

TABLE OF CONTENTS

Account Number: _____ Discount %: _____

INTRODUCTION

| | |
|--|--------------|
| Introduction and Contact Information | ii |
| Online Ordering, Catalog Offerings and Social Media | iii |
| Bulldog Master Distributor and Ordering Information | iv - v |
| Freight Information | vi - vii |
| Hercules Ordering Information and Terms and Conditions | viii - ix |
| Credit Application | x |
| Seals On Demand Index | xi |
| Inch and Metric Seal Index | xii - xli |
| Repair Accessories | xlii - xliii |
| Kits and Tools | xliv - xlvi |
| Typical Sealing Components | xlvi |

CUSTOM SEALS

| | |
|-----------------------------------|--------|
| Index | 1 |
| Seals On Demand Information | 2 - 10 |

INCH SEALS

| | |
|------------------------------------|-----------|
| Index | 11 |
| O-Ring Size Chart | 340 - 343 |
| Metric/Inch Conversion Table | 446 |

METRIC SEALS

| | |
|--|-----------|
| Index | 447 |
| O-Ring Size Chart for Metric Seals | 700 - 701 |

REPAIR ACCESSORIES

| | |
|--------------------------|-----------|
| Index | 739 |
| Repair Accessories | 740 - 758 |

ASSORTMENT KITS AND TOOLS

| | |
|-----------------------|-----------|
| Index | 759 |
| Assortment Kits | 772 - 779 |
| Tools | 780 - 794 |

APPENDIX

| | |
|-----------------------------|-----------|
| Index | 795 |
| Technical Information | 796 - 818 |

COPYRIGHT © 2016 HB Sealing Products, Inc. All Rights Reserved.

Any use of the contents of this publication without the written permission of HB Sealing Products, Inc. is strictly prohibited.

All trademarks mentioned belong to their respective owners. Prices in this catalog supersede those found in the Hercules Sealing Products 2015 Seal, Kit, and 13th Edition Cylinder Catalogs. Prices are subject to change at any time. Go to www.Herculesus.com to view current pricing.



HERCULES SEALING PRODUCTS



US - Introduction

The Corporate Office of Hercules® Sealing Products is located in Clearwater, Florida. Hercules® is an ISO 9001 registered distributor of hydraulic and pneumatic seals, seal kits, repair parts, engine and transmission gaskets, and replacement cylinders for mobile and industrial applications. Hercules® provides seal products used in hydraulic cylinders to a variety of industries for equipment such as: construction, mining, aerial lift and crane, dump and refuse trucks, material handling, industrial plant applications, paving, agriculture, and logging equipment. Industry-leading technical catalogs provide application, dimensional, material specifications and product pricing.

A technical sales force with 8:00 a.m. to 7:30 p.m. ET hours of operation and an engineering department will provide you with unparalleled technical service. Additional value added services include reduced freight rates, special packaging, wide selection of aftermarket seal kits, largest in-stock inventory in the industry, and same day shipping on orders before 7:00 p.m. ET. Cylinder repair parts such as cylinders, power units, and cylinder rebuilding accessories are also available.

Hercules® Sealing Products offers products from the leading suppliers in the fluid power industry. These suppliers are continually rated and monitored based on the quality of their products. This process enables Hercules® to exceed our goal to deliver the highest quality products and services in the industry.

1016 North Belcher Road
Clearwater, FL 33765
www.HerculesUS.com

Phone:
1-800-777-5617
727-796-1300

Fax: 1-800-759-6391
Intl Fax: 727-797-8849
Email: Sales@HerculesUS.com

Online Ordering - www.HerculesUs.com

Placing orders on the Hercules® website is a fast and easy alternative to calling or faxing in your orders. Simply place items in the shopping cart and register during the checkout process, or click the “register” button on the upper right-hand corner of the homepage to start the process prior to shopping. First-Time visitors need to fill out a short profile to view company specific discounts and inventory. To shop quickly, click the "Quick Order Entry" button on the left side menu and add items by part number directly into your shopping cart. For website assistance, e-mail our Help Desk at HelpDesk@HerculesUS.com, click the **Live Chat**, or call **727-796-1300**.

Sign-up for the Hercules e-newsletter, found at the bottom of the homepage, to receive notice of web-only specials, new product announcements and industry specific articles.



Catalog Offerings

Kit Catalog - The Hercules® Kit Catalog contains hydraulic and pneumatic seal kit information for both in-plant and mobile applications. Complete cylinder repair kits are listed from over 140 different brands of equipment for construction, mining, aerial lift and crane, logging, refuse, agriculture, paving, material handling and industrial plant applications. In addition, a cylinder application reference guide is available to simplify your selection.

Cylinder and Repair Parts Catalog - The Hercules® Cylinder Catalog is packed with valuable information cylinder replacement and repair parts. It also features our very own HTR, HSTR, HMW, HCW, HTC, and Snow Plow cylinders as well as telescopic cylinders, power units, and cylinder repair parts.



Hercules Social Media

Get connected to Hercules® Sealing Products - Go to the Hercules website at www.HerculesUs.com to link directly to our Facebook, Twitter, Linked In and Hercules YouTube Channel.

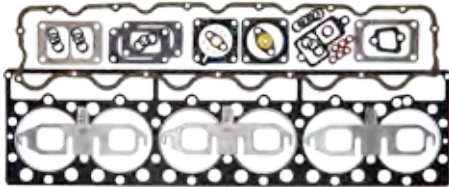




Hydraulics & Gaskets

AUTHORIZED MASTER DISTRIBUTOR

ENGINE AND TRANSMISSION GASKETS



- **Engine Gasket & Gasket Group**
- **Head Gasket**
- **Crankshaft Seals**
- **Oil Seals**
- **Ferrule Seals**
- **Pre-Combustion Chamber Seals**
- **Oil Pan Gaskets**
- **Fuel Injection Pump Seal Groups**
- **Water Pump Seal Kits & Seals**
- **Transmission Gaskets & Gasket Groups**
- **Steering Clutch Seals**
- **Transmission Thrust Washers & Seals**
- **O-Ring & O-Ring Kits**
- **Air Conditioning Seals**
- **Custom Gasket & Gasket Groups**

HYDRAULIC SEALS AND KITS



- **Hydraulic Cylinder Seal Kits**
- **Suspension, Hoist & Steering Cylinder Truck Seal Kits**
- **Hydraulic Cylinder Lock Nuts - metric & Inch Standard**
- **Hose Coupling Seals & Kits**
- **Hinge Pin Seals**
- **Rod Seals, Rod Bearings, Rod Wipers, Piston Seals, Wear Rings, O-Rings, Back-Up Rings, Port Seals**
- **Hydraulic Piston Pump Seal Kits**
- **Hydraulic Vane Pump Seal Kits**
- **Valve Body Seals & Gaskets**
- **Track Adjuster Seal Kits & Spring Pilot Seals**

Hercules Sealing Products is proud to be appointed as the Authorized Master Distributor of Bulldog® Engine Gasket and Hydraulic Seal Kit products for the United States and Latin America.

Hercules and Bulldog management are confident that your business can be more comprehensively served by the Hercules sales team and warehouse operations. Hercules Sealing Products has over 45 inside and outside regional domestic and international sales associates. This team has been trained in Bulldog products and is available to support your current business needs.

It is an honor for Hercules to be entrusted with your business, and it is our goal to maintain or exceed the service level that you have been accustomed to from Bulldog Hydraulics and Gaskets. To this end, Bulldog and Hercules utilize the same ERP system. This means that all of your order history and pricing is completely accessible by the Hercules sales team to ensure your orders are processed correctly.

The Hercules Sealing Products Engineering and Technical Staff is knowledgeable in the Bulldog® Hydraulic & Gasket product lines. Bulldog products offer an extensive range of kits for the repair of hydraulic cylinders, diesel engines, and transmissions. Our experience with sealing and gasket products, as well as our strong relationship with Bulldog, will enable us to provide you with exceptional technical support. The ability to provide recommendations based upon Hercules Sealing Products design standards, in addition to analyzing existing designs for potential improvements, are just some of the many advantages our technical staff can offer you.

United States
Phone 800.777.5617
Fax 800.759.6391

Latin America
Phone: 1.727.812.2793
Fax: 1.727.797.8849

www.HerculesUS.com
sales@herculesus.com
Hours: M-F 8:00am - 7:30pm EST



Product Offerings

Hercules Sealing Products now stocks and maintains a large inventory of Bulldog® gasket, transmission and hydraulic sealing products. Gasket sealing products such as head gaskets, pan gaskets, front and rear cover gaskets, crank shaft seals, oil seals and other sealing products normally replaced during an engine rebuild complete our current product line. We offer hydraulic sealing items such as rod seals, rod wipers, rod bearings, piston seals, wear rings, o-rings, back-up rings, and vee-packings. Also available are transmission sealing products such as seal rings, thrust washers, gaskets, TFE Lip seals and o-rings. These items are immediately available from stock. Bulldog items are designed and manufactured for the critical, heavy duty applications in hydraulic cylinders, transmissions and engines. Special attention is paid to the proper selection of materials based upon the specific equipment application. This engineering focus allows us to provide our customers with the most successful solutions to the broadest range of sealing applications.



Placing Your Bulldog Order

Ordering Bulldog Hydraulic, Gasket and All In One Kits has never been easier.

- Order Online: www.HerculesUS.com
- By Phone: 800.777.5617 or 1.727.812.2793
- By Fax: 800.759.6391 or 1.727.797.8849

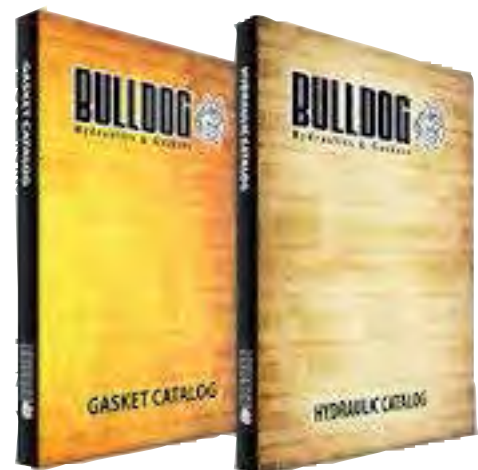


Catalog Offerings

All Bulldog Catalogs can be ordered free of charge online at www.HerculesUS.com or by calling your regional sales staff at 1-800-777-5617.

Gasket Catalog - The Bulldog Gasket Catalog is broken down into three sections for easy selection: Vehicular, Non-Vehicular and Transmission Sections.

Hydraulic Catalog - The Bulldog Hydraulic Cylinder Catalog contains all the necessary sealing components required to perform a normal hydraulic cylinder overhaul. Kit application charts are included to assist in the selection of proper hydraulic cylinder repair kits for the equipment listed.



Freight Information

Low cost air and ground shipments available world wide. Guaranteed service available (restrictions apply to select zip codes.) One Call to Hercules® Sealing Products gets you top quality seal and repair products, cost saving freight rates, and a wide variety of delivery services to save you time and money! Hercules® pays the dimensional weight charges for air US shipments on boxes up to 13" cubed (additional accessorail charges may apply).



United States Postal Service Priority Flat-Rate Options

If It Fits, It Ships for One Low Rate - Anywhere in the Continental United States!

The United States Postal Services is available as a delivery option for all domestic locations. Your flat-rate options are as follows: Small padded envelope, medium and large boxes. When placing your order online at www.HerculesUS.com the envelope or box that would best fit your shipment size will appear on the Shipping and Payment screen. Orders placed via phone or fax will be determined by your regional sales representative. **Shipments placed by 1pm EST will ship the same day.**

\$7.15*

Priority Flat-Rate Envelope
12-1/2 x 9-1/2 or
8-5/8 x 5-3/8 x 1-5/8



\$13.45*

Priority Flat-Rate
Medium Box
11" x 8 1/2" x 5 1/2"



\$17.70*

Priority Flat-Rate
Large Box
12" x 12" x 5 1/2"



* Includes a \$1.50 shipping and handling charge.

UPS and FedEx Special Discounted Rates

These discounted rates offer significant savings on shipments for zones 103 and up (additional accessorial charges may apply).



NEXT DAY AIR (1-7 lbs.)

| Package Weight | Rate |
|----------------|----------|
| 1 LB. | \$ 29.75 |
| 2 LBS. | 31.50 |
| 3 LBS. | 33.00 |
| 4 LBS. | 35.25 |
| 5 LBS. | 40.25 |
| 6 LBS. | 42.75 |
| 7 LBS. | 48.25 |

8LBS. AND UP - PUBLISHED UPS RATES.



NEXT DAY AIR (1-7 lbs.)

| Package Weight | Rate |
|----------------|----------|
| 1 LB. | \$ 29.75 |
| 2 LBS. | 31.50 |
| 3 LBS. | 33.00 |
| 4 LBS. | 35.25 |
| 5 LBS. | 40.25 |
| 6 LBS. | 42.75 |
| 7 LBS. | 48.25 |

8LBS. AND UP - PUBLISHED FEDEX RATES

UPS GROUND TRANSIT MAP

Call for Rates.



FEDEX GROUND TRANSIT MAP

Call for Rates.



Order Cut-Off Times

At Hercules, we understand the importance of getting your equipment fixed fast! Therefore, it is imperative that you receive your shipments on-time. Orders placed by the following cut-off times will ship the same day. All cut-off times are based on Eastern Time Zone.

| Order Cut-Off Times | Freight Carriers |
|---------------------|---------------------------------------|
| 1:00 pm | United States Postal Service |
| 3:30 pm | Ground (UPS and FedEx - excluding FL) |
| 3:30 pm | LTL Truck Carriers |
| 3:30 pm | 3-Day Select (UPS and FedEx) |
| 3:30 pm | International (FedEx Intl. and DHL) |
| 5:00 pm | FedEx Next Day Air |
| 5:00 pm | Florida Ground (UPS and FedEx) |
| 5:00 pm | 2nd Day Air FedEx |
| 7:00 pm | UPS Next Day Air |
| 7:30 pm | 2nd Day Air UPS |

HERCULES® ORDERING INFORMATION

DOMESTIC CUSTOMER SERVICE

SATISFACTION

Total customer satisfaction is our goal. Please call with any questions or problems. Your input helps us to improve our service. We want to be your most reliable supplier.

HOW TO OPEN AN ACCOUNT WITH US - SAME DAY CREDIT APPROVAL

1. Copy and fill out the credit application found on page X of this catalog.
2. Fax completed and signed Credit Application and your sales tax exempt certificate (if applicable) for processing to 1-800-759-6391.
3. We will fax or email an open account letter. — If you need additional information call our Accounting Department at 1-800-244-5617.

HOW TO ORDER FROM US

Hercules® offers Toll Free phone and fax lines to make ordering as easy as possible. We encourage faxing your order to us Toll Free at 1-800-759-6391 to eliminate any possible error. Our technical sales staff is also available TOLL FREE from 8 a.m. to 8 p.m. E.S.T. to take your order, assist you in finding the correct part, or answer any questions you may have. You may also mail your order or use Hercules® Toll Free Fax.

SHIPMENT / DELIVERY

Every order we receive is classified as a RUSH. You tell us how fast you need it. Shipping agreements with UPS and FedEx allow us to offer substantial freight discounts.

PRICE QUOTATIONS/NON-CATALOG ITEMS

Hercules® is constantly adding parts to inventory. If you need a part that is not listed in our catalog, call, fax, or send us a sample of the part you need, roughly how many pieces are required, and we will source, quote, order, and stock the parts for you. Call or fax us anytime for price and delivery on hard-to-find or non-catalog items. Formal quotations for product and freight costs are gladly furnished upon request.

CREDIT CARDS

Hercules® now accepts the following credit cards: Mastercard, Visa, American Express, American Express Corporate Procurement.

INTERNATIONAL CUSTOMER SERVICE

MAILING ADDRESS

HERCULES® SEALING PRODUCTS
1016 North Belcher Road
Clearwater, FL 33765 USA

PHONE / FAX NUMBERS

PHONE: (727) 796-1300
FAX: (727) 797-8849

E-MAIL/WEBSITE

hercules@herculesus.com
<http://www.herculesus.com>

PAYMENT

Payment for all products must be in U.S. dollars.

PLACING ORDERS FOR SHIPMENT

1. Fax, mail, email or telephone order to HB Sealing Products, specifying method of shipment.
2. HB Sealing Products will fax or email order value to you. All prices are in U.S. dollars.
3. Wire transfer funds to: HB Sealing Products, Inc.
Fifth Third Bank
Cincinnati, OH USA
All orders must be paid for in U.S. dollars.
Call For Account, Routing and Swift Numbers
4. Payment will be accepted in the form of a wire transfer (in advance), on a letter of credit, or a U.S.A. credit card (Mastercard, Visa, American Express)



SHIPMENT / DELIVERY

Hercules® will gladly ship by the carrier of your choice. Please specify any special shipping requirements you may have. All shipments are Ex-Works Clearwater, FL, USA, unless otherwise specified or prearranged. Additional charges may be incurred for inbound freight and/or special packaging.

PRICE QUOTATIONS/NON-CATALOG ITEMS

Call, fax, or email us anytime for price and delivery. Formal quotations are gladly furnished upon request.

QUALITY

Hercules® has achieved a worldwide reputation as an organization committed to providing products and services that continually meet or exceed the needs and expectations of our customers. Hercules® is an ISO 9001 registered company.

ANTI-DEFAMATION POLICY

All equipment manufacturer's names, part numbers, and descriptions are used for reference purposes only. We do not imply that any part shown is the product of these manufacturers. We also do not imply that the list price shown is exactly that of the manufacturer.

TERMS AND CONDITIONS

BACKORDERS

Backorders will ship as ordered and additional freight charges will apply. Cancellation of backorders must be requested at the time of order to prevent additional freight charges. All backorders less than \$5.00 will be automatically canceled unless specified otherwise by the customer at the time of order.

CREDITS

Our payment terms for all open accounts are NET 30 days. Accounts outstanding over 30 days are reviewed daily. At 45 days past due (75 days from invoice date) all orders and backorders will automatically be put on credit hold until full payment is received.

RETURNS

Before you return any item, please call our customer service desk to obtain a Return Material Authorization (RMA) Number. Returned shipments without a Returned Material Authorization (RMA) number will be rejected. Our Receiving Department cannot accept a return without an RMA Number. Parts must be returned within 30 days of receipt of goods. Returned items are subject to a 20% restocking charge. All returns are subject to inspection by our Quality Control Department and may be rejected if not in resalable condition. Special order items are non-returnable.

CLAIMS

It is the policy of HB Sealing Products that inquiries for pricing discrepancies, order discrepancies, freight claims and customer returns must be reported to Hercules Sealing Products Customer Service within 30 days of invoice. Claims/discrepancies reported after 30 days of invoice will not be honored.

ORDER CANCELLATIONS

Orders for Standard Cataloged Products will not be canceled once processed. All custom supplied, non-cataloged products cannot be canceled. Additional cancellation charges may apply.

EXCLUSION OF WARRANTIES; LIMITATIONS OF DAMAGES

EXCEPT AS PROVIDED IN THE NEXT SECTION (TITLED "HERCULES BRAND PRODUCTS CYLINDER WARRANTY") ANY WARRANTIES ON THE PRODUCTS SOLD BY HB SEALING PRODUCTS ARE THOSE MADE BY THE MANUFACTURER. EXCEPT AS PROVIDED IN THE "HERCULES BRAND PRODUCTS CYLINDER WARRANTY", HB SEALING PRODUCTS HEREBY EXPRESSLY DISCLAIMS ALL WARRANTIES, EITHER EXPRESS OR IMPLIED, INCLUDING ANY IMPLIED WARRANTY OF MERCHANTABILITY OR FITNESS FOR A PARTICULAR PURPOSE. HB SEALING PRODUCTS NEITHER ASSUMES NOR AUTHORIZES ANY OTHER PERSON TO ASSUME FOR IT ANY LIABILITY IN CONNECTION WITH THE SALE OF ITS PRODUCTS.

IN NO EVENT SHALL HB SEALING PRODUCTS BE LIABLE TO BUYER FOR ANY INDIRECT, SPECIAL, OR CONSEQUENTIAL DAMAGES, INCLUDING (WITHOUT LIMITATION) LOST PROFITS, COSTS OF DELAY, PERSONAL INJURY, PROPERTY DAMAGE OR LIABILITIES TO BUYER OR THIRD PARTIES ARISING FROM ANY SOURCE. THIS LIMITATION ON DAMAGES SHALL APPLY TO ALL PRODUCTS SOLD BY HB SEALING PRODUCTS, INCLUDING HERCULES BRAND PRODUCTS CYLINDERS. IN THE EVENT, THAT, NOTWITHSTANDING THE TERMS OF THIS SECTION, HB SEALING PRODUCTS IS FOUND LIABLE FOR DAMAGES BASED ON ANY DEFECT OR NONCONFORMITY IN PRODUCTS SOLD BY IT, INCLUDING HERCULES BRAND PRODUCTS CYLINDERS, ITS TOTAL LIABILITY FOR EACH DEFECTIVE OR NONCONFORMING PRODUCT SHALL NOT EXCEED THE PRICE PAID BY BUYER FOR SUCH DEFECTIVE PRODUCT.

HERCULES® BRAND PRODUCTS CYLINDER WARRANTY

HB Sealing Products herein supplies a limited express warranty to its buyers who purchase standard or custom Hercules Brand Products Cylinders ("Cylinders"). HB Sealing Products warrants that such Cylinders are free from defects in material and workmanship for a period of 12 months from the date the Cylinders are shipped from HB Sealing Products' facility. HB Sealing Products will repair or replace, at its sole option, Cylinders that are found to be defective in material or workmanship upon inspection by HB Sealing Products personnel when the Cylinders have been used under conditions for which the Cylinders were designed to operate. No warranty will be in effect for any of the following reasons:

- Chemical attack, corrosion or erosion;
- Non-compatible or dirty hydraulic fluid;
- Seal degradation due to contamination (including hydraulic fluids), excessive heat or misapplication;
- Excessive side loading;
- Maintenance or disassembly of the cylinder if performed by anyone other than HB Sealing Products personnel without HB Sealing Products' permission, prior to the date of warranty expiration;
- Removal of the HB Sealing Products ID tag indicating bore, stroke, and other information concerning traceability; or Instances of improper installation or misapplication of the Cylinders.

Due to the variety of operating conditions and applications for the Cylinders and HB Sealing Products' related products, HB Sealing Products recommends that Buyer analyze all aspects of the application and carefully select the correct cylinder product to fit the buyer's application. Buyer is solely responsible for the cylinder product selection in assessing that all performance, safety and warning requirements of the application are met. **IMPROPER CYLINDER PRODUCT SELECTION, MISAPPLIED ENGINEERING OR IMPROPER USE OF THE CYLINDERS AND RELATED PRODUCTS DESCRIBED HEREIN MAY CAUSE DEATH, PERSONAL INJURY AND/OR PROPERTY DAMAGE.** HB Sealing Products does not imply or represent that the Cylinders will work properly in any customer application. No sales agent of HB Sealing Products shall have the right to determine warranty periods, terms or conditions for Cylinders if such statements by the sales agents are different from those included herein. Buyer understands that HB Sealing Products will not be held liable for any other costs or damages including any charges for removal, installation, assembly or any other charges in connection with the replacement or repair of the Cylinders. All returned products must have, before being returned to HB Sealing Products, an "RMA" (return material authorization) number assigned to it by HB Sealing Products' customer service department.

THE WARRANTY STATED IN THIS SECTION IS HB SEALING PRODUCTS' SOLE AND EXCLUSIVE WARRANTY PERTAINING TO THE CYLINDERS, AND HB SEALING PRODUCTS HEREBY DISCLAIMS ANY OTHER WARRANTY, EXPRESS OR IMPLIED, INCLUDING, WITHOUT LIMITATION, ANY WARRANTY OF MERCHANTABILITY OR FITNESS FOR A PARTICULAR PURPOSE FOR THE CYLINDERS.



Hercules Sealing Products
1016 North Belcher Road
Clearwater, FL 33765 USA

CREDIT APPLICATION

Toll Free: 1-800-777-5617
International: (727) 796-1300
Fax: (800) 759-6391
Intl Fax: (727) 797-8849
E-Mail: sales@herculesus.com

| |
|--|
| Please Indicate Type of Request: <input type="checkbox"/> Catalog <input type="checkbox"/> COD <input type="checkbox"/> Credit Card <input type="checkbox"/> Net 30 |
|--|

COMPANY INFORMATION

Company Name: _____

Billing Address: _____ City: _____ State: _____ Zip: _____

Shipping Address: _____ City: _____ State: _____ Zip: _____

Branch Office: _____ DBA: _____

Phone: _____ Fax: _____

Business Structure (Sole Ownership, Partnership, Corporation): _____

Type of Business: _____ Year Business Established: At current Address Since: _____

Federal ID#: _____ President/Owner SSN: _____

Owner/President: _____

Primary Contact Person: _____ Title: _____

Controller: _____ Annual Purchases: _____

Website: _____ E-Mail: _____

Primary Industry: Construction Mining Refuse/Waste Material Handling Aerial Lift/Crane Agriculture Oil and Gas
(Check One) Concrete/Paving Logging/Forestry Industrial Plant Automotive/Marine Rental Equipment

BANK REFERENCES

Bank Name and Address: _____

Account #: _____ Contact Name & Phone: _____

TRADE REFERENCES

Firm Name: _____ City, State: _____ Phone/Fax: _____

1: _____

2: _____

3: _____

CREDIT AGREEMENT

I understand the following and will abide by your company regulations:

1. Notify Hercules Sealing Products of any changes in ownership of your company.
2. If granted credit, our company agrees to pay all invoices within 30 days of invoice date.
3. It is agreed that our company will pay 1.5% per month which is 18% yearly for all past due balances.
4. It is agreed that our account will become COD if we fail to pay invoices within the above stated terms.
5. Our company financial condition is satisfactory and we can meet all financial obligations.
6. There are no lawsuits or judgements against me at this present time. If our company defaults on payment of any outstanding valid invoices we agree to pay attorney and/or collection expenses.

| |
|--------------------------------|
| Credit Amount Requested |
| |

AGREE TO PAY MY ACCOUNT WITHIN THE TERMS AND AUTHORIZE YOU TO OBTAIN SUCH INFORMATION YOU MAY REQUIRE CONCERNING THIS APPLICATION.

Date _____ Signed _____

X _____ Title _____

PERSONAL GUARANTEE

REFERRAL INFORMATION

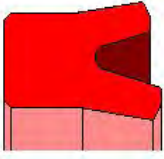
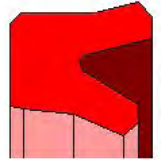

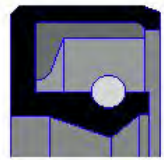
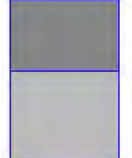
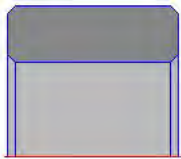
How did you learn about Hercules Sealing Products? Please choose one and provide detailed information:

Trade Show: _____ Magazine: _____ Previous Employer: _____

Hercules Customer: _____ Website or Search Engine: _____ Other: _____



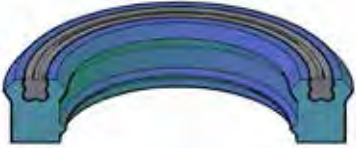







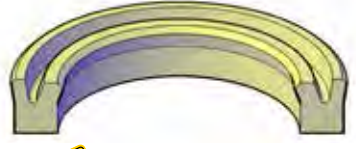







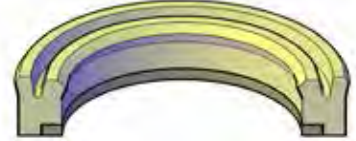

SEAL PROFILE INDEX

CUSTOM SEALS

| Type | Prefix | Product Image | Seal Name | Material | Page # |
|------------------------------|--|---|-------------------------------|--|--------------|
| PISTON SEALS | DK SERIES (35 PROFILES) |  | Piston Seals | NBR, Urethane, PTFE and Fluorocarbon | 3 - 4 |
| ROD SEALS | DS SERIES (32 PROFILES) |  | Rod Seals | NBR, Urethane, PTFE and Fluorocarbon | 4 - 5 |
| WIPER RINGS | DA SERIES (19 PROFILES) |  | Wiper Rings | NBR, Urethane, PTFE and Fluorocarbon | 5 - 6 |
| ROTARY SEALS | DR SERIES (24 PROFILES) |  | Rotary Shaft Seals | NBR, Urethane, PTFE and Fluorocarbon | 6 - 7 |
| GASKET / BACKUP RINGS | DFL & DST SERIES (12 PROFILES) |  | Gasket / Back-up Rings | POM, Urethane, PTFE and Nylon | 8 |
| GUIDE-RINGS | DF SERIES (8 PROFILES) |  | Guide Bands | POM, PTFE and Nylon | 8 |

SEAL PROFILE INDEX

INCH SEALS

| Type | Prefix | Product Image | Profile | Material | Temp | Pressure | Speed | Page # |
|--------------------|--|---|---|--|-------------------|------------------|-----------------|---------|
| ROD U-SEALS | RTUB Super-Duty Rod U-Seals |  |  | Urethane Seal Rubber Energizer Polyacetal Ring | -50° - +230° F | 0 - 6,000 PSI | 3 FT/SEC | 12 - 14 |
| | RTUL Quad Ring Loaded Rod U-Seals |  |  | Urethane Seal Rubber Energizer | -40° - +225° F | 0 - 5,000 PSI | 3 FT/SEC | 15 |
| | RTU Asymmetric Twin Lip Rod U-Seals |  |  | Urethane | -40° - +225° F | 0 - 5,000 PSI | 3 FT/SEC | 16 - 21 |
| | RU9 Urethane Rod U-Seals |  |  | Urethane | -31° - +270° F | 0 - 5,800 PSI | 1.65 FT/ SEC | 22 - 23 |
| | RU Urethane Rod U-Seals |  |  | Urethane | -40° - +200° F | 0 - 5,000 PSI | 3 FT/SEC | 24 - 25 |
| | DRU Heavy Duty Rod U-Seals |  |  | Urethane | -65° - +230° F | 0 - 6,000 PSI | 3 FT/SEC | 26 - 29 |
| | DRU-BHT Heavy Duty Rod U-Seals |  |  | Urethane | -31° - +250° F | 0 - 7,250 PSI | 1.5 FT/ SEC | 30 - 31 |
| | DRTU Heavy Duty Rod U-Seals |  |  | Urethane | -65° - +230° F | 0 - 6,000 PSI | 3 FT/SEC | 32 - 34 |
| | DRTU-BHT Heavy Duty Rod U-Seals |  |  | Urethane | -31° - +250° F | 0 - 7,250 PSI | 1.5 FT/ SEC | 35 - 37 |
| | DRUB Heavy Duty Rod U-Seals w/Back-Up Rings |  |  | Urethane Seal Nylon Back- Up | -40° - +230° F | 0 - 6,000 PSI | 3 FT/SEC | 38 |


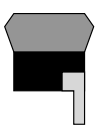



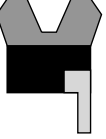


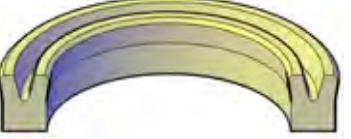





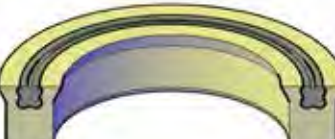





SEAL PROFILE INDEX

INCH SEALS

| Type | Prefix | Product Image | Profile | Material | Temp | Pressure | Speed | Page # |
|-----------------------|--|---------------|---------|--|---|---|----------------|----------------|
| ROD U-SEALS | UFN-EI Rod Seals w/Back-Up Rings | | | Nitrile Seal, Fabric Rein- forced Base, Acetal Back-Up | -22° - +212° F | 0 - 5,800 PSI | 1.5 FT/ SEC | 39 - 40 |
| | UFN-BR Rod Seals w/Headers | | | Rubber, Fabric, Polyester Elastomer | -22° - +212° F | 1.64 FPS / 3600 PSI 0.49 FPS / 5800 PSI | 1.5 FT/ SEC | 41 |
| | UFN-EI-SAG Rod Seals w/Back-up Rings | | | Rubber, Fabric, Acetal | -22° - +212° F | 1.64 FPS / 3600 PSI 0.49 FPS / 5800 PSI | 1.5 FT/ SEC | 42 |
| | UFN-WI Rod Seal w/Clip on Bearing | | | Rubber, Fabric, Acetal | -22° - +212° F | 1.64 FPS / 3600 PSI 0.49 FPS / 5800 PSI | 1.5 FT/ SEC | 43 |
| | HMU Urethane U-Seals | | | Urethane | -40° - +200° F | 0 - 5,000 PSI | 3 FT/SEC | 44 - 45 |
| | HMU Homoge- neous U-Seals | | | Buna-N Rubber Fluorocarbon | BUNA-N: -40° - +250° F FC: -20° - +400° F | BUNA-N: 0 TO 1,000 PSI FC: 0-2,000 PSI | 3 FT/SEC | 46 - 47 |
| | UKR Rod U-Seals | | | Urethane | -40° - +200° F | 0 - 150 PSI | 3 FT/SEC | 48 - 49 |
| PISTON U-SEALS | DPU Heavy Duty Piston U-Seals | | | Urethane | -65° - +230° F | 0 - 6,000 PSI | 3 FT/SEC | 50 - 54 |
| | DPU-BHT Heavy Duty Piston U-Seals | | | Urethane | -31° - +250° F | 0 - 7,250 PSI | 1.5 FT/ SEC | 55 - 56 |
| | PU Piston U-Seals | | | Urethane | -40° - +225° F | 0 - 5,000 PSI | 3 FT/SEC | 57 - 58 |

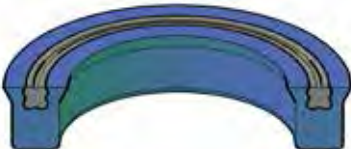












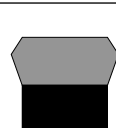






SEAL PROFILE INDEX

INCH SEALS

| Type | Prefix | Product Image | Profile | Material | Temp | Pressure | Speed | Page # |
|-----------------------|---|---|---|--|----------------|---------------|-------------|-----------|
| PISTON U-SEALS | UFN-PWO Piston Seals |  |  | Rubber / Fabric Seal, Acetal Back-Up Bearing | -22° - +212° F | 0 - 5,800 PSI | 1.5 FT/ SEC | 59 - 60 |
| | UFN-UEO Piston U-Seals |  |  | Rubber / Fabric Seal, Acetal Back-Up Bearing | -22° - +212° F | 0 - 5,800 PSI | 1.5 FT/ SEC | 59 - 60 |
| | UFN-UWO Piston U-Seals |  |  | Rubber / Fabric Seal, Acetal Back-Up Bearing | -22° - +212° F | 0 - 5,800 PSI | 1.5 FT/ SEC | 59 - 60 |
| | UKP Piston U-Seals |  |  | Urethane | -40° - +200° F | 0 TO 150 PSI | 3 FT/ SEC | 61 - 62 |
| U-SEALS | DSU Heavy Duty Symmetrical U-Seals |  |  | Urethane | -40° - +230° F | 0 - 4,000 PSI | 3 FT/ SEC | 63 - 72 |
| | DSU-BHT Heavy Duty Symmetrical U-Seals <i>NEW FOR 2015</i> |  |  | Urethane | -31° - +250° F | 0 - 5,000 PSI | 1.5 FT/ SEC | 73 - 74 |
| | HU Symmetrical Urethane U-Seals |  |  | Urethane | -40° - +200° F | 0 - 5,000 PSI | 3 FT/ SEC | 75 - 80 |
| | UPU Premium U-Seals |  |  | Urethane | -65° - +265° F | 0 - 5,000 PSI | 3 FT/ SEC | 81 - 83 |
| | U U-Seals |  |  | Urethane Seal Rubber Expander | -40° - +200° F | 0 - 5,000 PSI | 3 FT/ SEC | 84 - 113 |
| | U-PM U-Seals |  |  | 55D Hytrel Seal FKM Energizer | -65° - +275° F | 0 - 5,000 PSI | 3 FT/ SEC | 114 - 116 |











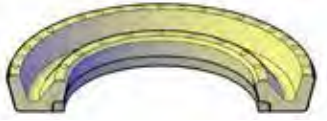





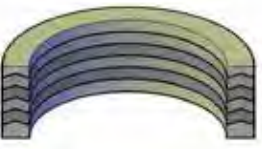



SEAL PROFILE INDEX

INCH SEALS

| Type | Prefix | Product Image | Profile | Material | Temp | Pressure | Speed | Page # |
|----------------|---|---|---|-------------------------------------|--|--|-------------|-----------|
| U-SEALS | U-HT High-Temperature U-Seals |  |  | Urethane Seal Rubber Expander | -40° - +250° F | 0 - 5,000 PSI | 3 FT/ SEC | 117 - 118 |
| | U-V U-Seals |  |  | Fluorocarbon | -20° - +400° F | 0 - 2,000 PSI | 3 FT/ SEC | 119 - 124 |
| | U-Z Z-Seals |  |  | Urethane Base Rubber Lip | -40° - +200° F | 0 - 5,000 PSI | 3 FT/ SEC | 125 - 130 |
| | P U-Seals |  |  | Urethane Seal Rubber Expander | -40° - +200° F | 0 - 5,000 PSI | 3 FT/ SEC | 131 - 145 |
| | P-V U-Seals |  |  | Fluorocarbon | -20° - +400° F | 0 - 2,000 PSI | 3 FT/ SEC | 146 - 147 |
| | 855 PRC Rings |  |  | Urethane | -40° - +200° F | 0 - 5,000 PSI | 3 FT/ SEC | 148 - 149 |
| | UFN-P Symmetrical Plain Seals |  |  | Nitrile Seal Fabric Reinforced Base | -22° - +212° F | 0 - 2,900 PSI | 1.5 FT/ SEC | 150 - 152 |
| | 870 U-Seals |  |  | Buna-N Rubber | -40° - +240° F | 0 - 500 PSI | 3 FT/ SEC | 153 - 155 |
| | HRU Homogeneous U-Seals |  |  | Buna-N Rubber Fluorocarbon | BUNA-N: -40° - +250° F FC: -20° - +400° F | BUNA-N: 0 - 1,250 PSI FC: 0-2,000 PSI | 3 FT/ SEC | 156 - 160 |
| | HSU Homogeneous U-Seals |  |  | Buna-N Rubber Fluorocarbon | BUNA-N: -40° TO +250° F FC: -20° TO +400° F | 0 - 2,000 PSI | 3 FT/ SEC | 161 - 163 |

SEAL PROFILE INDEX

INCH SEALS

| Type | Prefix | Product Image | Profile | Material | Temp | Pressure | Speed | Page # |
|---------------------|--|---|---|---|---|--------------------------------------|-------------------------------|-----------|
| BUFFER SEALS | DYR Rod Buffer Seals |  |  | Urethane U-Seal Buffer Polyacetal Back-Up | -40° - +230° F | 0 - 8,000 PSI | 3 FT/ SEC | 164 - 165 |
| | DYR-BHT Rod Buffer Seals |  |  | Urethane Seal Polyacetal Ring | -31° - +250° F | 0 - 8,000 PSI | 1.5 FT/ SEC | 166 |
| | KR Rod Buffer Seals |  |  | PTFE Buffer Rubber Expander | -40° - +225° F | 0 - 5,000 PSI | 12 FT/ SEC | 167 - 168 |
| | KR-V Rod Buffer Seals |  |  | Bronze PTFE Buffer FKM Expander | -20° - +400° F | 0 - 5,000 PSI | 12 FT/ SEC | 169 - 170 |
| | RBS Rod Buffer Seals |  |  | Urethane | -40° - +200° F | 0 - 5,000 PSI | 3 FT/ SEC | 171 |
| | CTC Caterpillar® Specific Buffers |  |  | DYR Style, Urethane or Bronze Filled PTFE Buffer Rubber Expander | -22° - +230° F -40° - +200° F -40° - +220° F | 0 - 6,000 PSI 0 - 5,000 PSI | 3 FT/ SEC 12 FT/ SEC | 172 - 174 |
| | BRS Rod Buffer Seals |  |  | Bronze PTFE Buffer Rubber Expander | -40° - +220° F | 0 - 5,000 PSI | 15 FT/ SEC | 175 |
| VEE PACKING | HDLV Hydrolocking Vee Packing Sets |  |  | Hytrel & Nylon | -40° - +220° F | 0 - 6,000 PSI | 1.5 FT/ SEC | 176 - 178 |
| | VS Vee Packing |  |  | Rubber & Urethane, Fluorocarbon Ring Nylon Adap- tor | -35° - +220° F | 0 - 10,000 PSI | 1.5 FT/ SEC | 179 - 183 |
| | CAS Cascade® Specific Vee Packing |  |  | Rubber & Urethane Ring Nylon Adap- tor | -35° - +220° F | 0 - 10,000 | 1.5 FT/ SEC | 184 |




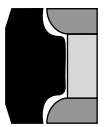

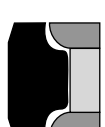

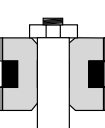

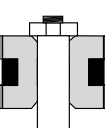

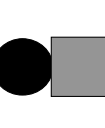

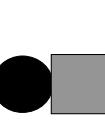

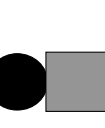


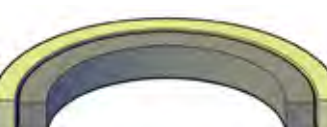
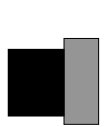
SEAL PROFILE INDEX

INCH SEALS

| Type | Prefix | Product Image | Profile | Material | Temp | Pressure | Speed | Page # |
|--------------------|--|---------------|---------|---|-----------------|---------------|-------------|------------------|
| VEE PACKING | VR Individual Vee Rings & Adaptors | | | Fabric Reinforced Rubber, Urethane & Nylon Ring | -35° - +220° F | 0 - 5,000 PSI | 1.5 FT/ SEC | 185 - 187 |
| | 935 Vee Rings | | | PTFE | -100° - +400° F | 0 - 5,000 PSI | 12 FT/ SEC | 188 |
| | 835 Homogeneous Rubber Vee Rings | | | 70 Durometer Buna-N Rubber | -40° - +220° F | 0 - 1,250 PSI | 3 FT/ SEC | 189 |
| | WV Styles 850 - 855 WV Packing | | | Fabric Reinforced Rubber & Buna-N Rubber | -40° - +250° F | SEE CHART | 1.5 FT/ SEC | 190 - 194 |
| PISTON CUPS | 6000 Piston Cups | | | Buna-N Rubber | -40° - +220° F | 0 - 150 PSI | 3 FT/ SEC | 195 - 196 |
| | 8000 Piston Cups | | | Urethane | -65° - +220° F | 0 - 1,200 PSI | 3 FT/ SEC | 197 |
| | 9000 Neo Fab Piston Cups | | | Fabric Reinforced Rubber | -35° - +220° F | 0 - 2,500 PSI | 1.5 FT/ SEC | 198 - 200 |
| | DAPC One Piece Double Acting Piston Cups | | | Rubber Lip Zinc Coated Steel Plate | -40° - +220° F | 0 - 800 PSI | 3 FT/ SEC | 201 |
| T-SEALS | TR Rod T-Seals | | | Hard Plastic Back-Up Buna-N Rubber Seal | -35° - +220° F | 0 - 5,000 PSI | 3 FT/ SEC | 202 - 203 |
| | TP Piston T-Seals | | | Hard Plastic Back-Up Buna-N Rubber Seal | -35° - +220° F | 0 - 5,000 PSI | 3 FT/ SEC | 204 - 207 |

SEAL PROFILE INDEX

INCH SEALS

| Type | Prefix | Product Image | Profile | Material | Temp | Pressure | Speed | Page # |
|-------------------------------|--|---|---|---|-------------------|------------------|----------------|------------------|
| T-SEALS | TP-L Locking Piston T-Seals |  |  | Hard Plastic Back-Up Buna-N Rubber Seal | -35° - +220° F | 0 - 5,000 PSI | 3 FT/ SEC | 208 - 209 |
| | CPS Capped Piston T-Seals |  |  | PTFE Cap Nylon Back- Up Rubber Expander | -40° - +220° F | 0 - 6,000 psi | 4.5 FT/ SEC | 210 - 212 |
| | CTC Piston T-Seals for Caterpillar |  |  | Buna-N Rubber Seal Hard Plastic Back-Up | -40° - +220° F | 0 - 6,000 psi | - | 213 |
| UNITIZED PISTONS | PA Unitized Pistons |  |  | Steel Piston Glass Filled PTFE Seal Rubber Expander | -40° - +230° F | 5,000 PSI | 3 FT/ SEC | 214 |
| | BOBCAT Unitized Pistons |  |  | Steel, Nylon, NBR, PTFE | -40° - +230° F | 0 - 5,000 PSI | 3 FT/ SEC | 215 |
| PISTON SEAL ASSEMBLIES | PS1400 Piston Seals |  |  | Glass Filled PTFE Piston Seal Rubber Expander | -40° - +220° F | 0 - 5,000 PSI | 12 FT/ SEC | 216 - 218 |
| | PS1704 Piston Seals |  |  | Glass Filled Polyester Rubber Energizer | -40° - +230° F | 0 - 5,000 PSI | 3 FT/ SEC | 219 - 220 |
| | PS1500 Piston Seals |  |  | Urethane Seal Rubber Expander | -40° - +200° F | 0 - 5,000 PSI | 3 FT/ SEC | 221 - 222 |
| | PS1600 Two Piece Piston Seals |  |  | Glass Filled PTFE Piston Seal Rubber Expander | -40° - +220° F | 0 - 5,000 PSI | 12 FT/ SEC | 223 - 224 |
| | PS1800 Seals |  |  | Glass Filled PTFE Piston Seal Rubber Expander | -40° - +220° F | 0 - 5,000 PSI | 12 FT/ SEC | 225 - 226 |


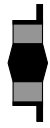

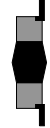


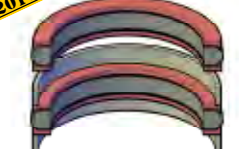









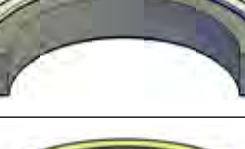



SEAL PROFILE INDEX

INCH SEALS

| Type | Prefix | Product Image | Profile | Material | Temp | Pressure | Speed | Page # |
|-------------------------------|---|---------------|---------|---|--|------------------|-----------------------------------|------------------|
| PISTON SEAL ASSEMBLIES | PS1850 Piston Seals | | | Bronze Filled PTFE Piston Seal Rubber Expander | -40° - +220° F | 0 - 5,000 PSI | 12 FT/ SEC | 227 - 228 |
| | PS1708 Piston Seals | | | Glass Filled Polyester Rubber Energizer | -40° - +230° F | 0 - 5,000 PSI | 3 FT/ SEC | 229 |
| | PS1900 Piston Seals | | | Glass Filled PTFE Seal Rubber Energizer | -40° - +220° F | 0 - 5,000 PSI | 12 FT/ SEC | 230 |
| | PS2700 Piston Seals | | | Glass / PTFE Filled Polyester Piston Seal Rubber Expander | -40° - +220° F | 0 - 5,000 PSI | 3 FT/ SEC | 231 - 232 |
| | PSQ Piston Seals | | | Bronze Filled PTFE Piston Seal Rubber Expander | -40° - +250° F | 0 - 5,000 PSI | 6 FT/ SEC | 233 - 234 |
| | PS2470 Piston Seals | | | Bronze Filled PTFE Piston Seal Rubber Expander | -40° - +220° F | 0 - 5,000 PSI | 12 FT/ SEC | 235 |
| | PS914 Step Cut Piston Seals | | | Glass Filled Nylon Piston Seal Rubber Expander | -40° - +220° | 0 - 6,000 PSI | 3 FT/ SEC | 236 - 237 |
| | PS2000 Step Cut Piston Seals | | | Glass Filled Nylon Piston Seal Rubber Expander | -40° - +220° F | 0 - 5,000 PSI | 3 FT/ SEC | 238 - 239 |
| | CTC Caterpillar® Two Piece Piston Seals | | | Glass Filled Nylon or Glass Filled PTFE Piston Seal Rubber Expander | -40° - +220° F -40° - +220° F | | 3 FT/ SEC 12 FT/ SEC | 240 - 241 |
| | PSA Piston Seals | | | Fabric Reinforced Piston Seal Polyacetal Anti-Extru- sion Ring | -22° - +212° F | 0 - 6,000 PSI | 1.5 FT/ SEC | 242 - 243 |












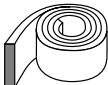
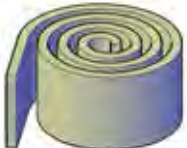
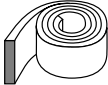

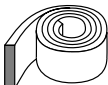
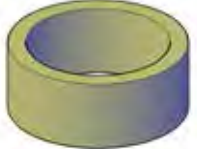



SEAL PROFILE INDEX

INCH SEALS

| Type | Prefix | Product Image | Profile | Material | Temp | Pressure | Speed | Page # |
|-------------------------------|---|---|---|--|-------------------|------------------|----------------|------------------|
| PISTON SEAL ASSEMBLIES | PSA-58 Three Piece Piston Seals |  |  | Fabric Reinforced Piston Seal Polyacetal Anti-Extru- sion Ring | -22° - +212° F | 0 - 5,000 PSI | 1.5 FT/ SEC | 244 - 245 |
| | PSA-59 Three Piece Piston Seals |  |  | Fabric Reinforced Piston Seal Polyacetal Anti-Extru- sion Ring | -22° - +212° F | 0 - 5,000 PSI | 1.5 FT/ SEC | 246 - 247 |
| | PSA-65 Piston Seals |  |  | Fabric Reinforced Piston Seal Polyacetal Anti-Extru- sion Ring | -22° - +212° F | 0 - 3,000 PSI | 1.5 FT/ SEC | 248 |
| | PSA-83 PSA-83-W Piston Seals |  |  | Nitrile Piston Seal Polyacetal Anti-Extru- sion Ring & Bearings | -22° - +212° F | 0 - 6,000 PSI | 1.5 FT/ SEC | 249 |
| | PSF Piston Seals |  |  | Rubber Seal PTFE Back-Up Polyacetal Anti-Extru- sion Ring | -22° - +212° F | 0 - 3,000 PSI | 3 FT/ SEC | 250 |
| | PSC Piston Seals |  |  | Urethane Seal Rubber Energizer | -40° - +200° F | 0 - 5,000 PSI | 3 FT/ SEC | 251 - 253 |
| | PSC-F Piston Seals |  |  | 95A Poly- urethane Seal 70A Nitrile Ener- gizer | -40° - +235° F | 0 - 5,000 PSI | 3 FT/ SEC | 254 |
| | PSM Two Piece Piston Seals |  |  | Urethane Seal Rubber Energizer | -40° - +200° F | 0 - 5,000 PSI | 3 FT/ SEC | 255 - 256 |
| | PSM- DPAC Two Piece Piston Seals |  |  | Urethane Seal NBR Energizer | -22° - +212° F | 0 - 5,800 PSI | 1.5 FT/ SEC | 257 - 258 |
| | PSU Piston Seals |  |  | Urethane | -40° - +200° F | 0 - 5,000 PSI | 3 FT/ SEC | 259 - 260 |













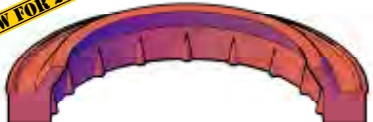







SEAL PROFILE INDEX

INCH SEALS

| Type | Prefix | Product Image | Profile | Material | Temp | Pressure | Speed | Page # |
|---------------------|--|---|---|---|-------------------|----------|---------------|-----------|
| PISTON RINGS | SPR Iron Piston Rings |  |  | Iron | - | - | | 261 - 267 |
| | 606-625 Wear Rings |  |  | Nylon | -40° - +275° F | - | | 269 - 275 |
| WEAR RINGS | PB Hercules® Powerbands |  |  | Nylon, Glass Fiber and PTFE Blend | -40° - +275° F | - | | 276 - 278 |
| | 614 Rod Bearings |  |  | Nylon | -40° - +275° F | - | | 279 - 280 |
| | 615 Rod Bearings |  |  | Phenolic | -67° - +248° F | - | 3 FT/ SEC | 280 |
| | 606T 612T Flexible Guide Bearings |  |  | PTFE | -50° - +400° F | - | 12 FT/ SEC | 281 |
| | 612F Flexible Guide Bearings |  |  | Fabric Reinforced Polyester | -40° - +250° F | - | 3 FT/ SEC | 282 |
| | 606F 612F Flexible Guide Bearings - Boxed |  |  | Fabric Reinforced Polyester | -40° - +250° F | - | 3 FT/ SEC | 282 |
| | 660 Rod Bearings |  |  | Bronze | - | - | - | 283 |
| | FB Follower Bearings |  |  | Polyester | -65° - +220° F | - | 3 FT/ SEC | 283 |

SEAL PROFILE INDEX

INCH SEALS

| Type | Prefix | Product Image | Profile | Material | Temp | Pressure | Speed | Page # |
|--------------------|---|--|---|--|--|----------|---------------|------------------|
| WEAR RINGS | MB Modular Back-Up Bearings |  |  | 70 Shore D Urethane | -40° - +230° F | - | 3 FT/ SEC | 284 |
| | DU Rod Bushings |  |  | Bronze Linning PTFE/Lead Overlay Steel Backing | -325° - +536° F | - | 12 FT/ SEC | 285 |
| WIPER RINGS | ST Wiper Rings |  |  | Urethane & Fluorocarbon | URE- THANE: -40° - +200° F FLUORO- CARBON: -20° - +400° F | - | 3 FT/ SEC | 286 - 289 |
| | ST-SH Wiper Rings w/ Slotted Heel |  |  | 90A Urethane | -40° - +200° F | - | 3 FT/ SEC | 290 - 291 |
| | STXE Wiper Rings |  |  | Urethane Rubber Expander | -40° - +200° F | - | 3 FT/ SEC | 292 |
| | ST-XL Wiper Rings |  |  | Urethane | -40° - +230° F | - | 3 FT/ SEC | 293 - 294 |
| | ST-XL- PM Wiper Rings |  <i>NEW FOR 2016</i> |  | 55D Polyester | -40° - +250° F | - | 12 FT/ SEC | 296 |
| | ST-XLF Wiper Rings |  |  | Urethane | -50° - +230° F | - | 12 FT/ SEC | 296 |
| | ST- XLFT Wiper Rings |  <i>NEW FOR 2016</i> |  | Urethane | -50° - +230° F | - | 12 FT/ SEC | 297 |
| | ST-E Wiper Rings |  |  | Urethane | -31° - +212° F | - | 3 FT/ SEC | 298 |

| Type | Prefix | Product Image | Profile | Material | Temp | Pressure | Speed | Page # |
|--------------------|---|---------------|---------|---------------------------------------|--|----------|--------------|------------------|
| WIPER RINGS | SG Seal Guard Metallic Rod Wipers | | | Bronze Rubber Expander | -40° - +240° F | - | - | 299 |
| | AN Wiper Rings | | | Urethane | -40° - +200° F | - | 3 FT/ SEC | 300 - 304 |
| | AN-M2 Wiper Rings | | | Brass | -30° - +300° F | - | - | 305 |
| | HW Wiper Rings | | | Urethane, Buna-N & Fluorocarbon | -40° - +200° F N: -40° - +225° F V: -20° - +350° F HT: -40° - +225° F | - | 3 FT/ SEC | 306 - 309 |
| | BT Wiper Rings | | | Urethane | -40° - +200° F | - | 3 FT/ SEC | 310 - 311 |
| | KW Wiper Rings | | | Urethane | -40° - +200° F | - | 3 FT/ SEC | 313 - 315 |
| | SWNC Wiper Rings | | | Buna-N | -22° - +212° F | - | 3 FT/ SEC | 316 - 317 |
| | CAS Wipers | | | Urethane | -65° - +220° F | - | 3 FT/ SEC | 317 |
| | SWSN Wipers | | | Buna-N | -22° - +212° F | - | 3 FT/ SEC | 318 - 319 |
| | SWNB Wiper Rings | | | Buna-N | -22° - +212° F | - | 3 FT/ SEC | 320 |

SEAL PROFILE INDEX

INCH SEALS

| Type | Prefix | Product Image | Profile | Material | Temp | Pressure | Speed | Page # |
|--------------------|---|---------------|---------|---|-------------------|--|--------------|------------------|
| WIPER RINGS | CSW Snap-In Wipers | | | Nylon | -40° - +212° F | - | 3 FT/ SEC | 321 |
| | MCKU Metal Clad Wiper Rings | | | Urethane Lip Steel Case | -31° - +212° F | - | 3 FT/ SEC | 322 |
| | MCHD Metal Clad Wiper Rings | | | Urethane Lip Steel Case | -65° - +230° F | - | 3 FT/ SEC | 323 - 324 |
| | MCU-D Heavy Duty Metal Clad Wiper Rings | | | Urethane Lip Steel Case | -65° - +230° F | - | 3 FT/ SEC | 325 - 328 |
| | MCN Metal Clad Wiper Rings | | | Nitrile Lip Steel Case | -40° - +240° F | - | 3 FT/ SEC | 329 - 330 |
| | CWN Metal Clad Wiper Rings | | | Nitrile Lip Steel Case | -22° - +212° F | - | 3 FT/ SEC | 331 |
| OIL SEALS | OS Oil Seals | | | Rubber Lip Steel Case | -40° - +240° F | - | 3 FT/ SEC | 332 - 338 |
| O-RINGS | 568 O-Rings | | | Buna-N Rubber, Fluorocarbon, Silicone, Ethylene Pro- pylene, PTFE, Urethane | -40° - +240° F | VARIABLES ACCORD- ING TO DIAM- ETRAL CLEAR- ANCE | - | 344 - 386 |
| | 580 O-rings | | | Buna-N Rubber | -40° - +240° F | VARIABLES ACCORD- ING TO DIAM- ETRAL CLEAR- ANCE | 3 FT/ SEC | 387 - 391 |
| | QR Quad Rings | | | Buna-N Rubber | -40° - +240° F | VARIABLES ACCORD- ING TO DIAM- ETRAL CLEAR- ANCE | 3 FT/ SEC | 392 - 396 |










SEAL PROFILE INDEX

INCH SEALS

| Type | Prefix | Product Image | Profile | Material | Temp | Pressure | Speed | Page # |
|--------------------------|---|---------------|---------|---------------------------------|--|--|--------------|------------------|
| O-RINGS | SFS Split Flange Seals | | | Urethane | -40° - +200° F | 0 - 6,000 PSI | 3 FT/ SEC | 397 |
| | PFS Split Flange Seals | | | Urethane | -40° - +212° F | 0 - 7,200 PSI | - | 398 |
| | HS568 Head Seals | | | Urethane | -40° - +212° F | 0 - 10,000 PSI | - | 399 - 400 |
| FIBER GASKETS | VMG Fiber Gaskets | | | Fiber | MAX 250°F | - | - | 401 |
| BACK-UP RINGS | 573 Back-Up Rings | | | Hytel | -65° - +275° F | VARIABLES ACCORD- ING TO DIAM- ETRAL CLEAR- ANCE | - | 402 - 406 |
| | 574 "Parback®" Back-Up Rings | | | 90A Buna-N Rubber | -40° - +240° F | VARIABLES ACCORD- ING TO DIAM- ETRAL CLEAR- ANCE | - | 407 - 413 |
| | 575 Style 575 Back-Up Rings | | | Urethane PTFE | Urethane -65° - +220° F PTFE: -100° - +500° F | VARIABLES ACCORD- ING TO DIAM- ETRAL CLEAR- ANCE | - | 414 - 425 |
| | 576 Split Nylon Back-Up Rings | | | Nylon | -40° - +250° F | VARIABLES ACCORD- ING TO DIAM- ETRAL CLEAR- ANCE | - | 426 |
| | 590 High Performance Back-Up Rings | | | High Performance Urethane | -40° - +275° F | VARIABLES ACCORD- ING TO DIAM- ETRAL CLEAR- ANCE | - | 427 |
| | 595 U-Seal Back-Up Rings | | | PTFE | -100° - +500° F | VARIABLES ACCORD- ING - DIAM- ETRAL CLEAR- ANCE | - | 428 |

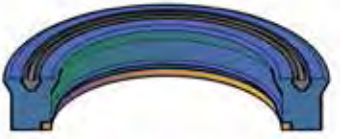

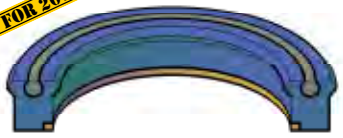
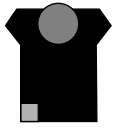




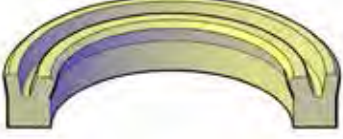











SEAL PROFILE INDEX

INCH SEALS

| Type | Prefix | Product Image | Profile | Material | Temp | Pressure | Speed | Page # |
|-----------------------|--|---|---|----------|-------------------|----------|-------|-----------|
| RETAINER RINGS | VH, WH, WHM, WHT Spiral Internal Retainer Rings |  | | Steel | - | - | - | 429 - 432 |
| | VS, WS, WST, WSM Spiral External Retainer Rings |  | | Steel | - | - | - | 433 - 435 |
| | NAN Ea-n NAN Series Internal Retainer Rings |  | | Steel | - | - | - | 436 |
| | XAN Ea-n XAN Series External Retainer Rings |  | | Steel | - | - | - | 437 |
| | 300 Retainer Rings |  | | Steel | - | - | - | 438 - 440 |
| | 310 Retainer Rings |  | | Steel | - | - | - | 441 - 442 |
| | RSR Style RSR Retainer Rings |  | | Steel | - | - | - | 443 |
| | SR U-Seal Retainer Rings |  |  | Acetal | -22° - +212° F | - | | 444 |












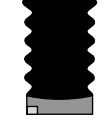

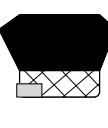
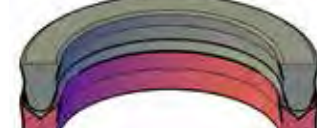
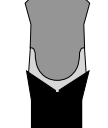
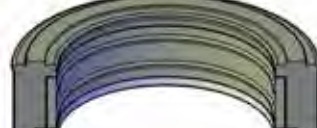



SEAL PROFILE INDEX

METRIC SEALS

| Type | Prefix | Product Image | Profile | Material | Temp | Pressure | Speed | Page # |
|-------------|--|---|---|--|---|--|--------------|------------------|
| ROD U-SEALS | MRTUB Super-Duty Rod U-Seals |  |  | Urethane U-Seal Nitrile Ex- pander Polyacetal Back-Up | -50° - +230° F | 0 - 6,000 PSI | 3 FT/ SEC | 448 - 450 |
| | MRUBL Super-Duty Rod U-Seals |  |  | Urethane U-Seal Rubber Energizer Polyacetal Back-Up | -50° - +230° F -32° - +140° F (HFA) | 0 - 6,000 PSI | 3 FT/ SEC | 451 - 452 |
| | MRT320 |  |  | 94A Urethane | -34° - +255° F | 3,770 PSI 4,640 PSI 5,800 PSI 7,250 PSI | 3 FT/ SEC | 453 - 454 |
| | MRTU Rod U-Seals |  |  | Urethane | -40° - +225° F | 0 - 5,000 PSI | 3 FT/ SEC | 455 - 462 |
| | MRU Rod U-Seals |  |  | Urethane | -65° - +230° F | 0 - 5,000 PSI | 3 FT/ SEC | 463 - 471 |
| | MRUB Rod U-Seals w/Back-Up Rings |  |  | Urethane U-Seal Nylon Back-Up | -40° - +230° F | 0 - 5,500 PSI | 3 FT/ SEC | 472 - 473 |
| | MRTS Rod U-Seals |  |  | Urethane | -22° - +212° F | 0 - 5,000 PSI | 3 FT/ SEC | 474 - 476 |
| | MUTS Rod U-Seals |  |  | Urethane | -22° - +212° F | 0 - 5,000 PSI | 3 FT/ SEC | 474 - 476 |
| | MRTSB Rod U-Seals |  |  | Urethane, Nylon Back- Up | -22° - +212° F | 0 - 5,000 PSI | 3 FT/ SEC | 474 - 476 |
| | MRU-LF Rod U-Seals |  |  | Urethane | -22° - +230° F | 0 - 4,600 PSI | 2 FT/ SEC | 477 |



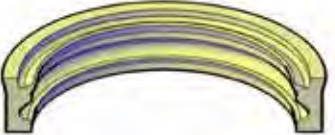




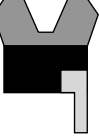

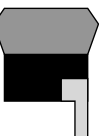






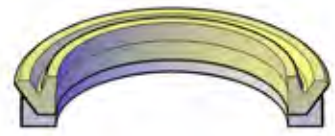

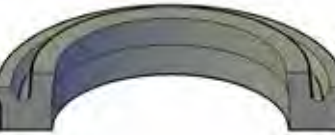

SEAL PROFILE INDEX

METRIC SEALS

| Type | Prefix | Product Image | Profile | Material | Temp | Pressure | Speed | Page # |
|----------------------------------|---|---|---|---|--------------------|---|----------------|------------------|
| ROD U-SEALS | MHMU Rod U-Seals |  |  | Urethane | -50 - +230° F | 0 - 5,000 PSI | 3 FT/ SEC | 478 |
| | MRUN Rod U-Seals |  |  | Nitrile | -8° F - +212° F | 0 - 2,000 psi W/O BACK-UP 0 - 3,000 psi W/ BACK-UP | 3 FT/ SEC | 479 - 482 |
| | MRUNB Rod U-Seals w/Back-up Rings |  |  | Nitrile Seal Bronze- Filled PTFE Back-Up | -8° F - +212° F | 0 - 3,000 PSI | 3 FT/ SEC | 483 - 484 |
| ROD U-SEALS BACK-UP RINGS | MBN Rod U-Seal Back-Up Rings |  |  | Nylon | -67° - +212° F | 0 - 5,000 PSI | 3 FT/ SEC | 485 - 486 |
| | MBT Back-Up Rings |  |  | PTFE | -100° - +500° F | 0 - 5,000 PSI | 3 FT/ SEC | 487 - 489 |
| | MSMR Rod Seal w/Back-Up Rings |  |  | Rubber Seal Cot-n Impreg. Rubber Header Acetal Anti- Extrusion Ring | -22° - +212° F | 0 - 10,000 PSI | 3 FT/ SEC | 490 - 491 |
| | MUFN- EI Rod Seal w/Back-Up Rings |  |  | Nitrile Seal Fabric Reinforced Base Acetal Back- Up | -22° - +212° F | 0 - 6,000 PSI | 1.5 FT/ SEC | 492 - 495 |
| ROD SEALS | MUFN- BR Rod Seal w/Headers |  |  | Rubber, Fabric, Polyester Elastomer | -22° - +212° F | 1.64 FPS / 3600 PSI 0.49 FPS / 5800 PSI | 1.5 FT/ SEC | 496 |
| | MPDS Rod Seal |  |  | NBR/NEO- FAB Seal Acetal Anti- Extrusion Ring | -22° - +230° F | 0 - 3,600 PSI | 1.5 FT/ SEC | 497 |
| | MUKRN Pneumatic Rod Seals |  |  | 80A NBR | -31° - +212° F | 0 - 1,160 PSI | 1.5 FT/ SEC | 498 - 500 |

SEAL PROFILE INDEX










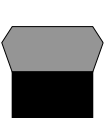










METRIC SEALS

| Type | Prefix | Product Image | Profile | Material | Temp | Pressure | Speed | Page # |
|-----------------------|---|---|---|--|-------------------|------------------|----------------|------------------|
| ROD SEALS | PU-TDI Hunger® Hydraulic Rod Seals |  |  | Urethane BRZ-PTFE | -31° - +212° F | 0 - 6,500 PSI | 3 FT/ SEC | 501 - 502 |
| | PU-TDT* Hunger® Rod Seals |  |  | Urethane | -22° - +212° F | 0 - 1,500 PSI | 3 FT/ SEC | 502 |
| PISTON U-SEALS | MPU Piston Seals |  |  | Urethane | -22° - +212° F | 0 - 5,000 PSI | 3 FT/ SEC | 503 - 505 |
| | MUFN-UWO Piston Seals |  |  | Rubber / Fabric Seal Acetal Back-Up Bearings | -22° - +220° F | 0 - 6,000 PSI | 1.5 FT/ SEC | 506 |
| | MUFN-PWO Piston Seals |  |  | Rubber / Fabric Seal Acetal Back-Up Bearings | -22° - +220° F | 0 - 6,000 PSI | 1.5 FT/ SEC | 507 |
| | MHP26 U-Type Two Piece Piston Seals |  |  | Nitrile Seal Nylon Back-Up | -20° - +220° F | 0 - 3,000 PSI | 3 FT/ SEC | 508 - 509 |
| | MHP27 U-Type Piston Seals |  |  | Rubber Piston Seal Acetal Back-Up | -20° - +220° F | 0 - 4,000 PSI | 3 FT/ SEC | 509 |
| | MHP28 U-Type Piston Seals |  |  | Rubber Piston Seal Nylon Back-Up | -20° - +220° F | 0 - 3,000 PSI | 3 FT/ SEC | 510 |
| | MHP29 U-Type Piston Seals |  |  | Urethane Piston Seal Nylon Back-Up | -40° - +200° F | 0 - 3,000 PSI | 3 FT/ SEC | 510 |
| | MUKPN Pneumatic Piston Seal |  |  | 80A NBR | -22° - +212° F | 0 - 1,160 PSI | 3 FT/ SEC | 511 - 513 |

* Product information available online

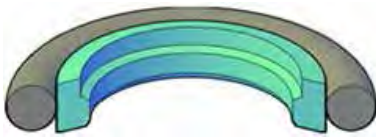



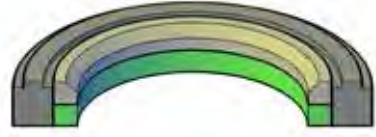



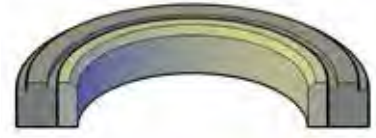







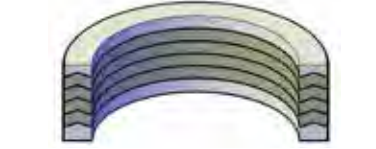
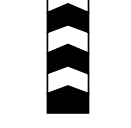

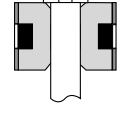
SEAL PROFILE INDEX

METRIC SEALS

| Type | Prefix | Product Image | Profile | Material | Temp | Pressure | Speed | Page # |
|----------------------|---|---|---|---------------------------------------|---|---------------|-------------|-----------|
| U-SEALS | MUU Symmetrical U-Seals |  |  | Urethane | -22° - +212° F | 0 - 5,000 PSI | 3 FT/ SEC | 514 - 525 |
| | MUUL Loaded Symmetrical U-Seals |  |  | Urethane U-Seal Rubber Expander | -40° - +200° F | 0 - 5,000 PSI | 3 FT/ SEC | 526 - 533 |
| | MUSN Symmetrical U-Seals |  |  | 90 Durometer Nitrile | -13° - +212° F | 0 - 2,000 PSI | 3 FT/ SEC | 534 - 537 |
| | MUFN-U Symmetrical U-Seals |  |  | Nitrile U-Seal Fabric Reinforced Base | -22° - +212° F | 0 - 2,900 PSI | 1.5 FT/ SEC | 538 |
| | MUFN-P Symmetrical Seals |  |  | Nitrile Seal Fabric Reinforced Base | -22° - +212° F | 0 - 2,900 PSI | 1.5 FT/ SEC | 539 - 542 |
| CUSHION SEALS | MRT Cushion Seals |  |  | Filled Nylon or Reinforced Phenolic | Nylon -67° - +212° F Phenolic -67° - +248° F | 0 - 5,000 PSI | - | 543 - 545 |
| | MCK53 Cushion Seals |  |  | Urethane | -22° - +176° F | 0 - 230 PSI | 1.5 FT/ SEC | 546 - 547 |
| BUFFER SEALS | MYR Buffer Seals |  |  | Urethane Buffer Nylon Back-Up | -30° - +220° F | 0 - 7,000 PSI | 3 FT/ SEC | 548 - 549 |
| | MYR-HT Buffer Seals |  |  | Urethane Buffer Nylon Back-Up | -67° - +248° F | 0 - 7,250 PSI | 3 FT/ SEC | 550 - 551 |
| | MKR Buffer Seals |  |  | Filled PTFE Buffer Rubber Energizer | -40° - +220° F | 0 - 5,000 PSI | 12 FT/ SEC | 552 - 554 |





















SEAL PROFILE INDEX

METRIC SEALS

| Type | Prefix | Product Image | Profile | Material | Temp | Pressure | Speed | Page # |
|-------------------------|---|---|---|--|--------------------|------------------|----------------|------------------|
| BUFFER SEALS | MKR-U Buffer Seals |  |  | Filled PTFE Buffer Rubber Energizer | -49° - +212° F | 0 - 5,000 PSI | 1.6 FT/ SEC | 555 - 556 |
| | MKR-V Buffer Seals |  |  | Bronze PTFE Buffer FKM Energizer | -20° - +400° F | 0 - 5,000 PSI | 12 FT/ SEC | 557 - 558 |
| | MNBR Buffer Seals |  |  | Nylon / PTFE Buffer Rubber Energizer | -40° TP +220° F | 0 - 5,000 PSI | 3 FT/ SEC | 559 |
| | MSBR Buffer Seals |  |  | Nylon Buffer Rubber Energizer | -40° - +220° F | 0 - 5,000 PSI | 3 FT/ SEC | 560 |
| | MYBR Buffer Seals |  |  | Filled PTFE Buffer Rubber Energizer | -40° - +220° F | 0 - 5,000 PSI | 12 FT/ SEC | 561 - 562 |
| | MIR Buffer Seals |  |  | Urethane Buffer | -40° - +200° F | 0 - 5,000 PSI | 3 FT/ SEC | 562 |
| | MBRW Buffer Seals |  |  | 93A Urethane | -30° - +230° F | 0 - 7,200 PSI | 1.5 FT/ SEC | 563 |
| SWIVEL SEALS | MUSW Swivel Seals |  |  | Urethane | -50° - +220° F | 0 - 5,000 PSI | 3 FT/ SEC | 564 |
| VEE PACKING | MVS Vee Packing |  |  | Rubber & Urethane Rings Nylon Adaptors | -35° - +220° F | 0 - 5,000 PSI | 1.5 FT/ SEC | 565 - 566 |
| UNITIZED PISTONS | JD / NH John Deere® / New Holland Unitized Pistons |  |  | PTFE | -40° - +275° F | 0 - 5,000 PSI | 3 FT/ SEC | 567 - 568 |

SEAL PROFILE INDEX

METRIC SEALS

| Type | Prefix | Product Image | Profile | Material | Temp | Pressure | Speed | Page # |
|------------------------|---|---|---|--|--------------------|---------------------------------|---------------|------------------|
| PISTON SEAL ASSEMBLIES | MPK54 Pneumatic DA Piston Seal |  |  | 70A NBR | -20° F, +220° F | 0 - 175 PSI | 3 FT/ SEC | 569 |
| | MPK62 Pneumatic DA Piston Seal |  |  | 70A NBR | -20° - +220° F | 0 - 175 PSI | 3 FT/ SEC | 570 |
| | MAPA Pneumatic DA Piston Seal |  |  | 80 NBR | -30° - +248° F | 0 - 142 PSI | 3 FT/ SEC | 571 |
| | PU- TDA* Hunger® Hydraulic Piston Seal |  |  | Urethane BRZ-PTFE | -31° - +212° F | 0 - 6,500 PSI | 3 FT/ SEC | 571 |
| | PU- TDMA* Hunger® Hydraulic Piston Seal |  |  | BRZ-PTFE Urethane | -31° - +212° F | 0 - 3,600 PSI | 3 FT/ SEC | 571 |
| | MDPC Pneumatic DA Piston Seal |  |  | 75A Nitrile | -22° - +220° F | 0 - 230 PSI | 3 FT/ SEC | 572 |
| | MDPCS Hydraulic DA Piston Seal |  |  | 90A Nitrile | -22° - +220° F | 0 - 175 TO 0 - 870 PSI | 3 FT/ SEC | 573 - 574 |
| | MDPC- 57 |  |  | 70A NBR | -22° - +220° F | 0 - 175 PSI | 3 FT/ SEC | 574 |
| | MPS Two Piece Piston Seals |  |  | PTFE Piston Seal Rubber Enerizer | -40° - +230° F | 0 - 5,000 PSI | 12 FT/ SEC | 575 - 579 |
| | MPSU Two Piece Piston Seals |  |  | Glass / PTFE Filled Polyester Piston Seal Rubber Expander | -40 - +230° F | 0 - 5,000 PSI | 3 FT/ SEC | 580 - 581 |







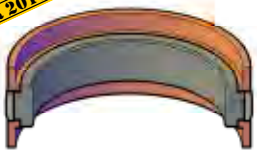







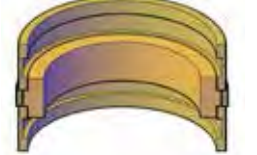
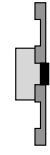
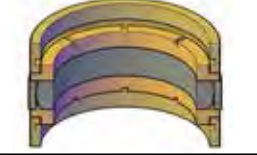


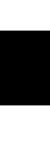
* Product information available online

METRIC SEALS

| Type | Prefix | Product Image | Profile | Material | Temp | Pressure | Speed | Page # |
|-------------------------------|--|---|---|--|------------------|---------------|-------------|------------------|
| PISTON SEAL ASSEMBLIES | MPSU 300 Two Piece Piston Seals |  |  | 94A Urethane Seal 70/80A Nitrile Energizer | -22° - +212° F | 0 - 5,800 PSI | 1.5 FT/ SEC | 582 - 583 |
| | MKPD Two Piece Piston Seals |  |  | 97A Urethane Seal 70A Nitrile Expander | -22° - +210° F | 0 - 5,800 PSI | 1.5 FT/ SEC | 584 - 585 |
| | MPS 2000 Step Cut Piston Seals |  |  | Nylon Seal with Nitrile Energizer | -22° F - +230° F | 0 - 7250 PSI | 3 FT/ SEC | 586 - 587 |
| | MPSQ Piston Seals |  |  | 40% Bronze filled PTFE, NBR Energizer, NBR Quad Ring | -40° F - +220° F | 0 - 5000 PSI | 6 FT/ SEC | 588 - 589 |
| | MPSQ5 Four Piece Piston Seals |  |  | Bronze filled PTFE NBR Energizers NBR Quad-Ring® | -22° - +212° F | 0 - 8,700 PSI | - | 590 |
| | MBNP Piston Seal Anti-Extrusion Rings |  |  | Nylon Back-Up Ring | -65° - +220° F | 0 - 5,000 PSI | - | 591 |
| | MCPS Four Piece Piston Seals |  |  | PTFE Cap Nylon Back-Up Rubber Expander | -40° - +220° F | 0 - 6,000 psi | 4.5 FT/ SEC | 592 - 594 |
| | CTC Caterpillar® Specific Piston Seals |  |  | See Charts | See Charts | See Charts | - | 595 - 596 |
| | MPSA Five Piece Piston Seals |  |  | Nitrile Piston Seal Polyacetal Anti-Extrusion Ring | -22° - +212° F | 0 - 6,000 PSI | 1.5 FT/ SEC | 597 - 601 |
| | MPSB Three Piece Piston Seals |  |  | Fabric Reinforced Piston Seal Polyacetal Anti-Extrusion Ring | -22° - +212° F | 0 - 5,000 PSI | 1.5 FT/ SEC | 602 |
















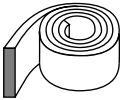

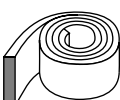

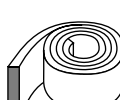
SEAL PROFILE INDEX

METRIC SEALS

| Type | Prefix | Product Image | Profile | Material | Temp | Pressure | Speed | Page # |
|------------------------|---|--|---|--|---|---|-------------------|------------------|
| PISTON SEAL ASSEMBLIES | MPSA-58 Three Piece Piston Seals |  |  | Fabric Reinforced Piston Seal Polyacetal Anti- Extrusion Ring | -22° - +212° F | 0 - 5,000 PSI | 1.5 FT/ SEC | 603 - 604 |
| | MPSA-59 Three Piece Piston Seals |  |  | Fabric Reinforced Piston Seal Polyacetal Anti- Extrusion Ring | -22° - +212° F | 0 - 5,000 PSI | 1.5 FT/ SEC | 605 - 606 |
| | MPSA-65 Three Piece Piston Seals |  |  | Nitrile Piston Seal Acetal Bearings | -22° - +212° F | 0 - 3,000 PSI | 1.5 FT/ SEC | 607 |
| | MPSA-750 Three Piece Piston Seals |  <i>NEW FOR 2016</i> |  | TPE Cap Nitrile Energizer Polyacetal Anti-Extrusion Rings | -22° - +212° F -32° - +140° F (HFA) | 0 - 7,500 PSI | 1.0 FT/ SEC | 608 |
| | MPSA-PDE Five Piece Piston Seals |  |  | Nitrile Plastic POM | -22° - +230° F | 0 - 8,700 PSI | 1.5 FT/ SEC | 609 |
| | MTPS Four Piece Piston Seals |  <i>NEW FOR 2016</i> |  | TPE Cap Nitrile Energizer Polyacetal Anti-Extrusion Rings | -40° - +230° F -32° - +140° F (HFA) | 0 - 10,000 PSI (DYNAMIC) 0 - 17,400 PSI (STATIC) | 1 FT/ SEC | 610 - 611 |
| | MNCF Five Piece Piston Seals |  |  | Rubber / Fabric Piston Seal PTFE Back-Up Rings Nylon Bearings | -22° - +190° F | 0 - 5,000 PSI | 1.5 FT/ SEC | 612 |
| | PS-GKD Hunger® Five Piece Piston Seals |  |  | Urethane Plastic POM | -22° - +248° F | 0 - 8,700 PSI | 3 FT/ SEC | 613 - 614 |
| | PS-GD1000K Hunger® Multi-Piece Piston Seals |  |  | BRZ-PTFE Urethane Filled POM | -22° - +248° F | - | 3 FT/ SEC | 615 - 616 |
| PISTON RINGS | MSPR Piston Rings |  |  | Cast Iron | - | - | - | 617 |







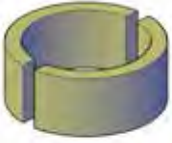













SEAL PROFILE INDEX

METRIC SEALS

| Type | Prefix | Product Image | Profile | Material | Temp | Pressure | Speed | Page # |
|-------------------|---|--|---|---|-----------------|----------|------------|-----------|
| WEAR RINGS | MBR Piston Rings |  |  | Bronze | - | - | 3 FT/ SEC | 618 |
| | MWR Wear Rings |  |  | Nylon | -40° - +275° F | - | 3 FT/ SEC | 619 - 621 |
| | MWRB Wear Rings |  |  | Phenolic | -40° - +250° F | - | 3 FT/ SEC | 622 - 626 |
| | MWRPEG Wear Rings |  <i>NEW FOR 2016</i> |  | Graphite Filled Fabric Reinforced Polyester | -320° - +260° F | - | - | 627 |
| | MWRT Wear Rings |  |  | Filled PTFE | -100° - +550° F | - | 12 FT/ SEC | 628 - 629 |
| | MWRZ Wear Rings |  |  | Filled PTFE | -100° - +550° F | - | 12 FT/ SEC | 628 - 629 |
| | MWRA Wear Rings |  |  | Acetal | -40° - +230° F | - | 3 FT/ SEC | 630 |
| | MGF Flexible Guide Bearings |  |  | Fabric Reinforced Polyester | -30° - +265° F | - | 3 FT/ SEC | 631 |
| | MGF Flexible Guide Bearings - Boxed |  |  | Fabric Reinforced Polyester | -30° - +265° F | - | 3 FT/ SEC | 631 |
| | MGB Flexible Guide Bearings |  |  | Bronze Filled PTFE | -50° - +390° F | - | 12 FT/ SEC | 632 |



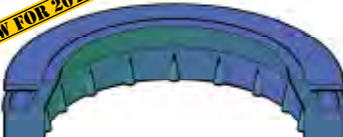

















SEAL PROFILE INDEX

METRIC SEALS

| Type | Prefix | Product Image | Profile | Material | Temp | Pressure | Speed | Page # |
|--------------------|--|---|---|---|--------------------|----------|----------------|------------------|
| WEAR RINGS | MDU Rod Bushings |  |  | Bronze Lin- ing PTFE Lead Overlay Steel Back- ing | -325° - +536° F | - | 12 FT/ SEC | 633 - 634 |
| | MRB Rod Bushings |  |  | Nylon | -40° - +250° F | - | 3 FT/ SEC | 635 |
| | MWRA-L L-Shaped Rod Wear Rings |  |  | Acetal | -40° - +230° F | - | 3 FT/ SEC | 636 |
| | MBB Piston Bushings |  |  | Bronze | - | - | 3 FT/ SEC | 637 |
| | WRFAI Hunger® Wear Rings |  |  | POM-PTFE/ Bronze | -62° - +248° F | - | - | 638 - 639 |
| | WRFA Hunger® Wear Rings |  |  | POM-PTFE/ Bronze | -62° - +248° F | - | 12 FT/ SEC | 640 - 641 |
| | WRFI Hunger® Wear Rings |  |  | POM-PTFE/ Bronze | -62° - +248° F | - | 12 FT/ SEC | 642 - 643 |
| WIPER RINGS | MSWP Snap-In Wipers |  |  | Urethane | -30° - +220° F | - | 3 FT/ SEC | 644 - 645 |
| | MPRW Wipers |  |  | 94A Urethane | -34° - +255° F | - | 1.6 FT/ SEC | 646 |
| | MK51 Rod Wiper / Seal |  |  | Urthane | -22° F, +200° F | 230 PSI | 3 FT/ SEC | 647 |







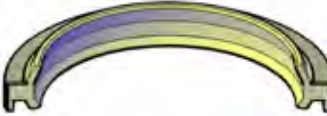
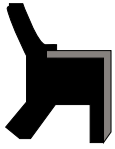

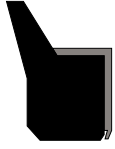

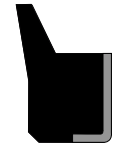




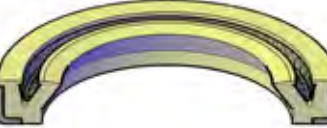



SEAL PROFILE INDEX

METRIC SEALS

| Type | Prefix | Product Image | Profile | Material | Temp | Pressure | Speed | Page # |
|--------------------|--|---|---|--|--|----------------|----------------|------------------|
| WIPER RINGS | MW38 Snap-In Wipers |  |  | 55D Polyester | -40° F, +250° F | - | 12 FT/ SEC | 648 - 650 |
| | MSWE- XLF Snap-In Wipers |  |  | 93A Urethane 55D Urethane | -50° - +230° F -40° - +212° F | - | 12 FT/ SEC | 651 - 652 |
| | MSWE Snap-In Wipers |  |  | Urethane | -30° - +200° F | - | 3 FT/ SEC | 653 - 655 |
| | MSWH24 Wipers |  |  | Urethane | -31° - +230° F | 0 - 725 PSI | 1.5 FT/ SEC | 656 |
| | MSWH Snap-In Wipers |  |  | Urethane | -30° - +200° F | - | 3 FT/ SEC | 657 - 659 |
| | MWSCK Snap-In Wipers |  |  | Nitrile | -49° - +212° F | - | 3 FT/ SEC | 660 - 661 |
| | MSW Snap-In Wipers |  |  | Urethane | -30° - +200° F | - | 3 FT/ SEC | 662 - 663 |
| | MSWS / MSWSN Snap-In Wipers |  |  | Urethane | -30° - +200° F | - | 3 FT/ SEC | 664 |
| | MSWSHN Snap-In Wipers |  |  | 90A Nitrile | -22° - +230° F | - | 3 FT/ SEC | 665 - 666 |
| | MSWN Snap-In Wipers |  |  | Nitrile | -22° - +212° F | - | 3 FT/ SEC | 667 - 668 |


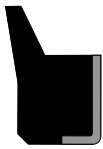


















SEAL PROFILE INDEX

METRIC SEALS

| Type | Prefix | Product Image | Profile | Material | Temp | Pressure | Speed | Page # |
|--------------------|--------------------------------------|--|---|---|--------------------|----------|----------------|------------------|
| WIPER RINGS | CSWM Snap-In Wipers |  |  | Nylon | -40° - +212° F | - | 3 FT/ SEC | 669 |
| | MDK Snap-In Wipers |  |  | Nitrile | -22° - +212° F | - | 3 FT/ SEC | 670 |
| | MDKP Snap-In Wipers |  |  | 93A Urethane | -40° - +212° F | - | 1.5 FT/ SEC | 671 |
| | MCKBI Metal Clad Wipers |  |  | Urethane Lip Steel Case | -30° - +200° F | - | 3 FT/ SEC | 672 - 673 |
| | MCW Metal Clad Wipers |  |  | Urethane Lip Steel Case | -30° TO +200° F | - | 3 FT/ SEC | 674 - 675 |
| | MCWE Snap-In Wipers |  |  | Urethane | -40° TO +200° F | - | 3 FT/ SEC | 676 - 677 |
| | MCWI Metal Clad Wipers |  |  | Urethane Lip Steel Case | -30° TO +200° F | - | 3 FT/ SEC | 678 - 680 |
| | MCWIN Metal Clad Wipers |  <i>NEW FOR 2016</i> |  | Nitrile Lip Steel Case | -13° TO +212° F | - | 3 FT/ SEC | 681 |
| | MCWS Metal Clad Wipers |  |  | Urethane Lip Steel Case SS Spring | -40° - +200° F | - | 3 FT/ SEC | 682 |
| | MCKB Metal Clad Wipers |  |  | Nitrile Lip Steel Case | -20° - +250° F | - | 3 FT/ SEC | 683 - 684 |

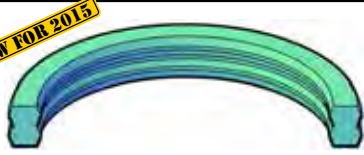


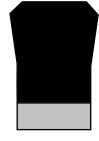











SEAL PROFILE INDEX

METRIC SEALS



| Type | Prefix | Product Image | Profile | Material | Temp | Pressure | Speed | Page # |
|--------------------|---|---|---|--|---|-------------------------|----------------|------------------|
| WIPER RINGS | MCWN Metal Clad Wipers |  |  | Nitrile Lip Steel Case | -30° - +220° F | - | 3 FT/ SEC | 685 - 687 |
| | MCWHD Metal Clad Wipers |  |  | Urethane Lip Steel Case | -65° - +230° F | - | 3 FT/ SEC | 688 |
| DUST SEALS | MDS Link Pin Dust Seals |  |  | Nitrile Lip Steel Case | -40° - +220° F | - | 3 FT/ SEC | 689 |
| | MDSU Link Pin Dust Seals |  |  | Urethane Lip Steel Case | -30° - +200° F | - | 3 FT/ SEC | 690 |
| | MCWA Metal Clad Dust Seals |  |  | Urethane Lip Steel Case | -30° - +200° F | - | 3 FT/ SEC | 691 - 693 |
| OIL SEALS | MOS Oil Seals |  |  | Rubber Lip Steel Case | -40° - +225° F | 10 PSI @ 1000 FPM | 3 FT/ SEC | 694 - 696 |
| | RVA Oil Seals |  |  | Nitrile | -40° - +225° F | 0 - 5 PSI | 1.5 FT/ SEC | 697 - 698 |
| | MOS- BABSL BABSLV Shaft Seals |  |  | Nitrile/ Fluorocarbon | -40° - +212° F/ -40° - +320° F | - | - | 699 |
| O-RINGS | MOR O-Rings |  |  | 70A or 90A Durometer Nitrile or 75A Durometer Fluorocarbon | -40° - +220° F | - | 3 FT/ SEC | 702 - 720 |
| | OBVD Static Seals |  |  | Nitrile O-Ring Urethane Back-Up | -22° - +212° F | 0 - 7250 PSI | 3 FT/ SEC | 722 - 723 |

SEAL PROFILE INDEX

METRIC SEALS











| Type | Prefix | Product Image | Profile | Material | Temp | Pressure | Speed | Page # |
|----------------|---|---|--|--|---|-----------------|--------|-----------|
| HEAD SEALS | MHS8 Head Seals |  |  | Nitrile O-Ring Urethane Back-Up | -31° - +230° F | 0 - 7250 PSI | STATIC | 724 - 725 |
| | MHSNB Head Seals |  |  | Nitrile O-Ring Urethane Back-Up | -31° - +230° F | 0 - 7250 PSI | STATIC | 726 |
| | MUHS Head Seals |  |  | Polyester Elastomer | -22° - +212° F -40° - +140° F (HFA) | 0 - 7250 PSI | STATIC | 727 |
| BACK-UP RINGS | MBT Back-Up Rings |  |  | PTFE | -100° - +500° F | - | - | 728 - 730 |
| | MBU Back-Up Rings |  |  | Urethane | -40° - +200° F | - | - | 731 - 732 |
| RETAINER RINGS | MSL Spiral Internal Retainer Rings |  | - | Steel | - | - | - | 733 |
| | MNAN Internal Retainer Rings |  | - | Steel | - | - | - | 733 |
| | M300 Internal Retainer Rings |  | - | Steel | - | - | - | 734 |
| | M310 External Retainer Rings |  | - | Steel | - | - | - | 735 |
| | M300-DHT Internal Retainer Rings |  | - | Steel | - | - | - | 736 |

METRIC SEALS







| Type | Prefix | Product Image | Profile | Material | Temp | Pressure | Speed | Page # |
|----------------|-------------------------------------|---|---|----------|-----------------|----------|-------|--------|
| RETAINER RINGS | MSR U-Seal Retainer Rings |  |  | Acetal | -22° TO +212° F | - | - | 737 |

SEAL PROFILE INDEX

REPAIR ACCESSORIES











| Type | Prefix | Product Image | Products / Material | Page # |
|---------------------------|---|---|---|------------------|
| REPAIR ACCESSORIES | CAP Cap Plugs |  | Tapered for Miscellaneous Applications, NPT Style Ports, and with Pull Rings. Female threaded for JIC Fittings, O-Ring and Flat Face Fitting Caps, Maile Threaded Pipe and cap plugs for flared JIC Fittings. | 740 - 744 |
| | BOLTED SPLIT Flange Protectors |  | 3,000 PSI and 5,000 PSI Flanges | 744 |
| | Face and Thread Seals |  | Steel Washer and Rubber Seal for Style 110 and SB Face Seals, and Thread Seals | 745 |
| | Wave Springs and Shim |  | Wave Springs and Carbon Steel Shims | 746 - 747 |
| | LN Lock Nuts |  | Grade C Locknuts and Nylon Insert Locking Nuts | 748 - 749 |
| | HH & MHH Self Aligning Bearings |  | Inch and Metric Carbon Chromium Steel | 750 - 751 |
| | SS Set Screws |  | 17 Various sizes | 752 |
| | NY-PLUG Nylon Plugs |  | 15 Various sizes | 752 |
| | LOCK WIRE Wind-In |  | 7 Various sizes | 752 |
| | FV Filter Vent Plugs |  | 6 Various sizes | 752 |

REPAIR ACCESSORIES

| Type | Prefix | Product Image | Products / Material | Page # |
|---------------------------|------------------------------------|---|--|--------|
| REPAIR ACCESSORIES | Steel Plugs and Vents |  | Steel Plugs (O-Ring Boss), NPT Steel Plug and NPT Air Vent | 753 |
| | SHTPP Port Plugs |  | Zero-Leak Gold Standard Thread | 754 |
| | WH Manual Bleeder Valves |  | 1/8 NPT | 754 |
| | Bushings |  | Split Tension | 755 |
| | Adhesives |  | Loctite and Thread Locker Adhesives | 756 |
| | SEAL LUBE |  | O-ring Lubricant | 756 |
| | GF Grease Fittings |  | Grease Fittings in 8 various sizes and Grease Fitting Cap | 757 |
| | TAPE |  | PTFE / Silicone | 757 |
| | CP Cotter Pins |  | Carbon Chromium Steel - 16 Sizes | 757 |
| | MCPL Couplings |  | 4 Various sizes - 50H, 110H, 140H and 50A | 758 |

SEAL PROFILE INDEX

KITS AND TOOLS

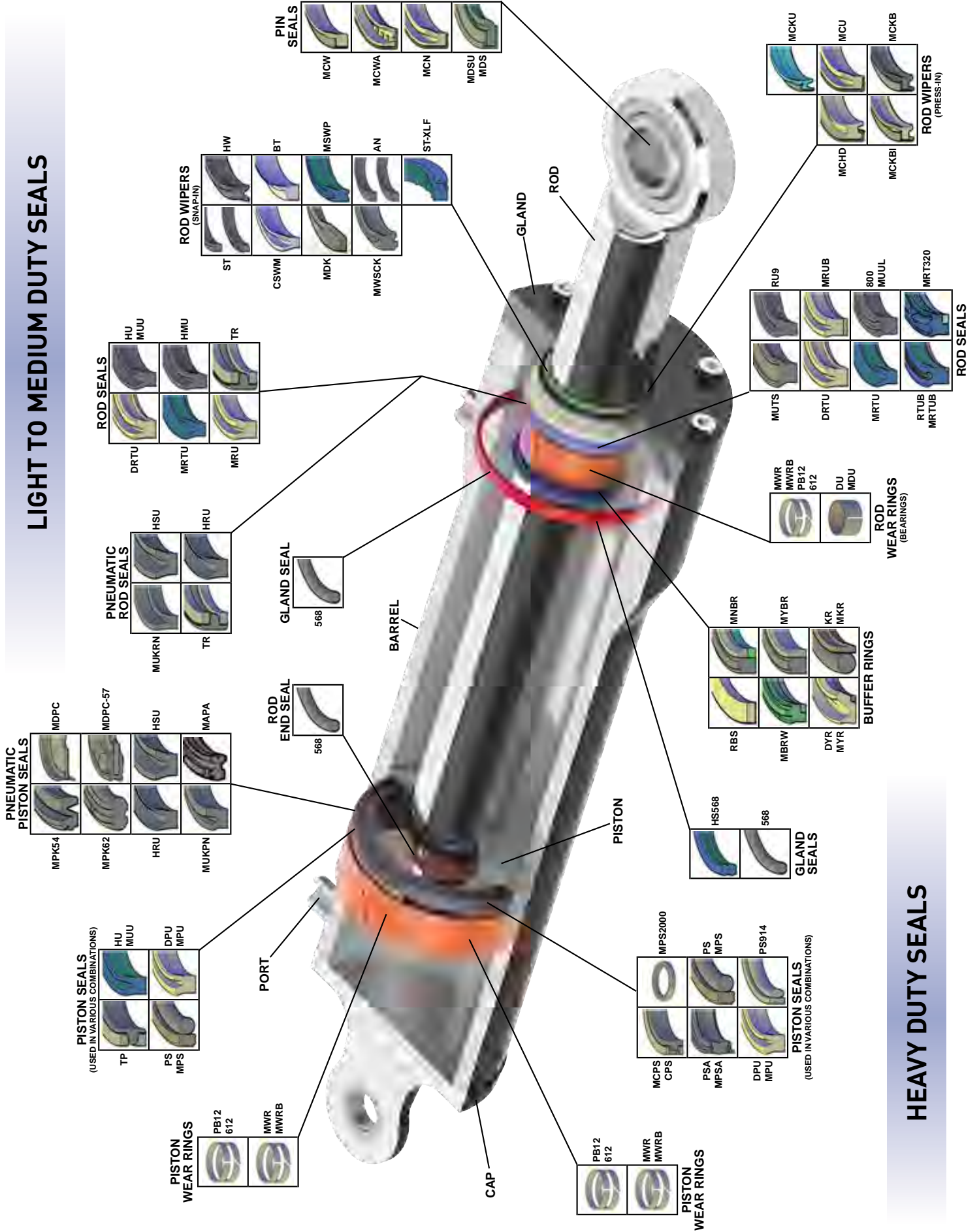
| Type | Prefix | Product Image | Products / Material | Page # |
|-----------------------|----------------------|---|--|------------------|
| KITS AND TOOLS | O-Ring Kits |  | Inch and Metric Standard, Industrial and Warehouse O-Ring Assortment Kits. Kit include materials such as 70 and 90 Durometer, Fluorocarbon and PTFE. Additional kits include: Boss, Flange, Quad, Face and Hose End & Adapter. | 760 - 768 |
| | O-Ring Splice Kits |  | Inch and Metric Sizes, in 70 Durometer Buna and 75 Durometer Fluorocarbon O-Ring Cords. | 769 |
| | Back-Up Kits |  | Various Back-up Ring Kits include materials such as 90A Durometer Buna-N Rubber, Urethane and PTFE. | 770 |
| | Retainer Ring Kits |  | Eaton, Spiral Wound and Internal/External Retainer Ring Kits. All rings are made in the USA from carbon spring steel. | 771 |
| | Assortment Kits |  | Assortment kits include d-ring, silicone, flange and nitrile seals for use on Caterpillar®, John Deere and Komatsu® equipment. Additional assortment kits include Nitrile and Fluorocarbon O-ring, Cotter Pin, Woodruff Key, Grease Fitting, Set Screw, Cap and Nylon Plug and Seal Tools. | 772 - 779 |
| | Installation Tools |  | Various Rod U-Seal Intallation Tools | 779 - 780 |
| | Splicing Tools |  | Various Splicing Kits and Tools | 780 |
| | Cutting and Chopping |  | Various Cutters and Choppers for Wear Rings and O-ring Cord. | 780 - 781 |
| | Removal Tools |  | Removal tools include Oil Seal Removal and Installation, Assorted O-Ring Pick Sets, Packing Hooks, Chevron Assembly, Woodscrew and Corkscrew Tip, Stop Ring Wrenches and Solid Shaft Picks. | 781 - 783 |
| | Dismantling Tools |  | Dismantling Tools include Spanner Wrenches and Parker Gland Wrenches. | 784 |

KITS AND TOOLS

| Type | Prefix | Product Image | Products / Material | Page # |
|-----------------------|-----------------------|---|--|------------------|
| KITS AND TOOLS | Remanufacturing Tools |  | Remanufacturing Tools include Hone Stone Sets, Portable Hones, Honing Oil, Piston Seal Stretcher and Reforming Tool and the Mini Grinder. | 785 - 789 |
| | Leak Detection |  | Leak Detection includes the Ultimate Leak Detection Kit, along with various Leak Detection Products. | 790 |
| | Measuring Tools |  | Various Measuring tools including Calipers, O-Ring Measuring Cone, Gauge and Chart. Additional tools include Pi Tape, a power punch set and several reference charts for seals, O-rings and Cylinders. | 791 - 793 |
| | Hercules Merchandise |  | Everything you need to be recognized as a Genuine Hercules Repair Parts Provider. Merchandise includes hats, polo shirts, mugs, counter mats, t-shirts and counter stools. | 794 |

TYPICAL SEALING COMPONENTS

LIGHT TO MEDIUM DUTY SEALS



HEAVY DUTY SEALS

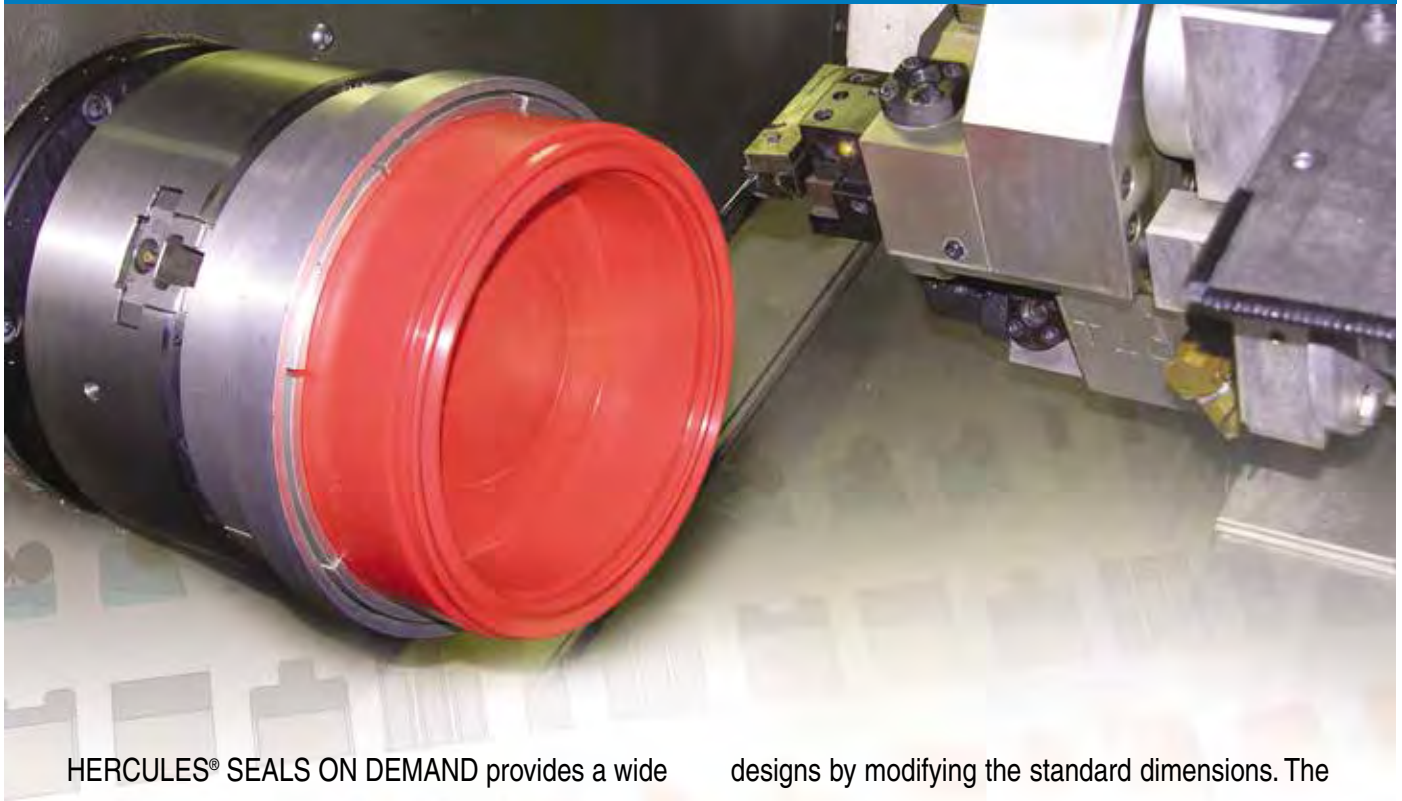


Custom Seals

| Contents | Page |
|-------------------------|-------------|
| Piston Seals | 3 - 4 |
| Rod Seals | 4 - 5 |
| Wiper Rings | 5 - 6 |
| Rotary Seals | 6 - 7 |
| Gaskets / Back-Up Rings | 8 |
| Guide-Rings | 8 |
| Ordering Information | 8 |
| Material Index | 9 - 10 |

SEALS ON DEMAND

CUSTOM SEALS



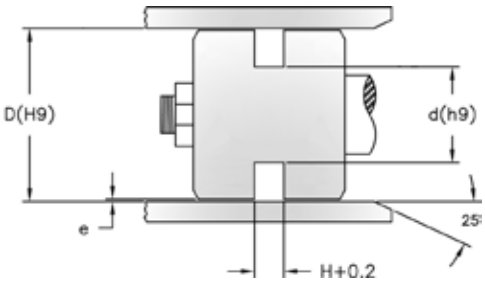
HERCULES® SEALS ON DEMAND provides a wide selection of custom, cost effective sealing solutions using advanced rapid-prototype technology. The programmable CNC production cell can manufacture both hydraulic and pneumatic styles of o-rings, rod seals, piston seals, wipers, backup rings, rotary seals, swivel seals and static seals in both imperial and metric sizes for almost any fluid power application including agriculture, automotive, heavy construction, material handling, manufacturing, mining, logging, fluid handling and refuse. Hercules® Seals On Demand technology gives you the ability to source custom manufactured products with a short turn-around time and with no mold costs. Hercules® Seals On Demand design software offers over 100 standard profiles and can produce countless custom

designs by modifying the standard dimensions. The advanced lathe technology results in exceptional sealing products with smooth corners and fillets, fine surface finishes and sharp lips. Hercules® Seals On Demand has a large inventory of high quality materials in numerous sizes including materials from elastomers of rubber and urethane to plastics of fluoro-polymers (PTFE) and Acetal (POM) available for your sealing application.

The following technical information illustrates common housings for each seal profile. Included in each seal application is a chart detailing the recommended dimensions for typical housing sizes. Hercules Sealing Products offers design assistance for non-standard and custom application needs, which may exceed the size ranges in these recommended charts. To reach our technical department, please call 1.800.777.5617 and press 8.

PISTON SEALS

U-Seal



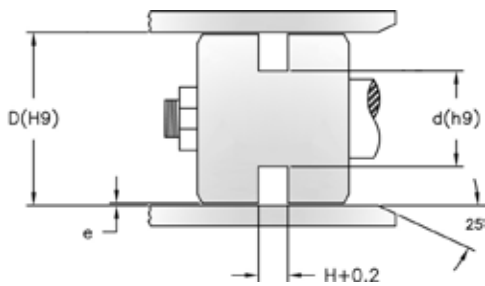
Application: Hydraulic single-acting piston seals
Material: Urethane, NBR, PTFE, Fluorocarbon

Standard Recommended Dimensions

| D (Range) | d | H |
|-------------|--------|----|
| 15 - 25 | D - 8 | 6 |
| 25.1 - 50 | D - 10 | 7 |
| 50.1 - 75 | D - 12 | 8 |
| 75.1 - 150 | D - 15 | 10 |
| 150.1 - 300 | D - 20 | 12 |
| 300.1 - 450 | D - 25 | 18 |
| 450.1 - 575 | D - 30 | 20 |

All Dimensions Are Millimeters

Two Piece Seal



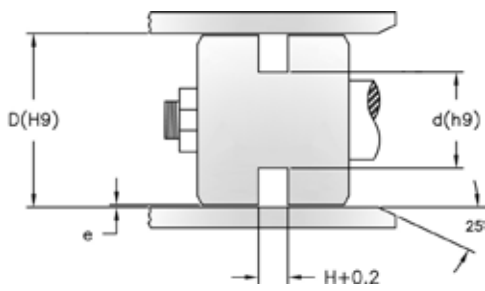
Application: Hydraulic double-acting piston seals
Material: Urethane, NBR, PTFE, Fluorocarbon

Standard Recommended Dimensions

| D (Range) | d | H |
|-------------|----------|-----|
| 10 - 15 | D - 4.9 | 2.2 |
| 15.1 - 40 | D - 7.5 | 3.2 |
| 40.1 - 80 | D - 11 | 4.2 |
| 80.1 - 135 | D - 15.5 | 6.3 |
| 135.1 - 300 | D - 21 | 8.1 |
| 300.1 - 575 | D - 24.5 | 8.1 |

All Dimensions Are Millimeters

Two Piece Seal Step-Cut



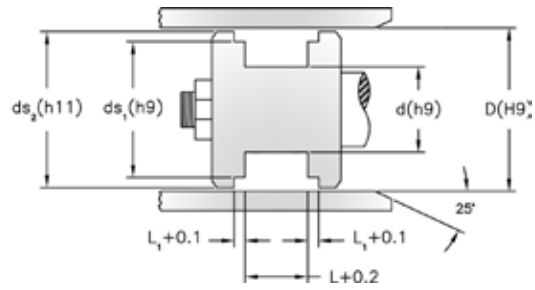
Application: Hydraulic double-acting piston seals
Material: POM, PA6

Standard Recommended Dimensions

| D (Range) | d | H |
|-------------|----------|-----|
| 38 - 40 | D - 7.5 | 3.2 |
| 40.1 - 80 | D - 11 | 4.2 |
| 80.1 - 135 | D - 15.5 | 6.3 |
| 135.1 - 300 | D - 21 | 8.1 |
| 300.1 - 394 | D - 24.5 | 8.1 |

All Dimensions Are Millimeters

Compact Seal



Application: Hydraulic double-acting piston seals
Material: Urethane, NBR, PTFE, Fluorocarbon

Standard Recommended Dimensions

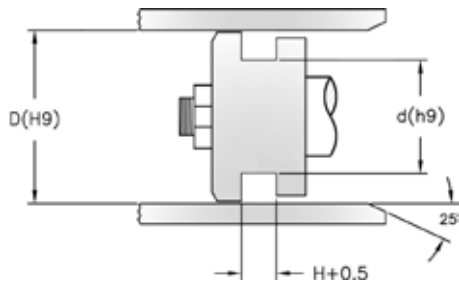
| D (Range) | d | ds ₁ | L | L ₁ |
|-------------|--------|-----------------|------|----------------|
| 20 - 50 | D - 10 | D - 3 | 12.5 | 4 |
| 50.1 - 80 | D - 15 | D - 4 | 20 | 4 |
| 80.1 - 150 | D - 20 | D - 5 | 25 | 5.5 |
| 150.1 - 300 | D - 25 | D - 6 | 32 | 7 |
| 300.1 - 600 | D - 30 | D - 8 | 36 | 7 |

All Dimensions Are Millimeters

CUSTOM SEALS

PISTON SEALS

Pneumatic U-Seal



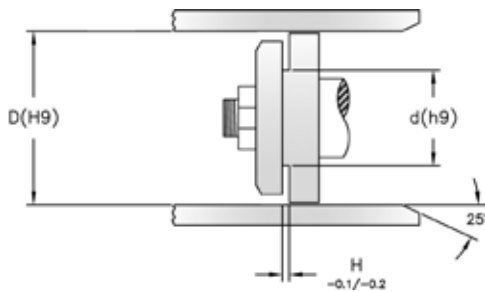
Pressure: 350 psi max
Application: Hydraulic and Pneumatic single-acting piston seals
Material: Urethane, NBR, PTFE, Fluorocarbon

Standard Recommended Dimensions

| D (Range) | d | H |
|-------------|--------|----|
| 15 - 25 | d - 8 | 6 |
| 25.1 - 50 | d - 10 | 7 |
| 50.1 - 75 | d - 12 | 8 |
| 75.1 - 150 | d - 15 | 10 |
| 150.1 - 300 | d - 20 | 12 |
| 300.1 - 450 | d - 25 | 18 |
| 450.1 - 575 | d - 30 | 20 |

All Dimensions Are Millimeters

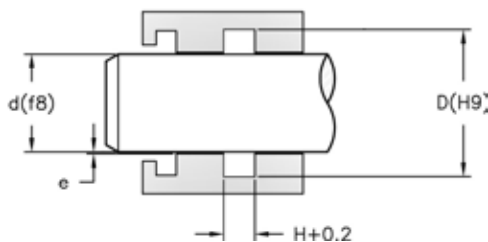
Piston Cup



Application: Hydraulic single acting piston seals
Material: Urethane, NBR, PTFE, Fluorocarbon

ROD SEALS

U-Seals



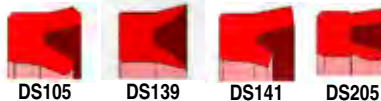
Application: Hydraulic single acting rod seals
Material: Urethane, NBR, PTFE, Fluorocarbon

Standard Recommended Dimensions

| d (Range) | D | H |
|-------------|--------|----|
| 8 - 25 | d + 8 | 6 |
| 25.1 - 50 | d + 10 | 8 |
| 50.1 - 150 | d + 15 | 10 |
| 150.1 - 300 | d + 20 | 14 |
| 300.1 - 450 | d + 25 | 17 |
| 450.1 - 575 | d + 30 | 20 |

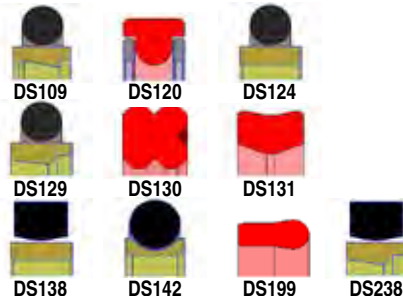
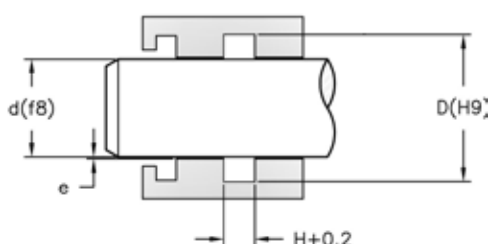
All Dimensions Are Millimeters

Pneumatic U-Seals



Pressure: 350 psi max
Application: Hydraulic and pneumatic single acting rod seals
Material: Urethane, NBR, PTFE, Fluorocarbon

One and Two Piece Seals



Application: Hydraulic double acting rod seals
Material: Urethane, NBR, PTFE, Fluorocarbon

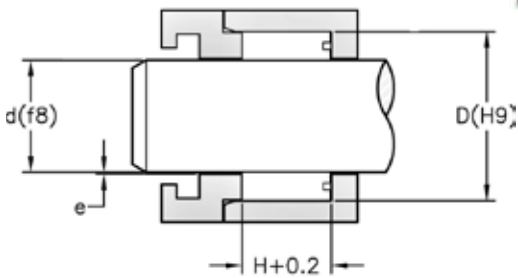
Standard Recommended Dimensions

| d (Range) | D | H |
|-------------|----------|-----|
| 8 - 10 | d + 4.9 | 2.2 |
| 10.1 - 39 | d + 10.7 | 4.2 |
| 39.1 - 199 | d + 15.1 | 6.3 |
| 199.1 - 259 | d + 20.5 | 8.1 |
| 259.1 - 575 | d + 24 | 8.1 |

All Dimensions Are Millimeters

ROD SEALS

Vee Packing



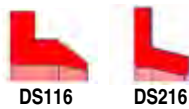
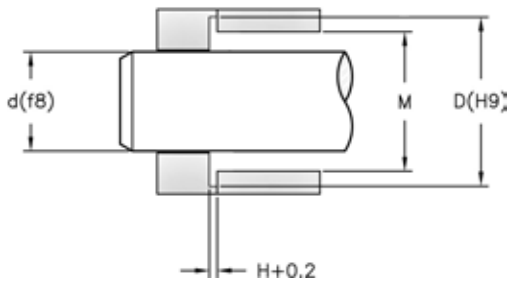
Standard Recommended Dimensions

| d (Range) | D | H |
|-------------|--------|----|
| 10 - 40 | d + 10 | 16 |
| 40.1 - 75 | d + 15 | 25 |
| 75.1 - 150 | d + 20 | 32 |
| 150.1 - 200 | d + 25 | 40 |
| 200.1 - 300 | d + 30 | 50 |
| 300.1 - 575 | d + 40 | 63 |

Application: Hydraulic single acting seals
Material: Urethane, NBR, PTFE, Fluorocarbon

All Dimensions Are Millimeters

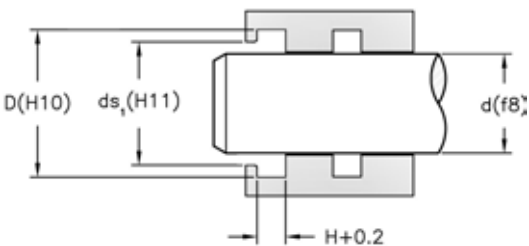
Rod Cup - Seal



Application: Hydraulic single acting rod seals
Material: Urethane, NBR, PTFE, Fluorocarbon

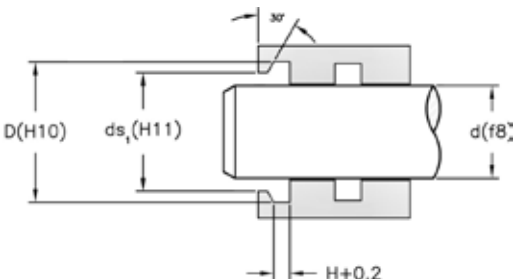
WIPERS

Single Acting Wipers



Application: Single acting wiper
Material: Urethane, NBR, PTFE, Fluorocarbon

Single Acting Wipers



Application: Single acting wiper
Material: Urethane, NBR, PTFE, Fluorocarbon

Standard Recommended Dimensions

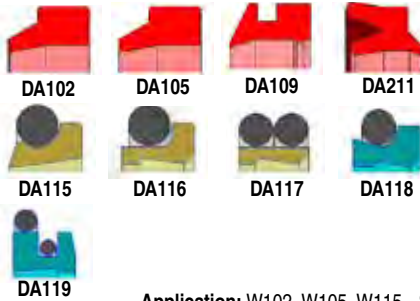
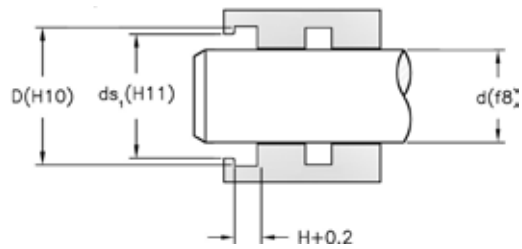
| d (Range) | D | H |
|-------------|---------|---|
| 8 - 50 | d + 4 | 5 |
| 50.1 - 100 | d + 5 | 5 |
| 100.1 - 575 | d - 7.5 | 7 |

All Dimensions Are Millimeters

CUSTOM SEALS

WIPERS

Single & Double Acting Wipers



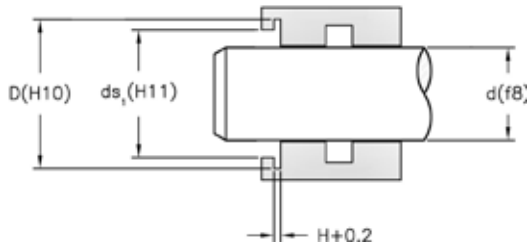
Standard Recommended Dimensions

| d (Range) | D | H |
|-------------|---------|---|
| 8 - 50 | d + 4 | 5 |
| 50.1 - 100 | d + 5 | 5 |
| 100.1 - 575 | d - 7.5 | 7 |

All Dimensions Are Millimeters

Application: W102, W105, W115 - Single acting wiper
W111, W211, W116, W117 - Single and double acting wiper
Material: Urethane, NBR, PTFE, Fluorocarbon

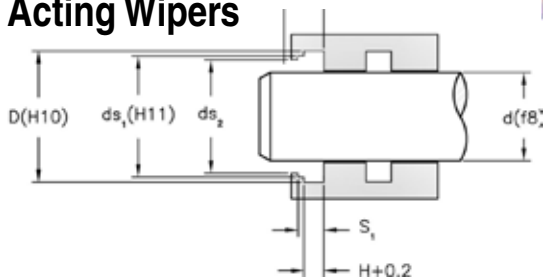
Single Acting Wipers



DA108

Application: Single acting wiper
Material: Urethane, NBR, PTFE, Fluorocarbon

Single and Double Acting Wipers



DA101

DA104

DA212

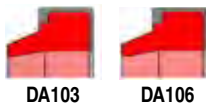
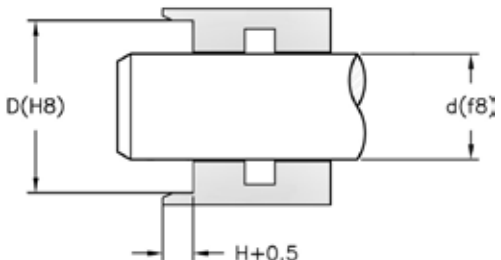
Standard Recommended Dimensions

| d (Range) | D | S ₁ |
|-------------|--------|----------------|
| 8 - 100 | d + 8 | 4 |
| 100.1 - 150 | d + 9 | 5.5 |
| 150 - 575 | d + 11 | 6.5 |

All Dimensions Are Millimeters

Application: Single acting wiper
Material: Urethane, NBR, PTFE, Fluorocarbon

Single Acting Wipers



DA103

DA106

Standard Recommended Dimensions

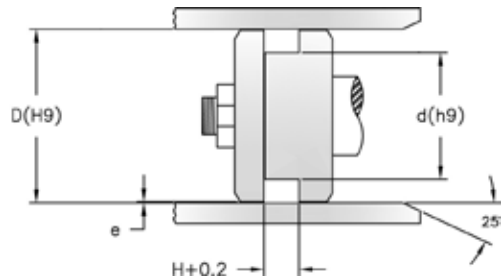
| d (Range) | D | S ₁ |
|-------------|--------|----------------|
| 8 - 10 | d + 8 | 5 |
| 10.1 - 100 | d + 9 | 7 |
| 100.1 - 200 | d + 15 | 9 |
| 200.1 - 575 | d + 20 | 12 |

All Dimensions Are Millimeters

Application: Single acting wiper
Material: Urethane, NBR, PTFE, Fluorocarbon

ROTARY PISTON SEALS

Piston Rotary Seal



Application: Hydraulic double acting piston seals
Material: Urethane, NBR, PTFE, Fluorocarbon

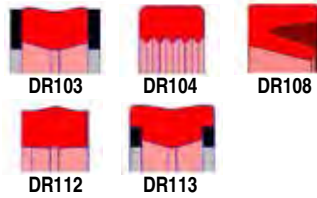
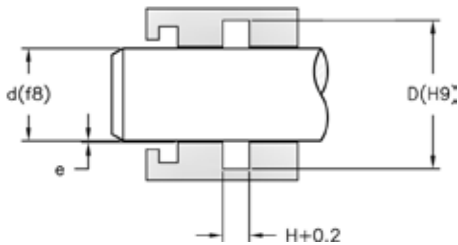
Standard Recommended Dimensions

| D (Range) | d | H |
|-------------|----------|-----|
| 10 - 20 | D - 4.9 | 2.2 |
| 20.1 - 50 | D - 7.5 | 3.2 |
| 50.1 - 150 | D - 11 | 4.2 |
| 150.1 - 300 | D - 15.5 | 6.3 |
| 300 - 600 | D - 21 | 8.1 |

All Dimensions Are Millimeters

ROTARY SHAFT SEALS

Rod Rotary Seals



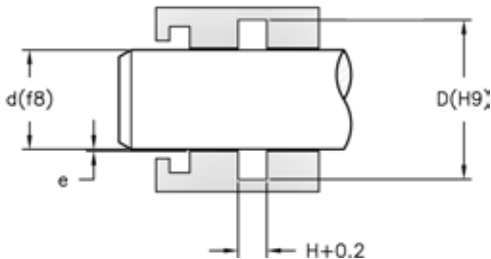
Application: Hydraulic double acting rod seals
Material: Urethane, NBR, PTFE, Fluorocarbon

Standard Recommended Dimensions

| D (Range) | D | H |
|-------------|----------|-----|
| 8 - 10 | d + 4.9 | 2.2 |
| 10.1 - 39 | d + 10.7 | 4.2 |
| 39.1 - 199 | d + 15.1 | 6.3 |
| 199.1 - 259 | d + 20.5 | 8.1 |
| 259 - 575 | d + 25 | 8.1 |

All Dimensions Are Millimeters

Rod Rotary Seals



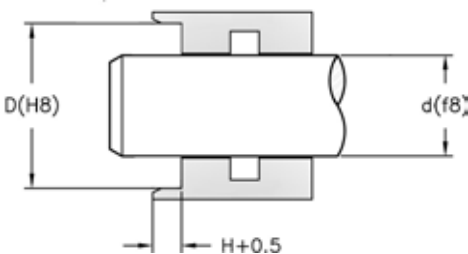
Application: Hydraulic double acting rod seals
Material: Urethane, NBR, PTFE, Fluorocarbon

Standard Recommended Dimensions

| d (Range) | D | H |
|-------------|----------|-----|
| 8 - 20 | d + 4.9 | 2.2 |
| 20.1 - 50 | d + 7.5 | 3.2 |
| 50.1 - 150 | d + 11 | 4.2 |
| 150.1 - 300 | d + 15.5 | 6.3 |
| 300.1 - 575 | d + 21 | 8.1 |

All Dimensions Are Millimeters

Shaft Seals



Application: Hydraulic single acting shaft seals
Material: NBR, Fluorocarbon, PTFE

Standard Recommended Dimensions

| d (Range) | D | H |
|-------------|--------|----|
| 10 - 60 | d + 12 | 7 |
| 60.1 - 140 | d + 15 | 8 |
| 14.1 - 300 | d + 20 | 10 |
| 300.1 - 450 | d + 30 | 12 |
| 450.1 - 575 | d + 40 | 20 |

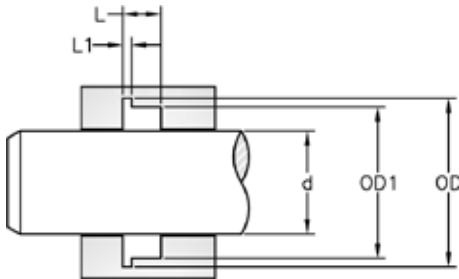
All Dimensions Are Millimeters

CUSTOM SEALS



ROTARY SHAFT SEALS

Spring Activated Shaft Seal



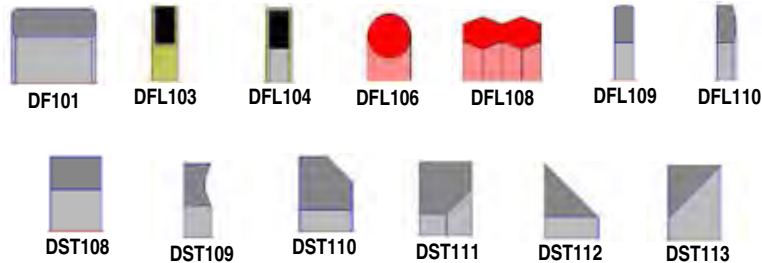
Standard Recommended Dimensions

| d (Range) | OD | OD ₁ | L | L ₁ |
|-------------|----------|-----------------|-----|----------------|
| 8 - 20 | d + 9 | d + 5 | 36 | 0.85 |
| 50.1 - 80 | d + 12.5 | d + 7 | 4.8 | 1.35 |
| 80.1 - 150 | d + 17.5 | d + 10.5 | 7.1 | 1.8 |
| 150.1 - 300 | d + 22 | d + 14 | 9.5 | 2.8 |

All Dimensions Are Millimeters

Application: Hydraulic single acting shaft seals
Material: PTFE

GASKET / BACK-UP RINGS



GUIDE-RINGS



To place an order Call 1.800.777.5617 and press 8

Please provide the following information:

- Groove dimensions
- Seal profile
- Seal material

The Hercules® Seals On Demand inventory includes sizes from 1/4" to 24", 9 material choices, 3 durometers; Hundreds of combinations, all in-stock and ready for next day delivery!

MATERIAL INDEX

Material Specifications:

- 85A NBR (Black)
- 85A Fluorocarbon / Viton (Brown)
- 85A HNBR (Green)
- 85A EPDM (Black)
- 55D Virgin PTFE (White)
- 40% Bronze/PTFE (Bronze)
- 15% Glass/5% Moly PTFE (Black)
- 85D Polyacetal (POM) (White)
- 86D Virgin PEEK (Cream)
- 96A Hydrolysis Resistant Polyurethane (Red)
- 94A Cast Hydrolysis Resistant Polyurethane (Red)
- 55D Hytrel (Orange)
- 61D UHMW (White)
- 77D Polyamide (PA) (Black)
- 86D Synthetic Fabric Thermoset Resin (SFTR) (Turquoise)

CUSTOM SEALS

| MATERIAL | | | HPU | C-HPU Cast | Hytrel | NBR | HNBR | FPM | EPDM |
|----------------------------|-------------------|----------|------|------------|--------|-------|-------|-------|-------|
| Property | Specification | Unit | | | | | | | |
| Color | | | Red | Red | Orange | Black | Green | Brown | Black |
| Min Service Temp | | °F | -5 | -35 | -65 | -35 | -30 | -30 | -50 |
| Max Service Temp | | °F | 240 | 230 | 275 | 230 | 300 | 425 | 300 |
| Max Temp - Water/Steam | | °F | 195 | 195 | | | 245 | 300 | 300 |
| Max Temp - Hot Air (short) | | °F | | | | | 355 | 570 | 355 |
| Hardness | ASTM D 2240 | Shore A | 96±2 | 94±1 | | 85±5 | 85±5 | 85±5 | 85±5 |
| Hardness | ASTM D 2240 | Shore D | 47±3 | 44±3 | 55 | | | | |
| Modulus 100% | ASTM D 412 | psi | 2900 | 2175 | 2250 | 1740 | 1450 | 1160 | |
| Modulus 300% | ASTM D 412 | psi | 5800 | 4160 | | | | | |
| Tensile Strength | ASTM D 412 | psi | 6200 | 7250 | 6100▲ | 2300 | 2900 | 1450 | 1740 |
| Elongation at break | ASTM D 412 | % | 300 | 350 | 520▲ | 150 | 200 | 200 | 80 |
| Tear Strength | ASTM D 624 die C | lbf/inch | 570 | 560 | | 140 | 170 | 34 | 50 |
| Abrasion | ASTM D 1630 | mm3 | 17 | 20 | | 130 | 130 | 200 | 140 |
| Specific Gravity | ASTM D 792 | g/cm3 | 1.19 | 1.19 | 1.19 | 1.32 | 1.32 | 2.51 | 1.23 |
| Rebound Elasticity | DIN 53512 | % | | | | 20 | | 7 | 37 |
| Modulus of Elasticity | DIN 53457 | N/mm2 | | | | | | | |
| Compressive Strength | ASTM D 695 | psi | | | | | | | |
| Compressive Modulus | ASTM D 695 | psi | | | | | | | |
| Compression Set | | | | | | | | | |
| 70°C/24hr @ 20% def | ASTM D 395 Meth B | % | 25 | 27 | 40% | 6 | 14 | 8 | 7 |
| 100°C/24hr @ 20% def | ASTM D 395 Meth B | % | 30 | 33 | | 5 | 22 | 10 | |

| | |
|----------------------|-------------------|
| * Lead time required | ▼Spec - DIN 53505 |
| ▲Spec - ASTM D 638 | ◀Spec - DIN 53504 |
| ▶Spec - DIN 53455 | ●Spec - DIN 53479 |



MATERIAL INDEX

Material Specifications:

- 85A NBR (Black)
- 85A Fluorocarbon / Viton (Brown)
- 85A HNBR (Green)
- 85A EPDM (Black)
- 55D Virgin PTFE (White)
- 40% Bronze/PTFE (Bronze)
- 15% Glass/5% Moly PTFE (Black)
- 85D Polyacetal (POM) (White)
- 86D Virgin PEEK (Cream)
- 96A Hydrolysis Resistant Polyurethane (Red)
- 94A Cast Hydrolysis Resistant Polyurethane (Red)
- 55D Hytrel (Orange)
- 61D UHMW (White)
- 77D Polyamide (PA) (Black)
- 86D Synthetic Fabric Thermoset Resin (SFTR) (Turquoise)

| MATERIAL | | | PTFE Virgin | PTFE 15% Glass | PTFE 40% Bronze | POM | PA Nylon | UHMW-PE* | PEEK* | SFTR |
|----------------------------|-------------------|-------------------|-------------|----------------|-----------------|-------|----------|----------|--------|-----------|
| Property | Specification | Unit | | | | | | | | |
| Color | | | White | Grey | Brown | White | Black | Natural | Cream | Turquoise |
| Min Service Temp | | °F | -325 | -325 | -325 | -50 | -40 | -325 | | -40 |
| Max Service Temp | | °F | 500 | 500 | 500 | 210 | 210 | 175 | 500 | 309 |
| Max Temp - Water/Steam | | °F | | | | | | | | |
| Max Temp - Hot Air (short) | | °F | | | | | | | | |
| Hardness | ASTM D 2240 | Shore A | | | | | | | | |
| Hardness | ASTM D 2240 | Shore D | 50-65 | 58-63 | 61-67 | 85±3 | 77 | 61 | 86 | 86 |
| Modulus 100% | ASTM D 412 | psi | | | | | | | | |
| Modulus 300% | ASTM D 412 | psi | | | | | | | | |
| Tensile Strength | ASTM D 412 | psi | 6000▲ | 3000▲ | 3300▲ | 10100 | 9400◄ | 5800▲ | 14000◄ | |
| Elongation at break | ASTM D 412 | % | 300▲ | 280▲ | 250▲ | 40 | 120◄ | 350▲ | 50◄ | |
| Tear Strength | ASTM D 624 die C | lbf/inch | | | | | | | | |
| Abrasion | ASTM D 1630 | mm ³ | | | | | | | | |
| Specific Gravity | ASTM D 792 | g/cm ³ | 2.2 | 2.2 | 3.13 | 1.41 | 1.15● | 0.93● | 1.32● | 1.3 |
| Rebound Elasticity | DIN 53512 | % | | | | | | | | |
| Modulus of Elasticity | DIN 53457 | N/mm ² | | | | 3000 | 1800 | 98000 | 3600 | |
| Compressive Strength | ASTM D 695 | psi | 3500 | 1055 | 1470 | 12800 | | | | 54375 |
| Compressive Modulus | ASTM D 695 | psi | 70000 | 63000 | 66000 | | | | | 406105 |
| Compression Set | | | | | | | | | | |
| 70°C/24hr @ 20% def | ASTM D 395 Meth B | % | | | | | | | | |
| 100°C/24hr @ 20% def | ASTM D 395 Meth B | % | | | | | | | | |

| | |
|----------------------|-------------------|
| * Lead time required | ▼Spec - DIN 53505 |
| ▲Spec - ASTM D 638 | ◄Spec - DIN 53504 |
| ▶Spec - DIN 53455 | ●Spec - DIN 53479 |

Inch Seals

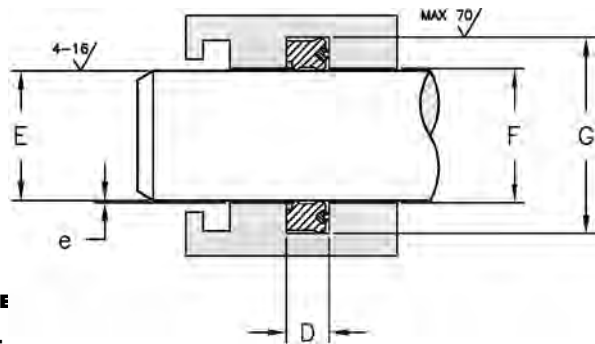
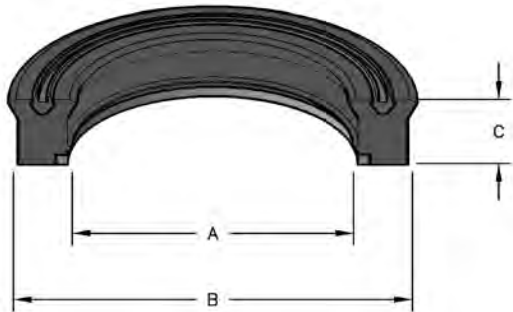
| Contents | Page |
|--|-------------|
| Rod U-Seals | 12 - 49 |
| Piston U-Seals | 50 - 62 |
| U-Seals | 63 - 163 |
| Rod Buffer Seals | 164 - 175 |
| Vee Packing Sets | 176 - 184 |
| Individual Vee Rings and Adaptors | 185 - 189 |
| WV Packing | 190 - 194 |
| Piston Cups | 195 - 201 |
| T-Seals | 202 - 213 |
| Unitized Pistons | 214 - 215 |
| Piston Seal Assemblies | 216 - 260 |
| Iron Piston Rings | 261 - 267 |
| Wear Rings, Power Bands and Bearings | 268 - 285 |
| Wiper Rings | 286 - 331 |
| Oil Seals | 332 - 339 |
| O-Rings, Quad Rings, Head and Flange Seals | 340 - 400 |
| Fiber Gaskets | 401 |
| Back-Up Rings | 402 - 428 |
| Retainer Rings | 429 - 444 |
| Metric / Inch Conversion Table | 445 |



STYLE RTUB SUPER-DUTY ROD U-SEALS

Featuring high pressure and high shock load capability, this seal utilizes the same twin lip design found in Hercules® Sealing Products' RTU style. With the main body of the seal molded from high performance polyurethane, this seal incorporates a dynamically designed nitrile energizer and a tough polyacetal anti-extrusion ring. RTUB is capable of pressures up to 10,000 psi in approved applications. Please consult Hercules Engineering for pressures above 6,000 psi.

ROD U-SEALS



HERCULES PART NUMBER

RTUB 18 - 1.25 - 25
 Type of Seal Cross Section Inside Diameter Height

| SEAL INFORMATION | | | | | |
|------------------------------|---|-----------|-------------------|-----------|------------|
| MATERIAL | 94A URETHANE SEAL RUBBER ENERGIZER POLYACETAL ANTI-EXTRUSION RING | | | | |
| MAXIMUM OPERATING CONDITIONS | | | | | |
| MAXIMUM SPEED | PRESSURE RANGE | | TEMPERATURE RANGE | | |
| 3 FT/SEC | 0 - 6,000 PSI | | -50° to +230° F | | |
| MAXIMUM EXTRUSION GAP | | | | | |
| PRESSURE | 2,400 PSI | 3,750 PSI | 6,000 PSI | 7,500 PSI | 10,000 PSI |
| MAX. DIAM. GAP | .040" | .032" | .024" | .016" | .010" |

| Part Number | A Nom. ID | B Nom. OD | C Nom. Ht | D GROOVE WIDTH | E ROD DIAMETER | F THROAT DIAMETER | G HOUSING DIAMETER | List Price |
|------------------|-----------|-----------|-----------|--|---|---|--------------------|------------|
| 3/16" C/S | | | | | | | | |
| RTUB18-1.25-25 | 1-1/4 | 1-5/8 | 1/4 | .275 ⁺⁰¹⁰ / ₊₀₀₀ | 1.250 ⁻⁰⁰¹⁰ / ₋₀₀₃₄ | 1.251 ⁺⁰⁰³ / ₊₀₀₀ | 1.625 ±.0031 | \$ 13.25 |
| RTUB18-1.25-31 | 1-1/4 | 1-5/8 | .313 | .344 ⁺⁰¹⁰ / ₊₀₀₀ | 1.250 ⁻⁰⁰¹⁰ / ₋₀₀₃₄ | 1.251 ⁺⁰⁰³ / ₊₀₀₀ | 1.625 ±.0031 | 13.49 |
| RTUB18-1.50-25 | 1-1/2 | 1-7/8 | 1/4 | .275 ⁺⁰¹⁰ / ₊₀₀₀ | 1.500 ⁻⁰⁰¹⁰ / ₋₀₀₃₄ | 1.501 ⁺⁰⁰³ / ₊₀₀₀ | 1.875 ±.0031 | 16.79 |
| RTUB18-1.50-31 | 1-1/2 | 1-7/8 | 5/16 | .344 ⁺⁰¹⁰ / ₊₀₀₀ | 1.500 ⁻⁰⁰¹⁰ / ₋₀₀₃₄ | 1.501 ⁺⁰⁰³ / ₊₀₀₀ | 1.875 ±.0031 | 16.79 |
| RTUB18-1.75-25 | 1-3/4 | 2-1/8 | 1/4 | .275 ⁺⁰¹⁰ / ₊₀₀₀ | 1.750 ⁻⁰⁰¹⁰ / ₋₀₀₃₄ | 1.751 ⁺⁰⁰³ / ₊₀₀₀ | 2.125 ±.0037 | 17.96 |
| RTUB18-1.75-37 | 1-3/4 | 2-1/8 | 3/8 | .413 ⁺⁰¹⁰ / ₊₀₀₀ | 1.750 ⁻⁰⁰¹⁰ / ₋₀₀₃₄ | 1.751 ⁺⁰⁰³ / ₊₀₀₀ | 2.125 ±.0037 | 18.04 |
| RTUB18-2.00-37 | 2 | 2-3/8 | 3/8 | .413 ⁺⁰¹⁰ / ₊₀₀₀ | 2.000 ⁻⁰⁰¹² / ₋₀₀₄₁ | 2.001 ⁺⁰⁰⁴ / ₊₀₀₀ | 2.375 ±.0037 | 20.32 |
| RTUB18-3.75-37 | 3-3/4 | 4-1/8 | 3/8 | .413 ⁺⁰¹⁰ / ₊₀₀₀ | 3.750 ⁻⁰⁰¹⁴ / ₋₀₀₄₈ | 3.751 ⁺⁰⁰⁴ / ₊₀₀₀ | 4.125 ±.0043 | 41.37 |

NORTH AMERICA
 PHONE 1-800-777-5617
 FAX 1-800-759-6391

SALES OFFICE HOURS
 8 A.M. TO 7:30 P.M. EASTERN TIME
www.HerculesUS.com

WORLDWIDE
 PHONE 1-727-796-1300
 FAX 1-727-797-8849



STYLE RTUB SUPER-DUTY ROD U-SEALS

ROD U-SEALS

| Part Number | A Nom. ID | B Nom. OD | C Nom. Ht | D GROOVE WIDTH | E ROD DIAMETER | F THROAT DIAMETER | G HOUSING DIAMETER | List Price |
|------------------|--------------|--------------|--------------|--|---|---|--------------------------|---------------|
| 1/4" C/S | | | | | | | | |
| RTUB25-1.37-37 | 1-3/8 | 1-7/8 | 3/8 | .413 ⁺⁰¹⁰ / ₊₀₀₀ | 1.375 ⁻⁰⁰¹⁰ / ₋₀₀₃₄ | 1.376 ⁺⁰⁰³ / ₊₀₀₀ | 1.875 ±.0031 | \$ 16.67 |
| RTUB25-1.50-37 | 1-1/2 | 2 | 3/8 | .413 ⁺⁰¹⁰ / ₊₀₀₀ | 1.500 ⁻⁰⁰¹⁰ / ₋₀₀₃₄ | 1.501 ⁺⁰⁰³ / ₊₀₀₀ | 2.000 ±.0037 | 18.39 |
| RTUB25-1.75-37 | 1-3/4 | 2-1/4 | 3/8 | .413 ⁺⁰¹⁰ / ₊₀₀₀ | 1.750 ⁻⁰⁰¹⁰ / ₋₀₀₃₄ | 1.751 ⁺⁰⁰³ / ₊₀₀₀ | 2.250 ±.0037 | 20.32 |
| RTUB25-2.00-37 | 2 | 2-1/2 | 3/8 | .413 ⁺⁰¹⁰ / ₊₀₀₀ | 2.000 ⁻⁰⁰¹² / ₋₀₀₄₁ | 2.001 ⁺⁰⁰⁴ / ₊₀₀₀ | 2.500 ±.0037 | 22.13 |
| RTUB25-2.12-37 | 2-1/8 | 2-5/8 | 3/8 | .413 ⁺⁰¹⁰ / ₊₀₀₀ | 2.125 ⁻⁰⁰¹² / ₋₀₀₄₁ | 2.126 ⁺⁰⁰⁴ / ₊₀₀₀ | 2.625 ±.0037 | 23.37 |
| RTUB25-2.25-37 | 2-1/4 | 2-3/4 | 3/8 | .413 ⁺⁰¹⁰ / ₊₀₀₀ | 2.250 ⁻⁰⁰¹² / ₋₀₀₄₁ | 2.251 ⁺⁰⁰⁴ / ₊₀₀₀ | 2.750 ±.0037 | 24.91 |
| RTUB25-2.37-37 | 2-3/8 | 2-7/8 | 3/8 | .413 ⁺⁰¹⁰ / ₊₀₀₀ | 2.375 ⁻⁰⁰¹² / ₋₀₀₄₁ | 2.376 ⁺⁰⁰⁴ / ₊₀₀₀ | 2.875 ±.0037 | 25.94 |
| RTUB25-2.50-37 | 2-1/2 | 3 | 3/8 | .413 ⁺⁰¹⁰ / ₊₀₀₀ | 2.500 ⁻⁰⁰¹² / ₋₀₀₄₁ | 2.501 ⁺⁰⁰⁴ / ₊₀₀₀ | 3.000 ±.0037 | 27.26 |
| RTUB25-2.75-37 | 2-3/4 | 3-1/4 | 3/8 | .413 ⁺⁰¹⁰ / ₊₀₀₀ | 2.750 ⁻⁰⁰¹² / ₋₀₀₄₁ | 2.751 ⁺⁰⁰⁴ / ₊₀₀₀ | 3.250 ±.0043 | 29.88 |
| RTUB25-3.00-37 | 3 | 3-1/2 | 3/8 | .413 ⁺⁰¹⁰ / ₊₀₀₀ | 3.000 ⁻⁰⁰¹² / ₋₀₀₄₁ | 3.001 ⁺⁰⁰⁴ / ₊₀₀₀ | 3.500 ±.0043 | 32.37 |
| RTUB25-3.25-37 | 3-1/4 | 3-3/4 | 3/8 | .413 ⁺⁰¹⁰ / ₊₀₀₀ | 3.250 ⁻⁰⁰¹⁴ / ₋₀₀₄₈ | 3.251 ⁺⁰⁰⁴ / ₊₀₀₀ | 3.750 ±.0043 | 34.59 |
| RTUB25-3.50-37 | 3-1/2 | 4 | 3/8 | .413 ⁺⁰¹⁰ / ₊₀₀₀ | 3.500 ⁻⁰⁰¹⁴ / ₋₀₀₄₈ | 3.501 ⁺⁰⁰⁴ / ₊₀₀₀ | 4.000 ±.0043 | 37.26 |
| RTUB25-3.62-37 | 3-5/8 | 4-1/8 | 3/8 | .413 ⁺⁰¹⁰ / ₊₀₀₀ | 3.625 ⁻⁰⁰¹ / ₋₀₀₅ | 3.626 ⁺⁰⁰⁴ / ₊₀₀₀ | 4.125 ±.004 | 38.38 |
| RTUB25-3.75-37 | 3-3/4 | 4-1/4 | 3/8 | .413 ⁺⁰¹⁰ / ₊₀₀₀ | 3.750 ⁻⁰⁰¹ / ₋₀₀₅ | 3.751 ⁺⁰⁰⁴ / ₊₀₀₀ | 4.250 ±.004 | 39.51 |
| RTUB25-4.00-37 | 4 | 4-1/2 | 3/8 | .413 ⁺⁰¹⁰ / ₊₀₀₀ | 4.000 ⁻⁰⁰¹⁴ / ₋₀₀₄₈ | 4.001 ⁺⁰⁰⁴ / ₊₀₀₀ | 4.500 ±.0043 | 41.75 |
| RTUB25-4.00-56 | 4 | 4-1/2 | 9/16 | .619 ⁺⁰¹⁰ / ₊₀₀₀ | 4.000 ⁻⁰⁰¹⁴ / ₋₀₀₄₈ | 4.001 ⁺⁰⁰⁴ / ₊₀₀₀ | 4.500 ±.0043 | 45.27 |
| RTUB25-4.50-37 | 4-1/2 | 5 | 3/8 | .413 ⁺⁰¹⁰ / ₊₀₀₀ | 4.500 ⁻⁰⁰¹⁴ / ₋₀₀₄₈ | 4.501 ⁺⁰⁰⁴ / ₊₀₀₀ | 5.000 ±.0049 | 49.74 |
| RTUB25-4.50-56 | 4-1/2 | 5 | 9/16 | .619 ⁺⁰¹⁰ / ₊₀₀₀ | 4.500 ⁻⁰⁰¹⁴ / ₋₀₀₄₈ | 4.501 ⁺⁰⁰⁴ / ₊₀₀₀ | 5.000 ±.0049 | 49.74 |
| RTUB25-5.00-56 | 5 | 5-1/2 | 9/16 | .619 ⁺⁰¹⁰ / ₊₀₀₀ | 5.000 ⁻⁰⁰¹⁷ / ₋₀₀₅₆ | 5.001 ⁺⁰⁰⁴ / ₊₀₀₀ | 5.500 ±.0049 | 56.65 |
| RTUB25-5.50-56 | 5-1/2 | 6 | 9/16 | .619 ⁺⁰¹⁰ / ₊₀₀₀ | 5.500 ⁻⁰⁰¹⁷ / ₋₀₀₅₆ | 5.501 ⁺⁰⁰⁴ / ₊₀₀₀ | 6.000 ±.0049 | 66.32 |
| RTUB25-6.00-56 | 6 | 6-1/2 | 9/16 | .619 ⁺⁰¹⁰ / ₊₀₀₀ | 6.000 ⁻⁰⁰¹⁷ / ₋₀₀₅₆ | 6.001 ⁺⁰⁰⁴ / ₊₀₀₀ | 6.500 ±.0049 | 73.06 |
| RTUB25-7.00-50 | 7 | 7-1/2 | 1/2 | .550 ⁺⁰¹⁰ / ₊₀₀₀ | 7.000 ⁻⁰¹³ / ₋₀₄₉ | 7.001 ⁺⁰⁰³ / ₊₀₀₀ | 7.500 ±.045 | 91.22 |
| 5/16" C/S | | | | | | | | |
| RTUB31-2.50-50 | 2-1/2 | 3-1/8 | 1/2 | .550 ⁺⁰¹⁰ / ₊₀₀₀ | 2.500 ⁻⁰⁰¹² / ₋₀₀₄₁ | 2.501 ⁺⁰⁰⁴ / ₊₀₀₀ | 3.125 ±.0037 | \$30.15 |
| RTUB31-3.00-50 | 3 | 3-5/8 | 1/2 | .550 ⁺⁰¹⁰ / ₊₀₀₀ | 3.000 ⁻⁰⁰¹² / ₋₀₀₄₁ | 3.001 ⁺⁰⁰⁴ / ₊₀₀₀ | 3.625 ±.0043 | 37.14 |
| RTUB31-3.50-50 | 3-1/2 | 4-1/8 | 1/2 | .550 ⁺⁰¹⁰ / ₊₀₀₀ | 3.500 ⁻⁰⁰¹⁴ / ₋₀₀₄₈ | 3.501 ⁺⁰⁰⁴ / ₊₀₀₀ | 4.125 ±.0043 | 43.18 |
| RTUB31-4.00-37 | 4 | 4-5/8 | 3/8 | .413 ⁺⁰¹⁰ / ₊₀₀₀ | 4.000 ⁻⁰⁰¹ / ₋₀₀₅ | 4.001 ⁺⁰⁰⁴ / ₊₀₀₀ | 4.625 ±.004 | 46.84 |
| RTUB31-4.00-50 | 4 | 4-5/8 | 1/2 | .550 ⁺⁰¹⁰ / ₊₀₀₀ | 4.000 ⁻⁰⁰¹⁴ / ₋₀₀₄₈ | 4.001 ⁺⁰⁰⁴ / ₊₀₀₀ | 4.625 ±.0043 | 44.52 |
| RTUB31-4.00-56 | 4 | 4-5/8 | 9/16 | .619 ⁺⁰¹⁰ / ₊₀₀₀ | 4.000 ⁻⁰⁰¹⁴ / ₋₀₀₄₈ | 4.001 ⁺⁰⁰⁴ / ₊₀₀₀ | 4.625 ±.0043 | 49.16 |
| RTUB31-4.50-37 | 4-1/2 | 5-1/8 | 3/8 | .413 ⁺⁰¹⁰ / ₊₀₀₀ | 4.500 ⁻⁰⁰¹ / ₋₀₀₅ | 4.501 ⁺⁰⁰⁴ / ₊₀₀₀ | 5.125 ±.005 | 59.16 |
| RTUB31-4.50-62 | 4-1/2 | 5-1/8 | 5/8 | .688 ⁺⁰¹⁰ / ₊₀₀₀ | 4.500 ⁻⁰⁰¹⁴ / ₋₀₀₄₈ | 4.501 ⁺⁰⁰⁴ / ₊₀₀₀ | 5.125 ±.0049 | 54.75 |
| RTUB31-5.00-62 | 5 | 5-5/8 | 5/8 | .688 ⁺⁰¹⁰ / ₊₀₀₀ | 5.000 ⁻⁰⁰¹⁷ / ₋₀₀₅₆ | 5.001 ⁺⁰⁰⁴ / ₊₀₀₀ | 5.625 ±.0049 | 63.57 |

FORMERLY LISTED SEALS ARE AVAILABLE ONLINE AT WWW.HERCULESUS.COM
OR BY CONTACTING YOUR REGIONAL HERCULES SALES TEAM.



STYLE RTUB SUPER-DUTY ROD U-SEALS

ROD U-SEALS

| Part Number | A Nom. ID | B Nom. OD | C Nom. Ht | D GROOVE WIDTH | E ROD DIAMETER | F THROAT DIAMETER | G HOUSING DIAMETER | List Price |
|-----------------|-----------|-----------|-----------|--|--|--|--------------------|------------|
| RTUB31-5.50-37 | 5-1/2 | 6-1/8 | 3/8 | .413 ⁺⁰¹⁰ / ₊₀₀₀ | 5.500 ⁻⁰⁰² / ₋₀₀₆ | 5.501 ⁺⁰⁰⁴ / ₊₀₀₀ | 6.125 ±.005 | 78.46 |
| 3/8" C/S | | | | | | | | |
| RTUB37-3.00-62 | 3 | 3-3/4 | 5/8 | .688 ⁺⁰¹⁰ / ₊₀₀₀ | 3.000 ⁻⁰⁰¹² / ₋₀₀₄₁ | 3.001 ⁺⁰⁰⁴ / ₊₀₀₀ | 3.750 ±.0043 | \$52.60 |
| RTUB37-3.25-62 | 3-1/4 | 4 | 5/8 | .688 ⁺⁰¹⁰ / ₊₀₀₀ | 3.250 ⁻⁰⁰¹⁴ / ₋₀₀₄₈ | 3.251 ⁺⁰⁰⁴ / ₊₀₀₀ | 4.000 ±.0043 | 50.64 |
| RTUB37-3.50-62 | 3-1/2 | 4-1/4 | 5/8 | .688 ⁺⁰¹⁰ / ₊₀₀₀ | 3.500 ⁻⁰⁰¹⁴ / ₋₀₀₄₈ | 3.501 ⁺⁰⁰⁴ / ₊₀₀₀ | 4.250 ±.0043 | 59.95 |
| RTUB37-4.00-62 | 4 | 4-3/4 | 5/8 | .688 ⁺⁰¹⁰ / ₊₀₀₀ | 4.000 ⁻⁰⁰¹⁴ / ₋₀₀₄₈ | 4.001 ⁺⁰⁰⁴ / ₊₀₀₀ | 4.750 ±.0049 | 67.37 |
| RTUB37-4.25-62 | 4-1/4 | 5 | 5/8 | .688 ⁺⁰¹⁰ / ₊₀₀₀ | 4.250 ⁻⁰⁰¹⁴ / ₋₀₀₄₈ | 4.251 ⁺⁰⁰⁴ / ₊₀₀₀ | 5.000 ±.0049 | 63.01 |
| RTUB37-4.50-62 | 4-1/2 | 5-1/4 | 5/8 | .688 ⁺⁰¹⁰ / ₊₀₀₀ | 4.500 ⁻⁰⁰¹⁴ / ₋₀₀₄₈ | 4.501 ⁺⁰⁰⁴ / ₊₀₀₀ | 5.250 ±.0049 | 73.62 |
| RTUB37-4.75-37 | 4-3/4 | 5-1/2 | 3/8 | .413 ⁺⁰¹⁰ / ₊₀₀₀ | 4.750 ⁻⁰⁰¹⁷ / ₋₀₀₅₆ | 4.751 ⁺⁰⁰⁴ / ₊₀₀₀ | 5.500 ±.0049 | 67.37 |
| RTUB37-4.75-62 | 4-3/4 | 5-1/2 | 5/8 | .688 ⁺⁰¹⁰ / ₊₀₀₀ | 4.750 ⁻⁰⁰¹⁷ / ₋₀₀₅₆ | 4.751 ⁺⁰⁰⁴ / ₊₀₀₀ | 5.500 ±.0049 | 69.84 |
| RTUB37-5.00-62 | 5 | 5-3/4 | 5/8 | .688 ⁺⁰¹⁰ / ₊₀₀₀ | 5.000 ⁻⁰⁰¹⁷ / ₋₀₀₅₆ | 5.001 ⁺⁰⁰⁴ / ₊₀₀₀ | 5.750 ±.0049 | 80.60 |
| RTUB37-5.25-62 | 5-1/4 | 6 | 5/8 | .688 ⁺⁰¹⁰ / ₊₀₀₀ | 5.250 ⁻⁰⁰² / ₋₀₀₆ | 5.251 ⁺⁰⁰⁴ / ₊₀₀₀ | 6.000 ±.005 | 78.46 |
| RTUB37-5.75-62 | 5-3/4 | 6-1/2 | 5/8 | .688 ⁺⁰¹⁰ / ₊₀₀₀ | 5.750 ⁻⁰⁰¹⁷ / ₋₀₀₅₆ | 5.751 ⁺⁰⁰⁴ / ₊₀₀₀ | 6.500 ±.0049 | 76.32 |
| RTUB37-6.00-62 | 6 | 6-3/4 | 5/8 | .688 ⁺⁰¹⁰ / ₊₀₀₀ | 6.000 ⁻⁰⁰¹⁷ / ₋₀₀₅₆ | 6.001 ⁺⁰⁰⁴ / ₊₀₀₀ | 6.750 ±.0049 | 94.37 |
| RTUB37-8.00-62 | 8 | 8-3/4 | 5/8 | .688 ⁺⁰¹⁰ / ₊₀₀₀ | 8.000 ⁻⁰⁰²⁰ / ₋₀₀₆₅ | 8.001 ⁺⁰⁰⁴ / ₊₀₀₀ | 8.750 ±.0057 | 153.29 |
| 1/2" C/S | | | | | | | | |
| RTUB50-10.00-75 | 10 | 11 | 3/4 | .825 ⁺⁰¹⁰ / ₊₀₀₀ | 10.000 ⁻⁰⁰²² / ₋₀₀₇₃ | 10.001 ⁺⁰⁰⁴ / ₊₀₀₀ | 11.000 ±.0063 | \$240.21 |

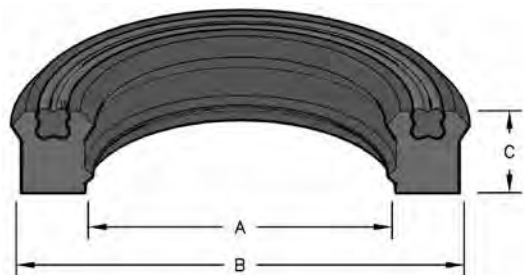
Online Ordering Available!
Go to www.HerculesUS.com

Place Your Order Today.
Web Features Include:
Real-Time Inventory, Search by Size,
Search by Machine Type,
Part Substitution, Billing Portal,
Large Order Upload, Wish List
and Much More.

Seal color may vary. Special order sizes are available. Sizes not shown and out of stock items can also be ordered for next day delivery through Seals On Demand, our custom seal program. Please call your regional sales team for assistance.

STYLE RTUL LOADED ROD U-SEAL

Molded from high performance polyurethane, style RTUL rod U-seals feature an expander for good low pressure sealing. The twin lip feature reduces friction and promotes stability.

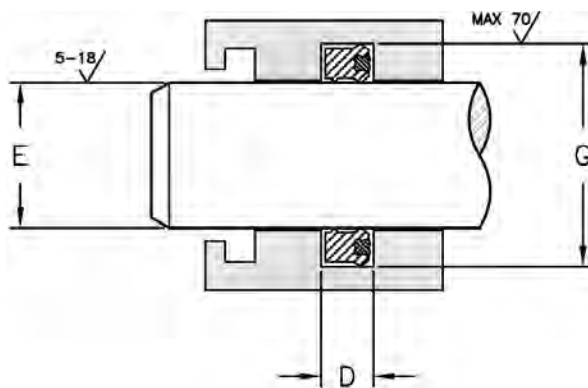


HERCULES PART NUMBERS

RTUL 21 - 1.25 - 31 BHT
 Type of Seal Cross Section Inside Diameter Height

| SEAL INFORMATION | |
|-------------------|----------------|
| MATERIAL | 95A URETHANE |
| TEMPERATURE RANGE | -40° TO +225°F |
| PRESSURE RANGE | 0 TO 5,000 PSI |
| SPEED | 3 FT/SEC |

Note: RTUSL has a canted coil energizer



ROD U-SEALS

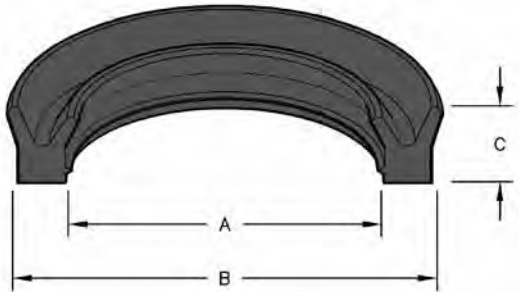
| Part Number | A Nom. ID | B Nom. OD | C Nom. Ht | D GROOVE WIDTH | E ROD DIAMETER | G HOUSING DIAMETER | List Price |
|-------------------|--------------|--------------|--------------|--|---|---|---------------|
| 7/32" C/S | | | | | | | |
| RTUL21-1.25-31BHT | 1-1/4 | 1-11/16 | 5/16 | .344 ^{+0.010} / _{+0.000} | 1.250 ^{+0.000} / _{-0.002} | 1.688 ^{+0.002} / _{+0.000} | \$14.63 |
| RTUL21-1.25-39BHT | 1-1/4 | 1-11/16 | 25/64 | .430 ^{+0.010} / _{+0.000} | 1.250 ^{+0.000} / _{-0.002} | 1.688 ^{+0.002} / _{+0.000} | 14.63 |
| RTUL21-1.37-31BHT | 1-3/8 | 1-13/16 | 5/16 | .344 ^{+0.010} / _{+0.000} | 1.375 ^{+0.000} / _{-0.002} | 1.813 ^{+0.002} / _{+0.000} | 15.36 |
| RTUL21-1.37-39BHT | 1-3/8 | 1-13/16 | 25/64 | .430 ^{+0.010} / _{+0.000} | 1.375 ^{+0.000} / _{-0.002} | 1.813 ^{+0.002} / _{+0.000} | 15.36 |
| RTUL21-1.50-37BHT | 1-1/2 | 1-15/16 | 3/8 | .413 ^{+0.010} / _{+0.000} | 1.500 ^{+0.000} / _{-0.002} | 1.938 ^{+0.002} / _{+0.000} | 15.76 |
| RTUL21-1.62-37BHT | 1-5/8 | 2-1/16 | 3/8 | .413 ^{+0.010} / _{+0.000} | 1.625 ^{+0.000} / _{-0.002} | 2.063 ^{+0.002} / _{+0.000} | 16.31 |
| RTUL21-1.62-39BHT | 1-5/8 | 2-1/16 | 25/64 | .430 ^{+0.010} / _{+0.000} | 1.625 ^{+0.000} / _{-0.002} | 2.063 ^{+0.002} / _{+0.000} | 16.31 |
| RTUL21-1.75-37BHT | 1-3/4 | 2-3/16 | 3/8 | .413 ^{+0.010} / _{+0.000} | 1.750 ^{+0.000} / _{-0.002} | 2.188 ^{+0.002} / _{+0.000} | 16.87 |
| RTUL21-1.75-39BHT | 1-3/4 | 2-3/16 | 25/64 | .430 ^{+0.010} / _{+0.000} | 1.750 ^{+0.000} / _{-0.002} | 2.188 ^{+0.002} / _{+0.000} | 16.87 |
| 1/4" C/S | | | | | | | |
| RTUL25-1.75-37BHT | 1-3/4 | 2-1/4 | 3/8 | .413 ^{+0.010} / _{+0.000} | 1.750 ^{+0.000} / _{-0.002} | 2.250 ^{+0.003} / _{+0.000} | \$26.16 |
| RTUL25-2.00-37BHT | 2 | 2-1/2 | 3/8 | .413 ^{+0.010} / _{+0.000} | 2.000 ^{+0.000} / _{-0.002} | 2.500 ^{+0.003} / _{+0.000} | 20.57 |
| RTUL25-2.25-37BHT | 2-1/4 | 2-3/4 | 3/8 | .413 ^{+0.010} / _{+0.000} | 2.250 ^{+0.000} / _{-0.002} | 2.750 ^{+0.003} / _{+0.000} | 40.43 |
| 11/32" C/S | | | | | | | |
| RTUSL34-5.00-37 | 5 | 5-11/16 | 3/8 | .413 | 5.000 | 5.687 | \$64.40 |
| RTUSL34-7.50-37 | 7-1/2 | 8-3/16 | 3/8 | .413 | 7.500 | 8.187 | 88.84 |
| RTUSL34-8.50-37 | 8-1/2 | 9-3/16 | 3/8 | .413 | 8.500 | 9.187 | 101.60 |

FORMERLY LISTED SEALS ARE AVAILABLE ONLINE AT WWW.HERCULESUS.COM
 OR BY CONTACTING YOUR REGIONAL HERCULES SALES TEAM.



STYLE RTU ASYMMETRIC TWIN LIP ROD U-SEALS

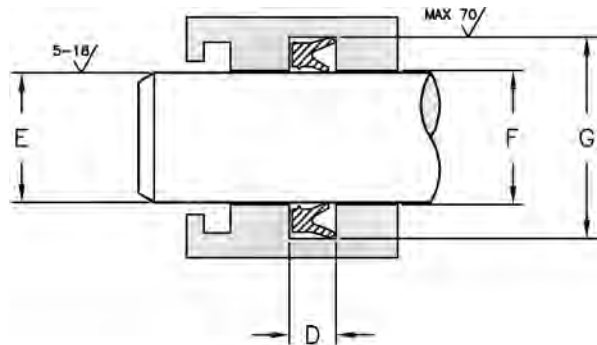
The twin lip design helps solve difficult rod sealing problems by providing lower friction, increased stability, and high dynamic lip force, while preventing air penetration from outside the cylinder.



HERCULES PART NUMBERS
RTU 12 - 0.37 - 19
 Type of Seal | Cross Section | Inside Diameter | Height

| SEAL INFORMATION | |
|-------------------|----------------|
| MATERIAL | 94A URETHANE |
| TEMPERATURE RANGE | -40° TO +225°F |
| PRESSURE RANGE | 0 TO 5,000 PSI |
| SPEED | 3 FT/SEC |

HT= HIGH TEMP MATERIAL UP TO +250°F



ROD U-SEALS

| Part Number | A Nom. ID | B Nom. OD | C Nom. Ht | D GROOVE WIDTH | E ROD DIAMETER | F THROAT DIAMETER | G HOUSING DIAMETER | List Price |
|----------------------|-----------|-----------|-----------|--|---|---|---|------------|
| 1/8" C/S | | | | | | | | |
| RTU12-0.37-19 | 3/8 | 5/8 | .198 | .218 ^{+0.010} / _{+0.000} | .375 ^{-0.001} / _{-0.002} | .376 ^{+0.003} / _{+0.000} | .625 ±.002 | \$5.27 |
| RTU12-0.50-18 | 1/2 | 3/4 | 3/16 | .207 ^{+0.010} / _{+0.000} | .500 ^{-0.0006} / _{-0.0023} | .501 ^{+0.003} / _{+0.000} | .750 ±.0026 | 5.36 |
| RTU12-0.62-18 | 5/8 | 7/8 | .187 | .207 ^{+0.010} / _{+0.000} | .625 ^{-0.0006} / _{-0.0023} | .626 ^{+0.003} / _{+0.000} | .875 ±.0026 | 5.59 |
| RTU12-0.62-25 | 5/8 | 7/8 | .241 | .265 ^{+0.010} / _{+0.000} | .625 ^{-0.001} / _{-0.002} | .626 ^{+0.003} / _{+0.000} | .875 ±.003 | 7.31 |
| RTU12-0.75-12 | 3/4 | 1 | 1/8 | .138 ^{+0.010} / _{+0.000} | .750 ^{-0.0008} / _{-0.0028} | .751 ^{+0.003} / _{+0.000} | 1.000 ±.003 | 6.42 |
| RTU12-0.75-18 | 3/4 | 1 | .187 | .207 ^{+0.010} / _{+0.000} | .750 ^{-0.0008} / _{-0.0028} | .751 ^{+0.003} / _{+0.000} | 1.000 ±.0026 | 5.65 |
| RTU12-0.75-25 | 3/4 | 1 | 1/4 | .275 ^{+0.010} / _{+0.000} | .750 ^{-0.001} / _{-0.003} | .751 ^{+0.003} / _{+0.000} | 1.000 ±.003 | 7.16 |
| RTU12-0.87-18 | 7/8 | 1-1/8 | .187 | .207 ^{+0.010} / _{+0.000} | .875 ^{-0.0008} / _{-0.0028} | .876 ^{+0.003} / _{+0.000} | 1.125 ±.0026 | 6.89 |
| RTU12-0.87-25 | 7/8 | 1-1/8 | 1/4 | .275 ^{+0.010} / _{+0.000} | .875 ^{-0.001} / _{-0.003} | .876 ^{+0.003} / _{+0.000} | 1.125 ±.003 | 6.99 |
| RTU12-1.00-18 | 1 | 1-1/4 | 3/16 | .207 ^{+0.010} / _{+0.000} | 1.000 ^{-0.001} / _{-0.003} | 1.001 ^{+0.003} / _{+0.000} | 1.250 ±.003 | 7.74 |
| RTU12-1.00-25 | 1 | 1-1/4 | 1/4 | .275 ^{+0.010} / _{+0.000} | 1.000 ^{-0.001} / _{-0.003} | 1.001 ^{+0.003} / _{+0.000} | 1.250 ±.003 | 7.63 |
| RTU12-1.00-25-BT4300 | 1 | 1-1/4 | 1/4 | .275 ^{+0.015} / _{+0.000} | 1.000 ^{+0.000} / _{-0.001} | 1.001 ^{+0.002} / _{+0.000} | 1.250 ^{+0.002} / _{+0.000} | 12.66 |
| RTU12-1.06-25 | 1.062 | 1.312 | 1/4 | .275 ^{+0.010} / _{+0.000} | 1.062 ^{-0.001} / _{-0.003} | 1.063 ^{+0.003} / _{+0.000} | 1.312 ±.003 | 7.72 |
| RTU12-1.12-18 | 1-1/8 | 1.368 | .187 | .207 ^{+0.010} / _{+0.000} | 1.125 ^{-0.001} / _{-0.003} | 1.126 ^{+0.003} / _{+0.000} | 1.368 ±.003 | 7.79 |
| RTU12-1.12-25 | 1-1/8 | 1-3/8 | 1/4 | .275 ^{+0.010} / _{+0.000} | 1.125 ^{-0.0008} / _{-0.0028} | 1.126 ^{+0.003} / _{+0.000} | 1.375 ±.003 | 6.24 |

NORTH AMERICA
 PHONE 1-800-777-5617
 FAX 1-800-759-6391

SALES OFFICE HOURS
 8 A.M. TO 7:30 P.M. EASTERN TIME
www.HerculesUS.com

WORLDWIDE
 PHONE 1-727-796-1300
 FAX 1-727-797-8849



STYLE RTU ASYMMETRIC TWIN LIP ROD U-SEALS

ROD U-SEALS

| Part Number | A Nom. ID | B Nom. OD | C Nom. Ht | D GROOVE WIDTH | E ROD DIAMETER | F THROAT DIAMETER | G HOUSING DIAMETER | List Price |
|------------------|-----------|-----------|-----------|--|---|---|---|------------|
| RTU12-1.25-19 | 1-1/4 | 1.491 | .197 | .217 ⁺⁰¹⁰ / ₊₀₀₀ | 1.250 ⁻⁰⁰¹ / ₋₀₀₃ | 1.251 ⁺⁰⁰³ / ₊₀₀₀ | 1.491 ±.003 | 7.84 |
| RTU12-1.25-25 | 1-1/4 | 1-1/2 | 1/4 | .275 ⁺⁰¹⁰ / ₊₀₀₀ | 1.250 ⁻⁰⁰¹ / ₋₀₀₃ | 1.251 ⁺⁰⁰³ / ₊₀₀₀ | 1.500 ±.003 | 8.31 |
| RTU12-1.37-18 | 1-3/8 | 1-5/8 | .187 | .207 ⁺⁰¹⁰ / ₊₀₀₀ | 1.375 ⁻⁰⁰¹ / ₋₀₀₃ | 1.376 ⁺⁰⁰³ / ₊₀₀₀ | 1.625 ±.003 | 7.65 |
| RTU12-1.37-19 | 1-3/8 | 1.615 | .197 | .217 ⁺⁰¹⁰ / ₊₀₀₀ | 1.375 ⁻⁰⁰¹ / ₋₀₀₃ | 1.376 ⁺⁰⁰³ / ₊₀₀₀ | 1.616 ±.003 | 7.65 |
| RTU12-1.37-25 | 1-3/8 | 1-5/8 | 1/4 | .275 ⁺⁰¹⁰ / ₊₀₀₀ | 1.375 ⁻⁰⁰¹⁰ / ₋₀₀₃₄ | 1.376 ⁺⁰⁰³ / ₊₀₀₀ | 1.625 ±.0031 | 7.13 |
| RTU12-1.50-25 | 1-1/2 | 1-3/4 | 1/4 | .275 ⁺⁰¹⁰ / ₊₀₀₀ | 1.500 ⁻⁰⁰¹ / ₋₀₀₃ | 1.501 ⁺⁰⁰³ / ₊₀₀₀ | 1.750 ±.003 | 8.95 |
| RTU12-1.75-25 | 1-3/4 | 2 | 1/4 | .275 ⁺⁰¹⁰ / ₊₀₀₀ | 1.750 ⁻⁰⁰¹⁰ / ₋₀₀₃₄ | 1.751 ⁺⁰⁰³ / ₊₀₀₀ | 2.000 ±.0037 | 7.48 |
| RTU12-2.00-25 | 2 | 2-1/4 | 1/4 | .275 ⁺⁰¹⁰ / ₊₀₀₀ | 2.000 ⁻⁰⁰¹ / ₋₀₀₄ | 2.001 ⁺⁰⁰⁴ / ₊₀₀₀ | 2.250 ±.004 | 8.55 |
| .187" C/S | | | | | | | | |
| RTU18-4.50-37 | 4-1/2 | 4-7/8 | 3/8 | .413 ⁺⁰¹⁰ / ₊₀₀₀ | 4.500 ⁻⁰⁰¹ / ₋₀₀₅ | 4.501 ⁺⁰⁰⁴ / ₊₀₀₀ | 4.875 ±.004 | \$22.37 |
| RTU18-5.00-37 | 5 | 5-3/8 | 3/8 | .413 ⁺⁰¹⁰ / ₊₀₀₀ | 5.000 ⁻⁰⁰² / ₋₀₀₆ | 5.001 ⁺⁰⁰⁴ / ₊₀₀₀ | 5.375 ±.005 | 23.14 |
| 3/16" C/S | | | | | | | | |
| RTU18-0.37-31 | 3/8 | 3/4 | 5/16 | .343 ⁺⁰¹⁰ / ₊₀₀₀ | .375 ⁻⁰⁰⁰⁵ / ₋₀₀₁₉ | .376 ⁺⁰⁰³ / ₊₀₀₀ | .750 ±.0026 | \$5.65 |
| RTU18-1.00-25 | 1 | 1-3/8 | 1/4 | .275 ⁺⁰¹⁰ / ₊₀₀₀ | 1.000 ⁻⁰⁰¹ / ₋₀₀₃ | 1.001 ⁺⁰⁰³ / ₊₀₀₀ | 1.375 ±.003 | 6.97 |
| RTU18-1.00-31 | 1 | 1-3/8 | 5/16 | .344 ⁺⁰¹⁰ / ₊₀₀₀ | 1.000 ⁻⁰⁰¹ / ₋₀₀₃ | 1.001 ⁺⁰⁰³ / ₊₀₀₀ | 1.375 ±.003 | 8.17 |
| RTU18-1.12-31 | 1-1/8 | 1-1/2 | 5/16 | .344 ⁺⁰¹⁰ / ₊₀₀₀ | 1.125 ⁻⁰⁰¹ / ₋₀₀₃ | 1.126 ⁺⁰⁰³ / ₊₀₀₀ | 1.500 ±.003 | 7.77 |
| RTU18-1.18-25 | 1.187 | 1.562 | 1/4 | .275 ⁺⁰¹⁰ / ₊₀₀₀ | 1.187 ⁻⁰⁰¹⁰ / ₋₀₀₃₄ | 1.188 ⁺⁰⁰³ / ₊₀₀₀ | 1.562 ±.0031 | 6.48 |
| RTU18-1.25-23 | 1-1/4 | 1-5/8 | .227 | .250 ⁺⁰¹⁰ / ₊₀₀₀ | 1.250 ⁻⁰⁰¹ / ₋₀₀₃ | 1.251 ⁺⁰⁰³ / ₊₀₀₀ | 1.625 ±.003 | 8.77 |
| RTU18-1.25-25 | 1-1/4 | 1-5/8 | 1/4 | .275 ⁺⁰¹⁰ / ₊₀₀₀ | 1.250 ⁻⁰⁰¹⁰ / ₋₀₀₃₄ | 1.251 ⁺⁰⁰³ / ₊₀₀₀ | 1.625 ±.0031 | 7.24 |
| RTU18-1.25-31 | 1-1/4 | 1-5/8 | 5/16 | .344 ⁺⁰¹⁰ / ₊₀₀₀ | 1.250 ⁻⁰⁰¹ / ₋₀₀₃ | 1.251 ⁺⁰⁰³ / ₊₀₀₀ | 1.625 ±.003 | 8.77 |
| RTU18-1.25-37HT | 1-1/4 | 1-5/8 | 3/8 | .413 ⁺⁰¹⁰ / ₊₀₀₀ | 1.250 ⁺⁰⁰⁰ / ₋₀₀₂ | 1.251 ⁺⁰⁰³ / ₊₀₀₀ | 1.625 ⁺⁰⁰² / ₊₀₀₀ | 9.71 |
| RTU18-1.37-31 | 1-3/8 | 1-3/4 | 5/16 | .344 ⁺⁰¹⁰ / ₊₀₀₀ | 1.375 ⁻⁰⁰¹ / ₋₀₀₃ | 1.376 ⁺⁰⁰³ / ₊₀₀₀ | 1.750 ±.003 | 8.45 |
| RTU18-1.50-25 | 1-1/2 | 1-7/8 | 1/4 | .275 ⁺⁰¹⁰ / ₊₀₀₀ | 1.500 ⁻⁰⁰¹ / ₋₀₀₃ | 1.501 ⁺⁰⁰³ / ₊₀₀₀ | 1.875 ±.003 | 9.41 |
| RTU18-1.50-31 | 1-1/2 | 1-7/8 | 5/16 | .344 ⁺⁰¹⁰ / ₊₀₀₀ | 1.500 ⁻⁰⁰¹ / ₋₀₀₃ | 1.501 ⁺⁰⁰³ / ₊₀₀₀ | 1.875 ±.003 | 9.41 |
| RTU18-1.50-37 | 1-1/2 | 1-7/8 | 3/8 | .413 ⁺⁰¹⁰ / ₊₀₀₀ | 1.500 ⁻⁰⁰¹ / ₋₀₀₃ | 1.501 ⁺⁰⁰³ / ₊₀₀₀ | 1.875 ±.003 | 9.41 |
| RTU18-1.62-31 | 1-5/8 | 2 | 5/16 | .344 ⁺⁰¹⁰ / ₊₀₀₀ | 1.625 ⁻⁰⁰¹ / ₋₀₀₃ | 1.626 ⁺⁰⁰³ / ₊₀₀₀ | 2.000 ±.004 | 12.75 |
| RTU18-1.62-37 | 1-5/8 | 2 | 3/8 | .413 ⁺⁰¹⁰ / ₊₀₀₀ | 1.625 ⁻⁰⁰¹⁰ / ₋₀₀₃₄ | 1.626 ⁺⁰⁰³ / ₊₀₀₀ | 2.000 ±.0037 | 8.36 |
| RTU18-1.75-25 | 1-3/4 | 2-1/8 | 1/4 | .275 ⁺⁰¹⁰ / ₊₀₀₀ | 1.750 ⁻⁰⁰¹ / ₋₀₀₃ | 1.751 ⁺⁰⁰³ / ₊₀₀₀ | 2.125 ±.004 | 9.14 |
| RTU18-1.75-31 | 1-3/4 | 2-1/8 | 5/16 | .344 ⁺⁰¹⁰ / ₊₀₀₀ | 1.750 ⁻⁰⁰¹ / ₋₀₀₃ | 1.751 ⁺⁰⁰³ / ₊₀₀₀ | 2.125 ±.004 | 10.01 |
| RTU18-1.75-37 | 1-3/4 | 2-1/8 | 3/8 | .413 ⁺⁰¹⁰ / ₊₀₀₀ | 1.750 ⁻⁰⁰¹ / ₋₀₀₃ | 1.751 ⁺⁰⁰³ / ₊₀₀₀ | 2.125 ±.004 | 8.09 |
| RTU18-1.87-31 | 1-7/8 | 2-1/4 | 5/16 | .344 ⁺⁰¹⁰ / ₊₀₀₀ | 1.875 ⁻⁰⁰¹ / ₋₀₀₃ | 1.876 ⁺⁰⁰³ / ₊₀₀₀ | 2.250 ±.004 | 8.79 |
| RTU18-1.87-37 | 1-7/8 | 2-1/4 | 3/8 | .413 ⁺⁰¹⁰ / ₊₀₀₀ | 1.875 ⁻⁰⁰¹⁰ / ₋₀₀₃₄ | 1.876 ⁺⁰⁰³ / ₊₀₀₀ | 2.250 ±.0037 | 8.66 |
| RTU18-2.00-25 | 2 | 2-3/8 | 1/4 | .275 ⁺⁰¹⁰ / ₊₀₀₀ | 2.000 ⁻⁰⁰¹² / ₋₀₀₄₁ | 2.001 ⁺⁰⁰³ / ₊₀₀₀ | 2.375 ±.0037 | 9.25 |

FORMERLY LISTED SEALS ARE AVAILABLE ONLINE AT WWW.HERCULESUS.COM
OR BY CONTACTING YOUR REGIONAL HERCULES SALES TEAM.



STYLE RTU ASYMMETRIC TWIN LIP ROD U-SEALS

ROD U-SEALS

| Part Number | A Nom. ID | B Nom. OD | C Nom. Ht | D GROOVE WIDTH | E ROD DIAMETER | F THROAT DIAMETER | G HOUSING DIAMETER | List Price |
|------------------|-----------|-----------|-----------|--|---|---|---|------------|
| RTU18-2.00-31 | 2 | 2-3/8 | 5/16 | .344 ⁺⁰¹⁰ / ₊₀₀₀ | 2.000 ⁻⁰⁰¹ / ₋₀₀₄ | 2.001 ⁺⁰⁰³ / ₊₀₀₀ | 2.375 ±.004 | 11.79 |
| RTU18-2.00-37 | 2 | 2-3/8 | 3/8 | .413 ⁺⁰¹⁰ / ₊₀₀₀ | 2.000 ⁻⁰⁰¹ / ₋₀₀₄ | 2.001 ⁺⁰⁰⁴ / ₊₀₀₀ | 2.375 ±.004 | 10.81 |
| RTU18-2.50-31 | 2-1/2 | 2-7/8 | 5/16 | .344 ⁺⁰¹⁰ / ₊₀₀₀ | 2.500 ⁻⁰⁰¹ / ₋₀₀₄ | 2.501 ⁺⁰⁰⁴ / ₊₀₀₀ | 2.875 ±.004 | 12.96 |
| RTU18-2.62-37 | 2-5/8 | 3 | 3/8 | .413 ⁺⁰¹⁰ / ₊₀₀₀ | 2.625 ⁻⁰⁰¹² / ₋₀₀₄₁ | 2.626 ⁺⁰⁰⁴ / ₊₀₀₀ | 3.000 ±.0037 | 12.07 |
| RTU18-2.75-37 | 2-3/4 | 3-1/8 | 3/8 | .413 ⁺⁰¹⁰ / ₊₀₀₀ | 2.750 ⁻⁰⁰¹² / ₋₀₀₄₁ | 2.751 ⁺⁰⁰⁴ / ₊₀₀₀ | 3.125 ±.0037 | 12.25 |
| RTU18-3.00-37 | 3 | 3-3/8 | 3/8 | .413 ⁺⁰¹⁰ / ₊₀₀₀ | 3.000 ⁻⁰⁰¹ / ₋₀₀₄ | 3.001 ⁺⁰⁰⁴ / ₊₀₀₀ | 3.375 ±.004 | 14.64 |
| RTU18-3.12-62 | 3-1/8 | 3-1/2 | 5/8 | .688 ⁺⁰¹⁰ / ₊₀₀₀ | 3.125 ⁻⁰⁰¹ / ₋₀₀₄ | 3.126 ⁺⁰⁰⁴ / ₊₀₀₀ | 3.500 ±.004 | 18.32 |
| RTU18-3.25-56 | 3-1/4 | 3-5/8 | 9/16 | .619 ⁺⁰¹⁰ / ₊₀₀₀ | 3.250 ⁻⁰⁰¹ / ₋₀₀₅ | 3.251 ⁺⁰⁰⁴ / ₊₀₀₀ | 3.625 ±.004 | 18.32 |
| RTU18-3.50-37 | 3-1/2 | 3-7/8 | 3/8 | .413 ⁺⁰¹⁰ / ₊₀₀₀ | 3.500 ⁻⁰⁰¹ / ₋₀₀₅ | 3.501 ⁺⁰⁰⁴ / ₊₀₀₀ | 3.875 ±.004 | 18.25 |
| RTU18-4.00-37 | 4 | 4-3/8 | 3/8 | .413 ⁺⁰¹⁰ / ₊₀₀₀ | 4.000 ⁻⁰⁰¹ / ₋₀₀₅ | 4.001 ⁺⁰⁰⁴ / ₊₀₀₀ | 4.375 ±.004 | 21.49 |
| .188" C/S | | | | | | | | |
| RTU18-0.62-28 | 5/8 | 1 | .281 | .312 ⁺⁰¹⁰ / ₊₀₀₀ | .625 ⁻⁰⁰¹ / ₋₀₀₂ | .626 ⁺⁰⁰³ / ₊₀₀₀ | 1.000 ±.003 | \$5.50 |
| RTU18-0.75-31 | 3/4 | 1-1/8 | .312 | .344 ⁺⁰¹⁰ / ₊₀₀₀ | .750 ⁻⁰⁰¹ / ₋₀₀₃ | .751 ⁺⁰⁰³ / ₊₀₀₀ | 1.125 ±.003 | 6.27 |
| RTU18-2.12-37 | 2-1/8 | 2-1/2 | 3/8 | .413 ⁺⁰¹⁰ / ₊₀₀₀ | 2.125 ⁻⁰⁰¹ / ₋₀₀₄ | 2.126 ⁺⁰⁰³ / ₊₀₀₀ | 2.500 ±.004 | 11.05 |
| RTU18-2.37-37 | 2-3/8 | 2-3/4 | 3/8 | .413 ⁺⁰¹⁰ / ₊₀₀₀ | 2.375 ⁻⁰⁰¹ / ₋₀₀₄ | 2.376 ⁺⁰⁰³ / ₊₀₀₀ | 2.750 ±.004 | 11.31 |
| RTU18-2.50-37 | 2-1/2 | 2-7/8 | 3/8 | .413 ⁺⁰¹⁰ / ₊₀₀₀ | 2.500 ⁻⁰⁰¹ / ₋₀₀₄ | 2.501 ⁺⁰⁰³ / ₊₀₀₀ | 2.875 ±.004 | 12.52 |
| RTU18-3.75-37 | 3-3/4 | 4-1/8 | 3/8 | .413 ⁺⁰¹⁰ / ₊₀₀₀ | 3.750 ⁻⁰⁰¹ / ₋₀₀₅ | 3.751 ⁺⁰⁰³ / ₊₀₀₀ | 4.125 ±.004 | 19.87 |
| RTU18-5.50-37 | 5-1/2 | 5-7/8 | 3/8 | .413 ⁺⁰¹⁰ / ₊₀₀₀ | 5.500 ⁻⁰⁰² / ₋₀₀₆ | 5.501 ⁺⁰⁰³ / ₊₀₀₀ | 5.875 ±.005 | 28.11 |
| 1/4" C/S | | | | | | | | |
| RTU25-1.00-25 | 1 | 1-1/2 | .255 | .275 ⁺⁰¹⁰ / ₊₀₀₀ | 1.000 ⁻⁰⁰¹ / ₋₀₀₃ | 1.001 ⁺⁰⁰³ / ₊₀₀₀ | 1.500 ±.003 | \$8.05 |
| RTU25-1.00-37 | 1 | 1-1/2 | 3/8 | .413 ⁺⁰¹⁰ / ₊₀₀₀ | 1.000 ⁻⁰⁰¹ / ₋₀₀₃ | 1.001 ⁺⁰⁰³ / ₊₀₀₀ | 1.500 ±.003 | 8.86 |
| RTU25-1.12-25 | 1-1/8 | 1-5/8 | 1/4 | .275 ⁺⁰¹⁰ / ₊₀₀₀ | 1.125 ⁻⁰⁰⁰⁸ / ₋₀₀₂₈ | 1.126 ⁺⁰⁰³ / ₊₀₀₀ | 1.625 ±.0031 | 7.01 |
| RTU25-1.25-25 | 1-1/4 | 1-3/4 | 1/4 | .275 ⁺⁰¹⁰ / ₊₀₀₀ | 1.250 ⁻⁰⁰¹ / ₋₀₀₃ | 1.251 ⁺⁰⁰³ / ₊₀₀₀ | 1.750 ±.003 | 10.50 |
| RTU25-1.25-37 | 1-1/4 | 1-3/4 | 3/8 | .413 ⁺⁰¹⁰ / ₊₀₀₀ | 1.250 ⁻⁰⁰¹ / ₋₀₀₃ | 1.251 ⁺⁰⁰³ / ₊₀₀₀ | 1.750 ±.003 | 9.18 |
| RTU25-1.37-37 | 1-3/8 | 1-7/8 | 3/8 | .413 ⁺⁰¹⁰ / ₊₀₀₀ | 1.375 ⁻⁰⁰¹ / ₋₀₀₃ | 1.376 ⁺⁰⁰³ / ₊₀₀₀ | 1.875 ±.003 | 8.77 |
| RTU25-1.37-37HT | 1-3/8 | 1-7/8 | 3/8 | .413 ⁺⁰¹⁰ / ₊₀₀₀ | 1.375 ⁺⁰⁰⁰ / ₋₀₀₂ | 1.376 ⁺⁰⁰³ / ₊₀₀₀ | 1.875 ⁺⁰⁰³ / ₊₀₀₀ | 20.64 |
| RTU25-1.50-25 | 1-1/2 | 2 | 1/4 | .275 ⁺⁰¹⁰ / ₊₀₀₀ | 1.500 ⁻⁰⁰¹⁰ / ₋₀₀₃₄ | 1.501 ⁺⁰⁰³ / ₊₀₀₀ | 2.000 ±.0037 | 8.36 |
| RTU25-1.50-34 | 1-1/2 | 2 | .341 | .375 ⁺⁰¹⁰ / ₊₀₀₀ | 1.500 ⁻⁰⁰¹ / ₋₀₀₃ | 1.501 ⁺⁰⁰³ / ₊₀₀₀ | 2.000 ±.004 | 9.43 |
| RTU25-1.50-37 | 1-1/2 | 2 | 3/8 | .413 ⁺⁰¹⁰ / ₊₀₀₀ | 1.500 ⁻⁰⁰¹ / ₋₀₀₃ | 1.501 ⁺⁰⁰³ / ₊₀₀₀ | 2.000 ±.004 | 10.73 |
| RTU25-1.62-37 | 1-5/8 | 2-1/8 | 3/8 | .413 ⁺⁰¹⁰ / ₊₀₀₀ | 1.625 ⁻⁰⁰¹ / ₋₀₀₃ | 1.626 ⁺⁰⁰³ / ₊₀₀₀ | 2.125 ±.004 | 11.33 |
| RTU25-1.75-25 | 1-3/4 | 2-1/4 | 1/4 | .275 ⁺⁰¹⁰ / ₊₀₀₀ | 1.750 ⁻⁰⁰¹⁰ / ₋₀₀₃₄ | 1.751 ⁺⁰⁰³ / ₊₀₀₀ | 2.250 ±.0037 | 9.42 |
| RTU25-1.75-34 | 1-3/4 | 2-1/4 | .341 | .375 ⁺⁰¹⁰ / ₊₀₀₀ | 1.750 ⁻⁰⁰¹ / ₋₀₀₃ | 1.751 ⁺⁰⁰³ / ₊₀₀₀ | 2.250 ±.004 | 10.68 |
| RTU25-1.75-37 | 1-3/4 | 2-1/4 | 3/8 | .413 ⁺⁰¹⁰ / ₊₀₀₀ | 1.750 ⁻⁰⁰¹ / ₋₀₀₃ | 1.751 ⁺⁰⁰³ / ₊₀₀₀ | 2.250 ±.004 | 11.94 |

NORTH AMERICA
PHONE 1-800-777-5617
FAX 1-800-759-6391

SALES OFFICE HOURS
8 A.M. TO 7:30 P.M. EASTERN TIME
www.HerculesUS.com

WORLDWIDE
PHONE 1-727-796-1300
FAX 1-727-797-8849



STYLE RTU ASYMMETRIC TWIN LIP ROD U-SEALS

| Part Number | A Nom. ID | B Nom. OD | C Nom. Ht | D GROOVE WIDTH | E ROD DIAMETER | F THROAT DIAMETER | G HOUSING DIAMETER | List Price |
|-----------------|-----------|-----------|-----------|--|---|---|---|------------|
| RTU25-1.87-37 | 1-7/8 | 2-3/8 | 3/8 | .413 ⁺⁰¹⁰ / ₊₀₀₀ | 1.875 ⁻⁰⁰¹ / ₋₀₀₃ | 1.876 ⁺⁰⁰³ / ₊₀₀₀ | 2.250 ±004 | 11.13 |
| RTU25-2.00-25 | 2 | 2-1/2 | 1/4 | .275 ⁺⁰¹⁰ / ₊₀₀₀ | 2.000 ⁻⁰⁰¹² / ₋₀₀₄₁ | 2.001 ⁺⁰⁰³ / ₊₀₀₀ | 2.500 ±0037 | 10.31 |
| RTU25-2.00-31 | 2 | 2-1/2 | 5/16 | .344 ⁺⁰¹⁰ / ₊₀₀₀ | 2.000 ⁻⁰⁰¹ / ₋₀₀₄ | 2.001 ⁺⁰⁰⁴ / ₊₀₀₀ | 2.500 ±004 | 12.27 |
| RTU25-2.00-34 | 2 | 2-1/2 | .341 | .375 ⁺⁰¹⁰ / ₊₀₀₀ | 2.000 ⁻⁰⁰¹ / ₋₀₀₄ | 2.001 ⁺⁰⁰³ / ₊₀₀₀ | 2.500 ±004 | 12.62 |
| RTU25-2.00-37 | 2 | 2-1/2 | 3/8 | .413 ⁺⁰¹⁰ / ₊₀₀₀ | 2.000 ⁻⁰⁰¹ / ₋₀₀₄ | 2.001 ⁺⁰⁰⁴ / ₊₀₀₀ | 2.500 ±004 | 12.97 |
| RTU25-2.00-37HT | 2 | 2-1/2 | 3/8 | .413 ⁺⁰¹⁰ / ₊₀₀₀ | 2.000 ⁻⁰⁰¹ / ₋₀₀₄ | 2.001 ⁺⁰⁰⁴ / ₊₀₀₀ | 2.500 ±004 | 4.98 |
| RTU25-2.25-37 | 2-1/4 | 2-3/4 | 3/8 | .413 ⁺⁰¹⁰ / ₊₀₀₀ | 2.250 ⁻⁰⁰¹ / ₋₀₀₄ | 2.251 ⁺⁰⁰⁴ / ₊₀₀₀ | 2.750 ±004 | 14.52 |
| RTU25-2.37-37 | 2-3/8 | 2-7/8 | 3/8 | .413 ⁺⁰¹⁰ / ₊₀₀₀ | 2.375 ⁻⁰⁰¹² / ₋₀₀₄₁ | 2.376 ⁺⁰⁰⁴ / ₊₀₀₀ | 2.875 ±0037 | 11.78 |
| RTU25-2.50-25 | 2-1/2 | 3 | 1/4 | .275 ⁺⁰¹⁰ / ₊₀₀₀ | 2.500 ⁻⁰⁰¹ / ₋₀₀₄ | 2.501 ⁺⁰⁰³ / ₊₀₀₀ | 3.000 ±004 | 13.70 |
| RTU25-2.50-28 | 2-1/2 | 3 | .284 | .312 ⁺⁰¹⁰ / ₊₀₀₀ | 2.500 ⁻⁰⁰¹ / ₋₀₀₄ | 2.501 ⁺⁰⁰⁴ / ₊₀₀₀ | 3.000 ±004 | 15.62 |
| RTU25-2.50-37 | 2-1/2 | 3 | 3/8 | .413 ⁺⁰¹⁰ / ₊₀₀₀ | 2.500 ⁻⁰⁰¹ / ₋₀₀₄ | 2.501 ⁺⁰⁰⁴ / ₊₀₀₀ | 3.000 ±004 | 16.02 |
| RTU25-2.75-31 | 2-3/4 | 3-1/4 | .312 | .344 ⁺⁰¹⁰ / ₊₀₀₀ | 2.750 ⁻⁰⁰¹ / ₋₀₀₄ | 2.751 ⁺⁰⁰⁴ / ₊₀₀₀ | 3.250 ±004 | 16.02 |
| RTU25-2.75-37 | 2-3/4 | 3-1/4 | 3/8 | .413 ⁺⁰¹⁰ / ₊₀₀₀ | 2.750 ⁻⁰⁰¹ / ₋₀₀₄ | 2.751 ⁺⁰⁰⁴ / ₊₀₀₀ | 3.250 ±004 | 17.52 |
| RTU25-3.00-37 | 3 | 3-1/2 | 3/8 | .413 ⁺⁰¹⁰ / ₊₀₀₀ | 3.000 ⁻⁰⁰¹ / ₋₀₀₄ | 3.001 ⁺⁰⁰⁴ / ₊₀₀₀ | 3.500 ±004 | 18.94 |
| RTU25-3.00-75 | 3 | 3-1/2 | .781 | .859 ⁺⁰¹⁰ / ₊₀₀₀ | 3.000 ⁻⁰⁰¹ / ₋₀₀₄ | 3.001 ⁺⁰⁰⁴ / ₊₀₀₀ | 3.500 ±004 | 20.78 |
| RTU25-3.25-37 | 3-1/4 | 3-3/4 | 3/8 | .413 ⁺⁰¹⁰ / ₊₀₀₀ | 3.250 ⁻⁰⁰¹ / ₋₀₀₅ | 3.251 ⁺⁰⁰⁴ / ₊₀₀₀ | 3.750 ±004 | 20.25 |
| RTU25-3.37-37 | 3-3/8 | 3-7/8 | 3/8 | .413 ⁺⁰¹⁰ / ₊₀₀₀ | 3.375 ⁻⁰⁰¹ / ₋₀₀₅ | 3.376 ⁺⁰⁰³ / ₊₀₀₀ | 3.875 ±004 | 21.05 |
| RTU25-3.50-31 | 3-1/2 | 4 | .312 | .344 ⁺⁰¹⁰ / ₊₀₀₀ | 3.500 ⁻⁰⁰¹ / ₋₀₀₅ | 3.501 ⁺⁰⁰⁴ / ₊₀₀₀ | 4.000 ±004 | 21.84 |
| RTU25-3.50-37 | 3-1/2 | 4 | 3/8 | .413 ⁺⁰¹⁰ / ₊₀₀₀ | 3.500 ⁻⁰⁰¹ / ₋₀₀₅ | 3.501 ⁺⁰⁰⁴ / ₊₀₀₀ | 4.000 ±004 | 21.84 |
| RTU25-3.62-37 | 3-5/8 | 4-1/8 | 3/8 | .413 ⁺⁰¹⁰ / ₊₀₀₀ | 3.625 ⁻⁰⁰¹ / ₋₀₀₅ | 3.626 ⁺⁰⁰³ / ₊₀₀₀ | 4.125 ±004 | 19.96 |
| RTU25-3.75-37 | 3-3/4 | 4-1/4 | 3/8 | .413 ⁺⁰¹⁰ / ₊₀₀₀ | 3.750 ⁻⁰⁰¹⁴ / ₋₀₀₄₈ | 3.751 ⁺⁰⁰⁴ / ₊₀₀₀ | 4.250 ±0043 | 18.08 |
| RTU25-3.75-50 | 3-3/4 | 4-1/4 | 1/2 | .550 ⁺⁰¹⁰ / ₊₀₀₀ | 3.750 ⁻⁰⁰¹ / ₋₀₀₅ | 3.751 ⁺⁰⁰³ / ₊₀₀₀ | 4.250 ±004 | 18.70 |
| RTU25-4.00-31 | 4 | 4-1/2 | .312 | .344 ⁺⁰¹⁰ / ₊₀₀₀ | 4.000 ⁻⁰⁰¹⁴ / ₋₀₀₄₈ | 4.001 ⁺⁰⁰⁴ / ₊₀₀₀ | 4.500 ±0043 | 19.32 |
| RTU25-4.00-37 | 4 | 4-1/2 | 3/8 | .413 ⁺⁰¹⁰ / ₊₀₀₀ | 4.000 ⁻⁰⁰¹ / ₋₀₀₅ | 4.001 ⁺⁰⁰⁴ / ₊₀₀₀ | 4.500 ±004 | 24.49 |
| RTU25-4.00-56 | 4 | 4-1/2 | 9/16 | .619 ⁺⁰¹⁰ / ₊₀₀₀ | 4.000 ⁻⁰⁰¹ / ₋₀₀₅ | 4.001 ⁺⁰⁰⁴ / ₊₀₀₀ | 4.500 ±004 | 28.78 |
| RTU25-4.00-75 | 4 | 4-1/2 | .781 | .859 ⁺⁰¹⁰ / ₊₀₀₀ | 4.000 ⁻⁰⁰¹ / ₋₀₀₅ | 4.001 ⁺⁰⁰⁴ / ₊₀₀₀ | 4.500 ±004 | 27.40 |
| RTU25-4.25-56P | 4-1/4 | 4-3/4 | 9/16 | .618 ⁺¹⁵⁰ / ₊₀₀₀ | 4.250 ⁺⁰⁰⁰ / ₋₀₀₂ | 4.251 ⁺⁰⁰⁴ / ₊₀₀₀ | 4.750 ⁺⁰⁰⁰ / ₋₀₀₃ | 41.82 |
| RTU25-4.50-37 | 4-1/2 | 5 | 3/8 | .413 ⁺⁰¹⁰ / ₊₀₀₀ | 4.500 ⁻⁰⁰¹ / ₋₀₀₅ | 4.501 ⁺⁰⁰⁴ / ₊₀₀₀ | 5.000 ±005 | 26.58 |
| RTU25-4.75-62 | 4-3/4 | 5-1/4 | 5/8 | .688 ⁺⁰¹⁰ / ₊₀₀₀ | 4.750 ⁻⁰⁰¹ / ₋₀₀₅ | 4.751 ⁺⁰⁰³ / ₊₀₀₀ | 5.250 ±005 | 28.49 |
| RTU25-5.00-37 | 5 | 5-1/2 | 3/8 | .413 ⁺⁰¹⁰ / ₊₀₀₀ | 5.000 ⁻⁰⁰² / ₋₀₀₆ | 5.001 ⁺⁰⁰⁴ / ₊₀₀₀ | 5.500 ±005 | 30.40 |
| RTU25-5.00-75 | 5 | 5-1/2 | .781 | .859 ⁺⁰¹⁰ / ₊₀₀₀ | 5.000 ⁻⁰⁰² / ₋₀₀₆ | 5.001 ⁺⁰⁰⁴ / ₊₀₀₀ | 5.500 ±005 | 30.64 |
| RTU25-5.50-37 | 5-1/2 | 6 | 3/8 | .413 ⁺⁰¹⁰ / ₊₀₀₀ | 5.500 ⁻⁰⁰² / ₋₀₀₆ | 5.501 ⁺⁰⁰⁴ / ₊₀₀₀ | 6.000 ±005 | 34.82 |
| RTU25-6.00-75 | 6 | 6-1/2 | .781 | .859 ⁺⁰¹⁰ / ₊₀₀₀ | 6.000 ⁻⁰⁰² / ₋₀₀₆ | 6.001 ⁺⁰⁰⁴ / ₊₀₀₀ | 6.500 ±005 | 35.35 |

ROD U-SEALS

FORMERLY LISTED SEALS ARE AVAILABLE ONLINE AT WWW.HERCULESUS.COM
OR BY CONTACTING YOUR REGIONAL HERCULES SALES TEAM.



STYLE RTU ASYMMETRIC TWIN LIP ROD U-SEALS

ROD U-SEALS

| Part Number | A Nom. ID | B Nom. OD | C Nom. Ht | D GROOVE WIDTH | E ROD DIAMETER | F THROAT DIAMETER | G HOUSING DIAMETER | List Price |
|-------------------|--------------|--------------|--------------|--|---|--|--------------------------|---------------|
| RTU25-6.37-37 | 6-3/8 | 6-7/8 | 3/8 | .413 ⁺⁰¹⁰ / ₊₀₀₀ | 6.375 ⁻⁰⁰² / ₋₀₀₆ | 6.376 ⁺⁰⁰³ / ₊₀₀₀ | 6.875 ±.005 | 41.26 |
| RTU25-7.00-75 | 7 | 7-1/2 | .78 | .859 ⁺⁰¹⁰ / ₊₀₀₀ | 7.000 ⁻⁰⁰² / ₋₀₀₆ | 7.001 ⁺⁰⁰⁴ / ₊₀₀₀ | 7.500 ±.006 | 47.17 |
| RTU25-7.25-37 | 7-1/4 | 7-3/4 | 3/8 | .413 ⁺⁰¹⁰ / ₊₀₀₀ | 7.250 ⁻⁰⁰² / ₋₀₀₆ | 7.251 ⁺⁰⁰³ / ₊₀₀₀ | 7.750 ±.006 | 47.85 |
| RTU25-8.12-75 | 8-1/8 | 8-5/8 | .781 | .859 ⁺⁰¹⁰ / ₊₀₀₀ | 8.125 ⁻⁰⁰² / ₋₀₀₇ | 8.126 ⁺⁰⁰⁴ / ₊₀₀₀ | 8.625 ±.006 | 48.52 |
| RTU25-9.37-75 | 9-3/8 | 9-7/8 | .781 | .859 ⁺⁰¹⁰ / ₊₀₀₀ | 9.375 ⁻⁰⁰² / ₋₀₀₇ | 9.376 ⁺⁰⁰⁴ / ₊₀₀₀ | 9.875 ±.006 | 50.00 |
| 5/16" C/S | | | | | | | | |
| RTU31-1.50-37 | 1-1/2 | 2-1/8 | 3/8 | .413 ⁺⁰¹⁰ / ₊₀₀₀ | 1.500 ⁻⁰⁰¹⁰ / ₋₀₀₃₄ | 1.501 ⁺⁰⁰³ / ₊₀₀₀ | 2.125 ±.0037 | \$9.78 |
| RTU31-2.50-50 | 2-1/2 | 3-1/8 | 1/2 | .550 ⁺⁰¹⁰ / ₊₀₀₀ | 2.500 ⁻⁰⁰¹² / ₋₀₀₄₁ | 2.501 ⁺⁰⁰⁴ / ₊₀₀₀ | 3.125 ±.0037 | 16.43 |
| RTU31-2.75-37 | 2-3/4 | 3-3/8 | 3/8 | .413 ⁺⁰¹⁰ / ₊₀₀₀ | 2.750 ⁻⁰⁰¹² / ₋₀₀₄₁ | 2.751 ⁺⁰⁰⁴ / ₊₀₀₀ | 3.375 ±.0043 | 15.25 |
| RTU31-2.75-50 | 2-3/4 | 3-3/8 | 1/2 | .550 ⁺⁰¹⁰ / ₊₀₀₀ | 2.750 ⁻⁰⁰¹² / ₋₀₀₄₁ | 2.751 ⁺⁰⁰⁴ / ₊₀₀₀ | 3.375 ±.0043 | 16.19 |
| RTU31-3.00-50 | 3 | 3-5/8 | 1/2 | .550 ⁺⁰¹⁰ / ₊₀₀₀ | 3.000 ⁻⁰⁰¹² / ₋₀₀₄₁ | 3.001 ⁺⁰⁰⁴ / ₊₀₀₀ | 3.625 ±.0043 | 17.49 |
| RTU31-3.25-50 | 3-1/4 | 3-7/8 | 1/2 | .550 ⁺⁰¹⁰ / ₊₀₀₀ | 3.250 ⁻⁰⁰¹⁴ / ₋₀₀₄₈ | 3.251 ⁺⁰⁰⁴ / ₊₀₀₀ | 3.875 ±.0043 | 18.79 |
| RTU31-3.37-59 | 3-3/8 | 4 | 19/32 | .653 ⁺⁰¹⁰ / ₊₀₀₀ | 3.375 ⁻⁰⁰¹ / ₋₀₀₅ | 3.376 ⁺⁰⁰⁴ / ₊₀₀₀ | 4.000 ±.004 | 22.61 |
| RTU31-4.00-37 | 4 | 4-5/8 | 3/8 | .413 ⁺⁰¹⁰ / ₊₀₀₀ | 4.000 ⁻⁰⁰¹⁴ / ₋₀₀₄₈ | 4.001 ⁺⁰⁰⁴ / ₊₀₀₀ | 4.625 ±.0043 | 18.73 |
| RTU31-4.00-50HT | 4 | 4-5/8 | 1/2 | .550 ⁺⁰¹⁰ / ₊₀₀₀ | 4.000 ⁻⁰⁰¹ / ₋₀₀₅ | 4.001 ⁺⁰⁰⁴ / ₊₀₀₀ | 4.625 ±.004 | 30.16 |
| RTU31-4.50-50 | 4-1/2 | 5-1/8 | 1/2 | .550 ⁺⁰¹⁰ / ₊₀₀₀ | 4.500 ⁻⁰⁰¹ / ₋₀₀₅ | 4.501 ⁺⁰⁰⁴ / ₊₀₀₀ | 5.125 ±.005 | 30.70 |
| .313" C/S | | | | | | | | |
| RTU31-1.25-39 | 1-1/4 | 1-7/8 | .397 | .437 ⁺⁰¹⁰ / ₊₀₀₀ | 1.250 ⁻⁰⁰¹ / ₋₀₀₃ | 1.251 ⁺⁰⁰³ / ₊₀₀₀ | 1.875 ±.003 | \$9.28 |
| RTU31-1.37-39 | 1-3/8 | 2 | .397 | .437 ⁺⁰¹⁰ / ₊₀₀₀ | 1.375 ⁻⁰⁰¹ / ₋₀₀₃ | 1.376 ⁺⁰⁰³ / ₊₀₀₀ | 2.000 ±.004 | 8.93 |
| RTU31-2.00-31 | 2 | 2-5/8 | .312 | .344 ⁺⁰¹⁰ / ₊₀₀₀ | 2.000 ⁻⁰⁰¹ / ₋₀₀₄ | 2.001 ⁺⁰⁰³ / ₊₀₀₀ | 2.625 ±.004 | 12.47 |
| RTU31-2.00-39 | 2 | 2-5/8 | .397 | .437 ⁺⁰¹⁰ / ₊₀₀₀ | 2.000 ⁻⁰⁰¹ / ₋₀₀₄ | 2.001 ⁺⁰⁰³ / ₊₀₀₀ | 2.625 ±.004 | 12.53 |
| RTU31-2.00-50 | 2 | 2-5/8 | 1/2 | .550 ⁺⁰¹⁰ / ₊₀₀₀ | 2.000 ⁻⁰⁰¹ / ₋₀₀₄ | 2.001 ⁺⁰⁰³ / ₊₀₀₀ | 2.625 ±.004 | 13.11 |
| RTU31-3.50-50 | 3-1/2 | 4-1/8 | 1/2 | .550 ⁺⁰¹⁰ / ₊₀₀₀ | 3.500 ⁻⁰⁰¹ / ₋₀₀₅ | 3.501 ⁺⁰⁰³ / ₊₀₀₀ | 4.125 ±.004 | 20.67 |
| RTU31-4.00-50 | 4 | 4-5/8 | 1/2 | .550 ⁺⁰¹⁰ / ₊₀₀₀ | 4.000 ⁻⁰⁰¹ / ₋₀₀₅ | 4.001 ⁺⁰⁰³ / ₊₀₀₀ | 4.625 ±.004 | 23.36 |
| RTU31-4.62-62 | 4-5/8 | 5-1/4 | 5/8 | .688 ⁺⁰¹⁰ / ₊₀₀₀ | 4.625 ⁻⁰⁰¹ / ₋₀₀₅ | 4.626 ⁺⁰⁰³ / ₊₀₀₀ | 5.250 ±.005 | 32.44 |
| 11/32" C/S | | | | | | | | |
| RTU34-10.50-37 | 10-1/2 | 11-3/16 | 3/8 | .413 ⁺⁰¹⁰ / ₊₀₀₀ | 10.500 ⁻⁰⁰² / ₋₀₀₇ | 10.501 ⁺⁰⁰⁴ / ₊₀₀₀ | 11.1875 ±.006 | \$259.44 |
| 3/8" C/S | | | | | | | | |
| RTU37-3.00-62 | 3 | 3-3/4 | 5/8 | .688 ⁺⁰¹⁰ / ₊₀₀₀ | 3.000 ⁻⁰⁰¹ / ₋₀₀₄ | 3.001 ⁺⁰⁰³ / ₊₀₀₀ | 3.750 ±.004 | \$25.17 |
| RTU37-3.50-62 | 3-1/2 | 4-1/4 | 5/8 | .688 ⁺⁰¹⁰ / ₊₀₀₀ | 3.500 ⁻⁰⁰¹ / ₋₀₀₅ | 3.501 ⁺⁰⁰³ / ₊₀₀₀ | 4.250 ±.004 | 26.89 |
| RTU37-4.00-50 | 4 | 4-3/4 | 1/2 | .550 ⁺⁰¹⁰ / ₊₀₀₀ | 4.000 ⁻⁰⁰¹⁴ / ₋₀₀₄₈ | 4.001 ⁺⁰⁰⁴ / ₊₀₀₀ | 4.750 ±.0049 | 29.56 |
| RTU37-4.00-62 | 4 | 4-3/4 | 5/8 | .688 ⁺⁰¹⁰ / ₊₀₀₀ | 4.000 ⁻⁰⁰¹ / ₋₀₀₅ | 4.001 ⁺⁰⁰³ / ₊₀₀₀ | 4.750 ±.005 | 29.11 |
| RTU37-4.25-62 | 4-1/4 | 5 | 5/8 | .688 ⁺⁰¹⁰ / ₊₀₀₀ | 4.250 ⁻⁰⁰¹ / ₋₀₀₅ | 4.251 ⁺⁰⁰³ / ₊₀₀₀ | 5.000 ±.005 | 31.72 |
| RTU37-4.50-62 | 4-1/2 | 5-1/4 | 5/8 | .688 ⁺⁰¹⁰ / ₊₀₀₀ | 4.500 ⁻⁰⁰¹ / ₋₀₀₅ | 4.501 ⁺⁰⁰³ / ₊₀₀₀ | 5.250 ±.005 | 34.61 |

NORTH AMERICA
PHONE 1-800-777-5617
FAX 1-800-759-6391

SALES OFFICE HOURS
8 A.M. TO 7:30 P.M. EASTERN TIME
www.HerculesUS.com

WORLDWIDE
PHONE 1-727-796-1300
FAX 1-727-797-8849



STYLE RTU ASYMMETRIC TWIN LIP ROD U-SEALS

| Part Number | A Nom. ID | B Nom. OD | C Nom. Ht | D GROOVE WIDTH | E ROD DIAMETER | F THROAT DIAMETER | G HOUSING DIAMETER | List Price |
|---------------|--------------|--------------|--------------|--|---|---|--------------------------|---------------|
| RTU18-4.75-37 | 4-3/4 | 5-1/8 | 3/8 | .413 ^{+0.010} / _{+0.000} | 4.750 ^{-0.001} / _{-0.005} | 4.751 ^{+0.003} / _{+0.000} | 5.125 ±.005 | 22.50 |
| RTU37-5.50-62 | 5-1/2 | 6-1/4 | 5/8 | .688 ^{+0.010} / _{+0.000} | 5.500 ^{-0.502} / _{-0.006} | 5.501 ^{+0.003} / _{+0.000} | 6.250 ±.005 | 39.44 |
| RTU37-6.00-62 | 6 | 6-3/4 | 5/8 | .688 ^{+0.010} / _{+0.000} | 6.000 ^{-0.002} / _{-0.006} | 6.001 ^{+0.003} / _{+0.000} | 6.750 ±.005 | 40.61 |
| RTU37-6.50-62 | 6-1/2 | 7-1/4 | 5/8 | .688 ^{+0.010} / _{+0.000} | 6.500 ^{-0.002} / _{-0.006} | 6.501 ^{+0.003} / _{+0.000} | 7.250 ±.006 | 45.06 |
| RTU37-7.00-62 | 7 | 7-3/4 | 5/8 | .688 ^{+0.010} / _{+0.000} | 7.000 ^{-0.002} / _{-0.006} | 7.001 ^{+0.003} / _{+0.000} | 7.750 ±.006 | 48.11 |
| RTU37-7.75-62 | 7-3/4 | 8-1/2 | 5/8 | .688 ^{+0.010} / _{+0.000} | 7.750 ^{-0.002} / _{-0.006} | 7.751 ^{+0.003} / _{+0.000} | 8.500 ±.006 | 51.78 |

ROD U-SEALS

Seal color may vary. Special order sizes are available. Sizes not shown and out of stock items can also be ordered for next day delivery through Seals On Demand, our custom seal program. Please call your regional sales team for assistance.

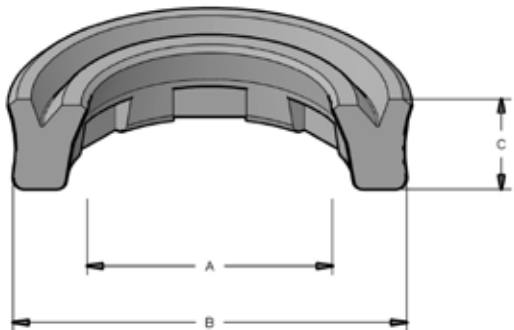
FORMERLY LISTED SEALS ARE AVAILABLE ONLINE AT WWW.HERCULESUS.COM
OR BY CONTACTING YOUR REGIONAL HERCULES SALES TEAM.



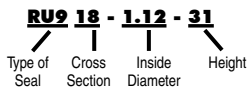
STYLE RU9 URETHANE ROD U-SEALS

Style RU9 seals are molded from MDI based Zurcon® Z25 urethane. This seal offers good elasticity with low compression set while maintaining a high level of tribological characteristics. The dynamic seal lip incorporates slide segments that will increase back-pumping capabilities while reducing friction. The RU9 style rod seal is ideal for hydraulic applications where high temperature and high pressure performance is required.

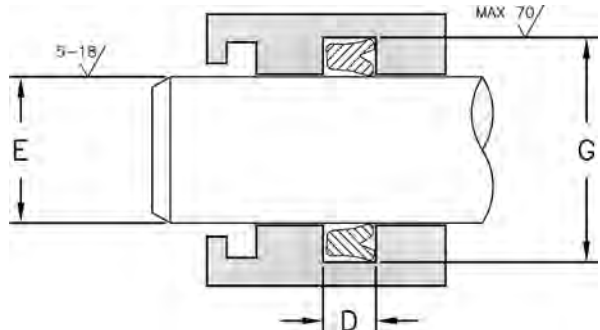
ROD U-SEALS



HERCULES PART NUMBERS



| SEAL INFORMATION | |
|-------------------|----------------|
| MATERIAL | 95A URETHANE |
| TEMPERATURE RANGE | -31° TO +270°F |
| PRESSURE RANGE | 0 TO 5,800 PSI |
| SPEED | 1.65 FT/SEC |



| Part Number | A Nom. ID | B Nom. OD | C Nom. Ht | D GROOVE WIDTH | E ROD DIAMETER | G HOUSING DIAMETER | List Price |
|------------------|--------------|--------------|--------------|--|---|--|---------------|
| 3/16" C/S | | | | | | | |
| RU918-1.12-31 | 1-1/8 | 1-1/2 | .312 | .343 ⁺⁰¹⁰ / ₊₀₀₀ | 1.125 ⁺⁰⁰³⁹ / ₊₀₀₀₀ | 1.501 ⁺⁰⁰⁰ / _{-.002} | \$16.10 |
| RU918-1.25-31 | 1-1/4 | 1-5/8 | .312 | .343 ⁺⁰¹⁰ / ₊₀₀₀ | 1.250 ⁺⁰⁰³⁹ / ₊₀₀₀₀ | 1.626 ⁺⁰⁰⁰ / _{-.002} | 16.28 |
| RU918-1.37-31 | 1-3/8 | 1-3/4 | 5/16 | .343 ⁺⁰¹⁰ / ₊₀₀₀ | 1.375 ⁺⁰⁰³⁹ / ₊₀₀₀₀ | 1.751 ⁺⁰⁰⁰⁰ / _{-.0024} | 16.45 |
| RU918-1.50-31 | 1-1/2 | 1-7/8 | .312 | .343 ⁺⁰¹⁰ / ₊₀₀₀ | 1.500 ⁺⁰⁰³⁹ / ₊₀₀₀₀ | 1.876 ⁺⁰⁰⁰⁰ / _{-.0024} | 16.62 |
| RU918-1.75-31 | 1-3/4 | 2-1/8 | .312 | .343 ⁺⁰¹⁰ / ₊₀₀₀ | 1.750 ⁺⁰⁰⁴⁷ / ₊₀₀₀₀ | 2.126 ⁺⁰⁰⁰⁰ / _{-.0024} | 17.02 |
| RU918-2.00-31 | 2 | 2-3/8 | .312 | .343 ⁺⁰¹⁰ / ₊₀₀₀ | 2.000 ⁺⁰⁰⁴⁷ / ₊₀₀₀₀ | 2.376 ⁺⁰⁰⁰ / _{-.003} | 17.37 |
| RU918-2.50-31 | 2-1/2 | 2-7/8 | .312 | .343 ⁺⁰¹⁰ / ₊₀₀₀ | 2.500 ⁺⁰⁰⁴⁷ / ₊₀₀₀₀ | 2.876 ⁺⁰⁰⁰ / _{-.003} | 18.81 |
| 1/4" C/S | | | | | | | |
| RU925-1.50-37 | 1-1/2 | 2 | 3/8 | .406 ⁺⁰¹⁰ / ₊₀₀₀ | 1.500 ⁺⁰⁰⁴⁷ / ₊₀₀₀₀ | 2.000 ⁺⁰⁰⁰⁰ / _{-.0024} | \$18.17 |
| RU925-1.62-37 | 1-5/8 | 2-1/8 | 3/8 | .406 ⁺⁰¹⁰ / ₊₀₀₀ | 1.625 ⁺⁰⁰⁴⁷ / ₊₀₀₀₀ | 2.125 ⁺⁰⁰⁰⁰ / _{-.0024} | 18.45 |
| RU925-1.75-37 | 1-3/4 | 2-1/4 | 3/8 | .406 ⁺⁰¹⁰ / ₊₀₀₀ | 1.750 ⁺⁰⁰⁰⁴⁷ / ₊₀₀₀₀₀ | 2.250 ⁺⁰⁰⁰⁰ / _{-.0024} | 18.74 |
| RU925-1.87-37 | 1-7/8 | 2-3/8 | 3/8 | .406 ⁺⁰¹⁰ / ₊₀₀₀ | 1.875 ⁺⁰⁰⁴⁴ / ₊₀₀₀₀ | 2.375 ⁺⁰⁰⁰⁰ / _{-.0024} | 19.03 |
| RU925-2.00-37 | 2 | 2-1/2 | 3/8 | .406 ⁺⁰¹⁰ / ₊₀₀₀ | 2.000 ⁺⁰⁰⁴⁷ / ₊₀₀₀₀ | 2.500 ⁺⁰⁰⁰ / _{-.003} | 19.32 |
| RU925-2.25-37 | 2-1/4 | 2-3/4 | 3/8 | .406 ⁺⁰¹⁰ / ₊₀₀₀ | 2.250 ⁺⁰⁰⁴⁷ / ₊₀₀₀₀ | 2.750 ⁺⁰⁰⁰ / _{-.003} | 20.59 |

NORTH AMERICA
 PHONE 1-800-777-5617
 FAX 1-800-759-6391

SALES OFFICE HOURS
 8 A.M. TO 7:30 P.M. EASTERN TIME
 www.HerculesUS.com

WORLDWIDE
 PHONE 1-727-796-1300
 FAX 1-727-797-8849



STYLE RU9 URETHANE ROD U-SEALS

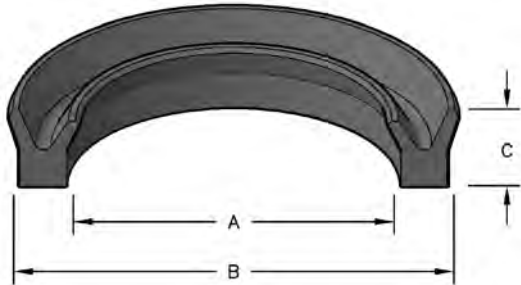
| Part Number | A Nom. ID | B Nom. OD | C Nom. Ht | D GROOVE WIDTH | E ROD DIAMETER | G HOUSING DIAMETER | List Price |
|---------------|--------------|--------------|--------------|--|---|---|---------------|
| RU925-2.50-37 | 2-1/2 | 3 | 3/8 | .406 ^{+0.010} / _{+0.000} | 2.500 ^{+0.0047} / _{+0.0000} | 3.000 ^{+0.000} / _{-.003} | 21.10 |
| RU925-2.62-37 | 2-5/8 | 3-1/8 | 3/8 | .406 ^{+0.010} / _{+0.000} | 2.625 ^{+0.0047} / _{+0.0000} | 3.125 ^{+0.000} / _{-.003} | 21.39 |
| RU925-2.75-37 | 2-3/4 | 3-1/4 | 3/8 | .406 ^{+0.010} / _{+0.000} | 2.750 ^{+0.0055} / _{+0.0000} | 3.250 ^{+0.000} / _{-.003} | 21.67 |
| RU925-3.00-37 | 3 | 3-1/2 | 3/8 | .406 ^{+0.010} / _{+0.000} | 3.000 ^{+0.0055} / _{+0.0000} | 3.500 ^{+0.000} / _{-.003} | 22.25 |
| RU925-3.25-37 | 3-1/4 | 3-3/4 | 3/8 | .406 ^{+0.010} / _{+0.000} | 3.250 ^{+0.0055} / _{+0.0000} | 3.750 ^{+0.000} / _{-.0034} | 27.25 |
| RU925-3.50-37 | 3-1/2 | 4 | 3/8 | .406 ^{+0.010} / _{+0.000} | 3.500 ^{+0.0055} / _{+0.0000} | 4.000 ^{+0.000} / _{-.0034} | 27.77 |
| RU925-3.75-37 | 3-3/4 | 4-1/4 | 3/8 | .406 ^{+0.010} / _{+0.000} | 3.750 ^{+0.0055} / _{+0.0000} | 4.250 ^{+0.000} / _{-.0034} | 30.53 |
| RU925-4.00-37 | 4 | 4-1/2 | 3/8 | .406 ^{+0.010} / _{+0.000} | 4.000 ^{+0.0055} / _{+0.0000} | 4.500 ^{+0.000} / _{-.0034} | 31.11 |

ROD U-SEALS

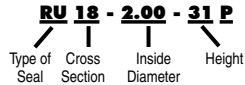


STYLE RU URETHANE ROD U-SEALS

Style RU seals are molded from high quality urethane and designed specifically for rod applications.

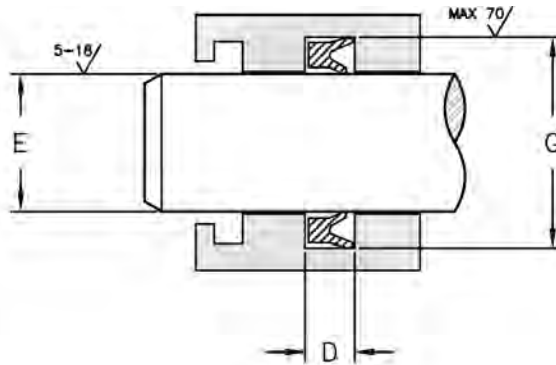


HERCULES PART NUMBERS



| SEAL INFORMATION | |
|-------------------|----------------|
| MATERIAL | 90A URETHANE |
| TEMPERATURE RANGE | -40° TO +200°F |
| PRESSURE RANGE | 0 TO 5,000 PSI |
| SPEED | 3 FT/SEC |

P= HIGH PERFORMANCE MATERIAL UP TO +275°F



ROD U-SEALS

| Part Number | A Nom. ID | B Nom. OD | C Nom. Ht | D GROOVE WIDTH | E ROD DIAMETER | G HOUSING DIAMETER | List Price |
|------------------|--------------|--------------|--------------|--|--|---|---------------|
| 3/16" C/S | | | | | | | |
| RU18-2.00-31P | 2 | 2-3/8 | 5/16 | .344 ⁺⁰¹⁰ / ₊₀₀₀ | 2.000 ⁺⁰⁰⁰ / _{-.002} | 2.375 ⁺⁰⁰² / ₊₀₀₀ | \$24.43 |
| RU18-2.66-30 | 2.66 | 3.035 | .3 | .330 ⁺⁰¹⁰ / ₊₀₀₀ | 2.660 ⁺⁰⁰⁰ / _{-.002} | 3.035 ⁺⁰⁰² / ₊₀₀₀ | 9.24 |
| 1/4" C/S | | | | | | | |
| RU25-1.50-37 | 1-1/2 | 2 | 3/8 | .413 ⁺⁰¹⁰ / ₊₀₀₀ | 1.500 ⁺⁰⁰⁰ / _{-.002} | 2.000 ⁺⁰⁰³ / ₊₀₀₀ | \$7.78 |
| RU25-1.75-37 | 1-3/4 | 2-1/4 | 3/8 | .413 ⁺⁰¹⁰ / ₊₀₀₀ | 1.750 ⁺⁰⁰⁰ / _{-.002} | 2.250 ⁺⁰⁰³ / ₊₀₀₀ | 8.55 |
| RU25-1.75-50 | 1-3/4 | 2-1/4 | 1/2 | .550 ⁺⁰¹⁰ / ₊₀₀₀ | 1.750 ⁺⁰⁰⁰ / _{-.002} | 2.250 ⁺⁰⁰³ / ₊₀₀₀ | 8.55 |
| RU25-2.00-37 | 2 | 2-1/2 | 3/8 | .413 ⁺⁰¹⁰ / ₊₀₀₀ | 2.000 ⁺⁰⁰⁰ / _{-.002} | 2.500 ⁺⁰⁰³ / ₊₀₀₀ | 9.32 |
| RU25-2.50-37 | 2-1/2 | 3 | 3/8 | .413 ⁺⁰¹⁰ / ₊₀₀₀ | 2.500 ⁺⁰⁰⁰ / _{-.002} | 3.000 ⁺⁰⁰³ / ₊₀₀₀ | 12.13 |
| RU25-3.00-37 | 3 | 3-1/2 | 3/8 | .413 ⁺⁰¹⁰ / ₊₀₀₀ | 3.000 ⁺⁰⁰⁰ / _{-.002} | 3.500 ⁺⁰⁰³ / ₊₀₀₀ | 17.19 |
| 5/16" C/S | | | | | | | |
| RU31-2.62-62 | 2-5/8 | 3-1/4 | 5/8 | .688 ⁺⁰¹⁰ / ₊₀₀₀ | 2.625 ⁺⁰⁰⁰ / _{-.002} | 3.250 ⁺⁰⁰⁴ / ₊₀₀₀ | \$13.86 |
| RU31-3.37-50 | 3-3/8 | 4 | 1/2 | .550 ⁺⁰¹⁰ / ₊₀₀₀ | 3.375 ⁺⁰⁰⁰ / _{-.002} | 4.000 ⁺⁰⁰⁴ / ₊₀₀₀ | 17.51 |
| RU31-3.75-62 | 3-3/4 | 4-3/8 | 5/8 | .688 ⁺⁰¹⁰ / ₊₀₀₀ | 3.750 ⁺⁰⁰⁰ / _{-.002} | 4.375 ⁺⁰⁰⁴ / ₊₀₀₀ | 19.58 |
| RU31-4.62-62 | 4-5/8 | 5-1/4 | 5/8 | .688 ⁺⁰¹⁰ / ₊₀₀₀ | 4.625 ⁺⁰⁰⁰ / _{-.002} | 5.250 ⁺⁰⁰⁴ / ₊₀₀₀ | 24.45 |
| RU31-5.75-62 | 5-3/4 | 6-3/8 | 5/8 | .688 ⁺⁰¹⁰ / ₊₀₀₀ | 5.750 ⁺⁰⁰⁰ / _{-.002} | 6.375 ⁺⁰⁰⁴ / ₊₀₀₀ | 27.42 |

NORTH AMERICA
 PHONE 1-800-777-5617
 FAX 1-800-759-6391

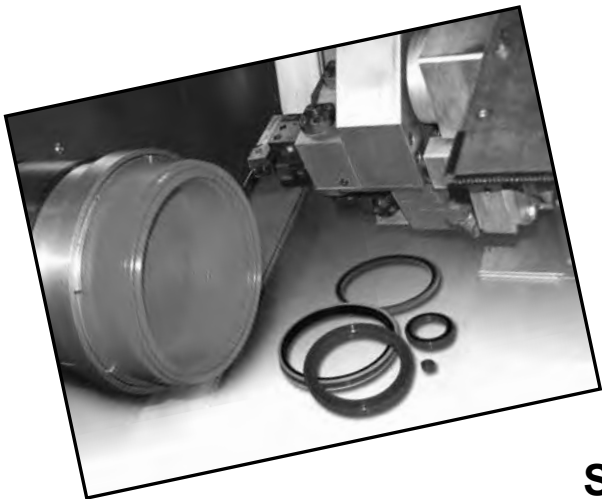
SALES OFFICE HOURS
 8 A.M. TO 7:30 P.M. EASTERN TIME
 www.HerculesUS.com

WORLDWIDE
 PHONE 1-727-796-1300
 FAX 1-727-797-8849

STYLE RU URETHANE ROD U-SEALS

| Part Number | A Nom. ID | B Nom. OD | C Nom. Ht | D GROOVE WIDTH | E ROD DIAMETER | G HOUSING DIAMETER | List Price |
|--------------|--------------|--------------|--------------|--|--|---|---------------|
| RU31-6.75-62 | 6-3/4 | 7-3/8 | 5/8 | .688 ⁺⁰¹⁰ / ₊₀₀₀ | 6.750 ⁺⁰⁰⁰ / _{-.002} | 7.375 ⁺⁰⁰⁴ / ₊₀₀₀ | 31.03 |

ROD U-SEALS



**Need a Specific Size or
Material Not Listed?
Hercules Manufactures
Custom Seals On Demand.**

**Place Your Order
by 3:30 PM ET
and it Ships
the Same Day!**

**See the Custom Seal Section
of this Catalog for a List of
Material and Style Offerings.**

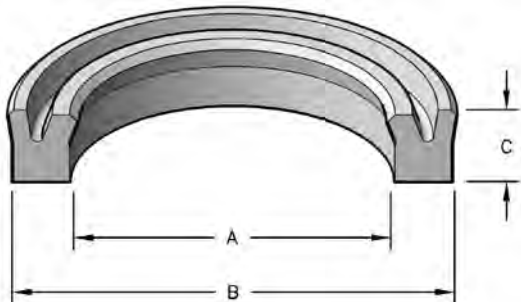
Seal color may vary. Special order sizes are available. Sizes not shown and out of stock items can also be ordered for next day delivery through Seals On Demand, our custom seal program. Please call your regional sales team for assistance.



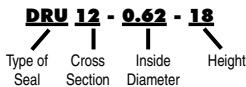
STYLE DRU HEAVY DUTY ROD U-SEALS

These seals are specifically designed to seal on their inside diameter and engineered to attain maximum life and reliability in dynamic rod sealing.

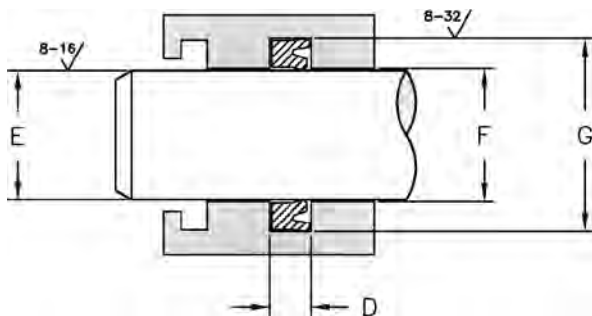
ROD U-SEALS



HERCULES PART NUMBERS



| SEAL INFORMATION | |
|-------------------|-----------------|
| MATERIAL | 92A URETHANE |
| TEMPERATURE RANGE | -65° TO +230° F |
| PRESSURE RANGE | 0 TO 6,000 PSI |
| SPEED | 3 FT/SEC |



| Part Number | A Nom. ID | B Nom. OD | C Nom. Ht | D GROOVE WIDTH | E ROD DIAMETER | F THROAT DIAMETER | G HOUSING DIAMETER | List Price |
|------------------|-----------|-----------|-----------|--|---|---|---|------------|
| 1/8" C/S | | | | | | | | |
| DRU12-0.62-18 | 5/8 | 7/8 | 3/16 | .218 ⁺⁰¹⁵ / ₊₀₀₀ | .625 ⁺⁰⁰⁰ / ₋₀₀₃ | .626 ⁺⁰⁰³ / ₊₀₀₀ | .875 ⁺⁰⁰⁵ / ₊₀₀₀ | \$8.61 |
| DRU12-0.75-12 | 3/4 | 1 | 1/8 | .156 ⁺⁰¹⁵ / ₊₀₀₀ | .750 ⁺⁰⁰⁰ / ₋₀₀₃ | .751 ⁺⁰⁰³ / ₊₀₀₀ | 1.000 ⁺⁰⁰⁵ / ₊₀₀₀ | 7.35 |
| DRU12-0.75-25 | 3/4 | 1 | 1/4 | .281 ⁺⁰¹⁵ / ₊₀₀₀ | .750 ⁺⁰⁰⁰ / ₋₀₀₃ | .751 ⁺⁰⁰³ / ₊₀₀₀ | 1.000 ⁺⁰⁰⁵ / ₊₀₀₀ | 8.71 |
| DRU12-0.87-12 | 7/8 | 1-1/8 | 1/8 | .156 ⁺⁰¹⁵ / ₊₀₀₀ | .875 ⁺⁰⁰⁰ / ₋₀₀₃ | .876 ⁺⁰⁰³ / ₊₀₀₀ | 1.125 ⁺⁰⁰⁵ / ₊₀₀₀ | 8.29 |
| DRU12-1.00-12 | 1 | 1-1/4 | 1/8 | .156 ⁺⁰¹⁵ / ₊₀₀₀ | 1.000 ⁺⁰⁰⁰ / ₋₀₀₃ | 1.001 ⁺⁰⁰³ / ₊₀₀₀ | 1.250 ⁺⁰⁰⁵ / ₊₀₀₀ | 8.95 |
| DRU12-1.00-18 | 1 | 1-1/4 | 3/16 | .218 ⁺⁰¹⁵ / ₊₀₀₀ | 1.000 ⁺⁰⁰⁰ / ₋₀₀₃ | 1.001 ⁺⁰⁰³ / ₊₀₀₀ | 1.250 ⁺⁰⁰⁵ / ₊₀₀₀ | 7.98 |
| 3/16" C/S | | | | | | | | |
| DRU18-0.87-18 | 7/8 | 1-1/4 | 3/16 | .218 ⁺⁰¹⁵ / ₊₀₀₀ | .875 ⁺⁰⁰⁰ / ₋₀₀₃ | .876 ⁺⁰⁰³ / ₊₀₀₀ | 1.250 ⁺⁰⁰⁵ / ₊₀₀₀ | \$7.75 |
| DRU18-0.87-25 | 7/8 | 1-1/4 | 1/4 | .281 ⁺⁰¹⁵ / ₊₀₀₀ | .875 ⁺⁰⁰⁰ / ₋₀₀₃ | .876 ⁺⁰⁰³ / ₊₀₀₀ | 1.250 ⁺⁰⁰⁵ / ₊₀₀₀ | 8.90 |
| DRU18-1.12-31 | 1-1/8 | 1-1/2 | 5/16 | .343 ⁺⁰¹⁵ / ₊₀₀₀ | 1.125 ⁺⁰⁰⁰ / ₋₀₀₃ | 1.126 ⁺⁰⁰³ / ₊₀₀₀ | 1.500 ⁺⁰⁰⁷ / ₊₀₀₀ | 8.22 |
| DRU18-1.12-37 | 1-1/8 | 1-1/2 | 3/8 | .406 ⁺⁰¹⁵ / ₊₀₀₀ | 1.125 ⁺⁰⁰⁰ / ₋₀₀₃ | 1.126 ⁺⁰⁰³ / ₊₀₀₀ | 1.500 ⁺⁰⁰⁷ / ₊₀₀₀ | 8.35 |
| DRU18-1.75-25 | 1-3/4 | 2-1/8 | 1/4 | .281 ⁺⁰¹⁵ / ₊₀₀₀ | 1.750 ⁺⁰⁰⁰ / ₋₀₀₃ | 1.751 ⁺⁰⁰³ / ₊₀₀₀ | 2.125 ⁺⁰⁰⁸ / ₊₀₀₀ | 12.35 |
| DRU18-1.87-31 | 1-7/8 | 2-1/4 | 5/16 | .343 ⁺⁰¹⁵ / ₊₀₀₀ | 1.875 ⁺⁰⁰⁰ / ₋₀₀₃ | 1.876 ⁺⁰⁰³ / ₊₀₀₀ | 2.250 ⁺⁰⁰⁸ / ₊₀₀₀ | 26.07 |
| DRU18-2.00-25 | 2 | 2-3/8 | 1/4 | .281 ⁺⁰¹⁵ / ₊₀₀₀ | 2.000 ⁺⁰⁰⁰ / ₋₀₀₃ | 2.001 ⁺⁰⁰⁴ / ₊₀₀₀ | 2.375 ⁺⁰⁰⁸ / ₊₀₀₀ | 14.65 |
| DRU18-2.25-31 | 2-1/4 | 2-5/8 | 5/16 | .343 ⁺⁰¹⁵ / ₊₀₀₀ | 2.250 ⁺⁰⁰⁰ / ₋₀₀₃ | 2.251 ⁺⁰⁰⁴ / ₊₀₀₀ | 2.625 ⁺⁰⁰⁸ / ₊₀₀₀ | 15.58 |

NORTH AMERICA
 PHONE 1-800-777-5617
 FAX 1-800-759-6391

SALES OFFICE HOURS
 8 A.M. TO 7:30 P.M. EASTERN TIME
 www.HerculesUS.com

WORLDWIDE
 PHONE 1-727-796-1300
 FAX 1-727-797-8849



STYLE DRU HEAVY DUTY ROD U-SEALS

| Part Number | A Nom. ID | B Nom. OD | C Nom. Ht | D GROOVE WIDTH | E ROD DIAMETER | F THROAT DIAMETER | G HOUSING DIAMETER | List Price |
|------------------|--------------|--------------|--------------|--|--|---|---|---------------|
| DRU18-2.50-31 | 2-1/2 | 2-7/8 | 5/16 | .343 ⁺⁰¹⁵ / ₊₀₀₀ | 2.500 ⁺⁰⁰⁰ / _{-.003} | 2.501 ⁺⁰⁰⁴ / ₊₀₀₀ | 2.875 ⁺⁰⁰⁸ / ₊₀₀₀ | 21.65 |
| 1/4" C/S | | | | | | | | |
| DRU25-0.93-37 | 15/16 | 1-7/16 | 3/8 | .406 ⁺⁰¹⁵ / ₊₀₀₀ | .937 ⁺⁰⁰⁰ / _{-.003} | .938 ⁺⁰⁰³ / ₊₀₀₀ | 1.438 ⁺⁰⁰⁵ / ₊₀₀₀ | \$8.11 |
| DRU25-1.00-25 | 1 | 1-1/2 | 1/4 | .281 ⁺⁰¹⁵ / ₊₀₀₀ | 1.000 ⁺⁰⁰⁰ / _{-.003} | 1.001 ⁺⁰⁰³ / ₊₀₀₀ | 1.500 ⁺⁰⁰⁷ / ₊₀₀₀ | 8.11 |
| DRU25-1.12-25 | 1-1/8 | 1-5/8 | 1/4 | .281 ⁺⁰¹⁵ / ₊₀₀₀ | 1.125 ⁺⁰⁰⁰ / _{-.003} | 1.126 ⁺⁰⁰³ / ₊₀₀₀ | 1.625 ⁺⁰⁰⁷ / ₊₀₀₀ | 10.30 |
| DRU25-1.25-25 | 1-1/4 | 1-3/4 | 1/4 | .281 ⁺⁰¹⁵ / ₊₀₀₀ | 1.250 ⁺⁰⁰⁰ / _{-.003} | 1.251 ⁺⁰⁰³ / ₊₀₀₀ | 1.750 ⁺⁰⁰⁷ / ₊₀₀₀ | 10.01 |
| DRU25-1.25-31 | 1-1/4 | 1-3/4 | 5/16 | .343 ⁺⁰¹⁵ / ₊₀₀₀ | 1.250 ⁺⁰⁰⁰ / _{-.003} | 1.251 ⁺⁰⁰³ / ₊₀₀₀ | 1.750 ⁺⁰⁰⁷ / ₊₀₀₀ | 10.01 |
| DRU25-1.50-31 | 1-1/2 | 2 | 5/16 | .343 ⁺⁰¹⁵ / ₊₀₀₀ | 1.500 ⁺⁰⁰⁰ / _{-.003} | 1.501 ⁺⁰⁰³ / ₊₀₀₀ | 2.000 ⁺⁰⁰⁸ / ₊₀₀₀ | 11.91 |
| DRU25-1.62-31 | 1-5/8 | 2-1/8 | 5/16 | .343 ⁺⁰¹⁵ / ₊₀₀₀ | 1.625 ⁺⁰⁰⁰ / _{-.003} | 1.626 ⁺⁰⁰³ / ₊₀₀₀ | 2.125 ⁺⁰⁰⁸ / ₊₀₀₀ | 13.05 |
| DRU25-1.87-37 | 1-7/8 | 2-3/8 | 3/8 | .406 ⁺⁰¹⁵ / ₊₀₀₀ | 1.875 ⁺⁰⁰⁰ / _{-.003} | 1.876 ⁺⁰⁰³ / ₊₀₀₀ | 2.375 ⁺⁰⁰⁸ / ₊₀₀₀ | 31.89 |
| DRU25-2.00-25 | 2 | 2-1/2 | 1/4 | .281 ⁺⁰¹⁵ / ₊₀₀₀ | 2.000 ⁺⁰⁰⁰ / _{-.003} | 2.001 ⁺⁰⁰⁴ / ₊₀₀₀ | 2.500 ⁺⁰⁰⁸ / ₊₀₀₀ | 15.37 |
| DRU25-2.00-31 | 2 | 2-1/2 | 5/16 | .343 ⁺⁰¹⁵ / ₊₀₀₀ | 2.000 ⁺⁰⁰⁰ / _{-.003} | 2.001 ⁺⁰⁰⁴ / ₊₀₀₀ | 2.500 ⁺⁰⁰⁸ / ₊₀₀₀ | 15.37 |
| DRU25-2.12-37 | 2-1/8 | 2-5/8 | 3/8 | .406 ⁺⁰¹⁵ / ₊₀₀₀ | 2.125 ⁺⁰⁰⁰ / _{-.003} | 2.126 ⁺⁰⁰⁴ / ₊₀₀₀ | 2.625 ⁺⁰⁰⁸ / ₊₀₀₀ | 22.48 |
| DRU25-2.37-37 | 2-3/8 | 2-7/8 | 3/8 | .406 ⁺⁰¹⁵ / ₊₀₀₀ | 2.375 ⁺⁰⁰⁰ / _{-.003} | 2.376 ⁺⁰⁰⁴ / ₊₀₀₀ | 2.875 ⁺⁰⁰⁸ / ₊₀₀₀ | 15.58 |
| DRU25-2.50-25 | 2-1/2 | 3 | 1/4 | .281 ⁺⁰¹⁵ / ₊₀₀₀ | 2.500 ⁺⁰⁰⁰ / _{-.003} | 2.501 ⁺⁰⁰⁴ / ₊₀₀₀ | 3.000 ⁺⁰⁰⁸ / ₊₀₀₀ | 15.94 |
| DRU25-2.50-31 | 2-1/2 | 3 | 5/16 | .343 ⁺⁰¹⁵ / ₊₀₀₀ | 2.500 ⁺⁰⁰⁰ / _{-.003} | 2.501 ⁺⁰⁰⁴ / ₊₀₀₀ | 3.000 ⁺⁰⁰⁸ / ₊₀₀₀ | 15.94 |
| DRU25-2.62-37 | 2-5/8 | 3-1/8 | 3/8 | .406 ⁺⁰¹⁵ / ₊₀₀₀ | 2.625 ⁺⁰⁰⁰ / _{-.003} | 2.626 ⁺⁰⁰⁴ / ₊₀₀₀ | 3.125 ⁺⁰⁰⁸ / ₊₀₀₀ | 16.28 |
| DRU25-3.00-37 | 3 | 3-1/2 | 3/8 | .406 ⁺⁰¹⁵ / ₊₀₀₀ | 3.000 ⁺⁰⁰⁰ / _{-.004} | 3.001 ⁺⁰⁰⁴ / ₊₀₀₀ | 3.500 ⁺⁰⁰⁹ / ₊₀₀₀ | 16.17 |
| DRU25-3.37-37 | 3-3/8 | 3-7/8 | 3/8 | .406 ⁺⁰¹⁵ / ₊₀₀₀ | 3.375 ⁺⁰⁰⁰ / _{-.004} | 3.376 ⁺⁰⁰⁴ / ₊₀₀₀ | 3.875 ⁺⁰⁰⁹ / ₊₀₀₀ | 17.71 |
| DRU25-3.50-37 | 3-1/2 | 4 | 3/8 | .406 ⁺⁰¹⁵ / ₊₀₀₀ | 3.500 ⁺⁰⁰⁰ / _{-.004} | 3.501 ⁺⁰⁰⁴ / ₊₀₀₀ | 4.000 ⁺⁰⁰⁹ / ₊₀₀₀ | 18.61 |
| DRU25-3.75-59 | 3-3/4 | 4-1/4 | 19/32 | .620 ⁺⁰¹⁵ / ₊₀₀₀ | 3.750 ⁺⁰⁰⁰ / _{-.004} | 3.751 ⁺⁰⁰⁴ / ₊₀₀₀ | 4.250 ⁺⁰⁰⁹ / ₊₀₀₀ | 44.63 |
| DRU25-4.00-25 | 4 | 4-1/2 | 1/4 | .281 ⁺⁰¹⁵ / ₊₀₀₀ | 4.000 ⁺⁰⁰⁰ / _{-.004} | 4.001 ⁺⁰⁰⁴ / ₊₀₀₀ | 4.500 ⁺⁰⁰⁹ / ₊₀₀₀ | 27.03 |
| DRU25-4.00-56 | 4 | 4-1/2 | 9/16 | .594 ⁺⁰¹⁵ / ₊₀₀₀ | 4.000 ⁺⁰⁰⁰ / _{-.004} | 4.001 ⁺⁰⁰⁴ / ₊₀₀₀ | 4.500 ⁺⁰⁰⁹ / ₊₀₀₀ | 23.76 |
| DRU25-4.50-56 | 4-1/2 | 5 | 9/16 | .594 ⁺⁰¹⁵ / ₊₀₀₀ | 4.500 ⁺⁰⁰⁰ / _{-.004} | 4.501 ⁺⁰⁰⁴ / ₊₀₀₀ | 5.000 ⁺⁰¹⁰ / ₊₀₀₀ | 28.10 |
| DRU25-5.00-56 | 5 | 5-1/2 | 9/16 | .594 ⁺⁰¹⁵ / ₊₀₀₀ | 5.000 ⁺⁰⁰⁰ / _{-.004} | 5.001 ⁺⁰⁰⁴ / ₊₀₀₀ | 5.500 ⁺⁰¹⁰ / ₊₀₀₀ | 35.57 |
| DRU25-5.25-59 | 5-1/4 | 5-3/4 | 19/32 | .620 ⁺⁰¹⁵ / ₊₀₀₀ | 5.250 ⁺⁰⁰⁰ / _{-.004} | 5.251 ⁺⁰⁰⁴ / ₊₀₀₀ | 5.750 ⁺⁰¹⁰ / ₊₀₀₀ | 64.62 |
| DRU25-6.75-59 | 6-3/4 | 7-1/4 | 19/32 | .620 ⁺⁰¹⁵ / ₊₀₀₀ | 6.750 ⁺⁰⁰⁰ / _{-.004} | 6.751 ⁺⁰⁰⁴ / ₊₀₀₀ | 7.250 ⁺⁰¹¹ / ₊₀₀₀ | 83.75 |
| .3" C/S | | | | | | | | |
| DRU30-5.00-37 | 5 | 5.6 | 3/8 | .406 ⁺⁰¹⁵ / ₊₀₀₀ | 5.000 ⁺⁰⁰⁰ / _{-.004} | 5.001 ⁺⁰⁰⁴ / ₊₀₀₀ | 5.600 ⁺⁰¹⁰ / ₊₀₀₀ | \$52.48 |
| 5/16" C/S | | | | | | | | |
| DRU31-1.37-37 | 1-3/8 | 2 | 3/8 | .406 ⁺⁰¹⁵ / ₊₀₀₀ | 1.375 ⁺⁰⁰⁰ / _{-.003} | 1.376 ⁺⁰⁰³ / ₊₀₀₀ | 2.000 ⁺⁰⁰⁸ / ₊₀₀₀ | \$11.91 |
| DRU31-2.00-37 | 2 | 2-5/8 | 3/8 | .406 ⁺⁰¹⁵ / ₊₀₀₀ | 2.000 ⁺⁰⁰⁰ / _{-.003} | 2.001 ⁺⁰⁰⁴ / ₊₀₀₀ | 2.625 ⁺⁰⁰⁸ / ₊₀₀₀ | 14.91 |
| DRU31-2.25-37 | 2-1/4 | 2-7/8 | 3/8 | .406 ⁺⁰¹⁵ / ₊₀₀₀ | 2.250 ⁺⁰⁰⁰ / _{-.003} | 2.251 ⁺⁰⁰⁴ / ₊₀₀₀ | 2.875 ⁺⁰⁰⁸ / ₊₀₀₀ | 17.71 |
| DRU31-2.25-50 | 2-1/4 | 2-7/8 | 1/2 | .531 ⁺⁰¹⁵ / ₊₀₀₀ | 2.250 ⁺⁰⁰⁰ / _{-.003} | 2.251 ⁺⁰⁰⁴ / ₊₀₀₀ | 2.875 ⁺⁰⁰⁸ / ₊₀₀₀ | 17.71 |

ROD U-SEALS

FORMERLY LISTED SEALS ARE AVAILABLE ONLINE AT WWW.HERCULESUS.COM
OR BY CONTACTING YOUR REGIONAL HERCULES SALES TEAM.



STYLE DRU HEAVY DUTY ROD U-SEALS

ROD U-SEALS

| Part Number | A Nom. ID | B Nom. OD | C Nom. Ht | D GROOVE WIDTH | E ROD DIAMETER | F THROAT DIAMETER | G HOUSING DIAMETER | List Price |
|-----------------|--------------|--------------|--------------|--|---|---|---|---------------|
| DRU31-2.37-37 | 2-3/8 | 3 | 3/8 | .406 ⁺⁰¹⁵ / ₊₀₀₀ | 2.375 ⁺⁰⁰⁰ / ₋₀₀₃ | 2.376 ⁺⁰⁰⁴ / ₊₀₀₀ | 3.000 ⁺⁰⁰⁸ / ₊₀₀₀ | 15.94 |
| DRU31-2.37-50 | 2-3/8 | 3 | 1/2 | .531 ⁺⁰¹⁵ / ₊₀₀₀ | 2.375 ⁺⁰⁰⁰ / ₋₀₀₃ | 2.376 ⁺⁰⁰⁴ / ₊₀₀₀ | 3.000 ⁺⁰⁰⁸ / ₊₀₀₀ | 16.84 |
| DRU31-2.75-37 | 2-3/4 | 3-3/8 | 3/8 | .406 ⁺⁰¹⁵ / ₊₀₀₀ | 2.750 ⁺⁰⁰⁰ / ₋₀₀₃ | 2.751 ⁺⁰⁰⁴ / ₊₀₀₀ | 3.375 ⁺⁰⁰⁹ / ₊₀₀₀ | 18.86 |
| DRU31-3.00-37 | 3 | 3-5/8 | 3/8 | .406 ⁺⁰¹⁵ / ₊₀₀₀ | 3.000 ⁺⁰⁰⁰ / ₋₀₀₄ | 3.001 ⁺⁰⁰⁴ / ₊₀₀₀ | 3.625 ⁺⁰⁰⁹ / ₊₀₀₀ | 19.61 |
| DRU31-3.25-50 | 3-1/4 | 3-7/8 | 1/2 | .531 ⁺⁰¹⁵ / ₊₀₀₀ | 3.250 ⁺⁰⁰⁰ / ₋₀₀₄ | 3.251 ⁺⁰⁰⁴ / ₊₀₀₀ | 3.875 ⁺⁰⁰⁹ / ₊₀₀₀ | 23.56 |
| DRU31-3.37-50 | 3-3/8 | 4 | 1/2 | .531 ⁺⁰¹⁵ / ₊₀₀₀ | 3.375 ⁺⁰⁰⁰ / ₋₀₀₄ | 3.376 ⁺⁰⁰⁴ / ₊₀₀₀ | 4.000 ⁺⁰⁰⁹ / ₊₀₀₀ | 22.86 |
| DRU31-4.00-50 | 4 | 4-5/8 | 1/2 | .531 ⁺⁰¹⁵ / ₊₀₀₀ | 4.000 ⁺⁰⁰⁰ / ₋₀₀₄ | 4.001 ⁺⁰⁰⁴ / ₊₀₀₀ | 4.625 ⁺⁰⁰⁹ / ₊₀₀₀ | 28.44 |
| DRU31-4.50-37 | 4-1/2 | 5-1/8 | 3/8 | .406 ⁺⁰¹⁵ / ₊₀₀₀ | 4.500 ⁺⁰⁰⁰ / ₋₀₀₄ | 4.501 ⁺⁰⁰⁴ / ₊₀₀₀ | 5.125 ⁺⁰¹⁰ / ₊₀₀₀ | 32.79 |
| DRU31-5.50-37 | 5-1/2 | 6-1/8 | 3/8 | .406 ⁺⁰¹⁵ / ₊₀₀₀ | 5.500 ⁺⁰⁰⁰ / ₋₀₀₄ | 5.501 ⁺⁰⁰⁴ / ₊₀₀₀ | 6.125 ⁺⁰¹⁰ / ₊₀₀₀ | 47.01 |
| 3/8" C/S | | | | | | | | |
| DRU37-2.00-37 | 2 | 2-3/4 | 3/8 | .406 ⁺⁰¹⁵ / ₊₀₀₀ | 2.000 ⁺⁰⁰⁰ / ₋₀₀₃ | 2.001 ⁺⁰⁰⁴ / ₊₀₀₀ | 2.750 ⁺⁰⁰⁸ / ₊₀₀₀ | \$ 15.94 |
| DRU37-2.00-50 | 2 | 2-3/4 | 1/2 | .531 ⁺⁰¹⁵ / ₊₀₀₀ | 2.000 ⁺⁰⁰⁰ / ₋₀₀₃ | 2.001 ⁺⁰⁰⁴ / ₊₀₀₀ | 2.750 ⁺⁰⁰⁸ / ₊₀₀₀ | 15.94 |
| DRU37-3.00-37 | 3 | 3-3/4 | 3/8 | .406 ⁺⁰¹⁵ / ₊₀₀₀ | 3.000 ⁺⁰⁰⁰ / ₋₀₀₄ | 3.001 ⁺⁰⁰⁴ / ₊₀₀₀ | 3.750 ⁺⁰⁰⁹ / ₊₀₀₀ | 18.89 |
| DRU37-3.00-62 | 3 | 3-3/4 | 5/8 | .656 ⁺⁰¹⁵ / ₊₀₀₀ | 3.000 ⁺⁰⁰⁰ / ₋₀₀₄ | 3.001 ⁺⁰⁰⁴ / ₊₀₀₀ | 3.750 ⁺⁰⁰⁹ / ₊₀₀₀ | 21.48 |
| DRU37-3.50-37 | 3-1/2 | 4-1/4 | 3/8 | .406 ⁺⁰¹⁵ / ₊₀₀₀ | 3.500 ⁺⁰⁰⁰ / ₋₀₀₄ | 3.501 ⁺⁰⁰⁴ / ₊₀₀₀ | 4.250 ⁺⁰⁰⁹ / ₊₀₀₀ | 24.86 |
| DRU37-3.50-50 | 3-1/2 | 4-1/4 | 1/2 | .531 ⁺⁰¹⁵ / ₊₀₀₀ | 3.500 ⁺⁰⁰⁰ / ₋₀₀₄ | 3.501 ⁺⁰⁰⁴ / ₊₀₀₀ | 4.250 ⁺⁰⁰⁹ / ₊₀₀₀ | 24.86 |
| DRU37-3.62-37 | 3-5/8 | 4-3/8 | 3/8 | .406 ⁺⁰¹⁵ / ₊₀₀₀ | 3.625 ⁺⁰⁰⁰ / ₋₀₀₄ | 3.626 ⁺⁰⁰⁴ / ₊₀₀₀ | 4.375 ⁺⁰⁰⁹ / ₊₀₀₀ | 24.86 |
| DRU37-4.00-37 | 4 | 4-3/4 | 3/8 | .406 ⁺⁰¹⁵ / ₊₀₀₀ | 4.000 ⁺⁰⁰⁰ / ₋₀₀₄ | 4.001 ⁺⁰⁰⁴ / ₊₀₀₀ | 4.750 ⁺⁰⁰⁹ / ₊₀₀₀ | 28.44 |
| DRU37-4.00-50 | 4 | 4-3/4 | 1/2 | .531 ⁺⁰¹⁵ / ₊₀₀₀ | 4.000 ⁺⁰⁰⁰ / ₋₀₀₄ | 4.001 ⁺⁰⁰⁴ / ₊₀₀₀ | 4.750 ⁺⁰⁰⁹ / ₊₀₀₀ | 28.44 |
| DRU37-4.00-62 | 4 | 4-3/4 | 5/8 | .656 ⁺⁰¹⁵ / ₊₀₀₀ | 4.000 ⁺⁰⁰⁰ / ₋₀₀₄ | 4.001 ⁺⁰⁰⁴ / ₊₀₀₀ | 4.750 ⁺⁰⁰⁹ / ₊₀₀₀ | 44.03 |
| DRU37-4.25-50 | 4-1/4 | 5 | 1/2 | .531 ⁺⁰¹⁵ / ₊₀₀₀ | 4.250 ⁺⁰⁰⁰ / ₋₀₀₄ | 4.251 ⁺⁰⁰⁴ / ₊₀₀₀ | 5.000 ⁺⁰¹⁰ / ₊₀₀₀ | 27.85 |
| DRU37-4.25-62 | 4-1/4 | 5 | 5/8 | .656 ⁺⁰¹⁵ / ₊₀₀₀ | 4.250 ⁺⁰⁰⁰ / ₋₀₀₄ | 4.251 ⁺⁰⁰⁴ / ₊₀₀₀ | 5.000 ⁺⁰¹⁰ / ₊₀₀₀ | 28.82 |
| DRU37-4.37-50 | 4-3/8 | 5-1/8 | 1/2 | .531 ⁺⁰¹⁵ / ₊₀₀₀ | 4.375 ⁺⁰⁰⁰ / ₋₀₀₄ | 4.376 ⁺⁰⁰⁴ / ₊₀₀₀ | 5.125 ⁺⁰¹⁰ / ₊₀₀₀ | 39.64 |
| DRU37-4.50-50 | 4-1/2 | 5-1/4 | 1/2 | .531 ⁺⁰¹⁵ / ₊₀₀₀ | 4.500 ⁺⁰⁰⁰ / ₋₀₀₄ | 4.501 ⁺⁰⁰⁴ / ₊₀₀₀ | 5.250 ⁺⁰¹⁰ / ₊₀₀₀ | 29.86 |
| DRU37-4.50-62 | 4-1/2 | 5-1/4 | 5/8 | .656 ⁺⁰¹⁵ / ₊₀₀₀ | 4.500 ⁺⁰⁰⁰ / ₋₀₀₄ | 4.501 ⁺⁰⁰⁴ / ₊₀₀₀ | 5.250 ⁺⁰¹⁰ / ₊₀₀₀ | 29.60 |
| DRU37-4.75-37 | 4-3/4 | 5-1/2 | 3/8 | .406 ⁺⁰¹⁵ / ₊₀₀₀ | 4.750 ⁺⁰⁰⁰ / ₋₀₀₄ | 4.751 ⁺⁰⁰⁴ / ₊₀₀₀ | 5.500 ⁺⁰¹⁰ / ₊₀₀₀ | 37.95 |
| DRU37-4.87-50 | 4-7/8 | 5-5/8 | 1/2 | .531 ⁺⁰¹⁵ / ₊₀₀₀ | 4.875 ⁺⁰⁰⁰ / ₋₀₀₄ | 4.876 ⁺⁰⁰⁴ / ₊₀₀₀ | 5.625 ⁺⁰¹⁰ / ₊₀₀₀ | 50.58 |
| DRU37-5.25-62 | 5-1/4 | 6 | 5/8 | .656 ⁺⁰¹⁵ / ₊₀₀₀ | 5.250 ⁺⁰⁰⁰ / ₋₀₀₄ | 5.251 ⁺⁰⁰⁴ / ₊₀₀₀ | 6.000 ⁺⁰¹⁰ / ₊₀₀₀ | 45.15 |
| DRU37-5.75-62 | 5-3/4 | 6-1/2 | 5/8 | .656 ⁺⁰¹⁵ / ₊₀₀₀ | 5.750 ⁺⁰⁰⁰ / ₋₀₀₄ | 5.751 ⁺⁰⁰⁴ / ₊₀₀₀ | 6.500 ⁺⁰¹⁰ / ₊₀₀₀ | 61.48 |
| DRU37-6.00-62 | 6 | 6-3/4 | 5/8 | .656 ⁺⁰¹⁵ / ₊₀₀₀ | 6.000 ⁺⁰⁰⁰ / ₋₀₀₄ | 6.001 ⁺⁰⁰⁴ / ₊₀₀₀ | 6.750 ⁺⁰¹⁰ / ₊₀₀₀ | 64.51 |
| DRU37-6.50-50 | 6-1/2 | 7-1/4 | 1/2 | .531 ⁺⁰¹⁵ / ₊₀₀₀ | 6.500 ⁺⁰⁰⁰ / ₋₀₀₄ | 6.501 ⁺⁰⁰⁴ / ₊₀₀₀ | 7.250 ⁺⁰¹¹ / ₊₀₀₀ | 70.50 |
| DRU37-6.50-62 | 6-1/2 | 7-1/4 | 5/8 | .656 ⁺⁰¹⁵ / ₊₀₀₀ | 6.500 ⁺⁰⁰⁰ / ₋₀₀₄ | 6.501 ⁺⁰⁰⁴ / ₊₀₀₀ | 7.250 ⁺⁰¹¹ / ₊₀₀₀ | 84.56 |
| DRU37-7.00-50 | 7 | 7-3/4 | 1/2 | .531 ⁺⁰¹⁵ / ₊₀₀₀ | 7.000 ⁺⁰⁰⁰ / ₋₀₀₅ | 7.001 ⁺⁰⁰⁴ / ₊₀₀₀ | 7.750 ⁺⁰¹¹ / ₊₀₀₀ | 76.84 |

NORTH AMERICA
PHONE 1-800-777-5617
FAX 1-800-759-6391

SALES OFFICE HOURS
8 A.M. TO 7:30 P.M. EASTERN TIME
www.HerculesUS.com

WORLDWIDE
PHONE 1-727-796-1300
FAX 1-727-797-8849



STYLE DRU HEAVY DUTY ROD U-SEALS

| Part Number | A Nom. ID | B Nom. OD | C Nom. Ht | D GROOVE WIDTH | E ROD DIAMETER | F THROAT DIAMETER | G HOUSING DIAMETER | List Price |
|------------------|--------------|--------------|--------------|--|---|--|--|---------------|
| DRU37-7.00-62 | 7 | 7-3/4 | 5/8 | .656 ⁺⁰¹⁵ / ₊₀₀₀ | 7.000 ⁺⁰⁰⁰ / _{-.005} | 7.001 ⁺⁰⁰⁴ / ₊₀₀₀ | 7.750 ⁺⁰¹¹ / ₊₀₀₀ | 83.09 |
| 7/16" C/S | | | | | | | | |
| DRU43-4.50-48 | 4-1/2 | 5-3/8 | .49 | .531 ⁺⁰¹⁵ / ₊₀₀₀ | 4.500 ⁺⁰⁰⁰ / _{-.002} | 4.501 ⁺⁰⁰⁴ / ₊₀₀₀ | 5.375 ⁺⁰⁰⁹ / ₊₀₀₀ | \$43.25 |
| 1/2" C/S | | | | | | | | |
| DRU50-5.00-75 | 5 | 6 | 3/4 | .781 ⁺⁰¹⁵ / ₊₀₀₀ | 5.000 ⁺⁰⁰⁰ / _{-.004} | 5.001 ⁺⁰⁰⁴ / ₊₀₀₀ | 6.000 ⁺⁰¹⁰ / ₊₀₀₀ | \$73.07 |
| DRU50-7.00-69 | 7 | 8 | 11/16 | .720 ⁺⁰¹⁵ / ₊₀₀₀ | 7.000 ⁺⁰⁰⁰ / _{-.005} | 7.001 ⁺⁰⁰⁴ / ₊₀₀₀ | 8.000 ⁺⁰¹¹ / ₊₀₀₀ | 89.32 |
| DRU50-7.00-75 | 7 | 8 | 3/4 | .781 ⁺⁰¹⁵ / ₊₀₀₀ | 7.000 ⁺⁰⁰⁰ / _{-.005} | 7.001 ⁺⁰⁰⁴ / ₊₀₀₀ | 8.000 ⁺⁰¹¹ / ₊₀₀₀ | 90.20 |
| DRU50-9.00-62 | 9 | 10 | 5/8 | .656 ⁺⁰¹⁵ / ₊₀₀₀ | 9.000 ⁺⁰⁰⁰ / _{-.005} | 9.001 ⁺⁰⁰⁴ / ₊₀₀₀ | 10.000 ⁺⁰¹² / ₊₀₀₀ | 122.19 |
| DRU50-9.00-75 | 9 | 10 | 3/4 | .781 ⁺⁰¹⁵ / ₊₀₀₀ | 9.000 ⁺⁰⁰⁰ / _{-.005} | 9.001 ⁺⁰⁰⁴ / ₊₀₀₀ | 10.000 ⁺⁰¹² / ₊₀₀₀ | 115.97 |
| DRU50-10.00-62 | 10 | 11 | 5/8 | .656 ⁺⁰¹⁵ / ₊₀₀₀ | 10.000 ⁺⁰⁰⁰ / _{-.006} | 10.001 ⁺⁰⁰⁴ / ₊₀₀₀ | 11.000 ⁺⁰¹² / ₊₀₀₀ | 121.53 |
| DRU50-12.00-75 | 12 | 13 | 3/4 | .781 ⁺⁰¹⁵ / ₊₀₀₀ | 12.000 ⁺⁰⁰⁰ / _{-.006} | 12.001 ⁺⁰⁰⁴ / ₊₀₀₀ | 13.000 ⁺⁰¹² / ₊₀₀₀ | 169.07 |

ROD U-SEALS

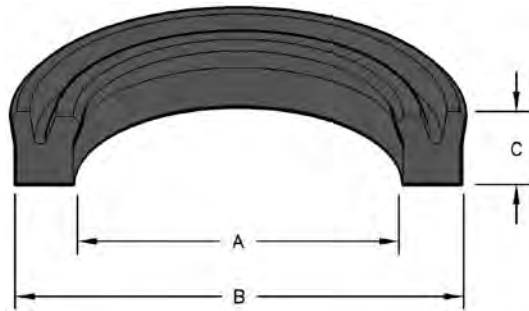
Seal color may vary. Special order sizes are available. Sizes not shown and out of stock items can also be ordered for next day delivery through Seals On Demand, our custom seal program. Please call your regional sales team for assistance.

**FORMERLY LISTED SEALS ARE AVAILABLE ONLINE AT WWW.HERCULESUS.COM
OR BY CONTACTING YOUR REGIONAL HERCULES SALES TEAM.**

NEW FOR 2015

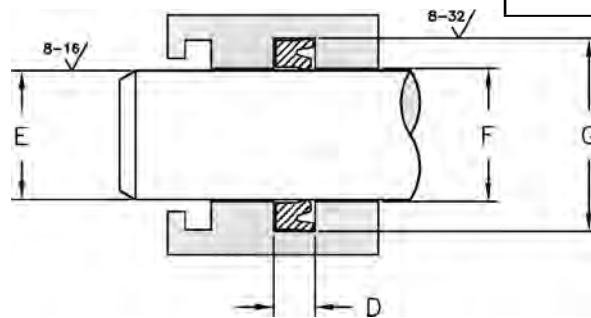
STYLE DRU-BHT HEAVY DUTY ROD U-SEALS

Style DRU-BHT rod seals are molded in Freudenberg® AU 30000 urethane. These seals are specifically designed to seal on their inside diameter and engineered to attain maximum life and reliability in dynamic rod sealing. This high tear-resistant urethane demonstrates stability throughout a wide range of temperatures. In addition, this material is well suited to mineral and biodegradable hydraulic fluids as well as being resistant to hydrolysis.


HERCULES PART NUMBERS

DRU 12 - 0.62 - 18 BHT

Type of Seal Cross Section Inside Diameter Height


SEAL INFORMATION

| | |
|-------------------|----------------|
| MATERIAL | 94A URETHANE |
| TEMPERATURE RANGE | -31°F TO 250°F |
| PRESSURE RANGE | 0 TO 7250 PSI |
| SPEED | 1.5 FT/SEC |

ROD U-SEALS

| Part Number | A Nom. ID | B Nom. OD | C Nom. Ht | D GROOVE WIDTH | E ROD DIAMETER | F THROAT DIAMETER | G HOUSING DIAMETER | List Price |
|-------------------|--------------|--------------|--------------|--|--|---|---|---------------|
| 1/8" C/S | | | | | | | | |
| DRU12-0.62-18-BHT | 5/8 | 7/8 | 3/16 | .218 ^{+0.015} / _{+0.000} | .625 ^{+0.000} / _{-.003} | .626 ^{+0.003} / _{+0.000} | .875 ^{+0.005} / _{+0.000} | \$10.18 |
| DRU12-0.75-12-BHT | 3/4 | 1 | 1/8 | .156 ^{+0.015} / _{+0.000} | .750 ^{+0.000} / _{-.003} | .751 ^{+0.003} / _{+0.000} | 1.000 ^{+0.005} / _{+0.000} | 10.18 |
| DRU12-0.75-25-BHT | 3/4 | 1 | 1/4 | .281 ^{+0.015} / _{+0.000} | .750 ^{+0.000} / _{-.003} | .751 ^{+0.003} / _{+0.000} | 1.000 ^{+0.005} / _{+0.000} | 10.18 |
| DRU12-0.87-12-BHT | 7/8 | 1-1/8 | 1/8 | .156 ^{+0.015} / _{+0.000} | .875 ^{+0.000} / _{-.003} | .876 ^{+0.003} / _{+0.000} | 1.125 ^{+0.005} / _{+0.000} | 10.73 |
| DRU12-1.00-12-BHT | 1 | 1-1/4 | 1/8 | .156 ^{+0.015} / _{+0.000} | 1.000 ^{+0.000} / _{-.003} | 1.001 ^{+0.003} / _{+0.000} | 1.250 ^{+0.005} / _{+0.000} | 10.73 |
| DRU12-1.00-18-BHT | 1 | 1-1/4 | 3/16 | .218 ^{+0.015} / _{+0.000} | 1.000 ^{+0.000} / _{-.003} | 1.001 ^{+0.003} / _{+0.000} | 1.250 ^{+0.005} / _{+0.000} | 10.73 |
| 3/16" C/S | | | | | | | | |
| DRU18-1.75-26-BHT | 1-3/4 | 2-1/8 | .265 | .281 ^{+0.015} / _{+0.000} | 1.750 ^{+0.000} / _{-.003} | 1.751 ^{+0.003} / _{+0.000} | 2.125 ^{+0.007} / _{+0.000} | \$15.91 |
| DRU18-1.87-31-BHT | 1-7/8 | 2-1/4 | 5/16 | .343 ^{+0.015} / _{+0.000} | 1.875 ^{+0.000} / _{-.003} | 1.876 ^{+0.003} / _{+0.000} | 2.250 ^{+0.008} / _{+0.000} | 17.39 |
| 1/4" C/S | | | | | | | | |
| DRU25-1.00-25-BHT | 1 | 1-1/2 | 1/4 | .281 ^{+0.015} / _{+0.000} | 1.000 ^{+0.000} / _{-.003} | 1.001 ^{+0.003} / _{+0.000} | 1.500 ^{+0.007} / _{+0.000} | \$12.58 |
| DRU25-1.25-25-BHT | 1-1/4 | 1-3/4 | 1/4 | .281 ^{+0.015} / _{+0.000} | 1.250 ^{+0.000} / _{-.003} | 1.251 ^{+0.003} / _{+0.000} | 1.750 ^{+0.007} / _{+0.000} | 13.05 |
| DRU25-1.87-37-BHT | 1-7/8 | 2-3/8 | 3/8 | .406 ^{+0.015} / _{+0.000} | 1.875 ^{+0.000} / _{-.003} | 1.876 ^{+0.003} / _{+0.000} | 2.375 ^{+0.008} / _{+0.000} | 17.39 |
| DRU25-2.00-31-BHT | 2 | 2-1/2 | 5/16 | .343 ^{+0.015} / _{+0.000} | 2.000 ^{+0.000} / _{-.003} | 2.001 ^{+0.004} / _{+0.000} | 2.500 ^{+0.008} / _{+0.000} | 18.32 |
| DRU25-2.12-37-BHT | 2-1/8 | 2-5/8 | 3/8 | .406 ^{+0.015} / _{+0.000} | 2.125 ^{+0.000} / _{-.003} | 2.126 ^{+0.004} / _{+0.000} | 2.625 ^{+0.008} / _{+0.000} | 19.25 |

NORTH AMERICA
PHONE 1-800-777-5617
FAX 1-800-759-6391

SALES OFFICE HOURS
8 A.M. TO 7:30 P.M. EASTERN TIME
www.HerculesUS.com

WORLDWIDE
PHONE 1-727-796-1300
FAX 1-727-797-8849



STYLE DRU-BHT HEAVY DUTY ROD U-SEALS

| Part Number | A Nom. ID | B Nom. OD | C Nom. Ht | D GROOVE WIDTH | E ROD DIAMETER | F THROAT DIAMETER | G HOUSING DIAMETER | List Price |
|-------------------|--------------|--------------|--------------|--|--|---|---|---------------|
| DRU25-2.50-32-BHT | 2-1/2 | 3 | .327 | .343 ⁺⁰¹⁵ / ₊₀₀₀ | 2.500 ⁺⁰⁰⁰ / _{-.003} | 2.501 ⁺⁰⁰⁴ / ₊₀₀₀ | 3.000 ⁺⁰⁰⁸ / ₊₀₀₀ | 20.36 |
| DRU25-2.62-37-BHT | 2-5/8 | 3-1/8 | 3/8 | .406 ⁺⁰¹⁵ / ₊₀₀₀ | 2.625 ⁺⁰⁰⁰ / _{-.003} | 2.626 ⁺⁰⁰⁴ / ₊₀₀₀ | 3.125 ⁺⁰⁰⁸ / ₊₀₀₀ | 21.72 |
| DRU25-3.00-37-BHT | 3 | 3-1/2 | 3/8 | .406 ⁺⁰¹⁵ / ₊₀₀₀ | 3.000 ⁺⁰⁰⁰ / _{-.004} | 3.001 ⁺⁰⁰⁴ / ₊₀₀₀ | 3.500 ⁺⁰⁰⁹ / ₊₀₀₀ | 24.24 |
| DRU25-3.50-37-BHT | 3-1/2 | 4 | 3/8 | .406 ⁺⁰¹⁵ / ₊₀₀₀ | 3.500 ⁺⁰⁰⁰ / _{-.004} | 3.501 ⁺⁰⁰⁴ / ₊₀₀₀ | 4.000 ⁺⁰⁰⁹ / ₊₀₀₀ | 28.67 |
| 5/16" C/S | | | | | | | | |
| DRU31-2.25-37-BHT | 2-1/4 | 2-7/8 | 3/8 | .406 ⁺⁰¹⁵ / ₊₀₀₀ | 2.250 ⁺⁰⁰⁰ / _{-.003} | 2.251 ⁺⁰⁰⁴ / ₊₀₀₀ | 2.875 ⁺⁰⁰⁸ / ₊₀₀₀ | \$20.36 |
| DRU31-4.00-37-BHT | 4 | 4-5/8 | 3/8 | .406 ⁺⁰¹⁵ / ₊₀₀₀ | 4.000 ⁺⁰⁰⁰ / _{-.004} | 4.001 ⁺⁰⁰⁴ / ₊₀₀₀ | 4.625 ⁺⁰⁰⁹ / ₊₀₀₀ | 42.32 |
| 3/8" C/S | | | | | | | | |
| DRU37-2.00-37-BHT | 2 | 2-3/4 | 3/8 | .406 ⁺⁰¹⁵ / ₊₀₀₀ | 2.000 ⁺⁰⁰⁰ / _{-.003} | 2.001 ⁺⁰⁰⁴ / ₊₀₀₀ | 2.750 ⁺⁰⁰⁸ / ₊₀₀₀ | \$19.25 |
| DRU37-3.00-37-BHT | 3 | 3-3/4 | 3/8 | .406 ⁺⁰¹⁵ / ₊₀₀₀ | 3.000 ⁺⁰⁰⁰ / _{-.004} | 3.001 ⁺⁰⁰⁴ / ₊₀₀₀ | 3.750 ⁺⁰⁰⁹ / ₊₀₀₀ | 26.14 |

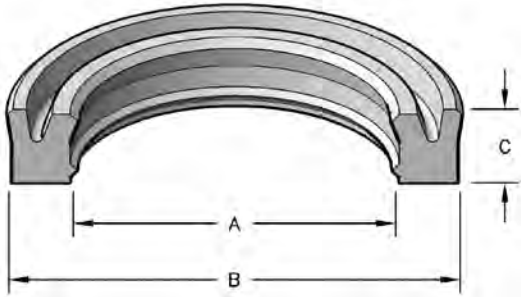
ROD U-SEALS



STYLE DRTU HEAVY DUTY ROD U-SEALS

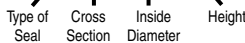
These seals are specifically designed with a second lip on their inside diameter and engineered to attain maximum life and reliability in dynamic rod sealing. This feature results in reduced leakage, less friction, increased stability, and prevents air and contaminants from entering the cylinder.

ROD U-SEALS

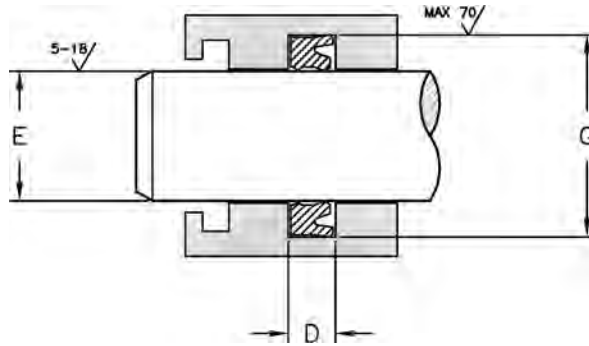


HERCULES PART NUMBERS

DRTU 12 - 0.62 - 18



| SEAL INFORMATION | |
|-------------------|-----------------|
| MATERIAL | 92A URETHANE |
| TEMPERATURE RANGE | -65° TO +230° F |
| PRESSURE RANGE | 0 TO 6,000 PSI |
| SPEED | 3 FT/SEC |



| MAXIMUM EXTRUSION GAP | | | | |
|-----------------------|----------|----------|----------|----------|
| PRESSURE | 1000 PSI | 3000 PSI | 5000 PSI | 6000 PSI |
| MAX DIAM. GAP | 0.032" | 0.015" | 0.012" | 0.009" |

| Part Number | A Nom. ID | B Nom. OD | C Nom. Ht | D GROOVE WIDTH | E ROD DIAMETER | G HOUSING DIAMETER | List Price |
|------------------|-----------|-----------|-----------|--|--|---|------------|
| 1/8" C/S | | | | | | | |
| DRTU12-0.62-18 | 5/8 | 7/8 | 3/16 | .218 ^{+0.015} / _{+0.000} | .625 ^{+0.000} / _{-.002} | .875 ^{+0.005} / _{+0.000} | \$4.86 |
| DRTU12-0.75-25 | 3/4 | 1 | 1/4 | .281 ^{+0.015} / _{+0.000} | .750 ^{+0.000} / _{-.003} | 1.000 ^{+0.005} / _{+0.000} | 9.03 |
| DRTU12-1.00-25 | 1 | 1-1/4 | 1/4 | .281 ^{+0.015} / _{+0.000} | 1.000 ^{+0.000} / _{-.003} | 1.250 ^{+0.005} / _{+0.000} | 7.98 |
| 3/16" C/S | | | | | | | |
| DRTU18-0.75-25 | 3/4 | 1-1/8 | 1/4 | .281 ^{+0.015} / _{+0.000} | .750 ^{+0.000} / _{-.003} | 1.125 ^{+0.005} / _{+0.000} | \$8.90 |
| DRTU18-0.75-31 | 3/4 | 1-1/8 | 5/16 | .343 ^{+0.015} / _{+0.000} | .750 ^{+0.000} / _{-.003} | 1.125 ^{+0.005} / _{+0.000} | 8.08 |
| DRTU18-1.00-31 | 1 | 1-3/8 | 5/16 | .343 ^{+0.015} / _{+0.000} | 1.000 ^{+0.000} / _{-.003} | 1.375 ^{+0.005} / _{+0.000} | 8.01 |
| DRTU18-1.12-25 | 1-1/8 | 1-1/2 | 1/4 | .281 ^{+0.015} / _{+0.000} | 1.125 ^{+0.000} / _{-.003} | 1.500 ^{+0.007} / _{+0.000} | 10.18 |
| DRTU18-1.12-31 | 1-1/8 | 1-1/2 | 5/16 | .343 ^{+0.015} / _{+0.000} | 1.125 ^{+0.000} / _{-.003} | 1.500 ^{+0.007} / _{+0.000} | 8.35 |
| DRTU18-1.25-31 | 1-1/4 | 1-5/8 | 5/16 | .343 ^{+0.015} / _{+0.000} | 1.250 ^{+0.000} / _{-.003} | 1.625 ^{+0.007} / _{+0.000} | 11.54 |

NORTH AMERICA
 PHONE 1-800-777-5617
 FAX 1-800-759-6391

SALES OFFICE HOURS
 8 A.M. TO 7:30 P.M. EASTERN TIME
 www.HerculesUS.com

WORLDWIDE
 PHONE 1-727-796-1300
 FAX 1-727-797-8849



STYLE DRTU HEAVY DUTY ROD U-SEALS

ROD U-SEALS

| Part Number | A Nom. ID | B Nom. OD | C Nom. Ht | D GROOVE WIDTH | E ROD DIAMETER | G HOUSING DIAMETER | List Price |
|-------------------|-----------|-----------|-----------|--|--|--|------------|
| DRTU18-1.25-37 | 1-1/4 | 1-5/8 | 3/8 | .406 ^{+0.015} / _{+0.000} | 1.250 ^{+0.000} / _{-.003} | 1.625 ^{+0.007} / _{+0.000} | 9.39 |
| DRTU18-1.37-31 | 1-3/8 | 1-3/4 | 5/16 | .343 ^{+0.015} / _{+0.000} | 1.375 ^{+0.000} / _{-.003} | 1.750 ^{+0.007} / _{+0.000} | 10.80 |
| DRTU18-1.50-25 | 1-1/2 | 1-7/8 | 1/4 | .281 ^{+0.015} / _{+0.000} | 1.500 ^{+0.000} / _{-.003} | 1.875 ^{+0.007} / _{+0.000} | 10.80 |
| DRTU18-1.50-31 | 1-1/2 | 1-7/8 | 5/16 | .343 ^{+0.015} / _{+0.000} | 1.500 ^{+0.000} / _{-.003} | 1.875 ^{+0.007} / _{+0.000} | 10.80 |
| DRTU18-1.50-37 | 1-1/2 | 1-7/8 | 3/8 | .406 ^{+0.015} / _{+0.000} | 1.500 ^{+0.000} / _{-.003} | 1.875 ^{+0.007} / _{+0.000} | 10.80 |
| DRTU18-1.62-37 | 1-5/8 | 2 | 3/8 | .406 ^{+0.015} / _{+0.000} | 1.625 ^{+0.000} / _{-.003} | 2.000 ^{+0.008} / _{+0.000} | 12.14 |
| DRTU18-1.75-25 | 1-3/4 | 2-1/8 | 1/4 | .281 ^{+0.015} / _{+0.000} | 1.750 ^{+0.000} / _{-.003} | 2.125 ^{+0.008} / _{+0.000} | 8.1411 |
| DRTU18-1.75-31 | 1-3/4 | 2-1/8 | 5/16 | .343 ^{+0.015} / _{+0.000} | 1.750 ^{+0.000} / _{-.003} | 2.125 ^{+0.008} / _{+0.000} | 12.35 |
| DRTU18-1.75-37 | 1-3/4 | 2-1/8 | 3/8 | .406 ^{+0.015} / _{+0.000} | 1.750 ^{+0.000} / _{-.003} | 2.125 ^{+0.008} / _{+0.000} | 12.35 |
| DRTU18-1.87-37 | 1-7/8 | 2-1/4 | 3/8 | .406 ^{+0.015} / _{+0.000} | 1.875 ^{+0.000} / _{-.003} | 2.250 ^{+0.008} / _{+0.000} | 14.28 |
| DRTU18-2.00-25 | 2 | 2-3/8 | 1/4 | .281 ^{+0.015} / _{+0.000} | 2.000 ^{+0.000} / _{-.003} | 2.375 ^{+0.008} / _{+0.000} | 14.029 |
| DRTU18-2.00-31 | 2 | 2-3/8 | 5/16 | .343 ^{+0.015} / _{+0.000} | 2.000 ^{+0.000} / _{-.003} | 2.375 ^{+0.008} / _{+0.000} | 14.65 |
| DRTU18-2.00-37 | 2 | 2-3/8 | 3/8 | .406 ^{+0.015} / _{+0.000} | 2.000 ^{+0.000} / _{-.003} | 2.375 ^{+0.008} / _{+0.000} | 14.65 |
| DRTU18-2.25-37 | 2-1/4 | 2-5/8 | 3/8 | .406 ^{+0.015} / _{+0.000} | 2.250 ^{+0.000} / _{-.003} | 2.625 ^{+0.008} / _{+0.000} | 15.58 |
| DRTU18-2.50-37 | 2-1/2 | 2-7/8 | 3/8 | .406 ^{+0.015} / _{+0.000} | 2.500 ^{+0.000} / _{-.003} | 2.875 ^{+0.008} / _{+0.000} | 18.70 |
| .2185" C/S | | | | | | | |
| DRTU21-2.50-37 | 2-1/2 | 2.937 | 3/8 | .406 ^{+0.015} / _{+0.000} | 2.500 ^{+0.000} / _{-.003} | 2.937 ^{+0.008} / _{+0.000} | \$15.9019 |
| 7/32" C/S | | | | | | | |
| DRTU21-2.50-28 | 2-1/2 | 2.937 | 9/32 | .312 ^{+0.015} / _{+0.000} | 2.500 ^{+0.000} / _{-.003} | 2.937 ^{+0.008} / _{+0.000} | \$15.59 |
| DRTU21-3.00-28 | 3 | 3-7/16 | 9/32 | .312 ^{+0.015} / _{+0.000} | 3.000 ^{+0.000} / _{-.004} | 3.4375 ^{+0.009} / _{+0.000} | 19.2356 |
| 1/4" C/S | | | | | | | |
| DRTU25-1.00-37 | 1 | 1-1/2 | 3/8 | .406 ^{+0.015} / _{+0.000} | 1.000 ^{+0.000} / _{-.003} | 1.500 ^{+0.007} / _{+0.000} | \$8.11 |
| DRTU25-1.25-37 | 1-1/4 | 1-3/4 | 3/8 | .406 ^{+0.015} / _{+0.000} | 1.250 ^{+0.000} / _{-.003} | 1.750 ^{+0.007} / _{+0.000} | 10.01 |
| DRTU25-1.37-37 | 1-3/8 | 1-7/8 | 3/8 | .406 ^{+0.015} / _{+0.000} | 1.375 ^{+0.000} / _{-.003} | 1.875 ^{+0.007} / _{+0.000} | 10.83 |
| DRTU25-1.50-37 | 1-1/2 | 2 | 3/8 | .406 ^{+0.015} / _{+0.000} | 1.500 ^{+0.000} / _{-.003} | 2.000 ^{+0.008} / _{+0.000} | 11.91 |
| DRTU25-1.75-31 | 1-3/4 | 2-1/4 | 5/16 | .343 ^{+0.015} / _{+0.000} | 1.750 ^{+0.000} / _{-.003} | 2.250 ^{+0.008} / _{+0.000} | 13.40 |
| DRTU25-1.75-37 | 1-3/4 | 2-1/4 | 3/8 | .406 ^{+0.015} / _{+0.000} | 1.750 ^{+0.000} / _{-.003} | 2.250 ^{+0.008} / _{+0.000} | 13.40 |
| DRTU25-2.00-37 | 2 | 2-1/2 | 3/8 | .406 ^{+0.015} / _{+0.000} | 2.000 ^{+0.000} / _{-.003} | 2.500 ^{+0.008} / _{+0.000} | 15.38 |
| DRTU25-2.25-37 | 2-1/4 | 2-3/4 | 3/8 | .406 ^{+0.015} / _{+0.000} | 2.250 ^{+0.000} / _{-.003} | 2.750 ^{+0.008} / _{+0.000} | 16.36 |
| DRTU25-2.37-37 | 2-3/8 | 2-7/8 | 3/8 | .406 ^{+0.015} / _{+0.000} | 2.375 ^{+0.000} / _{-.003} | 2.875 ^{+0.008} / _{+0.000} | 15.58 |
| DRTU25-2.50-37 | 2-1/2 | 3 | 3/8 | .406 ^{+0.015} / _{+0.000} | 2.500 ^{+0.000} / _{-.003} | 3.000 ^{+0.008} / _{+0.000} | 15.94 |
| DRTU25-2.75-37 | 2-3/4 | 3-1/4 | 3/8 | .406 ^{+0.015} / _{+0.000} | 2.750 ^{+0.000} / _{-.003} | 3.250 ^{+0.009} / _{+0.000} | 16.28 |
| DRTU25-3.00-37 | 3 | 3-1/2 | 3/8 | .406 ^{+0.015} / _{+0.000} | 3.000 ^{+0.000} / _{-.004} | 3.500 ^{+0.009} / _{+0.000} | 16.80 |
| DRTU25-3.25-31 | 3-1/4 | 3-3/4 | 5/16 | .343 ^{+0.015} / _{+0.000} | 3.250 ^{+0.000} / _{-.004} | 3.750 ^{+0.009} / _{+0.000} | 17.71 |

FORMERLY LISTED SEALS ARE AVAILABLE ONLINE AT WWW.HERCULESUS.COM
OR BY CONTACTING YOUR REGIONAL HERCULES SALES TEAM.



STYLE DRTU HEAVY DUTY ROD U-SEALS

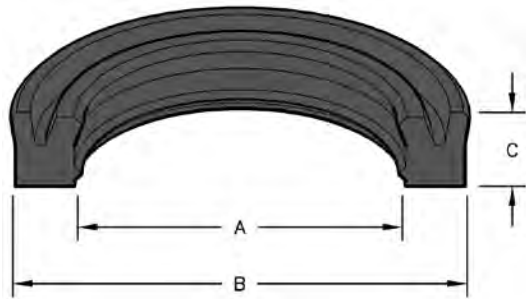
ROD U-SEALS

| Part Number | A Nom. ID | B Nom. OD | C Nom. Ht | D GROOVE WIDTH | E ROD DIAMETER | G HOUSING DIAMETER | List Price |
|------------------|--------------|--------------|--------------|--|--|---|---------------|
| DRTU25-3.25-37 | 3-1/4 | 3-3/4 | 3/8 | .406 ^{+0.015} / _{+0.000} | 3.250 ^{+0.000} / _{-.004} | 3.750 ^{+0.009} / _{+0.000} | 17.71 |
| DRTU25-3.50-31 | 3-1/2 | 4 | 5/16 | .343 ^{+0.015} / _{+0.000} | 3.500 ^{+0.000} / _{-.004} | 4.000 ^{+0.009} / _{+0.000} | 22.7561 |
| DRTU25-3.50-37 | 3-1/2 | 4 | 3/8 | .406 ^{+0.015} / _{+0.000} | 3.500 ^{+0.000} / _{-.004} | 4.000 ^{+0.009} / _{+0.000} | 18.51 |
| DRTU25-3.75-37 | 3-3/4 | 4-1/4 | 3/8 | .406 ^{+0.015} / _{+0.000} | 3.750 ^{+0.000} / _{-.004} | 4.250 ^{+0.009} / _{+0.000} | 21.72 |
| DRTU25-4.00-31 | 4 | 4-1/2 | 5/16 | .343 ^{+0.015} / _{+0.000} | 4.000 ^{+0.000} / _{-.004} | 4.500 ^{+0.009} / _{+0.000} | 28.4128 |
| DRTU25-4.00-37 | 4 | 4-1/2 | 3/8 | .406 ^{+0.015} / _{+0.000} | 4.000 ^{+0.000} / _{-.004} | 4.500 ^{+0.009} / _{+0.000} | 23.76 |
| DRTU25-4.50-31 | 4-1/2 | 5 | 5/16 | .343 ^{+0.015} / _{+0.000} | 4.500 ^{+0.000} / _{-.004} | 5.000 ^{+0.010} / _{+0.000} | 32.3106 |
| DRTU25-4.50-56 | 4-1/2 | 5 | 9/16 | .593 ^{+0.015} / _{+0.000} | 4.500 ^{+0.000} / _{-.004} | 5.000 ^{+0.010} / _{+0.000} | 28.10 |
| DRTU25-4.75-56 | 4-3/4 | 5-1/4 | 9/16 | .593 ^{+0.015} / _{+0.000} | 4.750 ^{+0.000} / _{-.004} | 5.250 ^{+0.010} / _{+0.000} | 35.25 |
| DRTU25-5.50-56 | 5-1/2 | 6 | 9/16 | .593 ^{+0.015} / _{+0.000} | 5.500 ^{+0.000} / _{-.004} | 6.000 ^{+0.010} / _{+0.000} | 44.72 |
| 5/16" C/S | | | | | | | |
| DRTU31-1.75-37 | 1-3/4 | 2-3/8 | 3/8 | .406 ^{+0.015} / _{+0.000} | 1.750 ^{+0.000} / _{-.003} | 2.375 ^{+0.008} / _{+0.000} | \$13.42 |
| DRTU31-1.75-50 | 1-3/4 | 2-3/8 | 1/2 | .531 ^{+0.015} / _{+0.000} | 1.750 ^{+0.000} / _{-.003} | 2.375 ^{+0.008} / _{+0.000} | 13.42 |
| DRTU31-2.00-50 | 2 | 2-5/8 | 1/2 | .531 ^{+0.015} / _{+0.000} | 2.000 ^{+0.000} / _{-.003} | 2.625 ^{+0.008} / _{+0.000} | 14.91 |
| DRTU31-2.50-50 | 2-1/2 | 3-1/8 | 1/2 | .531 ^{+0.015} / _{+0.000} | 2.500 ^{+0.000} / _{-.003} | 3.125 ^{+0.008} / _{+0.000} | 17.83 |
| DRTU31-2.75-50 | 2-3/4 | 3-3/8 | 1/2 | .531 ^{+0.015} / _{+0.000} | 2.750 ^{+0.000} / _{-.003} | 3.375 ^{+0.009} / _{+0.000} | 18.86 |
| DRTU31-3.00-50 | 3 | 3-5/8 | 1/2 | .531 ^{+0.015} / _{+0.000} | 3.000 ^{+0.000} / _{-.004} | 3.625 ^{+0.009} / _{+0.000} | 20.44 |
| DRTU31-4.00-37 | 4 | 4-5/8 | 3/8 | .406 ^{+0.015} / _{+0.000} | 4.000 ^{+0.000} / _{-.004} | 4.625 ^{+0.009} / _{+0.000} | 28.44 |
| DRTU31-5.50-37 | 5-1/2 | 6-1/8 | 3/8 | .406 ^{+0.015} / _{+0.000} | 5.500 ^{+0.000} / _{-.004} | 6.125 ^{+0.015} / _{+0.000} | 48.41 |
| DRTU31-7.00-37 | 7 | 7-5/8 | 3/8 | .406 ^{+0.015} / _{+0.000} | 7.000 ^{+0.000} / _{-.005} | 7.625 ^{+0.011} / _{+0.000} | 74.05 |
| 3/8" C/S | | | | | | | |
| DRTU37-2.75-62 | 2-3/4 | 3-1/2 | 5/8 | .656 ^{+0.015} / _{+0.000} | 2.750 ^{+0.000} / _{-.003} | 3.500 ^{+0.009} / _{+0.000} | \$20.72 |
| DRTU37-3.00-50 | 3 | 3-3/4 | 1/2 | .531 ^{+0.015} / _{+0.000} | 3.000 ^{+0.000} / _{-.004} | 3.750 ^{+0.009} / _{+0.000} | 19.93 |
| DRTU37-3.50-62 | 3-1/2 | 4-1/4 | 5/8 | .656 ^{+0.015} / _{+0.000} | 3.500 ^{+0.000} / _{-.004} | 4.250 ^{+0.009} / _{+0.000} | 24.86 |
| DRTU37-4.00-62 | 4 | 4-3/4 | 5/8 | .656 ^{+0.015} / _{+0.000} | 4.000 ^{+0.000} / _{-.004} | 4.750 ^{+0.009} / _{+0.000} | 28.44 |
| DRTU37-4.50-62 | 4-1/2 | 5-1/4 | 5/8 | .656 ^{+0.015} / _{+0.000} | 4.500 ^{+0.000} / _{-.004} | 5.250 ^{+0.010} / _{+0.000} | 35.57 |
| DRTU37-4.75-62 | 4-3/4 | 5-1/2 | 5/8 | .656 ^{+0.015} / _{+0.000} | 4.750 ^{+0.000} / _{-.004} | 5.500 ^{+0.010} / _{+0.000} | 37.95 |
| DRTU37-5.00-62 | 5 | 5-3/4 | 5/8 | .656 ^{+0.015} / _{+0.000} | 5.000 ^{+0.000} / _{-.004} | 5.750 ^{+0.010} / _{+0.000} | 58.08 |

NEW FOR 2015

STYLE DRTU-BHT HEAVY DUTY ROD U-SEALS

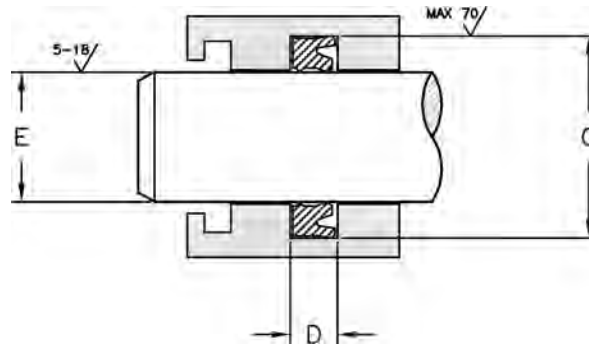
Style DRTU-BHT rod seals are molded in Freudenberg® AU 30000 urethane. These seals are specifically designed with a second lip on their inside diameter and engineered to attain maximum life and reliability in dynamic rod sealing. This feature results in reduced leakage, less friction, increased stability, and prevents air and contaminants from entering the cylinder. This high tear-resistant urethane demonstrates stability throughout a wide range of temperatures. In addition, this material is well suited to mineral and biodegradable hydraulic fluids as well as being resistant to hydrolysis.



HERCULES PART NUMBERS
DRTU 12 - 0.75 - 25 BHT

Type of Seal: DRTU
Cross Section: 12
Inside Diameter: 0.75
Height: 25 BHT

| SEAL INFORMATION | |
|-------------------|----------------|
| MATERIAL | 94A URETHANE |
| TEMPERATURE RANGE | -31°F TO 250°F |
| PRESSURE RANGE | 0 TO 7250 PSI |
| SPEED | 1.5 FT/SEC |



| MAXIMUM EXTRUSION GAP | | | | |
|-----------------------|----------|----------|----------|----------|
| PRESSURE | 1000 PSI | 3000 PSI | 5000 PSI | 6000 PSI |
| MAX DIAM. GAP | 0.032" | 0.015" | 0.012" | 0.009" |

ROD U-SEALS

| Part Number | A Nom. ID | B Nom. OD | C Nom. Ht | D GROOVE WIDTH | E ROD DIAMETER | G HOUSING DIAMETER | List Price |
|--------------------|-----------|-----------|-----------|------------------------|------------------------|-------------------------|------------|
| 1/8" C/S | | | | | | | |
| DRTU12-0.75-25-BHT | 3/4 | 1 | 1/4 | .281 +.015 +.000 | .750 +.000 -.003 | 1.000 +.005 +.000 | \$10.56 |

FORMERLY LISTED SEALS ARE AVAILABLE ONLINE AT WWW.HERCULESUS.COM
OR BY CONTACTING YOUR REGIONAL HERCULES SALES TEAM.



STYLE DRTU-BHT HEAVY DUTY ROD U-SEALS

ROD U-SEALS

| Part Number | A Nom. ID | B Nom. OD | C Nom. Ht | D GROOVE WIDTH | E ROD DIAMETER | G HOUSING DIAMETER | List Price |
|--------------------|--------------|--------------|--------------|--|--|---|---------------|
| DRTU12-1.00-25-BHT | 1 | 1-1/4 | 1/4 | .281 ⁺⁰¹⁵ / ₊₀₀₀ | 1.000 ⁺⁰⁰⁰ / _{-.003} | 1.250 ⁺⁰⁰⁵ / ₊₀₀₀ | 11.13 |
| 3/16" C/S | | | | | | | |
| DRTU18-1.00-31-BHT | 1 | 1-3/8 | 5/16 | .343 ⁺⁰¹⁵ / ₊₀₀₀ | 1.000 ⁺⁰⁰⁰ / _{-.003} | 1.375 ⁺⁰⁰⁵ / ₊₀₀₀ | \$12.47 |
| DRTU18-1.12-25-BHT | 1-1/8 | 1-1/2 | 1/4 | .281 ⁺⁰¹⁵ / ₊₀₀₀ | 1.125 ⁺⁰⁰⁰ / _{-.003} | 1.500 ⁺⁰⁰⁷ / ₊₀₀₀ | 13.05 |
| DRTU18-1.12-31-BHT | 1-1/8 | 1-1/2 | 5/16 | .343 ⁺⁰¹⁵ / ₊₀₀₀ | 1.125 ⁺⁰⁰⁰ / _{-.003} | 1.500 ⁺⁰⁰⁷ / ₊₀₀₀ | 13.05 |
| DRTU18-1.25-31-BHT | 1-1/4 | 1-5/8 | 5/16 | .343 ⁺⁰¹⁵ / ₊₀₀₀ | 1.250 ⁺⁰⁰⁰ / _{-.003} | 1.625 ⁺⁰⁰⁷ / ₊₀₀₀ | 13.53 |
| DRTU18-1.37-31-BHT | 1-3/8 | 1-3/4 | 5/16 | .343 ⁺⁰¹⁵ / ₊₀₀₀ | 1.375 ⁺⁰⁰⁰ / _{-.003} | 1.750 ⁺⁰⁰⁷ / ₊₀₀₀ | 13.53 |
| DRTU18-1.50-25-BHT | 1-1/2 | 1-7/8 | 1/4 | .281 ⁺⁰¹⁵ / ₊₀₀₀ | 1.500 ⁺⁰⁰⁰ / _{-.003} | 1.875 ⁺⁰⁰⁷ / ₊₀₀₀ | 14.20 |
| DRTU18-1.50-31-BHT | 1-1/2 | 1-7/8 | 5/16 | .343 ⁺⁰¹⁵ / ₊₀₀₀ | 1.500 ⁺⁰⁰⁰ / _{-.003} | 1.875 ⁺⁰⁰⁷ / ₊₀₀₀ | 14.20 |
| DRTU18-1.50-37-BHT | 1-1/2 | 1-7/8 | 3/8 | .406 ⁺⁰¹⁵ / ₊₀₀₀ | 1.500 ⁺⁰⁰⁰ / _{-.003} | 1.875 ⁺⁰⁰⁷ / ₊₀₀₀ | 14.20 |
| DRTU18-1.62-37-BHT | 1-5/8 | 2 | 3/8 | .406 ⁺⁰¹⁵ / ₊₀₀₀ | 1.625 ⁺⁰⁰⁰ / _{-.003} | 2.000 ⁺⁰⁰⁸ / ₊₀₀₀ | 14.20 |
| DRTU18-1.75-25-BHT | 1-3/4 | 2-1/8 | 1/4 | .281 ⁺⁰¹⁵ / ₊₀₀₀ | 1.750 ⁺⁰⁰⁰ / _{-.003} | 2.125 ⁺⁰⁰⁸ / ₊₀₀₀ | 18.04 |
| DRTU18-1.75-31-BHT | 1-3/4 | 2-1/8 | 5/16 | .343 ⁺⁰¹⁵ / ₊₀₀₀ | 1.750 ⁺⁰⁰⁰ / _{-.003} | 2.125 ⁺⁰⁰⁸ / ₊₀₀₀ | 16.50 |
| DRTU18-1.75-37-BHT | 1-3/4 | 2-1/8 | 3/8 | .406 ⁺⁰¹⁵ / ₊₀₀₀ | 1.750 ⁺⁰⁰⁰ / _{-.003} | 2.125 ⁺⁰⁰⁸ / ₊₀₀₀ | 16.50 |
| DRTU18-2.00-31-BHT | 2 | 2-3/8 | 5/16 | .343 ⁺⁰¹⁵ / ₊₀₀₀ | 2.000 ⁺⁰⁰⁰ / _{-.003} | 2.375 ⁺⁰⁰⁸ / ₊₀₀₀ | 18.04 |
| DRTU18-2.00-37-BHT | 2 | 2-3/8 | 3/8 | .406 ⁺⁰¹⁵ / ₊₀₀₀ | 2.000 ⁺⁰⁰⁰ / _{-.003} | 2.375 ⁺⁰⁰⁸ / ₊₀₀₀ | 18.04 |
| DRTU18-2.25-37-BHT | 2-1/4 | 2-5/8 | 3/8 | .406 ⁺⁰¹⁵ / ₊₀₀₀ | 2.250 ⁺⁰⁰⁰ / _{-.003} | 2.625 ⁺⁰⁰⁸ / ₊₀₀₀ | 19.96 |
| DRTU18-2.50-37-BHT | 2-1/2 | 2-7/8 | 3/8 | .406 ⁺⁰¹⁵ / ₊₀₀₀ | 2.500 ⁺⁰⁰⁰ / _{-.003} | 2.875 ⁺⁰⁰⁸ / ₊₀₀₀ | 21.11 |
| 1/4" C/S | | | | | | | |
| DRTU25-1.25-37-BHT | 1-1/4 | 1-3/4 | 3/8 | .406 ⁺⁰¹⁵ / ₊₀₀₀ | 1.250 ⁺⁰⁰⁰ / _{-.003} | 1.750 ⁺⁰⁰⁷ / ₊₀₀₀ | \$13.53 |
| DRTU25-1.50-37-BHT | 1-1/2 | 2 | .37 | .406 ⁺⁰¹⁵ / ₊₀₀₀ | 1.500 ⁺⁰⁰⁰ / _{-.003} | 2.000 ⁺⁰⁰⁸ / ₊₀₀₀ | 14.20 |
| DRTU25-1.75-37-BHT | 1-3/4 | 2-1/4 | 3/8 | .406 ⁺⁰¹⁵ / ₊₀₀₀ | 1.750 ⁺⁰⁰⁰ / _{-.003} | 2.250 ⁺⁰⁰⁸ / ₊₀₀₀ | 18.04 |
| DRTU25-2.00-37-BHT | 2 | 2-1/2 | 3/8 | .406 ⁺⁰¹⁵ / ₊₀₀₀ | 2.000 ⁺⁰⁰⁰ / _{-.003} | 2.500 ⁺⁰⁰⁸ / ₊₀₀₀ | 19.00 |
| DRTU25-2.25-37-BHT | 2-1/4 | 2-3/4 | 3/8 | .406 ⁺⁰¹⁵ / ₊₀₀₀ | 2.250 ⁺⁰⁰⁰ / _{-.003} | 2.750 ⁺⁰⁰⁸ / ₊₀₀₀ | 19.96 |
| DRTU25-2.37-37-BHT | 2-3/8 | 2-7/8 | 3/8 | .406 ⁺⁰¹⁵ / ₊₀₀₀ | 2.375 ⁺⁰⁰⁰ / _{-.003} | 2.875 ⁺⁰⁰⁸ / ₊₀₀₀ | 21.11 |
| DRTU25-2.50-37-BHT | 2-1/2 | 3 | 3/8 | .406 ⁺⁰¹⁵ / ₊₀₀₀ | 2.500 ⁺⁰⁰⁰ / _{-.003} | 3.000 ⁺⁰⁰⁸ / ₊₀₀₀ | 21.11 |
| DRTU25-2.75-37-BHT | 2-3/4 | 3-1/4 | 3/8 | .406 ⁺⁰¹⁵ / ₊₀₀₀ | 2.750 ⁺⁰⁰⁰ / _{-.003} | 3.250 ⁺⁰⁰⁹ / ₊₀₀₀ | 25.34 |
| DRTU25-3.00-37-BHT | 3 | 3-1/2 | 3/8 | .406 ⁺⁰¹⁵ / ₊₀₀₀ | 3.000 ⁺⁰⁰⁰ / _{-.004} | 3.500 ⁺⁰⁰⁹ / ₊₀₀₀ | 26.93 |
| DRTU25-3.25-37-BHT | 3-1/4 | 3-3/4 | 3/8 | .406 ⁺⁰¹⁵ / ₊₀₀₀ | 3.250 ⁺⁰⁰⁰ / _{-.004} | 3.750 ⁺⁰⁰⁹ / ₊₀₀₀ | 29.04 |
| DRTU25-3.50-37-BHT | 3-1/2 | 4 | 3/8 | .406 ⁺⁰¹⁵ / ₊₀₀₀ | 3.500 ⁺⁰⁰⁰ / _{-.004} | 4.000 ⁺⁰⁰⁹ / ₊₀₀₀ | 31.86 |
| DRTU25-4.00-37-BHT | 4 | 4-1/2 | 3/8 | .406 ⁺⁰¹⁵ / ₊₀₀₀ | 4.000 ⁺⁰⁰⁰ / _{-.004} | 4.500 ⁺⁰⁰⁹ / ₊₀₀₀ | 39.78 |
| 5/16" C/S | | | | | | | |
| DRTU31-1.75-37-BHT | 1-3/4 | 2-3/8 | 3/8 | .406 ⁺⁰¹⁵ / ₊₀₀₀ | 1.750 ⁺⁰⁰⁰ / _{-.003} | 2.375 ⁺⁰⁰⁸ / ₊₀₀₀ | \$18.04 |
| DRTU31-2.50-50-BHT | 2-1/2 | 3-1/8 | 1/2 | .531 ⁺⁰¹⁵ / ₊₀₀₀ | 2.500 ⁺⁰⁰⁰ / _{-.003} | 3.125 ⁺⁰⁰⁸ / ₊₀₀₀ | 22.53 |

NORTH AMERICA
PHONE 1-800-777-5617
FAX 1-800-759-6391

SALES OFFICE HOURS
8 A.M. TO 7:30 P.M. EASTERN TIME
www.HerculesUS.com

WORLDWIDE
PHONE 1-727-796-1300
FAX 1-727-797-8849



STYLE DRTU-BHT HEAVY DUTY ROD U-SEALS

| Part Number | A Nom. ID | B Nom. OD | C Nom. Ht | D GROOVE WIDTH | E ROD DIAMETER | G HOUSING DIAMETER | List Price |
|--------------------|--------------|--------------|--------------|--|--|---|---------------|
| DRTU31-2.75-50-BHT | 2-3/4 | 3-3/8 | 1/2 | .531 ⁺⁰¹⁵ / ₊₀₀₀ | 2.750 ⁺⁰⁰⁰ / _{-.003} | 3.375 ⁺⁰⁰⁹ / ₊₀₀₀ | 25.34 |
| DRTU31-3.00-50-BHT | 3 | 3-5/8 | 1/2 | .531 ⁺⁰¹⁵ / ₊₀₀₀ | 3.000 ⁺⁰⁰⁰ / _{-.004} | 3.625 ⁺⁰⁰⁹ / ₊₀₀₀ | 29.04 |
| 3/8" C/S | | | | | | | |
| DRTU37-3.00-50-BHT | 3 | 3-3/4 | 1/2 | .531 ⁺⁰¹⁵ / ₊₀₀₀ | 3.000 ⁺⁰⁰⁰ / _{-.004} | 3.750 ⁺⁰⁰⁹ / ₊₀₀₀ | \$29.04 |
| DRTU37-3.50-62-BHT | 3-1/2 | 4-1/4 | 5/8 | .656 ⁺⁰¹⁵ / ₊₀₀₀ | 3.500 ⁺⁰⁰⁰ / _{-.004} | 4.250 ⁺⁰⁰⁹ / ₊₀₀₀ | 37.49 |

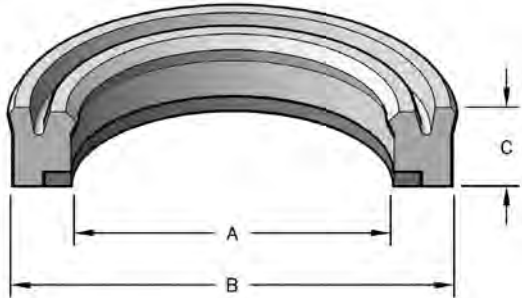
ROD U-SEALS



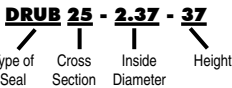
STYLE DRUB HEAVY DUTY ROD U-SEALS

These seals are specifically designed to seal on their inside diameter and engineered to attain maximum life and reliability in dynamic rod sealing. They employ a hard plastic ID back-up ring to reduce the possibility of extrusion.

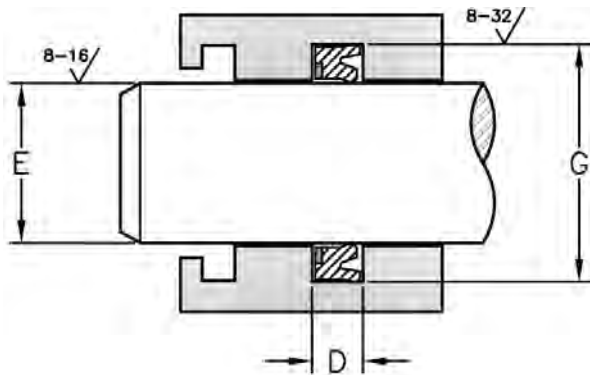
ROD U-SEALS



HERCULES PART NUMBERS



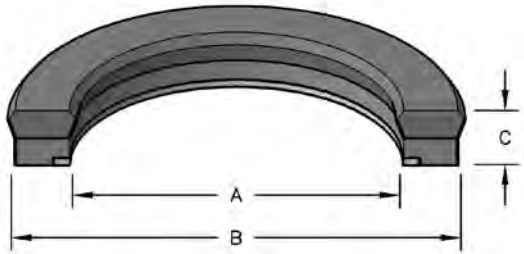
| SEAL INFORMATION | |
|-------------------|-----------------|
| MATERIAL | 92A URETHANE |
| TEMPERATURE RANGE | -40° TO +230° F |
| PRESSURE RANGE | 0 TO 6,000 PSI |
| SPEED | 3 FT/SEC |



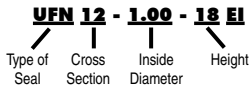
| Part Number | A Nom. ID | B Nom. OD | C Nom. Ht | D GROOVE WIDTH | E ROD DIAMETER | G HOUSING DIAMETER | List Price |
|-----------------|--------------|--------------|--------------|--|---|---|---------------|
| 1/4" C/S | | | | | | | |
| DRUB25-2.37-37 | 2-3/8 | 2-7/8 | 3/8 | .406 ^{+.015} / _{+.000} | 2.375 ^{+.000} / _{-.003} | 2.875 ^{+.008} / _{+.000} | \$48.25 |
| DRUB25-2.50-37 | 2-1/2 | 3 | 3/8 | .406 ^{+.015} / _{+.000} | 2.500 ^{+.000} / _{-.003} | 3.000 ^{+.008} / _{+.000} | 44.34 |
| 3/8" C/S | | | | | | | |
| DRUB37-5.75-62 | 5-3/4 | 6-1/2 | 5/8 | .656 ^{+.015} / _{+.000} | 5.750 ^{+.000} / _{-.004} | 6.500 ^{+.010} / _{+.000} | \$69.32 |
| DRTUB37-6.50-45 | 6-1/2 | 7-1/4 | .45 | .540 ^{+.015} / _{+.000} | 6.500 ^{+.000} / _{-.003} | 7.250 ^{+.003} / _{+.000} | 84.89 |

STYLE UFN-EI ROD SEALS W/BACK-UP RINGS

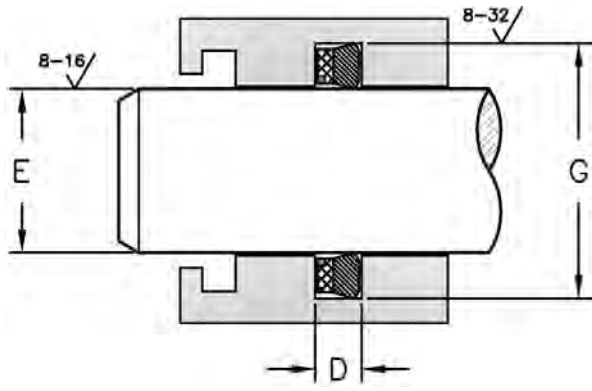
Incorporating a rubber seal lip, a rubberized fabric heel, and an acetal back-up ring, this seal provides excellent sealability and high extrusion resistance.



HERCULES PART NUMBERS



| SEAL INFORMATION | |
|-------------------|------------------------|
| MATERIAL | RUBBER, FABRIC, ACETAL |
| TEMPERATURE RANGE | -22° TO +212° F |
| PRESSURE RANGE | 0 TO 5,800 PSI |
| SPEED | 1.5 FT/SEC |



ROD U-SEALS

| Part Number | A Nom. ID | B Nom. OD | C Nom. Ht | D GROOVE WIDTH | E ROD DIAMETER | G HOUSING DIAMETER | List Price |
|------------------|--------------|--------------|--------------|--|---|--------------------------|---------------|
| 1/8" C/S | | | | | | | |
| UFN12-1.00-18EI | 1 | 1-1/4 | 3/16 | .202 ^{+0.010} / _{+0.000} | 1.000 ^{-0.001} / _{-0.002} | 1.250 ±0.003 | \$7.39 |
| UFN12-1.12-18EI | 1-1/8 | 1-3/8 | 3/16 | .202 ^{+0.010} / _{+0.000} | 1.125 ^{-0.001} / _{-0.002} | 1.375 ±0.003 | 8.81 |
| 5/32" C/S | | | | | | | |
| UFN15-2.00-25EI | 2 | 2-5/16 | 1/4 | .265 ^{+0.010} / _{+0.000} | 2.000 ^{-0.001} / _{-0.003} | 2.312 ±0.004 | \$10.30 |
| 3/16" C/S | | | | | | | |
| UFN18-0.62-28EI | 5/8 | 1 | 9/32 | .296 ^{+0.010} / _{+0.000} | .625 ^{-0.001} / _{-0.002} | 1.000 ±0.003 | \$8.03 |
| UFN18-0.75-31EI | 3/4 | 1-1/8 | 5/16 | .327 ^{+0.010} / _{+0.000} | .750 ^{-0.001} / _{-0.002} | 1.125 ±0.003 | 8.97 |
| UFN18-1.00-25EI | 1 | 1-3/8 | 1/4 | .265 ^{+0.010} / _{+0.000} | 1.000 ^{-0.001} / _{-0.002} | 1.375 ±0.003 | 7.65 |
| UFN18-1.25-25EI | 1-1/4 | 1-5/8 | 1/4 | .265 ^{+0.010} / _{+0.000} | 1.250 ^{-0.001} / _{-0.003} | 1.625 ±0.003 | 7.91 |
| UFN18-1.25-28EI | 1-1/4 | 1-5/8 | 9/32 | .296 ^{+0.010} / _{+0.000} | 1.250 ^{-0.001} / _{-0.003} | 1.625 ±0.003 | 7.53 |
| UFN18-1.37-28EI | 1-3/8 | 1-3/4 | 9/32 | .296 ^{+0.010} / _{+0.000} | 1.375 ^{-0.001} / _{-0.003} | 1.750 ±0.003 | 11.07 |
| UFN18-1.50-25EI | 1-1/2 | 1-7/8 | 1/4 | .265 ^{+0.010} / _{+0.000} | 1.500 ^{-0.001} / _{-0.003} | 1.875 ±0.003 | 9.48 |
| UFN18-1.50-28EI | 1-1/2 | 1-7/8 | 9/32 | .296 ^{+0.010} / _{+0.000} | 1.500 ^{-0.001} / _{-0.003} | 1.875 ±0.003 | 8.29 |
| UFN18-1.75-28EI | 1-3/4 | 2-1/8 | 9/32 | .296 ^{+0.010} / _{+0.000} | 1.750 ^{-0.001} / _{-0.003} | 2.125 ±0.004 | 9.77 |

FORMERLY LISTED SEALS ARE AVAILABLE ONLINE AT WWW.HERCULESUS.COM
 OR BY CONTACTING YOUR REGIONAL HERCULES SALES TEAM.



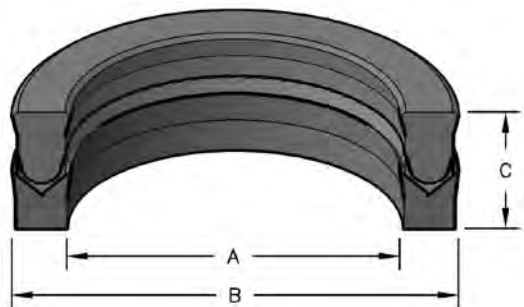
STYLE UFN-EI ROD SEALS W/BACK-UP RINGS

ROD U-SEALS

| Part Number | A Nom. ID | B Nom. OD | C Nom. Ht | D GROOVE WIDTH | E ROD DIAMETER | G HOUSING DIAMETER | List Price |
|-------------------|--------------|--------------|--------------|--|---|--------------------------|---------------|
| UFN18-1.75-30EI | 1-3/4 | 2-1/8 | 5/16 | .327 ⁺⁰¹⁰ / ₊₀₀₀ | 1.750 ⁻⁰⁰¹ / ₋₀₀₃ | 2.125 ±.004 | 9.63 |
| UFN18-2.12-31EI | 2-1/8 | 2-1/2 | 5/16 | .327 ⁺⁰¹⁰ / ₊₀₀₀ | 2.125 ⁻⁰⁰¹ / ₋₀₀₃ | 2.500 ±.004 | 11.47 |
| 7/32" C/S | | | | | | | |
| UFN22-1.12-34EI | 1-1/8 | 1-9/16 | 11/32 | .358 ⁺⁰¹⁰ / ₊₀₀₀ | 1.125 ⁻⁰⁰¹ / ₋₀₀₂ | 1.562 ±.003 | \$ 7.78 |
| 1/4" C/S | | | | | | | |
| UFN25-1.00-25EI | 1 | 1-1/2 | 1/4 | .265 ⁺⁰¹⁰ / ₊₀₀₀ | 1.000 ⁻⁰⁰¹ / ₋₀₀₂ | 1.500 ±.003 | \$ 8.70 |
| UFN25-1.00-37EI | 1 | 1-1/2 | 3/8 | .390 ⁺⁰¹⁰ / ₊₀₀₀ | 1.000 ⁻⁰⁰¹ / ₋₀₀₂ | 1.500 ±.003 | 7.53 |
| UFN25-1.12-37EI | 1-1/8 | 1-5/8 | 3/8 | .390 ⁺⁰¹⁰ / ₊₀₀₀ | 1.125 ⁻⁰⁰¹ / ₋₀₀₂ | 1.625 ±.003 | 7.78 |
| UFN25-1.25-37EI | 1-1/4 | 1-3/4 | 3/8 | .390 ⁺⁰¹⁰ / ₊₀₀₀ | 1.250 ⁻⁰⁰¹ / ₋₀₀₃ | 1.750 ±.003 | 9.63 |
| UFN25-1.50-37EI | 1-1/2 | 2 | 3/8 | .390 ⁺⁰¹⁰ / ₊₀₀₀ | 1.500 ⁻⁰⁰¹ / ₋₀₀₃ | 2.000 ±.004 | 8.29 |
| UFN25-1.50-46EI | 1-1/2 | 2 | 15/32 | .483 ⁺⁰¹⁰ / ₊₀₀₀ | 1.500 ⁻⁰⁰¹ / ₋₀₀₃ | 2.000 ±.004 | 8.29 |
| UFN25-1.75-37EI | 1-3/4 | 2-1/4 | 3/8 | .390 ⁺⁰¹⁰ / ₊₀₀₀ | 1.750 ⁻⁰⁰¹ / ₋₀₀₃ | 2.250 ±.004 | 7.91 |
| UFN25-2.00-37EI | 2 | 2-1/2 | 3/8 | .390 ⁺⁰¹⁰ / ₊₀₀₀ | 2.000 ⁻⁰⁰¹ / ₋₀₀₃ | 2.500 ±.004 | 11.35 |
| UFN25-2.25-37EI | 2-1/4 | 2-3/4 | 3/8 | .390 ⁺⁰¹⁰ / ₊₀₀₀ | 2.250 ⁻⁰⁰¹ / ₋₀₀₃ | 2.750 ±.004 | 11.07 |
| UFN25-2.50-31EI | 2-1/2 | 3 | 5/16 | .327 ⁺⁰¹⁰ / ₊₀₀₀ | 2.500 ⁻⁰⁰¹ / ₋₀₀₃ | 3.000 ±.004 | 13.70 |
| UFN25-3.50-37EI | 3-1/2 | 4 | 3/8 | .390 ⁺⁰¹⁰ / ₊₀₀₀ | 3.500 ⁻⁰⁰¹ / ₋₀₀₄ | 4.000 ±.004 | 25.73 |
| 5/16" C/S | | | | | | | |
| UFN31-1.25-43EI | 1-1/4 | 1-7/8 | 7/16 | .452 ⁺⁰¹⁰ / ₊₀₀₀ | 1.250 ⁻⁰⁰¹ / ₋₀₀₃ | 1.875 ±.003 | \$10.03 |
| UFN31-1.50-43EI | 1-1/2 | 2-1/8 | 7/16 | .452 ⁺⁰¹⁰ / ₊₀₀₀ | 1.500 ⁻⁰⁰¹ / ₋₀₀₃ | 2.125 ±.004 | 9.63 |
| UFN31-1.75-43EI | 1-3/4 | 2-3/8 | 7/16 | .452 ⁺⁰¹⁰ / ₊₀₀₀ | 1.750 ⁻⁰⁰¹ / ₋₀₀₃ | 2.375 ±.004 | 10.93 |
| UFN31-2.00-43EI | 2 | 2-5/8 | 7/16 | .452 ⁺⁰¹⁰ / ₊₀₀₀ | 2.000 ⁻⁰⁰¹ / ₋₀₀₃ | 2.625 ±.004 | 11.72 |
| 11/32" C/S | | | | | | | |
| UFN34-1.50-43EI | 1-1/2 | 2-3/16 | 7/16 | .452 ⁺⁰¹⁰ / ₊₀₀₀ | 1.500 ⁻⁰⁰¹ / ₋₀₀₃ | 2.188 ±.004 | \$10.55 |
| 3/8" C/S | | | | | | | |
| UFN37-2.50-56EI | 2-1/2 | 3-1/4 | 9/16 | .577 ⁺⁰¹⁰ / ₊₀₀₀ | 2.500 ⁻⁰⁰¹ / ₋₀₀₃ | 3.250 ±.004 | \$14.26 |
| UFN37-2.75-56EI | 2-3/4 | 3-1/2 | 9/16 | .577 ⁺⁰¹⁰ / ₊₀₀₀ | 2.750 ⁻⁰⁰¹ / ₋₀₀₃ | 3.500 ±.004 | 19.55 |
| UFN37-3.00-56EI | 3 | 3-3/4 | 9/16 | .577 ⁺⁰¹⁰ / ₊₀₀₀ | 3.000 ⁻⁰⁰¹ / ₋₀₀₃ | 3.750 ±.004 | 18.20 |
| UFN37-3.50-56EI | 3-1/2 | 4-1/4 | 9/16 | .577 ⁺⁰¹⁰ / ₊₀₀₀ | 3.500 ⁻⁰⁰¹ / ₋₀₀₄ | 4.250 ±.004 | 24.67 |

STYLE UFN-BR ROD U-SEALS W/HEADERS

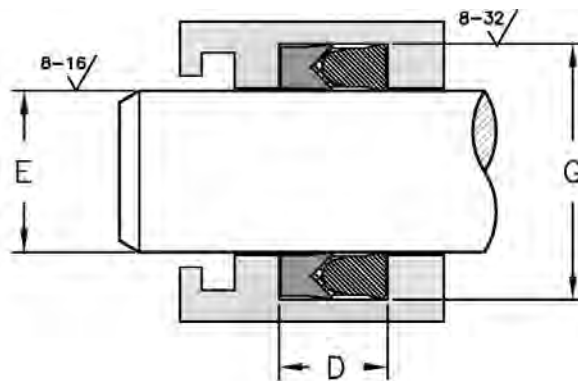
This is a single acting rod seal designed for low and high pressure sealing and is commonly found in telescopic cylinders. The seal consists of a molded rubber sealing lip, rubberized fabric heel, and a polyester header for improved extrusion resistance.



HERCULES PART NUMBERS

UFN 22 - 2.75 - 75BR-L-F
 Type of Seal Cross Section Inside Diameter Height

| SEAL INFORMATION | |
|-------------------|--|
| MATERIAL | RUBBER, FABRIC, POLYESTER ELASTOMER |
| TEMPERATURE RANGE | -22° TO +212° F |
| PRESSURE RANGE | 1.64 FPS @ 3600 PSI 0.49 FPS @ 5800 PSI |
| SPEED | 1.5 FT/SEC |



ROD U-SEALS

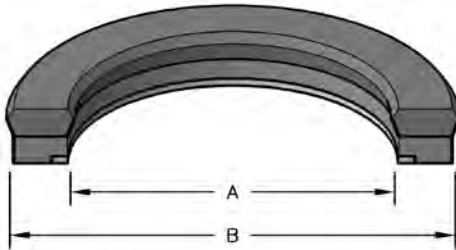
| Part Number | A Nom. ID | B Nom. OD | C Nom. Ht | D GROOVE WIDTH | E ROD DIAMETER | G HOUSING DIAMETER | List Price |
|---------------------|--------------|--------------|--------------|----------------------|------------------------|--------------------------|---------------|
| UFN22-2.75-75BR-L-F | 2-3/4 | 3.2 | 3/4 | .765 +.010 +.000 | 2.750 -.0012 -.0030 | 3.200 ±.003 | \$23.66 |
| UFN25-3.50-75BR-L-F | 3-1/2 | 4.013 | 3/4 | .765 +.010 +.000 | 3.500 -.0014 -.0035 | 4.013 ±.003 | 26.25 |
| UFN25-4.37-75BR-L-F | 4-3/8 | 4-7/8 | 3/4 | .765 +.010 +.000 | 4.375 -.0014 -.0035 | 4.875 ±.003 | 31.06 |
| UFN28-6.31-75BR-L-F | 6.312 | 6-7/8 | 3/4 | .765 +.010 +.000 | 6.312 -.0017 -.0042 | 6.875 ±.003 | 55.17 |
| UFN32-7.31-75BR-L-F | 7.312 | 7.954 | 3/4 | .765 +.010 +.000 | 7.312 -.0020 -.0048 | 7.954 ±.003 | 74.93 |
| UFN31-8.37-75BR-L-F | 8-3/8 | 9 | 3/4 | .765 +.010 +.000 | 8.375 -.0020 -.0048 | 9.000 ±.003 | 127.58 |



STYLE UFN-EI-SAG ROD SEALS W/BACK-UP RINGS

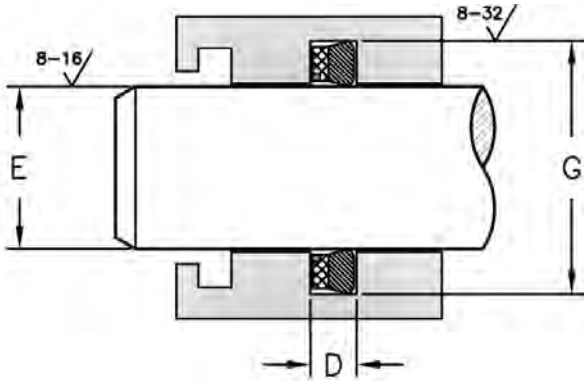
This is a single acting rod seal designed for low and high pressure sealing and is commonly found in telescopic cylinders. The seal consists of a molded rubber sealing lip, rubberized fabric heel, and an acetal back-up ring for improved extrusion resistance.

ROD U-SEALS



HERCULES PART NUMBERS
UFN 21 - 2.00 - 41EI-SAG-F
 Type of Seal Cross Section Inside Diameter Height

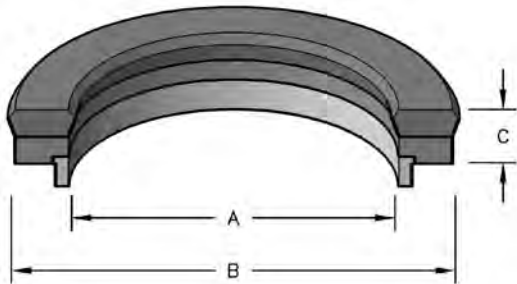
| SEAL INFORMATION | |
|-------------------|--|
| MATERIAL | RUBBER, FABRIC, ACETAL |
| TEMPERATURE RANGE | -22° TO +212° F |
| PRESSURE RANGE | 1.64 FPS @ 3600 PSI 0.49 FPS @ 5800 PSI |
| SPEED | 1.5 FT/SEC |



| Part Number | A Nom. ID | B Nom. OD | C Nom. Ht | D GROOVE WIDTH | E ROD DIAMETER | G HOUSING DIAMETER | List Price |
|-----------------------|--------------|--------------|--------------|--|---|--------------------------|---------------|
| UFN21-2.00-41EI-SAG-F | 2 | 2-7/16 | .406 | .421 ^{+0.010} / _{+0.000} | 2.000 ^{-0.0012} / _{-0.0030} | 2.437 ±.0037 | \$35.11 |
| UFN21-2.75-41EI-SAG-F | 2-3/4 | 3-3/16 | .406 | .421 ^{+0.010} / _{+0.000} | 2.750 ^{-0.0012} / _{-0.0030} | 3.187 ±.0043 | 56.42 |
| UFN25-3.50-46EI-SAG-F | 3-1/2 | 4 | .468 | .483 ^{+0.010} / _{+0.000} | 3.500 ^{-0.0014} / _{-0.0035} | 4.000 ±.0043 | 56.89 |
| UFN25-4.37-46EI-SAG-F | 4-3/8 | 4-7/8 | .468 | .483 ^{+0.010} / _{+0.000} | 4.375 ^{-0.0014} / _{-0.0035} | 4.875 ±.0049 | 90.73 |
| UFN31-5.25-46EI-SAG-F | 5-1/4 | 5-7/8 | .468 | .483 ^{+0.010} / _{+0.000} | 5.250 ^{-0.0017} / _{-0.0042} | 5.875 ±.0049 | 130.33 |

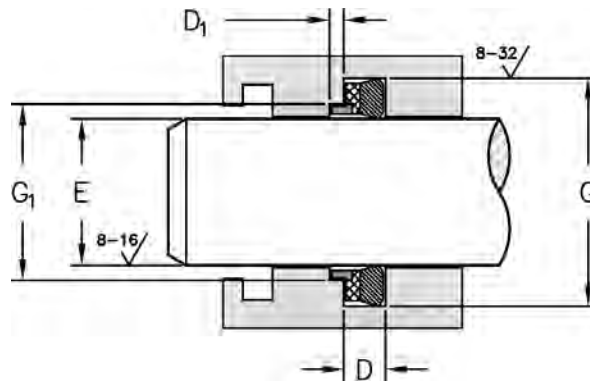
STYLE UFN-WI ROD SEAL W/CLIP ON BEARING

This is a single acting rod seal designed for low and high pressure sealing and is commonly found in telescopic cylinders. The seal consists of a molded rubber sealing lip and rubberized fabric heel. It also incorporates an acetal wear ring for improved extrusion resistance and to allow larger clearances between the rod and gland.



HERCULES PART NUMBERS
UFN 37 - 3.00 - 56WI-S-F
 Type of Seal Cross Section Inside Diameter Height

| SEAL INFORMATION | |
|-------------------|--|
| MATERIAL | RUBBER, FABRIC, ACETAL |
| TEMPERATURE RANGE | -22° TO +212° F |
| PRESSURE RANGE | 1.64 FPS @ 3600PSI 0.49 FPS @ 5800PSI |
| SPEED | 1.5 FT/SEC |



| Part Number | A Nom. ID | B Nom. OD | C Nom. Ht | D GROOVE WIDTH | D ₁ BEARING GROOVE WIDTH | E ROD DIAMETER | G HOUSING DIAMETER | G ₁ BEARING GROOVE DIAMETER | List Price |
|---------------------|-----------|-----------|-----------|--|--|--|--------------------|---|------------|
| UFN37-3.00-56WI-S-F | 3 | 3-3/4 | 9/16 | .577 ^{+0.010} / _{+0.000} | .250 ^{+0.004} / _{+0.000} | 3.000 ^{-0.012} / _{-0.0030} | 3.750 ±.0043 | 3.218 ^{+0.002} / _{+0.000} | \$32.74 |
| UFN37-4.37-56WI-S-F | 4-3/8 | 5-1/8 | 9/16 | .577 ^{+0.010} / _{+0.000} | .250 ^{+0.004} / _{+0.000} | 4.375 ^{-0.014} / _{-0.0035} | 5.125 ±.0049 | 4.593 ^{+0.002} / _{+0.000} | 45.96 |

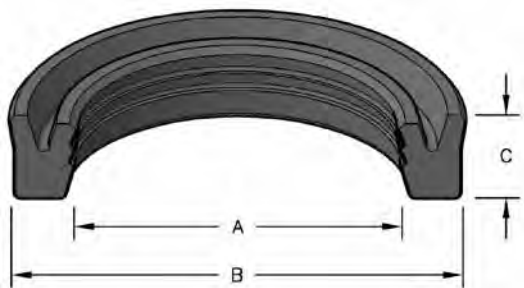
ROD U-SEALS



STYLE HMU POLYURETHANE U-SEALS

The HMU style multi-lip rod u-seal combines the pressure-compensating, uni-directional characteristics of a u-seal with the multi-lip sealing effectiveness of compression-type stacked-packings. Made from premium materials, the HMU utilizes several sealing lip edges for dry rod performance while minimizing friction. The multi-lip design maintains a critical sealing edge even though increasing pressure moves the line of contact down toward the heel.

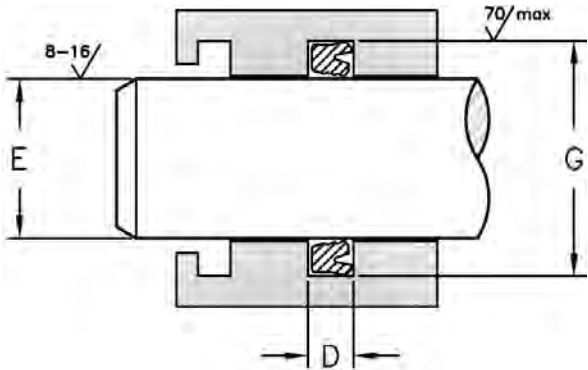
ROD U-SEALS



HERCULES PART NUMBERS

HMU 12 - 0.50 - 21U

Type of Seal | Cross Section | Inside Diameter | Height



| SEAL INFORMATION | |
|-------------------|-----------------|
| MATERIAL | 92A URETHANE |
| TEMPERATURE RANGE | -40° TO +200° F |
| PRESSURE RANGE | 0 TO 5,000 PSI |
| SPEED | 3 FT/SEC |

| Part Number | A Nom. ID | B Nom. OD | C Nom. Ht | D GROOVE WIDTH | E ROD DIAMETER | G HOUSING DIAMETER | List Price |
|------------------|--------------|--------------|--------------|--|---|---|---------------|
| 1/8" C/S | | | | | | | |
| HMU12-0.50-21U | 1/2 | 3/4 | .209 | .230 ^{+0.015} / _{+0.000} | .500 ^{-.001} / _{-.002} | .750 ^{+0.002} / _{+0.000} | \$ 14.19 |
| HMU12-0.62-17U | 5/8 | 7/8 | .17 | .1875 ^{+0.016} / _{-.001} | .625 ^{-.001} / _{-.002} | .875 ^{+0.002} / _{+0.000} | 4.70 |
| HMU12-0.62-21U | 5/8 | 7/8 | .209 | .230 ^{+0.015} / _{+0.000} | .625 ^{-.001} / _{-.002} | .875 ^{+0.002} / _{+0.000} | 14.66 |
| HMU12-1.00-25U | 1 | 1-1/4 | 1/4 | .275 ^{+0.015} / _{+0.000} | 1.000 ^{-.001} / _{-.002} | 1.250 ^{+0.002} / _{+0.000} | 5.24 |
| 5/32" C/S | | | | | | | |
| HMU15-1.00-21U | 1 | 1-5/16 | .232 | .250 ^{+0.015} / _{+0.000} | 1.000 ^{-.001} / _{-.002} | 1.313 ^{+0.002} / _{+0.000} | \$ 17.91 |
| HMU15-1.37-24U | 1-3/8 | 1-11/16 | .232 | .250 ^{+0.015} / _{+0.000} | 1.375 ^{-.001} / _{-.003} | 1.688 ^{+0.002} / _{+0.000} | 21.12 |
| 3/16" C/S | | | | | | | |
| HMU18-1.37-31U | 1-3/8 | 1-3/4 | .313 | .344 ^{+0.015} / _{+0.000} | 1.375 ^{-.001} / _{-.003} | 1.750 ^{+0.002} / _{+0.000} | \$ 6.22 |
| HMU18-1.75-27U | 1-3/4 | 2-1/8 | .272 | .281 ^{+0.015} / _{+0.000} | 1.750 ^{-.001} / _{-.003} | 2.125 ^{+0.003} / _{+0.000} | 25.15 |
| HMU18-1.75-38U | 1-3/4 | 2-1/8 | .38 | .410 ^{+0.015} / _{+0.000} | 1.750 ^{-.001} / _{-.003} | 2.125 ^{+0.003} / _{+0.000} | 12.28 |
| HMU18-2.00-27U | 2 | 2-3/8 | .272 | .281 ^{+0.015} / _{+0.000} | 2.000 ^{-.001} / _{-.003} | 2.375 ^{+0.003} / _{+0.000} | 29.20 |
| HMU18-2.00-38U | 2 | 2-3/8 | .38 | .410 ^{+0.015} / _{+0.000} | 2.000 ^{-.001} / _{-.003} | 2.375 ^{+0.003} / _{+0.000} | 7.97 |

NORTH AMERICA
 PHONE 1-800-777-5617
 FAX 1-800-759-6391

SALES OFFICE HOURS
 8 A.M. TO 7:30 P.M. EASTERN TIME
www.HerculesUS.com

WORLDWIDE
 PHONE 1-727-796-1300
 FAX 1-727-797-8849



STYLE HMU POLYURETHANE U-SEALS

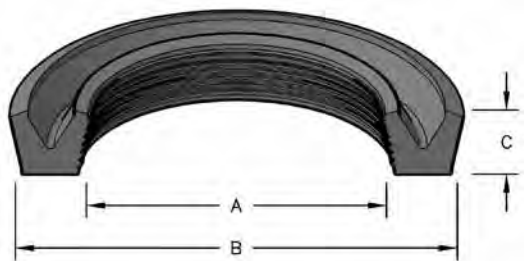
| Part Number | A Nom. ID | B Nom. OD | C Nom. Ht | D GROOVE WIDTH | E ROD DIAMETER | G HOUSING DIAMETER | List Price |
|------------------|--------------|--------------|--------------|--|---|---|---------------|
| HMU18-2.50-38U | 2-1/2 | 2-7/8 | .38 | .410 ⁺⁰¹⁵ / ₊₀₀₀ | 2.500 ⁻⁰⁰¹ / ₋₀₀₃ | 2.875 ⁺⁰⁰³ / ₊₀₀₀ | 8.42 |
| HMU18-3.00-38U | 3 | 3-3/8 | .38 | .410 ⁺⁰¹⁵ / ₊₀₀₀ | 3.000 ⁻⁰⁰¹ / ₋₀₀₃ | 3.375 ⁺⁰⁰³ / ₊₀₀₀ | 9.03 |
| HMU18-3.50-38U | 3-1/2 | 3-7/8 | .38 | .410 ⁺⁰¹⁵ / ₊₀₀₀ | 3.500 ⁻⁰⁰¹ / ₋₀₀₄ | 3.875 ⁺⁰⁰³ / ₊₀₀₀ | 11.44 |
| 7/32" C/S | | | | | | | |
| HMU21-2.50-30U | 2-1/2 | 2-15/16 | .29 | .313 ⁺⁰¹⁵ / ₊₀₀₀ | 2.500 ⁻⁰⁰¹ / ₋₀₀₃ | 2.938 ⁺⁰⁰³ / ₊₀₀₀ | \$30.78 |
| HMU21-3.00-30U | 3 | 3-7/16 | .29 | .313 ⁺⁰¹⁵ / ₊₀₀₀ | 3.000 ⁻⁰⁰¹ / ₋₀₀₃ | 3.438 ⁺⁰⁰³ / ₊₀₀₀ | 32.41 |
| 1/4" C/S | | | | | | | |
| HMU25-3.50-33U | 3-1/2 | 4 | .327 | .355 ⁺⁰¹⁵ / ₊₀₀₀ | 3.500 ⁻⁰⁰¹ / ₋₀₀₄ | 4.000 ⁺⁰⁰³ / ₊₀₀₀ | \$38.51 |
| HMU25-4.00-33U | 4 | 4-1/2 | .327 | .355 ⁺⁰¹⁵ / ₊₀₀₀ | 4.000 ⁻⁰⁰¹ / ₋₀₀₄ | 4.500 ⁺⁰⁰³ / ₊₀₀₀ | 43.08 |
| HMU25-4.50-33U | 4-1/2 | 5 | .327 | .355 ⁺⁰¹⁵ / ₊₀₀₀ | 4.500 ⁻⁰⁰¹ / ₋₀₀₄ | 5.000 ⁺⁰⁰⁴ / ₊₀₀₀ | 47.63 |
| 9/32" C/S | | | | | | | |
| HMU28-5.00-35U | 5 | 5-9/16 | .352 | .390 ⁺⁰¹⁵ / ₊₀₀₀ | 5.000 ⁻⁰⁰² / ₋₀₀₄ | 5.563 ⁺⁰⁰⁴ / ₊₀₀₀ | \$52.21 |
| 5/16" C/S | | | | | | | |
| HMU31-5.50-38U | 5-1/2 | 6-1/8 | .38 | .410 ⁺⁰¹⁵ / ₊₀₀₀ | 5.500 ⁻⁰⁰² / ₋₀₀₄ | 6.120 ⁺⁰⁰⁴ / ₊₀₀₀ | \$57.85 |

ROD U-SEALS



STYLE HMU HOMOGENOUS U-SEALS

The HMU style multi-lip rod u-seal combines the pressure-compensating, uni-directional characteristics of a u-seal with the multi-lip sealing effectiveness of compression-type stacked-packings. Made from premium materials, the HMU utilizes several sealing lip edges for dry rod performance while minimizing friction. The multi-lip design maintains a critical sealing edge even though increasing pressure moves the line of contact down toward the heel.

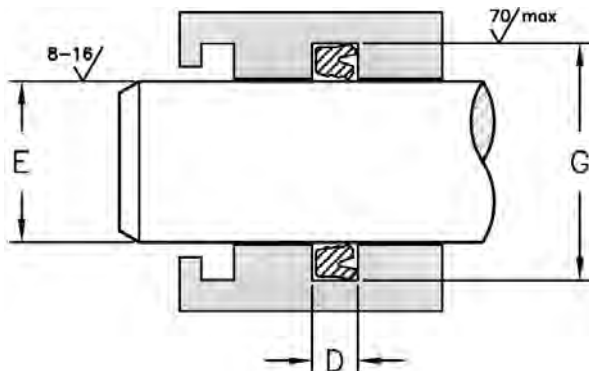


HERCULES PART NUMBERS

HMU 15 - 0.62 - 15N

Type of Seal Cross Section Inside Diameter Height

N=BUNA-N
V=FLUOROCARBON



| SEAL INFORMATION | |
|-------------------|--|
| MATERIAL | 80A BUNA-N RUBBER 90A FLUOROCARBON |
| TEMPERATURE RANGE | BUNA-N: -40° TO +250° F FC: -20° TO +400° F |
| PRESSURE RANGE | BUNA-N: 0 TO 1,000 PSI FC: 0-2,000 PSI |
| SPEED | 3 FT/SEC |

ROD U-SEALS

| Part Number | A Nom. ID | B Nom. OD | C Nom. Ht | D GROOVE WIDTH | E ROD DIAMETER | G HOUSING DIAMETER | List Price |
|------------------|--------------|--------------|--------------|--|---|--|------------|
| 1/8" C/S | | | | | | | |
| HMU12-0.62-15N | 5/8 | 7/8 | 5/32 | .172 ⁺⁰¹⁵ / ₊₀₀₀ | .625 ⁻⁰⁰¹ / ₋₀₀₂ | .875 ⁺⁰⁰² / ₊₀₀₀ | \$ 7.90 |
| HMU12-0.62-15V | 5/8 | 7/8 | 5/32 | .172 ⁺⁰¹⁵ / ₊₀₀₀ | .625 ⁻⁰⁰¹ / ₋₀₀₂ | .875 ⁺⁰⁰² / ₊₀₀₀ | 27.79 |
| 5/32" C/S | | | | | | | |
| HMU15-1.00-18N | 1 | 1-5/16 | 3/16 | .206 ⁺⁰¹⁵ / ₊₀₀₀ | 1.000 ⁻⁰⁰¹ / ₋₀₀₂ | 1.3125 ⁺⁰⁰² / ₊₀₀₀ | \$ 7.53 |
| HMU15-1.00-18V | 1 | 1-5/16 | 3/16 | .206 ⁺⁰¹⁵ / ₊₀₀₀ | 1.000 ⁻⁰⁰¹ / ₋₀₀₂ | 1.3125 ⁺⁰⁰² / ₊₀₀₀ | 14.13 |
| HMU15-1.37-18N | 1-3/8 | 1-11/16 | 3/16 | .206 ⁺⁰¹⁵ / ₊₀₀₀ | 1.375 ⁻⁰⁰¹ / ₋₀₀₃ | 1.6875 ⁺⁰⁰² / ₊₀₀₀ | 10.09 |
| HMU15-1.37-18V | 1-3/8 | 1-11/16 | 3/16 | .206 ⁺⁰¹⁵ / ₊₀₀₀ | 1.375 ⁻⁰⁰¹ / ₋₀₀₃ | 1.6875 ⁺⁰⁰² / ₊₀₀₀ | 30.21 |
| 3/16" C/S | | | | | | | |
| HMU18-1.75-21N | 1-3/4 | 2-1/8 | 7/32 | .241 ⁺⁰¹⁵ / ₊₀₀₀ | 1.750 ⁻⁰⁰¹ / ₋₀₀₃ | 2.125 ⁺⁰⁰³ / ₊₀₀₀ | \$ 11.10 |
| HMU18-1.75-21V | 1-3/4 | 2-1/8 | 7/32 | .241 ⁺⁰¹⁵ / ₊₀₀₀ | 1.750 ⁻⁰⁰¹ / ₋₀₀₃ | 2.125 ⁺⁰⁰³ / ₊₀₀₀ | 36.80 |
| HMU18-2.00-21N | 2 | 2-3/8 | 7/32 | .241 ⁺⁰¹⁵ / ₊₀₀₀ | 2.000 ⁻⁰⁰¹ / ₋₀₀₃ | 2.375 ⁺⁰⁰³ / ₊₀₀₀ | 13.34 |
| HMU18-2.00-21V | 2 | 2-3/8 | 7/32 | .241 ⁺⁰¹⁵ / ₊₀₀₀ | 2.000 ⁻⁰⁰¹ / ₋₀₀₃ | 2.375 ⁺⁰⁰³ / ₊₀₀₀ | 42.07 |
| 7/32" C/S | | | | | | | |
| HMU21-2.50-24N | 2-1/2 | 2-15/16 | .24 | .264 ⁺⁰¹⁵ / ₊₀₀₀ | 2.500 ⁻⁰⁰¹ / ₋₀₀₃ | 2.9375 ⁺⁰⁰³ / ₊₀₀₀ | \$ 15.03 |

NORTH AMERICA
PHONE 1-800-777-5617
FAX 1-800-759-6391

SALES OFFICE HOURS
8 A.M. TO 7:30 P.M. EASTERN TIME
www.HerculesUS.com

WORLDWIDE
PHONE 1-727-796-1300
FAX 1-727-797-8849



STYLE HMU HOMOGENOUS U-SEALS

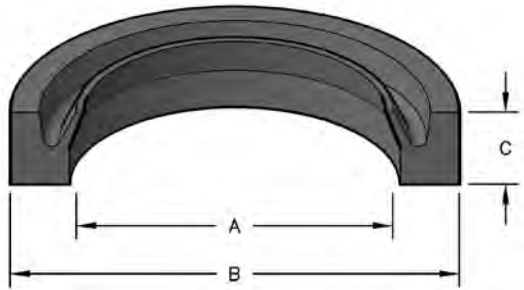
| Part Number | A Nom. ID | B Nom. OD | C Nom. Ht | D GROOVE WIDTH | E ROD DIAMETER | G HOUSING DIAMETER | List Price |
|------------------|--------------|--------------|--------------|--|---|--|---------------|
| HMU21-2.50-24V | 2-1/2 | 2-15/16 | .24 | .264 ⁺⁰¹⁵ / ₊₀₀₀ | 2.500 ⁻⁰⁰¹ / ₋₀₀₃ | 2.9375 ⁺⁰⁰³ / ₊₀₀₀ | 49.47 |
| HMU21-3.00-24N | 3 | 3-7/16 | .24 | .264 ⁺⁰¹⁵ / ₊₀₀₀ | 3.000 ⁻⁰⁰¹ / ₋₀₀₃ | 3.4375 ⁺⁰⁰³ / ₊₀₀₀ | 18.05 |
| HMU21-3.00-24V | 3 | 3-7/16 | .24 | .264 ⁺⁰¹⁵ / ₊₀₀₀ | 3.000 ⁻⁰⁰¹ / ₋₀₀₃ | 3.4375 ⁺⁰⁰³ / ₊₀₀₀ | 59.36 |
| 1/4" C/S | | | | | | | |
| HMU25-3.50-24N | 3-1/2 | 4 | .242 | .264 ⁺⁰¹⁵ / ₊₀₀₀ | 3.500 ⁻⁰⁰¹ / ₋₀₀₄ | 4.000 ⁺⁰⁰³ / ₊₀₀₀ | \$21.07 |
| HMU25-3.50-27V | 3-1/2 | 4 | .27 | .300 ⁺⁰¹⁵ / ₊₀₀₀ | 3.500 ⁻⁰⁰¹ / ₋₀₀₄ | 4.000 ⁺⁰⁰³ / ₊₀₀₀ | 20.04 |
| HMU25-4.00-24N | 4 | 4-1/2 | .242 | .264 ⁺⁰¹⁵ / ₊₀₀₀ | 4.000 ⁻⁰⁰¹ / ₋₀₀₄ | 4.500 ⁺⁰⁰³ / ₊₀₀₀ | 24.09 |
| HMU25-4.50-24N | 4-1/2 | 5 | .242 | .264 ⁺⁰¹⁵ / ₊₀₀₀ | 4.500 ⁻⁰⁰¹ / ₋₀₀₄ | 5.000 ⁺⁰⁰⁴ / ₊₀₀₀ | 27.12 |
| 9/32" C/S | | | | | | | |
| HMU28-5.00-27N | 5 | 5-9/16 | .278 | .306 ⁺⁰¹⁵ / ₊₀₀₀ | 5.000 ⁻⁰⁰² / ₋₀₀₄ | 5.563 ⁺⁰⁰⁴ / ₊₀₀₀ | \$30.14 |
| 5/16" C/S | | | | | | | |
| HMU31-5.50-31N | 5-1/2 | 6-1/8 | 5/16 | .344 ⁺⁰¹⁵ / ₊₀₀₀ | 5.500 ⁻⁰⁰² / ₋₀₀₄ | 6.120 ⁺⁰⁰⁴ / ₊₀₀₀ | \$33.16 |

ROD U-SEALS

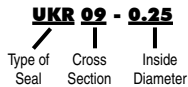


STYLE UKR ROD U-SEALS

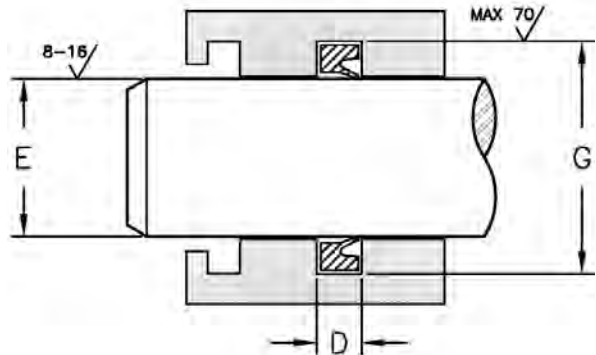
UKR u-seals are designed to act as a positive sealing, low friction replacement for conventional rubber u-seals. Molded from polyurethane, UKR u-seals provide long life and high resistance against extrusion. Low friction allows these seals to run smoothly in a lubricated or non-lubricated cylinder. Available for rod sealing, the flexible dynamic lip provides very low breakaway friction and steady motion.



HERCULES PART NUMBERS



| SEAL INFORMATION | |
|-------------------|-----------------|
| MATERIAL | 90A URETHANE |
| TEMPERATURE RANGE | -40° TO +200° F |
| PRESSURE RANGE | 0 TO 150 PSI |
| SPEED | 3 FT/SEC |



ROD U-SEALS

| Part Number | A Nom. ID | B Nom. OD | C Nom. Ht | D GROOVE WIDTH | E ROD DIAMETER | G HOUSING DIAMETER | List Price |
|------------------|-----------|-----------|-----------|--|---|---|------------|
| 3/32" C/S | | | | | | | |
| UKR09-0.25 | 1/4 | 7/16 | 3/32 | .125 ^{+0.015} / _{+0.000} | .250 ^{+0.000} / _{-0.001} | .438 ^{+0.002} / _{+0.000} | \$3.73 |
| UKR09-0.31 | 5/16 | 1/2 | 3/32 | .125 ^{+0.015} / _{+0.000} | .312 ^{+0.000} / _{-0.001} | .500 ^{+0.002} / _{+0.000} | 3.73 |
| UKR09-0.50 | 1/2 | 11/16 | 3/32 | .125 ^{+0.015} / _{+0.000} | .500 ^{+0.000} / _{-0.001} | .688 ^{+0.002} / _{+0.000} | 3.73 |
| 1/8" C/S | | | | | | | |
| UKR12-0.37 | 3/8 | 5/8 | 1/8 | .156 ^{+0.015} / _{+0.000} | .375 ^{+0.000} / _{-0.001} | .625 ^{+0.002} / _{+0.000} | \$5.08 |
| UKR12-0.50 | 1/2 | 3/4 | 1/8 | .156 ^{+0.015} / _{+0.000} | .500 ^{+0.000} / _{-0.001} | .750 ^{+0.002} / _{+0.000} | 5.08 |
| UKR12-0.62 | 5/8 | 7/8 | 1/8 | .156 ^{+0.015} / _{+0.000} | .625 ^{+0.000} / _{-0.001} | .875 ^{+0.002} / _{+0.000} | 5.18 |
| UKR12-0.75 | 3/4 | 1 | 1/8 | .156 ^{+0.015} / _{+0.000} | .750 ^{+0.000} / _{-0.001} | 1.000 ^{+0.002} / _{+0.000} | 5.18 |
| UKR12-0.87 | 7/8 | 1-1/8 | 1/8 | .156 ^{+0.015} / _{+0.000} | .875 ^{+0.000} / _{-0.001} | 1.125 ^{+0.002} / _{+0.000} | 5.26 |
| UKR12-1.00 | 1 | 1-1/4 | 1/8 | .156 ^{+0.015} / _{+0.000} | 1.000 ^{+0.000} / _{-0.001} | 1.250 ^{+0.002} / _{+0.000} | 5.26 |
| UKR12-1.12 | 1-1/8 | 1-3/8 | 1/8 | .156 ^{+0.015} / _{+0.000} | 1.125 ^{+0.000} / _{-0.001} | 1.375 ^{+0.002} / _{+0.000} | 5.30 |
| 5/32" C/S | | | | | | | |
| UKR15-1.00 | 1 | 1-5/16 | 5/32 | .188 ^{+0.015} / _{+0.000} | 1.000 ^{+0.000} / _{-0.001} | 1.313 ^{+0.002} / _{+0.000} | \$9.06 |
| UKR15-1.25 | 1-1/4 | 1-9/16 | 5/32 | .188 ^{+0.015} / _{+0.000} | 1.250 ^{+0.000} / _{-0.001} | 1.563 ^{+0.002} / _{+0.000} | 5.54 |

NORTH AMERICA
 PHONE 1-800-777-5617
 FAX 1-800-759-6391

SALES OFFICE HOURS
 8 A.M. TO 7:30 P.M. EASTERN TIME
www.HerculesUS.com

WORLDWIDE
 PHONE 1-727-796-1300
 FAX 1-727-797-8849



STYLE UKR ROD U-SEALS

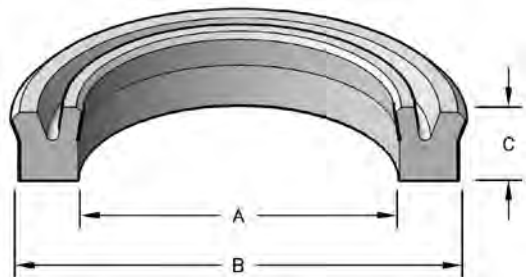
| Part Number | A Nom. ID | B Nom. OD | C Nom. Ht | D GROOVE WIDTH | E ROD DIAMETER | G HOUSING DIAMETER | List Price |
|------------------|--------------|--------------|--------------|--|--|---|---------------|
| UKR15-1.37 | 1-3/8 | 1-11/16 | 5/32 | .188 ⁺⁰¹⁵ / ₊₀₀₀ | 1.375 ⁺⁰⁰⁰ / _{-.001} | 1.688 ⁺⁰⁰² / ₊₀₀₀ | 5.54 |
| 3/16" C/S | | | | | | | |
| UKR18-1.50 | 1-1/2 | 1-7/8 | 3/16 | .218 ⁺⁰¹⁵ / ₊₀₀₀ | 1.500 ⁺⁰⁰⁰ / _{-.002} | 1.875 ⁺⁰⁰² / ₊₀₀₀ | \$5.86 |
| UKR18-1.75 | 1-3/4 | 2-1/8 | 3/16 | .218 ⁺⁰¹⁵ / ₊₀₀₀ | 1.750 ⁺⁰⁰⁰ / _{-.002} | 2.125 ⁺⁰⁰² / ₊₀₀₀ | 9.67 |
| UKR18-2.00 | 2 | 2-3/8 | 3/16 | .218 ⁺⁰¹⁵ / ₊₀₀₀ | 2.000 ⁺⁰⁰⁰ / _{-.002} | 2.375 ⁺⁰⁰² / ₊₀₀₀ | 5.86 |
| UKR18-2.25 | 2-1/4 | 2-5/8 | 3/16 | .218 ⁺⁰¹⁵ / ₊₀₀₀ | 2.250 ⁺⁰⁰⁰ / _{-.002} | 2.625 ⁺⁰⁰² / ₊₀₀₀ | 6.21 |

ROD U-SEALS



STYLE DPU HEAVY DUTY PISTON U-SEALS

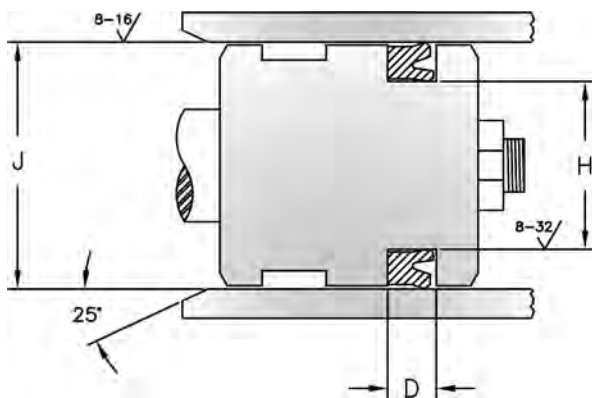
Specifically designed as piston seals, these u-seals are engineered to seal on their outside diameter. They offer extended service life and maximum reliability in piston sealing.



HERCULES PART NUMBERS

DPU 12 - 0.75 - 12
 Type of Seal Cross Section Inside Diameter Height

| SEAL INFORMATION | |
|-------------------|-----------------|
| MATERIAL | 92A URETHANE |
| TEMPERATURE RANGE | -65° TO +230° F |
| PRESSURE RANGE | 0 TO 6,000 PSI |
| SPEED | 3 FT/SEC |



| MAXIMUM EXTRUSION GAP | | | | |
|-----------------------|----------|----------|----------|----------|
| PRESSURE | 1000 psi | 3000 psi | 5000 psi | 6000 psi |
| MAX DIAM. GAP | 0.032" | 0.015" | 0.012" | 0.009" |

| Part Number | A Nom. ID | B Nom. OD | C Nom. Ht | D GROOVE WIDTH | H GROOVE DIAMETER | J BORE DIAMETER | List Price |
|------------------|--------------|--------------|--------------|--|--|---|------------|
| 1/8" C/S | | | | | | | |
| DPU12-0.75-12 | 3/4 | 1 | 1/8 | .156 ^{+0.015} / _{+0.000} | .750 ^{+0.000} / _{-.003} | 1.000 ^{+0.005} / _{+0.000} | \$7.56 |
| DPU12-0.75-25 | 3/4 | 1 | 1/4 | .281 ^{+0.015} / _{+0.000} | .750 ^{+0.000} / _{-.003} | 1.000 ^{+0.005} / _{+0.000} | 8.26 |
| DPU12-1.00-25 | 1 | 1-1/4 | 1/4 | .281 ^{+0.015} / _{+0.000} | 1.000 ^{+0.000} / _{-.003} | 1.250 ^{+0.005} / _{+0.000} | 8.94 |
| 3/16" C/S | | | | | | | |
| DPU18-1.25-31 | 1-1/4 | 1-5/8 | 5/16 | .343 ^{+0.015} / _{+0.000} | 1.250 ^{+0.000} / _{-.003} | 1.625 ^{+0.007} / _{+0.000} | \$14.48 |
| DPU18-1.37-31 | 1-3/8 | 1-3/4 | 5/16 | .343 ^{+0.015} / _{+0.000} | 1.375 ^{+0.000} / _{-.003} | 1.750 ^{+0.007} / _{+0.000} | 12.00 |
| DPU18-1.75-31 | 1-3/4 | 2-1/8 | 5/16 | .343 ^{+0.015} / _{+0.000} | 1.750 ^{+0.000} / _{-.003} | 2.125 ^{+0.008} / _{+0.000} | 14.14 |
| DPU18-1.75-37 | 1-3/4 | 2-1/8 | 3/8 | .406 ^{+0.015} / _{+0.000} | 1.750 ^{+0.000} / _{-.003} | 2.125 ^{+0.008} / _{+0.000} | 10.17 |

NORTH AMERICA
 PHONE 1-800-777-5617
 FAX 1-800-759-6391

SALES OFFICE HOURS
 8 A.M. TO 7:30 P.M. EASTERN TIME
 www.HerculesUS.com

WORLDWIDE
 PHONE 1-727-796-1300
 FAX 1-727-797-8849

PISTON U-SEALS



STYLE DPU HEAVY DUTY PISTON U-SEALS

PISTON U-SEALS

| Part Number | A Nom. ID | B Nom. OD | C Nom. Ht | D GROOVE WIDTH | H GROOVE DIAMETER | J BORE DIAMETER | List Price |
|------------------|--------------|--------------|--------------|--|--|---|---------------|
| DPU18-2.00-37 | 2 | 2-3/8 | 3/8 | .406 ⁺⁰¹⁵ / ₊₀₀₀ | 2.000 ⁺⁰⁰⁰ / _{-.003} | 2.375 ⁺⁰⁰⁸ / ₊₀₀₀ | 12.59 |
| DPU18-2.12-18 | 2-1/8 | 2-1/2 | 3/16 | .217 ⁺⁰¹⁵ / ₊₀₀₀ | 2.125 ⁺⁰⁰⁰ / _{-.003} | 2.500 ⁺⁰⁰⁸ / ₊₀₀₀ | 18.46 |
| DPU18-2.12-31 | 2-1/8 | 2-1/2 | 5/16 | .343 ⁺⁰¹⁵ / ₊₀₀₀ | 2.125 ⁺⁰⁰⁰ / _{-.003} | 2.500 ⁺⁰⁰⁸ / ₊₀₀₀ | 18.46 |
| DPU18-2.12-37 | 2-1/8 | 2-1/2 | 3/8 | .406 ⁺⁰¹⁵ / ₊₀₀₀ | 2.125 ⁺⁰⁰⁰ / _{-.003} | 2.500 ⁺⁰⁰⁸ / ₊₀₀₀ | 18.46 |
| DPU18-3.12-37 | 3-1/8 | 3-1/2 | 3/8 | .406 ⁺⁰¹⁵ / ₊₀₀₀ | 3.125 ⁺⁰⁰⁰ / _{-.004} | 3.500 ⁺⁰⁰⁹ / ₊₀₀₀ | 21.38 |
| 7/32" C/S | | | | | | | |
| DPU21-0.25-37 | 1/4 | 11/16 | 3/8 | .406 ⁺⁰¹⁵ / ₊₀₀₀ | .250 ⁺⁰⁰⁰ / _{-.003} | .688 ⁺⁰⁰⁵ / ₊₀₀₀ | \$7.03 |
| 1/4" C/S | | | | | | | |
| DPU25-1.00-35 | 1 | 1-1/2 | .357 | .388 ⁺⁰¹⁵ / ₊₀₀₀ | 1.000 ⁺⁰⁰⁰ / _{-.003} | 1.500 ⁺⁰⁰⁷ / ₊₀₀₀ | \$9.34 |
| DPU25-1.00-37 | 1 | 1-1/2 | 3/8 | .406 ⁺⁰¹⁵ / ₊₀₀₀ | 1.000 ⁺⁰⁰⁰ / _{-.003} | 1.500 ⁺⁰⁰⁷ / ₊₀₀₀ | 9.65 |
| DPU25-1.12-31 | 1-1/8 | 1-5/8 | 5/16 | .343 ⁺⁰¹⁵ / ₊₀₀₀ | 1.125 ⁺⁰⁰⁰ / _{-.003} | 1.625 ⁺⁰⁰⁷ / ₊₀₀₀ | 10.05 |
| DPU25-1.25-37 | 1-1/4 | 1-3/4 | 3/8 | .406 ⁺⁰¹⁵ / ₊₀₀₀ | 1.250 ⁺⁰⁰⁰ / _{-.003} | 1.750 ⁺⁰⁰⁷ / ₊₀₀₀ | 11.13 |
| DPU25-1.50-31 | 1-1/2 | 2 | 5/16 | .343 ⁺⁰¹⁵ / ₊₀₀₀ | 1.500 ⁺⁰⁰⁰ / _{-.003} | 2.000 ⁺⁰⁰⁸ / ₊₀₀₀ | 11.86 |
| DPU25-1.50-37 | 1-1/2 | 2 | 3/8 | .406 ⁺⁰¹⁵ / ₊₀₀₀ | 1.500 ⁺⁰⁰⁰ / _{-.003} | 2.000 ⁺⁰⁰⁸ / ₊₀₀₀ | 11.86 |
| DPU25-1.75-37 | 1-3/4 | 2-1/4 | 3/8 | .406 ⁺⁰¹⁵ / ₊₀₀₀ | 1.750 ⁺⁰⁰⁰ / _{-.003} | 2.250 ⁺⁰⁰⁸ / ₊₀₀₀ | 14.96 |
| DPU25-2.00-37 | 2 | 2-1/2 | 3/8 | .406 ⁺⁰¹⁵ / ₊₀₀₀ | 2.000 ⁺⁰⁰⁰ / _{-.003} | 2.500 ⁺⁰⁰⁸ / ₊₀₀₀ | 15.31 |
| DPU25-2.06-25 | 2-1/16 | 2-9/16 | 1/4 | .281 ⁺⁰¹⁵ / ₊₀₀₀ | 2.062 ⁺⁰⁰⁰ / _{-.003} | 2.563 ⁺⁰⁰⁸ / ₊₀₀₀ | 19.99 |
| DPU25-2.06-34 | 2-1/16 | 2-9/16 | 11/32 | .375 ⁺⁰¹⁵ / ₊₀₀₀ | 2.062 ⁺⁰⁰⁰ / _{-.003} | 2.563 ⁺⁰⁰⁸ / ₊₀₀₀ | 19.99 |
| DPU25-2.25-31 | 2-1/4 | 2-3/4 | 5/16 | .343 ⁺⁰¹⁵ / ₊₀₀₀ | 2.250 ⁺⁰⁰⁰ / _{-.003} | 2.750 ⁺⁰⁰⁸ / ₊₀₀₀ | 20.80 |
| DPU25-2.25-37 | 2-1/4 | 2-3/4 | 3/8 | .406 ⁺⁰¹⁵ / ₊₀₀₀ | 2.250 ⁺⁰⁰⁰ / _{-.003} | 2.750 ⁺⁰⁰⁸ / ₊₀₀₀ | 16.57 |
| DPU25-2.50-37 | 2-1/2 | 3 | 3/8 | .406 ⁺⁰¹⁵ / ₊₀₀₀ | 2.500 ⁺⁰⁰⁰ / _{-.003} | 3.000 ⁺⁰⁰⁸ / ₊₀₀₀ | 15.88 |
| DPU25-2.75-37 | 2-3/4 | 3-1/4 | 3/8 | .406 ⁺⁰¹⁵ / ₊₀₀₀ | 2.750 ⁺⁰⁰⁰ / _{-.003} | 3.250 ⁺⁰⁰⁹ / ₊₀₀₀ | 17.43 |
| DPU25-3.00-37 | 3 | 3-1/2 | 3/8 | .406 ⁺⁰¹⁵ / ₊₀₀₀ | 3.000 ⁺⁰⁰⁰ / _{-.004} | 3.500 ⁺⁰⁰⁹ / ₊₀₀₀ | 17.80 |
| DPU25-3.12-37 | 3-1/8 | 3-5/8 | 3/8 | .406 ⁺⁰¹⁵ / ₊₀₀₀ | 3.125 ⁺⁰⁰⁰ / _{-.004} | 3.625 ⁺⁰⁰⁹ / ₊₀₀₀ | 21.99 |
| DPU25-3.25-37 | 3-1/4 | 3-3/4 | 3/8 | .406 ⁺⁰¹⁵ / ₊₀₀₀ | 3.250 ⁺⁰⁰⁰ / _{-.004} | 3.750 ⁺⁰⁰⁹ / ₊₀₀₀ | 18.82 |
| DPU25-3.50-37 | 3-1/2 | 4 | 3/8 | .406 ⁺⁰¹⁵ / ₊₀₀₀ | 3.500 ⁺⁰⁰⁰ / _{-.004} | 4.000 ⁺⁰⁰⁹ / ₊₀₀₀ | 21.11 |
| DPU25-3.62-37 | 3-5/8 | 4-1/8 | 3/8 | .406 ⁺⁰¹⁵ / ₊₀₀₀ | 3.625 ⁺⁰⁰⁰ / _{-.004} | 4.125 ⁺⁰⁰⁹ / ₊₀₀₀ | 21.46 |
| DPU25-3.75-37 | 3-3/4 | 4-1/4 | 3/8 | .406 ⁺⁰¹⁵ / ₊₀₀₀ | 3.750 ⁺⁰⁰⁰ / _{-.004} | 4.250 ⁺⁰⁰⁹ / ₊₀₀₀ | 21.74 |
| DPU25-4.00-37 | 4 | 4-1/2 | 3/8 | .406 ⁺⁰¹⁵ / ₊₀₀₀ | 4.000 ⁺⁰⁰⁰ / _{-.004} | 4.500 ⁺⁰⁰⁹ / ₊₀₀₀ | 26.90 |
| DPU25-4.00-56 | 4 | 4-1/2 | 9/16 | .594 ⁺⁰¹⁵ / ₊₀₀₀ | 4.000 ⁺⁰⁰⁰ / _{-.004} | 4.500 ⁺⁰⁰⁹ / ₊₀₀₀ | 27.45 |
| DPU25-4.50-37 | 4-1/2 | 5 | 3/8 | .406 ⁺⁰¹⁵ / ₊₀₀₀ | 4.500 ⁺⁰⁰⁰ / _{-.004} | 5.000 ⁺⁰¹⁰ / ₊₀₀₀ | 27.97 |
| DPU25-4.50-43 | 4-1/2 | 5 | 7/16 | .468 ⁺⁰¹⁵ / ₊₀₀₀ | 4.500 ⁺⁰⁰⁰ / _{-.004} | 5.000 ⁺⁰¹⁰ / ₊₀₀₀ | 37.77 |
| DPU25-4.50-56 | 4-1/2 | 5 | 9/16 | .594 ⁺⁰¹⁵ / ₊₀₀₀ | 4.500 ⁺⁰⁰⁰ / _{-.004} | 5.000 ⁺⁰¹⁰ / ₊₀₀₀ | 29.46 |

FORMERLY LISTED SEALS ARE AVAILABLE ONLINE AT WWW.HERCULESUS.COM
OR BY CONTACTING YOUR REGIONAL HERCULES SALES TEAM.



STYLE DPU HEAVY DUTY PISTON U-SEALS

PISTON U-SEALS

| Part Number | A Nom. ID | B Nom. OD | C Nom. Ht | D GROOVE WIDTH | H GROOVE DIAMETER | J BORE DIAMETER | List Price |
|-------------------|--------------|--------------|--------------|--|--|---|---------------|
| DPU25-5.00-37 | 5 | 5-1/2 | 3/8 | .406 ^{+0.015} / _{+0.000} | 5.000 ^{+0.000} / _{-.004} | 5.500 ^{+0.010} / _{+0.000} | 29.71 |
| DPU25-5.00-56 | 5 | 5-1/2 | 9/16 | .594 ^{+0.015} / _{+0.000} | 5.000 ^{+0.000} / _{-.004} | 5.500 ^{+0.010} / _{+0.000} | 37.36 |
| DPU25-5.50-25 | 5-1/2 | 6 | 1/4 | .281 ^{+0.015} / _{+0.000} | 5.500 ^{+0.000} / _{-.004} | 6.000 ^{+0.010} / _{+0.000} | 37.36 |
| DPU25-5.50-37 | 5-1/2 | 6 | 3/8 | .406 ^{+0.015} / _{+0.000} | 5.500 ^{+0.000} / _{-.004} | 6.000 ^{+0.010} / _{+0.000} | 37.36 |
| DPU25-5.50-50 | 5-1/2 | 6 | 1/2 | .531 ^{+0.015} / _{+0.000} | 5.500 ^{+0.000} / _{-.004} | 6.000 ^{+0.010} / _{+0.000} | 37.36 |
| DPU25-5.50-56 | 5-1/2 | 6 | 9/16 | .594 ^{+0.015} / _{+0.000} | 5.500 ^{+0.000} / _{-.004} | 6.000 ^{+0.010} / _{+0.000} | 37.36 |
| 5/16" C/S | | | | | | | |
| DPU31-1.12-50 | 1-1/8 | 1-3/4 | 1/2 | .531 ^{+0.015} / _{+0.000} | 1.125 ^{+0.000} / _{-.003} | 1.750 ^{+0.007} / _{+0.000} | \$11.69 |
| DPU31-1.25-47 | 1-1/4 | 1-7/8 | .471 | .500 ^{+0.015} / _{+0.000} | 1.250 ^{+0.000} / _{-.003} | 1.875 ^{+0.007} / _{+0.000} | 12.13 |
| DPU31-1.37-37 | 1-3/8 | 2 | 3/8 | .406 ^{+0.015} / _{+0.000} | 1.375 ^{+0.000} / _{-.003} | 2.000 ^{+0.008} / _{+0.000} | 18.25 |
| DPU31-1.37-43 | 1-3/8 | 2 | 7/16 | .468 ^{+0.015} / _{+0.000} | 1.375 ^{+0.000} / _{-.003} | 2.000 ^{+0.008} / _{+0.000} | 13.72 |
| DPU31-1.37-44 | 1-3/8 | 2 | 7/16 | .468 ^{+0.015} / _{+0.000} | 1.375 ^{+0.000} / _{-.003} | 2.000 ^{+0.008} / _{+0.000} | 19.38 |
| DPU31-1.37-50 | 1-3/8 | 2 | 1/2 | .531 ^{+0.015} / _{+0.000} | 1.375 ^{+0.000} / _{-.003} | 2.000 ^{+0.008} / _{+0.000} | 13.72 |
| DPU31-1.62-50 | 1-5/8 | 2-1/4 | 1/2 | .531 ^{+0.015} / _{+0.000} | 1.625 ^{+0.000} / _{-.003} | 2.250 ^{+0.008} / _{+0.000} | 14.14 |
| DPU31-1.87-37 | 1-7/8 | 2-1/2 | 3/8 | .406 ^{+0.015} / _{+0.000} | 1.875 ^{+0.000} / _{-.003} | 2.500 ^{+0.008} / _{+0.000} | 14.58 |
| DPU31-1.87-50 | 1-7/8 | 2-1/2 | 1/2 | .531 ^{+0.015} / _{+0.000} | 1.875 ^{+0.000} / _{-.003} | 2.500 ^{+0.008} / _{+0.000} | 22.78 |
| DPU31-2.37-37 | 2-3/8 | 3 | 3/8 | .406 ^{+0.015} / _{+0.000} | 2.375 ^{+0.000} / _{-.003} | 3.000 ^{+0.008} / _{+0.000} | 18.05 |
| DPU31-2.37-50 | 2-3/8 | 3 | 1/2 | .531 ^{+0.015} / _{+0.000} | 2.375 ^{+0.000} / _{-.003} | 3.000 ^{+0.008} / _{+0.000} | 22.08 |
| DPU31-2.87-50 | 2-7/8 | 3-1/2 | 1/2 | .531 ^{+0.015} / _{+0.000} | 2.875 ^{+0.000} / _{-.003} | 3.500 ^{+0.009} / _{+0.000} | 22.39 |
| DPU31-3.37-37 | 3-3/8 | 4 | 3/8 | .406 ^{+0.015} / _{+0.000} | 3.375 ^{+0.000} / _{-.004} | 4.000 ^{+0.009} / _{+0.000} | 22.77 |
| DPU31-3.37-50 | 3-3/8 | 4 | 1/2 | .531 ^{+0.015} / _{+0.000} | 3.375 ^{+0.000} / _{-.004} | 4.000 ^{+0.009} / _{+0.000} | 22.77 |
| DPU31-3.62-37 | 3-5/8 | 4-1/4 | 3/8 | .406 ^{+0.015} / _{+0.000} | 3.625 ^{+0.000} / _{-.004} | 4.250 ^{+0.009} / _{+0.000} | 23.86 |
| DPU31-3.62-50 | 3-5/8 | 4-1/4 | 1/2 | .531 ^{+0.015} / _{+0.000} | 3.625 ^{+0.000} / _{-.004} | 4.250 ^{+0.009} / _{+0.000} | 23.86 |
| DPU31-3.87-50 | 3-7/8 | 4-1/2 | 1/2 | .531 ^{+0.015} / _{+0.000} | 3.875 ^{+0.000} / _{-.004} | 4.500 ^{+0.009} / _{+0.000} | 26.90 |
| DPU31-5.37-50 | 5-3/8 | 6 | 1/2 | .531 ^{+0.015} / _{+0.000} | 5.375 ^{+0.000} / _{-.004} | 6.000 ^{+0.010} / _{+0.000} | 43.71 |
| .3205" C/S | | | | | | | |
| DPU32-1.62-39 | 1-5/8 | 2.266 | .39 | .421 ^{+0.015} / _{+0.000} | 1.625 ^{+0.000} / _{-.003} | 2.266 ^{+0.008} / _{+0.000} | \$15.60 |
| 3/8" C/S | | | | | | | |
| DPU37-1.75-62 | 1-3/4 | 2-1/2 | 5/8 | .656 ^{+0.015} / _{+0.000} | 1.750 ^{+0.000} / _{-.003} | 2.500 ^{+0.008} / _{+0.000} | \$17.67 |
| DPU37-2.25-62 | 2-1/4 | 3 | 5/8 | .656 ^{+0.015} / _{+0.000} | 2.250 ^{+0.000} / _{-.003} | 3.000 ^{+0.008} / _{+0.000} | 19.41 |
| DPU37-2.50-62 | 2-1/2 | 3-1/4 | 5/8 | .656 ^{+0.015} / _{+0.000} | 2.500 ^{+0.000} / _{-.003} | 3.250 ^{+0.009} / _{+0.000} | 36.92 |
| DPU37-2.75-37 | 2-3/4 | 3-1/2 | 3/8 | .406 ^{+0.015} / _{+0.000} | 2.750 ^{+0.000} / _{-.003} | 3.500 ^{+0.009} / _{+0.000} | 20.63 |
| DPU37-2.75-62 | 2-3/4 | 3-1/2 | 5/8 | .656 ^{+0.015} / _{+0.000} | 2.750 ^{+0.000} / _{-.003} | 3.500 ^{+0.009} / _{+0.000} | 25.00 |
| DPU37-3.00-37 | 3 | 3-3/4 | 3/8 | .406 ^{+0.015} / _{+0.000} | 3.000 ^{+0.000} / _{-.004} | 3.750 ^{+0.009} / _{+0.000} | 24.67 |

NORTH AMERICA
PHONE 1-800-777-5617
FAX 1-800-759-6391

SALES OFFICE HOURS
8 A.M. TO 7:30 P.M. EASTERN TIME
www.HerculesUS.com

WORLDWIDE
PHONE 1-727-796-1300
FAX 1-727-797-8849

STYLE DPU HEAVY DUTY PISTON U-SEALS

PISTON U-SEALS

| Part Number | A Nom. ID | B Nom. OD | C Nom. Ht | D GROOVE WIDTH | H GROOVE DIAMETER | J BORE DIAMETER | List Price |
|------------------|--------------|--------------|--------------|--|--|---|---------------|
| DPU37-3.00-47-AN | 3 | 3-3/4 | .469 | .500 ⁺⁰¹⁵ / ₊₀₀₀ | 3.000 ⁺⁰⁰⁰ / _{-.004} | 3.750 ⁺⁰⁰⁹ / ₊₀₀₀ | 24.67 |
| DPU37-3.00-50 | 3 | 3-3/4 | 1/2 | .531 ⁺⁰¹⁵ / ₊₀₀₀ | 3.000 ⁺⁰⁰⁰ / _{-.004} | 3.750 ⁺⁰⁰⁹ / ₊₀₀₀ | 21.19 |
| DPU37-3.25-37 | 3-1/4 | 4 | 3/8 | .406 ⁺⁰¹⁵ / ₊₀₀₀ | 3.250 ⁺⁰⁰⁰ / _{-.004} | 4.000 ⁺⁰⁰⁹ / ₊₀₀₀ | 21.77 |
| DPU37-3.25-50 | 3-1/4 | 4 | 1/2 | .531 ⁺⁰¹⁵ / ₊₀₀₀ | 3.250 ⁺⁰⁰⁰ / _{-.004} | 4.000 ⁺⁰⁰⁹ / ₊₀₀₀ | 22.52 |
| DPU37-3.25-62 | 3-1/4 | 4 | 5/8 | .656 ⁺⁰¹⁵ / ₊₀₀₀ | 3.250 ⁺⁰⁰⁰ / _{-.004} | 4.000 ⁺⁰⁰⁹ / ₊₀₀₀ | 22.52 |
| DPU37-3.50-37 | 3-1/2 | 4-1/4 | 3/8 | .406 ⁺⁰¹⁵ / ₊₀₀₀ | 3.500 ⁺⁰⁰⁰ / _{-.004} | 4.250 ⁺⁰⁰⁹ / ₊₀₀₀ | 22.91 |
| DPU37-3.75-37 | 3-3/4 | 4-1/2 | 3/8 | .406 ⁺⁰¹⁵ / ₊₀₀₀ | 3.750 ⁺⁰⁰⁰ / _{-.004} | 4.500 ⁺⁰⁰⁹ / ₊₀₀₀ | 27.37 |
| DPU37-3.75-50 | 3-3/4 | 4-1/2 | 1/2 | .531 ⁺⁰¹⁵ / ₊₀₀₀ | 3.750 ⁺⁰⁰⁰ / _{-.004} | 4.500 ⁺⁰⁰⁹ / ₊₀₀₀ | 27.37 |
| DPU37-3.75-62 | 3-3/4 | 4-1/2 | 5/8 | .656 ⁺⁰¹⁵ / ₊₀₀₀ | 3.750 ⁺⁰⁰⁰ / _{-.004} | 4.500 ⁺⁰⁰⁹ / ₊₀₀₀ | 27.37 |
| DPU37-4.25-37 | 4-1/4 | 5 | 3/8 | .406 ⁺⁰¹⁵ / ₊₀₀₀ | 4.250 ⁺⁰⁰⁰ / _{-.004} | 5.000 ⁺⁰¹⁰ / ₊₀₀₀ | 27.48 |
| DPU37-4.25-50 | 4-1/4 | 5 | 1/2 | .531 ⁺⁰¹⁵ / ₊₀₀₀ | 4.250 ⁺⁰⁰⁰ / _{-.004} | 5.000 ⁺⁰¹⁰ / ₊₀₀₀ | 27.48 |
| DPU37-4.25-62 | 4-1/4 | 5 | 5/8 | .656 ⁺⁰¹⁵ / ₊₀₀₀ | 4.250 ⁺⁰⁰⁰ / _{-.004} | 5.000 ⁺⁰¹⁰ / ₊₀₀₀ | 28.46 |
| DPU37-4.37-50 | 4-3/8 | 5-1/8 | 1/2 | .531 ⁺⁰¹⁵ / ₊₀₀₀ | 4.375 ⁺⁰⁰⁰ / _{-.004} | 5.125 ⁺⁰¹⁰ / ₊₀₀₀ | 28.70 |
| DPU37-4.50-37 | 4-1/2 | 5-1/4 | 3/8 | .406 ⁺⁰¹⁵ / ₊₀₀₀ | 4.500 ⁺⁰⁰⁰ / _{-.004} | 5.250 ⁺⁰¹⁰ / ₊₀₀₀ | 29.71 |
| DPU37-4.50-50 | 4-1/2 | 5-1/4 | 1/2 | .531 ⁺⁰¹⁵ / ₊₀₀₀ | 4.500 ⁺⁰⁰⁰ / _{-.004} | 5.250 ⁺⁰¹⁰ / ₊₀₀₀ | 31.09 |
| DPU37-4.50-62 | 4-1/2 | 5-1/4 | 5/8 | .656 ⁺⁰¹⁵ / ₊₀₀₀ | 4.500 ⁺⁰⁰⁰ / _{-.004} | 5.250 ⁺⁰¹⁰ / ₊₀₀₀ | 33.43 |
| DPU37-4.75-50 | 4-3/4 | 5-1/2 | 1/2 | .531 ⁺⁰¹⁵ / ₊₀₀₀ | 4.750 ⁺⁰⁰⁰ / _{-.004} | 5.500 ⁺⁰¹⁰ / ₊₀₀₀ | 34.92 |
| DPU37-4.75-62 | 4-3/4 | 5-1/2 | 5/8 | .656 ⁺⁰¹⁵ / ₊₀₀₀ | 4.750 ⁺⁰⁰⁰ / _{-.004} | 5.500 ⁺⁰¹⁰ / ₊₀₀₀ | 34.92 |
| DPU37-5.00-50 | 5 | 5-3/4 | 1/2 | .531 ⁺⁰¹⁵ / ₊₀₀₀ | 5.000 ⁺⁰⁰⁰ / _{-.004} | 5.750 ⁺⁰¹⁰ / ₊₀₀₀ | 36.26 |
| DPU37-5.25-37 | 5-1/4 | 6 | 3/8 | .406 ⁺⁰¹⁵ / ₊₀₀₀ | 5.250 ⁺⁰⁰⁰ / _{-.004} | 6.000 ⁺⁰¹⁰ / ₊₀₀₀ | 43.71 |
| DPU37-5.25-50 | 5-1/4 | 6 | 1/2 | .531 ⁺⁰¹⁵ / ₊₀₀₀ | 5.250 ⁺⁰⁰⁰ / _{-.004} | 6.000 ⁺⁰¹⁰ / ₊₀₀₀ | 43.71 |
| DPU37-5.25-62 | 5-1/4 | 6 | 5/8 | .656 ⁺⁰¹⁵ / ₊₀₀₀ | 5.250 ⁺⁰⁰⁰ / _{-.004} | 6.000 ⁺⁰¹⁰ / ₊₀₀₀ | 43.71 |
| DPU37-5.50-37 | 5-1/2 | 6-1/4 | 3/8 | .406 ⁺⁰¹⁵ / ₊₀₀₀ | 5.500 ⁺⁰⁰⁰ / _{-.004} | 6.250 ⁺⁰¹⁰ / ₊₀₀₀ | 44.09 |
| DPU37-5.75-37 | 5-3/4 | 6-1/2 | 3/8 | .406 ⁺⁰¹⁵ / ₊₀₀₀ | 5.750 ⁺⁰⁰⁰ / _{-.004} | 6.500 ⁺⁰¹⁰ / ₊₀₀₀ | 44.39 |
| DPU37-5.75-62 | 5-3/4 | 6-1/2 | 5/8 | .656 ⁺⁰¹⁵ / ₊₀₀₀ | 5.750 ⁺⁰⁰⁰ / _{-.004} | 6.500 ⁺⁰¹⁰ / ₊₀₀₀ | 44.39 |
| DPU37-6.00-50 | 6 | 6-3/4 | 1/2 | .531 ⁺⁰¹⁵ / ₊₀₀₀ | 6.000 ⁺⁰⁰⁰ / _{-.004} | 6.750 ⁺⁰¹⁰ / ₊₀₀₀ | 53.83 |
| DPU37-6.25-37 | 6-1/4 | 7 | 3/8 | .406 ⁺⁰¹⁵ / ₊₀₀₀ | 6.250 ⁺⁰⁰⁰ / _{-.004} | 7.000 ⁺⁰¹¹ / ₊₀₀₀ | 54.89 |
| DPU37-6.25-50 | 6-1/4 | 7 | 1/2 | .531 ⁺⁰¹⁵ / ₊₀₀₀ | 6.250 ⁺⁰⁰⁰ / _{-.004} | 7.000 ⁺⁰¹¹ / ₊₀₀₀ | 63.28 |
| DPU37-6.25-62 | 6-1/4 | 7 | 5/8 | .656 ⁺⁰¹⁵ / ₊₀₀₀ | 6.250 ⁺⁰⁰⁰ / _{-.004} | 7.000 ⁺⁰¹¹ / ₊₀₀₀ | 65.34 |
| DPU37-6.50-62 | 6-1/2 | 7-1/4 | 5/8 | .656 ⁺⁰¹⁵ / ₊₀₀₀ | 6.500 ⁺⁰⁰⁰ / _{-.004} | 7.250 ⁺⁰¹¹ / ₊₀₀₀ | 66.64 |
| DPU37-6.75-50 | 6-3/4 | 7-1/2 | 1/2 | .531 ⁺⁰¹⁵ / ₊₀₀₀ | 6.750 ⁺⁰⁰⁰ / _{-.004} | 7.500 ⁺⁰¹¹ / ₊₀₀₀ | 69.52 |
| DPU37-7.25-37 | 7-1/4 | 8 | 3/8 | .406 ⁺⁰¹⁵ / ₊₀₀₀ | 7.250 ⁺⁰⁰⁰ / _{-.005} | 8.000 ⁺⁰¹¹ / ₊₀₀₀ | 75.04 |
| DPU37-7.25-50 | 7-1/4 | 8 | 1/2 | .531 ⁺⁰¹⁵ / ₊₀₀₀ | 7.250 ⁺⁰⁰⁰ / _{-.005} | 8.000 ⁺⁰¹¹ / ₊₀₀₀ | 75.04 |

FORMERLY LISTED SEALS ARE AVAILABLE ONLINE AT WWW.HERCULESUS.COM
OR BY CONTACTING YOUR REGIONAL HERCULES SALES TEAM.



STYLE DPU HEAVY DUTY PISTON U-SEALS

PISTON U-SEALS

| Part Number | A Nom. ID | B Nom. OD | C Nom. Ht | D GROOVE WIDTH | H GROOVE DIAMETER | J BORE DIAMETER | List Price |
|------------------|--------------|--------------|--------------|--|---|--|---------------|
| DPU37-7.25-62 | 7-1/4 | 8 | 5/8 | .656 ^{+0.015} / _{+0.000} | 7.250 ^{+0.000} / _{-.005} | 8.000 ^{+0.011} / _{+0.000} | 75.04 |
| .383" C/S | | | | | | | |
| DPU38-2.00-48 | 2 | 2.766 | .486 | .517 ^{+0.015} / _{+0.000} | 2.000 ^{+0.000} / _{-.003} | 2.766 ^{+0.008} / _{+0.000} | \$21.65 |
| DPU38-2.50-48 | 2-1/2 | 3.266 | .486 | .517 ^{+0.015} / _{+0.000} | 2.500 ^{+0.000} / _{-.003} | 3.266 ^{+0.009} / _{+0.000} | 24.58 |
| 1/2" C/S | | | | | | | |
| DPU50-4.12-59 | 4-1/8 | 5-1/8 | 19/32 | .649 ^{+0.015} / _{+0.000} | 4.125 ^{+0.000} / _{-.004} | 5.125 ^{+0.010} / _{+0.000} | \$34.30 |
| DPU50-5.00-50 | 5 | 6 | 1/2 | .531 ^{+0.015} / _{+0.000} | 5.000 ^{+0.000} / _{-.004} | 6.000 ^{+0.010} / _{+0.000} | 51.92 |
| DPU50-5.25-62 | 5-1/4 | 6-1/4 | 5/8 | .656 ^{+0.015} / _{+0.000} | 5.250 ^{+0.000} / _{-.004} | 6.250 ^{+0.010} / _{+0.000} | 47.06 |
| DPU50-5.50-62 | 5-1/2 | 6-1/2 | 5/8 | .656 ^{+0.015} / _{+0.000} | 5.500 ^{+0.000} / _{-.004} | 6.500 ^{+0.010} / _{+0.000} | 47.93 |
| DPU50-6.00-75 | 6 | 7 | 3/4 | .781 ^{+0.015} / _{+0.000} | 6.000 ^{+0.000} / _{-.004} | 7.000 ^{+0.011} / _{+0.000} | 56.11 |
| DPU50-6.50-62 | 6-1/2 | 7-1/2 | 5/8 | .656 ^{+0.015} / _{+0.000} | 6.500 ^{+0.000} / _{-.004} | 7.500 ^{+0.011} / _{+0.000} | 70.07 |
| DPU50-6.50-75 | 6-1/2 | 7-1/2 | 3/4 | .781 ^{+0.015} / _{+0.000} | 6.500 ^{+0.000} / _{-.004} | 7.500 ^{+0.011} / _{+0.000} | 70.07 |
| DPU50-7.00-50 | 7 | 8 | 1/2 | .531 ^{+0.015} / _{+0.000} | 7.000 ^{+0.000} / _{-.005} | 8.000 ^{+0.011} / _{+0.000} | 87.94 |
| DPU50-7.00-75 | 7 | 8 | 3/4 | .781 ^{+0.015} / _{+0.000} | 7.000 ^{+0.000} / _{-.005} | 8.000 ^{+0.011} / _{+0.000} | 75.04 |
| DPU50-7.50-62 | 7-1/2 | 8-1/2 | 5/8 | .656 ^{+0.015} / _{+0.000} | 7.500 ^{+0.000} / _{-.005} | 8.500 ^{+0.011} / _{+0.000} | 78.43 |
| DPU50-7.50-75 | 7-1/2 | 8-1/2 | 3/4 | .781 ^{+0.015} / _{+0.000} | 7.500 ^{+0.000} / _{-.005} | 8.500 ^{+0.011} / _{+0.000} | 81.98 |
| DPU50-8.00-75 | 8 | 9 | 3/4 | .781 ^{+0.015} / _{+0.000} | 8.000 ^{+0.000} / _{-.005} | 9.000 ^{+0.012} / _{+0.000} | 85.40 |
| DPU50-9.00-62 | 9 | 10 | 5/8 | .656 ^{+0.015} / _{+0.000} | 9.000 ^{+0.000} / _{-.005} | 10.000 ^{+0.012} / _{+0.000} | 108.78 |
| DPU50-9.00-75 | 9 | 10 | 3/4 | .781 ^{+0.015} / _{+0.000} | 9.000 ^{+0.000} / _{-.005} | 10.000 ^{+0.012} / _{+0.000} | 112.57 |
| DPU50-10.00-62 | 10 | 11 | 5/8 | .656 ^{+0.015} / _{+0.000} | 10.000 ^{+0.000} / _{-.006} | 11.000 ^{+0.012} / _{+0.000} | 194.20 |
| DPU50-10.00-75 | 10 | 11 | 3/4 | .781 ^{+0.015} / _{+0.000} | 10.000 ^{+0.000} / _{-.006} | 11.000 ^{+0.012} / _{+0.000} | 124.84 |
| DPU50-11.00-62 | 11 | 12 | 5/8 | .656 ^{+0.015} / _{+0.000} | 11.000 ^{+0.000} / _{-.006} | 12.000 ^{+0.012} / _{+0.000} | 138.09 |
| DPU50-11.00-75 | 11 | 12 | 3/4 | .781 ^{+0.015} / _{+0.000} | 11.000 ^{+0.000} / _{-.006} | 12.000 ^{+0.012} / _{+0.000} | 186.93 |
| 5/8" C/S | | | | | | | |
| DPU62-3.50-56 | 3-1/2 | 4-3/4 | 9/16 | .594 ^{+0.015} / _{+0.000} | 3.500 ^{+0.000} / _{-.004} | 4.750 ^{+0.009} / _{+0.000} | \$56.09 |
| DPU62-9.25-75 | 9-1/4 | 10-1/2 | 3/4 | .781 ^{+0.015} / _{+0.000} | 9.250 ^{+0.000} / _{-.005} | 10.500 ^{+0.012} / _{+0.000} | 118.95 |

Seal color may vary. Special order sizes are available. Sizes not shown and out of stock items can also be ordered for next day delivery through Seals On Demand, our custom seal program. Please call your regional sales team for assistance.

NORTH AMERICA
PHONE 1-800-777-5617
FAX 1-800-759-6391

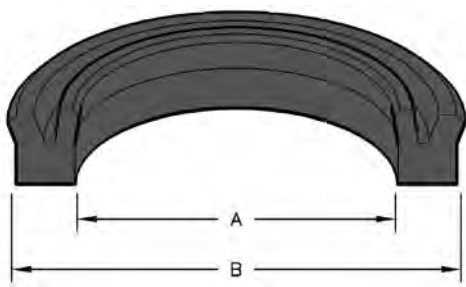
SALES OFFICE HOURS
8 A.M. TO 7:30 P.M. EASTERN TIME
www.HerculesUS.com

WORLDWIDE
PHONE 1-727-796-1300
FAX 1-727-797-8849

NEW FOR 2015

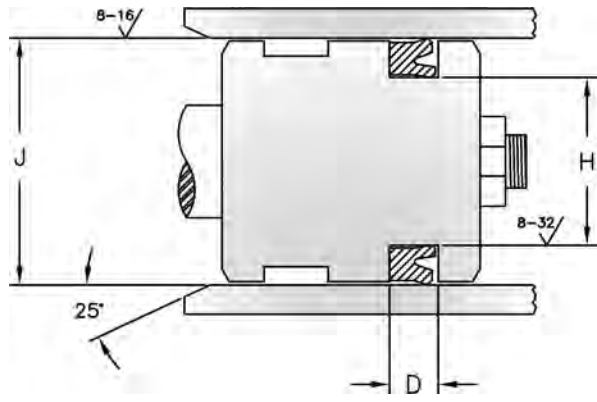
STYLE DPU-BHT HEAVY DUTY PISTON U-SEALS

Style DPU-BHT piston seals are molded in Freudenberg® AU 30000 urethane. Specifically designed as piston seals, these u-seals are engineered to seal on their outside diameter. They offer extended service life and maximum reliability in piston sealing. This high tear-resistant urethane demonstrates stability throughout a wide range of temperatures. In addition, this material is well suited to mineral and biodegradable hydraulic fluids as well as being resistant to hydrolysis.



HERCULES PART NUMBERS
DPU 18 - 2.12 - 18 BHT
 Type of Seal Cross Section Inside Diameter Height

| SEAL INFORMATION | |
|-------------------|----------------|
| MATERIAL | 94A URETHANE |
| TEMPERATURE RANGE | -31°F TO 250°F |
| PRESSURE RANGE | 0 TO 7250 PSI |
| SPEED | 1.5 FT/SEC |



PISTON U-SEALS

| Part Number | A Nom. ID | B Nom. OD | C Nom. Ht | D GROOVE WIDTH | H GROOVE DIAMETER | J BORE DIAMETER | List Price |
|-------------------|-----------|-----------|-----------|--|--|---|------------|
| 3/16" C/S | | | | | | | |
| DPU18-2.12-18-BHT | 2-1/8 | 2-1/2 | 3/16 | .217 ^{+0.015} / _{+0.000} | 2.125 ^{+0.000} / _{-.003} | 2.500 ^{+0.008} / _{+0.000} | \$20.34 |
| DPU18-2.12-31-BHT | 2-1/8 | 2-1/2 | 5/16 | .343 ^{+0.015} / _{+0.000} | 2.125 ^{+0.000} / _{-.003} | 2.500 ^{+0.008} / _{+0.000} | 20.34 |
| DPU18-2.12-37-BHT | 2-1/8 | 2-1/2 | 3/8 | .406 ^{+0.015} / _{+0.000} | 2.125 ^{+0.000} / _{-.003} | 2.500 ^{+0.008} / _{+0.000} | 20.34 |
| 1/4" C/S | | | | | | | |
| DPU25-1.50-37-BHT | 1-1/2 | 2 | 3/8 | .406 ^{+0.015} / _{+0.000} | 1.500 ^{+0.000} / _{-.003} | 2.000 ^{+0.008} / _{+0.000} | \$15.20 |
| DPU25-2.00-37-BHT | 2 | 2-1/2 | 3/8 | .406 ^{+0.015} / _{+0.000} | 2.000 ^{+0.000} / _{-.003} | 2.500 ^{+0.008} / _{+0.000} | 20.34 |
| DPU25-2.50-37-BHT | 2-1/2 | 3 | 3/8 | .406 ^{+0.015} / _{+0.000} | 2.500 ^{+0.000} / _{-.003} | 3.000 ^{+0.008} / _{+0.000} | 22.60 |
| DPU25-3.00-37-BHT | 3 | 3-1/2 | 3/8 | .406 ^{+0.015} / _{+0.000} | 3.000 ^{+0.000} / _{-.004} | 3.500 ^{+0.009} / _{+0.000} | 24.99 |
| DPU25-3.50-37-BHT | 3-1/2 | 4 | 3/8 | .406 ^{+0.015} / _{+0.000} | 3.500 ^{+0.000} / _{-.004} | 4.000 ^{+0.009} / _{+0.000} | 29.56 |
| DPU25-4.00-37-BHT | 4 | 4-1/2 | 3/8 | .406 ^{+0.015} / _{+0.000} | 4.000 ^{+0.000} / _{-.004} | 4.500 ^{+0.009} / _{+0.000} | 36.91 |
| DPU25-4.50-37-BHT | 4-1/2 | 5 | 3/8 | .406 ^{+0.015} / _{+0.000} | 4.500 ^{+0.000} / _{-.004} | 5.000 ^{+0.010} / _{+0.000} | 41.97 |
| 3/8" C/S | | | | | | | |

FORMERLY LISTED SEALS ARE AVAILABLE ONLINE AT WWW.HERCULESUS.COM
 OR BY CONTACTING YOUR REGIONAL HERCULES SALES TEAM.



STYLE DPU-BHT HEAVY DUTY PISTON U-SEALS

| Part Number | A Nom. ID | B Nom. OD | C Nom. Ht | D GROOVE WIDTH | H GROOVE DIAMETER | J BORE DIAMETER | List Price |
|-------------------|--------------|--------------|--------------|--|--|---|---------------|
| DPU37-3.25-37-BHT | 3-1/4 | 4 | 3/8 | .406 ⁺⁰¹⁵ / ₊₀₀₀ | 3.250 ⁺⁰⁰⁰ / _{-.004} | 4.000 ⁺⁰⁰⁹ / ₊₀₀₀ | \$29.56 |
| DPU37-3.75-62-BHT | 3-3/4 | 4-1/2 | 5/8 | .656 ⁺⁰¹⁵ / ₊₀₀₀ | 3.750 ⁺⁰⁰⁰ / _{-.004} | 4.500 ⁺⁰⁰⁹ / ₊₀₀₀ | 36.91 |
| DPU37-4.25-37-BHT | 4-1/4 | 5 | 3/8 | .406 ⁺⁰¹⁵ / ₊₀₀₀ | 4.250 ⁺⁰⁰⁰ / _{-.004} | 5.000 ⁺⁰¹⁰ / ₊₀₀₀ | 41.97 |
| DPU37-4.25-50-BHT | 4-1/4 | 5 | 1/2 | .531 ⁺⁰¹⁵ / ₊₀₀₀ | 4.250 ⁺⁰⁰⁰ / _{-.004} | 5.000 ⁺⁰¹⁰ / ₊₀₀₀ | 41.97 |
| DPU37-5.25-37-BHT | 5-1/4 | 6 | 3/8 | .406 ⁺⁰¹⁵ / ₊₀₀₀ | 5.250 ⁺⁰⁰⁰ / _{-.004} | 6.000 ⁺⁰¹⁰ / ₊₀₀₀ | 55.03 |
| DPU37-5.25-50-BHT | 5-1/4 | 6 | 1/2 | .531 ⁺⁰¹⁵ / ₊₀₀₀ | 5.250 ⁺⁰⁰⁰ / _{-.004} | 6.000 ⁺⁰¹⁰ / ₊₀₀₀ | 55.03 |

PISTON U-SEALS

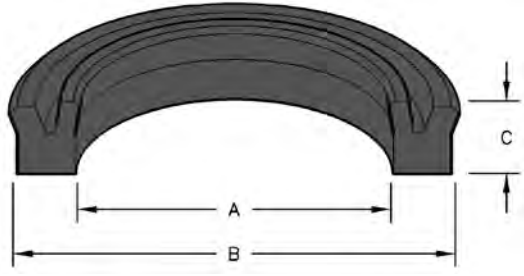
NORTH AMERICA
PHONE 1-800-777-5617
FAX 1-800-759-6391

SALES OFFICE HOURS
8 A.M. TO 7:30 P.M. EASTERN TIME
www.HerculesUS.com

WORLDWIDE
PHONE 1-727-796-1300
FAX 1-727-797-8849

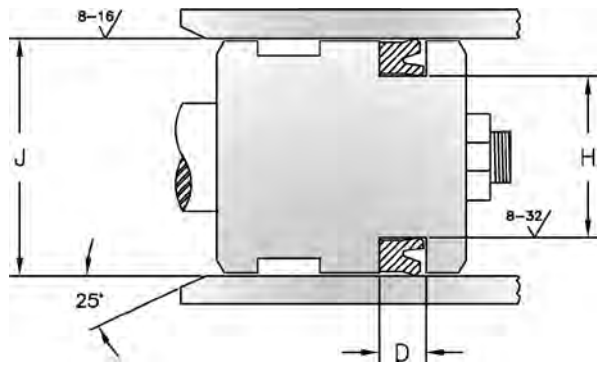
STYLE PU URETHANE PISTON U-SEALS

Style PU seals are molded from high quality urethane and designed specifically for piston applications.



HERCULES PART NUMBERS
PU 12 - 1.25 - 25
 Type of Seal | Cross Section | Inside Diameter | Height

| SEAL INFORMATION | |
|-------------------|-----------------|
| MATERIAL | 90A URETHANE |
| TEMPERATURE RANGE | -40° TO +225° F |
| PRESSURE RANGE | 0 TO 5,000 PSI |
| SPEED | 3 FT/SEC |



PISTON U-SEALS

| Part Number | A Nom. ID | B Nom. OD | C Nom. Ht | D GROOVE WIDTH | H GROOVE DIAMETER | J BORE DIAMETER | List Price |
|-------------------|-----------|-----------|-----------|--|--|---|------------|
| 1/8" C/S | | | | | | | |
| PU12-1.25-25 | 1-1/4 | 1-1/2 | 1/4 | .275 ^{+0.010} / _{+0.000} | 1.250 ^{+0.000} / _{-.002} | 1.500 ^{+0.002} / _{+0.000} | \$5.98 |
| 3/16" C/S | | | | | | | |
| PU18-0.75-31 | 3/4 | 1-1/8 | 5/16 | .344 ^{+0.010} / _{+0.000} | .750 ^{+0.000} / _{-.002} | 1.125 ^{+0.002} / _{+0.000} | \$6.60 |
| PU18-1.62-31 | 1-5/8 | 2 | 5/16 | .344 ^{+0.010} / _{+0.000} | 1.625 ^{+0.000} / _{-.002} | 2.000 ^{+0.002} / _{+0.000} | 9.32 |
| PU18-2.12-25 | 2-1/8 | 2-1/2 | 1/4 | .275 ^{+0.010} / _{+0.000} | 2.125 ^{+0.000} / _{-.002} | 2.500 ^{+0.002} / _{+0.000} | 11.34 |
| PU18-2.12-37 | 2-1/8 | 2-1/2 | 3/8 | .413 ^{+0.010} / _{+0.000} | 2.125 ^{+0.000} / _{-.002} | 2.500 ^{+0.002} / _{+0.000} | 11.22 |
| PU18-2.62-37 | 2-5/8 | 3 | 3/8 | .413 ^{+0.010} / _{+0.000} | 2.625 ^{+0.000} / _{-.002} | 3.000 ^{+0.002} / _{+0.000} | 11.32 |
| 1/4" C/S | | | | | | | |
| PU25-2.00-25 | 2 | 2-1/2 | 1/4 | .275 ^{+0.010} / _{+0.000} | 2.000 ^{+0.000} / _{-.003} | 2.500 ^{+0.003} / _{+0.000} | \$11.07 |
| PU25-3.00-37 | 3 | 3-1/2 | 3/8 | .413 ^{+0.010} / _{+0.000} | 3.000 ^{+0.000} / _{-.003} | 3.500 ^{+0.003} / _{+0.000} | 18.32 |
| PU25-3.50-37 | 3-1/2 | 4 | 3/8 | .413 ^{+0.010} / _{+0.000} | 3.500 ^{+0.000} / _{-.003} | 4.000 ^{+0.003} / _{+0.000} | 19.29 |
| PU25-4.50-37 | 4-1/2 | 5 | 3/8 | .413 ^{+0.010} / _{+0.000} | 4.500 ^{+0.000} / _{-.003} | 5.000 ^{+0.003} / _{+0.000} | 20.50 |
| .2955" C/S | | | | | | | |
| PU29-1.61-38 | 1.614 | 2.205 | .38 | .425 ^{+0.016} / _{+0.000} | 1.614 ^{+0.000} / _{-.002} | 2.205 ^{+0.002} / _{+0.000} | \$30.54 |
| 3/8" C/S | | | | | | | |

FORMERLY LISTED SEALS ARE AVAILABLE ONLINE AT WWW.HERCULESUS.COM
 OR BY CONTACTING YOUR REGIONAL HERCULES SALES TEAM.



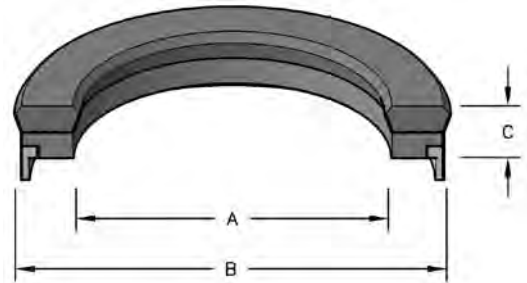
STYLE PU URETHANE PISTON U-SEALS

PISTON U-SEALS

| Part Number | A Nom. ID | B Nom. OD | C Nom. Ht | D GROOVE WIDTH | H GROOVE DIAMETER | J BORE DIAMETER | List Price |
|-----------------|--------------|--------------|--------------|--|--|---|---------------|
| PU37-5.25-50 | 5-1/4 | 6 | 1/2 | .550 ⁺⁰¹⁰ / ₊₀₀₀ | 5.250 ⁺⁰⁰⁰ / _{-.005} | 6.000 ⁺⁰⁰⁴ / ₊₀₀₀ | \$25.60 |
| 1/2" C/S | | | | | | | |
| PU50-2.00-50 | 2 | 3 | 1/2 | .550 ⁺⁰¹⁰ / ₊₀₀₀ | 2.000 ⁺⁰⁰⁰ / _{-.007} | 3.000 ⁺⁰⁰⁵ / ₊₀₀₀ | \$32.03 |
| PU50-2.25-50 | 2-1/4 | 3-1/4 | 1/2 | .550 ⁺⁰¹⁰ / ₊₀₀₀ | 2.250 ⁺⁰⁰⁰ / _{-.007} | 3.250 ⁺⁰⁰⁵ / ₊₀₀₀ | 38.98 |
| PU50-3.00-50 | 3 | 4 | 1/2 | .550 ⁺⁰¹⁰ / ₊₀₀₀ | 3.000 ⁺⁰⁰⁰ / _{-.007} | 4.000 ⁺⁰⁰⁵ / ₊₀₀₀ | 44.19 |

STYLE UFN PISTON SEALS

Constructed of a rubber seal lip with a rubberized fabric heel, these seals feature a polyacetal bearing ring or a polyacetal anti-extrusion ring. These seals offer excellent sealing ability and high pressure capability. They are commonly used with the SR retention rings.

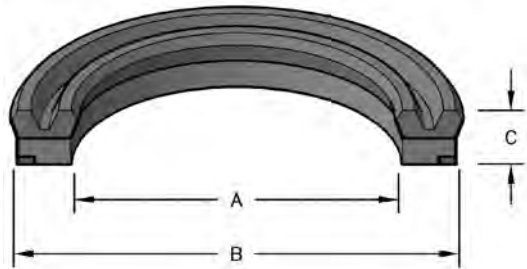


HERCULES PART NUMBERS

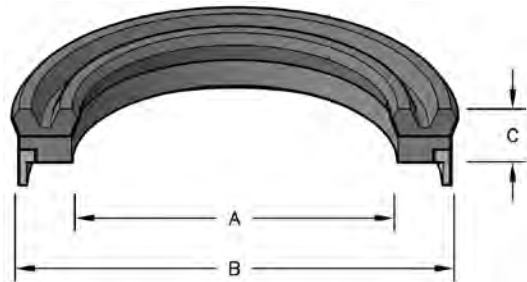
UFN 25 - 1.00 - 37 UWO

Type of Seal | Cross Section | Inside Diameter | Height

UFN-PWO

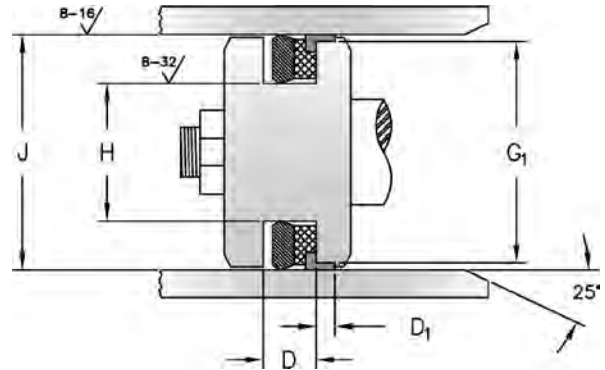


UFN-UEO



UFN-UWO

| SEAL INFORMATION | |
|-------------------|------------------------|
| MATERIAL | RUBBER, FABRIC, ACETAL |
| TEMPERATURE RANGE | -22° TO +212° F |
| PRESSURE RANGE | 0 TO 5,800 PSI |
| SPEED | 1.5 FT/SEC |



PISTON U-SEALS

| Part Number | A Nom. ID | B Nom. OD | C Nom. Ht | D GROOVE WIDTH | D ₁ BEARING GROOVE WIDTH | G ₁ BEARING GROOVE DIAMETER | H GROOVE DIAMETER | J BORE DIAMETER | List Price |
|------------------|-----------|-----------|-----------|--|--|--|-------------------|---|------------|
| 1/4" C/S | | | | | | | | | |
| UFN25-1.00-37UWO | 1 | 1-1/2 | 3/8 | .390 ^{+0.010} / _{+0.000} | .250 ^{+0.004} / _{+0.000} | 1.360 ±.002 | 1.000 ±.003 | 1.500 ^{+0.004} / _{+0.000} | \$8.53 |
| UFN25-2.00-31PWO | 2 | 2-1/2 | 5/16 | .327 ^{+0.010} / _{+0.000} | .250 ^{+0.004} / _{+0.000} | 2.360 ±.002 | 2.000 ±.004 | 2.500 ^{+0.005} / _{+0.000} | 15.05 |
| .271" C/S | | | | | | | | | |
| UFN27-0.87-46UWO | 7/8 | 1.417 | 15/32 | .483 ^{+0.010} / _{+0.000} | .250 ^{+0.004} / _{+0.000} | 1.277 ±.002 | .875 ±.003 | 1.417 ^{+0.004} / _{+0.000} | \$7.41 |
| 5/16" C/S | | | | | | | | | |
| UFN31-1.12-43PWO | 1-1/8 | 1-3/4 | 7/16 | .452 ^{+0.010} / _{+0.000} | .250 ^{+0.004} / _{+0.000} | 1.570 ±.002 | 1.125 ±.003 | 1.750 ^{+0.004} / _{+0.000} | \$9.46 |
| UFN31-1.16-46UWO | 1.161 | 1.786 | 15/32 | .483 ^{+0.010} / _{+0.000} | .250 ^{+0.004} / _{+0.000} | 1.606 ±.002 | 1.161 ±.003 | 1.786 ^{+0.004} / _{+0.000} | 7.92 |
| UFN31-1.37-37PWO | 1-3/8 | 2 | 3/8 | .390 ^{+0.010} / _{+0.000} | .250 ^{+0.004} / _{+0.000} | 1.820 ±.002 | 1.375 ±.003 | 2.000 ^{+0.005} / _{+0.000} | 10.58 |
| UFN31-1.37-37UWO | 1-3/8 | 2 | 3/8 | .390 ^{+0.010} / _{+0.000} | .250 ^{+0.004} / _{+0.000} | 1.820 ±.002 | 1.375 ±.003 | 2.000 ^{+0.005} / _{+0.000} | 10.21 |
| UFN31-1.37-43PWO | 1-3/8 | 2 | 7/16 | .452 ^{+0.010} / _{+0.000} | .250 ^{+0.004} / _{+0.000} | 1.820 ±.002 | 1.375 ±.003 | 2.000 ^{+0.005} / _{+0.000} | 10.58 |
| UFN31-1.62-43UWO | 1-5/8 | 2-1/4 | 7/16 | .452 ^{+0.010} / _{+0.000} | .250 ^{+0.004} / _{+0.000} | 2.070 ±.002 | 1.625 ±.003 | 2.250 ^{+0.005} / _{+0.000} | 10.07 |

FORMERLY LISTED SEALS ARE AVAILABLE ONLINE AT WWW.HERCULESUS.COM
OR BY CONTACTING YOUR REGIONAL HERCULES SALES TEAM.



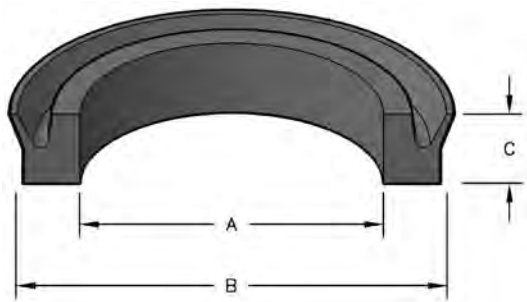
STYLE UFN PISTON SEALS

PISTON U-SEALS

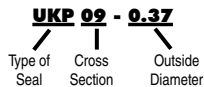
| Part Number | A Nom. ID | B Nom. OD | C Nom. Ht | D GROOVE WIDTH | D ₁ BEARING GROOVE WIDTH | G ₁ BEARING GROOVE DIAMETER | H GROOVE DIAMETER | J BORE DIAMETER | List Price |
|------------------|-----------------|-----------------|-----------------|--|--|--|-------------------------|---|---------------|
| UFN31-1.75-43UEO | 1-3/4 | 2-3/8 | 7/16 | .452 ^{+0.010} / _{+0.000} | N/A | N/A | 1.750 ±.003 | 2.375 ^{+0.005} / _{+0.000} | 12.38 |
| UFN31-1.75-43UWO | 1-3/4 | 2-3/8 | 7/16 | .452 ^{+0.010} / _{+0.000} | .250 ^{+0.004} / _{+0.000} | 2.194 ±.002 | 1.750 ±.003 | 2.375 ^{+0.005} / _{+0.000} | 12.38 |
| UFN31-1.87-37UWO | 1-7/8 | 2-1/2 | 3/8 | .390 ^{+0.010} / _{+0.000} | .250 ^{+0.004} / _{+0.000} | 2.320 ±.002 | 1.875 ±.003 | 2.500 ^{+0.005} / _{+0.000} | 11.52 |
| UFN31-1.87-43PWO | 1-7/8 | 2-1/2 | 7/16 | .452 ^{+0.010} / _{+0.000} | .250 ^{+0.004} / _{+0.000} | 2.319 ±.002 | 1.875 ±.003 | 2.500 ^{+0.005} / _{+0.000} | 15.05 |
| UFN31-2.00-43UWO | 2 | 2-5/8 | 7/16 | .452 ^{+0.010} / _{+0.000} | .250 ^{+0.004} / _{+0.000} | 2.443 ±.002 | 2.000 ±.004 | 2.625 ^{+0.005} / _{+0.000} | 10.87 |
| UFN31-2.12-46UWO | 2-1/8 | 2-3/4 | 15/32 | .483 ^{+0.010} / _{+0.000} | .250 ^{+0.004} / _{+0.000} | 2.569 ±.002 | 2.125 ±.004 | 2.750 ^{+0.005} / _{+0.000} | 13.02 |
| 3/8" C/S | | | | | | | | | |
| UFN37-2.00-56UWO | 2 | 2-3/4 | 9/16 | .577 ^{+0.010} / _{+0.000} | .250 ^{+0.004} / _{+0.000} | 2.522 ±.002 | 2.000 ±.004 | 2.750 ^{+0.005} / _{+0.000} | \$16.74 |
| UFN37-2.25-50UEO | 2-1/4 | 3 | 1/2 | .515 ^{+0.010} / _{+0.000} | N/A | N/A | 2.250 ±.004 | 3.000 ^{+0.005} / _{+0.000} | 14.95 |
| UFN37-2.25-50UWO | 2-1/4 | 3 | 1/2 | .515 ^{+0.010} / _{+0.000} | .250 ^{+0.004} / _{+0.000} | 2.772 ±.002 | 2.250 ±.004 | 3.000 ^{+0.005} / _{+0.000} | 15.93 |
| UFN37-2.75-56UWO | 2-3/4 | 3-1/2 | 9/16 | .577 ^{+0.010} / _{+0.000} | .250 ^{+0.004} / _{+0.000} | 3.271 ±.003 | 2.750 ±.004 | 3.500 ^{+0.006} / _{+0.000} | 15.44 |
| UFN37-3.25-56UWO | 3-1/4 | 4 | 9/16 | .577 ^{+0.010} / _{+0.000} | .250 ^{+0.004} / _{+0.000} | 3.770 ±.003 | 3.250 ±.004 | 4.000 ^{+0.006} / _{+0.000} | 17.23 |
| UFN37-3.50-56UEO | 3-1/2 | 4-1/4 | 9/16 | .577 ^{+0.010} / _{+0.000} | N/A | N/A | 3.500 ±.004 | 4.250 ^{+0.006} / _{+0.000} | 21.84 |
| 1/2" C/S | | | | | | | | | |
| UFN50-4.00-75UEO | 4 | 5 | 3/4 | .765 ^{+0.010} / _{+0.000} | N/A | N/A | 4.000 ±.004 | 5.000 ^{+0.006} / _{+0.000} | \$31.92 |

STYLE UKP PISTON U-SEALS

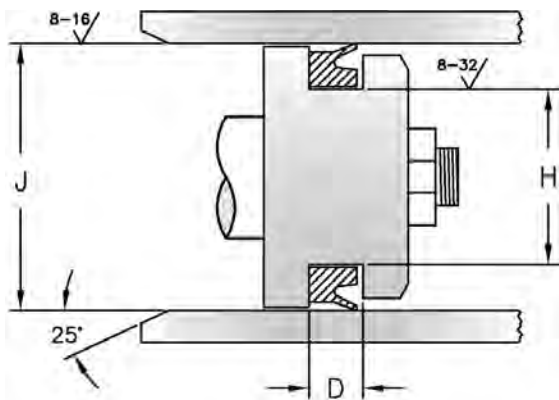
UKP u-seals are designed to act as a positive sealing, low friction replacement for conventional rubber u-seals. Molded from polyurethane, UKP u-seals provide long life and high resistance against extrusion. Low friction allows these seals to run smoothly in a lubricated or non-lubricated cylinder. Available for bore sealing, the flexible dynamic lip provides very low breakaway friction and steady motion.



HERCULES PART NUMBERS



| SEAL INFORMATION | |
|-------------------|-----------------|
| MATERIAL | 90A URETHANE |
| TEMPERATURE RANGE | -40° TO +200° F |
| PRESSURE RANGE | 0 TO 150 PSI |
| SPEED | 3 FT/SEC |



PISTON U-SEALS

| Part Number | A Nom. ID | B Nom. OD | C Nom. Ht | D GROOVE WIDTH | H GROOVE DIAMETER | J BORE DIAMETER | List Price |
|------------------|--------------|--------------|--------------|------------------------|-------------------------|-------------------------|------------|
| 3/32" C/S | | | | | | | |
| UKP09-0.37 | 3/16 | 3/8 | 3/32 | .125 +.015 +.000 | .187 +.000 -.002 | .375 +.002 +.000 | \$3.69 |
| UKP09-0.68 | 1/2 | 11/16 | 3/32 | .125 +.015 +.000 | .500 +.000 -.002 | .688 +.002 +.000 | 3.94 |
| 1/8" C/S | | | | | | | |
| UKP12-0.56 | 5/16 | 9/16 | 1/8 | .156 +.015 +.000 | .312 +.000 -.002 | .563 +.002 +.000 | \$5.07 |
| UKP12-0.62 | 3/8 | 5/8 | 1/8 | .156 +.015 +.000 | .375 +.000 -.002 | .625 +.002 +.000 | 5.10 |
| UKP12-0.75 | 1/2 | 3/4 | 1/8 | .156 +.015 +.000 | .500 +.000 -.002 | .750 +.002 +.000 | 5.13 |
| UKP12-0.87 | 5/8 | 7/8 | 1/8 | .156 +.015 +.000 | .625 +.000 -.002 | .875 +.002 +.000 | 5.15 |
| UKP12-1.00 | 3/4 | 1 | 1/8 | .156 +.015 +.000 | .750 +.000 -.002 | 1.000 +.002 +.000 | 5.18 |
| UKP12-1.06 | 13/16 | 1-1/16 | 1/8 | .156 +.015 +.000 | .812 +.000 -.002 | 1.063 +.002 +.000 | 5.18 |
| UKP12-1.12 | 7/8 | 1-1/8 | 1/8 | .156 +.015 +.000 | .875 +.000 -.002 | 1.125 +.002 +.000 | 5.18 |
| UKP12-1.25 | 1 | 1-1/4 | 1/8 | .156 +.015 +.000 | 1.000 +.000 -.002 | 1.250 +.002 +.000 | 5.24 |
| UKP12-1.50 | 1-1/4 | 1-1/2 | 1/8 | .156 +.015 +.000 | 1.250 +.000 -.002 | 1.500 +.002 +.000 | 9.15 |
| UKP12-2.00 | 1-3/4 | 2 | 1/8 | .156 +.015 +.000 | 1.750 +.000 -.002 | 2.000 +.002 +.000 | 9.22 |

FORMERLY LISTED SEALS ARE AVAILABLE ONLINE AT WWW.HERCULESUS.COM
OR BY CONTACTING YOUR REGIONAL HERCULES SALES TEAM.



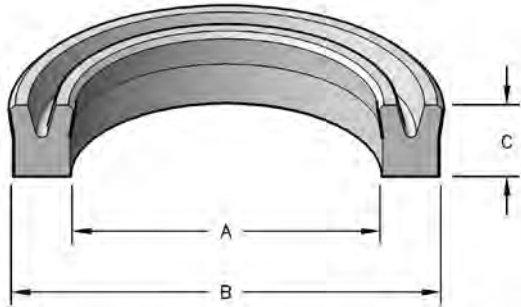
STYLE UKP PISTON U-SEALS

PISTON U-SEALS

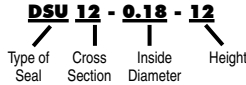
| Part Number | A Nom. ID | B Nom. OD | C Nom. Ht | D GROOVE WIDTH | H GROOVE DIAMETER | J BORE DIAMETER | List Price |
|------------------|--------------|--------------|--------------|--|---|--|---------------|
| 5/32" C/S | | | | | | | |
| UKP15-1.50 | 1-3/16 | 1-1/2 | 5/32 | .188 ⁺⁰¹⁵ / ₊₀₀₀ | 1.187 ⁺⁰⁰⁰ / ₋₀₀₂ | 1.500 ⁺⁰⁰² / ₊₀₀₀ | \$5.55 |
| UKP15-1.56 | 1-1/4 | 1-9/16 | 5/32 | .188 ⁺⁰¹⁵ / ₊₀₀₀ | 1.250 ⁺⁰⁰⁰ / ₋₀₀₂ | 1.563 ⁺⁰⁰² / ₊₀₀₀ | 5.55 |
| 3/16" C/S | | | | | | | |
| UKP18-1.75 | 1-3/8 | 1-3/4 | 3/16 | .219 ⁺⁰¹⁵ / ₊₀₀₀ | 1.375 ⁺⁰⁰⁰ / ₋₀₀₂ | 1.750 ⁺⁰⁰² / ₊₀₀₀ | \$5.78 |
| UKP18-2.00 | 1-5/8 | 2 | 3/16 | .219 ⁺⁰¹⁵ / ₊₀₀₀ | 1.625 ⁺⁰⁰⁰ / ₋₀₀₂ | 2.000 ⁺⁰⁰² / ₊₀₀₀ | 5.87 |
| UKP18-2.25 | 1-7/8 | 2-1/4 | 3/16 | .219 ⁺⁰¹⁵ / ₊₀₀₀ | 1.875 ⁺⁰⁰⁰ / ₋₀₀₂ | 2.250 ⁺⁰⁰² / ₊₀₀₀ | 8.67 |
| UKP18-2.50 | 2-1/8 | 2-1/2 | 3/16 | .219 ⁺⁰¹⁵ / ₊₀₀₀ | 2.125 ⁺⁰⁰⁰ / ₋₀₀₂ | 2.500 ⁺⁰⁰² / ₊₀₀₀ | 6.22 |
| UKP18-2.62 | 2-1/4 | 2-5/8 | 3/16 | .219 ⁺⁰¹⁵ / ₊₀₀₀ | 2.250 ⁺⁰⁰⁰ / ₋₀₀₂ | 2.625 ⁺⁰⁰² / ₊₀₀₀ | 6.36 |
| UKP18-4.00 | 3-5/8 | 4 | 3/16 | .219 ⁺⁰¹⁵ / ₊₀₀₀ | 3.625 ⁺⁰⁰⁰ / ₋₀₀₂ | 4.000 ⁺⁰⁰² / ₊₀₀₀ | 7.94 |
| 7/32" C/S | | | | | | | |
| UKP21-3.00 | 2-9/16 | 3 | 7/32 | .250 ⁺⁰¹⁵ / ₊₀₀₀ | 2.562 ⁺⁰⁰⁰ / ₋₀₀₃ | 3.000 ⁺⁰⁰³ / ₊₀₀₀ | \$11.96 |
| UKP21-3.25 | 2-13/16 | 3-1/4 | 7/32 | .250 ⁺⁰¹⁵ / ₊₀₀₀ | 2.812 ⁺⁰⁰⁰ / ₋₀₀₃ | 3.250 ⁺⁰⁰³ / ₊₀₀₀ | 13.00 |
| 1/4" C/S | | | | | | | |
| UKP25-3.00 | 2-1/2 | 3 | 1/4 | .281 ⁺⁰¹⁵ / ₊₀₀₀ | 2.500 ⁺⁰⁰⁰ / ₋₀₀₃ | 3.000 ⁺⁰⁰³ / ₊₀₀₀ | \$12.40 |
| UKP25-3.25 | 2-3/4 | 3-1/4 | 1/4 | .281 ⁺⁰¹⁵ / ₊₀₀₀ | 2.750 ⁺⁰⁰⁰ / ₋₀₀₃ | 3.250 ⁺⁰⁰³ / ₊₀₀₀ | 13.44 |
| UKP25-3.50 | 3 | 3-1/2 | 1/4 | .281 ⁺⁰¹⁵ / ₊₀₀₀ | 3.000 ⁺⁰⁰⁰ / ₋₀₀₃ | 3.500 ⁺⁰⁰³ / ₊₀₀₀ | 14.48 |
| UKP25-4.00 | 3-1/2 | 4 | 1/4 | .281 ⁺⁰¹⁵ / ₊₀₀₀ | 3.500 ⁺⁰⁰⁰ / ₋₀₀₃ | 4.000 ⁺⁰⁰³ / ₊₀₀₀ | 16.56 |
| UKP25-5.00 | 4-1/2 | 5 | 1/4 | .281 ⁺⁰¹⁵ / ₊₀₀₀ | 4.500 ⁺⁰⁰⁰ / ₋₀₀₃ | 5.000 ⁺⁰⁰³ / ₊₀₀₀ | 20.84 |
| UKP25-6.00 | 5-1/2 | 6 | 1/4 | .281 ⁺⁰¹⁵ / ₊₀₀₀ | 5.500 ⁺⁰⁰⁰ / ₋₀₀₃ | 6.000 ⁺⁰⁰³ / ₊₀₀₀ | 24.82 |
| UKP25-7.00 | 6-1/2 | 7 | 1/4 | .281 ⁺⁰¹⁵ / ₊₀₀₀ | 6.500 ⁺⁰⁰⁰ / ₋₀₀₃ | 7.000 ⁺⁰⁰³ / ₊₀₀₀ | 38.30 |
| UKP25-8.00 | 7-1/2 | 8 | 1/4 | .281 ⁺⁰¹⁵ / ₊₀₀₀ | 7.500 ⁺⁰⁰⁰ / ₋₀₀₃ | 8.000 ⁺⁰⁰³ / ₊₀₀₀ | 40.89 |
| UKP25-10.00 | 9-1/2 | 10 | 1/4 | .281 ⁺⁰¹⁵ / ₊₀₀₀ | 9.500 ⁺⁰⁰⁰ / ₋₀₀₃ | 10.000 ⁺⁰⁰³ / ₊₀₀₀ | 54.51 |
| 5/16" C/S | | | | | | | |
| UKP31-6.00 | 5-3/8 | 6 | 5/16 | .344 ⁺⁰¹⁵ / ₊₀₀₀ | 5.375 ⁺⁰⁰⁰ / ₋₀₀₄ | 6.000 ⁺⁰⁰³ / ₊₀₀₀ | \$29.78 |
| UKP31-8.00 | 7-3/8 | 8 | 5/16 | .344 ⁺⁰¹⁵ / ₊₀₀₀ | 7.375 ⁺⁰⁰⁰ / ₋₀₀₄ | 8.000 ⁺⁰⁰³ / ₊₀₀₀ | 39.53 |
| 3/8" C/S | | | | | | | |
| UKP37-10.00 | 9-1/4 | 10 | 3/8 | .406 ⁺⁰¹⁵ / ₊₀₀₀ | 9.250 ⁺⁰⁰⁰ / ₋₀₀₅ | 10.000 ⁺⁰⁰⁴ / ₊₀₀₀ | \$66.74 |

STYLE DSU HEAVY DUTY SYMMETRICAL U-SEALS

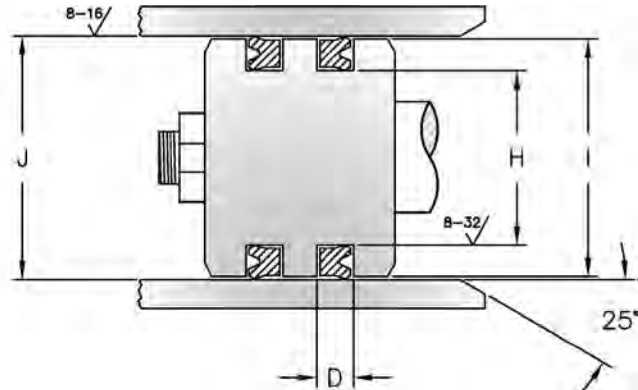
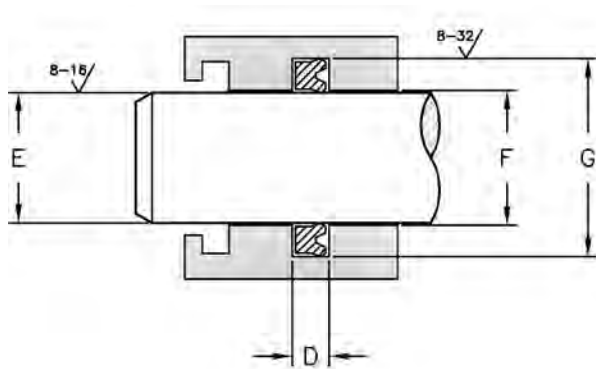
Used interchangeably for piston or rod sealing, these u-seals employ the same tough urethane material found in our Heavy Duty Rod and Piston U-Seals.



HERCULES PART NUMBERS



| SEAL INFORMATION | |
|-------------------|-----------------|
| MATERIAL | 92A URETHANE |
| TEMPERATURE RANGE | -40° TO +230° F |
| PRESSURE RANGE | 0 TO 4,000 PSI |
| SPEED | 3 FT/SEC |



U-SEALS

| Part Number | A Nom. ID | B Nom. OD | C Nom. Ht | D GROOVE WIDTH | E ROD DIAMETER | F THROAT DIAMETER | G HOUSING DIAMETER | H GROOVE DIAMETER | I PISTON DIAMETER | J BORE DIAMETER | List Price |
|-----------------|-----------|-----------|-----------|-------------------|-------------------|-------------------|--------------------|-------------------|-------------------|-------------------|------------|
| 1/8" C/S | | | | | | | | | | | |
| DSU12-0.18-12 | 3/16 | 7/16 | 1/8 | .156 +.015 -0.000 | .187 +.000 -0.003 | .189 +.003 +.000 | .438 +.005 +.000 | .187 +.000 -0.003 | .437 +.000 -0.003 | .438 +.005 +.000 | \$ 6.62 |
| DSU12-0.18-25 | 3/16 | 7/16 | 1/4 | .281 +.015 +.000 | .187 +.000 -0.003 | .189 +.003 +.000 | .438 +.005 +.000 | .187 +.000 -0.003 | .437 +.000 -0.003 | .438 +.005 +.000 | 6.62 |
| DSU12-0.25-18 | 1/4 | 1/2 | 3/16 | .218 +.015 +.000 | .250 +.000 -0.003 | .251 +.003 +.000 | .500 +.005 +.000 | .250 +.000 -0.003 | .499 +.000 -0.003 | .500 +.005 +.000 | 6.38 |
| DSU12-0.31-25 | 5/16 | 9/16 | 1/4 | .281 +.015 +.000 | .312 +.000 -0.003 | .313 +.003 +.000 | .563 +.005 +.000 | .312 +.000 -0.003 | .561 +.000 -0.003 | .563 +.005 +.000 | 8.04 |
| DSU12-0.37-12 | 3/8 | 5/8 | 1/8 | .156 +.015 +.000 | .375 +.000 -0.003 | .376 +.003 +.000 | .625 +.005 +.000 | .375 +.000 -0.003 | .624 +.000 -0.003 | .625 +.005 +.000 | 6.40 |
| DSU12-0.37-25 | 3/8 | 5/8 | 1/4 | .281 +.015 +.000 | .375 +.000 -0.003 | .376 +.003 +.000 | .625 +.005 +.000 | .375 +.000 -0.003 | .624 +.000 -0.003 | .625 +.005 +.000 | 7.35 |
| DSU12-0.50-12 | 1/2 | 3/4 | 1/8 | .156 +.015 +.000 | .500 +.000 -0.003 | .501 +.003 +.000 | .750 +.005 +.000 | .500 +.000 -0.003 | .749 +.000 -0.003 | .750 +.005 +.000 | 6.67 |
| DSU12-0.56-12 | 9/16 | 13/16 | 1/8 | .156 +.015 +.000 | .562 +.000 -0.003 | .564 +.003 +.000 | .813 +.005 +.000 | .562 +.000 -0.003 | .812 +.000 -0.003 | .813 +.005 +.000 | 6.33 |
| DSU12-0.62-12 | 5/8 | 7/8 | 1/8 | .156 +.015 +.000 | .625 +.000 -0.003 | .626 +.003 +.000 | .875 +.005 +.000 | .625 +.000 -0.003 | .874 +.000 -0.003 | .875 +.005 +.000 | 7.10 |
| DSU12-0.62-25 | 5/8 | 7/8 | 1/4 | .281 +.015 +.000 | .625 +.000 -0.003 | .626 +.003 +.000 | .875 +.005 +.000 | .625 +.000 -0.003 | .874 +.000 -0.003 | .875 +.005 +.000 | 7.10 |
| DSU12-0.75-12 | 3/4 | 1 | 1/8 | .156 +.015 +.000 | .750 +.000 -0.003 | .751 +.003 +.000 | 1.000 +.005 +.000 | .750 +.000 -0.003 | .999 +.000 -0.003 | 1.000 +.005 +.000 | 7.36 |

FORMERLY LISTED SEALS ARE AVAILABLE ONLINE AT WWW.HERCULESUS.COM
 OR BY CONTACTING YOUR REGIONAL HERCULES SALES TEAM.



STYLE DSU HEAVY DUTY SYMMETRICAL U-SEALS

U-SEALS

| Part Number | A Nom. ID | B Nom. OD | C Nom. Ht | D GROOVE WIDTH | E ROD DIAMETER | F THROAT DIAMETER | G HOUSING DIAMETER | H GROOVE DIAMETER | I PISTON DIAMETER | J BORE DIAMETER | List Price |
|------------------|-----------|-----------|-----------|--|---|---|---|---|---|---|------------|
| DSU12-0.75-18 | 3/4 | 1 | 3/16 | .218 ^{+0.015} / _{+0.000} | .750 ^{+0.000} / _{-0.003} | .751 ^{+0.003} / _{+0.000} | 1.000 ^{+0.005} / _{+0.000} | .750 ^{+0.000} / _{-0.003} | .999 ^{+0.000} / _{-0.003} | 1.000 ^{+0.005} / _{+0.000} | 7.36 |
| DSU12-0.75-25 | 3/4 | 1 | 1/4 | .281 ^{+0.015} / _{+0.000} | .750 ^{+0.000} / _{-0.003} | .751 ^{+0.003} / _{+0.000} | 1.000 ^{+0.005} / _{+0.000} | .750 ^{+0.000} / _{-0.003} | .999 ^{+0.000} / _{-0.003} | 1.000 ^{+0.005} / _{+0.000} | 7.36 |
| DSU12-0.87-12 | 7/8 | 1-1/8 | 1/8 | .156 ^{+0.015} / _{+0.000} | .875 ^{+0.000} / _{-0.003} | .876 ^{+0.003} / _{+0.000} | 1.125 ^{+0.005} / _{+0.000} | .875 ^{+0.000} / _{-0.003} | 1.124 ^{+0.000} / _{-0.003} | 1.125 ^{+0.005} / _{+0.000} | 7.64 |
| DSU12-0.87-17 | 7/8 | 1-1/8 | 11/64 | .202 ^{+0.015} / _{+0.000} | .875 ^{+0.000} / _{-0.003} | .876 ^{+0.003} / _{+0.000} | 1.125 ^{+0.005} / _{+0.000} | .875 ^{+0.000} / _{-0.003} | 1.124 ^{+0.000} / _{-0.003} | 1.125 ^{+0.005} / _{+0.000} | 7.64 |
| DSU12-0.87-25 | 7/8 | 1-1/8 | 1/4 | .281 ^{+0.015} / _{+0.000} | .875 ^{+0.000} / _{-0.003} | .876 ^{+0.003} / _{+0.000} | 1.125 ^{+0.005} / _{+0.000} | .875 ^{+0.000} / _{-0.003} | 1.124 ^{+0.000} / _{-0.003} | 1.125 ^{+0.005} / _{+0.000} | 7.64 |
| DSU12-1.00-12 | 1 | 1-1/4 | 1/8 | .156 ^{+0.015} / _{+0.000} | 1.000 ^{+0.000} / _{-0.003} | 1.001 ^{+0.003} / _{+0.000} | 1.250 ^{+0.005} / _{+0.000} | 1.000 ^{+0.000} / _{-0.003} | 1.249 ^{+0.000} / _{-0.003} | 1.250 ^{+0.005} / _{+0.000} | 7.98 |
| DSU12-1.00-15 | 1 | 1-1/4 | 5/32 | .187 ^{+0.015} / _{+0.000} | 1.000 ^{+0.000} / _{-0.003} | 1.001 ^{+0.003} / _{+0.000} | 1.250 ^{+0.005} / _{+0.000} | 1.000 ^{+0.000} / _{-0.003} | 1.249 ^{+0.000} / _{-0.003} | 1.250 ^{+0.005} / _{+0.000} | 11.46 |
| DSU12-1.00-18 | 1 | 1-1/4 | 3/16 | .218 ^{+0.015} / _{+0.000} | 1.000 ^{+0.000} / _{-0.003} | 1.001 ^{+0.003} / _{+0.000} | 1.250 ^{+0.005} / _{+0.000} | 1.000 ^{+0.000} / _{-0.003} | 1.249 ^{+0.000} / _{-0.003} | 1.250 ^{+0.005} / _{+0.000} | 7.98 |
| DSU12-1.00-25 | 1 | 1-1/4 | 1/4 | .281 ^{+0.015} / _{+0.000} | 1.000 ^{+0.000} / _{-0.003} | 1.001 ^{+0.003} / _{+0.000} | 1.250 ^{+0.005} / _{+0.000} | 1.000 ^{+0.000} / _{-0.003} | 1.249 ^{+0.000} / _{-0.003} | 1.250 ^{+0.005} / _{+0.000} | 7.98 |
| DSU12-1.12-12 | 1-1/8 | 1-3/8 | 1/8 | .156 ^{+0.015} / _{+0.000} | 1.125 ^{+0.000} / _{-0.003} | 1.126 ^{+0.003} / _{+0.000} | 1.375 ^{+0.005} / _{+0.000} | 1.125 ^{+0.000} / _{-0.003} | 1.374 ^{+0.000} / _{-0.003} | 1.375 ^{+0.005} / _{+0.000} | 8.30 |
| DSU12-1.12-25 | 1-1/8 | 1-3/8 | 1/4 | .281 ^{+0.015} / _{+0.000} | 1.125 ^{+0.000} / _{-0.003} | 1.126 ^{+0.003} / _{+0.000} | 1.375 ^{+0.005} / _{+0.000} | 1.125 ^{+0.000} / _{-0.003} | 1.374 ^{+0.000} / _{-0.003} | 1.375 ^{+0.005} / _{+0.000} | 8.30 |
| DSU12-1.25-12 | 1-1/4 | 1-1/2 | 1/8 | .156 ^{+0.015} / _{+0.000} | 1.250 ^{+0.000} / _{-0.003} | 1.251 ^{+0.003} / _{+0.000} | 1.500 ^{+0.007} / _{+0.000} | 1.250 ^{+0.000} / _{-0.003} | 1.499 ^{+0.000} / _{-0.003} | 1.500 ^{+0.007} / _{+0.000} | 9.16 |
| DSU12-1.25-15 | 1-1/4 | 1-1/2 | 5/32 | .187 ^{+0.015} / _{+0.000} | 1.250 ^{+0.000} / _{-0.003} | 1.251 ^{+0.003} / _{+0.000} | 1.500 ^{+0.007} / _{+0.000} | 1.250 ^{+0.000} / _{-0.003} | 1.499 ^{+0.000} / _{-0.003} | 1.500 ^{+0.007} / _{+0.000} | 9.46 |
| DSU12-1.25-18 | 1-1/4 | 1-1/2 | 3/16 | .218 ^{+0.015} / _{+0.000} | 1.250 ^{+0.000} / _{-0.003} | 1.251 ^{+0.003} / _{+0.000} | 1.500 ^{+0.007} / _{+0.000} | 1.250 ^{+0.000} / _{-0.003} | 1.499 ^{+0.000} / _{-0.003} | 1.500 ^{+0.007} / _{+0.000} | 9.16 |
| DSU12-1.25-25 | 1-1/4 | 1-1/2 | 1/4 | .281 ^{+0.015} / _{+0.000} | 1.250 ^{+0.000} / _{-0.003} | 1.251 ^{+0.003} / _{+0.000} | 1.500 ^{+0.007} / _{+0.000} | 1.250 ^{+0.000} / _{-0.003} | 1.499 ^{+0.000} / _{-0.003} | 1.500 ^{+0.007} / _{+0.000} | 9.16 |
| DSU12-1.31-25 | 1-5/16 | 1-9/16 | 1/4 | .281 ^{+0.015} / _{+0.000} | 1.312 ^{+0.000} / _{-0.003} | 1.313 ^{+0.003} / _{+0.000} | 1.563 ^{+0.007} / _{+0.000} | 1.312 ^{+0.000} / _{-0.003} | 1.562 ^{+0.000} / _{-0.003} | 1.563 ^{+0.007} / _{+0.000} | 9.46 |
| DSU12-1.37-25 | 1-3/8 | 1-5/8 | 1/4 | .281 ^{+0.015} / _{+0.000} | 1.375 ^{+0.000} / _{-0.003} | 1.376 ^{+0.003} / _{+0.000} | 1.625 ^{+0.007} / _{+0.000} | 1.375 ^{+0.000} / _{-0.003} | 1.624 ^{+0.000} / _{-0.003} | 1.625 ^{+0.007} / _{+0.000} | 9.75 |
| DSU12-1.50-25 | 1-1/2 | 1-3/4 | 1/4 | .281 ^{+0.015} / _{+0.000} | 1.500 ^{+0.000} / _{-0.003} | 1.501 ^{+0.003} / _{+0.000} | 1.750 ^{+0.007} / _{+0.000} | 1.500 ^{+0.000} / _{-0.003} | 1.749 ^{+0.000} / _{-0.003} | 1.750 ^{+0.007} / _{+0.000} | 9.97 |
| 3/16" C/S | | | | | | | | | | | |
| DSU18-0.25-25 | 1/4 | 5/8 | 1/4 | .281 ^{+0.015} / _{+0.000} | .250 ^{+0.000} / _{-0.003} | .251 ^{+0.003} / _{+0.000} | .625 ^{+0.005} / _{+0.000} | .250 ^{+0.000} / _{-0.003} | .624 ^{+0.000} / _{-0.003} | .625 ^{+0.005} / _{+0.000} | \$7.50 |
| DSU18-0.25-31 | 1/4 | 5/8 | 5/16 | .343 ^{+0.015} / _{+0.000} | .250 ^{+0.000} / _{-0.003} | .251 ^{+0.003} / _{+0.000} | .625 ^{+0.005} / _{+0.000} | .250 ^{+0.000} / _{-0.003} | .624 ^{+0.000} / _{-0.003} | .625 ^{+0.005} / _{+0.000} | 7.50 |
| DSU18-0.37-31 | 3/8 | 3/4 | 5/16 | .343 ^{+0.015} / _{+0.000} | .375 ^{+0.000} / _{-0.003} | .376 ^{+0.003} / _{+0.000} | .750 ^{+0.005} / _{+0.000} | .375 ^{+0.000} / _{-0.003} | .749 ^{+0.000} / _{-0.003} | .750 ^{+0.005} / _{+0.000} | 7.53 |
| DSU18-0.50-18 | 1/2 | 7/8 | 3/16 | .218 ^{+0.015} / _{+0.000} | .500 ^{+0.000} / _{-0.003} | .501 ^{+0.003} / _{+0.000} | .875 ^{+0.005} / _{+0.000} | .500 ^{+0.000} / _{-0.003} | .874 ^{+0.000} / _{-0.003} | .875 ^{+0.005} / _{+0.000} | 9.10 |
| DSU18-0.50-31 | 1/2 | 7/8 | 5/16 | .343 ^{+0.015} / _{+0.000} | .500 ^{+0.000} / _{-0.003} | .501 ^{+0.003} / _{+0.000} | .875 ^{+0.005} / _{+0.000} | .500 ^{+0.000} / _{-0.003} | .874 ^{+0.000} / _{-0.003} | .875 ^{+0.005} / _{+0.000} | 7.57 |
| DSU18-0.56-18 | 9/16 | 15/16 | 3/16 | .218 ^{+0.015} / _{+0.000} | .562 ^{+0.000} / _{-0.003} | .564 ^{+0.003} / _{+0.000} | .938 ^{+0.005} / _{+0.000} | .562 ^{+0.000} / _{-0.003} | .937 ^{+0.000} / _{-0.003} | .938 ^{+0.005} / _{+0.000} | 8.14 |
| DSU18-0.62-18 | 5/8 | 1 | 3/16 | .218 ^{+0.015} / _{+0.000} | .625 ^{+0.000} / _{-0.003} | .626 ^{+0.003} / _{+0.000} | 1.000 ^{+0.005} / _{+0.000} | .625 ^{+0.000} / _{-0.003} | .999 ^{+0.000} / _{-0.003} | 1.000 ^{+0.005} / _{+0.000} | 7.85 |
| DSU18-0.62-25 | 5/8 | 1 | 1/4 | .281 ^{+0.015} / _{+0.000} | .625 ^{+0.000} / _{-0.003} | .626 ^{+0.003} / _{+0.000} | 1.000 ^{+0.005} / _{+0.000} | .625 ^{+0.000} / _{-0.003} | .999 ^{+0.000} / _{-0.003} | 1.000 ^{+0.005} / _{+0.000} | 7.85 |
| DSU18-0.62-31 | 5/8 | 1 | 5/16 | .343 ^{+0.015} / _{+0.000} | .625 ^{+0.000} / _{-0.003} | .626 ^{+0.003} / _{+0.000} | 1.000 ^{+0.005} / _{+0.000} | .625 ^{+0.000} / _{-0.003} | .999 ^{+0.000} / _{-0.003} | 1.000 ^{+0.005} / _{+0.000} | 8.51 |
| DSU18-0.75-18 | 3/4 | 1-1/8 | 3/16 | .218 ^{+0.015} / _{+0.000} | .750 ^{+0.000} / _{-0.003} | .751 ^{+0.003} / _{+0.000} | 1.125 ^{+0.005} / _{+0.000} | .750 ^{+0.000} / _{-0.003} | 1.124 ^{+0.000} / _{-0.003} | 1.125 ^{+0.005} / _{+0.000} | 8.05 |
| DSU18-0.75-25 | 3/4 | 1-1/8 | 1/4 | .281 ^{+0.015} / _{+0.000} | .750 ^{+0.000} / _{-0.003} | .751 ^{+0.003} / _{+0.000} | 1.125 ^{+0.005} / _{+0.000} | .750 ^{+0.000} / _{-0.003} | 1.124 ^{+0.000} / _{-0.003} | 1.125 ^{+0.005} / _{+0.000} | 8.05 |
| DSU18-0.87-25 | 7/8 | 1-1/4 | 1/4 | .281 ^{+0.015} / _{+0.000} | .875 ^{+0.000} / _{-0.003} | .876 ^{+0.003} / _{+0.000} | 1.250 ^{+0.005} / _{+0.000} | .875 ^{+0.000} / _{-0.003} | 1.249 ^{+0.000} / _{-0.003} | 1.250 ^{+0.005} / _{+0.000} | 8.25 |
| DSU18-1.00-18 | 1 | 1-3/8 | 3/16 | .218 ^{+0.015} / _{+0.000} | 1.000 ^{+0.000} / _{-0.003} | 1.001 ^{+0.003} / _{+0.000} | 1.375 ^{+0.005} / _{+0.000} | 1.000 ^{+0.000} / _{-0.003} | 1.374 ^{+0.000} / _{-0.003} | 1.375 ^{+0.005} / _{+0.000} | 8.34 |
| DSU18-1.00-25 | 1 | 1-3/8 | 1/4 | .281 ^{+0.015} / _{+0.000} | 1.000 ^{+0.000} / _{-0.003} | 1.001 ^{+0.003} / _{+0.000} | 1.375 ^{+0.005} / _{+0.000} | 1.000 ^{+0.000} / _{-0.003} | 1.374 ^{+0.000} / _{-0.003} | 1.375 ^{+0.005} / _{+0.000} | 8.34 |

NORTH AMERICA
PHONE 1-800-777-5617
FAX 1-800-759-6391

SALES OFFICE HOURS
8 A.M. TO 7:30 P.M. EASTERN TIME
www.HerculesUS.com

WORLDWIDE
PHONE 1-727-796-1300
FAX 1-727-797-8849



STYLE DSU HEAVY DUTY SYMMETRICAL U-SEALS

| Part Number | A Nom. ID | B Nom. OD | C Nom. Ht | D GROOVE WIDTH | E ROD DIAMETER | F THROAT DIAMETER | G HOUSING DIAMETER | H GROOVE DIAMETER | I PISTON DIAMETER | J BORE DIAMETER | List Price | | | | | | | |
|---------------|-----------|-----------|-----------|----------------|------------------|-------------------|--------------------|-------------------|-------------------|-----------------|------------------|-------|------------------|-------|------------------|-------|------------------|-------|
| DSU18-1.00-31 | 1 | 1-3/8 | 5/16 | .343 | +0.015 +0.000 | 1.000 | +0.000 -0.003 | 1.001 | +0.003 +0.000 | 1.375 | +0.005 +0.000 | 1.000 | +0.000 -0.003 | 1.374 | +0.000 -0.003 | 1.375 | +0.005 +0.000 | 8.34 |
| DSU18-1.12-18 | 1-1/8 | 1-1/2 | 3/16 | .218 | +0.015 +0.000 | 1.125 | +0.000 -0.003 | 1.126 | +0.003 +0.000 | 1.500 | +0.007 +0.000 | 1.125 | +0.000 -0.003 | 1.499 | +0.000 -0.003 | 1.500 | +0.007 +0.000 | 8.51 |
| DSU18-1.12-25 | 1-1/8 | 1-1/2 | 1/4 | .281 | +0.015 +0.000 | 1.125 | +0.000 -0.003 | 1.126 | +0.003 +0.000 | 1.500 | +0.007 +0.000 | 1.125 | +0.000 -0.003 | 1.499 | +0.000 -0.003 | 1.500 | +0.007 +0.000 | 8.51 |
| DSU18-1.12-31 | 1-1/8 | 1-1/2 | 5/16 | .343 | +0.015 +0.000 | 1.125 | +0.000 -0.003 | 1.126 | +0.003 +0.000 | 1.500 | +0.007 +0.000 | 1.125 | +0.000 -0.003 | 1.499 | +0.000 -0.003 | 1.500 | +0.007 +0.000 | 9.17 |
| DSU18-1.25-25 | 1-1/4 | 1-5/8 | 1/4 | .281 | +0.015 +0.000 | 1.250 | +0.000 -0.003 | 1.251 | +0.003 +0.000 | 1.625 | +0.007 +0.000 | 1.250 | +0.000 -0.003 | 1.624 | +0.000 -0.003 | 1.625 | +0.007 +0.000 | 9.39 |
| DSU18-1.25-31 | 1-1/4 | 1-5/8 | 5/16 | .343 | +0.015 +0.000 | 1.250 | +0.000 -0.003 | 1.251 | +0.003 +0.000 | 1.625 | +0.007 +0.000 | 1.250 | +0.000 -0.003 | 1.624 | +0.000 -0.003 | 1.625 | +0.007 +0.000 | 10.87 |
| DSU18-1.37-25 | 1-3/8 | 1-3/4 | 1/4 | .281 | +0.015 +0.000 | 1.375 | +0.000 -0.003 | 1.376 | +0.003 +0.000 | 1.750 | +0.007 +0.000 | 1.375 | +0.000 -0.003 | 1.749 | +0.000 -0.003 | 1.750 | +0.007 +0.000 | 10.83 |
| DSU18-1.37-31 | 1-3/8 | 1-3/4 | 5/16 | .343 | +0.015 +0.000 | 1.375 | +0.000 -0.003 | 1.376 | +0.003 +0.000 | 1.750 | +0.007 +0.000 | 1.375 | +0.000 -0.003 | 1.749 | +0.000 -0.003 | 1.750 | +0.007 +0.000 | 10.83 |
| DSU18-1.43-25 | 1-7/16 | 1-13/16 | 1/4 | .281 | +0.015 +0.000 | 1.437 | +0.000 -0.003 | 1.439 | +0.003 +0.000 | 1.813 | +0.007 +0.000 | 1.437 | +0.000 -0.003 | 1.812 | +0.000 -0.003 | 1.813 | +0.007 +0.000 | 10.83 |
| DSU18-1.50-18 | 1-1/2 | 1-7/8 | 3/16 | .218 | +0.015 +0.000 | 1.500 | +0.000 -0.003 | 1.501 | +0.003 +0.000 | 1.875 | +0.007 +0.000 | 1.500 | +0.000 -0.003 | 1.874 | +0.000 -0.003 | 1.875 | +0.007 +0.000 | 11.06 |
| DSU18-1.50-25 | 1-1/2 | 1-7/8 | 1/4 | .281 | +0.015 +0.000 | 1.500 | +0.000 -0.003 | 1.501 | +0.003 +0.000 | 1.875 | +0.007 +0.000 | 1.500 | +0.000 -0.003 | 1.874 | +0.000 -0.003 | 1.875 | +0.007 +0.000 | 11.06 |
| DSU18-1.50-31 | 1-1/2 | 1-7/8 | 5/16 | .343 | +0.015 +0.000 | 1.500 | +0.000 -0.003 | 1.501 | +0.003 +0.000 | 1.875 | +0.007 +0.000 | 1.500 | +0.000 -0.003 | 1.874 | +0.000 -0.003 | 1.875 | +0.007 +0.000 | 11.06 |
| DSU18-1.50-37 | 1-1/2 | 1-7/8 | 3/8 | .406 | +0.015 +0.000 | 1.500 | +0.000 -0.003 | 1.501 | +0.003 +0.000 | 1.875 | +0.007 +0.000 | 1.500 | +0.000 -0.003 | 1.874 | +0.000 -0.003 | 1.875 | +0.007 +0.000 | 11.06 |
| DSU18-1.62-25 | 1-5/8 | 2 | 1/4 | .281 | +0.015 +0.000 | 1.625 | +0.000 -0.003 | 1.626 | +0.003 +0.000 | 2.000 | +0.008 +0.000 | 1.625 | +0.000 -0.003 | 1.999 | +0.000 -0.004 | 2.000 | +0.008 +0.000 | 11.91 |
| DSU18-1.62-31 | 1-5/8 | 2 | 5/16 | .343 | +0.015 +0.000 | 1.625 | +0.000 -0.003 | 1.626 | +0.003 +0.000 | 2.000 | +0.008 +0.000 | 1.625 | +0.000 -0.003 | 1.999 | +0.000 -0.004 | 2.000 | +0.008 +0.000 | 11.91 |
| DSU18-1.62-37 | 1-5/8 | 2 | 3/8 | .406 | +0.015 +0.000 | 1.625 | +0.000 -0.003 | 1.626 | +0.003 +0.000 | 2.000 | +0.008 +0.000 | 1.625 | +0.000 -0.003 | 1.999 | +0.000 -0.004 | 2.000 | +0.008 +0.000 | 11.91 |
| DSU18-1.75-25 | 1-3/4 | 2-1/8 | 1/4 | .281 | +0.015 +0.000 | 1.750 | +0.000 -0.003 | 1.751 | +0.003 +0.000 | 2.125 | +0.008 +0.000 | 1.750 | +0.000 -0.003 | 2.124 | +0.000 -0.004 | 2.125 | +0.008 +0.000 | 12.35 |
| DSU18-1.75-37 | 1-3/4 | 2-1/8 | 3/8 | .406 | +0.015 +0.000 | 1.750 | +0.000 -0.003 | 1.751 | +0.003 +0.000 | 2.125 | +0.008 +0.000 | 1.750 | +0.000 -0.003 | 2.124 | +0.000 -0.004 | 2.125 | +0.008 +0.000 | 12.35 |
| DSU18-1.87-37 | 1-7/8 | 2-1/4 | 3/8 | .406 | +0.015 +0.000 | 1.875 | +0.000 -0.003 | 1.876 | +0.003 +0.000 | 2.250 | +0.008 +0.000 | 1.875 | +0.000 -0.003 | 2.249 | +0.000 -0.004 | 2.250 | +0.008 +0.000 | 13.40 |
| DSU18-2.00-25 | 2 | 2-3/8 | 1/4 | .281 | +0.015 +0.000 | 2.000 | +0.000 -0.003 | 2.001 | +0.004 +0.000 | 2.375 | +0.008 +0.000 | 2.000 | +0.000 -0.003 | 2.374 | +0.000 -0.004 | 2.375 | +0.008 +0.000 | 14.65 |
| DSU18-2.00-31 | 2 | 2-3/8 | 5/16 | .343 | +0.015 +0.000 | 2.000 | +0.000 -0.003 | 2.001 | +0.004 +0.000 | 2.375 | +0.008 +0.000 | 2.000 | +0.000 -0.003 | 2.374 | +0.000 -0.004 | 2.375 | +0.008 +0.000 | 14.65 |
| DSU18-2.00-37 | 2 | 2-3/8 | 3/8 | .406 | +0.015 +0.000 | 2.000 | +0.000 -0.003 | 2.001 | +0.004 +0.000 | 2.375 | +0.008 +0.000 | 2.000 | +0.000 -0.003 | 2.374 | +0.000 -0.004 | 2.375 | +0.008 +0.000 | 14.65 |
| DSU18-2.12-25 | 2-1/8 | 2-1/2 | 1/4 | .281 | +0.015 +0.000 | 2.125 | +0.000 -0.003 | 2.126 | +0.004 +0.000 | 2.500 | +0.008 +0.000 | 2.125 | +0.000 -0.003 | 2.499 | +0.000 -0.004 | 2.500 | +0.008 +0.000 | 13.14 |
| DSU18-2.12-31 | 2-1/8 | 2-1/2 | 5/16 | .343 | +0.015 +0.000 | 2.125 | +0.000 -0.003 | 2.126 | +0.004 +0.000 | 2.500 | +0.008 +0.000 | 2.125 | +0.000 -0.003 | 2.499 | +0.000 -0.004 | 2.500 | +0.008 +0.000 | 15.38 |
| DSU18-2.12-37 | 2-1/8 | 2-1/2 | 3/8 | .406 | +0.015 +0.000 | 2.125 | +0.000 -0.003 | 2.126 | +0.004 +0.000 | 2.500 | +0.008 +0.000 | 2.125 | +0.000 -0.003 | 2.499 | +0.000 -0.004 | 2.500 | +0.008 +0.000 | 15.38 |
| DSU18-2.25-31 | 2-1/4 | 2-5/8 | 5/16 | .343 | +0.015 +0.000 | 2.250 | +0.000 -0.003 | 2.251 | +0.004 +0.000 | 2.625 | +0.008 +0.000 | 2.250 | +0.000 -0.003 | 2.624 | +0.000 -0.004 | 2.625 | +0.008 +0.000 | 15.58 |
| DSU18-2.25-37 | 2-1/4 | 2-5/8 | 3/8 | .406 | +0.015 +0.000 | 2.250 | +0.000 -0.003 | 2.251 | +0.004 +0.000 | 2.625 | +0.008 +0.000 | 2.250 | +0.000 -0.003 | 2.624 | +0.000 -0.004 | 2.625 | +0.008 +0.000 | 15.58 |
| DSU18-2.37-37 | 2-3/8 | 2-3/4 | 3/8 | .406 | +0.015 +0.000 | 2.375 | +0.000 -0.003 | 2.376 | +0.004 +0.000 | 2.750 | +0.008 +0.000 | 2.375 | +0.000 -0.003 | 2.749 | +0.000 -0.004 | 2.750 | +0.008 +0.000 | 16.36 |
| DSU18-2.50-25 | 2-1/2 | 2-7/8 | 1/4 | .281 | +0.015 +0.000 | 2.500 | +0.000 -0.003 | 2.501 | +0.004 +0.000 | 2.875 | +0.008 +0.000 | 2.500 | +0.000 -0.003 | 2.874 | +0.000 -0.004 | 2.875 | +0.008 +0.000 | 17.71 |
| DSU18-2.50-37 | 2-1/2 | 2-7/8 | 3/8 | .406 | +0.015 +0.000 | 2.500 | +0.000 -0.003 | 2.501 | +0.004 +0.000 | 2.875 | +0.008 +0.000 | 2.500 | +0.000 -0.003 | 2.874 | +0.000 -0.004 | 2.875 | +0.008 +0.000 | 17.71 |
| DSU18-2.62-25 | 2-5/8 | 3 | 1/4 | .281 | +0.015 +0.000 | 2.625 | +0.000 -0.003 | 2.626 | +0.004 +0.000 | 3.000 | +0.008 +0.000 | 2.625 | +0.000 -0.003 | 2.999 | +0.000 -0.004 | 3.000 | +0.008 +0.000 | 18.24 |
| DSU18-2.62-37 | 2-5/8 | 3 | 3/8 | .406 | +0.015 +0.000 | 2.625 | +0.000 -0.003 | 2.626 | +0.004 +0.000 | 3.000 | +0.008 +0.000 | 2.625 | +0.000 -0.003 | 2.999 | +0.000 -0.004 | 3.000 | +0.008 +0.000 | 18.24 |
| DSU18-2.87-25 | 2-7/8 | 3-1/4 | 1/4 | .281 | +0.015 +0.000 | 2.875 | +0.000 -0.003 | 2.876 | +0.004 +0.000 | 3.250 | +0.009 +0.000 | 2.875 | +0.000 -0.003 | 3.249 | +0.000 -0.004 | 3.250 | +0.009 +0.000 | 18.44 |

U-SEALS

FORMERLY LISTED SEALS ARE AVAILABLE ONLINE AT WWW.HERCULESUS.COM
OR BY CONTACTING YOUR REGIONAL HERCULES SALES TEAM.



STYLE DSU HEAVY DUTY SYMMETRICAL U-SEALS

U-SEALS

| Part Number | A Nom. ID | B Nom. OD | C Nom. Ht | D GROOVE WIDTH | E ROD DIAMETER | F THROAT DIAMETER | G HOUSING DIAMETER | H GROOVE DIAMETER | I PISTON DIAMETER | J BORE DIAMETER | List Price |
|-----------------|-----------|-----------|-----------|--|---|---|---|---|---|---|------------|
| DSU18-2.87-37 | 2-7/8 | 3-1/4 | 3/8 | .406 ^{+0.015} / _{+0.000} | 2.875 ^{+0.000} / _{-0.003} | 2.876 ^{+0.004} / _{+0.000} | 3.250 ^{+0.009} / _{+0.000} | 2.875 ^{+0.000} / _{-0.003} | 3.249 ^{+0.000} / _{-0.004} | 3.250 ^{+0.009} / _{+0.000} | 18.44 |
| DSU18-3.00-37 | 3 | 3-3/8 | 3/8 | .406 ^{+0.015} / _{+0.000} | 3.000 ^{+0.000} / _{-0.004} | 3.001 ^{+0.004} / _{+0.000} | 3.375 ^{+0.009} / _{+0.000} | 3.000 ^{+0.000} / _{-0.004} | 3.374 ^{+0.000} / _{-0.004} | 3.375 ^{+0.009} / _{+0.000} | 18.65 |
| DSU18-3.12-37 | 3-1/8 | 3-1/2 | 3/8 | .406 ^{+0.015} / _{+0.000} | 3.125 ^{+0.000} / _{-0.004} | 3.126 ^{+0.004} / _{+0.000} | 3.500 ^{+0.009} / _{+0.000} | 3.125 ^{+0.000} / _{-0.004} | 3.499 ^{+0.000} / _{-0.004} | 3.500 ^{+0.009} / _{+0.000} | 18.89 |
| DSU18-3.25-37 | 3-1/4 | 3-5/8 | 3/8 | .406 ^{+0.015} / _{+0.000} | 3.250 ^{+0.000} / _{-0.004} | 3.251 ^{+0.004} / _{+0.000} | 3.625 ^{+0.009} / _{+0.000} | 3.250 ^{+0.000} / _{-0.004} | 3.624 ^{+0.000} / _{-0.004} | 3.625 ^{+0.009} / _{+0.000} | 19.02 |
| DSU18-3.37-37 | 3-3/8 | 3-3/4 | 3/8 | .406 ^{+0.015} / _{+0.000} | 3.375 ^{+0.000} / _{-0.004} | 3.376 ^{+0.004} / _{+0.000} | 3.750 ^{+0.009} / _{+0.000} | 3.375 ^{+0.000} / _{-0.004} | 3.749 ^{+0.000} / _{-0.004} | 3.750 ^{+0.009} / _{+0.000} | 19.02 |
| DSU18-3.50-37 | 3-1/2 | 3-7/8 | 3/8 | .406 ^{+0.015} / _{+0.000} | 3.500 ^{+0.000} / _{-0.004} | 3.501 ^{+0.004} / _{+0.000} | 3.875 ^{+0.009} / _{+0.000} | 3.500 ^{+0.000} / _{-0.004} | 3.874 ^{+0.000} / _{-0.004} | 3.875 ^{+0.009} / _{+0.000} | 19.68 |
| DSU18-3.62-25 | 3-5/8 | 4 | 1/4 | .281 ^{+0.015} / _{+0.000} | 3.625 ^{+0.000} / _{-0.004} | 3.626 ^{+0.004} / _{+0.000} | 4.000 ^{+0.009} / _{+0.000} | 3.625 ^{+0.000} / _{-0.004} | 3.999 ^{+0.000} / _{-0.004} | 4.000 ^{+0.009} / _{+0.000} | 19.87 |
| DSU18-3.62-37 | 3-5/8 | 4 | 3/8 | .406 ^{+0.015} / _{+0.000} | 3.625 ^{+0.000} / _{-0.004} | 3.626 ^{+0.004} / _{+0.000} | 4.000 ^{+0.009} / _{+0.000} | 3.625 ^{+0.000} / _{-0.004} | 3.999 ^{+0.000} / _{-0.004} | 4.000 ^{+0.009} / _{+0.000} | 19.87 |
| DSU18-3.75-37 | 3-3/4 | 4-1/8 | 3/8 | .406 ^{+0.015} / _{+0.000} | 3.750 ^{+0.000} / _{-0.004} | 3.751 ^{+0.004} / _{+0.000} | 4.125 ^{+0.009} / _{+0.000} | 3.750 ^{+0.000} / _{-0.004} | 4.124 ^{+0.000} / _{-0.004} | 4.125 ^{+0.009} / _{+0.000} | 23.94 |
| DSU18-4.00-37 | 4 | 4-3/8 | 3/8 | .406 ^{+0.015} / _{+0.000} | 4.000 ^{+0.000} / _{-0.004} | 4.001 ^{+0.004} / _{+0.000} | 4.375 ^{+0.009} / _{+0.000} | 4.000 ^{+0.000} / _{-0.004} | 4.374 ^{+0.000} / _{-0.004} | 4.375 ^{+0.009} / _{+0.000} | 24.60 |
| DSU18-4.37-37 | 4-3/8 | 4-3/4 | 3/8 | .406 ^{+0.015} / _{+0.000} | 4.375 ^{+0.000} / _{-0.004} | 4.376 ^{+0.004} / _{+0.000} | 4.750 ^{+0.009} / _{+0.000} | 4.375 ^{+0.000} / _{-0.004} | 4.749 ^{+0.000} / _{-0.004} | 4.750 ^{+0.009} / _{+0.000} | 25.47 |
| 1/4" C/S | | | | | | | | | | | |
| DSU25-0.50-25 | 1/2 | 1 | 1/4 | .281 ^{+0.015} / _{+0.000} | .500 ^{+0.000} / _{-0.003} | .501 ^{+0.003} / _{+0.000} | 1.000 ^{+0.005} / _{+0.000} | .500 ^{+0.000} / _{-0.003} | .999 ^{+0.000} / _{-0.003} | 1.000 ^{+0.005} / _{+0.000} | \$6.91 |
| DSU25-0.50-37 | 1/2 | 1 | 3/8 | .406 ^{+0.015} / _{+0.000} | .500 ^{+0.000} / _{-0.003} | .501 ^{+0.003} / _{+0.000} | 1.000 ^{+0.005} / _{+0.000} | .500 ^{+0.000} / _{-0.003} | .999 ^{+0.000} / _{-0.003} | 1.000 ^{+0.005} / _{+0.000} | 6.91 |
| DSU25-0.62-25 | 5/8 | 1-1/8 | 1/4 | .281 ^{+0.015} / _{+0.000} | .625 ^{+0.000} / _{-0.003} | .626 ^{+0.003} / _{+0.000} | 1.125 ^{+0.005} / _{+0.000} | .625 ^{+0.000} / _{-0.003} | 1.124 ^{+0.000} / _{-0.003} | 1.125 ^{+0.005} / _{+0.000} | 7.19 |
| DSU25-0.62-37 | 5/8 | 1-1/8 | 3/8 | .406 ^{+0.015} / _{+0.000} | .625 ^{+0.000} / _{-0.003} | .626 ^{+0.003} / _{+0.000} | 1.125 ^{+0.005} / _{+0.000} | .625 ^{+0.000} / _{-0.003} | 1.124 ^{+0.000} / _{-0.003} | 1.125 ^{+0.005} / _{+0.000} | 7.19 |
| DSU25-0.68-37 | 11/16 | 1-3/16 | 3/8 | .406 ^{+0.015} / _{+0.000} | .687 ^{+0.000} / _{-0.003} | .689 ^{+0.003} / _{+0.000} | 1.188 ^{+0.005} / _{+0.000} | .687 ^{+0.000} / _{-0.003} | 1.187 ^{+0.000} / _{-0.003} | 1.188 ^{+0.005} / _{+0.000} | 12.16 |
| DSU25-0.75-25 | 3/4 | 1-1/4 | 1/4 | .281 ^{+0.015} / _{+0.000} | .750 ^{+0.000} / _{-0.003} | .751 ^{+0.003} / _{+0.000} | 1.250 ^{+0.005} / _{+0.000} | .750 ^{+0.000} / _{-0.003} | 1.249 ^{+0.000} / _{-0.003} | 1.250 ^{+0.005} / _{+0.000} | 7.49 |
| DSU25-0.75-37 | 3/4 | 1-1/4 | 3/8 | .406 ^{+0.015} / _{+0.000} | .750 ^{+0.000} / _{-0.003} | .751 ^{+0.003} / _{+0.000} | 1.250 ^{+0.005} / _{+0.000} | .750 ^{+0.000} / _{-0.003} | 1.249 ^{+0.000} / _{-0.003} | 1.250 ^{+0.005} / _{+0.000} | 7.49 |
| DSU25-0.87-25 | 7/8 | 1-3/8 | 1/4 | .281 ^{+0.015} / _{+0.000} | .875 ^{+0.000} / _{-0.003} | .876 ^{+0.003} / _{+0.000} | 1.375 ^{+0.005} / _{+0.000} | .875 ^{+0.000} / _{-0.003} | 1.374 ^{+0.000} / _{-0.003} | 1.375 ^{+0.005} / _{+0.000} | 7.78 |
| DSU25-0.87-37 | 7/8 | 1-3/8 | 3/8 | .406 ^{+0.015} / _{+0.000} | .875 ^{+0.000} / _{-0.003} | .876 ^{+0.003} / _{+0.000} | 1.375 ^{+0.005} / _{+0.000} | .875 ^{+0.000} / _{-0.003} | 1.374 ^{+0.000} / _{-0.003} | 1.375 ^{+0.005} / _{+0.000} | 7.78 |
| DSU25-0.93-25 | 15/16 | 1-7/16 | 1/4 | .281 ^{+0.015} / _{+0.000} | .937 ^{+0.000} / _{-0.003} | .939 ^{+0.003} / _{+0.000} | 1.438 ^{+0.005} / _{+0.000} | .937 ^{+0.000} / _{-0.003} | 1.437 ^{+0.000} / _{-0.003} | 1.438 ^{+0.005} / _{+0.000} | 7.93 |
| DSU25-1.00-25 | 1 | 1-1/2 | 1/4 | .281 ^{+0.015} / _{+0.000} | 1.000 ^{+0.000} / _{-0.003} | 1.001 ^{+0.003} / _{+0.000} | 1.500 ^{+0.007} / _{+0.000} | 1.000 ^{+0.000} / _{-0.003} | 1.499 ^{+0.000} / _{-0.003} | 1.500 ^{+0.007} / _{+0.000} | 8.11 |
| DSU25-1.00-31 | 1 | 1-1/2 | 5/16 | .343 ^{+0.015} / _{+0.000} | 1.000 ^{+0.000} / _{-0.003} | 1.001 ^{+0.003} / _{+0.000} | 1.500 ^{+0.007} / _{+0.000} | 1.000 ^{+0.000} / _{-0.003} | 1.499 ^{+0.000} / _{-0.003} | 1.500 ^{+0.007} / _{+0.000} | 8.11 |
| DSU25-1.00-37 | 1 | 1-1/2 | 3/8 | .406 ^{+0.015} / _{+0.000} | 1.000 ^{+0.000} / _{-0.003} | 1.001 ^{+0.003} / _{+0.000} | 1.500 ^{+0.007} / _{+0.000} | 1.000 ^{+0.000} / _{-0.003} | 1.499 ^{+0.000} / _{-0.003} | 1.500 ^{+0.007} / _{+0.000} | 8.11 |
| DSU25-1.12-31 | 1-1/8 | 1-5/8 | 5/16 | .343 ^{+0.015} / _{+0.000} | 1.125 ^{+0.000} / _{-0.003} | 1.126 ^{+0.003} / _{+0.000} | 1.625 ^{+0.007} / _{+0.000} | 1.125 ^{+0.000} / _{-0.003} | 1.624 ^{+0.000} / _{-0.003} | 1.625 ^{+0.007} / _{+0.000} | 8.38 |
| DSU25-1.12-37 | 1-1/8 | 1-5/8 | 3/8 | .406 ^{+0.015} / _{+0.000} | 1.125 ^{+0.000} / _{-0.003} | 1.126 ^{+0.003} / _{+0.000} | 1.625 ^{+0.007} / _{+0.000} | 1.125 ^{+0.000} / _{-0.003} | 1.624 ^{+0.000} / _{-0.003} | 1.625 ^{+0.007} / _{+0.000} | 8.38 |
| DSU25-1.18-25 | 1-3/16 | 1-11/16 | 1/4 | .281 ^{+0.015} / _{+0.000} | 1.187 ^{+0.000} / _{-0.003} | 1.189 ^{+0.003} / _{+0.000} | 1.688 ^{+0.007} / _{+0.000} | 1.187 ^{+0.000} / _{-0.003} | 1.687 ^{+0.000} / _{-0.003} | 1.688 ^{+0.007} / _{+0.000} | 9.08 |
| DSU25-1.25-25 | 1-1/4 | 1-3/4 | 1/4 | .281 ^{+0.015} / _{+0.000} | 1.250 ^{+0.000} / _{-0.003} | 1.251 ^{+0.003} / _{+0.000} | 1.750 ^{+0.007} / _{+0.000} | 1.250 ^{+0.000} / _{-0.003} | 1.749 ^{+0.000} / _{-0.003} | 1.750 ^{+0.007} / _{+0.000} | 10.01 |
| DSU25-1.25-31 | 1-1/4 | 1-3/4 | 5/16 | .343 ^{+0.015} / _{+0.000} | 1.250 ^{+0.000} / _{-0.003} | 1.251 ^{+0.003} / _{+0.000} | 1.750 ^{+0.007} / _{+0.000} | 1.250 ^{+0.000} / _{-0.003} | 1.749 ^{+0.000} / _{-0.003} | 1.750 ^{+0.007} / _{+0.000} | 10.01 |
| DSU25-1.25-37 | 1-1/4 | 1-3/4 | 3/8 | .406 ^{+0.015} / _{+0.000} | 1.250 ^{+0.000} / _{-0.003} | 1.251 ^{+0.003} / _{+0.000} | 1.750 ^{+0.007} / _{+0.000} | 1.250 ^{+0.000} / _{-0.003} | 1.749 ^{+0.000} / _{-0.003} | 1.750 ^{+0.007} / _{+0.000} | 10.01 |
| DSU25-1.37-25 | 1-3/8 | 1-7/8 | 1/4 | .281 ^{+0.015} / _{+0.000} | 1.375 ^{+0.000} / _{-0.003} | 1.376 ^{+0.003} / _{+0.000} | 1.875 ^{+0.007} / _{+0.000} | 1.375 ^{+0.000} / _{-0.003} | 1.874 ^{+0.000} / _{-0.003} | 1.875 ^{+0.007} / _{+0.000} | 11.21 |
| DSU25-1.37-37 | 1-3/8 | 1-7/8 | 3/8 | .406 ^{+0.015} / _{+0.000} | 1.375 ^{+0.000} / _{-0.003} | 1.376 ^{+0.003} / _{+0.000} | 1.875 ^{+0.007} / _{+0.000} | 1.375 ^{+0.000} / _{-0.003} | 1.874 ^{+0.000} / _{-0.003} | 1.875 ^{+0.007} / _{+0.000} | 11.21 |

NORTH AMERICA
PHONE 1-800-777-5617
FAX 1-800-759-6391

SALES OFFICE HOURS
8 A.M. TO 7:30 P.M. EASTERN TIME
www.HerculesUS.com

WORLDWIDE
PHONE 1-727-796-1300
FAX 1-727-797-8849



STYLE DSU HEAVY DUTY SYMMETRICAL U-SEALS

| Part Number | A Nom. ID | B Nom. OD | C Nom. Ht | D GROOVE WIDTH | E ROD DIAMETER | F THROAT DIAMETER | G HOUSING DIAMETER | H GROOVE DIAMETER | I PISTON DIAMETER | J BORE DIAMETER | List Price |
|---------------|-----------|-----------|-----------|-------------------|--------------------|--------------------|--------------------|--------------------|--------------------|--------------------|------------|
| DSU25-1.50-25 | 1-1/2 | 2 | 1/4 | .281 +.015/-0.000 | 1.500 +.000/-0.003 | 1.501 +.003/+0.000 | 2.000 +.008/+0.000 | 1.500 +.000/-0.003 | 1.999 +.000/-0.004 | 2.000 +.008/+0.000 | 11.91 |
| DSU25-1.50-31 | 1-1/2 | 2 | 5/16 | .343 +.015/+0.000 | 1.500 +.000/-0.003 | 1.501 +.003/+0.000 | 2.000 +.008/+0.000 | 1.500 +.000/-0.003 | 1.999 +.000/-0.004 | 2.000 +.008/+0.000 | 11.91 |
| DSU25-1.50-37 | 1-1/2 | 2 | 3/8 | .406 +.015/+0.000 | 1.500 +.000/-0.003 | 1.501 +.003/+0.000 | 2.000 +.008/+0.000 | 1.500 +.000/-0.003 | 1.999 +.000/-0.004 | 2.000 +.008/+0.000 | 11.91 |
| DSU25-1.75-25 | 1-3/4 | 2-1/4 | 1/4 | .281 +.015/+0.000 | 1.750 +.000/-0.003 | 1.751 +.003/+0.000 | 2.250 +.008/+0.000 | 1.750 +.000/-0.003 | 2.249 +.000/-0.004 | 2.250 +.008/+0.000 | 13.40 |
| DSU25-1.75-31 | 1-3/4 | 2-1/4 | 5/16 | .343 +.015/+0.000 | 1.750 +.000/-0.003 | 1.751 +.003/+0.000 | 2.250 +.008/+0.000 | 1.750 +.000/-0.003 | 2.249 +.000/-0.004 | 2.250 +.008/+0.000 | 13.40 |
| DSU25-1.75-37 | 1-3/4 | 2-1/4 | 3/8 | .406 +.015/+0.000 | 1.750 +.000/-0.003 | 1.751 +.003/+0.000 | 2.250 +.008/+0.000 | 1.750 +.000/-0.003 | 2.249 +.000/-0.004 | 2.250 +.008/+0.000 | 13.40 |
| DSU25-2.00-25 | 2 | 2-1/2 | 1/4 | .281 +.015/+0.000 | 2.000 +.000/-0.003 | 2.001 +.004/+0.000 | 2.500 +.008/+0.000 | 2.000 +.000/-0.003 | 2.499 +.000/-0.004 | 2.500 +.008/+0.000 | 15.38 |
| DSU25-2.00-37 | 2 | 2-1/2 | 3/8 | .406 +.015/+0.000 | 2.000 +.000/-0.003 | 2.001 +.004/+0.000 | 2.500 +.008/+0.000 | 2.000 +.000/-0.003 | 2.499 +.000/-0.004 | 2.500 +.008/+0.000 | 15.38 |
| DSU25-2.12-37 | 2-1/8 | 2-5/8 | 3/8 | .406 +.015/+0.000 | 2.125 +.000/-0.003 | 2.126 +.004/+0.000 | 2.625 +.008/+0.000 | 2.125 +.000/-0.003 | 2.624 +.000/-0.004 | 2.625 +.008/+0.000 | 16.17 |
| DSU25-2.25-31 | 2-1/4 | 2-3/4 | 5/16 | .343 +.015/+0.000 | 2.250 +.000/-0.003 | 2.251 +.004/+0.000 | 2.750 +.008/+0.000 | 2.250 +.000/-0.003 | 2.749 +.000/-0.004 | 2.750 +.008/+0.000 | 16.36 |
| DSU25-2.25-37 | 2-1/4 | 2-3/4 | 3/8 | .406 +.015/+0.000 | 2.250 +.000/-0.003 | 2.251 +.004/+0.000 | 2.750 +.008/+0.000 | 2.250 +.000/-0.003 | 2.749 +.000/-0.004 | 2.750 +.008/+0.000 | 16.36 |
| DSU25-2.37-37 | 2-3/8 | 2-7/8 | 3/8 | .406 +.015/+0.000 | 2.375 +.000/-0.003 | 2.376 +.004/+0.000 | 2.875 +.008/+0.000 | 2.375 +.000/-0.003 | 2.874 +.000/-0.004 | 2.875 +.008/+0.000 | 16.64 |
| DSU25-2.50-25 | 2-1/2 | 3 | 1/4 | .281 +.015/+0.000 | 2.500 +.000/-0.003 | 2.501 +.004/+0.000 | 3.000 +.008/+0.000 | 2.500 +.000/-0.003 | 2.999 +.000/-0.004 | 3.000 +.008/+0.000 | 17.69 |
| DSU25-2.50-31 | 2-1/2 | 3 | 5/16 | .343 +.015/+0.000 | 2.500 +.000/-0.003 | 2.501 +.004/+0.000 | 3.000 +.008/+0.000 | 2.500 +.000/-0.003 | 2.999 +.000/-0.004 | 3.000 +.008/+0.000 | 17.69 |
| DSU25-2.50-37 | 2-1/2 | 3 | 3/8 | .406 +.015/+0.000 | 2.500 +.000/-0.003 | 2.501 +.004/+0.000 | 3.000 +.008/+0.000 | 2.500 +.000/-0.003 | 2.999 +.000/-0.004 | 3.000 +.008/+0.000 | 17.69 |
| DSU25-2.62-37 | 2-5/8 | 3-1/8 | 3/8 | .406 +.015/+0.000 | 2.625 +.000/-0.003 | 2.626 +.004/+0.000 | 3.125 +.008/+0.000 | 2.625 +.000/-0.003 | 3.124 +.000/-0.004 | 3.125 +.008/+0.000 | 17.98 |
| DSU25-2.75-37 | 2-3/4 | 3-1/4 | 3/8 | .406 +.015/+0.000 | 2.750 +.000/-0.003 | 2.751 +.004/+0.000 | 3.250 +.009/+0.000 | 2.750 +.000/-0.003 | 3.249 +.000/-0.004 | 3.250 +.009/+0.000 | 18.05 |
| DSU25-2.87-37 | 2-7/8 | 3-3/8 | 3/8 | .406 +.015/+0.000 | 2.875 +.000/-0.003 | 2.876 +.004/+0.000 | 3.375 +.009/+0.000 | 2.875 +.000/-0.003 | 3.374 +.000/-0.004 | 3.375 +.009/+0.000 | 18.15 |
| DSU25-3.00-25 | 3 | 3-1/2 | 1/4 | .281 +.015/+0.000 | 3.000 +.000/-0.004 | 3.001 +.004/+0.000 | 3.500 +.009/+0.000 | 3.000 +.000/-0.004 | 3.499 +.000/-0.004 | 3.500 +.009/+0.000 | 19.02 |
| DSU25-3.00-37 | 3 | 3-1/2 | 3/8 | .406 +.015/+0.000 | 3.000 +.000/-0.004 | 3.001 +.004/+0.000 | 3.500 +.009/+0.000 | 3.000 +.000/-0.004 | 3.499 +.000/-0.004 | 3.500 +.009/+0.000 | 19.09 |
| DSU25-3.25-37 | 3-1/4 | 3-3/4 | 3/8 | .406 +.015/+0.000 | 3.250 +.000/-0.004 | 3.251 +.004/+0.000 | 3.750 +.009/+0.000 | 3.250 +.000/-0.004 | 3.749 +.000/-0.004 | 3.750 +.009/+0.000 | 19.36 |
| DSU25-3.37-37 | 3-3/8 | 3-7/8 | 3/8 | .406 +.015/+0.000 | 3.375 +.000/-0.004 | 3.376 +.004/+0.000 | 3.875 +.009/+0.000 | 3.375 +.000/-0.004 | 3.874 +.000/-0.004 | 3.875 +.009/+0.000 | 19.36 |
| DSU25-3.50-25 | 3-1/2 | 4 | 1/4 | .281 +.015/+0.000 | 3.500 +.000/-0.004 | 3.501 +.004/+0.000 | 4.000 +.009/+0.000 | 3.500 +.000/-0.004 | 3.999 +.000/-0.004 | 4.000 +.009/+0.000 | 20.62 |
| DSU25-3.50-37 | 3-1/2 | 4 | 3/8 | .406 +.015/+0.000 | 3.500 +.000/-0.004 | 3.501 +.004/+0.000 | 4.000 +.009/+0.000 | 3.500 +.000/-0.004 | 3.999 +.000/-0.004 | 4.000 +.009/+0.000 | 20.62 |
| DSU25-3.62-37 | 3-5/8 | 4-1/8 | 3/8 | .406 +.015/+0.000 | 3.625 +.000/-0.004 | 3.626 +.004/+0.000 | 4.125 +.009/+0.000 | 3.625 +.000/-0.004 | 4.124 +.000/-0.004 | 4.125 +.009/+0.000 | 21.30 |
| DSU25-3.75-37 | 3-3/4 | 4-1/4 | 3/8 | .406 +.015/+0.000 | 3.750 +.000/-0.004 | 3.751 +.004/+0.000 | 4.250 +.009/+0.000 | 3.750 +.000/-0.004 | 4.249 +.000/-0.004 | 4.250 +.009/+0.000 | 21.72 |
| DSU25-4.00-56 | 4 | 4-1/2 | 9/16 | .594 +.015/+0.000 | 4.000 +.000/-0.004 | 4.001 +.004/+0.000 | 4.500 +.009/+0.000 | 4.000 +.000/-0.004 | 4.499 +.000/-0.004 | 4.500 +.009/+0.000 | 24.85 |
| DSU25-4.12-56 | 4-1/8 | 4-5/8 | 9/16 | .594 +.015/+0.000 | 4.125 +.000/-0.004 | 4.126 +.004/+0.000 | 4.625 +.009/+0.000 | 4.125 +.000/-0.004 | 4.624 +.000/-0.004 | 4.625 +.009/+0.000 | 25.06 |
| DSU25-4.25-37 | 4-1/4 | 4-3/4 | 3/8 | .406 +.015/+0.000 | 4.250 +.000/-0.004 | 4.251 +.004/+0.000 | 4.750 +.009/+0.000 | 4.250 +.000/-0.004 | 4.749 +.000/-0.004 | 4.750 +.009/+0.000 | 25.94 |
| DSU25-4.50-37 | 4-1/2 | 5 | 3/8 | .406 +.015/+0.000 | 4.500 +.000/-0.004 | 4.501 +.004/+0.000 | 5.000 +.010/+0.000 | 4.500 +.000/-0.004 | 4.999 +.000/-0.004 | 5.000 +.010/+0.000 | 28.10 |
| DSU25-4.50-50 | 4-1/2 | 5 | 1/2 | .531 +.015/+0.000 | 4.500 +.000/-0.004 | 4.501 +.004/+0.000 | 5.000 +.010/+0.000 | 4.500 +.000/-0.004 | 4.999 +.000/-0.004 | 5.000 +.010/+0.000 | 28.10 |
| DSU25-4.50-56 | 4-1/2 | 5 | 9/16 | .594 +.015/+0.000 | 4.500 +.000/-0.004 | 4.501 +.004/+0.000 | 5.000 +.010/+0.000 | 4.500 +.000/-0.004 | 4.999 +.000/-0.004 | 5.000 +.010/+0.000 | 28.10 |
| DSU25-4.75-37 | 4-3/4 | 5-1/4 | 3/8 | .406 +.015/+0.000 | 4.750 +.000/-0.004 | 4.751 +.004/+0.000 | 5.250 +.010/+0.000 | 4.750 +.000/-0.004 | 5.249 +.000/-0.004 | 5.250 +.010/+0.000 | 29.59 |

U-SEALS

FORMERLY LISTED SEALS ARE AVAILABLE ONLINE AT WWW.HERCULESUS.COM OR BY CONTACTING YOUR REGIONAL HERCULES SALES TEAM.



STYLE DSU HEAVY DUTY SYMMETRICAL U-SEALS

| Part Number | A Nom. ID | B Nom. OD | C Nom. Ht | D GROOVE WIDTH | E ROD DIAMETER | F THROAT DIAMETER | G HOUSING DIAMETER | H GROOVE DIAMETER | I PISTON DIAMETER | J BORE DIAMETER | List Price |
|---------------|-----------|-----------|-----------|--------------------------|---------------------------|---------------------------|---------------------------|---------------------------|---------------------------|---------------------------|------------|
| DSU25-4.75-56 | 4-3/4 | 5-1/4 | 9/16 | .594 +0.015 +0.000 | 4.750 +0.000 -0.004 | 4.751 +0.004 +0.000 | 5.250 +0.010 +0.000 | 4.750 +0.000 -0.004 | 5.249 +0.000 -0.004 | 5.250 +0.010 +0.000 | 29.59 |
| DSU25-5.25-56 | 5-1/4 | 5-3/4 | 9/16 | .594 +0.015 +0.000 | 5.250 +0.000 -0.004 | 5.251 +0.004 +0.000 | 5.750 +0.010 +0.000 | 5.250 +0.000 -0.004 | 5.749 +0.000 -0.004 | 5.750 +0.010 +0.000 | 34.03 |
| DSU25-5.37-37 | 5-3/8 | 5-7/8 | 3/8 | .406 +0.015 +0.000 | 5.375 +0.000 -0.004 | 5.376 +0.004 +0.000 | 5.875 +0.010 +0.000 | 5.375 +0.000 -0.004 | 5.874 +0.000 -0.004 | 5.875 +0.010 +0.000 | 35.70 |
| DSU25-5.62-37 | 5-5/8 | 6-1/8 | 3/8 | .406 +0.015 +0.000 | 5.625 +0.000 -0.004 | 5.626 +0.004 +0.000 | 6.125 +0.010 +0.000 | 5.625 +0.000 -0.004 | 6.124 +0.000 -0.004 | 6.125 +0.010 +0.000 | 39.29 |
| DSU25-6.00-37 | 6 | 6-1/2 | 3/8 | .406 +0.015 +0.000 | 6.000 +0.000 -0.004 | 6.001 +0.004 +0.000 | 6.500 +0.010 +0.000 | 6.000 +0.000 -0.004 | 6.499 +0.000 -0.004 | 6.500 +0.010 +0.000 | 52.13 |
| DSU25-6.00-56 | 6 | 6-1/2 | 9/16 | .594 +0.015 +0.000 | 6.000 +0.000 -0.004 | 6.001 +0.004 +0.000 | 6.500 +0.010 +0.000 | 6.000 +0.000 -0.004 | 6.499 +0.000 -0.004 | 6.500 +0.010 +0.000 | 52.13 |
| DSU25-6.25-50 | 6-1/4 | 6-3/4 | 1/2 | .531 +0.015 +0.000 | 6.250 +0.000 -0.004 | 6.251 +0.004 +0.000 | 6.750 +0.010 +0.000 | 6.250 +0.000 -0.004 | 6.749 +0.000 -0.004 | 6.750 +0.010 +0.000 | 54.08 |
| DSU25-6.50-37 | 6-1/2 | 7 | 3/8 | .406 +0.015 +0.000 | 6.500 +0.000 -0.004 | 6.501 +0.004 +0.000 | 7.000 +0.011 +0.000 | 6.500 +0.000 -0.004 | 6.999 +0.000 -0.004 | 7.000 +0.011 +0.000 | 56.84 |
| DSU25-6.50-50 | 6-1/2 | 7 | 1/2 | .531 +0.015 +0.000 | 6.500 +0.000 -0.004 | 6.501 +0.004 +0.000 | 7.000 +0.011 +0.000 | 6.500 +0.000 -0.004 | 6.999 +0.000 -0.004 | 7.000 +0.011 +0.000 | 56.84 |
| DSU25-7.00-56 | 7 | 7-1/2 | 9/16 | .594 +0.015 +0.000 | 7.000 +0.000 -0.005 | 7.001 +0.004 +0.000 | 7.500 +0.011 +0.000 | 7.000 +0.000 -0.005 | 7.499 +0.000 -0.004 | 7.500 +0.011 +0.000 | 60.99 |
| DSU25-8.50-37 | 8-1/2 | 9 | 3/8 | .406 +0.015 +0.000 | 8.500 +0.000 -0.005 | 8.501 +0.004 +0.000 | 9.000 +0.012 +0.000 | 8.500 +0.000 -0.005 | 8.999 +0.000 -0.004 | 9.000 +0.012 +0.000 | 90.85 |
| 5/16" C/S | | | | | | | | | | | |
| DSU31-1.25-37 | 1-1/4 | 1-7/8 | 3/8 | .406 +0.015 +0.000 | 1.250 +0.000 -0.003 | 1.251 +0.003 +0.000 | 1.875 +0.007 +0.000 | 1.250 +0.000 -0.003 | 1.874 +0.000 -0.003 | 1.875 +0.007 +0.000 | \$ 10.60 |
| DSU31-1.25-50 | 1-1/4 | 1-7/8 | 1/2 | .531 +0.015 +0.000 | 1.250 +0.000 -0.003 | 1.251 +0.003 +0.000 | 1.875 +0.007 +0.000 | 1.250 +0.000 -0.003 | 1.874 +0.000 -0.003 | 1.875 +0.007 +0.000 | 10.60 |
| DSU31-1.37-31 | 1-3/8 | 2 | 5/16 | .343 +0.015 +0.000 | 1.375 +0.000 -0.003 | 1.376 +0.003 +0.000 | 2.000 +0.008 +0.000 | 1.375 +0.000 -0.003 | 1.999 +0.000 -0.003 | 2.000 +0.008 +0.000 | 11.91 |
| DSU31-1.37-37 | 1-3/8 | 2 | 3/8 | .406 +0.015 +0.000 | 1.375 +0.000 -0.003 | 1.376 +0.003 +0.000 | 2.000 +0.008 +0.000 | 1.375 +0.000 -0.003 | 1.999 +0.000 -0.003 | 2.000 +0.008 +0.000 | 11.91 |
| DSU31-1.50-37 | 1-1/2 | 2-1/8 | 3/8 | .406 +0.015 +0.000 | 1.500 +0.000 -0.003 | 1.501 +0.003 +0.000 | 2.125 +0.008 +0.000 | 1.500 +0.000 -0.003 | 2.124 +0.000 -0.004 | 2.125 +0.008 +0.000 | 12.35 |
| DSU31-1.62-37 | 1-5/8 | 2-1/4 | 3/8 | .406 +0.015 +0.000 | 1.625 +0.000 -0.003 | 1.626 +0.003 +0.000 | 2.250 +0.008 +0.000 | 1.625 +0.000 -0.003 | 2.249 +0.000 -0.004 | 2.250 +0.008 +0.000 | 13.40 |
| DSU31-1.75-37 | 1-3/4 | 2-3/8 | 3/8 | .406 +0.015 +0.000 | 1.750 +0.000 -0.003 | 1.751 +0.003 +0.000 | 2.375 +0.008 +0.000 | 1.750 +0.000 -0.003 | 2.374 +0.000 -0.004 | 2.375 +0.008 +0.000 | 13.97 |
| DSU31-1.75-50 | 1-3/4 | 2-3/8 | 1/2 | .531 +0.015 +0.000 | 1.750 +0.000 -0.003 | 1.751 +0.003 +0.000 | 2.375 +0.008 +0.000 | 1.750 +0.000 -0.003 | 2.374 +0.000 -0.004 | 2.375 +0.008 +0.000 | 13.97 |
| DSU31-1.87-37 | 1-7/8 | 2-1/2 | 3/8 | .406 +0.015 +0.000 | 1.875 +0.000 -0.003 | 1.876 +0.003 +0.000 | 2.500 +0.008 +0.000 | 1.875 +0.000 -0.003 | 2.499 +0.000 -0.004 | 2.500 +0.008 +0.000 | 14.65 |
| DSU31-1.87-50 | 1-7/8 | 2-1/2 | 1/2 | .531 +0.015 +0.000 | 1.875 +0.000 -0.003 | 1.876 +0.003 +0.000 | 2.500 +0.008 +0.000 | 1.875 +0.000 -0.003 | 2.499 +0.000 -0.004 | 2.500 +0.008 +0.000 | 14.65 |
| DSU31-2.00-25 | 2 | 2-5/8 | 1/4 | .281 +0.015 +0.000 | 2.000 +0.000 -0.003 | 2.001 +0.004 +0.000 | 2.625 +0.008 +0.000 | 2.000 +0.000 -0.003 | 2.624 +0.000 -0.004 | 2.625 +0.008 +0.000 | 14.91 |
| DSU31-2.00-31 | 2 | 2-5/8 | 5/16 | .343 +0.015 +0.000 | 2.000 +0.000 -0.003 | 2.001 +0.004 +0.000 | 2.625 +0.008 +0.000 | 2.000 +0.000 -0.003 | 2.624 +0.000 -0.004 | 2.625 +0.008 +0.000 | 14.91 |
| DSU31-2.00-37 | 2 | 2-5/8 | 3/8 | .406 +0.015 +0.000 | 2.000 +0.000 -0.003 | 2.001 +0.004 +0.000 | 2.625 +0.008 +0.000 | 2.000 +0.000 -0.003 | 2.624 +0.000 -0.004 | 2.625 +0.008 +0.000 | 14.91 |
| DSU31-2.12-37 | 2-1/8 | 2-3/4 | 3/8 | .406 +0.015 +0.000 | 2.125 +0.000 -0.003 | 2.126 +0.004 +0.000 | 2.750 +0.008 +0.000 | 2.125 +0.000 -0.003 | 2.749 +0.000 -0.004 | 2.750 +0.008 +0.000 | 15.35 |
| DSU31-2.25-25 | 2-1/4 | 2-7/8 | 1/4 | .281 +0.015 +0.000 | 2.250 +0.000 -0.003 | 2.251 +0.004 +0.000 | 2.875 +0.008 +0.000 | 2.250 +0.000 -0.003 | 2.874 +0.000 -0.004 | 2.875 +0.008 +0.000 | 15.58 |
| DSU31-2.25-37 | 2-1/4 | 2-7/8 | 3/8 | .406 +0.015 +0.000 | 2.250 +0.000 -0.003 | 2.251 +0.004 +0.000 | 2.875 +0.008 +0.000 | 2.250 +0.000 -0.003 | 2.874 +0.000 -0.004 | 2.875 +0.008 +0.000 | 15.58 |
| DSU31-2.25-50 | 2-1/4 | 2-7/8 | 1/2 | .531 +0.015 +0.000 | 2.250 +0.000 -0.003 | 2.251 +0.004 +0.000 | 2.875 +0.008 +0.000 | 2.250 +0.000 -0.003 | 2.874 +0.000 -0.004 | 2.875 +0.008 +0.000 | 15.58 |
| DSU31-2.37-37 | 2-3/8 | 3 | 3/8 | .406 +0.015 +0.000 | 2.375 +0.000 -0.003 | 2.376 +0.004 +0.000 | 3.000 +0.008 +0.000 | 2.375 +0.000 -0.003 | 2.999 +0.000 -0.004 | 3.000 +0.008 +0.000 | 15.94 |
| DSU31-2.37-50 | 2-3/8 | 3 | 1/2 | .531 +0.015 +0.000 | 2.375 +0.000 -0.003 | 2.376 +0.004 +0.000 | 3.000 +0.008 +0.000 | 2.375 +0.000 -0.003 | 2.999 +0.000 -0.004 | 3.000 +0.008 +0.000 | 15.94 |
| DSU31-2.50-37 | 2-1/2 | 3-1/8 | 3/8 | .406 +0.015 +0.000 | 2.500 +0.000 -0.003 | 2.501 +0.004 +0.000 | 3.125 +0.008 +0.000 | 2.500 +0.000 -0.003 | 3.124 +0.000 -0.004 | 3.125 +0.008 +0.000 | 16.19 |
| DSU31-2.50-50 | 2-1/2 | 3-1/8 | 1/2 | .531 +0.015 +0.000 | 2.500 +0.000 -0.003 | 2.501 +0.004 +0.000 | 3.125 +0.008 +0.000 | 2.500 +0.000 -0.003 | 3.124 +0.000 -0.004 | 3.125 +0.008 +0.000 | 16.19 |

U-SEALS

NORTH AMERICA
PHONE 1-800-777-5617
FAX 1-800-759-6391

SALES OFFICE HOURS
8 A.M. TO 7:30 P.M. EASTERN TIME
www.HerculesUS.com

WORLDWIDE
PHONE 1-727-796-1300
FAX 1-727-797-8849



STYLE DSU HEAVY DUTY SYMMETRICAL U-SEALS

| Part Number | A Nom. ID | B Nom. OD | C Nom. Ht | D GROOVE WIDTH | E ROD DIAMETER | F THROAT DIAMETER | G HOUSING DIAMETER | H GROOVE DIAMETER | I PISTON DIAMETER | J BORE DIAMETER | List Price |
|---------------|-----------|-----------|-----------|--------------------|---------------------|---------------------|---------------------|---------------------|---------------------|---------------------|------------|
| DSU31-2.62-37 | 2-5/8 | 3-1/4 | 3/8 | .406 +.015 / +.000 | 2.625 +.000 / -.003 | 2.626 +.004 / +.000 | 3.250 +.009 / +.000 | 2.625 +.000 / -.003 | 3.249 +.000 / -.004 | 3.250 +.009 / +.000 | 16.72 |
| DSU31-2.62-50 | 2-5/8 | 3-1/4 | 1/2 | .531 +.015 / +.000 | 2.625 +.000 / -.003 | 2.626 +.004 / +.000 | 3.250 +.009 / +.000 | 2.625 +.000 / -.003 | 3.249 +.000 / -.004 | 3.250 +.009 / +.000 | 16.72 |
| DSU31-2.87-37 | 2-7/8 | 3-1/2 | 3/8 | .406 +.015 / +.000 | 2.875 +.000 / -.003 | 2.876 +.004 / +.000 | 3.500 +.009 / +.000 | 2.875 +.000 / -.003 | 3.499 +.000 / -.004 | 3.500 +.009 / +.000 | 16.80 |
| DSU31-2.87-50 | 2-7/8 | 3-1/2 | 1/2 | .531 +.015 / +.000 | 2.875 +.000 / -.003 | 2.876 +.004 / +.000 | 3.500 +.009 / +.000 | 2.875 +.000 / -.003 | 3.499 +.000 / -.004 | 3.500 +.009 / +.000 | 19.09 |
| DSU31-3.00-37 | 3 | 3-5/8 | 3/8 | .406 +.015 / +.000 | 3.000 +.000 / -.004 | 3.001 +.004 / +.000 | 3.625 +.009 / +.000 | 3.000 +.000 / -.004 | 3.624 +.000 / -.004 | 3.625 +.009 / +.000 | 19.61 |
| DSU31-3.00-50 | 3 | 3-5/8 | 1/2 | .531 +.015 / +.000 | 3.000 +.000 / -.004 | 3.001 +.004 / +.000 | 3.625 +.009 / +.000 | 3.000 +.000 / -.004 | 3.624 +.000 / -.004 | 3.625 +.009 / +.000 | 19.61 |
| DSU31-3.12-37 | 3-1/8 | 3-3/4 | 3/8 | .406 +.015 / +.000 | 3.125 +.000 / -.004 | 3.126 +.004 / +.000 | 3.750 +.009 / +.000 | 3.125 +.000 / -.004 | 3.749 +.000 / -.004 | 3.750 +.009 / +.000 | 20.54 |
| DSU31-3.12-50 | 3-1/8 | 3-3/4 | 1/2 | .531 +.015 / +.000 | 3.125 +.000 / -.004 | 3.126 +.004 / +.000 | 3.750 +.009 / +.000 | 3.125 +.000 / -.004 | 3.749 +.000 / -.004 | 3.750 +.009 / +.000 | 20.54 |
| DSU31-3.50-37 | 3-1/2 | 4-1/8 | 3/8 | .406 +.015 / +.000 | 3.500 +.000 / -.004 | 3.501 +.004 / +.000 | 4.125 +.009 / +.000 | 3.500 +.000 / -.004 | 4.124 +.000 / -.004 | 4.125 +.009 / +.000 | 21.09 |
| DSU31-3.50-50 | 3-1/2 | 4-1/8 | 1/2 | .531 +.015 / +.000 | 3.500 +.000 / -.004 | 3.501 +.004 / +.000 | 4.125 +.009 / +.000 | 3.500 +.000 / -.004 | 4.124 +.000 / -.004 | 4.125 +.009 / +.000 | 21.09 |
| DSU31-3.62-37 | 3-5/8 | 4-1/4 | 3/8 | .406 +.015 / +.000 | 3.625 +.000 / -.004 | 3.626 +.004 / +.000 | 4.250 +.009 / +.000 | 3.625 +.000 / -.004 | 4.249 +.000 / -.004 | 4.250 +.009 / +.000 | 22.30 |
| DSU31-3.87-37 | 3-7/8 | 4-1/2 | 3/8 | .406 +.015 / +.000 | 3.875 +.000 / -.004 | 3.876 +.004 / +.000 | 4.500 +.009 / +.000 | 3.875 +.000 / -.004 | 4.499 +.000 / -.004 | 4.500 +.009 / +.000 | 24.60 |
| DSU31-3.87-50 | 3-7/8 | 4-1/2 | 1/2 | .531 +.015 / +.000 | 3.875 +.000 / -.004 | 3.876 +.004 / +.000 | 4.500 +.009 / +.000 | 3.875 +.000 / -.004 | 4.499 +.000 / -.004 | 4.500 +.009 / +.000 | 24.60 |
| DSU31-4.00-37 | 4 | 4-5/8 | 3/8 | .406 +.015 / +.000 | 4.000 +.000 / -.004 | 4.001 +.004 / +.000 | 4.625 +.009 / +.000 | 4.000 +.000 / -.004 | 4.624 +.000 / -.004 | 4.625 +.009 / +.000 | 25.05 |
| DSU31-4.12-50 | 4-1/8 | 4-3/4 | 1/2 | .531 +.015 / +.000 | 4.125 +.000 / -.004 | 4.126 +.004 / +.000 | 4.750 +.009 / +.000 | 4.125 +.000 / -.004 | 4.749 +.000 / -.004 | 4.750 +.009 / +.000 | 26.88 |
| DSU31-4.37-37 | 4-3/8 | 5 | 3/8 | .406 +.015 / +.000 | 4.375 +.000 / -.004 | 4.376 +.004 / +.000 | 5.000 +.010 / +.000 | 4.375 +.000 / -.004 | 4.999 +.000 / -.004 | 5.000 +.010 / +.000 | 31.40 |
| DSU31-4.37-50 | 4-3/8 | 5 | 1/2 | .531 +.015 / +.000 | 4.375 +.000 / -.004 | 4.376 +.004 / +.000 | 5.000 +.010 / +.000 | 4.375 +.000 / -.004 | 4.999 +.000 / -.004 | 5.000 +.010 / +.000 | 31.40 |
| DSU31-4.37-56 | 4-3/8 | 5 | 9/16 | .594 +.015 / +.000 | 4.375 +.000 / -.004 | 4.376 +.004 / +.000 | 5.000 +.010 / +.000 | 4.375 +.000 / -.004 | 4.999 +.000 / -.004 | 5.000 +.010 / +.000 | 31.40 |
| DSU31-4.50-37 | 4-1/2 | 5-1/8 | 3/8 | .406 +.015 / +.000 | 4.500 +.000 / -.004 | 4.501 +.004 / +.000 | 5.125 +.010 / +.000 | 4.500 +.000 / -.004 | 5.124 +.000 / -.004 | 5.125 +.010 / +.000 | 33.73 |
| DSU31-4.50-62 | 4-1/2 | 5-1/8 | 5/8 | .656 +.015 / +.000 | 4.500 +.000 / -.004 | 4.501 +.004 / +.000 | 5.125 +.010 / +.000 | 4.500 +.000 / -.004 | 5.124 +.000 / -.004 | 5.125 +.010 / +.000 | 33.73 |
| DSU31-4.75-37 | 4-3/4 | 5-3/8 | 3/8 | .406 +.015 / +.000 | 4.750 +.000 / -.004 | 4.751 +.004 / +.000 | 5.375 +.010 / +.000 | 4.750 +.000 / -.004 | 5.374 +.000 / -.004 | 5.375 +.010 / +.000 | 33.73 |
| DSU31-4.75-50 | 4-3/4 | 5-3/8 | 1/2 | .531 +.015 / +.000 | 4.750 +.000 / -.004 | 4.751 +.004 / +.000 | 5.375 +.010 / +.000 | 4.750 +.000 / -.004 | 5.374 +.000 / -.004 | 5.375 +.010 / +.000 | 33.73 |
| DSU31-4.75-62 | 4-3/4 | 5-3/8 | 5/8 | .656 +.015 / +.000 | 4.750 +.000 / -.004 | 4.751 +.004 / +.000 | 5.375 +.010 / +.000 | 4.750 +.000 / -.004 | 5.374 +.000 / -.004 | 5.375 +.010 / +.000 | 44.67 |
| DSU31-4.87-37 | 4-7/8 | 5-1/2 | 3/8 | .406 +.015 / +.000 | 4.875 +.000 / -.004 | 4.876 +.004 / +.000 | 5.500 +.010 / +.000 | 4.875 +.000 / -.004 | 5.499 +.000 / -.004 | 5.500 +.010 / +.000 | 34.07 |
| DSU31-4.87-50 | 4-7/8 | 5-1/2 | 1/2 | .531 +.015 / +.000 | 4.875 +.000 / -.004 | 4.876 +.004 / +.000 | 5.500 +.010 / +.000 | 4.875 +.000 / -.004 | 5.499 +.000 / -.004 | 5.500 +.010 / +.000 | 34.07 |
| DSU31-5.12-37 | 5-1/8 | 5-3/4 | 3/8 | .406 +.015 / +.000 | 5.125 +.000 / -.004 | 5.126 +.004 / +.000 | 5.750 +.010 / +.000 | 5.125 +.000 / -.004 | 5.749 +.000 / -.004 | 5.750 +.010 / +.000 | 34.54 |
| DSU31-5.12-50 | 5-1/8 | 5-3/4 | 1/2 | .531 +.015 / +.000 | 5.125 +.000 / -.004 | 5.126 +.004 / +.000 | 5.750 +.010 / +.000 | 5.125 +.000 / -.004 | 5.749 +.000 / -.004 | 5.750 +.010 / +.000 | 34.54 |
| DSU31-5.25-37 | 5-1/4 | 5-7/8 | 3/8 | .406 +.015 / +.000 | 5.250 +.000 / -.004 | 5.251 +.004 / +.000 | 5.875 +.010 / +.000 | 5.250 +.000 / -.004 | 5.874 +.000 / -.004 | 5.875 +.010 / +.000 | 35.92 |
| DSU31-5.37-37 | 5-3/8 | 6 | 3/8 | .406 +.015 / +.000 | 5.375 +.000 / -.004 | 5.376 +.004 / +.000 | 6.000 +.010 / +.000 | 5.375 +.000 / -.004 | 5.999 +.000 / -.004 | 6.000 +.010 / +.000 | 36.86 |
| DSU31-5.37-50 | 5-3/8 | 6 | 1/2 | .531 +.015 / +.000 | 5.375 +.000 / -.004 | 5.376 +.004 / +.000 | 6.000 +.010 / +.000 | 5.375 +.000 / -.004 | 5.999 +.000 / -.004 | 6.000 +.010 / +.000 | 36.86 |
| DSU31-5.37-62 | 5-3/8 | 6 | 5/8 | .656 +.015 / +.000 | 5.375 +.000 / -.004 | 5.376 +.004 / +.000 | 6.000 +.010 / +.000 | 5.375 +.000 / -.004 | 5.999 +.000 / -.004 | 6.000 +.010 / +.000 | 41.05 |
| DSU31-5.50-37 | 5-1/2 | 6-1/8 | 3/8 | .406 +.015 / +.000 | 5.500 +.000 / -.004 | 5.501 +.004 / +.000 | 6.125 +.010 / +.000 | 5.500 +.000 / -.004 | 6.124 +.000 / -.004 | 6.125 +.010 / +.000 | 44.90 |
| DSU31-5.62-50 | 5-5/8 | 6-1/4 | 1/2 | .531 +.015 / +.000 | 5.625 +.000 / -.004 | 5.626 +.004 / +.000 | 6.250 +.010 / +.000 | 5.625 +.000 / -.004 | 6.249 +.000 / -.004 | 6.250 +.010 / +.000 | 44.89 |

U-SEALS

FORMERLY LISTED SEALS ARE AVAILABLE ONLINE AT WWW.HERCULESUS.COM
OR BY CONTACTING YOUR REGIONAL HERCULES SALES TEAM.



STYLE DSU HEAVY DUTY SYMMETRICAL U-SEALS

| Part Number | A Nom. ID | B Nom. OD | C Nom. Ht | D GROOVE WIDTH | E ROD DIAMETER | F THROAT DIAMETER | G HOUSING DIAMETER | H GROOVE DIAMETER | I PISTON DIAMETER | J BORE DIAMETER | List Price |
|-----------------|-----------|-----------|-----------|--|---|---|---|---|---|---|------------|
| DSU31-5.87-37 | 5-7/8 | 6-1/2 | 3/8 | .406 ^{+0.015} / _{+0.000} | 5.875 ^{+0.000} / _{-0.004} | 5.876 ^{+0.004} / _{+0.000} | 6.500 ^{+0.010} / _{+0.000} | 5.875 ^{+0.000} / _{-0.004} | 6.499 ^{+0.000} / _{-0.004} | 6.500 ^{+0.010} / _{+0.000} | 44.97 |
| 3/8" C/S | | | | | | | | | | | |
| DSU37-1.25-37 | 1-1/4 | 2 | 3/8 | .406 ^{+0.015} / _{+0.000} | 1.250 ^{+0.000} / _{-0.003} | 1.251 ^{+0.003} / _{+0.000} | 2.000 ^{+0.008} / _{+0.000} | 1.250 ^{+0.000} / _{-0.003} | 1.999 ^{+0.000} / _{-0.003} | 2.000 ^{+0.008} / _{+0.000} | \$ 11.12 |
| DSU37-1.25-43 | 1-1/4 | 2 | 7/16 | .468 ^{+0.015} / _{+0.000} | 1.250 ^{+0.000} / _{-0.003} | 1.251 ^{+0.003} / _{+0.000} | 2.000 ^{+0.008} / _{+0.000} | 1.250 ^{+0.000} / _{-0.003} | 1.999 ^{+0.000} / _{-0.003} | 2.000 ^{+0.008} / _{+0.000} | 11.12 |
| DSU37-1.25-50 | 1-1/4 | 2 | 1/2 | .531 ^{+0.015} / _{+0.000} | 1.250 ^{+0.000} / _{-0.003} | 1.251 ^{+0.003} / _{+0.000} | 2.000 ^{+0.008} / _{+0.000} | 1.250 ^{+0.000} / _{-0.003} | 1.999 ^{+0.000} / _{-0.003} | 2.000 ^{+0.008} / _{+0.000} | 11.12 |
| DSU37-1.50-37 | 1-1/2 | 2-1/4 | 3/8 | .406 ^{+0.015} / _{+0.000} | 1.500 ^{+0.000} / _{-0.003} | 1.501 ^{+0.003} / _{+0.000} | 2.250 ^{+0.008} / _{+0.000} | 1.500 ^{+0.000} / _{-0.003} | 2.249 ^{+0.000} / _{-0.004} | 2.250 ^{+0.008} / _{+0.000} | 13.40 |
| DSU37-1.50-50 | 1-1/2 | 2-1/4 | 1/2 | .531 ^{+0.015} / _{+0.000} | 1.500 ^{+0.000} / _{-0.003} | 1.501 ^{+0.003} / _{+0.000} | 2.250 ^{+0.008} / _{+0.000} | 1.500 ^{+0.000} / _{-0.003} | 2.249 ^{+0.000} / _{-0.004} | 2.250 ^{+0.008} / _{+0.000} | 17.71 |
| DSU37-1.62-37 | 1-5/8 | 2-3/8 | 3/8 | .406 ^{+0.015} / _{+0.000} | 1.625 ^{+0.000} / _{-0.003} | 1.626 ^{+0.003} / _{+0.000} | 2.375 ^{+0.008} / _{+0.000} | 1.625 ^{+0.000} / _{-0.003} | 2.374 ^{+0.000} / _{-0.004} | 2.375 ^{+0.008} / _{+0.000} | 13.97 |
| DSU37-1.62-50 | 1-5/8 | 2-3/8 | 1/2 | .531 ^{+0.015} / _{+0.000} | 1.625 ^{+0.000} / _{-0.003} | 1.626 ^{+0.003} / _{+0.000} | 2.375 ^{+0.008} / _{+0.000} | 1.625 ^{+0.000} / _{-0.003} | 2.374 ^{+0.000} / _{-0.004} | 2.375 ^{+0.008} / _{+0.000} | 13.97 |
| DSU37-1.75-37 | 1-3/4 | 2-1/2 | 3/8 | .406 ^{+0.015} / _{+0.000} | 1.750 ^{+0.000} / _{-0.003} | 1.751 ^{+0.003} / _{+0.000} | 2.500 ^{+0.008} / _{+0.000} | 1.750 ^{+0.000} / _{-0.003} | 2.499 ^{+0.000} / _{-0.004} | 2.500 ^{+0.008} / _{+0.000} | 14.65 |
| DSU37-1.75-62 | 1-3/4 | 2-1/2 | 5/8 | .656 ^{+0.015} / _{+0.000} | 1.750 ^{+0.000} / _{-0.003} | 1.751 ^{+0.003} / _{+0.000} | 2.500 ^{+0.008} / _{+0.000} | 1.750 ^{+0.000} / _{-0.003} | 2.499 ^{+0.000} / _{-0.004} | 2.500 ^{+0.008} / _{+0.000} | 14.65 |
| DSU37-2.00-37 | 2 | 2-3/4 | 3/8 | .406 ^{+0.015} / _{+0.000} | 2.000 ^{+0.000} / _{-0.003} | 2.001 ^{+0.004} / _{+0.000} | 2.750 ^{+0.008} / _{+0.000} | 2.000 ^{+0.000} / _{-0.003} | 2.749 ^{+0.000} / _{-0.004} | 2.750 ^{+0.008} / _{+0.000} | 18.12 |
| DSU37-2.00-50 | 2 | 2-3/4 | 1/2 | .531 ^{+0.015} / _{+0.000} | 2.000 ^{+0.000} / _{-0.003} | 2.001 ^{+0.004} / _{+0.000} | 2.750 ^{+0.008} / _{+0.000} | 2.000 ^{+0.000} / _{-0.003} | 2.749 ^{+0.000} / _{-0.004} | 2.750 ^{+0.008} / _{+0.000} | 18.12 |
| DSU37-2.25-37 | 2-1/4 | 3 | 3/8 | .406 ^{+0.015} / _{+0.000} | 2.250 ^{+0.000} / _{-0.003} | 2.251 ^{+0.004} / _{+0.000} | 3.000 ^{+0.008} / _{+0.000} | 2.250 ^{+0.000} / _{-0.003} | 2.999 ^{+0.000} / _{-0.004} | 3.000 ^{+0.008} / _{+0.000} | 19.01 |
| DSU37-2.25-50 | 2-1/4 | 3 | 1/2 | .531 ^{+0.015} / _{+0.000} | 2.250 ^{+0.000} / _{-0.003} | 2.251 ^{+0.004} / _{+0.000} | 3.000 ^{+0.008} / _{+0.000} | 2.250 ^{+0.000} / _{-0.003} | 2.999 ^{+0.000} / _{-0.004} | 3.000 ^{+0.008} / _{+0.000} | 19.01 |
| DSU37-2.25-62 | 2-1/4 | 3 | 5/8 | .656 ^{+0.015} / _{+0.000} | 2.250 ^{+0.000} / _{-0.003} | 2.251 ^{+0.004} / _{+0.000} | 3.000 ^{+0.008} / _{+0.000} | 2.250 ^{+0.000} / _{-0.003} | 2.999 ^{+0.000} / _{-0.004} | 3.000 ^{+0.008} / _{+0.000} | 19.01 |
| DSU37-2.50-37 | 2-1/2 | 3-1/4 | 3/8 | .406 ^{+0.015} / _{+0.000} | 2.500 ^{+0.000} / _{-0.003} | 2.501 ^{+0.004} / _{+0.000} | 3.250 ^{+0.009} / _{+0.000} | 2.500 ^{+0.000} / _{-0.003} | 3.249 ^{+0.000} / _{-0.004} | 3.250 ^{+0.009} / _{+0.000} | 19.29 |
| DSU37-2.50-50 | 2-1/2 | 3-1/4 | 1/2 | .531 ^{+0.015} / _{+0.000} | 2.500 ^{+0.000} / _{-0.003} | 2.501 ^{+0.004} / _{+0.000} | 3.250 ^{+0.009} / _{+0.000} | 2.500 ^{+0.000} / _{-0.003} | 3.249 ^{+0.000} / _{-0.004} | 3.250 ^{+0.009} / _{+0.000} | 19.29 |
| DSU37-2.50-62 | 2-1/2 | 3-1/4 | 5/8 | .656 ^{+0.015} / _{+0.000} | 2.500 ^{+0.000} / _{-0.003} | 2.501 ^{+0.004} / _{+0.000} | 3.250 ^{+0.009} / _{+0.000} | 2.500 ^{+0.000} / _{-0.003} | 3.249 ^{+0.000} / _{-0.004} | 3.250 ^{+0.009} / _{+0.000} | 19.29 |
| DSU37-2.62-37 | 2-5/8 | 3-3/8 | 3/8 | .406 ^{+0.015} / _{+0.000} | 2.625 ^{+0.000} / _{-0.003} | 2.626 ^{+0.004} / _{+0.000} | 3.375 ^{+0.009} / _{+0.000} | 2.625 ^{+0.000} / _{-0.003} | 3.374 ^{+0.000} / _{-0.004} | 3.375 ^{+0.009} / _{+0.000} | 20.15 |
| DSU37-2.62-62 | 2-5/8 | 3-3/8 | 5/8 | .656 ^{+0.015} / _{+0.000} | 2.625 ^{+0.000} / _{-0.003} | 2.626 ^{+0.004} / _{+0.000} | 3.375 ^{+0.009} / _{+0.000} | 2.625 ^{+0.000} / _{-0.003} | 3.374 ^{+0.000} / _{-0.004} | 3.375 ^{+0.009} / _{+0.000} | 20.15 |
| DSU37-2.75-37 | 2-3/4 | 3-1/2 | 3/8 | .406 ^{+0.015} / _{+0.000} | 2.750 ^{+0.000} / _{-0.003} | 2.751 ^{+0.004} / _{+0.000} | 3.500 ^{+0.009} / _{+0.000} | 2.750 ^{+0.000} / _{-0.003} | 3.499 ^{+0.000} / _{-0.004} | 3.500 ^{+0.009} / _{+0.000} | 20.72 |
| DSU37-2.75-50 | 2-3/4 | 3-1/2 | 1/2 | .531 ^{+0.015} / _{+0.000} | 2.750 ^{+0.000} / _{-0.003} | 2.751 ^{+0.004} / _{+0.000} | 3.500 ^{+0.009} / _{+0.000} | 2.750 ^{+0.000} / _{-0.003} | 3.499 ^{+0.000} / _{-0.004} | 3.500 ^{+0.009} / _{+0.000} | 20.72 |
| DSU37-2.75-62 | 2-3/4 | 3-1/2 | 5/8 | .656 ^{+0.015} / _{+0.000} | 2.750 ^{+0.000} / _{-0.003} | 2.751 ^{+0.004} / _{+0.000} | 3.500 ^{+0.009} / _{+0.000} | 2.750 ^{+0.000} / _{-0.003} | 3.499 ^{+0.000} / _{-0.004} | 3.500 ^{+0.009} / _{+0.000} | 20.72 |
| DSU37-3.00-37 | 3 | 3-3/4 | 3/8 | .406 ^{+0.015} / _{+0.000} | 3.000 ^{+0.000} / _{-0.004} | 3.001 ^{+0.004} / _{+0.000} | 3.750 ^{+0.009} / _{+0.000} | 3.000 ^{+0.000} / _{-0.004} | 3.749 ^{+0.000} / _{-0.004} | 3.750 ^{+0.009} / _{+0.000} | 21.48 |
| DSU37-3.00-50 | 3 | 3-3/4 | 1/2 | .531 ^{+0.015} / _{+0.000} | 3.000 ^{+0.000} / _{-0.004} | 3.001 ^{+0.004} / _{+0.000} | 3.750 ^{+0.009} / _{+0.000} | 3.000 ^{+0.000} / _{-0.004} | 3.749 ^{+0.000} / _{-0.004} | 3.750 ^{+0.009} / _{+0.000} | 21.48 |
| DSU37-3.00-62 | 3 | 3-3/4 | 5/8 | .656 ^{+0.015} / _{+0.000} | 3.000 ^{+0.000} / _{-0.004} | 3.001 ^{+0.004} / _{+0.000} | 3.750 ^{+0.009} / _{+0.000} | 3.000 ^{+0.000} / _{-0.004} | 3.749 ^{+0.000} / _{-0.004} | 3.750 ^{+0.009} / _{+0.000} | 21.48 |
| DSU37-3.25-37 | 3-1/4 | 4 | 3/8 | .406 ^{+0.015} / _{+0.000} | 3.250 ^{+0.000} / _{-0.004} | 3.251 ^{+0.004} / _{+0.000} | 4.000 ^{+0.009} / _{+0.000} | 3.250 ^{+0.000} / _{-0.004} | 3.999 ^{+0.000} / _{-0.004} | 4.000 ^{+0.009} / _{+0.000} | 22.63 |
| DSU37-3.25-50 | 3-1/4 | 4 | 1/2 | .531 ^{+0.015} / _{+0.000} | 3.250 ^{+0.000} / _{-0.004} | 3.251 ^{+0.004} / _{+0.000} | 4.000 ^{+0.009} / _{+0.000} | 3.250 ^{+0.000} / _{-0.004} | 3.999 ^{+0.000} / _{-0.004} | 4.000 ^{+0.009} / _{+0.000} | 22.63 |
| DSU37-3.25-62 | 3-1/4 | 4 | 5/8 | .656 ^{+0.015} / _{+0.000} | 3.250 ^{+0.000} / _{-0.004} | 3.251 ^{+0.004} / _{+0.000} | 4.000 ^{+0.009} / _{+0.000} | 3.250 ^{+0.000} / _{-0.004} | 3.999 ^{+0.000} / _{-0.004} | 4.000 ^{+0.009} / _{+0.000} | 22.63 |
| DSU37-3.50-37 | 3-1/2 | 4-1/4 | 3/8 | .406 ^{+0.015} / _{+0.000} | 3.500 ^{+0.000} / _{-0.004} | 3.501 ^{+0.004} / _{+0.000} | 4.250 ^{+0.009} / _{+0.000} | 3.500 ^{+0.000} / _{-0.004} | 4.249 ^{+0.000} / _{-0.004} | 4.250 ^{+0.009} / _{+0.000} | 22.63 |
| DSU37-3.50-50 | 3-1/2 | 4-1/4 | 1/2 | .531 ^{+0.015} / _{+0.000} | 3.500 ^{+0.000} / _{-0.004} | 3.501 ^{+0.004} / _{+0.000} | 4.250 ^{+0.009} / _{+0.000} | 3.500 ^{+0.000} / _{-0.004} | 4.249 ^{+0.000} / _{-0.004} | 4.250 ^{+0.009} / _{+0.000} | 22.63 |
| DSU37-3.50-62 | 3-1/2 | 4-1/4 | 5/8 | .656 ^{+0.015} / _{+0.000} | 3.500 ^{+0.000} / _{-0.004} | 3.501 ^{+0.004} / _{+0.000} | 4.250 ^{+0.009} / _{+0.000} | 3.500 ^{+0.000} / _{-0.004} | 4.249 ^{+0.000} / _{-0.004} | 4.250 ^{+0.009} / _{+0.000} | 54.68 |

STYLE DSU HEAVY DUTY SYMMETRICAL U-SEALS

U-SEALS

| Part Number | A Nom. ID | B Nom. OD | C Nom. Ht | D GROOVE WIDTH | E ROD DIAMETER | F THROAT DIAMETER | G HOUSING DIAMETER | H GROOVE DIAMETER | I PISTON DIAMETER | J BORE DIAMETER | List Price |
|---------------|-----------|-----------|-----------|--------------------|---------------------|---------------------|---------------------|---------------------|---------------------|---------------------|------------|
| DSU37-3.75-37 | 3-3/4 | 4-1/2 | 3/8 | .406 +.015 / +.000 | 3.750 +.000 / -.004 | 3.751 +.004 / +.000 | 4.500 +.009 / +.000 | 3.750 +.000 / -.004 | 4.499 +.000 / -.004 | 4.500 +.009 / +.000 | 26.23 |
| DSU37-3.75-50 | 3-3/4 | 4-1/2 | 1/2 | .531 +.015 / +.000 | 3.750 +.000 / -.004 | 3.751 +.004 / +.000 | 4.500 +.009 / +.000 | 3.750 +.000 / -.004 | 4.499 +.000 / -.004 | 4.500 +.009 / +.000 | 26.23 |
| DSU37-3.75-62 | 3-3/4 | 4-1/2 | 5/8 | .656 +.015 / +.000 | 3.750 +.000 / -.004 | 3.751 +.004 / +.000 | 4.500 +.009 / +.000 | 3.750 +.000 / -.004 | 4.499 +.000 / -.004 | 4.500 +.009 / +.000 | 26.23 |
| DSU37-4.00-37 | 4 | 4-3/4 | 3/8 | .406 +.015 / +.000 | 4.000 +.000 / -.004 | 4.001 +.004 / +.000 | 4.750 +.009 / +.000 | 4.000 +.000 / -.004 | 4.749 +.000 / -.004 | 4.750 +.009 / +.000 | 28.44 |
| DSU37-4.00-50 | 4 | 4-3/4 | 1/2 | .531 +.015 / +.000 | 4.000 +.000 / -.004 | 4.001 +.004 / +.000 | 4.750 +.009 / +.000 | 4.000 +.000 / -.004 | 4.749 +.000 / -.004 | 4.750 +.009 / +.000 | 28.44 |
| DSU37-4.00-62 | 4 | 4-3/4 | 5/8 | .656 +.015 / +.000 | 4.000 +.000 / -.004 | 4.001 +.004 / +.000 | 4.750 +.009 / +.000 | 4.000 +.000 / -.004 | 4.749 +.000 / -.004 | 4.750 +.009 / +.000 | 28.44 |
| DSU37-4.12-62 | 4-1/8 | 4-7/8 | 5/8 | .656 +.015 / +.000 | 4.125 +.000 / -.004 | 4.126 +.004 / +.000 | 4.875 +.009 / +.000 | 4.125 +.000 / -.004 | 4.874 +.000 / -.004 | 4.875 +.009 / +.000 | 28.93 |
| DSU37-4.25-37 | 4-1/4 | 5 | 3/8 | .406 +.015 / +.000 | 4.250 +.000 / -.004 | 4.251 +.004 / +.000 | 5.000 +.010 / +.000 | 4.250 +.000 / -.004 | 4.999 +.000 / -.004 | 5.000 +.010 / +.000 | 28.93 |
| DSU37-4.25-50 | 4-1/4 | 5 | 1/2 | .531 +.015 / +.000 | 4.250 +.000 / -.004 | 4.251 +.004 / +.000 | 5.000 +.010 / +.000 | 4.250 +.000 / -.004 | 4.999 +.000 / -.004 | 5.000 +.010 / +.000 | 28.93 |
| DSU37-4.25-62 | 4-1/4 | 5 | 5/8 | .656 +.015 / +.000 | 4.250 +.000 / -.004 | 4.251 +.004 / +.000 | 5.000 +.010 / +.000 | 4.250 +.000 / -.004 | 4.999 +.000 / -.004 | 5.000 +.010 / +.000 | 38.02 |
| DSU37-4.50-50 | 4-1/2 | 5-1/4 | 1/2 | .531 +.015 / +.000 | 4.500 +.000 / -.004 | 4.501 +.004 / +.000 | 5.250 +.010 / +.000 | 4.500 +.000 / -.004 | 5.249 +.000 / -.004 | 5.250 +.010 / +.000 | 29.86 |
| DSU37-4.50-62 | 4-1/2 | 5-1/4 | 5/8 | .656 +.015 / +.000 | 4.500 +.000 / -.004 | 4.501 +.004 / +.000 | 5.250 +.010 / +.000 | 4.500 +.000 / -.004 | 5.249 +.000 / -.004 | 5.250 +.010 / +.000 | 29.86 |
| DSU37-4.62-50 | 4-5/8 | 5-3/8 | 1/2 | .531 +.015 / +.000 | 4.625 +.000 / -.004 | 4.626 +.004 / +.000 | 5.375 +.010 / +.000 | 4.625 +.000 / -.004 | 5.374 +.000 / -.004 | 5.375 +.010 / +.000 | 30.98 |
| DSU37-4.75-50 | 4-3/4 | 5-1/2 | 1/2 | .531 +.015 / +.000 | 4.750 +.000 / -.004 | 4.751 +.004 / +.000 | 5.500 +.010 / +.000 | 4.750 +.000 / -.004 | 5.499 +.000 / -.004 | 5.500 +.010 / +.000 | 31.90 |
| DSU37-4.75-62 | 4-3/4 | 5-1/2 | 5/8 | .656 +.015 / +.000 | 4.750 +.000 / -.004 | 4.751 +.004 / +.000 | 5.500 +.010 / +.000 | 4.750 +.000 / -.004 | 5.499 +.000 / -.004 | 5.500 +.010 / +.000 | 31.90 |
| DSU37-4.87-50 | 4-7/8 | 5-5/8 | 1/2 | .531 +.015 / +.000 | 4.875 +.000 / -.004 | 4.876 +.004 / +.000 | 5.625 +.010 / +.000 | 4.875 +.000 / -.004 | 5.624 +.000 / -.004 | 5.625 +.010 / +.000 | 34.98 |
| DSU37-5.25-37 | 5-1/4 | 6 | 3/8 | .406 +.015 / +.000 | 5.250 +.000 / -.004 | 5.251 +.004 / +.000 | 6.000 +.010 / +.000 | 5.250 +.000 / -.004 | 5.999 +.000 / -.004 | 6.000 +.010 / +.000 | 36.86 |
| DSU37-5.25-50 | 5-1/4 | 6 | 1/2 | .531 +.015 / +.000 | 5.250 +.000 / -.004 | 5.251 +.004 / +.000 | 6.000 +.010 / +.000 | 5.250 +.000 / -.004 | 5.999 +.000 / -.004 | 6.000 +.010 / +.000 | 36.86 |
| DSU37-5.25-62 | 5-1/4 | 6 | 5/8 | .656 +.015 / +.000 | 5.250 +.000 / -.004 | 5.251 +.004 / +.000 | 6.000 +.010 / +.000 | 5.250 +.000 / -.004 | 5.999 +.000 / -.004 | 6.000 +.010 / +.000 | 36.86 |
| DSU37-5.37-50 | 5-3/8 | 6-1/8 | 1/2 | .531 +.015 / +.000 | 5.375 +.000 / -.004 | 5.376 +.004 / +.000 | 6.125 +.010 / +.000 | 5.375 +.000 / -.004 | 6.124 +.000 / -.004 | 6.125 +.010 / +.000 | 37.54 |
| DSU37-5.50-37 | 5-1/2 | 6-1/4 | 3/8 | .406 +.015 / +.000 | 5.500 +.000 / -.004 | 5.501 +.004 / +.000 | 6.250 +.010 / +.000 | 5.500 +.000 / -.004 | 6.249 +.000 / -.004 | 6.250 +.010 / +.000 | 40.47 |
| DSU37-5.50-50 | 5-1/2 | 6-1/4 | 1/2 | .531 +.015 / +.000 | 5.500 +.000 / -.004 | 5.501 +.004 / +.000 | 6.250 +.010 / +.000 | 5.500 +.000 / -.004 | 6.249 +.000 / -.004 | 6.250 +.010 / +.000 | 40.47 |
| DSU37-5.62-62 | 5-5/8 | 6-3/8 | 5/8 | .656 +.015 / +.000 | 5.625 +.000 / -.004 | 5.626 +.004 / +.000 | 6.375 +.010 / +.000 | 5.625 +.000 / -.004 | 6.374 +.000 / -.004 | 6.375 +.010 / +.000 | 42.29 |
| DSU37-5.75-50 | 5-3/4 | 6-1/2 | 1/2 | .531 +.015 / +.000 | 5.750 +.000 / -.004 | 5.751 +.004 / +.000 | 6.500 +.010 / +.000 | 5.750 +.000 / -.004 | 6.499 +.000 / -.004 | 6.500 +.010 / +.000 | 44.60 |
| DSU37-5.75-62 | 5-3/4 | 6-1/2 | 5/8 | .656 +.015 / +.000 | 5.750 +.000 / -.004 | 5.751 +.004 / +.000 | 6.500 +.010 / +.000 | 5.750 +.000 / -.004 | 6.499 +.000 / -.004 | 6.500 +.010 / +.000 | 53.06 |
| DSU37-6.25-50 | 6-1/4 | 7 | 1/2 | .531 +.015 / +.000 | 6.250 +.000 / -.004 | 6.251 +.004 / +.000 | 7.000 +.011 / +.000 | 6.250 +.000 / -.004 | 6.999 +.000 / -.004 | 7.000 +.011 / +.000 | 55.14 |
| DSU37-6.25-62 | 6-1/4 | 7 | 5/8 | .656 +.015 / +.000 | 6.250 +.000 / -.004 | 6.251 +.004 / +.000 | 7.000 +.011 / +.000 | 6.250 +.000 / -.004 | 6.999 +.000 / -.004 | 7.000 +.011 / +.000 | 55.14 |
| DSU37-6.50-50 | 6-1/2 | 7-1/4 | 1/2 | .531 +.015 / +.000 | 6.500 +.000 / -.004 | 6.501 +.004 / +.000 | 7.250 +.011 / +.000 | 6.500 +.000 / -.004 | 7.249 +.000 / -.004 | 7.250 +.011 / +.000 | 60.71 |
| DSU37-6.50-62 | 6-1/2 | 7-1/4 | 5/8 | .656 +.015 / +.000 | 6.500 +.000 / -.004 | 6.501 +.004 / +.000 | 7.250 +.011 / +.000 | 6.500 +.000 / -.004 | 7.249 +.000 / -.004 | 7.250 +.011 / +.000 | 60.72 |
| DSU37-6.75-50 | 6-3/4 | 7-1/2 | 1/2 | .531 +.015 / +.000 | 6.750 +.000 / -.004 | 6.751 +.004 / +.000 | 7.500 +.011 / +.000 | 6.750 +.000 / -.004 | 7.499 +.000 / -.004 | 7.500 +.011 / +.000 | 62.43 |
| DSU37-7.00-50 | 7 | 7-3/4 | 1/2 | .531 +.015 / +.000 | 7.000 +.000 / -.005 | 7.001 +.004 / +.000 | 7.750 +.011 / +.000 | 7.000 +.000 / -.005 | 7.749 +.000 / -.004 | 7.750 +.011 / +.000 | 64.79 |
| DSU37-7.00-62 | 7 | 7-3/4 | 5/8 | .656 +.015 / +.000 | 7.000 +.000 / -.005 | 7.001 +.004 / +.000 | 7.750 +.011 / +.000 | 7.000 +.000 / -.005 | 7.749 +.000 / -.004 | 7.750 +.011 / +.000 | 68.07 |
| DSU37-7.25-50 | 7-1/4 | 8 | 1/2 | .531 +.015 / +.000 | 7.250 +.000 / -.005 | 7.251 +.004 / +.000 | 8.000 +.011 / +.000 | 7.250 +.000 / -.005 | 7.999 +.000 / -.004 | 8.000 +.011 / +.000 | 70.37 |

FORMERLY LISTED SEALS ARE AVAILABLE ONLINE AT WWW.HERCULESUS.COM
OR BY CONTACTING YOUR REGIONAL HERCULES SALES TEAM.



STYLE DSU HEAVY DUTY SYMMETRICAL U-SEALS

| Part Number | A Nom. ID | B Nom. OD | C Nom. Ht | D GROOVE WIDTH | E ROD DIAMETER | F THROAT DIAMETER | G HOUSING DIAMETER | H GROOVE DIAMETER | I PISTON DIAMETER | J BORE DIAMETER | List Price |
|-----------------|-----------|-----------|-----------|---|--|--|--|--|--|--|------------|
| DSU37-7.75-50 | 7-3/4 | 8-1/2 | 1/2 | .531 ^{+0.015} / _{+0.000} | 7.750 ^{+0.000} / _{-0.005} | 7.751 ^{+0.004} / _{+0.000} | 8.500 ^{+0.011} / _{+0.000} | 7.750 ^{+0.000} / _{-0.005} | 8.499 ^{+0.000} / _{-0.004} | 8.500 ^{+0.011} / _{+0.000} | 73.54 |
| DSU37-8.25-50 | 8-1/4 | 9 | 1/2 | .531 ^{+0.015} / _{+0.000} | 8.250 ^{+0.000} / _{-0.005} | 8.251 ^{+0.004} / _{+0.000} | 9.000 ^{+0.012} / _{+0.000} | 8.250 ^{+0.000} / _{-0.005} | 8.999 ^{+0.000} / _{-0.004} | 9.000 ^{+0.012} / _{+0.000} | 101.30 |
| DSU37-8.50-62 | 8-1/2 | 9-1/4 | 5/8 | .656 ^{+0.015} / _{+0.000} | 8.500 ^{+0.000} / _{-0.005} | 8.501 ^{+0.004} / _{+0.000} | 9.250 ^{+0.012} / _{+0.000} | 8.500 ^{+0.000} / _{-0.005} | 9.249 ^{+0.000} / _{-0.004} | 9.250 ^{+0.012} / _{+0.000} | 106.86 |
| 1/2" C/S | | | | | | | | | | | |
| DSU50-1.87-62 | 1-7/8 | 2-7/8 | 5/8 | .656 ^{+0.015} / _{+0.000} | 1.875 ^{+0.000} / _{-0.003} | 1.876 ^{+0.003} / _{+0.000} | 2.875 ^{+0.008} / _{+0.000} | 1.875 ^{+0.000} / _{-0.003} | 2.874 ^{+0.000} / _{-0.004} | 2.875 ^{+0.008} / _{+0.000} | \$25.75 |
| DSU50-2.50-68 | 2-1/2 | 3-1/2 | 11/16 | .718 ^{+0.015} / _{+0.000} | 2.500 ^{+0.000} / _{-0.003} | 2.501 ^{+0.004} / _{+0.000} | 3.500 ^{+0.009} / _{+0.000} | 2.500 ^{+0.000} / _{-0.003} | 3.499 ^{+0.000} / _{-0.004} | 3.500 ^{+0.009} / _{+0.000} | 34.24 |
| DSU50-3.00-62 | 3 | 4 | 5/8 | .656 ^{+0.015} / _{+0.000} | 3.000 ^{+0.000} / _{-0.004} | 3.001 ^{+0.004} / _{+0.000} | 4.000 ^{+0.009} / _{+0.000} | 3.000 ^{+0.000} / _{-0.004} | 3.999 ^{+0.000} / _{-0.004} | 4.000 ^{+0.009} / _{+0.000} | 39.17 |
| DSU50-3.50-50 | 3-1/2 | 4-1/2 | 1/2 | .531 ^{+0.015} / _{+0.000} | 3.500 ^{+0.000} / _{-0.004} | 3.501 ^{+0.004} / _{+0.000} | 4.500 ^{+0.009} / _{+0.000} | 3.500 ^{+0.000} / _{-0.004} | 4.499 ^{+0.000} / _{-0.004} | 4.500 ^{+0.009} / _{+0.000} | 23.88 |
| DSU50-3.50-62 | 3-1/2 | 4-1/2 | 5/8 | .656 ^{+0.015} / _{+0.000} | 3.500 ^{+0.000} / _{-0.004} | 3.501 ^{+0.004} / _{+0.000} | 4.500 ^{+0.009} / _{+0.000} | 3.500 ^{+0.000} / _{-0.004} | 4.499 ^{+0.000} / _{-0.004} | 4.500 ^{+0.009} / _{+0.000} | 23.88 |
| DSU50-6.00-62 | 6 | 7 | 5/8 | .656 ^{+0.015} / _{+0.000} | 6.000 ^{+0.000} / _{-0.004} | 6.001 ^{+0.004} / _{+0.000} | 7.000 ^{+0.011} / _{+0.000} | 6.000 ^{+0.000} / _{-0.004} | 6.999 ^{+0.000} / _{-0.004} | 7.000 ^{+0.011} / _{+0.000} | 56.35 |
| DSU50-6.00-75 | 6 | 7 | 3/4 | .781 ^{+0.015} / _{+0.000} | 6.000 ^{+0.000} / _{-0.004} | 6.001 ^{+0.004} / _{+0.000} | 7.000 ^{+0.011} / _{+0.000} | 6.000 ^{+0.000} / _{-0.004} | 6.999 ^{+0.000} / _{-0.004} | 7.000 ^{+0.011} / _{+0.000} | 67.06 |
| DSU50-6.50-75 | 6-1/2 | 7-1/2 | 3/4 | .781 ^{+0.015} / _{+0.000} | 6.500 ^{+0.000} / _{-0.004} | 6.501 ^{+0.004} / _{+0.000} | 7.500 ^{+0.011} / _{+0.000} | 6.500 ^{+0.000} / _{-0.004} | 7.499 ^{+0.000} / _{-0.004} | 7.500 ^{+0.011} / _{+0.000} | 69.72 |
| DSU50-7.00-62 | 7 | 8 | 5/8 | .656 ^{+0.015} / _{+0.000} | 7.000 ^{+0.000} / _{-0.005} | 7.001 ^{+0.004} / _{+0.000} | 8.000 ^{+0.011} / _{+0.000} | 7.000 ^{+0.000} / _{-0.005} | 7.999 ^{+0.000} / _{-0.004} | 8.000 ^{+0.011} / _{+0.000} | 73.58 |
| DSU50-7.00-75 | 7 | 8 | 3/4 | .781 ^{+0.015} / _{+0.000} | 7.000 ^{+0.000} / _{-0.005} | 7.001 ^{+0.004} / _{+0.000} | 8.000 ^{+0.011} / _{+0.000} | 7.000 ^{+0.000} / _{-0.005} | 7.999 ^{+0.000} / _{-0.004} | 8.000 ^{+0.011} / _{+0.000} | 91.38 |
| DSU50-7.50-75 | 7-1/2 | 8-1/2 | 3/4 | .781 ^{+0.015} / _{+0.000} | 7.500 ^{+0.000} / _{-0.005} | 7.501 ^{+0.004} / _{+0.000} | 8.500 ^{+0.011} / _{+0.000} | 7.500 ^{+0.000} / _{-0.005} | 8.499 ^{+0.000} / _{-0.004} | 8.500 ^{+0.011} / _{+0.000} | 75.66 |
| DSU50-7.75-75 | 7-3/4 | 8-3/4 | 3/4 | .781 ^{+0.015} / _{+0.000} | 7.750 ^{+0.000} / _{-0.005} | 7.751 ^{+0.004} / _{+0.000} | 8.750 ^{+0.011} / _{+0.000} | 7.750 ^{+0.000} / _{-0.005} | 8.749 ^{+0.000} / _{-0.004} | 8.750 ^{+0.011} / _{+0.000} | 86.60 |
| DSU50-8.00-62 | 8 | 9 | 5/8 | .656 ^{+0.015} / _{+0.000} | 8.000 ^{+0.000} / _{-0.005} | 8.001 ^{+0.004} / _{+0.000} | 9.000 ^{+0.012} / _{+0.000} | 8.000 ^{+0.000} / _{-0.005} | 8.999 ^{+0.000} / _{-0.004} | 9.000 ^{+0.012} / _{+0.000} | 89.70 |
| DSU50-8.00-75 | 8 | 9 | 3/4 | .781 ^{+0.015} / _{+0.000} | 8.000 ^{+0.000} / _{-0.005} | 8.001 ^{+0.004} / _{+0.000} | 9.000 ^{+0.012} / _{+0.000} | 8.000 ^{+0.000} / _{-0.005} | 8.999 ^{+0.000} / _{-0.004} | 9.000 ^{+0.012} / _{+0.000} | 101.08 |
| DSU50-9.00-62 | 9 | 10 | 5/8 | .656 ^{+0.015} / _{+0.000} | 9.000 ^{+0.000} / _{-0.005} | 9.001 ^{+0.004} / _{+0.000} | 10.000 ^{+0.012} / _{+0.000} | 9.000 ^{+0.000} / _{-0.005} | 9.999 ^{+0.000} / _{-0.004} | 10.000 ^{+0.012} / _{+0.000} | 118.52 |
| DSU50-9.00-75 | 9 | 10 | 3/4 | .781 ^{+0.015} / _{+0.000} | 9.000 ^{+0.000} / _{-0.005} | 9.001 ^{+0.004} / _{+0.000} | 10.000 ^{+0.012} / _{+0.000} | 9.000 ^{+0.000} / _{-0.005} | 9.999 ^{+0.000} / _{-0.004} | 10.000 ^{+0.012} / _{+0.000} | 118.52 |
| DSU50-10.00-75 | 10 | 11 | 3/4 | .781 ^{+0.015} / _{+0.000} | 10.000 ^{+0.000} / _{-0.006} | 10.001 ^{+0.004} / _{+0.000} | 11.000 ^{+0.012} / _{+0.000} | 10.000 ^{+0.000} / _{-0.006} | 10.999 ^{+0.000} / _{-0.004} | 11.000 ^{+0.012} / _{+0.000} | 124.95 |
| DSU50-11.00-75 | 11 | 12 | 3/4 | .781 ^{+0.015} / _{+0.000} | 11.000 ^{+0.000} / _{-0.006} | 11.001 ^{+0.004} / _{+0.000} | 12.000 ^{+0.012} / _{+0.000} | 11.000 ^{+0.000} / _{-0.006} | 11.999 ^{+0.000} / _{-0.004} | 12.000 ^{+0.012} / _{+0.000} | 175.82 |
| DSU50-12.00-75 | 12 | 13 | 3/4 | .781 ^{+0.015} / _{+0.000} | 12.000 ^{+0.000} / _{-0.006} | 12.001 ^{+0.004} / _{+0.000} | 13.000 ^{+0.012} / _{+0.000} | 12.000 ^{+0.000} / _{-0.006} | 12.999 ^{+0.000} / _{-0.004} | 13.000 ^{+0.012} / _{+0.000} | 201.16 |
| DSU50-15.00-75 | 15 | 16 | 3/4 | .781 ^{+0.015} / _{+0.000} | 15.000 ^{+0.000} / _{-0.006} | 15.001 ^{+0.004} / _{+0.000} | 16.000 ^{+0.012} / _{+0.000} | 15.000 ^{+0.000} / _{-0.006} | 15.999 ^{+0.000} / _{-0.004} | 16.000 ^{+0.012} / _{+0.000} | 317.38 |
| DSU50-17.00-75 | 17 | 18 | 3/4 | .781 ^{+0.015} / _{+0.000} | 17.000 ^{+0.000} / _{-0.006} | 17.001 ^{+0.004} / _{+0.000} | 18.000 ^{+0.012} / _{+0.000} | 17.000 ^{+0.000} / _{-0.006} | 17.999 ^{+0.000} / _{-0.004} | 18.000 ^{+0.012} / _{+0.000} | 338.65 |
| 5/8" C/S | | | | | | | | | | | |
| DSU62-3.75-62 | 3-3/4 | 5 | 5/8 | .656 ^{+0.015} / _{+0.000} | 3.750 ^{+0.000} / _{-0.004} | 3.751 ^{+0.004} / _{+0.000} | 5.000 ^{+0.010} / _{+0.000} | 3.750 ^{+0.000} / _{-0.004} | 4.999 ^{+0.000} / _{-0.004} | 5.000 ^{+0.010} / _{+0.000} | \$43.78 |
| 3/4" C/S | | | | | | | | | | | |
| DSU75-12.50-100 | 12-1/2 | 14 | 1 | 1.031 ^{+0.015} / _{+0.000} | 12.500 ^{+0.000} / _{-0.006} | 12.501 ^{+0.004} / _{+0.000} | 14.000 ^{+0.012} / _{+0.000} | 12.500 ^{+0.000} / _{-0.006} | 13.999 ^{+0.000} / _{-0.004} | 14.000 ^{+0.012} / _{+0.000} | \$200.63 |

Seal color may vary. Special order sizes are available. Sizes not shown and out of stock items can also be ordered for next day delivery through Seals On Demand, our custom seal program. Please call your regional sales team for assistance.

NORTH AMERICA
PHONE 1-800-777-5617
FAX 1-800-759-6391

SALES OFFICE HOURS
8 A.M. TO 7:30 P.M. EASTERN TIME
www.HerculesUS.com

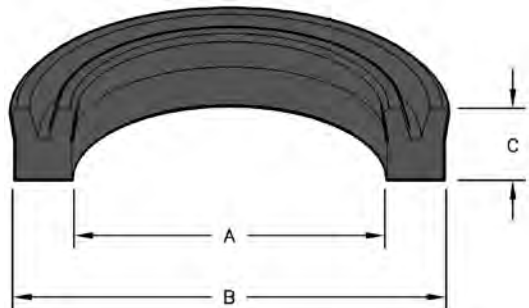
WORLDWIDE
PHONE 1-727-796-1300
FAX 1-727-797-8849

NEW FOR 2015

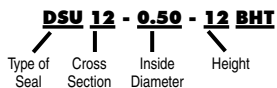


STYLE DSU-BHT HEAVY DUTY SYMMETRICAL U-SEALS

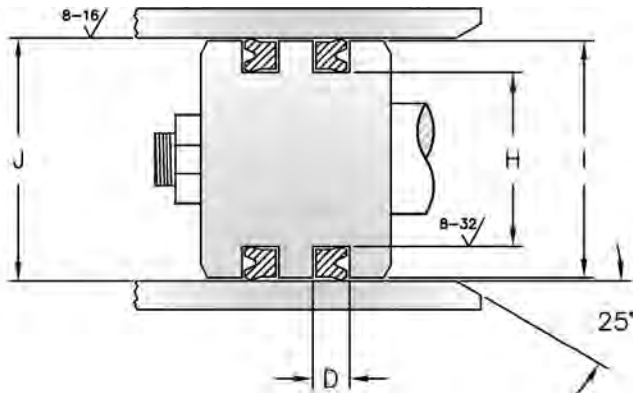
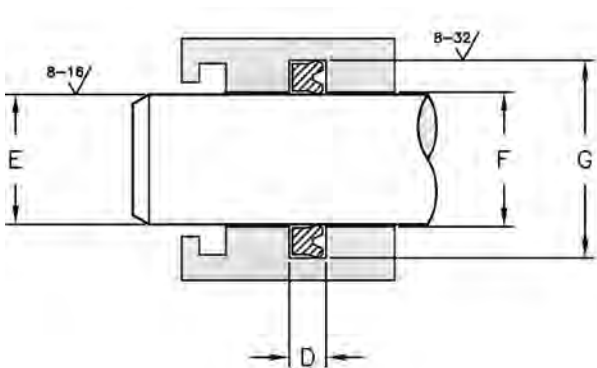
Style DSU-BHT symmetrical seals are molded in Freudenberg® AU 30000 urethane. Used interchangeably for piston or rod sealing. This high tear-resistant urethane demonstrates stability throughout a wide range of temperatures. In addition, this material is well suited to mineral and biodegradable hydraulic fluids as well as being resistant to hydrolysis.



HERCULES PART NUMBERS



| SEAL INFORMATION | |
|-------------------|----------------|
| MATERIAL | URETHANE |
| TEMPERATURE RANGE | -31°F TO 250°F |
| PRESSURE RANGE | 0 TO 5000 PSI |
| SPEED | 1.5 FT/SEC |



U-SEALS

| Part Number | A Nom. ID | B Nom. OD | C Nom. Ht | D GROOVE WIDTH | E ROD DIAMETER | F THROAT DIAMETER | G HOUSING DIAMETER | H GROOVE DIAMETER | I PISTON DIAMETER | J BORE DIAMETER | List Price |
|-------------------|-----------|-----------|-----------|---------------------|----------------------|----------------------|----------------------|----------------------|----------------------|----------------------|------------|
| 1/8" C/S | | | | | | | | | | | |
| DSU12-0.50-12-BHT | 1/2 | 3/4 | 1/8 | .156 +.015 +.000 | .500 +.000 -.003 | .501 +.003 +.000 | .750 +.005 +.000 | .500 +.000 -.003 | .749 +.000 -.003 | .750 +.005 +.000 | \$10.16 |
| DSU12-0.62-12-BHT | 5/8 | 7/8 | 1/8 | .156 +.015 +.000 | .625 +.000 -.003 | .626 +.003 +.000 | .875 +.005 +.000 | .625 +.000 -.003 | .874 +.000 -.003 | .875 +.005 +.000 | 10.35 |
| DSU12-0.75-12-BHT | 3/4 | 1 | 1/8 | .156 +.015 +.000 | .750 +.000 -.003 | .751 +.003 +.000 | 1.000 +.005 +.000 | .750 +.000 -.003 | .999 +.000 -.003 | 1.000 +.005 +.000 | 10.35 |
| DSU12-0.75-18-BHT | 3/4 | 1 | 3/16 | .218 +.015 +.000 | .750 +.000 -.003 | .751 +.003 +.000 | 1.000 +.005 +.000 | .750 +.000 -.003 | .999 +.000 -.003 | 1.000 +.005 +.000 | 10.35 |
| DSU12-0.75-25-BHT | 3/4 | 1 | 1/4 | .281 +.015 +.000 | .750 +.000 -.003 | .751 +.003 +.000 | 1.000 +.005 +.000 | .750 +.000 -.003 | .999 +.000 -.003 | 1.000 +.005 +.000 | 10.35 |
| DSU12-1.00-12-BHT | 1 | 1-1/4 | 1/8 | .156 +.015 +.000 | 1.000 +.000 -.003 | 1.001 +.003 +.000 | 1.250 +.005 +.000 | 1.000 +.000 -.003 | 1.249 +.000 -.003 | 1.250 +.005 +.000 | 10.92 |
| DSU12-1.00-18-BHT | 1 | 1-1/4 | 3/16 | .218 +.015 +.000 | 1.000 +.000 -.003 | 1.001 +.003 +.000 | 1.250 +.005 +.000 | 1.000 +.000 -.003 | 1.249 +.000 -.003 | 1.250 +.005 +.000 | 10.92 |
| DSU12-1.25-18-BHT | 1-1/4 | 1-1/2 | 3/16 | .218 +.015 +.000 | 1.250 +.000 -.003 | 1.251 +.003 +.000 | 1.500 +.007 +.000 | 1.250 +.000 -.003 | 1.499 +.000 -.003 | 1.500 +.007 +.000 | 12.80 |
| DSU12-1.25-25-BHT | 1-1/4 | 1-1/2 | 1/4 | .281 +.015 +.000 | 1.250 +.000 -.003 | 1.251 +.003 +.000 | 1.500 +.007 +.000 | 1.250 +.000 -.003 | 1.499 +.000 -.003 | 1.500 +.007 +.000 | 12.80 |
| 3/16" C/S | | | | | | | | | | | |
| DSU18-1.25-31-BHT | 1-1/4 | 1-5/8 | 5/16 | .343 +.015 +.000 | 1.250 +.000 -.003 | 1.251 +.003 +.000 | 1.625 +.007 +.000 | 1.250 +.000 -.003 | 1.624 +.000 -.003 | 1.625 +.007 +.000 | \$13.27 |
| DSU18-1.37-31-BHT | 1-3/8 | 1-3/4 | 5/16 | .343 +.015 +.000 | 1.375 +.000 -.003 | 1.376 +.003 +.000 | 1.750 +.007 +.000 | 1.375 +.000 -.003 | 1.749 +.000 -.003 | 1.750 +.007 +.000 | 13.27 |
| DSU18-1.50-25-BHT | 1-1/2 | 1-7/8 | 1/4 | .281 +.015 +.000 | 1.500 +.000 -.003 | 1.501 +.003 +.000 | 1.875 +.007 +.000 | 1.500 +.000 -.003 | 1.874 +.000 -.003 | 1.875 +.007 +.000 | 13.93 |

FORMERLY LISTED SEALS ARE AVAILABLE ONLINE AT WWW.HERCULESUS.COM
OR BY CONTACTING YOUR REGIONAL HERCULES SALES TEAM.



STYLE DSU-BHT HEAVY DUTY SYMMETRICAL U-SEALS

| Part Number | A Nom. ID | B Nom. OD | C Nom. Ht | D GROOVE WIDTH | E ROD DIAMETER | F THROAT DIAMETER | G HOUSING DIAMETER | H GROOVE DIAMETER | I PISTON DIAMETER | J BORE DIAMETER | List Price |
|-------------------|-----------|-----------|-----------|--------------------------|---------------------------|---------------------------|---------------------------|---------------------------|---------------------------|---------------------------|------------|
| DSU18-1.50-37-BHT | 1-1/2 | 1-7/8 | 3/8 | .406 +0.015 +0.000 | 1.500 +0.000 -0.003 | 1.501 +0.003 +0.000 | 1.875 +0.007 +0.000 | 1.500 +0.000 -0.003 | 1.874 +0.000 -0.003 | 1.875 +0.007 +0.000 | 13.93 |
| DSU18-1.62-25-BHT | 1-5/8 | 2 | 1/4 | .281 +0.015 +0.000 | 1.625 +0.000 -0.003 | 1.626 +0.003 +0.000 | 2.000 +0.008 +0.000 | 1.625 +0.000 -0.003 | 1.999 +0.000 -0.004 | 2.000 +0.008 +0.000 | 13.93 |
| DSU18-1.75-37-BHT | 1-3/4 | 2-1/8 | 3/8 | .406 +0.015 +0.000 | 1.750 +0.000 -0.003 | 1.751 +0.003 +0.000 | 2.125 +0.008 +0.000 | 1.750 +0.000 -0.003 | 2.124 +0.000 -0.004 | 2.125 +0.008 +0.000 | 16.19 |
| DSU18-2.00-37-BHT | 2 | 2-3/8 | 3/8 | .406 +0.015 +0.000 | 2.000 +0.000 -0.003 | 2.001 +0.004 +0.000 | 2.375 +0.008 +0.000 | 2.000 +0.000 -0.003 | 2.374 +0.000 -0.004 | 2.375 +0.008 +0.000 | 17.69 |
| DSU18-2.62-37-BHT | 2-5/8 | 3 | 3/8 | .406 +0.015 +0.000 | 2.625 +0.000 -0.003 | 2.626 +0.004 +0.000 | 3.000 +0.008 +0.000 | 2.625 +0.000 -0.003 | 2.999 +0.000 -0.004 | 3.000 +0.008 +0.000 | 20.70 |
| 1/4" C/S | | | | | | | | | | | |
| DSU25-1.00-37-BHT | 1 | 1-1/2 | 3/8 | .406 +0.015 +0.000 | 1.000 +0.000 -0.003 | 1.001 +0.003 +0.000 | 1.500 +0.007 +0.000 | 1.000 +0.000 -0.003 | 1.499 +0.000 -0.003 | 1.500 +0.007 +0.000 | \$ 12.80 |
| DSU25-1.25-37-BHT | 1-1/4 | 1-3/4 | 3/8 | .406 +0.015 +0.000 | 1.250 +0.000 -0.003 | 1.251 +0.003 +0.000 | 1.750 +0.007 +0.000 | 1.250 +0.000 -0.003 | 1.749 +0.000 -0.003 | 1.750 +0.007 +0.000 | 13.27 |
| DSU25-1.50-25-BHT | 1-1/2 | 2 | 1/4 | .281 +0.015 +0.000 | 1.500 +0.000 -0.003 | 1.501 +0.003 +0.000 | 2.000 +0.008 +0.000 | 1.500 +0.000 -0.003 | 1.999 +0.000 -0.004 | 2.000 +0.008 +0.000 | 13.93 |
| DSU25-1.50-37-BHT | 1-1/2 | 2 | 3/8 | .406 +0.015 +0.000 | 1.500 +0.000 -0.003 | 1.501 +0.003 +0.000 | 2.000 +0.008 +0.000 | 1.500 +0.000 -0.003 | 1.999 +0.000 -0.004 | 2.000 +0.008 +0.000 | 13.93 |
| DSU25-2.00-25-BHT | 2 | 2-1/2 | 1/4 | .281 +0.015 +0.000 | 2.000 +0.000 -0.003 | 2.001 +0.004 +0.000 | 2.500 +0.008 +0.000 | 2.000 +0.000 -0.003 | 2.499 +0.000 -0.004 | 2.500 +0.008 +0.000 | 18.63 |
| DSU25-2.00-37-BHT | 2 | 2-1/2 | 3/8 | .406 +0.015 +0.000 | 2.000 +0.000 -0.003 | 2.001 +0.004 +0.000 | 2.500 +0.008 +0.000 | 2.000 +0.000 -0.003 | 2.499 +0.000 -0.004 | 2.500 +0.008 +0.000 | 18.63 |
| DSU25-2.12-37-BHT | 2-1/8 | 2-5/8 | 3/8 | .406 +0.015 +0.000 | 2.125 +0.000 -0.003 | 2.126 +0.004 +0.000 | 2.625 +0.008 +0.000 | 2.125 +0.000 -0.003 | 2.624 +0.000 -0.004 | 2.625 +0.008 +0.000 | 19.57 |
| DSU25-2.25-37-BHT | 2-1/4 | 2-3/4 | 3/8 | .406 +0.015 +0.000 | 2.250 +0.000 -0.003 | 2.251 +0.004 +0.000 | 2.750 +0.008 +0.000 | 2.250 +0.000 -0.003 | 2.749 +0.000 -0.004 | 2.750 +0.008 +0.000 | 19.57 |
| DSU25-2.50-25-BHT | 2-1/2 | 3 | 1/4 | .281 +0.015 +0.000 | 2.500 +0.000 -0.003 | 2.501 +0.004 +0.000 | 3.000 +0.008 +0.000 | 2.500 +0.000 -0.003 | 2.999 +0.000 -0.004 | 3.000 +0.008 +0.000 | 20.70 |
| DSU25-2.50-37-BHT | 2-1/2 | 3 | 3/8 | .406 +0.015 +0.000 | 2.500 +0.000 -0.003 | 2.501 +0.004 +0.000 | 3.000 +0.008 +0.000 | 2.500 +0.000 -0.003 | 2.999 +0.000 -0.004 | 3.000 +0.008 +0.000 | 20.70 |
| DSU25-3.00-37-BHT | 3 | 3-1/2 | 3/8 | .406 +0.015 +0.000 | 3.000 +0.000 -0.004 | 3.001 +0.004 +0.000 | 3.500 +0.009 +0.000 | 3.000 +0.000 -0.004 | 3.499 +0.000 -0.004 | 3.500 +0.009 +0.000 | 22.89 |
| DSU25-3.50-37-BHT | 3-1/2 | 4 | 3/8 | .406 +0.015 +0.000 | 3.500 +0.000 -0.004 | 3.501 +0.004 +0.000 | 4.000 +0.009 +0.000 | 3.500 +0.000 -0.004 | 3.999 +0.000 -0.004 | 4.000 +0.009 +0.000 | 27.08 |
| 1/2" C/S | | | | | | | | | | | |
| DSU50-1.87-62-BHT | 1-7/8 | 2-7/8 | 5/8 | .656 +0.015 +0.000 | 1.875 +0.000 -0.003 | 1.876 +0.003 +0.000 | 2.875 +0.008 +0.000 | 1.875 +0.000 -0.003 | 2.874 +0.000 -0.004 | 2.875 +0.008 +0.000 | \$ 20.70 |

U-SEALS

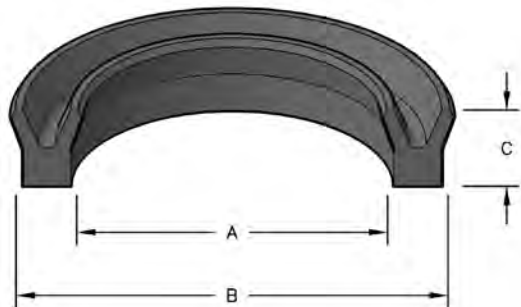
NORTH AMERICA
PHONE 1-800-777-5617
FAX 1-800-759-6391

SALES OFFICE HOURS
8 A.M. TO 7:30 P.M. EASTERN TIME
www.HerculesUS.com

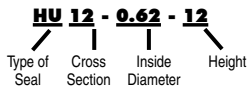
WORLDWIDE
PHONE 1-727-796-1300
FAX 1-727-797-8849

STYLE HU SYMMETRICAL URETHANE U-SEALS

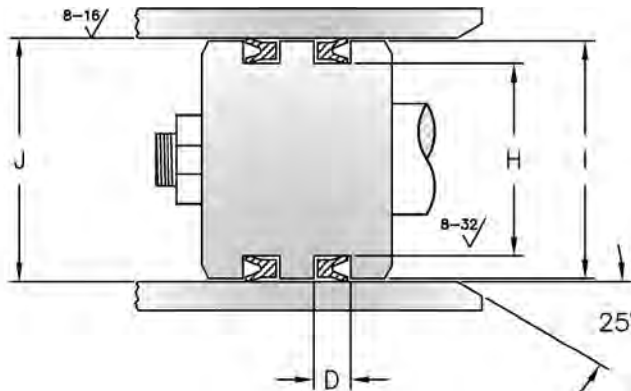
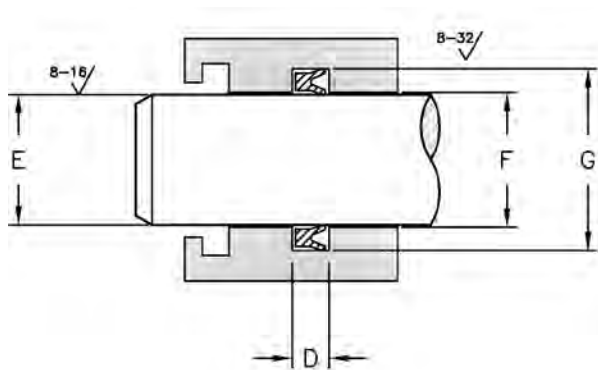
Style HU seals feature a reverse bevel lip design and are molded from high quality urethane. The balanced symmetrical design makes them ideal for rod or piston applications.



HERCULES PART NUMBERS



| SEAL INFORMATION | |
|-------------------|-----------------|
| MATERIAL | 90A URETHANE |
| TEMPERATURE RANGE | -50° TO +200° F |
| PRESSURE RANGE | 0 TO 5,000 PSI |
| SPEED | 3 FT/SEC |



U-SEALS

| Part Number | A Nom. ID | B Nom. OD | C Nom. Ht | D GROOVE WIDTH | E ROD DIAMETER | F THROAT DIAMETER | G HOUSING DIAMETER | H GROOVE DIAMETER | I PISTON DIAMETER | J BORE DIAMETER | List Price |
|------------------|-----------|-----------|-----------|--|---|---|---|---|---|---|------------|
| 1/8" C/S | | | | | | | | | | | |
| HU12-0.62-12 | 5/8 | 7/8 | 1/8 | .138 ^{+0.015} / _{+0.000} | .625 ^{+0.000} / _{-0.001} | .626 ^{+0.002} / _{+0.000} | .875 ^{+0.002} / _{+0.000} | .625 ^{+0.000} / _{-0.002} | .874 ^{+0.000} / _{-0.001} | .875 ^{+0.002} / _{+0.000} | \$4.53 |
| HU12-0.62-18 | 5/8 | 7/8 | 3/16 | .207 ^{+0.015} / _{+0.000} | .625 ^{+0.000} / _{-0.001} | .626 ^{+0.002} / _{+0.000} | .875 ^{+0.002} / _{+0.000} | .625 ^{+0.000} / _{-0.002} | .874 ^{+0.000} / _{-0.001} | .875 ^{+0.002} / _{+0.000} | 7.67 |
| HU12-0.75-25 | 3/4 | 1 | 1/4 | .275 ^{+0.015} / _{+0.000} | .750 ^{+0.000} / _{-0.001} | .751 ^{+0.002} / _{+0.000} | 1.000 ^{+0.002} / _{+0.000} | .750 ^{+0.000} / _{-0.002} | .999 ^{+0.000} / _{-0.001} | 1.000 ^{+0.002} / _{+0.000} | 4.62 |
| HU12-0.87-25 | 7/8 | 1-1/8 | 1/4 | .275 ^{+0.015} / _{+0.000} | .875 ^{+0.000} / _{-0.001} | .876 ^{+0.002} / _{+0.000} | 1.125 ^{+0.002} / _{+0.000} | .875 ^{+0.000} / _{-0.002} | 1.124 ^{+0.000} / _{-0.001} | 1.125 ^{+0.002} / _{+0.000} | 4.69 |
| HU12-1.00-25 | 1 | 1-1/4 | 1/4 | .275 ^{+0.015} / _{+0.000} | 1.000 ^{+0.000} / _{-0.001} | 1.001 ^{+0.002} / _{+0.000} | 1.250 ^{+0.002} / _{+0.000} | 1.000 ^{+0.000} / _{-0.002} | 1.249 ^{+0.000} / _{-0.001} | 1.250 ^{+0.002} / _{+0.000} | 4.75 |
| HU12-1.12-12 | 1-1/8 | 1-3/8 | 1/8 | .138 ^{+0.015} / _{+0.000} | 1.125 ^{+0.000} / _{-0.001} | 1.126 ^{+0.002} / _{+0.000} | 1.375 ^{+0.002} / _{+0.000} | 1.125 ^{+0.000} / _{-0.002} | 1.374 ^{+0.000} / _{-0.001} | 1.375 ^{+0.002} / _{+0.000} | 5.43 |
| HU12-1.25-25 | 1-1/4 | 1-1/2 | 1/4 | .275 ^{+0.015} / _{+0.000} | 1.250 ^{+0.000} / _{-0.001} | 1.251 ^{+0.002} / _{+0.000} | 1.500 ^{+0.002} / _{+0.000} | 1.250 ^{+0.000} / _{-0.002} | 1.499 ^{+0.000} / _{-0.001} | 1.500 ^{+0.002} / _{+0.000} | 5.50 |
| HU12-1.50-25 | 1-1/2 | 1-3/4 | 1/4 | .275 ^{+0.015} / _{+0.000} | 1.500 ^{+0.000} / _{-0.001} | 1.501 ^{+0.002} / _{+0.000} | 1.750 ^{+0.002} / _{+0.000} | 1.500 ^{+0.000} / _{-0.002} | 1.749 ^{+0.000} / _{-0.001} | 1.750 ^{+0.002} / _{+0.000} | 10.39 |
| 5/32" C/S | | | | | | | | | | | |
| HU15-1.00-21 | 1 | 1-5/16 | 7/32 | .241 ^{+0.015} / _{+0.000} | 1.000 ^{+0.000} / _{-0.002} | 1.001 ^{+0.002} / _{+0.000} | 1.313 ^{+0.002} / _{+0.000} | 1.000 ^{+0.000} / _{-0.002} | 1.312 ^{+0.000} / _{-0.002} | 1.313 ^{+0.002} / _{+0.000} | \$8.21 |
| HU15-1.37-21 | 1-3/8 | 1-11/16 | 7/32 | .241 ^{+0.015} / _{+0.000} | 1.375 ^{+0.000} / _{-0.002} | 1.376 ^{+0.002} / _{+0.000} | 1.688 ^{+0.002} / _{+0.000} | 1.375 ^{+0.000} / _{-0.002} | 1.687 ^{+0.000} / _{-0.002} | 1.688 ^{+0.002} / _{+0.000} | 8.48 |
| 3/16" C/S | | | | | | | | | | | |

FORMERLY LISTED SEALS ARE AVAILABLE ONLINE AT WWW.HERCULESUS.COM
 OR BY CONTACTING YOUR REGIONAL HERCULES SALES TEAM.



STYLE HU SYMMETRICAL URETHANE U-SEALS

U-SEALS

| Part Number | A Nom. ID | B Nom. OD | C Nom. Ht | D GROOVE WIDTH | E ROD DIAMETER | F THROAT DIAMETER | G HOUSING DIAMETER | H GROOVE DIAMETER | I PISTON DIAMETER | J BORE DIAMETER | List Price |
|------------------|--------------|--------------|--------------|--------------------------|---------------------------|---------------------------|---------------------------|---------------------------|---------------------------|---------------------------|---------------|
| HU18-0.37-25 | 3/8 | 3/4 | 1/4 | .275 +0.015 +0.000 | .375 +0.000 -0.002 | .376 +0.002 +0.000 | .750 +0.002 +0.000 | .375 +0.000 -0.002 | .749 +0.000 -0.002 | .750 +0.002 +0.000 | \$9.36 |
| HU18-0.87-25 | 7/8 | 1-1/4 | 1/4 | .275 +0.015 +0.000 | .875 +0.000 -0.002 | .876 +0.002 +0.000 | 1.250 +0.002 +0.000 | .875 +0.000 -0.002 | 1.249 +0.000 -0.002 | 1.250 +0.002 +0.000 | 4.70 |
| HU18-1.00-25 | 1 | 1-3/8 | 1/4 | .275 +0.015 +0.000 | 1.000 +0.000 -0.002 | 1.001 +0.002 +0.000 | 1.375 +0.002 +0.000 | 1.000 +0.000 -0.002 | 1.374 +0.000 -0.002 | 1.375 +0.002 +0.000 | 4.79 |
| HU18-1.12-18 | 1-1/8 | 1-1/2 | 3/16 | .207 +0.015 +0.000 | 1.125 +0.000 -0.002 | 1.126 +0.002 +0.000 | 1.500 +0.002 +0.000 | 1.125 +0.000 -0.002 | 1.499 +0.000 -0.002 | 1.500 +0.002 +0.000 | 6.96 |
| HU18-1.12-25 | 1-1/8 | 1-1/2 | 1/4 | .275 +0.015 +0.000 | 1.125 +0.000 -0.002 | 1.126 +0.002 +0.000 | 1.500 +0.002 +0.000 | 1.125 +0.000 -0.002 | 1.499 +0.000 -0.002 | 1.500 +0.002 +0.000 | 4.95 |
| HU18-1.25-18 | 1-1/4 | 1-5/8 | 3/16 | .207 +0.015 +0.000 | 1.250 +0.000 -0.002 | 1.251 +0.002 +0.000 | 1.625 +0.002 +0.000 | 1.250 +0.000 -0.002 | 1.624 +0.000 -0.002 | 1.625 +0.002 +0.000 | 6.91 |
| HU18-1.25-25 | 1-1/4 | 1-5/8 | 1/4 | .275 +0.015 +0.000 | 1.250 +0.000 -0.002 | 1.251 +0.002 +0.000 | 1.625 +0.002 +0.000 | 1.250 +0.000 -0.002 | 1.624 +0.000 -0.002 | 1.625 +0.002 +0.000 | 5.09 |
| HU18-1.25-31 | 1-1/4 | 1-5/8 | 5/16 | .344 +0.015 +0.000 | 1.250 +0.000 -0.002 | 1.251 +0.002 +0.000 | 1.625 +0.002 +0.000 | 1.250 +0.000 -0.002 | 1.624 +0.000 -0.002 | 1.625 +0.002 +0.000 | 5.31 |
| HU18-1.25-37 | 1-1/4 | 1-5/8 | 3/8 | .413 +0.015 +0.000 | 1.250 +0.000 -0.002 | 1.251 +0.002 +0.000 | 1.625 +0.002 +0.000 | 1.250 +0.000 -0.002 | 1.624 +0.000 -0.002 | 1.625 +0.002 +0.000 | 5.50 |
| HU18-1.37-18 | 1-3/8 | 1-3/4 | 3/16 | .207 +0.015 +0.000 | 1.375 +0.000 -0.002 | 1.376 +0.002 +0.000 | 1.750 +0.002 +0.000 | 1.375 +0.000 -0.002 | 1.749 +0.000 -0.002 | 1.750 +0.002 +0.000 | 7.13 |
| HU18-1.50-25 | 1-1/2 | 1-7/8 | 1/4 | .275 +0.015 +0.000 | 1.500 +0.000 -0.002 | 1.501 +0.002 +0.000 | 1.875 +0.002 +0.000 | 1.500 +0.000 -0.002 | 1.874 +0.000 -0.002 | 1.875 +0.002 +0.000 | 6.37 |
| HU18-1.50-31 | 1-1/2 | 1-7/8 | 5/16 | .344 +0.015 +0.000 | 1.500 +0.000 -0.002 | 1.501 +0.002 +0.000 | 1.875 +0.002 +0.000 | 1.500 +0.000 -0.002 | 1.874 +0.000 -0.002 | 1.875 +0.002 +0.000 | 6.39 |
| HU18-1.62-18 | 1-5/8 | 2 | 3/16 | .207 +0.015 +0.000 | 1.625 +0.000 -0.002 | 1.626 +0.002 +0.000 | 2.000 +0.002 +0.000 | 1.625 +0.000 -0.002 | 1.999 +0.000 -0.002 | 2.000 +0.002 +0.000 | 7.56 |
| HU18-1.62-31 | 1-5/8 | 2 | 5/16 | .344 +0.015 +0.000 | 1.625 +0.000 -0.002 | 1.626 +0.002 +0.000 | 2.000 +0.002 +0.000 | 1.625 +0.000 -0.002 | 1.999 +0.000 -0.002 | 2.000 +0.002 +0.000 | 6.48 |
| HU18-1.75-18 | 1-3/4 | 2-1/8 | 3/16 | .207 +0.015 +0.000 | 1.750 +0.000 -0.002 | 1.751 +0.002 +0.000 | 2.125 +0.002 +0.000 | 1.750 +0.000 -0.002 | 2.124 +0.000 -0.002 | 2.125 +0.002 +0.000 | 7.77 |
| HU18-1.75-25 | 1-3/4 | 2-1/8 | 1/4 | .275 +0.015 +0.000 | 1.750 +0.000 -0.002 | 1.751 +0.002 +0.000 | 2.125 +0.002 +0.000 | 1.750 +0.000 -0.002 | 2.124 +0.000 -0.002 | 2.125 +0.002 +0.000 | 6.58 |
| HU18-1.75-37 | 1-3/4 | 2-1/8 | 3/8 | .413 +0.015 +0.000 | 1.750 +0.000 -0.002 | 1.751 +0.002 +0.000 | 2.125 +0.002 +0.000 | 1.750 +0.000 -0.002 | 2.124 +0.000 -0.002 | 2.125 +0.002 +0.000 | 6.70 |
| HU18-2.00-18 | 2 | 2-3/8 | 3/16 | .207 +0.015 +0.000 | 2.000 +0.000 -0.002 | 2.001 +0.002 +0.000 | 2.375 +0.002 +0.000 | 2.000 +0.000 -0.002 | 2.374 +0.000 -0.002 | 2.375 +0.002 +0.000 | 8.18 |
| HU18-2.00-25 | 2 | 2-3/8 | 1/4 | .275 +0.015 +0.000 | 2.000 +0.000 -0.002 | 2.001 +0.002 +0.000 | 2.375 +0.002 +0.000 | 2.000 +0.000 -0.002 | 2.374 +0.000 -0.002 | 2.375 +0.002 +0.000 | 6.86 |
| HU18-2.00-31 | 2 | 2-3/8 | 5/16 | .344 +0.015 +0.000 | 2.000 +0.000 -0.002 | 2.001 +0.002 +0.000 | 2.375 +0.002 +0.000 | 2.000 +0.000 -0.002 | 2.374 +0.000 -0.002 | 2.375 +0.002 +0.000 | 7.00 |
| HU18-2.00-37 | 2 | 2-3/8 | 3/8 | .413 +0.015 +0.000 | 2.000 +0.000 -0.002 | 2.001 +0.002 +0.000 | 2.375 +0.002 +0.000 | 2.000 +0.000 -0.002 | 2.374 +0.000 -0.002 | 2.375 +0.002 +0.000 | 7.52 |
| HU18-2.12-18 | 2-1/8 | 2-1/2 | 3/16 | .207 +0.015 +0.000 | 2.125 +0.000 -0.002 | 2.126 +0.002 +0.000 | 2.500 +0.002 +0.000 | 2.125 +0.000 -0.002 | 2.499 +0.000 -0.002 | 2.500 +0.002 +0.000 | 8.35 |
| HU18-2.12-37 | 2-1/8 | 2-1/2 | 3/8 | .413 +0.015 +0.000 | 2.125 +0.000 -0.002 | 2.126 +0.002 +0.000 | 2.500 +0.002 +0.000 | 2.125 +0.000 -0.002 | 2.499 +0.000 -0.002 | 2.500 +0.002 +0.000 | 8.47 |
| HU18-2.50-25 | 2-1/2 | 2-7/8 | 1/4 | .275 +0.015 +0.000 | 2.500 +0.000 -0.002 | 2.501 +0.002 +0.000 | 2.875 +0.002 +0.000 | 2.500 +0.000 -0.002 | 2.874 +0.000 -0.002 | 2.875 +0.002 +0.000 | 8.57 |
| HU18-2.50-37 | 2-1/2 | 2-7/8 | 3/8 | .413 +0.015 +0.000 | 2.500 +0.000 -0.002 | 2.501 +0.002 +0.000 | 2.875 +0.002 +0.000 | 2.500 +0.000 -0.002 | 2.874 +0.000 -0.002 | 2.875 +0.002 +0.000 | 8.69 |
| HU18-2.62-37 | 2-5/8 | 3 | 3/8 | .413 +0.015 +0.000 | 2.625 +0.000 -0.002 | 2.626 +0.002 +0.000 | 3.000 +0.002 +0.000 | 2.625 +0.000 -0.002 | 2.999 +0.000 -0.002 | 3.000 +0.002 +0.000 | 9.10 |
| HU18-3.00-18 | 3 | 3-3/8 | 3/16 | .207 +0.015 +0.000 | 3.000 +0.000 -0.002 | 3.001 +0.002 +0.000 | 3.375 +0.002 +0.000 | 3.000 +0.000 -0.002 | 3.374 +0.000 -0.002 | 3.375 +0.002 +0.000 | 10.17 |
| HU18-3.12-37 | 3-1/8 | 3-1/2 | 3/8 | .413 +0.015 +0.000 | 3.125 +0.000 -0.002 | 3.126 +0.002 +0.000 | 3.500 +0.002 +0.000 | 3.125 +0.000 -0.002 | 3.499 +0.000 -0.002 | 3.500 +0.002 +0.000 | 10.34 |
| HU18-3.62-37 | 3-5/8 | 4 | 3/8 | .413 +0.015 +0.000 | 3.625 +0.000 -0.002 | 3.626 +0.002 +0.000 | 4.000 +0.002 +0.000 | 3.625 +0.000 -0.002 | 3.999 +0.000 -0.002 | 4.000 +0.002 +0.000 | 13.18 |
| HU18-3.87-18 | 3-7/8 | 4-1/4 | 3/16 | .207 +0.015 +0.000 | 3.875 +0.000 -0.002 | 3.876 +0.002 +0.000 | 4.250 +0.002 +0.000 | 3.875 +0.000 -0.002 | 4.249 +0.000 -0.002 | 4.250 +0.002 +0.000 | 14.63 |
| 7/32" C/S | | | | | | | | | | | |
| HU21-2.50-28 | 2-1/2 | 2-15/16 | 9/32 | .310 +0.015 +0.000 | 2.500 +0.000 -0.002 | 2.501 +0.003 +0.000 | 2.938 +0.002 +0.000 | 2.500 +0.000 -0.002 | 2.937 +0.000 -0.002 | 2.938 +0.002 +0.000 | \$17.98 |
| HU21-2.81-28 | 2-13/16 | 3-1/4 | 9/32 | .310 +0.015 +0.000 | 2.812 +0.000 -0.002 | 2.813 +0.003 +0.000 | 3.250 +0.002 +0.000 | 2.812 +0.000 -0.002 | 3.249 +0.000 -0.002 | 3.250 +0.002 +0.000 | 20.16 |

NORTH AMERICA
PHONE 1-800-777-5617
FAX 1-800-759-6391

SALES OFFICE HOURS
8 A.M. TO 7:30 P.M. EASTERN TIME
www.HerculesUS.com

WORLDWIDE
PHONE 1-727-796-1300
FAX 1-727-797-8849



STYLE HU SYMMETRICAL URETHANE U-SEALS

U-SEALS

| Part Number | A Nom. ID | B Nom. OD | C Nom. Ht | D GROOVE WIDTH | E ROD DIAMETER | F THROAT DIAMETER | G HOUSING DIAMETER | H GROOVE DIAMETER | I PISTON DIAMETER | J BORE DIAMETER | List Price | |
|-----------------|-----------|-----------|-----------|--|---|---|---|---|---|---|------------|--|
| HU21-3.00-28 | 3 | 3-7/16 | 9/32 | .310 ^{+0.015} / _{+0.000} | 3.000 ^{+0.000} / _{-0.002} | 3.001 ^{+0.003} / _{+0.000} | 3.438 ^{+0.002} / _{+0.000} | 3.000 ^{+0.000} / _{-0.002} | 3.437 ^{+0.000} / _{-0.002} | 3.438 ^{+0.002} / _{+0.000} | 21.23 | |
| 1/4" C/S | | | | | | | | | | | | |
| HU25-0.93-56 | 15/16 | 1-7/16 | 9/16 | .619 ^{+0.015} / _{+0.000} | .937 ^{+0.000} / _{-0.002} | .939 ^{+0.003} / _{+0.000} | 1.438 ^{+0.003} / _{+0.000} | .937 ^{+0.000} / _{-0.003} | 1.437 ^{+0.000} / _{-0.002} | 1.438 ^{+0.003} / _{+0.000} | \$12.40 | |
| HU25-1.00-25 | 1 | 1-1/2 | 1/4 | .275 ^{+0.015} / _{+0.000} | 1.000 ^{+0.000} / _{-0.002} | 1.001 ^{+0.003} / _{+0.000} | 1.500 ^{+0.003} / _{+0.000} | 1.000 ^{+0.000} / _{-0.003} | 1.499 ^{+0.000} / _{-0.002} | 1.500 ^{+0.003} / _{+0.000} | 4.79 | |
| HU25-1.00-31 | 1 | 1-1/2 | 5/16 | .344 ^{+0.015} / _{+0.000} | 1.000 ^{+0.000} / _{-0.002} | 1.001 ^{+0.003} / _{+0.000} | 1.500 ^{+0.003} / _{+0.000} | 1.000 ^{+0.000} / _{-0.003} | 1.499 ^{+0.000} / _{-0.002} | 1.500 ^{+0.003} / _{+0.000} | 5.19 | |
| HU25-1.00-37 | 1 | 1-1/2 | 3/8 | .413 ^{+0.015} / _{+0.000} | 1.000 ^{+0.000} / _{-0.002} | 1.001 ^{+0.003} / _{+0.000} | 1.500 ^{+0.003} / _{+0.000} | 1.000 ^{+0.000} / _{-0.003} | 1.499 ^{+0.000} / _{-0.002} | 1.500 ^{+0.003} / _{+0.000} | 5.26 | |
| HU25-1.12-25 | 1-1/8 | 1-5/8 | 1/4 | .275 ^{+0.015} / _{+0.000} | 1.125 ^{+0.000} / _{-0.002} | 1.126 ^{+0.003} / _{+0.000} | 1.625 ^{+0.003} / _{+0.000} | 1.125 ^{+0.000} / _{-0.003} | 1.624 ^{+0.000} / _{-0.002} | 1.625 ^{+0.003} / _{+0.000} | 7.13 | |
| HU25-1.25-25 | 1-1/4 | 1-3/4 | 1/4 | .275 ^{+0.015} / _{+0.000} | 1.250 ^{+0.000} / _{-0.002} | 1.251 ^{+0.003} / _{+0.000} | 1.750 ^{+0.003} / _{+0.000} | 1.250 ^{+0.000} / _{-0.003} | 1.749 ^{+0.000} / _{-0.002} | 1.750 ^{+0.003} / _{+0.000} | 5.48 | |
| HU25-1.25-37 | 1-1/4 | 1-3/4 | 3/8 | .413 ^{+0.015} / _{+0.000} | 1.250 ^{+0.000} / _{-0.002} | 1.251 ^{+0.003} / _{+0.000} | 1.750 ^{+0.003} / _{+0.000} | 1.250 ^{+0.000} / _{-0.003} | 1.749 ^{+0.000} / _{-0.002} | 1.750 ^{+0.003} / _{+0.000} | 5.50 | |
| HU25-1.37-37 | 1-3/8 | 1-7/8 | 3/8 | .413 ^{+0.015} / _{+0.000} | 1.375 ^{+0.000} / _{-0.002} | 1.376 ^{+0.003} / _{+0.000} | 1.875 ^{+0.003} / _{+0.000} | 1.375 ^{+0.000} / _{-0.003} | 1.874 ^{+0.000} / _{-0.002} | 1.875 ^{+0.003} / _{+0.000} | 5.81 | |
| HU25-1.50-31 | 1-1/2 | 2 | 5/16 | .344 ^{+0.015} / _{+0.000} | 1.500 ^{+0.000} / _{-0.002} | 1.501 ^{+0.003} / _{+0.000} | 2.000 ^{+0.003} / _{+0.000} | 1.500 ^{+0.000} / _{-0.003} | 1.999 ^{+0.000} / _{-0.002} | 2.000 ^{+0.003} / _{+0.000} | 6.21 | |
| HU25-1.50-37 | 1-1/2 | 2 | 3/8 | .413 ^{+0.015} / _{+0.000} | 1.500 ^{+0.000} / _{-0.002} | 1.501 ^{+0.003} / _{+0.000} | 2.000 ^{+0.003} / _{+0.000} | 1.500 ^{+0.000} / _{-0.003} | 1.999 ^{+0.000} / _{-0.002} | 2.000 ^{+0.003} / _{+0.000} | 6.21 | |
| HU25-1.75-25 | 1-3/4 | 2-1/4 | 1/4 | .275 ^{+0.015} / _{+0.000} | 1.750 ^{+0.000} / _{-0.002} | 1.751 ^{+0.003} / _{+0.000} | 2.250 ^{+0.003} / _{+0.000} | 1.750 ^{+0.000} / _{-0.003} | 2.249 ^{+0.000} / _{-0.002} | 2.250 ^{+0.003} / _{+0.000} | 9.28 | |
| HU25-1.75-37 | 1-3/4 | 2-1/4 | 3/8 | .413 ^{+0.015} / _{+0.000} | 1.750 ^{+0.000} / _{-0.002} | 1.751 ^{+0.003} / _{+0.000} | 2.250 ^{+0.003} / _{+0.000} | 1.750 ^{+0.000} / _{-0.003} | 2.249 ^{+0.000} / _{-0.002} | 2.250 ^{+0.003} / _{+0.000} | 7.07 | |
| HU25-2.00-25 | 2 | 2-1/2 | 1/4 | .275 ^{+0.015} / _{+0.000} | 2.000 ^{+0.000} / _{-0.002} | 2.001 ^{+0.003} / _{+0.000} | 2.500 ^{+0.003} / _{+0.000} | 2.000 ^{+0.000} / _{-0.003} | 2.499 ^{+0.000} / _{-0.002} | 2.500 ^{+0.003} / _{+0.000} | 7.13 | |
| HU25-2.00-31 | 2 | 2-1/2 | 5/16 | .344 ^{+0.015} / _{+0.000} | 2.000 ^{+0.000} / _{-0.002} | 2.001 ^{+0.003} / _{+0.000} | 2.500 ^{+0.003} / _{+0.000} | 2.000 ^{+0.000} / _{-0.003} | 2.499 ^{+0.000} / _{-0.002} | 2.500 ^{+0.003} / _{+0.000} | 7.37 | |
| HU25-2.00-37 | 2 | 2-1/2 | 3/8 | .413 ^{+0.015} / _{+0.000} | 2.000 ^{+0.000} / _{-0.002} | 2.001 ^{+0.003} / _{+0.000} | 2.500 ^{+0.003} / _{+0.000} | 2.000 ^{+0.000} / _{-0.003} | 2.499 ^{+0.000} / _{-0.002} | 2.500 ^{+0.003} / _{+0.000} | 7.75 | |
| HU25-2.00-50 | 2 | 2-1/2 | 1/2 | .550 ^{+0.015} / _{+0.000} | 2.000 ^{+0.000} / _{-0.002} | 2.001 ^{+0.003} / _{+0.000} | 2.500 ^{+0.003} / _{+0.000} | 2.000 ^{+0.000} / _{-0.003} | 2.499 ^{+0.000} / _{-0.002} | 2.500 ^{+0.003} / _{+0.000} | 7.93 | |
| HU25-2.25-25 | 2-1/4 | 2-3/4 | 1/4 | .275 ^{+0.015} / _{+0.000} | 2.250 ^{+0.000} / _{-0.002} | 2.251 ^{+0.003} / _{+0.000} | 2.750 ^{+0.003} / _{+0.000} | 2.250 ^{+0.000} / _{-0.003} | 2.749 ^{+0.000} / _{-0.002} | 2.750 ^{+0.003} / _{+0.000} | 11.27 | |
| HU25-2.25-37 | 2-1/4 | 2-3/4 | 3/8 | .413 ^{+0.015} / _{+0.000} | 2.250 ^{+0.000} / _{-0.002} | 2.251 ^{+0.003} / _{+0.000} | 2.750 ^{+0.003} / _{+0.000} | 2.250 ^{+0.000} / _{-0.003} | 2.749 ^{+0.000} / _{-0.002} | 2.750 ^{+0.003} / _{+0.000} | 8.92 | |
| HU25-2.50-25 | 2-1/2 | 3 | 1/4 | .275 ^{+0.015} / _{+0.000} | 2.500 ^{+0.000} / _{-0.002} | 2.501 ^{+0.003} / _{+0.000} | 3.000 ^{+0.003} / _{+0.000} | 2.500 ^{+0.000} / _{-0.003} | 2.999 ^{+0.000} / _{-0.002} | 3.000 ^{+0.003} / _{+0.000} | 9.88 | |
| HU25-2.50-37 | 2-1/2 | 3 | 3/8 | .413 ^{+0.015} / _{+0.000} | 2.500 ^{+0.000} / _{-0.002} | 2.501 ^{+0.003} / _{+0.000} | 3.000 ^{+0.003} / _{+0.000} | 2.500 ^{+0.000} / _{-0.003} | 2.999 ^{+0.000} / _{-0.002} | 3.000 ^{+0.003} / _{+0.000} | 10.07 | |
| HU25-2.75-25 | 2-3/4 | 3-1/4 | 1/4 | .275 ^{+0.015} / _{+0.000} | 2.750 ^{+0.000} / _{-0.002} | 2.751 ^{+0.003} / _{+0.000} | 3.250 ^{+0.003} / _{+0.000} | 2.750 ^{+0.000} / _{-0.003} | 3.249 ^{+0.000} / _{-0.002} | 3.250 ^{+0.003} / _{+0.000} | 10.27 | |
| HU25-2.75-37 | 2-3/4 | 3-1/4 | 3/8 | .413 ^{+0.015} / _{+0.000} | 2.750 ^{+0.000} / _{-0.002} | 2.751 ^{+0.003} / _{+0.000} | 3.250 ^{+0.003} / _{+0.000} | 2.750 ^{+0.000} / _{-0.003} | 3.249 ^{+0.000} / _{-0.002} | 3.250 ^{+0.003} / _{+0.000} | 10.65 | |
| HU25-2.87-37 | 2-7/8 | 3-3/8 | 3/8 | .413 ^{+0.015} / _{+0.000} | 2.875 ^{+0.000} / _{-0.002} | 2.876 ^{+0.003} / _{+0.000} | 3.375 ^{+0.003} / _{+0.000} | 2.875 ^{+0.000} / _{-0.003} | 3.374 ^{+0.000} / _{-0.002} | 3.375 ^{+0.003} / _{+0.000} | 10.30 | |
| HU25-3.00-25 | 3 | 3-1/2 | 1/4 | .275 ^{+0.015} / _{+0.000} | 3.000 ^{+0.000} / _{-0.002} | 3.001 ^{+0.003} / _{+0.000} | 3.500 ^{+0.003} / _{+0.000} | 3.000 ^{+0.000} / _{-0.003} | 3.499 ^{+0.000} / _{-0.002} | 3.500 ^{+0.003} / _{+0.000} | 10.78 | |
| HU25-3.00-37 | 3 | 3-1/2 | 3/8 | .413 ^{+0.015} / _{+0.000} | 3.000 ^{+0.000} / _{-0.002} | 3.001 ^{+0.003} / _{+0.000} | 3.500 ^{+0.003} / _{+0.000} | 3.000 ^{+0.000} / _{-0.003} | 3.499 ^{+0.000} / _{-0.002} | 3.500 ^{+0.003} / _{+0.000} | 11.16 | |
| HU25-3.25-31 | 3-1/4 | 3-3/4 | 5/16 | .344 ^{+0.015} / _{+0.000} | 3.250 ^{+0.000} / _{-0.002} | 3.251 ^{+0.003} / _{+0.000} | 3.750 ^{+0.003} / _{+0.000} | 3.250 ^{+0.000} / _{-0.003} | 3.749 ^{+0.000} / _{-0.002} | 3.750 ^{+0.003} / _{+0.000} | 11.50 | |
| HU25-3.25-37 | 3-1/4 | 3-3/4 | 3/8 | .413 ^{+0.015} / _{+0.000} | 3.250 ^{+0.000} / _{-0.002} | 3.251 ^{+0.003} / _{+0.000} | 3.750 ^{+0.003} / _{+0.000} | 3.250 ^{+0.000} / _{-0.003} | 3.749 ^{+0.000} / _{-0.002} | 3.750 ^{+0.003} / _{+0.000} | 12.35 | |
| HU25-3.37-37 | 3-3/8 | 3-7/8 | 3/8 | .413 ^{+0.015} / _{+0.000} | 3.375 ^{+0.000} / _{-0.002} | 3.376 ^{+0.003} / _{+0.000} | 3.875 ^{+0.003} / _{+0.000} | 3.375 ^{+0.000} / _{-0.003} | 3.874 ^{+0.000} / _{-0.002} | 3.875 ^{+0.003} / _{+0.000} | 13.05 | |
| HU25-3.50-31 | 3-1/2 | 4 | 5/16 | .344 ^{+0.015} / _{+0.000} | 3.500 ^{+0.000} / _{-0.002} | 3.501 ^{+0.003} / _{+0.000} | 4.000 ^{+0.003} / _{+0.000} | 3.500 ^{+0.000} / _{-0.003} | 3.999 ^{+0.000} / _{-0.002} | 4.000 ^{+0.003} / _{+0.000} | 22.23 | |
| HU25-3.50-37 | 3-1/2 | 4 | 3/8 | .413 ^{+0.015} / _{+0.000} | 3.500 ^{+0.000} / _{-0.002} | 3.501 ^{+0.003} / _{+0.000} | 4.000 ^{+0.003} / _{+0.000} | 3.500 ^{+0.000} / _{-0.003} | 3.999 ^{+0.000} / _{-0.002} | 4.000 ^{+0.003} / _{+0.000} | 13.12 | |
| HU25-3.50-50 | 3-1/2 | 4 | 1/2 | .550 ^{+0.015} / _{+0.000} | 3.500 ^{+0.000} / _{-0.002} | 3.501 ^{+0.003} / _{+0.000} | 4.000 ^{+0.003} / _{+0.000} | 3.500 ^{+0.000} / _{-0.003} | 3.999 ^{+0.000} / _{-0.002} | 4.000 ^{+0.003} / _{+0.000} | 13.36 | |

FORMERLY LISTED SEALS ARE AVAILABLE ONLINE AT WWW.HERCULESUS.COM
OR BY CONTACTING YOUR REGIONAL HERCULES SALES TEAM.



STYLE HU SYMMETRICAL URETHANE U-SEALS

U-SEALS

| Part Number | A Nom. ID | B Nom. OD | C Nom. Ht | D GROOVE WIDTH | E ROD DIAMETER | F THROAT DIAMETER | G HOUSING DIAMETER | H GROOVE DIAMETER | I PISTON DIAMETER | J BORE DIAMETER | List Price |
|------------------|-----------|-----------|-----------|--|---|---|---|---|---|---|------------|
| HU25-3.75-37 | 3-3/4 | 4-1/4 | 3/8 | .413 ⁺⁰¹⁵ / ₊₀₀₀ | 3.750 ⁺⁰⁰⁰ / ₋₀₀₂ | 3.751 ⁺⁰⁰³ / ₊₀₀₀ | 4.250 ⁺⁰⁰³ / ₊₀₀₀ | 3.750 ⁺⁰⁰⁰ / ₋₀₀₃ | 4.249 ⁺⁰⁰⁰ / ₋₀₀₂ | 4.250 ⁺⁰⁰³ / ₊₀₀₀ | 13.62 |
| HU25-4.00-25 | 4 | 4-1/2 | 1/4 | .275 ⁺⁰¹⁵ / ₊₀₀₀ | 4.000 ⁺⁰⁰⁰ / ₋₀₀₂ | 4.001 ⁺⁰⁰³ / ₊₀₀₀ | 4.500 ⁺⁰⁰³ / ₊₀₀₀ | 4.000 ⁺⁰⁰⁰ / ₋₀₀₃ | 4.499 ⁺⁰⁰⁰ / ₋₀₀₂ | 4.500 ⁺⁰⁰³ / ₊₀₀₀ | 18.72 |
| HU25-4.00-31 | 4 | 4-1/2 | 5/16 | .344 ⁺⁰¹⁵ / ₊₀₀₀ | 4.000 ⁺⁰⁰⁰ / ₋₀₀₂ | 4.001 ⁺⁰⁰³ / ₊₀₀₀ | 4.500 ⁺⁰⁰³ / ₊₀₀₀ | 4.000 ⁺⁰⁰⁰ / ₋₀₀₃ | 4.499 ⁺⁰⁰⁰ / ₋₀₀₂ | 4.500 ⁺⁰⁰³ / ₊₀₀₀ | 24.88 |
| HU25-4.00-37 | 4 | 4-1/2 | 3/8 | .413 ⁺⁰¹⁵ / ₊₀₀₀ | 4.000 ⁺⁰⁰⁰ / ₋₀₀₂ | 4.001 ⁺⁰⁰³ / ₊₀₀₀ | 4.500 ⁺⁰⁰³ / ₊₀₀₀ | 4.000 ⁺⁰⁰⁰ / ₋₀₀₃ | 4.499 ⁺⁰⁰⁰ / ₋₀₀₂ | 4.500 ⁺⁰⁰³ / ₊₀₀₀ | 14.44 |
| HU25-4.00-50 | 4 | 4-1/2 | 1/2 | .550 ⁺⁰¹⁵ / ₊₀₀₀ | 4.000 ⁺⁰⁰⁰ / ₋₀₀₂ | 4.001 ⁺⁰⁰³ / ₊₀₀₀ | 4.500 ⁺⁰⁰³ / ₊₀₀₀ | 4.000 ⁺⁰⁰⁰ / ₋₀₀₃ | 4.499 ⁺⁰⁰⁰ / ₋₀₀₂ | 4.500 ⁺⁰⁰³ / ₊₀₀₀ | 13.90 |
| HU25-4.00-56 | 4 | 4-1/2 | 9/16 | .619 ⁺⁰¹⁵ / ₊₀₀₀ | 4.000 ⁺⁰⁰⁰ / ₋₀₀₂ | 4.001 ⁺⁰⁰³ / ₊₀₀₀ | 4.500 ⁺⁰⁰³ / ₊₀₀₀ | 4.000 ⁺⁰⁰⁰ / ₋₀₀₃ | 4.499 ⁺⁰⁰⁰ / ₋₀₀₂ | 4.500 ⁺⁰⁰³ / ₊₀₀₀ | 14.77 |
| HU25-4.25-25 | 4-1/4 | 4-3/4 | 1/4 | .275 ⁺⁰¹⁵ / ₊₀₀₀ | 4.250 ⁺⁰⁰⁰ / ₋₀₀₂ | 4.251 ⁺⁰⁰³ / ₊₀₀₀ | 4.750 ⁺⁰⁰³ / ₊₀₀₀ | 4.250 ⁺⁰⁰⁰ / ₋₀₀₃ | 4.749 ⁺⁰⁰⁰ / ₋₀₀₂ | 4.750 ⁺⁰⁰³ / ₊₀₀₀ | 19.71 |
| HU25-4.50-25 | 4-1/2 | 5 | 1/4 | .275 ⁺⁰¹⁵ / ₊₀₀₀ | 4.500 ⁺⁰⁰⁰ / ₋₀₀₂ | 4.501 ⁺⁰⁰³ / ₊₀₀₀ | 5.000 ⁺⁰⁰³ / ₊₀₀₀ | 4.500 ⁺⁰⁰⁰ / ₋₀₀₃ | 4.999 ⁺⁰⁰⁰ / ₋₀₀₂ | 5.000 ⁺⁰⁰³ / ₊₀₀₀ | 31.15 |
| HU25-4.50-31 | 4-1/2 | 5 | 5/16 | .344 ⁺⁰¹⁵ / ₊₀₀₀ | 4.500 ⁺⁰⁰⁰ / ₋₀₀₂ | 4.501 ⁺⁰⁰³ / ₊₀₀₀ | 5.000 ⁺⁰⁰³ / ₊₀₀₀ | 4.500 ⁺⁰⁰⁰ / ₋₀₀₃ | 4.999 ⁺⁰⁰⁰ / ₋₀₀₂ | 5.000 ⁺⁰⁰³ / ₊₀₀₀ | 31.65 |
| HU25-4.50-37 | 4-1/2 | 5 | 3/8 | .413 ⁺⁰¹⁵ / ₊₀₀₀ | 4.500 ⁺⁰⁰⁰ / ₋₀₀₂ | 4.501 ⁺⁰⁰³ / ₊₀₀₀ | 5.000 ⁺⁰⁰³ / ₊₀₀₀ | 4.500 ⁺⁰⁰⁰ / ₋₀₀₃ | 4.999 ⁺⁰⁰⁰ / ₋₀₀₂ | 5.000 ⁺⁰⁰³ / ₊₀₀₀ | 17.23 |
| HU25-4.50-50 | 4-1/2 | 5 | 1/2 | .550 ⁺⁰¹⁵ / ₊₀₀₀ | 4.500 ⁺⁰⁰⁰ / ₋₀₀₂ | 4.501 ⁺⁰⁰³ / ₊₀₀₀ | 5.000 ⁺⁰⁰³ / ₊₀₀₀ | 4.500 ⁺⁰⁰⁰ / ₋₀₀₃ | 4.999 ⁺⁰⁰⁰ / ₋₀₀₂ | 5.000 ⁺⁰⁰³ / ₊₀₀₀ | 17.23 |
| HU25-4.50-56 | 4-1/2 | 5 | 9/16 | .619 ⁺⁰¹⁵ / ₊₀₀₀ | 4.500 ⁺⁰⁰⁰ / ₋₀₀₂ | 4.501 ⁺⁰⁰³ / ₊₀₀₀ | 5.000 ⁺⁰⁰³ / ₊₀₀₀ | 4.500 ⁺⁰⁰⁰ / ₋₀₀₃ | 4.999 ⁺⁰⁰⁰ / ₋₀₀₂ | 5.000 ⁺⁰⁰³ / ₊₀₀₀ | 17.23 |
| HU25-4.75-25 | 4-3/4 | 5-1/4 | 1/4 | .275 ⁺⁰¹⁵ / ₊₀₀₀ | 4.750 ⁺⁰⁰⁰ / ₋₀₀₂ | 4.751 ⁺⁰⁰³ / ₊₀₀₀ | 5.250 ⁺⁰⁰³ / ₊₀₀₀ | 4.750 ⁺⁰⁰⁰ / ₋₀₀₃ | 5.249 ⁺⁰⁰⁰ / ₋₀₀₂ | 5.250 ⁺⁰⁰³ / ₊₀₀₀ | 30.00 |
| HU25-5.00-25 | 5 | 5-1/2 | 1/4 | .275 ⁺⁰¹⁵ / ₊₀₀₀ | 5.000 ⁺⁰⁰⁰ / ₋₀₀₂ | 5.001 ⁺⁰⁰³ / ₊₀₀₀ | 5.500 ⁺⁰⁰³ / ₊₀₀₀ | 5.000 ⁺⁰⁰⁰ / ₋₀₀₃ | 5.499 ⁺⁰⁰⁰ / ₋₀₀₂ | 5.500 ⁺⁰⁰³ / ₊₀₀₀ | 27.36 |
| HU25-5.00-37 | 5 | 5-1/2 | 3/8 | .413 ⁺⁰¹⁵ / ₊₀₀₀ | 5.000 ⁺⁰⁰⁰ / ₋₀₀₂ | 5.001 ⁺⁰⁰³ / ₊₀₀₀ | 5.500 ⁺⁰⁰³ / ₊₀₀₀ | 5.000 ⁺⁰⁰⁰ / ₋₀₀₃ | 5.499 ⁺⁰⁰⁰ / ₋₀₀₂ | 5.500 ⁺⁰⁰³ / ₊₀₀₀ | 34.62 |
| HU25-5.00-56 | 5 | 5-1/2 | 9/16 | .619 ⁺⁰¹⁵ / ₊₀₀₀ | 5.000 ⁺⁰⁰⁰ / ₋₀₀₂ | 5.001 ⁺⁰⁰³ / ₊₀₀₀ | 5.500 ⁺⁰⁰³ / ₊₀₀₀ | 5.000 ⁺⁰⁰⁰ / ₋₀₀₃ | 5.499 ⁺⁰⁰⁰ / ₋₀₀₂ | 5.500 ⁺⁰⁰³ / ₊₀₀₀ | 34.62 |
| HU25-5.50-25 | 5-1/2 | 6 | 1/4 | .275 ⁺⁰¹⁵ / ₊₀₀₀ | 5.500 ⁺⁰⁰⁰ / ₋₀₀₂ | 5.501 ⁺⁰⁰³ / ₊₀₀₀ | 6.000 ⁺⁰⁰³ / ₊₀₀₀ | 5.500 ⁺⁰⁰⁰ / ₋₀₀₃ | 5.999 ⁺⁰⁰⁰ / ₋₀₀₂ | 6.000 ⁺⁰⁰³ / ₊₀₀₀ | 29.88 |
| HU25-5.50-37 | 5-1/2 | 6 | 3/8 | .413 ⁺⁰¹⁵ / ₊₀₀₀ | 5.500 ⁺⁰⁰⁰ / ₋₀₀₂ | 5.501 ⁺⁰⁰³ / ₊₀₀₀ | 6.000 ⁺⁰⁰³ / ₊₀₀₀ | 5.500 ⁺⁰⁰⁰ / ₋₀₀₃ | 5.999 ⁺⁰⁰⁰ / ₋₀₀₂ | 6.000 ⁺⁰⁰³ / ₊₀₀₀ | 29.88 |
| HU25-5.50-56 | 5-1/2 | 6 | 9/16 | .619 ⁺⁰¹⁵ / ₊₀₀₀ | 5.500 ⁺⁰⁰⁰ / ₋₀₀₂ | 5.501 ⁺⁰⁰³ / ₊₀₀₀ | 6.000 ⁺⁰⁰³ / ₊₀₀₀ | 5.500 ⁺⁰⁰⁰ / ₋₀₀₃ | 5.999 ⁺⁰⁰⁰ / ₋₀₀₂ | 6.000 ⁺⁰⁰³ / ₊₀₀₀ | 29.88 |
| HU25-5.75-25 | 5-3/4 | 6-1/4 | 1/4 | .275 ⁺⁰¹⁵ / ₊₀₀₀ | 5.750 ⁺⁰⁰⁰ / ₋₀₀₂ | 5.751 ⁺⁰⁰³ / ₊₀₀₀ | 6.250 ⁺⁰⁰³ / ₊₀₀₀ | 5.750 ⁺⁰⁰⁰ / ₋₀₀₃ | 6.249 ⁺⁰⁰⁰ / ₋₀₀₂ | 6.250 ⁺⁰⁰³ / ₊₀₀₀ | 30.36 |
| HU25-6.00-56 | 6 | 6-1/2 | 9/16 | .619 ⁺⁰¹⁵ / ₊₀₀₀ | 6.000 ⁺⁰⁰⁰ / ₋₀₀₂ | 6.001 ⁺⁰⁰³ / ₊₀₀₀ | 6.500 ⁺⁰⁰³ / ₊₀₀₀ | 6.000 ⁺⁰⁰⁰ / ₋₀₀₃ | 6.499 ⁺⁰⁰⁰ / ₋₀₀₂ | 6.500 ⁺⁰⁰³ / ₊₀₀₀ | 31.49 |
| HU25-6.50-25 | 6-1/2 | 7 | 1/4 | .275 ⁺⁰¹⁵ / ₊₀₀₀ | 6.500 ⁺⁰⁰⁰ / ₋₀₀₂ | 6.501 ⁺⁰⁰³ / ₊₀₀₀ | 7.000 ⁺⁰⁰³ / ₊₀₀₀ | 6.500 ⁺⁰⁰⁰ / ₋₀₀₃ | 6.999 ⁺⁰⁰⁰ / ₋₀₀₂ | 7.000 ⁺⁰⁰³ / ₊₀₀₀ | 34.85 |
| 9/32" C/S | | | | | | | | | | | |
| HU28-5.00-34 | 5 | 5-9/16 | 11/32 | .379 ⁺⁰¹⁵ / ₊₀₀₀ | 5.000 ⁺⁰⁰⁰ / ₋₀₀₂ | 5.001 ⁺⁰⁰³ / ₊₀₀₀ | 5.563 ⁺⁰⁰³ / ₊₀₀₀ | 5.000 ⁺⁰⁰⁰ / ₋₀₀₃ | 5.562 ⁺⁰⁰⁰ / ₋₀₀₂ | 5.563 ⁺⁰⁰³ / ₊₀₀₀ | \$36.37 |
| 5/16" C/S | | | | | | | | | | | |
| HU31-1.25-37 | 1-1/4 | 1-7/8 | 3/8 | .413 ⁺⁰¹⁵ / ₊₀₀₀ | 1.250 ⁺⁰⁰⁰ / ₋₀₀₂ | 1.251 ⁺⁰⁰³ / ₊₀₀₀ | 1.875 ⁺⁰⁰⁴ / ₊₀₀₀ | 1.250 ⁺⁰⁰⁰ / ₋₀₀₄ | 1.874 ⁺⁰⁰⁰ / ₋₀₀₂ | 1.875 ⁺⁰⁰³ / ₊₀₀₀ | \$7.07 |
| HU31-1.37-31 | 1-3/8 | 2 | 5/16 | .344 ⁺⁰¹⁵ / ₊₀₀₀ | 1.375 ⁺⁰⁰⁰ / ₋₀₀₂ | 1.376 ⁺⁰⁰³ / ₊₀₀₀ | 2.000 ⁺⁰⁰⁴ / ₊₀₀₀ | 1.375 ⁺⁰⁰⁰ / ₋₀₀₄ | 1.999 ⁺⁰⁰⁰ / ₋₀₀₂ | 2.000 ⁺⁰⁰³ / ₊₀₀₀ | 7.19 |
| HU31-1.75-31 | 1-3/4 | 2-3/8 | 5/16 | .344 ⁺⁰¹⁵ / ₊₀₀₀ | 1.750 ⁺⁰⁰⁰ / ₋₀₀₂ | 1.751 ⁺⁰⁰³ / ₊₀₀₀ | 2.375 ⁺⁰⁰⁴ / ₊₀₀₀ | 1.750 ⁺⁰⁰⁰ / ₋₀₀₄ | 2.374 ⁺⁰⁰⁰ / ₋₀₀₂ | 2.375 ⁺⁰⁰³ / ₊₀₀₀ | 7.99 |
| HU31-2.00-50 | 2 | 2-5/8 | 1/2 | .550 ⁺⁰¹⁵ / ₊₀₀₀ | 2.000 ⁺⁰⁰⁰ / ₋₀₀₂ | 2.001 ⁺⁰⁰³ / ₊₀₀₀ | 2.625 ⁺⁰⁰⁴ / ₊₀₀₀ | 2.000 ⁺⁰⁰⁰ / ₋₀₀₄ | 2.624 ⁺⁰⁰⁰ / ₋₀₀₂ | 2.625 ⁺⁰⁰³ / ₊₀₀₀ | 8.92 |
| HU31-2.25-50 | 2-1/4 | 2-7/8 | 1/2 | .550 ⁺⁰¹⁵ / ₊₀₀₀ | 2.250 ⁺⁰⁰⁰ / ₋₀₀₂ | 2.251 ⁺⁰⁰³ / ₊₀₀₀ | 2.875 ⁺⁰⁰⁴ / ₊₀₀₀ | 2.250 ⁺⁰⁰⁰ / ₋₀₀₄ | 2.874 ⁺⁰⁰⁰ / ₋₀₀₂ | 2.875 ⁺⁰⁰³ / ₊₀₀₀ | 10.99 |
| HU31-2.37-31 | 2-3/8 | 3 | 5/16 | .344 ⁺⁰¹⁵ / ₊₀₀₀ | 2.375 ⁺⁰⁰⁰ / ₋₀₀₂ | 2.376 ⁺⁰⁰³ / ₊₀₀₀ | 3.000 ⁺⁰⁰⁴ / ₊₀₀₀ | 2.375 ⁺⁰⁰⁰ / ₋₀₀₄ | 2.999 ⁺⁰⁰⁰ / ₋₀₀₂ | 3.000 ⁺⁰⁰³ / ₊₀₀₀ | 10.67 |
| HU31-2.50-50 | 2-1/2 | 3-1/8 | 1/2 | .550 ⁺⁰¹⁵ / ₊₀₀₀ | 2.500 ⁺⁰⁰⁰ / ₋₀₀₂ | 2.501 ⁺⁰⁰³ / ₊₀₀₀ | 3.125 ⁺⁰⁰⁴ / ₊₀₀₀ | 2.500 ⁺⁰⁰⁰ / ₋₀₀₄ | 3.124 ⁺⁰⁰⁰ / ₋₀₀₂ | 3.125 ⁺⁰⁰³ / ₊₀₀₀ | 11.39 |
| HU31-3.87-50 | 3-7/8 | 4-1/2 | 1/2 | .550 ⁺⁰¹⁵ / ₊₀₀₀ | 3.875 ⁺⁰⁰⁰ / ₋₀₀₂ | 3.876 ⁺⁰⁰³ / ₊₀₀₀ | 4.500 ⁺⁰⁰⁴ / ₊₀₀₀ | 3.875 ⁺⁰⁰⁰ / ₋₀₀₄ | 4.499 ⁺⁰⁰⁰ / ₋₀₀₂ | 4.500 ⁺⁰⁰³ / ₊₀₀₀ | 16.47 |

NORTH AMERICA
PHONE 1-800-777-5617
FAX 1-800-759-6391

SALES OFFICE HOURS
8 A.M. TO 7:30 P.M. EASTERN TIME
www.HerculesUS.com

WORLDWIDE
PHONE 1-727-796-1300
FAX 1-727-797-8849

STYLE HU SYMMETRICAL URETHANE U-SEALS

| Part Number | A Nom. ID | B Nom. OD | C Nom. Ht | D GROOVE WIDTH | E ROD DIAMETER | F THROAT DIAMETER | G HOUSING DIAMETER | H GROOVE DIAMETER | I PISTON DIAMETER | J BORE DIAMETER | List Price |
|-----------------|-----------|-----------|-----------|--|---|---|---|---|---|---|------------|
| HU31-5.25-62 | 5-1/4 | 5-7/8 | 5/8 | .688 ⁺⁰¹⁵ / ₊₀₀₀ | 5.250 ⁺⁰⁰⁰ / ₋₀₀₂ | 5.251 ⁺⁰⁰³ / ₊₀₀₀ | 5.875 ⁺⁰⁰⁴ / ₊₀₀₀ | 5.250 ⁺⁰⁰⁰ / ₋₀₀₄ | 5.874 ⁺⁰⁰⁰ / ₋₀₀₂ | 5.875 ⁺⁰⁰³ / ₊₀₀₀ | 23.72 |
| HU31-5.37-37 | 5-3/8 | 6 | 3/8 | .413 ⁺⁰¹⁵ / ₊₀₀₀ | 5.375 ⁺⁰⁰⁰ / ₋₀₀₂ | 5.376 ⁺⁰⁰³ / ₊₀₀₀ | 6.000 ⁺⁰⁰⁴ / ₊₀₀₀ | 5.375 ⁺⁰⁰⁰ / ₋₀₀₄ | 5.999 ⁺⁰⁰⁰ / ₋₀₀₂ | 6.000 ⁺⁰⁰³ / ₊₀₀₀ | 24.35 |
| HU31-5.37-50 | 5-3/8 | 6 | 1/2 | .550 ⁺⁰¹⁵ / ₊₀₀₀ | 5.375 ⁺⁰⁰⁰ / ₋₀₀₂ | 5.376 ⁺⁰⁰³ / ₊₀₀₀ | 6.000 ⁺⁰⁰⁴ / ₊₀₀₀ | 5.375 ⁺⁰⁰⁰ / ₋₀₀₄ | 5.999 ⁺⁰⁰⁰ / ₋₀₀₂ | 6.000 ⁺⁰⁰³ / ₊₀₀₀ | 26.22 |
| HU31-5.37-62 | 5-3/8 | 6 | 5/8 | .688 ⁺⁰¹⁵ / ₊₀₀₀ | 5.375 ⁺⁰⁰⁰ / ₋₀₀₂ | 5.376 ⁺⁰⁰³ / ₊₀₀₀ | 6.000 ⁺⁰⁰⁴ / ₊₀₀₀ | 5.375 ⁺⁰⁰⁰ / ₋₀₀₄ | 5.999 ⁺⁰⁰⁰ / ₋₀₀₂ | 6.000 ⁺⁰⁰³ / ₊₀₀₀ | 26.88 |
| HU31-5.50-37 | 5-1/2 | 6-1/8 | 3/8 | .413 ⁺⁰¹⁵ / ₊₀₀₀ | 5.500 ⁺⁰⁰⁰ / ₋₀₀₂ | 5.501 ⁺⁰⁰³ / ₊₀₀₀ | 6.125 ⁺⁰⁰⁴ / ₊₀₀₀ | 5.500 ⁺⁰⁰⁰ / ₋₀₀₄ | 6.124 ⁺⁰⁰⁰ / ₋₀₀₂ | 6.125 ⁺⁰⁰³ / ₊₀₀₀ | 42.36 |
| HU31-6.50-62 | 6-1/2 | 7-1/8 | 5/8 | .688 ⁺⁰¹⁵ / ₊₀₀₀ | 6.500 ⁺⁰⁰⁰ / ₋₀₀₂ | 6.501 ⁺⁰⁰³ / ₊₀₀₀ | 7.125 ⁺⁰⁰⁴ / ₊₀₀₀ | 6.500 ⁺⁰⁰⁰ / ₋₀₀₄ | 7.124 ⁺⁰⁰⁰ / ₋₀₀₂ | 7.125 ⁺⁰⁰³ / ₊₀₀₀ | 31.60 |
| 3/8" C/S | | | | | | | | | | | |
| HU37-2.25-50 | 2-1/4 | 3 | 1/2 | .550 ⁺⁰¹⁵ / ₊₀₀₀ | 2.250 ⁺⁰⁰⁰ / ₋₀₀₂ | 2.251 ⁺⁰⁰⁴ / ₊₀₀₀ | 3.000 ⁺⁰⁰⁵ / ₊₀₀₀ | 2.250 ⁺⁰⁰⁰ / ₋₀₀₅ | 2.999 ⁺⁰⁰⁰ / ₋₀₀₂ | 3.000 ⁺⁰⁰⁴ / ₊₀₀₀ | \$ 13.58 |
| HU37-2.50-37 | 2-1/2 | 3-1/4 | 3/8 | .413 ⁺⁰¹⁵ / ₊₀₀₀ | 2.500 ⁺⁰⁰⁰ / ₋₀₀₂ | 2.501 ⁺⁰⁰⁴ / ₊₀₀₀ | 3.250 ⁺⁰⁰⁵ / ₊₀₀₀ | 2.500 ⁺⁰⁰⁰ / ₋₀₀₅ | 3.249 ⁺⁰⁰⁰ / ₋₀₀₂ | 3.250 ⁺⁰⁰⁴ / ₊₀₀₀ | 14.06 |
| HU37-2.62-62 | 2-5/8 | 3-3/8 | 5/8 | .688 ⁺⁰¹⁵ / ₊₀₀₀ | 2.625 ⁺⁰⁰⁰ / ₋₀₀₂ | 2.626 ⁺⁰⁰⁴ / ₊₀₀₀ | 3.375 ⁺⁰⁰⁵ / ₊₀₀₀ | 2.625 ⁺⁰⁰⁰ / ₋₀₀₅ | 3.374 ⁺⁰⁰⁰ / ₋₀₀₂ | 3.375 ⁺⁰⁰⁴ / ₊₀₀₀ | 15.92 |
| HU37-2.75-50 | 2-3/4 | 3-1/2 | 1/2 | .550 ⁺⁰¹⁵ / ₊₀₀₀ | 2.750 ⁺⁰⁰⁰ / ₋₀₀₂ | 2.751 ⁺⁰⁰⁴ / ₊₀₀₀ | 3.500 ⁺⁰⁰⁵ / ₊₀₀₀ | 2.750 ⁺⁰⁰⁰ / ₋₀₀₅ | 3.499 ⁺⁰⁰⁰ / ₋₀₀₂ | 3.500 ⁺⁰⁰⁴ / ₊₀₀₀ | 16.35 |
| HU37-2.75-62 | 2-3/4 | 3-1/2 | 5/8 | .688 ⁺⁰¹⁵ / ₊₀₀₀ | 2.750 ⁺⁰⁰⁰ / ₋₀₀₂ | 2.751 ⁺⁰⁰⁴ / ₊₀₀₀ | 3.500 ⁺⁰⁰⁵ / ₊₀₀₀ | 2.750 ⁺⁰⁰⁰ / ₋₀₀₅ | 3.499 ⁺⁰⁰⁰ / ₋₀₀₂ | 3.500 ⁺⁰⁰⁴ / ₊₀₀₀ | 16.52 |
| HU37-3.00-62 | 3 | 3-3/4 | 5/8 | .688 ⁺⁰¹⁵ / ₊₀₀₀ | 3.000 ⁺⁰⁰⁰ / ₋₀₀₂ | 3.001 ⁺⁰⁰⁴ / ₊₀₀₀ | 3.750 ⁺⁰⁰⁵ / ₊₀₀₀ | 3.000 ⁺⁰⁰⁰ / ₋₀₀₅ | 3.749 ⁺⁰⁰⁰ / ₋₀₀₂ | 3.750 ⁺⁰⁰⁴ / ₊₀₀₀ | 18.03 |
| HU37-3.12-62 | 3-1/8 | 3-7/8 | 5/8 | .688 ⁺⁰¹⁵ / ₊₀₀₀ | 3.125 ⁺⁰⁰⁰ / ₋₀₀₂ | 3.126 ⁺⁰⁰⁴ / ₊₀₀₀ | 3.875 ⁺⁰⁰⁵ / ₊₀₀₀ | 3.125 ⁺⁰⁰⁰ / ₋₀₀₅ | 3.874 ⁺⁰⁰⁰ / ₋₀₀₂ | 3.875 ⁺⁰⁰⁴ / ₊₀₀₀ | 18.24 |
| HU37-3.25-37 | 3-1/4 | 4 | 3/8 | .413 ⁺⁰¹⁵ / ₊₀₀₀ | 3.250 ⁺⁰⁰⁰ / ₋₀₀₂ | 3.251 ⁺⁰⁰⁴ / ₊₀₀₀ | 4.000 ⁺⁰⁰⁵ / ₊₀₀₀ | 3.250 ⁺⁰⁰⁰ / ₋₀₀₅ | 3.999 ⁺⁰⁰⁰ / ₋₀₀₂ | 4.000 ⁺⁰⁰⁴ / ₊₀₀₀ | 18.32 |
| HU37-3.25-50 | 3-1/4 | 4 | 1/2 | .550 ⁺⁰¹⁵ / ₊₀₀₀ | 3.250 ⁺⁰⁰⁰ / ₋₀₀₂ | 3.251 ⁺⁰⁰⁴ / ₊₀₀₀ | 4.000 ⁺⁰⁰⁵ / ₊₀₀₀ | 3.250 ⁺⁰⁰⁰ / ₋₀₀₅ | 3.999 ⁺⁰⁰⁰ / ₋₀₀₂ | 4.000 ⁺⁰⁰⁴ / ₊₀₀₀ | 18.32 |
| HU37-3.37-87 | 3-3/8 | 4-1/8 | 7/8 | .963 ⁺⁰¹⁵ / ₊₀₀₀ | 3.375 ⁺⁰⁰⁰ / ₋₀₀₂ | 3.376 ⁺⁰⁰⁴ / ₊₀₀₀ | 4.125 ⁺⁰⁰⁵ / ₊₀₀₀ | 3.375 ⁺⁰⁰⁰ / ₋₀₀₅ | 4.124 ⁺⁰⁰⁰ / ₋₀₀₂ | 4.125 ⁺⁰⁰⁴ / ₊₀₀₀ | 39.66 |
| HU37-3.75-50 | 3-3/4 | 4-1/2 | 1/2 | .550 ⁺⁰¹⁵ / ₊₀₀₀ | 3.750 ⁺⁰⁰⁰ / ₋₀₀₂ | 3.751 ⁺⁰⁰⁴ / ₊₀₀₀ | 4.500 ⁺⁰⁰⁵ / ₊₀₀₀ | 3.750 ⁺⁰⁰⁰ / ₋₀₀₅ | 4.499 ⁺⁰⁰⁰ / ₋₀₀₂ | 4.500 ⁺⁰⁰⁴ / ₊₀₀₀ | 24.85 |
| HU37-3.75-62 | 3-3/4 | 4-1/2 | 5/8 | .688 ⁺⁰¹⁵ / ₊₀₀₀ | 3.750 ⁺⁰⁰⁰ / ₋₀₀₂ | 3.751 ⁺⁰⁰⁴ / ₊₀₀₀ | 4.500 ⁺⁰⁰⁵ / ₊₀₀₀ | 3.750 ⁺⁰⁰⁰ / ₋₀₀₅ | 4.499 ⁺⁰⁰⁰ / ₋₀₀₂ | 4.500 ⁺⁰⁰⁴ / ₊₀₀₀ | 24.85 |
| HU37-4.25-37 | 4-1/4 | 5 | 3/8 | .413 ⁺⁰¹⁵ / ₊₀₀₀ | 4.250 ⁺⁰⁰⁰ / ₋₀₀₂ | 4.251 ⁺⁰⁰⁴ / ₊₀₀₀ | 5.000 ⁺⁰⁰⁵ / ₊₀₀₀ | 4.250 ⁺⁰⁰⁰ / ₋₀₀₅ | 4.999 ⁺⁰⁰⁰ / ₋₀₀₂ | 5.000 ⁺⁰⁰⁴ / ₊₀₀₀ | 25.20 |
| HU37-4.25-50 | 4-1/4 | 5 | 1/2 | .550 ⁺⁰¹⁵ / ₊₀₀₀ | 4.250 ⁺⁰⁰⁰ / ₋₀₀₂ | 4.251 ⁺⁰⁰⁴ / ₊₀₀₀ | 5.000 ⁺⁰⁰⁵ / ₊₀₀₀ | 4.250 ⁺⁰⁰⁰ / ₋₀₀₅ | 4.999 ⁺⁰⁰⁰ / ₋₀₀₂ | 5.000 ⁺⁰⁰⁴ / ₊₀₀₀ | 23.98 |
| HU37-4.25-62 | 4-1/4 | 5 | 5/8 | .688 ⁺⁰¹⁵ / ₊₀₀₀ | 4.250 ⁺⁰⁰⁰ / ₋₀₀₂ | 4.251 ⁺⁰⁰⁴ / ₊₀₀₀ | 5.000 ⁺⁰⁰⁵ / ₊₀₀₀ | 4.250 ⁺⁰⁰⁰ / ₋₀₀₅ | 4.999 ⁺⁰⁰⁰ / ₋₀₀₂ | 5.000 ⁺⁰⁰⁴ / ₊₀₀₀ | 25.20 |
| HU37-4.37-50 | 4-3/8 | 5-1/8 | 1/2 | .550 ⁺⁰¹⁵ / ₊₀₀₀ | 4.375 ⁺⁰⁰⁰ / ₋₀₀₂ | 4.376 ⁺⁰⁰⁴ / ₊₀₀₀ | 5.125 ⁺⁰⁰⁵ / ₊₀₀₀ | 4.375 ⁺⁰⁰⁰ / ₋₀₀₅ | 5.124 ⁺⁰⁰⁰ / ₋₀₀₂ | 5.125 ⁺⁰⁰⁴ / ₊₀₀₀ | 33.05 |
| HU37-4.50-37 | 4-1/2 | 5-1/4 | 3/8 | .413 ⁺⁰¹⁵ / ₊₀₀₀ | 4.500 ⁺⁰⁰⁰ / ₋₀₀₂ | 4.501 ⁺⁰⁰⁴ / ₊₀₀₀ | 5.250 ⁺⁰⁰⁵ / ₊₀₀₀ | 4.500 ⁺⁰⁰⁰ / ₋₀₀₅ | 5.249 ⁺⁰⁰⁰ / ₋₀₀₂ | 5.250 ⁺⁰⁰⁴ / ₊₀₀₀ | 34.45 |
| HU37-4.50-50 | 4-1/2 | 5-1/4 | 1/2 | .550 ⁺⁰¹⁵ / ₊₀₀₀ | 4.500 ⁺⁰⁰⁰ / ₋₀₀₂ | 4.501 ⁺⁰⁰⁴ / ₊₀₀₀ | 5.250 ⁺⁰⁰⁵ / ₊₀₀₀ | 4.500 ⁺⁰⁰⁰ / ₋₀₀₅ | 5.249 ⁺⁰⁰⁰ / ₋₀₀₂ | 5.250 ⁺⁰⁰⁴ / ₊₀₀₀ | 26.20 |
| HU37-4.75-50 | 4-3/4 | 5-1/2 | 1/2 | .550 ⁺⁰¹⁵ / ₊₀₀₀ | 4.750 ⁺⁰⁰⁰ / ₋₀₀₂ | 4.751 ⁺⁰⁰⁴ / ₊₀₀₀ | 5.500 ⁺⁰⁰⁵ / ₊₀₀₀ | 4.750 ⁺⁰⁰⁰ / ₋₀₀₅ | 5.499 ⁺⁰⁰⁰ / ₋₀₀₂ | 5.500 ⁺⁰⁰⁴ / ₊₀₀₀ | 26.22 |
| HU37-5.00-37 | 5 | 5-3/4 | 3/8 | .413 ⁺⁰¹⁵ / ₊₀₀₀ | 5.000 ⁺⁰⁰⁰ / ₋₀₀₂ | 5.001 ⁺⁰⁰⁴ / ₊₀₀₀ | 5.750 ⁺⁰⁰⁵ / ₊₀₀₀ | 5.000 ⁺⁰⁰⁰ / ₋₀₀₅ | 5.749 ⁺⁰⁰⁰ / ₋₀₀₂ | 5.750 ⁺⁰⁰⁴ / ₊₀₀₀ | 37.84 |
| HU37-5.00-50 | 5 | 5-3/4 | 1/2 | .550 ⁺⁰¹⁵ / ₊₀₀₀ | 5.000 ⁺⁰⁰⁰ / ₋₀₀₂ | 5.001 ⁺⁰⁰⁴ / ₊₀₀₀ | 5.750 ⁺⁰⁰⁵ / ₊₀₀₀ | 5.000 ⁺⁰⁰⁰ / ₋₀₀₅ | 5.749 ⁺⁰⁰⁰ / ₋₀₀₂ | 5.750 ⁺⁰⁰⁴ / ₊₀₀₀ | 28.18 |
| HU37-5.25-37 | 5-1/4 | 6 | 3/8 | .413 ⁺⁰¹⁵ / ₊₀₀₀ | 5.250 ⁺⁰⁰⁰ / ₋₀₀₂ | 5.251 ⁺⁰⁰⁴ / ₊₀₀₀ | 6.000 ⁺⁰⁰⁵ / ₊₀₀₀ | 5.250 ⁺⁰⁰⁰ / ₋₀₀₅ | 5.999 ⁺⁰⁰⁰ / ₋₀₀₂ | 6.000 ⁺⁰⁰⁴ / ₊₀₀₀ | 28.43 |
| HU37-5.25-50 | 5-1/4 | 6 | 1/2 | .550 ⁺⁰¹⁵ / ₊₀₀₀ | 5.250 ⁺⁰⁰⁰ / ₋₀₀₂ | 5.251 ⁺⁰⁰⁴ / ₊₀₀₀ | 6.000 ⁺⁰⁰⁵ / ₊₀₀₀ | 5.250 ⁺⁰⁰⁰ / ₋₀₀₅ | 5.999 ⁺⁰⁰⁰ / ₋₀₀₂ | 6.000 ⁺⁰⁰⁴ / ₊₀₀₀ | 29.36 |
| HU37-5.25-62 | 5-1/4 | 6 | 5/8 | .688 ⁺⁰¹⁵ / ₊₀₀₀ | 5.250 ⁺⁰⁰⁰ / ₋₀₀₂ | 5.251 ⁺⁰⁰⁴ / ₊₀₀₀ | 6.000 ⁺⁰⁰⁵ / ₊₀₀₀ | 5.250 ⁺⁰⁰⁰ / ₋₀₀₅ | 5.999 ⁺⁰⁰⁰ / ₋₀₀₂ | 6.000 ⁺⁰⁰⁴ / ₊₀₀₀ | 29.83 |
| HU37-5.50-62 | 5-1/2 | 6-1/4 | 5/8 | .688 ⁺⁰¹⁵ / ₊₀₀₀ | 5.500 ⁺⁰⁰⁰ / ₋₀₀₂ | 5.501 ⁺⁰⁰⁴ / ₊₀₀₀ | 6.250 ⁺⁰⁰⁵ / ₊₀₀₀ | 5.500 ⁺⁰⁰⁰ / ₋₀₀₅ | 6.249 ⁺⁰⁰⁰ / ₋₀₀₂ | 6.250 ⁺⁰⁰⁴ / ₊₀₀₀ | 30.45 |
| HU37-6.00-50 | 6 | 6-3/4 | 1/2 | .550 ⁺⁰¹⁵ / ₊₀₀₀ | 6.000 ⁺⁰⁰⁰ / ₋₀₀₂ | 6.001 ⁺⁰⁰⁴ / ₊₀₀₀ | 6.750 ⁺⁰⁰⁵ / ₊₀₀₀ | 6.000 ⁺⁰⁰⁰ / ₋₀₀₅ | 6.749 ⁺⁰⁰⁰ / ₋₀₀₂ | 6.750 ⁺⁰⁰⁴ / ₊₀₀₀ | 59.08 |

U-SEALS



STYLE HU SYMMETRICAL URETHANE U-SEALS

| Part Number | A Nom. ID | B Nom. OD | C Nom. Ht | D GROOVE WIDTH | E ROD DIAMETER | F THROAT DIAMETER | G HOUSING DIAMETER | H GROOVE DIAMETER | I PISTON DIAMETER | J BORE DIAMETER | List Price |
|-----------------|--------------|--------------|--------------|--------------------------|---------------------------|---------------------------|---------------------------|---------------------------|---------------------------|---------------------------|---------------|
| HU37-6.25-37 | 6-1/4 | 7 | 3/8 | .413 +0.015 +0.000 | 6.250 +0.000 -0.002 | 6.251 +0.004 +0.000 | 7.000 +0.005 +0.000 | 6.250 +0.000 -0.005 | 6.999 +0.000 -0.002 | 7.000 +0.004 +0.000 | 32.42 |
| HU37-6.25-50 | 6-1/4 | 7 | 1/2 | .550 +0.015 +0.000 | 6.250 +0.000 -0.002 | 6.251 +0.004 +0.000 | 7.000 +0.005 +0.000 | 6.250 +0.000 -0.005 | 6.999 +0.000 -0.002 | 7.000 +0.004 +0.000 | 34.46 |
| HU37-6.25-62 | 6-1/4 | 7 | 5/8 | .688 +0.015 +0.000 | 6.250 +0.000 -0.002 | 6.251 +0.004 +0.000 | 7.000 +0.005 +0.000 | 6.250 +0.000 -0.005 | 6.999 +0.000 -0.002 | 7.000 +0.004 +0.000 | 35.12 |
| HU37-6.50-37 | 6-1/2 | 7-1/4 | 3/8 | .413 +0.015 +0.000 | 6.500 +0.000 -0.002 | 6.501 +0.004 +0.000 | 7.250 +0.005 +0.000 | 6.500 +0.000 -0.005 | 7.249 +0.000 -0.002 | 7.250 +0.004 +0.000 | 51.88 |
| HU37-6.50-62 | 6-1/2 | 7-1/4 | 5/8 | .688 +0.015 +0.000 | 6.500 +0.000 -0.002 | 6.501 +0.004 +0.000 | 7.250 +0.005 +0.000 | 6.500 +0.000 -0.005 | 7.249 +0.000 -0.002 | 7.250 +0.004 +0.000 | 35.76 |
| HU37-7.25-37 | 7-1/4 | 8 | 3/8 | .413 +0.015 +0.000 | 7.250 +0.000 -0.002 | 7.251 +0.004 +0.000 | 8.000 +0.005 +0.000 | 7.250 +0.000 -0.005 | 7.999 +0.000 -0.002 | 8.000 +0.004 +0.000 | 51.86 |
| HU37-7.25-62 | 7-1/4 | 8 | 5/8 | .688 +0.015 +0.000 | 7.250 +0.000 -0.002 | 7.251 +0.004 +0.000 | 8.000 +0.005 +0.000 | 7.250 +0.000 -0.005 | 7.999 +0.000 -0.002 | 8.000 +0.004 +0.000 | 36.10 |
| 1/2" C/S | | | | | | | | | | | |
| HU50-3.00-50 | 3 | 4 | 1/2 | .550 +0.015 +0.000 | 3.000 +0.000 -0.003 | 3.001 +0.005 +0.000 | 4.000 +0.007 +0.000 | 3.000 +0.000 -0.007 | 3.999 +0.000 -0.003 | 4.000 +0.005 +0.000 | \$32.84 |
| HU50-4.00-50 | 4 | 5 | 1/2 | .550 +0.015 +0.000 | 4.000 +0.000 -0.003 | 4.001 +0.005 +0.000 | 5.000 +0.007 +0.000 | 4.000 +0.000 -0.007 | 4.999 +0.000 -0.003 | 5.000 +0.005 +0.000 | 42.22 |
| HU50-4.00-62 | 4 | 5 | 5/8 | .688 +0.015 +0.000 | 4.000 +0.000 -0.003 | 4.001 +0.005 +0.000 | 5.000 +0.007 +0.000 | 4.000 +0.000 -0.007 | 4.999 +0.000 -0.003 | 5.000 +0.005 +0.000 | 42.22 |
| HU50-5.00-50 | 5 | 6 | 1/2 | .550 +0.015 +0.000 | 5.000 +0.000 -0.003 | 5.001 +0.005 +0.000 | 6.000 +0.007 +0.000 | 5.000 +0.000 -0.007 | 5.999 +0.000 -0.003 | 6.000 +0.005 +0.000 | 51.57 |
| HU50-5.00-75 | 5 | 6 | 3/4 | .825 +0.015 +0.000 | 5.000 +0.000 -0.003 | 5.001 +0.005 +0.000 | 6.000 +0.007 +0.000 | 5.000 +0.000 -0.007 | 5.999 +0.000 -0.003 | 6.000 +0.005 +0.000 | 39.07 |
| HU50-6.00-50 | 6 | 7 | 1/2 | .550 +0.015 +0.000 | 6.000 +0.000 -0.003 | 6.001 +0.005 +0.000 | 7.000 +0.007 +0.000 | 6.000 +0.000 -0.007 | 6.999 +0.000 -0.003 | 7.000 +0.005 +0.000 | 88.19 |

U-SEALS

Seal color may vary. Special order sizes are available. Sizes not shown and out of stock items can also be ordered for next day delivery through Seals On Demand, our custom seal program. Please call your regional sales team for assistance.

NORTH AMERICA
PHONE 1-800-777-5617
FAX 1-800-759-6391

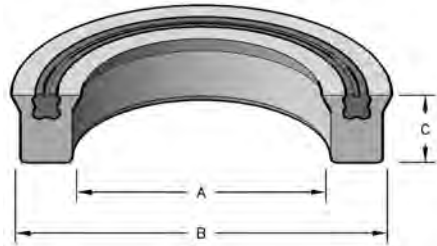
SALES OFFICE HOURS
8 A.M. TO 7:30 P.M. EASTERN TIME
www.HerculesUS.com

WORLDWIDE
PHONE 1-727-796-1300
FAX 1-727-797-8849

STYLE UPU PREMIUM U-SEALS

Style UPU Premium U-Seals are molded from ultra tough urethane for severe service conditions. They feature higher tensile strength and modulus for extrusion resistance. These seals are used in high energy services such as rock drills and shock absorbing devices where high internal heat is generated.

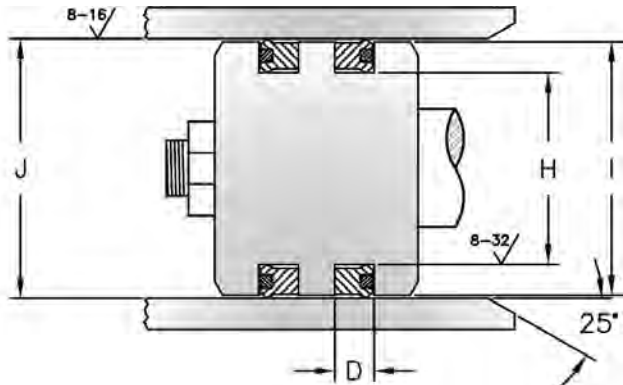
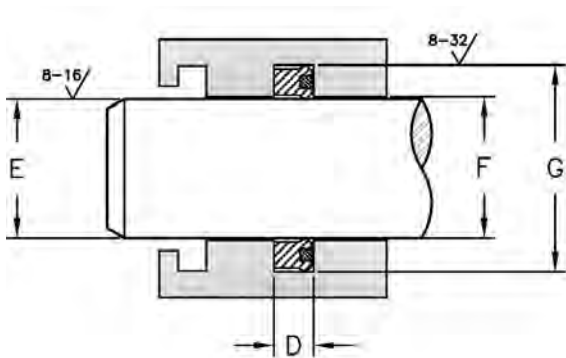
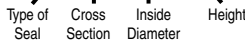
N=Nitrile



| SEAL INFORMATION | |
|-------------------|-----------------|
| MATERIAL | 93A URETHANE |
| TEMPERATURE RANGE | -65° TO +300° F |
| PRESSURE RANGE | 0 TO 5,000 PSI |
| SPEED | 3 FT/SEC |

HERCULES PART NUMBERS

UPU 12 - 0.75 - 25B



Standard -
Height and cross section are equal, thus giving a square seal. Utilizes type "D" lip
Typical Part Number UPU25-2.50



Deep -
Utilizes the same "D" lip, but the seal height is greater than the cross section, thus giving a rectangular shape.
Typical Part Number UPU25-2.50-37D



Type SQB -
Same dimensions as the Standard seal. Beveled lip design provides better film breaking. Utilizes type "B" lip.
Typical Part Number UPU25-2.50-SQB



Type B -
Same dimensions as the Deep seal. Beveled lip design provides better film breaking. Utilizes type "B" lip.
Typical Part Number UPU25-2.50-37B

These parts will no longer be available once the current stock has been depleted. Suggested alternates for the UPU U-Seals are RU9, Style 850 BPM and Style 800 high temperature.

| Part Number | A Nom. ID | B Nom. OD | C Nom. Ht | D GROOVE WIDTH | E ROD DIAMETER | F THROAT DIAMETER | G HOUSING DIAMETER | H GROOVE DIAMETER | I PISTON DIAMETER | J BORE DIAMETER | List Price |
|-----------------|-----------|-----------|-----------|--------------------|---------------------|---------------------|---------------------|---------------------|---------------------|---------------------|------------|
| 1/8" C/S | | | | | | | | | | | |
| UPU12-0.62 | 5/8 | 7/8 | 1/8 | .138 +.015 / -.000 | .625 +.000 / -.001 | .626 +.002 / +.000 | .875 +.002 / +.000 | .625 +.000 / -.002 | .874 +.000 / -.001 | .875 +.002 / +.000 | \$ 17.71 |
| UPU12-0.75 | 3/4 | 1 | 1/8 | .138 +.015 / +.000 | .750 +.000 / -.001 | .751 +.002 / +.000 | 1.000 +.002 / +.000 | .750 +.000 / -.002 | .999 +.000 / -.001 | 1.000 +.002 / +.000 | 18.08 |
| UPU12-0.75-25B | 3/4 | 1 | 1/4 | .275 +.015 / +.000 | .750 +.000 / -.001 | .751 +.002 / +.000 | 1.000 +.002 / +.000 | .750 +.000 / -.002 | .999 +.000 / -.001 | 1.000 +.002 / +.000 | 18.50 |
| UPU12-0.87 | 7/8 | 1-1/8 | 1/8 | .138 +.015 / +.000 | .875 +.000 / -.001 | .876 +.002 / +.000 | 1.125 +.002 / +.000 | .875 +.000 / -.002 | 1.124 +.000 / -.001 | 1.125 +.002 / +.000 | 17.28 |
| UPU12-1.25 | 1-1/4 | 1-1/2 | 1/8 | .138 +.015 / +.000 | 1.250 +.000 / -.001 | 1.251 +.002 / +.000 | 1.500 +.002 / +.000 | 1.250 +.000 / -.002 | 1.499 +.000 / -.001 | 1.500 +.002 / +.000 | 26.88 |

FORMERLY LISTED SEALS ARE AVAILABLE ONLINE AT WWW.HERCULESUS.COM OR BY CONTACTING YOUR REGIONAL HERCULES SALES TEAM.

U-SEALS



STYLE UPU PREMIUM U-SEALS

| Part Number | A Nom. ID | B Nom. OD | C Nom. Ht | D GROOVE WIDTH | E ROD DIAMETER | F THROAT DIAMETER | G HOUSING DIAMETER | H GROOVE DIAMETER | I PISTON DIAMETER | J BORE DIAMETER | List Price |
|------------------|-----------|-----------|-----------|--|---|---|---|---|---|---|------------|
| UPU12-1.37-25D | 1-3/8 | 1-5/8 | 1/4 | .275 ^{+0.015} / _{+0.000} | 1.375 ^{+0.000} / _{-0.001} | 1.376 ^{+0.002} / _{+0.000} | 1.625 ^{+0.002} / _{+0.000} | 1.375 ^{+0.000} / _{-0.002} | 1.624 ^{+0.000} / _{-0.001} | 1.625 ^{+0.002} / _{+0.000} | 26.87 |
| 5/32" C/S | | | | | | | | | | | |
| UPU15-1.00 | 1 | 1-5/16 | 5/32 | .172 ^{+0.015} / _{+0.000} | 1.000 ^{+0.000} / _{-0.002} | 1.001 ^{+0.002} / _{+0.000} | 1.313 ^{+0.002} / _{+0.000} | 1.000 ^{+0.000} / _{-0.002} | 1.312 ^{+0.000} / _{-0.001} | 1.313 ^{+0.002} / _{+0.000} | \$27.44 |
| UPU15-1.37 | 1-3/8 | 1-11/16 | 5/32 | .172 ^{+0.015} / _{+0.000} | 1.375 ^{+0.000} / _{-0.002} | 1.376 ^{+0.002} / _{+0.000} | 1.688 ^{+0.002} / _{+0.000} | 1.375 ^{+0.000} / _{-0.002} | 1.687 ^{+0.000} / _{-0.001} | 1.688 ^{+0.002} / _{+0.000} | 23.83 |
| 3/16" C/S | | | | | | | | | | | |
| UPU18-1.00-31B | 1 | 1-3/8 | 5/16 | .344 ^{+0.015} / _{+0.000} | 1.000 ^{+0.000} / _{-0.002} | 1.001 ^{+0.002} / _{+0.000} | 1.375 ^{+0.002} / _{+0.000} | 1.000 ^{+0.000} / _{-0.002} | 1.373 ^{+0.000} / _{-0.002} | 1.375 ^{+0.002} / _{+0.000} | \$21.34 |
| UPU18-1.12 | 1-1/8 | 1-1/2 | 3/16 | .207 ^{+0.015} / _{+0.000} | 1.125 ^{+0.000} / _{-0.002} | 1.126 ^{+0.002} / _{+0.000} | 1.500 ^{+0.002} / _{+0.000} | 1.125 ^{+0.000} / _{-0.002} | 1.498 ^{+0.000} / _{-0.002} | 1.500 ^{+0.002} / _{+0.000} | 22.07 |
| UPU18-1.12-31B | 1-1/8 | 1-1/2 | 5/16 | .344 ^{+0.015} / _{+0.000} | 1.125 ^{+0.000} / _{-0.002} | 1.126 ^{+0.002} / _{+0.000} | 1.500 ^{+0.002} / _{+0.000} | 1.125 ^{+0.000} / _{-0.002} | 1.498 ^{+0.000} / _{-0.002} | 1.500 ^{+0.002} / _{+0.000} | 22.33 |
| UPU18-1.25 | 1-1/4 | 1-5/8 | 3/16 | .207 ^{+0.015} / _{+0.000} | 1.250 ^{+0.000} / _{-0.002} | 1.251 ^{+0.002} / _{+0.000} | 1.625 ^{+0.002} / _{+0.000} | 1.250 ^{+0.000} / _{-0.002} | 1.623 ^{+0.000} / _{-0.002} | 1.625 ^{+0.002} / _{+0.000} | 21.06 |
| UPU18-1.37 | 1-3/8 | 1-3/4 | 3/16 | .207 ^{+0.015} / _{+0.000} | 1.375 ^{+0.000} / _{-0.002} | 1.376 ^{+0.002} / _{+0.000} | 1.750 ^{+0.002} / _{+0.000} | 1.375 ^{+0.000} / _{-0.002} | 1.748 ^{+0.000} / _{-0.002} | 1.750 ^{+0.002} / _{+0.000} | 23.83 |
| UPU18-1.37-31B | 1-3/8 | 1-3/4 | 5/16 | .344 ^{+0.015} / _{+0.000} | 1.375 ^{+0.000} / _{-0.002} | 1.376 ^{+0.002} / _{+0.000} | 1.750 ^{+0.002} / _{+0.000} | 1.375 ^{+0.000} / _{-0.002} | 1.748 ^{+0.000} / _{-0.002} | 1.750 ^{+0.002} / _{+0.000} | 45.77 |
| UPU18-1.50 | 1-1/2 | 1-7/8 | 3/16 | .207 ^{+0.015} / _{+0.000} | 1.500 ^{+0.000} / _{-0.002} | 1.501 ^{+0.002} / _{+0.000} | 1.875 ^{+0.002} / _{+0.000} | 1.500 ^{+0.000} / _{-0.002} | 1.873 ^{+0.000} / _{-0.002} | 1.875 ^{+0.002} / _{+0.000} | 59.52 |
| UPU18-1.50-37B | 1-1/2 | 1-7/8 | 3/8 | .413 ^{+0.015} / _{+0.000} | 1.500 ^{+0.000} / _{-0.002} | 1.501 ^{+0.002} / _{+0.000} | 1.875 ^{+0.002} / _{+0.000} | 1.500 ^{+0.000} / _{-0.002} | 1.873 ^{+0.000} / _{-0.002} | 1.875 ^{+0.002} / _{+0.000} | 25.97 |
| UPU18-1.62-37B | 1-5/8 | 2 | 3/8 | .413 ^{+0.015} / _{+0.000} | 1.625 ^{+0.000} / _{-0.002} | 1.626 ^{+0.002} / _{+0.000} | 2.000 ^{+0.002} / _{+0.000} | 1.625 ^{+0.000} / _{-0.002} | 1.998 ^{+0.000} / _{-0.002} | 2.000 ^{+0.002} / _{+0.000} | 26.24 |
| UPU18-2.00-37B | 2 | 2-3/8 | 3/8 | .413 ^{+0.015} / _{+0.000} | 2.000 ^{+0.000} / _{-0.002} | 2.001 ^{+0.002} / _{+0.000} | 2.375 ^{+0.002} / _{+0.000} | 2.000 ^{+0.000} / _{-0.002} | 2.373 ^{+0.000} / _{-0.002} | 2.375 ^{+0.002} / _{+0.000} | 30.95 |
| UPU18-2.12 | 2-1/8 | 2-1/2 | 3/16 | .207 ^{+0.015} / _{+0.000} | 2.125 ^{+0.000} / _{-0.002} | 2.126 ^{+0.002} / _{+0.000} | 2.500 ^{+0.002} / _{+0.000} | 2.125 ^{+0.000} / _{-0.002} | 2.498 ^{+0.000} / _{-0.002} | 2.500 ^{+0.002} / _{+0.000} | 37.64 |
| UPU18-2.50-37B | 2-1/2 | 2-7/8 | 3/8 | .413 ^{+0.015} / _{+0.000} | 2.500 ^{+0.000} / _{-0.002} | 2.501 ^{+0.002} / _{+0.000} | 2.875 ^{+0.002} / _{+0.000} | 2.500 ^{+0.000} / _{-0.002} | 2.873 ^{+0.000} / _{-0.002} | 2.875 ^{+0.002} / _{+0.000} | 37.38 |
| UPU18-3.00-37B | 3 | 3-3/8 | 3/8 | .413 ^{+0.015} / _{+0.000} | 3.000 ^{+0.000} / _{-0.002} | 3.001 ^{+0.002} / _{+0.000} | 3.375 ^{+0.002} / _{+0.000} | 3.000 ^{+0.000} / _{-0.002} | 3.373 ^{+0.000} / _{-0.002} | 3.375 ^{+0.002} / _{+0.000} | 47.51 |
| 1/4" C/S | | | | | | | | | | | |
| UPU25-1.00 | 1 | 1-1/2 | 1/4 | .275 ^{+0.015} / _{+0.000} | 1.000 ^{+0.000} / _{-0.002} | 1.001 ^{+0.003} / _{+0.000} | 1.500 ^{+0.003} / _{+0.000} | 1.000 ^{+0.000} / _{-0.003} | 1.498 ^{+0.000} / _{-0.002} | 1.500 ^{+0.003} / _{+0.000} | \$22.44 |
| UPU25-1.25 | 1-1/4 | 1-3/4 | 1/4 | .275 ^{+0.015} / _{+0.000} | 1.250 ^{+0.000} / _{-0.002} | 1.251 ^{+0.003} / _{+0.000} | 1.750 ^{+0.003} / _{+0.000} | 1.250 ^{+0.000} / _{-0.003} | 1.748 ^{+0.000} / _{-0.002} | 1.750 ^{+0.003} / _{+0.000} | 21.33 |
| UPU25-1.75 | 1-3/4 | 2-1/4 | 1/4 | .275 ^{+0.015} / _{+0.000} | 1.750 ^{+0.000} / _{-0.002} | 1.751 ^{+0.003} / _{+0.000} | 2.250 ^{+0.003} / _{+0.000} | 1.750 ^{+0.000} / _{-0.003} | 2.248 ^{+0.000} / _{-0.002} | 2.250 ^{+0.003} / _{+0.000} | 28.03 |
| UPU25-2.25-37B | 2-1/4 | 2-3/4 | 3/8 | .413 ^{+0.015} / _{+0.000} | 2.250 ^{+0.000} / _{-0.002} | 2.251 ^{+0.003} / _{+0.000} | 2.750 ^{+0.003} / _{+0.000} | 2.250 ^{+0.000} / _{-0.003} | 2.748 ^{+0.000} / _{-0.002} | 2.750 ^{+0.003} / _{+0.000} | 38.19 |
| UPU25-2.75 | 2-3/4 | 3-1/4 | 1/4 | .275 ^{+0.015} / _{+0.000} | 2.750 ^{+0.000} / _{-0.002} | 2.751 ^{+0.003} / _{+0.000} | 3.250 ^{+0.003} / _{+0.000} | 2.750 ^{+0.000} / _{-0.003} | 3.248 ^{+0.000} / _{-0.002} | 3.250 ^{+0.003} / _{+0.000} | 40.70 |
| UPU25-3.00 | 3 | 3-1/2 | 1/4 | .275 ^{+0.015} / _{+0.000} | 3.000 ^{+0.000} / _{-0.002} | 3.001 ^{+0.003} / _{+0.000} | 3.500 ^{+0.003} / _{+0.000} | 3.000 ^{+0.000} / _{-0.003} | 3.498 ^{+0.000} / _{-0.002} | 3.500 ^{+0.003} / _{+0.000} | 63.62 |
| UPU25-4.00-56B | 4 | 4-1/2 | 9/16 | .619 ^{+0.015} / _{+0.000} | 4.000 ^{+0.000} / _{-0.002} | 4.001 ^{+0.003} / _{+0.000} | 4.500 ^{+0.003} / _{+0.000} | 4.000 ^{+0.000} / _{-0.003} | 4.498 ^{+0.000} / _{-0.002} | 4.500 ^{+0.003} / _{+0.000} | 65.90 |
| UPU25-5.00-37B | 5 | 5-1/2 | 3/8 | .413 ^{+0.015} / _{+0.000} | 5.000 ^{+0.000} / _{-0.002} | 5.001 ^{+0.003} / _{+0.000} | 5.500 ^{+0.003} / _{+0.000} | 5.000 ^{+0.000} / _{-0.003} | 5.498 ^{+0.000} / _{-0.002} | 5.500 ^{+0.003} / _{+0.000} | 90.17 |
| UPU31-1.00 | 1 | 1-5/8 | 5/16 | .344 ^{+0.015} / _{+0.000} | 1.000 ^{+0.000} / _{-0.002} | 1.002 ^{+0.003} / _{+0.000} | 1.625 ^{+0.004} / _{+0.000} | 1.000 ^{+0.000} / _{-0.004} | 1.623 ^{+0.000} / _{-0.002} | 1.625 ^{+0.003} / _{+0.000} | 28.46 |
| UPU31-1.25 | 1-1/4 | 1-7/8 | 5/16 | .344 ^{+0.015} / _{+0.000} | 1.250 ^{+0.000} / _{-0.002} | 1.252 ^{+0.003} / _{+0.000} | 1.875 ^{+0.004} / _{+0.000} | 1.250 ^{+0.000} / _{-0.004} | 1.873 ^{+0.000} / _{-0.002} | 1.875 ^{+0.003} / _{+0.000} | 29.42 |
| 5/16" C/S | | | | | | | | | | | |
| UPU31-1.75-50B | 1-3/4 | 2-3/8 | 1/2 | .550 ^{+0.015} / _{+0.000} | 1.750 ^{+0.000} / _{-0.002} | 1.752 ^{+0.003} / _{+0.000} | 2.375 ^{+0.004} / _{+0.000} | 1.750 ^{+0.000} / _{-0.004} | 2.373 ^{+0.000} / _{-0.002} | 2.375 ^{+0.003} / _{+0.000} | \$38.81 |
| UPU31-2.25 | 2-1/4 | 2-7/8 | 5/16 | .344 ^{+0.015} / _{+0.000} | 2.250 ^{+0.000} / _{-0.002} | 2.252 ^{+0.003} / _{+0.000} | 2.875 ^{+0.004} / _{+0.000} | 2.250 ^{+0.000} / _{-0.004} | 2.873 ^{+0.000} / _{-0.002} | 2.875 ^{+0.003} / _{+0.000} | 42.93 |
| UPU31-2.37 | 2-3/8 | 3 | 5/16 | .344 ^{+0.015} / _{+0.000} | 2.375 ^{+0.000} / _{-0.002} | 2.377 ^{+0.003} / _{+0.000} | 3.000 ^{+0.004} / _{+0.000} | 2.375 ^{+0.000} / _{-0.004} | 2.998 ^{+0.000} / _{-0.002} | 3.000 ^{+0.003} / _{+0.000} | 43.01 |
| UPU31-2.50 | 2-1/2 | 3-1/8 | 5/16 | .344 ^{+0.015} / _{+0.000} | 2.500 ^{+0.000} / _{-0.002} | 2.502 ^{+0.003} / _{+0.000} | 3.125 ^{+0.004} / _{+0.000} | 2.500 ^{+0.000} / _{-0.004} | 3.123 ^{+0.000} / _{-0.002} | 3.125 ^{+0.003} / _{+0.000} | 39.80 |

NORTH AMERICA
PHONE 1-800-777-5617
FAX 1-800-759-6391

SALES OFFICE HOURS
8 A.M. TO 7:30 P.M. EASTERN TIME
www.HerculesUS.com

WORLDWIDE
PHONE 1-727-796-1300
FAX 1-727-797-8849



STYLE UPU PREMIUM U-SEALS

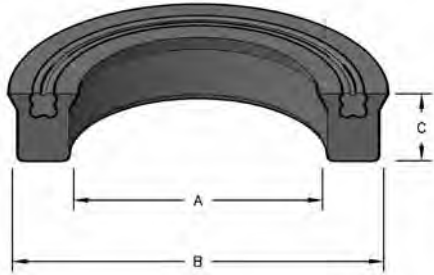
| Part Number | A Nom. ID | B Nom. OD | C Nom. Ht | D GROOVE WIDTH | E ROD DIAMETER | F THROAT DIAMETER | G HOUSING DIAMETER | H GROOVE DIAMETER | I PISTON DIAMETER | J BORE DIAMETER | List Price |
|-----------------|-----------|-----------|-----------|--|--|---|---|--|--|---|------------|
| UPU31-3.00 | 3 | 3-5/8 | 5/16 | .344 ^{+0.015} / _{+0.000} | 3.000 ^{+0.000} / _{-.002} | 3.002 ^{+0.003} / _{+0.000} | 3.625 ^{+0.004} / _{+0.000} | 3.000 ^{+0.000} / _{-.004} | 3.623 ^{+0.000} / _{-.002} | 3.625 ^{+0.003} / _{+0.000} | 55.16 |
| 3/8" C/S | | | | | | | | | | | |
| UPU37-3.00-62B | 3 | 3-3/4 | 5/8 | .688 ^{+0.015} / _{+0.000} | 3.000 ^{+0.000} / _{-.002} | 3.002 ^{+0.004} / _{+0.000} | 3.750 ^{+0.005} / _{+0.000} | 3.000 ^{+0.000} / _{-.005} | 3.748 ^{+0.000} / _{-.002} | 3.750 ^{+0.004} / _{+0.000} | \$80.48 |
| UPU37-4.50-62B | 4-1/2 | 5-1/4 | 5/8 | .688 ^{+0.015} / _{+0.000} | 4.500 ^{+0.000} / _{-.002} | 4.502 ^{+0.004} / _{+0.000} | 5.250 ^{+0.005} / _{+0.000} | 4.500 ^{+0.000} / _{-.005} | 5.248 ^{+0.000} / _{-.002} | 5.250 ^{+0.004} / _{+0.000} | 113.62 |
| UPU37-4.75-62B | 4-3/4 | 5-1/2 | 5/8 | .688 ^{+0.015} / _{+0.000} | 4.750 ^{+0.000} / _{-.002} | 4.752 ^{+0.004} / _{+0.000} | 5.500 ^{+0.005} / _{+0.000} | 4.750 ^{+0.000} / _{-.005} | 5.498 ^{+0.000} / _{-.002} | 5.500 ^{+0.004} / _{+0.000} | 118.93 |
| 1/2" C/S | | | | | | | | | | | |
| UPU50-5.00 | 5 | 6 | 1/2 | .550 ^{+0.015} / _{+0.000} | 5.000 ^{+0.000} / _{-.003} | 5.002 ^{+0.005} / _{+0.000} | 6.000 ^{+0.007} / _{+0.000} | 5.000 ^{+0.000} / _{-.007} | 5.998 ^{+0.000} / _{-.003} | 6.000 ^{+0.005} / _{+0.000} | \$156.12 |

U-SEALS

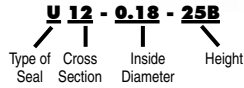


STYLE 800 POLYURETHANE U-SEALS

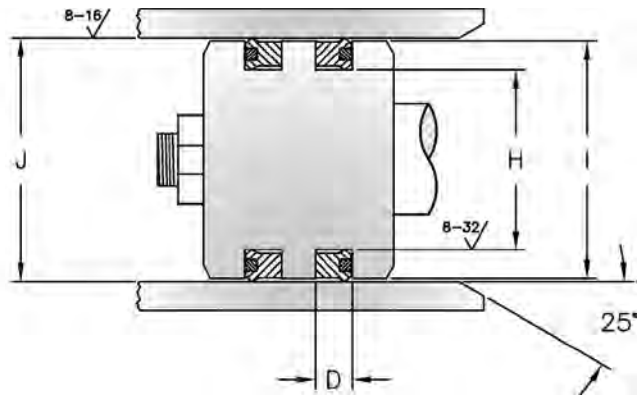
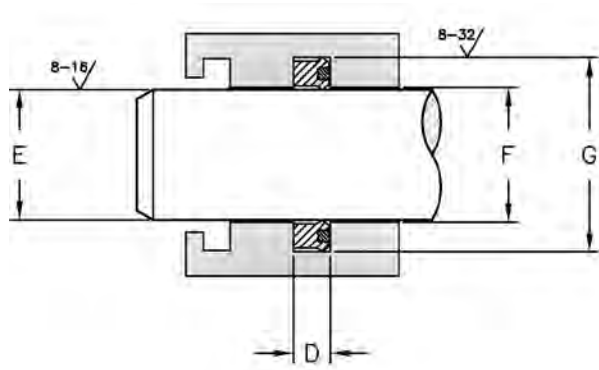
Style 800 U-seals are molded from tough, abrasion-resistant polyurethane. The four lobed expander ring energizes the sealing lips, even at zero pressure, to help prevent "weeping" when the system is idle.



HERCULES PART NUMBERS



| SEAL INFORMATION | |
|-------------------|-----------------|
| MATERIAL | 95A URETHANE |
| TEMPERATURE RANGE | -65° TO +220° F |
| PRESSURE RANGE | 0 TO 5,000 PSI |
| SPEED | 3 FT/SEC |



Standard -
Height and cross section are equal, thus giving a square seal. Utilizes type "D" lip
Typical Part Number U25-2.50



Deep -
Utilizes the same "D" lip, but the seal height is greater than the cross section, thus giving a rectangular shape.
Typical Part Number U25-2.50-37D



Type SQB -
Same dimensions as the Standard seal. Beveled lip design provides better film breaking. Utilizes type "B" lip.
Typical Part Number U25-2.50-SQB



Type B -
Same dimensions as the Deep seal. Beveled lip design provides better film breaking. Utilizes type "B" lip.
Typical Part Number U25-2.50-37B

| Part Number | A Nom. ID | B Nom. OD | C Nom. Ht | D GROOVE WIDTH | E ROD DIAMETER | F THROAT DIAMETER | G HOUSING DIAMETER | H GROOVE DIAMETER | I PISTON DIAMETER | J BORE DIAMETER | List Price |
|-----------------|-----------|-----------|-----------|--|--|--|--|--|--|--|------------|
| 1/8" C/S | | | | | | | | | | | |
| U12-0.12 | 1/8 | 3/8 | 1/8 | .138 ^{+0.015} / _{+0.000} | .125 ^{+0.000} / _{-0.001} | .126 ^{+0.002} / _{+0.000} | .375 ^{+0.002} / _{+0.000} | .125 ^{+0.000} / _{-0.002} | .374 ^{+0.000} / _{-0.001} | .375 ^{+0.002} / _{+0.000} | \$3.92 |
| U12-0.14 | 9/64 | 25/64 | 1/8 | .138 ^{+0.015} / _{+0.000} | .140 ^{+0.000} / _{-0.001} | .142 ^{+0.002} / _{+0.000} | .391 ^{+0.002} / _{+0.000} | .140 ^{+0.000} / _{-0.002} | .390 ^{+0.000} / _{-0.001} | .391 ^{+0.002} / _{+0.000} | 3.92 |
| U12-0.18 | 3/16 | 7/16 | 1/8 | .138 ^{+0.015} / _{+0.000} | .187 ^{+0.000} / _{-0.001} | .189 ^{+0.002} / _{+0.000} | .438 ^{+0.002} / _{+0.000} | .187 ^{+0.000} / _{-0.002} | .436 ^{+0.000} / _{-0.001} | .438 ^{+0.002} / _{+0.000} | 3.92 |
| U12-0.18-SQB | 3/16 | 7/16 | 1/8 | .138 ^{+0.015} / _{+0.000} | .187 ^{+0.000} / _{-0.001} | .189 ^{+0.002} / _{+0.000} | .438 ^{+0.002} / _{+0.000} | .187 ^{+0.000} / _{-0.002} | .436 ^{+0.000} / _{-0.001} | .438 ^{+0.002} / _{+0.000} | 3.92 |
| U12-0.18-25B | 3/16 | 7/16 | 1/4 | .275 ^{+0.015} / _{+0.000} | .187 ^{+0.000} / _{-0.001} | .189 ^{+0.002} / _{+0.000} | .438 ^{+0.002} / _{+0.000} | .187 ^{+0.000} / _{-0.002} | .436 ^{+0.000} / _{-0.001} | .438 ^{+0.002} / _{+0.000} | 4.05 |
| U12-0.25 | 1/4 | 1/2 | 1/8 | .138 ^{+0.015} / _{+0.000} | .250 ^{+0.000} / _{-0.001} | .251 ^{+0.002} / _{+0.000} | .500 ^{+0.002} / _{+0.000} | .250 ^{+0.000} / _{-0.002} | .499 ^{+0.000} / _{-0.001} | .500 ^{+0.002} / _{+0.000} | 4.08 |
| U12-0.25-SQB | 1/4 | 1/2 | 1/8 | .138 ^{+0.015} / _{+0.000} | .250 ^{+0.000} / _{-0.001} | .251 ^{+0.002} / _{+0.000} | .500 ^{+0.002} / _{+0.000} | .250 ^{+0.000} / _{-0.002} | .499 ^{+0.000} / _{-0.001} | .500 ^{+0.002} / _{+0.000} | 3.92 |
| U12-0.25-25B | 1/4 | 1/2 | 1/4 | .275 ^{+0.015} / _{+0.000} | .250 ^{+0.000} / _{-0.001} | .251 ^{+0.002} / _{+0.000} | .500 ^{+0.002} / _{+0.000} | .250 ^{+0.000} / _{-0.002} | .499 ^{+0.000} / _{-0.001} | .500 ^{+0.002} / _{+0.000} | 4.16 |

NORTH AMERICA
PHONE 1-800-777-5617
FAX 1-800-759-6391

SALES OFFICE HOURS
8 A.M. TO 7:30 P.M. EASTERN TIME
www.HerculesUS.com

WORLDWIDE
PHONE 1-727-796-1300
FAX 1-727-797-8849



STYLE 800 POLYURETHANE U-SEALS

| Part Number | A Nom. ID | B Nom. OD | C Nom. Ht | D GROOVE WIDTH | E ROD DIAMETER | F THROAT DIAMETER | G HOUSING DIAMETER | H GROOVE DIAMETER | I PISTON DIAMETER | J BORE DIAMETER | List Price |
|--------------|-----------|-----------|-----------|---------------------|---------------------|---------------------|----------------------|---------------------|----------------------|----------------------|------------|
| U12-0.28-25B | 9/32 | 17/32 | 1/4 | .275 +.015 +.000 | .281 +.000 -.001 | .282 +.002 +.000 | .532 +.002 +.000 | .281 +.000 -.002 | .530 +.000 -.001 | .532 +.002 +.000 | 4.38 |
| U12-0.31 | 5/16 | 9/16 | 1/8 | .138 +.015 +.000 | .312 +.000 -.001 | .313 +.002 +.000 | .563 +.002 +.000 | .312 +.000 -.002 | .562 +.000 -.001 | .563 +.002 +.000 | 4.23 |
| U12-0.31-SQB | 5/16 | 9/16 | 1/8 | .138 +.015 +.000 | .312 +.000 -.001 | .313 +.002 +.000 | .563 +.002 +.000 | .312 +.000 -.002 | .562 +.000 -.001 | .563 +.002 +.000 | 3.92 |
| U12-0.31-25B | 5/16 | 9/16 | 1/4 | .275 +.015 +.000 | .312 +.000 -.001 | .313 +.002 +.000 | .563 +.002 +.000 | .312 +.000 -.002 | .562 +.000 -.001 | .563 +.002 +.000 | 4.43 |
| U12-0.37 | 3/8 | 5/8 | 1/8 | .138 +.015 +.000 | .375 +.000 -.001 | .376 +.002 +.000 | .625 +.002 +.000 | .375 +.000 -.002 | .624 +.000 -.001 | .625 +.002 +.000 | 4.38 |
| U12-0.37-SQB | 3/8 | 5/8 | 1/8 | .138 +.015 +.000 | .375 +.000 -.001 | .376 +.002 +.000 | .625 +.002 +.000 | .375 +.000 -.002 | .624 +.000 -.001 | .625 +.002 +.000 | 3.92 |
| U12-0.37-25B | 3/8 | 5/8 | 1/4 | .275 +.015 +.000 | .375 +.000 -.001 | .376 +.002 +.000 | .625 +.002 +.000 | .375 +.000 -.002 | .624 +.000 -.001 | .625 +.002 +.000 | 4.44 |
| U12-0.43 | 7/16 | 11/16 | 1/8 | .138 +.015 +.000 | .437 +.000 -.001 | .439 +.002 +.000 | .688 +.002 +.000 | .437 +.000 -.002 | .687 +.000 -.001 | .688 +.002 +.000 | 4.38 |
| U12-0.43-SQB | 7/16 | 11/16 | 1/8 | .138 +.015 +.000 | .437 +.000 -.001 | .439 +.002 +.000 | .688 +.002 +.000 | .437 +.000 -.002 | .687 +.000 -.001 | .688 +.002 +.000 | 3.92 |
| U12-0.43-25B | 7/16 | 11/16 | 1/4 | .275 +.015 +.000 | .437 +.000 -.001 | .439 +.002 +.000 | .688 +.002 +.000 | .437 +.000 -.002 | .687 +.000 -.001 | .688 +.002 +.000 | 4.45 |
| U12-0.50 | 1/2 | 3/4 | 1/8 | .138 +.015 +.000 | .500 +.000 -.001 | .501 +.002 +.000 | .750 +.002 +.000 | .500 +.000 -.002 | .749 +.000 -.001 | .750 +.002 +.000 | 3.92 |
| U12-0.50-SQB | 1/2 | 3/4 | 1/8 | .138 +.015 +.000 | .500 +.000 -.001 | .501 +.002 +.000 | .750 +.002 +.000 | .500 +.000 -.002 | .749 +.000 -.001 | .750 +.002 +.000 | 3.92 |
| U12-0.50-25B | 1/2 | 3/4 | 1/4 | .275 +.015 +.000 | .500 +.000 -.001 | .501 +.002 +.000 | .750 +.002 +.000 | .500 +.000 -.002 | .749 +.000 -.001 | .750 +.002 +.000 | 4.57 |
| U12-0.56 | 9/16 | 13/16 | 1/8 | .138 +.015 +.000 | .562 +.000 -.001 | .564 +.002 +.000 | .813 +.002 +.000 | .562 +.000 -.002 | .812 +.000 -.001 | .813 +.002 +.000 | 4.63 |
| U12-0.56-SQB | 9/16 | 13/16 | 1/8 | .138 +.015 +.000 | .562 +.000 -.001 | .564 +.002 +.000 | .813 +.002 +.000 | .562 +.000 -.002 | .812 +.000 -.001 | .813 +.002 +.000 | 3.96 |
| U12-0.56-25B | 9/16 | 13/16 | 1/4 | .275 +.015 +.000 | .562 +.000 -.001 | .564 +.002 +.000 | .813 +.002 +.000 | .562 +.000 -.002 | .812 +.000 -.001 | .813 +.002 +.000 | 5.26 |
| U12-0.62 | 5/8 | 7/8 | 1/8 | .138 +.015 +.000 | .625 +.000 -.001 | .626 +.002 +.000 | .875 +.002 +.000 | .625 +.000 -.002 | .874 +.000 -.001 | .875 +.002 +.000 | 4.03 |
| U12-0.62-SQB | 5/8 | 7/8 | 1/8 | .138 +.015 +.000 | .625 +.000 -.001 | .626 +.002 +.000 | .875 +.002 +.000 | .625 +.000 -.002 | .874 +.000 -.001 | .875 +.002 +.000 | 4.03 |
| U12-0.62-25B | 5/8 | 7/8 | 1/4 | .275 +.015 +.000 | .625 +.000 -.001 | .626 +.002 +.000 | .875 +.002 +.000 | .625 +.000 -.002 | .874 +.000 -.001 | .875 +.002 +.000 | 4.74 |
| U12-0.62-25D | 5/8 | 7/8 | 1/4 | .275 +.015 +.000 | .625 +.000 -.001 | .626 +.002 +.000 | .875 +.002 +.000 | .625 +.000 -.002 | .874 +.000 -.001 | .875 +.002 +.000 | 5.26 |
| U12-0.68 | 11/16 | 15/16 | 1/8 | .138 +.015 +.000 | .687 +.000 -.001 | .689 +.002 +.000 | .938 +.002 +.000 | .687 +.000 -.002 | .937 +.000 -.001 | .938 +.002 +.000 | 4.26 |
| U12-0.68-SQB | 11/16 | 15/16 | 1/8 | .138 +.015 +.000 | .687 +.000 -.001 | .689 +.002 +.000 | .938 +.002 +.000 | .687 +.000 -.002 | .937 +.000 -.001 | .938 +.002 +.000 | 4.26 |
| U12-0.68-25B | 11/16 | 15/16 | 1/4 | .275 +.015 +.000 | .687 +.000 -.001 | .689 +.002 +.000 | .938 +.002 +.000 | .687 +.000 -.002 | .937 +.000 -.001 | .938 +.002 +.000 | 4.78 |
| U12-0.75 | 3/4 | 1 | 1/8 | .138 +.015 +.000 | .750 +.000 -.001 | .751 +.002 +.000 | 1.000 +.002 +.000 | .750 +.000 -.002 | .999 +.000 -.001 | 1.000 +.002 +.000 | 4.16 |
| U12-0.75-SQB | 3/4 | 1 | 1/8 | .138 +.015 +.000 | .750 +.000 -.001 | .751 +.002 +.000 | 1.000 +.002 +.000 | .750 +.000 -.002 | .999 +.000 -.001 | 1.000 +.002 +.000 | 4.16 |
| U12-0.75-18B | 3/4 | 1 | 3/16 | .206 +.015 +.000 | .750 +.000 -.001 | .751 +.002 +.000 | 1.000 +.002 +.000 | .750 +.000 -.002 | .999 +.000 -.001 | 1.000 +.002 +.000 | 4.57 |
| U12-0.75-25B | 3/4 | 1 | 1/4 | .275 +.015 +.000 | .750 +.000 -.001 | .751 +.002 +.000 | 1.000 +.002 +.000 | .750 +.000 -.002 | .999 +.000 -.001 | 1.000 +.002 +.000 | 4.90 |
| U12-0.75-25D | 3/4 | 1 | 1/4 | .275 +.015 +.000 | .750 +.000 -.001 | .751 +.002 +.000 | 1.000 +.002 +.000 | .750 +.000 -.002 | .999 +.000 -.001 | 1.000 +.002 +.000 | 4.90 |
| U12-0.81 | 13/16 | 1-1/16 | 1/8 | .138 +.015 +.000 | .812 +.000 -.001 | .814 +.002 +.000 | 1.063 +.002 +.000 | .812 +.000 -.002 | 1.061 +.000 -.001 | 1.063 +.002 +.000 | 4.32 |
| U12-0.81-SQB | 13/16 | 1-1/16 | 1/8 | .138 +.015 +.000 | .812 +.000 -.001 | .814 +.002 +.000 | 1.063 +.002 +.000 | .812 +.000 -.002 | 1.062 +.000 -.001 | 1.063 +.002 +.000 | 4.32 |
| U12-0.81-25B | 13/16 | 1-1/16 | 1/4 | .275 +.015 +.000 | .812 +.000 -.001 | .814 +.002 +.000 | 1.063 +.002 +.000 | .812 +.000 -.002 | 1.061 +.000 -.001 | 1.063 +.002 +.000 | 4.98 |
| U12-0.87 | 7/8 | 1-1/8 | 1/8 | .138 +.015 +.000 | .875 +.000 -.001 | .876 +.002 +.000 | 1.125 +.002 +.000 | .875 +.000 -.002 | 1.124 +.000 -.001 | 1.125 +.002 +.000 | 4.32 |
| U12-0.87-SQB | 7/8 | 1-1/8 | 1/8 | .138 +.015 +.000 | .875 +.000 -.001 | .876 +.002 +.000 | 1.125 +.002 +.000 | .875 +.000 -.002 | 1.124 +.000 -.001 | 1.125 +.002 +.000 | 4.32 |

U-SEALS

FORMERLY LISTED SEALS ARE AVAILABLE ONLINE AT WWW.HERCULESUS.COM
OR BY CONTACTING YOUR REGIONAL HERCULES SALES TEAM.



STYLE 800 POLYURETHANE U-SEALS

U-SEALS

| Part Number | A Nom. ID | B Nom. OD | C Nom. Ht | D GROOVE WIDTH | E ROD DIAMETER | F THROAT DIAMETER | G HOUSING DIAMETER | H GROOVE DIAMETER | I PISTON DIAMETER | J BORE DIAMETER | List Price |
|--------------|-----------|-----------|-----------|--|--|---|---|--|--|---|------------|
| U12-0.87-25B | 7/8 | 1-1/8 | 1/4 | .275 ^{+0.015} / _{+0.000} | .875 ^{+0.000} / _{-.001} | .876 ^{+0.002} / _{+0.000} | 1.125 ^{+0.002} / _{+0.000} | .875 ^{+0.000} / _{-.002} | 1.124 ^{+0.000} / _{-.001} | 1.125 ^{+0.002} / _{+0.000} | 5.08 |
| U12-0.87-25D | 7/8 | 1-1/8 | 1/4 | .275 ^{+0.015} / _{+0.000} | .875 ^{+0.000} / _{-.001} | .876 ^{+0.002} / _{+0.000} | 1.125 ^{+0.002} / _{+0.000} | .875 ^{+0.000} / _{-.002} | 1.124 ^{+0.000} / _{-.001} | 1.125 ^{+0.002} / _{+0.000} | 5.94 |
| U12-0.93 | 15/16 | 1-3/16 | 1/8 | .138 ^{+0.015} / _{+0.000} | .937 ^{+0.000} / _{-.001} | .939 ^{+0.002} / _{+0.000} | 1.188 ^{+0.002} / _{+0.000} | .937 ^{+0.000} / _{-.002} | 1.187 ^{+0.000} / _{-.001} | 1.188 ^{+0.002} / _{+0.000} | 4.45 |
| U12-0.93-25B | 15/16 | 1-3/16 | 1/4 | .275 ^{+0.015} / _{+0.000} | .937 ^{+0.000} / _{-.001} | .939 ^{+0.002} / _{+0.000} | 1.188 ^{+0.002} / _{+0.000} | .937 ^{+0.000} / _{-.002} | 1.187 ^{+0.000} / _{-.001} | 1.188 ^{+0.002} / _{+0.000} | 5.26 |
| U12-1.00 | 1 | 1-1/4 | 1/8 | .138 ^{+0.015} / _{+0.000} | 1.000 ^{+0.000} / _{-.001} | 1.001 ^{+0.002} / _{+0.000} | 1.250 ^{+0.002} / _{+0.000} | 1.000 ^{+0.000} / _{-.002} | 1.249 ^{+0.000} / _{-.001} | 1.250 ^{+0.002} / _{+0.000} | 4.45 |
| U12-1.00-SQB | 1 | 1-1/4 | 1/8 | .138 ^{+0.015} / _{+0.000} | 1.000 ^{+0.000} / _{-.001} | 1.001 ^{+0.002} / _{+0.000} | 1.250 ^{+0.002} / _{+0.000} | 1.000 ^{+0.000} / _{-.002} | 1.249 ^{+0.000} / _{-.001} | 1.250 ^{+0.002} / _{+0.000} | 4.57 |
| U12-1.00-18B | 1 | 1-1/4 | 3/16 | .206 ^{+0.015} / _{+0.000} | 1.000 ^{+0.000} / _{-.001} | 1.001 ^{+0.002} / _{+0.000} | 1.250 ^{+0.002} / _{+0.000} | 1.000 ^{+0.000} / _{-.002} | 1.249 ^{+0.000} / _{-.001} | 1.250 ^{+0.002} / _{+0.000} | 6.77 |
| U12-1.00-25B | 1 | 1-1/4 | 1/4 | .275 ^{+0.015} / _{+0.000} | 1.000 ^{+0.000} / _{-.001} | 1.001 ^{+0.002} / _{+0.000} | 1.250 ^{+0.002} / _{+0.000} | 1.000 ^{+0.000} / _{-.002} | 1.249 ^{+0.000} / _{-.001} | 1.250 ^{+0.002} / _{+0.000} | 5.29 |
| U12-1.00-25D | 1 | 1-1/4 | 1/4 | .275 ^{+0.015} / _{+0.000} | 1.000 ^{+0.000} / _{-.001} | 1.001 ^{+0.002} / _{+0.000} | 1.250 ^{+0.002} / _{+0.000} | 1.000 ^{+0.000} / _{-.002} | 1.249 ^{+0.000} / _{-.001} | 1.250 ^{+0.002} / _{+0.000} | 5.29 |
| U12-1.06-SQB | 1-1/16 | 1-5/16 | 1/8 | .138 ^{+0.015} / _{+0.000} | 1.062 ^{+0.000} / _{-.001} | 1.063 ^{+0.002} / _{+0.000} | 1.313 ^{+0.002} / _{+0.000} | 1.062 ^{+0.000} / _{-.002} | 1.311 ^{+0.000} / _{-.001} | 1.313 ^{+0.002} / _{+0.000} | 4.67 |
| U12-1.06-25B | 1-1/16 | 1-5/16 | 1/4 | .275 ^{+0.015} / _{+0.000} | 1.062 ^{+0.000} / _{-.001} | 1.063 ^{+0.002} / _{+0.000} | 1.313 ^{+0.002} / _{+0.000} | 1.062 ^{+0.000} / _{-.002} | 1.311 ^{+0.000} / _{-.001} | 1.313 ^{+0.002} / _{+0.000} | 5.37 |
| U12-1.12 | 1-1/8 | 1-3/8 | 1/8 | .138 ^{+0.015} / _{+0.000} | 1.125 ^{+0.000} / _{-.001} | 1.126 ^{+0.002} / _{+0.000} | 1.375 ^{+0.002} / _{+0.000} | 1.125 ^{+0.000} / _{-.002} | 1.374 ^{+0.000} / _{-.001} | 1.375 ^{+0.002} / _{+0.000} | 4.75 |
| U12-1.12-SQB | 1-1/8 | 1-3/8 | 1/8 | .138 ^{+0.015} / _{+0.000} | 1.125 ^{+0.000} / _{-.001} | 1.126 ^{+0.002} / _{+0.000} | 1.375 ^{+0.002} / _{+0.000} | 1.125 ^{+0.000} / _{-.002} | 1.374 ^{+0.000} / _{-.001} | 1.375 ^{+0.002} / _{+0.000} | 4.75 |
| U12-1.12-18D | 1-1/8 | 1-3/8 | 3/16 | .206 ^{+0.015} / _{+0.000} | 1.125 ^{+0.000} / _{-.001} | 1.126 ^{+0.002} / _{+0.000} | 1.375 ^{+0.002} / _{+0.000} | 1.125 ^{+0.000} / _{-.002} | 1.374 ^{+0.000} / _{-.001} | 1.375 ^{+0.002} / _{+0.000} | 8.06 |
| U12-1.12-25B | 1-1/8 | 1-3/8 | 1/4 | .275 ^{+0.015} / _{+0.000} | 1.125 ^{+0.000} / _{-.001} | 1.126 ^{+0.002} / _{+0.000} | 1.375 ^{+0.002} / _{+0.000} | 1.125 ^{+0.000} / _{-.002} | 1.374 ^{+0.000} / _{-.001} | 1.375 ^{+0.002} / _{+0.000} | 5.51 |
| U12-1.12-25D | 1-1/8 | 1-3/8 | 1/4 | .275 ^{+0.015} / _{+0.000} | 1.125 ^{+0.000} / _{-.001} | 1.126 ^{+0.002} / _{+0.000} | 1.375 ^{+0.002} / _{+0.000} | 1.125 ^{+0.000} / _{-.002} | 1.374 ^{+0.000} / _{-.001} | 1.375 ^{+0.002} / _{+0.000} | 5.51 |
| U12-1.18 | 1-3/16 | 1-7/16 | 1/8 | .138 ^{+0.015} / _{+0.000} | 1.187 ^{+0.000} / _{-.001} | 1.189 ^{+0.002} / _{+0.000} | 1.438 ^{+0.002} / _{+0.000} | 1.187 ^{+0.000} / _{-.002} | 1.436 ^{+0.000} / _{-.001} | 1.438 ^{+0.002} / _{+0.000} | 4.78 |
| U12-1.18-18B | 1-3/16 | 1-7/16 | 3/16 | .206 ^{+0.015} / _{+0.000} | 1.187 ^{+0.000} / _{-.001} | 1.189 ^{+0.002} / _{+0.000} | 1.438 ^{+0.002} / _{+0.000} | 1.187 ^{+0.000} / _{-.002} | 1.436 ^{+0.000} / _{-.001} | 1.438 ^{+0.002} / _{+0.000} | 5.82 |
| U12-1.18-25B | 1-3/16 | 1-7/16 | 1/4 | .275 ^{+0.015} / _{+0.000} | 1.187 ^{+0.000} / _{-.001} | 1.189 ^{+0.002} / _{+0.000} | 1.438 ^{+0.002} / _{+0.000} | 1.187 ^{+0.000} / _{-.002} | 1.436 ^{+0.000} / _{-.001} | 1.438 ^{+0.002} / _{+0.000} | 5.82 |
| U12-1.25 | 1-1/4 | 1-1/2 | 1/8 | .138 ^{+0.015} / _{+0.000} | 1.250 ^{+0.000} / _{-.001} | 1.251 ^{+0.002} / _{+0.000} | 1.500 ^{+0.002} / _{+0.000} | 1.250 ^{+0.000} / _{-.002} | 1.499 ^{+0.000} / _{-.001} | 1.500 ^{+0.002} / _{+0.000} | 4.93 |
| U12-1.25-SQB | 1-1/4 | 1-1/2 | 1/8 | .138 ^{+0.015} / _{+0.000} | 1.250 ^{+0.000} / _{-.001} | 1.251 ^{+0.002} / _{+0.000} | 1.500 ^{+0.002} / _{+0.000} | 1.250 ^{+0.000} / _{-.002} | 1.499 ^{+0.000} / _{-.001} | 1.500 ^{+0.002} / _{+0.000} | 4.93 |
| U12-1.25-18B | 1-1/4 | 1-1/2 | 3/16 | .206 ^{+0.015} / _{+0.000} | 1.250 ^{+0.000} / _{-.001} | 1.251 ^{+0.002} / _{+0.000} | 1.500 ^{+0.002} / _{+0.000} | 1.250 ^{+0.000} / _{-.002} | 1.499 ^{+0.000} / _{-.001} | 1.500 ^{+0.002} / _{+0.000} | 5.94 |
| U12-1.25-25B | 1-1/4 | 1-1/2 | 1/4 | .275 ^{+0.015} / _{+0.000} | 1.250 ^{+0.000} / _{-.001} | 1.251 ^{+0.002} / _{+0.000} | 1.500 ^{+0.002} / _{+0.000} | 1.250 ^{+0.000} / _{-.002} | 1.499 ^{+0.000} / _{-.001} | 1.500 ^{+0.002} / _{+0.000} | 5.94 |
| U12-1.25-25D | 1-1/4 | 1-1/2 | 1/4 | .275 ^{+0.015} / _{+0.000} | 1.250 ^{+0.000} / _{-.001} | 1.251 ^{+0.002} / _{+0.000} | 1.500 ^{+0.002} / _{+0.000} | 1.250 ^{+0.000} / _{-.002} | 1.499 ^{+0.000} / _{-.001} | 1.500 ^{+0.002} / _{+0.000} | 5.94 |
| U12-1.31 | 1-5/16 | 1-9/16 | 1/8 | .138 ^{+0.015} / _{+0.000} | 1.312 ^{+0.000} / _{-.001} | 1.313 ^{+0.002} / _{+0.000} | 1.563 ^{+0.002} / _{+0.000} | 1.312 ^{+0.000} / _{-.002} | 1.561 ^{+0.000} / _{-.001} | 1.563 ^{+0.002} / _{+0.000} | 5.24 |
| U12-1.31-SQB | 1-5/16 | 1-9/16 | 1/8 | .138 ^{+0.015} / _{+0.000} | 1.312 ^{+0.000} / _{-.001} | 1.313 ^{+0.002} / _{+0.000} | 1.563 ^{+0.002} / _{+0.000} | 1.312 ^{+0.000} / _{-.002} | 1.561 ^{+0.000} / _{-.001} | 1.563 ^{+0.002} / _{+0.000} | 5.24 |
| U12-1.31-18B | 1-5/16 | 1-9/16 | 3/16 | .206 ^{+0.015} / _{+0.000} | 1.312 ^{+0.000} / _{-.001} | 1.313 ^{+0.002} / _{+0.000} | 1.563 ^{+0.002} / _{+0.000} | 1.312 ^{+0.000} / _{-.002} | 1.561 ^{+0.000} / _{-.001} | 1.563 ^{+0.002} / _{+0.000} | 5.91 |
| U12-1.37-SQB | 1-3/8 | 1-5/8 | 1/8 | .138 ^{+0.015} / _{+0.000} | 1.375 ^{+0.000} / _{-.001} | 1.376 ^{+0.002} / _{+0.000} | 1.625 ^{+0.002} / _{+0.000} | 1.375 ^{+0.000} / _{-.002} | 1.624 ^{+0.000} / _{-.001} | 1.625 ^{+0.002} / _{+0.000} | 5.26 |
| U12-1.37-18D | 1-3/8 | 1-5/8 | 3/16 | .206 ^{+0.015} / _{+0.000} | 1.375 ^{+0.000} / _{-.001} | 1.376 ^{+0.002} / _{+0.000} | 1.625 ^{+0.002} / _{+0.000} | 1.375 ^{+0.000} / _{-.002} | 1.624 ^{+0.000} / _{-.001} | 1.625 ^{+0.002} / _{+0.000} | 5.91 |
| U12-1.37-25B | 1-3/8 | 1-5/8 | 1/4 | .275 ^{+0.015} / _{+0.000} | 1.375 ^{+0.000} / _{-.001} | 1.376 ^{+0.002} / _{+0.000} | 1.625 ^{+0.002} / _{+0.000} | 1.375 ^{+0.000} / _{-.002} | 1.624 ^{+0.000} / _{-.001} | 1.625 ^{+0.002} / _{+0.000} | 5.91 |
| U12-1.43-SQB | 1-7/16 | 1-11/16 | 1/8 | .138 ^{+0.015} / _{+0.000} | 1.437 ^{+0.000} / _{-.001} | 1.439 ^{+0.002} / _{+0.000} | 1.688 ^{+0.002} / _{+0.000} | 1.437 ^{+0.000} / _{-.002} | 1.686 ^{+0.000} / _{-.001} | 1.688 ^{+0.002} / _{+0.000} | 6.14 |
| U12-1.43-25B | 1-7/16 | 1-11/16 | 1/4 | .275 ^{+0.015} / _{+0.000} | 1.437 ^{+0.000} / _{-.001} | 1.439 ^{+0.002} / _{+0.000} | 1.688 ^{+0.002} / _{+0.000} | 1.437 ^{+0.000} / _{-.002} | 1.686 ^{+0.000} / _{-.001} | 1.688 ^{+0.002} / _{+0.000} | 6.07 |
| U12-1.50 | 1-1/2 | 1-3/4 | 1/8 | .138 ^{+0.015} / _{+0.000} | 1.500 ^{+0.000} / _{-.001} | 1.501 ^{+0.002} / _{+0.000} | 1.750 ^{+0.002} / _{+0.000} | 1.500 ^{+0.000} / _{-.002} | 1.749 ^{+0.000} / _{-.001} | 1.750 ^{+0.002} / _{+0.000} | 5.29 |

NORTH AMERICA
PHONE 1-800-777-5617
FAX 1-800-759-6391

SALES OFFICE HOURS
8 A.M. TO 7:30 P.M. EASTERN TIME
www.HerculesUS.com

WORLDWIDE
PHONE 1-727-796-1300
FAX 1-727-797-8849



STYLE 800 POLYURETHANE U-SEALS

| Part Number | A Nom. ID | B Nom. OD | C Nom. Ht | D GROOVE WIDTH | E ROD DIAMETER | F THROAT DIAMETER | G HOUSING DIAMETER | H GROOVE DIAMETER | I PISTON DIAMETER | J BORE DIAMETER | List Price |
|--------------|-----------|-----------|-----------|-------------------|--------------------|--------------------|--------------------|--------------------|--------------------|--------------------|------------|
| U12-1.50-SQB | 1-1/2 | 1-3/4 | 1/8 | .138 +.015/-0.000 | 1.500 +.000/-0.001 | 1.501 +.002/+0.000 | 1.750 +.002/+0.000 | 1.500 +.000/-0.002 | 1.749 +.000/-0.001 | 1.750 +.002/+0.000 | 5.29 |
| U12-1.50-18B | 1-1/2 | 1-3/4 | 3/16 | .206 +.015/+0.000 | 1.500 +.000/-0.001 | 1.501 +.002/+0.000 | 1.750 +.002/+0.000 | 1.500 +.000/-0.002 | 1.749 +.000/-0.001 | 1.750 +.002/+0.000 | 6.33 |
| U12-1.50-25B | 1-1/2 | 1-3/4 | 1/4 | .275 +.015/+0.000 | 1.500 +.000/-0.001 | 1.501 +.002/+0.000 | 1.750 +.002/+0.000 | 1.500 +.000/-0.002 | 1.749 +.000/-0.001 | 1.750 +.002/+0.000 | 6.20 |
| U12-1.56 | 1-9/16 | 1-13/16 | 1/8 | .138 +.015/+0.000 | 1.562 +.000/-0.001 | 1.564 +.002/+0.000 | 1.813 +.002/+0.000 | 1.562 +.000/-0.002 | 1.811 +.000/-0.001 | 1.813 +.002/+0.000 | 5.49 |
| U12-1.62 | 1-5/8 | 1-7/8 | 1/8 | .138 +.015/+0.000 | 1.625 +.000/-0.001 | 1.626 +.002/+0.000 | 1.875 +.002/+0.000 | 1.625 +.000/-0.002 | 1.874 +.000/-0.001 | 1.875 +.002/+0.000 | 5.75 |
| U12-1.62-SQB | 1-5/8 | 1-7/8 | 1/8 | .138 +.015/+0.000 | 1.625 +.000/-0.001 | 1.626 +.002/+0.000 | 1.875 +.002/+0.000 | 1.625 +.000/-0.002 | 1.874 +.000/-0.001 | 1.875 +.002/+0.000 | 5.75 |
| U12-1.68 | 1-11/16 | 1-15/16 | 1/8 | .138 +.015/+0.000 | 1.687 +.000/-0.001 | 1.689 +.002/+0.000 | 1.938 +.002/+0.000 | 1.687 +.000/-0.002 | 1.936 +.000/-0.001 | 1.938 +.002/+0.000 | 5.81 |
| U12-1.75 | 1-3/4 | 2 | 1/8 | .138 +.015/+0.000 | 1.750 +.000/-0.001 | 1.751 +.002/+0.000 | 2.000 +.002/+0.000 | 1.750 +.000/-0.002 | 1.999 +.000/-0.001 | 2.000 +.002/+0.000 | 5.65 |
| U12-1.75-SQB | 1-3/4 | 2 | 1/8 | .138 +.015/+0.000 | 1.750 +.000/-0.001 | 1.751 +.002/+0.000 | 2.000 +.002/+0.000 | 1.750 +.000/-0.002 | 1.999 +.000/-0.001 | 2.000 +.002/+0.000 | 5.65 |
| U12-1.75-25B | 1-3/4 | 2 | 1/4 | .275 +.015/+0.000 | 1.750 +.000/-0.001 | 1.751 +.002/+0.000 | 2.000 +.002/+0.000 | 1.750 +.000/-0.002 | 1.999 +.000/-0.001 | 2.000 +.002/+0.000 | 6.77 |
| U12-1.75-25D | 1-3/4 | 2 | 1/4 | .275 +.015/+0.000 | 1.750 +.000/-0.001 | 1.751 +.002/+0.000 | 2.000 +.002/+0.000 | 1.750 +.000/-0.002 | 1.999 +.000/-0.001 | 2.000 +.002/+0.000 | 6.77 |
| U12-1.87 | 1-7/8 | 2-1/8 | 1/8 | .138 +.015/+0.000 | 1.875 +.000/-0.001 | 1.876 +.002/+0.000 | 2.125 +.002/+0.000 | 1.875 +.000/-0.002 | 2.124 +.000/-0.001 | 2.125 +.002/+0.000 | 6.03 |
| U12-2.00 | 2 | 2-1/4 | 1/8 | .138 +.015/+0.000 | 2.000 +.000/-0.001 | 2.001 +.002/+0.000 | 2.250 +.002/+0.000 | 2.000 +.000/-0.002 | 2.249 +.000/-0.001 | 2.250 +.002/+0.000 | 6.19 |
| U12-2.00-25D | 2 | 2-1/4 | 1/4 | .275 +.015/+0.000 | 2.000 +.000/-0.001 | 2.001 +.002/+0.000 | 2.250 +.002/+0.000 | 2.000 +.000/-0.002 | 2.249 +.000/-0.001 | 2.250 +.002/+0.000 | 9.89 |
| U12-2.12 | 2-1/8 | 2-3/8 | 1/8 | .138 +.015/+0.000 | 2.125 +.000/-0.001 | 2.126 +.002/+0.000 | 2.375 +.002/+0.000 | 2.125 +.000/-0.002 | 2.374 +.000/-0.001 | 2.375 +.002/+0.000 | 6.33 |
| U12-2.12-25D | 2-1/8 | 2-3/8 | 1/4 | .275 +.015/+0.000 | 2.125 +.000/-0.001 | 2.126 +.002/+0.000 | 2.375 +.002/+0.000 | 2.125 +.000/-0.002 | 2.374 +.000/-0.001 | 2.375 +.002/+0.000 | 9.94 |
| U12-2.25 | 2-1/4 | 2-1/2 | 1/8 | .138 +.015/+0.000 | 2.250 +.000/-0.001 | 2.251 +.002/+0.000 | 2.500 +.002/+0.000 | 2.250 +.000/-0.002 | 2.499 +.000/-0.001 | 2.500 +.002/+0.000 | 6.49 |
| U12-2.25-37D | 2-1/4 | 2-1/2 | 3/8 | .413 +.015/+0.000 | 2.250 +.000/-0.001 | 2.251 +.002/+0.000 | 2.500 +.002/+0.000 | 2.250 +.000/-0.002 | 2.499 +.000/-0.001 | 2.500 +.002/+0.000 | 8.31 |
| U12-2.37 | 2-3/8 | 2-5/8 | 1/8 | .138 +.015/+0.000 | 2.375 +.000/-0.001 | 2.376 +.002/+0.000 | 2.625 +.002/+0.000 | 2.375 +.000/-0.002 | 2.624 +.000/-0.001 | 2.625 +.002/+0.000 | 6.34 |
| U12-2.37-18B | 2-3/8 | 2-5/8 | 3/16 | .206 +.015/+0.000 | 2.375 +.000/-0.001 | 2.376 +.002/+0.000 | 2.625 +.002/+0.000 | 2.375 +.000/-0.002 | 2.624 +.000/-0.001 | 2.625 +.002/+0.000 | 6.69 |
| U12-2.50 | 2-1/2 | 2-3/4 | 1/8 | .138 +.015/+0.000 | 2.500 +.000/-0.001 | 2.501 +.002/+0.000 | 2.750 +.002/+0.000 | 2.500 +.000/-0.002 | 2.749 +.000/-0.001 | 2.750 +.002/+0.000 | 6.81 |
| U12-2.50-SQB | 2-1/2 | 2-3/4 | 1/8 | .138 +.015/+0.000 | 2.500 +.000/-0.001 | 2.501 +.002/+0.000 | 2.750 +.002/+0.000 | 2.500 +.000/-0.002 | 2.749 +.000/-0.001 | 2.750 +.002/+0.000 | 6.81 |
| U12-2.50-25B | 2-1/2 | 2-3/4 | 1/4 | .275 +.015/+0.000 | 2.500 +.000/-0.001 | 2.501 +.002/+0.000 | 2.750 +.002/+0.000 | 2.500 +.000/-0.002 | 2.749 +.000/-0.001 | 2.750 +.002/+0.000 | 6.73 |
| U12-2.75 | 2-3/4 | 3 | 1/8 | .138 +.015/+0.000 | 2.750 +.000/-0.001 | 2.751 +.002/+0.000 | 3.000 +.002/+0.000 | 2.750 +.000/-0.002 | 2.999 +.000/-0.001 | 3.000 +.002/+0.000 | 7.28 |
| U12-2.75-25B | 2-3/4 | 3 | 1/4 | .275 +.015/+0.000 | 2.750 +.000/-0.001 | 2.751 +.002/+0.000 | 3.000 +.002/+0.000 | 2.750 +.000/-0.002 | 2.999 +.000/-0.001 | 3.000 +.002/+0.000 | 8.24 |
| U12-2.75-37B | 2-3/4 | 3 | 3/8 | .413 +.015/+0.000 | 2.750 +.000/-0.001 | 2.751 +.002/+0.000 | 3.000 +.002/+0.000 | 2.750 +.000/-0.002 | 2.999 +.000/-0.001 | 3.000 +.002/+0.000 | 8.52 |
| U12-2.87 | 2-7/8 | 3-1/8 | 1/8 | .138 +.015/+0.000 | 2.875 +.000/-0.001 | 2.876 +.002/+0.000 | 3.125 +.002/+0.000 | 2.875 +.000/-0.002 | 3.124 +.000/-0.001 | 3.125 +.002/+0.000 | 8.24 |
| U12-3.00 | 3 | 3-1/4 | 1/8 | .138 +.015/+0.000 | 3.000 +.000/-0.001 | 3.001 +.002/+0.000 | 3.250 +.002/+0.000 | 3.000 +.000/-0.002 | 3.249 +.000/-0.001 | 3.250 +.002/+0.000 | 7.74 |
| U12-3.12 | 3-1/8 | 3-3/8 | 1/8 | .138 +.015/+0.000 | 3.125 +.000/-0.001 | 3.126 +.002/+0.000 | 3.375 +.002/+0.000 | 3.125 +.000/-0.002 | 3.374 +.000/-0.001 | 3.375 +.002/+0.000 | 12.93 |
| U12-3.25 | 3-1/4 | 3-1/2 | 1/8 | .138 +.015/+0.000 | 3.250 +.000/-0.001 | 3.251 +.002/+0.000 | 3.500 +.002/+0.000 | 3.250 +.000/-0.002 | 3.499 +.000/-0.001 | 3.500 +.002/+0.000 | 8.11 |
| U12-3.50 | 3-1/2 | 3-3/4 | 1/8 | .138 +.015/+0.000 | 3.500 +.000/-0.001 | 3.501 +.002/+0.000 | 3.750 +.002/+0.000 | 3.500 +.000/-0.002 | 3.749 +.000/-0.001 | 3.750 +.002/+0.000 | 8.88 |
| U12-3.62-18B | 3-5/8 | 3-7/8 | 3/16 | .206 +.015/+0.000 | 3.625 +.000/-0.001 | 3.626 +.002/+0.000 | 3.875 +.002/+0.000 | 3.625 +.000/-0.002 | 3.874 +.000/-0.001 | 3.875 +.002/+0.000 | 10.89 |
| U12-3.75 | 3-3/4 | 4 | 1/8 | .138 +.015/+0.000 | 3.750 +.000/-0.001 | 3.751 +.002/+0.000 | 4.000 +.002/+0.000 | 3.750 +.000/-0.002 | 3.999 +.000/-0.001 | 4.000 +.002/+0.000 | 12.79 |

U-SEALS

FORMERLY LISTED SEALS ARE AVAILABLE ONLINE AT WWW.HERCULESUS.COM OR BY CONTACTING YOUR REGIONAL HERCULES SALES TEAM.



STYLE 800 POLYURETHANE U-SEALS

U-SEALS

| Part Number | A Nom. ID | B Nom. OD | C Nom. Ht | D GROOVE WIDTH | E ROD DIAMETER | F THROAT DIAMETER | G HOUSING DIAMETER | H GROOVE DIAMETER | I PISTON DIAMETER | J BORE DIAMETER | List Price |
|------------------|-----------|-----------|-----------|--|---|---|---|---|---|---|------------|
| U12-4.00 | 4 | 4-1/4 | 1/8 | .138 ⁺⁰¹⁵ / ₊₀₀₀ | 4.000 ⁺⁰⁰⁰ / ₋₀₀₁ | 4.001 ⁺⁰⁰² / ₊₀₀₀ | 4.250 ⁺⁰⁰² / ₊₀₀₀ | 4.000 ⁺⁰⁰⁰ / ₋₀₀₂ | 4.249 ⁺⁰⁰⁰ / ₋₀₀₁ | 4.250 ⁺⁰⁰² / ₊₀₀₀ | 13.21 |
| U12-4.25 | 4-1/4 | 4-1/2 | 1/8 | .138 ⁺⁰¹⁵ / ₊₀₀₀ | 4.250 ⁺⁰⁰⁰ / ₋₀₀₁ | 4.251 ⁺⁰⁰² / ₊₀₀₀ | 4.500 ⁺⁰⁰² / ₊₀₀₀ | 4.250 ⁺⁰⁰⁰ / ₋₀₀₂ | 4.499 ⁺⁰⁰⁰ / ₋₀₀₁ | 4.500 ⁺⁰⁰² / ₊₀₀₀ | 13.27 |
| U12-4.37 | 4-3/8 | 4-5/8 | 1/8 | .138 ⁺⁰¹⁵ / ₊₀₀₀ | 4.375 ⁺⁰⁰⁰ / ₋₀₀₁ | 4.376 ⁺⁰⁰² / ₊₀₀₀ | 4.625 ⁺⁰⁰² / ₊₀₀₀ | 4.375 ⁺⁰⁰⁰ / ₋₀₀₂ | 4.624 ⁺⁰⁰⁰ / ₋₀₀₁ | 4.625 ⁺⁰⁰² / ₊₀₀₀ | 13.43 |
| U12-4.50 | 4-1/2 | 4-3/4 | 1/8 | .138 ⁺⁰¹⁵ / ₊₀₀₀ | 4.500 ⁺⁰⁰⁰ / ₋₀₀₁ | 4.501 ⁺⁰⁰² / ₊₀₀₀ | 4.750 ⁺⁰⁰² / ₊₀₀₀ | 4.500 ⁺⁰⁰⁰ / ₋₀₀₂ | 4.749 ⁺⁰⁰⁰ / ₋₀₀₁ | 4.750 ⁺⁰⁰² / ₊₀₀₀ | 16.79 |
| U12-4.75 | 4-3/4 | 5 | 1/8 | .138 ⁺⁰¹⁵ / ₊₀₀₀ | 4.750 ⁺⁰⁰⁰ / ₋₀₀₁ | 4.751 ⁺⁰⁰² / ₊₀₀₀ | 5.000 ⁺⁰⁰² / ₊₀₀₀ | 4.750 ⁺⁰⁰⁰ / ₋₀₀₂ | 4.999 ⁺⁰⁰⁰ / ₋₀₀₁ | 5.000 ⁺⁰⁰² / ₊₀₀₀ | 17.33 |
| 5/32" C/S | | | | | | | | | | | |
| U15-1.00 | 1 | 1-5/16 | 5/32 | .172 ⁺⁰¹⁵ / ₊₀₀₀ | 1.000 ⁺⁰⁰⁰ / ₋₀₀₂ | 1.001 ⁺⁰⁰² / ₊₀₀₀ | 1.313 ⁺⁰⁰² / ₊₀₀₀ | 1.000 ⁺⁰⁰⁰ / ₋₀₀₂ | 1.311 ⁺⁰⁰⁰ / ₋₀₀₁ | 1.313 ⁺⁰⁰² / ₊₀₀₀ | \$5.30 |
| U15-1.00-SQB | 1 | 1-5/16 | 5/32 | .172 ⁺⁰¹⁵ / ₊₀₀₀ | 1.000 ⁺⁰⁰⁰ / ₋₀₀₂ | 1.001 ⁺⁰⁰² / ₊₀₀₀ | 1.313 ⁺⁰⁰² / ₊₀₀₀ | 1.000 ⁺⁰⁰⁰ / ₋₀₀₂ | 1.311 ⁺⁰⁰⁰ / ₋₀₀₁ | 1.313 ⁺⁰⁰² / ₊₀₀₀ | 6.82 |
| U15-1.00-23B | 1 | 1-5/16 | .23 | .253 ⁺⁰¹⁵ / ₊₀₀₀ | 1.000 ⁺⁰⁰⁰ / ₋₀₀₂ | 1.001 ⁺⁰⁰² / ₊₀₀₀ | 1.313 ⁺⁰⁰² / ₊₀₀₀ | 1.000 ⁺⁰⁰⁰ / ₋₀₀₂ | 1.311 ⁺⁰⁰⁰ / ₋₀₀₁ | 1.313 ⁺⁰⁰² / ₊₀₀₀ | 6.18 |
| U15-1.12 | 1-1/8 | 1-7/16 | 5/32 | .172 ⁺⁰¹⁵ / ₊₀₀₀ | 1.125 ⁺⁰⁰⁰ / ₋₀₀₂ | 1.126 ⁺⁰⁰² / ₊₀₀₀ | 1.438 ⁺⁰⁰² / ₊₀₀₀ | 1.125 ⁺⁰⁰⁰ / ₋₀₀₂ | 1.436 ⁺⁰⁰⁰ / ₋₀₀₁ | 1.438 ⁺⁰⁰² / ₊₀₀₀ | 5.53 |
| U15-1.18 | 1-3/16 | 1-1/2 | 5/32 | .172 ⁺⁰¹⁵ / ₊₀₀₀ | 1.187 ⁺⁰⁰⁰ / ₋₀₀₂ | 1.189 ⁺⁰⁰² / ₊₀₀₀ | 1.500 ⁺⁰⁰² / ₊₀₀₀ | 1.187 ⁺⁰⁰⁰ / ₋₀₀₂ | 1.499 ⁺⁰⁰⁰ / ₋₀₀₁ | 1.500 ⁺⁰⁰² / ₊₀₀₀ | 5.42 |
| U15-1.25 | 1-1/4 | 1-9/16 | 5/32 | .172 ⁺⁰¹⁵ / ₊₀₀₀ | 1.250 ⁺⁰⁰⁰ / ₋₀₀₂ | 1.251 ⁺⁰⁰² / ₊₀₀₀ | 1.563 ⁺⁰⁰² / ₊₀₀₀ | 1.250 ⁺⁰⁰⁰ / ₋₀₀₂ | 1.561 ⁺⁰⁰⁰ / ₋₀₀₁ | 1.563 ⁺⁰⁰² / ₊₀₀₀ | 6.47 |
| U15-1.37 | 1-3/8 | 1-11/16 | 5/32 | .172 ⁺⁰¹⁵ / ₊₀₀₀ | 1.375 ⁺⁰⁰⁰ / ₋₀₀₂ | 1.376 ⁺⁰⁰² / ₊₀₀₀ | 1.688 ⁺⁰⁰² / ₊₀₀₀ | 1.375 ⁺⁰⁰⁰ / ₋₀₀₂ | 1.686 ⁺⁰⁰⁰ / ₋₀₀₁ | 1.688 ⁺⁰⁰² / ₊₀₀₀ | 6.93 |
| U15-1.37-SQB | 1-3/8 | 1-11/16 | 5/32 | .172 ⁺⁰¹⁵ / ₊₀₀₀ | 1.375 ⁺⁰⁰⁰ / ₋₀₀₂ | 1.376 ⁺⁰⁰² / ₊₀₀₀ | 1.688 ⁺⁰⁰² / ₊₀₀₀ | 1.375 ⁺⁰⁰⁰ / ₋₀₀₂ | 1.686 ⁺⁰⁰⁰ / ₋₀₀₁ | 1.688 ⁺⁰⁰² / ₊₀₀₀ | 6.64 |
| U15-1.50-31B | 1-1/2 | 1-13/16 | 5/16 | .344 ⁺⁰¹⁵ / ₊₀₀₀ | 1.500 ⁺⁰⁰⁰ / ₋₀₀₂ | 1.501 ⁺⁰⁰² / ₊₀₀₀ | 1.813 ⁺⁰⁰² / ₊₀₀₀ | 1.500 ⁺⁰⁰⁰ / ₋₀₀₂ | 1.811 ⁺⁰⁰⁰ / ₋₀₀₁ | 1.813 ⁺⁰⁰² / ₊₀₀₀ | 7.38 |
| 3/16" C/S | | | | | | | | | | | |
| U18-0.18-SQB | 3/16 | 9/16 | 3/16 | .207 ⁺⁰¹⁵ / ₊₀₀₀ | .187 ⁺⁰⁰⁰ / ₋₀₀₂ | .189 ⁺⁰⁰² / ₊₀₀₀ | .563 ⁺⁰⁰² / ₊₀₀₀ | .187 ⁺⁰⁰⁰ / ₋₀₀₂ | .562 ⁺⁰⁰⁰ / ₋₀₀₂ | .563 ⁺⁰⁰² / ₊₀₀₀ | \$6.93 |
| U18-0.25-SQB | 1/4 | 5/8 | 3/16 | .207 ⁺⁰¹⁵ / ₊₀₀₀ | .250 ⁺⁰⁰⁰ / ₋₀₀₂ | .251 ⁺⁰⁰² / ₊₀₀₀ | .625 ⁺⁰⁰² / ₊₀₀₀ | .250 ⁺⁰⁰⁰ / ₋₀₀₂ | .624 ⁺⁰⁰⁰ / ₋₀₀₂ | .625 ⁺⁰⁰² / ₊₀₀₀ | 4.10 |
| U18-0.31-SQB | 5/16 | 11/16 | 3/16 | .207 ⁺⁰¹⁵ / ₊₀₀₀ | .312 ⁺⁰⁰⁰ / ₋₀₀₂ | .313 ⁺⁰⁰² / ₊₀₀₀ | .688 ⁺⁰⁰² / ₊₀₀₀ | .312 ⁺⁰⁰⁰ / ₋₀₀₂ | .687 ⁺⁰⁰⁰ / ₋₀₀₂ | .688 ⁺⁰⁰² / ₊₀₀₀ | 4.08 |
| U18-0.37 | 3/8 | 3/4 | 3/16 | .207 ⁺⁰¹⁵ / ₊₀₀₀ | .375 ⁺⁰⁰⁰ / ₋₀₀₂ | .376 ⁺⁰⁰² / ₊₀₀₀ | .750 ⁺⁰⁰² / ₊₀₀₀ | .375 ⁺⁰⁰⁰ / ₋₀₀₂ | .749 ⁺⁰⁰⁰ / ₋₀₀₂ | .750 ⁺⁰⁰² / ₊₀₀₀ | 4.08 |
| U18-0.37-SQB | 3/8 | 3/4 | 3/16 | .207 ⁺⁰¹⁵ / ₊₀₀₀ | .375 ⁺⁰⁰⁰ / ₋₀₀₂ | .376 ⁺⁰⁰² / ₊₀₀₀ | .750 ⁺⁰⁰² / ₊₀₀₀ | .375 ⁺⁰⁰⁰ / ₋₀₀₂ | .749 ⁺⁰⁰⁰ / ₋₀₀₂ | .750 ⁺⁰⁰² / ₊₀₀₀ | 4.08 |
| U18-0.37-31B | 3/8 | 3/4 | 5/16 | .344 ⁺⁰¹⁵ / ₊₀₀₀ | .375 ⁺⁰⁰⁰ / ₋₀₀₂ | .376 ⁺⁰⁰² / ₊₀₀₀ | .750 ⁺⁰⁰² / ₊₀₀₀ | .375 ⁺⁰⁰⁰ / ₋₀₀₂ | .749 ⁺⁰⁰⁰ / ₋₀₀₂ | .750 ⁺⁰⁰² / ₊₀₀₀ | 4.74 |
| U18-0.43 | 7/16 | 13/16 | 3/16 | .207 ⁺⁰¹⁵ / ₊₀₀₀ | .437 ⁺⁰⁰⁰ / ₋₀₀₂ | .439 ⁺⁰⁰² / ₊₀₀₀ | .813 ⁺⁰⁰² / ₊₀₀₀ | .437 ⁺⁰⁰⁰ / ₋₀₀₂ | .812 ⁺⁰⁰⁰ / ₋₀₀₂ | .813 ⁺⁰⁰² / ₊₀₀₀ | 4.28 |
| U18-0.50 | 1/2 | 7/8 | 3/16 | .207 ⁺⁰¹⁵ / ₊₀₀₀ | .500 ⁺⁰⁰⁰ / ₋₀₀₂ | .501 ⁺⁰⁰² / ₊₀₀₀ | .875 ⁺⁰⁰² / ₊₀₀₀ | .500 ⁺⁰⁰⁰ / ₋₀₀₂ | .874 ⁺⁰⁰⁰ / ₋₀₀₂ | .875 ⁺⁰⁰² / ₊₀₀₀ | 4.28 |
| U18-0.50-31B | 1/2 | 7/8 | 5/16 | .344 ⁺⁰¹⁵ / ₊₀₀₀ | .500 ⁺⁰⁰⁰ / ₋₀₀₂ | .501 ⁺⁰⁰² / ₊₀₀₀ | .875 ⁺⁰⁰² / ₊₀₀₀ | .500 ⁺⁰⁰⁰ / ₋₀₀₂ | .874 ⁺⁰⁰⁰ / ₋₀₀₂ | .875 ⁺⁰⁰² / ₊₀₀₀ | 4.15 |
| U18-0.56 | 9/16 | 15/16 | 3/16 | .207 ⁺⁰¹⁵ / ₊₀₀₀ | .562 ⁺⁰⁰⁰ / ₋₀₀₂ | .564 ⁺⁰⁰² / ₊₀₀₀ | .938 ⁺⁰⁰² / ₊₀₀₀ | .562 ⁺⁰⁰⁰ / ₋₀₀₂ | .937 ⁺⁰⁰⁰ / ₋₀₀₂ | .938 ⁺⁰⁰² / ₊₀₀₀ | 8.27 |
| U18-0.62 | 5/8 | 1 | 3/16 | .207 ⁺⁰¹⁵ / ₊₀₀₀ | .625 ⁺⁰⁰⁰ / ₋₀₀₂ | .626 ⁺⁰⁰² / ₊₀₀₀ | 1.000 ⁺⁰⁰² / ₊₀₀₀ | .625 ⁺⁰⁰⁰ / ₋₀₀₂ | .999 ⁺⁰⁰⁰ / ₋₀₀₂ | 1.000 ⁺⁰⁰² / ₊₀₀₀ | 4.32 |
| U18-0.62-SQB | 5/8 | 1 | 3/16 | .207 ⁺⁰¹⁵ / ₊₀₀₀ | .625 ⁺⁰⁰⁰ / ₋₀₀₂ | .626 ⁺⁰⁰² / ₊₀₀₀ | 1.000 ⁺⁰⁰² / ₊₀₀₀ | .625 ⁺⁰⁰⁰ / ₋₀₀₂ | .999 ⁺⁰⁰⁰ / ₋₀₀₂ | 1.000 ⁺⁰⁰² / ₊₀₀₀ | 4.32 |
| U18-0.62-31B | 5/8 | 1 | 5/16 | .344 ⁺⁰¹⁵ / ₊₀₀₀ | .625 ⁺⁰⁰⁰ / ₋₀₀₂ | .626 ⁺⁰⁰² / ₊₀₀₀ | 1.000 ⁺⁰⁰² / ₊₀₀₀ | .625 ⁺⁰⁰⁰ / ₋₀₀₂ | .999 ⁺⁰⁰⁰ / ₋₀₀₂ | 1.000 ⁺⁰⁰² / ₊₀₀₀ | 4.86 |
| U18-0.62-31D | 5/8 | 1 | 5/16 | .344 ⁺⁰¹⁵ / ₊₀₀₀ | .625 ⁺⁰⁰⁰ / ₋₀₀₂ | .626 ⁺⁰⁰² / ₊₀₀₀ | 1.000 ⁺⁰⁰² / ₊₀₀₀ | .625 ⁺⁰⁰⁰ / ₋₀₀₂ | .999 ⁺⁰⁰⁰ / ₋₀₀₂ | 1.000 ⁺⁰⁰² / ₊₀₀₀ | 9.07 |
| U18-0.68 | 11/16 | 1-1/16 | 3/16 | .207 ⁺⁰¹⁵ / ₊₀₀₀ | .687 ⁺⁰⁰⁰ / ₋₀₀₂ | .689 ⁺⁰⁰² / ₊₀₀₀ | 1.063 ⁺⁰⁰² / ₊₀₀₀ | .687 ⁺⁰⁰⁰ / ₋₀₀₂ | 1.061 ⁺⁰⁰⁰ / ₋₀₀₂ | 1.063 ⁺⁰⁰² / ₊₀₀₀ | 4.51 |
| U18-0.75 | 3/4 | 1-1/8 | 3/16 | .207 ⁺⁰¹⁵ / ₊₀₀₀ | .750 ⁺⁰⁰⁰ / ₋₀₀₂ | .751 ⁺⁰⁰² / ₊₀₀₀ | 1.125 ⁺⁰⁰² / ₊₀₀₀ | .750 ⁺⁰⁰⁰ / ₋₀₀₂ | 1.124 ⁺⁰⁰⁰ / ₋₀₀₂ | 1.125 ⁺⁰⁰² / ₊₀₀₀ | 4.60 |
| U18-0.75-SQB | 3/4 | 1-1/8 | 3/16 | .207 ⁺⁰¹⁵ / ₊₀₀₀ | .750 ⁺⁰⁰⁰ / ₋₀₀₂ | .751 ⁺⁰⁰² / ₊₀₀₀ | 1.125 ⁺⁰⁰² / ₊₀₀₀ | .750 ⁺⁰⁰⁰ / ₋₀₀₂ | 1.124 ⁺⁰⁰⁰ / ₋₀₀₂ | 1.125 ⁺⁰⁰² / ₊₀₀₀ | 4.60 |

NORTH AMERICA
PHONE 1-800-777-5617
FAX 1-800-759-6391

SALES OFFICE HOURS
8 A.M. TO 7:30 P.M. EASTERN TIME
www.HerculesUS.com

WORLDWIDE
PHONE 1-727-796-1300
FAX 1-727-797-8849



STYLE 800 POLYURETHANE U-SEALS

| Part Number | A Nom. ID | B Nom. OD | C Nom. Ht | D GROOVE WIDTH | E ROD DIAMETER | F THROAT DIAMETER | G HOUSING DIAMETER | H GROOVE DIAMETER | I PISTON DIAMETER | J BORE DIAMETER | List Price |
|--------------|-----------|-----------|-----------|--|---|---|---|---|---|---|------------|
| U18-0.75-31B | 3/4 | 1-1/8 | 5/16 | .344 ^{+0.015} / _{+0.000} | .750 ^{+0.000} / _{-0.002} | .751 ^{+0.002} / _{+0.000} | 1.125 ^{+0.002} / _{+0.000} | .750 ^{+0.000} / _{-0.002} | 1.124 ^{+0.000} / _{-0.002} | 1.125 ^{+0.002} / _{+0.000} | 5.30 |
| U18-0.75-31D | 3/4 | 1-1/8 | 5/16 | .344 ^{+0.015} / _{+0.000} | .750 ^{+0.000} / _{-0.002} | .751 ^{+0.002} / _{+0.000} | 1.125 ^{+0.002} / _{+0.000} | .750 ^{+0.000} / _{-0.002} | 1.124 ^{+0.000} / _{-0.002} | 1.125 ^{+0.002} / _{+0.000} | 5.30 |
| U18-0.81 | 13/16 | 1-3/16 | 3/16 | .207 ^{+0.015} / _{+0.000} | .812 ^{+0.000} / _{-0.002} | .814 ^{+0.002} / _{+0.000} | 1.188 ^{+0.002} / _{+0.000} | .812 ^{+0.000} / _{-0.002} | 1.187 ^{+0.000} / _{-0.002} | 1.188 ^{+0.002} / _{+0.000} | 4.86 |
| U18-0.81-31B | 13/16 | 1-3/16 | 5/16 | .344 ^{+0.015} / _{+0.000} | .812 ^{+0.000} / _{-0.002} | .814 ^{+0.002} / _{+0.000} | 1.188 ^{+0.002} / _{+0.000} | .812 ^{+0.000} / _{-0.002} | 1.187 ^{+0.000} / _{-0.002} | 1.188 ^{+0.002} / _{+0.000} | 5.50 |
| U18-0.87 | 7/8 | 1-1/4 | 3/16 | .207 ^{+0.015} / _{+0.000} | .875 ^{+0.000} / _{-0.002} | .876 ^{+0.002} / _{+0.000} | 1.250 ^{+0.002} / _{+0.000} | .875 ^{+0.000} / _{-0.002} | 1.249 ^{+0.000} / _{-0.002} | 1.250 ^{+0.002} / _{+0.000} | 5.07 |
| U18-0.87-SQB | 7/8 | 1-1/4 | 3/16 | .207 ^{+0.015} / _{+0.000} | .875 ^{+0.000} / _{-0.002} | .876 ^{+0.002} / _{+0.000} | 1.250 ^{+0.002} / _{+0.000} | .875 ^{+0.000} / _{-0.002} | 1.249 ^{+0.000} / _{-0.002} | 1.250 ^{+0.002} / _{+0.000} | 5.07 |
| U18-0.87-31B | 7/8 | 1-1/4 | 5/16 | .344 ^{+0.015} / _{+0.000} | .875 ^{+0.000} / _{-0.002} | .876 ^{+0.002} / _{+0.000} | 1.250 ^{+0.002} / _{+0.000} | .875 ^{+0.000} / _{-0.002} | 1.249 ^{+0.000} / _{-0.002} | 1.250 ^{+0.002} / _{+0.000} | 5.62 |
| U18-0.93 | 15/16 | 1-5/16 | 3/16 | .207 ^{+0.015} / _{+0.000} | .937 ^{+0.000} / _{-0.002} | .939 ^{+0.002} / _{+0.000} | 1.313 ^{+0.002} / _{+0.000} | .937 ^{+0.000} / _{-0.002} | 1.311 ^{+0.000} / _{-0.002} | 1.313 ^{+0.002} / _{+0.000} | 5.21 |
| U18-1.00 | 1 | 1-3/8 | 3/16 | .207 ^{+0.015} / _{+0.000} | 1.000 ^{+0.000} / _{-0.002} | 1.001 ^{+0.002} / _{+0.000} | 1.375 ^{+0.002} / _{+0.000} | 1.000 ^{+0.000} / _{-0.002} | 1.374 ^{+0.000} / _{-0.002} | 1.375 ^{+0.002} / _{+0.000} | 5.04 |
| U18-1.00-SQB | 1 | 1-3/8 | 3/16 | .207 ^{+0.015} / _{+0.000} | 1.000 ^{+0.000} / _{-0.002} | 1.001 ^{+0.002} / _{+0.000} | 1.375 ^{+0.002} / _{+0.000} | 1.000 ^{+0.000} / _{-0.002} | 1.374 ^{+0.000} / _{-0.002} | 1.375 ^{+0.002} / _{+0.000} | 5.04 |
| U18-1.00-25B | 1 | 1-3/8 | 1/4 | .275 ^{+0.015} / _{+0.000} | 1.000 ^{+0.000} / _{-0.002} | 1.001 ^{+0.002} / _{+0.000} | 1.375 ^{+0.002} / _{+0.000} | 1.000 ^{+0.000} / _{-0.002} | 1.374 ^{+0.000} / _{-0.002} | 1.375 ^{+0.002} / _{+0.000} | 5.65 |
| U18-1.00-31B | 1 | 1-3/8 | 5/16 | .344 ^{+0.015} / _{+0.000} | 1.000 ^{+0.000} / _{-0.002} | 1.001 ^{+0.002} / _{+0.000} | 1.375 ^{+0.002} / _{+0.000} | 1.000 ^{+0.000} / _{-0.002} | 1.374 ^{+0.000} / _{-0.002} | 1.375 ^{+0.002} / _{+0.000} | 5.65 |
| U18-1.00-31D | 1 | 1-3/8 | 5/16 | .344 ^{+0.015} / _{+0.000} | 1.000 ^{+0.000} / _{-0.002} | 1.001 ^{+0.002} / _{+0.000} | 1.375 ^{+0.002} / _{+0.000} | 1.000 ^{+0.000} / _{-0.002} | 1.374 ^{+0.000} / _{-0.002} | 1.375 ^{+0.002} / _{+0.000} | 6.56 |
| U18-1.00-37B | 1 | 1-3/8 | 3/8 | .413 ^{+0.015} / _{+0.000} | 1.000 ^{+0.000} / _{-0.002} | 1.001 ^{+0.002} / _{+0.000} | 1.375 ^{+0.002} / _{+0.000} | 1.000 ^{+0.000} / _{-0.002} | 1.374 ^{+0.000} / _{-0.002} | 1.375 ^{+0.002} / _{+0.000} | 5.85 |
| U18-1.06 | 1-1/16 | 1-7/16 | 3/16 | .207 ^{+0.015} / _{+0.000} | 1.062 ^{+0.000} / _{-0.002} | 1.063 ^{+0.002} / _{+0.000} | 1.438 ^{+0.002} / _{+0.000} | 1.062 ^{+0.000} / _{-0.002} | 1.437 ^{+0.000} / _{-0.002} | 1.438 ^{+0.002} / _{+0.000} | 5.20 |
| U18-1.06-31B | 1-1/16 | 1-7/16 | 5/16 | .344 ^{+0.015} / _{+0.000} | 1.062 ^{+0.000} / _{-0.002} | 1.063 ^{+0.002} / _{+0.000} | 1.438 ^{+0.002} / _{+0.000} | 1.062 ^{+0.000} / _{-0.002} | 1.436 ^{+0.000} / _{-0.002} | 1.438 ^{+0.002} / _{+0.000} | 5.72 |
| U18-1.12 | 1-1/8 | 1-1/2 | 3/16 | .207 ^{+0.015} / _{+0.000} | 1.125 ^{+0.000} / _{-0.002} | 1.126 ^{+0.002} / _{+0.000} | 1.500 ^{+0.002} / _{+0.000} | 1.125 ^{+0.000} / _{-0.002} | 1.499 ^{+0.000} / _{-0.002} | 1.500 ^{+0.002} / _{+0.000} | 5.29 |
| U18-1.12-SQB | 1-1/8 | 1-1/2 | 3/16 | .207 ^{+0.015} / _{+0.000} | 1.125 ^{+0.000} / _{-0.002} | 1.126 ^{+0.002} / _{+0.000} | 1.500 ^{+0.002} / _{+0.000} | 1.125 ^{+0.000} / _{-0.002} | 1.499 ^{+0.000} / _{-0.002} | 1.500 ^{+0.002} / _{+0.000} | 5.29 |
| U18-1.12-25B | 1-1/8 | 1-1/2 | 1/4 | .275 ^{+0.015} / _{+0.000} | 1.125 ^{+0.000} / _{-0.002} | 1.126 ^{+0.002} / _{+0.000} | 1.500 ^{+0.002} / _{+0.000} | 1.125 ^{+0.000} / _{-0.002} | 1.499 ^{+0.000} / _{-0.002} | 1.500 ^{+0.002} / _{+0.000} | 5.90 |
| U18-1.12-31B | 1-1/8 | 1-1/2 | 5/16 | .344 ^{+0.015} / _{+0.000} | 1.125 ^{+0.000} / _{-0.002} | 1.126 ^{+0.002} / _{+0.000} | 1.500 ^{+0.002} / _{+0.000} | 1.125 ^{+0.000} / _{-0.002} | 1.499 ^{+0.000} / _{-0.002} | 1.500 ^{+0.002} / _{+0.000} | 5.90 |
| U18-1.12-31D | 1-1/8 | 1-1/2 | 5/16 | .344 ^{+0.015} / _{+0.000} | 1.125 ^{+0.000} / _{-0.002} | 1.126 ^{+0.002} / _{+0.000} | 1.500 ^{+0.002} / _{+0.000} | 1.125 ^{+0.000} / _{-0.002} | 1.499 ^{+0.000} / _{-0.002} | 1.500 ^{+0.002} / _{+0.000} | 5.90 |
| U18-1.12-37B | 1-1/8 | 1-1/2 | 3/8 | .413 ^{+0.015} / _{+0.000} | 1.125 ^{+0.000} / _{-0.002} | 1.126 ^{+0.002} / _{+0.000} | 1.500 ^{+0.002} / _{+0.000} | 1.125 ^{+0.000} / _{-0.002} | 1.499 ^{+0.000} / _{-0.002} | 1.500 ^{+0.002} / _{+0.000} | 6.56 |
| U18-1.18 | 1-3/16 | 1-9/16 | 3/16 | .207 ^{+0.015} / _{+0.000} | 1.187 ^{+0.000} / _{-0.002} | 1.189 ^{+0.002} / _{+0.000} | 1.563 ^{+0.002} / _{+0.000} | 1.187 ^{+0.000} / _{-0.002} | 1.561 ^{+0.000} / _{-0.002} | 1.563 ^{+0.002} / _{+0.000} | 5.49 |
| U18-1.18-25B | 1-3/16 | 1-9/16 | 1/4 | .275 ^{+0.015} / _{+0.000} | 1.187 ^{+0.000} / _{-0.002} | 1.189 ^{+0.002} / _{+0.000} | 1.563 ^{+0.002} / _{+0.000} | 1.187 ^{+0.000} / _{-0.002} | 1.561 ^{+0.000} / _{-0.002} | 1.563 ^{+0.002} / _{+0.000} | 6.04 |
| U18-1.18-31B | 1-3/16 | 1-9/16 | 5/16 | .344 ^{+0.015} / _{+0.000} | 1.187 ^{+0.000} / _{-0.002} | 1.189 ^{+0.002} / _{+0.000} | 1.563 ^{+0.002} / _{+0.000} | 1.187 ^{+0.000} / _{-0.002} | 1.561 ^{+0.000} / _{-0.002} | 1.563 ^{+0.002} / _{+0.000} | 7.06 |
| U18-1.25 | 1-1/4 | 1-5/8 | 3/16 | .207 ^{+0.015} / _{+0.000} | 1.250 ^{+0.000} / _{-0.002} | 1.251 ^{+0.002} / _{+0.000} | 1.625 ^{+0.002} / _{+0.000} | 1.250 ^{+0.000} / _{-0.002} | 1.624 ^{+0.000} / _{-0.002} | 1.625 ^{+0.002} / _{+0.000} | 5.51 |
| U18-1.25-SQB | 1-1/4 | 1-5/8 | 3/16 | .207 ^{+0.015} / _{+0.000} | 1.250 ^{+0.000} / _{-0.002} | 1.251 ^{+0.002} / _{+0.000} | 1.625 ^{+0.002} / _{+0.000} | 1.250 ^{+0.000} / _{-0.002} | 1.624 ^{+0.000} / _{-0.002} | 1.625 ^{+0.002} / _{+0.000} | 5.51 |
| U18-1.25-25B | 1-1/4 | 1-5/8 | 1/4 | .275 ^{+0.015} / _{+0.000} | 1.250 ^{+0.000} / _{-0.002} | 1.251 ^{+0.002} / _{+0.000} | 1.625 ^{+0.002} / _{+0.000} | 1.250 ^{+0.000} / _{-0.002} | 1.624 ^{+0.000} / _{-0.002} | 1.625 ^{+0.002} / _{+0.000} | 6.37 |
| U18-1.25-26B | 1-1/4 | 1-5/8 | .26 | .286 ^{+0.015} / _{+0.000} | 1.250 ^{+0.000} / _{-0.002} | 1.251 ^{+0.002} / _{+0.000} | 1.625 ^{+0.002} / _{+0.000} | 1.250 ^{+0.000} / _{-0.002} | 1.624 ^{+0.000} / _{-0.002} | 1.625 ^{+0.002} / _{+0.000} | 6.05 |
| U18-1.25-31B | 1-1/4 | 1-5/8 | 5/16 | .344 ^{+0.015} / _{+0.000} | 1.250 ^{+0.000} / _{-0.002} | 1.251 ^{+0.002} / _{+0.000} | 1.625 ^{+0.002} / _{+0.000} | 1.250 ^{+0.000} / _{-0.002} | 1.624 ^{+0.000} / _{-0.002} | 1.625 ^{+0.002} / _{+0.000} | 5.61 |
| U18-1.25-31D | 1-1/4 | 1-5/8 | 5/16 | .344 ^{+0.015} / _{+0.000} | 1.250 ^{+0.000} / _{-0.002} | 1.251 ^{+0.002} / _{+0.000} | 1.625 ^{+0.002} / _{+0.000} | 1.250 ^{+0.000} / _{-0.002} | 1.624 ^{+0.000} / _{-0.002} | 1.625 ^{+0.002} / _{+0.000} | 5.61 |
| U18-1.25-37B | 1-1/4 | 1-5/8 | 3/8 | .413 ^{+0.015} / _{+0.000} | 1.250 ^{+0.000} / _{-0.002} | 1.251 ^{+0.002} / _{+0.000} | 1.625 ^{+0.002} / _{+0.000} | 1.250 ^{+0.000} / _{-0.002} | 1.624 ^{+0.000} / _{-0.002} | 1.625 ^{+0.002} / _{+0.000} | 6.28 |
| U18-1.31 | 1-5/16 | 1-11/16 | 3/16 | .207 ^{+0.015} / _{+0.000} | 1.312 ^{+0.000} / _{-0.002} | 1.313 ^{+0.002} / _{+0.000} | 1.688 ^{+0.002} / _{+0.000} | 1.312 ^{+0.000} / _{-0.002} | 1.686 ^{+0.000} / _{-0.002} | 1.688 ^{+0.002} / _{+0.000} | 5.90 |

U-SEALS

FORMERLY LISTED SEALS ARE AVAILABLE ONLINE AT WWW.HERCULESUS.COM
OR BY CONTACTING YOUR REGIONAL HERCULES SALES TEAM.



STYLE 800 POLYURETHANE U-SEALS

U-SEALS

| Part Number | A Nom. ID | B Nom. OD | C Nom. Ht | D GROOVE WIDTH | E ROD DIAMETER | F THROAT DIAMETER | G HOUSING DIAMETER | H GROOVE DIAMETER | I PISTON DIAMETER | J BORE DIAMETER | List Price |
|--------------|-----------|-----------|-----------|--|---|---|---|---|---|---|------------|
| U18-1.31-SQB | 1-5/16 | 1-11/16 | 3/16 | .207 ⁺⁰¹⁵ / ₊₀₀₀ | 1.312 ⁺⁰⁰⁰ / ₋₀₀₂ | 1.313 ⁺⁰⁰² / ₊₀₀₀ | 1.688 ⁺⁰⁰² / ₊₀₀₀ | 1.312 ⁺⁰⁰⁰ / ₋₀₀₂ | 1.686 ⁺⁰⁰⁰ / ₋₀₀₂ | 1.688 ⁺⁰⁰² / ₊₀₀₀ | 5.90 |
| U18-1.31-31B | 1-5/16 | 1-11/16 | 5/16 | .344 ⁺⁰¹⁵ / ₊₀₀₀ | 1.312 ⁺⁰⁰⁰ / ₋₀₀₂ | 1.313 ⁺⁰⁰² / ₊₀₀₀ | 1.688 ⁺⁰⁰² / ₊₀₀₀ | 1.312 ⁺⁰⁰⁰ / ₋₀₀₂ | 1.686 ⁺⁰⁰⁰ / ₋₀₀₂ | 1.688 ⁺⁰⁰² / ₊₀₀₀ | 6.28 |
| U18-1.37 | 1-3/8 | 1-3/4 | 3/16 | .207 ⁺⁰¹⁵ / ₊₀₀₀ | 1.375 ⁺⁰⁰⁰ / ₋₀₀₂ | 1.376 ⁺⁰⁰² / ₊₀₀₀ | 1.750 ⁺⁰⁰² / ₊₀₀₀ | 1.375 ⁺⁰⁰⁰ / ₋₀₀₂ | 1.749 ⁺⁰⁰⁰ / ₋₀₀₂ | 1.750 ⁺⁰⁰² / ₊₀₀₀ | 5.72 |
| U18-1.37-SQB | 1-3/8 | 1-3/4 | 3/16 | .207 ⁺⁰¹⁵ / ₊₀₀₀ | 1.375 ⁺⁰⁰⁰ / ₋₀₀₂ | 1.376 ⁺⁰⁰² / ₊₀₀₀ | 1.750 ⁺⁰⁰² / ₊₀₀₀ | 1.375 ⁺⁰⁰⁰ / ₋₀₀₂ | 1.749 ⁺⁰⁰⁰ / ₋₀₀₂ | 1.750 ⁺⁰⁰² / ₊₀₀₀ | 5.72 |
| U18-1.37-25B | 1-3/8 | 1-3/4 | 1/4 | .275 ⁺⁰¹⁵ / ₊₀₀₀ | 1.375 ⁺⁰⁰⁰ / ₋₀₀₂ | 1.376 ⁺⁰⁰² / ₊₀₀₀ | 1.750 ⁺⁰⁰² / ₊₀₀₀ | 1.375 ⁺⁰⁰⁰ / ₋₀₀₂ | 1.749 ⁺⁰⁰⁰ / ₋₀₀₂ | 1.750 ⁺⁰⁰² / ₊₀₀₀ | 6.71 |
| U18-1.37-31B | 1-3/8 | 1-3/4 | 5/16 | .344 ⁺⁰¹⁵ / ₊₀₀₀ | 1.375 ⁺⁰⁰⁰ / ₋₀₀₂ | 1.376 ⁺⁰⁰² / ₊₀₀₀ | 1.750 ⁺⁰⁰² / ₊₀₀₀ | 1.375 ⁺⁰⁰⁰ / ₋₀₀₂ | 1.749 ⁺⁰⁰⁰ / ₋₀₀₂ | 1.750 ⁺⁰⁰² / ₊₀₀₀ | 6.42 |
| U18-1.37-31D | 1-3/8 | 1-3/4 | 5/16 | .344 ⁺⁰¹⁵ / ₊₀₀₀ | 1.375 ⁺⁰⁰⁰ / ₋₀₀₂ | 1.376 ⁺⁰⁰² / ₊₀₀₀ | 1.750 ⁺⁰⁰² / ₊₀₀₀ | 1.375 ⁺⁰⁰⁰ / ₋₀₀₂ | 1.749 ⁺⁰⁰⁰ / ₋₀₀₂ | 1.750 ⁺⁰⁰² / ₊₀₀₀ | 7.47 |
| U18-1.37-37B | 1-3/8 | 1-3/4 | 3/8 | .413 ⁺⁰¹⁵ / ₊₀₀₀ | 1.375 ⁺⁰⁰⁰ / ₋₀₀₂ | 1.376 ⁺⁰⁰² / ₊₀₀₀ | 1.750 ⁺⁰⁰² / ₊₀₀₀ | 1.375 ⁺⁰⁰⁰ / ₋₀₀₂ | 1.749 ⁺⁰⁰⁰ / ₋₀₀₂ | 1.750 ⁺⁰⁰² / ₊₀₀₀ | 6.69 |
| U18-1.43 | 1-7/16 | 1-13/16 | 3/16 | .207 ⁺⁰¹⁵ / ₊₀₀₀ | 1.437 ⁺⁰⁰⁰ / ₋₀₀₂ | 1.439 ⁺⁰⁰² / ₊₀₀₀ | 1.813 ⁺⁰⁰² / ₊₀₀₀ | 1.437 ⁺⁰⁰⁰ / ₋₀₀₂ | 1.811 ⁺⁰⁰⁰ / ₋₀₀₂ | 1.813 ⁺⁰⁰² / ₊₀₀₀ | 6.04 |
| U18-1.50 | 1-1/2 | 1-7/8 | 3/16 | .207 ⁺⁰¹⁵ / ₊₀₀₀ | 1.500 ⁺⁰⁰⁰ / ₋₀₀₂ | 1.501 ⁺⁰⁰² / ₊₀₀₀ | 1.875 ⁺⁰⁰² / ₊₀₀₀ | 1.500 ⁺⁰⁰⁰ / ₋₀₀₂ | 1.874 ⁺⁰⁰⁰ / ₋₀₀₂ | 1.875 ⁺⁰⁰² / ₊₀₀₀ | 5.75 |
| U18-1.50-SQB | 1-1/2 | 1-7/8 | 3/16 | .207 ⁺⁰¹⁵ / ₊₀₀₀ | 1.500 ⁺⁰⁰⁰ / ₋₀₀₂ | 1.501 ⁺⁰⁰² / ₊₀₀₀ | 1.875 ⁺⁰⁰² / ₊₀₀₀ | 1.500 ⁺⁰⁰⁰ / ₋₀₀₂ | 1.874 ⁺⁰⁰⁰ / ₋₀₀₂ | 1.875 ⁺⁰⁰² / ₊₀₀₀ | 5.75 |
| U18-1.50-25B | 1-1/2 | 1-7/8 | 1/4 | .275 ⁺⁰¹⁵ / ₊₀₀₀ | 1.500 ⁺⁰⁰⁰ / ₋₀₀₂ | 1.501 ⁺⁰⁰² / ₊₀₀₀ | 1.875 ⁺⁰⁰² / ₊₀₀₀ | 1.500 ⁺⁰⁰⁰ / ₋₀₀₂ | 1.874 ⁺⁰⁰⁰ / ₋₀₀₂ | 1.875 ⁺⁰⁰² / ₊₀₀₀ | 6.49 |
| U18-1.50-26B | 1-1/2 | 1-7/8 | .26 | .286 ⁺⁰¹⁵ / ₊₀₀₀ | 1.500 ⁺⁰⁰⁰ / ₋₀₀₂ | 1.501 ⁺⁰⁰² / ₊₀₀₀ | 1.875 ⁺⁰⁰² / ₊₀₀₀ | 1.500 ⁺⁰⁰⁰ / ₋₀₀₂ | 1.874 ⁺⁰⁰⁰ / ₋₀₀₂ | 1.875 ⁺⁰⁰² / ₊₀₀₀ | 6.51 |
| U18-1.50-29F | 1-1/2 | 1-7/8 | 19/64 | .327 ⁺⁰¹⁵ / ₊₀₀₀ | 1.500 ⁺⁰⁰⁰ / ₋₀₀₂ | 1.501 ⁺⁰⁰² / ₊₀₀₀ | 1.875 ⁺⁰⁰² / ₊₀₀₀ | 1.500 ⁺⁰⁰⁰ / ₋₀₀₂ | 1.874 ⁺⁰⁰⁰ / ₋₀₀₂ | 1.875 ⁺⁰⁰² / ₊₀₀₀ | 13.99 |
| U18-1.50-31B | 1-1/2 | 1-7/8 | 5/16 | .344 ⁺⁰¹⁵ / ₊₀₀₀ | 1.500 ⁺⁰⁰⁰ / ₋₀₀₂ | 1.501 ⁺⁰⁰² / ₊₀₀₀ | 1.875 ⁺⁰⁰² / ₊₀₀₀ | 1.500 ⁺⁰⁰⁰ / ₋₀₀₂ | 1.874 ⁺⁰⁰⁰ / ₋₀₀₂ | 1.875 ⁺⁰⁰² / ₊₀₀₀ | 6.51 |
| U18-1.50-37B | 1-1/2 | 1-7/8 | 3/8 | .413 ⁺⁰¹⁵ / ₊₀₀₀ | 1.500 ⁺⁰⁰⁰ / ₋₀₀₂ | 1.501 ⁺⁰⁰² / ₊₀₀₀ | 1.875 ⁺⁰⁰² / ₊₀₀₀ | 1.500 ⁺⁰⁰⁰ / ₋₀₀₂ | 1.874 ⁺⁰⁰⁰ / ₋₀₀₂ | 1.875 ⁺⁰⁰² / ₊₀₀₀ | 6.51 |
| U18-1.50-37D | 1-1/2 | 1-7/8 | 3/8 | .413 ⁺⁰¹⁵ / ₊₀₀₀ | 1.500 ⁺⁰⁰⁰ / ₋₀₀₂ | 1.501 ⁺⁰⁰² / ₊₀₀₀ | 1.875 ⁺⁰⁰² / ₊₀₀₀ | 1.500 ⁺⁰⁰⁰ / ₋₀₀₂ | 1.874 ⁺⁰⁰⁰ / ₋₀₀₂ | 1.875 ⁺⁰⁰² / ₊₀₀₀ | 6.51 |
| U18-1.56-37B | 1-9/16 | 1-15/16 | 3/8 | .413 ⁺⁰¹⁵ / ₊₀₀₀ | 1.562 ⁺⁰⁰⁰ / ₋₀₀₂ | 1.564 ⁺⁰⁰² / ₊₀₀₀ | 1.938 ⁺⁰⁰² / ₊₀₀₀ | 1.562 ⁺⁰⁰⁰ / ₋₀₀₂ | 1.936 ⁺⁰⁰⁰ / ₋₀₀₂ | 1.938 ⁺⁰⁰² / ₊₀₀₀ | 6.77 |
| U18-1.62 | 1-5/8 | 2 | 3/16 | .207 ⁺⁰¹⁵ / ₊₀₀₀ | 1.625 ⁺⁰⁰⁰ / ₋₀₀₂ | 1.626 ⁺⁰⁰² / ₊₀₀₀ | 2.000 ⁺⁰⁰² / ₊₀₀₀ | 1.625 ⁺⁰⁰⁰ / ₋₀₀₂ | 1.999 ⁺⁰⁰⁰ / ₋₀₀₂ | 2.000 ⁺⁰⁰² / ₊₀₀₀ | 6.14 |
| U18-1.62-SQB | 1-5/8 | 2 | 3/16 | .207 ⁺⁰¹⁵ / ₊₀₀₀ | 1.625 ⁺⁰⁰⁰ / ₋₀₀₂ | 1.626 ⁺⁰⁰² / ₊₀₀₀ | 2.000 ⁺⁰⁰² / ₊₀₀₀ | 1.625 ⁺⁰⁰⁰ / ₋₀₀₂ | 1.999 ⁺⁰⁰⁰ / ₋₀₀₂ | 2.000 ⁺⁰⁰² / ₊₀₀₀ | 6.14 |
| U18-1.62-25B | 1-5/8 | 2 | 1/4 | .275 ⁺⁰¹⁵ / ₊₀₀₀ | 1.625 ⁺⁰⁰⁰ / ₋₀₀₂ | 1.626 ⁺⁰⁰² / ₊₀₀₀ | 2.000 ⁺⁰⁰² / ₊₀₀₀ | 1.625 ⁺⁰⁰⁰ / ₋₀₀₂ | 1.999 ⁺⁰⁰⁰ / ₋₀₀₂ | 2.000 ⁺⁰⁰² / ₊₀₀₀ | 7.28 |
| U18-1.62-31B | 1-5/8 | 2 | 5/16 | .344 ⁺⁰¹⁵ / ₊₀₀₀ | 1.625 ⁺⁰⁰⁰ / ₋₀₀₂ | 1.626 ⁺⁰⁰² / ₊₀₀₀ | 2.000 ⁺⁰⁰² / ₊₀₀₀ | 1.625 ⁺⁰⁰⁰ / ₋₀₀₂ | 1.999 ⁺⁰⁰⁰ / ₋₀₀₂ | 2.000 ⁺⁰⁰² / ₊₀₀₀ | 7.28 |
| U18-1.62-37B | 1-5/8 | 2 | 3/8 | .413 ⁺⁰¹⁵ / ₊₀₀₀ | 1.625 ⁺⁰⁰⁰ / ₋₀₀₂ | 1.626 ⁺⁰⁰² / ₊₀₀₀ | 2.000 ⁺⁰⁰² / ₊₀₀₀ | 1.625 ⁺⁰⁰⁰ / ₋₀₀₂ | 1.999 ⁺⁰⁰⁰ / ₋₀₀₂ | 2.000 ⁺⁰⁰² / ₊₀₀₀ | 7.28 |
| U18-1.62-37D | 1-5/8 | 2 | 3/8 | .413 ⁺⁰¹⁵ / ₊₀₀₀ | 1.625 ⁺⁰⁰⁰ / ₋₀₀₂ | 1.626 ⁺⁰⁰² / ₊₀₀₀ | 2.000 ⁺⁰⁰² / ₊₀₀₀ | 1.625 ⁺⁰⁰⁰ / ₋₀₀₂ | 1.999 ⁺⁰⁰⁰ / ₋₀₀₂ | 2.000 ⁺⁰⁰² / ₊₀₀₀ | 7.28 |
| U18-1.68 | 1-11/16 | 2-1/16 | 3/16 | .207 ⁺⁰¹⁵ / ₊₀₀₀ | 1.687 ⁺⁰⁰⁰ / ₋₀₀₂ | 1.689 ⁺⁰⁰² / ₊₀₀₀ | 2.063 ⁺⁰⁰² / ₊₀₀₀ | 1.687 ⁺⁰⁰⁰ / ₋₀₀₂ | 2.061 ⁺⁰⁰⁰ / ₋₀₀₂ | 2.063 ⁺⁰⁰² / ₊₀₀₀ | 6.48 |
| U18-1.75 | 1-3/4 | 2-1/8 | 3/16 | .207 ⁺⁰¹⁵ / ₊₀₀₀ | 1.750 ⁺⁰⁰⁰ / ₋₀₀₂ | 1.751 ⁺⁰⁰² / ₊₀₀₀ | 2.125 ⁺⁰⁰² / ₊₀₀₀ | 1.750 ⁺⁰⁰⁰ / ₋₀₀₂ | 2.124 ⁺⁰⁰⁰ / ₋₀₀₂ | 2.125 ⁺⁰⁰² / ₊₀₀₀ | 6.26 |
| U18-1.75-SQB | 1-3/4 | 2-1/8 | 3/16 | .207 ⁺⁰¹⁵ / ₊₀₀₀ | 1.750 ⁺⁰⁰⁰ / ₋₀₀₂ | 1.751 ⁺⁰⁰² / ₊₀₀₀ | 2.125 ⁺⁰⁰² / ₊₀₀₀ | 1.750 ⁺⁰⁰⁰ / ₋₀₀₂ | 2.124 ⁺⁰⁰⁰ / ₋₀₀₂ | 2.125 ⁺⁰⁰² / ₊₀₀₀ | 6.26 |
| U18-1.75-25B | 1-3/4 | 2-1/8 | 1/4 | .275 ⁺⁰¹⁵ / ₊₀₀₀ | 1.750 ⁺⁰⁰⁰ / ₋₀₀₂ | 1.751 ⁺⁰⁰² / ₊₀₀₀ | 2.125 ⁺⁰⁰² / ₊₀₀₀ | 1.750 ⁺⁰⁰⁰ / ₋₀₀₂ | 2.124 ⁺⁰⁰⁰ / ₋₀₀₂ | 2.125 ⁺⁰⁰² / ₊₀₀₀ | 8.73 |
| U18-1.75-26B | 1-3/4 | 2-1/8 | .26 | .286 ⁺⁰¹⁵ / ₊₀₀₀ | 1.750 ⁺⁰⁰⁰ / ₋₀₀₂ | 1.751 ⁺⁰⁰² / ₊₀₀₀ | 2.125 ⁺⁰⁰² / ₊₀₀₀ | 1.750 ⁺⁰⁰⁰ / ₋₀₀₂ | 2.124 ⁺⁰⁰⁰ / ₋₀₀₂ | 2.125 ⁺⁰⁰² / ₊₀₀₀ | 7.37 |
| U18-1.75-31B | 1-3/4 | 2-1/8 | 5/16 | .344 ⁺⁰¹⁵ / ₊₀₀₀ | 1.750 ⁺⁰⁰⁰ / ₋₀₀₂ | 1.751 ⁺⁰⁰² / ₊₀₀₀ | 2.125 ⁺⁰⁰² / ₊₀₀₀ | 1.750 ⁺⁰⁰⁰ / ₋₀₀₂ | 2.124 ⁺⁰⁰⁰ / ₋₀₀₂ | 2.125 ⁺⁰⁰² / ₊₀₀₀ | 7.69 |
| U18-1.75-31D | 1-3/4 | 2-1/8 | 5/16 | .344 ⁺⁰¹⁵ / ₊₀₀₀ | 1.750 ⁺⁰⁰⁰ / ₋₀₀₂ | 1.751 ⁺⁰⁰² / ₊₀₀₀ | 2.125 ⁺⁰⁰² / ₊₀₀₀ | 1.750 ⁺⁰⁰⁰ / ₋₀₀₂ | 2.124 ⁺⁰⁰⁰ / ₋₀₀₂ | 2.125 ⁺⁰⁰² / ₊₀₀₀ | 8.39 |
| U18-1.75-37B | 1-3/4 | 2-1/8 | 3/8 | .413 ⁺⁰¹⁵ / ₊₀₀₀ | 1.750 ⁺⁰⁰⁰ / ₋₀₀₂ | 1.751 ⁺⁰⁰² / ₊₀₀₀ | 2.125 ⁺⁰⁰² / ₊₀₀₀ | 1.750 ⁺⁰⁰⁰ / ₋₀₀₂ | 2.124 ⁺⁰⁰⁰ / ₋₀₀₂ | 2.125 ⁺⁰⁰² / ₊₀₀₀ | 7.37 |
| U18-1.75-37D | 1-3/4 | 2-1/8 | 3/8 | .413 ⁺⁰¹⁵ / ₊₀₀₀ | 1.750 ⁺⁰⁰⁰ / ₋₀₀₂ | 1.751 ⁺⁰⁰² / ₊₀₀₀ | 2.125 ⁺⁰⁰² / ₊₀₀₀ | 1.750 ⁺⁰⁰⁰ / ₋₀₀₂ | 2.124 ⁺⁰⁰⁰ / ₋₀₀₂ | 2.125 ⁺⁰⁰² / ₊₀₀₀ | 8.59 |

NORTH AMERICA
PHONE 1-800-777-5617
FAX 1-800-759-6391

SALES OFFICE HOURS
8 A.M. TO 7:30 P.M. EASTERN TIME
www.HerculesUS.com

WORLDWIDE
PHONE 1-727-796-1300
FAX 1-727-797-8849

STYLE 800 POLYURETHANE U-SEALS

| Part Number | A Nom. ID | B Nom. OD | C Nom. Ht | D GROOVE WIDTH | E ROD DIAMETER | F THROAT DIAMETER | G HOUSING DIAMETER | H GROOVE DIAMETER | I PISTON DIAMETER | J BORE DIAMETER | List Price |
|---------------|-----------|-----------|-----------|--|--|---|---|--|--|---|------------|
| U18-1.75-37DF | 1-3/4 | 2-1/8 | 3/8 | .413 ^{+0.015} / _{+0.000} | 1.750 ^{+0.000} / _{-.002} | 1.751 ^{+0.002} / _{+0.000} | 2.125 ^{+0.002} / _{+0.000} | 1.750 ^{+0.000} / _{-.002} | 2.124 ^{+0.000} / _{-.002} | 2.125 ^{+0.002} / _{+0.000} | 13.77 |
| U18-1.87 | 1-7/8 | 2-1/4 | 3/16 | .207 ^{+0.015} / _{+0.000} | 1.875 ^{+0.000} / _{-.002} | 1.876 ^{+0.002} / _{+0.000} | 2.250 ^{+0.002} / _{+0.000} | 1.875 ^{+0.000} / _{-.002} | 2.249 ^{+0.000} / _{-.002} | 2.250 ^{+0.002} / _{+0.000} | 6.42 |
| U18-1.87-SQB | 1-7/8 | 2-1/4 | 3/16 | .207 ^{+0.015} / _{+0.000} | 1.875 ^{+0.000} / _{-.002} | 1.876 ^{+0.002} / _{+0.000} | 2.250 ^{+0.002} / _{+0.000} | 1.875 ^{+0.000} / _{-.002} | 2.249 ^{+0.000} / _{-.002} | 2.250 ^{+0.002} / _{+0.000} | 6.42 |
| U18-1.87-25D | 1-7/8 | 2-1/4 | 1/4 | .275 ^{+0.015} / _{+0.000} | 1.875 ^{+0.000} / _{-.002} | 1.876 ^{+0.002} / _{+0.000} | 2.250 ^{+0.002} / _{+0.000} | 1.875 ^{+0.000} / _{-.002} | 2.249 ^{+0.000} / _{-.002} | 2.250 ^{+0.002} / _{+0.000} | 8.17 |
| U18-1.87-26B | 1-7/8 | 2-1/4 | .26 | .286 ^{+0.015} / _{+0.000} | 1.875 ^{+0.000} / _{-.002} | 1.876 ^{+0.002} / _{+0.000} | 2.250 ^{+0.002} / _{+0.000} | 1.875 ^{+0.000} / _{-.002} | 2.249 ^{+0.000} / _{-.002} | 2.250 ^{+0.002} / _{+0.000} | 7.79 |
| U18-1.87-31B | 1-7/8 | 2-1/4 | 5/16 | .344 ^{+0.015} / _{+0.000} | 1.875 ^{+0.000} / _{-.002} | 1.876 ^{+0.002} / _{+0.000} | 2.250 ^{+0.002} / _{+0.000} | 1.875 ^{+0.000} / _{-.002} | 2.249 ^{+0.000} / _{-.002} | 2.250 ^{+0.002} / _{+0.000} | 7.79 |
| U18-1.87-37B | 1-7/8 | 2-1/4 | 3/8 | .413 ^{+0.015} / _{+0.000} | 1.875 ^{+0.000} / _{-.002} | 1.876 ^{+0.002} / _{+0.000} | 2.250 ^{+0.002} / _{+0.000} | 1.875 ^{+0.000} / _{-.002} | 2.249 ^{+0.000} / _{-.002} | 2.250 ^{+0.002} / _{+0.000} | 7.79 |
| U18-1.87-37D | 1-7/8 | 2-1/4 | 3/8 | .413 ^{+0.015} / _{+0.000} | 1.875 ^{+0.000} / _{-.002} | 1.876 ^{+0.002} / _{+0.000} | 2.250 ^{+0.002} / _{+0.000} | 1.875 ^{+0.000} / _{-.002} | 2.249 ^{+0.000} / _{-.002} | 2.250 ^{+0.002} / _{+0.000} | 8.17 |
| U18-2.00 | 2 | 2-3/8 | 3/16 | .207 ^{+0.015} / _{+0.000} | 2.000 ^{+0.000} / _{-.002} | 2.001 ^{+0.002} / _{+0.000} | 2.375 ^{+0.002} / _{+0.000} | 2.000 ^{+0.000} / _{-.002} | 2.374 ^{+0.000} / _{-.002} | 2.375 ^{+0.002} / _{+0.000} | 6.51 |
| U18-2.00-SQB | 2 | 2-3/8 | 3/16 | .207 ^{+0.015} / _{+0.000} | 2.000 ^{+0.000} / _{-.002} | 2.001 ^{+0.002} / _{+0.000} | 2.375 ^{+0.002} / _{+0.000} | 2.000 ^{+0.000} / _{-.002} | 2.374 ^{+0.000} / _{-.002} | 2.375 ^{+0.002} / _{+0.000} | 6.51 |
| U18-2.00-25B | 2 | 2-3/8 | 1/4 | .275 ^{+0.015} / _{+0.000} | 2.000 ^{+0.000} / _{-.002} | 2.001 ^{+0.002} / _{+0.000} | 2.375 ^{+0.002} / _{+0.000} | 2.000 ^{+0.000} / _{-.002} | 2.374 ^{+0.000} / _{-.002} | 2.375 ^{+0.002} / _{+0.000} | 8.19 |
| U18-2.00-27D | 2 | 2-3/8 | .27 | .297 ^{+0.015} / _{+0.000} | 2.000 ^{+0.000} / _{-.002} | 2.001 ^{+0.002} / _{+0.000} | 2.375 ^{+0.002} / _{+0.000} | 2.000 ^{+0.000} / _{-.002} | 2.374 ^{+0.000} / _{-.002} | 2.375 ^{+0.002} / _{+0.000} | 10.03 |
| U18-2.00-31B | 2 | 2-3/8 | 5/16 | .344 ^{+0.015} / _{+0.000} | 2.000 ^{+0.000} / _{-.002} | 2.001 ^{+0.002} / _{+0.000} | 2.375 ^{+0.002} / _{+0.000} | 2.000 ^{+0.000} / _{-.002} | 2.374 ^{+0.000} / _{-.002} | 2.375 ^{+0.002} / _{+0.000} | 8.19 |
| U18-2.00-37B | 2 | 2-3/8 | 3/8 | .413 ^{+0.015} / _{+0.000} | 2.000 ^{+0.000} / _{-.002} | 2.001 ^{+0.002} / _{+0.000} | 2.375 ^{+0.002} / _{+0.000} | 2.000 ^{+0.000} / _{-.002} | 2.374 ^{+0.000} / _{-.002} | 2.375 ^{+0.002} / _{+0.000} | 8.19 |
| U18-2.00-37D | 2 | 2-3/8 | 3/8 | .413 ^{+0.015} / _{+0.000} | 2.000 ^{+0.000} / _{-.002} | 2.001 ^{+0.002} / _{+0.000} | 2.375 ^{+0.002} / _{+0.000} | 2.000 ^{+0.000} / _{-.002} | 2.374 ^{+0.000} / _{-.002} | 2.375 ^{+0.002} / _{+0.000} | 9.85 |
| U18-2.06 | 2-1/16 | 2-7/16 | 3/16 | .207 ^{+0.015} / _{+0.000} | 2.062 ^{+0.000} / _{-.002} | 2.063 ^{+0.002} / _{+0.000} | 2.438 ^{+0.002} / _{+0.000} | 2.062 ^{+0.000} / _{-.002} | 2.436 ^{+0.000} / _{-.002} | 2.438 ^{+0.002} / _{+0.000} | 7.00 |
| U18-2.12 | 2-1/8 | 2-1/2 | 3/16 | .207 ^{+0.015} / _{+0.000} | 2.125 ^{+0.000} / _{-.002} | 2.126 ^{+0.002} / _{+0.000} | 2.500 ^{+0.002} / _{+0.000} | 2.125 ^{+0.000} / _{-.002} | 2.499 ^{+0.000} / _{-.002} | 2.500 ^{+0.002} / _{+0.000} | 6.73 |
| U18-2.12-SQB | 2-1/8 | 2-1/2 | 3/16 | .207 ^{+0.015} / _{+0.000} | 2.125 ^{+0.000} / _{-.002} | 2.126 ^{+0.002} / _{+0.000} | 2.500 ^{+0.002} / _{+0.000} | 2.125 ^{+0.000} / _{-.002} | 2.499 ^{+0.000} / _{-.002} | 2.500 ^{+0.002} / _{+0.000} | 6.73 |
| U18-2.12-25B | 2-1/8 | 2-1/2 | 1/4 | .275 ^{+0.015} / _{+0.000} | 2.125 ^{+0.000} / _{-.002} | 2.126 ^{+0.002} / _{+0.000} | 2.500 ^{+0.002} / _{+0.000} | 2.125 ^{+0.000} / _{-.002} | 2.499 ^{+0.000} / _{-.002} | 2.500 ^{+0.002} / _{+0.000} | 8.47 |
| U18-2.12-26B | 2-1/8 | 2-1/2 | .26 | .286 ^{+0.015} / _{+0.000} | 2.125 ^{+0.000} / _{-.002} | 2.126 ^{+0.002} / _{+0.000} | 2.500 ^{+0.002} / _{+0.000} | 2.125 ^{+0.000} / _{-.002} | 2.499 ^{+0.000} / _{-.002} | 2.500 ^{+0.002} / _{+0.000} | 8.85 |
| U18-2.12-31B | 2-1/8 | 2-1/2 | 5/16 | .344 ^{+0.015} / _{+0.000} | 2.125 ^{+0.000} / _{-.002} | 2.126 ^{+0.002} / _{+0.000} | 2.500 ^{+0.002} / _{+0.000} | 2.125 ^{+0.000} / _{-.002} | 2.499 ^{+0.000} / _{-.002} | 2.500 ^{+0.002} / _{+0.000} | 8.30 |
| U18-2.12-37B | 2-1/8 | 2-1/2 | 3/8 | .413 ^{+0.015} / _{+0.000} | 2.125 ^{+0.000} / _{-.002} | 2.126 ^{+0.002} / _{+0.000} | 2.500 ^{+0.002} / _{+0.000} | 2.125 ^{+0.000} / _{-.002} | 2.499 ^{+0.000} / _{-.002} | 2.500 ^{+0.002} / _{+0.000} | 8.47 |
| U18-2.12-37D | 2-1/8 | 2-1/2 | 3/8 | .413 ^{+0.015} / _{+0.000} | 2.125 ^{+0.000} / _{-.002} | 2.126 ^{+0.002} / _{+0.000} | 2.500 ^{+0.002} / _{+0.000} | 2.125 ^{+0.000} / _{-.002} | 2.499 ^{+0.000} / _{-.002} | 2.500 ^{+0.002} / _{+0.000} | 8.47 |
| U18-2.18-37B | 2-3/16 | 2-9/16 | 3/8 | .413 ^{+0.015} / _{+0.000} | 2.187 ^{+0.000} / _{-.002} | 2.189 ^{+0.002} / _{+0.000} | 2.563 ^{+0.002} / _{+0.000} | 2.187 ^{+0.000} / _{-.002} | 2.561 ^{+0.000} / _{-.002} | 2.563 ^{+0.002} / _{+0.000} | 9.30 |
| U18-2.25 | 2-1/4 | 2-5/8 | 3/16 | .207 ^{+0.015} / _{+0.000} | 2.250 ^{+0.000} / _{-.002} | 2.251 ^{+0.002} / _{+0.000} | 2.625 ^{+0.002} / _{+0.000} | 2.250 ^{+0.000} / _{-.002} | 2.624 ^{+0.000} / _{-.002} | 2.625 ^{+0.002} / _{+0.000} | 7.18 |
| U18-2.25-SQB | 2-1/4 | 2-5/8 | 3/16 | .207 ^{+0.015} / _{+0.000} | 2.250 ^{+0.000} / _{-.002} | 2.251 ^{+0.002} / _{+0.000} | 2.625 ^{+0.002} / _{+0.000} | 2.250 ^{+0.000} / _{-.002} | 2.624 ^{+0.000} / _{-.002} | 2.625 ^{+0.002} / _{+0.000} | 7.18 |
| U18-2.25-31B | 2-1/4 | 2-5/8 | 5/16 | .344 ^{+0.015} / _{+0.000} | 2.250 ^{+0.000} / _{-.002} | 2.251 ^{+0.002} / _{+0.000} | 2.625 ^{+0.002} / _{+0.000} | 2.250 ^{+0.000} / _{-.002} | 2.624 ^{+0.000} / _{-.002} | 2.625 ^{+0.002} / _{+0.000} | 9.66 |
| U18-2.25-37B | 2-1/4 | 2-5/8 | 3/8 | .413 ^{+0.015} / _{+0.000} | 2.250 ^{+0.000} / _{-.002} | 2.251 ^{+0.002} / _{+0.000} | 2.625 ^{+0.002} / _{+0.000} | 2.250 ^{+0.000} / _{-.002} | 2.624 ^{+0.000} / _{-.002} | 2.625 ^{+0.002} / _{+0.000} | 9.16 |
| U18-2.37 | 2-3/8 | 2-3/4 | 3/16 | .207 ^{+0.015} / _{+0.000} | 2.375 ^{+0.000} / _{-.002} | 2.376 ^{+0.002} / _{+0.000} | 2.750 ^{+0.002} / _{+0.000} | 2.375 ^{+0.000} / _{-.002} | 2.749 ^{+0.000} / _{-.002} | 2.750 ^{+0.002} / _{+0.000} | 7.85 |
| U18-2.37-SQB | 2-3/8 | 2-3/4 | 3/16 | .207 ^{+0.015} / _{+0.000} | 2.375 ^{+0.000} / _{-.002} | 2.376 ^{+0.002} / _{+0.000} | 2.750 ^{+0.002} / _{+0.000} | 2.375 ^{+0.000} / _{-.002} | 2.749 ^{+0.000} / _{-.002} | 2.750 ^{+0.002} / _{+0.000} | 7.00 |
| U18-2.37-25B | 2-3/8 | 2-3/4 | 1/4 | .275 ^{+0.015} / _{+0.000} | 2.375 ^{+0.000} / _{-.002} | 2.376 ^{+0.002} / _{+0.000} | 2.750 ^{+0.002} / _{+0.000} | 2.375 ^{+0.000} / _{-.002} | 2.749 ^{+0.000} / _{-.002} | 2.750 ^{+0.002} / _{+0.000} | 9.94 |
| U18-2.37-37B | 2-3/8 | 2-3/4 | 3/8 | .413 ^{+0.015} / _{+0.000} | 2.375 ^{+0.000} / _{-.002} | 2.376 ^{+0.002} / _{+0.000} | 2.750 ^{+0.002} / _{+0.000} | 2.375 ^{+0.000} / _{-.002} | 2.749 ^{+0.000} / _{-.002} | 2.750 ^{+0.002} / _{+0.000} | 9.94 |
| U18-2.37-50B | 2-3/8 | 2-3/4 | 1/2 | .550 ^{+0.015} / _{+0.000} | 2.375 ^{+0.000} / _{-.002} | 2.376 ^{+0.002} / _{+0.000} | 2.750 ^{+0.002} / _{+0.000} | 2.375 ^{+0.000} / _{-.002} | 2.749 ^{+0.000} / _{-.002} | 2.750 ^{+0.002} / _{+0.000} | 15.56 |

U-SEALS



STYLE 800 POLYURETHANE U-SEALS

| Part Number | A Nom. ID | B Nom. OD | C Nom. Ht | D GROOVE WIDTH | E ROD DIAMETER | F THROAT DIAMETER | G HOUSING DIAMETER | H GROOVE DIAMETER | I PISTON DIAMETER | J BORE DIAMETER | List Price |
|--------------|-----------|-----------|-----------|--|--|---|---|--|--|---|------------|
| U18-2.50 | 2-1/2 | 2-7/8 | 3/16 | .207 ^{+0.015} / _{+0.000} | 2.500 ^{+0.000} / _{-.002} | 2.501 ^{+0.002} / _{+0.000} | 2.875 ^{+0.002} / _{+0.000} | 2.500 ^{+0.000} / _{-.002} | 2.874 ^{+0.000} / _{-.002} | 2.875 ^{+0.002} / _{+0.000} | 7.39 |
| U18-2.50-SQB | 2-1/2 | 2-7/8 | 3/16 | .207 ^{+0.015} / _{+0.000} | 2.500 ^{+0.000} / _{-.002} | 2.501 ^{+0.002} / _{+0.000} | 2.875 ^{+0.002} / _{+0.000} | 2.500 ^{+0.000} / _{-.002} | 2.874 ^{+0.000} / _{-.002} | 2.875 ^{+0.002} / _{+0.000} | 7.39 |
| U18-2.50-25B | 2-1/2 | 2-7/8 | 1/4 | .275 ^{+0.015} / _{+0.000} | 2.500 ^{+0.000} / _{-.002} | 2.501 ^{+0.002} / _{+0.000} | 2.875 ^{+0.002} / _{+0.000} | 2.500 ^{+0.000} / _{-.002} | 2.874 ^{+0.000} / _{-.002} | 2.875 ^{+0.002} / _{+0.000} | 10.29 |
| U18-2.50-31B | 2-1/2 | 2-7/8 | 5/16 | .344 ^{+0.015} / _{+0.000} | 2.500 ^{+0.000} / _{-.002} | 2.501 ^{+0.002} / _{+0.000} | 2.875 ^{+0.002} / _{+0.000} | 2.500 ^{+0.000} / _{-.002} | 2.874 ^{+0.000} / _{-.002} | 2.875 ^{+0.002} / _{+0.000} | 9.86 |
| U18-2.50-37B | 2-1/2 | 2-7/8 | 3/8 | .413 ^{+0.015} / _{+0.000} | 2.500 ^{+0.000} / _{-.002} | 2.501 ^{+0.002} / _{+0.000} | 2.875 ^{+0.002} / _{+0.000} | 2.500 ^{+0.000} / _{-.002} | 2.874 ^{+0.000} / _{-.002} | 2.875 ^{+0.002} / _{+0.000} | 9.86 |
| U18-2.62 | 2-5/8 | 3 | 3/16 | .207 ^{+0.015} / _{+0.000} | 2.625 ^{+0.000} / _{-.002} | 2.626 ^{+0.002} / _{+0.000} | 3.000 ^{+0.002} / _{+0.000} | 2.625 ^{+0.000} / _{-.002} | 2.999 ^{+0.000} / _{-.002} | 3.000 ^{+0.002} / _{+0.000} | 7.87 |
| U18-2.62-SQB | 2-5/8 | 3 | 3/16 | .207 ^{+0.015} / _{+0.000} | 2.625 ^{+0.000} / _{-.002} | 2.626 ^{+0.002} / _{+0.000} | 3.000 ^{+0.002} / _{+0.000} | 2.625 ^{+0.000} / _{-.002} | 2.999 ^{+0.000} / _{-.002} | 3.000 ^{+0.002} / _{+0.000} | 7.39 |
| U18-2.62-25B | 2-5/8 | 3 | 1/4 | .275 ^{+0.015} / _{+0.000} | 2.625 ^{+0.000} / _{-.002} | 2.626 ^{+0.002} / _{+0.000} | 3.000 ^{+0.002} / _{+0.000} | 2.625 ^{+0.000} / _{-.002} | 2.999 ^{+0.000} / _{-.002} | 3.000 ^{+0.002} / _{+0.000} | 10.52 |
| U18-2.62-37B | 2-5/8 | 3 | 3/8 | .413 ^{+0.015} / _{+0.000} | 2.625 ^{+0.000} / _{-.002} | 2.626 ^{+0.002} / _{+0.000} | 3.000 ^{+0.002} / _{+0.000} | 2.625 ^{+0.000} / _{-.002} | 2.999 ^{+0.000} / _{-.002} | 3.000 ^{+0.002} / _{+0.000} | 10.27 |
| U18-2.62-37D | 2-5/8 | 3 | 3/8 | .413 ^{+0.015} / _{+0.000} | 2.625 ^{+0.000} / _{-.002} | 2.626 ^{+0.002} / _{+0.000} | 3.000 ^{+0.002} / _{+0.000} | 2.625 ^{+0.000} / _{-.002} | 2.999 ^{+0.000} / _{-.002} | 3.000 ^{+0.002} / _{+0.000} | 12.08 |
| U18-2.75 | 2-3/4 | 3-1/8 | 3/16 | .207 ^{+0.015} / _{+0.000} | 2.750 ^{+0.000} / _{-.002} | 2.751 ^{+0.002} / _{+0.000} | 3.125 ^{+0.002} / _{+0.000} | 2.750 ^{+0.000} / _{-.002} | 3.124 ^{+0.000} / _{-.002} | 3.125 ^{+0.002} / _{+0.000} | 8.55 |
| U18-2.75-SQB | 2-3/4 | 3-1/8 | 3/16 | .207 ^{+0.015} / _{+0.000} | 2.750 ^{+0.000} / _{-.002} | 2.751 ^{+0.002} / _{+0.000} | 3.125 ^{+0.002} / _{+0.000} | 2.750 ^{+0.000} / _{-.002} | 3.124 ^{+0.000} / _{-.002} | 3.125 ^{+0.002} / _{+0.000} | 8.00 |
| U18-2.75-37B | 2-3/4 | 3-1/8 | 3/8 | .413 ^{+0.015} / _{+0.000} | 2.750 ^{+0.000} / _{-.002} | 2.751 ^{+0.002} / _{+0.000} | 3.125 ^{+0.002} / _{+0.000} | 2.750 ^{+0.000} / _{-.002} | 3.124 ^{+0.000} / _{-.002} | 3.125 ^{+0.002} / _{+0.000} | 10.73 |
| U18-2.87 | 2-7/8 | 3-1/4 | 3/16 | .207 ^{+0.015} / _{+0.000} | 2.875 ^{+0.000} / _{-.002} | 2.876 ^{+0.002} / _{+0.000} | 3.250 ^{+0.002} / _{+0.000} | 2.875 ^{+0.000} / _{-.002} | 3.249 ^{+0.000} / _{-.002} | 3.250 ^{+0.002} / _{+0.000} | 7.96 |
| U18-2.87-25B | 2-7/8 | 3-1/4 | 1/4 | .275 ^{+0.015} / _{+0.000} | 2.875 ^{+0.000} / _{-.002} | 2.876 ^{+0.002} / _{+0.000} | 3.250 ^{+0.002} / _{+0.000} | 2.875 ^{+0.000} / _{-.002} | 3.249 ^{+0.000} / _{-.002} | 3.250 ^{+0.002} / _{+0.000} | 12.03 |
| U18-2.87-37B | 2-7/8 | 3-1/4 | 3/8 | .413 ^{+0.015} / _{+0.000} | 2.875 ^{+0.000} / _{-.002} | 2.876 ^{+0.002} / _{+0.000} | 3.250 ^{+0.002} / _{+0.000} | 2.875 ^{+0.000} / _{-.002} | 3.249 ^{+0.000} / _{-.002} | 3.250 ^{+0.002} / _{+0.000} | 11.50 |
| U18-2.87-37D | 2-7/8 | 3-1/4 | 3/8 | .413 ^{+0.015} / _{+0.000} | 2.875 ^{+0.000} / _{-.002} | 2.876 ^{+0.002} / _{+0.000} | 3.250 ^{+0.002} / _{+0.000} | 2.875 ^{+0.000} / _{-.002} | 3.249 ^{+0.000} / _{-.002} | 3.250 ^{+0.002} / _{+0.000} | 11.50 |
| U18-3.00 | 3 | 3-3/8 | 3/16 | .207 ^{+0.015} / _{+0.000} | 3.000 ^{+0.000} / _{-.002} | 3.001 ^{+0.002} / _{+0.000} | 3.375 ^{+0.002} / _{+0.000} | 3.000 ^{+0.000} / _{-.002} | 3.374 ^{+0.000} / _{-.002} | 3.375 ^{+0.002} / _{+0.000} | 8.50 |
| U18-3.00-SQB | 3 | 3-3/8 | 3/16 | .207 ^{+0.015} / _{+0.000} | 3.000 ^{+0.000} / _{-.002} | 3.001 ^{+0.002} / _{+0.000} | 3.375 ^{+0.002} / _{+0.000} | 3.000 ^{+0.000} / _{-.002} | 3.374 ^{+0.000} / _{-.002} | 3.375 ^{+0.002} / _{+0.000} | 8.50 |
| U18-3.00-31B | 3 | 3-3/8 | 5/16 | .344 ^{+0.015} / _{+0.000} | 3.000 ^{+0.000} / _{-.002} | 3.001 ^{+0.002} / _{+0.000} | 3.375 ^{+0.002} / _{+0.000} | 3.000 ^{+0.000} / _{-.002} | 3.374 ^{+0.000} / _{-.002} | 3.375 ^{+0.002} / _{+0.000} | 10.96 |
| U18-3.00-37B | 3 | 3-3/8 | 3/8 | .413 ^{+0.015} / _{+0.000} | 3.000 ^{+0.000} / _{-.002} | 3.001 ^{+0.002} / _{+0.000} | 3.375 ^{+0.002} / _{+0.000} | 3.000 ^{+0.000} / _{-.002} | 3.374 ^{+0.000} / _{-.002} | 3.375 ^{+0.002} / _{+0.000} | 11.92 |
| U18-3.12 | 3-1/8 | 3-1/2 | 3/16 | .207 ^{+0.015} / _{+0.000} | 3.125 ^{+0.000} / _{-.002} | 3.126 ^{+0.002} / _{+0.000} | 3.500 ^{+0.002} / _{+0.000} | 3.125 ^{+0.000} / _{-.002} | 3.499 ^{+0.000} / _{-.002} | 3.500 ^{+0.002} / _{+0.000} | 9.12 |
| U18-3.12-SQB | 3-1/8 | 3-1/2 | 3/16 | .207 ^{+0.015} / _{+0.000} | 3.125 ^{+0.000} / _{-.002} | 3.126 ^{+0.002} / _{+0.000} | 3.500 ^{+0.002} / _{+0.000} | 3.125 ^{+0.000} / _{-.002} | 3.499 ^{+0.000} / _{-.002} | 3.500 ^{+0.002} / _{+0.000} | 9.12 |
| U18-3.12-25B | 3-1/8 | 3-1/2 | 1/4 | .275 ^{+0.015} / _{+0.000} | 3.125 ^{+0.000} / _{-.002} | 3.126 ^{+0.002} / _{+0.000} | 3.500 ^{+0.002} / _{+0.000} | 3.125 ^{+0.000} / _{-.002} | 3.499 ^{+0.000} / _{-.002} | 3.500 ^{+0.002} / _{+0.000} | 12.14 |
| U18-3.12-37B | 3-1/8 | 3-1/2 | 3/8 | .413 ^{+0.015} / _{+0.000} | 3.125 ^{+0.000} / _{-.002} | 3.126 ^{+0.002} / _{+0.000} | 3.500 ^{+0.002} / _{+0.000} | 3.125 ^{+0.000} / _{-.002} | 3.499 ^{+0.000} / _{-.002} | 3.500 ^{+0.002} / _{+0.000} | 12.14 |
| U18-3.12-37D | 3-1/8 | 3-1/2 | 3/8 | .413 ^{+0.015} / _{+0.000} | 3.125 ^{+0.000} / _{-.002} | 3.126 ^{+0.002} / _{+0.000} | 3.500 ^{+0.002} / _{+0.000} | 3.125 ^{+0.000} / _{-.002} | 3.499 ^{+0.000} / _{-.002} | 3.500 ^{+0.002} / _{+0.000} | 14.85 |
| U18-3.25 | 3-1/4 | 3-5/8 | 3/16 | .207 ^{+0.015} / _{+0.000} | 3.250 ^{+0.000} / _{-.002} | 3.251 ^{+0.002} / _{+0.000} | 3.625 ^{+0.002} / _{+0.000} | 3.250 ^{+0.000} / _{-.002} | 3.624 ^{+0.000} / _{-.002} | 3.625 ^{+0.002} / _{+0.000} | 9.63 |
| U18-3.25-37B | 3-1/4 | 3-5/8 | 3/8 | .413 ^{+0.015} / _{+0.000} | 3.250 ^{+0.000} / _{-.002} | 3.251 ^{+0.002} / _{+0.000} | 3.625 ^{+0.002} / _{+0.000} | 3.250 ^{+0.000} / _{-.002} | 3.624 ^{+0.000} / _{-.002} | 3.625 ^{+0.002} / _{+0.000} | 13.44 |
| U18-3.37 | 3-3/8 | 3-3/4 | 3/16 | .207 ^{+0.015} / _{+0.000} | 3.375 ^{+0.000} / _{-.002} | 3.376 ^{+0.002} / _{+0.000} | 3.750 ^{+0.002} / _{+0.000} | 3.375 ^{+0.000} / _{-.002} | 3.749 ^{+0.000} / _{-.002} | 3.750 ^{+0.002} / _{+0.000} | 10.19 |
| U18-3.37-SQB | 3-3/8 | 3-3/4 | 3/16 | .207 ^{+0.015} / _{+0.000} | 3.375 ^{+0.000} / _{-.002} | 3.376 ^{+0.002} / _{+0.000} | 3.750 ^{+0.002} / _{+0.000} | 3.375 ^{+0.000} / _{-.002} | 3.749 ^{+0.000} / _{-.002} | 3.750 ^{+0.002} / _{+0.000} | 10.19 |
| U18-3.37-25B | 3-3/8 | 3-3/4 | 1/4 | .275 ^{+0.015} / _{+0.000} | 3.375 ^{+0.000} / _{-.002} | 3.376 ^{+0.002} / _{+0.000} | 3.750 ^{+0.002} / _{+0.000} | 3.375 ^{+0.000} / _{-.002} | 3.749 ^{+0.000} / _{-.002} | 3.750 ^{+0.002} / _{+0.000} | 13.87 |
| U18-3.37-37B | 3-3/8 | 3-3/4 | 3/8 | .413 ^{+0.015} / _{+0.000} | 3.375 ^{+0.000} / _{-.002} | 3.376 ^{+0.002} / _{+0.000} | 3.750 ^{+0.002} / _{+0.000} | 3.375 ^{+0.000} / _{-.002} | 3.749 ^{+0.000} / _{-.002} | 3.750 ^{+0.002} / _{+0.000} | 14.17 |
| U18-3.50 | 3-1/2 | 3-7/8 | 3/16 | .207 ^{+0.015} / _{+0.000} | 3.500 ^{+0.000} / _{-.002} | 3.501 ^{+0.002} / _{+0.000} | 3.875 ^{+0.002} / _{+0.000} | 3.500 ^{+0.000} / _{-.002} | 3.874 ^{+0.000} / _{-.002} | 3.875 ^{+0.002} / _{+0.000} | 12.23 |

NORTH AMERICA
PHONE 1-800-777-5617
FAX 1-800-759-6391

SALES OFFICE HOURS
8 A.M. TO 7:30 P.M. EASTERN TIME
www.HerculesUS.com

WORLDWIDE
PHONE 1-727-796-1300
FAX 1-727-797-8849



STYLE 800 POLYURETHANE U-SEALS

U-SEALS

| Part Number | A Nom. ID | B Nom. OD | C Nom. Ht | D GROOVE WIDTH | E ROD DIAMETER | F THROAT DIAMETER | G HOUSING DIAMETER | H GROOVE DIAMETER | I PISTON DIAMETER | J BORE DIAMETER | List Price |
|------------------|-----------|-----------|-----------|--|--|---|---|--|--|---|------------|
| U18-3.50-SQB | 3-1/2 | 3-7/8 | 3/16 | .207 ⁺⁰¹⁵ / ₊₀₀₀ | 3.500 ⁺⁰⁰⁰ / _{-.002} | 3.501 ⁺⁰⁰² / ₊₀₀₀ | 3.875 ⁺⁰⁰² / ₊₀₀₀ | 3.500 ⁺⁰⁰⁰ / _{-.002} | 3.874 ⁺⁰⁰⁰ / _{-.002} | 3.875 ⁺⁰⁰² / ₊₀₀₀ | 10.65 |
| U18-3.50-37B | 3-1/2 | 3-7/8 | 3/8 | .413 ⁺⁰¹⁵ / ₊₀₀₀ | 3.500 ⁺⁰⁰⁰ / _{-.002} | 3.501 ⁺⁰⁰² / ₊₀₀₀ | 3.875 ⁺⁰⁰² / ₊₀₀₀ | 3.500 ⁺⁰⁰⁰ / _{-.002} | 3.874 ⁺⁰⁰⁰ / _{-.002} | 3.875 ⁺⁰⁰² / ₊₀₀₀ | 14.23 |
| U18-3.62 | 3-5/8 | 4 | 3/16 | .207 ⁺⁰¹⁵ / ₊₀₀₀ | 3.625 ⁺⁰⁰⁰ / _{-.002} | 3.626 ⁺⁰⁰² / ₊₀₀₀ | 4.000 ⁺⁰⁰² / ₊₀₀₀ | 3.625 ⁺⁰⁰⁰ / _{-.002} | 3.999 ⁺⁰⁰⁰ / _{-.002} | 4.000 ⁺⁰⁰² / ₊₀₀₀ | 10.73 |
| U18-3.62-SQB | 3-5/8 | 4 | 3/16 | .207 ⁺⁰¹⁵ / ₊₀₀₀ | 3.625 ⁺⁰⁰⁰ / _{-.002} | 3.626 ⁺⁰⁰² / ₊₀₀₀ | 4.000 ⁺⁰⁰² / ₊₀₀₀ | 3.625 ⁺⁰⁰⁰ / _{-.002} | 3.999 ⁺⁰⁰⁰ / _{-.002} | 4.000 ⁺⁰⁰² / ₊₀₀₀ | 10.73 |
| U18-3.62-37B | 3-5/8 | 4 | 3/8 | .413 ⁺⁰¹⁵ / ₊₀₀₀ | 3.625 ⁺⁰⁰⁰ / _{-.002} | 3.626 ⁺⁰⁰² / ₊₀₀₀ | 4.000 ⁺⁰⁰² / ₊₀₀₀ | 3.625 ⁺⁰⁰⁰ / _{-.002} | 3.999 ⁺⁰⁰⁰ / _{-.002} | 4.000 ⁺⁰⁰² / ₊₀₀₀ | 15.70 |
| U18-3.75 | 3-3/4 | 4-1/8 | 3/16 | .207 ⁺⁰¹⁵ / ₊₀₀₀ | 3.750 ⁺⁰⁰⁰ / _{-.002} | 3.751 ⁺⁰⁰² / ₊₀₀₀ | 4.125 ⁺⁰⁰² / ₊₀₀₀ | 3.750 ⁺⁰⁰⁰ / _{-.002} | 4.124 ⁺⁰⁰⁰ / _{-.002} | 4.125 ⁺⁰⁰² / ₊₀₀₀ | 11.73 |
| U18-3.75-37B | 3-3/4 | 4-1/8 | 3/8 | .413 ⁺⁰¹⁵ / ₊₀₀₀ | 3.750 ⁺⁰⁰⁰ / _{-.002} | 3.751 ⁺⁰⁰² / ₊₀₀₀ | 4.125 ⁺⁰⁰² / ₊₀₀₀ | 3.750 ⁺⁰⁰⁰ / _{-.002} | 4.124 ⁺⁰⁰⁰ / _{-.002} | 4.125 ⁺⁰⁰² / ₊₀₀₀ | 16.62 |
| U18-3.87 | 3-7/8 | 4-1/4 | 3/16 | .207 ⁺⁰¹⁵ / ₊₀₀₀ | 3.875 ⁺⁰⁰⁰ / _{-.002} | 3.876 ⁺⁰⁰² / ₊₀₀₀ | 4.250 ⁺⁰⁰² / ₊₀₀₀ | 3.875 ⁺⁰⁰⁰ / _{-.002} | 4.249 ⁺⁰⁰⁰ / _{-.002} | 4.250 ⁺⁰⁰² / ₊₀₀₀ | 16.56 |
| U18-3.87-37B | 3-7/8 | 4-1/4 | 3/8 | .413 ⁺⁰¹⁵ / ₊₀₀₀ | 3.875 ⁺⁰⁰⁰ / _{-.002} | 3.876 ⁺⁰⁰² / ₊₀₀₀ | 4.250 ⁺⁰⁰² / ₊₀₀₀ | 3.875 ⁺⁰⁰⁰ / _{-.002} | 4.249 ⁺⁰⁰⁰ / _{-.002} | 4.250 ⁺⁰⁰² / ₊₀₀₀ | 17.39 |
| U18-4.00 | 4 | 4-3/8 | 3/16 | .207 ⁺⁰¹⁵ / ₊₀₀₀ | 4.000 ⁺⁰⁰⁰ / _{-.002} | 4.001 ⁺⁰⁰² / ₊₀₀₀ | 4.375 ⁺⁰⁰² / ₊₀₀₀ | 4.000 ⁺⁰⁰⁰ / _{-.002} | 4.374 ⁺⁰⁰⁰ / _{-.002} | 4.375 ⁺⁰⁰² / ₊₀₀₀ | 14.40 |
| U18-4.00-SQB | 4 | 4-3/8 | 3/16 | .207 ⁺⁰¹⁵ / ₊₀₀₀ | 4.000 ⁺⁰⁰⁰ / _{-.002} | 4.001 ⁺⁰⁰² / ₊₀₀₀ | 4.375 ⁺⁰⁰² / ₊₀₀₀ | 4.000 ⁺⁰⁰⁰ / _{-.002} | 4.374 ⁺⁰⁰⁰ / _{-.002} | 4.375 ⁺⁰⁰² / ₊₀₀₀ | 12.82 |
| U18-4.00-37B | 4 | 4-3/8 | 3/8 | .413 ⁺⁰¹⁵ / ₊₀₀₀ | 4.000 ⁺⁰⁰⁰ / _{-.002} | 4.001 ⁺⁰⁰² / ₊₀₀₀ | 4.375 ⁺⁰⁰² / ₊₀₀₀ | 4.000 ⁺⁰⁰⁰ / _{-.002} | 4.374 ⁺⁰⁰⁰ / _{-.002} | 4.375 ⁺⁰⁰² / ₊₀₀₀ | 17.48 |
| U18-4.12 | 4-1/8 | 4-1/2 | 3/16 | .207 ⁺⁰¹⁵ / ₊₀₀₀ | 4.125 ⁺⁰⁰⁰ / _{-.002} | 4.126 ⁺⁰⁰² / ₊₀₀₀ | 4.500 ⁺⁰⁰² / ₊₀₀₀ | 4.125 ⁺⁰⁰⁰ / _{-.002} | 4.499 ⁺⁰⁰⁰ / _{-.002} | 4.500 ⁺⁰⁰² / ₊₀₀₀ | 13.53 |
| U18-4.12-37B | 4-1/8 | 4-1/2 | 3/8 | .413 ⁺⁰¹⁵ / ₊₀₀₀ | 4.125 ⁺⁰⁰⁰ / _{-.002} | 4.126 ⁺⁰⁰² / ₊₀₀₀ | 4.500 ⁺⁰⁰² / ₊₀₀₀ | 4.125 ⁺⁰⁰⁰ / _{-.002} | 4.499 ⁺⁰⁰⁰ / _{-.002} | 4.500 ⁺⁰⁰² / ₊₀₀₀ | 18.20 |
| U18-4.12-37D | 4-1/8 | 4-1/2 | 3/8 | .413 ⁺⁰¹⁵ / ₊₀₀₀ | 4.125 ⁺⁰⁰⁰ / _{-.002} | 4.126 ⁺⁰⁰² / ₊₀₀₀ | 4.500 ⁺⁰⁰² / ₊₀₀₀ | 4.125 ⁺⁰⁰⁰ / _{-.002} | 4.499 ⁺⁰⁰⁰ / _{-.002} | 4.500 ⁺⁰⁰² / ₊₀₀₀ | 19.13 |
| U18-4.25 | 4-1/4 | 4-5/8 | 3/16 | .207 ⁺⁰¹⁵ / ₊₀₀₀ | 4.250 ⁺⁰⁰⁰ / _{-.002} | 4.251 ⁺⁰⁰² / ₊₀₀₀ | 4.625 ⁺⁰⁰² / ₊₀₀₀ | 4.250 ⁺⁰⁰⁰ / _{-.002} | 4.624 ⁺⁰⁰⁰ / _{-.002} | 4.625 ⁺⁰⁰² / ₊₀₀₀ | 14.02 |
| U18-4.25-37B | 4-1/4 | 4-5/8 | 3/8 | .413 ⁺⁰¹⁵ / ₊₀₀₀ | 4.250 ⁺⁰⁰⁰ / _{-.002} | 4.251 ⁺⁰⁰² / ₊₀₀₀ | 4.625 ⁺⁰⁰² / ₊₀₀₀ | 4.250 ⁺⁰⁰⁰ / _{-.002} | 4.624 ⁺⁰⁰⁰ / _{-.002} | 4.625 ⁺⁰⁰² / ₊₀₀₀ | 18.98 |
| U18-4.37 | 4-3/8 | 4-3/4 | 3/16 | .207 ⁺⁰¹⁵ / ₊₀₀₀ | 4.375 ⁺⁰⁰⁰ / _{-.002} | 4.376 ⁺⁰⁰² / ₊₀₀₀ | 4.750 ⁺⁰⁰² / ₊₀₀₀ | 4.375 ⁺⁰⁰⁰ / _{-.002} | 4.749 ⁺⁰⁰⁰ / _{-.002} | 4.750 ⁺⁰⁰² / ₊₀₀₀ | 14.42 |
| U18-4.37-37B | 4-3/8 | 4-3/4 | 3/8 | .413 ⁺⁰¹⁵ / ₊₀₀₀ | 4.375 ⁺⁰⁰⁰ / _{-.002} | 4.376 ⁺⁰⁰² / ₊₀₀₀ | 4.750 ⁺⁰⁰² / ₊₀₀₀ | 4.375 ⁺⁰⁰⁰ / _{-.002} | 4.749 ⁺⁰⁰⁰ / _{-.002} | 4.750 ⁺⁰⁰² / ₊₀₀₀ | 19.25 |
| U18-4.50 | 4-1/2 | 4-7/8 | 3/16 | .207 ⁺⁰¹⁵ / ₊₀₀₀ | 4.500 ⁺⁰⁰⁰ / _{-.002} | 4.501 ⁺⁰⁰² / ₊₀₀₀ | 4.875 ⁺⁰⁰² / ₊₀₀₀ | 4.500 ⁺⁰⁰⁰ / _{-.002} | 4.874 ⁺⁰⁰⁰ / _{-.002} | 4.875 ⁺⁰⁰² / ₊₀₀₀ | 14.47 |
| U18-4.50-37B | 4-1/2 | 4-7/8 | 3/8 | .413 ⁺⁰¹⁵ / ₊₀₀₀ | 4.500 ⁺⁰⁰⁰ / _{-.002} | 4.501 ⁺⁰⁰² / ₊₀₀₀ | 4.875 ⁺⁰⁰² / ₊₀₀₀ | 4.500 ⁺⁰⁰⁰ / _{-.002} | 4.874 ⁺⁰⁰⁰ / _{-.002} | 4.875 ⁺⁰⁰² / ₊₀₀₀ | 21.04 |
| U18-4.62 | 4-5/8 | 5 | 3/16 | .207 ⁺⁰¹⁵ / ₊₀₀₀ | 4.625 ⁺⁰⁰⁰ / _{-.002} | 4.626 ⁺⁰⁰² / ₊₀₀₀ | 5.000 ⁺⁰⁰² / ₊₀₀₀ | 4.625 ⁺⁰⁰⁰ / _{-.002} | 4.999 ⁺⁰⁰⁰ / _{-.002} | 5.000 ⁺⁰⁰² / ₊₀₀₀ | 14.82 |
| U18-4.62-37D | 4-5/8 | 5 | 3/8 | .413 ⁺⁰¹⁵ / ₊₀₀₀ | 4.625 ⁺⁰⁰⁰ / _{-.002} | 4.626 ⁺⁰⁰² / ₊₀₀₀ | 5.000 ⁺⁰⁰² / ₊₀₀₀ | 4.625 ⁺⁰⁰⁰ / _{-.002} | 4.999 ⁺⁰⁰⁰ / _{-.002} | 5.000 ⁺⁰⁰² / ₊₀₀₀ | 21.08 |
| U18-4.75 | 4-3/4 | 5-1/8 | 3/16 | .207 ⁺⁰¹⁵ / ₊₀₀₀ | 4.750 ⁺⁰⁰⁰ / _{-.002} | 4.751 ⁺⁰⁰² / ₊₀₀₀ | 5.125 ⁺⁰⁰² / ₊₀₀₀ | 4.750 ⁺⁰⁰⁰ / _{-.002} | 5.124 ⁺⁰⁰⁰ / _{-.002} | 5.125 ⁺⁰⁰² / ₊₀₀₀ | 15.42 |
| U18-4.87 | 4-7/8 | 5-1/4 | 3/16 | .207 ⁺⁰¹⁵ / ₊₀₀₀ | 4.875 ⁺⁰⁰⁰ / _{-.002} | 4.876 ⁺⁰⁰² / ₊₀₀₀ | 5.250 ⁺⁰⁰² / ₊₀₀₀ | 4.875 ⁺⁰⁰⁰ / _{-.002} | 5.249 ⁺⁰⁰⁰ / _{-.002} | 5.250 ⁺⁰⁰² / ₊₀₀₀ | 16.34 |
| U18-5.00 | 5 | 5-3/8 | 3/16 | .207 ⁺⁰¹⁵ / ₊₀₀₀ | 5.000 ⁺⁰⁰⁰ / _{-.002} | 5.001 ⁺⁰⁰² / ₊₀₀₀ | 5.375 ⁺⁰⁰² / ₊₀₀₀ | 5.000 ⁺⁰⁰⁰ / _{-.002} | 5.374 ⁺⁰⁰⁰ / _{-.002} | 5.375 ⁺⁰⁰² / ₊₀₀₀ | 19.06 |
| U18-5.00-31D | 5 | 5-3/8 | 5/16 | .344 ⁺⁰¹⁵ / ₊₀₀₀ | 5.000 ⁺⁰⁰⁰ / _{-.002} | 5.001 ⁺⁰⁰² / ₊₀₀₀ | 5.375 ⁺⁰⁰² / ₊₀₀₀ | 5.000 ⁺⁰⁰⁰ / _{-.002} | 5.374 ⁺⁰⁰⁰ / _{-.002} | 5.375 ⁺⁰⁰² / ₊₀₀₀ | 26.83 |
| U18-5.00-37D | 5 | 5-3/8 | 3/8 | .413 ⁺⁰¹⁵ / ₊₀₀₀ | 5.000 ⁺⁰⁰⁰ / _{-.002} | 5.001 ⁺⁰⁰² / ₊₀₀₀ | 5.375 ⁺⁰⁰² / ₊₀₀₀ | 5.000 ⁺⁰⁰⁰ / _{-.002} | 5.374 ⁺⁰⁰⁰ / _{-.002} | 5.375 ⁺⁰⁰² / ₊₀₀₀ | 26.83 |
| U18-6.00 | 6 | 6-3/8 | 3/16 | .207 ⁺⁰¹⁵ / ₊₀₀₀ | 6.000 ⁺⁰⁰⁰ / _{-.002} | 6.001 ⁺⁰⁰² / ₊₀₀₀ | 6.375 ⁺⁰⁰² / ₊₀₀₀ | 6.000 ⁺⁰⁰⁰ / _{-.002} | 6.374 ⁺⁰⁰⁰ / _{-.002} | 6.375 ⁺⁰⁰² / ₊₀₀₀ | 20.11 |
| 7/32" C/S | | | | | | | | | | | |
| U21-2.50-SQB | 2-1/2 | 2-15/16 | 7/32 | .241 ⁺⁰¹⁵ / ₊₀₀₀ | 2.500 ⁺⁰⁰⁰ / _{-.002} | 2.501 ⁺⁰⁰² / ₊₀₀₀ | 2.938 ⁺⁰⁰² / ₊₀₀₀ | 2.500 ⁺⁰⁰⁰ / _{-.002} | 2.936 ⁺⁰⁰⁰ / _{-.002} | 2.938 ⁺⁰⁰² / ₊₀₀₀ | \$ 12.80 |
| U21-2.81 | 2-13/16 | 3-1/4 | 7/32 | .241 ⁺⁰¹⁵ / ₊₀₀₀ | 2.812 ⁺⁰⁰⁰ / _{-.002} | 2.814 ⁺⁰⁰² / ₊₀₀₀ | 3.250 ⁺⁰⁰² / ₊₀₀₀ | 2.812 ⁺⁰⁰⁰ / _{-.002} | 3.249 ⁺⁰⁰⁰ / _{-.002} | 3.250 ⁺⁰⁰² / ₊₀₀₀ | 12.21 |
| U21-3.00 | 3 | 3-7/16 | 7/32 | .241 ⁺⁰¹⁵ / ₊₀₀₀ | 3.000 ⁺⁰⁰⁰ / _{-.002} | 3.001 ⁺⁰⁰² / ₊₀₀₀ | 3.438 ⁺⁰⁰² / ₊₀₀₀ | 3.000 ⁺⁰⁰⁰ / _{-.002} | 3.436 ⁺⁰⁰⁰ / _{-.002} | 3.438 ⁺⁰⁰² / ₊₀₀₀ | 11.78 |

FORMERLY LISTED SEALS ARE AVAILABLE ONLINE AT WWW.HERCULESUS.COM
OR BY CONTACTING YOUR REGIONAL HERCULES SALES TEAM.



STYLE 800 POLYURETHANE U-SEALS

U-SEALS

| Part Number | A Nom. ID | B Nom. OD | C Nom. Ht | D GROOVE WIDTH | E ROD DIAMETER | F THROAT DIAMETER | G HOUSING DIAMETER | H GROOVE DIAMETER | I PISTON DIAMETER | J BORE DIAMETER | List Price |
|-----------------|-----------------|-----------------|-----------------|--------------------------|---------------------------|---------------------------|---------------------------|---------------------------|---------------------------|---------------------------|---------------|
| 1/4" C/S | | | | | | | | | | | |
| U25-0.25 | 1/4 | 3/4 | 1/4 | .275 +0.015 +0.000 | .250 +0.000 -0.002 | .251 +0.003 +0.000 | .750 +0.003 +0.000 | .250 +0.000 -0.003 | .749 +0.000 -0.002 | .750 +0.003 +0.000 | \$5.62 |
| U25-0.31 | 5/16 | 13/16 | 1/4 | .275 +0.015 +0.000 | .312 +0.000 -0.002 | .313 +0.003 +0.000 | .813 +0.003 +0.000 | .312 +0.000 -0.003 | .812 +0.000 -0.002 | .813 +0.003 +0.000 | 5.51 |
| U25-0.37 | 3/8 | 7/8 | 1/4 | .275 +0.015 +0.000 | .375 +0.000 -0.002 | .376 +0.003 +0.000 | .875 +0.003 +0.000 | .375 +0.000 -0.003 | .874 +0.000 -0.002 | .875 +0.003 +0.000 | 5.62 |
| U25-0.43 | 7/16 | 15/16 | 1/4 | .275 +0.015 +0.000 | .437 +0.000 -0.002 | .438 +0.003 +0.000 | .938 +0.003 +0.000 | .437 +0.000 -0.003 | .936 +0.000 -0.002 | .938 +0.003 +0.000 | 5.62 |
| U25-0.43-37B | 7/16 | 15/16 | 3/8 | .413 +0.015 +0.000 | .437 +0.000 -0.002 | .438 +0.003 +0.000 | .938 +0.003 +0.000 | .437 +0.000 -0.003 | .936 +0.000 -0.002 | .938 +0.003 +0.000 | 5.72 |
| U25-0.50 | 1/2 | 1 | 1/4 | .275 +0.015 +0.000 | .500 +0.000 -0.002 | .501 +0.003 +0.000 | 1.000 +0.003 +0.000 | .500 +0.000 -0.003 | .999 +0.000 -0.002 | 1.000 +0.003 +0.000 | 5.62 |
| U25-0.50-37B | 1/2 | 1 | 3/8 | .413 +0.015 +0.000 | .500 +0.000 -0.002 | .501 +0.003 +0.000 | 1.000 +0.003 +0.000 | .500 +0.000 -0.003 | .999 +0.000 -0.002 | 1.000 +0.003 +0.000 | 5.83 |
| U25-0.56 | 9/16 | 1-1/16 | 1/4 | .275 +0.015 +0.000 | .562 +0.000 -0.002 | .563 +0.003 +0.000 | 1.063 +0.003 +0.000 | .562 +0.000 -0.003 | 1.061 +0.000 -0.002 | 1.063 +0.003 +0.000 | 5.62 |
| U25-0.62 | 5/8 | 1-1/8 | 1/4 | .275 +0.015 +0.000 | .625 +0.000 -0.002 | .626 +0.003 +0.000 | 1.125 +0.003 +0.000 | .625 +0.000 -0.003 | 1.124 +0.000 -0.002 | 1.125 +0.003 +0.000 | 5.62 |
| U25-0.62-37B | 5/8 | 1-1/8 | 3/8 | .413 +0.015 +0.000 | .625 +0.000 -0.002 | .626 +0.003 +0.000 | 1.125 +0.003 +0.000 | .625 +0.000 -0.003 | 1.124 +0.000 -0.002 | 1.125 +0.003 +0.000 | 6.05 |
| U25-0.68 | 11/16 | 1-3/16 | 1/4 | .275 +0.015 +0.000 | .687 +0.000 -0.002 | .688 +0.003 +0.000 | 1.188 +0.003 +0.000 | .687 +0.000 -0.003 | 1.186 +0.000 -0.002 | 1.188 +0.003 +0.000 | 5.62 |
| U25-0.68-37B | 11/16 | 1-3/16 | 3/8 | .413 +0.015 +0.000 | .687 +0.000 -0.002 | .688 +0.003 +0.000 | 1.188 +0.003 +0.000 | .687 +0.000 -0.003 | 1.186 +0.000 -0.002 | 1.188 +0.003 +0.000 | 6.05 |
| U25-0.75 | 3/4 | 1-1/4 | 1/4 | .275 +0.015 +0.000 | .750 +0.000 -0.002 | .751 +0.003 +0.000 | 1.250 +0.003 +0.000 | .750 +0.000 -0.003 | 1.249 +0.000 -0.002 | 1.250 +0.003 +0.000 | 5.31 |
| U25-0.75-SQB | 3/4 | 1-1/4 | 1/4 | .275 +0.015 +0.000 | .750 +0.000 -0.002 | .751 +0.003 +0.000 | 1.250 +0.003 +0.000 | .750 +0.000 -0.003 | 1.249 +0.000 -0.002 | 1.250 +0.003 +0.000 | 5.62 |
| U25-0.75-37B | 3/4 | 1-1/4 | 3/8 | .413 +0.015 +0.000 | .750 +0.000 -0.002 | .751 +0.003 +0.000 | 1.250 +0.003 +0.000 | .750 +0.000 -0.003 | 1.249 +0.000 -0.002 | 1.250 +0.003 +0.000 | 6.05 |
| U25-0.81 | 13/16 | 1-5/16 | 1/4 | .275 +0.015 +0.000 | .812 +0.000 -0.002 | .813 +0.003 +0.000 | 1.313 +0.003 +0.000 | .812 +0.000 -0.003 | 1.311 +0.000 -0.002 | 1.313 +0.003 +0.000 | 5.35 |
| U25-0.81-37B | 13/16 | 1-5/16 | 3/8 | .413 +0.015 +0.000 | .812 +0.000 -0.002 | .813 +0.003 +0.000 | 1.313 +0.003 +0.000 | .812 +0.000 -0.003 | 1.311 +0.000 -0.002 | 1.313 +0.003 +0.000 | 6.99 |
| U25-0.87-SQB | 7/8 | 1-3/8 | 1/4 | .275 +0.015 +0.000 | .875 +0.000 -0.002 | .876 +0.003 +0.000 | 1.375 +0.003 +0.000 | .875 +0.000 -0.003 | 1.374 +0.000 -0.002 | 1.375 +0.003 +0.000 | 5.72 |
| U25-0.87-37B | 7/8 | 1-3/8 | 3/8 | .413 +0.015 +0.000 | .875 +0.000 -0.002 | .876 +0.003 +0.000 | 1.375 +0.003 +0.000 | .875 +0.000 -0.003 | 1.374 +0.000 -0.002 | 1.375 +0.003 +0.000 | 6.29 |
| U25-0.87-37D | 7/8 | 1-3/8 | 3/8 | .413 +0.015 +0.000 | .875 +0.000 -0.002 | .876 +0.003 +0.000 | 1.375 +0.003 +0.000 | .875 +0.000 -0.003 | 1.374 +0.000 -0.002 | 1.375 +0.003 +0.000 | 8.11 |
| U25-0.93 | 15/16 | 1-7/16 | 1/4 | .275 +0.015 +0.000 | .937 +0.000 -0.002 | .938 +0.003 +0.000 | 1.438 +0.003 +0.000 | .937 +0.000 -0.003 | 1.436 +0.000 -0.002 | 1.438 +0.003 +0.000 | 5.74 |
| U25-1.00 | 1 | 1-1/2 | 1/4 | .275 +0.015 +0.000 | 1.000 +0.000 -0.002 | 1.001 +0.003 +0.000 | 1.500 +0.003 +0.000 | 1.000 +0.000 -0.003 | 1.499 +0.000 -0.002 | 1.500 +0.003 +0.000 | 5.50 |
| U25-1.00-SQB | 1 | 1-1/2 | 1/4 | .275 +0.015 +0.000 | 1.000 +0.000 -0.002 | 1.001 +0.003 +0.000 | 1.500 +0.003 +0.000 | 1.000 +0.000 -0.003 | 1.499 +0.000 -0.002 | 1.500 +0.003 +0.000 | 5.50 |
| U25-1.00-37B | 1 | 1-1/2 | 3/8 | .413 +0.015 +0.000 | 1.000 +0.000 -0.002 | 1.001 +0.003 +0.000 | 1.500 +0.003 +0.000 | 1.000 +0.000 -0.003 | 1.499 +0.000 -0.002 | 1.500 +0.003 +0.000 | 6.11 |
| U25-1.00-37D | 1 | 1-1/2 | 3/8 | .413 +0.015 +0.000 | 1.000 +0.000 -0.002 | 1.001 +0.003 +0.000 | 1.500 +0.003 +0.000 | 1.000 +0.000 -0.003 | 1.499 +0.000 -0.002 | 1.500 +0.003 +0.000 | 7.01 |
| U25-1.06 | 1-1/16 | 1-9/16 | 1/4 | .275 +0.015 +0.000 | 1.062 +0.000 -0.002 | 1.063 +0.003 +0.000 | 1.563 +0.003 +0.000 | 1.062 +0.000 -0.003 | 1.561 +0.000 -0.002 | 1.563 +0.003 +0.000 | 5.89 |
| U25-1.09 | 1-3/32 | 1-19/32 | 1/4 | .275 +0.015 +0.000 | 1.093 +0.000 -0.002 | 1.095 +0.003 +0.000 | 1.594 +0.003 +0.000 | 1.093 +0.000 -0.003 | 1.593 +0.000 -0.002 | 1.594 +0.003 +0.000 | 5.71 |
| U25-1.12 | 1-1/8 | 1-5/8 | 1/4 | .275 +0.015 +0.000 | 1.125 +0.000 -0.002 | 1.126 +0.003 +0.000 | 1.625 +0.003 +0.000 | 1.125 +0.000 -0.003 | 1.624 +0.000 -0.002 | 1.625 +0.003 +0.000 | 5.72 |
| U25-1.12-SQB | 1-1/8 | 1-5/8 | 1/4 | .275 +0.015 +0.000 | 1.125 +0.000 -0.002 | 1.126 +0.003 +0.000 | 1.625 +0.003 +0.000 | 1.125 +0.000 -0.003 | 1.624 +0.000 -0.002 | 1.625 +0.003 +0.000 | 8.06 |
| U25-1.12-37B | 1-1/8 | 1-5/8 | 3/8 | .413 +0.015 +0.000 | 1.125 +0.000 -0.002 | 1.126 +0.003 +0.000 | 1.625 +0.003 +0.000 | 1.125 +0.000 -0.003 | 1.624 +0.000 -0.002 | 1.625 +0.003 +0.000 | 6.58 |
| U25-1.18 | 1-3/16 | 1-11/16 | 1/4 | .275 +0.015 +0.000 | 1.187 +0.000 -0.002 | 1.188 +0.003 +0.000 | 1.688 +0.003 +0.000 | 1.187 +0.000 -0.003 | 1.686 +0.000 -0.002 | 1.688 +0.003 +0.000 | 6.02 |
| U25-1.25 | 1-1/4 | 1-3/4 | 1/4 | .275 +0.015 +0.000 | 1.250 +0.000 -0.002 | 1.251 +0.003 +0.000 | 1.750 +0.003 +0.000 | 1.250 +0.000 -0.003 | 1.749 +0.000 -0.002 | 1.750 +0.003 +0.000 | 5.83 |

NORTH AMERICA
PHONE 1-800-777-5617
FAX 1-800-759-6391

SALES OFFICE HOURS
8 A.M. TO 7:30 P.M. EASTERN TIME
www.HerculesUS.com

WORLDWIDE
PHONE 1-727-796-1300
FAX 1-727-797-8849



STYLE 800 POLYURETHANE U-SEALS

| Part Number | A Nom. ID | B Nom. OD | C Nom. Ht | D GROOVE WIDTH | E ROD DIAMETER | F THROAT DIAMETER | G HOUSING DIAMETER | H GROOVE DIAMETER | I PISTON DIAMETER | J BORE DIAMETER | List Price |
|--------------|-----------|-----------|-----------|---------------------|----------------------|----------------------|----------------------|----------------------|----------------------|----------------------|------------|
| U25-1.25-SQB | 1-1/4 | 1-3/4 | 1/4 | .275 +.015 +.000 | 1.250 +.000 -.002 | 1.251 +.003 +.000 | 1.750 +.003 +.000 | 1.250 +.000 -.003 | 1.749 +.000 -.002 | 1.750 +.003 +.000 | 5.83 |
| U25-1.25-37B | 1-1/4 | 1-3/4 | 3/8 | .413 +.015 +.000 | 1.250 +.000 -.002 | 1.251 +.003 +.000 | 1.750 +.003 +.000 | 1.250 +.000 -.003 | 1.749 +.000 -.002 | 1.750 +.003 +.000 | 6.60 |
| U25-1.25-37D | 1-1/4 | 1-3/4 | 3/8 | .413 +.015 +.000 | 1.250 +.000 -.002 | 1.251 +.003 +.000 | 1.750 +.003 +.000 | 1.250 +.000 -.003 | 1.749 +.000 -.002 | 1.750 +.003 +.000 | 6.60 |
| U25-1.31 | 1-5/16 | 1-13/16 | 1/4 | .275 +.015 +.000 | 1.312 +.000 -.002 | 1.313 +.003 +.000 | 1.813 +.003 +.000 | 1.312 +.000 -.003 | 1.811 +.000 -.002 | 1.813 +.003 +.000 | 6.31 |
| U25-1.31-37B | 1-5/16 | 1-13/16 | 3/8 | .413 +.015 +.000 | 1.312 +.000 -.002 | 1.313 +.003 +.000 | 1.813 +.003 +.000 | 1.312 +.000 -.003 | 1.811 +.000 -.002 | 1.813 +.003 +.000 | 6.60 |
| U25-1.37 | 1-3/8 | 1-7/8 | 1/4 | .275 +.015 +.000 | 1.375 +.000 -.002 | 1.376 +.003 +.000 | 1.875 +.003 +.000 | 1.375 +.000 -.003 | 1.874 +.000 -.002 | 1.875 +.003 +.000 | 7.43 |
| U25-1.37-SQB | 1-3/8 | 1-7/8 | 1/4 | .275 +.015 +.000 | 1.375 +.000 -.002 | 1.376 +.003 +.000 | 1.875 +.003 +.000 | 1.375 +.000 -.003 | 1.874 +.000 -.002 | 1.875 +.003 +.000 | 6.58 |
| U25-1.37-37B | 1-3/8 | 1-7/8 | 3/8 | .413 +.015 +.000 | 1.375 +.000 -.002 | 1.376 +.003 +.000 | 1.875 +.003 +.000 | 1.375 +.000 -.003 | 1.874 +.000 -.002 | 1.875 +.003 +.000 | 6.83 |
| U25-1.43 | 1-7/16 | 1-15/16 | 1/4 | .275 +.015 +.000 | 1.437 +.000 -.002 | 1.438 +.003 +.000 | 1.938 +.003 +.000 | 1.437 +.000 -.003 | 1.936 +.000 -.002 | 1.938 +.003 +.000 | 6.75 |
| U25-1.43-37B | 1-7/16 | 1-15/16 | 3/8 | .413 +.015 +.000 | 1.437 +.000 -.002 | 1.438 +.003 +.000 | 1.938 +.003 +.000 | 1.437 +.000 -.003 | 1.936 +.000 -.002 | 1.938 +.003 +.000 | 7.16 |
| U25-1.50 | 1-1/2 | 2 | 1/4 | .275 +.015 +.000 | 1.500 +.000 -.002 | 1.501 +.003 +.000 | 2.000 +.003 +.000 | 1.500 +.000 -.003 | 1.999 +.000 -.002 | 2.000 +.003 +.000 | 6.75 |
| U25-1.50-SQB | 1-1/2 | 2 | 1/4 | .275 +.015 +.000 | 1.500 +.000 -.002 | 1.501 +.003 +.000 | 2.000 +.003 +.000 | 1.500 +.000 -.003 | 1.999 +.000 -.002 | 2.000 +.003 +.000 | 6.63 |
| U25-1.50-31B | 1-1/2 | 2 | 5/16 | .344 +.015 +.000 | 1.500 +.000 -.002 | 1.501 +.003 +.000 | 2.000 +.003 +.000 | 1.500 +.000 -.003 | 1.999 +.000 -.002 | 2.000 +.003 +.000 | 7.50 |
| U25-1.50-37B | 1-1/2 | 2 | 3/8 | .413 +.015 +.000 | 1.500 +.000 -.002 | 1.501 +.003 +.000 | 2.000 +.003 +.000 | 1.500 +.000 -.003 | 1.999 +.000 -.002 | 2.000 +.003 +.000 | 7.50 |
| U25-1.50-37D | 1-1/2 | 2 | 3/8 | .413 +.015 +.000 | 1.500 +.000 -.002 | 1.501 +.003 +.000 | 2.000 +.003 +.000 | 1.500 +.000 -.003 | 1.999 +.000 -.002 | 2.000 +.003 +.000 | 8.29 |
| U25-1.50-50B | 1-1/2 | 2 | 1/2 | .550 +.015 +.000 | 1.500 +.000 -.002 | 1.501 +.003 +.000 | 2.000 +.003 +.000 | 1.500 +.000 -.003 | 1.999 +.000 -.002 | 2.000 +.003 +.000 | 7.89 |
| U25-1.62 | 1-5/8 | 2-1/8 | 1/4 | .275 +.015 +.000 | 1.625 +.000 -.002 | 1.626 +.003 +.000 | 2.125 +.003 +.000 | 1.625 +.000 -.003 | 2.124 +.000 -.002 | 2.125 +.003 +.000 | 7.38 |
| U25-1.62-37B | 1-5/8 | 2-1/8 | 3/8 | .413 +.015 +.000 | 1.625 +.000 -.002 | 1.626 +.003 +.000 | 2.125 +.003 +.000 | 1.625 +.000 -.003 | 2.124 +.000 -.002 | 2.125 +.003 +.000 | 8.17 |
| U25-1.75 | 1-3/4 | 2-1/4 | 1/4 | .275 +.015 +.000 | 1.750 +.000 -.002 | 1.751 +.003 +.000 | 2.250 +.003 +.000 | 1.750 +.000 -.003 | 2.249 +.000 -.002 | 2.250 +.003 +.000 | 7.71 |
| U25-1.75-SQB | 1-3/4 | 2-1/4 | 1/4 | .275 +.015 +.000 | 1.750 +.000 -.002 | 1.751 +.003 +.000 | 2.250 +.003 +.000 | 1.750 +.000 -.003 | 2.249 +.000 -.002 | 2.250 +.003 +.000 | 11.74 |
| U25-1.75-31B | 1-3/4 | 2-1/4 | 5/16 | .344 +.015 +.000 | 1.750 +.000 -.002 | 1.751 +.003 +.000 | 2.250 +.003 +.000 | 1.750 +.000 -.003 | 2.249 +.000 -.002 | 2.250 +.003 +.000 | 9.12 |
| U25-1.75-37B | 1-3/4 | 2-1/4 | 3/8 | .413 +.015 +.000 | 1.750 +.000 -.002 | 1.751 +.003 +.000 | 2.250 +.003 +.000 | 1.750 +.000 -.003 | 2.249 +.000 -.002 | 2.250 +.003 +.000 | 8.20 |
| U25-1.75-37D | 1-3/4 | 2-1/4 | 3/8 | .413 +.015 +.000 | 1.750 +.000 -.002 | 1.751 +.003 +.000 | 2.250 +.003 +.000 | 1.750 +.000 -.003 | 2.249 +.000 -.002 | 2.250 +.003 +.000 | 8.35 |
| U25-1.87 | 1-7/8 | 2-3/8 | 1/4 | .275 +.015 +.000 | 1.875 +.000 -.002 | 1.876 +.003 +.000 | 2.375 +.003 +.000 | 1.875 +.000 -.003 | 2.374 +.000 -.002 | 2.375 +.003 +.000 | 8.17 |
| U25-1.87-37B | 1-7/8 | 2-3/8 | 3/8 | .413 +.015 +.000 | 1.875 +.000 -.002 | 1.876 +.003 +.000 | 2.375 +.003 +.000 | 1.875 +.000 -.003 | 2.374 +.000 -.002 | 2.375 +.003 +.000 | 9.00 |
| U25-2.00 | 2 | 2-1/2 | 1/4 | .275 +.015 +.000 | 2.000 +.000 -.002 | 2.001 +.003 +.000 | 2.500 +.003 +.000 | 2.000 +.000 -.003 | 2.499 +.000 -.002 | 2.500 +.003 +.000 | 8.26 |
| U25-2.00-SQB | 2 | 2-1/2 | 1/4 | .275 +.015 +.000 | 2.000 +.000 -.002 | 2.001 +.003 +.000 | 2.500 +.003 +.000 | 2.000 +.000 -.003 | 2.499 +.000 -.002 | 2.500 +.003 +.000 | 8.20 |
| U25-2.00-31B | 2 | 2-1/2 | 5/16 | .344 +.015 +.000 | 2.000 +.000 -.002 | 2.001 +.003 +.000 | 2.500 +.003 +.000 | 2.000 +.000 -.003 | 2.499 +.000 -.002 | 2.500 +.003 +.000 | 8.19 |
| U25-2.00-37B | 2 | 2-1/2 | 3/8 | .413 +.015 +.000 | 2.000 +.000 -.002 | 2.001 +.003 +.000 | 2.500 +.003 +.000 | 2.000 +.000 -.003 | 2.499 +.000 -.002 | 2.500 +.003 +.000 | 8.98 |
| U25-2.00-37D | 2 | 2-1/2 | 3/8 | .413 +.015 +.000 | 2.000 +.000 -.002 | 2.001 +.003 +.000 | 2.500 +.003 +.000 | 2.000 +.000 -.003 | 2.499 +.000 -.002 | 2.500 +.003 +.000 | 8.98 |
| U25-2.12 | 2-1/8 | 2-5/8 | 1/4 | .275 +.015 +.000 | 2.125 +.000 -.002 | 2.126 +.003 +.000 | 2.625 +.003 +.000 | 2.125 +.000 -.003 | 2.624 +.000 -.002 | 2.625 +.003 +.000 | 9.05 |
| U25-2.12-37B | 2-1/8 | 2-5/8 | 3/8 | .413 +.015 +.000 | 2.125 +.000 -.002 | 2.126 +.003 +.000 | 2.625 +.003 +.000 | 2.125 +.000 -.003 | 2.624 +.000 -.002 | 2.625 +.003 +.000 | 9.99 |
| U25-2.18-37B | 2-3/16 | 2-11/16 | 3/8 | .413 +.015 +.000 | 2.187 +.000 -.002 | 2.189 +.003 +.000 | 2.688 +.003 +.000 | 2.187 +.000 -.003 | 2.687 +.000 -.002 | 2.688 +.003 +.000 | 10.65 |

U-SEALS

FORMERLY LISTED SEALS ARE AVAILABLE ONLINE AT WWW.HERCULESUS.COM
OR BY CONTACTING YOUR REGIONAL HERCULES SALES TEAM.



STYLE 800 POLYURETHANE U-SEALS

U-SEALS

| Part Number | A Nom. ID | B Nom. OD | C Nom. Ht | D GROOVE WIDTH | E ROD DIAMETER | F THROAT DIAMETER | G HOUSING DIAMETER | H GROOVE DIAMETER | I PISTON DIAMETER | J BORE DIAMETER | List Price |
|--------------|-----------------|-----------------|-----------------|--|--|---|---|--|--|---|---------------|
| U25-2.25 | 2-1/4 | 2-3/4 | 1/4 | .275 ^{+0.015} / _{+0.000} | 2.250 ^{+0.000} / _{-.002} | 2.251 ^{+0.003} / _{+0.000} | 2.750 ^{+0.003} / _{+0.000} | 2.250 ^{+0.003} / _{-.003} | 2.749 ^{+0.000} / _{-.002} | 2.750 ^{+0.003} / _{+0.000} | 9.43 |
| U25-2.25-37B | 2-1/4 | 2-3/4 | 3/8 | .413 ^{+0.015} / _{+0.000} | 2.250 ^{+0.000} / _{-.002} | 2.251 ^{+0.003} / _{+0.000} | 2.750 ^{+0.003} / _{+0.000} | 2.250 ^{+0.003} / _{-.003} | 2.749 ^{+0.000} / _{-.002} | 2.750 ^{+0.003} / _{+0.000} | 10.08 |
| U25-2.25-37D | 2-1/4 | 2-3/4 | 3/8 | .413 ^{+0.015} / _{+0.000} | 2.250 ^{+0.000} / _{-.002} | 2.251 ^{+0.003} / _{+0.000} | 2.750 ^{+0.003} / _{+0.000} | 2.250 ^{+0.003} / _{-.003} | 2.749 ^{+0.000} / _{-.002} | 2.750 ^{+0.003} / _{+0.000} | 11.36 |
| U25-2.37 | 2-3/8 | 2-7/8 | 1/4 | .275 ^{+0.015} / _{+0.000} | 2.375 ^{+0.000} / _{-.002} | 2.376 ^{+0.003} / _{+0.000} | 2.875 ^{+0.003} / _{+0.000} | 2.375 ^{+0.003} / _{-.003} | 2.874 ^{+0.000} / _{-.002} | 2.875 ^{+0.003} / _{+0.000} | 9.98 |
| U25-2.37-37B | 2-3/8 | 2-7/8 | 3/8 | .413 ^{+0.015} / _{+0.000} | 2.375 ^{+0.000} / _{-.002} | 2.376 ^{+0.003} / _{+0.000} | 2.875 ^{+0.003} / _{+0.000} | 2.375 ^{+0.003} / _{-.003} | 2.874 ^{+0.000} / _{-.002} | 2.875 ^{+0.003} / _{+0.000} | 11.08 |
| U25-2.50 | 2-1/2 | 3 | 1/4 | .275 ^{+0.015} / _{+0.000} | 2.500 ^{+0.000} / _{-.002} | 2.501 ^{+0.003} / _{+0.000} | 3.000 ^{+0.003} / _{+0.000} | 2.500 ^{+0.003} / _{-.003} | 2.999 ^{+0.000} / _{-.002} | 3.000 ^{+0.003} / _{+0.000} | 9.92 |
| U25-2.50-SQB | 2-1/2 | 3 | 1/4 | .275 ^{+0.015} / _{+0.000} | 2.500 ^{+0.000} / _{-.002} | 2.501 ^{+0.003} / _{+0.000} | 3.000 ^{+0.003} / _{+0.000} | 2.500 ^{+0.003} / _{-.003} | 2.999 ^{+0.000} / _{-.002} | 3.000 ^{+0.003} / _{+0.000} | 9.92 |
| U25-2.50-31B | 2-1/2 | 3 | 5/16 | .344 ^{+0.015} / _{+0.000} | 2.500 ^{+0.000} / _{-.002} | 2.501 ^{+0.003} / _{+0.000} | 3.000 ^{+0.003} / _{+0.000} | 2.500 ^{+0.003} / _{-.003} | 2.999 ^{+0.000} / _{-.002} | 3.000 ^{+0.003} / _{+0.000} | 11.42 |
| U25-2.50-31D | 2-1/2 | 3 | 5/16 | .344 ^{+0.015} / _{+0.000} | 2.500 ^{+0.000} / _{-.002} | 2.501 ^{+0.003} / _{+0.000} | 3.000 ^{+0.003} / _{+0.000} | 2.500 ^{+0.003} / _{-.003} | 2.999 ^{+0.000} / _{-.002} | 3.000 ^{+0.003} / _{+0.000} | 12.45 |
| U25-2.50-37B | 2-1/2 | 3 | 3/8 | .413 ^{+0.015} / _{+0.000} | 2.500 ^{+0.000} / _{-.002} | 2.501 ^{+0.003} / _{+0.000} | 3.000 ^{+0.003} / _{+0.000} | 2.500 ^{+0.003} / _{-.003} | 2.999 ^{+0.000} / _{-.002} | 3.000 ^{+0.003} / _{+0.000} | 11.10 |
| U25-2.50-37D | 2-1/2 | 3 | 3/8 | .413 ^{+0.015} / _{+0.000} | 2.500 ^{+0.000} / _{-.002} | 2.501 ^{+0.003} / _{+0.000} | 3.000 ^{+0.003} / _{+0.000} | 2.500 ^{+0.003} / _{-.003} | 2.999 ^{+0.000} / _{-.002} | 3.000 ^{+0.003} / _{+0.000} | 11.10 |
| U25-2.50-50B | 2-1/2 | 3 | 1/2 | .550 ^{+0.015} / _{+0.000} | 2.500 ^{+0.000} / _{-.002} | 2.501 ^{+0.003} / _{+0.000} | 3.000 ^{+0.003} / _{+0.000} | 2.500 ^{+0.003} / _{-.003} | 2.999 ^{+0.000} / _{-.002} | 3.000 ^{+0.003} / _{+0.000} | 11.10 |
| U25-2.62 | 2-5/8 | 3-1/8 | 1/4 | .275 ^{+0.015} / _{+0.000} | 2.625 ^{+0.000} / _{-.002} | 2.626 ^{+0.003} / _{+0.000} | 3.125 ^{+0.003} / _{+0.000} | 2.625 ^{+0.003} / _{-.003} | 3.124 ^{+0.000} / _{-.002} | 3.125 ^{+0.003} / _{+0.000} | 11.13 |
| U25-2.62-37B | 2-5/8 | 3-1/8 | 3/8 | .413 ^{+0.015} / _{+0.000} | 2.625 ^{+0.000} / _{-.002} | 2.626 ^{+0.003} / _{+0.000} | 3.125 ^{+0.003} / _{+0.000} | 2.625 ^{+0.003} / _{-.003} | 3.124 ^{+0.000} / _{-.002} | 3.125 ^{+0.003} / _{+0.000} | 11.57 |
| U25-2.75 | 2-3/4 | 3-1/4 | 1/4 | .275 ^{+0.015} / _{+0.000} | 2.750 ^{+0.000} / _{-.002} | 2.751 ^{+0.003} / _{+0.000} | 3.250 ^{+0.003} / _{+0.000} | 2.750 ^{+0.003} / _{-.003} | 3.249 ^{+0.000} / _{-.002} | 3.250 ^{+0.003} / _{+0.000} | 10.76 |
| U25-2.75-SQB | 2-3/4 | 3-1/4 | 1/4 | .275 ^{+0.015} / _{+0.000} | 2.750 ^{+0.000} / _{-.002} | 2.751 ^{+0.003} / _{+0.000} | 3.250 ^{+0.003} / _{+0.000} | 2.750 ^{+0.003} / _{-.003} | 3.249 ^{+0.000} / _{-.002} | 3.250 ^{+0.003} / _{+0.000} | 10.76 |
| U25-2.75-37B | 2-3/4 | 3-1/4 | 3/8 | .413 ^{+0.015} / _{+0.000} | 2.750 ^{+0.000} / _{-.002} | 2.751 ^{+0.003} / _{+0.000} | 3.250 ^{+0.003} / _{+0.000} | 2.750 ^{+0.003} / _{-.003} | 3.249 ^{+0.000} / _{-.002} | 3.250 ^{+0.003} / _{+0.000} | 12.12 |
| U25-2.75-37D | 2-3/4 | 3-1/4 | 3/8 | .413 ^{+0.015} / _{+0.000} | 2.750 ^{+0.000} / _{-.002} | 2.751 ^{+0.003} / _{+0.000} | 3.250 ^{+0.003} / _{+0.000} | 2.750 ^{+0.003} / _{-.003} | 3.249 ^{+0.000} / _{-.002} | 3.250 ^{+0.003} / _{+0.000} | 12.12 |
| U25-2.75-50B | 2-3/4 | 3-1/4 | 1/2 | .550 ^{+0.015} / _{+0.000} | 2.750 ^{+0.000} / _{-.002} | 2.751 ^{+0.003} / _{+0.000} | 3.250 ^{+0.003} / _{+0.000} | 2.750 ^{+0.003} / _{-.003} | 3.249 ^{+0.000} / _{-.002} | 3.250 ^{+0.003} / _{+0.000} | 12.30 |
| U25-2.87 | 2-7/8 | 3-3/8 | 1/4 | .275 ^{+0.015} / _{+0.000} | 2.875 ^{+0.000} / _{-.002} | 2.876 ^{+0.003} / _{+0.000} | 3.375 ^{+0.003} / _{+0.000} | 2.875 ^{+0.003} / _{-.003} | 3.374 ^{+0.000} / _{-.002} | 3.375 ^{+0.003} / _{+0.000} | 11.70 |
| U25-2.87-37B | 2-7/8 | 3-3/8 | 3/8 | .413 ^{+0.015} / _{+0.000} | 2.875 ^{+0.000} / _{-.002} | 2.876 ^{+0.003} / _{+0.000} | 3.375 ^{+0.003} / _{+0.000} | 2.875 ^{+0.003} / _{-.003} | 3.374 ^{+0.000} / _{-.002} | 3.375 ^{+0.003} / _{+0.000} | 12.59 |
| U25-3.00 | 3 | 3-1/2 | 1/4 | .275 ^{+0.015} / _{+0.000} | 3.000 ^{+0.000} / _{-.002} | 3.001 ^{+0.003} / _{+0.000} | 3.500 ^{+0.003} / _{+0.000} | 3.000 ^{+0.003} / _{-.003} | 3.499 ^{+0.000} / _{-.002} | 3.500 ^{+0.003} / _{+0.000} | 11.57 |
| U25-3.00-SQB | 3 | 3-1/2 | 1/4 | .275 ^{+0.015} / _{+0.000} | 3.000 ^{+0.000} / _{-.002} | 3.001 ^{+0.003} / _{+0.000} | 3.500 ^{+0.003} / _{+0.000} | 3.000 ^{+0.003} / _{-.003} | 3.499 ^{+0.000} / _{-.002} | 3.500 ^{+0.003} / _{+0.000} | 11.57 |
| U25-3.00-37B | 3 | 3-1/2 | 3/8 | .413 ^{+0.015} / _{+0.000} | 3.000 ^{+0.000} / _{-.002} | 3.001 ^{+0.003} / _{+0.000} | 3.500 ^{+0.003} / _{+0.000} | 3.000 ^{+0.003} / _{-.003} | 3.499 ^{+0.000} / _{-.002} | 3.500 ^{+0.003} / _{+0.000} | 13.09 |
| U25-3.00-37D | 3 | 3-1/2 | 3/8 | .413 ^{+0.015} / _{+0.000} | 3.000 ^{+0.000} / _{-.002} | 3.001 ^{+0.003} / _{+0.000} | 3.500 ^{+0.003} / _{+0.000} | 3.000 ^{+0.003} / _{-.003} | 3.499 ^{+0.000} / _{-.002} | 3.500 ^{+0.003} / _{+0.000} | 13.09 |
| U25-3.12 | 3-1/8 | 3-5/8 | 1/4 | .275 ^{+0.015} / _{+0.000} | 3.125 ^{+0.000} / _{-.002} | 3.126 ^{+0.003} / _{+0.000} | 3.625 ^{+0.003} / _{+0.000} | 3.125 ^{+0.003} / _{-.003} | 3.624 ^{+0.000} / _{-.002} | 3.625 ^{+0.003} / _{+0.000} | 12.64 |
| U25-3.12-37B | 3-1/8 | 3-5/8 | 3/8 | .413 ^{+0.015} / _{+0.000} | 3.125 ^{+0.000} / _{-.002} | 3.126 ^{+0.003} / _{+0.000} | 3.625 ^{+0.003} / _{+0.000} | 3.125 ^{+0.003} / _{-.003} | 3.624 ^{+0.000} / _{-.002} | 3.625 ^{+0.003} / _{+0.000} | 16.26 |
| U25-3.25 | 3-1/4 | 3-3/4 | 1/4 | .275 ^{+0.015} / _{+0.000} | 3.250 ^{+0.000} / _{-.002} | 3.251 ^{+0.003} / _{+0.000} | 3.750 ^{+0.003} / _{+0.000} | 3.250 ^{+0.003} / _{-.003} | 3.749 ^{+0.000} / _{-.002} | 3.750 ^{+0.003} / _{+0.000} | 12.99 |
| U25-3.25-37B | 3-1/4 | 3-3/4 | 3/8 | .413 ^{+0.015} / _{+0.000} | 3.250 ^{+0.000} / _{-.002} | 3.251 ^{+0.003} / _{+0.000} | 3.750 ^{+0.003} / _{+0.000} | 3.250 ^{+0.003} / _{-.003} | 3.749 ^{+0.000} / _{-.002} | 3.750 ^{+0.003} / _{+0.000} | 14.10 |
| U25-3.25-37D | 3-1/4 | 3-3/4 | 3/8 | .413 ^{+0.015} / _{+0.000} | 3.250 ^{+0.000} / _{-.002} | 3.251 ^{+0.003} / _{+0.000} | 3.750 ^{+0.003} / _{+0.000} | 3.250 ^{+0.003} / _{-.003} | 3.749 ^{+0.000} / _{-.002} | 3.750 ^{+0.003} / _{+0.000} | 14.10 |
| U25-3.25-50B | 3-1/4 | 3-3/4 | 1/2 | .550 ^{+0.015} / _{+0.000} | 3.250 ^{+0.000} / _{-.002} | 3.251 ^{+0.003} / _{+0.000} | 3.750 ^{+0.003} / _{+0.000} | 3.250 ^{+0.003} / _{-.003} | 3.749 ^{+0.000} / _{-.002} | 3.750 ^{+0.003} / _{+0.000} | 14.71 |
| U25-3.37 | 3-3/8 | 3-7/8 | 1/4 | .275 ^{+0.015} / _{+0.000} | 3.375 ^{+0.000} / _{-.002} | 3.376 ^{+0.003} / _{+0.000} | 3.875 ^{+0.003} / _{+0.000} | 3.375 ^{+0.003} / _{-.003} | 3.874 ^{+0.000} / _{-.002} | 3.875 ^{+0.003} / _{+0.000} | 15.11 |
| U25-3.37-SQB | 3-3/8 | 3-7/8 | 1/4 | .275 ^{+0.015} / _{+0.000} | 3.375 ^{+0.000} / _{-.002} | 3.376 ^{+0.003} / _{+0.000} | 3.875 ^{+0.003} / _{+0.000} | 3.375 ^{+0.003} / _{-.003} | 3.874 ^{+0.000} / _{-.002} | 3.875 ^{+0.003} / _{+0.000} | 13.44 |

NORTH AMERICA
PHONE 1-800-777-5617
FAX 1-800-759-6391

SALES OFFICE HOURS
8 A.M. TO 7:30 P.M. EASTERN TIME
www.HerculesUS.com

WORLDWIDE
PHONE 1-727-796-1300
FAX 1-727-797-8849



STYLE 800 POLYURETHANE U-SEALS

| Part Number | A Nom. ID | B Nom. OD | C Nom. Ht | D GROOVE WIDTH | E ROD DIAMETER | F THROAT DIAMETER | G HOUSING DIAMETER | H GROOVE DIAMETER | I PISTON DIAMETER | J BORE DIAMETER | List Price |
|--------------|-----------|-----------|-----------|---------------------|----------------------|----------------------|----------------------|----------------------|----------------------|----------------------|------------|
| U25-3.37-37B | 3-3/8 | 3-7/8 | 3/8 | .413 +.015 +.000 | 3.375 +.000 -.002 | 3.376 +.003 +.000 | 3.875 +.003 +.000 | 3.375 +.000 -.003 | 3.874 +.000 -.002 | 3.875 +.003 +.000 | 14.61 |
| U25-3.50 | 3-1/2 | 4 | 1/4 | .275 +.015 +.000 | 3.500 +.000 -.002 | 3.501 +.003 +.000 | 4.000 +.003 +.000 | 3.500 +.000 -.003 | 3.999 +.000 -.002 | 4.000 +.003 +.000 | 13.88 |
| U25-3.50-SQB | 3-1/2 | 4 | 1/4 | .275 +.015 +.000 | 3.500 +.000 -.002 | 3.501 +.003 +.000 | 4.000 +.003 +.000 | 3.500 +.000 -.003 | 3.999 +.000 -.002 | 4.000 +.003 +.000 | 13.88 |
| U25-3.50-37B | 3-1/2 | 4 | 3/8 | .413 +.015 +.000 | 3.500 +.000 -.002 | 3.501 +.003 +.000 | 4.000 +.003 +.000 | 3.500 +.000 -.003 | 3.999 +.000 -.002 | 4.000 +.003 +.000 | 15.11 |
| U25-3.50-37D | 3-1/2 | 4 | 3/8 | .413 +.015 +.000 | 3.500 +.000 -.002 | 3.501 +.003 +.000 | 4.000 +.003 +.000 | 3.500 +.000 -.003 | 3.999 +.000 -.002 | 4.000 +.003 +.000 | 15.11 |
| U25-3.50-50B | 3-1/2 | 4 | 1/2 | .550 +.015 +.000 | 3.500 +.000 -.002 | 3.501 +.003 +.000 | 4.000 +.003 +.000 | 3.500 +.000 -.003 | 3.999 +.000 -.002 | 4.000 +.003 +.000 | 15.34 |
| U25-3.50-50D | 3-1/2 | 4 | 1/2 | .550 +.015 +.000 | 3.500 +.000 -.002 | 3.501 +.003 +.000 | 4.000 +.003 +.000 | 3.500 +.000 -.003 | 3.999 +.000 -.002 | 4.000 +.003 +.000 | 17.57 |
| U25-3.62 | 3-5/8 | 4-1/8 | 1/4 | .275 +.015 +.000 | 3.625 +.000 -.002 | 3.626 +.003 +.000 | 4.125 +.003 +.000 | 3.625 +.000 -.003 | 4.124 +.000 -.002 | 4.125 +.003 +.000 | 14.32 |
| U25-3.69-50B | 3.69 | 4.19 | 1/2 | .550 +.015 +.000 | 3.690 +.000 -.002 | 3.691 +.003 +.000 | 4.190 +.003 +.000 | 3.690 +.000 -.003 | 4.189 +.000 -.002 | 4.190 +.003 +.000 | 19.58 |
| U25-3.75-SQB | 3-3/4 | 4-1/4 | 1/4 | .275 +.015 +.000 | 3.750 +.000 -.002 | 3.751 +.003 +.000 | 4.250 +.003 +.000 | 3.750 +.000 -.003 | 4.249 +.000 -.002 | 4.250 +.003 +.000 | 14.82 |
| U25-3.75-37B | 3-3/4 | 4-1/4 | 3/8 | .413 +.015 +.000 | 3.750 +.000 -.002 | 3.751 +.003 +.000 | 4.250 +.003 +.000 | 3.750 +.000 -.003 | 4.249 +.000 -.002 | 4.250 +.003 +.000 | 15.98 |
| U25-3.75-50B | 3-3/4 | 4-1/4 | 1/2 | .550 +.015 +.000 | 3.750 +.000 -.002 | 3.751 +.003 +.000 | 4.250 +.003 +.000 | 3.750 +.000 -.003 | 4.249 +.000 -.002 | 4.250 +.003 +.000 | 15.98 |
| U25-3.75-56B | 3-3/4 | 4-1/4 | 9/16 | .619 +.015 +.000 | 3.750 +.000 -.002 | 3.751 +.003 +.000 | 4.250 +.003 +.000 | 3.750 +.000 -.003 | 4.249 +.000 -.002 | 4.250 +.003 +.000 | 15.98 |
| U25-3.87 | 3-7/8 | 4-3/8 | 1/4 | .275 +.015 +.000 | 3.875 +.000 -.002 | 3.876 +.003 +.000 | 4.375 +.003 +.000 | 3.875 +.000 -.003 | 4.374 +.000 -.002 | 4.375 +.003 +.000 | 15.21 |
| U25-4.00 | 4 | 4-1/2 | 1/4 | .275 +.015 +.000 | 4.000 +.000 -.002 | 4.001 +.003 +.000 | 4.500 +.003 +.000 | 4.000 +.000 -.003 | 4.499 +.000 -.002 | 4.500 +.003 +.000 | 14.90 |
| U25-4.00-SQB | 4 | 4-1/2 | 1/4 | .275 +.015 +.000 | 4.000 +.000 -.002 | 4.001 +.003 +.000 | 4.500 +.003 +.000 | 4.000 +.000 -.003 | 4.499 +.000 -.002 | 4.500 +.003 +.000 | 14.90 |
| U25-4.00-31B | 4 | 4-1/2 | 5/16 | .344 +.015 +.000 | 4.000 +.000 -.002 | 4.001 +.003 +.000 | 4.500 +.003 +.000 | 4.000 +.000 -.003 | 4.499 +.000 -.002 | 4.500 +.003 +.000 | 17.39 |
| U25-4.00-37B | 4 | 4-1/2 | 3/8 | .413 +.015 +.000 | 4.000 +.000 -.002 | 4.001 +.003 +.000 | 4.500 +.003 +.000 | 4.000 +.000 -.003 | 4.499 +.000 -.002 | 4.500 +.003 +.000 | 17.39 |
| U25-4.00-37D | 4 | 4-1/2 | 3/8 | .413 +.015 +.000 | 4.000 +.000 -.002 | 4.001 +.003 +.000 | 4.500 +.003 +.000 | 4.000 +.000 -.003 | 4.499 +.000 -.002 | 4.500 +.003 +.000 | 17.39 |
| U25-4.00-50B | 4 | 4-1/2 | 1/2 | .550 +.015 +.000 | 4.000 +.000 -.002 | 4.001 +.003 +.000 | 4.500 +.003 +.000 | 4.000 +.000 -.003 | 4.499 +.000 -.002 | 4.500 +.003 +.000 | 18.77 |
| U25-4.00-50D | 4 | 4-1/2 | 1/2 | .550 +.015 +.000 | 4.000 +.000 -.002 | 4.001 +.003 +.000 | 4.500 +.003 +.000 | 4.000 +.000 -.003 | 4.499 +.000 -.002 | 4.500 +.003 +.000 | 17.39 |
| U25-4.00-56B | 4 | 4-1/2 | 9/16 | .619 +.015 +.000 | 4.000 +.000 -.002 | 4.001 +.003 +.000 | 4.500 +.003 +.000 | 4.000 +.000 -.003 | 4.499 +.000 -.002 | 4.500 +.003 +.000 | 17.39 |
| U25-4.00-56D | 4 | 4-1/2 | 9/16 | .619 +.015 +.000 | 4.000 +.000 -.002 | 4.001 +.003 +.000 | 4.500 +.003 +.000 | 4.000 +.000 -.003 | 4.499 +.000 -.002 | 4.500 +.003 +.000 | 20.62 |
| U25-4.00-56F | 4 | 4-1/2 | 9/16 | .619 +.015 +.000 | 4.000 +.000 -.002 | 4.001 +.003 +.000 | 4.500 +.003 +.000 | 4.000 +.000 -.003 | 4.499 +.000 -.002 | 4.500 +.003 +.000 | 27.60 |
| U25-4.12 | 4-1/8 | 4-5/8 | 1/4 | .275 +.015 +.000 | 4.125 +.000 -.002 | 4.126 +.003 +.000 | 4.625 +.003 +.000 | 4.125 +.000 -.003 | 4.624 +.000 -.002 | 4.625 +.003 +.000 | 16.14 |
| U25-4.12-37B | 4-1/8 | 4-5/8 | 3/8 | .413 +.015 +.000 | 4.125 +.000 -.002 | 4.126 +.003 +.000 | 4.625 +.003 +.000 | 4.125 +.000 -.003 | 4.624 +.000 -.002 | 4.625 +.003 +.000 | 18.98 |
| U25-4.25 | 4-1/4 | 4-3/4 | 1/4 | .275 +.015 +.000 | 4.250 +.000 -.002 | 4.251 +.003 +.000 | 4.750 +.003 +.000 | 4.250 +.000 -.003 | 4.749 +.000 -.002 | 4.750 +.003 +.000 | 16.51 |
| U25-4.25-37B | 4-1/4 | 4-3/4 | 3/8 | .413 +.015 +.000 | 4.250 +.000 -.002 | 4.251 +.003 +.000 | 4.750 +.003 +.000 | 4.250 +.000 -.003 | 4.749 +.000 -.002 | 4.750 +.003 +.000 | 20.81 |
| U25-4.25-56B | 4-1/4 | 4-3/4 | 9/16 | .619 +.015 +.000 | 4.250 +.000 -.002 | 4.251 +.003 +.000 | 4.750 +.003 +.000 | 4.250 +.000 -.003 | 4.749 +.000 -.002 | 4.750 +.003 +.000 | 20.81 |
| U25-4.37-SQB | 4-3/8 | 4-7/8 | 1/4 | .275 +.015 +.000 | 4.375 +.000 -.002 | 4.376 +.003 +.000 | 4.875 +.003 +.000 | 4.375 +.000 -.003 | 4.874 +.000 -.002 | 4.875 +.003 +.000 | 16.91 |
| U25-4.37-56B | 4-3/8 | 4-7/8 | 9/16 | .619 +.015 +.000 | 4.375 +.000 -.002 | 4.376 +.003 +.000 | 4.875 +.003 +.000 | 4.375 +.000 -.003 | 4.874 +.000 -.002 | 4.875 +.003 +.000 | 20.49 |
| U25-4.50 | 4-1/2 | 5 | 1/4 | .275 +.015 +.000 | 4.500 +.000 -.002 | 4.501 +.003 +.000 | 5.000 +.003 +.000 | 4.500 +.000 -.003 | 4.999 +.000 -.002 | 5.000 +.003 +.000 | 16.66 |
| U25-4.50-31B | 4-1/2 | 5 | 5/16 | .344 +.015 +.000 | 4.500 +.000 -.002 | 4.501 +.003 +.000 | 5.000 +.003 +.000 | 4.500 +.000 -.003 | 4.999 +.000 -.002 | 5.000 +.003 +.000 | 20.62 |

U-SEALS



STYLE 800 POLYURETHANE U-SEALS

U-SEALS

| Part Number | A Nom. ID | B Nom. OD | C Nom. Ht | D GROOVE WIDTH | E ROD DIAMETER | F THROAT DIAMETER | G HOUSING DIAMETER | H GROOVE DIAMETER | I PISTON DIAMETER | J BORE DIAMETER | List Price |
|--------------|-----------------|-----------------|-----------------|--|---|---|---|---|---|---|---------------|
| U25-4.50-37B | 4-1/2 | 5 | 3/8 | .413 <small>+0.015 +0.000</small> | 4.500 <small>+0.000 -0.002</small> | 4.501 <small>+0.003 +0.000</small> | 5.000 <small>+0.003 +0.000</small> | 4.500 <small>+0.003 -0.003</small> | 4.999 <small>+0.000 -0.002</small> | 5.000 <small>+0.003 +0.000</small> | 20.62 |
| U25-4.50-37D | 4-1/2 | 5 | 3/8 | .413 <small>+0.015 +0.000</small> | 4.500 <small>+0.000 -0.002</small> | 4.501 <small>+0.003 +0.000</small> | 5.000 <small>+0.003 +0.000</small> | 4.500 <small>+0.003 -0.003</small> | 4.999 <small>+0.000 -0.002</small> | 5.000 <small>+0.003 +0.000</small> | 20.62 |
| U25-4.50-50B | 4-1/2 | 5 | 1/2 | .550 <small>+0.015 +0.000</small> | 4.500 <small>+0.000 -0.002</small> | 4.501 <small>+0.003 +0.000</small> | 5.000 <small>+0.003 +0.000</small> | 4.500 <small>+0.003 -0.003</small> | 4.999 <small>+0.000 -0.002</small> | 5.000 <small>+0.003 +0.000</small> | 20.62 |
| U25-4.50-50D | 4-1/2 | 5 | 1/2 | .550 <small>+0.015 +0.000</small> | 4.500 <small>+0.000 -0.002</small> | 4.501 <small>+0.003 +0.000</small> | 5.000 <small>+0.003 +0.000</small> | 4.500 <small>+0.003 -0.003</small> | 4.999 <small>+0.000 -0.002</small> | 5.000 <small>+0.003 +0.000</small> | 20.62 |
| U25-4.50-56B | 4-1/2 | 5 | 9/16 | .619 <small>+0.015 +0.000</small> | 4.500 <small>+0.000 -0.002</small> | 4.501 <small>+0.003 +0.000</small> | 5.000 <small>+0.003 +0.000</small> | 4.500 <small>+0.003 -0.003</small> | 4.999 <small>+0.000 -0.002</small> | 5.000 <small>+0.003 +0.000</small> | 20.62 |
| U25-4.50-56D | 4-1/2 | 5 | 9/16 | .619 <small>+0.015 +0.000</small> | 4.500 <small>+0.000 -0.002</small> | 4.501 <small>+0.003 +0.000</small> | 5.000 <small>+0.003 +0.000</small> | 4.500 <small>+0.003 -0.003</small> | 4.999 <small>+0.000 -0.002</small> | 5.000 <small>+0.003 +0.000</small> | 20.62 |
| U25-4.50-62B | 4-1/2 | 5 | 5/8 | .688 <small>+0.015 +0.000</small> | 4.500 <small>+0.000 -0.002</small> | 4.501 <small>+0.003 +0.000</small> | 5.000 <small>+0.003 +0.000</small> | 4.500 <small>+0.003 -0.003</small> | 4.999 <small>+0.000 -0.002</small> | 5.000 <small>+0.003 +0.000</small> | 24.31 |
| U25-4.62-SQB | 4-5/8 | 5-1/8 | 1/4 | .275 <small>+0.015 +0.000</small> | 4.625 <small>+0.000 -0.002</small> | 4.626 <small>+0.003 +0.000</small> | 5.125 <small>+0.003 +0.000</small> | 4.625 <small>+0.003 -0.003</small> | 5.124 <small>+0.000 -0.002</small> | 5.125 <small>+0.003 +0.000</small> | 17.05 |
| U25-4.62-56B | 4-5/8 | 5-1/8 | 9/16 | .619 <small>+0.015 +0.000</small> | 4.625 <small>+0.000 -0.002</small> | 4.626 <small>+0.003 +0.000</small> | 5.125 <small>+0.003 +0.000</small> | 4.625 <small>+0.003 -0.003</small> | 5.124 <small>+0.000 -0.002</small> | 5.125 <small>+0.003 +0.000</small> | 21.93 |
| U25-4.75 | 4-3/4 | 5-1/4 | 1/4 | .275 <small>+0.015 +0.000</small> | 4.750 <small>+0.000 -0.002</small> | 4.751 <small>+0.003 +0.000</small> | 5.250 <small>+0.003 +0.000</small> | 4.750 <small>+0.003 -0.003</small> | 5.249 <small>+0.000 -0.002</small> | 5.250 <small>+0.003 +0.000</small> | 17.49 |
| U25-4.75-37B | 4-3/4 | 5-1/4 | 3/8 | .413 <small>+0.015 +0.000</small> | 4.750 <small>+0.000 -0.002</small> | 4.751 <small>+0.003 +0.000</small> | 5.250 <small>+0.003 +0.000</small> | 4.750 <small>+0.003 -0.003</small> | 5.249 <small>+0.000 -0.002</small> | 5.250 <small>+0.003 +0.000</small> | 22.64 |
| U25-4.75-56B | 4-3/4 | 5-1/4 | 9/16 | .619 <small>+0.015 +0.000</small> | 4.750 <small>+0.000 -0.002</small> | 4.751 <small>+0.003 +0.000</small> | 5.250 <small>+0.003 +0.000</small> | 4.750 <small>+0.003 -0.003</small> | 5.249 <small>+0.000 -0.002</small> | 5.250 <small>+0.003 +0.000</small> | 22.64 |
| U25-4.87 | 4-7/8 | 5-3/8 | 1/4 | .275 <small>+0.015 +0.000</small> | 4.875 <small>+0.000 -0.002</small> | 4.876 <small>+0.003 +0.000</small> | 5.375 <small>+0.003 +0.000</small> | 4.875 <small>+0.003 -0.003</small> | 5.374 <small>+0.000 -0.002</small> | 5.375 <small>+0.003 +0.000</small> | 18.80 |
| U25-5.00 | 5 | 5-1/2 | 1/4 | .275 <small>+0.015 +0.000</small> | 5.000 <small>+0.000 -0.002</small> | 5.001 <small>+0.003 +0.000</small> | 5.500 <small>+0.003 +0.000</small> | 5.000 <small>+0.003 -0.003</small> | 5.499 <small>+0.000 -0.002</small> | 5.500 <small>+0.003 +0.000</small> | 18.32 |
| U25-5.00-37B | 5 | 5-1/2 | 3/8 | .413 <small>+0.015 +0.000</small> | 5.000 <small>+0.000 -0.002</small> | 5.001 <small>+0.003 +0.000</small> | 5.500 <small>+0.003 +0.000</small> | 5.000 <small>+0.003 -0.003</small> | 5.499 <small>+0.000 -0.002</small> | 5.500 <small>+0.003 +0.000</small> | 23.86 |
| U25-5.00-50B | 5 | 5-1/2 | 1/2 | .550 <small>+0.015 +0.000</small> | 5.000 <small>+0.000 -0.002</small> | 5.001 <small>+0.003 +0.000</small> | 5.500 <small>+0.003 +0.000</small> | 5.000 <small>+0.003 -0.003</small> | 5.499 <small>+0.000 -0.002</small> | 5.500 <small>+0.003 +0.000</small> | 23.86 |
| U25-5.00-50D | 5 | 5-1/2 | 1/2 | .550 <small>+0.015 +0.000</small> | 5.000 <small>+0.000 -0.002</small> | 5.001 <small>+0.003 +0.000</small> | 5.500 <small>+0.003 +0.000</small> | 5.000 <small>+0.003 -0.003</small> | 5.499 <small>+0.000 -0.002</small> | 5.500 <small>+0.003 +0.000</small> | 23.86 |
| U25-5.00-56B | 5 | 5-1/2 | 9/16 | .619 <small>+0.015 +0.000</small> | 5.000 <small>+0.000 -0.002</small> | 5.001 <small>+0.003 +0.000</small> | 5.500 <small>+0.003 +0.000</small> | 5.000 <small>+0.003 -0.003</small> | 5.499 <small>+0.000 -0.002</small> | 5.500 <small>+0.003 +0.000</small> | 23.86 |
| U25-5.12 | 5-1/8 | 5-5/8 | 1/4 | .275 <small>+0.015 +0.000</small> | 5.125 <small>+0.000 -0.002</small> | 5.126 <small>+0.003 +0.000</small> | 5.625 <small>+0.003 +0.000</small> | 5.125 <small>+0.003 -0.003</small> | 5.624 <small>+0.000 -0.002</small> | 5.625 <small>+0.003 +0.000</small> | 19.60 |
| U25-5.25 | 5-1/4 | 5-3/4 | 1/4 | .275 <small>+0.015 +0.000</small> | 5.250 <small>+0.000 -0.002</small> | 5.251 <small>+0.003 +0.000</small> | 5.750 <small>+0.003 +0.000</small> | 5.250 <small>+0.003 -0.003</small> | 5.749 <small>+0.000 -0.002</small> | 5.750 <small>+0.003 +0.000</small> | 18.91 |
| U25-5.25-SQB | 5-1/4 | 5-3/4 | 1/4 | .275 <small>+0.015 +0.000</small> | 5.250 <small>+0.000 -0.002</small> | 5.251 <small>+0.003 +0.000</small> | 5.750 <small>+0.003 +0.000</small> | 5.250 <small>+0.003 -0.003</small> | 5.749 <small>+0.000 -0.002</small> | 5.750 <small>+0.003 +0.000</small> | 18.06 |
| U25-5.25-37B | 5-1/4 | 5-3/4 | 3/8 | .413 <small>+0.015 +0.000</small> | 5.250 <small>+0.000 -0.002</small> | 5.251 <small>+0.003 +0.000</small> | 5.750 <small>+0.003 +0.000</small> | 5.250 <small>+0.003 -0.003</small> | 5.749 <small>+0.000 -0.002</small> | 5.750 <small>+0.003 +0.000</small> | 27.14 |
| U25-5.25-56B | 5-1/4 | 5-3/4 | 9/16 | .619 <small>+0.015 +0.000</small> | 5.250 <small>+0.000 -0.002</small> | 5.251 <small>+0.003 +0.000</small> | 5.750 <small>+0.003 +0.000</small> | 5.250 <small>+0.003 -0.003</small> | 5.749 <small>+0.000 -0.002</small> | 5.750 <small>+0.003 +0.000</small> | 27.14 |
| U25-5.37 | 5-3/8 | 5-7/8 | 1/4 | .275 <small>+0.015 +0.000</small> | 5.375 <small>+0.000 -0.002</small> | 5.376 <small>+0.003 +0.000</small> | 5.875 <small>+0.003 +0.000</small> | 5.375 <small>+0.003 -0.003</small> | 5.874 <small>+0.000 -0.002</small> | 5.875 <small>+0.003 +0.000</small> | 20.53 |
| U25-5.50 | 5-1/2 | 6 | 1/4 | .275 <small>+0.015 +0.000</small> | 5.500 <small>+0.000 -0.002</small> | 5.501 <small>+0.003 +0.000</small> | 6.000 <small>+0.003 +0.000</small> | 5.500 <small>+0.003 -0.003</small> | 5.999 <small>+0.000 -0.002</small> | 6.000 <small>+0.003 +0.000</small> | 21.08 |
| U25-5.50-SQB | 5-1/2 | 6 | 1/4 | .275 <small>+0.015 +0.000</small> | 5.500 <small>+0.000 -0.002</small> | 5.501 <small>+0.003 +0.000</small> | 6.000 <small>+0.003 +0.000</small> | 5.500 <small>+0.003 -0.003</small> | 5.999 <small>+0.000 -0.002</small> | 6.000 <small>+0.003 +0.000</small> | 21.08 |
| U25-5.50-37B | 5-1/2 | 6 | 3/8 | .413 <small>+0.015 +0.000</small> | 5.500 <small>+0.000 -0.002</small> | 5.501 <small>+0.003 +0.000</small> | 6.000 <small>+0.003 +0.000</small> | 5.500 <small>+0.003 -0.003</small> | 5.999 <small>+0.000 -0.002</small> | 6.000 <small>+0.003 +0.000</small> | 27.85 |
| U25-5.50-50D | 5-1/2 | 6 | 1/2 | .550 <small>+0.015 +0.000</small> | 5.500 <small>+0.000 -0.002</small> | 5.501 <small>+0.003 +0.000</small> | 6.000 <small>+0.003 +0.000</small> | 5.500 <small>+0.003 -0.003</small> | 5.999 <small>+0.000 -0.002</small> | 6.000 <small>+0.003 +0.000</small> | 29.26 |
| U25-5.50-56B | 5-1/2 | 6 | 9/16 | .619 <small>+0.015 +0.000</small> | 5.500 <small>+0.000 -0.002</small> | 5.501 <small>+0.003 +0.000</small> | 6.000 <small>+0.003 +0.000</small> | 5.500 <small>+0.003 -0.003</small> | 5.999 <small>+0.000 -0.002</small> | 6.000 <small>+0.003 +0.000</small> | 27.05 |
| U25-5.50-56D | 5-1/2 | 6 | 9/16 | .619 <small>+0.015 +0.000</small> | 5.500 <small>+0.000 -0.002</small> | 5.501 <small>+0.003 +0.000</small> | 6.000 <small>+0.003 +0.000</small> | 5.500 <small>+0.003 -0.003</small> | 5.999 <small>+0.000 -0.002</small> | 6.000 <small>+0.003 +0.000</small> | 27.85 |
| U25-5.50-62D | 5-1/2 | 6 | 5/8 | .688 <small>+0.015 +0.000</small> | 5.500 <small>+0.000 -0.002</small> | 5.501 <small>+0.003 +0.000</small> | 6.000 <small>+0.003 +0.000</small> | 5.500 <small>+0.003 -0.003</small> | 5.999 <small>+0.000 -0.002</small> | 6.000 <small>+0.003 +0.000</small> | 28.05 |
| U25-5.62 | 5-5/8 | 6-1/8 | 1/4 | .275 <small>+0.015 +0.000</small> | 5.625 <small>+0.000 -0.002</small> | 5.626 <small>+0.003 +0.000</small> | 6.125 <small>+0.003 +0.000</small> | 5.625 <small>+0.003 -0.003</small> | 6.124 <small>+0.000 -0.002</small> | 6.125 <small>+0.003 +0.000</small> | 21.96 |
| U25-5.75 | 5-3/4 | 6-1/4 | 1/4 | .275 <small>+0.015 +0.000</small> | 5.750 <small>+0.000 -0.002</small> | 5.751 <small>+0.003 +0.000</small> | 6.250 <small>+0.003 +0.000</small> | 5.750 <small>+0.003 -0.003</small> | 6.249 <small>+0.000 -0.002</small> | 6.250 <small>+0.003 +0.000</small> | 22.41 |

NORTH AMERICA
PHONE 1-800-777-5617
FAX 1-800-759-6391

SALES OFFICE HOURS
8 A.M. TO 7:30 P.M. EASTERN TIME
www.HerculesUS.com

WORLDWIDE
PHONE 1-727-796-1300
FAX 1-727-797-8849



STYLE 800 POLYURETHANE U-SEALS

| Part Number | A Nom. ID | B Nom. OD | C Nom. Ht | D GROOVE WIDTH | E ROD DIAMETER | F THROAT DIAMETER | G HOUSING DIAMETER | H GROOVE DIAMETER | I PISTON DIAMETER | J BORE DIAMETER | List Price |
|--------------|-----------|-----------|-----------|---------------------|----------------------|----------------------|-----------------------|----------------------|----------------------|-----------------------|------------|
| U25-5.75-37B | 5-3/4 | 6-1/4 | 3/8 | .413 +.015 +.000 | 5.750 +.000 -.002 | 5.751 +.003 +.000 | 6.250 +.003 +.000 | 5.750 +.000 -.003 | 6.249 +.000 -.002 | 6.250 +.003 +.000 | 30.32 |
| U25-5.75-56B | 5-3/4 | 6-1/4 | 9/16 | .619 +.015 +.000 | 5.750 +.000 -.002 | 5.751 +.003 +.000 | 6.250 +.003 +.000 | 5.750 +.000 -.003 | 6.249 +.000 -.002 | 6.250 +.003 +.000 | 30.32 |
| U25-6.00 | 6 | 6-1/2 | 1/4 | .275 +.015 +.000 | 6.000 +.000 -.002 | 6.001 +.003 +.000 | 6.500 +.003 +.000 | 6.000 +.000 -.003 | 6.499 +.000 -.002 | 6.500 +.003 +.000 | 22.84 |
| U25-6.00-37B | 6 | 6-1/2 | 3/8 | .413 +.015 +.000 | 6.000 +.000 -.002 | 6.001 +.003 +.000 | 6.500 +.003 +.000 | 6.000 +.000 -.003 | 6.499 +.000 -.002 | 6.500 +.003 +.000 | 31.19 |
| U25-6.00-37D | 6 | 6-1/2 | 3/8 | .413 +.015 +.000 | 6.000 +.000 -.002 | 6.001 +.003 +.000 | 6.500 +.003 +.000 | 6.000 +.000 -.003 | 6.499 +.000 -.002 | 6.500 +.003 +.000 | 31.19 |
| U25-6.00-56B | 6 | 6-1/2 | 9/16 | .619 +.015 +.000 | 6.000 +.000 -.002 | 6.001 +.003 +.000 | 6.500 +.003 +.000 | 6.000 +.000 -.003 | 6.499 +.000 -.002 | 6.500 +.003 +.000 | 28.28 |
| U25-6.00-56D | 6 | 6-1/2 | 9/16 | .619 +.015 +.000 | 6.000 +.000 -.002 | 6.001 +.003 +.000 | 6.500 +.003 +.000 | 6.000 +.000 -.003 | 6.499 +.000 -.002 | 6.500 +.003 +.000 | 35.11 |
| U25-6.25 | 6-1/4 | 6-3/4 | 1/4 | .275 +.015 +.000 | 6.250 +.000 -.002 | 6.251 +.003 +.000 | 6.750 +.003 +.000 | 6.250 +.000 -.003 | 6.749 +.000 -.002 | 6.750 +.003 +.000 | 22.88 |
| U25-6.25-37B | 6-1/4 | 6-3/4 | 3/8 | .413 +.015 +.000 | 6.250 +.000 -.002 | 6.251 +.003 +.000 | 6.750 +.003 +.000 | 6.250 +.000 -.003 | 6.749 +.000 -.002 | 6.750 +.003 +.000 | 34.46 |
| U25-6.50 | 6-1/2 | 7 | 1/4 | .275 +.015 +.000 | 6.500 +.000 -.002 | 6.501 +.003 +.000 | 7.000 +.003 +.000 | 6.500 +.000 -.003 | 6.999 +.000 -.002 | 7.000 +.003 +.000 | 24.06 |
| U25-6.50-SQB | 6-1/2 | 7 | 1/4 | .275 +.015 +.000 | 6.500 +.000 -.002 | 6.501 +.003 +.000 | 7.000 +.003 +.000 | 6.500 +.000 -.003 | 6.999 +.000 -.002 | 7.000 +.003 +.000 | 24.06 |
| U25-6.50-37D | 6-1/2 | 7 | 3/8 | .413 +.015 +.000 | 6.500 +.000 -.002 | 6.501 +.003 +.000 | 7.000 +.003 +.000 | 6.500 +.000 -.003 | 6.999 +.000 -.002 | 7.000 +.003 +.000 | 33.41 |
| U25-6.50-56B | 6-1/2 | 7 | 9/16 | .619 +.015 +.000 | 6.500 +.000 -.002 | 6.501 +.003 +.000 | 7.000 +.003 +.000 | 6.500 +.000 -.003 | 6.999 +.000 -.002 | 7.000 +.003 +.000 | 32.05 |
| U25-6.75 | 6-3/4 | 7-1/4 | 1/4 | .275 +.015 +.000 | 6.750 +.000 -.002 | 6.751 +.003 +.000 | 7.250 +.003 +.000 | 6.750 +.000 -.003 | 7.249 +.000 -.002 | 7.250 +.003 +.000 | 24.58 |
| U25-6.75-37B | 6-3/4 | 7-1/4 | 3/8 | .413 +.015 +.000 | 6.750 +.000 -.002 | 6.751 +.003 +.000 | 7.250 +.003 +.000 | 6.750 +.000 -.003 | 7.249 +.000 -.002 | 7.250 +.003 +.000 | 33.41 |
| U25-6.75-56B | 6-3/4 | 7-1/4 | 9/16 | .619 +.015 +.000 | 6.750 +.000 -.002 | 6.751 +.003 +.000 | 7.250 +.003 +.000 | 6.750 +.000 -.003 | 7.249 +.000 -.002 | 7.250 +.003 +.000 | 33.41 |
| U25-6.75-56D | 6-3/4 | 7-1/4 | 9/16 | .619 +.015 +.000 | 6.750 +.000 -.002 | 6.751 +.003 +.000 | 7.250 +.003 +.000 | 6.750 +.000 -.003 | 7.249 +.000 -.002 | 7.250 +.003 +.000 | 33.41 |
| U25-7.00 | 7 | 7-1/2 | 1/4 | .275 +.015 +.000 | 7.000 +.000 -.002 | 7.001 +.003 +.000 | 7.500 +.003 +.000 | 7.000 +.000 -.003 | 7.499 +.000 -.002 | 7.500 +.003 +.000 | 25.55 |
| U25-7.00-37B | 7 | 7-1/2 | 3/8 | .413 +.015 +.000 | 7.000 +.000 -.002 | 7.001 +.003 +.000 | 7.500 +.003 +.000 | 7.000 +.000 -.003 | 7.499 +.000 -.002 | 7.500 +.003 +.000 | 30.64 |
| U25-7.00-56B | 7 | 7-1/2 | 9/16 | .619 +.015 +.000 | 7.000 +.000 -.002 | 7.001 +.003 +.000 | 7.500 +.003 +.000 | 7.000 +.000 -.003 | 7.499 +.000 -.002 | 7.500 +.003 +.000 | 34.71 |
| U25-7.25 | 7-1/4 | 7-3/4 | 1/4 | .275 +.015 +.000 | 7.250 +.000 -.002 | 7.251 +.003 +.000 | 7.750 +.003 +.000 | 7.250 +.000 -.003 | 7.749 +.000 -.002 | 7.750 +.003 +.000 | 25.51 |
| U25-7.50 | 7-1/2 | 8 | 1/4 | .275 +.015 +.000 | 7.500 +.000 -.002 | 7.501 +.003 +.000 | 8.000 +.003 +.000 | 7.500 +.000 -.003 | 7.999 +.000 -.002 | 8.000 +.003 +.000 | 27.27 |
| U25-7.50-SQB | 7-1/2 | 8 | 1/4 | .275 +.015 +.000 | 7.500 +.000 -.002 | 7.501 +.003 +.000 | 8.000 +.003 +.000 | 7.500 +.000 -.003 | 7.999 +.000 -.002 | 8.000 +.003 +.000 | 27.27 |
| U25-7.50-56B | 7-1/2 | 8 | 9/16 | .619 +.015 +.000 | 7.500 +.000 -.002 | 7.501 +.003 +.000 | 8.000 +.003 +.000 | 7.500 +.000 -.003 | 7.999 +.000 -.002 | 8.000 +.003 +.000 | 39.32 |
| U25-7.75 | 7-3/4 | 8-1/4 | 1/4 | .275 +.015 +.000 | 7.750 +.000 -.002 | 7.751 +.003 +.000 | 8.250 +.003 +.000 | 7.750 +.000 -.003 | 8.249 +.000 -.002 | 8.250 +.003 +.000 | 27.03 |
| U25-8.00 | 8 | 8-1/2 | 1/4 | .275 +.015 +.000 | 8.000 +.000 -.002 | 8.001 +.003 +.000 | 8.500 +.003 +.000 | 8.000 +.000 -.003 | 8.499 +.000 -.002 | 8.500 +.003 +.000 | 28.05 |
| U25-8.00-56B | 8 | 8-1/2 | 9/16 | .619 +.015 +.000 | 8.000 +.000 -.002 | 8.001 +.003 +.000 | 8.500 +.003 +.000 | 8.000 +.000 -.003 | 8.499 +.000 -.002 | 8.500 +.003 +.000 | 42.00 |
| U25-8.12-56B | 8-1/8 | 8-5/8 | 9/16 | .619 +.015 +.000 | 8.125 +.000 -.002 | 8.126 +.003 +.000 | 8.625 +.003 +.000 | 8.125 +.000 -.003 | 8.624 +.000 -.002 | 8.625 +.003 +.000 | 43.04 |
| U25-8.25-56B | 8-1/4 | 8-3/4 | 9/16 | .619 +.015 +.000 | 8.250 +.000 -.002 | 8.251 +.003 +.000 | 8.750 +.003 +.000 | 8.250 +.000 -.003 | 8.749 +.000 -.002 | 8.750 +.003 +.000 | 43.38 |
| U25-8.50 | 8-1/2 | 9 | 1/4 | .275 +.015 +.000 | 8.500 +.000 -.002 | 8.501 +.003 +.000 | 9.000 +.003 +.000 | 8.500 +.000 -.003 | 8.999 +.000 -.002 | 9.000 +.003 +.000 | 33.01 |
| U25-8.50-56B | 8-1/2 | 9 | 9/16 | .619 +.015 +.000 | 8.500 +.000 -.002 | 8.501 +.003 +.000 | 9.000 +.003 +.000 | 8.500 +.000 -.003 | 8.999 +.000 -.002 | 9.000 +.003 +.000 | 44.98 |
| U25-9.00 | 9 | 9-1/2 | 1/4 | .275 +.015 +.000 | 9.000 +.000 -.002 | 9.001 +.003 +.000 | 9.500 +.003 +.000 | 9.000 +.000 -.003 | 9.499 +.000 -.002 | 9.500 +.003 +.000 | 33.20 |
| U25-9.50 | 9-1/2 | 10 | 1/4 | .275 +.015 +.000 | 9.500 +.000 -.002 | 9.501 +.003 +.000 | 10.000 +.003 +.000 | 9.500 +.000 -.003 | 9.999 +.000 -.002 | 10.000 +.003 +.000 | 33.88 |

U-SEALS

FORMERLY LISTED SEALS ARE AVAILABLE ONLINE AT WWW.HERCULESUS.COM
OR BY CONTACTING YOUR REGIONAL HERCULES SALES TEAM.



STYLE 800 POLYURETHANE U-SEALS

U-SEALS

| Part Number | A Nom. ID | B Nom. OD | C Nom. Ht | D GROOVE WIDTH | E ROD DIAMETER | F THROAT DIAMETER | G HOUSING DIAMETER | H GROOVE DIAMETER | I PISTON DIAMETER | J BORE DIAMETER | List Price |
|------------------|-----------|-----------|-----------|--|--|--|--|--|--|--|------------|
| U25-9.50-56B | 9-1/2 | 10 | 9/16 | .619 ^{+0.015} / _{+0.000} | 9.500 ^{+0.000} / _{-0.002} | 9.501 ^{+0.003} / _{+0.000} | 10.000 ^{+0.003} / _{+0.000} | 9.500 ^{+0.000} / _{-0.003} | 9.999 ^{+0.000} / _{-0.002} | 10.000 ^{+0.003} / _{+0.000} | 46.54 |
| U25-9.75 | 9-3/4 | 10-1/4 | 1/4 | .275 ^{+0.015} / _{+0.000} | 9.750 ^{+0.000} / _{-0.002} | 9.751 ^{+0.003} / _{+0.000} | 10.250 ^{+0.003} / _{+0.000} | 9.750 ^{+0.000} / _{-0.003} | 10.249 ^{+0.000} / _{-0.002} | 10.250 ^{+0.003} / _{+0.000} | 38.36 |
| U25-10.00 | 10 | 10-1/2 | 1/4 | .275 ^{+0.015} / _{+0.000} | 10.000 ^{+0.000} / _{-0.002} | 10.001 ^{+0.003} / _{+0.000} | 10.500 ^{+0.003} / _{+0.000} | 10.000 ^{+0.000} / _{-0.003} | 10.499 ^{+0.000} / _{-0.002} | 10.500 ^{+0.003} / _{+0.000} | 41.50 |
| U25-10.00-56B | 10 | 10-1/2 | 9/16 | .619 ^{+0.015} / _{+0.000} | 10.000 ^{+0.000} / _{-0.002} | 10.001 ^{+0.003} / _{+0.000} | 10.500 ^{+0.003} / _{+0.000} | 10.000 ^{+0.000} / _{-0.003} | 10.499 ^{+0.000} / _{-0.002} | 10.500 ^{+0.003} / _{+0.000} | 66.69 |
| U25-10.25 | 10-1/4 | 10-3/4 | 1/4 | .275 ^{+0.015} / _{+0.000} | 10.250 ^{+0.000} / _{-0.002} | 10.251 ^{+0.003} / _{+0.000} | 10.750 ^{+0.003} / _{+0.000} | 10.250 ^{+0.000} / _{-0.003} | 10.749 ^{+0.000} / _{-0.002} | 10.750 ^{+0.003} / _{+0.000} | 53.18 |
| .27" C/S | | | | | | | | | | | |
| U27-1.97-50B | 1.97 | 2.51 | 1/2 | .550 ^{+0.015} / _{+0.000} | 1.970 ^{+0.000} / _{-0.002} | 1.971 ^{+0.003} / _{+0.000} | 2.510 ^{+0.003} / _{+0.000} | 1.970 ^{+0.000} / _{-0.003} | 2.509 ^{-0.002} / _{+0.000} | 2.510 ^{+0.003} / _{+0.000} | \$22.66 |
| .275" C/S | | | | | | | | | | | |
| U27-2.97-50B | 2.97 | 3.52 | 1/2 | .550 ^{+0.015} / _{+0.000} | 2.970 ^{+0.000} / _{-0.002} | 2.971 ^{+0.003} / _{+0.000} | 3.520 ^{+0.003} / _{+0.000} | 2.970 ^{+0.000} / _{-0.003} | 3.519 ^{-0.002} / _{+0.000} | 3.520 ^{+0.003} / _{+0.000} | \$24.75 |
| U27-3.97-50B | 3.97 | 4.52 | 1/2 | .550 ^{+0.015} / _{+0.000} | 3.970 ^{+0.000} / _{-0.002} | 3.971 ^{+0.003} / _{+0.000} | 4.520 ^{+0.003} / _{+0.000} | 3.970 ^{+0.000} / _{-0.003} | 4.519 ^{-0.002} / _{+0.000} | 4.520 ^{+0.003} / _{+0.000} | 34.79 |
| U27-4.97-50B | 4.97 | 5.52 | 1/2 | .550 ^{+0.015} / _{+0.000} | 4.970 ^{+0.000} / _{-0.002} | 4.971 ^{+0.003} / _{+0.000} | 5.520 ^{+0.003} / _{+0.000} | 4.970 ^{+0.000} / _{-0.003} | 5.519 ^{-0.002} / _{+0.000} | 5.520 ^{+0.003} / _{+0.000} | 31.64 |
| 9/32" C/S | | | | | | | | | | | |
| U28-1.00 | 1 | 1-9/16 | 9/32 | .310 ^{+0.015} / _{+0.000} | 1.000 ^{+0.000} / _{-0.002} | 1.001 ^{+0.003} / _{+0.000} | 1.563 ^{+0.003} / _{+0.000} | 1.000 ^{+0.000} / _{-0.003} | 1.561 ^{+0.000} / _{-0.002} | 1.563 ^{+0.003} / _{+0.000} | \$6.16 |
| U28-3.18-50B | 3-3/16 | 3-3/4 | 1/2 | .550 ^{+0.015} / _{+0.000} | 3.187 ^{+0.000} / _{-0.002} | 3.189 ^{+0.003} / _{+0.000} | 3.750 ^{+0.003} / _{+0.000} | 3.187 ^{+0.000} / _{-0.003} | 3.749 ^{+0.000} / _{-0.002} | 3.750 ^{+0.003} / _{+0.000} | 17.96 |
| U28-5.43 | 5-7/16 | 6 | 9/32 | .310 ^{+0.015} / _{+0.000} | 5.437 ^{+0.000} / _{-0.002} | 5.439 ^{+0.003} / _{+0.000} | 6.000 ^{+0.003} / _{+0.000} | 5.437 ^{+0.000} / _{-0.003} | 5.999 ^{+0.000} / _{-0.002} | 6.000 ^{+0.003} / _{+0.000} | 25.78 |
| U28-5.43-56B | 5-7/16 | 6 | 9/16 | .619 ^{+0.015} / _{+0.000} | 5.437 ^{+0.000} / _{-0.002} | 5.439 ^{+0.003} / _{+0.000} | 6.000 ^{+0.003} / _{+0.000} | 5.437 ^{+0.000} / _{-0.003} | 5.999 ^{+0.000} / _{-0.002} | 6.000 ^{+0.003} / _{+0.000} | 31.02 |
| .285" C/S | | | | | | | | | | | |
| U28-2.20-50B | 2.2 | 2.77 | 1/2 | .550 ^{+0.015} / _{+0.000} | 2.200 ^{+0.000} / _{-0.002} | 2.201 ^{+0.003} / _{+0.000} | 2.770 ^{+0.003} / _{+0.000} | 2.200 ^{+0.000} / _{-0.003} | 2.769 ^{+0.000} / _{-0.002} | 2.770 ^{+0.003} / _{+0.000} | \$13.01 |
| U28-3.20-50B | 3.2 | 3.77 | 1/2 | .550 ^{+0.015} / _{+0.000} | 3.200 ^{+0.000} / _{-0.002} | 3.201 ^{+0.003} / _{+0.000} | 3.770 ^{+0.003} / _{+0.000} | 3.200 ^{+0.000} / _{-0.003} | 3.769 ^{+0.000} / _{-0.002} | 3.770 ^{+0.003} / _{+0.000} | 17.96 |
| 5/16" C/S | | | | | | | | | | | |
| U31-0.25 | 1/4 | 7/8 | 5/16 | .344 ^{+0.015} / _{+0.000} | .250 ^{+0.000} / _{-0.002} | .252 ^{+0.003} / _{+0.000} | .875 ^{+0.004} / _{+0.000} | .250 ^{+0.000} / _{-0.004} | .873 ^{+0.000} / _{-0.002} | .875 ^{+0.003} / _{+0.000} | \$5.72 |
| U31-0.37 | 3/8 | 1 | 5/16 | .344 ^{+0.015} / _{+0.000} | .375 ^{+0.000} / _{-0.002} | .377 ^{+0.003} / _{+0.000} | 1.000 ^{+0.004} / _{+0.000} | .375 ^{+0.000} / _{-0.004} | .998 ^{+0.000} / _{-0.002} | 1.000 ^{+0.003} / _{+0.000} | 5.98 |
| U31-0.43 | 7/16 | 1-1/16 | 5/16 | .344 ^{+0.015} / _{+0.000} | .437 ^{+0.000} / _{-0.002} | .440 ^{+0.003} / _{+0.000} | 1.063 ^{+0.004} / _{+0.000} | .437 ^{+0.000} / _{-0.004} | 1.060 ^{+0.000} / _{-0.002} | 1.063 ^{+0.003} / _{+0.000} | 6.07 |
| U31-0.50 | 1/2 | 1-1/8 | 5/16 | .344 ^{+0.015} / _{+0.000} | .500 ^{+0.000} / _{-0.002} | .502 ^{+0.003} / _{+0.000} | 1.125 ^{+0.004} / _{+0.000} | .500 ^{+0.000} / _{-0.004} | 1.123 ^{+0.000} / _{-0.002} | 1.125 ^{+0.003} / _{+0.000} | 6.29 |
| U31-0.62 | 5/8 | 1-1/4 | 5/16 | .344 ^{+0.015} / _{+0.000} | .625 ^{+0.000} / _{-0.002} | .627 ^{+0.003} / _{+0.000} | 1.250 ^{+0.004} / _{+0.000} | .625 ^{+0.000} / _{-0.004} | 1.248 ^{+0.000} / _{-0.002} | 1.250 ^{+0.003} / _{+0.000} | 6.26 |
| U31-0.75 | 3/4 | 1-3/8 | 5/16 | .344 ^{+0.015} / _{+0.000} | .750 ^{+0.000} / _{-0.002} | .752 ^{+0.003} / _{+0.000} | 1.375 ^{+0.004} / _{+0.000} | .750 ^{+0.000} / _{-0.004} | 1.373 ^{+0.000} / _{-0.002} | 1.375 ^{+0.003} / _{+0.000} | 6.58 |
| U31-0.75-50B | 3/4 | 1-3/8 | 1/2 | .550 ^{+0.015} / _{+0.000} | .750 ^{+0.000} / _{-0.002} | .752 ^{+0.003} / _{+0.000} | 1.375 ^{+0.004} / _{+0.000} | .750 ^{+0.000} / _{-0.004} | 1.373 ^{+0.000} / _{-0.002} | 1.375 ^{+0.003} / _{+0.000} | 6.82 |
| U31-0.87 | 7/8 | 1-1/2 | 5/16 | .344 ^{+0.015} / _{+0.000} | .875 ^{+0.000} / _{-0.002} | .877 ^{+0.003} / _{+0.000} | 1.500 ^{+0.004} / _{+0.000} | .875 ^{+0.000} / _{-0.004} | 1.498 ^{+0.000} / _{-0.002} | 1.500 ^{+0.003} / _{+0.000} | 6.69 |
| U31-1.00 | 1 | 1-5/8 | 5/16 | .344 ^{+0.015} / _{+0.000} | 1.000 ^{+0.000} / _{-0.002} | 1.002 ^{+0.003} / _{+0.000} | 1.625 ^{+0.004} / _{+0.000} | 1.000 ^{+0.000} / _{-0.004} | 1.623 ^{+0.000} / _{-0.002} | 1.625 ^{+0.003} / _{+0.000} | 6.81 |
| U31-1.00-37B | 1 | 1-5/8 | 3/8 | .413 ^{+0.015} / _{+0.000} | 1.000 ^{+0.000} / _{-0.002} | 1.002 ^{+0.003} / _{+0.000} | 1.625 ^{+0.004} / _{+0.000} | 1.000 ^{+0.000} / _{-0.004} | 1.623 ^{+0.000} / _{-0.002} | 1.625 ^{+0.003} / _{+0.000} | 8.45 |
| U31-1.00-50B | 1 | 1-5/8 | 1/2 | .550 ^{+0.015} / _{+0.000} | 1.000 ^{+0.000} / _{-0.002} | 1.002 ^{+0.003} / _{+0.000} | 1.625 ^{+0.004} / _{+0.000} | 1.000 ^{+0.000} / _{-0.004} | 1.623 ^{+0.000} / _{-0.002} | 1.625 ^{+0.003} / _{+0.000} | 7.07 |
| U31-1.12-SQB | 1-1/8 | 1-3/4 | 5/16 | .344 ^{+0.015} / _{+0.000} | 1.125 ^{+0.000} / _{-0.002} | 1.127 ^{+0.003} / _{+0.000} | 1.750 ^{+0.004} / _{+0.000} | 1.125 ^{+0.000} / _{-0.004} | 1.748 ^{+0.000} / _{-0.002} | 1.750 ^{+0.003} / _{+0.000} | 6.88 |
| U31-1.12-37B | 1-1/8 | 1-3/4 | 3/8 | .413 ^{+0.015} / _{+0.000} | 1.125 ^{+0.000} / _{-0.002} | 1.127 ^{+0.003} / _{+0.000} | 1.750 ^{+0.004} / _{+0.000} | 1.125 ^{+0.000} / _{-0.004} | 1.748 ^{+0.000} / _{-0.002} | 1.750 ^{+0.003} / _{+0.000} | 7.11 |
| U31-1.18 | 1-3/16 | 1-13/16 | 5/16 | .344 ^{+0.015} / _{+0.000} | 1.187 ^{+0.000} / _{-0.002} | 1.190 ^{+0.003} / _{+0.000} | 1.813 ^{+0.004} / _{+0.000} | 1.187 ^{+0.000} / _{-0.004} | 1.810 ^{+0.000} / _{-0.002} | 1.813 ^{+0.003} / _{+0.000} | 6.88 |

NORTH AMERICA
PHONE 1-800-777-5617
FAX 1-800-759-6391

SALES OFFICE HOURS
8 A.M. TO 7:30 P.M. EASTERN TIME
www.HerculesUS.com

WORLDWIDE
PHONE 1-727-796-1300
FAX 1-727-797-8849



STYLE 800 POLYURETHANE U-SEALS

U-SEALS

| Part Number | A Nom. ID | B Nom. OD | C Nom. Ht | D GROOVE WIDTH | E ROD DIAMETER | F THROAT DIAMETER | G HOUSING DIAMETER | H GROOVE DIAMETER | I PISTON DIAMETER | J BORE DIAMETER | List Price |
|--------------|-----------|-----------|-----------|---------------------|----------------------|----------------------|----------------------|----------------------|----------------------|----------------------|------------|
| U31-1.25 | 1-1/4 | 1-7/8 | 5/16 | .344 +.015 +.000 | 1.250 +.000 -.002 | 1.252 +.003 +.000 | 1.875 +.004 +.000 | 1.250 +.000 -.004 | 1.873 +.000 -.002 | 1.875 +.003 +.000 | 7.85 |
| U31-1.25-SQB | 1-1/4 | 1-7/8 | 5/16 | .344 +.015 +.000 | 1.250 +.000 -.002 | 1.252 +.003 +.000 | 1.875 +.004 +.000 | 1.250 +.000 -.004 | 1.873 +.000 -.002 | 1.875 +.003 +.000 | 7.21 |
| U31-1.25-37B | 1-1/4 | 1-7/8 | 3/8 | .413 +.015 +.000 | 1.250 +.000 -.002 | 1.252 +.003 +.000 | 1.875 +.004 +.000 | 1.250 +.000 -.004 | 1.873 +.000 -.002 | 1.875 +.003 +.000 | 7.59 |
| U31-1.25-50B | 1-1/4 | 1-7/8 | 1/2 | .550 +.015 +.000 | 1.250 +.000 -.002 | 1.252 +.003 +.000 | 1.875 +.004 +.000 | 1.250 +.000 -.004 | 1.873 +.000 -.002 | 1.875 +.003 +.000 | 7.59 |
| U31-1.25-50D | 1-1/4 | 1-7/8 | 1/2 | .550 +.015 +.000 | 1.250 +.000 -.002 | 1.252 +.003 +.000 | 1.875 +.004 +.000 | 1.250 +.000 -.004 | 1.873 +.000 -.002 | 1.875 +.003 +.000 | 19.63 |
| U31-1.37 | 1-3/8 | 2 | 5/16 | .344 +.015 +.000 | 1.375 +.000 -.002 | 1.377 +.003 +.000 | 2.000 +.004 +.000 | 1.375 +.000 -.004 | 1.998 +.000 -.002 | 2.000 +.003 +.000 | 7.59 |
| U31-1.37-SQB | 1-3/8 | 2 | 5/16 | .344 +.015 +.000 | 1.375 +.000 -.002 | 1.377 +.003 +.000 | 2.000 +.004 +.000 | 1.375 +.000 -.004 | 1.998 +.000 -.002 | 2.000 +.003 +.000 | 7.59 |
| U31-1.37-37B | 1-3/8 | 2 | 3/8 | .413 +.015 +.000 | 1.375 +.000 -.002 | 1.377 +.003 +.000 | 2.000 +.004 +.000 | 1.375 +.000 -.004 | 1.998 +.000 -.002 | 2.000 +.003 +.000 | 8.14 |
| U31-1.37-50B | 1-3/8 | 2 | 1/2 | .550 +.015 +.000 | 1.375 +.000 -.002 | 1.377 +.003 +.000 | 2.000 +.004 +.000 | 1.375 +.000 -.004 | 1.998 +.000 -.002 | 2.000 +.003 +.000 | 7.90 |
| U31-1.37-50D | 1-3/8 | 2 | 1/2 | .550 +.015 +.000 | 1.375 +.000 -.002 | 1.377 +.003 +.000 | 2.000 +.004 +.000 | 1.375 +.000 -.004 | 1.998 +.000 -.002 | 2.000 +.003 +.000 | 13.26 |
| U31-1.50 | 1-1/2 | 2-1/8 | 5/16 | .344 +.015 +.000 | 1.500 +.000 -.002 | 1.502 +.003 +.000 | 2.125 +.004 +.000 | 1.500 +.000 -.004 | 2.123 +.000 -.002 | 2.125 +.003 +.000 | 7.74 |
| U31-1.50-37B | 1-1/2 | 2-1/8 | 3/8 | .413 +.015 +.000 | 1.500 +.000 -.002 | 1.502 +.003 +.000 | 2.125 +.004 +.000 | 1.500 +.000 -.004 | 2.123 +.000 -.002 | 2.125 +.003 +.000 | 9.11 |
| U31-1.50-43B | 1-1/2 | 2-1/8 | 7/16 | .482 +.015 +.000 | 1.500 +.000 -.002 | 1.502 +.003 +.000 | 2.125 +.004 +.000 | 1.500 +.000 -.004 | 2.123 +.000 -.002 | 2.125 +.003 +.000 | 10.55 |
| U31-1.50-50B | 1-1/2 | 2-1/8 | 1/2 | .550 +.015 +.000 | 1.500 +.000 -.002 | 1.502 +.003 +.000 | 2.125 +.004 +.000 | 1.500 +.000 -.004 | 2.123 +.000 -.002 | 2.125 +.003 +.000 | 9.11 |
| U31-1.50-50D | 1-1/2 | 2-1/8 | 1/2 | .550 +.015 +.000 | 1.500 +.000 -.002 | 1.502 +.003 +.000 | 2.125 +.004 +.000 | 1.500 +.000 -.004 | 2.123 +.000 -.002 | 2.125 +.003 +.000 | 9.11 |
| U31-1.62 | 1-5/8 | 2-1/4 | 5/16 | .344 +.015 +.000 | 1.625 +.000 -.002 | 1.627 +.003 +.000 | 2.250 +.004 +.000 | 1.625 +.000 -.004 | 2.248 +.000 -.002 | 2.250 +.003 +.000 | 8.65 |
| U31-1.62-37B | 1-5/8 | 2-1/4 | 3/8 | .413 +.015 +.000 | 1.625 +.000 -.002 | 1.627 +.003 +.000 | 2.250 +.004 +.000 | 1.625 +.000 -.004 | 2.248 +.000 -.002 | 2.250 +.003 +.000 | 9.62 |
| U31-1.62-50B | 1-5/8 | 2-1/4 | 1/2 | .550 +.015 +.000 | 1.625 +.000 -.002 | 1.627 +.003 +.000 | 2.250 +.004 +.000 | 1.625 +.000 -.004 | 2.248 +.000 -.002 | 2.250 +.003 +.000 | 9.38 |
| U31-1.68 | 1-11/16 | 2-5/16 | 5/16 | .344 +.015 +.000 | 1.687 +.000 -.002 | 1.690 +.003 +.000 | 2.313 +.004 +.000 | 1.687 +.000 -.004 | 2.310 +.000 -.002 | 2.313 +.003 +.000 | 15.28 |
| U31-1.75 | 1-3/4 | 2-3/8 | 5/16 | .344 +.015 +.000 | 1.750 +.000 -.002 | 1.752 +.003 +.000 | 2.375 +.004 +.000 | 1.750 +.000 -.004 | 2.373 +.000 -.002 | 2.375 +.003 +.000 | 9.11 |
| U31-1.75-37B | 1-3/4 | 2-3/8 | 3/8 | .413 +.015 +.000 | 1.750 +.000 -.002 | 1.752 +.003 +.000 | 2.375 +.004 +.000 | 1.750 +.000 -.004 | 2.373 +.000 -.002 | 2.375 +.003 +.000 | 10.12 |
| U31-1.75-50B | 1-3/4 | 2-3/8 | 1/2 | .550 +.015 +.000 | 1.750 +.000 -.002 | 1.752 +.003 +.000 | 2.375 +.004 +.000 | 1.750 +.000 -.004 | 2.373 +.000 -.002 | 2.375 +.003 +.000 | 10.12 |
| U31-1.75-50D | 1-3/4 | 2-3/8 | 1/2 | .550 +.015 +.000 | 1.750 +.000 -.002 | 1.752 +.003 +.000 | 2.375 +.004 +.000 | 1.750 +.000 -.004 | 2.373 +.000 -.002 | 2.375 +.003 +.000 | 10.12 |
| U31-1.87 | 1-7/8 | 2-1/2 | 5/16 | .344 +.015 +.000 | 1.875 +.000 -.002 | 1.877 +.003 +.000 | 2.500 +.004 +.000 | 1.875 +.000 -.004 | 2.498 +.000 -.002 | 2.500 +.003 +.000 | 9.40 |
| U31-1.87-37B | 1-7/8 | 2-1/2 | 3/8 | .413 +.015 +.000 | 1.875 +.000 -.002 | 1.877 +.003 +.000 | 2.500 +.004 +.000 | 1.875 +.000 -.004 | 2.498 +.000 -.002 | 2.500 +.003 +.000 | 10.56 |
| U31-1.87-50B | 1-7/8 | 2-1/2 | 1/2 | .550 +.015 +.000 | 1.875 +.000 -.002 | 1.877 +.003 +.000 | 2.500 +.004 +.000 | 1.875 +.000 -.004 | 2.498 +.000 -.002 | 2.500 +.003 +.000 | 10.56 |
| U31-1.87-50D | 1-7/8 | 2-1/2 | 1/2 | .550 +.015 +.000 | 1.875 +.000 -.002 | 1.877 +.003 +.000 | 2.500 +.004 +.000 | 1.875 +.000 -.004 | 2.498 +.000 -.002 | 2.500 +.003 +.000 | 10.56 |
| U31-1.93 | 1-15/16 | 2-9/16 | 5/16 | .344 +.015 +.000 | 1.937 +.000 -.002 | 1.940 +.003 +.000 | 2.563 +.004 +.000 | 1.937 +.000 -.004 | 2.560 +.000 -.002 | 2.563 +.003 +.000 | 9.63 |
| U31-2.00 | 2 | 2-5/8 | 5/16 | .344 +.015 +.000 | 2.000 +.000 -.002 | 2.002 +.003 +.000 | 2.625 +.004 +.000 | 2.000 +.000 -.004 | 2.623 +.000 -.002 | 2.625 +.003 +.000 | 10.29 |
| U31-2.00-37B | 2 | 2-5/8 | 3/8 | .413 +.015 +.000 | 2.000 +.000 -.002 | 2.002 +.003 +.000 | 2.625 +.004 +.000 | 2.000 +.000 -.004 | 2.623 +.000 -.002 | 2.625 +.003 +.000 | 12.89 |
| U31-2.00-50B | 2 | 2-5/8 | 1/2 | .550 +.015 +.000 | 2.000 +.000 -.002 | 2.002 +.003 +.000 | 2.625 +.004 +.000 | 2.000 +.000 -.004 | 2.623 +.000 -.002 | 2.625 +.003 +.000 | 10.81 |
| U31-2.12-SQB | 2-1/8 | 2-3/4 | 5/16 | .344 +.015 +.000 | 2.125 +.000 -.002 | 2.127 +.003 +.000 | 2.750 +.004 +.000 | 2.125 +.000 -.004 | 2.748 +.000 -.002 | 2.750 +.003 +.000 | 10.81 |
| U31-2.12-50B | 2-1/8 | 2-3/4 | 1/2 | .550 +.015 +.000 | 2.125 +.000 -.002 | 2.127 +.003 +.000 | 2.750 +.004 +.000 | 2.125 +.000 -.004 | 2.748 +.000 -.002 | 2.750 +.003 +.000 | 11.78 |

FORMERLY LISTED SEALS ARE AVAILABLE ONLINE AT WWW.HERCULESUS.COM
OR BY CONTACTING YOUR REGIONAL HERCULES SALES TEAM.



STYLE 800 POLYURETHANE U-SEALS

U-SEALS

| Part Number | A Nom. ID | B Nom. OD | C Nom. Ht | D GROOVE WIDTH | E ROD DIAMETER | F THROAT DIAMETER | G HOUSING DIAMETER | H GROOVE DIAMETER | I PISTON DIAMETER | J BORE DIAMETER | List Price |
|--------------|-----------|-----------|-----------|---------------------|----------------------|----------------------|----------------------|----------------------|----------------------|----------------------|------------|
| U31-2.25 | 2-1/4 | 2-7/8 | 5/16 | .344 +.015 +.000 | 2.250 +.000 -.002 | 2.252 +.003 +.000 | 2.875 +.004 +.000 | 2.250 +.000 -.004 | 2.873 +.000 -.002 | 2.875 +.003 +.000 | 10.81 |
| U31-2.25-50B | 2-1/4 | 2-7/8 | 1/2 | .550 +.015 +.000 | 2.250 +.000 -.002 | 2.252 +.003 +.000 | 2.875 +.004 +.000 | 2.250 +.000 -.004 | 2.873 +.000 -.002 | 2.875 +.003 +.000 | 12.13 |
| U31-2.37 | 2-3/8 | 3 | 5/16 | .344 +.015 +.000 | 2.375 +.000 -.002 | 2.377 +.003 +.000 | 3.000 +.004 +.000 | 2.375 +.000 -.004 | 2.998 +.000 -.002 | 3.000 +.003 +.000 | 11.37 |
| U31-2.37-50B | 2-3/8 | 3 | 1/2 | .550 +.015 +.000 | 2.375 +.000 -.002 | 2.377 +.003 +.000 | 3.000 +.004 +.000 | 2.375 +.000 -.004 | 2.998 +.000 -.002 | 3.000 +.003 +.000 | 12.40 |
| U31-2.37-50D | 2-3/8 | 3 | 1/2 | .550 +.015 +.000 | 2.375 +.000 -.002 | 2.377 +.003 +.000 | 3.000 +.004 +.000 | 2.375 +.000 -.004 | 2.998 +.000 -.002 | 3.000 +.003 +.000 | 14.61 |
| U31-2.50 | 2-1/2 | 3-1/8 | 5/16 | .344 +.015 +.000 | 2.500 +.000 -.002 | 2.502 +.003 +.000 | 3.125 +.004 +.000 | 2.500 +.000 -.004 | 3.123 +.000 -.002 | 3.125 +.003 +.000 | 11.85 |
| U31-2.50-50B | 2-1/2 | 3-1/8 | 1/2 | .550 +.015 +.000 | 2.500 +.000 -.002 | 2.502 +.003 +.000 | 3.125 +.004 +.000 | 2.500 +.000 -.004 | 3.123 +.000 -.002 | 3.125 +.003 +.000 | 12.92 |
| U31-2.50-50D | 2-1/2 | 3-1/8 | 1/2 | .550 +.015 +.000 | 2.500 +.000 -.002 | 2.502 +.003 +.000 | 3.125 +.004 +.000 | 2.500 +.000 -.004 | 3.123 +.000 -.002 | 3.125 +.003 +.000 | 14.69 |
| U31-2.56 | 2-9/16 | 3-3/16 | 5/16 | .344 +.015 +.000 | 2.562 +.000 -.002 | 2.565 +.003 +.000 | 3.188 +.004 +.000 | 2.562 +.000 -.004 | 3.186 +.000 -.002 | 3.188 +.003 +.000 | 12.13 |
| U31-2.62 | 2-5/8 | 3-1/4 | 5/16 | .344 +.015 +.000 | 2.625 +.000 -.002 | 2.627 +.003 +.000 | 3.250 +.004 +.000 | 2.625 +.000 -.004 | 3.248 +.000 -.002 | 3.250 +.003 +.000 | 12.89 |
| U31-2.62-50B | 2-5/8 | 3-1/4 | 1/2 | .550 +.015 +.000 | 2.625 +.000 -.002 | 2.627 +.003 +.000 | 3.250 +.004 +.000 | 2.625 +.000 -.004 | 3.248 +.000 -.002 | 3.250 +.003 +.000 | 14.03 |
| U31-2.75 | 2-3/4 | 3-3/8 | 5/16 | .344 +.015 +.000 | 2.750 +.000 -.002 | 2.752 +.003 +.000 | 3.375 +.004 +.000 | 2.750 +.000 -.004 | 3.373 +.000 -.002 | 3.375 +.003 +.000 | 12.67 |
| U31-2.75-50B | 2-3/4 | 3-3/8 | 1/2 | .550 +.015 +.000 | 2.750 +.000 -.002 | 2.752 +.003 +.000 | 3.375 +.004 +.000 | 2.750 +.000 -.004 | 3.373 +.000 -.002 | 3.375 +.003 +.000 | 14.03 |
| U31-2.87 | 2-7/8 | 3-1/2 | 5/16 | .344 +.015 +.000 | 2.875 +.000 -.002 | 2.877 +.003 +.000 | 3.500 +.004 +.000 | 2.875 +.000 -.004 | 3.498 +.000 -.002 | 3.500 +.003 +.000 | 13.89 |
| U31-2.87-50B | 2-7/8 | 3-1/2 | 1/2 | .550 +.015 +.000 | 2.875 +.000 -.002 | 2.877 +.003 +.000 | 3.500 +.004 +.000 | 2.875 +.000 -.004 | 3.498 +.000 -.002 | 3.500 +.003 +.000 | 15.14 |
| U31-3.00 | 3 | 3-5/8 | 5/16 | .344 +.015 +.000 | 3.000 +.000 -.002 | 3.002 +.003 +.000 | 3.625 +.004 +.000 | 3.000 +.000 -.004 | 3.623 +.000 -.002 | 3.625 +.003 +.000 | 14.46 |
| U31-3.00-37B | 3 | 3-5/8 | 3/8 | .413 +.015 +.000 | 3.000 +.000 -.002 | 3.002 +.003 +.000 | 3.625 +.004 +.000 | 3.000 +.000 -.004 | 3.623 +.000 -.002 | 3.625 +.003 +.000 | 15.90 |
| U31-3.00-50B | 3 | 3-5/8 | 1/2 | .550 +.015 +.000 | 3.000 +.000 -.002 | 3.002 +.003 +.000 | 3.625 +.004 +.000 | 3.000 +.000 -.004 | 3.623 +.000 -.002 | 3.625 +.003 +.000 | 15.18 |
| U31-3.12-SQB | 3-1/8 | 3-3/4 | 5/16 | .344 +.015 +.000 | 3.125 +.000 -.002 | 3.127 +.003 +.000 | 3.750 +.004 +.000 | 3.125 +.000 -.004 | 3.748 +.000 -.002 | 3.750 +.003 +.000 | 14.32 |
| U31-3.25 | 3-1/4 | 3-7/8 | 5/16 | .344 +.015 +.000 | 3.250 +.000 -.002 | 3.252 +.003 +.000 | 3.875 +.004 +.000 | 3.250 +.000 -.004 | 3.873 +.000 -.002 | 3.875 +.003 +.000 | 15.46 |
| U31-3.25-50B | 3-1/4 | 3-7/8 | 1/2 | .550 +.015 +.000 | 3.250 +.000 -.002 | 3.252 +.003 +.000 | 3.875 +.004 +.000 | 3.250 +.000 -.004 | 3.873 +.000 -.002 | 3.875 +.003 +.000 | 17.05 |
| U31-3.37 | 3-3/8 | 4 | 5/16 | .344 +.015 +.000 | 3.375 +.000 -.002 | 3.377 +.003 +.000 | 4.000 +.004 +.000 | 3.375 +.000 -.004 | 3.998 +.000 -.002 | 4.000 +.003 +.000 | 15.47 |
| U31-3.37-50B | 3-3/8 | 4 | 1/2 | .550 +.015 +.000 | 3.375 +.000 -.002 | 3.377 +.003 +.000 | 4.000 +.004 +.000 | 3.375 +.000 -.004 | 3.998 +.000 -.002 | 4.000 +.003 +.000 | 16.87 |
| U31-3.37-62B | 3-3/8 | 4 | 5/8 | .688 +.015 +.000 | 3.375 +.000 -.002 | 3.377 +.003 +.000 | 4.000 +.004 +.000 | 3.375 +.000 -.004 | 3.998 +.000 -.002 | 4.000 +.003 +.000 | 17.14 |
| U31-3.50 | 3-1/2 | 4-1/8 | 5/16 | .344 +.015 +.000 | 3.500 +.000 -.002 | 3.502 +.003 +.000 | 4.125 +.004 +.000 | 3.500 +.000 -.004 | 4.123 +.000 -.002 | 4.125 +.003 +.000 | 16.73 |
| U31-3.50-50B | 3-1/2 | 4-1/8 | 1/2 | .550 +.015 +.000 | 3.500 +.000 -.002 | 3.502 +.003 +.000 | 4.125 +.004 +.000 | 3.500 +.000 -.004 | 4.123 +.000 -.002 | 4.125 +.003 +.000 | 18.41 |
| U31-3.50-50D | 3-1/2 | 4-1/8 | 1/2 | .550 +.015 +.000 | 3.500 +.000 -.002 | 3.502 +.003 +.000 | 4.125 +.004 +.000 | 3.500 +.000 -.004 | 4.123 +.000 -.002 | 4.125 +.003 +.000 | 18.41 |
| U31-3.62 | 3-5/8 | 4-1/4 | 5/16 | .344 +.015 +.000 | 3.625 +.000 -.002 | 3.627 +.003 +.000 | 4.250 +.004 +.000 | 3.625 +.000 -.004 | 4.248 +.000 -.002 | 4.250 +.003 +.000 | 17.07 |
| U31-3.62-50B | 3-5/8 | 4-1/4 | 1/2 | .550 +.015 +.000 | 3.625 +.000 -.002 | 3.627 +.003 +.000 | 4.250 +.004 +.000 | 3.625 +.000 -.004 | 4.248 +.000 -.002 | 4.250 +.003 +.000 | 18.98 |
| U31-3.75 | 3-3/4 | 4-3/8 | 5/16 | .344 +.015 +.000 | 3.750 +.000 -.002 | 3.752 +.003 +.000 | 4.375 +.004 +.000 | 3.750 +.000 -.004 | 4.373 +.000 -.002 | 4.375 +.003 +.000 | 17.06 |
| U31-3.75-37B | 3-3/4 | 4-3/8 | 3/8 | .413 +.015 +.000 | 3.750 +.000 -.002 | 3.752 +.003 +.000 | 4.375 +.004 +.000 | 3.750 +.000 -.004 | 4.373 +.000 -.002 | 4.375 +.003 +.000 | 19.59 |
| U31-3.75-50B | 3-3/4 | 4-3/8 | 1/2 | .550 +.015 +.000 | 3.750 +.000 -.002 | 3.752 +.003 +.000 | 4.375 +.004 +.000 | 3.750 +.000 -.004 | 4.373 +.000 -.002 | 4.375 +.003 +.000 | 19.59 |
| U31-3.75-62B | 3-3/4 | 4-3/8 | 5/8 | .688 +.015 +.000 | 3.750 +.000 -.002 | 3.752 +.003 +.000 | 4.375 +.004 +.000 | 3.750 +.000 -.004 | 4.373 +.000 -.002 | 4.375 +.003 +.000 | 20.38 |

NORTH AMERICA
PHONE 1-800-777-5617
FAX 1-800-759-6391

SALES OFFICE HOURS
8 A.M. TO 7:30 P.M. EASTERN TIME
www.HerculesUS.com

WORLDWIDE
PHONE 1-727-796-1300
FAX 1-727-797-8849

STYLE 800 POLYURETHANE U-SEALS

| Part Number | A Nom. ID | B Nom. OD | C Nom. Ht | D GROOVE WIDTH | E ROD DIAMETER | F THROAT DIAMETER | G HOUSING DIAMETER | H GROOVE DIAMETER | I PISTON DIAMETER | J BORE DIAMETER | List Price |
|--------------|-----------|-----------|-----------|---------------------|----------------------|----------------------|----------------------|----------------------|----------------------|----------------------|------------|
| U31-3.87 | 3-7/8 | 4-1/2 | 5/16 | .344 +.015 +.000 | 3.875 +.000 -.002 | 3.877 +.003 +.000 | 4.500 +.004 +.000 | 3.875 +.000 -.004 | 4.498 +.000 -.002 | 4.500 +.003 +.000 | 17.63 |
| U31-3.87-50B | 3-7/8 | 4-1/2 | 1/2 | .550 +.015 +.000 | 3.875 +.000 -.002 | 3.877 +.003 +.000 | 4.500 +.004 +.000 | 3.875 +.000 -.004 | 4.498 +.000 -.002 | 4.500 +.003 +.000 | 20.38 |
| U31-4.00 | 4 | 4-5/8 | 5/16 | .344 +.015 +.000 | 4.000 +.000 -.002 | 4.002 +.003 +.000 | 4.625 +.004 +.000 | 4.000 +.000 -.004 | 4.623 +.000 -.002 | 4.625 +.003 +.000 | 18.90 |
| U31-4.00-56B | 4 | 4-5/8 | 9/16 | .619 +.015 +.000 | 4.000 +.000 -.002 | 4.002 +.003 +.000 | 4.625 +.004 +.000 | 4.000 +.000 -.004 | 4.623 +.000 -.002 | 4.625 +.003 +.000 | 19.93 |
| U31-4.12 | 4-1/8 | 4-3/4 | 5/16 | .344 +.015 +.000 | 4.125 +.000 -.002 | 4.127 +.003 +.000 | 4.750 +.004 +.000 | 4.125 +.000 -.004 | 4.748 +.000 -.002 | 4.750 +.003 +.000 | 18.76 |
| U31-4.12-56B | 4-1/8 | 4-3/4 | 9/16 | .619 +.015 +.000 | 4.125 +.000 -.002 | 4.127 +.003 +.000 | 4.750 +.004 +.000 | 4.125 +.000 -.004 | 4.748 +.000 -.002 | 4.750 +.003 +.000 | 20.38 |
| U31-4.25 | 4-1/4 | 4-7/8 | 5/16 | .344 +.015 +.000 | 4.250 +.000 -.002 | 4.252 +.003 +.000 | 4.875 +.004 +.000 | 4.250 +.000 -.004 | 4.873 +.000 -.002 | 4.875 +.003 +.000 | 19.32 |
| U31-4.25-56B | 4-1/4 | 4-7/8 | 9/16 | .619 +.015 +.000 | 4.250 +.000 -.002 | 4.252 +.003 +.000 | 4.875 +.004 +.000 | 4.250 +.000 -.004 | 4.873 +.000 -.002 | 4.875 +.003 +.000 | 20.96 |
| U31-4.37 | 4-3/8 | 5 | 5/16 | .344 +.015 +.000 | 4.375 +.000 -.002 | 4.377 +.003 +.000 | 5.000 +.004 +.000 | 4.375 +.000 -.004 | 4.998 +.000 -.002 | 5.000 +.003 +.000 | 19.87 |
| U31-4.37-50B | 4-3/8 | 5 | 1/2 | .550 +.015 +.000 | 4.375 +.000 -.002 | 4.377 +.003 +.000 | 5.000 +.004 +.000 | 4.375 +.000 -.004 | 4.998 +.000 -.002 | 5.000 +.003 +.000 | 22.56 |
| U31-4.37-56B | 4-3/8 | 5 | 9/16 | .619 +.015 +.000 | 4.375 +.000 -.002 | 4.377 +.003 +.000 | 5.000 +.004 +.000 | 4.375 +.000 -.004 | 4.998 +.000 -.002 | 5.000 +.003 +.000 | 22.56 |
| U31-4.50 | 4-1/2 | 5-1/8 | 5/16 | .344 +.015 +.000 | 4.500 +.000 -.002 | 4.502 +.003 +.000 | 5.125 +.004 +.000 | 4.500 +.000 -.004 | 5.123 +.000 -.002 | 5.125 +.003 +.000 | 20.38 |
| U31-4.50-50B | 4-1/2 | 5-1/8 | 1/2 | .550 +.015 +.000 | 4.500 +.000 -.002 | 4.502 +.003 +.000 | 5.125 +.004 +.000 | 4.500 +.000 -.004 | 5.123 +.000 -.002 | 5.125 +.003 +.000 | 23.22 |
| U31-4.50-62B | 4-1/2 | 5-1/8 | 5/8 | .688 +.015 +.000 | 4.500 +.000 -.002 | 4.502 +.003 +.000 | 5.125 +.004 +.000 | 4.500 +.000 -.004 | 5.123 +.000 -.002 | 5.125 +.003 +.000 | 22.71 |
| U31-4.62-62B | 4-5/8 | 5-1/4 | 5/8 | .688 +.015 +.000 | 4.625 +.000 -.002 | 4.627 +.003 +.000 | 5.250 +.004 +.000 | 4.625 +.000 -.004 | 5.248 +.000 -.002 | 5.250 +.003 +.000 | 24.38 |
| U31-4.75 | 4-3/4 | 5-3/8 | 5/16 | .344 +.015 +.000 | 4.750 +.000 -.002 | 4.752 +.003 +.000 | 5.375 +.004 +.000 | 4.750 +.000 -.004 | 5.373 +.000 -.002 | 5.375 +.003 +.000 | 21.43 |
| U31-4.75-62B | 4-3/4 | 5-3/8 | 5/8 | .688 +.015 +.000 | 4.750 +.000 -.002 | 4.752 +.003 +.000 | 5.375 +.004 +.000 | 4.750 +.000 -.004 | 5.373 +.000 -.002 | 5.375 +.003 +.000 | 25.30 |
| U31-4.87 | 4-7/8 | 5-1/2 | 5/16 | .344 +.015 +.000 | 4.875 +.000 -.002 | 4.877 +.003 +.000 | 5.500 +.004 +.000 | 4.875 +.000 -.004 | 5.498 +.000 -.002 | 5.500 +.003 +.000 | 21.99 |
| U31-5.00 | 5 | 5-5/8 | 5/16 | .344 +.015 +.000 | 5.000 +.000 -.002 | 5.002 +.003 +.000 | 5.625 +.004 +.000 | 5.000 +.000 -.004 | 5.623 +.000 -.002 | 5.625 +.003 +.000 | 22.38 |
| U31-5.00-62B | 5 | 5-5/8 | 5/8 | .688 +.015 +.000 | 5.000 +.000 -.002 | 5.002 +.003 +.000 | 5.625 +.004 +.000 | 5.000 +.000 -.004 | 5.623 +.000 -.002 | 5.625 +.003 +.000 | 27.25 |
| U31-5.00-62D | 5 | 5-5/8 | 5/8 | .688 +.015 +.000 | 5.000 +.000 -.002 | 5.002 +.003 +.000 | 5.625 +.004 +.000 | 5.000 +.000 -.004 | 5.623 +.000 -.002 | 5.625 +.003 +.000 | 28.81 |
| U31-5.12 | 5-1/8 | 5-3/4 | 5/16 | .344 +.015 +.000 | 5.125 +.000 -.002 | 5.127 +.003 +.000 | 5.750 +.004 +.000 | 5.125 +.000 -.004 | 5.748 +.000 -.002 | 5.750 +.003 +.000 | 22.71 |
| U31-5.25 | 5-1/4 | 5-7/8 | 5/16 | .344 +.015 +.000 | 5.250 +.000 -.002 | 5.252 +.003 +.000 | 5.875 +.004 +.000 | 5.250 +.000 -.004 | 5.873 +.000 -.002 | 5.875 +.003 +.000 | 23.35 |
| U31-5.25-62B | 5-1/4 | 5-7/8 | 5/8 | .688 +.015 +.000 | 5.250 +.000 -.002 | 5.252 +.003 +.000 | 5.875 +.004 +.000 | 5.250 +.000 -.004 | 5.873 +.000 -.002 | 5.875 +.003 +.000 | 29.14 |
| U31-5.37 | 5-3/8 | 6 | 5/16 | .344 +.015 +.000 | 5.375 +.000 -.002 | 5.377 +.003 +.000 | 6.000 +.004 +.000 | 5.375 +.000 -.004 | 5.998 +.000 -.002 | 6.000 +.003 +.000 | 24.18 |
| U31-5.37-SQB | 5-3/8 | 6 | 5/16 | .344 +.015 +.000 | 5.375 +.000 -.002 | 5.377 +.003 +.000 | 6.000 +.004 +.000 | 5.375 +.000 -.004 | 5.998 +.000 -.002 | 6.000 +.003 +.000 | 24.79 |
| U31-5.37-62B | 5-3/8 | 6 | 5/8 | .688 +.015 +.000 | 5.375 +.000 -.002 | 5.377 +.003 +.000 | 6.000 +.004 +.000 | 5.375 +.000 -.004 | 5.998 +.000 -.002 | 6.000 +.003 +.000 | 28.88 |
| U31-5.50-SQB | 5-1/2 | 6-1/8 | 5/16 | .344 +.015 +.000 | 5.500 +.000 -.002 | 5.502 +.003 +.000 | 6.125 +.004 +.000 | 5.500 +.000 -.004 | 6.123 +.000 -.002 | 6.125 +.003 +.000 | 24.79 |
| U31-5.50-62B | 5-1/2 | 6-1/8 | 5/8 | .688 +.015 +.000 | 5.500 +.000 -.002 | 5.502 +.003 +.000 | 6.125 +.004 +.000 | 5.500 +.000 -.004 | 6.123 +.000 -.002 | 6.125 +.003 +.000 | 30.23 |
| U31-5.62 | 5-5/8 | 6-1/4 | 5/16 | .344 +.015 +.000 | 5.625 +.000 -.002 | 5.627 +.003 +.000 | 6.250 +.004 +.000 | 5.625 +.000 -.004 | 6.248 +.000 -.002 | 6.250 +.003 +.000 | 30.75 |
| U31-5.75-62B | 5-3/4 | 6-3/8 | 5/8 | .688 +.015 +.000 | 5.750 +.000 -.002 | 5.752 +.003 +.000 | 6.375 +.004 +.000 | 5.750 +.000 -.004 | 6.373 +.000 -.002 | 6.375 +.003 +.000 | 33.03 |
| U31-5.87 | 5-7/8 | 6-1/2 | 5/16 | .344 +.015 +.000 | 5.875 +.000 -.002 | 5.877 +.003 +.000 | 6.500 +.004 +.000 | 5.875 +.000 -.004 | 6.498 +.000 -.002 | 6.500 +.003 +.000 | 25.85 |
| U31-6.00 | 6 | 6-5/8 | 5/16 | .344 +.015 +.000 | 6.000 +.000 -.002 | 6.002 +.003 +.000 | 6.625 +.004 +.000 | 6.000 +.000 -.004 | 6.623 +.000 -.002 | 6.625 +.003 +.000 | 26.31 |

U-SEALS



STYLE 800 POLYURETHANE U-SEALS

U-SEALS

| Part Number | A Nom. ID | B Nom. OD | C Nom. Ht | D GROOVE WIDTH | E ROD DIAMETER | F THROAT DIAMETER | G HOUSING DIAMETER | H GROOVE DIAMETER | I PISTON DIAMETER | J BORE DIAMETER | List Price |
|-------------------|-----------|-----------|-----------|--|--|---|--|--|--|--|------------|
| U31-6.00-62B | 6 | 6-5/8 | 5/8 | .688 ^{+0.015} / _{+0.000} | 6.000 ^{+0.000} / _{-.002} | 6.002 ^{+0.003} / _{+0.000} | 6.625 ^{+0.004} / _{+0.000} | 6.000 ^{+0.000} / _{-.004} | 6.623 ^{+0.000} / _{-.002} | 6.625 ^{+0.003} / _{+0.000} | 33.12 |
| U31-6.12 | 6-1/8 | 6-3/4 | 5/16 | .344 ^{+0.015} / _{+0.000} | 6.125 ^{+0.000} / _{-.002} | 6.127 ^{+0.003} / _{+0.000} | 6.750 ^{+0.004} / _{+0.000} | 6.125 ^{+0.000} / _{-.004} | 6.748 ^{+0.000} / _{-.002} | 6.750 ^{+0.003} / _{+0.000} | 26.40 |
| U31-6.25 | 6-1/4 | 6-7/8 | 5/16 | .344 ^{+0.015} / _{+0.000} | 6.250 ^{+0.000} / _{-.002} | 6.252 ^{+0.003} / _{+0.000} | 6.875 ^{+0.004} / _{+0.000} | 6.250 ^{+0.000} / _{-.004} | 6.873 ^{+0.000} / _{-.002} | 6.875 ^{+0.003} / _{+0.000} | 27.28 |
| U31-6.37 | 6-3/8 | 7 | 5/16 | .344 ^{+0.015} / _{+0.000} | 6.375 ^{+0.000} / _{-.002} | 6.377 ^{+0.003} / _{+0.000} | 7.000 ^{+0.004} / _{+0.000} | 6.375 ^{+0.000} / _{-.004} | 6.998 ^{+0.000} / _{-.002} | 7.000 ^{+0.003} / _{+0.000} | 27.28 |
| U31-6.37N | 6-3/8 | 7 | 5/16 | .344 ^{+0.015} / _{+0.000} | 6.375 ^{+0.000} / _{-.002} | 6.377 ^{+0.003} / _{+0.000} | 7.000 ^{+0.004} / _{+0.000} | 6.375 ^{+0.000} / _{-.004} | 6.998 ^{+0.000} / _{-.002} | 7.000 ^{+0.003} / _{+0.000} | 112.78 |
| U31-6.37-62D | 6-3/8 | 7 | 5/8 | .688 ^{+0.015} / _{+0.000} | 6.375 ^{+0.000} / _{-.002} | 6.377 ^{+0.003} / _{+0.000} | 7.000 ^{+0.004} / _{+0.000} | 6.375 ^{+0.000} / _{-.004} | 6.998 ^{+0.000} / _{-.002} | 7.000 ^{+0.003} / _{+0.000} | 52.05 |
| U31-6.50 | 6-1/2 | 7-1/8 | 5/16 | .344 ^{+0.015} / _{+0.000} | 6.500 ^{+0.000} / _{-.002} | 6.502 ^{+0.003} / _{+0.000} | 7.125 ^{+0.004} / _{+0.000} | 6.500 ^{+0.000} / _{-.004} | 7.123 ^{+0.000} / _{-.002} | 7.125 ^{+0.003} / _{+0.000} | 27.80 |
| U31-6.50-62B | 6-1/2 | 7-1/8 | 5/8 | .688 ^{+0.015} / _{+0.000} | 6.500 ^{+0.000} / _{-.002} | 6.502 ^{+0.003} / _{+0.000} | 7.125 ^{+0.004} / _{+0.000} | 6.500 ^{+0.000} / _{-.004} | 7.123 ^{+0.000} / _{-.002} | 7.125 ^{+0.003} / _{+0.000} | 36.63 |
| U31-6.62 | 6-5/8 | 7-1/4 | 5/16 | .344 ^{+0.015} / _{+0.000} | 6.625 ^{+0.000} / _{-.002} | 6.627 ^{+0.003} / _{+0.000} | 7.250 ^{+0.004} / _{+0.000} | 6.625 ^{+0.000} / _{-.004} | 7.248 ^{+0.000} / _{-.002} | 7.250 ^{+0.003} / _{+0.000} | 28.21 |
| U31-7.00-62B | 7 | 7-5/8 | 5/8 | .688 ^{+0.015} / _{+0.000} | 7.000 ^{+0.000} / _{-.002} | 7.002 ^{+0.003} / _{+0.000} | 7.625 ^{+0.004} / _{+0.000} | 7.000 ^{+0.000} / _{-.004} | 7.623 ^{+0.000} / _{-.002} | 7.625 ^{+0.003} / _{+0.000} | 40.04 |
| U31-7.37 | 7-3/8 | 8 | 5/16 | .344 ^{+0.015} / _{+0.000} | 7.375 ^{+0.000} / _{-.002} | 7.377 ^{+0.003} / _{+0.000} | 8.000 ^{+0.004} / _{+0.000} | 7.375 ^{+0.000} / _{-.004} | 7.998 ^{+0.000} / _{-.002} | 8.000 ^{+0.003} / _{+0.000} | 31.33 |
| U31-7.37N | 7-3/8 | 8 | 5/16 | .344 ^{+0.015} / _{+0.000} | 7.375 ^{+0.000} / _{-.002} | 7.377 ^{+0.003} / _{+0.000} | 8.000 ^{+0.004} / _{+0.000} | 7.375 ^{+0.000} / _{-.004} | 7.998 ^{+0.000} / _{-.002} | 8.000 ^{+0.003} / _{+0.000} | 138.89 |
| U31-8.00-62B | 8 | 8-5/8 | 5/8 | .688 ^{+0.015} / _{+0.000} | 8.000 ^{+0.000} / _{-.002} | 8.002 ^{+0.003} / _{+0.000} | 8.625 ^{+0.004} / _{+0.000} | 8.000 ^{+0.000} / _{-.004} | 8.623 ^{+0.000} / _{-.002} | 8.625 ^{+0.003} / _{+0.000} | 48.30 |
| 11/32" C/S | | | | | | | | | | | |
| U34-9.31 | 9-5/16 | 10 | 11/32 | .379 ^{+0.015} / _{+0.000} | 9.312 ^{+0.000} / _{-.002} | 9.314 ^{+0.003} / _{+0.000} | 10.000 ^{+0.004} / _{+0.000} | 9.312 ^{+0.000} / _{-.004} | 9.998 ^{+0.000} / _{-.002} | 10.000 ^{+0.003} / _{+0.000} | \$59.74 |
| 3/8" C/S | | | | | | | | | | | |
| U37-0.50 | 1/2 | 1-1/4 | 3/8 | .413 ^{+0.015} / _{+0.000} | .500 ^{+0.000} / _{-.002} | .502 ^{+0.004} / _{+0.000} | 1.250 ^{+0.005} / _{+0.000} | .500 ^{+0.000} / _{-.005} | 1.248 ^{+0.000} / _{-.002} | 1.250 ^{+0.004} / _{+0.000} | \$7.74 |
| U37-0.75 | 3/4 | 1-1/2 | 3/8 | .413 ^{+0.015} / _{+0.000} | .750 ^{+0.000} / _{-.002} | .751 ^{+0.004} / _{+0.000} | 1.500 ^{+0.005} / _{+0.000} | .750 ^{+0.000} / _{-.005} | 1.499 ^{+0.000} / _{-.002} | 1.500 ^{+0.004} / _{+0.000} | 8.21 |
| U37-0.81 | 13/16 | 1-9/16 | 3/8 | .413 ^{+0.015} / _{+0.000} | .812 ^{+0.000} / _{-.002} | .814 ^{+0.004} / _{+0.000} | 1.563 ^{+0.005} / _{+0.000} | .812 ^{+0.000} / _{-.005} | 1.560 ^{+0.000} / _{-.002} | 1.563 ^{+0.004} / _{+0.000} | 8.65 |
| U37-0.81-SQB | 13/16 | 1-9/16 | 3/8 | .413 ^{+0.015} / _{+0.000} | .812 ^{+0.000} / _{-.002} | .814 ^{+0.004} / _{+0.000} | 1.563 ^{+0.005} / _{+0.000} | .812 ^{+0.000} / _{-.005} | 1.560 ^{+0.000} / _{-.002} | 1.563 ^{+0.004} / _{+0.000} | 8.65 |
| U37-0.87 | 7/8 | 1-5/8 | 3/8 | .413 ^{+0.015} / _{+0.000} | .875 ^{+0.000} / _{-.002} | .877 ^{+0.004} / _{+0.000} | 1.625 ^{+0.005} / _{+0.000} | .875 ^{+0.000} / _{-.005} | 1.623 ^{+0.000} / _{-.002} | 1.625 ^{+0.004} / _{+0.000} | 8.74 |
| U37-0.93 | 15/16 | 1-11/16 | 3/8 | .413 ^{+0.015} / _{+0.000} | .937 ^{+0.000} / _{-.002} | .939 ^{+0.004} / _{+0.000} | 1.688 ^{+0.005} / _{+0.000} | .937 ^{+0.000} / _{-.005} | 1.685 ^{+0.000} / _{-.002} | 1.688 ^{+0.004} / _{+0.000} | 8.48 |
| U37-1.00 | 1 | 1-3/4 | 3/8 | .413 ^{+0.015} / _{+0.000} | 1.000 ^{+0.000} / _{-.002} | 1.002 ^{+0.004} / _{+0.000} | 1.750 ^{+0.005} / _{+0.000} | 1.000 ^{+0.000} / _{-.005} | 1.748 ^{+0.000} / _{-.002} | 1.750 ^{+0.004} / _{+0.000} | 9.00 |
| U37-1.00-62D | 1 | 1-3/4 | 5/8 | .688 ^{+0.015} / _{+0.000} | 1.000 ^{+0.000} / _{-.002} | 1.002 ^{+0.004} / _{+0.000} | 1.750 ^{+0.005} / _{+0.000} | 1.000 ^{+0.000} / _{-.005} | 1.748 ^{+0.000} / _{-.002} | 1.750 ^{+0.004} / _{+0.000} | 9.00 |
| U37-1.12 | 1-1/8 | 1-7/8 | 3/8 | .413 ^{+0.015} / _{+0.000} | 1.125 ^{+0.000} / _{-.002} | 1.127 ^{+0.004} / _{+0.000} | 1.875 ^{+0.005} / _{+0.000} | 1.125 ^{+0.000} / _{-.005} | 1.873 ^{+0.000} / _{-.002} | 1.875 ^{+0.004} / _{+0.000} | 9.34 |
| U37-1.25 | 1-1/4 | 2 | 3/8 | .413 ^{+0.015} / _{+0.000} | 1.250 ^{+0.000} / _{-.002} | 1.252 ^{+0.004} / _{+0.000} | 2.000 ^{+0.005} / _{+0.000} | 1.250 ^{+0.000} / _{-.005} | 1.998 ^{+0.000} / _{-.002} | 2.000 ^{+0.004} / _{+0.000} | 9.78 |
| U37-1.25-62D | 1-1/4 | 2 | 5/8 | .688 ^{+0.015} / _{+0.000} | 1.250 ^{+0.000} / _{-.002} | 1.252 ^{+0.004} / _{+0.000} | 2.000 ^{+0.005} / _{+0.000} | 1.250 ^{+0.000} / _{-.005} | 1.998 ^{+0.000} / _{-.002} | 2.000 ^{+0.004} / _{+0.000} | 10.93 |
| U37-1.37 | 1-3/8 | 2-1/8 | 3/8 | .413 ^{+0.015} / _{+0.000} | 1.375 ^{+0.000} / _{-.002} | 1.377 ^{+0.004} / _{+0.000} | 2.125 ^{+0.005} / _{+0.000} | 1.375 ^{+0.000} / _{-.005} | 2.123 ^{+0.000} / _{-.002} | 2.125 ^{+0.004} / _{+0.000} | 10.39 |
| U37-1.50 | 1-1/2 | 2-1/4 | 3/8 | .413 ^{+0.015} / _{+0.000} | 1.500 ^{+0.000} / _{-.002} | 1.502 ^{+0.004} / _{+0.000} | 2.250 ^{+0.005} / _{+0.000} | 1.500 ^{+0.000} / _{-.005} | 2.248 ^{+0.000} / _{-.002} | 2.250 ^{+0.004} / _{+0.000} | 10.58 |
| U37-1.50-50B | 1-1/2 | 2-1/4 | 1/2 | .550 ^{+0.015} / _{+0.000} | 1.500 ^{+0.000} / _{-.002} | 1.502 ^{+0.004} / _{+0.000} | 2.250 ^{+0.005} / _{+0.000} | 1.500 ^{+0.000} / _{-.005} | 2.248 ^{+0.000} / _{-.002} | 2.250 ^{+0.004} / _{+0.000} | 11.88 |
| U37-1.50-62B | 1-1/2 | 2-1/4 | 5/8 | .688 ^{+0.015} / _{+0.000} | 1.500 ^{+0.000} / _{-.002} | 1.502 ^{+0.004} / _{+0.000} | 2.250 ^{+0.005} / _{+0.000} | 1.500 ^{+0.000} / _{-.005} | 2.248 ^{+0.000} / _{-.002} | 2.250 ^{+0.004} / _{+0.000} | 12.64 |
| U37-1.56 | 1-9/16 | 2-5/16 | 3/8 | .413 ^{+0.015} / _{+0.000} | 1.562 ^{+0.000} / _{-.002} | 1.565 ^{+0.004} / _{+0.000} | 2.313 ^{+0.005} / _{+0.000} | 1.562 ^{+0.000} / _{-.005} | 2.310 ^{+0.000} / _{-.002} | 2.313 ^{+0.004} / _{+0.000} | 11.46 |
| U37-1.62-SQB | 1-5/8 | 2-3/8 | 3/8 | .413 ^{+0.015} / _{+0.000} | 1.625 ^{+0.000} / _{-.002} | 1.627 ^{+0.004} / _{+0.000} | 2.375 ^{+0.005} / _{+0.000} | 1.625 ^{+0.000} / _{-.005} | 2.373 ^{+0.000} / _{-.002} | 2.375 ^{+0.004} / _{+0.000} | 11.85 |

NORTH AMERICA
 PHONE 1-800-777-5617
 FAX 1-800-759-6391

SALES OFFICE HOURS
 8 A.M. TO 7:30 P.M. EASTERN TIME
www.HerculesUS.com

WORLDWIDE
 PHONE 1-727-796-1300
 FAX 1-727-797-8849

STYLE 800 POLYURETHANE U-SEALS

| Part Number | A Nom. ID | B Nom. OD | C Nom. Ht | D GROOVE WIDTH | E ROD DIAMETER | F THROAT DIAMETER | G HOUSING DIAMETER | H GROOVE DIAMETER | I PISTON DIAMETER | J BORE DIAMETER | List Price |
|--------------|-----------|-----------|-----------|---------------------|----------------------|----------------------|----------------------|----------------------|----------------------|----------------------|------------|
| U37-1.62-62B | 1-5/8 | 2-3/8 | 5/8 | .688 +.015 +.000 | 1.625 +.000 -.002 | 1.627 +.004 +.000 | 2.375 +.005 +.000 | 1.625 +.000 -.005 | 2.373 +.000 -.002 | 2.375 +.004 +.000 | 12.31 |
| U37-1.75 | 1-3/4 | 2-1/2 | 3/8 | .413 +.015 +.000 | 1.750 +.000 -.002 | 1.752 +.004 +.000 | 2.500 +.005 +.000 | 1.750 +.000 -.005 | 2.498 +.000 -.002 | 2.500 +.004 +.000 | 12.06 |
| U37-1.75-62B | 1-3/4 | 2-1/2 | 5/8 | .688 +.015 +.000 | 1.750 +.000 -.002 | 1.752 +.004 +.000 | 2.500 +.005 +.000 | 1.750 +.000 -.005 | 2.498 +.000 -.002 | 2.500 +.004 +.000 | 13.73 |
| U37-1.87 | 1-7/8 | 2-5/8 | 3/8 | .413 +.015 +.000 | 1.875 +.000 -.002 | 1.877 +.004 +.000 | 2.625 +.005 +.000 | 1.875 +.000 -.005 | 2.623 +.000 -.002 | 2.625 +.004 +.000 | 13.21 |
| U37-2.00 | 2 | 2-3/4 | 3/8 | .413 +.015 +.000 | 2.000 +.000 -.002 | 2.002 +.004 +.000 | 2.750 +.005 +.000 | 2.000 +.000 -.005 | 2.748 +.000 -.002 | 2.750 +.004 +.000 | 13.87 |
| U37-2.00-SQB | 2 | 2-3/4 | 3/8 | .413 +.015 +.000 | 2.000 +.000 -.002 | 2.002 +.004 +.000 | 2.750 +.005 +.000 | 2.000 +.000 -.005 | 2.748 +.000 -.002 | 2.750 +.004 +.000 | 13.87 |
| U37-2.00-50B | 2 | 2-3/4 | 1/2 | .550 +.015 +.000 | 2.000 +.000 -.002 | 2.002 +.004 +.000 | 2.750 +.005 +.000 | 2.000 +.000 -.005 | 2.748 +.000 -.002 | 2.750 +.004 +.000 | 15.29 |
| U37-2.00-62B | 2 | 2-3/4 | 5/8 | .688 +.015 +.000 | 2.000 +.000 -.002 | 2.002 +.004 +.000 | 2.750 +.005 +.000 | 2.000 +.000 -.005 | 2.748 +.000 -.002 | 2.750 +.004 +.000 | 15.29 |
| U37-2.12 | 2-1/8 | 2-7/8 | 3/8 | .413 +.015 +.000 | 2.125 +.000 -.002 | 2.127 +.004 +.000 | 2.875 +.005 +.000 | 2.125 +.000 -.005 | 2.873 +.000 -.002 | 2.875 +.004 +.000 | 14.14 |
| U37-2.25 | 2-1/4 | 3 | 3/8 | .413 +.015 +.000 | 2.250 +.000 -.002 | 2.252 +.004 +.000 | 3.000 +.005 +.000 | 2.250 +.000 -.005 | 2.998 +.000 -.002 | 3.000 +.004 +.000 | 16.73 |
| U37-2.25-SQB | 2-1/4 | 3 | 3/8 | .413 +.015 +.000 | 2.250 +.000 -.002 | 2.252 +.004 +.000 | 3.000 +.005 +.000 | 2.250 +.000 -.005 | 2.998 +.000 -.002 | 3.000 +.004 +.000 | 15.55 |
| U37-2.25-50B | 2-1/4 | 3 | 1/2 | .550 +.015 +.000 | 2.250 +.000 -.002 | 2.252 +.004 +.000 | 3.000 +.005 +.000 | 2.250 +.000 -.005 | 2.998 +.000 -.002 | 3.000 +.004 +.000 | 17.23 |
| U37-2.25-62B | 2-1/4 | 3 | 5/8 | .688 +.015 +.000 | 2.250 +.000 -.002 | 2.252 +.004 +.000 | 3.000 +.005 +.000 | 2.250 +.000 -.005 | 2.998 +.000 -.002 | 3.000 +.004 +.000 | 17.05 |
| U37-2.25-62D | 2-1/4 | 3 | 5/8 | .688 +.015 +.000 | 2.250 +.000 -.002 | 2.252 +.004 +.000 | 3.000 +.005 +.000 | 2.250 +.000 -.005 | 2.998 +.000 -.002 | 3.000 +.004 +.000 | 17.05 |
| U37-2.37 | 2-3/8 | 3-1/8 | 3/8 | .413 +.015 +.000 | 2.375 +.000 -.002 | 2.377 +.004 +.000 | 3.125 +.005 +.000 | 2.375 +.000 -.005 | 3.123 +.000 -.002 | 3.125 +.004 +.000 | 15.78 |
| U37-2.50 | 2-1/2 | 3-1/4 | 3/8 | .413 +.015 +.000 | 2.500 +.000 -.002 | 2.502 +.004 +.000 | 3.250 +.005 +.000 | 2.500 +.000 -.005 | 3.248 +.000 -.002 | 3.250 +.004 +.000 | 16.86 |
| U37-2.50-SQB | 2-1/2 | 3-1/4 | 3/8 | .413 +.015 +.000 | 2.500 +.000 -.002 | 2.502 +.004 +.000 | 3.250 +.005 +.000 | 2.500 +.000 -.005 | 3.248 +.000 -.002 | 3.250 +.004 +.000 | 16.86 |
| U37-2.50-50B | 2-1/2 | 3-1/4 | 1/2 | .550 +.015 +.000 | 2.500 +.000 -.002 | 2.502 +.004 +.000 | 3.250 +.005 +.000 | 2.500 +.000 -.005 | 3.248 +.000 -.002 | 3.250 +.004 +.000 | 17.94 |
| U37-2.50-62B | 2-1/2 | 3-1/4 | 5/8 | .688 +.015 +.000 | 2.500 +.000 -.002 | 2.502 +.004 +.000 | 3.250 +.005 +.000 | 2.500 +.000 -.005 | 3.248 +.000 -.002 | 3.250 +.004 +.000 | 17.94 |
| U37-2.50-62D | 2-1/2 | 3-1/4 | 5/8 | .688 +.015 +.000 | 2.500 +.000 -.002 | 2.502 +.004 +.000 | 3.250 +.005 +.000 | 2.500 +.000 -.005 | 3.248 +.000 -.002 | 3.250 +.004 +.000 | 17.94 |
| U37-2.62 | 2-5/8 | 3-3/8 | 3/8 | .413 +.015 +.000 | 2.625 +.000 -.002 | 2.627 +.004 +.000 | 3.375 +.005 +.000 | 2.625 +.000 -.005 | 3.373 +.000 -.002 | 3.375 +.004 +.000 | 16.95 |
| U37-2.62-62B | 2-5/8 | 3-3/8 | 5/8 | .688 +.015 +.000 | 2.625 +.000 -.002 | 2.627 +.004 +.000 | 3.375 +.005 +.000 | 2.625 +.000 -.005 | 3.373 +.000 -.002 | 3.375 +.004 +.000 | 19.36 |
| U37-2.75 | 2-3/4 | 3-1/2 | 3/8 | .413 +.015 +.000 | 2.750 +.000 -.002 | 2.752 +.004 +.000 | 3.500 +.005 +.000 | 2.750 +.000 -.005 | 3.498 +.000 -.002 | 3.500 +.004 +.000 | 17.73 |
| U37-2.75-50B | 2-3/4 | 3-1/2 | 1/2 | .550 +.015 +.000 | 2.750 +.000 -.002 | 2.752 +.004 +.000 | 3.500 +.005 +.000 | 2.750 +.000 -.005 | 3.498 +.000 -.002 | 3.500 +.004 +.000 | 20.48 |
| U37-2.75-50D | 2-3/4 | 3-1/2 | 1/2 | .550 +.015 +.000 | 2.750 +.000 -.002 | 2.752 +.004 +.000 | 3.500 +.005 +.000 | 2.750 +.000 -.005 | 3.498 +.000 -.002 | 3.500 +.004 +.000 | 20.48 |
| U37-2.75-62B | 2-3/4 | 3-1/2 | 5/8 | .688 +.015 +.000 | 2.750 +.000 -.002 | 2.752 +.004 +.000 | 3.500 +.005 +.000 | 2.750 +.000 -.005 | 3.498 +.000 -.002 | 3.500 +.004 +.000 | 20.48 |
| U37-2.75-62D | 2-3/4 | 3-1/2 | 5/8 | .688 +.015 +.000 | 2.750 +.000 -.002 | 2.752 +.004 +.000 | 3.500 +.005 +.000 | 2.750 +.000 -.005 | 3.498 +.000 -.002 | 3.500 +.004 +.000 | 24.80 |
| U37-2.81 | 2-13/16 | 3-9/16 | 3/8 | .413 +.015 +.000 | 2.812 +.000 -.002 | 2.814 +.004 +.000 | 3.563 +.005 +.000 | 2.812 +.000 -.005 | 3.560 +.000 -.002 | 3.563 +.004 +.000 | 21.93 |
| U37-2.93 | 2-15/16 | 3-11/16 | 3/8 | .413 +.015 +.000 | 2.937 +.000 -.002 | 2.939 +.004 +.000 | 3.688 +.005 +.000 | 2.937 +.000 -.005 | 3.685 +.000 -.002 | 3.688 +.004 +.000 | 21.93 |
| U37-3.00 | 3 | 3-3/4 | 3/8 | .413 +.015 +.000 | 3.000 +.000 -.002 | 3.002 +.004 +.000 | 3.750 +.005 +.000 | 3.000 +.000 -.005 | 3.748 +.000 -.002 | 3.750 +.004 +.000 | 21.65 |
| U37-3.00-SQB | 3 | 3-3/4 | 3/8 | .413 +.015 +.000 | 3.000 +.000 -.002 | 3.002 +.004 +.000 | 3.750 +.005 +.000 | 3.000 +.000 -.005 | 3.748 +.000 -.002 | 3.750 +.004 +.000 | 21.93 |
| U37-3.00-50B | 3 | 3-3/4 | 1/2 | .550 +.015 +.000 | 3.000 +.000 -.002 | 3.002 +.004 +.000 | 3.750 +.005 +.000 | 3.000 +.000 -.005 | 3.748 +.000 -.002 | 3.750 +.004 +.000 | 22.30 |
| U37-3.00-62B | 3 | 3-3/4 | 5/8 | .688 +.015 +.000 | 3.000 +.000 -.002 | 3.002 +.004 +.000 | 3.750 +.005 +.000 | 3.000 +.000 -.005 | 3.748 +.000 -.002 | 3.750 +.004 +.000 | 21.30 |

U-SEALS



STYLE 800 POLYURETHANE U-SEALS

U-SEALS

| Part Number | A Nom. ID | B Nom. OD | C Nom. Ht | D GROOVE WIDTH | E ROD DIAMETER | F THROAT DIAMETER | G HOUSING DIAMETER | H GROOVE DIAMETER | I PISTON DIAMETER | J BORE DIAMETER | List Price |
|--------------|-----------------|-----------------|-----------------|--|--|---|---|--|--|---|---------------|
| U37-3.12-SQB | 3-1/8 | 3-7/8 | 3/8 | .413 ^{+0.015} / _{+0.000} | 3.125 ^{+0.000} / _{-.002} | 3.127 ^{+0.004} / _{+0.000} | 3.875 ^{+0.005} / _{+0.000} | 3.125 ^{+0.000} / _{-.005} | 3.873 ^{+0.000} / _{-.002} | 3.875 ^{+0.004} / _{+0.000} | 20.94 |
| U37-3.25 | 3-1/4 | 4 | 3/8 | .413 ^{+0.015} / _{+0.000} | 3.250 ^{+0.000} / _{-.002} | 3.252 ^{+0.004} / _{+0.000} | 4.000 ^{+0.005} / _{+0.000} | 3.250 ^{+0.000} / _{-.005} | 3.998 ^{+0.000} / _{-.002} | 4.000 ^{+0.004} / _{+0.000} | 22.24 |
| U37-3.25-50B | 3-1/4 | 4 | 1/2 | .550 ^{+0.015} / _{+0.000} | 3.250 ^{+0.000} / _{-.002} | 3.252 ^{+0.004} / _{+0.000} | 4.000 ^{+0.005} / _{+0.000} | 3.250 ^{+0.000} / _{-.005} | 3.998 ^{+0.000} / _{-.002} | 4.000 ^{+0.004} / _{+0.000} | 22.64 |
| U37-3.25-62B | 3-1/4 | 4 | 5/8 | .688 ^{+0.015} / _{+0.000} | 3.250 ^{+0.000} / _{-.002} | 3.252 ^{+0.004} / _{+0.000} | 4.000 ^{+0.005} / _{+0.000} | 3.250 ^{+0.000} / _{-.005} | 3.998 ^{+0.000} / _{-.002} | 4.000 ^{+0.004} / _{+0.000} | 22.64 |
| U37-3.37 | 3-3/8 | 4-1/8 | 3/8 | .413 ^{+0.015} / _{+0.000} | 3.375 ^{+0.000} / _{-.002} | 3.377 ^{+0.004} / _{+0.000} | 4.125 ^{+0.005} / _{+0.000} | 3.375 ^{+0.000} / _{-.005} | 4.123 ^{+0.000} / _{-.002} | 4.125 ^{+0.004} / _{+0.000} | 22.30 |
| U37-3.37-62B | 3-3/8 | 4-1/8 | 5/8 | .688 ^{+0.015} / _{+0.000} | 3.375 ^{+0.000} / _{-.002} | 3.377 ^{+0.004} / _{+0.000} | 4.125 ^{+0.005} / _{+0.000} | 3.375 ^{+0.000} / _{-.005} | 4.123 ^{+0.000} / _{-.002} | 4.125 ^{+0.004} / _{+0.000} | 23.16 |
| U37-3.50 | 3-1/2 | 4-1/4 | 3/8 | .413 ^{+0.015} / _{+0.000} | 3.500 ^{+0.000} / _{-.002} | 3.502 ^{+0.004} / _{+0.000} | 4.250 ^{+0.005} / _{+0.000} | 3.500 ^{+0.000} / _{-.005} | 4.248 ^{+0.000} / _{-.002} | 4.250 ^{+0.004} / _{+0.000} | 22.66 |
| U37-3.50-50D | 3-1/2 | 4-1/4 | 1/2 | .550 ^{+0.015} / _{+0.000} | 3.500 ^{+0.000} / _{-.002} | 3.502 ^{+0.004} / _{+0.000} | 4.250 ^{+0.005} / _{+0.000} | 3.500 ^{+0.000} / _{-.005} | 4.248 ^{+0.000} / _{-.002} | 4.250 ^{+0.004} / _{+0.000} | 25.33 |
| U37-3.50-62B | 3-1/2 | 4-1/4 | 5/8 | .688 ^{+0.015} / _{+0.000} | 3.500 ^{+0.000} / _{-.002} | 3.502 ^{+0.004} / _{+0.000} | 4.250 ^{+0.005} / _{+0.000} | 3.500 ^{+0.000} / _{-.005} | 4.248 ^{+0.000} / _{-.002} | 4.250 ^{+0.004} / _{+0.000} | 24.23 |
| U37-3.62 | 3-5/8 | 4-3/8 | 3/8 | .413 ^{+0.015} / _{+0.000} | 3.625 ^{+0.000} / _{-.002} | 3.627 ^{+0.004} / _{+0.000} | 4.375 ^{+0.005} / _{+0.000} | 3.625 ^{+0.000} / _{-.005} | 4.373 ^{+0.000} / _{-.002} | 4.375 ^{+0.004} / _{+0.000} | 22.66 |
| U37-3.62-50B | 3-5/8 | 4-3/8 | 1/2 | .550 ^{+0.015} / _{+0.000} | 3.625 ^{+0.000} / _{-.002} | 3.627 ^{+0.004} / _{+0.000} | 4.375 ^{+0.005} / _{+0.000} | 3.625 ^{+0.000} / _{-.005} | 4.373 ^{+0.000} / _{-.002} | 4.375 ^{+0.004} / _{+0.000} | 26.19 |
| U37-3.62-62B | 3-5/8 | 4-3/8 | 5/8 | .688 ^{+0.015} / _{+0.000} | 3.625 ^{+0.000} / _{-.002} | 3.627 ^{+0.004} / _{+0.000} | 4.375 ^{+0.005} / _{+0.000} | 3.625 ^{+0.000} / _{-.005} | 4.373 ^{+0.000} / _{-.002} | 4.375 ^{+0.004} / _{+0.000} | 25.10 |
| U37-3.75 | 3-3/4 | 4-1/2 | 3/8 | .413 ^{+0.015} / _{+0.000} | 3.750 ^{+0.000} / _{-.002} | 3.752 ^{+0.004} / _{+0.000} | 4.500 ^{+0.005} / _{+0.000} | 3.750 ^{+0.000} / _{-.005} | 4.498 ^{+0.000} / _{-.002} | 4.500 ^{+0.004} / _{+0.000} | 23.16 |
| U37-3.75-SQB | 3-3/4 | 4-1/2 | 3/8 | .413 ^{+0.015} / _{+0.000} | 3.750 ^{+0.000} / _{-.002} | 3.752 ^{+0.004} / _{+0.000} | 4.500 ^{+0.005} / _{+0.000} | 3.750 ^{+0.000} / _{-.005} | 4.498 ^{+0.000} / _{-.002} | 4.500 ^{+0.004} / _{+0.000} | 23.16 |
| U37-3.75-50D | 3-3/4 | 4-1/2 | 1/2 | .550 ^{+0.015} / _{+0.000} | 3.750 ^{+0.000} / _{-.002} | 3.752 ^{+0.004} / _{+0.000} | 4.500 ^{+0.005} / _{+0.000} | 3.750 ^{+0.000} / _{-.005} | 4.498 ^{+0.000} / _{-.002} | 4.500 ^{+0.004} / _{+0.000} | 25.76 |
| U37-3.75-62B | 3-3/4 | 4-1/2 | 5/8 | .688 ^{+0.015} / _{+0.000} | 3.750 ^{+0.000} / _{-.002} | 3.752 ^{+0.004} / _{+0.000} | 4.500 ^{+0.005} / _{+0.000} | 3.750 ^{+0.000} / _{-.005} | 4.498 ^{+0.000} / _{-.002} | 4.500 ^{+0.004} / _{+0.000} | 25.76 |
| U37-3.87 | 3-7/8 | 4-5/8 | 3/8 | .413 ^{+0.015} / _{+0.000} | 3.875 ^{+0.000} / _{-.002} | 3.877 ^{+0.004} / _{+0.000} | 4.625 ^{+0.005} / _{+0.000} | 3.875 ^{+0.000} / _{-.005} | 4.623 ^{+0.000} / _{-.002} | 4.625 ^{+0.004} / _{+0.000} | 23.95 |
| U37-4.00 | 4 | 4-3/4 | 3/8 | .413 ^{+0.015} / _{+0.000} | 4.000 ^{+0.000} / _{-.002} | 4.002 ^{+0.004} / _{+0.000} | 4.750 ^{+0.005} / _{+0.000} | 4.000 ^{+0.000} / _{-.005} | 4.748 ^{+0.000} / _{-.002} | 4.750 ^{+0.004} / _{+0.000} | 30.83 |
| U37-4.00-50D | 4 | 4-3/4 | 1/2 | .550 ^{+0.015} / _{+0.000} | 4.000 ^{+0.000} / _{-.002} | 4.002 ^{+0.004} / _{+0.000} | 4.750 ^{+0.005} / _{+0.000} | 4.000 ^{+0.000} / _{-.005} | 4.748 ^{+0.000} / _{-.002} | 4.750 ^{+0.004} / _{+0.000} | 25.94 |
| U37-4.00-62B | 4 | 4-3/4 | 5/8 | .688 ^{+0.015} / _{+0.000} | 4.000 ^{+0.000} / _{-.002} | 4.002 ^{+0.004} / _{+0.000} | 4.750 ^{+0.005} / _{+0.000} | 4.000 ^{+0.000} / _{-.005} | 4.748 ^{+0.000} / _{-.002} | 4.750 ^{+0.004} / _{+0.000} | 27.34 |
| U37-4.00-62D | 4 | 4-3/4 | 5/8 | .688 ^{+0.015} / _{+0.000} | 4.000 ^{+0.000} / _{-.002} | 4.002 ^{+0.004} / _{+0.000} | 4.750 ^{+0.005} / _{+0.000} | 4.000 ^{+0.000} / _{-.005} | 4.748 ^{+0.000} / _{-.002} | 4.750 ^{+0.004} / _{+0.000} | 33.78 |
| U37-4.12 | 4-1/8 | 4-7/8 | 3/8 | .413 ^{+0.015} / _{+0.000} | 4.125 ^{+0.000} / _{-.002} | 4.127 ^{+0.004} / _{+0.000} | 4.875 ^{+0.005} / _{+0.000} | 4.125 ^{+0.000} / _{-.005} | 4.873 ^{+0.000} / _{-.002} | 4.875 ^{+0.004} / _{+0.000} | 25.39 |
| U37-4.25 | 4-1/4 | 5 | 3/8 | .413 ^{+0.015} / _{+0.000} | 4.250 ^{+0.000} / _{-.002} | 4.252 ^{+0.004} / _{+0.000} | 5.000 ^{+0.005} / _{+0.000} | 4.250 ^{+0.000} / _{-.005} | 4.998 ^{+0.000} / _{-.002} | 5.000 ^{+0.004} / _{+0.000} | 26.14 |
| U37-4.25-SQB | 4-1/4 | 5 | 3/8 | .413 ^{+0.015} / _{+0.000} | 4.250 ^{+0.000} / _{-.002} | 4.252 ^{+0.004} / _{+0.000} | 5.000 ^{+0.005} / _{+0.000} | 4.250 ^{+0.000} / _{-.005} | 4.998 ^{+0.000} / _{-.002} | 5.000 ^{+0.004} / _{+0.000} | 26.14 |
| U37-4.25-50B | 4-1/4 | 5 | 1/2 | .550 ^{+0.015} / _{+0.000} | 4.250 ^{+0.000} / _{-.002} | 4.252 ^{+0.004} / _{+0.000} | 5.000 ^{+0.005} / _{+0.000} | 4.250 ^{+0.000} / _{-.005} | 4.998 ^{+0.000} / _{-.002} | 5.000 ^{+0.004} / _{+0.000} | 33.60 |
| U37-4.25-50D | 4-1/4 | 5 | 1/2 | .550 ^{+0.015} / _{+0.000} | 4.250 ^{+0.000} / _{-.002} | 4.252 ^{+0.004} / _{+0.000} | 5.000 ^{+0.005} / _{+0.000} | 4.250 ^{+0.000} / _{-.005} | 4.998 ^{+0.000} / _{-.002} | 5.000 ^{+0.004} / _{+0.000} | 28.63 |
| U37-4.25-62B | 4-1/4 | 5 | 5/8 | .688 ^{+0.015} / _{+0.000} | 4.250 ^{+0.000} / _{-.002} | 4.252 ^{+0.004} / _{+0.000} | 5.000 ^{+0.005} / _{+0.000} | 4.250 ^{+0.000} / _{-.005} | 4.998 ^{+0.000} / _{-.002} | 5.000 ^{+0.004} / _{+0.000} | 28.63 |
| U37-4.25-62D | 4-1/4 | 5 | 5/8 | .688 ^{+0.015} / _{+0.000} | 4.250 ^{+0.000} / _{-.002} | 4.252 ^{+0.004} / _{+0.000} | 5.000 ^{+0.005} / _{+0.000} | 4.250 ^{+0.000} / _{-.005} | 4.998 ^{+0.000} / _{-.002} | 5.000 ^{+0.004} / _{+0.000} | 28.63 |
| U37-4.37 | 4-3/8 | 5-1/8 | 3/8 | .413 ^{+0.015} / _{+0.000} | 4.375 ^{+0.000} / _{-.002} | 4.377 ^{+0.004} / _{+0.000} | 5.125 ^{+0.005} / _{+0.000} | 4.375 ^{+0.000} / _{-.005} | 5.123 ^{+0.000} / _{-.002} | 5.125 ^{+0.004} / _{+0.000} | 26.74 |
| U37-4.37-62B | 4-3/8 | 5-1/8 | 5/8 | .688 ^{+0.015} / _{+0.000} | 4.375 ^{+0.000} / _{-.002} | 4.377 ^{+0.004} / _{+0.000} | 5.125 ^{+0.005} / _{+0.000} | 4.375 ^{+0.000} / _{-.005} | 5.123 ^{+0.000} / _{-.002} | 5.125 ^{+0.004} / _{+0.000} | 29.31 |
| U37-4.50 | 4-1/2 | 5-1/4 | 3/8 | .413 ^{+0.015} / _{+0.000} | 4.500 ^{+0.000} / _{-.002} | 4.502 ^{+0.004} / _{+0.000} | 5.250 ^{+0.005} / _{+0.000} | 4.500 ^{+0.000} / _{-.005} | 5.248 ^{+0.000} / _{-.002} | 5.250 ^{+0.004} / _{+0.000} | 30.83 |
| U37-4.50-SQB | 4-1/2 | 5-1/4 | 3/8 | .413 ^{+0.015} / _{+0.000} | 4.500 ^{+0.000} / _{-.002} | 4.502 ^{+0.004} / _{+0.000} | 5.250 ^{+0.005} / _{+0.000} | 4.500 ^{+0.000} / _{-.005} | 5.248 ^{+0.000} / _{-.002} | 5.250 ^{+0.004} / _{+0.000} | 28.77 |
| U37-4.50-62B | 4-1/2 | 5-1/4 | 5/8 | .688 ^{+0.015} / _{+0.000} | 4.500 ^{+0.000} / _{-.002} | 4.502 ^{+0.004} / _{+0.000} | 5.250 ^{+0.005} / _{+0.000} | 4.500 ^{+0.000} / _{-.005} | 5.248 ^{+0.000} / _{-.002} | 5.250 ^{+0.004} / _{+0.000} | 30.07 |

STYLE 800 POLYURETHANE U-SEALS

| Part Number | A Nom. ID | B Nom. OD | C Nom. Ht | D GROOVE WIDTH | E ROD DIAMETER | F THROAT DIAMETER | G HOUSING DIAMETER | H GROOVE DIAMETER | I PISTON DIAMETER | J BORE DIAMETER | List Price |
|--------------|-----------|-----------|-----------|------------------|-------------------|-------------------|--------------------|-------------------|-------------------|-------------------|------------|
| U37-4.62 | 4-5/8 | 5-3/8 | 3/8 | .413 +.015 +.000 | 4.625 +.000 -.002 | 4.627 +.004 +.000 | 5.375 +.005 +.000 | 4.625 +.000 -.005 | 5.373 +.000 -.002 | 5.375 +.004 +.000 | 29.00 |
| U37-4.62-62B | 4-5/8 | 5-3/8 | 5/8 | .688 +.015 +.000 | 4.625 +.000 -.002 | 4.627 +.004 +.000 | 5.375 +.005 +.000 | 4.625 +.000 -.005 | 5.373 +.000 -.002 | 5.375 +.004 +.000 | 30.56 |
| U37-4.75-SQB | 4-3/4 | 5-1/2 | 3/8 | .413 +.015 +.000 | 4.750 +.000 -.002 | 4.752 +.004 +.000 | 5.500 +.005 +.000 | 4.750 +.000 -.005 | 5.498 +.000 -.002 | 5.500 +.004 +.000 | 30.19 |
| U37-4.75-50B | 4-3/4 | 5-1/2 | 1/2 | .550 +.015 +.000 | 4.750 +.000 -.002 | 4.752 +.004 +.000 | 5.500 +.005 +.000 | 4.750 +.000 -.005 | 5.498 +.000 -.002 | 5.500 +.004 +.000 | 31.42 |
| U37-4.75-62B | 4-3/4 | 5-1/2 | 5/8 | .688 +.015 +.000 | 4.750 +.000 -.002 | 4.752 +.004 +.000 | 5.500 +.005 +.000 | 4.750 +.000 -.005 | 5.498 +.000 -.002 | 5.500 +.004 +.000 | 31.42 |
| U37-4.87 | 4-7/8 | 5-5/8 | 3/8 | .413 +.015 +.000 | 4.875 +.000 -.002 | 4.877 +.004 +.000 | 5.625 +.005 +.000 | 4.875 +.000 -.005 | 5.623 +.000 -.002 | 5.625 +.004 +.000 | 30.72 |
| U37-4.87-62B | 4-7/8 | 5-5/8 | 5/8 | .688 +.015 +.000 | 4.875 +.000 -.002 | 4.877 +.004 +.000 | 5.625 +.005 +.000 | 4.875 +.000 -.005 | 5.623 +.000 -.002 | 5.625 +.004 +.000 | 31.62 |
| U37-5.00-SQB | 5 | 5-3/4 | 3/8 | .413 +.015 +.000 | 5.000 +.000 -.002 | 5.002 +.004 +.000 | 5.750 +.005 +.000 | 5.000 +.000 -.005 | 5.748 +.000 -.002 | 5.750 +.004 +.000 | 31.13 |
| U37-5.00-62B | 5 | 5-3/4 | 5/8 | .688 +.015 +.000 | 5.000 +.000 -.002 | 5.002 +.004 +.000 | 5.750 +.005 +.000 | 5.000 +.000 -.005 | 5.748 +.000 -.002 | 5.750 +.004 +.000 | 32.91 |
| U37-5.25 | 5-1/4 | 6 | 3/8 | .413 +.015 +.000 | 5.250 +.000 -.002 | 5.252 +.004 +.000 | 6.000 +.005 +.000 | 5.250 +.000 -.005 | 5.998 +.000 -.002 | 6.000 +.004 +.000 | 32.09 |
| U37-5.25-SQB | 5-1/4 | 6 | 3/8 | .413 +.015 +.000 | 5.250 +.000 -.002 | 5.252 +.004 +.000 | 6.000 +.005 +.000 | 5.250 +.000 -.005 | 5.998 +.000 -.002 | 6.000 +.004 +.000 | 32.09 |
| U37-5.25-50B | 5-1/4 | 6 | 1/2 | .550 +.015 +.000 | 5.250 +.000 -.002 | 5.252 +.004 +.000 | 6.000 +.005 +.000 | 5.250 +.000 -.005 | 5.998 +.000 -.002 | 6.000 +.004 +.000 | 34.30 |
| U37-5.25-50D | 5-1/4 | 6 | 1/2 | .550 +.015 +.000 | 5.250 +.000 -.002 | 5.252 +.004 +.000 | 6.000 +.005 +.000 | 5.250 +.000 -.005 | 5.998 +.000 -.002 | 6.000 +.004 +.000 | 34.30 |
| U37-5.25-62B | 5-1/4 | 6 | 5/8 | .688 +.015 +.000 | 5.250 +.000 -.002 | 5.252 +.004 +.000 | 6.000 +.005 +.000 | 5.250 +.000 -.005 | 5.998 +.000 -.002 | 6.000 +.004 +.000 | 34.30 |
| U37-5.25-62D | 5-1/4 | 6 | 5/8 | .688 +.015 +.000 | 5.250 +.000 -.002 | 5.252 +.004 +.000 | 6.000 +.005 +.000 | 5.250 +.000 -.005 | 5.998 +.000 -.002 | 6.000 +.004 +.000 | 34.30 |
| U37-5.37 | 5-3/8 | 6-1/8 | 3/8 | .413 +.015 +.000 | 5.375 +.000 -.002 | 5.377 +.004 +.000 | 6.125 +.005 +.000 | 5.375 +.000 -.005 | 6.123 +.000 -.002 | 6.125 +.004 +.000 | 32.47 |
| U37-5.37-62B | 5-3/8 | 6-1/8 | 5/8 | .688 +.015 +.000 | 5.375 +.000 -.002 | 5.377 +.004 +.000 | 6.125 +.005 +.000 | 5.375 +.000 -.005 | 6.123 +.000 -.002 | 6.125 +.004 +.000 | 33.02 |
| U37-5.50-SQB | 5-1/2 | 6-1/4 | 3/8 | .413 +.015 +.000 | 5.500 +.000 -.002 | 5.502 +.004 +.000 | 6.250 +.005 +.000 | 5.500 +.000 -.005 | 6.248 +.000 -.002 | 6.250 +.004 +.000 | 33.32 |
| U37-5.50-62B | 5-1/2 | 6-1/4 | 5/8 | .688 +.015 +.000 | 5.500 +.000 -.002 | 5.502 +.004 +.000 | 6.250 +.005 +.000 | 5.500 +.000 -.005 | 6.248 +.000 -.002 | 6.250 +.004 +.000 | 35.64 |
| U37-5.75 | 5-3/4 | 6-1/2 | 3/8 | .413 +.015 +.000 | 5.750 +.000 -.002 | 5.752 +.004 +.000 | 6.500 +.005 +.000 | 5.750 +.000 -.005 | 6.498 +.000 -.002 | 6.500 +.004 +.000 | 34.63 |
| U37-5.75-62B | 5-3/4 | 6-1/2 | 5/8 | .688 +.015 +.000 | 5.750 +.000 -.002 | 5.752 +.004 +.000 | 6.500 +.005 +.000 | 5.750 +.000 -.005 | 6.498 +.000 -.002 | 6.500 +.004 +.000 | 38.57 |
| U37-5.87 | 5-7/8 | 6-5/8 | 3/8 | .413 +.015 +.000 | 5.875 +.000 -.002 | 5.877 +.004 +.000 | 6.625 +.005 +.000 | 5.875 +.000 -.005 | 6.623 +.000 -.002 | 6.625 +.004 +.000 | 35.15 |
| U37-5.87-62B | 5-7/8 | 6-5/8 | 5/8 | .688 +.015 +.000 | 5.875 +.000 -.002 | 5.877 +.004 +.000 | 6.625 +.005 +.000 | 5.875 +.000 -.005 | 6.623 +.000 -.002 | 6.625 +.004 +.000 | 38.57 |
| U37-6.00-SQB | 6 | 6-3/4 | 3/8 | .413 +.015 +.000 | 6.000 +.000 -.002 | 6.002 +.004 +.000 | 6.750 +.005 +.000 | 6.000 +.000 -.005 | 6.748 +.000 -.002 | 6.750 +.004 +.000 | 37.59 |
| U37-6.00-62B | 6 | 6-3/4 | 5/8 | .688 +.015 +.000 | 6.000 +.000 -.002 | 6.002 +.004 +.000 | 6.750 +.005 +.000 | 6.000 +.000 -.005 | 6.748 +.000 -.002 | 6.750 +.004 +.000 | 38.13 |
| U37-6.25 | 6-1/4 | 7 | 3/8 | .413 +.015 +.000 | 6.250 +.000 -.002 | 6.252 +.004 +.000 | 7.000 +.005 +.000 | 6.250 +.000 -.005 | 6.998 +.000 -.002 | 7.000 +.004 +.000 | 38.67 |
| U37-6.25-50D | 6-1/4 | 7 | 1/2 | .550 +.015 +.000 | 6.250 +.000 -.002 | 6.252 +.004 +.000 | 7.000 +.005 +.000 | 6.250 +.000 -.005 | 6.998 +.000 -.002 | 7.000 +.004 +.000 | 39.08 |
| U37-6.25-62B | 6-1/4 | 7 | 5/8 | .688 +.015 +.000 | 6.250 +.000 -.002 | 6.252 +.004 +.000 | 7.000 +.005 +.000 | 6.250 +.000 -.005 | 6.998 +.000 -.002 | 7.000 +.004 +.000 | 39.08 |
| U37-6.37 | 6-3/8 | 7-1/8 | 3/8 | .413 +.015 +.000 | 6.375 +.000 -.002 | 6.377 +.004 +.000 | 7.125 +.005 +.000 | 6.375 +.000 -.005 | 7.123 +.000 -.002 | 7.125 +.004 +.000 | 38.67 |
| U37-6.50 | 6-1/2 | 7-1/4 | 3/8 | .413 +.015 +.000 | 6.500 +.000 -.002 | 6.502 +.004 +.000 | 7.250 +.005 +.000 | 6.500 +.000 -.005 | 7.248 +.000 -.002 | 7.250 +.004 +.000 | 39.53 |
| U37-6.50-50B | 6-1/2 | 7-1/4 | 1/2 | .550 +.015 +.000 | 6.500 +.000 -.002 | 6.502 +.004 +.000 | 7.250 +.005 +.000 | 6.500 +.000 -.005 | 7.248 +.000 -.002 | 7.250 +.004 +.000 | 40.43 |
| U37-6.50-62B | 6-1/2 | 7-1/4 | 5/8 | .688 +.015 +.000 | 6.500 +.000 -.002 | 6.502 +.004 +.000 | 7.250 +.005 +.000 | 6.500 +.000 -.005 | 7.248 +.000 -.002 | 7.250 +.004 +.000 | 40.43 |
| U37-6.75-62B | 6-3/4 | 7-1/2 | 5/8 | .688 +.015 +.000 | 6.750 +.000 -.002 | 6.752 +.004 +.000 | 7.500 +.005 +.000 | 6.750 +.000 -.005 | 7.498 +.000 -.002 | 7.500 +.004 +.000 | 42.97 |

U-SEALS



STYLE 800 POLYURETHANE U-SEALS

U-SEALS

| Part Number | A Nom. ID | B Nom. OD | C Nom. Ht | D GROOVE WIDTH | E ROD DIAMETER | F THROAT DIAMETER | G HOUSING DIAMETER | H GROOVE DIAMETER | I PISTON DIAMETER | J BORE DIAMETER | List Price |
|---------------|-----------|-----------|-----------|---------------------|-----------------------|-----------------------|-----------------------|-----------------------|-----------------------|-----------------------|------------|
| U37-6.87-62B | 6-7/8 | 7-5/8 | 5/8 | .688 +.015 +.000 | 6.875 +.000 -.002 | 6.877 +.004 +.000 | 7.625 +.005 +.000 | 6.875 +.000 -.005 | 7.623 +.000 -.002 | 7.625 +.004 +.000 | 42.54 |
| U37-7.00 | 7 | 7-3/4 | 3/8 | .413 +.015 +.000 | 7.000 +.000 -.002 | 7.002 +.004 +.000 | 7.750 +.005 +.000 | 7.000 +.000 -.005 | 7.748 +.000 -.002 | 7.750 +.004 +.000 | 41.30 |
| U37-7.00-50B | 7 | 7-3/4 | 1/2 | .550 +.015 +.000 | 7.000 +.000 -.002 | 7.002 +.004 +.000 | 7.750 +.005 +.000 | 7.000 +.000 -.005 | 7.748 +.000 -.002 | 7.750 +.004 +.000 | 43.24 |
| U37-7.00-62B | 7 | 7-3/4 | 5/8 | .688 +.015 +.000 | 7.000 +.000 -.002 | 7.002 +.004 +.000 | 7.750 +.005 +.000 | 7.000 +.000 -.005 | 7.748 +.000 -.002 | 7.750 +.004 +.000 | 43.24 |
| U37-7.25 | 7-1/4 | 8 | 3/8 | .413 +.015 +.000 | 7.250 +.000 -.002 | 7.252 +.004 +.000 | 8.000 +.005 +.000 | 7.250 +.000 -.005 | 7.998 +.000 -.002 | 8.000 +.004 +.000 | 42.50 |
| U37-7.25-SQB | 7-1/4 | 8 | 3/8 | .413 +.015 +.000 | 7.250 +.000 -.002 | 7.252 +.004 +.000 | 8.000 +.005 +.000 | 7.250 +.000 -.005 | 7.998 +.000 -.002 | 8.000 +.004 +.000 | 42.50 |
| U37-7.25-50D | 7-1/4 | 8 | 1/2 | .550 +.015 +.000 | 7.250 +.000 -.002 | 7.252 +.004 +.000 | 8.000 +.005 +.000 | 7.250 +.000 -.005 | 7.998 +.000 -.002 | 8.000 +.004 +.000 | 54.17 |
| U37-7.25-62B | 7-1/4 | 8 | 5/8 | .688 +.015 +.000 | 7.250 +.000 -.002 | 7.252 +.004 +.000 | 8.000 +.005 +.000 | 7.250 +.000 -.005 | 7.998 +.000 -.002 | 8.000 +.004 +.000 | 47.19 |
| U37-7.50-50B | 7-1/2 | 8-1/4 | 1/2 | .550 +.015 +.000 | 7.500 +.000 -.002 | 7.502 +.004 +.000 | 8.250 +.005 +.000 | 7.500 +.000 -.005 | 8.248 +.000 -.002 | 8.250 +.004 +.000 | 61.94 |
| U37-7.75 | 7-3/4 | 8-1/2 | 3/8 | .413 +.015 +.000 | 7.750 +.000 -.002 | 7.752 +.004 +.000 | 8.500 +.005 +.000 | 7.750 +.000 -.005 | 8.498 +.000 -.002 | 8.500 +.004 +.000 | 57.43 |
| U37-7.75-62B | 7-3/4 | 8-1/2 | 5/8 | .688 +.015 +.000 | 7.750 +.000 -.002 | 7.752 +.004 +.000 | 8.500 +.005 +.000 | 7.750 +.000 -.005 | 8.498 +.000 -.002 | 8.500 +.004 +.000 | 49.57 |
| U37-8.00-50D | 8 | 8-3/4 | 1/2 | .550 +.015 +.000 | 8.000 +.000 -.002 | 8.002 +.004 +.000 | 8.750 +.005 +.000 | 8.000 +.000 -.005 | 8.748 +.000 -.002 | 8.750 +.004 +.000 | 51.00 |
| U37-8.00-62B | 8 | 8-3/4 | 5/8 | .688 +.015 +.000 | 8.000 +.000 -.002 | 8.002 +.004 +.000 | 8.750 +.005 +.000 | 8.000 +.000 -.005 | 8.748 +.000 -.002 | 8.750 +.004 +.000 | 51.00 |
| U37-8.25 | 8-1/4 | 9 | 3/8 | .413 +.015 +.000 | 8.250 +.000 -.002 | 8.252 +.004 +.000 | 9.000 +.005 +.000 | 8.250 +.000 -.005 | 8.998 +.000 -.002 | 9.000 +.004 +.000 | 47.95 |
| U37-8.25-62B | 8-1/4 | 9 | 5/8 | .688 +.015 +.000 | 8.250 +.000 -.002 | 8.252 +.004 +.000 | 9.000 +.005 +.000 | 8.250 +.000 -.005 | 8.998 +.000 -.002 | 9.000 +.004 +.000 | 52.53 |
| U37-8.75-62D | 8-3/4 | 9-1/2 | 5/8 | .688 +.015 +.000 | 8.750 +.000 -.002 | 8.752 +.004 +.000 | 9.500 +.005 +.000 | 8.750 +.000 -.005 | 9.498 +.000 -.002 | 9.500 +.004 +.000 | 52.53 |
| U37-9.00 | 9 | 9-3/4 | 3/8 | .413 +.015 +.000 | 9.000 +.000 -.002 | 9.002 +.004 +.000 | 9.750 +.005 +.000 | 9.000 +.000 -.005 | 9.748 +.000 -.002 | 9.750 +.004 +.000 | 54.94 |
| U37-9.00-62B | 9 | 9-3/4 | 5/8 | .688 +.015 +.000 | 9.000 +.000 -.002 | 9.002 +.004 +.000 | 9.750 +.005 +.000 | 9.000 +.000 -.005 | 9.748 +.000 -.002 | 9.750 +.004 +.000 | 61.51 |
| U37-9.25 | 9-1/4 | 10 | 3/8 | .413 +.015 +.000 | 9.250 +.000 -.002 | 9.252 +.004 +.000 | 10.000 +.005 +.000 | 9.250 +.000 -.005 | 9.998 +.000 -.002 | 10.000 +.004 +.000 | 50.27 |
| U37-9.25-50D | 9-1/4 | 10 | 1/2 | .550 +.015 +.000 | 9.250 +.000 -.002 | 9.252 +.004 +.000 | 10.000 +.005 +.000 | 9.250 +.000 -.005 | 9.998 +.000 -.002 | 10.000 +.004 +.000 | 75.52 |
| U37-9.25-62B | 9-1/4 | 10 | 5/8 | .688 +.015 +.000 | 9.250 +.000 -.002 | 9.252 +.004 +.000 | 10.000 +.005 +.000 | 9.250 +.000 -.005 | 9.998 +.000 -.002 | 10.000 +.004 +.000 | 74.13 |
| U37-9.50 | 9-1/2 | 10-1/4 | 3/8 | .413 +.015 +.000 | 9.500 +.000 -.002 | 9.502 +.004 +.000 | 10.250 +.005 +.000 | 9.500 +.000 -.005 | 10.248 +.000 -.002 | 10.250 +.004 +.000 | 62.87 |
| U37-9.50-62B | 9-1/2 | 10-1/4 | 5/8 | .688 +.015 +.000 | 9.500 +.000 -.002 | 9.502 +.004 +.000 | 10.250 +.005 +.000 | 9.500 +.000 -.005 | 10.248 +.000 -.002 | 10.250 +.004 +.000 | 78.84 |
| U37-9.75-62B | 9-3/4 | 10-1/2 | 5/8 | .688 +.015 +.000 | 9.750 +.000 -.002 | 9.752 +.004 +.000 | 10.500 +.005 +.000 | 9.750 +.000 -.005 | 10.498 +.000 -.002 | 10.500 +.004 +.000 | 76.14 |
| U37-10.00 | 10 | 10-3/4 | 3/8 | .413 +.015 +.000 | 10.000 +.000 -.002 | 10.002 +.004 +.000 | 10.750 +.005 +.000 | 10.000 +.000 -.005 | 10.748 +.000 -.002 | 10.750 +.004 +.000 | 147.29 |
| U37-10.00-62B | 10 | 10-3/4 | 5/8 | .688 +.015 +.000 | 10.000 +.000 -.002 | 10.002 +.004 +.000 | 10.750 +.005 +.000 | 10.000 +.000 -.005 | 10.748 +.000 -.002 | 10.750 +.004 +.000 | 91.15 |
| U37-10.50-62B | 10-1/2 | 11-1/4 | 5/8 | .688 +.015 +.000 | 10.500 +.000 -.002 | 10.502 +.004 +.000 | 11.250 +.005 +.000 | 10.500 +.000 -.005 | 11.248 +.000 -.002 | 11.250 +.004 +.000 | 113.91 |
| U37-11.00-62B | 11 | 11-3/4 | 5/8 | .688 +.015 +.000 | 11.000 +.000 -.002 | 11.002 +.004 +.000 | 11.750 +.005 +.000 | 11.000 +.000 -.005 | 11.748 +.000 -.002 | 11.750 +.004 +.000 | 103.03 |
| U37-11.25 | 11-1/4 | 12 | 3/8 | .413 +.015 +.000 | 11.250 +.000 -.002 | 11.252 +.004 +.000 | 12.000 +.005 +.000 | 11.250 +.000 -.005 | 11.998 +.000 -.002 | 12.000 +.004 +.000 | 79.06 |
| U37-11.25-62B | 11-1/4 | 12 | 5/8 | .688 +.015 +.000 | 11.250 +.000 -.002 | 11.252 +.004 +.000 | 12.000 +.005 +.000 | 11.250 +.000 -.005 | 11.998 +.000 -.002 | 12.000 +.004 +.000 | 106.27 |
| U37-11.25-62D | 11-1/4 | 12 | 5/8 | .688 +.015 +.000 | 11.250 +.000 -.002 | 11.252 +.004 +.000 | 12.000 +.005 +.000 | 11.250 +.000 -.005 | 11.998 +.000 -.002 | 12.000 +.004 +.000 | 101.91 |
| U37-12.00-62B | 12 | 12-3/4 | 5/8 | .688 +.015 +.000 | 12.000 +.000 -.002 | 12.002 +.004 +.000 | 12.750 +.005 +.000 | 12.000 +.000 -.005 | 12.748 +.000 -.002 | 12.750 +.004 +.000 | 121.46 |
| U37-12.25 | 12-1/4 | 13 | 3/8 | .413 +.015 +.000 | 12.250 +.000 -.002 | 12.252 +.004 +.000 | 13.000 +.005 +.000 | 12.250 +.000 -.005 | 12.998 +.000 -.002 | 13.000 +.004 +.000 | 93.33 |

NORTH AMERICA
PHONE 1-800-777-5617
FAX 1-800-759-6391

SALES OFFICE HOURS
8 A.M. TO 7:30 P.M. EASTERN TIME
www.HerculesUS.com

WORLDWIDE
PHONE 1-727-796-1300
FAX 1-727-797-8849

STYLE 800 POLYURETHANE U-SEALS

| Part Number | A Nom. ID | B Nom. OD | C Nom. Ht | D GROOVE WIDTH | E ROD DIAMETER | F THROAT DIAMETER | G HOUSING DIAMETER | H GROOVE DIAMETER | I PISTON DIAMETER | J BORE DIAMETER | List Price |
|------------------|-----------|-----------|-----------|--|---|--|--|---|---|--|------------|
| U37-13.25 | 13-1/4 | 14 | 3/8 | .413 ^{+0.015} / _{+0.000} | 13.250 ^{+0.000} / _{-.002} | 13.252 ^{+0.004} / _{+0.000} | 14.000 ^{+0.005} / _{+0.000} | 13.250 ^{+0.000} / _{-.005} | 13.998 ^{+0.000} / _{-.002} | 14.000 ^{+0.004} / _{+0.000} | 83.36 |
| U37-14.25-62B | 14-1/4 | 15 | 5/8 | .688 ^{+0.015} / _{+0.000} | 14.250 ^{+0.000} / _{-.002} | 14.252 ^{+0.004} / _{+0.000} | 15.000 ^{+0.005} / _{+0.000} | 14.250 ^{+0.000} / _{-.005} | 14.998 ^{+0.000} / _{-.002} | 15.000 ^{+0.004} / _{+0.000} | 179.66 |
| 7/16" C/S | | | | | | | | | | | |
| U43-1.50 | 1-1/2 | 2-3/8 | 7/16 | .482 ^{+0.015} / _{+0.000} | 1.500 ^{+0.000} / _{-.003} | 1.502 ^{+0.004} / _{+0.000} | 2.375 ^{+0.006} / _{+0.000} | 1.500 ^{+0.000} / _{-.006} | 2.373 ^{+0.000} / _{-.002} | 2.375 ^{+0.005} / _{+0.000} | \$ 11.43 |
| U43-2.50 | 2-1/2 | 3-3/8 | 7/16 | .482 ^{+0.015} / _{+0.000} | 2.500 ^{+0.000} / _{-.003} | 2.502 ^{+0.004} / _{+0.000} | 3.375 ^{+0.006} / _{+0.000} | 2.500 ^{+0.000} / _{-.006} | 3.373 ^{+0.000} / _{-.002} | 3.375 ^{+0.005} / _{+0.000} | 20.17 |
| U43-3.12 | 3-1/8 | 4 | 7/16 | .482 ^{+0.015} / _{+0.000} | 3.125 ^{+0.000} / _{-.003} | 3.127 ^{+0.004} / _{+0.000} | 4.000 ^{+0.006} / _{+0.000} | 3.125 ^{+0.000} / _{-.006} | 3.998 ^{+0.000} / _{-.002} | 4.000 ^{+0.005} / _{+0.000} | 20.98 |
| U43-3.87-75B | 3-7/8 | 4-3/4 | 3/4 | .825 ^{+0.015} / _{+0.000} | 3.875 ^{+0.000} / _{-.003} | 3.877 ^{+0.004} / _{+0.000} | 4.750 ^{+0.006} / _{+0.000} | 3.875 ^{+0.000} / _{-.006} | 4.748 ^{+0.000} / _{-.002} | 4.750 ^{+0.005} / _{+0.000} | 27.71 |
| U43-4.50 | 4-1/2 | 5-3/8 | 7/16 | .482 ^{+0.015} / _{+0.000} | 4.500 ^{+0.000} / _{-.003} | 4.502 ^{+0.004} / _{+0.000} | 5.375 ^{+0.006} / _{+0.000} | 4.500 ^{+0.000} / _{-.006} | 5.373 ^{+0.000} / _{-.002} | 5.375 ^{+0.005} / _{+0.000} | 28.95 |
| U43-4.75 | 4-3/4 | 5-5/8 | 7/16 | .482 ^{+0.015} / _{+0.000} | 4.750 ^{+0.000} / _{-.003} | 4.752 ^{+0.004} / _{+0.000} | 5.625 ^{+0.006} / _{+0.000} | 4.750 ^{+0.000} / _{-.006} | 5.623 ^{+0.000} / _{-.002} | 5.625 ^{+0.005} / _{+0.000} | 30.33 |
| U43-4.75-75B | 4-3/4 | 5-5/8 | 3/4 | .825 ^{+0.015} / _{+0.000} | 4.750 ^{+0.000} / _{-.003} | 4.752 ^{+0.004} / _{+0.000} | 5.625 ^{+0.006} / _{+0.000} | 4.750 ^{+0.000} / _{-.006} | 5.623 ^{+0.000} / _{-.002} | 5.625 ^{+0.005} / _{+0.000} | 44.22 |
| U43-5.12 | 5-1/8 | 6 | 7/16 | .482 ^{+0.015} / _{+0.000} | 5.125 ^{+0.000} / _{-.003} | 5.127 ^{+0.004} / _{+0.000} | 6.000 ^{+0.006} / _{+0.000} | 5.125 ^{+0.000} / _{-.006} | 5.998 ^{+0.000} / _{-.002} | 6.000 ^{+0.005} / _{+0.000} | 34.26 |
| U43-5.25 | 5-1/4 | 6-1/8 | 7/16 | .482 ^{+0.015} / _{+0.000} | 5.250 ^{+0.000} / _{-.003} | 5.252 ^{+0.004} / _{+0.000} | 6.125 ^{+0.006} / _{+0.000} | 5.250 ^{+0.000} / _{-.006} | 6.123 ^{+0.000} / _{-.002} | 6.125 ^{+0.005} / _{+0.000} | 48.80 |
| 1/2" C/S | | | | | | | | | | | |
| U50-1.00 | 1 | 2 | 1/2 | .550 ^{+0.015} / _{+0.000} | 1.000 ^{+0.000} / _{-.003} | 1.002 ^{+0.005} / _{+0.000} | 2.000 ^{+0.007} / _{+0.000} | 1.000 ^{+0.000} / _{-.007} | 1.998 ^{+0.000} / _{-.003} | 2.000 ^{+0.005} / _{+0.000} | \$ 11.43 |
| U50-1.25 | 1-1/4 | 2-1/4 | 1/2 | .550 ^{+0.015} / _{+0.000} | 1.250 ^{+0.000} / _{-.003} | 1.252 ^{+0.005} / _{+0.000} | 2.250 ^{+0.007} / _{+0.000} | 1.250 ^{+0.000} / _{-.007} | 2.248 ^{+0.000} / _{-.003} | 2.250 ^{+0.005} / _{+0.000} | 13.32 |
| U50-1.50 | 1-1/2 | 2-1/2 | 1/2 | .550 ^{+0.015} / _{+0.000} | 1.500 ^{+0.000} / _{-.003} | 1.502 ^{+0.005} / _{+0.000} | 2.500 ^{+0.007} / _{+0.000} | 1.500 ^{+0.000} / _{-.007} | 2.498 ^{+0.000} / _{-.003} | 2.500 ^{+0.005} / _{+0.000} | 15.62 |
| U50-1.75 | 1-3/4 | 2-3/4 | 1/2 | .550 ^{+0.015} / _{+0.000} | 1.750 ^{+0.000} / _{-.003} | 1.752 ^{+0.005} / _{+0.000} | 2.750 ^{+0.007} / _{+0.000} | 1.750 ^{+0.000} / _{-.007} | 2.748 ^{+0.000} / _{-.003} | 2.750 ^{+0.005} / _{+0.000} | 18.03 |
| U50-1.87-62B | 1-7/8 | 2-7/8 | 5/8 | .688 ^{+0.015} / _{+0.000} | 1.875 ^{+0.000} / _{-.003} | 1.877 ^{+0.005} / _{+0.000} | 2.875 ^{+0.007} / _{+0.000} | 1.875 ^{+0.000} / _{-.007} | 2.873 ^{+0.000} / _{-.003} | 2.875 ^{+0.005} / _{+0.000} | 20.14 |
| U50-2.00 | 2 | 3 | 1/2 | .550 ^{+0.015} / _{+0.000} | 2.000 ^{+0.000} / _{-.003} | 2.002 ^{+0.005} / _{+0.000} | 3.000 ^{+0.007} / _{+0.000} | 2.000 ^{+0.000} / _{-.007} | 2.998 ^{+0.000} / _{-.003} | 3.000 ^{+0.005} / _{+0.000} | 19.63 |
| U50-2.00-SQB | 2 | 3 | 1/2 | .550 ^{+0.015} / _{+0.000} | 2.000 ^{+0.000} / _{-.003} | 2.002 ^{+0.005} / _{+0.000} | 3.000 ^{+0.007} / _{+0.000} | 2.000 ^{+0.000} / _{-.007} | 2.998 ^{+0.000} / _{-.003} | 3.000 ^{+0.005} / _{+0.000} | 19.63 |
| U50-2.00-75B | 2 | 3 | 3/4 | .825 ^{+0.015} / _{+0.000} | 2.000 ^{+0.000} / _{-.003} | 2.002 ^{+0.005} / _{+0.000} | 3.000 ^{+0.007} / _{+0.000} | 2.000 ^{+0.000} / _{-.007} | 2.998 ^{+0.000} / _{-.003} | 3.000 ^{+0.005} / _{+0.000} | 20.79 |
| U50-2.25 | 2-1/4 | 3-1/4 | 1/2 | .550 ^{+0.015} / _{+0.000} | 2.250 ^{+0.000} / _{-.003} | 2.252 ^{+0.005} / _{+0.000} | 3.250 ^{+0.007} / _{+0.000} | 2.250 ^{+0.000} / _{-.007} | 3.248 ^{+0.000} / _{-.003} | 3.250 ^{+0.005} / _{+0.000} | 19.63 |
| U50-2.37-SQB | 2-3/8 | 3-3/8 | 1/2 | .550 ^{+0.015} / _{+0.000} | 2.375 ^{+0.000} / _{-.003} | 2.377 ^{+0.005} / _{+0.000} | 3.375 ^{+0.007} / _{+0.000} | 2.375 ^{+0.000} / _{-.007} | 3.373 ^{+0.000} / _{-.003} | 3.375 ^{+0.005} / _{+0.000} | 21.39 |
| U50-2.50 | 2-1/2 | 3-1/2 | 1/2 | .550 ^{+0.015} / _{+0.000} | 2.500 ^{+0.000} / _{-.003} | 2.502 ^{+0.005} / _{+0.000} | 3.500 ^{+0.007} / _{+0.000} | 2.500 ^{+0.000} / _{-.007} | 3.498 ^{+0.000} / _{-.003} | 3.500 ^{+0.005} / _{+0.000} | 22.61 |
| U50-2.50-75B | 2-1/2 | 3-1/2 | 3/4 | .825 ^{+0.015} / _{+0.000} | 2.500 ^{+0.000} / _{-.003} | 2.502 ^{+0.005} / _{+0.000} | 3.500 ^{+0.007} / _{+0.000} | 2.500 ^{+0.000} / _{-.007} | 3.498 ^{+0.000} / _{-.003} | 3.500 ^{+0.005} / _{+0.000} | 26.07 |
| U50-2.75 | 2-3/4 | 3-3/4 | 1/2 | .550 ^{+0.015} / _{+0.000} | 2.750 ^{+0.000} / _{-.003} | 2.752 ^{+0.005} / _{+0.000} | 3.750 ^{+0.007} / _{+0.000} | 2.750 ^{+0.000} / _{-.007} | 3.748 ^{+0.000} / _{-.003} | 3.750 ^{+0.005} / _{+0.000} | 24.48 |
| U50-3.00 | 3 | 4 | 1/2 | .550 ^{+0.015} / _{+0.000} | 3.000 ^{+0.000} / _{-.003} | 3.002 ^{+0.005} / _{+0.000} | 4.000 ^{+0.007} / _{+0.000} | 3.000 ^{+0.000} / _{-.007} | 3.998 ^{+0.000} / _{-.003} | 4.000 ^{+0.005} / _{+0.000} | 26.37 |
| U50-3.00-SQB | 3 | 4 | 1/2 | .550 ^{+0.015} / _{+0.000} | 3.000 ^{+0.000} / _{-.003} | 3.002 ^{+0.005} / _{+0.000} | 4.000 ^{+0.007} / _{+0.000} | 3.000 ^{+0.000} / _{-.007} | 3.998 ^{+0.000} / _{-.003} | 4.000 ^{+0.005} / _{+0.000} | 26.37 |
| U50-3.00-62B | 3 | 4 | 5/8 | .688 ^{+0.015} / _{+0.000} | 3.000 ^{+0.000} / _{-.003} | 3.002 ^{+0.005} / _{+0.000} | 4.000 ^{+0.007} / _{+0.000} | 3.000 ^{+0.000} / _{-.007} | 3.998 ^{+0.000} / _{-.003} | 4.000 ^{+0.005} / _{+0.000} | 30.76 |
| U50-3.00-75B | 3 | 4 | 3/4 | .825 ^{+0.015} / _{+0.000} | 3.000 ^{+0.000} / _{-.003} | 3.002 ^{+0.005} / _{+0.000} | 4.000 ^{+0.007} / _{+0.000} | 3.000 ^{+0.000} / _{-.007} | 3.998 ^{+0.000} / _{-.003} | 4.000 ^{+0.005} / _{+0.000} | 34.56 |
| U50-3.00-75D | 3 | 4 | 3/4 | .825 ^{+0.015} / _{+0.000} | 3.000 ^{+0.000} / _{-.003} | 3.002 ^{+0.005} / _{+0.000} | 4.000 ^{+0.007} / _{+0.000} | 3.000 ^{+0.000} / _{-.007} | 3.998 ^{+0.000} / _{-.003} | 4.000 ^{+0.005} / _{+0.000} | 39.51 |
| U50-3.25 | 3-1/4 | 4-1/4 | 1/2 | .550 ^{+0.015} / _{+0.000} | 3.250 ^{+0.000} / _{-.003} | 3.252 ^{+0.005} / _{+0.000} | 4.250 ^{+0.007} / _{+0.000} | 3.250 ^{+0.000} / _{-.007} | 4.248 ^{+0.000} / _{-.003} | 4.250 ^{+0.005} / _{+0.000} | 28.05 |
| U50-3.50 | 3-1/2 | 4-1/2 | 1/2 | .550 ^{+0.015} / _{+0.000} | 3.500 ^{+0.000} / _{-.003} | 3.502 ^{+0.005} / _{+0.000} | 4.500 ^{+0.007} / _{+0.000} | 3.500 ^{+0.000} / _{-.007} | 4.498 ^{+0.000} / _{-.003} | 4.500 ^{+0.005} / _{+0.000} | 29.88 |

U-SEALS



STYLE 800 POLYURETHANE U-SEALS

U-SEALS

| Part Number | A Nom. ID | B Nom. OD | C Nom. Ht | D GROOVE WIDTH | E ROD DIAMETER | F THROAT DIAMETER | G HOUSING DIAMETER | H GROOVE DIAMETER | I PISTON DIAMETER | J BORE DIAMETER | List Price |
|--------------|-----------|-----------|-----------|--------------------|---------------------|---------------------|---------------------|---------------------|---------------------|---------------------|------------|
| U50-3.50-75B | 3-1/2 | 4-1/2 | 3/4 | .825 +.015 / +.000 | 3.500 +.000 / -.003 | 3.502 +.005 / +.000 | 4.500 +.007 / +.000 | 3.500 +.000 / -.007 | 4.498 +.000 / -.003 | 4.500 +.005 / +.000 | 33.24 |
| U50-3.50-75D | 3-1/2 | 4-1/2 | 3/4 | .825 +.015 / +.000 | 3.500 +.000 / -.003 | 3.502 +.005 / +.000 | 4.500 +.007 / +.000 | 3.500 +.000 / -.007 | 4.498 +.000 / -.003 | 4.500 +.005 / +.000 | 33.24 |
| U50-3.62 | 3-5/8 | 4-5/8 | 1/2 | .550 +.015 / +.000 | 3.625 +.000 / -.003 | 3.627 +.005 / +.000 | 4.625 +.007 / +.000 | 3.625 +.000 / -.007 | 4.623 +.000 / -.003 | 4.625 +.005 / +.000 | 28.92 |
| U50-3.75 | 3-3/4 | 4-3/4 | 1/2 | .550 +.015 / +.000 | 3.750 +.000 / -.003 | 3.752 +.005 / +.000 | 4.750 +.007 / +.000 | 3.750 +.000 / -.007 | 4.748 +.000 / -.003 | 4.750 +.005 / +.000 | 31.10 |
| U50-4.00 | 4 | 5 | 1/2 | .550 +.015 / +.000 | 4.000 +.000 / -.003 | 4.002 +.005 / +.000 | 5.000 +.007 / +.000 | 4.000 +.000 / -.007 | 4.998 +.000 / -.003 | 5.000 +.005 / +.000 | 31.73 |
| U50-4.00-67D | 4 | 5 | 43/64 | .740 +.015 / +.000 | 4.000 +.000 / -.003 | 4.002 +.005 / +.000 | 5.000 +.007 / +.000 | 4.000 +.000 / -.007 | 4.998 +.000 / -.003 | 5.000 +.005 / +.000 | 39.90 |
| U50-4.00-75B | 4 | 5 | 3/4 | .825 +.015 / +.000 | 4.000 +.000 / -.003 | 4.002 +.005 / +.000 | 5.000 +.007 / +.000 | 4.000 +.000 / -.007 | 4.998 +.000 / -.003 | 5.000 +.005 / +.000 | 34.46 |
| U50-4.25 | 4-1/4 | 5-1/4 | 1/2 | .550 +.015 / +.000 | 4.250 +.000 / -.003 | 4.252 +.005 / +.000 | 5.250 +.007 / +.000 | 4.250 +.000 / -.007 | 5.248 +.000 / -.003 | 5.250 +.005 / +.000 | 34.98 |
| U50-4.25-75B | 4-1/4 | 5-1/4 | 3/4 | .825 +.015 / +.000 | 4.250 +.000 / -.003 | 4.252 +.005 / +.000 | 5.250 +.007 / +.000 | 4.250 +.000 / -.007 | 5.248 +.000 / -.003 | 5.250 +.005 / +.000 | 37.82 |
| U50-4.50 | 4-1/2 | 5-1/2 | 1/2 | .550 +.015 / +.000 | 4.500 +.000 / -.003 | 4.502 +.005 / +.000 | 5.500 +.007 / +.000 | 4.500 +.000 / -.007 | 5.498 +.000 / -.003 | 5.500 +.005 / +.000 | 36.93 |
| U50-4.50-75B | 4-1/2 | 5-1/2 | 3/4 | .825 +.015 / +.000 | 4.500 +.000 / -.003 | 4.502 +.005 / +.000 | 5.500 +.007 / +.000 | 4.500 +.000 / -.007 | 5.498 +.000 / -.003 | 5.500 +.005 / +.000 | 40.73 |
| U50-4.50-75D | 4-1/2 | 5-1/2 | 3/4 | .825 +.015 / +.000 | 4.500 +.000 / -.003 | 4.502 +.005 / +.000 | 5.500 +.007 / +.000 | 4.500 +.000 / -.007 | 5.498 +.000 / -.003 | 5.500 +.005 / +.000 | 40.73 |
| U50-4.75 | 4-3/4 | 5-3/4 | 1/2 | .550 +.015 / +.000 | 4.750 +.000 / -.003 | 4.752 +.005 / +.000 | 5.750 +.007 / +.000 | 4.750 +.000 / -.007 | 5.748 +.000 / -.003 | 5.750 +.005 / +.000 | 38.62 |
| U50-4.75-69B | 4-3/4 | 5-3/4 | .69 | .759 +.015 / +.000 | 4.750 +.000 / -.003 | 4.752 +.005 / +.000 | 5.750 +.007 / +.000 | 4.750 +.000 / -.007 | 5.748 +.000 / -.003 | 5.750 +.005 / +.000 | 42.74 |
| U50-5.00 | 5 | 6 | 1/2 | .550 +.015 / +.000 | 5.000 +.000 / -.003 | 5.002 +.005 / +.000 | 6.000 +.007 / +.000 | 5.000 +.000 / -.007 | 5.998 +.000 / -.003 | 6.000 +.005 / +.000 | 46.99 |
| U50-5.00-SQB | 5 | 6 | 1/2 | .550 +.015 / +.000 | 5.000 +.000 / -.003 | 5.002 +.005 / +.000 | 6.000 +.007 / +.000 | 5.000 +.000 / -.007 | 5.998 +.000 / -.003 | 6.000 +.005 / +.000 | 38.73 |
| U50-5.00-75B | 5 | 6 | 3/4 | .825 +.015 / +.000 | 5.000 +.000 / -.003 | 5.002 +.005 / +.000 | 6.000 +.007 / +.000 | 5.000 +.000 / -.007 | 5.998 +.000 / -.003 | 6.000 +.005 / +.000 | 43.06 |
| U50-5.00-75D | 5 | 6 | 3/4 | .825 +.015 / +.000 | 5.000 +.000 / -.003 | 5.002 +.005 / +.000 | 6.000 +.007 / +.000 | 5.000 +.000 / -.007 | 5.998 +.000 / -.003 | 6.000 +.005 / +.000 | 43.06 |
| U50-5.25 | 5-1/4 | 6-1/4 | 1/2 | .550 +.015 / +.000 | 5.250 +.000 / -.003 | 5.252 +.005 / +.000 | 6.250 +.007 / +.000 | 5.250 +.000 / -.007 | 6.248 +.000 / -.003 | 6.250 +.005 / +.000 | 42.23 |
| U50-5.25-75B | 5-1/4 | 6-1/4 | 3/4 | .825 +.015 / +.000 | 5.250 +.000 / -.003 | 5.252 +.005 / +.000 | 6.250 +.007 / +.000 | 5.250 +.000 / -.007 | 6.248 +.000 / -.003 | 6.250 +.005 / +.000 | 59.86 |
| U50-5.37-75B | 5-3/8 | 6-3/8 | 3/4 | .825 +.015 / +.000 | 5.375 +.000 / -.003 | 5.377 +.005 / +.000 | 6.375 +.007 / +.000 | 5.375 +.000 / -.007 | 6.373 +.000 / -.003 | 6.375 +.005 / +.000 | 53.62 |
| U50-5.50 | 5-1/2 | 6-1/2 | 1/2 | .550 +.015 / +.000 | 5.500 +.000 / -.003 | 5.502 +.005 / +.000 | 6.500 +.007 / +.000 | 5.500 +.000 / -.007 | 6.498 +.000 / -.003 | 6.500 +.005 / +.000 | 42.88 |
| U50-5.50-75B | 5-1/2 | 6-1/2 | 3/4 | .825 +.015 / +.000 | 5.500 +.000 / -.003 | 5.502 +.005 / +.000 | 6.500 +.007 / +.000 | 5.500 +.000 / -.007 | 6.498 +.000 / -.003 | 6.500 +.005 / +.000 | 45.46 |
| U50-5.50-75D | 5-1/2 | 6-1/2 | 3/4 | .825 +.015 / +.000 | 5.500 +.000 / -.003 | 5.502 +.005 / +.000 | 6.500 +.007 / +.000 | 5.500 +.000 / -.007 | 6.498 +.000 / -.003 | 6.500 +.005 / +.000 | 45.46 |
| U50-5.75 | 5-3/4 | 6-3/4 | 1/2 | .550 +.015 / +.000 | 5.750 +.000 / -.003 | 5.752 +.005 / +.000 | 6.750 +.007 / +.000 | 5.750 +.000 / -.007 | 6.748 +.000 / -.003 | 6.750 +.005 / +.000 | 44.14 |
| U50-5.75-75B | 5-3/4 | 6-3/4 | 3/4 | .825 +.015 / +.000 | 5.750 +.000 / -.003 | 5.752 +.005 / +.000 | 6.750 +.007 / +.000 | 5.750 +.000 / -.007 | 6.748 +.000 / -.003 | 6.750 +.005 / +.000 | 58.17 |
| U50-6.00-SQB | 6 | 7 | 1/2 | .550 +.015 / +.000 | 6.000 +.000 / -.003 | 6.002 +.005 / +.000 | 7.000 +.007 / +.000 | 6.000 +.000 / -.007 | 6.998 +.000 / -.003 | 7.000 +.005 / +.000 | 46.22 |
| U50-6.00-75B | 6 | 7 | 3/4 | .825 +.015 / +.000 | 6.000 +.000 / -.003 | 6.002 +.005 / +.000 | 7.000 +.007 / +.000 | 6.000 +.000 / -.007 | 6.998 +.000 / -.003 | 7.000 +.005 / +.000 | 49.18 |
| U50-6.00-75D | 6 | 7 | 3/4 | .825 +.015 / +.000 | 6.000 +.000 / -.003 | 6.002 +.005 / +.000 | 7.000 +.007 / +.000 | 6.000 +.000 / -.007 | 6.998 +.000 / -.003 | 7.000 +.005 / +.000 | 49.18 |
| U50-6.25 | 6-1/4 | 7-1/4 | 1/2 | .550 +.015 / +.000 | 6.250 +.000 / -.003 | 6.252 +.005 / +.000 | 7.250 +.007 / +.000 | 6.250 +.000 / -.007 | 7.248 +.000 / -.003 | 7.250 +.005 / +.000 | 47.34 |
| U50-6.50 | 6-1/2 | 7-1/2 | 1/2 | .550 +.015 / +.000 | 6.500 +.000 / -.003 | 6.502 +.005 / +.000 | 7.500 +.007 / +.000 | 6.500 +.000 / -.007 | 7.498 +.000 / -.003 | 7.500 +.005 / +.000 | 47.66 |
| U50-6.50-75B | 6-1/2 | 7-1/2 | 3/4 | .825 +.015 / +.000 | 6.500 +.000 / -.003 | 6.502 +.005 / +.000 | 7.500 +.007 / +.000 | 6.500 +.000 / -.007 | 7.498 +.000 / -.003 | 7.500 +.005 / +.000 | 48.00 |
| U50-6.75-75B | 6-3/4 | 7-3/4 | 3/4 | .825 +.015 / +.000 | 6.750 +.000 / -.003 | 6.752 +.005 / +.000 | 7.750 +.007 / +.000 | 6.750 +.000 / -.007 | 7.748 +.000 / -.003 | 7.750 +.005 / +.000 | 48.00 |

STYLE 800 POLYURETHANE U-SEALS

| Part Number | A Nom. ID | B Nom. OD | C Nom. Ht | D GROOVE WIDTH | E ROD DIAMETER | F THROAT DIAMETER | G HOUSING DIAMETER | H GROOVE DIAMETER | I PISTON DIAMETER | J BORE DIAMETER | List Price |
|---------------|-----------|-----------|-----------|---------------------|-----------------------|-----------------------|-----------------------|-----------------------|-----------------------|-----------------------|------------|
| U50-7.00 | 7 | 8 | 1/2 | .550 +.015 +.000 | 7.000 +.000 -.003 | 7.002 +.005 +.000 | 8.000 +.007 +.000 | 7.000 +.000 -.007 | 7.998 +.000 -.003 | 8.000 +.005 +.000 | 49.50 |
| U50-7.00-75B | 7 | 8 | 3/4 | .825 +.015 +.000 | 7.000 +.000 -.003 | 7.002 +.005 +.000 | 8.000 +.007 +.000 | 7.000 +.000 -.007 | 7.998 +.000 -.003 | 8.000 +.005 +.000 | 51.45 |
| U50-7.25 | 7-1/4 | 8-1/4 | 1/2 | .550 +.015 +.000 | 7.250 +.000 -.003 | 7.252 +.005 +.000 | 8.250 +.007 +.000 | 7.250 +.000 -.007 | 8.248 +.000 -.003 | 8.250 +.005 +.000 | 55.14 |
| U50-7.50 | 7-1/2 | 8-1/2 | 1/2 | .550 +.015 +.000 | 7.500 +.000 -.003 | 7.502 +.005 +.000 | 8.500 +.007 +.000 | 7.500 +.000 -.007 | 8.498 +.000 -.003 | 8.500 +.005 +.000 | 55.26 |
| U50-7.50-75D | 7-1/2 | 8-1/2 | 3/4 | .825 +.015 +.000 | 7.500 +.000 -.003 | 7.502 +.005 +.000 | 8.500 +.007 +.000 | 7.500 +.000 -.007 | 8.498 +.000 -.003 | 8.500 +.005 +.000 | 56.90 |
| U50-8.00 | 8 | 9 | 1/2 | .550 +.015 +.000 | 8.000 +.000 -.003 | 8.002 +.005 +.000 | 9.000 +.007 +.000 | 8.000 +.000 -.007 | 8.998 +.000 -.003 | 9.000 +.005 +.000 | 56.90 |
| U50-8.00-75B | 8 | 9 | 3/4 | .825 +.015 +.000 | 8.000 +.000 -.003 | 8.002 +.005 +.000 | 9.000 +.007 +.000 | 8.000 +.000 -.007 | 8.998 +.000 -.003 | 9.000 +.005 +.000 | 58.51 |
| U50-8.00-75D | 8 | 9 | 3/4 | .825 +.015 +.000 | 8.000 +.000 -.003 | 8.002 +.005 +.000 | 9.000 +.007 +.000 | 8.000 +.000 -.007 | 8.998 +.000 -.003 | 9.000 +.005 +.000 | 58.51 |
| U50-8.50 | 8-1/2 | 9-1/2 | 1/2 | .550 +.015 +.000 | 8.500 +.000 -.003 | 8.502 +.005 +.000 | 9.500 +.007 +.000 | 8.500 +.000 -.007 | 9.498 +.000 -.003 | 9.500 +.005 +.000 | 59.07 |
| U50-8.50-75B | 8-1/2 | 9-1/2 | 3/4 | .825 +.015 +.000 | 8.500 +.000 -.003 | 8.502 +.005 +.000 | 9.500 +.007 +.000 | 8.500 +.000 -.007 | 9.498 +.000 -.003 | 9.500 +.005 +.000 | 65.49 |
| U50-8.75 | 8-3/4 | 9-3/4 | 1/2 | .550 +.015 +.000 | 8.750 +.000 -.003 | 8.752 +.005 +.000 | 9.750 +.007 +.000 | 8.750 +.000 -.007 | 9.748 +.000 -.003 | 9.750 +.005 +.000 | 84.14 |
| U50-9.00 | 9 | 10 | 1/2 | .550 +.015 +.000 | 9.000 +.000 -.003 | 9.002 +.005 +.000 | 10.000 +.007 +.000 | 9.000 +.000 -.007 | 9.998 +.000 -.003 | 10.000 +.005 +.000 | 59.32 |
| U50-9.00N | 9 | 10 | 1/2 | .550 +.015 +.000 | 9.000 +.000 -.003 | 9.002 +.005 +.000 | 10.000 +.007 +.000 | 9.000 +.000 -.007 | 9.998 +.000 -.003 | 10.000 +.005 +.000 | 145.86 |
| U50-9.00-75B | 9 | 10 | 3/4 | .825 +.015 +.000 | 9.000 +.000 -.003 | 9.002 +.005 +.000 | 10.000 +.007 +.000 | 9.000 +.000 -.007 | 9.998 +.000 -.003 | 10.000 +.005 +.000 | 68.49 |
| U50-9.25-75B | 9-1/4 | 10-1/4 | 3/4 | .825 +.015 +.000 | 9.250 +.000 -.003 | 9.252 +.005 +.000 | 10.250 +.007 +.000 | 9.250 +.000 -.007 | 10.248 +.000 -.003 | 10.250 +.005 +.000 | 69.78 |
| U50-9.50 | 9-1/2 | 10-1/2 | 1/2 | .550 +.015 +.000 | 9.500 +.000 -.003 | 9.502 +.005 +.000 | 10.500 +.007 +.000 | 9.500 +.000 -.007 | 10.498 +.000 -.003 | 10.500 +.005 +.000 | 69.78 |
| U50-10.00 | 10 | 11 | 1/2 | .550 +.015 +.000 | 10.000 +.000 -.003 | 10.002 +.005 +.000 | 11.000 +.007 +.000 | 10.000 +.000 -.007 | 10.998 +.000 -.003 | 11.000 +.005 +.000 | 77.77 |
| U50-10.00-75B | 10 | 11 | 3/4 | .825 +.015 +.000 | 10.000 +.000 -.003 | 10.002 +.005 +.000 | 11.000 +.007 +.000 | 10.000 +.000 -.007 | 10.998 +.000 -.003 | 11.000 +.005 +.000 | 101.84 |
| U50-10.00-75D | 10 | 11 | 3/4 | .825 +.015 +.000 | 10.000 +.000 -.003 | 10.002 +.005 +.000 | 11.000 +.007 +.000 | 10.000 +.000 -.007 | 10.998 +.000 -.003 | 11.000 +.005 +.000 | 108.66 |
| U50-10.50 | 10-1/2 | 11-1/2 | 1/2 | .550 +.015 +.000 | 10.500 +.000 -.003 | 10.502 +.005 +.000 | 11.500 +.007 +.000 | 10.500 +.000 -.007 | 11.498 +.000 -.003 | 11.500 +.005 +.000 | 75.20 |
| U50-10.62-75B | 10-5/8 | 11-5/8 | 3/4 | .825 +.015 +.000 | 10.625 +.000 -.003 | 10.627 +.005 +.000 | 11.625 +.007 +.000 | 10.625 +.000 -.007 | 11.623 +.000 -.003 | 11.625 +.005 +.000 | 111.92 |
| U50-11.00 | 11 | 12 | 1/2 | .550 +.015 +.000 | 11.000 +.000 -.003 | 11.002 +.005 +.000 | 12.000 +.007 +.000 | 11.000 +.000 -.007 | 11.998 +.000 -.003 | 12.000 +.005 +.000 | 76.96 |
| U50-11.00-75B | 11 | 12 | 3/4 | .825 +.015 +.000 | 11.000 +.000 -.003 | 11.002 +.005 +.000 | 12.000 +.007 +.000 | 11.000 +.000 -.007 | 11.998 +.000 -.003 | 12.000 +.005 +.000 | 122.79 |
| U50-11.50-75D | 11-1/2 | 12-1/2 | 3/4 | .825 +.015 +.000 | 11.500 +.000 -.003 | 11.502 +.005 +.000 | 12.500 +.007 +.000 | 11.500 +.000 -.007 | 12.498 +.000 -.003 | 12.500 +.005 +.000 | 140.34 |
| U50-12.00 | 12 | 13 | 1/2 | .550 +.015 +.000 | 12.000 +.000 -.003 | 12.002 +.005 +.000 | 13.000 +.007 +.000 | 12.000 +.000 -.007 | 12.998 +.000 -.003 | 13.000 +.005 +.000 | 104.08 |
| U50-12.00-75B | 12 | 13 | 3/4 | .825 +.015 +.000 | 12.000 +.000 -.003 | 12.002 +.005 +.000 | 13.000 +.007 +.000 | 12.000 +.000 -.007 | 12.998 +.000 -.003 | 13.000 +.005 +.000 | 137.99 |
| U50-13.00 | 13 | 14 | 1/2 | .550 +.015 +.000 | 13.000 +.000 -.003 | 13.002 +.005 +.000 | 14.000 +.007 +.000 | 13.000 +.000 -.007 | 13.998 +.000 -.003 | 14.000 +.005 +.000 | 104.92 |
| U50-13.00-75B | 13 | 14 | 3/4 | .825 +.015 +.000 | 13.000 +.000 -.003 | 13.002 +.005 +.000 | 14.000 +.007 +.000 | 13.000 +.000 -.007 | 13.998 +.000 -.003 | 14.000 +.005 +.000 | 168.67 |
| U50-13.50-75D | 13-1/2 | 14-1/2 | 3/4 | .825 +.015 +.000 | 13.500 +.000 -.003 | 13.502 +.005 +.000 | 14.500 +.007 +.000 | 13.500 +.000 -.007 | 14.498 +.000 -.003 | 14.500 +.005 +.000 | 221.36 |
| U50-14.00-75B | 14 | 15 | 3/4 | .825 +.015 +.000 | 14.000 +.000 -.003 | 14.002 +.005 +.000 | 15.000 +.007 +.000 | 14.000 +.000 -.007 | 14.998 +.000 -.003 | 15.000 +.005 +.000 | 224.80 |
| U50-15.00 | 15 | 16 | 1/2 | .550 +.015 +.000 | 15.000 +.000 -.003 | 15.002 +.005 +.000 | 16.000 +.007 +.000 | 15.000 +.000 -.007 | 15.998 +.000 -.003 | 16.000 +.005 +.000 | 132.64 |
| U50-15.00-75B | 15 | 16 | 3/4 | .825 +.015 +.000 | 15.000 +.000 -.003 | 15.002 +.005 +.000 | 16.000 +.007 +.000 | 15.000 +.000 -.007 | 15.998 +.000 -.003 | 16.000 +.005 +.000 | 226.22 |
| U50-15.50-75D | 15-1/2 | 16-1/2 | 3/4 | .825 +.015 +.000 | 15.500 +.000 -.003 | 15.502 +.005 +.000 | 16.500 +.007 +.000 | 15.500 +.000 -.007 | 16.498 +.000 -.003 | 16.500 +.005 +.000 | 238.19 |

U-SEALS



STYLE 800 POLYURETHANE U-SEALS

U-SEALS

| Part Number | A Nom. ID | B Nom. OD | C Nom. Ht | D GROOVE WIDTH | E ROD DIAMETER | F THROAT DIAMETER | G HOUSING DIAMETER | H GROOVE DIAMETER | I PISTON DIAMETER | J BORE DIAMETER | List Price |
|-----------------|-----------|-----------|-----------|---|--|--|--|--|--|--|------------|
| U50-17.00-75B | 17 | 18 | 3/4 | .825 ^{+0.015} / _{+0.000} | 17.000 ^{+0.000} / _{-0.003} | 17.002 ^{+0.005} / _{+0.000} | 18.000 ^{+0.007} / _{+0.000} | 17.000 ^{+0.000} / _{-0.007} | 17.998 ^{+0.000} / _{-0.003} | 18.000 ^{+0.005} / _{+0.000} | 248.51 |
| 5/8" C/S | | | | | | | | | | | |
| U62-1.25 | 1-1/4 | 2-1/2 | 5/8 | .688 ^{+0.015} / _{+0.000} | 1.250 ^{+0.000} / _{-0.003} | 1.252 ^{+0.006} / _{+0.000} | 2.500 ^{+0.009} / _{+0.000} | 1.250 ^{+0.000} / _{-0.009} | 2.498 ^{+0.000} / _{-0.003} | 2.500 ^{+0.006} / _{+0.000} | \$18.32 |
| U62-1.75 | 1-3/4 | 3 | 5/8 | .688 ^{+0.015} / _{+0.000} | 1.750 ^{+0.000} / _{-0.003} | 1.752 ^{+0.006} / _{+0.000} | 3.000 ^{+0.009} / _{+0.000} | 1.750 ^{+0.000} / _{-0.009} | 2.998 ^{+0.000} / _{-0.003} | 3.000 ^{+0.006} / _{+0.000} | 25.94 |
| U62-2.75 | 2-3/4 | 4 | 5/8 | .688 ^{+0.015} / _{+0.000} | 2.750 ^{+0.000} / _{-0.003} | 2.752 ^{+0.006} / _{+0.000} | 4.000 ^{+0.009} / _{+0.000} | 2.750 ^{+0.000} / _{-0.009} | 3.998 ^{+0.000} / _{-0.003} | 4.000 ^{+0.006} / _{+0.000} | 29.48 |
| U62-3.00 | 3 | 4-1/4 | 5/8 | .688 ^{+0.015} / _{+0.000} | 3.000 ^{+0.000} / _{-0.003} | 3.002 ^{+0.006} / _{+0.000} | 4.250 ^{+0.009} / _{+0.000} | 3.000 ^{+0.000} / _{-0.009} | 4.248 ^{+0.000} / _{-0.003} | 4.250 ^{+0.006} / _{+0.000} | 30.26 |
| U62-3.25 | 3-1/4 | 4-1/2 | 5/8 | .688 ^{+0.015} / _{+0.000} | 3.250 ^{+0.000} / _{-0.003} | 3.252 ^{+0.006} / _{+0.000} | 4.500 ^{+0.009} / _{+0.000} | 3.250 ^{+0.000} / _{-0.009} | 4.498 ^{+0.000} / _{-0.003} | 4.500 ^{+0.006} / _{+0.000} | 34.21 |
| U62-3.50 | 3-1/2 | 4-3/4 | 5/8 | .688 ^{+0.015} / _{+0.000} | 3.500 ^{+0.000} / _{-0.003} | 3.502 ^{+0.006} / _{+0.000} | 4.750 ^{+0.009} / _{+0.000} | 3.500 ^{+0.000} / _{-0.009} | 4.748 ^{+0.000} / _{-0.003} | 4.750 ^{+0.006} / _{+0.000} | 36.86 |
| U62-3.75 | 3-3/4 | 5 | 5/8 | .688 ^{+0.015} / _{+0.000} | 3.750 ^{+0.000} / _{-0.003} | 3.752 ^{+0.006} / _{+0.000} | 5.000 ^{+0.009} / _{+0.000} | 3.750 ^{+0.000} / _{-0.009} | 4.998 ^{+0.000} / _{-0.003} | 5.000 ^{+0.006} / _{+0.000} | 37.46 |
| U62-4.00 | 4 | 5-1/4 | 5/8 | .688 ^{+0.015} / _{+0.000} | 4.000 ^{+0.000} / _{-0.003} | 4.002 ^{+0.006} / _{+0.000} | 5.250 ^{+0.009} / _{+0.000} | 4.000 ^{+0.000} / _{-0.009} | 5.248 ^{+0.000} / _{-0.003} | 5.250 ^{+0.006} / _{+0.000} | 41.30 |
| U62-4.25 | 4-1/4 | 5-1/2 | 5/8 | .688 ^{+0.015} / _{+0.000} | 4.250 ^{+0.000} / _{-0.003} | 4.252 ^{+0.006} / _{+0.000} | 5.500 ^{+0.009} / _{+0.000} | 4.250 ^{+0.000} / _{-0.009} | 5.498 ^{+0.000} / _{-0.003} | 5.500 ^{+0.006} / _{+0.000} | 43.13 |
| U62-4.75 | 4-3/4 | 6 | 5/8 | .688 ^{+0.015} / _{+0.000} | 4.750 ^{+0.000} / _{-0.003} | 4.752 ^{+0.006} / _{+0.000} | 6.000 ^{+0.009} / _{+0.000} | 4.750 ^{+0.000} / _{-0.009} | 5.998 ^{+0.000} / _{-0.003} | 6.000 ^{+0.006} / _{+0.000} | 48.14 |
| U62-4.75-75D | 4-3/4 | 6 | 3/4 | .825 ^{+0.015} / _{+0.000} | 4.750 ^{+0.000} / _{-0.003} | 4.752 ^{+0.006} / _{+0.000} | 6.000 ^{+0.009} / _{+0.000} | 4.750 ^{+0.000} / _{-0.009} | 5.998 ^{+0.000} / _{-0.003} | 6.000 ^{+0.006} / _{+0.000} | 53.00 |
| U62-5.00 | 5 | 6-1/4 | 5/8 | .688 ^{+0.015} / _{+0.000} | 5.000 ^{+0.000} / _{-0.003} | 5.002 ^{+0.006} / _{+0.000} | 6.250 ^{+0.009} / _{+0.000} | 5.000 ^{+0.000} / _{-0.009} | 6.248 ^{+0.000} / _{-0.003} | 6.250 ^{+0.006} / _{+0.000} | 53.24 |
| U62-5.25 | 5-1/4 | 6-1/2 | 5/8 | .688 ^{+0.015} / _{+0.000} | 5.250 ^{+0.000} / _{-0.003} | 5.252 ^{+0.006} / _{+0.000} | 6.500 ^{+0.009} / _{+0.000} | 5.250 ^{+0.000} / _{-0.009} | 6.498 ^{+0.000} / _{-0.003} | 6.500 ^{+0.006} / _{+0.000} | 53.56 |
| U62-5.50 | 5-1/2 | 6-3/4 | 5/8 | .688 ^{+0.015} / _{+0.000} | 5.500 ^{+0.000} / _{-0.003} | 5.502 ^{+0.006} / _{+0.000} | 6.750 ^{+0.009} / _{+0.000} | 5.500 ^{+0.000} / _{-0.009} | 6.748 ^{+0.000} / _{-0.003} | 6.750 ^{+0.006} / _{+0.000} | 61.78 |
| U62-5.75 | 5-3/4 | 7 | 5/8 | .688 ^{+0.015} / _{+0.000} | 5.750 ^{+0.000} / _{-0.003} | 5.752 ^{+0.006} / _{+0.000} | 7.000 ^{+0.009} / _{+0.000} | 5.750 ^{+0.000} / _{-0.009} | 6.998 ^{+0.000} / _{-0.003} | 7.000 ^{+0.006} / _{+0.000} | 57.95 |
| U62-6.00 | 6 | 7-1/4 | 5/8 | .688 ^{+0.015} / _{+0.000} | 6.000 ^{+0.000} / _{-0.003} | 6.002 ^{+0.006} / _{+0.000} | 7.250 ^{+0.009} / _{+0.000} | 6.000 ^{+0.000} / _{-0.009} | 7.248 ^{+0.000} / _{-0.003} | 7.250 ^{+0.006} / _{+0.000} | 63.23 |
| U62-6.25 | 6-1/4 | 7-1/2 | 5/8 | .688 ^{+0.015} / _{+0.000} | 6.250 ^{+0.000} / _{-0.003} | 6.252 ^{+0.006} / _{+0.000} | 7.500 ^{+0.009} / _{+0.000} | 6.250 ^{+0.000} / _{-0.009} | 7.498 ^{+0.000} / _{-0.003} | 7.500 ^{+0.006} / _{+0.000} | 64.45 |
| U62-7.00-100B | 7 | 8-1/4 | 1 | 1.100 ^{+0.015} / _{+0.000} | 7.000 ^{+0.000} / _{-0.003} | 7.002 ^{+0.006} / _{+0.000} | 8.250 ^{+0.009} / _{+0.000} | 7.000 ^{+0.000} / _{-0.009} | 8.248 ^{+0.000} / _{-0.003} | 8.250 ^{+0.006} / _{+0.000} | 75.50 |
| U62-7.25 | 7-1/4 | 8-1/2 | 5/8 | .688 ^{+0.015} / _{+0.000} | 7.250 ^{+0.000} / _{-0.003} | 7.252 ^{+0.006} / _{+0.000} | 8.500 ^{+0.009} / _{+0.000} | 7.250 ^{+0.000} / _{-0.009} | 8.498 ^{+0.000} / _{-0.003} | 8.500 ^{+0.006} / _{+0.000} | 71.96 |
| U62-8.00 | 8 | 9-1/4 | 5/8 | .688 ^{+0.015} / _{+0.000} | 8.000 ^{+0.000} / _{-0.003} | 8.002 ^{+0.006} / _{+0.000} | 9.250 ^{+0.009} / _{+0.000} | 8.000 ^{+0.000} / _{-0.009} | 9.248 ^{+0.000} / _{-0.003} | 9.250 ^{+0.006} / _{+0.000} | 77.49 |
| U62-8.50 | 8-1/2 | 9-3/4 | 5/8 | .688 ^{+0.015} / _{+0.000} | 8.500 ^{+0.000} / _{-0.003} | 8.502 ^{+0.006} / _{+0.000} | 9.750 ^{+0.009} / _{+0.000} | 8.500 ^{+0.000} / _{-0.009} | 9.748 ^{+0.000} / _{-0.003} | 9.750 ^{+0.006} / _{+0.000} | 88.09 |
| U62-8.75 | 8-3/4 | 10 | 5/8 | .688 ^{+0.015} / _{+0.000} | 8.750 ^{+0.000} / _{-0.003} | 8.752 ^{+0.006} / _{+0.000} | 10.000 ^{+0.009} / _{+0.000} | 8.750 ^{+0.000} / _{-0.009} | 9.998 ^{+0.000} / _{-0.003} | 10.000 ^{+0.006} / _{+0.000} | 93.43 |
| U62-9.00 | 9 | 10-1/4 | 5/8 | .688 ^{+0.015} / _{+0.000} | 9.000 ^{+0.000} / _{-0.003} | 9.002 ^{+0.006} / _{+0.000} | 10.250 ^{+0.009} / _{+0.000} | 9.000 ^{+0.000} / _{-0.009} | 10.248 ^{+0.000} / _{-0.003} | 10.250 ^{+0.006} / _{+0.000} | 98.99 |
| U62-9.50 | 9-1/2 | 10-3/4 | 5/8 | .688 ^{+0.015} / _{+0.000} | 9.500 ^{+0.000} / _{-0.003} | 9.502 ^{+0.006} / _{+0.000} | 10.750 ^{+0.009} / _{+0.000} | 9.500 ^{+0.000} / _{-0.009} | 10.748 ^{+0.000} / _{-0.003} | 10.750 ^{+0.006} / _{+0.000} | 121.45 |
| U62-9.75 | 9-3/4 | 11 | 5/8 | .688 ^{+0.015} / _{+0.000} | 9.750 ^{+0.000} / _{-0.003} | 9.752 ^{+0.006} / _{+0.000} | 11.000 ^{+0.009} / _{+0.000} | 9.750 ^{+0.000} / _{-0.009} | 10.998 ^{+0.000} / _{-0.003} | 11.000 ^{+0.006} / _{+0.000} | 104.52 |
| U62-10.00-100B | 10 | 11-1/4 | 1 | 1.100 ^{+0.015} / _{+0.000} | 10.000 ^{+0.000} / _{-0.003} | 10.002 ^{+0.006} / _{+0.000} | 11.250 ^{+0.009} / _{+0.000} | 10.000 ^{+0.000} / _{-0.009} | 11.248 ^{+0.000} / _{-0.003} | 11.250 ^{+0.006} / _{+0.000} | 138.50 |
| U62-12.00 | 12 | 13-1/4 | 5/8 | .688 ^{+0.015} / _{+0.000} | 12.000 ^{+0.000} / _{-0.003} | 12.002 ^{+0.006} / _{+0.000} | 13.250 ^{+0.009} / _{+0.000} | 12.000 ^{+0.000} / _{-0.009} | 13.248 ^{+0.000} / _{-0.003} | 13.250 ^{+0.006} / _{+0.000} | 136.82 |
| U62-14.00-100D | 14 | 15-1/4 | 1 | 1.100 ^{+0.015} / _{+0.000} | 14.000 ^{+0.000} / _{-0.003} | 14.002 ^{+0.006} / _{+0.000} | 15.250 ^{+0.009} / _{+0.000} | 14.000 ^{+0.000} / _{-0.009} | 15.248 ^{+0.000} / _{-0.003} | 15.250 ^{+0.006} / _{+0.000} | 262.90 |
| U62-14.75-100B | 14-3/4 | 16 | 1 | 1.100 ^{+0.015} / _{+0.000} | 14.750 ^{+0.000} / _{-0.003} | 14.752 ^{+0.006} / _{+0.000} | 16.000 ^{+0.009} / _{+0.000} | 14.750 ^{+0.000} / _{-0.009} | 15.998 ^{+0.000} / _{-0.003} | 16.000 ^{+0.006} / _{+0.000} | 283.33 |
| 3/4" C/S | | | | | | | | | | | |
| U75-3.50-SQB | 3-1/2 | 5 | 3/4 | .825 ^{+0.015} / _{+0.000} | 3.500 ^{+0.000} / _{-0.004} | 3.502 ^{+0.007} / _{+0.000} | 5.000 ^{+0.011} / _{+0.000} | 3.500 ^{+0.000} / _{-0.010} | 4.998 ^{+0.000} / _{-0.004} | 5.000 ^{+0.007} / _{+0.000} | \$50.41 |

NORTH AMERICA
PHONE 1-800-777-5617
FAX 1-800-759-6391

SALES OFFICE HOURS
8 A.M. TO 7:30 P.M. EASTERN TIME
www.HerculesUS.com

WORLDWIDE
PHONE 1-727-796-1300
FAX 1-727-797-8849



STYLE 800 POLYURETHANE U-SEALS

| Part Number | A Nom. ID | B Nom. OD | C Nom. Ht | D GROOVE WIDTH | E ROD DIAMETER | F THROAT DIAMETER | G HOUSING DIAMETER | H GROOVE DIAMETER | I PISTON DIAMETER | J BORE DIAMETER | List Price |
|-----------------|-----------|-----------|-----------|---|---|--|--|---|---|--|------------|
| U75-4.50 | 4-1/2 | 6 | 3/4 | .825 ^{+0.015} / _{+0.000} | 4.500 ^{+0.000} / _{-.004} | 4.502 ^{+0.007} / _{+0.000} | 6.000 ^{+0.011} / _{+0.000} | 4.500 ^{+0.000} / _{-.010} | 5.998 ^{+0.000} / _{-.004} | 6.000 ^{+0.007} / _{+0.000} | 55.17 |
| U75-6.00 | 6 | 7-1/2 | 3/4 | .825 ^{+0.015} / _{+0.000} | 6.000 ^{+0.000} / _{-.004} | 6.002 ^{+0.007} / _{+0.000} | 7.500 ^{+0.011} / _{+0.000} | 6.000 ^{+0.000} / _{-.010} | 7.498 ^{+0.000} / _{-.004} | 7.500 ^{+0.007} / _{+0.000} | 64.79 |
| U75-6.50 | 6-1/2 | 8 | 3/4 | .825 ^{+0.015} / _{+0.000} | 6.500 ^{+0.000} / _{-.004} | 6.502 ^{+0.007} / _{+0.000} | 8.000 ^{+0.011} / _{+0.000} | 6.500 ^{+0.000} / _{-.010} | 7.998 ^{+0.000} / _{-.004} | 8.000 ^{+0.007} / _{+0.000} | 71.25 |
| U75-7.00 | 7 | 8-1/2 | 3/4 | .825 ^{+0.015} / _{+0.000} | 7.000 ^{+0.000} / _{-.004} | 7.002 ^{+0.007} / _{+0.000} | 8.500 ^{+0.011} / _{+0.000} | 7.000 ^{+0.000} / _{-.010} | 8.498 ^{+0.000} / _{-.004} | 8.500 ^{+0.007} / _{+0.000} | 76.92 |
| U75-8.00 | 8 | 9-1/2 | 3/4 | .825 ^{+0.015} / _{+0.000} | 8.000 ^{+0.000} / _{-.004} | 8.002 ^{+0.007} / _{+0.000} | 9.500 ^{+0.011} / _{+0.000} | 8.000 ^{+0.000} / _{-.010} | 9.498 ^{+0.000} / _{-.004} | 9.500 ^{+0.007} / _{+0.000} | 88.71 |
| U75-9.50 | 9-1/2 | 11 | 3/4 | .825 ^{+0.015} / _{+0.000} | 9.500 ^{+0.000} / _{-.004} | 9.502 ^{+0.007} / _{+0.000} | 11.000 ^{+0.011} / _{+0.000} | 9.500 ^{+0.000} / _{-.010} | 10.998 ^{+0.000} / _{-.004} | 11.000 ^{+0.007} / _{+0.000} | 116.84 |
| U75-10.00 | 10 | 11-1/2 | 3/4 | .825 ^{+0.015} / _{+0.000} | 10.000 ^{+0.000} / _{-.004} | 10.002 ^{+0.006} / _{+0.000} | 11.500 ^{+0.011} / _{+0.000} | 10.000 ^{+0.000} / _{-.010} | 11.498 ^{+0.000} / _{-.003} | 11.500 ^{+0.007} / _{+0.000} | 142.28 |
| U75-10.50 | 10-1/2 | 12 | 3/4 | .825 ^{+0.015} / _{+0.000} | 10.500 ^{+0.000} / _{-.004} | 10.502 ^{+0.006} / _{+0.000} | 12.000 ^{+0.011} / _{+0.000} | 10.500 ^{+0.000} / _{-.010} | 11.998 ^{+0.000} / _{-.003} | 12.000 ^{+0.007} / _{+0.000} | 123.97 |
| U75-11.00 | 11 | 12-1/2 | 3/4 | .825 ^{+0.015} / _{+0.000} | 11.000 ^{+0.000} / _{-.004} | 11.002 ^{+0.006} / _{+0.000} | 12.500 ^{+0.011} / _{+0.000} | 11.000 ^{+0.000} / _{-.010} | 12.498 ^{+0.000} / _{-.003} | 12.500 ^{+0.007} / _{+0.000} | 135.74 |
| U75-12.50 | 12-1/2 | 14 | 3/4 | .825 ^{+0.015} / _{+0.000} | 12.500 ^{+0.000} / _{-.004} | 12.502 ^{+0.006} / _{+0.000} | 14.000 ^{+0.011} / _{+0.000} | 12.500 ^{+0.000} / _{-.010} | 13.998 ^{+0.000} / _{-.003} | 14.000 ^{+0.007} / _{+0.000} | 170.62 |
| U75-14.00 | 14 | 15-1/2 | 3/4 | .825 ^{+0.015} / _{+0.000} | 14.000 ^{+0.000} / _{-.004} | 14.002 ^{+0.006} / _{+0.000} | 15.500 ^{+0.011} / _{+0.000} | 14.000 ^{+0.000} / _{-.010} | 15.498 ^{+0.000} / _{-.003} | 15.500 ^{+0.007} / _{+0.000} | 205.51 |
| U75-14.50 | 14-1/2 | 16 | 3/4 | .825 ^{+0.015} / _{+0.000} | 14.500 ^{+0.000} / _{-.004} | 14.501 ^{+0.006} / _{+0.000} | 16.000 ^{+0.011} / _{+0.000} | 14.500 ^{+0.000} / _{-.010} | 15.999 ^{+0.000} / _{-.003} | 16.000 ^{+0.007} / _{+0.000} | 226.44 |
| 1" C/S | | | | | | | | | | | |
| U100-10.00 | 10 | 12 | 1 | 1.100 ^{+0.015} / _{+0.000} | 10.000 ^{+0.000} / _{-.005} | 10.002 ^{+0.007} / _{+0.000} | 12.000 ^{+0.015} / _{+0.000} | 10.000 ^{+0.000} / _{-.012} | 11.998 ^{+0.000} / _{-.004} | 12.000 ^{+0.009} / _{+0.000} | \$207.18 |
| U100-12.00-150D | 12 | 14 | 1-1/2 | 1.650 ^{+0.015} / _{+0.000} | 12.000 ^{+0.000} / _{-.005} | 12.002 ^{+0.007} / _{+0.000} | 14.000 ^{+0.015} / _{+0.000} | 12.000 ^{+0.000} / _{-.012} | 13.998 ^{+0.000} / _{-.004} | 14.000 ^{+0.009} / _{+0.000} | 405.14 |
| U100-16.00 | 16 | 18 | 1 | 1.100 ^{+0.015} / _{+0.000} | 16.000 ^{+0.000} / _{-.005} | 16.002 ^{+0.007} / _{+0.000} | 18.000 ^{+0.015} / _{+0.000} | 16.000 ^{+0.000} / _{-.012} | 17.998 ^{+0.000} / _{-.004} | 18.000 ^{+0.009} / _{+0.000} | 444.18 |
| U100-18.00 | 18 | 20 | 1 | 1.100 ^{+0.015} / _{+0.000} | 18.000 ^{+0.000} / _{-.005} | 18.002 ^{+0.007} / _{+0.000} | 20.000 ^{+0.015} / _{+0.000} | 18.000 ^{+0.000} / _{-.012} | 19.998 ^{+0.000} / _{-.004} | 20.000 ^{+0.009} / _{+0.000} | 490.62 |

U-SEALS

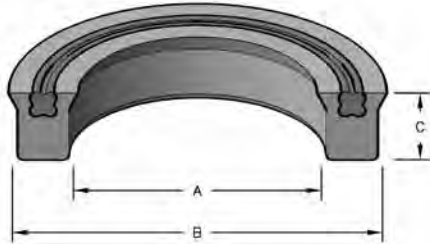
Seal color may vary. Special order sizes are available. Sizes not shown and out of stock items can also be ordered for next day delivery through Seals On Demand, our custom seal program. Please call your regional sales team for assistance.

**FORMERLY LISTED SEALS ARE AVAILABLE ONLINE AT WWW.HERCULESUS.COM
OR BY CONTACTING YOUR REGIONAL HERCULES SALES TEAM.**



STYLE 800 PM U-SEALS

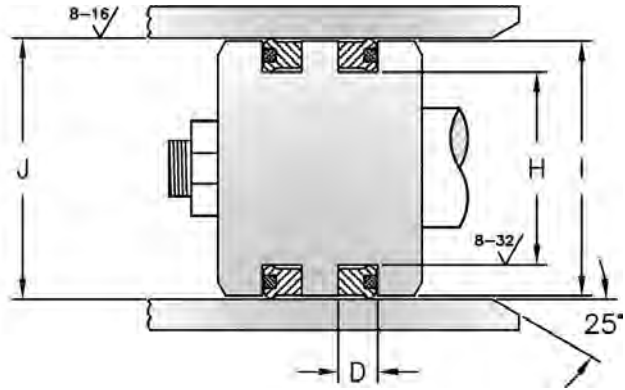
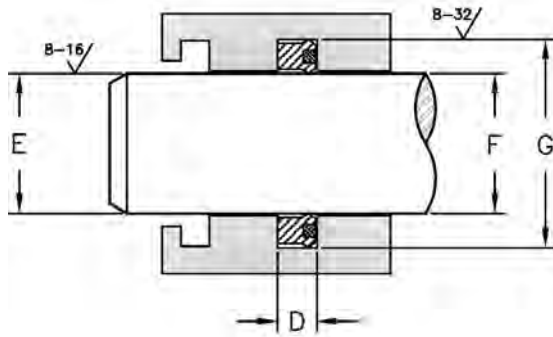
Our Style 800 orange Hytrel U-seals offer superior resistance to abrasion, extrusion, and heat. As a drop-in replacement for our standard Style 800 U-seals, they can prolong equipment life under today's increased demands. These seals are suitable for both petroleum-based and water-based fluids.



HERCULES PART NUMBERS

U 12 - 0.25 - 25 BPM
 Type of Seal Section Inside Diameter Height

| SEAL INFORMATION | |
|-------------------|----------------------------------|
| MATERIAL | 55D HYTREL SEAL FKM ENERGIZER |
| TEMPERATURE RANGE | -65° TO +275° F |
| PRESSURE RANGE | 0 TO 5,000 PSI |
| SPEED | 3 FT/SEC |



Standard -
 Height and cross section are equal, thus giving a square seal. Utilizes type "D" lip
 Typical Part Number U25-0.18PM



Deep -
 Utilizes the same "D" lip, but the seal height is greater than the cross section, thus giving a rectangular shape.
 Typical Part Number U25-2.00-37DPM



Type SQB -
 Same dimensions as the Standard seal. Beveled lip design provides better film breaking. Utilizes type "B" lip.
 Typical Part Number U25-2.50-SQBPM



Type B -
 Same dimensions as the Deep seal. Beveled lip design provides better film breaking. Utilizes type "B" lip.
 Typical Part Number U25-2.25-37BPM

| Part Number | A Nom. ID | B Nom. OD | C Nom. Ht | D GROOVE WIDTH | E ROD DIAMETER | F THROAT DIAMETER | G HOUSING DIAMETER | H GROOVE DIAMETER | I PISTON DIAMETER | J BORE DIAMETER | List Price |
|-----------------|-----------|-----------|-----------|----------------------|----------------------|----------------------|-----------------------|----------------------|-----------------------|-----------------------|------------|
| 1/8" C/S | | | | | | | | | | | |
| U12-0.25-25BPM | 1/4 | 1/2 | 1/4 | .275 +.015 +0.000 | .250 +.000 -0.001 | .251 +.002 +0.000 | .500 +.002 +0.000 | .250 +.000 -0.002 | .499 +.000 -0.001 | .500 +.002 +0.000 | \$ 7.63 |
| U12-0.31-SQBPM | 5/16 | 9/16 | 1/8 | .138 +.015 +0.000 | .312 +.000 -0.001 | .313 +.002 +0.000 | .563 +.002 +0.000 | .312 +.000 -0.002 | .562 +.000 -0.001 | .563 +.002 +0.000 | 7.14 |
| U12-0.50-25BPM | 1/2 | 3/4 | 1/4 | .275 +.015 +0.000 | .500 +.000 -0.001 | .501 +.002 +0.000 | .750 +.002 +0.000 | .500 +.000 -0.002 | .749 +.000 -0.001 | .750 +.002 +0.000 | 8.27 |
| U12-0.75-SQBPM | 3/4 | 1 | 1/8 | .138 +.015 +0.000 | .750 +.000 -0.001 | .751 +.002 +0.000 | 1.000 +.002 +0.000 | .750 +.000 -0.002 | .999 +.000 -0.001 | 1.000 +.002 +0.000 | 7.63 |
| U12-0.75-25BPM | 3/4 | 1 | 1/4 | .275 +.015 +0.000 | .750 +.000 -0.001 | .751 +.002 +0.000 | 1.000 +.002 +0.000 | .750 +.000 -0.002 | .999 +.000 -0.001 | 1.000 +.002 +0.000 | 8.92 |
| U12-0.87-25BPM | 7/8 | 1-1/8 | 1/4 | .275 +.015 +0.000 | .875 +.000 -0.001 | .876 +.002 +0.000 | 1.125 +.002 +0.000 | .875 +.000 -0.002 | 1.124 +.000 -0.001 | 1.125 +.002 +0.000 | 9.31 |

NORTH AMERICA
 PHONE 1-800-777-5617
 FAX 1-800-759-6391

SALES OFFICE HOURS
 8 A.M. TO 7:30 P.M. EASTERN TIME
 www.HerculesUS.com

WORLDWIDE
 PHONE 1-727-796-1300
 FAX 1-727-797-8849

STYLE 800 PM U-SEALS

| Part Number | A Nom. ID | B Nom. OD | C Nom. Ht | D GROOVE WIDTH | E ROD DIAMETER | F THROAT DIAMETER | G HOUSING DIAMETER | H GROOVE DIAMETER | I PISTON DIAMETER | J BORE DIAMETER | List Price |
|------------------|-----------|-----------|-----------|--|---|---|---|---|---|---|------------|
| U12-1.00-SQBPM | 1 | 1-1/4 | 1/8 | .138 ⁺⁰¹⁵ / ₊₀₀₀ | 1.000 ⁺⁰⁰⁰ / ₋₀₀₁ | 1.001 ⁺⁰⁰² / ₊₀₀₀ | 1.250 ⁺⁰⁰² / ₊₀₀₀ | 1.000 ⁺⁰⁰⁰ / ₋₀₀₂ | 1.249 ⁺⁰⁰⁰ / ₋₀₀₁ | 1.250 ⁺⁰⁰² / ₊₀₀₀ | 8.27 |
| U12-1.12-SQBPM | 1-1/8 | 1-3/8 | 1/8 | .138 ⁺⁰¹⁵ / ₊₀₀₀ | 1.125 ⁺⁰⁰⁰ / ₋₀₀₁ | 1.126 ⁺⁰⁰² / ₊₀₀₀ | 1.375 ⁺⁰⁰² / ₊₀₀₀ | 1.125 ⁺⁰⁰⁰ / ₋₀₀₂ | 1.374 ⁺⁰⁰⁰ / ₋₀₀₁ | 1.375 ⁺⁰⁰² / ₊₀₀₀ | 8.58 |
| U12-1.25-25BPM | 1-1/4 | 1-1/2 | 1/4 | .275 ⁺⁰¹⁵ / ₊₀₀₀ | 1.250 ⁺⁰⁰⁰ / ₋₀₀₁ | 1.251 ⁺⁰⁰² / ₊₀₀₀ | 1.500 ⁺⁰⁰² / ₊₀₀₀ | 1.250 ⁺⁰⁰⁰ / ₋₀₀₂ | 1.499 ⁺⁰⁰⁰ / ₋₀₀₁ | 1.500 ⁺⁰⁰² / ₊₀₀₀ | 10.44 |
| U12-1.37-SQBPM | 1-3/8 | 1-5/8 | 1/8 | .138 ⁺⁰¹⁵ / ₊₀₀₀ | 1.375 ⁺⁰⁰⁰ / ₋₀₀₁ | 1.376 ⁺⁰⁰² / ₊₀₀₀ | 1.625 ⁺⁰⁰² / ₊₀₀₀ | 1.375 ⁺⁰⁰⁰ / ₋₀₀₂ | 1.624 ⁺⁰⁰⁰ / ₋₀₀₁ | 1.625 ⁺⁰⁰² / ₊₀₀₀ | 9.71 |
| U12-1.50-SQBPM | 1-1/2 | 1-3/4 | 1/8 | .138 ⁺⁰¹⁵ / ₊₀₀₀ | 1.500 ⁺⁰⁰⁰ / ₋₀₀₁ | 1.501 ⁺⁰⁰² / ₊₀₀₀ | 1.750 ⁺⁰⁰² / ₊₀₀₀ | 1.500 ⁺⁰⁰⁰ / ₋₀₀₂ | 1.749 ⁺⁰⁰⁰ / ₋₀₀₁ | 1.750 ⁺⁰⁰² / ₊₀₀₀ | 15.94 |
| U12-1.50-25BPM | 1-1/2 | 1-3/4 | 1/4 | .275 ⁺⁰¹⁵ / ₊₀₀₀ | 1.500 ⁺⁰⁰⁰ / ₋₀₀₁ | 1.501 ⁺⁰⁰² / ₊₀₀₀ | 1.750 ⁺⁰⁰² / ₊₀₀₀ | 1.500 ⁺⁰⁰⁰ / ₋₀₀₂ | 1.749 ⁺⁰⁰⁰ / ₋₀₀₁ | 1.750 ⁺⁰⁰² / ₊₀₀₀ | 11.48 |
| 3/16" C/S | | | | | | | | | | | |
| U18-0.75-SQBPM | 3/4 | 1-1/8 | 3/16 | .207 ⁺⁰¹⁵ / ₊₀₀₀ | .750 ⁺⁰⁰⁰ / ₋₀₀₂ | .751 ⁺⁰⁰² / ₊₀₀₀ | 1.125 ⁺⁰⁰² / ₊₀₀₀ | .750 ⁺⁰⁰⁰ / ₋₀₀₂ | 1.124 ⁺⁰⁰⁰ / ₋₀₀₂ | 1.125 ⁺⁰⁰² / ₊₀₀₀ | \$8.36 |
| U18-1.00-SQBPM | 1 | 1-3/8 | 3/16 | .207 ⁺⁰¹⁵ / ₊₀₀₀ | 1.000 ⁺⁰⁰⁰ / ₋₀₀₂ | 1.001 ⁺⁰⁰² / ₊₀₀₀ | 1.375 ⁺⁰⁰² / ₊₀₀₀ | 1.000 ⁺⁰⁰⁰ / ₋₀₀₂ | 1.374 ⁺⁰⁰⁰ / ₋₀₀₂ | 1.375 ⁺⁰⁰² / ₊₀₀₀ | 9.23 |
| U18-1.12-SQBPM | 1-1/8 | 1-1/2 | 3/16 | .207 ⁺⁰¹⁵ / ₊₀₀₀ | 1.125 ⁺⁰⁰⁰ / ₋₀₀₂ | 1.126 ⁺⁰⁰² / ₊₀₀₀ | 1.500 ⁺⁰⁰² / ₊₀₀₀ | 1.125 ⁺⁰⁰⁰ / ₋₀₀₂ | 1.499 ⁺⁰⁰⁰ / ₋₀₀₂ | 1.500 ⁺⁰⁰² / ₊₀₀₀ | 9.65 |
| U18-1.37-SQBPM | 1-3/8 | 1-3/4 | 3/16 | .207 ⁺⁰¹⁵ / ₊₀₀₀ | 1.375 ⁺⁰⁰⁰ / ₋₀₀₂ | 1.376 ⁺⁰⁰² / ₊₀₀₀ | 1.750 ⁺⁰⁰² / ₊₀₀₀ | 1.375 ⁺⁰⁰⁰ / ₋₀₀₂ | 1.749 ⁺⁰⁰⁰ / ₋₀₀₂ | 1.750 ⁺⁰⁰² / ₊₀₀₀ | 10.44 |
| U18-1.37-31BPM | 1-3/8 | 1-3/4 | 5/16 | .344 ⁺⁰¹⁵ / ₊₀₀₀ | 1.375 ⁺⁰⁰⁰ / ₋₀₀₂ | 1.376 ⁺⁰⁰² / ₊₀₀₀ | 1.750 ⁺⁰⁰² / ₊₀₀₀ | 1.375 ⁺⁰⁰⁰ / ₋₀₀₂ | 1.749 ⁺⁰⁰⁰ / ₋₀₀₂ | 1.750 ⁺⁰⁰² / ₊₀₀₀ | 26.11 |
| U18-1.50-SQBPM | 1-1/2 | 1-7/8 | 3/16 | .207 ⁺⁰¹⁵ / ₊₀₀₀ | 1.500 ⁺⁰⁰⁰ / ₋₀₀₂ | 1.501 ⁺⁰⁰² / ₊₀₀₀ | 1.875 ⁺⁰⁰² / ₊₀₀₀ | 1.500 ⁺⁰⁰⁰ / ₋₀₀₂ | 1.874 ⁺⁰⁰⁰ / ₋₀₀₂ | 1.875 ⁺⁰⁰² / ₊₀₀₀ | 10.69 |
| U18-1.62-37BPM | 1-5/8 | 2 | 3/8 | .413 ⁺⁰¹⁵ / ₊₀₀₀ | 1.625 ⁺⁰⁰⁰ / ₋₀₀₂ | 1.626 ⁺⁰⁰² / ₊₀₀₀ | 2.000 ⁺⁰⁰² / ₊₀₀₀ | 1.625 ⁺⁰⁰⁰ / ₋₀₀₂ | 1.999 ⁺⁰⁰⁰ / ₋₀₀₂ | 2.000 ⁺⁰⁰² / ₊₀₀₀ | 28.39 |
| U18-1.75-SQBPM | 1-3/4 | 2-1/8 | 3/16 | .207 ⁺⁰¹⁵ / ₊₀₀₀ | 1.750 ⁺⁰⁰⁰ / ₋₀₀₂ | 1.751 ⁺⁰⁰² / ₊₀₀₀ | 2.125 ⁺⁰⁰² / ₊₀₀₀ | 1.750 ⁺⁰⁰⁰ / ₋₀₀₂ | 2.124 ⁺⁰⁰⁰ / ₋₀₀₂ | 2.125 ⁺⁰⁰² / ₊₀₀₀ | 11.89 |
| U18-1.75-31BPM | 1-3/4 | 2-1/8 | 5/16 | .344 ⁺⁰¹⁵ / ₊₀₀₀ | 1.750 ⁺⁰⁰⁰ / ₋₀₀₂ | 1.751 ⁺⁰⁰² / ₊₀₀₀ | 2.125 ⁺⁰⁰² / ₊₀₀₀ | 1.750 ⁺⁰⁰⁰ / ₋₀₀₂ | 2.124 ⁺⁰⁰⁰ / ₋₀₀₂ | 2.125 ⁺⁰⁰² / ₊₀₀₀ | 14.05 |
| U18-1.75-37BPM | 1-3/4 | 2-1/8 | 3/8 | .413 ⁺⁰¹⁵ / ₊₀₀₀ | 1.750 ⁺⁰⁰⁰ / ₋₀₀₂ | 1.751 ⁺⁰⁰² / ₊₀₀₀ | 2.125 ⁺⁰⁰² / ₊₀₀₀ | 1.750 ⁺⁰⁰⁰ / ₋₀₀₂ | 2.124 ⁺⁰⁰⁰ / ₋₀₀₂ | 2.125 ⁺⁰⁰² / ₊₀₀₀ | 17.48 |
| U18-1.87-SQBPM | 1-7/8 | 2-1/4 | 3/16 | .207 ⁺⁰¹⁵ / ₊₀₀₀ | 1.875 ⁺⁰⁰⁰ / ₋₀₀₂ | 1.876 ⁺⁰⁰² / ₊₀₀₀ | 2.250 ⁺⁰⁰² / ₊₀₀₀ | 1.875 ⁺⁰⁰⁰ / ₋₀₀₂ | 2.249 ⁺⁰⁰⁰ / ₋₀₀₂ | 2.250 ⁺⁰⁰² / ₊₀₀₀ | 14.64 |
| U18-1.87-37BPM | 1-7/8 | 2-1/4 | 3/8 | .413 ⁺⁰¹⁵ / ₊₀₀₀ | 1.875 ⁺⁰⁰⁰ / ₋₀₀₂ | 1.876 ⁺⁰⁰² / ₊₀₀₀ | 2.250 ⁺⁰⁰² / ₊₀₀₀ | 1.875 ⁺⁰⁰⁰ / ₋₀₀₂ | 2.249 ⁺⁰⁰⁰ / ₋₀₀₂ | 2.250 ⁺⁰⁰² / ₊₀₀₀ | 14.13 |
| U18-2.00-SQBPM | 2 | 2-3/8 | 3/16 | .207 ⁺⁰¹⁵ / ₊₀₀₀ | 2.000 ⁺⁰⁰⁰ / ₋₀₀₂ | 2.001 ⁺⁰⁰² / ₊₀₀₀ | 2.375 ⁺⁰⁰² / ₊₀₀₀ | 2.000 ⁺⁰⁰⁰ / ₋₀₀₂ | 2.374 ⁺⁰⁰⁰ / ₋₀₀₂ | 2.375 ⁺⁰⁰² / ₊₀₀₀ | 11.88 |
| U18-2.00-37BPM | 2 | 2-3/8 | 3/8 | .413 ⁺⁰¹⁵ / ₊₀₀₀ | 2.000 ⁺⁰⁰⁰ / ₋₀₀₂ | 2.001 ⁺⁰⁰² / ₊₀₀₀ | 2.375 ⁺⁰⁰² / ₊₀₀₀ | 2.000 ⁺⁰⁰⁰ / ₋₀₀₂ | 2.374 ⁺⁰⁰⁰ / ₋₀₀₂ | 2.375 ⁺⁰⁰² / ₊₀₀₀ | 15.15 |
| U18-2.25-SQBPM | 2-1/4 | 2-5/8 | 3/16 | .207 ⁺⁰¹⁵ / ₊₀₀₀ | 2.250 ⁺⁰⁰⁰ / ₋₀₀₂ | 2.251 ⁺⁰⁰² / ₊₀₀₀ | 2.625 ⁺⁰⁰² / ₊₀₀₀ | 2.250 ⁺⁰⁰⁰ / ₋₀₀₂ | 2.624 ⁺⁰⁰⁰ / ₋₀₀₂ | 2.625 ⁺⁰⁰² / ₊₀₀₀ | 14.77 |
| U18-3.12-SQBPM | 3-1/8 | 3-1/2 | 3/16 | .207 ⁺⁰¹⁵ / ₊₀₀₀ | 3.125 ⁺⁰⁰⁰ / ₋₀₀₂ | 3.126 ⁺⁰⁰² / ₊₀₀₀ | 3.500 ⁺⁰⁰² / ₊₀₀₀ | 3.125 ⁺⁰⁰⁰ / ₋₀₀₂ | 3.499 ⁺⁰⁰⁰ / ₋₀₀₂ | 3.500 ⁺⁰⁰² / ₊₀₀₀ | 16.72 |
| 1/4" C/S | | | | | | | | | | | |
| U25-1.00-37BPM | 1 | 1-1/2 | 3/8 | .413 ⁺⁰¹⁵ / ₊₀₀₀ | 1.000 ⁺⁰⁰⁰ / ₋₀₀₂ | 1.001 ⁺⁰⁰³ / ₊₀₀₀ | 1.500 ⁺⁰⁰³ / ₊₀₀₀ | 1.000 ⁺⁰⁰⁰ / ₋₀₀₃ | 1.499 ⁺⁰⁰⁰ / ₋₀₀₂ | 1.500 ⁺⁰⁰³ / ₊₀₀₀ | \$12.03 |
| U25-1.18PM | 1-3/16 | 1-11/16 | 1/4 | .275 ⁺⁰¹⁵ / ₊₀₀₀ | 1.187 ⁺⁰⁰⁰ / ₋₀₀₂ | 1.188 ⁺⁰⁰³ / ₊₀₀₀ | 1.688 ⁺⁰⁰³ / ₊₀₀₀ | 1.187 ⁺⁰⁰⁰ / ₋₀₀₃ | 1.687 ⁺⁰⁰⁰ / ₋₀₀₂ | 1.688 ⁺⁰⁰³ / ₊₀₀₀ | 11.65 |
| U25-1.50-SQBPM | 1-1/2 | 2 | 1/4 | .275 ⁺⁰¹⁵ / ₊₀₀₀ | 1.500 ⁺⁰⁰⁰ / ₋₀₀₂ | 1.501 ⁺⁰⁰³ / ₊₀₀₀ | 2.000 ⁺⁰⁰³ / ₊₀₀₀ | 1.500 ⁺⁰⁰⁰ / ₋₀₀₃ | 1.999 ⁺⁰⁰⁰ / ₋₀₀₂ | 2.000 ⁺⁰⁰³ / ₊₀₀₀ | 14.72 |
| U25-2.12-37BPM | 2-1/8 | 2-5/8 | 3/8 | .413 ⁺⁰¹⁵ / ₊₀₀₀ | 2.125 ⁺⁰⁰⁰ / ₋₀₀₂ | 2.126 ⁺⁰⁰³ / ₊₀₀₀ | 2.625 ⁺⁰⁰³ / ₊₀₀₀ | 2.125 ⁺⁰⁰⁰ / ₋₀₀₃ | 2.624 ⁺⁰⁰⁰ / ₋₀₀₂ | 2.625 ⁺⁰⁰³ / ₊₀₀₀ | 18.32 |
| U25-2.25PM | 2-1/4 | 2-3/4 | 1/4 | .275 ⁺⁰¹⁵ / ₊₀₀₀ | 2.250 ⁺⁰⁰⁰ / ₋₀₀₂ | 2.251 ⁺⁰⁰³ / ₊₀₀₀ | 2.750 ⁺⁰⁰³ / ₊₀₀₀ | 2.250 ⁺⁰⁰⁰ / ₋₀₀₃ | 2.749 ⁺⁰⁰⁰ / ₋₀₀₂ | 2.750 ⁺⁰⁰³ / ₊₀₀₀ | 18.15 |
| U25-2.37-37BPM | 2-3/8 | 2-7/8 | 3/8 | .413 ⁺⁰¹⁵ / ₊₀₀₀ | 2.375 ⁺⁰⁰⁰ / ₋₀₀₂ | 2.376 ⁺⁰⁰³ / ₊₀₀₀ | 2.875 ⁺⁰⁰³ / ₊₀₀₀ | 2.375 ⁺⁰⁰⁰ / ₋₀₀₃ | 2.874 ⁺⁰⁰⁰ / ₋₀₀₂ | 2.875 ⁺⁰⁰³ / ₊₀₀₀ | 20.23 |
| U25-2.50-SQBPM | 2-1/2 | 3 | 1/4 | .275 ⁺⁰¹⁵ / ₊₀₀₀ | 2.500 ⁺⁰⁰⁰ / ₋₀₀₂ | 2.501 ⁺⁰⁰³ / ₊₀₀₀ | 3.000 ⁺⁰⁰³ / ₊₀₀₀ | 2.500 ⁺⁰⁰⁰ / ₋₀₀₃ | 2.999 ⁺⁰⁰⁰ / ₋₀₀₂ | 3.000 ⁺⁰⁰³ / ₊₀₀₀ | 18.15 |
| U25-2.50PM | 2-1/2 | 3 | 1/4 | .275 ⁺⁰¹⁵ / ₊₀₀₀ | 2.500 ⁺⁰⁰⁰ / ₋₀₀₂ | 2.501 ⁺⁰⁰³ / ₊₀₀₀ | 3.000 ⁺⁰⁰³ / ₊₀₀₀ | 2.500 ⁺⁰⁰⁰ / ₋₀₀₃ | 2.999 ⁺⁰⁰⁰ / ₋₀₀₂ | 3.000 ⁺⁰⁰³ / ₊₀₀₀ | 18.15 |
| U25-3.00-SQBPM | 3 | 3-1/2 | 1/4 | .275 ⁺⁰¹⁵ / ₊₀₀₀ | 3.000 ⁺⁰⁰⁰ / ₋₀₀₂ | 3.001 ⁺⁰⁰³ / ₊₀₀₀ | 3.500 ⁺⁰⁰³ / ₊₀₀₀ | 3.000 ⁺⁰⁰⁰ / ₋₀₀₃ | 3.499 ⁺⁰⁰⁰ / ₋₀₀₂ | 3.500 ⁺⁰⁰³ / ₊₀₀₀ | 21.13 |

U-SEALS



STYLE 800 PM U-SEALS

U-SEALS

| Part Number | A Nom. ID | B Nom. OD | C Nom. Ht | D GROOVE WIDTH | E ROD DIAMETER | F THROAT DIAMETER | G HOUSING DIAMETER | H GROOVE DIAMETER | I PISTON DIAMETER | J BORE DIAMETER | List Price |
|------------------|-----------|-----------|-----------|--|---|---|---|---|---|---|------------|
| U25-3.00PM | 3 | 3-1/2 | 1/4 | .275 ^{+0.015} / _{+0.000} | 3.000 ^{+0.000} / _{-0.002} | 3.001 ^{+0.003} / _{+0.000} | 3.500 ^{+0.003} / _{+0.000} | 3.000 ^{+0.000} / _{-0.003} | 3.499 ^{+0.000} / _{-0.002} | 3.500 ^{+0.003} / _{+0.000} | 47.39 |
| U25-3.25-37BPM | 3-1/4 | 3-3/4 | 3/8 | .413 ^{+0.015} / _{+0.000} | 3.250 ^{+0.000} / _{-0.002} | 3.251 ^{+0.003} / _{+0.000} | 3.750 ^{+0.003} / _{+0.000} | 3.250 ^{+0.000} / _{-0.003} | 3.749 ^{+0.000} / _{-0.002} | 3.750 ^{+0.003} / _{+0.000} | 25.55 |
| U25-3.50PM | 3-1/2 | 4 | 1/4 | .275 ^{+0.015} / _{+0.000} | 3.500 ^{+0.000} / _{-0.002} | 3.501 ^{+0.003} / _{+0.000} | 4.000 ^{+0.003} / _{+0.000} | 3.500 ^{+0.000} / _{-0.003} | 3.999 ^{+0.000} / _{-0.002} | 4.000 ^{+0.003} / _{+0.000} | 57.06 |
| U25-5.00PM | 5 | 5-1/2 | 1/4 | .275 ^{+0.015} / _{+0.000} | 5.000 ^{+0.000} / _{-0.002} | 5.001 ^{+0.003} / _{+0.000} | 5.500 ^{+0.003} / _{+0.000} | 5.000 ^{+0.000} / _{-0.003} | 5.499 ^{+0.000} / _{-0.002} | 5.500 ^{+0.003} / _{+0.000} | 33.40 |
| U25-5.50PM | 5-1/2 | 6 | 1/4 | .275 ^{+0.015} / _{+0.000} | 5.500 ^{+0.000} / _{-0.002} | 5.501 ^{+0.003} / _{+0.000} | 6.000 ^{+0.003} / _{+0.000} | 5.500 ^{+0.000} / _{-0.003} | 5.999 ^{+0.000} / _{-0.002} | 6.000 ^{+0.003} / _{+0.000} | 36.45 |
| 5/16" C/S | | | | | | | | | | | |
| U31-1.50-37BPM | 1-1/2 | 2-1/8 | 3/8 | .413 ^{+0.015} / _{+0.000} | 1.500 ^{+0.000} / _{-0.002} | 1.502 ^{+0.003} / _{+0.000} | 2.125 ^{+0.004} / _{+0.000} | 1.500 ^{+0.000} / _{-0.004} | 2.123 ^{+0.000} / _{-0.002} | 2.125 ^{+0.003} / _{+0.000} | \$20.70 |
| U31-2.50-50BPM | 2-1/2 | 3-1/8 | 1/2 | .550 ^{+0.015} / _{+0.000} | 2.500 ^{+0.000} / _{-0.002} | 2.502 ^{+0.003} / _{+0.000} | 3.125 ^{+0.004} / _{+0.000} | 2.500 ^{+0.000} / _{-0.004} | 3.123 ^{+0.000} / _{-0.002} | 3.125 ^{+0.003} / _{+0.000} | 23.61 |
| U31-3.00-50BPM | 3 | 3-5/8 | 1/2 | .550 ^{+0.015} / _{+0.000} | 3.000 ^{+0.000} / _{-0.002} | 3.002 ^{+0.003} / _{+0.000} | 3.625 ^{+0.004} / _{+0.000} | 3.000 ^{+0.000} / _{-0.004} | 3.623 ^{+0.000} / _{-0.002} | 3.625 ^{+0.003} / _{+0.000} | 27.63 |
| 3/8" C/S | | | | | | | | | | | |
| U37-2.50-50BPM | 2-1/2 | 3-1/4 | 1/2 | .550 ^{+0.015} / _{+0.000} | 2.500 ^{+0.000} / _{-0.002} | 2.502 ^{+0.004} / _{+0.000} | 3.250 ^{+0.005} / _{+0.000} | 2.500 ^{+0.000} / _{-0.005} | 3.248 ^{+0.000} / _{-0.002} | 3.250 ^{+0.004} / _{+0.000} | \$32.67 |
| U37-2.75PM | 2-3/4 | 3-1/2 | 3/8 | .413 ^{+0.015} / _{+0.000} | 2.750 ^{+0.000} / _{-0.002} | 2.752 ^{+0.004} / _{+0.000} | 3.500 ^{+0.005} / _{+0.000} | 2.750 ^{+0.000} / _{-0.005} | 3.498 ^{+0.000} / _{-0.002} | 3.500 ^{+0.004} / _{+0.000} | 32.37 |
| U37-3.25PM | 3-1/4 | 4 | 3/8 | .413 ^{+0.015} / _{+0.000} | 3.250 ^{+0.000} / _{-0.002} | 3.252 ^{+0.004} / _{+0.000} | 4.000 ^{+0.005} / _{+0.000} | 3.250 ^{+0.000} / _{-0.005} | 3.998 ^{+0.000} / _{-0.002} | 4.000 ^{+0.004} / _{+0.000} | 37.34 |
| U37-3.50-62BPM | 3-1/2 | 4-1/4 | 5/8 | .688 ^{+0.015} / _{+0.000} | 3.500 ^{+0.000} / _{-0.002} | 3.502 ^{+0.004} / _{+0.000} | 4.250 ^{+0.005} / _{+0.000} | 3.500 ^{+0.000} / _{-0.005} | 4.248 ^{+0.000} / _{-0.002} | 4.250 ^{+0.004} / _{+0.000} | 77.00 |
| U37-4.00-62BPM | 4 | 4-3/4 | 5/8 | .688 ^{+0.015} / _{+0.000} | 4.000 ^{+0.000} / _{-0.002} | 4.002 ^{+0.004} / _{+0.000} | 4.750 ^{+0.005} / _{+0.000} | 4.000 ^{+0.000} / _{-0.005} | 4.748 ^{+0.000} / _{-0.002} | 4.750 ^{+0.004} / _{+0.000} | 49.95 |
| U37-4.25-50DPM | 4-1/4 | 5 | 1/2 | .550 ^{+0.015} / _{+0.000} | 4.250 ^{+0.000} / _{-0.002} | 4.252 ^{+0.004} / _{+0.000} | 5.000 ^{+0.005} / _{+0.000} | 4.250 ^{+0.000} / _{-0.005} | 4.998 ^{+0.000} / _{-0.002} | 5.000 ^{+0.004} / _{+0.000} | 60.93 |
| U37-4.50-62BPM | 4-1/2 | 5-1/4 | 5/8 | .688 ^{+0.015} / _{+0.000} | 4.500 ^{+0.000} / _{-0.002} | 4.502 ^{+0.004} / _{+0.000} | 5.250 ^{+0.005} / _{+0.000} | 4.500 ^{+0.000} / _{-0.005} | 5.248 ^{+0.000} / _{-0.002} | 5.250 ^{+0.004} / _{+0.000} | 54.76 |
| U37-5.00-62BPM | 5 | 5-3/4 | 5/8 | .688 ^{+0.015} / _{+0.000} | 5.000 ^{+0.000} / _{-0.002} | 5.002 ^{+0.004} / _{+0.000} | 5.750 ^{+0.005} / _{+0.000} | 5.000 ^{+0.000} / _{-0.005} | 5.748 ^{+0.000} / _{-0.002} | 5.750 ^{+0.004} / _{+0.000} | 60.07 |
| U37-5.25PM | 5-1/4 | 6 | 3/8 | .413 ^{+0.015} / _{+0.000} | 5.250 ^{+0.000} / _{-0.002} | 5.252 ^{+0.004} / _{+0.000} | 6.000 ^{+0.005} / _{+0.000} | 5.250 ^{+0.000} / _{-0.005} | 5.998 ^{+0.000} / _{-0.002} | 6.000 ^{+0.004} / _{+0.000} | 58.06 |
| U37-5.25-62BPM | 5-1/4 | 6 | 5/8 | .688 ^{+0.015} / _{+0.000} | 5.250 ^{+0.000} / _{-0.002} | 5.252 ^{+0.004} / _{+0.000} | 6.000 ^{+0.005} / _{+0.000} | 5.250 ^{+0.000} / _{-0.005} | 5.998 ^{+0.000} / _{-0.002} | 6.000 ^{+0.004} / _{+0.000} | 65.68 |
| U37-5.50-62BPM | 5-1/2 | 6-1/4 | 5/8 | .688 ^{+0.015} / _{+0.000} | 5.500 ^{+0.000} / _{-0.002} | 5.502 ^{+0.004} / _{+0.000} | 6.250 ^{+0.005} / _{+0.000} | 5.500 ^{+0.000} / _{-0.005} | 6.248 ^{+0.000} / _{-0.002} | 6.250 ^{+0.004} / _{+0.000} | 65.04 |
| U37-6.25PM | 6-1/4 | 7 | 3/8 | .413 ^{+0.015} / _{+0.000} | 6.250 ^{+0.000} / _{-0.002} | 6.252 ^{+0.004} / _{+0.000} | 7.000 ^{+0.005} / _{+0.000} | 6.250 ^{+0.000} / _{-0.005} | 6.998 ^{+0.000} / _{-0.002} | 7.000 ^{+0.004} / _{+0.000} | 66.08 |
| U37-6.25-62BPM | 6-1/4 | 7 | 5/8 | .688 ^{+0.015} / _{+0.000} | 6.250 ^{+0.000} / _{-0.002} | 6.252 ^{+0.004} / _{+0.000} | 7.000 ^{+0.005} / _{+0.000} | 6.250 ^{+0.000} / _{-0.005} | 6.998 ^{+0.000} / _{-0.002} | 7.000 ^{+0.004} / _{+0.000} | 80.21 |
| U37-7.25PM | 7-1/4 | 8 | 3/8 | .413 ^{+0.015} / _{+0.000} | 7.250 ^{+0.000} / _{-0.002} | 7.252 ^{+0.004} / _{+0.000} | 8.000 ^{+0.005} / _{+0.000} | 7.250 ^{+0.000} / _{-0.005} | 7.998 ^{+0.000} / _{-0.002} | 8.000 ^{+0.004} / _{+0.000} | 74.35 |

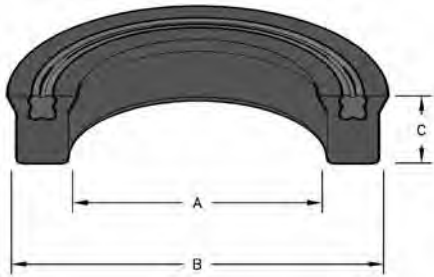
NORTH AMERICA
PHONE 1-800-777-5617
FAX 1-800-759-6391

SALES OFFICE HOURS
8 A.M. TO 7:30 P.M. EASTERN TIME
www.HerculesUS.com

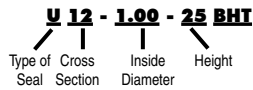
WORLDWIDE
PHONE 1-727-796-1300
FAX 1-727-797-8849

STYLE 800 HIGH TEMPERATURE POLYURETHANE U-SEALS

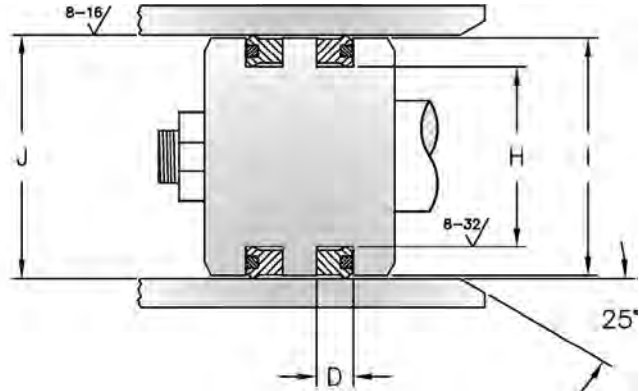
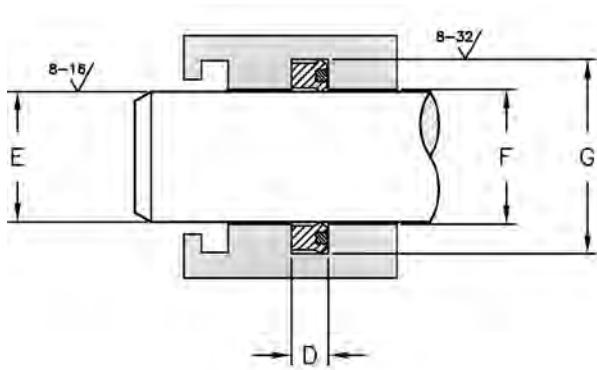
Style 800 U-seals are molded from tough, abrasion-resistant polyurethane. The four lobed expander ring energizes the sealing lips, even at zero pressure, to help prevent "weeping" when the system is idle.



HERCULES PART NUMBERS



| SEAL INFORMATION | |
|-------------------|-----------------|
| MATERIAL | 95A URETHANE |
| TEMPERATURE RANGE | -40° TO +250° F |
| PRESSURE RANGE | 0 TO 5,000 PSI |
| SPEED | 3 FT/SEC |



Standard -
Height and cross section are equal, thus giving a square seal. Utilizes type "D" lip
Typical Part Number U25-2.50



Deep -
Utilizes the same "D" lip, but the seal height is greater than the cross section, thus giving a rectangular shape.
Typical Part Number U25-2.50-37D



Type SQB -
Same dimensions as the Standard seal. Beveled lip design provides better film breaking. Utilizes type "B" lip.
Typical Part Number U25-2.50-SQB



Type B -
Same dimensions as the Deep seal. Beveled lip design provides better film breaking. Utilizes type "B" lip.
Typical Part Number U25-2.50-37B

| Part Number | A Nom. ID | B Nom. OD | C Nom. Ht | D GROOVE WIDTH | E ROD DIAMETER | F THROAT DIAMETER | G HOUSING DIAMETER | H GROOVE DIAMETER | I PISTON DIAMETER | J BORE DIAMETER | List Price |
|------------------|-----------|-----------|-----------|--|---|---|---|---|---|---|------------|
| 1/8" C/S | | | | | | | | | | | |
| U12-1.00-SQBHT | 1 | 1-1/4 | 1/8 | .138 ^{+0.015} / _{+0.000} | 1.000 ^{+0.000} / _{-0.001} | 1.001 ^{+0.002} / _{+0.000} | 1.250 ^{+0.002} / _{+0.000} | 1.000 ^{+0.000} / _{-0.002} | 1.249 ^{+0.000} / _{-0.001} | 1.250 ^{+0.002} / _{+0.000} | \$7.21 |
| U12-1.00-25BHT | 1 | 1-1/4 | 1/4 | .275 ^{+0.015} / _{+0.000} | 1.000 ^{+0.000} / _{-0.001} | 1.001 ^{+0.002} / _{+0.000} | 1.250 ^{+0.002} / _{+0.000} | 1.000 ^{+0.000} / _{-0.002} | 1.249 ^{+0.000} / _{-0.001} | 1.250 ^{+0.002} / _{+0.000} | 8.35 |
| U12-1.12-25BHT | 1-1/8 | 1-3/8 | 1/4 | .275 ^{+0.015} / _{+0.000} | 1.125 ^{+0.000} / _{-0.001} | 1.126 ^{+0.002} / _{+0.000} | 1.375 ^{+0.002} / _{+0.000} | 1.125 ^{+0.000} / _{-0.002} | 1.374 ^{+0.000} / _{-0.001} | 1.375 ^{+0.002} / _{+0.000} | 8.71 |
| U12-1.25-SQBHT | 1-1/4 | 1-1/2 | 1/8 | .138 ^{+0.015} / _{+0.000} | 1.250 ^{+0.000} / _{-0.001} | 1.251 ^{+0.002} / _{+0.000} | 1.500 ^{+0.002} / _{+0.000} | 1.250 ^{+0.000} / _{-0.002} | 1.499 ^{+0.000} / _{-0.001} | 1.500 ^{+0.002} / _{+0.000} | 13.80 |
| U12-1.25-25BHT | 1-1/4 | 1-1/2 | 1/4 | .275 ^{+0.015} / _{+0.000} | 1.250 ^{+0.000} / _{-0.001} | 1.251 ^{+0.002} / _{+0.000} | 1.500 ^{+0.002} / _{+0.000} | 1.250 ^{+0.000} / _{-0.002} | 1.499 ^{+0.000} / _{-0.001} | 1.500 ^{+0.002} / _{+0.000} | 9.07 |
| 3/16" C/S | | | | | | | | | | | |
| U18-0.87-31BHT | 7/8 | 1-1/4 | 5/16 | .344 ^{+0.015} / _{+0.000} | .875 ^{+0.000} / _{-0.002} | .876 ^{+0.002} / _{+0.000} | 1.250 ^{+0.002} / _{+0.000} | .875 ^{+0.000} / _{-0.002} | 1.249 ^{+0.000} / _{-0.001} | 1.250 ^{+0.002} / _{+0.000} | \$9.58 |
| U18-1.00-31BHT | 1 | 1-3/8 | 5/16 | .344 ^{+0.015} / _{+0.000} | 1.000 ^{+0.000} / _{-0.002} | 1.001 ^{+0.002} / _{+0.000} | 1.375 ^{+0.002} / _{+0.000} | 1.000 ^{+0.000} / _{-0.002} | 1.374 ^{+0.000} / _{-0.001} | 1.375 ^{+0.002} / _{+0.000} | 9.73 |
| U18-1.12-SQBHT | 1-1/8 | 1-1/2 | 3/16 | .207 ^{+0.015} / _{+0.000} | 1.125 ^{+0.000} / _{-0.002} | 1.126 ^{+0.002} / _{+0.000} | 1.500 ^{+0.002} / _{+0.000} | 1.125 ^{+0.000} / _{-0.002} | 1.499 ^{+0.000} / _{-0.001} | 1.500 ^{+0.002} / _{+0.000} | 8.41 |

FORMERLY LISTED SEALS ARE AVAILABLE ONLINE AT WWW.HERCULESUS.COM
OR BY CONTACTING YOUR REGIONAL HERCULES SALES TEAM.



STYLE 800 HIGH TEMPERATURE POLYURETHANE U-SEALS

U-SEALS

| Part Number | A Nom. ID | B Nom. OD | C Nom. Ht | D GROOVE WIDTH | E ROD DIAMETER | F THROAT DIAMETER | G HOUSING DIAMETER | H GROOVE DIAMETER | I PISTON DIAMETER | J BORE DIAMETER | List Price |
|-----------------|-----------------|-----------------|-----------------|------------------------|-------------------------|-------------------------|--------------------------|-------------------------|-------------------------|-------------------------|---------------|
| U18-1.25-SQBHT | 1-1/4 | 1-5/8 | 3/16 | .207 +.015 +.000 | 1.250 +.000 -.002 | 1.251 +.002 +.000 | 1.625 +.002 +.000 | 1.250 +.000 -.002 | 1.624 +.000 -.001 | 1.625 +.002 +.000 | 8.71 |
| U18-1.25-31BHT | 1-1/4 | 1-5/8 | 5/16 | .344 +.015 +.000 | 1.250 +.000 -.002 | 1.251 +.002 +.000 | 1.625 +.002 +.000 | 1.250 +.000 -.002 | 1.624 +.000 -.001 | 1.625 +.002 +.000 | 9.62 |
| U18-1.31-31BHT | 1-5/16 | 1-11/16 | 5/16 | .344 +.015 +.000 | 1.312 +.000 -.002 | 1.313 +.002 +.000 | 1.688 +.002 +.000 | 1.312 +.000 -.002 | 1.686 +.000 -.001 | 1.688 +.002 +.000 | 10.13 |
| U18-1.50-37BHT | 1-1/2 | 1-7/8 | 3/8 | .413 +.015 +.000 | 1.500 +.000 -.002 | 1.501 +.002 +.000 | 1.875 +.002 +.000 | 1.500 +.000 -.002 | 1.874 +.000 -.001 | 1.875 +.002 +.000 | 10.31 |
| U18-1.62-37BHT | 1-5/8 | 2 | 3/8 | .413 +.015 +.000 | 1.625 +.000 -.002 | 1.626 +.002 +.000 | 2.000 +.002 +.000 | 1.625 +.000 -.002 | 1.999 +.000 -.001 | 2.000 +.002 +.000 | 17.00 |
| U18-1.75-37BHT | 1-3/4 | 2-1/8 | 3/8 | .413 +.015 +.000 | 1.750 +.000 -.002 | 1.751 +.002 +.000 | 2.125 +.002 +.000 | 1.750 +.000 -.002 | 2.124 +.000 -.001 | 2.125 +.002 +.000 | 11.62 |
| U18-1.87-37BHT | 1-7/8 | 2-1/4 | 3/8 | .413 +.015 +.000 | 1.875 +.000 -.002 | 1.876 +.002 +.000 | 2.250 +.002 +.000 | 1.875 +.000 -.002 | 2.249 +.000 -.001 | 2.250 +.002 +.000 | 12.29 |
| 1/4" C/S | | | | | | | | | | | |
| U25-1.25-SQBHT | 1-1/4 | 1-3/4 | 1/4 | .275 +.015 +.000 | 1.250 +.000 -.002 | 1.251 +.003 +.000 | 1.750 +.003 +.000 | 1.250 +.000 -.003 | 1.749 +.000 -.002 | 1.750 +.003 +.000 | \$9.26 |
| U25-1.25-37BHT | 1-1/4 | 1-3/4 | 3/8 | .413 +.015 +.000 | 1.250 +.000 -.002 | 1.251 +.003 +.000 | 1.750 +.003 +.000 | 1.250 +.000 -.003 | 1.749 +.000 -.002 | 1.750 +.003 +.000 | 10.12 |
| U25-1.50-37BHT | 1-1/2 | 2 | 3/8 | .413 +.015 +.000 | 1.500 +.000 -.002 | 1.501 +.003 +.000 | 2.000 +.003 +.000 | 1.500 +.000 -.003 | 1.999 +.000 -.002 | 2.000 +.003 +.000 | 11.92 |
| U25-1.75-37BHT | 1-3/4 | 2-1/4 | 3/8 | .413 +.015 +.000 | 1.750 +.000 -.002 | 1.751 +.003 +.000 | 2.250 +.003 +.000 | 1.750 +.000 -.003 | 2.249 +.000 -.002 | 2.250 +.003 +.000 | 13.05 |
| U25-2.00-SQBHT | 2 | 2-1/2 | 1/4 | .275 +.015 +.000 | 2.000 +.000 -.002 | 2.001 +.003 +.000 | 2.500 +.003 +.000 | 2.000 +.000 -.003 | 2.499 +.000 -.002 | 2.500 +.003 +.000 | 13.08 |
| U25-2.00-37BHT | 2 | 2-1/2 | 3/8 | .413 +.015 +.000 | 2.000 +.000 -.002 | 2.001 +.003 +.000 | 2.500 +.003 +.000 | 2.000 +.000 -.003 | 2.499 +.000 -.002 | 2.500 +.003 +.000 | 14.17 |
| U25-2.25-37BHT | 2-1/4 | 2-3/4 | 3/8 | .413 +.015 +.000 | 2.250 +.000 -.002 | 2.251 +.002 +.000 | 2.750 +.003 +.000 | 2.250 +.000 -.003 | 2.749 +.000 -.001 | 2.750 +.003 +.000 | 15.95 |
| U25-2.50-37BHT | 2-1/2 | 3 | 3/8 | .413 +.015 +.000 | 2.500 +.000 -.002 | 2.501 +.003 +.000 | 3.000 +.003 +.000 | 2.500 +.000 -.003 | 2.999 +.000 -.002 | 3.000 +.003 +.000 | 17.55 |
| U25-2.62-37BHT | 2-5/8 | 3-1/8 | 3/8 | .413 +.015 +.000 | 2.625 +.000 -.002 | 2.626 +.003 +.000 | 3.125 +.003 +.000 | 2.625 +.000 -.003 | 3.124 +.000 -.002 | 3.125 +.003 +.000 | 18.92 |
| U25-3.00-SQBHT | 3 | 3-1/2 | 1/4 | .275 +.015 +.000 | 3.000 +.000 -.002 | 3.001 +.003 +.000 | 3.500 +.003 +.000 | 3.000 +.000 -.003 | 3.499 +.000 -.002 | 3.500 +.003 +.000 | 18.32 |
| U25-3.00-37BHT | 3 | 3-1/2 | 3/8 | .413 +.015 +.000 | 3.000 +.000 -.002 | 3.001 +.003 +.000 | 3.500 +.003 +.000 | 3.000 +.000 -.003 | 3.499 +.000 -.002 | 3.500 +.003 +.000 | 20.79 |
| U25-3.25-37BHT | 3-1/4 | 3-3/4 | 3/8 | .413 +.015 +.000 | 3.250 +.000 -.002 | 3.251 +.003 +.000 | 3.750 +.003 +.000 | 3.250 +.000 -.003 | 3.749 +.000 -.002 | 3.750 +.003 +.000 | 22.15 |
| U25-3.50-37BHT | 3-1/2 | 4 | 3/8 | .413 +.015 +.000 | 3.500 +.000 -.002 | 3.501 +.003 +.000 | 4.000 +.003 +.000 | 3.500 +.000 -.003 | 3.999 +.000 -.002 | 4.000 +.003 +.000 | 23.99 |
| U25-4.00-37BHT | 4 | 4-1/2 | 3/8 | .413 +.015 +.000 | 4.000 +.000 -.002 | 4.001 +.003 +.000 | 4.500 +.003 +.000 | 4.000 +.000 -.003 | 4.499 +.000 -.002 | 4.500 +.003 +.000 | 27.55 |

Seal color may vary. Special order sizes are available. Sizes not shown and out of stock items can also be ordered for next day delivery through Seals On Demand, our custom seal program. Please call your regional sales team for assistance.

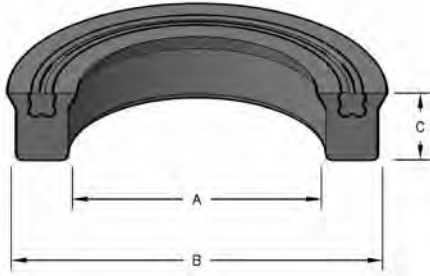
NORTH AMERICA
PHONE 1-800-777-5617
FAX 1-800-759-6391

SALES OFFICE HOURS
8 A.M. TO 7:30 P.M. EASTERN TIME
www.HerculesUS.com

WORLDWIDE
PHONE 1-727-796-1300
FAX 1-727-797-8849

STYLE 800 FLUOROCARBON U-SEALS

Utilizing the same profiles as the Style 800 Polyurethane U-Seal line, these u-seals are molded from a fluorocarbon compound. While being compatible with a broader range of fluids, these fluorocarbon seals will also operate continuously at temperatures from -20° to +400° F. **NOTE:** If you are not sure of fluid/seal compatibility, please refer to the fluid compatibility chart in the appendix or contact our Engineering Department.

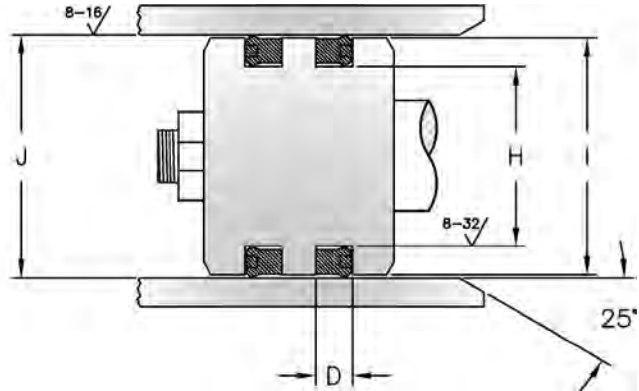
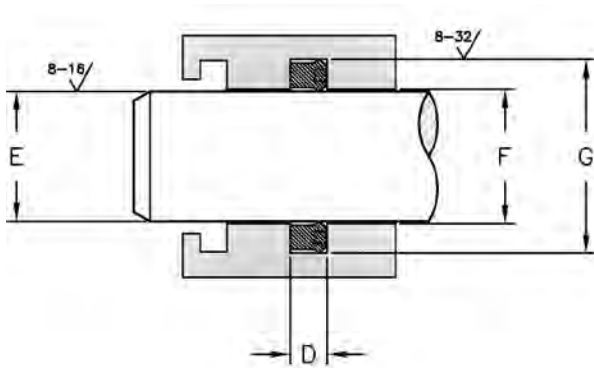


HERCULES PART NUMBERS

U 12 - 0.50 - 25BV
 Type of Seal | Cross Section | Inside Diameter | Height

V= FLUOROCARBON
 D= DEEP
 B= B-LIP

| SEAL INFORMATION | |
|-------------------|------------------|
| MATERIAL | 95A FLUOROCARBON |
| TEMPERATURE RANGE | -20° TO +400° F |
| PRESSURE RANGE | 0 TO 2,000 PSI |
| SPEED | 3 FT/SEC |



Standard -
 Height and cross section are equal, thus giving a square seal. Utilizes type "D" lip
 Typical Part Number U25-2.50



Deep -
 Utilizes the same "D" lip, but the seal height is greater than the cross section, thus giving a rectangular shape.
 Typical Part Number U25-2.50-37D



Type SQB -
 Same dimensions as the Standard seal. Beveled lip design provides better film breaking. Utilizes type "B" lip.
 Typical Part Number U25-2.50-SQB



Type B -
 Same dimensions as the Deep seal. Beveled lip design provides better film breaking. Utilizes type "B" lip.
 Typical Part Number U25-2.50-37B

| Part Number | A Nom. ID | B Nom. OD | C Nom. Ht | D GROOVE WIDTH | E ROD DIAMETER | F THROAT DIAMETER | G HOUSING DIAMETER | H GROOVE DIAMETER | I PISTON DIAMETER | J BORE DIAMETER | List Price |
|-----------------|-----------|-----------|-----------|---------------------|---------------------|---------------------|----------------------|---------------------|---------------------|----------------------|------------|
| 1/8" C/S | | | | | | | | | | | |
| U12-0.25V | 1/4 | 1/2 | 1/8 | .138 +.015 +.000 | .250 +.000 -.001 | .251 +.002 +.000 | .500 +.002 +.000 | .250 +.000 -.002 | .499 +.000 -.001 | .500 +.002 +.000 | \$ 16.17 |
| U12-0.31V | 5/16 | 9/16 | 1/8 | .138 +.015 +.000 | .312 +.000 -.001 | .313 +.002 +.000 | .563 +.002 +.000 | .312 +.000 -.002 | .562 +.000 -.001 | .563 +.002 +.000 | 16.17 |
| U12-0.37V | 3/8 | 5/8 | 1/8 | .138 +.015 +.000 | .375 +.000 -.001 | .376 +.002 +.000 | .625 +.002 +.000 | .375 +.000 -.002 | .624 +.000 -.001 | .625 +.002 +.000 | 16.17 |
| U12-0.50V | 1/2 | 3/4 | 1/8 | .138 +.015 +.000 | .500 +.000 -.001 | .501 +.002 +.000 | .750 +.002 +.000 | .500 +.000 -.002 | .749 +.000 -.001 | .750 +.002 +.000 | 16.17 |
| U12-0.50-25BV | 1/2 | 3/4 | 1/4 | .275 +.015 +.000 | .500 +.000 -.001 | .501 +.002 +.000 | .750 +.002 +.000 | .500 +.000 -.002 | .749 +.000 -.001 | .750 +.002 +.000 | 17.14 |
| U12-0.62V | 5/8 | 7/8 | 1/8 | .138 +.015 +.000 | .625 +.000 -.001 | .626 +.002 +.000 | .875 +.002 +.000 | .625 +.000 -.002 | .874 +.000 -.001 | .875 +.002 +.000 | 16.17 |
| U12-0.62-25BV | 5/8 | 7/8 | 1/4 | .275 +.015 +.000 | .625 +.000 -.001 | .626 +.002 +.000 | .875 +.002 +.000 | .625 +.000 -.002 | .874 +.000 -.001 | .875 +.002 +.000 | 17.78 |
| U12-0.75V | 3/4 | 1 | 1/8 | .138 +.015 +.000 | .750 +.000 -.001 | .751 +.002 +.000 | 1.000 +.002 +.000 | .750 +.000 -.002 | .999 +.000 -.001 | 1.000 +.002 +.000 | 16.17 |

FORMERLY LISTED SEALS ARE AVAILABLE ONLINE AT WWW.HERCULESUS.COM
 OR BY CONTACTING YOUR REGIONAL HERCULES SALES TEAM.



STYLE 800 FLUOROCARBON U-SEALS

U-SEALS

| Part Number | A Nom. ID | B Nom. OD | C Nom. Ht | D GROOVE WIDTH | E ROD DIAMETER | F THROAT DIAMETER | G HOUSING DIAMETER | H GROOVE DIAMETER | I PISTON DIAMETER | J BORE DIAMETER | List Price |
|------------------|--------------|--------------|--------------|--------------------------|---------------------------|---------------------------|---------------------------|---------------------------|---------------------------|---------------------------|---------------|
| U12-0.75-25BV | 3/4 | 1 | 1/4 | .275 +0.015 +0.000 | .750 +0.000 -0.001 | .751 +0.002 +0.000 | 1.000 +0.002 +0.000 | .750 +0.000 -0.002 | .999 +0.000 -0.001 | 1.000 +0.002 +0.000 | 18.42 |
| U12-0.87V | 7/8 | 1-1/8 | 1/8 | .138 +0.015 +0.000 | .875 +0.000 -0.001 | .876 +0.002 +0.000 | 1.125 +0.002 +0.000 | .875 +0.000 -0.002 | 1.124 +0.000 -0.001 | 1.125 +0.002 +0.000 | 17.97 |
| U12-1.00V | 1 | 1-1/4 | 1/8 | .138 +0.015 +0.000 | 1.000 +0.000 -0.001 | 1.001 +0.002 +0.000 | 1.250 +0.002 +0.000 | 1.000 +0.000 -0.002 | 1.249 +0.000 -0.001 | 1.250 +0.002 +0.000 | 17.97 |
| U12-1.00-25BV | 1 | 1-1/4 | 1/4 | .275 +0.015 +0.000 | 1.000 +0.000 -0.001 | 1.001 +0.002 +0.000 | 1.250 +0.002 +0.000 | 1.000 +0.000 -0.002 | 1.249 +0.000 -0.001 | 1.250 +0.002 +0.000 | 19.95 |
| U12-1.25V | 1-1/4 | 1-1/2 | 1/8 | .138 +0.015 +0.000 | 1.250 +0.000 -0.001 | 1.251 +0.002 +0.000 | 1.500 +0.002 +0.000 | 1.250 +0.000 -0.002 | 1.499 +0.000 -0.001 | 1.500 +0.002 +0.000 | 19.51 |
| U12-1.25-25BV | 1-1/4 | 1-1/2 | 1/4 | .275 +0.015 +0.000 | 1.250 +0.000 -0.001 | 1.251 +0.002 +0.000 | 1.500 +0.002 +0.000 | 1.250 +0.000 -0.002 | 1.499 +0.000 -0.001 | 1.500 +0.002 +0.000 | 21.42 |
| U12-1.37V | 1-3/8 | 1-5/8 | 1/8 | .138 +0.015 +0.000 | 1.375 +0.000 -0.001 | 1.376 +0.002 +0.000 | 1.625 +0.002 +0.000 | 1.375 +0.000 -0.002 | 1.624 +0.000 -0.001 | 1.625 +0.002 +0.000 | 19.51 |
| U12-1.37-25DV | 1-3/8 | 1-5/8 | 1/4 | .275 +0.015 +0.000 | 1.375 +0.000 -0.001 | 1.376 +0.002 +0.000 | 1.625 +0.002 +0.000 | 1.375 +0.000 -0.002 | 1.624 +0.000 -0.001 | 1.625 +0.002 +0.000 | 28.22 |
| U12-1.50V | 1-1/2 | 1-3/4 | 1/8 | .138 +0.015 +0.000 | 1.500 +0.000 -0.001 | 1.501 +0.002 +0.000 | 1.750 +0.002 +0.000 | 1.500 +0.000 -0.002 | 1.749 +0.000 -0.001 | 1.750 +0.002 +0.000 | 20.91 |
| U12-1.50-25BV | 1-1/2 | 1-3/4 | 1/4 | .275 +0.015 +0.000 | 1.500 +0.000 -0.001 | 1.501 +0.002 +0.000 | 1.750 +0.002 +0.000 | 1.500 +0.000 -0.002 | 1.749 +0.000 -0.001 | 1.750 +0.002 +0.000 | 23.71 |
| U12-1.75V | 1-3/4 | 2 | 1/8 | .138 +0.015 +0.000 | 1.750 +0.000 -0.001 | 1.751 +0.002 +0.000 | 2.000 +0.002 +0.000 | 1.750 +0.000 -0.002 | 1.999 +0.000 -0.001 | 2.000 +0.002 +0.000 | 23.43 |
| U12-2.00V | 2 | 2-1/4 | 1/8 | .138 +0.015 +0.000 | 2.000 +0.000 -0.001 | 2.001 +0.002 +0.000 | 2.250 +0.002 +0.000 | 2.000 +0.000 -0.002 | 2.249 +0.000 -0.001 | 2.250 +0.002 +0.000 | 25.59 |
| 5/32" C/S | | | | | | | | | | | |
| U15-1.00V | 1 | 1-5/16 | 5/32 | .172 +0.015 +0.000 | 1.000 +0.000 -0.002 | 1.001 +0.002 +0.000 | 1.313 +0.002 +0.000 | 1.000 +0.000 -0.002 | 1.311 +0.000 -0.001 | 1.313 +0.002 +0.000 | \$21.02 |
| U15-1.18V | 1-3/16 | 1-1/2 | 5/32 | .172 +0.015 +0.000 | 1.187 +0.000 -0.002 | 1.188 +0.002 +0.000 | 1.500 +0.002 +0.000 | 1.187 +0.000 -0.002 | 1.499 +0.000 -0.001 | 1.500 +0.002 +0.000 | 22.26 |
| U15-1.37V | 1-3/8 | 1-11/16 | 5/32 | .172 +0.015 +0.000 | 1.375 +0.000 -0.002 | 1.376 +0.002 +0.000 | 1.688 +0.002 +0.000 | 1.375 +0.000 -0.002 | 1.686 +0.000 -0.001 | 1.688 +0.002 +0.000 | 23.71 |
| 3/16" C/S | | | | | | | | | | | |
| U18-0.37V* | 3/8 | 3/4 | 3/16 | .207 +0.015 +0.000 | .375 +0.000 -0.002 | .376 +0.002 +0.000 | .750 +0.002 +0.000 | .375 +0.000 -0.002 | .749 +0.000 -0.002 | .750 +0.002 +0.000 | \$3.00 |
| U18-0.50-31BV | 1/2 | 7/8 | 5/16 | .344 +0.015 +0.000 | .500 +0.000 -0.002 | .501 +0.002 +0.000 | .875 +0.002 +0.000 | .500 +0.000 -0.002 | .874 +0.000 -0.002 | .875 +0.002 +0.000 | 29.11 |
| U18-0.62V | 5/8 | 1 | 3/16 | .207 +0.015 +0.000 | .625 +0.000 -0.002 | .626 +0.002 +0.000 | 1.000 +0.002 +0.000 | .625 +0.000 -0.002 | .999 +0.000 -0.002 | 1.000 +0.002 +0.000 | 17.97 |
| U18-0.62-31BV | 5/8 | 1 | 5/16 | .344 +0.015 +0.000 | .625 +0.000 -0.002 | .626 +0.002 +0.000 | 1.000 +0.002 +0.000 | .625 +0.000 -0.002 | .999 +0.000 -0.002 | 1.000 +0.002 +0.000 | 18.61 |
| U18-0.75-31BV | 3/4 | 1-1/8 | 5/16 | .344 +0.015 +0.000 | .750 +0.000 -0.002 | .751 +0.002 +0.000 | 1.125 +0.002 +0.000 | .750 +0.000 -0.002 | 1.124 +0.000 -0.002 | 1.125 +0.002 +0.000 | 20.12 |
| U18-1.00V | 1 | 1-3/8 | 3/16 | .207 +0.015 +0.000 | 1.000 +0.000 -0.002 | 1.001 +0.002 +0.000 | 1.375 +0.002 +0.000 | 1.000 +0.000 -0.002 | 1.374 +0.000 -0.002 | 1.375 +0.002 +0.000 | 20.04 |
| U18-1.00-31BV | 1 | 1-3/8 | 5/16 | .344 +0.015 +0.000 | 1.000 +0.000 -0.002 | 1.001 +0.002 +0.000 | 1.375 +0.002 +0.000 | 1.000 +0.000 -0.002 | 1.374 +0.000 -0.002 | 1.375 +0.002 +0.000 | 21.28 |
| U18-1.12V | 1-1/8 | 1-1/2 | 3/16 | .207 +0.015 +0.000 | 1.125 +0.000 -0.002 | 1.126 +0.002 +0.000 | 1.500 +0.002 +0.000 | 1.125 +0.000 -0.002 | 1.499 +0.000 -0.002 | 1.500 +0.002 +0.000 | 22.00 |
| U18-1.12-31BV | 1-1/8 | 1-1/2 | 5/16 | .344 +0.015 +0.000 | 1.125 +0.000 -0.002 | 1.126 +0.002 +0.000 | 1.500 +0.002 +0.000 | 1.125 +0.000 -0.002 | 1.499 +0.000 -0.002 | 1.500 +0.002 +0.000 | 22.21 |
| U18-1.12-37BV | 1-1/8 | 1-1/2 | 3/8 | .413 +0.015 +0.000 | 1.125 +0.000 -0.002 | 1.126 +0.002 +0.000 | 1.500 +0.002 +0.000 | 1.125 +0.000 -0.002 | 1.499 +0.000 -0.002 | 1.500 +0.002 +0.000 | 19.56 |
| U18-1.25V | 1-1/4 | 1-5/8 | 3/16 | .207 +0.015 +0.000 | 1.250 +0.000 -0.002 | 1.251 +0.002 +0.000 | 1.625 +0.002 +0.000 | 1.250 +0.000 -0.002 | 1.624 +0.000 -0.002 | 1.625 +0.002 +0.000 | 22.00 |
| U18-1.25-31BV | 1-1/4 | 1-5/8 | 5/16 | .344 +0.015 +0.000 | 1.250 +0.000 -0.002 | 1.251 +0.002 +0.000 | 1.625 +0.002 +0.000 | 1.250 +0.000 -0.002 | 1.624 +0.000 -0.002 | 1.625 +0.002 +0.000 | 22.81 |
| U18-1.37V | 1-3/8 | 1-3/4 | 3/16 | .207 +0.015 +0.000 | 1.375 +0.000 -0.002 | 1.376 +0.002 +0.000 | 1.750 +0.002 +0.000 | 1.375 +0.000 -0.002 | 1.749 +0.000 -0.002 | 1.750 +0.002 +0.000 | 23.71 |
| U18-1.37-25BV | 1-3/8 | 1-3/4 | 1/4 | .275 +0.015 +0.000 | 1.375 +0.000 -0.002 | 1.376 +0.002 +0.000 | 1.750 +0.002 +0.000 | 1.375 +0.000 -0.002 | 1.749 +0.000 -0.002 | 1.750 +0.002 +0.000 | 25.24 |
| U18-1.37-31BV | 1-3/8 | 1-3/4 | 5/16 | .344 +0.015 +0.000 | 1.375 +0.000 -0.002 | 1.376 +0.002 +0.000 | 1.750 +0.002 +0.000 | 1.375 +0.000 -0.002 | 1.749 +0.000 -0.002 | 1.750 +0.002 +0.000 | 24.01 |
| U18-1.50V | 1-1/2 | 1-7/8 | 3/16 | .207 +0.015 +0.000 | 1.500 +0.000 -0.002 | 1.501 +0.002 +0.000 | 1.875 +0.002 +0.000 | 1.500 +0.000 -0.002 | 1.874 +0.000 -0.002 | 1.875 +0.002 +0.000 | 23.19 |

* Closeout item - Price Shown as Net. This item will no longer be available once stock has been depleted.

NORTH AMERICA
PHONE 1-800-777-5617
FAX 1-800-759-6391

SALES OFFICE HOURS
8 A.M. TO 7:30 P.M. EASTERN TIME
www.HerculesUS.com

WORLDWIDE
PHONE 1-727-796-1300
FAX 1-727-797-8849



STYLE 800 FLUOROCARBON U-SEALS

U-SEALS

| Part Number | A Nom. ID | B Nom. OD | C Nom. Ht | D GROOVE WIDTH | E ROD DIAMETER | F THROAT DIAMETER | G HOUSING DIAMETER | H GROOVE DIAMETER | I PISTON DIAMETER | J BORE DIAMETER | List Price |
|------------------|-----------|-----------|-----------|------------------------|-------------------------|-------------------------|-------------------------|-------------------------|-------------------------|-------------------------|------------|
| U18-1.50-25BV | 1-1/2 | 1-7/8 | 1/4 | .275 +.015 +.000 | 1.500 +.000 -.002 | 1.501 +.002 +.000 | 1.875 +.002 +.000 | 1.500 +.000 -.002 | 1.874 +.000 -.002 | 1.875 +.002 +.000 | 25.43 |
| U18-1.50-37BV | 1-1/2 | 1-7/8 | 3/8 | .413 +.015 +.000 | 1.500 +.000 -.002 | 1.501 +.002 +.000 | 1.875 +.002 +.000 | 1.500 +.000 -.002 | 1.874 +.000 -.002 | 1.875 +.002 +.000 | 25.24 |
| U18-1.62V | 1-5/8 | 2 | 3/16 | .207 +.015 +.000 | 1.625 +.000 -.002 | 1.626 +.002 +.000 | 2.000 +.002 +.000 | 1.625 +.000 -.002 | 1.999 +.000 -.002 | 2.000 +.002 +.000 | 24.14 |
| U18-1.62-37BV | 1-5/8 | 2 | 3/8 | .413 +.015 +.000 | 1.625 +.000 -.002 | 1.626 +.002 +.000 | 2.000 +.002 +.000 | 1.625 +.000 -.002 | 1.999 +.000 -.002 | 2.000 +.002 +.000 | 26.12 |
| U18-1.75V | 1-3/4 | 2-1/8 | 3/16 | .207 +.015 +.000 | 1.750 +.000 -.002 | 1.751 +.002 +.000 | 2.125 +.002 +.000 | 1.750 +.000 -.002 | 2.124 +.000 -.002 | 2.125 +.002 +.000 | 24.62 |
| U18-1.75-31BV | 1-3/4 | 2-1/8 | 5/16 | .344 +.015 +.000 | 1.750 +.000 -.002 | 1.751 +.002 +.000 | 2.125 +.002 +.000 | 1.750 +.000 -.002 | 2.124 +.000 -.002 | 2.125 +.002 +.000 | 28.78 |
| U18-1.75-37BV | 1-3/4 | 2-1/8 | 3/8 | .413 +.015 +.000 | 1.750 +.000 -.002 | 1.751 +.002 +.000 | 2.125 +.002 +.000 | 1.750 +.000 -.002 | 2.124 +.000 -.002 | 2.125 +.002 +.000 | 27.65 |
| U18-2.00V | 2 | 2-3/8 | 3/16 | .207 +.015 +.000 | 2.000 +.000 -.002 | 2.001 +.002 +.000 | 2.375 +.002 +.000 | 2.000 +.000 -.002 | 2.374 +.000 -.002 | 2.375 +.002 +.000 | 25.66 |
| U18-2.00-37BV | 2 | 2-3/8 | 3/8 | .413 +.015 +.000 | 2.000 +.000 -.002 | 2.001 +.002 +.000 | 2.375 +.002 +.000 | 2.000 +.000 -.002 | 2.374 +.000 -.002 | 2.375 +.002 +.000 | 30.78 |
| U18-2.12V | 2-1/8 | 2-1/2 | 3/16 | .207 +.015 +.000 | 2.125 +.000 -.002 | 2.126 +.002 +.000 | 2.500 +.002 +.000 | 2.125 +.000 -.002 | 2.499 +.000 -.002 | 2.500 +.002 +.000 | 25.32 |
| U18-2.12-37BV | 2-1/8 | 2-1/2 | 3/8 | .413 +.015 +.000 | 2.125 +.000 -.002 | 2.126 +.002 +.000 | 2.500 +.002 +.000 | 2.125 +.000 -.002 | 2.499 +.000 -.002 | 2.500 +.002 +.000 | 31.96 |
| U18-2.25V | 2-1/4 | 2-5/8 | 3/16 | .207 +.015 +.000 | 2.250 +.000 -.002 | 2.251 +.002 +.000 | 2.625 +.002 +.000 | 2.250 +.000 -.002 | 2.624 +.000 -.002 | 2.625 +.002 +.000 | 28.28 |
| U18-2.50V | 2-1/2 | 2-7/8 | 3/16 | .207 +.015 +.000 | 2.500 +.000 -.002 | 2.501 +.002 +.000 | 2.875 +.002 +.000 | 2.500 +.000 -.002 | 2.874 +.000 -.002 | 2.875 +.002 +.000 | 29.28 |
| U18-2.50-25DV | 2-1/2 | 2-7/8 | 1/4 | .275 +.015 +.000 | 2.500 +.000 -.002 | 2.501 +.002 +.000 | 2.875 +.002 +.000 | 2.500 +.000 -.002 | 2.874 +.000 -.002 | 2.875 +.002 +.000 | 41.64 |
| U18-2.50-37BV | 2-1/2 | 2-7/8 | 3/8 | .413 +.015 +.000 | 2.500 +.000 -.002 | 2.501 +.002 +.000 | 2.875 +.002 +.000 | 2.500 +.000 -.002 | 2.874 +.000 -.002 | 2.875 +.002 +.000 | 37.19 |
| U18-2.62V | 2-5/8 | 3 | 3/16 | .207 +.015 +.000 | 2.625 +.000 -.002 | 2.626 +.002 +.000 | 3.000 +.002 +.000 | 2.625 +.000 -.002 | 2.999 +.000 -.002 | 3.000 +.002 +.000 | 29.18 |
| U18-2.62-37BV | 2-5/8 | 3 | 3/8 | .413 +.015 +.000 | 2.625 +.000 -.002 | 2.626 +.002 +.000 | 3.000 +.002 +.000 | 2.625 +.000 -.002 | 2.999 +.000 -.002 | 3.000 +.002 +.000 | 38.71 |
| U18-2.75V | 2-3/4 | 3-1/8 | 3/16 | .207 +.015 +.000 | 2.750 +.000 -.002 | 2.751 +.002 +.000 | 3.125 +.002 +.000 | 2.750 +.000 -.002 | 3.124 +.000 -.002 | 3.125 +.002 +.000 | 30.36 |
| U18-2.87V | 2-7/8 | 3-1/4 | 3/16 | .207 +.015 +.000 | 2.875 +.000 -.002 | 2.876 +.002 +.000 | 3.250 +.002 +.000 | 2.875 +.000 -.002 | 3.249 +.000 -.002 | 3.250 +.002 +.000 | 30.11 |
| U18-3.00V | 3 | 3-3/8 | 3/16 | .207 +.015 +.000 | 3.000 +.000 -.002 | 3.001 +.002 +.000 | 3.375 +.002 +.000 | 3.000 +.000 -.002 | 3.374 +.000 -.002 | 3.375 +.002 +.000 | 33.97 |
| U18-3.00-37BV | 3 | 3-3/8 | 3/8 | .413 +.015 +.000 | 3.000 +.000 -.002 | 3.001 +.002 +.000 | 3.375 +.002 +.000 | 3.000 +.000 -.002 | 3.374 +.000 -.002 | 3.375 +.002 +.000 | 47.27 |
| U18-3.25-37BV | 3-1/4 | 3-5/8 | 3/8 | .413 +.015 +.000 | 3.250 +.000 -.002 | 3.251 +.002 +.000 | 3.625 +.002 +.000 | 3.250 +.000 -.002 | 3.624 +.000 -.002 | 3.625 +.002 +.000 | 53.15 |
| U18-3.50-37BV | 3-1/2 | 3-7/8 | 3/8 | .413 +.015 +.000 | 3.500 +.000 -.002 | 3.501 +.002 +.000 | 3.875 +.002 +.000 | 3.500 +.000 -.002 | 3.874 +.000 -.002 | 3.875 +.002 +.000 | 53.62 |
| U18-3.62V | 3-5/8 | 4 | 3/16 | .207 +.015 +.000 | 3.625 +.000 -.002 | 3.626 +.002 +.000 | 4.000 +.002 +.000 | 3.625 +.000 -.002 | 3.999 +.000 -.002 | 4.000 +.002 +.000 | 41.95 |
| 7/32" C/S | | | | | | | | | | | |
| U21-2.81V | 2-13/16 | 3-1/4 | 7/32 | .241 +.015 +.000 | 2.812 +.000 -.002 | 2.813 +.002 +.000 | 3.250 +.002 +.000 | 2.812 +.000 -.002 | 3.249 +.000 -.002 | 3.250 +.002 +.000 | \$46.92 |
| 1/4" C/S | | | | | | | | | | | |
| U25-0.62V | 5/8 | 1-1/8 | 1/4 | .275 +.015 +.000 | .625 +.000 -.002 | .626 +.003 +.000 | 1.125 +.003 +.000 | .625 +.000 -.003 | 1.124 +.000 -.002 | 1.125 +.003 +.000 | \$21.30 |
| U25-0.75-37BV | 3/4 | 1-1/4 | 3/8 | .413 +.015 +.000 | .750 +.000 -.002 | .751 +.003 +.000 | 1.250 +.003 +.000 | .750 +.000 -.003 | 1.249 +.000 -.002 | 1.250 +.003 +.000 | 23.10 |
| U25-0.87-37BV | 7/8 | 1-3/8 | 3/8 | .413 +.015 +.000 | .875 +.000 -.002 | .876 +.003 +.000 | 1.375 +.003 +.000 | .875 +.000 -.003 | 1.374 +.000 -.002 | 1.375 +.003 +.000 | 23.82 |
| U25-1.00V | 1 | 1-1/2 | 1/4 | .275 +.015 +.000 | 1.000 +.000 -.002 | 1.001 +.003 +.000 | 1.500 +.003 +.000 | 1.000 +.000 -.003 | 1.499 +.000 -.002 | 1.500 +.003 +.000 | 21.03 |
| U25-1.00-37BV | 1 | 1-1/2 | 3/8 | .413 +.015 +.000 | 1.000 +.000 -.002 | 1.001 +.003 +.000 | 1.500 +.003 +.000 | 1.000 +.000 -.003 | 1.499 +.000 -.002 | 1.500 +.003 +.000 | 20.63 |
| U25-1.12V | 1-1/8 | 1-5/8 | 1/4 | .275 +.015 +.000 | 1.125 +.000 -.002 | 1.126 +.003 +.000 | 1.625 +.003 +.000 | 1.125 +.000 -.003 | 1.624 +.000 -.002 | 1.625 +.003 +.000 | 21.52 |

FORMERLY LISTED SEALS ARE AVAILABLE ONLINE AT WWW.HERCULESUS.COM
OR BY CONTACTING YOUR REGIONAL HERCULES SALES TEAM.



STYLE 800 FLUOROCARBON U-SEALS

U-SEALS

| Part Number | A Nom. ID | B Nom. OD | C Nom. Ht | D GROOVE WIDTH | E ROD DIAMETER | F THROAT DIAMETER | G HOUSING DIAMETER | H GROOVE DIAMETER | I PISTON DIAMETER | J BORE DIAMETER | List Price |
|---------------|--------------|--------------|--------------|--------------------------|---------------------------|---------------------------|---------------------------|---------------------------|---------------------------|---------------------------|---------------|
| U25-1.12-37BV | 1-1/8 | 1-5/8 | 3/8 | .413 +0.015 +0.000 | 1.125 +0.000 -0.002 | 1.126 +0.003 +0.000 | 1.625 +0.003 +0.000 | 1.125 +0.000 -0.003 | 1.624 +0.000 -0.002 | 1.625 +0.003 +0.000 | 24.99 |
| U25-1.25V | 1-1/4 | 1-3/4 | 1/4 | .275 +0.015 +0.000 | 1.250 +0.000 -0.002 | 1.251 +0.003 +0.000 | 1.750 +0.003 +0.000 | 1.250 +0.000 -0.003 | 1.749 +0.000 -0.002 | 1.750 +0.003 +0.000 | 22.00 |
| U25-1.25-37BV | 1-1/4 | 1-3/4 | 3/8 | .413 +0.015 +0.000 | 1.250 +0.000 -0.002 | 1.251 +0.003 +0.000 | 1.750 +0.003 +0.000 | 1.250 +0.000 -0.003 | 1.749 +0.000 -0.002 | 1.750 +0.003 +0.000 | 24.99 |
| U25-1.37V | 1-3/8 | 1-7/8 | 1/4 | .275 +0.015 +0.000 | 1.375 +0.000 -0.002 | 1.376 +0.003 +0.000 | 1.875 +0.003 +0.000 | 1.375 +0.000 -0.003 | 1.874 +0.000 -0.002 | 1.875 +0.003 +0.000 | 26.86 |
| U25-1.37-37BV | 1-3/8 | 1-7/8 | 3/8 | .413 +0.015 +0.000 | 1.375 +0.000 -0.002 | 1.376 +0.003 +0.000 | 1.875 +0.003 +0.000 | 1.375 +0.000 -0.003 | 1.874 +0.000 -0.002 | 1.875 +0.003 +0.000 | 28.44 |
| U25-1.50V | 1-1/2 | 2 | 1/4 | .275 +0.015 +0.000 | 1.500 +0.000 -0.002 | 1.501 +0.003 +0.000 | 2.000 +0.003 +0.000 | 1.500 +0.000 -0.003 | 1.999 +0.000 -0.002 | 2.000 +0.003 +0.000 | 24.99 |
| U25-1.50-37BV | 1-1/2 | 2 | 3/8 | .413 +0.015 +0.000 | 1.500 +0.000 -0.002 | 1.501 +0.003 +0.000 | 2.000 +0.003 +0.000 | 1.500 +0.000 -0.003 | 1.999 +0.000 -0.002 | 2.000 +0.003 +0.000 | 28.12 |
| U25-1.75V | 1-3/4 | 2-1/4 | 1/4 | .275 +0.015 +0.000 | 1.750 +0.000 -0.002 | 1.751 +0.003 +0.000 | 2.250 +0.003 +0.000 | 1.750 +0.000 -0.003 | 2.249 +0.000 -0.002 | 2.250 +0.003 +0.000 | 27.92 |
| U25-1.75-37BV | 1-3/4 | 2-1/4 | 3/8 | .413 +0.015 +0.000 | 1.750 +0.000 -0.002 | 1.751 +0.003 +0.000 | 2.250 +0.003 +0.000 | 1.750 +0.000 -0.003 | 2.249 +0.000 -0.002 | 2.250 +0.003 +0.000 | 30.99 |
| U25-2.00V | 2 | 2-1/2 | 1/4 | .275 +0.015 +0.000 | 2.000 +0.000 -0.002 | 2.001 +0.003 +0.000 | 2.500 +0.003 +0.000 | 2.000 +0.000 -0.003 | 2.499 +0.000 -0.002 | 2.500 +0.003 +0.000 | 30.99 |
| U25-2.00-37BV | 2 | 2-1/2 | 3/8 | .413 +0.015 +0.000 | 2.000 +0.000 -0.002 | 2.001 +0.003 +0.000 | 2.500 +0.003 +0.000 | 2.000 +0.000 -0.003 | 2.499 +0.000 -0.002 | 2.500 +0.003 +0.000 | 33.09 |
| U25-2.00-37DV | 2 | 2-1/2 | 3/8 | .413 +0.015 +0.000 | 2.000 +0.000 -0.002 | 2.001 +0.003 +0.000 | 2.500 +0.003 +0.000 | 2.000 +0.000 -0.003 | 2.499 +0.000 -0.002 | 2.500 +0.003 +0.000 | 33.76 |
| U25-2.25V | 2-1/4 | 2-3/4 | 1/4 | .275 +0.015 +0.000 | 2.250 +0.000 -0.002 | 2.251 +0.003 +0.000 | 2.750 +0.003 +0.000 | 2.250 +0.000 -0.003 | 2.749 +0.000 -0.002 | 2.750 +0.003 +0.000 | 37.55 |
| U25-2.25-37BV | 2-1/4 | 2-3/4 | 3/8 | .413 +0.015 +0.000 | 2.250 +0.000 -0.002 | 2.251 +0.003 +0.000 | 2.750 +0.003 +0.000 | 2.250 +0.000 -0.003 | 2.749 +0.000 -0.002 | 2.750 +0.003 +0.000 | 37.98 |
| U25-2.50V | 2-1/2 | 3 | 1/4 | .275 +0.015 +0.000 | 2.500 +0.000 -0.002 | 2.501 +0.003 +0.000 | 3.000 +0.003 +0.000 | 2.500 +0.000 -0.003 | 2.999 +0.000 -0.002 | 3.000 +0.003 +0.000 | 34.77 |
| U25-2.50-37BV | 2-1/2 | 3 | 3/8 | .413 +0.015 +0.000 | 2.500 +0.000 -0.002 | 2.501 +0.003 +0.000 | 3.000 +0.003 +0.000 | 2.500 +0.000 -0.003 | 2.999 +0.000 -0.002 | 3.000 +0.003 +0.000 | 41.76 |
| U25-2.50-37DV | 2-1/2 | 3 | 3/8 | .413 +0.015 +0.000 | 2.500 +0.000 -0.002 | 2.501 +0.003 +0.000 | 3.000 +0.003 +0.000 | 2.500 +0.000 -0.003 | 2.999 +0.000 -0.002 | 3.000 +0.003 +0.000 | 44.93 |
| U25-2.62-37BV | 2-5/8 | 3-1/8 | 3/8 | .413 +0.015 +0.000 | 2.625 +0.000 -0.002 | 2.626 +0.003 +0.000 | 3.125 +0.003 +0.000 | 2.625 +0.000 -0.003 | 3.124 +0.000 -0.002 | 3.125 +0.003 +0.000 | 43.65 |
| U25-2.75V | 2-3/4 | 3-1/4 | 1/4 | .275 +0.015 +0.000 | 2.750 +0.000 -0.002 | 2.751 +0.003 +0.000 | 3.250 +0.003 +0.000 | 2.750 +0.000 -0.003 | 3.249 +0.000 -0.002 | 3.250 +0.003 +0.000 | 40.52 |
| U25-2.75-37BV | 2-3/4 | 3-1/4 | 3/8 | .413 +0.015 +0.000 | 2.750 +0.000 -0.002 | 2.751 +0.003 +0.000 | 3.250 +0.003 +0.000 | 2.750 +0.000 -0.003 | 3.249 +0.000 -0.002 | 3.250 +0.003 +0.000 | 45.86 |
| U25-3.00V | 3 | 3-1/2 | 1/4 | .275 +0.015 +0.000 | 3.000 +0.000 -0.002 | 3.001 +0.003 +0.000 | 3.500 +0.003 +0.000 | 3.000 +0.000 -0.003 | 3.499 +0.000 -0.002 | 3.500 +0.003 +0.000 | 43.65 |
| U25-3.00-37BV | 3 | 3-1/2 | 3/8 | .413 +0.015 +0.000 | 3.000 +0.000 -0.002 | 3.001 +0.003 +0.000 | 3.500 +0.003 +0.000 | 3.000 +0.000 -0.003 | 3.499 +0.000 -0.002 | 3.500 +0.003 +0.000 | 49.31 |
| U25-3.25V | 3-1/4 | 3-3/4 | 1/4 | .275 +0.015 +0.000 | 3.250 +0.000 -0.002 | 3.251 +0.003 +0.000 | 3.750 +0.003 +0.000 | 3.250 +0.000 -0.003 | 3.749 +0.000 -0.002 | 3.750 +0.003 +0.000 | 49.12 |
| U25-3.25-37BV | 3-1/4 | 3-3/4 | 3/8 | .413 +0.015 +0.000 | 3.250 +0.000 -0.002 | 3.251 +0.003 +0.000 | 3.750 +0.003 +0.000 | 3.250 +0.000 -0.003 | 3.749 +0.000 -0.002 | 3.750 +0.003 +0.000 | 52.71 |
| U25-3.50V | 3-1/2 | 4 | 1/4 | .275 +0.015 +0.000 | 3.500 +0.000 -0.002 | 3.501 +0.003 +0.000 | 4.000 +0.003 +0.000 | 3.500 +0.000 -0.003 | 3.999 +0.000 -0.002 | 4.000 +0.003 +0.000 | 52.53 |
| U25-3.50-37BV | 3-1/2 | 4 | 3/8 | .413 +0.015 +0.000 | 3.500 +0.000 -0.002 | 3.501 +0.003 +0.000 | 4.000 +0.003 +0.000 | 3.500 +0.000 -0.003 | 3.999 +0.000 -0.002 | 4.000 +0.003 +0.000 | 56.95 |
| U25-3.50-37DV | 3-1/2 | 4 | 3/8 | .413 +0.015 +0.000 | 3.500 +0.000 -0.002 | 3.501 +0.003 +0.000 | 4.000 +0.003 +0.000 | 3.500 +0.000 -0.003 | 3.999 +0.000 -0.002 | 4.000 +0.003 +0.000 | 57.73 |
| U25-4.00V | 4 | 4-1/2 | 1/4 | .275 +0.015 +0.000 | 4.000 +0.000 -0.002 | 4.001 +0.003 +0.000 | 4.500 +0.003 +0.000 | 4.000 +0.000 -0.003 | 4.499 +0.000 -0.002 | 4.500 +0.003 +0.000 | 59.10 |
| U25-4.00-37BV | 4 | 4-1/2 | 3/8 | .413 +0.015 +0.000 | 4.000 +0.000 -0.002 | 4.001 +0.003 +0.000 | 4.500 +0.003 +0.000 | 4.000 +0.000 -0.003 | 4.499 +0.000 -0.002 | 4.500 +0.003 +0.000 | 62.88 |
| U25-4.00-56BV | 4 | 4-1/2 | 9/16 | .619 +0.015 +0.000 | 4.000 +0.000 -0.002 | 4.001 +0.003 +0.000 | 4.500 +0.003 +0.000 | 4.000 +0.000 -0.003 | 4.499 +0.000 -0.002 | 4.500 +0.003 +0.000 | 65.56 |
| U25-4.25-56BV | 4-1/4 | 4-3/4 | 9/16 | .619 +0.015 +0.000 | 4.250 +0.000 -0.002 | 4.251 +0.003 +0.000 | 4.750 +0.003 +0.000 | 4.250 +0.000 -0.003 | 4.749 +0.000 -0.002 | 4.750 +0.003 +0.000 | 78.40 |
| U25-4.50V | 4-1/2 | 5 | 1/4 | .275 +0.015 +0.000 | 4.500 +0.000 -0.002 | 4.501 +0.003 +0.000 | 5.000 +0.003 +0.000 | 4.500 +0.000 -0.003 | 4.999 +0.000 -0.002 | 5.000 +0.003 +0.000 | 62.71 |
| U25-4.75-56BV | 4-3/4 | 5-1/4 | 9/16 | .619 +0.015 +0.000 | 4.750 +0.000 -0.002 | 4.751 +0.003 +0.000 | 5.250 +0.003 +0.000 | 4.750 +0.000 -0.003 | 5.249 +0.000 -0.002 | 5.250 +0.003 +0.000 | 81.17 |

NORTH AMERICA
PHONE 1-800-777-5617
FAX 1-800-759-6391

SALES OFFICE HOURS
8 A.M. TO 7:30 P.M. EASTERN TIME
www.HerculesUS.com

WORLDWIDE
PHONE 1-727-796-1300
FAX 1-727-797-8849



STYLE 800 FLUOROCARBON U-SEALS

U-SEALS

| Part Number | A Nom. ID | B Nom. OD | C Nom. Ht | D GROOVE WIDTH | E ROD DIAMETER | F THROAT DIAMETER | G HOUSING DIAMETER | H GROOVE DIAMETER | I PISTON DIAMETER | J BORE DIAMETER | List Price |
|------------------|-----------|-----------|-----------|--|---|---|---|---|---|---|------------|
| U25-5.00V | 5 | 5-1/2 | 1/4 | .275 ^{+0.015} / _{+0.000} | 5.000 ^{+0.000} / _{-0.002} | 5.001 ^{+0.003} / _{+0.000} | 5.500 ^{+0.003} / _{+0.000} | 5.000 ^{+0.000} / _{-0.003} | 5.499 ^{+0.000} / _{-0.002} | 5.500 ^{+0.003} / _{+0.000} | 68.97 |
| U25-5.00-37BV | 5 | 5-1/2 | 3/8 | .413 ^{+0.015} / _{+0.000} | 5.000 ^{+0.000} / _{-0.002} | 5.001 ^{+0.003} / _{+0.000} | 5.500 ^{+0.003} / _{+0.000} | 5.000 ^{+0.000} / _{-0.003} | 5.499 ^{+0.000} / _{-0.002} | 5.500 ^{+0.003} / _{+0.000} | 89.80 |
| U25-5.00-56BV | 5 | 5-1/2 | 9/16 | .619 ^{+0.015} / _{+0.000} | 5.000 ^{+0.000} / _{-0.002} | 5.001 ^{+0.003} / _{+0.000} | 5.500 ^{+0.003} / _{+0.000} | 5.000 ^{+0.000} / _{-0.003} | 5.499 ^{+0.000} / _{-0.002} | 5.500 ^{+0.003} / _{+0.000} | 89.80 |
| U25-5.50V | 5-1/2 | 6 | 1/4 | .275 ^{+0.015} / _{+0.000} | 5.500 ^{+0.000} / _{-0.002} | 5.501 ^{+0.003} / _{+0.000} | 6.000 ^{+0.003} / _{+0.000} | 5.500 ^{+0.000} / _{-0.003} | 5.999 ^{+0.000} / _{-0.002} | 6.000 ^{+0.003} / _{+0.000} | 82.82 |
| 9/32" C/S | | | | | | | | | | | |
| U28-5.43V | 5-7/16 | 6 | 9/32 | .310 ^{+0.015} / _{+0.000} | 5.437 ^{+0.000} / _{-0.002} | 5.439 ^{+0.003} / _{+0.000} | 6.000 ^{+0.003} / _{+0.000} | 5.437 ^{+0.000} / _{-0.003} | 5.999 ^{+0.000} / _{-0.002} | 6.000 ^{+0.003} / _{+0.000} | \$134.69 |
| 5/16" C/S | | | | | | | | | | | |
| U31-1.00V | 1 | 1-5/8 | 5/16 | .344 ^{+0.015} / _{+0.000} | 1.000 ^{+0.000} / _{-0.002} | 1.002 ^{+0.003} / _{+0.000} | 1.625 ^{+0.004} / _{+0.000} | 1.000 ^{+0.000} / _{-0.004} | 1.623 ^{+0.000} / _{-0.002} | 1.625 ^{+0.003} / _{+0.000} | \$26.52 |
| U31-1.25V | 1-1/4 | 1-7/8 | 5/16 | .344 ^{+0.015} / _{+0.000} | 1.250 ^{+0.000} / _{-0.002} | 1.252 ^{+0.003} / _{+0.000} | 1.875 ^{+0.004} / _{+0.000} | 1.250 ^{+0.000} / _{-0.004} | 1.873 ^{+0.000} / _{-0.002} | 1.875 ^{+0.003} / _{+0.000} | 26.52 |
| U31-1.37V | 1-3/8 | 2 | 5/16 | .344 ^{+0.015} / _{+0.000} | 1.375 ^{+0.000} / _{-0.002} | 1.377 ^{+0.003} / _{+0.000} | 2.000 ^{+0.004} / _{+0.000} | 1.375 ^{+0.000} / _{-0.004} | 1.998 ^{+0.000} / _{-0.002} | 2.000 ^{+0.003} / _{+0.000} | 30.36 |
| U31-1.37-50BV | 1-3/8 | 2 | 1/2 | .550 ^{+0.015} / _{+0.000} | 1.375 ^{+0.000} / _{-0.002} | 1.377 ^{+0.003} / _{+0.000} | 2.000 ^{+0.004} / _{+0.000} | 1.375 ^{+0.000} / _{-0.004} | 1.998 ^{+0.000} / _{-0.002} | 2.000 ^{+0.003} / _{+0.000} | 31.16 |
| U31-1.50V | 1-1/2 | 2-1/8 | 5/16 | .344 ^{+0.015} / _{+0.000} | 1.500 ^{+0.000} / _{-0.002} | 1.502 ^{+0.003} / _{+0.000} | 2.125 ^{+0.004} / _{+0.000} | 1.500 ^{+0.000} / _{-0.004} | 2.123 ^{+0.000} / _{-0.002} | 2.125 ^{+0.003} / _{+0.000} | 30.89 |
| U31-1.75V | 1-3/4 | 2-3/8 | 5/16 | .344 ^{+0.015} / _{+0.000} | 1.750 ^{+0.000} / _{-0.002} | 1.752 ^{+0.003} / _{+0.000} | 2.375 ^{+0.004} / _{+0.000} | 1.750 ^{+0.000} / _{-0.004} | 2.373 ^{+0.000} / _{-0.002} | 2.375 ^{+0.003} / _{+0.000} | 34.87 |
| U31-1.75-50BV | 1-3/4 | 2-3/8 | 1/2 | .550 ^{+0.015} / _{+0.000} | 1.750 ^{+0.000} / _{-0.002} | 1.752 ^{+0.003} / _{+0.000} | 2.375 ^{+0.004} / _{+0.000} | 1.750 ^{+0.000} / _{-0.004} | 2.373 ^{+0.000} / _{-0.002} | 2.375 ^{+0.003} / _{+0.000} | 38.63 |
| U31-2.00V | 2 | 2-5/8 | 5/16 | .344 ^{+0.015} / _{+0.000} | 2.000 ^{+0.000} / _{-0.002} | 2.002 ^{+0.003} / _{+0.000} | 2.625 ^{+0.004} / _{+0.000} | 2.000 ^{+0.000} / _{-0.004} | 2.623 ^{+0.000} / _{-0.002} | 2.625 ^{+0.003} / _{+0.000} | 38.98 |
| U31-2.00-50BV | 2 | 2-5/8 | 1/2 | .550 ^{+0.015} / _{+0.000} | 2.000 ^{+0.000} / _{-0.002} | 2.002 ^{+0.003} / _{+0.000} | 2.625 ^{+0.004} / _{+0.000} | 2.000 ^{+0.000} / _{-0.004} | 2.623 ^{+0.000} / _{-0.002} | 2.625 ^{+0.003} / _{+0.000} | 40.79 |
| U31-2.25V | 2-1/4 | 2-7/8 | 5/16 | .344 ^{+0.015} / _{+0.000} | 2.250 ^{+0.000} / _{-0.002} | 2.252 ^{+0.003} / _{+0.000} | 2.875 ^{+0.004} / _{+0.000} | 2.250 ^{+0.000} / _{-0.004} | 2.873 ^{+0.000} / _{-0.002} | 2.875 ^{+0.003} / _{+0.000} | 42.78 |
| U31-2.37V | 2-3/8 | 3 | 5/16 | .344 ^{+0.015} / _{+0.000} | 2.375 ^{+0.000} / _{-0.002} | 2.377 ^{+0.003} / _{+0.000} | 3.000 ^{+0.004} / _{+0.000} | 2.375 ^{+0.000} / _{-0.004} | 2.998 ^{+0.000} / _{-0.002} | 3.000 ^{+0.003} / _{+0.000} | 42.83 |
| U31-2.37-50BV | 2-3/8 | 3 | 1/2 | .550 ^{+0.015} / _{+0.000} | 2.375 ^{+0.000} / _{-0.002} | 2.377 ^{+0.003} / _{+0.000} | 3.000 ^{+0.004} / _{+0.000} | 2.375 ^{+0.000} / _{-0.004} | 2.998 ^{+0.000} / _{-0.002} | 3.000 ^{+0.003} / _{+0.000} | 46.68 |
| U31-2.50V | 2-1/2 | 3-1/8 | 5/16 | .344 ^{+0.015} / _{+0.000} | 2.500 ^{+0.000} / _{-0.002} | 2.502 ^{+0.003} / _{+0.000} | 3.125 ^{+0.004} / _{+0.000} | 2.500 ^{+0.000} / _{-0.004} | 3.123 ^{+0.000} / _{-0.002} | 3.125 ^{+0.003} / _{+0.000} | 44.56 |
| U31-2.75V | 2-3/4 | 3-3/8 | 5/16 | .344 ^{+0.015} / _{+0.000} | 2.750 ^{+0.000} / _{-0.002} | 2.752 ^{+0.003} / _{+0.000} | 3.375 ^{+0.004} / _{+0.000} | 2.750 ^{+0.000} / _{-0.004} | 3.373 ^{+0.000} / _{-0.002} | 3.375 ^{+0.003} / _{+0.000} | 52.71 |
| U31-2.75-50BV | 2-3/4 | 3-3/8 | 1/2 | .550 ^{+0.015} / _{+0.000} | 2.750 ^{+0.000} / _{-0.002} | 2.752 ^{+0.003} / _{+0.000} | 3.375 ^{+0.004} / _{+0.000} | 2.750 ^{+0.000} / _{-0.004} | 3.373 ^{+0.000} / _{-0.002} | 3.375 ^{+0.003} / _{+0.000} | 55.57 |
| U31-3.00V | 3 | 3-5/8 | 5/16 | .344 ^{+0.015} / _{+0.000} | 3.000 ^{+0.000} / _{-0.002} | 3.002 ^{+0.003} / _{+0.000} | 3.625 ^{+0.004} / _{+0.000} | 3.000 ^{+0.000} / _{-0.004} | 3.623 ^{+0.000} / _{-0.002} | 3.625 ^{+0.003} / _{+0.000} | 54.87 |
| U31-3.25V | 3-1/4 | 3-7/8 | 5/16 | .344 ^{+0.015} / _{+0.000} | 3.250 ^{+0.000} / _{-0.002} | 3.252 ^{+0.003} / _{+0.000} | 3.875 ^{+0.004} / _{+0.000} | 3.250 ^{+0.000} / _{-0.004} | 3.873 ^{+0.000} / _{-0.002} | 3.875 ^{+0.003} / _{+0.000} | 58.72 |
| U31-3.50V | 3-1/2 | 4-1/8 | 5/16 | .344 ^{+0.015} / _{+0.000} | 3.500 ^{+0.000} / _{-0.002} | 3.502 ^{+0.003} / _{+0.000} | 4.125 ^{+0.004} / _{+0.000} | 3.500 ^{+0.000} / _{-0.004} | 4.123 ^{+0.000} / _{-0.002} | 4.125 ^{+0.003} / _{+0.000} | 63.40 |
| U31-3.62V | 3-5/8 | 4-1/4 | 5/16 | .344 ^{+0.015} / _{+0.000} | 3.625 ^{+0.000} / _{-0.002} | 3.626 ^{+0.003} / _{+0.000} | 4.250 ^{+0.004} / _{+0.000} | 3.625 ^{+0.000} / _{-0.004} | 4.249 ^{+0.000} / _{-0.002} | 4.250 ^{+0.003} / _{+0.000} | 66.33 |
| U31-4.00V | 4 | 4-5/8 | 5/16 | .344 ^{+0.015} / _{+0.000} | 4.000 ^{+0.000} / _{-0.002} | 4.002 ^{+0.003} / _{+0.000} | 4.625 ^{+0.004} / _{+0.000} | 4.000 ^{+0.000} / _{-0.004} | 4.623 ^{+0.000} / _{-0.002} | 4.625 ^{+0.003} / _{+0.000} | 75.11 |
| U31-4.37V | 4-3/8 | 5 | 5/16 | .344 ^{+0.015} / _{+0.000} | 4.375 ^{+0.000} / _{-0.002} | 4.377 ^{+0.003} / _{+0.000} | 5.000 ^{+0.004} / _{+0.000} | 4.375 ^{+0.000} / _{-0.004} | 4.998 ^{+0.000} / _{-0.002} | 5.000 ^{+0.003} / _{+0.000} | 76.11 |
| U31-4.37-50DV | 4-3/8 | 5 | 1/2 | .550 ^{+0.015} / _{+0.000} | 4.375 ^{+0.000} / _{-0.002} | 4.377 ^{+0.003} / _{+0.000} | 5.000 ^{+0.004} / _{+0.000} | 4.375 ^{+0.000} / _{-0.004} | 4.998 ^{+0.000} / _{-0.002} | 5.000 ^{+0.003} / _{+0.000} | 84.44 |
| U31-5.37V | 5-3/8 | 6 | 5/16 | .344 ^{+0.015} / _{+0.000} | 5.375 ^{+0.000} / _{-0.002} | 5.377 ^{+0.003} / _{+0.000} | 6.000 ^{+0.004} / _{+0.000} | 5.375 ^{+0.000} / _{-0.004} | 5.998 ^{+0.000} / _{-0.002} | 6.000 ^{+0.003} / _{+0.000} | 89.80 |
| U31-6.37V | 6-3/8 | 7 | 5/16 | .344 ^{+0.015} / _{+0.000} | 6.375 ^{+0.000} / _{-0.002} | 6.377 ^{+0.003} / _{+0.000} | 7.000 ^{+0.004} / _{+0.000} | 6.375 ^{+0.000} / _{-0.004} | 6.998 ^{+0.000} / _{-0.002} | 7.000 ^{+0.003} / _{+0.000} | 113.00 |
| U31-7.37V | 7-3/8 | 8 | 5/16 | .344 ^{+0.015} / _{+0.000} | 7.375 ^{+0.000} / _{-0.002} | 7.377 ^{+0.003} / _{+0.000} | 8.000 ^{+0.004} / _{+0.000} | 7.375 ^{+0.000} / _{-0.004} | 7.998 ^{+0.000} / _{-0.002} | 8.000 ^{+0.003} / _{+0.000} | 117.46 |
| 3/8" C/S | | | | | | | | | | | |
| U37-1.75-62BV | 1-3/4 | 2-1/2 | 5/8 | .688 ^{+0.015} / _{+0.000} | 1.750 ^{+0.000} / _{-0.002} | 1.752 ^{+0.004} / _{+0.000} | 2.500 ^{+0.005} / _{+0.000} | 1.750 ^{+0.000} / _{-0.005} | 2.498 ^{+0.000} / _{-0.002} | 2.500 ^{+0.004} / _{+0.000} | \$52.17 |

FORMERLY LISTED SEALS ARE AVAILABLE ONLINE AT WWW.HERCULESUS.COM
OR BY CONTACTING YOUR REGIONAL HERCULES SALES TEAM.



STYLE 800 FLUOROCARBON U-SEALS

U-SEALS

| Part Number | A Nom. ID | B Nom. OD | C Nom. Ht | D GROOVE WIDTH | E ROD DIAMETER | F THROAT DIAMETER | G HOUSING DIAMETER | H GROOVE DIAMETER | I PISTON DIAMETER | J BORE DIAMETER | List Price |
|-----------------|--------------|--------------|--------------|--------------------------|---------------------------|---------------------------|----------------------------|---------------------------|---------------------------|----------------------------|---------------|
| U37-2.75-62BV | 2-3/4 | 3-1/2 | 5/8 | .688 +0.015 +0.000 | 2.750 +0.000 -0.002 | 2.752 +0.004 +0.000 | 3.500 +0.005 +0.000 | 2.750 +0.000 -0.005 | 3.498 +0.000 -0.002 | 3.500 +0.004 +0.000 | 77.22 |
| U37-3.00-62BV | 3 | 3-3/4 | 5/8 | .688 +0.015 +0.000 | 3.000 +0.000 -0.002 | 3.002 +0.004 +0.000 | 3.750 +0.005 +0.000 | 3.000 +0.000 -0.005 | 3.748 +0.000 -0.002 | 3.750 +0.004 +0.000 | 80.11 |
| U37-3.25V | 3-1/4 | 4 | 3/8 | .413 +0.015 +0.000 | 3.250 +0.000 -0.002 | 3.252 +0.004 +0.000 | 4.000 +0.005 +0.000 | 3.250 +0.000 -0.005 | 3.998 +0.000 -0.002 | 4.000 +0.004 +0.000 | 77.04 |
| U37-3.50-62BV | 3-1/2 | 4-1/4 | 5/8 | .688 +0.015 +0.000 | 3.500 +0.000 -0.002 | 3.502 +0.004 +0.000 | 4.250 +0.005 +0.000 | 3.500 +0.000 -0.005 | 4.248 +0.000 -0.002 | 4.250 +0.004 +0.000 | 91.04 |
| U37-3.75-62BV | 3-3/4 | 4-1/2 | 5/8 | .688 +0.015 +0.000 | 3.750 +0.000 -0.002 | 3.752 +0.004 +0.000 | 4.500 +0.005 +0.000 | 3.750 +0.000 -0.005 | 4.498 +0.000 -0.002 | 4.500 +0.004 +0.000 | 97.08 |
| U37-4.00-62BV | 4 | 4-3/4 | 5/8 | .688 +0.015 +0.000 | 4.000 +0.000 -0.002 | 4.002 +0.004 +0.000 | 4.750 +0.005 +0.000 | 4.000 +0.000 -0.005 | 4.748 +0.000 -0.002 | 4.750 +0.004 +0.000 | 103.00 |
| U37-4.25V | 4-1/4 | 5 | 3/8 | .413 +0.015 +0.000 | 4.250 +0.000 -0.002 | 4.252 +0.004 +0.000 | 5.000 +0.005 +0.000 | 4.250 +0.000 -0.005 | 4.998 +0.000 -0.002 | 5.000 +0.004 +0.000 | 98.50 |
| U37-4.25-62DV | 4-1/4 | 5 | 5/8 | .688 +0.015 +0.000 | 4.250 +0.000 -0.002 | 4.252 +0.004 +0.000 | 5.000 +0.005 +0.000 | 4.250 +0.000 -0.005 | 4.998 +0.000 -0.002 | 5.000 +0.004 +0.000 | 107.76 |
| U37-4.50-62BV | 4-1/2 | 5-1/4 | 5/8 | .688 +0.015 +0.000 | 4.500 +0.000 -0.002 | 4.502 +0.004 +0.000 | 5.250 +0.005 +0.000 | 4.500 +0.000 -0.005 | 5.248 +0.000 -0.002 | 5.250 +0.004 +0.000 | 113.06 |
| U37-4.75-62BV | 4-3/4 | 5-1/2 | 5/8 | .688 +0.015 +0.000 | 4.750 +0.000 -0.002 | 4.752 +0.004 +0.000 | 5.500 +0.005 +0.000 | 4.750 +0.000 -0.005 | 5.498 +0.000 -0.002 | 5.500 +0.004 +0.000 | 121.42 |
| U37-5.00V | 5 | 5-3/4 | 3/8 | .413 +0.015 +0.000 | 5.000 +0.000 -0.002 | 5.002 +0.004 +0.000 | 5.750 +0.005 +0.000 | 5.000 +0.000 -0.005 | 5.748 +0.000 -0.002 | 5.750 +0.004 +0.000 | 119.79 |
| U37-5.00-62BV | 5 | 5-3/4 | 5/8 | .688 +0.015 +0.000 | 5.000 +0.000 -0.002 | 5.002 +0.004 +0.000 | 5.750 +0.005 +0.000 | 5.000 +0.000 -0.005 | 5.748 +0.000 -0.002 | 5.750 +0.004 +0.000 | 123.92 |
| U37-5.25V | 5-1/4 | 6 | 3/8 | .413 +0.015 +0.000 | 5.250 +0.000 -0.002 | 5.252 +0.004 +0.000 | 6.000 +0.005 +0.000 | 5.250 +0.000 -0.005 | 5.998 +0.000 -0.002 | 6.000 +0.004 +0.000 | 123.78 |
| U37-5.25-62DV | 5-1/4 | 6 | 5/8 | .688 +0.015 +0.000 | 5.250 +0.000 -0.002 | 5.252 +0.004 +0.000 | 6.000 +0.005 +0.000 | 5.250 +0.000 -0.005 | 5.998 +0.000 -0.002 | 6.000 +0.004 +0.000 | 129.23 |
| U37-5.50V | 5-1/2 | 6-1/4 | 3/8 | .413 +0.015 +0.000 | 5.500 +0.000 -0.002 | 5.502 +0.004 +0.000 | 6.250 +0.005 +0.000 | 5.500 +0.000 -0.005 | 6.248 +0.000 -0.002 | 6.250 +0.004 +0.000 | 130.36 |
| U37-5.50-62BV | 5-1/2 | 6-1/4 | 5/8 | .688 +0.015 +0.000 | 5.500 +0.000 -0.002 | 5.502 +0.004 +0.000 | 6.250 +0.005 +0.000 | 5.500 +0.000 -0.005 | 6.248 +0.000 -0.002 | 6.250 +0.004 +0.000 | 134.24 |
| U37-6.00-62BV | 6 | 6-3/4 | 5/8 | .688 +0.015 +0.000 | 6.000 +0.000 -0.002 | 6.002 +0.004 +0.000 | 6.750 +0.005 +0.000 | 6.000 +0.000 -0.005 | 6.748 +0.000 -0.002 | 6.750 +0.004 +0.000 | 143.15 |
| U37-6.25V | 6-1/4 | 7 | 3/8 | .413 +0.015 +0.000 | 6.250 +0.000 -0.002 | 6.252 +0.004 +0.000 | 7.000 +0.005 +0.000 | 6.250 +0.000 -0.005 | 6.998 +0.000 -0.002 | 7.000 +0.004 +0.000 | 148.54 |
| U37-6.25-50DV | 6-1/4 | 7 | 1/2 | .550 +0.015 +0.000 | 6.250 +0.000 -0.002 | 6.252 +0.004 +0.000 | 7.000 +0.005 +0.000 | 6.250 +0.000 -0.005 | 6.998 +0.000 -0.002 | 7.000 +0.004 +0.000 | 147.19 |
| U37-6.25-62BV | 6-1/4 | 7 | 5/8 | .688 +0.015 +0.000 | 6.250 +0.000 -0.002 | 6.252 +0.004 +0.000 | 7.000 +0.005 +0.000 | 6.250 +0.000 -0.005 | 6.998 +0.000 -0.002 | 7.000 +0.004 +0.000 | 147.19 |
| U37-6.50V | 6-1/2 | 7-1/4 | 3/8 | .413 +0.015 +0.000 | 6.500 +0.000 -0.002 | 6.502 +0.004 +0.000 | 7.250 +0.005 +0.000 | 6.500 +0.000 -0.005 | 7.248 +0.000 -0.002 | 7.250 +0.004 +0.000 | 180.91 |
| U37-7.25V | 7-1/4 | 8 | 3/8 | .413 +0.015 +0.000 | 7.250 +0.000 -0.002 | 7.252 +0.004 +0.000 | 8.000 +0.005 +0.000 | 7.250 +0.000 -0.005 | 7.998 +0.000 -0.002 | 8.000 +0.004 +0.000 | 153.45 |
| U37-7.25-62DV | 7-1/4 | 8 | 5/8 | .688 +0.015 +0.000 | 7.250 +0.000 -0.002 | 7.252 +0.004 +0.000 | 8.000 +0.005 +0.000 | 7.250 +0.000 -0.005 | 7.998 +0.000 -0.002 | 8.000 +0.004 +0.000 | 170.26 |
| U37-9.25V | 9-1/4 | 10 | 3/8 | .413 +0.015 +0.000 | 9.250 +0.000 -0.002 | 9.252 +0.004 +0.000 | 10.000 +0.005 +0.000 | 9.250 +0.000 -0.005 | 9.998 +0.000 -0.002 | 10.000 +0.004 +0.000 | 189.22 |
| 1/2" C/S | | | | | | | | | | | |
| U50-4.00V | 4 | 5 | 1/2 | .550 +0.015 +0.000 | 4.000 +0.000 -0.003 | 4.002 +0.004 +0.000 | 5.000 +0.007 +0.000 | 4.000 +0.000 -0.007 | 4.998 +0.000 -0.002 | 5.000 +0.005 +0.000 | \$127.22 |
| U50-5.00V | 5 | 6 | 1/2 | .550 +0.015 +0.000 | 5.000 +0.000 -0.003 | 5.002 +0.004 +0.000 | 6.000 +0.007 +0.000 | 5.000 +0.000 -0.007 | 5.998 +0.000 -0.002 | 6.000 +0.005 +0.000 | 155.36 |
| U50-6.00V | 6 | 7 | 1/2 | .550 +0.015 +0.000 | 6.000 +0.000 -0.003 | 6.002 +0.004 +0.000 | 7.000 +0.007 +0.000 | 6.000 +0.000 -0.007 | 6.998 +0.000 -0.002 | 7.000 +0.005 +0.000 | 186.30 |
| U50-6.00-75DV | 6 | 7 | 3/4 | .825 +0.015 +0.000 | 6.000 +0.000 -0.003 | 6.002 +0.004 +0.000 | 7.000 +0.007 +0.000 | 6.000 +0.000 -0.007 | 6.998 +0.000 -0.002 | 7.000 +0.005 +0.000 | 207.33 |
| U50-7.00V | 7 | 8 | 1/2 | .550 +0.015 +0.000 | 7.000 +0.000 -0.003 | 7.002 +0.004 +0.000 | 8.000 +0.007 +0.000 | 7.000 +0.000 -0.007 | 7.998 +0.000 -0.002 | 8.000 +0.005 +0.000 | 191.28 |
| U50-8.00V | 8 | 9 | 1/2 | .550 +0.015 +0.000 | 8.000 +0.000 -0.003 | 8.002 +0.004 +0.000 | 9.000 +0.007 +0.000 | 8.000 +0.000 -0.007 | 8.998 +0.000 -0.002 | 9.000 +0.005 +0.000 | 213.36 |
| U50-9.00V | 9 | 10 | 1/2 | .550 +0.015 +0.000 | 9.000 +0.000 -0.003 | 9.002 +0.004 +0.000 | 10.000 +0.007 +0.000 | 9.000 +0.000 -0.007 | 9.998 +0.000 -0.002 | 10.000 +0.005 +0.000 | 237.44 |

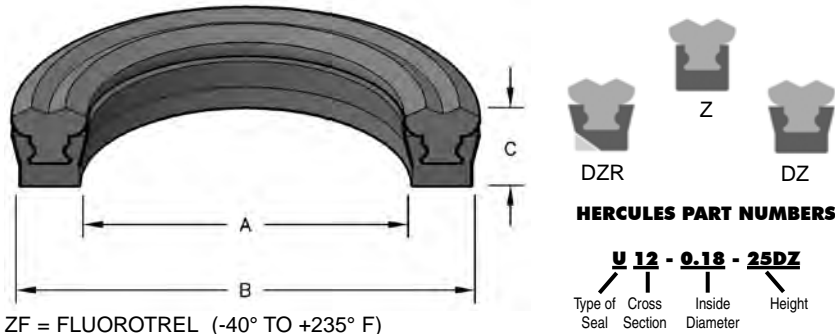
NORTH AMERICA
PHONE 1-800-777-5617
FAX 1-800-759-6391

SALES OFFICE HOURS
8 A.M. TO 7:30 P.M. EASTERN TIME
www.HerculesUS.com

WORLDWIDE
PHONE 1-727-796-1300
FAX 1-727-797-8849

Z-SEALS

The Z-Seal™ is a squeeze type seal, combining the excellent sealability and low compression set of a resilient rubber lip with the greater anti-extrusion characteristics of a hard thermoplastic base. Under low pressure conditions, the sealing lip provides its own compressive seal force. As pressure increases, hydrostatic pressure is mechanically transmitted through the elastomeric seal element into the anti-extrusion base. The applied force then deflects radially in a controlled manner, closing the extrusion gap behind the sealing lip. Under this condition, maximum sealing effectiveness is achieved.

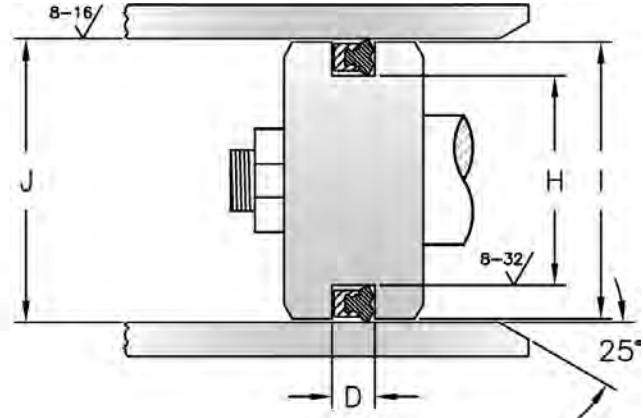
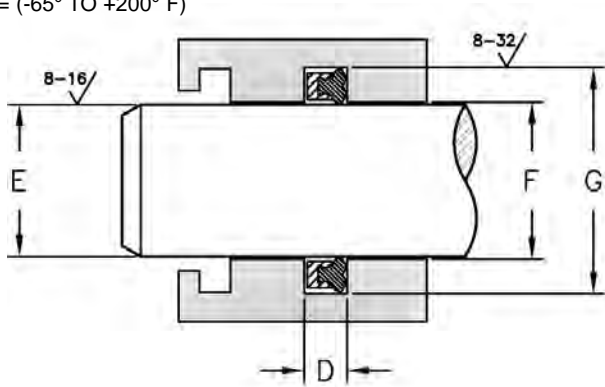


| SEAL INFORMATION | |
|-------------------|------------------------------------|
| MATERIAL | 95A URETHANE 70A NITRILE RUBBER |
| TEMPERATURE RANGE | -40° TO +200° F |
| PRESSURE RANGE | 0 TO 5,000 PSI |
| SPEED | 3 FT/SEC |

ZF = FLUOROTREL (-40° TO +235° F)

ZL = LOW TEMPERATURE NITRILE SEALING LIP (-65° TO +200° F)

ZLF = (-65° TO +200° F)



| Part Number | A Nom. ID | B Nom. OD | C Nom. Ht | D GROOVE WIDTH | E ROD DIAMETER | F THROAT DIAMETER | G HOUSING DIAMETER | H GROOVE DIAMETER | I PISTON DIAMETER | J BORE DIAMETER | C HEIGHT | List Price |
|-----------------|-----------|-----------|-----------|-------------------------|---------------------------|--------------------------|--------------------------|---------------------------|---------------------------|---------------------------|-------------------------|------------|
| 1/8" C/S | | | | | | | | | | | | |
| U12-0.18-25DZ | 3/16 | 7/16 | 1/4 | .275 +.015 +0.000 | .187 +0.000 -0.001 | .188 +.002 +0.000 | .438 +.002 +0.000 | .187 +0.000 -0.002 | .437 +0.000 -0.001 | .438 +0.002 +0.000 | .198 +.060 -0.008 | \$5.65 |
| U12-0.50-25DZ | 1/2 | 3/4 | 1/4 | .275 +.015 +0.000 | .500 +0.000 -0.001 | .501 +.002 +0.000 | .750 +.002 +0.000 | .500 +0.000 -0.002 | .749 +0.000 -0.001 | .750 +0.002 +0.000 | .198 +.060 -0.008 | 6.56 |
| U12-0.75-18DZL | 3/4 | 1 | 3/16 | .207 +.015 +0.000 | .750 +0.000 -0.001 | .751 +.002 +0.000 | 1.000 +.002 +0.000 | .750 +0.000 -0.002 | .999 +0.000 -0.001 | 1.000 +0.002 +0.000 | .187 ±.008 | 7.14 |
| U12-0.75-25DZL | 3/4 | 1 | 1/4 | .275 +.015 +0.000 | .750 +0.000 -0.001 | .751 +.002 +0.000 | 1.000 +.002 +0.000 | .750 +0.000 -0.002 | .999 +0.000 -0.001 | 1.000 +0.002 +0.000 | .198 +.060 -0.008 | 7.28 |
| U12-0.87-25DZL | 7/8 | 1-1/8 | 1/4 | .275 +.015 +0.000 | .875 +0.000 -0.001 | .876 +.002 +0.000 | 1.125 +.002 +0.000 | .875 +0.000 -0.002 | 1.124 +0.000 -0.001 | 1.125 +0.002 +0.000 | .198 +.060 -0.008 | 7.71 |
| U12-0.87-25Z | 7/8 | 1-1/8 | 1/4 | .275 +.015 +0.000 | .875 +0.000 -0.001 | .876 +.002 +0.000 | 1.125 +.002 +0.000 | .875 +0.000 -0.002 | 1.124 +0.000 -0.001 | 1.125 +0.002 +0.000 | .250 ±.008 | 7.89 |
| U12-1.00-25DZ | 1 | 1-1/4 | 1/4 | .275 +.015 +0.000 | 1.000 +0.000 -0.001 | 1.001 +.002 +0.000 | 1.250 +.002 +0.000 | 1.000 +0.000 -0.002 | 1.249 +0.000 -0.001 | 1.250 +0.002 +0.000 | .198 +.060 -0.008 | 8.02 |
| U12-1.00-25DZLF | 1 | 1-1/4 | 1/4 | .275 +.015 +0.000 | 1.000 +0.000 -0.001 | 1.001 +.002 +0.000 | 1.250 +.002 +0.000 | 1.000 +0.000 -0.002 | 1.249 +0.000 -0.001 | 1.250 +0.002 +0.000 | .198 +.060 -0.008 | 8.93 |
| U12-1.12-25DZ | 1-1/8 | 1-3/8 | 1/4 | .275 +.015 +0.000 | 1.125 +0.000 -0.001 | 1.126 +.002 +0.000 | 1.375 +.002 +0.000 | 1.125 +0.000 -0.002 | 1.374 +0.000 -0.001 | 1.375 +0.002 +0.000 | .198 +.060 -0.008 | 8.36 |
| U12-1.25-25DZ | 1-1/4 | 1-1/2 | 1/4 | .275 +.015 +0.000 | 1.250 +0.000 -0.001 | 1.251 +.002 +0.000 | 1.500 +.002 +0.000 | 1.250 +0.000 -0.002 | 1.499 +0.000 -0.001 | 1.500 +0.002 +0.000 | .198 +.060 -0.008 | 8.86 |

FORMERLY LISTED SEALS ARE AVAILABLE ONLINE AT WWW.HERCULESUS.COM
OR BY CONTACTING YOUR REGIONAL HERCULES SALES TEAM.



Z-SEALS

U-SEALS

| Part Number | A Nom. ID | B Nom. OD | C Nom. Ht | D GROOVE WIDTH | E ROD DIAMETER | F THROAT DIAMETER | G HOUSING DIAMETER | H GROOVE DIAMETER | I PISTON DIAMETER | J BORE DIAMETER | C HEIGHT | List Price |
|------------------|-----------|-----------|-----------|--|---|---|---|---|---|---|--|------------|
| 5/32" C/S | | | | | | | | | | | | |
| U15-1.50-31DZ | 1-1/2 | 1-13/16 | 5/16 | .344 ^{+0.015} / _{+0.000} | 1.500 ^{+0.000} / _{-0.002} | 1.501 ^{+0.002} / _{+0.000} | 1.813 ^{+0.002} / _{+0.000} | 1.500 ^{+0.000} / _{-0.002} | 1.812 ^{+0.000} / _{-0.001} | 1.813 ^{+0.002} / _{+0.000} | .312 ±0.012 | \$ 13.17 |
| 3/16" C/S | | | | | | | | | | | | |
| U18-1.00-31DZL | 1 | 1-3/8 | 5/16 | .344 ^{+0.015} / _{+0.000} | 1.000 ^{+0.000} / _{-0.002} | 1.001 ^{+0.002} / _{+0.000} | 1.375 ^{+0.002} / _{+0.000} | 1.000 ^{+0.000} / _{-0.002} | 1.374 ^{+0.000} / _{-0.002} | 1.375 ^{+0.002} / _{+0.000} | .288 ^{+0.036} / _{-0.012} | \$ 8.58 |
| U18-1.00-31Z | 1 | 1-3/8 | 5/16 | .344 ^{+0.015} / _{+0.000} | 1.000 ^{+0.000} / _{-0.002} | 1.001 ^{+0.002} / _{+0.000} | 1.375 ^{+0.002} / _{+0.000} | 1.000 ^{+0.000} / _{-0.002} | 1.374 ^{+0.000} / _{-0.002} | 1.375 ^{+0.002} / _{+0.000} | .312 ±0.012 | 9.97 |
| U18-1.12-31DZ | 1-1/8 | 1-1/2 | 5/16 | .344 ^{+0.015} / _{+0.000} | 1.125 ^{+0.000} / _{-0.002} | 1.126 ^{+0.002} / _{+0.000} | 1.500 ^{+0.002} / _{+0.000} | 1.125 ^{+0.000} / _{-0.002} | 1.499 ^{+0.000} / _{-0.002} | 1.500 ^{+0.002} / _{+0.000} | .288 ^{+0.036} / _{-0.012} | 8.96 |
| U18-1.12-31Z | 1-1/8 | 1-1/2 | 5/16 | .344 ^{+0.015} / _{+0.000} | 1.125 ^{+0.000} / _{-0.002} | 1.126 ^{+0.002} / _{+0.000} | 1.500 ^{+0.002} / _{+0.000} | 1.125 ^{+0.000} / _{-0.002} | 1.499 ^{+0.000} / _{-0.002} | 1.500 ^{+0.002} / _{+0.000} | .312 ±0.012 | 10.26 |
| U18-1.18-31DZL | 1-3/16 | 1-9/16 | 5/16 | .344 ^{+0.015} / _{+0.000} | 1.187 ^{+0.000} / _{-0.002} | 1.188 ^{+0.002} / _{+0.000} | 1.563 ^{+0.002} / _{+0.000} | 1.187 ^{+0.000} / _{-0.002} | 1.562 ^{+0.000} / _{-0.002} | 1.563 ^{+0.002} / _{+0.000} | .288 ^{+0.036} / _{-0.012} | 9.46 |
| U18-1.25-31DZ | 1-1/4 | 1-5/8 | 5/16 | .344 ^{+0.015} / _{+0.000} | 1.250 ^{+0.000} / _{-0.002} | 1.251 ^{+0.002} / _{+0.000} | 1.625 ^{+0.002} / _{+0.000} | 1.250 ^{+0.000} / _{-0.002} | 1.624 ^{+0.000} / _{-0.002} | 1.625 ^{+0.002} / _{+0.000} | .288 ^{+0.036} / _{-0.012} | 9.96 |
| U18-1.25-31DZR | 1-1/4 | 1-5/8 | 5/16 | .344 ^{+0.015} / _{+0.000} | 1.250 ^{+0.000} / _{-0.002} | 1.251 ^{+0.002} / _{+0.000} | 1.625 ^{+0.002} / _{+0.000} | N/A | N/A | N/A | .288 ^{+0.036} / _{-0.012} | 26.68 |
| U18-1.25-31Z | 1-1/4 | 1-5/8 | 5/16 | .344 ^{+0.015} / _{+0.000} | 1.250 ^{+0.000} / _{-0.002} | 1.251 ^{+0.002} / _{+0.000} | 1.625 ^{+0.002} / _{+0.000} | 1.250 ^{+0.000} / _{-0.002} | 1.624 ^{+0.000} / _{-0.002} | 1.625 ^{+0.002} / _{+0.000} | .312 ±0.012 | 10.75 |
| U18-1.25-37DZLF | 1-1/4 | 1-5/8 | 3/8 | .413 ^{+0.015} / _{+0.000} | 1.250 ^{+0.000} / _{-0.002} | 1.251 ^{+0.002} / _{+0.000} | 1.625 ^{+0.002} / _{+0.000} | 1.250 ^{+0.000} / _{-0.002} | 1.624 ^{+0.000} / _{-0.002} | 1.625 ^{+0.002} / _{+0.000} | .352 ^{+0.035} / _{-0.012} | 13.17 |
| U18-1.25-37Z | 1-1/4 | 1-5/8 | 3/8 | .413 ^{+0.015} / _{+0.000} | 1.250 ^{+0.000} / _{-0.002} | 1.251 ^{+0.002} / _{+0.000} | 1.625 ^{+0.002} / _{+0.000} | 1.250 ^{+0.000} / _{-0.002} | 1.624 ^{+0.000} / _{-0.002} | 1.625 ^{+0.002} / _{+0.000} | .375 ±0.012 | 9.96 |
| U18-1.37-31DZ | 1-3/8 | 1-3/4 | 5/16 | .344 ^{+0.015} / _{+0.000} | 1.375 ^{+0.000} / _{-0.002} | 1.376 ^{+0.002} / _{+0.000} | 1.750 ^{+0.002} / _{+0.000} | 1.375 ^{+0.000} / _{-0.002} | 1.749 ^{+0.000} / _{-0.002} | 1.750 ^{+0.002} / _{+0.000} | .288 ^{+0.036} / _{-0.012} | 9.70 |
| U18-1.37-31DZLF | 1-3/8 | 1-3/4 | 5/16 | .344 ^{+0.015} / _{+0.000} | 1.375 ^{+0.000} / _{-0.002} | 1.376 ^{+0.002} / _{+0.000} | 1.750 ^{+0.002} / _{+0.000} | 1.375 ^{+0.000} / _{-0.002} | 1.749 ^{+0.000} / _{-0.002} | 1.750 ^{+0.002} / _{+0.000} | .288 ^{+0.036} / _{-0.012} | 10.82 |
| U18-1.50-31DZ | 1-1/2 | 1-7/8 | 5/16 | .344 ^{+0.015} / _{+0.000} | 1.500 ^{+0.000} / _{-0.002} | 1.501 ^{+0.002} / _{+0.000} | 1.875 ^{+0.002} / _{+0.000} | 1.500 ^{+0.000} / _{-0.002} | 1.874 ^{+0.000} / _{-0.002} | 1.875 ^{+0.002} / _{+0.000} | .288 ^{+0.036} / _{-0.012} | 8.51 |
| U18-1.50-37DZ | 1-1/2 | 1-7/8 | 3/8 | .413 ^{+0.015} / _{+0.000} | 1.500 ^{+0.000} / _{-0.002} | 1.501 ^{+0.002} / _{+0.000} | 1.875 ^{+0.002} / _{+0.000} | 1.500 ^{+0.000} / _{-0.002} | 1.874 ^{+0.000} / _{-0.002} | 1.875 ^{+0.002} / _{+0.000} | .352 ^{+0.035} / _{-0.012} | 9.39 |
| U18-1.50-37Z | 1-1/2 | 1-7/8 | 3/8 | .413 ^{+0.015} / _{+0.000} | 1.500 ^{+0.000} / _{-0.002} | 1.501 ^{+0.002} / _{+0.000} | 1.875 ^{+0.002} / _{+0.000} | 1.500 ^{+0.000} / _{-0.002} | 1.874 ^{+0.000} / _{-0.002} | 1.875 ^{+0.002} / _{+0.000} | .375 ±0.012 | 11.52 |
| U18-1.62-31DZL | 1-5/8 | 2 | 5/16 | .344 ^{+0.015} / _{+0.000} | 1.625 ^{+0.000} / _{-0.002} | 1.626 ^{+0.002} / _{+0.000} | 2.000 ^{+0.002} / _{+0.000} | 1.625 ^{+0.000} / _{-0.002} | 1.999 ^{+0.000} / _{-0.002} | 2.000 ^{+0.002} / _{+0.000} | .288 ^{+0.036} / _{-0.012} | 10.85 |
| U18-1.62-37Z | 1-5/8 | 2 | 3/8 | .413 ^{+0.015} / _{+0.000} | 1.625 ^{+0.000} / _{-0.002} | 1.626 ^{+0.002} / _{+0.000} | 2.000 ^{+0.002} / _{+0.000} | 1.625 ^{+0.000} / _{-0.002} | 1.999 ^{+0.000} / _{-0.002} | 2.000 ^{+0.002} / _{+0.000} | .375 ±0.012 | 12.27 |
| U18-1.75-25Z | 1-3/4 | 2-1/8 | 1/4 | .275 ^{+0.015} / _{+0.000} | 1.750 ^{+0.000} / _{-0.002} | 1.751 ^{+0.002} / _{+0.000} | 2.125 ^{+0.002} / _{+0.000} | 1.750 ^{+0.000} / _{-0.002} | 2.124 ^{+0.000} / _{-0.002} | 2.125 ^{+0.002} / _{+0.000} | .250 ±0.008 | 11.99 |
| U18-1.75-37DZ | 1-3/4 | 2-1/8 | 3/8 | .413 ^{+0.015} / _{+0.000} | 1.750 ^{+0.000} / _{-0.002} | 1.751 ^{+0.002} / _{+0.000} | 2.125 ^{+0.002} / _{+0.000} | 1.750 ^{+0.000} / _{-0.002} | 2.124 ^{+0.000} / _{-0.002} | 2.125 ^{+0.002} / _{+0.000} | .352 ^{+0.035} / _{-0.012} | 12.75 |
| U18-1.75-37DZLF | 1-3/4 | 2-1/8 | 3/8 | .413 ^{+0.010} / _{+0.000} | 1.750 ^{+0.000} / _{-0.002} | 1.751 ^{+0.003} / _{+0.000} | 2.125 ^{+0.002} / _{+0.000} | 1.750 ^{+0.000} / _{-0.002} | 2.124 ^{+0.000} / _{-0.002} | 2.125 ^{+0.002} / _{+0.000} | .352 ^{+0.035} / _{-0.012} | 11.59 |
| U18-1.75-37Z | 1-3/4 | 2-1/8 | 3/8 | .413 ^{+0.015} / _{+0.000} | 1.750 ^{+0.000} / _{-0.002} | 1.751 ^{+0.002} / _{+0.000} | 2.125 ^{+0.002} / _{+0.000} | 1.750 ^{+0.000} / _{-0.002} | 2.124 ^{+0.000} / _{-0.002} | 2.125 ^{+0.002} / _{+0.000} | .375 ±0.012 | 13.01 |
| U18-1.87-37Z | 1-7/8 | 2-1/4 | 3/8 | .413 ^{+0.015} / _{+0.000} | 1.875 ^{+0.000} / _{-0.002} | 1.876 ^{+0.002} / _{+0.000} | 2.250 ^{+0.002} / _{+0.000} | 1.875 ^{+0.000} / _{-0.002} | 2.249 ^{+0.000} / _{-0.002} | 2.250 ^{+0.002} / _{+0.000} | .375 ±0.012 | 13.76 |
| U18-2.00-25Z | 2 | 2-3/8 | 1/4 | .275 ^{+0.015} / _{+0.000} | 2.000 ^{+0.000} / _{-0.002} | 2.001 ^{+0.002} / _{+0.000} | 2.375 ^{+0.002} / _{+0.000} | 2.000 ^{+0.000} / _{-0.002} | 2.374 ^{+0.000} / _{-0.002} | 2.375 ^{+0.002} / _{+0.000} | .250 ±0.008 | 13.88 |
| U18-2.00-31DZL | 2 | 2-3/8 | 5/16 | .344 ^{+0.015} / _{+0.000} | 2.000 ^{+0.000} / _{-0.002} | 2.001 ^{+0.002} / _{+0.000} | 2.375 ^{+0.002} / _{+0.000} | 2.000 ^{+0.000} / _{-0.002} | 2.374 ^{+0.000} / _{-0.002} | 2.375 ^{+0.002} / _{+0.000} | .288 ^{+0.036} / _{-0.012} | 12.20 |
| U18-2.00-37DZL | 2 | 2-3/8 | 3/8 | .413 ^{+0.015} / _{+0.000} | 2.000 ^{+0.000} / _{-0.002} | 2.001 ^{+0.002} / _{+0.000} | 2.375 ^{+0.002} / _{+0.000} | 2.000 ^{+0.000} / _{-0.002} | 2.374 ^{+0.000} / _{-0.002} | 2.375 ^{+0.002} / _{+0.000} | .352 ^{+0.035} / _{-0.012} | 12.20 |
| U18-2.00-37Z | 2 | 2-3/8 | 3/8 | .413 ^{+0.015} / _{+0.000} | 2.000 ^{+0.000} / _{-0.002} | 2.001 ^{+0.002} / _{+0.000} | 2.375 ^{+0.002} / _{+0.000} | 2.000 ^{+0.000} / _{-0.002} | 2.374 ^{+0.000} / _{-0.002} | 2.375 ^{+0.002} / _{+0.000} | .375 ±0.012 | 14.49 |
| U18-2.25-37DZ | 2-1/4 | 2-5/8 | 3/8 | .413 ^{+0.015} / _{+0.000} | 2.250 ^{+0.000} / _{-0.002} | 2.251 ^{+0.002} / _{+0.000} | 2.625 ^{+0.002} / _{+0.000} | 2.250 ^{+0.000} / _{-0.002} | 2.624 ^{+0.000} / _{-0.002} | 2.625 ^{+0.002} / _{+0.000} | .352 ^{+0.035} / _{-0.012} | 12.99 |
| U18-2.25-37DZF | 2-1/4 | 2-5/8 | 3/8 | .413 ^{+0.015} / _{+0.000} | 2.250 ^{+0.000} / _{-0.002} | 2.251 ^{+0.002} / _{+0.000} | 2.625 ^{+0.002} / _{+0.000} | 2.250 ^{+0.000} / _{-0.002} | 2.624 ^{+0.000} / _{-0.002} | 2.625 ^{+0.002} / _{+0.000} | .352 ^{+0.035} / _{-0.012} | 11.45 |
| U18-2.37-31DZL | 2-3/8 | 2-3/4 | 5/16 | .344 ^{+0.015} / _{+0.000} | 2.375 ^{+0.000} / _{-0.002} | 2.376 ^{+0.002} / _{+0.000} | 2.750 ^{+0.002} / _{+0.000} | 2.375 ^{+0.000} / _{-0.002} | 2.749 ^{+0.000} / _{-0.002} | 2.750 ^{+0.002} / _{+0.000} | .288 ^{+0.036} / _{-0.012} | 17.85 |
| U18-2.50-37Z | 2-1/2 | 2-7/8 | 3/8 | .413 ^{+0.015} / _{+0.000} | 2.500 ^{+0.000} / _{-0.002} | 2.501 ^{+0.002} / _{+0.000} | 2.875 ^{+0.002} / _{+0.000} | 2.500 ^{+0.000} / _{-0.002} | 2.874 ^{+0.000} / _{-0.002} | 2.875 ^{+0.002} / _{+0.000} | .375 ±0.012 | 17.51 |



Z-SEALS

| Part Number | A Nom. ID | B Nom. OD | C Nom. Ht | D GROOVE WIDTH | E ROD DIAMETER | F THROAT DIAMETER | G HOUSING DIAMETER | H GROOVE DIAMETER | I PISTON DIAMETER | J BORE DIAMETER | C HEIGHT | List Price |
|-----------------|-----------|-----------|-----------|--|--|--|--|--|--|--|--|------------|
| U31-1.87-50Z | 1-7/8 | 2-1/2 | 1/2 | .550 ^{+0.015} / _{+0.000} | 1.875 ^{+0.000} / _{-0.002} | 1.877 ^{+0.003} / _{+0.000} | 2.500 ^{+0.004} / _{+0.000} | 1.875 ^{+0.000} / _{-0.004} | 2.498 ^{+0.000} / _{-0.002} | 2.500 ^{+0.003} / _{+0.000} | .500 ±.012 | 18.22 |
| U31-2.50-50DZL | 2-1/2 | 3-1/8 | 1/2 | .550 ^{+0.015} / _{+0.000} | 2.500 ^{+0.000} / _{-0.002} | 2.502 ^{+0.003} / _{+0.000} | 3.125 ^{+0.004} / _{+0.000} | 2.500 ^{+0.000} / _{-0.004} | 3.123 ^{+0.000} / _{-0.002} | 3.125 ^{+0.003} / _{+0.000} | .481 ^{+0.031} / _{-0.012} | 19.24 |
| U31-3.00-50DZLF | 3 | 3-5/8 | 1/2 | .550 ^{+0.015} / _{+0.000} | 3.000 ^{+0.000} / _{-0.002} | 3.002 ^{+0.003} / _{+0.000} | 3.625 ^{+0.004} / _{+0.000} | 3.000 ^{+0.000} / _{-0.004} | 3.623 ^{+0.000} / _{-0.002} | 3.625 ^{+0.003} / _{+0.000} | .481 ^{+0.031} / _{-0.012} | 28.37 |
| U31-3.50-50DZ | 3-1/2 | 4-1/8 | 1/2 | .550 ^{+0.015} / _{+0.000} | 3.500 ^{+0.000} / _{-0.002} | 3.502 ^{+0.003} / _{+0.000} | 4.125 ^{+0.004} / _{+0.000} | 3.500 ^{+0.000} / _{-0.004} | 4.123 ^{+0.000} / _{-0.002} | 4.125 ^{+0.003} / _{+0.000} | .481 ^{+0.031} / _{-0.012} | 27.55 |
| U31-4.50-62DZLF | 4-1/2 | 5-1/8 | 5/8 | .688 ^{+0.015} / _{+0.000} | 4.500 ^{+0.000} / _{-0.002} | 4.502 ^{+0.003} / _{+0.000} | 5.125 ^{+0.004} / _{+0.000} | 4.500 ^{+0.000} / _{-0.004} | 5.123 ^{+0.000} / _{-0.002} | 5.125 ^{+0.003} / _{+0.000} | .625 ±.016 | 48.54 |
| U31-4.50-62Z | 4-1/2 | 5-1/8 | 5/8 | .688 ^{+0.015} / _{+0.000} | 4.500 ^{+0.000} / _{-0.002} | 4.502 ^{+0.003} / _{+0.000} | 5.125 ^{+0.004} / _{+0.000} | 4.500 ^{+0.000} / _{-0.004} | 5.123 ^{+0.000} / _{-0.002} | 5.125 ^{+0.003} / _{+0.000} | .625 ±.016 | 36.54 |
| U31-7.00-62DZ | 7 | 7-5/8 | 5/8 | .688 ^{+0.015} / _{+0.000} | 7.000 ^{+0.000} / _{-0.002} | 7.002 ^{+0.003} / _{+0.000} | 7.625 ^{+0.004} / _{+0.000} | 7.000 ^{+0.000} / _{-0.004} | 7.623 ^{+0.000} / _{-0.002} | 7.625 ^{+0.003} / _{+0.000} | .559 ±.016 | 154.27 |
| U31-7.00-62DZR | 7 | 7-5/8 | 5/8 | .688 ^{+0.100} / _{+0.000} | 7.000 ^{+0.000} / _{-0.002} | 7.002 ^{+0.003} / _{+0.000} | 7.625 ^{+0.004} / _{+0.000} | N/A | N/A | N/A | .577 ^{+0.064} / _{-0.016} | 281.61 |
| U31-10.50-62DZ | 10-1/2 | 11-1/8 | 5/8 | .688 ^{+0.015} / _{+0.000} | 10.500 ^{+0.000} / _{-0.002} | 10.502 ^{+0.003} / _{+0.000} | 11.125 ^{+0.004} / _{+0.000} | 10.500 ^{+0.000} / _{-0.004} | 11.123 ^{+0.000} / _{-0.002} | 11.125 ^{+0.003} / _{+0.000} | .559 ±.016 | 287.44 |
| U31-10.50-62DZR | 10-1/2 | 11-1/8 | 5/8 | .688 ^{+0.010} / _{+0.000} | 10.500 ^{+0.000} / _{-0.002} | 10.502 ^{+0.003} / _{+0.000} | 11.125 ^{+0.004} / _{+0.000} | N/A | N/A | N/A | .577 ^{+0.064} / _{-0.016} | 379.25 |
| U31-13.00-62DZR | 13 | 13-5/8 | 5/8 | .688 ^{+0.015} / _{+0.000} | 13.000 ^{+0.000} / _{-0.002} | 13.002 ^{+0.003} / _{+0.000} | 13.625 ^{+0.004} / _{+0.000} | N/A | N/A | N/A | .559 ±.016 | 403.87 |
| 3/8" C/S | | | | | | | | | | | | |
| U37-1.75-62Z | 1-3/4 | 2-1/2 | 5/8 | .688 ^{+0.015} / _{+0.000} | 1.750 ^{+0.000} / _{-0.002} | 1.752 ^{+0.004} / _{+0.000} | 2.500 ^{+0.005} / _{+0.000} | 1.750 ^{+0.000} / _{-0.005} | 2.498 ^{+0.000} / _{-0.002} | 2.500 ^{+0.004} / _{+0.000} | .625 ±.016 | \$21.13 |
| U37-2.25-62Z | 2-1/4 | 3 | 5/8 | .688 ^{+0.015} / _{+0.000} | 2.250 ^{+0.000} / _{-0.002} | 2.252 ^{+0.004} / _{+0.000} | 3.000 ^{+0.005} / _{+0.000} | 2.250 ^{+0.000} / _{-0.005} | 2.998 ^{+0.000} / _{-0.002} | 3.000 ^{+0.004} / _{+0.000} | .625 ±.016 | 22.22 |
| U37-2.50-62DZ | 2-1/2 | 3-1/4 | 5/8 | .688 ^{+0.015} / _{+0.000} | 2.500 ^{+0.000} / _{-0.002} | 2.502 ^{+0.004} / _{+0.000} | 3.250 ^{+0.005} / _{+0.000} | 2.500 ^{+0.000} / _{-0.005} | 3.248 ^{+0.000} / _{-0.002} | 3.250 ^{+0.004} / _{+0.000} | .577 ^{+0.064} / _{-0.016} | 25.37 |
| U37-2.50-62Z | 2-1/2 | 3-1/4 | 5/8 | .688 ^{+0.015} / _{+0.000} | 2.500 ^{+0.000} / _{-0.002} | 2.502 ^{+0.004} / _{+0.000} | 3.250 ^{+0.005} / _{+0.000} | 2.500 ^{+0.000} / _{-0.005} | 3.248 ^{+0.000} / _{-0.002} | 3.250 ^{+0.004} / _{+0.000} | .625 ±.016 | 22.72 |
| U37-2.62-62Z | 2-5/8 | 3-3/8 | 5/8 | .688 ^{+0.015} / _{+0.000} | 2.625 ^{+0.000} / _{-0.002} | 2.627 ^{+0.004} / _{+0.000} | 3.375 ^{+0.005} / _{+0.000} | 2.625 ^{+0.000} / _{-0.005} | 3.373 ^{+0.000} / _{-0.002} | 3.375 ^{+0.004} / _{+0.000} | .625 ±.016 | 29.85 |
| U37-2.75-62Z | 2-3/4 | 3-1/2 | 5/8 | .688 ^{+0.015} / _{+0.000} | 2.750 ^{+0.000} / _{-0.002} | 2.752 ^{+0.004} / _{+0.000} | 3.500 ^{+0.005} / _{+0.000} | 2.750 ^{+0.000} / _{-0.005} | 3.498 ^{+0.000} / _{-0.002} | 3.500 ^{+0.004} / _{+0.000} | .625 ±.016 | 24.71 |
| U37-3.00-62Z | 3 | 3-3/4 | 5/8 | .688 ^{+0.015} / _{+0.000} | 3.000 ^{+0.000} / _{-0.002} | 3.002 ^{+0.004} / _{+0.000} | 3.750 ^{+0.005} / _{+0.000} | 3.000 ^{+0.000} / _{-0.005} | 3.748 ^{+0.000} / _{-0.002} | 3.750 ^{+0.004} / _{+0.000} | .625 ±.016 | 25.29 |
| U37-3.25-62Z | 3-1/4 | 4 | 5/8 | .688 ^{+0.015} / _{+0.000} | 3.250 ^{+0.000} / _{-0.002} | 3.252 ^{+0.004} / _{+0.000} | 4.000 ^{+0.005} / _{+0.000} | 3.250 ^{+0.000} / _{-0.005} | 3.998 ^{+0.000} / _{-0.002} | 4.000 ^{+0.004} / _{+0.000} | .625 ±.016 | 28.62 |
| U37-3.50-62DZ | 3-1/2 | 4-1/4 | 5/8 | .688 ^{+0.015} / _{+0.000} | 3.500 ^{+0.000} / _{-0.002} | 3.502 ^{+0.004} / _{+0.000} | 4.250 ^{+0.005} / _{+0.000} | 3.500 ^{+0.000} / _{-0.005} | 4.248 ^{+0.000} / _{-0.002} | 4.250 ^{+0.004} / _{+0.000} | .577 ^{+0.064} / _{-0.016} | 34.32 |
| U37-3.62-62Z | 3-5/8 | 4-3/8 | 5/8 | .688 ^{+0.015} / _{+0.000} | 3.625 ^{+0.000} / _{-0.002} | 3.627 ^{+0.004} / _{+0.000} | 4.375 ^{+0.005} / _{+0.000} | 3.625 ^{+0.000} / _{-0.005} | 4.373 ^{+0.000} / _{-0.002} | 4.375 ^{+0.004} / _{+0.000} | .625 ±.016 | 39.99 |
| U37-3.75-62Z | 3-3/4 | 4-1/2 | 5/8 | .688 ^{+0.015} / _{+0.000} | 3.750 ^{+0.000} / _{-0.002} | 3.752 ^{+0.004} / _{+0.000} | 4.500 ^{+0.005} / _{+0.000} | 3.750 ^{+0.000} / _{-0.005} | 4.498 ^{+0.000} / _{-0.002} | 4.500 ^{+0.004} / _{+0.000} | .625 ±.016 | 32.66 |
| U37-4.00-62DZ | 4 | 4-3/4 | 5/8 | .688 ^{+0.015} / _{+0.000} | 4.000 ^{+0.000} / _{-0.002} | 4.002 ^{+0.004} / _{+0.000} | 4.750 ^{+0.005} / _{-0.750} | 4.000 ^{+0.000} / _{-0.005} | 4.748 ^{+0.000} / _{-0.002} | 4.750 ^{+0.004} / _{+0.000} | .577 ^{+0.064} / _{-0.016} | 42.54 |
| U37-4.00-62Z | 4 | 4-3/4 | 5/8 | .688 ^{+0.015} / _{+0.000} | 4.000 ^{+0.000} / _{-0.002} | 4.002 ^{+0.004} / _{+0.000} | 4.750 ^{+0.005} / _{+0.000} | 4.000 ^{+0.000} / _{-0.005} | 4.748 ^{+0.000} / _{-0.002} | 4.750 ^{+0.004} / _{+0.000} | .625 ±.016 | 42.54 |
| U37-4.25-62Z | 4-1/4 | 5 | 5/8 | .688 ^{+0.015} / _{+0.000} | 4.250 ^{+0.000} / _{-0.002} | 4.252 ^{+0.004} / _{+0.000} | 5.000 ^{+0.005} / _{+0.000} | 4.250 ^{+0.000} / _{-0.005} | 4.998 ^{+0.000} / _{-0.002} | 5.000 ^{+0.004} / _{+0.000} | .625 ±.016 | 34.73 |
| U37-4.37-50Z | 4-3/8 | 5-1/8 | 1/2 | .550 ^{+0.015} / _{+0.000} | 4.375 ^{+0.000} / _{-0.002} | 4.377 ^{+0.004} / _{+0.000} | 5.125 ^{+0.005} / _{+0.000} | 4.375 ^{+0.000} / _{-0.005} | 5.123 ^{+0.000} / _{-0.002} | 5.125 ^{+0.004} / _{+0.000} | .500 ±.012 | 59.15 |
| U37-4.50-62DZ | 4-1/2 | 5-1/4 | 5/8 | .688 ^{+0.015} / _{+0.000} | 4.500 ^{+0.000} / _{-0.002} | 4.502 ^{+0.004} / _{+0.000} | 5.250 ^{+0.005} / _{+0.000} | 4.500 ^{+0.000} / _{-0.005} | 5.248 ^{+0.000} / _{-0.002} | 5.250 ^{+0.004} / _{+0.000} | .577 ^{+0.064} / _{-0.016} | 42.57 |
| U37-4.50-62DZR | 4-1/2 | 5-1/4 | 5/8 | .688 ^{+0.015} / _{+0.000} | 4.500 ^{+0.000} / _{-0.002} | 4.502 ^{+0.004} / _{+0.000} | 5.250 ^{+0.005} / _{+0.000} | N/A | N/A | N/A | .577 ^{+0.064} / _{-0.016} | 104.54 |
| U37-4.50-62Z | 4-1/2 | 5-1/4 | 5/8 | .688 ^{+0.015} / _{+0.000} | 4.500 ^{+0.000} / _{-0.002} | 4.502 ^{+0.004} / _{+0.000} | 5.250 ^{+0.005} / _{+0.000} | 4.500 ^{+0.000} / _{-0.005} | 5.248 ^{+0.000} / _{-0.002} | 5.250 ^{+0.004} / _{+0.000} | .625 ±.016 | 48.04 |
| U37-4.75-62Z | 4-3/4 | 5-1/2 | 5/8 | .688 ^{+0.015} / _{+0.000} | 4.750 ^{+0.000} / _{-0.002} | 4.752 ^{+0.004} / _{+0.000} | 5.500 ^{+0.005} / _{+0.000} | 4.750 ^{+0.000} / _{-0.005} | 5.498 ^{+0.000} / _{-0.002} | 5.500 ^{+0.004} / _{+0.000} | .625 ±.016 | 39.77 |
| U37-5.25-62DZR | 5-1/4 | 6 | 5/8 | .688 ^{+0.015} / _{+0.000} | 5.250 ^{+0.000} / _{-0.002} | 5.252 ^{+0.004} / _{+0.000} | 6.000 ^{+0.005} / _{+0.000} | N/A | N/A | N/A | .577 ^{+0.064} / _{-0.016} | 132.10 |
| U37-5.25-62Z | 5-1/4 | 6 | 5/8 | .688 ^{+0.015} / _{+0.000} | 5.250 ^{+0.000} / _{-0.002} | 5.252 ^{+0.004} / _{+0.000} | 6.000 ^{+0.005} / _{+0.000} | 5.250 ^{+0.000} / _{-0.005} | 5.998 ^{+0.000} / _{-0.002} | 6.000 ^{+0.004} / _{+0.000} | .625 ±.016 | 43.42 |

U-SEALS

FORMERLY LISTED SEALS ARE AVAILABLE ONLINE AT WWW.HERCULESUS.COM
OR BY CONTACTING YOUR REGIONAL HERCULES SALES TEAM.



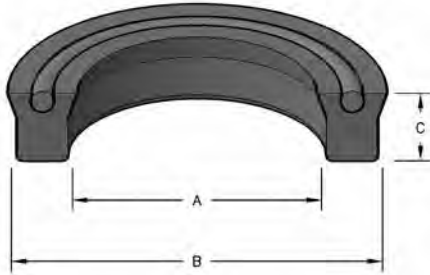
Z-SEALS

| Part Number | A Nom. ID | B Nom. OD | C Nom. Ht | D GROOVE WIDTH | E ROD DIAMETER | F THROAT DIAMETER | G HOUSING DIAMETER | H GROOVE DIAMETER | I PISTON DIAMETER | J BORE DIAMETER | C HEIGHT | List Price |
|-----------------|-----------------|-----------------|-----------------|--------------------------|----------------------------|----------------------------|----------------------------|---------------------------|---------------------------|---------------------------|--------------------------|---------------|
| U37-5.50-62Z | 5-1/2 | 6-1/4 | 5/8 | .688 +0.015 +0.000 | 5.500 +0.000 -0.002 | 5.502 +0.004 +0.000 | 6.250 +0.005 +0.000 | 5.500 +0.000 -0.005 | 6.248 +0.000 -0.002 | 6.250 +0.004 +0.000 | .625 ±0.016 | 53.80 |
| U37-5.75-62Z | 5-3/4 | 6-1/2 | 5/8 | .688 +0.015 +0.000 | 5.750 +0.000 -0.002 | 5.752 +0.004 +0.000 | 6.500 +0.005 +0.000 | 5.750 +0.000 -0.005 | 6.498 +0.000 -0.002 | 6.500 +0.004 +0.000 | .625 ±0.016 | 46.75 |
| U37-6.00-56Z | 6 | 6-3/4 | 9/16 | .619 +0.015 +0.000 | 6.000 +0.000 -0.002 | 6.002 +0.004 +0.000 | 6.750 +0.005 +0.000 | 6.000 +0.000 -0.005 | 6.748 +0.000 -0.002 | 6.750 +0.004 +0.000 | .562 ±0.016 | 65.16 |
| U37-6.00-62Z | 6 | 6-3/4 | 5/8 | .688 +0.015 +0.000 | 6.000 +0.000 -0.002 | 6.002 +0.004 +0.000 | 6.750 +0.005 +0.000 | 6.000 +0.000 -0.005 | 6.748 +0.000 -0.002 | 6.750 +0.004 +0.000 | .625 ±0.016 | 62.87 |
| U37-6.25-50Z | 6-1/4 | 7 | 1/2 | .550 +0.015 +0.000 | 6.250 +0.000 -0.002 | 6.252 +0.004 +0.000 | 7.000 +0.005 +0.000 | 6.250 +0.000 -0.005 | 6.998 +0.000 +0.000 | 7.000 +0.004 +0.000 | .500 ±0.016 | 80.33 |
| U37-6.25-62Z | 6-1/4 | 7 | 5/8 | .688 +0.015 +0.000 | 6.250 +0.000 -0.002 | 6.252 +0.004 +0.000 | 7.000 +0.005 +0.000 | 6.250 +0.000 -0.005 | 6.998 +0.000 -0.002 | 7.000 +0.004 +0.000 | .625 ±0.016 | 49.56 |
| U37-7.00-62DZ | 7 | 7-3/4 | 5/8 | .688 +0.015 +0.000 | 7.000 +0.000 -0.002 | 7.002 +0.004 +0.000 | 7.750 +0.005 +0.000 | 7.000 +0.000 -0.005 | 7.748 +0.000 -0.002 | 7.750 +0.004 +0.000 | .577 +0.064 -0.016 | 52.10 |
| U37-7.00-62DZR | 7 | 7-3/4 | 5/8 | .688 +0.015 +0.000 | 7.000 +0.000 -0.002 | 7.002 +0.004 +0.000 | 7.750 +0.005 +0.000 | N/A | N/A | N/A | .577 +0.064 -0.016 | 244.93 |
| 1/2" C/S | | | | | | | | | | | | |
| U50-8.00-75DZ | 8 | 9 | 3/4 | .825 +0.015 +0.000 | 8.000 +0.000 -0.003 | 8.002 +0.005 +0.000 | 9.000 +0.007 +0.000 | 8.000 +0.000 -0.007 | 8.998 +0.000 -0.003 | 9.000 +0.005 +0.000 | .768 +0.022 -0.040 | \$90.82 |
| U50-12.00-75DZR | 12 | 13 | 3/4 | .825 +0.015 +0.000 | 12.000 +0.000 -0.003 | 12.002 +0.005 +0.000 | 13.000 +0.007 +0.000 | N/A | N/A | N/A | .750 ±0.016 | 436.60 |
| U50-14.00-75DZR | 14 | 15 | 3/4 | .825 +0.015 +0.000 | 14.000 +0.000 -0.003 | 14.002 +0.005 +0.000 | 15.000 +0.007 +0.000 | N/A | N/A | N/A | .768 +0.022 -0.040 | 463.46 |
| U50-15.75-75DZR | 15-3/4 | 16-3/4 | 3/4 | .825 +0.010 +0.000 | 15.750 +0.000 -0.003 | 15.752 +0.005 +0.000 | 16.750 +0.007 +0.000 | N/A | N/A | N/A | .750 +0.026 -0.016 | 833.75 |

U-SEALS

STYLE 850 POLYURETHANE U-SEALS

Style 850 u-seals offer excellent resistance to extrusion and abrasion. The round cross-section expander offers energized sealing from zero to 5,000 psi.



HERCULES PART NUMBERS

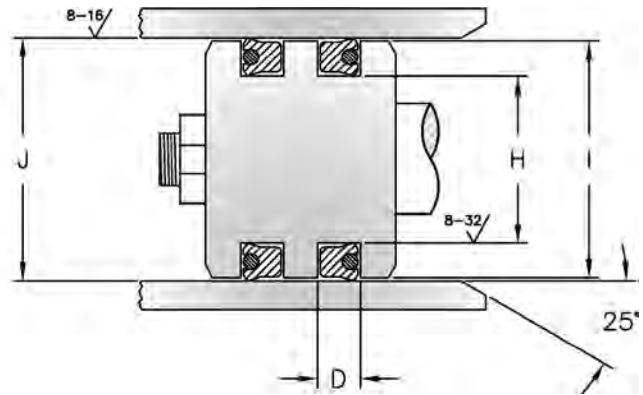
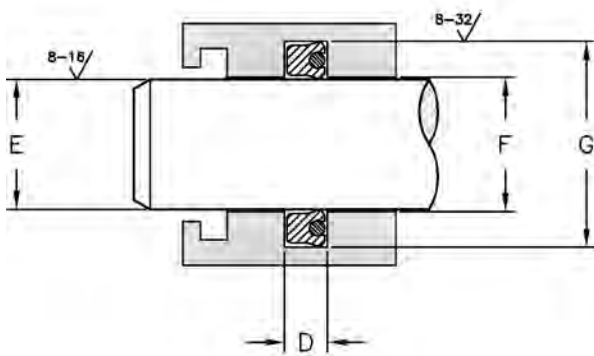
P 125 - 00.125 - 250B
 Type of Seal | Cross Section | Inside Diameter | Height

| SEAL INFORMATION | |
|-------------------|-----------------|
| MATERIAL | 95A URETHANE |
| TEMPERATURE RANGE | -40° TO +200° F |
| PRESSURE RANGE | 0 TO 5,000 PSI |
| SPEED | 3 FT/SEC |

BFM = 58D DUROMETER FLUOROTREL -65° TO +275° F

BHN = 85A DUROMETER HYDROGENATED NITRILE -50° to +320° F

BPM = 58D DUROMETER POLYMYTE -65° to +275° F / -65° to +180° F IN WATER BASED FLUIDS



Standard -
 Height and cross section are equal, thus giving a square seal. Utilizes type "D" lip
 Typical Part Number P25-02.500



Deep -
 Utilizes the same "D" lip, but the seal height is greater than the cross section, thus giving a rectangular shape.
 Typical Part Number P25-02.500-37D



Type B -
 Same dimensions as the Deep seal. Beveled lip design provides better film breaking.
 Utilizes type "B" lip.
 Typical Part Number U25-02.500-37B

| Part Number | A Nom. ID | B Nom. OD | C Nom. Ht | D GROOVE WIDTH | E ROD DIAMETER | F THroat DIAMETER | G HOUSING DIAMETER | H GROOVE DIAMETER | I PISTON DIAMETER | J BORE DIAMETER | List Price |
|------------------|-----------|-----------|-----------|--------------------|--------------------|--------------------|--------------------|--------------------|--------------------|--------------------|------------|
| 1/8" C/S | | | | | | | | | | | |
| P125-00.062 | 1/16 | 5/16 | 1/8 | .138 +.015 / -.000 | .062 +.000 / -.001 | .063 +.002 / +.000 | .313 +.002 / +.000 | .062 +.000 / -.002 | .311 +.000 / -.001 | .313 +.002 / +.000 | \$3.94 |
| P125-00.125-250B | 1/8 | 3/8 | 1/4 | .275 +.015 / +.000 | .125 +.000 / -.001 | .126 +.002 / +.000 | .375 +.002 / +.000 | .125 +.000 / -.002 | .374 +.000 / -.001 | .375 +.002 / +.000 | 5.90 |
| P125-00.187-250B | 3/16 | 7/16 | 1/4 | .275 +.015 / +.000 | .187 +.000 / -.001 | .188 +.002 / +.000 | .438 +.002 / +.000 | .187 +.000 / -.002 | .436 +.000 / -.001 | .438 +.002 / +.000 | 4.06 |
| P125-00.250 | 1/4 | 1/2 | 1/8 | .138 +.015 / +.000 | .250 +.000 / -.001 | .251 +.002 / +.000 | .500 +.002 / +.000 | .250 +.000 / -.002 | .499 +.000 / -.001 | .500 +.002 / +.000 | 3.94 |
| P125-00.250-250B | 1/4 | 1/2 | 1/4 | .275 +.015 / +.000 | .250 +.000 / -.001 | .251 +.002 / +.000 | .500 +.002 / +.000 | .250 +.000 / -.002 | .499 +.000 / -.001 | .500 +.002 / +.000 | 4.17 |
| P125-00.312-250B | 5/16 | 9/16 | 1/4 | .275 +.015 / +.000 | .312 +.000 / -.001 | .313 +.002 / +.000 | .563 +.002 / +.000 | .312 +.000 / -.002 | .561 +.000 / -.001 | .563 +.002 / +.000 | 4.44 |

FORMERLY LISTED SEALS ARE AVAILABLE ONLINE AT WWW.HERCULESUS.COM
 OR BY CONTACTING YOUR REGIONAL HERCULES SALES TEAM.



STYLE 850 POLYURETHANE U-SEALS

U-SEALS

| Part Number | A Nom. ID | B Nom. OD | C Nom. Ht | D GROOVE WIDTH | E ROD DIAMETER | F THROAT DIAMETER | G HOUSING DIAMETER | H GROOVE DIAMETER | I PISTON DIAMETER | J BORE DIAMETER | List Price |
|------------------|-----------|-----------|-----------|--|---|---|---|---|---|---|------------|
| P125-00.375 | 3/8 | 5/8 | 1/8 | .138 ^{+0.015} / _{+0.000} | .375 ^{+0.000} / _{-0.001} | .376 ^{+0.002} / _{+0.000} | .625 ^{+0.002} / _{+0.000} | .375 ^{+0.000} / _{-0.002} | .624 ^{+0.000} / _{-0.001} | .625 ^{+0.002} / _{+0.000} | 3.94 |
| P125-00.375-187B | 3/8 | 5/8 | 3/16 | .207 ^{+0.015} / _{+0.000} | .375 ^{+0.000} / _{-0.001} | .376 ^{+0.002} / _{+0.000} | .625 ^{+0.002} / _{+0.000} | .375 ^{+0.000} / _{-0.002} | .624 ^{+0.000} / _{-0.001} | .625 ^{+0.002} / _{+0.000} | 4.47 |
| P125-00.375-250B | 3/8 | 5/8 | 1/4 | .275 ^{+0.015} / _{+0.000} | .375 ^{+0.000} / _{-0.001} | .376 ^{+0.002} / _{+0.000} | .625 ^{+0.002} / _{+0.000} | .375 ^{+0.000} / _{-0.002} | .624 ^{+0.000} / _{-0.001} | .625 ^{+0.002} / _{+0.000} | 5.16 |
| P125-00.500 | 1/2 | 3/4 | 1/8 | .138 ^{+0.015} / _{+0.000} | .500 ^{+0.000} / _{-0.001} | .501 ^{+0.002} / _{+0.000} | .750 ^{+0.002} / _{+0.000} | .500 ^{+0.000} / _{-0.002} | .749 ^{+0.000} / _{-0.001} | .750 ^{+0.002} / _{+0.000} | 3.94 |
| P125-00.500-125B | 1/2 | 3/4 | 1/8 | .138 ^{+0.015} / _{+0.000} | .500 ^{+0.000} / _{-0.001} | .501 ^{+0.002} / _{+0.000} | .750 ^{+0.002} / _{+0.000} | .500 ^{+0.000} / _{-0.002} | .749 ^{+0.000} / _{-0.001} | .750 ^{+0.002} / _{+0.000} | 5.94 |
| P125-00.500-250B | 1/2 | 3/4 | 1/4 | .275 ^{+0.015} / _{+0.000} | .500 ^{+0.000} / _{-0.001} | .501 ^{+0.002} / _{+0.000} | .750 ^{+0.002} / _{+0.000} | .500 ^{+0.000} / _{-0.002} | .749 ^{+0.000} / _{-0.001} | .750 ^{+0.002} / _{+0.000} | 4.59 |
| P125-00.500-250D | 1/2 | 3/4 | 1/4 | .275 ^{+0.015} / _{+0.000} | .500 ^{+0.000} / _{-0.001} | .501 ^{+0.002} / _{+0.000} | .750 ^{+0.002} / _{+0.000} | .500 ^{+0.000} / _{-0.002} | .749 ^{+0.000} / _{-0.001} | .750 ^{+0.002} / _{+0.000} | 4.59 |
| P125-00.562-SQB | 9/16 | 13/16 | 1/8 | .138 ^{+0.015} / _{+0.000} | .562 ^{+0.000} / _{-0.001} | .563 ^{+0.002} / _{+0.000} | .813 ^{+0.002} / _{+0.000} | .562 ^{+0.000} / _{-0.002} | .811 ^{+0.000} / _{-0.001} | .813 ^{+0.002} / _{+0.000} | 3.90 |
| P125-00.625 | 5/8 | 7/8 | 1/8 | .138 ^{+0.015} / _{+0.000} | .625 ^{+0.000} / _{-0.001} | .626 ^{+0.002} / _{+0.000} | .875 ^{+0.002} / _{+0.000} | .625 ^{+0.000} / _{-0.002} | .874 ^{+0.000} / _{-0.001} | .875 ^{+0.002} / _{+0.000} | 4.04 |
| P125-00.625-187B | 5/8 | 7/8 | 3/16 | .207 ^{+0.015} / _{+0.000} | .625 ^{+0.000} / _{-0.001} | .626 ^{+0.002} / _{+0.000} | .875 ^{+0.002} / _{+0.000} | .625 ^{+0.000} / _{-0.002} | .874 ^{+0.000} / _{-0.001} | .875 ^{+0.002} / _{+0.000} | 4.75 |
| P125-00.625-250B | 5/8 | 7/8 | 1/4 | .275 ^{+0.015} / _{+0.000} | .625 ^{+0.000} / _{-0.001} | .626 ^{+0.002} / _{+0.000} | .875 ^{+0.002} / _{+0.000} | .625 ^{+0.000} / _{-0.002} | .874 ^{+0.000} / _{-0.001} | .875 ^{+0.002} / _{+0.000} | 4.75 |
| P125-00.687 | 11/16 | 15/16 | 1/8 | .138 ^{+0.015} / _{+0.000} | .687 ^{+0.000} / _{-0.001} | .688 ^{+0.002} / _{+0.000} | .938 ^{+0.002} / _{+0.000} | .687 ^{+0.000} / _{-0.002} | .936 ^{+0.000} / _{-0.001} | .938 ^{+0.002} / _{+0.000} | 4.27 |
| P125-00.750 | 3/4 | 1 | 1/8 | .138 ^{+0.015} / _{+0.000} | .750 ^{+0.000} / _{-0.001} | .751 ^{+0.002} / _{+0.000} | 1.000 ^{+0.002} / _{+0.000} | .750 ^{+0.000} / _{-0.002} | .999 ^{+0.000} / _{-0.001} | 1.000 ^{+0.002} / _{+0.000} | 4.17 |
| P125-00.750-125B | 3/4 | 1 | 1/8 | .138 ^{+0.015} / _{+0.000} | .750 ^{+0.000} / _{-0.001} | .751 ^{+0.002} / _{+0.000} | 1.000 ^{+0.002} / _{+0.000} | .750 ^{+0.000} / _{-0.002} | .999 ^{+0.000} / _{-0.001} | 1.000 ^{+0.002} / _{+0.000} | 5.70 |
| P125-00.750-250B | 3/4 | 1 | 1/4 | .275 ^{+0.015} / _{+0.000} | .750 ^{+0.000} / _{-0.001} | .751 ^{+0.002} / _{+0.000} | 1.000 ^{+0.002} / _{+0.000} | .750 ^{+0.000} / _{-0.002} | .999 ^{+0.000} / _{-0.001} | 1.000 ^{+0.002} / _{+0.000} | 4.91 |
| P125-00.750-250D | 3/4 | 1 | 1/4 | .275 ^{+0.015} / _{+0.000} | .750 ^{+0.000} / _{-0.001} | .751 ^{+0.002} / _{+0.000} | 1.000 ^{+0.002} / _{+0.000} | .750 ^{+0.000} / _{-0.002} | .999 ^{+0.000} / _{-0.001} | 1.000 ^{+0.002} / _{+0.000} | 4.91 |
| P125-00.812 | 13/16 | 1-1/16 | 1/8 | .138 ^{+0.015} / _{+0.000} | .812 ^{+0.000} / _{-0.001} | .813 ^{+0.002} / _{+0.000} | 1.063 ^{+0.002} / _{+0.000} | .812 ^{+0.000} / _{-0.002} | 1.061 ^{+0.000} / _{-0.001} | 1.063 ^{+0.002} / _{+0.000} | 4.33 |
| P125-00.812-250B | 13/16 | 1-1/16 | 1/4 | .275 ^{+0.015} / _{+0.000} | .812 ^{+0.000} / _{-0.001} | .813 ^{+0.002} / _{+0.000} | 1.063 ^{+0.002} / _{+0.000} | .812 ^{+0.000} / _{-0.002} | 1.061 ^{+0.000} / _{-0.001} | 1.063 ^{+0.002} / _{+0.000} | 10.63 |
| P125-00.875 | 7/8 | 1-1/8 | 1/8 | .138 ^{+0.015} / _{+0.000} | .875 ^{+0.000} / _{-0.001} | .876 ^{+0.002} / _{+0.000} | 1.125 ^{+0.002} / _{+0.000} | .875 ^{+0.000} / _{-0.002} | 1.124 ^{+0.000} / _{-0.001} | 1.125 ^{+0.002} / _{+0.000} | 4.33 |
| P125-00.875-250B | 7/8 | 1-1/8 | 1/4 | .275 ^{+0.015} / _{+0.000} | .875 ^{+0.000} / _{-0.001} | .876 ^{+0.002} / _{+0.000} | 1.125 ^{+0.002} / _{+0.000} | .875 ^{+0.000} / _{-0.002} | 1.124 ^{+0.000} / _{-0.001} | 1.125 ^{+0.002} / _{+0.000} | 5.10 |
| P125-00.937 | 15/16 | 1-3/16 | 1/8 | .138 ^{+0.015} / _{+0.000} | .937 ^{+0.000} / _{-0.001} | .938 ^{+0.002} / _{+0.000} | 1.188 ^{+0.002} / _{+0.000} | .937 ^{+0.000} / _{-0.002} | 1.186 ^{+0.000} / _{-0.001} | 1.188 ^{+0.002} / _{+0.000} | 4.46 |
| P125-01.000 | 1 | 1-1/4 | 1/8 | .138 ^{+0.015} / _{+0.000} | 1.000 ^{+0.000} / _{-0.001} | 1.001 ^{+0.002} / _{+0.000} | 1.250 ^{+0.002} / _{+0.000} | 1.000 ^{+0.000} / _{-0.002} | 1.249 ^{+0.000} / _{-0.001} | 1.250 ^{+0.002} / _{+0.000} | 4.46 |
| P125-01.000-187B | 1 | 1-1/4 | 3/16 | .207 ^{+0.015} / _{+0.000} | 1.000 ^{+0.000} / _{-0.001} | 1.001 ^{+0.002} / _{+0.000} | 1.250 ^{+0.002} / _{+0.000} | 1.000 ^{+0.000} / _{-0.002} | 1.249 ^{+0.000} / _{-0.001} | 1.250 ^{+0.002} / _{+0.000} | 6.78 |
| P125-01.000-250B | 1 | 1-1/4 | 1/4 | .275 ^{+0.015} / _{+0.000} | 1.000 ^{+0.000} / _{-0.001} | 1.001 ^{+0.002} / _{+0.000} | 1.250 ^{+0.002} / _{+0.000} | 1.000 ^{+0.000} / _{-0.002} | 1.249 ^{+0.000} / _{-0.001} | 1.250 ^{+0.002} / _{+0.000} | 5.30 |
| P125-01.000-250D | 1 | 1-1/4 | 1/4 | .275 ^{+0.015} / _{+0.000} | 1.000 ^{+0.000} / _{-0.001} | 1.001 ^{+0.002} / _{+0.000} | 1.250 ^{+0.002} / _{+0.000} | 1.000 ^{+0.000} / _{-0.002} | 1.249 ^{+0.000} / _{-0.001} | 1.250 ^{+0.002} / _{+0.000} | 5.30 |
| P125-01.062-250B | 1-1/16 | 1-5/16 | 1/4 | .275 ^{+0.015} / _{+0.000} | 1.062 ^{+0.000} / _{-0.001} | 1.063 ^{+0.002} / _{+0.000} | 1.313 ^{+0.002} / _{+0.000} | 1.062 ^{+0.000} / _{-0.002} | 1.311 ^{+0.000} / _{-0.001} | 1.313 ^{+0.002} / _{+0.000} | 5.38 |
| P125-01.125 | 1-1/8 | 1-3/8 | 1/8 | .138 ^{+0.015} / _{+0.000} | 1.125 ^{+0.000} / _{-0.001} | 1.126 ^{+0.002} / _{+0.000} | 1.375 ^{+0.002} / _{+0.000} | 1.125 ^{+0.000} / _{-0.002} | 1.374 ^{+0.000} / _{-0.001} | 1.375 ^{+0.002} / _{+0.000} | 4.76 |
| P125-01.125-187B | 1-1/8 | 1-3/8 | 3/16 | .207 ^{+0.015} / _{+0.000} | 1.125 ^{+0.000} / _{-0.001} | 1.126 ^{+0.002} / _{+0.000} | 1.375 ^{+0.002} / _{+0.000} | 1.125 ^{+0.000} / _{-0.002} | 1.374 ^{+0.000} / _{-0.002} | 1.375 ^{+0.002} / _{+0.000} | 7.83 |
| P125-01.125-250B | 1-1/8 | 1-3/8 | 1/4 | .275 ^{+0.015} / _{+0.000} | 1.125 ^{+0.000} / _{-0.001} | 1.126 ^{+0.002} / _{+0.000} | 1.375 ^{+0.002} / _{+0.000} | 1.125 ^{+0.000} / _{-0.002} | 1.374 ^{+0.000} / _{-0.001} | 1.375 ^{+0.002} / _{+0.000} | 5.52 |
| P125-01.187 | 1-3/16 | 1-7/16 | 1/8 | .138 ^{+0.015} / _{+0.000} | 1.187 ^{+0.000} / _{-0.001} | 1.188 ^{+0.002} / _{+0.000} | 1.438 ^{+0.002} / _{+0.000} | 1.187 ^{+0.000} / _{-0.002} | 1.436 ^{+0.000} / _{-0.001} | 1.438 ^{+0.002} / _{+0.000} | 8.25 |
| P125-01.187-250B | 1-3/16 | 1-7/16 | 1/4 | .275 ^{+0.015} / _{+0.000} | 1.187 ^{+0.000} / _{-0.001} | 1.188 ^{+0.002} / _{+0.000} | 1.438 ^{+0.002} / _{+0.000} | 1.187 ^{+0.000} / _{-0.002} | 1.436 ^{+0.000} / _{-0.001} | 1.438 ^{+0.002} / _{+0.000} | 5.83 |
| P125-01.250 | 1-1/4 | 1-1/2 | 1/8 | .138 ^{+0.015} / _{+0.000} | 1.250 ^{+0.000} / _{-0.001} | 1.251 ^{+0.002} / _{+0.000} | 1.500 ^{+0.002} / _{+0.000} | 1.250 ^{+0.000} / _{-0.002} | 1.499 ^{+0.000} / _{-0.001} | 1.500 ^{+0.002} / _{+0.000} | 4.76 |
| P125-01.250-187B | 1-1/4 | 1-1/2 | 3/16 | .207 ^{+0.015} / _{+0.000} | 1.250 ^{+0.000} / _{-0.001} | 1.251 ^{+0.002} / _{+0.000} | 1.500 ^{+0.002} / _{+0.000} | 1.250 ^{+0.000} / _{-0.002} | 1.499 ^{+0.000} / _{-0.001} | 1.500 ^{+0.002} / _{+0.000} | 5.95 |

NORTH AMERICA
PHONE 1-800-777-5617
FAX 1-800-759-6391

SALES OFFICE HOURS
8 A.M. TO 7:30 P.M. EASTERN TIME
www.HerculesUS.com

WORLDWIDE
PHONE 1-727-796-1300
FAX 1-727-797-8849



STYLE 850 POLYURETHANE U-SEALS

U-SEALS

| Part Number | A Nom. ID | B Nom. OD | C Nom. Ht | D GROOVE WIDTH | E ROD DIAMETER | F THROAT DIAMETER | G HOUSING DIAMETER | H GROOVE DIAMETER | I PISTON DIAMETER | J BORE DIAMETER | List Price |
|------------------|-----------|-----------|-----------|--|---|---|---|---|---|---|------------|
| P125-01.250-250B | 1-1/4 | 1-1/2 | 1/4 | .275 ^{+0.015} / _{+0.000} | 1.250 ^{+0.000} / _{-0.001} | 1.251 ^{+0.002} / _{+0.000} | 1.500 ^{+0.002} / _{-0.001} | 1.250 ^{+0.000} / _{-0.002} | 1.499 ^{+0.000} / _{-0.001} | 1.500 ^{+0.002} / _{+0.000} | 5.74 |
| P125-01.375 | 1-3/8 | 1-5/8 | 1/8 | .138 ^{+0.015} / _{+0.000} | 1.375 ^{+0.000} / _{-0.001} | 1.376 ^{+0.002} / _{+0.000} | 1.625 ^{+0.002} / _{+0.000} | 1.375 ^{+0.000} / _{-0.002} | 1.624 ^{+0.000} / _{-0.001} | 1.625 ^{+0.002} / _{+0.000} | 5.10 |
| P125-01.375-250B | 1-3/8 | 1-5/8 | 1/4 | .275 ^{+0.015} / _{+0.000} | 1.375 ^{+0.000} / _{-0.001} | 1.376 ^{+0.002} / _{+0.000} | 1.625 ^{+0.002} / _{+0.000} | 1.375 ^{+0.000} / _{-0.002} | 1.624 ^{+0.000} / _{-0.001} | 1.625 ^{+0.002} / _{+0.000} | 5.93 |
| P125-01.500 | 1-1/2 | 1-3/4 | 1/8 | .138 ^{+0.015} / _{+0.000} | 1.500 ^{+0.000} / _{-0.001} | 1.501 ^{+0.002} / _{+0.000} | 1.750 ^{+0.002} / _{+0.000} | 1.500 ^{+0.000} / _{-0.002} | 1.749 ^{+0.000} / _{-0.001} | 1.750 ^{+0.002} / _{+0.000} | 5.30 |
| P125-01.500-250B | 1-1/2 | 1-3/4 | 1/4 | .275 ^{+0.015} / _{+0.000} | 1.500 ^{+0.000} / _{-0.001} | 1.501 ^{+0.002} / _{+0.000} | 1.750 ^{+0.002} / _{+0.000} | 1.500 ^{+0.000} / _{-0.002} | 1.749 ^{+0.000} / _{-0.001} | 1.750 ^{+0.002} / _{+0.000} | 6.21 |
| P125-01.500-250D | 1-1/2 | 1-3/4 | 1/4 | .275 ^{+0.015} / _{+0.000} | 1.500 ^{+0.000} / _{-0.001} | 1.501 ^{+0.002} / _{+0.000} | 1.750 ^{+0.002} / _{+0.000} | 1.500 ^{+0.000} / _{-0.002} | 1.749 ^{+0.000} / _{-0.001} | 1.750 ^{+0.002} / _{+0.000} | 7.53 |
| P125-01.625 | 1-5/8 | 1-7/8 | 1/8 | .138 ^{+0.015} / _{+0.000} | 1.625 ^{+0.000} / _{-0.001} | 1.626 ^{+0.002} / _{+0.000} | 1.875 ^{+0.002} / _{+0.000} | 1.625 ^{+0.000} / _{-0.002} | 1.874 ^{+0.000} / _{-0.001} | 1.875 ^{+0.002} / _{+0.000} | 5.67 |
| P125-01.750 | 1-3/4 | 2 | 1/8 | .138 ^{+0.015} / _{+0.000} | 1.750 ^{+0.000} / _{-0.001} | 1.751 ^{+0.002} / _{+0.000} | 2.000 ^{+0.002} / _{+0.000} | 1.750 ^{+0.000} / _{-0.002} | 1.999 ^{+0.000} / _{-0.001} | 2.000 ^{+0.002} / _{+0.000} | 5.65 |
| P125-01.750-250D | 1-3/4 | 2 | 1/4 | .275 ^{+0.015} / _{+0.000} | 1.750 ^{+0.000} / _{-0.001} | 1.751 ^{+0.002} / _{+0.000} | 2.000 ^{+0.002} / _{+0.000} | 1.750 ^{+0.000} / _{-0.002} | 1.999 ^{+0.000} / _{-0.001} | 2.000 ^{+0.002} / _{+0.000} | 6.78 |
| P125-01.875 | 1-7/8 | 2-1/8 | 1/8 | .138 ^{+0.015} / _{+0.000} | 1.875 ^{+0.000} / _{-0.001} | 1.876 ^{+0.002} / _{+0.000} | 2.125 ^{+0.002} / _{+0.000} | 1.875 ^{+0.000} / _{-0.002} | 2.124 ^{+0.000} / _{-0.001} | 2.125 ^{+0.002} / _{+0.000} | 6.05 |
| P125-02.000 | 2 | 2-1/4 | 1/8 | .138 ^{+0.015} / _{+0.000} | 2.000 ^{+0.000} / _{-0.001} | 2.001 ^{+0.002} / _{+0.000} | 2.250 ^{+0.002} / _{+0.000} | 2.000 ^{+0.000} / _{-0.002} | 2.249 ^{+0.000} / _{-0.001} | 2.250 ^{+0.002} / _{+0.000} | 6.20 |
| P125-02.000-250B | 2 | 2-1/4 | 1/4 | .275 ^{+0.015} / _{+0.000} | 2.000 ^{+0.000} / _{-0.001} | 2.001 ^{+0.002} / _{+0.000} | 2.250 ^{+0.002} / _{+0.000} | 2.000 ^{+0.000} / _{-0.002} | 2.249 ^{+0.000} / _{-0.001} | 2.250 ^{+0.002} / _{+0.000} | 6.04 |
| P125-02.000-250D | 2 | 2-1/4 | 1/4 | .275 ^{+0.015} / _{+0.000} | 2.000 ^{+0.000} / _{-0.001} | 2.001 ^{+0.002} / _{+0.000} | 2.250 ^{+0.002} / _{+0.000} | 2.000 ^{+0.000} / _{-0.002} | 2.249 ^{+0.000} / _{-0.001} | 2.250 ^{+0.002} / _{+0.000} | 6.04 |
| P125-02.500-250B | 2-1/2 | 2-3/4 | 1/4 | .275 ^{+0.015} / _{+0.000} | 2.500 ^{+0.000} / _{-0.001} | 2.501 ^{+0.002} / _{+0.000} | 2.750 ^{+0.002} / _{+0.000} | 2.500 ^{+0.000} / _{-0.002} | 2.749 ^{+0.000} / _{-0.001} | 2.750 ^{+0.002} / _{+0.000} | 8.05 |
| P125-02.750-250B | 2-3/4 | 3 | 1/4 | .275 ^{+0.015} / _{+0.000} | 2.750 ^{+0.000} / _{-0.001} | 2.751 ^{+0.002} / _{+0.000} | 3.000 ^{+0.002} / _{+0.000} | 2.750 ^{+0.000} / _{-0.002} | 2.999 ^{+0.000} / _{-0.001} | 3.000 ^{+0.002} / _{+0.000} | 14.95 |
| P125-03.000 | 3 | 3-1/4 | 1/8 | .138 ^{+0.015} / _{+0.000} | 3.000 ^{+0.000} / _{-0.001} | 3.001 ^{+0.002} / _{+0.000} | 3.250 ^{+0.002} / _{+0.000} | 3.000 ^{+0.000} / _{-0.002} | 3.249 ^{+0.000} / _{-0.001} | 3.250 ^{+0.002} / _{+0.000} | 7.76 |
| P125-03.250 | 3-1/4 | 3-1/2 | 1/8 | .138 ^{+0.015} / _{+0.000} | 3.250 ^{+0.000} / _{-0.001} | 3.251 ^{+0.002} / _{+0.000} | 3.500 ^{+0.002} / _{+0.000} | 3.250 ^{+0.000} / _{-0.002} | 3.499 ^{+0.000} / _{-0.001} | 3.500 ^{+0.002} / _{+0.000} | 8.69 |
| P125-03.500 | 3-1/2 | 3-3/4 | 1/8 | .138 ^{+0.015} / _{+0.000} | 3.500 ^{+0.000} / _{-0.001} | 3.501 ^{+0.002} / _{+0.000} | 3.750 ^{+0.002} / _{+0.000} | 3.500 ^{+0.000} / _{-0.002} | 3.749 ^{+0.000} / _{-0.001} | 3.750 ^{+0.002} / _{+0.000} | 11.16 |
| P125-03.750 | 3-3/4 | 4 | 1/8 | .138 ^{+0.015} / _{+0.000} | 3.750 ^{+0.000} / _{-0.001} | 3.751 ^{+0.002} / _{+0.000} | 4.000 ^{+0.002} / _{+0.000} | 3.750 ^{+0.000} / _{-0.002} | 3.999 ^{+0.000} / _{-0.001} | 4.000 ^{+0.002} / _{+0.000} | 10.58 |
| P125-04.500 | 4-1/2 | 4-3/4 | 1/8 | .138 ^{+0.015} / _{+0.000} | 4.500 ^{+0.000} / _{-0.001} | 4.501 ^{+0.002} / _{+0.000} | 4.750 ^{+0.002} / _{+0.000} | 4.500 ^{+0.000} / _{-0.002} | 4.749 ^{+0.000} / _{-0.001} | 4.750 ^{+0.002} / _{+0.000} | 13.43 |
| P125-04.750 | 4-3/4 | 5 | 1/8 | .138 ^{+0.015} / _{+0.000} | 4.750 ^{+0.000} / _{-0.001} | 4.751 ^{+0.002} / _{+0.000} | 5.000 ^{+0.002} / _{+0.000} | 4.750 ^{+0.000} / _{-0.002} | 4.999 ^{+0.000} / _{-0.001} | 5.000 ^{+0.002} / _{+0.000} | 14.36 |
| 5/32" C/S | | | | | | | | | | | |
| P156-01.000 | 1 | 1-5/16 | 5/32 | .172 ^{+0.015} / _{+0.000} | 1.000 ^{+0.000} / _{-0.002} | 1.001 ^{+0.002} / _{+0.000} | 1.313 ^{+0.002} / _{+0.000} | 1.000 ^{+0.000} / _{-0.002} | 1.311 ^{+0.000} / _{-0.001} | 1.313 ^{+0.002} / _{+0.000} | \$6.04 |
| P156-01.187 | 1-3/16 | 1-1/2 | 5/32 | .172 ^{+0.015} / _{+0.000} | 1.187 ^{+0.000} / _{-0.002} | 1.188 ^{+0.002} / _{+0.000} | 1.500 ^{+0.002} / _{+0.000} | 1.187 ^{+0.000} / _{-0.002} | 1.499 ^{+0.000} / _{-0.001} | 1.500 ^{+0.002} / _{+0.000} | 5.44 |
| P156-01.375 | 1-3/8 | 1-11/16 | 5/32 | .172 ^{+0.015} / _{+0.000} | 1.375 ^{+0.000} / _{-0.002} | 1.376 ^{+0.002} / _{+0.000} | 1.688 ^{+0.002} / _{+0.000} | 1.375 ^{+0.000} / _{-0.002} | 1.686 ^{+0.000} / _{-0.001} | 1.688 ^{+0.002} / _{+0.000} | 6.96 |
| 3/16" C/S | | | | | | | | | | | |
| P187-00.375 | 3/8 | 3/4 | 3/16 | .207 ^{+0.015} / _{+0.000} | .375 ^{+0.000} / _{-0.002} | .376 ^{+0.002} / _{+0.000} | .750 ^{+0.002} / _{+0.000} | .375 ^{+0.000} / _{-0.002} | .749 ^{+0.000} / _{-0.002} | .750 ^{+0.002} / _{+0.000} | \$4.09 |
| P187-00.500 | 1/2 | 7/8 | 3/16 | .207 ^{+0.015} / _{+0.000} | .500 ^{+0.000} / _{-0.002} | .501 ^{+0.002} / _{+0.000} | .875 ^{+0.002} / _{+0.000} | .500 ^{+0.000} / _{-0.002} | .874 ^{+0.000} / _{-0.002} | .875 ^{+0.002} / _{+0.000} | 4.30 |
| P187-00.500-312B | 1/2 | 7/8 | 5/16 | .344 ^{+0.015} / _{+0.000} | .500 ^{+0.000} / _{-0.002} | .501 ^{+0.002} / _{+0.000} | .875 ^{+0.002} / _{+0.000} | .500 ^{+0.000} / _{-0.002} | .874 ^{+0.000} / _{-0.002} | .875 ^{+0.002} / _{+0.000} | 4.16 |
| P187-00.562 | 9/16 | 15/16 | 3/16 | .207 ^{+0.015} / _{+0.000} | .562 ^{+0.000} / _{-0.002} | .563 ^{+0.002} / _{+0.000} | .938 ^{+0.002} / _{+0.000} | .562 ^{+0.000} / _{-0.002} | .936 ^{+0.000} / _{-0.002} | .938 ^{+0.002} / _{+0.000} | 8.63 |
| P187-00.625-312B | 5/8 | 1 | 5/16 | .344 ^{+0.015} / _{+0.000} | .625 ^{+0.000} / _{-0.002} | .626 ^{+0.002} / _{+0.000} | 1.000 ^{+0.002} / _{+0.000} | .625 ^{+0.000} / _{-0.002} | .999 ^{+0.000} / _{-0.002} | 1.000 ^{+0.002} / _{+0.000} | 4.87 |
| P187-00.750 | 3/4 | 1-1/8 | 3/16 | .207 ^{+0.015} / _{+0.000} | .750 ^{+0.000} / _{-0.002} | .751 ^{+0.002} / _{+0.000} | 1.125 ^{+0.002} / _{+0.000} | .750 ^{+0.000} / _{-0.002} | 1.124 ^{+0.000} / _{-0.002} | 1.125 ^{+0.002} / _{+0.000} | 4.61 |
| P187-00.750-312B | 3/4 | 1-1/8 | 5/16 | .344 ^{+0.015} / _{+0.000} | .750 ^{+0.000} / _{-0.002} | .751 ^{+0.002} / _{+0.000} | 1.125 ^{+0.002} / _{+0.000} | .750 ^{+0.000} / _{-0.002} | 1.124 ^{+0.000} / _{-0.002} | 1.125 ^{+0.002} / _{+0.000} | 5.31 |

FORMERLY LISTED SEALS ARE AVAILABLE ONLINE AT WWW.HERCULESUS.COM
OR BY CONTACTING YOUR REGIONAL HERCULES SALES TEAM.



STYLE 850 POLYURETHANE U-SEALS

U-SEALS

| Part Number | A Nom. ID | B Nom. OD | C Nom. Ht | D GROOVE WIDTH | E ROD DIAMETER | F THROAT DIAMETER | G HOUSING DIAMETER | H GROOVE DIAMETER | I PISTON DIAMETER | J BORE DIAMETER | List Price |
|-------------------|-----------|-----------|-----------|-------------------------|--------------------------|--------------------------|--------------------------|--------------------------|--------------------------|--------------------------|------------|
| P187-00.750-312D | 3/4 | 1-1/8 | 5/16 | .344 +.015 +0.000 | .750 +.000 -0.002 | .751 +.002 +0.000 | 1.125 +.002 +0.000 | .750 +.000 -0.002 | 1.124 +.000 -0.002 | 1.125 +.002 +0.000 | 5.31 |
| P187-00.875 | 7/8 | 1-1/4 | 3/16 | .207 +.015 +0.000 | .875 +.000 -0.002 | .876 +.002 +0.000 | 1.250 +.002 +0.000 | .875 +.000 -0.002 | 1.249 +.000 -0.002 | 1.250 +.002 +0.000 | 4.98 |
| P187-00.875-312B | 7/8 | 1-1/4 | 5/16 | .344 +.015 +0.000 | .875 +.000 -0.002 | .876 +.002 +0.000 | 1.250 +.002 +0.000 | .875 +.000 -0.002 | 1.249 +.000 -0.002 | 1.250 +.002 +0.000 | 5.63 |
| P187-00.875-375D | 7/8 | 1-1/4 | 3/8 | .413 +.015 +0.000 | .875 +.000 -0.002 | .876 +.002 +0.000 | 1.250 +.002 +0.000 | .875 +.000 -0.002 | 1.249 +.000 -0.002 | 1.250 +.002 +0.000 | 9.34 |
| P187-00.937 | 15/16 | 1-5/16 | 3/16 | .207 +.015 +0.000 | .937 +.000 -0.002 | .938 +.002 +0.000 | 1.313 +.002 +0.000 | .937 +.000 -0.002 | 1.311 +.000 -0.002 | 1.313 +.002 +0.000 | 8.62 |
| P187-00.937-312B | 15/16 | 1-5/16 | 5/16 | .344 +.015 +0.000 | .937 +.000 -0.002 | .938 +.002 +0.000 | 1.313 +.002 +0.000 | .937 +.000 -0.002 | 1.311 +.000 -0.002 | 1.313 +.002 +0.000 | 9.47 |
| P187-01.000 | 1 | 1-3/8 | 3/16 | .207 +.015 +0.000 | 1.000 +.000 -0.002 | 1.001 +.002 +0.000 | 1.375 +.002 +0.000 | 1.000 +.000 -0.002 | 1.374 +.000 -0.002 | 1.375 +.002 +0.000 | 5.04 |
| P187-01.000-287B | 1 | 1-3/8 | 9/32 | .310 +.015 +0.000 | 1.000 +.000 -0.002 | 1.001 +.002 +0.000 | 1.375 +.002 +0.000 | 1.000 +.000 -0.002 | 1.374 +.000 -0.002 | 1.375 +.002 +0.000 | 8.20 |
| P187-01.000-312B | 1 | 1-3/8 | 5/16 | .344 +.015 +0.000 | 1.000 +.000 -0.002 | 1.001 +.002 +0.000 | 1.375 +.002 +0.000 | 1.000 +.000 -0.002 | 1.374 +.000 -0.002 | 1.375 +.002 +0.000 | 5.65 |
| P187-01.000-312D | 1 | 1-3/8 | 5/16 | .344 +.015 +0.000 | 1.000 +.000 -0.002 | 1.001 +.002 +0.000 | 1.375 +.002 +0.000 | 1.000 +.000 -0.002 | 1.374 +.000 -0.002 | 1.375 +.002 +0.000 | 6.57 |
| P187-01.125 | 1-1/8 | 1-1/2 | 3/16 | .207 +.015 +0.000 | 1.125 +.000 -0.002 | 1.126 +.002 +0.000 | 1.500 +.002 +0.000 | 1.125 +.000 -0.002 | 1.499 +.000 -0.002 | 1.500 +.002 +0.000 | 5.30 |
| P187-01.125-187B | 1-1/8 | 1-1/2 | 3/16 | .207 +.015 +0.000 | 1.125 +.000 -0.002 | 1.126 +.002 +0.000 | 1.500 +.002 +0.000 | 1.125 +.000 -0.002 | 1.499 +.000 -0.002 | 1.500 +.002 +0.000 | 5.30 |
| P187-01.125-312B | 1-1/8 | 1-1/2 | 5/16 | .344 +.015 +0.000 | 1.125 +.000 -0.002 | 1.126 +.002 +0.000 | 1.500 +.002 +0.000 | 1.125 +.000 -0.002 | 1.499 +.000 -0.002 | 1.500 +.002 +0.000 | 5.92 |
| P187-01.187 | 1-3/16 | 1-9/16 | 3/16 | .207 +.015 +0.000 | 1.187 +.000 -0.002 | 1.188 +.002 +0.000 | 1.563 +.002 +0.000 | 1.187 +.000 -0.002 | 1.561 +.000 -0.002 | 1.563 +.002 +0.000 | 5.49 |
| P187-01.250 | 1-1/4 | 1-5/8 | 3/16 | .207 +.015 +0.000 | 1.250 +.000 -0.002 | 1.251 +.002 +0.000 | 1.625 +.002 +0.000 | 1.250 +.000 -0.002 | 1.624 +.000 -0.002 | 1.625 +.002 +0.000 | 5.91 |
| P187-01.250-250B | 1-1/4 | 1-5/8 | 1/4 | .275 +.015 +0.000 | 1.250 +.000 -0.002 | 1.251 +.002 +0.000 | 1.625 +.002 +0.000 | 1.250 +.000 -0.002 | 1.624 +.000 -0.002 | 1.625 +.002 +0.000 | 6.39 |
| P187-01.250-312B | 1-1/4 | 1-5/8 | 5/16 | .344 +.015 +0.000 | 1.250 +.000 -0.002 | 1.251 +.002 +0.000 | 1.625 +.002 +0.000 | 1.250 +.000 -0.002 | 1.624 +.000 -0.002 | 1.625 +.002 +0.000 | 6.07 |
| P187-01.250-312D | 1-1/4 | 1-5/8 | 5/16 | .344 +.015 +0.000 | 1.250 +.000 -0.002 | 1.251 +.002 +0.000 | 1.625 +.002 +0.000 | 1.250 +.000 -0.002 | 1.624 +.000 -0.002 | 1.625 +.002 +0.000 | 7.81 |
| P187-01.250-375B | 1-1/4 | 1-5/8 | 3/8 | .413 +.015 +0.000 | 1.250 +.000 -0.002 | 1.251 +.002 +0.000 | 1.625 +.002 +0.000 | 1.250 +.000 -0.002 | 1.624 +.000 -0.002 | 1.625 +.002 +0.000 | 6.30 |
| P187-01.312 | 1-5/16 | 1-11/16 | 3/16 | .207 +.015 +0.000 | 1.312 +.000 -0.002 | 1.313 +.002 +0.000 | 1.688 +.002 +0.000 | 1.312 +.000 -0.002 | 1.686 +.000 -0.002 | 1.688 +.002 +0.000 | 7.59 |
| P187-01.312-312B | 1-5/16 | 1-11/16 | 5/16 | .344 +.015 +0.000 | 1.312 +.000 -0.002 | 1.313 +.002 +0.000 | 1.688 +.002 +0.000 | 1.312 +.000 -0.002 | 1.686 +.000 -0.002 | 1.688 +.002 +0.000 | 6.24 |
| P187-01.375 | 1-3/8 | 1-3/4 | 3/16 | .207 +.015 +0.000 | 1.375 +.000 -0.002 | 1.376 +.002 +0.000 | 1.750 +.002 +0.000 | 1.375 +.000 -0.002 | 1.749 +.000 -0.002 | 1.750 +.002 +0.000 | 5.74 |
| P187-01.375-312B | 1-3/8 | 1-3/4 | 5/16 | .344 +.015 +0.000 | 1.375 +.000 -0.002 | 1.376 +.002 +0.000 | 1.750 +.002 +0.000 | 1.375 +.000 -0.002 | 1.749 +.000 -0.002 | 1.750 +.002 +0.000 | 6.44 |
| P187-01.375-312D | 1-3/8 | 1-3/4 | 5/16 | .344 +.015 +0.000 | 1.375 +.000 -0.002 | 1.376 +.002 +0.000 | 1.750 +.002 +0.000 | 1.375 +.000 -0.002 | 1.749 +.000 -0.002 | 1.750 +.002 +0.000 | 7.81 |
| P187-01.500 | 1-1/2 | 1-7/8 | 3/16 | .207 +.015 +0.000 | 1.500 +.000 -0.002 | 1.501 +.002 +0.000 | 1.875 +.002 +0.000 | 1.500 +.000 -0.002 | 1.874 +.000 -0.002 | 1.875 +.002 +0.000 | 5.89 |
| P187-01.500-187B | 1-1/2 | 1-7/8 | 3/16 | .207 +.015 +0.000 | 1.500 +.000 -0.002 | 1.501 +.002 +0.000 | 1.875 +.002 +0.000 | 1.500 +.000 -0.002 | 1.874 +.000 -0.002 | 1.875 +.002 +0.000 | 5.89 |
| P187-01.500-312B | 1-1/2 | 1-7/8 | 5/16 | .344 +.015 +0.000 | 1.500 +.000 -0.002 | 1.501 +.002 +0.000 | 1.875 +.002 +0.000 | 1.500 +.000 -0.002 | 1.874 +.000 -0.002 | 1.875 +.002 +0.000 | 7.50 |
| P187-01.500-375B | 1-1/2 | 1-7/8 | 3/8 | .413 +.015 +0.000 | 1.500 +.000 -0.002 | 1.501 +.002 +0.000 | 1.875 +.002 +0.000 | 1.500 +.000 -0.002 | 1.874 +.000 -0.002 | 1.875 +.002 +0.000 | 6.53 |
| P187-01.500-375BP | 1-1/2 | 1-7/8 | 3/8 | .413 +.015 +0.000 | 1.500 +.000 -0.002 | 1.501 +.002 +0.000 | 1.875 +.002 +0.000 | 1.500 +.000 -0.002 | 1.874 +.000 -0.002 | 1.875 +.002 +0.000 | 20.56 |
| P187-01.562 | 1-9/16 | 1-15/16 | 3/16 | .207 +.015 +0.000 | 1.562 +.000 -0.002 | 1.563 +.002 +0.000 | 1.938 +.002 +0.000 | 1.562 +.000 -0.002 | 1.936 +.000 -0.002 | 1.938 +.002 +0.000 | 14.87 |
| P187-01.625 | 1-5/8 | 2 | 3/16 | .207 +.015 +0.000 | 1.625 +.000 -0.002 | 1.626 +.002 +0.000 | 2.000 +.002 +0.000 | 1.625 +.000 -0.002 | 1.999 +.000 -0.002 | 2.000 +.002 +0.000 | 6.15 |
| P187-01.625-250D | 1-5/8 | 2 | 1/4 | .275 +.015 +0.000 | 1.625 +.000 -0.002 | 1.626 +.002 +0.000 | 2.000 +.002 +0.000 | 1.625 +.000 -0.002 | 1.999 +.000 -0.002 | 2.000 +.002 +0.000 | 13.93 |
| P187-01.625-312B | 1-5/8 | 2 | 5/16 | .344 +.015 +0.000 | 1.625 +.000 -0.002 | 1.626 +.002 +0.000 | 2.000 +.002 +0.000 | 1.625 +.000 -0.002 | 1.999 +.000 -0.002 | 2.000 +.002 +0.000 | 7.29 |

NORTH AMERICA
PHONE 1-800-777-5617
FAX 1-800-759-6391

SALES OFFICE HOURS
8 A.M. TO 7:30 P.M. EASTERN TIME
www.HerculesUS.com

WORLDWIDE
PHONE 1-727-796-1300
FAX 1-727-797-8849

STYLE 850 POLYURETHANE U-SEALS

| Part Number | A Nom. ID | B Nom. OD | C Nom. Ht | D GROOVE WIDTH | E ROD DIAMETER | F THROAT DIAMETER | G HOUSING DIAMETER | H GROOVE DIAMETER | I PISTON DIAMETER | J BORE DIAMETER | List Price | | | | | | | |
|--------------------|-----------|-----------|-----------|----------------|------------------|-------------------|--------------------|-------------------|-------------------|-----------------|------------------|-------|------------------|-------|------------------|-------|------------------|-------|
| P187-01.625-375B | 1-5/8 | 2 | 3/8 | .413 | +0.015 +0.000 | 1.625 | +0.000 -0.002 | 1.626 | +0.002 +0.000 | 2.000 | +0.002 -0.002 | 1.625 | +0.000 -0.002 | 1.999 | +0.000 -0.002 | 2.000 | +0.002 +0.000 | 6.96 |
| P187-01.625-375D | 1-5/8 | 2 | 3/8 | .413 | +0.015 +0.000 | 1.625 | +0.000 -0.002 | 1.626 | +0.002 +0.000 | 2.000 | +0.002 +0.000 | 1.625 | +0.000 -0.002 | 1.999 | +0.000 -0.002 | 2.000 | +0.002 +0.000 | 11.37 |
| P187-01.750 | 1-3/4 | 2-1/8 | 3/16 | .207 | +0.015 +0.000 | 1.750 | +0.000 -0.002 | 1.751 | +0.002 +0.000 | 2.125 | +0.002 +0.000 | 1.750 | +0.000 -0.002 | 2.124 | +0.000 -0.002 | 2.125 | +0.002 +0.000 | 6.26 |
| P187-01.750-230B | 1-3/4 | 2-1/8 | 7/32 | .241 | +0.015 +0.000 | 1.750 | +0.000 -0.002 | 1.751 | +0.002 +0.000 | 2.125 | +0.002 +0.000 | 1.750 | +0.000 -0.002 | 2.124 | +0.000 -0.002 | 2.125 | +0.002 +0.000 | 7.37 |
| P187-01.750-250D | 1-3/4 | 2-1/8 | 1/4 | .275 | +0.015 +0.000 | 1.750 | +0.000 -0.002 | 1.751 | +0.002 +0.000 | 2.125 | +0.002 +0.000 | 1.750 | +0.000 -0.002 | 2.124 | +0.000 -0.002 | 2.125 | +0.002 +0.000 | 14.48 |
| P187-01.750-312B | 1-3/4 | 2-1/8 | 5/16 | .344 | +0.015 +0.000 | 1.750 | +0.000 -0.002 | 1.751 | +0.002 +0.000 | 2.125 | +0.002 +0.000 | 1.750 | +0.000 -0.002 | 2.124 | +0.000 -0.002 | 2.125 | +0.002 +0.000 | 7.37 |
| P187-01.750-375B | 1-3/4 | 2-1/8 | 3/8 | .413 | +0.015 +0.000 | 1.750 | +0.000 -0.002 | 1.751 | +0.002 +0.000 | 2.125 | +0.002 +0.000 | 1.750 | +0.000 -0.002 | 2.124 | +0.000 -0.002 | 2.125 | +0.002 +0.000 | 7.37 |
| P187-01.875 | 1-7/8 | 2-1/4 | 3/16 | .207 | +0.015 +0.000 | 1.875 | +0.000 -0.002 | 1.876 | +0.002 +0.000 | 2.250 | +0.002 +0.000 | 1.875 | +0.000 -0.002 | 2.249 | +0.000 -0.002 | 2.250 | +0.002 +0.000 | 10.30 |
| P187-01.875-375B | 1-7/8 | 2-1/4 | 3/8 | .413 | +0.015 +0.000 | 1.875 | +0.000 -0.002 | 1.876 | +0.002 +0.000 | 2.250 | +0.002 +0.000 | 1.875 | +0.000 -0.002 | 2.249 | +0.000 -0.002 | 2.250 | +0.002 +0.000 | 7.80 |
| P187-01.875-375D | 1-7/8 | 2-1/4 | 3/8 | .413 | +0.015 +0.000 | 1.875 | +0.000 -0.002 | 1.876 | +0.002 +0.000 | 2.250 | +0.002 +0.000 | 1.875 | +0.000 -0.002 | 2.249 | +0.000 -0.002 | 2.250 | +0.002 +0.000 | 8.20 |
| P187-02.000 | 2 | 2-3/8 | 3/16 | .207 | +0.015 +0.000 | 2.000 | +0.000 -0.002 | 2.001 | +0.002 +0.000 | 2.375 | +0.002 +0.000 | 2.000 | +0.000 -0.002 | 2.374 | +0.000 -0.002 | 2.375 | +0.002 +0.000 | 8.22 |
| P187-02.000-230B | 2 | 2-3/8 | 7/32 | .241 | +0.015 +0.000 | 2.000 | +0.000 -0.002 | 2.001 | +0.002 +0.000 | 2.375 | +0.002 +0.000 | 2.000 | +0.000 -0.002 | 2.374 | +0.000 -0.002 | 2.375 | +0.002 +0.000 | 8.22 |
| P187-02.000-250B | 2 | 2-3/8 | 1/4 | .275 | +0.015 +0.000 | 2.000 | +0.000 -0.002 | 2.001 | +0.002 +0.000 | 2.375 | +0.002 +0.000 | 2.000 | +0.000 -0.002 | 2.374 | +0.000 -0.002 | 2.375 | +0.002 +0.000 | 7.53 |
| P187-02.000-275B | 2 | 2-3/8 | 9/32 | .310 | +0.015 +0.000 | 2.000 | +0.000 -0.002 | 2.001 | +0.002 +0.000 | 2.375 | +0.002 +0.000 | 2.000 | +0.000 -0.002 | 2.374 | +0.000 -0.002 | 2.375 | +0.002 +0.000 | 9.59 |
| P187-02.000-312B | 2 | 2-3/8 | 5/16 | .344 | +0.015 +0.000 | 2.000 | +0.000 -0.002 | 2.001 | +0.002 +0.000 | 2.375 | +0.002 +0.000 | 2.000 | +0.000 -0.002 | 2.374 | +0.000 -0.002 | 2.375 | +0.002 +0.000 | 8.22 |
| P187-02.000-375B | 2 | 2-3/8 | 3/8 | .413 | +0.015 +0.000 | 2.000 | +0.000 -0.002 | 2.001 | +0.002 +0.000 | 2.375 | +0.002 +0.000 | 2.000 | +0.000 -0.002 | 2.374 | +0.000 -0.002 | 2.375 | +0.002 +0.000 | 8.22 |
| P187-02.125 | 2-1/8 | 2-1/2 | 3/16 | .207 | +0.015 +0.000 | 2.125 | +0.000 -0.002 | 2.126 | +0.002 +0.000 | 2.500 | +0.002 +0.000 | 2.125 | +0.000 -0.002 | 2.499 | +0.000 -0.002 | 2.500 | +0.002 +0.000 | 6.73 |
| P187-02.125-187B | 2-1/8 | 2-1/2 | 3/16 | .207 | +0.015 +0.000 | 2.125 | +0.000 -0.002 | 2.126 | +0.002 +0.000 | 2.500 | +0.002 +0.000 | 2.125 | +0.000 -0.002 | 2.499 | +0.000 -0.002 | 2.500 | +0.002 +0.000 | 6.73 |
| P187-02.125-312D | 2-1/8 | 2-1/2 | 5/16 | .344 | +0.015 +0.000 | 2.125 | +0.000 -0.002 | 2.126 | +0.002 +0.000 | 2.500 | +0.002 +0.000 | 2.125 | +0.000 -0.002 | 2.499 | +0.000 -0.002 | 2.500 | +0.002 +0.000 | 12.97 |
| P187-02.125-375B | 2-1/8 | 2-1/2 | 3/8 | .413 | +0.015 +0.000 | 2.125 | +0.000 -0.002 | 2.126 | +0.002 +0.000 | 2.500 | +0.002 +0.000 | 2.125 | +0.000 -0.002 | 2.499 | +0.000 -0.002 | 2.500 | +0.002 +0.000 | 8.49 |
| P187-02.125-375D | 2-1/8 | 2-1/2 | 3/8 | .413 | +0.015 +0.000 | 2.125 | +0.000 -0.002 | 2.126 | +0.002 +0.000 | 2.500 | +0.002 +0.000 | 2.125 | +0.000 -0.002 | 2.499 | +0.000 -0.002 | 2.500 | +0.002 +0.000 | 8.31 |
| P187-02.250 | 2-1/4 | 2-5/8 | 3/16 | .207 | +0.015 +0.000 | 2.250 | +0.000 -0.002 | 2.251 | +0.002 +0.000 | 2.625 | +0.002 +0.000 | 2.250 | +0.000 -0.002 | 2.624 | +0.000 -0.002 | 2.625 | +0.002 +0.000 | 11.59 |
| P187-02.250-375B | 2-1/4 | 2-5/8 | 3/8 | .413 | +0.015 +0.000 | 2.250 | +0.000 -0.002 | 2.251 | +0.002 +0.000 | 2.625 | +0.002 +0.000 | 2.250 | +0.000 -0.002 | 2.624 | +0.000 -0.002 | 2.625 | +0.002 +0.000 | 9.18 |
| P187-02.250-375D | 2-1/4 | 2-5/8 | 3/8 | .413 | +0.015 +0.000 | 2.250 | +0.000 -0.002 | 2.251 | +0.002 +0.000 | 2.625 | +0.002 +0.000 | 2.250 | +0.000 -0.002 | 2.624 | +0.000 -0.002 | 2.625 | +0.002 +0.000 | 9.18 |
| P187-02.375 | 2-3/8 | 2-3/4 | 3/16 | .207 | +0.015 +0.000 | 2.375 | +0.000 -0.002 | 2.376 | +0.002 +0.000 | 2.750 | +0.002 +0.000 | 2.375 | +0.000 -0.002 | 2.749 | +0.000 -0.002 | 2.750 | +0.002 +0.000 | 7.87 |
| P187-02.375-375B | 2-3/8 | 2-3/4 | 3/8 | .413 | +0.015 +0.000 | 2.375 | +0.000 -0.002 | 2.376 | +0.002 +0.000 | 2.750 | +0.002 +0.000 | 2.375 | +0.000 -0.002 | 2.749 | +0.000 -0.002 | 2.750 | +0.002 +0.000 | 9.96 |
| P187-02.500 | 2-1/2 | 2-7/8 | 3/16 | .207 | +0.015 +0.000 | 2.500 | +0.000 -0.002 | 2.501 | +0.002 +0.000 | 2.875 | +0.002 +0.000 | 2.500 | +0.000 -0.002 | 2.874 | +0.000 -0.002 | 2.875 | +0.002 +0.000 | 12.08 |
| P187-02.500-250B | 2-1/2 | 2-7/8 | 1/4 | .275 | +0.015 +0.000 | 2.500 | +0.000 -0.002 | 2.501 | +0.002 +0.000 | 2.875 | +0.002 +0.000 | 2.500 | +0.000 -0.002 | 2.874 | +0.000 -0.002 | 2.875 | +0.002 +0.000 | 13.30 |
| P187-02.500-375B | 2-1/2 | 2-7/8 | 3/8 | .413 | +0.015 +0.000 | 2.500 | +0.000 -0.002 | 2.501 | +0.002 +0.000 | 2.875 | +0.002 +0.000 | 2.500 | +0.000 -0.002 | 2.874 | +0.000 -0.002 | 2.875 | +0.002 +0.000 | 9.89 |
| P187-02.500-375BPM | 2-1/2 | 2-7/8 | 3/8 | .413 | +0.015 +0.000 | 2.500 | +0.000 -0.002 | 2.501 | +0.002 +0.000 | 2.875 | +0.002 +0.000 | 2.500 | +0.000 -0.002 | 2.874 | +0.000 -0.002 | 2.875 | +0.002 +0.000 | 17.66 |
| P187-02.500-375D | 2-1/2 | 2-7/8 | 3/8 | .413 | +0.015 +0.000 | 2.500 | +0.000 -0.002 | 2.501 | +0.002 +0.000 | 2.875 | +0.002 +0.000 | 2.500 | +0.000 -0.002 | 2.874 | +0.000 -0.002 | 2.875 | +0.002 +0.000 | 9.89 |
| P187-02.625 | 2-5/8 | 3 | 3/16 | .207 | +0.015 +0.000 | 2.625 | +0.000 -0.002 | 2.626 | +0.002 +0.000 | 3.000 | +0.002 +0.000 | 2.625 | +0.000 -0.002 | 2.999 | +0.000 -0.002 | 3.000 | +0.002 +0.000 | 7.40 |
| P187-02.625-375B | 2-5/8 | 3 | 3/8 | .413 | +0.015 +0.000 | 2.625 | +0.000 -0.002 | 2.626 | +0.002 +0.000 | 3.000 | +0.002 +0.000 | 2.625 | +0.000 -0.002 | 2.999 | +0.000 -0.002 | 3.000 | +0.002 +0.000 | 10.29 |

U-SEALS

STYLE 850 POLYURETHANE U-SEALS

| Part Number | A Nom. ID | B Nom. OD | C Nom. Ht | D GROOVE WIDTH | E ROD DIAMETER | F THROAT DIAMETER | G HOUSING DIAMETER | H GROOVE DIAMETER | I PISTON DIAMETER | J BORE DIAMETER | List Price |
|--------------------|-----------|-----------|-----------|----------------|-------------------------------------|-------------------------------------|-------------------------------------|-------------------------------------|-------------------------------------|-------------------------------------|------------|
| P250-03.750-375B | 3-3/4 | 4-1/4 | 3/8 | .413 | ^{+0.015} _{+0.000} | ^{+0.003} _{-0.002} | ^{+0.003} _{+0.000} | ^{+0.003} _{+0.000} | ^{+0.000} _{-0.003} | ^{+0.003} _{+0.000} | 16.02 |
| P250-03.750-375D | 3-3/4 | 4-1/4 | 3/8 | .413 | ^{+0.015} _{+0.000} | ^{+0.003} _{-0.002} | ^{+0.003} _{+0.000} | ^{+0.003} _{+0.000} | ^{+0.000} _{-0.003} | ^{+0.003} _{+0.000} | 19.77 |
| P250-04.000 | 4 | 4-1/2 | 1/4 | .275 | ^{+0.015} _{+0.000} | ^{+0.003} _{-0.002} | ^{+0.003} _{+0.000} | ^{+0.003} _{+0.000} | ^{+0.000} _{-0.003} | ^{+0.003} _{+0.000} | 14.93 |
| P250-04.000-312BHN | 4 | 4-1/2 | 5/16 | .344 | ^{+0.015} _{+0.000} | ^{+0.003} _{-0.002} | ^{+0.003} _{+0.000} | ^{+0.003} _{+0.000} | ^{+0.000} _{-0.003} | ^{+0.003} _{+0.000} | 79.94 |
| P250-04.000-375B | 4 | 4-1/2 | 3/8 | .413 | ^{+0.015} _{+0.000} | ^{+0.003} _{-0.002} | ^{+0.003} _{+0.000} | ^{+0.003} _{+0.000} | ^{+0.000} _{-0.003} | ^{+0.003} _{+0.000} | 17.41 |
| P250-04.000-375D | 4 | 4-1/2 | 3/8 | .413 | ^{+0.015} _{+0.000} | ^{+0.003} _{-0.002} | ^{+0.003} _{+0.000} | ^{+0.003} _{+0.000} | ^{+0.000} _{-0.003} | ^{+0.003} _{+0.000} | 17.41 |
| P250-04.000-562B | 4 | 4-1/2 | 9/16 | .619 | ^{+0.015} _{+0.000} | ^{+0.003} _{-0.002} | ^{+0.003} _{+0.000} | ^{+0.003} _{+0.000} | ^{+0.000} _{-0.003} | ^{+0.003} _{+0.000} | 17.41 |
| P250-04.000-562D | 4 | 4-1/2 | 9/16 | .619 | ^{+0.015} _{+0.000} | ^{+0.003} _{-0.002} | ^{+0.003} _{+0.000} | ^{+0.003} _{+0.000} | ^{+0.000} _{-0.003} | ^{+0.003} _{+0.000} | 17.08 |
| P250-04.250 | 4-1/4 | 4-3/4 | 1/4 | .275 | ^{+0.015} _{+0.000} | ^{+0.003} _{-0.002} | ^{+0.003} _{+0.000} | ^{+0.003} _{+0.000} | ^{+0.000} _{-0.003} | ^{+0.003} _{+0.000} | 15.80 |
| P250-04.250-375B | 4-1/4 | 4-3/4 | 3/8 | .413 | ^{+0.015} _{+0.000} | ^{+0.003} _{-0.002} | ^{+0.003} _{+0.000} | ^{+0.003} _{+0.000} | ^{+0.000} _{-0.003} | ^{+0.003} _{+0.000} | 19.86 |
| P250-04.250-375BPM | 4-1/4 | 4-3/4 | 3/8 | .413 | ^{+0.015} _{+0.000} | ^{+0.003} _{-0.002} | ^{+0.003} _{+0.000} | ^{+0.003} _{+0.000} | ^{+0.000} _{-0.003} | ^{+0.003} _{+0.000} | 41.36 |
| P250-04.250-562B | 4-1/4 | 4-3/4 | 9/16 | .619 | ^{+0.015} _{+0.000} | ^{+0.003} _{-0.002} | ^{+0.003} _{+0.000} | ^{+0.003} _{+0.000} | ^{+0.000} _{-0.003} | ^{+0.003} _{+0.000} | 20.87 |
| P250-04.250-562D | 4-1/4 | 4-3/4 | 9/16 | .619 | ^{+0.015} _{+0.000} | ^{+0.003} _{-0.002} | ^{+0.003} _{+0.000} | ^{+0.003} _{+0.000} | ^{+0.000} _{-0.003} | ^{+0.003} _{+0.000} | 20.87 |
| P250-04.375 | 4-3/8 | 4-7/8 | 1/4 | .275 | ^{+0.015} _{+0.000} | ^{+0.003} _{-0.002} | ^{+0.003} _{+0.000} | ^{+0.003} _{+0.000} | ^{+0.000} _{-0.003} | ^{+0.003} _{+0.000} | 20.22 |
| P250-04.500 | 4-1/2 | 5 | 1/4 | .275 | ^{+0.015} _{+0.000} | ^{+0.003} _{-0.002} | ^{+0.003} _{+0.000} | ^{+0.003} _{+0.000} | ^{+0.000} _{-0.003} | ^{+0.003} _{+0.000} | 16.71 |
| P250-04.500-312BHN | 4-1/2 | 5 | 5/16 | .344 | ^{+0.015} _{+0.000} | ^{+0.003} _{-0.002} | ^{+0.003} _{+0.000} | ^{+0.003} _{+0.000} | ^{+0.000} _{-0.003} | ^{+0.003} _{+0.000} | 87.90 |
| P250-04.500-375B | 4-1/2 | 5 | 3/8 | .413 | ^{+0.015} _{+0.000} | ^{+0.003} _{-0.002} | ^{+0.003} _{+0.000} | ^{+0.003} _{+0.000} | ^{+0.000} _{-0.003} | ^{+0.003} _{+0.000} | 20.65 |
| P250-04.500-375D | 4-1/2 | 5 | 3/8 | .413 | ^{+0.015} _{+0.000} | ^{+0.003} _{-0.002} | ^{+0.003} _{+0.000} | ^{+0.003} _{+0.000} | ^{+0.000} _{-0.003} | ^{+0.003} _{+0.000} | 20.65 |
| P250-04.500-562B | 4-1/2 | 5 | 9/16 | .619 | ^{+0.015} _{+0.000} | ^{+0.003} _{-0.002} | ^{+0.003} _{+0.000} | ^{+0.003} _{+0.000} | ^{+0.000} _{-0.003} | ^{+0.003} _{+0.000} | 20.65 |
| P250-04.500-562D | 4-1/2 | 5 | 9/16 | .619 | ^{+0.015} _{+0.000} | ^{+0.003} _{-0.002} | ^{+0.003} _{+0.000} | ^{+0.003} _{+0.000} | ^{+0.000} _{-0.003} | ^{+0.003} _{+0.000} | 20.27 |
| P250-04.750 | 4-3/4 | 5-1/4 | 1/4 | .275 | ^{+0.015} _{+0.000} | ^{+0.003} _{-0.002} | ^{+0.003} _{+0.000} | ^{+0.003} _{+0.000} | ^{+0.000} _{-0.003} | ^{+0.003} _{+0.000} | 17.52 |
| P250-04.750-375B | 4-3/4 | 5-1/4 | 3/8 | .413 | ^{+0.015} _{+0.000} | ^{+0.003} _{-0.002} | ^{+0.003} _{+0.000} | ^{+0.003} _{+0.000} | ^{+0.000} _{-0.003} | ^{+0.003} _{+0.000} | 22.68 |
| P250-04.750-562B | 4-3/4 | 5-1/4 | 9/16 | .619 | ^{+0.015} _{+0.000} | ^{+0.003} _{-0.002} | ^{+0.003} _{+0.000} | ^{+0.003} _{+0.000} | ^{+0.000} _{-0.003} | ^{+0.003} _{+0.000} | 21.60 |
| P250-04.750-562D | 4-3/4 | 5-1/4 | 9/16 | .619 | ^{+0.015} _{+0.000} | ^{+0.003} _{-0.002} | ^{+0.003} _{+0.000} | ^{+0.003} _{+0.000} | ^{+0.000} _{-0.003} | ^{+0.003} _{+0.000} | 26.97 |
| P250-05.000 | 5 | 5-1/2 | 1/4 | .275 | ^{+0.015} _{+0.000} | ^{+0.003} _{-0.002} | ^{+0.003} _{+0.000} | ^{+0.003} _{+0.000} | ^{+0.000} _{-0.003} | ^{+0.003} _{+0.000} | 18.36 |
| P250-05.000-375B | 5 | 5-1/2 | 3/8 | .413 | ^{+0.015} _{+0.000} | ^{+0.003} _{-0.002} | ^{+0.003} _{+0.000} | ^{+0.003} _{+0.000} | ^{+0.000} _{-0.003} | ^{+0.003} _{+0.000} | 23.90 |
| P250-05.000-375D | 5 | 5-1/2 | 3/8 | .413 | ^{+0.015} _{+0.000} | ^{+0.003} _{-0.002} | ^{+0.003} _{+0.000} | ^{+0.003} _{+0.000} | ^{+0.000} _{-0.003} | ^{+0.003} _{+0.000} | 23.90 |
| P250-05.000-562B | 5 | 5-1/2 | 9/16 | .619 | ^{+0.015} _{+0.000} | ^{+0.003} _{-0.002} | ^{+0.003} _{+0.000} | ^{+0.003} _{+0.000} | ^{+0.000} _{-0.003} | ^{+0.003} _{+0.000} | 23.90 |
| P250-05.000-562D | 5 | 5-1/2 | 9/16 | .619 | ^{+0.015} _{+0.000} | ^{+0.003} _{-0.002} | ^{+0.003} _{+0.000} | ^{+0.003} _{+0.000} | ^{+0.000} _{-0.003} | ^{+0.003} _{+0.000} | 23.90 |
| P250-05.250 | 5-1/4 | 5-3/4 | 1/4 | .275 | ^{+0.015} _{+0.000} | ^{+0.003} _{-0.002} | ^{+0.003} _{+0.000} | ^{+0.003} _{+0.000} | ^{+0.000} _{-0.003} | ^{+0.003} _{+0.000} | 18.95 |
| P250-05.375 | 5-3/8 | 5-7/8 | 1/4 | .275 | ^{+0.015} _{+0.000} | ^{+0.003} _{-0.002} | ^{+0.003} _{+0.000} | ^{+0.003} _{+0.000} | ^{+0.000} _{-0.003} | ^{+0.003} _{+0.000} | 19.52 |
| P250-05.500 | 5-1/2 | 6 | 1/4 | .275 | ^{+0.015} _{+0.000} | ^{+0.003} _{-0.002} | ^{+0.003} _{+0.000} | ^{+0.003} _{+0.000} | ^{+0.000} _{-0.003} | ^{+0.003} _{+0.000} | 20.08 |
| P250-05.500-375B | 5-1/2 | 6 | 3/8 | .413 | ^{+0.015} _{+0.000} | ^{+0.003} _{-0.002} | ^{+0.003} _{+0.000} | ^{+0.003} _{+0.000} | ^{+0.000} _{-0.003} | ^{+0.003} _{+0.000} | 27.12 |

U-SEALS



STYLE 850 POLYURETHANE U-SEALS

| Part Number | A Nom. ID | B Nom. OD | C Nom. Ht | D GROOVE WIDTH | E ROD DIAMETER | F THROAT DIAMETER | G HOUSING DIAMETER | H GROOVE DIAMETER | I PISTON DIAMETER | J BORE DIAMETER | List Price | | | | | | | |
|------------------|-----------|-----------|-----------|----------------|------------------|-------------------|--------------------|-------------------|-------------------|-----------------|------------------|-------|------------------|-------|------------------|-------|------------------|-------|
| P375-01.750 | 1-3/4 | 2-1/2 | 3/8 | .413 | +0.015 +0.000 | 1.750 | +0.000 -0.002 | 1.752 | +0.004 +0.000 | 2.500 | +0.005 +0.000 | 1.750 | +0.000 -0.005 | 2.498 | +0.000 -0.002 | 2.500 | +0.004 +0.000 | 12.08 |
| P375-01.750-625B | 1-3/4 | 2-1/2 | 5/8 | .688 | +0.015 +0.000 | 1.750 | +0.000 -0.002 | 1.752 | +0.004 +0.000 | 2.500 | +0.005 +0.000 | 1.750 | +0.000 -0.005 | 2.498 | +0.000 -0.002 | 2.500 | +0.004 +0.000 | 13.14 |
| P375-02.000 | 2 | 2-3/4 | 3/8 | .413 | +0.015 +0.000 | 2.000 | +0.000 -0.002 | 2.002 | +0.004 +0.000 | 2.750 | +0.005 +0.000 | 2.000 | +0.000 -0.005 | 2.748 | +0.000 -0.002 | 2.750 | +0.004 +0.000 | 13.90 |
| P375-02.000-625B | 2 | 2-3/4 | 5/8 | .688 | +0.015 +0.000 | 2.000 | +0.000 -0.002 | 2.002 | +0.004 +0.000 | 2.750 | +0.005 +0.000 | 2.000 | +0.000 -0.005 | 2.748 | +0.000 -0.002 | 2.750 | +0.004 +0.000 | 15.33 |
| P375-02.000-625D | 2 | 2-3/4 | 5/8 | .688 | +0.015 +0.000 | 2.000 | +0.000 -0.002 | 2.002 | +0.004 +0.000 | 2.750 | +0.005 +0.000 | 2.000 | +0.000 -0.005 | 2.748 | +0.000 -0.002 | 2.750 | +0.004 +0.000 | 39.45 |
| P375-02.125 | 2-1/8 | 2-7/8 | 3/8 | .413 | +0.015 +0.000 | 2.125 | +0.000 -0.002 | 2.126 | +0.004 +0.000 | 2.875 | +0.005 +0.000 | 2.125 | +0.000 -0.005 | 2.874 | +0.000 -0.002 | 2.875 | +0.004 +0.000 | 14.65 |
| P375-02.250-625B | 2-1/4 | 3 | 5/8 | .688 | +0.015 +0.000 | 2.250 | +0.000 -0.002 | 2.252 | +0.004 +0.000 | 3.000 | +0.005 +0.000 | 2.250 | +0.000 -0.005 | 2.998 | +0.000 -0.002 | 3.000 | +0.004 +0.000 | 17.08 |
| P375-02.250-625D | 2-1/4 | 3 | 5/8 | .688 | +0.015 +0.000 | 2.250 | +0.000 -0.002 | 2.252 | +0.004 +0.000 | 3.000 | +0.005 +0.000 | 2.250 | +0.000 -0.005 | 2.998 | +0.000 -0.002 | 3.000 | +0.004 +0.000 | 17.08 |
| P375-02.375-625B | 2-3/8 | 3-1/8 | 5/8 | .688 | +0.015 +0.000 | 2.375 | +0.000 -0.002 | 2.377 | +0.004 +0.000 | 3.125 | +0.005 +0.000 | 2.375 | +0.000 -0.005 | 3.123 | +0.000 -0.002 | 3.125 | +0.004 +0.000 | 20.55 |
| P375-02.500 | 2-1/2 | 3-1/4 | 3/8 | .413 | +0.015 +0.000 | 2.500 | +0.000 -0.002 | 2.502 | +0.004 +0.000 | 3.250 | +0.005 +0.000 | 2.500 | +0.000 -0.005 | 3.248 | +0.000 -0.002 | 3.250 | +0.004 +0.000 | 16.90 |
| P375-02.500-625B | 2-1/2 | 3-1/4 | 5/8 | .688 | +0.015 +0.000 | 2.500 | +0.000 -0.002 | 2.502 | +0.004 +0.000 | 3.250 | +0.005 +0.000 | 2.500 | +0.000 -0.005 | 3.248 | +0.000 -0.002 | 3.250 | +0.004 +0.000 | 17.98 |
| P375-02.500-625D | 2-1/2 | 3-1/4 | 5/8 | .688 | +0.015 +0.000 | 2.500 | +0.000 -0.002 | 2.502 | +0.004 +0.000 | 3.250 | +0.005 +0.000 | 2.500 | +0.000 -0.005 | 3.248 | +0.000 -0.002 | 3.250 | +0.004 +0.000 | 17.98 |
| P375-02.625-625B | 2-5/8 | 3-3/8 | 5/8 | .688 | +0.015 +0.000 | 2.625 | +0.000 -0.002 | 2.627 | +0.004 +0.000 | 3.375 | +0.005 +0.000 | 2.625 | +0.000 -0.005 | 3.373 | +0.000 -0.002 | 3.375 | +0.004 +0.000 | 19.41 |
| P375-02.750 | 2-3/4 | 3-1/2 | 3/8 | .413 | +0.015 +0.000 | 2.750 | +0.000 -0.002 | 2.752 | +0.004 +0.000 | 3.500 | +0.005 +0.000 | 2.750 | +0.000 -0.005 | 3.498 | +0.000 -0.002 | 3.500 | +0.004 +0.000 | 17.78 |
| P375-02.750-625B | 2-3/4 | 3-1/2 | 5/8 | .688 | +0.015 +0.000 | 2.750 | +0.000 -0.002 | 2.752 | +0.004 +0.000 | 3.500 | +0.005 +0.000 | 2.750 | +0.000 -0.005 | 3.498 | +0.000 -0.002 | 3.500 | +0.004 +0.000 | 20.52 |
| P375-03.000 | 3 | 3-3/4 | 3/8 | .413 | +0.015 +0.000 | 3.000 | +0.000 -0.002 | 3.002 | +0.004 +0.000 | 3.750 | +0.005 +0.000 | 3.000 | +0.000 -0.005 | 3.748 | +0.000 -0.002 | 3.750 | +0.004 +0.000 | 20.28 |
| P375-03.000-625B | 3 | 3-3/4 | 5/8 | .688 | +0.015 +0.000 | 3.000 | +0.000 -0.002 | 3.002 | +0.004 +0.000 | 3.750 | +0.005 +0.000 | 3.000 | +0.000 -0.005 | 3.748 | +0.000 -0.002 | 3.750 | +0.004 +0.000 | 21.36 |
| P375-03.000-625D | 3 | 3-3/4 | 5/8 | .688 | +0.015 +0.000 | 3.000 | +0.000 -0.002 | 3.002 | +0.004 +0.000 | 3.750 | +0.005 +0.000 | 3.000 | +0.000 -0.005 | 3.748 | +0.000 -0.002 | 3.750 | +0.004 +0.000 | 21.36 |
| P375-03.250 | 3-1/4 | 4 | 3/8 | .413 | +0.015 +0.000 | 3.250 | +0.000 -0.002 | 3.252 | +0.004 +0.000 | 4.000 | +0.005 +0.000 | 3.250 | +0.000 -0.005 | 3.998 | +0.000 -0.002 | 4.000 | +0.004 +0.000 | 20.46 |
| P375-03.250-625B | 3-1/4 | 4 | 5/8 | .688 | +0.015 +0.000 | 3.250 | +0.000 -0.002 | 3.252 | +0.004 +0.000 | 4.000 | +0.005 +0.000 | 3.250 | +0.000 -0.005 | 3.998 | +0.000 -0.002 | 4.000 | +0.004 +0.000 | 22.68 |
| P375-03.250-625D | 3-1/4 | 4 | 5/8 | .688 | +0.015 +0.000 | 3.250 | +0.000 -0.002 | 3.252 | +0.004 +0.000 | 4.000 | +0.005 +0.000 | 3.250 | +0.000 -0.005 | 3.998 | +0.000 -0.002 | 4.000 | +0.004 +0.000 | 22.68 |
| P375-03.375-625B | 3-3/8 | 4-1/8 | 5/8 | .688 | +0.015 +0.000 | 3.375 | +0.000 -0.002 | 3.377 | +0.004 +0.000 | 4.125 | +0.005 +0.000 | 3.375 | +0.000 -0.005 | 4.123 | +0.000 -0.002 | 4.125 | +0.004 +0.000 | 23.22 |
| P375-03.500 | 3-1/2 | 4-1/4 | 3/8 | .413 | +0.015 +0.000 | 3.500 | +0.000 -0.002 | 3.502 | +0.004 +0.000 | 4.250 | +0.005 +0.000 | 3.500 | +0.000 -0.005 | 4.248 | +0.000 -0.002 | 4.250 | +0.004 +0.000 | 22.09 |
| P375-03.500-625B | 3-1/2 | 4-1/4 | 5/8 | .688 | +0.015 +0.000 | 3.500 | +0.000 -0.002 | 3.502 | +0.004 +0.000 | 4.250 | +0.005 +0.000 | 3.500 | +0.000 -0.005 | 4.248 | +0.000 -0.002 | 4.250 | +0.004 +0.000 | 24.28 |
| P375-03.500-625D | 3-1/2 | 4-1/4 | 5/8 | .688 | +0.015 +0.000 | 3.500 | +0.000 -0.002 | 3.502 | +0.004 +0.000 | 4.250 | +0.005 +0.000 | 3.500 | +0.000 -0.005 | 4.248 | +0.000 -0.002 | 4.250 | +0.004 +0.000 | 24.28 |
| P375-03.625-625B | 3-5/8 | 4-3/8 | 5/8 | .688 | +0.015 +0.000 | 3.625 | +0.000 -0.002 | 3.627 | +0.004 +0.000 | 4.375 | +0.005 +0.000 | 3.625 | +0.000 -0.005 | 4.373 | +0.000 -0.002 | 4.375 | +0.004 +0.000 | 25.16 |
| P375-03.750 | 3-3/4 | 4-1/2 | 3/8 | .413 | +0.015 +0.000 | 3.750 | +0.000 -0.002 | 3.752 | +0.004 +0.000 | 4.500 | +0.005 +0.000 | 3.750 | +0.000 -0.005 | 4.498 | +0.000 -0.002 | 4.500 | +0.004 +0.000 | 23.22 |
| P375-03.750-625B | 3-3/4 | 4-1/2 | 5/8 | .688 | +0.015 +0.000 | 3.750 | +0.000 -0.002 | 3.752 | +0.004 +0.000 | 4.500 | +0.005 +0.000 | 3.750 | +0.000 -0.005 | 4.498 | +0.000 -0.002 | 4.500 | +0.004 +0.000 | 27.58 |
| P375-04.000 | 4 | 4-3/4 | 3/8 | .413 | +0.015 +0.000 | 4.000 | +0.000 -0.002 | 4.002 | +0.004 +0.000 | 4.750 | +0.005 +0.000 | 4.000 | +0.000 -0.005 | 4.748 | +0.000 -0.002 | 4.750 | +0.004 +0.000 | 24.34 |
| P375-04.000-625B | 4 | 4-3/4 | 5/8 | .688 | +0.015 +0.000 | 4.000 | +0.000 -0.002 | 4.002 | +0.004 +0.000 | 4.750 | +0.005 +0.000 | 4.000 | +0.000 -0.005 | 4.748 | +0.000 -0.002 | 4.750 | +0.004 +0.000 | 27.41 |
| P375-04.250 | 4-1/4 | 5 | 3/8 | .413 | +0.015 +0.000 | 4.250 | +0.000 -0.002 | 4.252 | +0.004 +0.000 | 5.000 | +0.005 +0.000 | 4.250 | +0.000 -0.005 | 4.998 | +0.000 -0.002 | 5.000 | +0.004 +0.000 | 26.20 |
| P375-04.250-375B | 4-1/4 | 5 | 3/8 | .413 | +0.015 +0.000 | 4.250 | +0.000 -0.002 | 4.252 | +0.004 +0.000 | 5.000 | +0.005 +0.000 | 4.250 | +0.000 -0.005 | 4.998 | +0.000 -0.002 | 5.000 | +0.004 +0.000 | 26.19 |
| P375-04.250-625B | 4-1/4 | 5 | 5/8 | .688 | +0.015 +0.000 | 4.250 | +0.000 -0.002 | 4.252 | +0.004 +0.000 | 5.000 | +0.005 +0.000 | 4.250 | +0.000 -0.005 | 4.998 | +0.000 -0.002 | 5.000 | +0.004 +0.000 | 28.69 |

U-SEALS

FORMERLY LISTED SEALS ARE AVAILABLE ONLINE AT WWW.HERCULESUS.COM OR BY CONTACTING YOUR REGIONAL HERCULES SALES TEAM.



STYLE 850 POLYURETHANE U-SEALS

U-SEALS

| Part Number | A Nom. ID | B Nom. OD | C Nom. Ht | D GROOVE WIDTH | E ROD DIAMETER | F THROAT DIAMETER | G HOUSING DIAMETER | H GROOVE DIAMETER | I PISTON DIAMETER | J BORE DIAMETER | List Price |
|------------------|-----------|-----------|-----------|----------------------|----------------------|-----------------------|-----------------------|----------------------|----------------------|-----------------------|------------|
| P375-04.250-625D | 4-1/4 | 5 | 5/8 | .688 +.015 +0.000 | 4.250 +.000 -.002 | 4.252 +.004 +0.000 | 5.000 +.005 +0.000 | 4.250 +.000 -.005 | 4.998 +.000 -.002 | 5.000 +.004 +0.000 | 28.69 |
| P375-04.500 | 4-1/2 | 5-1/4 | 3/8 | .413 +.015 +0.000 | 4.500 +.000 -.002 | 4.502 +.004 +0.000 | 5.250 +.005 +0.000 | 4.500 +.000 -.005 | 5.248 +.000 -.002 | 5.250 +.004 +0.000 | 28.83 |
| P375-04.500-625B | 4-1/2 | 5-1/4 | 5/8 | .688 +.015 +0.000 | 4.500 +.000 -.002 | 4.502 +.004 +0.000 | 5.250 +.005 +0.000 | 4.500 +.000 -.005 | 5.248 +.000 -.002 | 5.250 +.004 +0.000 | 30.12 |
| P375-04.750 | 4-3/4 | 5-1/2 | 3/8 | .413 +.015 +0.000 | 4.750 +.000 -.002 | 4.752 +.004 +0.000 | 5.500 +.005 +0.000 | 4.750 +.000 -.005 | 5.498 +.000 -.002 | 5.500 +.004 +0.000 | 30.26 |
| P375-04.750-625B | 4-3/4 | 5-1/2 | 5/8 | .688 +.015 +0.000 | 4.750 +.000 -.002 | 4.752 +.004 +0.000 | 5.500 +.005 +0.000 | 4.750 +.000 -.005 | 5.498 +.000 -.002 | 5.500 +.004 +0.000 | 31.50 |
| P375-04.750-625D | 4-3/4 | 5-1/2 | 5/8 | .688 +.015 +0.000 | 4.750 +.000 -.002 | 4.752 +.004 +0.000 | 5.500 +.005 +0.000 | 4.750 +.000 -.005 | 5.498 +.000 -.002 | 5.500 +.004 +0.000 | 31.50 |
| P375-05.000 | 5 | 5-3/4 | 3/8 | .413 +.015 +0.000 | 5.000 +.000 -.002 | 5.002 +.004 +0.000 | 5.750 +.005 +0.000 | 5.000 +.000 -.005 | 5.748 +.000 -.002 | 5.750 +.004 +0.000 | 30.62 |
| P375-05.000-625B | 5 | 5-3/4 | 5/8 | .688 +.015 +0.000 | 5.000 +.000 -.002 | 5.002 +.004 +0.000 | 5.750 +.005 +0.000 | 5.000 +.000 -.005 | 5.748 +.000 -.002 | 5.750 +.004 +0.000 | 33.00 |
| P375-05.250 | 5-1/4 | 6 | 3/8 | .413 +.015 +0.000 | 5.250 +.000 -.002 | 5.252 +.004 +0.000 | 6.000 +.005 +0.000 | 5.250 +.000 -.005 | 5.998 +.000 -.002 | 6.000 +.004 +0.000 | 32.18 |
| P375-05.250-500B | 5-1/4 | 6 | 1/2 | .550 +.015 +0.000 | 5.250 +.000 -.002 | 5.252 +.004 +0.000 | 6.000 +.005 +0.000 | 5.250 +.000 -.005 | 5.998 +.000 -.002 | 6.000 +.004 +0.000 | 34.37 |
| P375-05.250-500D | 5-1/4 | 6 | 1/2 | .550 +.015 +0.000 | 5.250 +.000 -.002 | 5.252 +.004 +0.000 | 6.000 +.005 +0.000 | 5.250 +.000 -.005 | 5.998 +.000 -.002 | 6.000 +.004 +0.000 | 34.37 |
| P375-05.250-625B | 5-1/4 | 6 | 5/8 | .688 +.015 +0.000 | 5.250 +.000 -.002 | 5.252 +.004 +0.000 | 6.000 +.005 +0.000 | 5.250 +.000 -.005 | 5.998 +.000 -.002 | 6.000 +.004 +0.000 | 34.37 |
| P375-05.250-625D | 5-1/4 | 6 | 5/8 | .688 +.015 +0.000 | 5.250 +.000 -.002 | 5.252 +.004 +0.000 | 6.000 +.005 +0.000 | 5.250 +.000 -.005 | 5.998 +.000 -.002 | 6.000 +.004 +0.000 | 34.37 |
| P375-05.500 | 5-1/2 | 6-1/4 | 3/8 | .413 +.015 +0.000 | 5.500 +.000 -.002 | 5.502 +.004 +0.000 | 6.250 +.005 +0.000 | 5.500 +.000 -.005 | 6.248 +.000 -.002 | 6.250 +.004 +0.000 | 33.37 |
| P375-05.500-625B | 5-1/2 | 6-1/4 | 5/8 | .688 +.015 +0.000 | 5.500 +.000 -.002 | 5.502 +.004 +0.000 | 6.250 +.005 +0.000 | 5.500 +.000 -.005 | 6.248 +.000 -.002 | 6.250 +.004 +0.000 | 35.73 |
| P375-05.750 | 5-3/4 | 6-1/2 | 3/8 | .413 +.015 +0.000 | 5.750 +.000 -.002 | 5.752 +.004 +0.000 | 6.500 +.005 +0.000 | 5.750 +.000 -.005 | 6.498 +.000 -.002 | 6.500 +.004 +0.000 | 34.70 |
| P375-05.750-625B | 5-3/4 | 6-1/2 | 5/8 | .688 +.015 +0.000 | 5.750 +.000 -.002 | 5.752 +.004 +0.000 | 6.500 +.005 +0.000 | 5.750 +.000 -.005 | 6.498 +.000 -.002 | 6.500 +.004 +0.000 | 38.68 |
| P375-05.750-625D | 5-3/4 | 6-1/2 | 5/8 | .688 +.015 +0.000 | 5.750 +.000 -.002 | 5.752 +.004 +0.000 | 6.500 +.005 +0.000 | 5.750 +.000 -.005 | 6.498 +.000 -.002 | 6.500 +.004 +0.000 | 38.68 |
| P375-06.000 | 6 | 6-3/4 | 3/8 | .413 +.015 +0.000 | 6.000 +.000 -.002 | 6.002 +.004 +0.000 | 6.750 +.005 +0.000 | 6.000 +.000 -.005 | 6.748 +.000 -.002 | 6.750 +.004 +0.000 | 37.68 |
| P375-06.000-625B | 6 | 6-3/4 | 5/8 | .688 +.015 +0.000 | 6.000 +.000 -.002 | 6.002 +.004 +0.000 | 6.750 +.005 +0.000 | 6.000 +.000 -.005 | 6.748 +.000 -.002 | 6.750 +.004 +0.000 | 38.22 |
| P375-06.250 | 6-1/4 | 7 | 3/8 | .413 +.015 +0.000 | 6.250 +.000 -.002 | 6.252 +.004 +0.000 | 7.000 +.005 +0.000 | 6.250 +.000 -.005 | 6.998 +.000 -.002 | 7.000 +.004 +0.000 | 36.16 |
| P375-06.250-500D | 6-1/4 | 7 | 1/2 | .550 +.015 +0.000 | 6.250 +.000 -.002 | 6.252 +.004 +0.000 | 7.000 +.005 +0.000 | 6.250 +.000 -.005 | 6.998 +.000 -.002 | 7.000 +.004 +0.000 | 39.18 |
| P375-06.250-625B | 6-1/4 | 7 | 5/8 | .688 +.015 +0.000 | 6.250 +.000 -.002 | 6.252 +.004 +0.000 | 7.000 +.005 +0.000 | 6.250 +.000 -.005 | 6.998 +.000 -.002 | 7.000 +.004 +0.000 | 39.18 |
| P375-06.250-625D | 6-1/4 | 7 | 5/8 | .688 +.015 +0.000 | 6.250 +.000 -.002 | 6.252 +.004 +0.000 | 7.000 +.005 +0.000 | 6.250 +.000 -.005 | 6.998 +.000 -.002 | 7.000 +.004 +0.000 | 38.43 |
| P375-06.500 | 6-1/2 | 7-1/4 | 3/8 | .413 +.015 +0.000 | 6.500 +.000 -.002 | 6.502 +.004 +0.000 | 7.250 +.005 +0.000 | 6.500 +.000 -.005 | 7.248 +.000 -.002 | 7.250 +.004 +0.000 | 37.44 |
| P375-06.500-625B | 6-1/2 | 7-1/4 | 5/8 | .688 +.015 +0.000 | 6.500 +.000 -.002 | 6.502 +.004 +0.000 | 7.250 +.005 +0.000 | 6.500 +.000 -.005 | 7.248 +.000 -.002 | 7.250 +.004 +0.000 | 40.52 |
| P375-06.750-625B | 6-3/4 | 7-1/2 | 5/8 | .688 +.015 +0.000 | 6.750 +.000 -.002 | 6.752 +.004 +0.000 | 7.500 +.005 +0.000 | 6.750 +.000 -.005 | 7.498 +.000 -.002 | 7.500 +.004 +0.000 | 72.46 |
| P375-07.000-625B | 7 | 7-3/4 | 5/8 | .688 +.015 +0.000 | 7.000 +.000 -.002 | 7.002 +.004 +0.000 | 7.750 +.005 +0.000 | 7.000 +.000 -.005 | 7.748 +.000 -.002 | 7.750 +.004 +0.000 | 43.36 |
| P375-07.250-625B | 7-1/4 | 8 | 5/8 | .688 +.015 +0.000 | 7.250 +.000 -.002 | 7.252 +.004 +0.000 | 8.000 +.005 +0.000 | 7.250 +.000 -.005 | 7.998 +.000 -.002 | 8.000 +.004 +0.000 | 46.39 |
| P375-07.250-625D | 7-1/4 | 8 | 5/8 | .688 +.015 +0.000 | 7.250 +.000 -.002 | 7.252 +.004 +0.000 | 8.000 +.005 +0.000 | 7.250 +.000 -.005 | 7.998 +.000 -.002 | 8.000 +.004 +0.000 | 47.30 |
| P375-07.500 | 7-1/2 | 8-1/4 | 3/8 | .413 +.015 +0.000 | 7.500 +.000 -.002 | 7.502 +.004 +0.000 | 8.250 +.005 +0.000 | 7.500 +.000 -.005 | 8.248 +.000 -.002 | 8.250 +.004 +0.000 | 49.51 |
| P375-07.500-625B | 7-1/2 | 8-1/4 | 5/8 | .688 +.015 +0.000 | 7.500 +.000 -.002 | 7.502 +.004 +0.000 | 8.250 +.005 +0.000 | 7.500 +.000 -.005 | 8.248 +.000 -.002 | 8.250 +.004 +0.000 | 50.67 |
| P375-08.000 | 8 | 8-3/4 | 3/8 | .413 +.015 +0.000 | 8.000 +.000 -.002 | 8.002 +.004 +0.000 | 8.750 +.005 +0.000 | 8.000 +.000 -.005 | 8.748 +.000 -.002 | 8.750 +.004 +0.000 | 53.21 |

NORTH AMERICA
PHONE 1-800-777-5617
FAX 1-800-759-6391

SALES OFFICE HOURS
8 A.M. TO 7:30 P.M. EASTERN TIME
www.HerculesUS.com

WORLDWIDE
PHONE 1-727-796-1300
FAX 1-727-797-8849



STYLE 850 POLYURETHANE U-SEALS

| Part Number | A Nom. ID | B Nom. OD | C Nom. Ht | D GROOVE WIDTH | E ROD DIAMETER | F THROAT DIAMETER | G HOUSING DIAMETER | H GROOVE DIAMETER | I PISTON DIAMETER | J BORE DIAMETER | List Price |
|------------------|-----------|-----------|-----------|---------------------|-----------------------|-----------------------|-----------------------|-----------------------|-----------------------|-----------------------|------------|
| P375-08.250-625B | 8-1/4 | 9 | 5/8 | .688 +.015 +.000 | 8.250 +.000 -.002 | 8.252 +.004 +.000 | 9.000 +.005 +.000 | 8.250 +.000 -.005 | 8.998 +.000 -.002 | 9.000 +.004 +.000 | 52.64 |
| P375-08.750 | 8-3/4 | 9-1/2 | 3/8 | .413 +.015 +.000 | 8.750 +.000 -.002 | 8.752 +.004 +.000 | 9.500 +.005 +.000 | 8.750 +.000 -.005 | 9.498 +.000 -.002 | 9.500 +.004 +.000 | 110.15 |
| P375-09.000-625B | 9 | 9-3/4 | 5/8 | .688 +.015 +.000 | 9.000 +.000 -.002 | 9.002 +.004 +.000 | 9.750 +.005 +.000 | 9.000 +.000 -.005 | 9.748 +.000 -.002 | 9.750 +.004 +.000 | 104.03 |
| P375-10.000 | 10 | 10-3/4 | 3/8 | .413 +.015 +.000 | 10.000 +.000 -.002 | 10.002 +.004 +.000 | 10.750 +.005 +.000 | 10.000 +.000 -.005 | 10.748 +.000 -.002 | 10.750 +.004 +.000 | 124.03 |
| 1/2" C/S | | | | | | | | | | | |
| P500-01.500 | 1-1/2 | 2-1/2 | 1/2 | .550 +.015 +.000 | 1.500 +.000 -.003 | 1.502 +.005 +.000 | 2.500 +.007 +.000 | 1.500 +.000 -.007 | 2.498 +.000 -.003 | 2.500 +.005 +.000 | \$ 15.66 |
| P500-01.750-750B | 1-3/4 | 2-3/4 | 3/4 | .825 +.015 +.000 | 1.750 +.000 -.003 | 1.752 +.005 +.000 | 2.750 +.007 +.000 | 1.750 +.000 -.007 | 2.748 +.000 -.003 | 2.750 +.005 +.000 | 21.12 |
| P500-02.000-750B | 2 | 3 | 3/4 | .825 +.015 +.000 | 2.000 +.000 -.003 | 2.002 +.005 +.000 | 3.000 +.007 +.000 | 2.000 +.000 -.007 | 2.998 +.000 -.003 | 3.000 +.005 +.000 | 20.85 |
| P500-02.500 | 2-1/2 | 3-1/2 | 1/2 | .550 +.015 +.000 | 2.500 +.000 -.003 | 2.502 +.005 +.000 | 3.500 +.007 +.000 | 2.500 +.000 -.007 | 3.498 +.000 -.003 | 3.500 +.005 +.000 | 22.66 |
| P500-02.500-750B | 2-1/2 | 3-1/2 | 3/4 | .825 +.015 +.000 | 2.500 +.000 -.003 | 2.502 +.005 +.000 | 3.500 +.007 +.000 | 2.500 +.000 -.007 | 3.498 +.000 -.003 | 3.500 +.005 +.000 | 26.15 |
| P500-03.000 | 3 | 4 | 1/2 | .550 +.015 +.000 | 3.000 +.000 -.003 | 3.002 +.005 +.000 | 4.000 +.007 +.000 | 3.000 +.000 -.007 | 3.998 +.000 -.003 | 4.000 +.005 +.000 | 26.44 |
| P500-03.000-750B | 3 | 4 | 3/4 | .825 +.015 +.000 | 3.000 +.000 -.003 | 3.002 +.005 +.000 | 4.000 +.007 +.000 | 3.000 +.000 -.007 | 3.998 +.000 -.003 | 4.000 +.005 +.000 | 31.70 |
| P500-03.250-750B | 3-1/4 | 4-1/4 | 3/4 | .825 +.015 +.000 | 3.250 +.000 -.003 | 3.252 +.005 +.000 | 4.250 +.007 +.000 | 3.250 +.000 -.007 | 4.248 +.000 -.003 | 4.250 +.005 +.000 | 38.03 |
| P500-03.500-625 | 3-1/2 | 4-1/2 | 5/8 | .688 +.015 +.000 | 3.500 +.000 -.003 | 3.502 +.005 +.000 | 4.500 +.007 +.000 | 3.500 +.000 -.007 | 4.498 +.000 -.003 | 4.500 +.005 +.000 | 24.85 |
| P500-04.000 | 4 | 5 | 1/2 | .550 +.015 +.000 | 4.000 +.000 -.003 | 4.002 +.005 +.000 | 5.000 +.007 +.000 | 4.000 +.000 -.007 | 4.998 +.000 -.003 | 5.000 +.005 +.000 | 33.88 |
| P500-04.000-750B | 4 | 5 | 3/4 | .825 +.015 +.000 | 4.000 +.000 -.003 | 4.002 +.005 +.000 | 5.000 +.007 +.000 | 4.000 +.000 -.007 | 4.998 +.000 -.003 | 5.000 +.005 +.000 | 34.88 |
| P500-04.250 | 4-1/4 | 5-1/4 | 1/2 | .550 +.015 +.000 | 4.250 +.000 -.003 | 4.252 +.005 +.000 | 5.250 +.007 +.000 | 4.250 +.000 -.007 | 5.248 +.000 -.003 | 5.250 +.005 +.000 | 37.34 |
| P500-04.500-750B | 4-1/2 | 5-1/2 | 3/4 | .825 +.015 +.000 | 4.500 +.000 -.003 | 4.502 +.005 +.000 | 5.500 +.007 +.000 | 4.500 +.000 -.007 | 5.498 +.000 -.003 | 5.500 +.005 +.000 | 42.64 |
| P500-05.000 | 5 | 6 | 1/2 | .550 +.015 +.000 | 5.000 +.000 -.003 | 5.002 +.005 +.000 | 6.000 +.007 +.000 | 5.000 +.000 -.007 | 5.998 +.000 -.003 | 6.000 +.005 +.000 | 41.36 |
| P500-05.000-750B | 5 | 6 | 3/4 | .825 +.015 +.000 | 5.000 +.000 -.003 | 5.002 +.005 +.000 | 6.000 +.007 +.000 | 5.000 +.000 -.007 | 5.998 +.000 -.003 | 6.000 +.005 +.000 | 45.46 |
| P500-05.500-750B | 5-1/2 | 6-1/2 | 3/4 | .825 +.015 +.000 | 5.500 +.000 -.003 | 5.502 +.005 +.000 | 6.500 +.007 +.000 | 5.500 +.000 -.007 | 6.498 +.000 -.003 | 6.500 +.005 +.000 | 74.57 |
| P500-06.000 | 6 | 7 | 1/2 | .550 +.015 +.000 | 6.000 +.000 -.003 | 6.002 +.005 +.000 | 7.000 +.007 +.000 | 6.000 +.000 -.007 | 6.998 +.000 -.003 | 7.000 +.005 +.000 | 49.75 |
| P500-06.000-750B | 6 | 7 | 3/4 | .825 +.015 +.000 | 6.000 +.000 -.003 | 6.002 +.005 +.000 | 7.000 +.007 +.000 | 6.000 +.000 -.007 | 6.998 +.000 -.003 | 7.000 +.005 +.000 | 52.51 |
| P500-07.000 | 7 | 8 | 1/2 | .550 +.015 +.000 | 7.000 +.000 -.003 | 7.002 +.005 +.000 | 8.000 +.007 +.000 | 7.000 +.000 -.007 | 7.998 +.000 -.003 | 8.000 +.005 +.000 | 52.83 |
| P500-07.000-750B | 7 | 8 | 3/4 | .825 +.015 +.000 | 7.000 +.000 -.003 | 7.002 +.005 +.000 | 8.000 +.007 +.000 | 7.000 +.000 -.007 | 7.998 +.000 -.003 | 8.000 +.005 +.000 | 54.91 |
| P500-07.000-750D | 7 | 8 | 3/4 | .825 +.015 +.000 | 7.000 +.000 -.003 | 7.002 +.005 +.000 | 8.000 +.007 +.000 | 7.000 +.000 -.007 | 7.998 +.000 -.003 | 8.000 +.005 +.000 | 54.91 |
| P500-08.000 | 8 | 9 | 1/2 | .550 +.015 +.000 | 8.000 +.000 -.003 | 8.002 +.005 +.000 | 9.000 +.007 +.000 | 8.000 +.000 -.007 | 8.998 +.000 -.003 | 9.000 +.005 +.000 | 60.76 |
| P500-08.000-750B | 8 | 9 | 3/4 | .825 +.015 +.000 | 8.000 +.000 -.003 | 8.002 +.005 +.000 | 9.000 +.007 +.000 | 8.000 +.000 -.007 | 8.998 +.000 -.003 | 9.000 +.005 +.000 | 62.45 |
| P500-09.000 | 9 | 10 | 1/2 | .550 +.015 +.000 | 9.000 +.000 -.003 | 9.002 +.005 +.000 | 10.000 +.007 +.000 | 9.000 +.000 -.007 | 9.998 +.000 -.003 | 10.000 +.005 +.000 | 63.32 |
| 5/8" C/S | | | | | | | | | | | |
| P625-02.750 | 2-3/4 | 4 | 5/8 | .688 +.015 +.000 | 2.750 +.000 -.003 | 2.753 +.006 +.000 | 4.000 +.009 +.000 | 2.750 +.000 -.009 | 3.997 +.000 -.003 | 4.000 +.006 +.000 | \$29.55 |
| P625-03.250 | 3-1/4 | 4-1/2 | 5/8 | .688 +.015 +.000 | 3.250 +.000 -.003 | 3.253 +.006 +.000 | 4.500 +.009 +.000 | 3.250 +.000 -.009 | 4.497 +.000 -.003 | 4.500 +.006 +.000 | 34.29 |
| P625-04.750 | 4-3/4 | 6 | 5/8 | .688 +.015 +.000 | 4.750 +.000 -.003 | 4.753 +.006 +.000 | 6.000 +.009 +.000 | 4.750 +.000 -.009 | 5.997 +.000 -.003 | 6.000 +.006 +.000 | 48.26 |

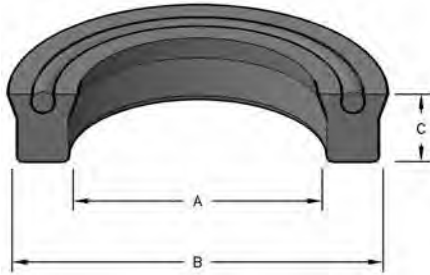
U-SEALS

FORMERLY LISTED SEALS ARE AVAILABLE ONLINE AT WWW.HERCULESUS.COM
OR BY CONTACTING YOUR REGIONAL HERCULES SALES TEAM.



STYLE 850 FLUOROCARBON U-SEALS

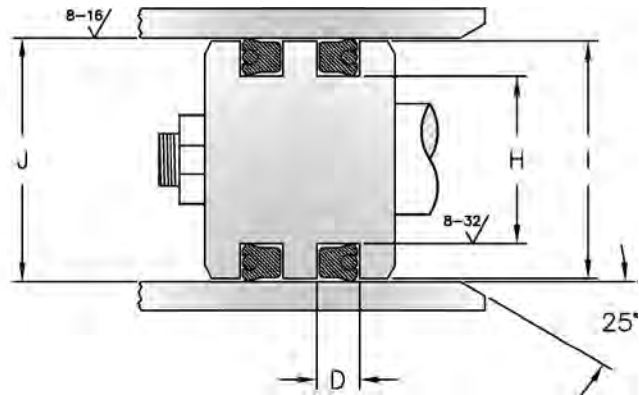
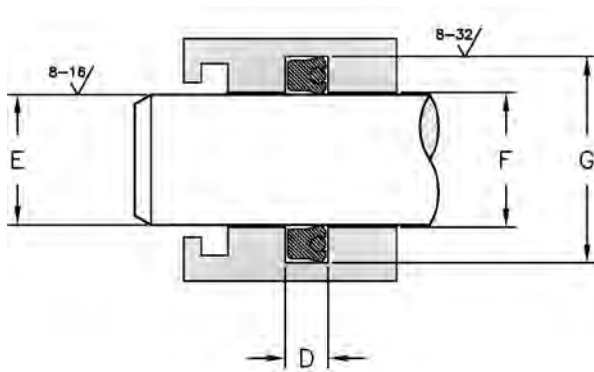
Utilizing the same profiles as the Style 850 Polyurethane U-Seals, these u-seals are molded from a fluorocarbon compound. While being compatible with a broader range of fluids, these fluorocarbon seals will also operate continuously at temperatures from -20° to +400° F. **NOTE:** If you are not sure of fluid/seal compatibility, please refer to the fluid compatibility chart in the appendix or contact our Engineering Department.



HERCULES PART NUMBERS

P 125 - 00.625 - 187BV
 Type of Seal | Cross Section | Inside Diameter | Height

| SEAL INFORMATION | |
|-------------------|------------------|
| MATERIAL | 90A FLUOROCARBON |
| TEMPERATURE RANGE | -20° TO +400° F |
| PRESSURE RANGE | 0 TO 2,000 PSI |
| SPEED | 3 FT/SEC |



Standard -
 Height and cross section are equal, thus giving a square seal. Utilizes type "D" lip
 Typical Part Number P25-02.500



Deep -
 Utilizes the same "D" lip, but the seal height is greater than the cross section, thus giving a rectangular shape.
 Typical Part Number P25-02.500-37D



Type B -
 Same dimensions as the Deep seal. Beveled lip design provides better film breaking. Utilizes type "B" lip.
 Typical Part Number U25-02.500-37B

| Part Number | A Nom. ID | B Nom. OD | C Nom. Ht | D GROOVE WIDTH | E ROD DIAMETER | F THROAT DIAMETER | G HOUSING DIAMETER | H GROOVE DIAMETER | I PISTON DIAMETER | J BORE DIAMETER | List Price |
|-------------------|-----------|-----------|-----------|---------------------|----------------------|----------------------|----------------------|----------------------|----------------------|----------------------|------------|
| 1/8" C/S | | | | | | | | | | | |
| P125-00.500V | 1/2 | 3/4 | 1/8 | .138 +.015 +.000 | .500 +.000 -.001 | .501 +.002 +.000 | .750 +.002 +.000 | .500 +.000 -.002 | .749 +.000 -.001 | .750 +.002 +.000 | \$60.42 |
| P125-00.625-SQBV | 5/8 | 7/8 | 1/8 | .138 +.015 +.000 | .625 +.000 -.001 | .626 +.002 +.000 | .875 +.002 +.000 | .625 +.000 -.002 | .874 +.000 -.001 | .875 +.002 +.000 | 25.90 |
| P125-00.625-187BV | 5/8 | 7/8 | 3/16 | .207 +.015 +.000 | .625 +.000 -.001 | .626 +.002 +.000 | .875 +.002 +.000 | .625 +.000 -.002 | .874 +.000 -.001 | .875 +.002 +.000 | 26.75 |
| 5/32" C/S | | | | | | | | | | | |
| P156-01.000-SQBV | 1 | 1-5/16 | 5/32 | .172 +.015 +.000 | 1.000 +.000 -.002 | 1.001 +.002 +.000 | 1.313 +.002 +.000 | 1.000 +.000 -.002 | 1.311 +.000 -.001 | 1.313 +.002 +.000 | \$33.32 |
| P156-01.375-SQBV | 1-3/8 | 1-11/16 | 5/32 | .172 +.015 +.000 | 1.375 +.000 -.002 | 1.376 +.002 +.000 | 1.688 +.002 +.000 | 1.375 +.000 -.002 | 1.686 +.000 -.001 | 1.688 +.002 +.000 | 38.70 |
| 3/16" C/S | | | | | | | | | | | |
| P187-01.750-SQBV | 1-3/4 | 2-1/8 | 3/16 | .207 +.015 +.000 | 1.750 +.000 -.002 | 1.751 +.002 +.000 | 2.125 +.002 +.000 | 1.750 +.000 -.002 | 2.124 +.000 -.002 | 2.125 +.002 +.000 | \$42.00 |
| P187-02.000-SQBV | 2 | 2-3/8 | 3/16 | .207 +.015 +.000 | 2.000 +.000 -.002 | 2.001 +.002 +.000 | 2.375 +.002 +.000 | 2.000 +.000 -.002 | 2.374 +.000 -.002 | 2.375 +.002 +.000 | 44.29 |

NORTH AMERICA
 PHONE 1-800-777-5617
 FAX 1-800-759-6391

SALES OFFICE HOURS
 8 A.M. TO 7:30 P.M. EASTERN TIME
 www.HerculesUS.com

WORLDWIDE
 PHONE 1-727-796-1300
 FAX 1-727-797-8849



STYLE 850 FLUOROCARBON U-SEALS

| Part Number | A Nom. ID | B Nom. OD | C Nom. Ht | D GROOVE WIDTH | E ROD DIAMETER | F THROAT DIAMETER | G HOUSING DIAMETER | H GROOVE DIAMETER | I PISTON DIAMETER | J BORE DIAMETER | List Price |
|-------------------|-----------|-----------|-----------|--|---|---|---|---|---|---|------------|
| 7/32" C/S | | | | | | | | | | | |
| P218-02.500-SQBV | 2-1/2 | 2-15/16 | 7/32 | .241 ^{+0.015} / _{+0.000} | 2.500 ^{+0.000} / _{-0.002} | 2.501 ^{+0.003} / _{+0.000} | 2.938 ^{+0.002} / _{+0.000} | 2.500 ^{+0.000} / _{-0.002} | 2.936 ^{+0.000} / _{-0.003} | 2.938 ^{+0.002} / _{+0.000} | \$67.98 |
| P218-03.000-SQBV | 3 | 3-7/16 | 7/32 | .241 ^{+0.015} / _{+0.000} | 3.000 ^{+0.000} / _{-0.002} | 3.001 ^{+0.003} / _{+0.000} | 3.438 ^{+0.002} / _{+0.000} | 3.000 ^{+0.000} / _{-0.002} | 3.436 ^{+0.000} / _{-0.003} | 3.438 ^{+0.002} / _{+0.000} | 77.77 |
| 1/4" C/S | | | | | | | | | | | |
| P250-00.750V | 3/4 | 1-1/4 | 1/4 | .275 ^{+0.015} / _{+0.000} | .750 ^{+0.000} / _{-0.002} | .751 ^{+0.002} / _{+0.000} | 1.250 ^{+0.003} / _{+0.000} | .750 ^{+0.000} / _{-0.003} | 1.249 ^{+0.000} / _{-0.001} | 1.250 ^{+0.003} / _{+0.000} | \$38.36 |
| P250-03.500-SQBV | 3-1/2 | 4 | 1/4 | .275 ^{+0.015} / _{+0.000} | 3.500 ^{+0.000} / _{-0.002} | 3.501 ^{+0.003} / _{+0.000} | 4.000 ^{+0.003} / _{+0.000} | 3.500 ^{+0.000} / _{-0.003} | 3.999 ^{+0.000} / _{-0.002} | 4.000 ^{+0.003} / _{+0.000} | 89.78 |
| P250-03.500-312BV | 3-1/2 | 4 | 5/16 | .344 ^{+0.015} / _{+0.000} | 3.500 ^{+0.000} / _{-0.002} | 3.501 ^{+0.003} / _{+0.000} | 4.000 ^{+0.003} / _{+0.000} | 3.500 ^{+0.000} / _{-0.003} | 3.999 ^{+0.000} / _{-0.002} | 4.000 ^{+0.003} / _{+0.000} | 98.27 |
| P250-04.000-SQBV | 4 | 4-1/2 | 1/4 | .275 ^{+0.015} / _{+0.000} | 4.000 ^{+0.000} / _{-0.002} | 4.001 ^{+0.003} / _{+0.000} | 4.500 ^{+0.003} / _{+0.000} | 4.000 ^{+0.000} / _{-0.003} | 4.499 ^{+0.000} / _{-0.002} | 4.500 ^{+0.003} / _{+0.000} | 100.98 |
| P250-04.000-312BV | 4 | 4-1/2 | 5/16 | .344 ^{+0.015} / _{+0.000} | 4.000 ^{+0.000} / _{-0.002} | 4.001 ^{+0.003} / _{+0.000} | 4.500 ^{+0.003} / _{+0.000} | 4.000 ^{+0.000} / _{-0.003} | 4.499 ^{+0.000} / _{-0.002} | 4.500 ^{+0.003} / _{+0.000} | 110.58 |
| P250-04.500-SQBV | 4-1/2 | 5 | 1/4 | .275 ^{+0.015} / _{+0.000} | 4.500 ^{+0.000} / _{-0.002} | 4.501 ^{+0.003} / _{+0.000} | 5.000 ^{+0.003} / _{+0.000} | 4.500 ^{+0.000} / _{-0.003} | 4.999 ^{+0.000} / _{-0.002} | 5.000 ^{+0.003} / _{+0.000} | 119.31 |
| P250-04.500-312BV | 4-1/2 | 5 | 5/16 | .344 ^{+0.015} / _{+0.000} | 4.500 ^{+0.000} / _{-0.002} | 4.501 ^{+0.003} / _{+0.000} | 5.000 ^{+0.003} / _{+0.000} | 4.500 ^{+0.000} / _{-0.003} | 4.999 ^{+0.000} / _{-0.002} | 5.000 ^{+0.003} / _{+0.000} | 135.18 |
| 9/32" C/S | | | | | | | | | | | |
| P281-05.000-SQBV | 5 | 5-9/16 | 9/32 | .310 ^{+0.015} / _{+0.000} | 5.000 ^{+0.000} / _{-0.002} | 5.001 ^{+0.003} / _{+0.000} | 5.563 ^{+0.003} / _{+0.000} | 5.000 ^{+0.000} / _{-0.003} | 5.561 ^{+0.000} / _{-0.002} | 5.563 ^{+0.003} / _{+0.000} | \$118.28 |
| P281-05.000-343BV | 5 | 5-9/16 | 11/32 | .379 ^{+0.015} / _{+0.000} | 5.000 ^{+0.000} / _{-0.002} | 5.001 ^{+0.003} / _{+0.000} | 5.563 ^{+0.003} / _{+0.000} | 5.000 ^{+0.000} / _{-0.003} | 5.561 ^{+0.000} / _{-0.002} | 5.563 ^{+0.003} / _{+0.000} | 129.54 |
| 5/16" C/S | | | | | | | | | | | |
| P312-05.500-SQBV | 5-1/2 | 6-1/8 | 5/16 | .344 ^{+0.015} / _{+0.000} | 5.500 ^{+0.000} / _{-0.002} | 5.502 ^{+0.003} / _{+0.000} | 6.125 ^{+0.004} / _{+0.000} | 5.500 ^{+0.000} / _{-0.004} | 6.123 ^{+0.000} / _{-0.002} | 6.125 ^{+0.003} / _{+0.000} | \$161.86 |
| P312-05.500-375BV | 5-1/2 | 6-1/8 | 3/8 | .413 ^{+0.015} / _{+0.000} | 5.500 ^{+0.000} / _{-0.002} | 5.502 ^{+0.003} / _{+0.000} | 6.125 ^{+0.004} / _{+0.000} | 5.500 ^{+0.000} / _{-0.004} | 6.123 ^{+0.000} / _{-0.002} | 6.125 ^{+0.003} / _{+0.000} | 175.97 |

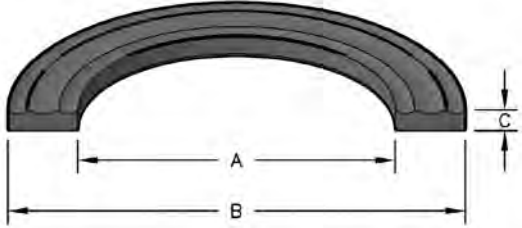
U-SEALS

Seal color may vary. Special order sizes are available. Sizes not shown and out of stock items can also be ordered for next day delivery through Seals On Demand, our custom seal program. Please call your regional sales team for assistance.

**FORMERLY LISTED SEALS ARE AVAILABLE ONLINE AT WWW.HERCULESUS.COM
OR BY CONTACTING YOUR REGIONAL HERCULES SALES TEAM.**

STYLE 855 PRC RINGS

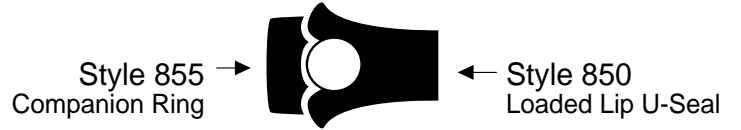
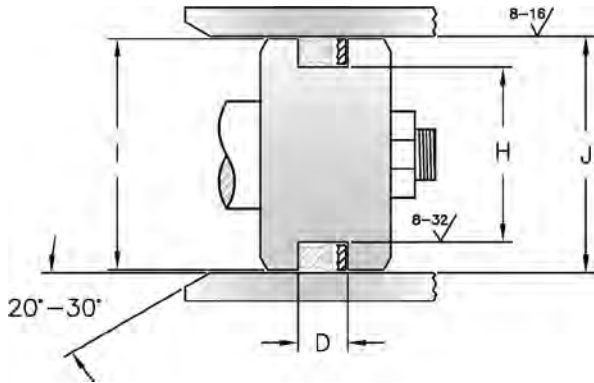
Used as a companion to our "B" lip configured Style 850 u-seal, Style 855 PRC rings convert a uni-directional u-seal into a bi-directional seal. **NOTE:** Height dimension is the increase in groove width required.



HERCULES PART NUMBERS

PRC 125 - 01.000
 Type of Seal | Cross Section | Inside Diameter

| SEAL INFORMATION | |
|-------------------|-----------------|
| MATERIAL | 95A URETHANE |
| TEMPERATURE RANGE | -40° TO +200° F |
| PRESSURE RANGE | 0 TO 5,000 PSI |
| SPEED | 3 FT/SEC |



U-SEALS

| Part Number | A Nom. ID | B Nom. OD | C Nom. Ht | H GROOVE DIAMETER | I PISTON DIAMETER | J BORE DIAMETER | List Price |
|------------------|--------------|--------------|--------------|--|--|---|------------|
| 1/8" C/S | | | | | | | |
| PRC125-01.000 | 1 | 1-1/4 | .065 | 1.000 ^{+0.000} / _{-.002} | 1.249 ^{+0.000} / _{-.001} | 1.250 ^{+0.002} / _{+0.000} | \$5.35 |
| PRC125-01.250 | 1-1/4 | 1-1/2 | .065 | 1.250 ^{+0.000} / _{-.002} | 1.499 ^{+0.000} / _{-.001} | 1.500 ^{+0.002} / _{+0.000} | 5.80 |
| 3/16" C/S | | | | | | | |
| PRC187-01.125 | 1-1/8 | 1-1/2 | .11 | 1.125 ^{+0.000} / _{-.002} | 1.499 ^{+0.000} / _{-.002} | 1.500 ^{+0.002} / _{+0.000} | \$5.72 |
| PRC187-01.375 | 1-3/8 | 1-3/4 | .11 | 1.375 ^{+0.000} / _{-.002} | 1.749 ^{+0.000} / _{-.002} | 1.750 ^{+0.002} / _{+0.000} | 6.31 |
| PRC187-01.500 | 1-1/2 | 1-7/8 | .11 | 1.500 ^{+0.000} / _{-.002} | 1.874 ^{+0.000} / _{-.002} | 1.875 ^{+0.002} / _{+0.000} | 6.90 |
| PRC187-01.625 | 1-5/8 | 2 | .11 | 1.625 ^{+0.000} / _{-.002} | 1.999 ^{+0.000} / _{-.002} | 2.000 ^{+0.002} / _{+0.000} | 6.71 |
| PRC187-01.750 | 1-3/4 | 2-1/8 | .11 | 1.750 ^{+0.000} / _{-.002} | 2.124 ^{+0.000} / _{-.002} | 2.125 ^{+0.002} / _{+0.000} | 7.28 |
| PRC187-02.375 | 2-3/8 | 2-3/4 | .11 | 2.375 ^{+0.000} / _{-.002} | 2.749 ^{+0.000} / _{-.002} | 2.750 ^{+0.002} / _{+0.000} | 9.78 |
| PRC187-02.625 | 2-5/8 | 3 | .11 | 2.625 ^{+0.000} / _{-.002} | 2.999 ^{+0.000} / _{-.002} | 3.000 ^{+0.002} / _{+0.000} | 8.21 |
| PRC187-03.000 | 3 | 3-3/8 | .11 | 3.000 ^{+0.000} / _{-.002} | 3.374 ^{+0.000} / _{-.002} | 3.375 ^{+0.002} / _{+0.000} | 9.62 |
| PRC187-03.125 | 3-1/8 | 3-1/2 | .11 | 3.125 ^{+0.000} / _{-.002} | 3.499 ^{+0.000} / _{-.002} | 3.500 ^{+0.002} / _{+0.000} | 9.63 |
| PRC187-03.625 | 3-5/8 | 4 | .11 | 3.625 ^{+0.000} / _{-.002} | 3.999 ^{+0.000} / _{-.002} | 4.000 ^{+0.002} / _{+0.000} | 11.86 |
| 1/4" C/S | | | | | | | |



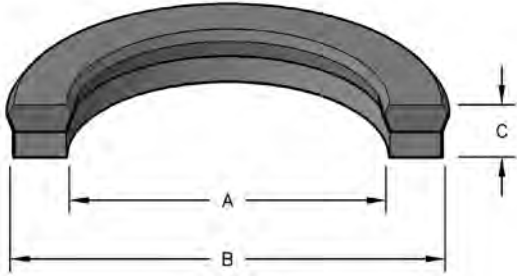
STYLE 855 PRC RINGS

U-SEALS

| Part Number | A Nom. ID | B Nom. OD | C Nom. Ht | H GROOVE DIAMETER | I PISTON DIAMETER | J BORE DIAMETER | List Price |
|------------------|--------------|--------------|--------------|---|---|--|------------|
| PRC250-01.000 | 1 | 1-1/2 | .137 | 1.000 ^{+0.00} / _{-.003} | 1.499 ^{+0.00} / _{-.002} | 1.500 ^{+0.03} / _{+0.00} | \$6.18 |
| PRC250-01.500 | 1-1/2 | 2 | .137 | 1.500 ^{+0.00} / _{-.003} | 1.999 ^{+0.00} / _{-.002} | 2.000 ^{+0.03} / _{+0.00} | 7.45 |
| PRC250-01.750 | 1-3/4 | 2-1/4 | .137 | 1.750 ^{+0.00} / _{-.003} | 2.249 ^{+0.00} / _{-.002} | 2.250 ^{+0.03} / _{+0.00} | 8.73 |
| PRC250-02.000 | 2 | 2-1/2 | .137 | 2.000 ^{+0.00} / _{-.003} | 2.499 ^{+0.00} / _{-.002} | 2.500 ^{+0.03} / _{+0.00} | 9.12 |
| PRC250-02.250 | 2-1/4 | 2-3/4 | .137 | 2.250 ^{+0.00} / _{-.003} | 2.749 ^{+0.00} / _{-.002} | 2.750 ^{+0.03} / _{+0.00} | 10.62 |
| PRC250-02.500 | 2-1/2 | 3 | .137 | 2.500 ^{+0.00} / _{-.003} | 2.999 ^{+0.00} / _{-.002} | 3.000 ^{+0.03} / _{+0.00} | 10.97 |
| PRC250-02.750 | 2-3/4 | 3-1/4 | .137 | 2.750 ^{+0.00} / _{-.003} | 3.249 ^{+0.00} / _{-.002} | 3.250 ^{+0.03} / _{+0.00} | 11.50 |
| PRC250-03.000 | 3 | 3-1/2 | .137 | 3.000 ^{+0.00} / _{-.003} | 3.499 ^{+0.00} / _{-.002} | 3.500 ^{+0.03} / _{+0.00} | 12.78 |
| PRC250-03.250 | 3-1/4 | 3-3/4 | .137 | 3.250 ^{+0.00} / _{-.003} | 3.749 ^{+0.00} / _{-.002} | 3.750 ^{+0.03} / _{+0.00} | 14.47 |
| PRC250-03.500 | 3-1/2 | 4 | .137 | 3.500 ^{+0.00} / _{-.003} | 3.999 ^{+0.00} / _{-.002} | 4.000 ^{+0.03} / _{+0.00} | 14.71 |
| PRC250-04.000 | 4 | 4-1/2 | .137 | 4.000 ^{+0.00} / _{-.003} | 4.499 ^{+0.00} / _{-.002} | 4.500 ^{+0.03} / _{+0.00} | 16.55 |
| PRC250-04.250 | 4-1/4 | 4-3/4 | .137 | 4.250 ^{+0.00} / _{-.003} | 4.749 ^{+0.00} / _{-.002} | 4.750 ^{+0.03} / _{+0.00} | 18.54 |
| PRC250-04.500 | 4-1/2 | 5 | .137 | 4.500 ^{+0.00} / _{-.003} | 4.999 ^{+0.00} / _{-.002} | 5.000 ^{+0.03} / _{+0.00} | 18.38 |
| PRC250-05.000 | 5 | 5-1/2 | .137 | 5.000 ^{+0.00} / _{-.003} | 5.499 ^{+0.00} / _{-.002} | 5.500 ^{+0.03} / _{+0.00} | 20.22 |
| PRC250-05.500 | 5-1/2 | 6 | .137 | 5.500 ^{+0.00} / _{-.003} | 5.999 ^{+0.00} / _{-.002} | 6.000 ^{+0.03} / _{+0.00} | 29.69 |
| PRC250-06.000 | 6 | 6-1/2 | .137 | 6.000 ^{+0.00} / _{-.003} | 6.499 ^{+0.00} / _{-.002} | 6.500 ^{+0.03} / _{+0.00} | 30.09 |
| PRC250-06.500 | 6-1/2 | 7 | .137 | 6.500 ^{+0.00} / _{-.003} | 6.999 ^{+0.00} / _{-.002} | 7.000 ^{+0.03} / _{+0.00} | 32.03 |
| 5/16" C/S | | | | | | | |
| PRC312-02.375 | 2-3/8 | 3 | .165 | 2.375 ^{+0.00} / _{-.004} | 2.998 ^{+0.00} / _{-.002} | 3.000 ^{+0.03} / _{+0.00} | \$12.58 |
| PRC312-03.375 | 3-3/8 | 4 | .165 | 3.375 ^{+0.00} / _{-.004} | 3.998 ^{+0.00} / _{-.002} | 4.000 ^{+0.03} / _{+0.00} | 17.07 |
| PRC312-04.375 | 4-3/8 | 5 | .165 | 4.375 ^{+0.00} / _{-.004} | 4.998 ^{+0.00} / _{-.002} | 5.000 ^{+0.03} / _{+0.00} | 22.01 |
| 3/8" C/S | | | | | | | |
| PRC375-02.750 | 2-3/4 | 3-1/2 | .207 | 2.750 ^{+0.00} / _{-.005} | 3.498 ^{+0.00} / _{-.002} | 3.500 ^{+0.04} / _{+0.00} | \$17.86 |
| PRC375-03.250 | 3-1/4 | 4 | .207 | 3.250 ^{+0.00} / _{-.005} | 3.998 ^{+0.00} / _{-.002} | 4.000 ^{+0.04} / _{+0.00} | 22.65 |
| PRC375-03.750 | 3-3/4 | 4-1/2 | .207 | 3.750 ^{+0.00} / _{-.005} | 4.498 ^{+0.00} / _{-.002} | 4.500 ^{+0.04} / _{+0.00} | 25.64 |
| PRC375-04.250 | 4-1/4 | 5 | .207 | 4.250 ^{+0.00} / _{-.005} | 4.998 ^{+0.00} / _{-.002} | 5.000 ^{+0.04} / _{+0.00} | 28.96 |
| PRC375-05.250 | 5-1/4 | 6 | .207 | 5.250 ^{+0.00} / _{-.005} | 5.998 ^{+0.00} / _{-.002} | 6.000 ^{+0.04} / _{+0.00} | 35.16 |
| PRC375-05.500 | 5-1/2 | 6-1/4 | .207 | 5.500 ^{+0.00} / _{-.005} | 6.248 ^{+0.00} / _{-.002} | 6.250 ^{+0.04} / _{+0.00} | 36.44 |
| PRC375-06.250 | 6-1/4 | 7 | .207 | 6.250 ^{+0.00} / _{-.005} | 6.998 ^{+0.00} / _{-.002} | 7.000 ^{+0.04} / _{+0.00} | 39.50 |
| PRC375-07.250 | 7-1/4 | 8 | .207 | 7.250 ^{+0.00} / _{-.005} | 7.998 ^{+0.00} / _{-.002} | 8.000 ^{+0.04} / _{+0.00} | 47.18 |
| 1/2" C/S | | | | | | | |
| PRC500-08.000 | 8 | 9 | .275 | 8.000 ^{+0.00} / _{-.007} | 8.998 ^{+0.00} / _{-.003} | 9.000 ^{+0.05} / _{+0.00} | \$65.61 |
| PRC500-09.000 | 9 | 10 | .275 | 9.000 ^{+0.00} / _{-.007} | 9.998 ^{+0.00} / _{-.003} | 10.000 ^{+0.05} / _{+0.00} | 73.09 |

STYLE UFN-P SYMMETRICAL PLAIN SEALS

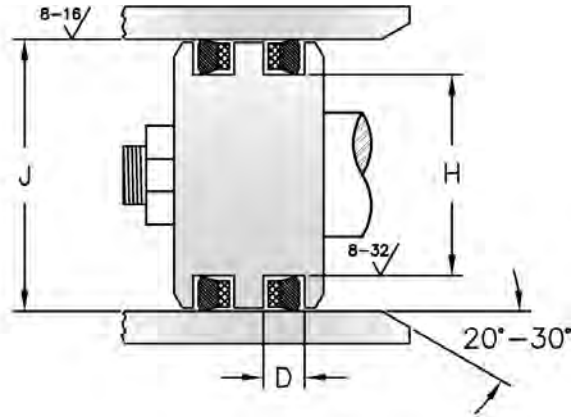
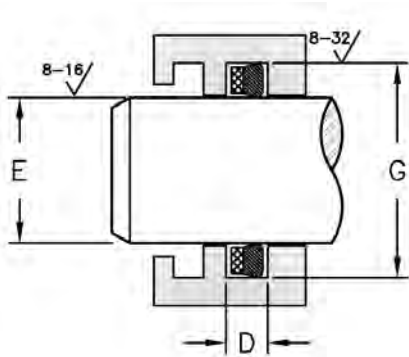
Incorporating a rubber seal lip and a rubberized fabric heel, this seal provides excellent sealability and high strength.



HERCULES PART NUMBERS

UFN 12 - 0.50 - 18P
 Type of Seal Cross Section Inside Diameter Height

| SEAL INFORMATION | |
|-------------------|-----------------|
| MATERIAL | RUBBER & FABRIC |
| TEMPERATURE RANGE | -22° TO +212° F |
| PRESSURE RANGE | 0 TO 2,900 PSI |
| SPEED | 1.5 FT/SEC |



U-SEALS

| Part Number | A Nom. ID | B Nom. OD | C Nom. Ht | D GROOVE WIDTH | E ROD DIAMETER | G HOUSING DIAMETER | H GROOVE DIAMETER | J BORE DIAMETER | List Price |
|------------------|-----------|-----------|-----------|--|---|--------------------|-------------------|---|------------|
| 1/8" C/S | | | | | | | | | |
| UFN12-0.50-18P | 1/2 | 3/4 | 3/16 | .202 ^{+0.010} / _{+0.000} | .500 ^{-.001} / _{-.002} | .750 ±.003 | .500 ±.002 | .750 ^{+0.003} / _{+0.000} | \$5.01 |
| UFN12-0.62-18P | 5/8 | 7/8 | 3/16 | .202 ^{+0.010} / _{+0.000} | .625 ^{-.001} / _{-.002} | .875 ±.003 | .625 ±.002 | .875 ^{+0.003} / _{+0.000} | 5.01 |
| UFN12-0.75-18P | 3/4 | 1 | 3/16 | .202 ^{+0.010} / _{+0.000} | .750 ^{-.001} / _{-.002} | 1.000 ±.003 | .750 ±.003 | 1.000 ^{+0.003} / _{+0.000} | 5.01 |
| UFN12-0.87-15P | 7/8 | 1-1/8 | 5/32 | .171 ^{+0.010} / _{+0.000} | .875 ^{-.001} / _{-.002} | 1.125 ±.003 | .875 ±.003 | 1.125 ^{+0.003} / _{+0.000} | 5.25 |
| UFN12-1.00-18P | 1 | 1-1/4 | 3/16 | .202 ^{+0.010} / _{+0.000} | 1.000 ^{-.001} / _{-.002} | 1.250 ±.003 | 1.000 ±.003 | 1.250 ^{+0.004} / _{+0.000} | 5.50 |
| UFN12-1.12-18P | 1-1/8 | 1-3/8 | 3/16 | .202 ^{+0.010} / _{+0.000} | 1.125 ^{-.001} / _{-.002} | 1.375 ±.003 | 1.125 ±.003 | 1.375 ^{+0.004} / _{+0.000} | 5.50 |
| UFN12-1.25-18P | 1-1/4 | 1-1/2 | 3/16 | .202 ^{+0.010} / _{+0.000} | 1.250 ^{-.001} / _{-.003} | 1.500 ±.003 | 1.250 ±.003 | 1.500 ^{+0.004} / _{+0.000} | 7.44 |
| UFN12-1.50-18P | 1-1/2 | 1-3/4 | 3/16 | .202 ^{+0.010} / _{+0.000} | 1.500 ^{-.001} / _{-.003} | 1.750 ±.003 | 1.500 ±.003 | 1.750 ^{+0.004} / _{+0.000} | 8.21 |
| 5/32" C/S | | | | | | | | | |
| UFN16-0.18-25P | 3/16 | 1/2 | 1/4 | .265 ^{+0.010} / _{+0.000} | .187 ^{+0.000} / _{-.001} | .500 ±.002 | .187 ±.001 | .500 ^{+0.003} / _{+0.000} | \$9.75 |
| UFN15-0.25-25P | 1/4 | 9/16 | 1/4 | .265 ^{+0.010} / _{+0.000} | .250 ^{-.001} / _{-.001} | .563 ±.002 | .250 ±.002 | .563 ^{+0.003} / _{+0.000} | 5.90 |
| UFN15-0.31-25P | 5/16 | 5/8 | 1/4 | .265 ^{+0.010} / _{+0.000} | .312 ^{-.001} / _{-.001} | .625 ±.002 | .312 ±.002 | .625 ^{+0.003} / _{+0.000} | 5.01 |
| 3/16" C/S | | | | | | | | | |

NORTH AMERICA
 PHONE 1-800-777-5617
 FAX 1-800-759-6391

SALES OFFICE HOURS
 8 A.M. TO 7:30 P.M. EASTERN TIME
www.HerculesUS.com

WORLDWIDE
 PHONE 1-727-796-1300
 FAX 1-727-797-8849



STYLE UFN-P SYMMETRICAL PLAIN SEALS

U-SEALS

| Part Number | A Nom. ID | B Nom. OD | C Nom. Ht | D GROOVE WIDTH | E ROD DIAMETER | G HOUSING DIAMETER | H GROOVE DIAMETER | J BORE DIAMETER | List Price |
|------------------|--------------|--------------|--------------|--|--|--------------------------|-------------------------|---|---------------|
| UFN18-0.50-28P | 1/2 | 7/8 | 9/32 | .296 ⁺⁰¹⁰ / ₊₀₀₀ | .500 ⁻⁰⁰¹ / _{-.002} | .875 ±.003 | .500 ±.002 | .875 ⁺⁰⁰³ / ₊₀₀₀ | \$5.01 |
| UFN18-0.62-28P | 5/8 | 1 | 9/32 | .296 ⁺⁰¹⁰ / ₊₀₀₀ | .625 ⁻⁰⁰¹ / _{-.002} | 1.000 ±.003 | .625 ±.002 | 1.000 ⁺⁰⁰³ / ₊₀₀₀ | 5.01 |
| UFN18-0.87-37P | 7/8 | 1-1/4 | 3/8 | .390 ⁺⁰¹⁰ / ₊₀₀₀ | .875 ⁻⁰⁰¹ / _{-.002} | 1.250 ±.003 | .875 ±.003 | 1.250 ⁺⁰⁰⁴ / ₊₀₀₀ | 7.06 |
| UFN18-1.00-25P | 1 | 1-3/8 | 1/4 | .265 ⁺⁰¹⁰ / ₊₀₀₀ | 1.000 ⁻⁰⁰¹ / _{-.002} | 1.375 ±.003 | 1.000 ±.003 | 1.375 ⁺⁰⁰⁴ / ₊₀₀₀ | 5.64 |
| UFN18-1.25-25P | 1-1/4 | 1-5/8 | 1/4 | .265 ⁺⁰¹⁰ / ₊₀₀₀ | 1.250 ⁻⁰⁰¹ / _{-.003} | 1.625 ±.003 | 1.250 ±.003 | 1.625 ⁺⁰⁰⁴ / ₊₀₀₀ | 5.76 |
| UFN18-1.37-28P | 1-3/8 | 1-3/4 | 9/32 | .296 ⁺⁰¹⁰ / ₊₀₀₀ | 1.375 ⁻⁰⁰¹ / _{-.003} | 1.750 ±.003 | 1.375 ±.003 | 1.750 ⁺⁰⁰⁴ / ₊₀₀₀ | 6.04 |
| UFN18-1.50-17P | 1-1/2 | 1-7/8 | 11/64 | .187 ⁺⁰¹⁰ / ₊₀₀₀ | 1.500 ⁻⁰⁰¹ / _{-.003} | 1.875 ±.003 | 1.500 ±.003 | 1.875 ⁺⁰⁰⁴ / ₊₀₀₀ | 6.67 |
| UFN18-1.50-25P | 1-1/2 | 1-7/8 | 1/4 | .265 ⁺⁰¹⁰ / ₊₀₀₀ | 1.500 ⁻⁰⁰¹ / _{-.003} | 1.875 ±.003 | 1.500 ±.003 | 1.875 ⁺⁰⁰⁴ / ₊₀₀₀ | 6.28 |
| UFN18-1.75-17P | 1-3/4 | 2-1/8 | 11/64 | .187 ⁺⁰¹⁰ / ₊₀₀₀ | 1.750 ⁻⁰⁰¹ / _{-.003} | 2.125 ±.004 | 1.750 ±.003 | 2.125 ⁺⁰⁰⁵ / ₊₀₀₀ | 8.06 |
| UFN18-1.75-28P | 1-3/4 | 2-1/8 | 9/32 | .296 ⁺⁰¹⁰ / ₊₀₀₀ | 1.750 ⁻⁰⁰¹ / _{-.003} | 2.125 ±.004 | 1.750 ±.003 | 2.125 ⁺⁰⁰⁵ / ₊₀₀₀ | 7.44 |
| UFN18-2.25-25P | 2-1/4 | 2-5/8 | 1/4 | .265 ⁺⁰¹⁰ / ₊₀₀₀ | 2.250 ⁻⁰⁰¹ / _{-.003} | 2.625 ±.004 | 2.250 ±.004 | 2.625 ⁺⁰⁰⁵ / ₊₀₀₀ | 17.41 |
| UFN18-3.00-31P | 3 | 3-3/8 | 5/16 | .327 ⁺⁰¹⁰ / ₊₀₀₀ | 3.000 ⁻⁰⁰¹ / _{-.003} | 3.375 ±.004 | 3.000 ±.004 | 3.375 ⁺⁰⁰⁶ / ₊₀₀₀ | 12.82 |
| 7/32" C/S | | | | | | | | | |
| UFN22-0.56-28P | 9/16 | 1 | 9/32 | .296 ⁺⁰¹⁰ / ₊₀₀₀ | .562 ⁻⁰⁰¹ / _{-.002} | 1.000 ±.003 | .562 ±.002 | 1.000 ⁺⁰⁰³ / ₊₀₀₀ | \$6.28 |
| 1/4" C/S | | | | | | | | | |
| UFN25-0.62-37P | 5/8 | 1-1/8 | 3/8 | .390 ⁺⁰¹⁰ / ₊₀₀₀ | .625 ⁻⁰⁰¹ / _{-.002} | 1.125 ±.003 | .625 ±.002 | 1.125 ⁺⁰⁰³ / ₊₀₀₀ | \$6.42 |
| UFN25-0.75-31P | 3/4 | 1-1/4 | 5/16 | .327 ⁺⁰¹⁰ / ₊₀₀₀ | .750 ⁻⁰⁰¹ / _{-.002} | 1.250 ±.003 | .750 ±.003 | 1.250 ⁺⁰⁰⁴ / ₊₀₀₀ | 5.50 |
| UFN25-0.87-37P | 7/8 | 1-3/8 | 3/8 | .390 ⁺⁰¹⁰ / ₊₀₀₀ | .875 ⁻⁰⁰¹ / _{-.002} | 1.375 ±.003 | .875 ±.003 | 1.375 ⁺⁰⁰⁴ / ₊₀₀₀ | 5.64 |
| UFN25-1.00-25P | 1 | 1-1/2 | 1/4 | .265 ⁺⁰¹⁰ / ₊₀₀₀ | 1.000 ⁻⁰⁰¹ / _{-.002} | 1.500 ±.003 | 1.000 ±.003 | 1.500 ⁺⁰⁰⁴ / ₊₀₀₀ | 5.64 |
| UFN25-1.12-37P | 1-1/8 | 1-5/8 | 3/8 | .390 ⁺⁰¹⁰ / ₊₀₀₀ | 1.125 ⁻⁰⁰¹ / _{-.002} | 1.625 ±.003 | 1.125 ±.003 | 1.625 ⁺⁰⁰⁴ / ₊₀₀₀ | 6.67 |
| UFN25-1.25-37P | 1-1/4 | 1-3/4 | 3/8 | .390 ⁺⁰¹⁰ / ₊₀₀₀ | 1.250 ⁻⁰⁰¹ / _{-.003} | 1.750 ±.003 | 1.250 ±.003 | 1.750 ⁺⁰⁰⁴ / ₊₀₀₀ | 6.03 |
| UFN25-1.50-28P | 1-1/2 | 2 | 9/32 | .296 ⁺⁰¹⁰ / ₊₀₀₀ | 1.500 ⁻⁰⁰¹ / _{-.003} | 2.000 ±.004 | 1.500 ±.003 | 2.000 ⁺⁰⁰⁵ / ₊₀₀₀ | 6.99 |
| UFN25-1.50-37P | 1-1/2 | 2 | 3/8 | .390 ⁺⁰¹⁰ / ₊₀₀₀ | 1.500 ⁻⁰⁰¹ / _{-.003} | 2.000 ±.004 | 1.500 ±.003 | 2.000 ⁺⁰⁰⁵ / ₊₀₀₀ | 6.80 |
| UFN25-1.75-37P | 1-3/4 | 2-1/4 | 3/8 | .390 ⁺⁰¹⁰ / ₊₀₀₀ | 1.750 ⁻⁰⁰¹ / _{-.003} | 2.250 ±.004 | 1.750 ±.003 | 2.250 ⁺⁰⁰⁵ / ₊₀₀₀ | 8.06 |
| UFN25-2.00-31P | 2 | 2-1/2 | 5/16 | .327 ⁺⁰¹⁰ / ₊₀₀₀ | 2.000 ⁻⁰⁰¹ / _{-.003} | 2.500 ±.004 | 2.000 ±.004 | 2.500 ⁺⁰⁰⁵ / ₊₀₀₀ | 10.26 |
| UFN25-2.00-37P | 2 | 2-1/2 | 3/8 | .390 ⁺⁰¹⁰ / ₊₀₀₀ | 2.000 ⁻⁰⁰¹ / _{-.003} | 2.500 ±.004 | 2.000 ±.004 | 2.500 ⁺⁰⁰⁵ / ₊₀₀₀ | 9.37 |
| UFN25-3.00-37P | 3 | 3-1/2 | 3/8 | .390 ⁺⁰¹⁰ / ₊₀₀₀ | 3.000 ⁻⁰⁰¹ / _{-.003} | 3.500 ±.004 | 3.000 ±.004 | 3.500 ⁺⁰⁰⁶ / ₊₀₀₀ | 12.06 |
| 5/16" C/S | | | | | | | | | |
| UFN31-0.87-37P | 7/8 | 1-1/2 | 3/8 | .390 ⁺⁰¹⁰ / ₊₀₀₀ | .875 ⁻⁰⁰¹ / _{-.002} | 1.500 ±.003 | .875 ±.003 | 1.500 ⁺⁰⁰⁴ / ₊₀₀₀ | \$8.06 |
| UFN31-1.12-43P | 1-1/8 | 1-3/4 | 7/16 | .452 ⁺⁰¹⁰ / ₊₀₀₀ | 1.125 ⁻⁰⁰¹ / _{-.002} | 1.750 ±.003 | 1.125 ±.003 | 1.750 ⁺⁰⁰⁴ / ₊₀₀₀ | 6.03 |
| UFN31-1.25-31P | 1-1/4 | 1-7/8 | 5/16 | .327 ⁺⁰¹⁰ / ₊₀₀₀ | 1.250 ⁻⁰⁰¹ / _{-.003} | 1.875 ±.003 | 1.250 ±.003 | 1.875 ⁺⁰⁰⁴ / ₊₀₀₀ | 7.96 |
| UFN31-1.25-43P | 1-1/4 | 1-7/8 | 7/16 | .452 ⁺⁰¹⁰ / ₊₀₀₀ | 1.250 ⁻⁰⁰¹ / _{-.003} | 1.875 ±.003 | 1.250 ±.003 | 1.875 ⁺⁰⁰⁴ / ₊₀₀₀ | 6.16 |
| UFN31-1.37-37P | 1-3/8 | 2 | 3/8 | .390 ⁺⁰¹⁰ / ₊₀₀₀ | 1.375 ⁻⁰⁰¹ / _{-.003} | 2.000 ±.004 | 1.375 ±.003 | 2.000 ⁺⁰⁰⁵ / ₊₀₀₀ | 7.06 |
| UFN31-1.37-43P | 1-3/8 | 2 | 7/16 | .452 ⁺⁰¹⁰ / ₊₀₀₀ | 1.375 ⁻⁰⁰¹ / _{-.003} | 2.000 ±.004 | 1.375 ±.003 | 2.000 ⁺⁰⁰⁵ / ₊₀₀₀ | 6.80 |

FORMERLY LISTED SEALS ARE AVAILABLE ONLINE AT WWW.HERCULESUS.COM
OR BY CONTACTING YOUR REGIONAL HERCULES SALES TEAM.



STYLE UFN-P SYMMETRICAL PLAIN SEALS

U-SEALS

| Part Number | A Nom. ID | B Nom. OD | C Nom. Ht | D GROOVE WIDTH | E ROD DIAMETER | G HOUSING DIAMETER | H GROOVE DIAMETER | J BORE DIAMETER | List Price |
|--------------------|--------------|--------------|--------------|--|---|--------------------------|-------------------------|---|---------------|
| UFN31-1.50-31P | 1-1/2 | 2-1/8 | 5/16 | .327 ^{+0.010} / _{+0.000} | 1.500 ^{-0.001} / _{-0.003} | 2.125 ±.004 | 1.500 ±.003 | 2.125 ^{+0.005} / _{+0.000} | 11.56 |
| UFN31-1.50-46P | 1-1/2 | 2-1/8 | 15/32 | .483 ^{+0.010} / _{+0.000} | 1.500 ^{-0.001} / _{-0.003} | 2.125 ±.004 | 1.500 ±.003 | 2.125 ^{+0.005} / _{+0.000} | 8.06 |
| UFN31-1.62-43P | 1-5/8 | 2-1/4 | 7/16 | .452 ^{+0.010} / _{+0.000} | 1.625 ^{-0.001} / _{-0.003} | 2.250 ±.004 | 1.625 ±.003 | 2.250 ^{+0.005} / _{+0.000} | 9.37 |
| UFN31-1.75-43P | 1-3/4 | 2-3/8 | 7/16 | .452 ^{+0.010} / _{+0.000} | 1.750 ^{-0.001} / _{-0.003} | 2.375 ±.004 | 1.750 ±.003 | 2.375 ^{+0.005} / _{+0.000} | 8.56 |
| UFN31-1.87-37P | 1-7/8 | 2-1/2 | 3/8 | .390 ^{+0.010} / _{+0.000} | 1.875 ^{-0.001} / _{-0.003} | 2.500 ±.004 | 1.875 ±.003 | 2.500 ^{+0.005} / _{+0.000} | 10.63 |
| UFN31-1.87-43P | 1-7/8 | 2-1/2 | 7/16 | .452 ^{+0.010} / _{+0.000} | 1.875 ^{-0.001} / _{-0.003} | 2.500 ±.004 | 1.875 ±.003 | 2.500 ^{+0.005} / _{+0.000} | 10.39 |
| UFN31-2.00-43P | 2 | 2-5/8 | 7/16 | .452 ^{+0.010} / _{+0.000} | 2.000 ^{-0.001} / _{-0.003} | 2.625 ±.004 | 2.000 ±.004 | 2.625 ^{+0.005} / _{+0.000} | 9.37 |
| 1 1/32" C/S | | | | | | | | | |
| UFN34-1.50-43P | 1-1/2 | 2-3/16 | 7/16 | .453 ^{+0.010} / _{+0.000} | 1.500 ^{-0.001} / _{-0.003} | 2.188 ±.004 | 1.500 ±.003 | 2.188 ^{+0.005} / _{+0.000} | \$8.39 |
| 3/8" C/S | | | | | | | | | |
| UFN37-1.50-47P | 1-1/2 | 2-1/4 | 15/32 | .483 ^{+0.010} / _{+0.000} | 1.500 ^{-0.001} / _{-0.003} | 2.250 ±.004 | 1.500 ±.003 | 2.250 ^{+0.005} / _{+0.000} | \$10.26 |
| UFN37-1.75-50P | 1-3/4 | 2-1/2 | 1/2 | .515 ^{+0.010} / _{+0.000} | 1.750 ^{-0.001} / _{-0.003} | 2.500 ±.004 | 1.750 ±.003 | 2.500 ^{+0.005} / _{+0.000} | 11.78 |
| UFN37-2.00-56P | 2 | 2-3/4 | 9/16 | .577 ^{+0.010} / _{+0.000} | 2.000 ^{-0.001} / _{-0.003} | 2.750 ±.004 | 2.000 ±.004 | 2.750 ^{+0.005} / _{+0.000} | 10.26 |
| UFN37-2.25-37P | 2-1/4 | 3 | 3/8 | .390 ^{+0.010} / _{+0.000} | 2.250 ^{-0.001} / _{-0.003} | 3.000 ±.004 | 2.250 ±.004 | 3.000 ^{+0.005} / _{+0.000} | 11.69 |
| UFN37-2.25-50P | 2-1/4 | 3 | 1/2 | .515 ^{+0.010} / _{+0.000} | 2.250 ^{-0.001} / _{-0.003} | 3.000 ±.004 | 2.250 ±.004 | 3.000 ^{+0.005} / _{+0.000} | 11.15 |
| UFN37-2.25-56P | 2-1/4 | 3 | 9/16 | .577 ^{+0.010} / _{+0.000} | 2.250 ^{-0.001} / _{-0.003} | 3.000 ±.004 | 2.250 ±.004 | 3.000 ^{+0.005} / _{+0.000} | 10.26 |
| UFN37-2.50-56P | 2-1/2 | 3-1/4 | 9/16 | .577 ^{+0.010} / _{+0.000} | 2.500 ^{-0.001} / _{-0.003} | 3.250 ±.004 | 2.500 ±.004 | 3.250 ^{+0.006} / _{+0.000} | 11.78 |
| UFN37-2.75-56P | 2-3/4 | 3-1/2 | 9/16 | .577 ^{+0.010} / _{+0.000} | 2.750 ^{-0.001} / _{-0.003} | 3.500 ±.004 | 2.750 ±.004 | 3.500 ^{+0.006} / _{+0.000} | 14.25 |
| UFN37-3.00-50P | 3 | 3-3/4 | 1/2 | .515 ^{+0.010} / _{+0.000} | 3.000 ^{-0.001} / _{-0.003} | 3.750 ±.004 | 3.000 ±.004 | 3.750 ^{+0.006} / _{+0.000} | 12.95 |
| UFN37-3.00-56P | 3 | 3-3/4 | 9/16 | .577 ^{+0.010} / _{+0.000} | 3.000 ^{-0.001} / _{-0.003} | 3.750 ±.004 | 3.000 ±.004 | 3.750 ^{+0.006} / _{+0.000} | 13.08 |
| UFN37-3.25-50P | 3-1/4 | 4 | 1/2 | .515 ^{+0.010} / _{+0.000} | 3.250 ^{-0.001} / _{-0.004} | 4.000 ±.004 | 3.250 ±.004 | 4.000 ^{+0.006} / _{+0.000} | 14.86 |
| UFN37-3.25-56P | 3-1/4 | 4 | 9/16 | .577 ^{+0.010} / _{+0.000} | 3.250 ^{-0.001} / _{-0.004} | 4.000 ±.004 | 3.250 ±.004 | 4.000 ^{+0.006} / _{+0.000} | 15.63 |
| UFN37-3.50-56P | 3-1/2 | 4-1/4 | 9/16 | .577 ^{+0.010} / _{+0.000} | 3.500 ^{-0.001} / _{-0.004} | 4.250 ±.004 | 3.500 ±.004 | 4.250 ^{+0.006} / _{+0.000} | 16.29 |
| 1/2" C/S | | | | | | | | | |
| UFN50-3.00-62P | 3 | 4 | 5/8 | .640 ^{+0.010} / _{+0.000} | 3.000 ^{-0.001} / _{-0.003} | 4.000 ±.004 | 3.000 ±.004 | 4.000 ^{+0.006} / _{+0.000} | \$13.86 |
| UFN50-4.00-75P | 4 | 5 | 3/4 | .765 ^{+0.010} / _{+0.000} | 4.000 ^{-0.001} / _{-0.004} | 5.000 ±.005 | 4.000 ±.004 | 5.000 ^{+0.006} / _{+0.000} | 20.77 |
| UFN50-6.00-75P | 6 | 7 | 3/4 | .765 ^{+0.010} / _{+0.000} | 6.000 ^{-0.002} / _{-0.004} | 7.000 ±.005 | 6.000 ±.005 | 7.000 ^{+0.006} / _{+0.000} | 71.18 |

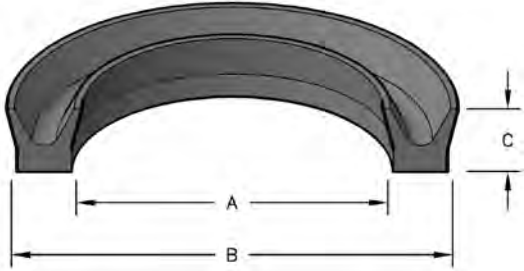
NORTH AMERICA
PHONE 1-800-777-5617
FAX 1-800-759-6391

SALES OFFICE HOURS
8 A.M. TO 7:30 P.M. EASTERN TIME
www.HerculesUS.com

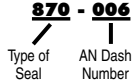
WORLDWIDE
PHONE 1-727-796-1300
FAX 1-727-797-8849

STYLE 870 HOMOGENEOUS U-SEALS

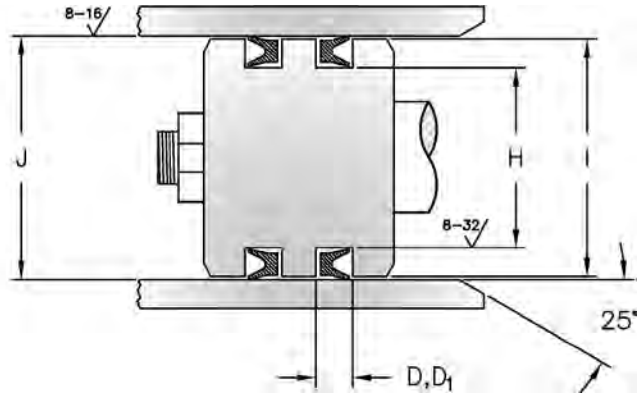
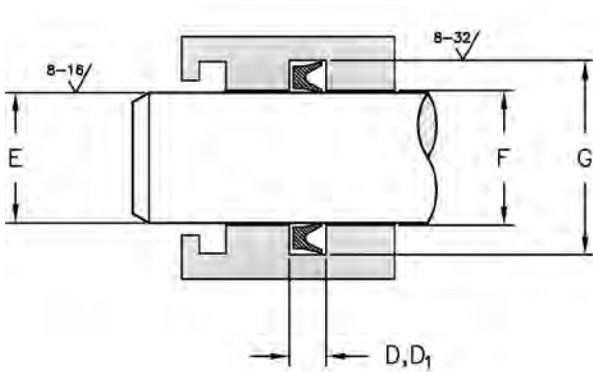
Style 870 u-seals are precision molded from Buna-N synthetic rubber. Style 870 u-seal numbers conform in size to Army-Navy specification AN6226.



HERCULES PART NUMBERS



| SEAL INFORMATION | |
|-------------------|-------------------|
| MATERIAL | 70A BUNA-N RUBBER |
| TEMPERATURE RANGE | -40° TO +240° F |
| PRESSURE RANGE | 0 TO 500 PSI |
| SPEED | 3 FT/SEC |



U-SEALS

| Part Number | A Nom. ID | B Nom. OD | C Nom. Ht | D GROOVE WIDTH | D ₁ GROOVE WIDTH WITH BACKUP | E ROD DIAMETER | F THROAT DIAMETER | G HOUSING DIAMETER | H GROOVE DIAMETER | I PISTON DIAMETER | J BORE DIAMETER | List Price |
|-------------|-----------|-----------|-----------|--|---|--|--|--|--|--|--|------------|
| 870-006 | 1/8 | 1/4 | 1/16 | .094 ^{+0.010} / _{+0.000} | .156 ±0.010 | .125 ^{+0.000} / _{-0.001} | .126 ^{+0.001} / _{+0.000} | .250 ^{+0.001} / _{+0.000} | .125 ^{+0.000} / _{-0.001} | .249 ^{+0.000} / _{-0.001} | .250 ^{+0.002} / _{+0.000} | \$1.01 |
| 870-41 | 1/8 | 3/8 | 1/8 | .156 ^{+0.010} / _{+0.000} | .218 ±0.010 | .125 ^{+0.000} / _{-0.001} | .127 ^{+0.002} / _{+0.000} | .375 ^{+0.002} / _{+0.000} | .125 ^{+0.000} / _{-0.001} | .373 ^{+0.000} / _{-0.002} | .375 ^{+0.003} / _{+0.000} | 1.62 |
| 870-01 | 1/8 | 1/2 | 3/16 | .218 ^{+0.010} / _{+0.000} | .280 ±0.010 | .125 ^{+0.000} / _{-0.001} | .126 ^{+0.002} / _{+0.000} | .500 ^{+0.002} / _{+0.000} | .125 ^{+0.000} / _{-0.004} | .498 ^{+0.000} / _{-0.001} | .500 ^{+0.003} / _{+0.000} | 1.62 |
| 870-42 | 3/16 | 7/16 | 1/8 | .156 ^{+0.010} / _{+0.000} | .218 ±0.010 | .187 ^{+0.000} / _{-0.001} | .189 ^{+0.002} / _{+0.000} | .438 ^{+0.002} / _{+0.000} | .187 ^{+0.000} / _{-0.001} | .435 ^{+0.000} / _{-0.002} | .438 ^{+0.003} / _{+0.000} | 1.62 |
| 870-02 | 3/16 | 9/16 | 3/16 | .218 ^{+0.010} / _{+0.000} | .280 ±0.010 | .187 ^{+0.000} / _{-0.001} | .188 ^{+0.002} / _{+0.000} | .563 ^{+0.002} / _{+0.000} | .187 ^{+0.000} / _{-0.004} | .560 ^{+0.000} / _{-0.001} | .563 ^{+0.003} / _{+0.000} | 1.62 |
| 870-43 | 1/4 | 1/2 | 1/8 | .156 ^{+0.010} / _{+0.000} | .218 ±0.010 | .250 ^{+0.000} / _{-0.001} | .252 ^{+0.002} / _{+0.000} | .500 ^{+0.002} / _{+0.000} | .250 ^{+0.000} / _{-0.001} | .498 ^{+0.000} / _{-0.002} | .500 ^{+0.003} / _{+0.000} | 1.62 |
| 870-03 | 1/4 | 5/8 | 3/16 | .218 ^{+0.010} / _{+0.000} | .280 ±0.010 | .250 ^{+0.000} / _{-0.001} | .251 ^{+0.002} / _{+0.000} | .625 ^{+0.002} / _{+0.000} | .250 ^{+0.000} / _{-0.004} | .623 ^{+0.000} / _{-0.001} | .625 ^{+0.003} / _{+0.000} | 1.69 |
| 870-08 | 1/4 | 3/4 | 1/4 | .281 ^{+0.010} / _{+0.000} | .343 ±0.010 | .250 ^{+0.000} / _{-0.002} | .251 ^{+0.003} / _{+0.000} | .750 ^{+0.003} / _{+0.000} | .250 ^{+0.000} / _{-0.003} | .748 ^{+0.000} / _{-0.001} | .750 ^{+0.003} / _{+0.000} | 2.06 |
| 870-44 | 5/16 | 9/16 | 1/8 | .156 ^{+0.010} / _{+0.000} | .218 ±0.010 | .312 ^{+0.000} / _{-0.001} | .314 ^{+0.002} / _{+0.000} | .563 ^{+0.002} / _{+0.000} | .312 ^{+0.000} / _{-0.001} | .560 ^{+0.000} / _{-0.002} | .563 ^{+0.003} / _{+0.000} | 1.62 |
| 870-04 | 5/16 | 11/16 | 3/16 | .218 ^{+0.010} / _{+0.000} | .280 ±0.010 | .312 ^{+0.000} / _{-0.001} | .313 ^{+0.002} / _{+0.000} | .688 ^{+0.002} / _{+0.000} | .312 ^{+0.000} / _{-0.004} | .685 ^{+0.000} / _{-0.001} | .688 ^{+0.003} / _{+0.000} | 1.69 |
| 870-09 | 5/16 | 13/16 | 1/4 | .281 ^{+0.010} / _{+0.000} | .343 ±0.010 | .312 ^{+0.000} / _{-0.002} | .313 ^{+0.003} / _{+0.000} | .813 ^{+0.003} / _{+0.000} | .312 ^{+0.000} / _{-0.003} | .810 ^{+0.000} / _{-0.001} | .813 ^{+0.003} / _{+0.000} | 2.06 |
| 870-45 | 3/8 | 5/8 | 1/8 | .156 ^{+0.010} / _{+0.000} | .218 ±0.010 | .375 ^{+0.000} / _{-0.001} | .377 ^{+0.002} / _{+0.000} | .625 ^{+0.002} / _{+0.000} | .375 ^{+0.000} / _{-0.001} | .623 ^{+0.000} / _{-0.002} | .625 ^{+0.003} / _{+0.000} | 1.69 |
| 870-05 | 3/8 | 3/4 | 3/16 | .218 ^{+0.010} / _{+0.000} | .280 ±0.010 | .375 ^{+0.000} / _{-0.001} | .376 ^{+0.002} / _{+0.000} | .750 ^{+0.002} / _{+0.000} | .375 ^{+0.000} / _{-0.004} | .748 ^{+0.000} / _{-0.001} | .750 ^{+0.003} / _{+0.000} | 1.69 |

FORMERLY LISTED SEALS ARE AVAILABLE ONLINE AT WWW.HERCULESUS.COM
OR BY CONTACTING YOUR REGIONAL HERCULES SALES TEAM.



STYLE 870 HOMOGENEOUS U-SEALS

U-SEALS

| Part Number | A Nom. ID | B Nom. OD | C Nom. Ht | D GROOVE WIDTH | D ₁ GROOVE WIDTH WITH BACKUP | E ROD DIAMETER | F THROAT DIAMETER | G HOUSING DIAMETER | H GROOVE DIAMETER | I PISTON DIAMETER | J BORE DIAMETER | List Price |
|-------------|-----------|-----------|-----------|--------------------|---|---------------------|---------------------|---------------------|---------------------|---------------------|---------------------|------------|
| 870-10 | 3/8 | 7/8 | 1/4 | .281 +.010 / +.000 | .343 ±.010 | .375 +.000 / -.002 | .376 +.003 / +.000 | .875 +.003 / +.000 | .375 +.000 / -.003 | .873 +.000 / -.001 | .875 +.003 / +.000 | 2.06 |
| 870-46 | 7/16 | 11/16 | 1/8 | .156 +.010 / +.000 | .218 ±.010 | .437 +.000 / -.001 | .439 +.002 / +.000 | .688 +.002 / +.000 | .437 +.000 / -.001 | .685 +.000 / -.002 | .688 +.003 / +.000 | 1.77 |
| 870-06 | 7/16 | 13/16 | 3/16 | .218 +.010 / +.000 | .280 ±.010 | .437 +.000 / -.001 | .438 +.002 / +.000 | .813 +.002 / +.000 | .437 +.000 / -.004 | .810 +.000 / -.001 | .813 +.003 / +.000 | 1.88 |
| 870-11 | 7/16 | 15/16 | 1/4 | .281 +.010 / +.000 | .343 ±.010 | .437 +.000 / -.002 | .438 +.003 / +.000 | .938 +.003 / +.000 | .437 +.000 / -.003 | .935 +.000 / -.001 | .938 +.003 / +.000 | 2.06 |
| 870-47 | 1/2 | 3/4 | 1/8 | .156 +.010 / +.000 | .218 ±.010 | .500 +.000 / -.001 | .502 +.002 / +.000 | .750 +.002 / +.000 | .500 +.000 / -.001 | .748 +.000 / -.002 | .750 +.003 / +.000 | 1.77 |
| 870-07 | 1/2 | 7/8 | 3/16 | .218 +.010 / +.000 | .280 ±.010 | .500 +.000 / -.001 | .501 +.002 / +.000 | .875 +.002 / +.000 | .500 +.000 / -.004 | .873 +.000 / -.001 | .875 +.003 / +.000 | 1.95 |
| 870-12 | 1/2 | 1 | 1/4 | .281 +.010 / +.000 | .343 ±.010 | .500 +.000 / -.002 | .501 +.003 / +.000 | 1.000 +.003 / +.000 | .500 +.000 / -.003 | .998 +.000 / -.001 | 1.000 +.003 / +.000 | 2.19 |
| 870-13 | 9/16 | 1-1/16 | 1/4 | .281 +.010 / +.000 | .343 ±.010 | .562 +.000 / -.002 | .563 +.003 / +.000 | 1.063 +.003 / +.000 | .562 +.000 / -.003 | 1.060 +.000 / -.001 | 1.063 +.003 / +.000 | 2.19 |
| 870-48 | 5/8 | 1 | 3/16 | .218 +.010 / +.000 | .280 ±.010 | .625 +.000 / -.001 | .627 +.002 / +.000 | 1.000 +.002 / +.000 | .625 +.000 / -.004 | .998 +.000 / -.002 | 1.000 +.003 / +.000 | 2.19 |
| 870-14 | 5/8 | 1-1/8 | 1/4 | .281 +.010 / +.000 | .343 ±.010 | .625 +.000 / -.002 | .626 +.003 / +.000 | 1.125 +.003 / +.000 | .625 +.000 / -.003 | 1.123 +.000 / -.001 | 1.125 +.003 / +.000 | 2.19 |
| 870-15 | 11/16 | 1-3/16 | 1/4 | .281 +.010 / +.000 | .343 ±.010 | .687 +.000 / -.002 | .688 +.003 / +.000 | 1.188 +.003 / +.000 | .687 +.000 / -.003 | 1.185 +.000 / -.001 | 1.188 +.003 / +.000 | 2.19 |
| 870-49 | 3/4 | 1-1/8 | 3/16 | .218 +.010 / +.000 | .280 ±.010 | .750 +.000 / -.001 | .752 +.002 / +.000 | 1.125 +.002 / +.000 | .750 +.000 / -.004 | 1.123 +.000 / -.002 | 1.125 +.003 / +.000 | 2.19 |
| 870-16 | 3/4 | 1-1/4 | 1/4 | .281 +.010 / +.000 | .343 ±.010 | .750 +.000 / -.002 | .751 +.003 / +.000 | 1.250 +.003 / +.000 | .750 +.000 / -.003 | 1.248 +.000 / -.001 | 1.250 +.003 / +.000 | 2.35 |
| 870-17 | 13/16 | 1-5/16 | 1/4 | .281 +.010 / +.000 | .343 ±.010 | .812 +.000 / -.002 | .813 +.003 / +.000 | 1.313 +.003 / +.000 | .812 +.000 / -.003 | 1.310 +.000 / -.001 | 1.313 +.003 / +.000 | 2.35 |
| 870-50 | 7/8 | 1-1/4 | 3/16 | .218 +.010 / +.000 | .280 ±.010 | .875 +.000 / -.001 | .877 +.002 / +.000 | 1.250 +.002 / +.000 | .875 +.000 / -.004 | 1.248 +.000 / -.002 | 1.250 +.003 / +.000 | 2.35 |
| 870-18 | 7/8 | 1-3/8 | 1/4 | .281 +.010 / +.000 | .343 ±.010 | .875 +.000 / -.002 | .876 +.003 / +.000 | 1.375 +.003 / +.000 | .875 +.000 / -.003 | 1.373 +.000 / -.001 | 1.375 +.003 / +.000 | 2.35 |
| 870-19 | 15/16 | 1-7/16 | 1/4 | .281 +.010 / +.000 | .343 ±.010 | .937 +.000 / -.002 | .938 +.003 / +.000 | 1.438 +.003 / +.000 | .937 +.000 / -.003 | 1.435 +.000 / -.001 | 1.438 +.003 / +.000 | 2.35 |
| 870-51 | 1 | 1-3/8 | 3/16 | .218 +.010 / +.000 | .280 ±.010 | 1.000 +.000 / -.001 | 1.002 +.002 / +.000 | 1.375 +.002 / +.000 | 1.000 +.000 / -.004 | 1.373 +.000 / -.001 | 1.375 +.003 / +.000 | 2.35 |
| 870-20 | 1 | 1-1/2 | 1/4 | .281 +.010 / +.000 | .343 ±.010 | 1.000 +.000 / -.002 | 1.001 +.003 / +.000 | 1.500 +.003 / +.000 | 1.000 +.000 / -.003 | 1.498 +.000 / -.001 | 1.500 +.003 / +.000 | 2.46 |
| 870-21 | 1-1/16 | 1-9/16 | 1/4 | .281 +.010 / +.000 | .343 ±.010 | 1.062 +.000 / -.002 | 1.063 +.003 / +.000 | 1.563 +.003 / +.000 | 1.062 +.000 / -.003 | 1.560 +.000 / -.001 | 1.563 +.003 / +.000 | 2.53 |
| 870-52 | 1-1/8 | 1-1/2 | 3/16 | .218 +.010 / +.000 | .280 ±.010 | 1.125 +.000 / -.001 | 1.127 +.002 / +.000 | 1.500 +.002 / +.000 | 1.125 +.000 / -.004 | 1.498 +.000 / -.001 | 1.500 +.003 / +.000 | 2.39 |
| 870-22 | 1-1/8 | 1-5/8 | 1/4 | .281 +.010 / +.000 | .343 ±.010 | 1.125 +.000 / -.002 | 1.126 +.003 / +.000 | 1.625 +.003 / +.000 | 1.125 +.000 / -.003 | 1.623 +.000 / -.001 | 1.625 +.003 / +.000 | 2.53 |
| 870-23 | 1-3/16 | 1-11/16 | 1/4 | .281 +.010 / +.000 | .343 ±.010 | 1.187 +.000 / -.002 | 1.188 +.003 / +.000 | 1.688 +.003 / +.000 | 1.187 +.000 / -.003 | 1.685 +.000 / -.001 | 1.688 +.003 / +.000 | 2.53 |
| 870-53 | 1-1/4 | 1-5/8 | 3/16 | .218 +.010 / +.000 | .280 ±.010 | 1.250 +.000 / -.001 | 1.252 +.002 / +.000 | 1.625 +.002 / +.000 | 1.250 +.000 / -.004 | 1.623 +.000 / -.001 | 1.625 +.003 / +.000 | 2.39 |
| 870-24 | 1-1/4 | 1-3/4 | 1/4 | .281 +.010 / +.000 | .343 ±.010 | 1.250 +.000 / -.002 | 1.251 +.003 / +.000 | 1.750 +.003 / +.000 | 1.250 +.000 / -.003 | 1.748 +.000 / -.001 | 1.750 +.003 / +.000 | 2.53 |
| 870-25 | 1-1/4 | 1-7/8 | 5/16 | .344 +.010 / +.000 | .406 ±.010 | 1.250 +.000 / -.002 | 1.252 +.003 / +.000 | 1.875 +.004 / +.000 | 1.250 +.000 / -.004 | 1.873 +.000 / -.002 | 1.875 +.003 / +.000 | 2.71 |
| 870-26 | 1-3/8 | 2 | 5/16 | .344 +.010 / +.000 | .406 ±.010 | 1.375 +.000 / -.002 | 1.377 +.003 / +.000 | 2.000 +.004 / +.000 | 1.375 +.000 / -.004 | 1.998 +.000 / -.001 | 2.000 +.003 / +.000 | 2.89 |
| 870-27 | 1-1/2 | 2-1/8 | 5/16 | .344 +.010 / +.000 | .406 ±.010 | 1.500 +.000 / -.002 | 1.502 +.003 / +.000 | 2.125 +.004 / +.000 | 1.500 +.000 / -.004 | 2.123 +.000 / -.001 | 2.125 +.003 / +.000 | 2.98 |
| 870-28 | 1-5/8 | 2-1/4 | 5/16 | .344 +.010 / +.000 | .406 ±.010 | 1.625 +.000 / -.002 | 1.627 +.003 / +.000 | 2.250 +.004 / +.000 | 1.625 +.000 / -.004 | 2.248 +.000 / -.001 | 2.250 +.003 / +.000 | 3.02 |
| 870-29 | 1-3/4 | 2-3/8 | 5/16 | .344 +.010 / +.000 | .406 ±.010 | 1.750 +.000 / -.002 | 1.752 +.003 / +.000 | 2.375 +.004 / +.000 | 1.750 +.000 / -.004 | 2.373 +.000 / -.001 | 2.375 +.003 / +.000 | 3.07 |
| 870-30 | 1-7/8 | 2-1/2 | 5/16 | .344 +.010 / +.000 | .406 ±.010 | 1.875 +.000 / -.002 | 1.877 +.003 / +.000 | 2.500 +.004 / +.000 | 1.875 +.000 / -.004 | 2.498 +.000 / -.001 | 2.500 +.003 / +.000 | 3.16 |
| 870-2X2-3/8 | 2 | 2-3/8 | 3/16 | .218 +.010 / +.000 | .280 ±.010 | 2.000 +.000 / -.001 | 2.002 +.002 / +.000 | 2.375 +.002 / +.000 | 2.000 +.000 / -.004 | 2.373 +.000 / -.002 | 2.375 +.003 / +.000 | 6.39 |

NORTH AMERICA
PHONE 1-800-777-5617
FAX 1-800-759-6391

SALES OFFICE HOURS
8 A.M. TO 7:30 P.M. EASTERN TIME
www.HerculesUS.com

WORLDWIDE
PHONE 1-727-796-1300
FAX 1-727-797-8849

STYLE 870 HOMOGENEOUS U-SEALS

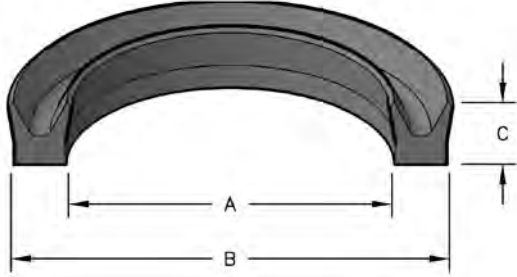
| Part Number | A Nom. ID | B Nom. OD | C Nom. Ht | D GROOVE WIDTH | D ₁ GROOVE WIDTH WITH BACKUP | E ROD DIAMETER | F THROAT DIAMETER | G HOUSING DIAMETER | H GROOVE DIAMETER | I PISTON DIAMETER | J BORE DIAMETER | List Price |
|---------------|-----------|-----------|-----------|---------------------|---|-----------------------|-----------------------|-----------------------|-----------------------|-----------------------|-----------------------|------------|
| 870-31 | 2 | 2-5/8 | 5/16 | .344 +.010 +.000 | .406 ±.010 | 2.000 +.000 -.002 | 2.002 +.003 +.000 | 2.625 +.004 +.000 | 2.000 +.000 -.004 | 2.623 +.000 -.001 | 2.625 +.003 +.000 | 3.25 |
| 870-32 | 2-1/8 | 2-3/4 | 5/16 | .344 +.010 +.000 | .406 ±.010 | 2.125 +.000 -.002 | 2.127 +.003 +.000 | 2.750 +.004 +.000 | 2.125 +.000 -.004 | 2.748 +.000 -.001 | 2.750 +.003 +.000 | 3.41 |
| 870-33 | 2-1/4 | 2-7/8 | 5/16 | .344 +.010 +.000 | .406 ±.010 | 2.250 +.000 -.002 | 2.252 +.003 +.000 | 2.875 +.004 +.000 | 2.250 +.000 -.004 | 2.873 +.000 -.001 | 2.875 +.003 +.000 | 3.47 |
| 870-34 | 2-3/8 | 3 | 5/16 | .344 +.010 +.000 | .406 ±.010 | 2.375 +.000 -.002 | 2.377 +.003 +.000 | 3.000 +.004 +.000 | 2.375 +.000 -.004 | 2.998 +.000 -.001 | 3.000 +.003 +.000 | 3.66 |
| 870-134 | 2-1/2 | 3 | 1/4 | .281 +.010 +.000 | .343 ±.010 | 2.500 +.000 -.002 | 2.502 +.003 +.000 | 3.000 +.003 +.000 | 2.500 +.000 -.003 | 2.998 +.000 -.002 | 3.000 +.003 +.000 | 3.58 |
| 870-35 | 2-1/2 | 3-1/8 | 5/16 | .344 +.010 +.000 | .406 ±.010 | 2.500 +.000 -.002 | 2.502 +.003 +.000 | 3.125 +.004 +.000 | 2.500 +.000 -.004 | 3.123 +.000 -.001 | 3.125 +.003 +.000 | 3.87 |
| 870-36 | 2-1/2 | 3-1/4 | 3/8 | .406 +.010 +.000 | .468 ±.010 | 2.500 +.000 -.002 | 2.502 +.004 +.000 | 3.250 +.005 +.000 | 2.500 +.000 -.005 | 3.248 +.000 -.001 | 3.250 +.004 +.000 | 4.02 |
| 870-2.62X3.12 | 2-5/8 | 3-1/8 | 1/4 | .281 +.010 +.000 | .343 ±.010 | 2.625 +.000 -.002 | 2.626 +.003 +.000 | 3.125 +.003 +.000 | 2.625 +.000 -.003 | 3.124 +.000 -.002 | 3.125 +.003 +.000 | 12.14 |
| 870-37 | 2-5/8 | 3-3/8 | 3/8 | .406 +.010 +.000 | .468 ±.010 | 2.625 +.000 -.002 | 2.627 +.004 +.000 | 3.375 +.005 +.000 | 2.625 +.000 -.005 | 3.373 +.000 -.001 | 3.375 +.004 +.000 | 4.20 |
| 870-38 | 2-3/4 | 3-1/2 | 3/8 | .406 +.010 +.000 | .468 ±.010 | 2.750 +.000 -.002 | 2.752 +.004 +.000 | 3.500 +.005 +.000 | 2.750 +.000 -.005 | 3.498 +.000 -.001 | 3.500 +.004 +.000 | 4.24 |
| 870-39 | 2-7/8 | 3-5/8 | 3/8 | .406 +.010 +.000 | .468 ±.010 | 2.875 +.000 -.002 | 2.877 +.004 +.000 | 3.625 +.005 +.000 | 2.875 +.000 -.005 | 3.623 +.000 -.001 | 3.625 +.004 +.000 | 4.38 |
| 870-40 | 3 | 3-3/4 | 3/8 | .406 +.010 +.000 | .468 ±.010 | 3.000 +.000 -.002 | 3.002 +.004 +.000 | 3.750 +.005 +.000 | 3.000 +.000 -.005 | 3.748 +.000 -.001 | 3.750 +.004 +.000 | 4.47 |
| 870-3.12X3.62 | 3-1/8 | 3-5/8 | 1/4 | .281 +.010 +.000 | .343 ±.010 | 3.125 +.000 -.002 | 3.126 +.003 +.000 | 3.625 +.003 +.000 | 3.125 +.000 -.003 | 3.624 +.000 -.002 | 3.625 +.003 +.000 | 14.14 |
| 870-60 | 3-1/4 | 4 | 3/8 | .406 +.010 +.000 | .468 ±.010 | 3.250 +.000 -.002 | 3.252 +.004 +.000 | 4.000 +.005 +.000 | 3.250 +.000 -.005 | 3.998 +.000 -.002 | 4.000 +.004 +.000 | 6.35 |
| 870-3.62X4.12 | 3-5/8 | 4-1/8 | 1/4 | .281 +.010 +.000 | .343 ±.010 | 3.625 +.000 -.002 | 3.626 +.003 +.000 | 4.125 +.003 +.000 | 3.625 +.000 -.003 | 4.124 +.000 -.002 | 4.125 +.003 +.000 | 17.91 |
| 870-4.12X4.62 | 4-1/8 | 4-5/8 | 1/4 | .281 +.010 +.000 | .343 ±.010 | 4.125 +.000 -.002 | 4.126 +.003 +.000 | 4.625 +.003 +.000 | 4.125 +.000 -.003 | 4.624 +.000 -.002 | 4.625 +.003 +.000 | 19.22 |
| 870-65 | 4-1/4 | 5 | 3/8 | .406 +.010 +.000 | .468 ±.010 | 4.250 +.000 -.002 | 4.252 +.004 +.000 | 5.000 +.005 +.000 | 4.250 +.000 -.005 | 4.998 +.000 -.002 | 5.000 +.004 +.000 | 10.45 |
| 870-5.12X6 | 5-1/8 | 6 | 7/16 | .469 +.010 +.000 | .531 ±.010 | 5.125 +.000 -.003 | 5.127 +.004 +.000 | 6.000 +.006 +.000 | 5.125 +.000 -.006 | 5.998 +.000 -.002 | 6.000 +.005 +.000 | 30.68 |
| 870-5.2X6 | 5-1/4 | 6 | 3/8 | .406 +.010 +.000 | .468 ±.010 | 5.250 +.000 -.002 | 5.252 +.004 +.000 | 6.000 +.005 +.000 | 5.250 +.000 -.005 | 5.998 +.000 -.002 | 6.000 +.004 +.000 | 23.61 |
| 870-5.2X6X.50 | 5-1/4 | 6 | 1/2 | .531 +.010 +.000 | .593 ±.010 | 5.250 +.000 -.002 | 5.252 +.005 +.000 | 6.000 +.005 +.000 | 5.250 +.000 -.005 | 5.998 +.000 -.003 | 6.000 +.004 +.000 | 23.61 |
| 870-6X7X.5 | 6 | 7 | 1/2 | .531 +.010 +.000 | .593 ±.010 | 6.000 +.000 -.003 | 6.002 +.005 +.000 | 7.000 +.007 +.000 | 6.000 +.000 -.007 | 6.998 +.000 -.003 | 7.000 +.005 +.000 | 25.69 |
| 870-6.12X7 | 6-1/8 | 7 | 7/16 | .469 +.010 +.000 | .531 ±.010 | 6.125 +.000 -.003 | 6.127 +.004 +.000 | 7.000 +.006 +.000 | 6.125 +.000 -.006 | 6.998 +.000 -.002 | 7.000 +.005 +.000 | 45.49 |
| 870-6.2X7X.50 | 6-1/4 | 7 | 1/2 | .531 +.010 +.000 | .593 ±.010 | 6.250 +.000 -.002 | 6.252 +.005 +.000 | 7.000 +.005 +.000 | 6.250 +.000 -.005 | 6.998 +.000 -.003 | 7.000 +.004 +.000 | 25.24 |
| 870-80 | 7 | 8 | 1/2 | .531 +.010 +.000 | .593 ±.010 | 7.000 +.000 -.003 | 7.002 +.005 +.000 | 8.000 +.007 +.000 | 7.000 +.000 -.007 | 7.998 +.000 -.003 | 8.000 +.005 +.000 | 24.14 |
| 870-9X10 | 9 | 10 | 1/2 | .531 +.010 +.000 | .593 ±.010 | 9.000 +.000 -.003 | 9.002 +.005 +.000 | 10.000 +.007 +.000 | 9.000 +.000 -.007 | 9.998 +.000 -.003 | 10.000 +.005 +.000 | 95.69 |
| 870-90 | 11 | 12 | 1/2 | .531 +.010 +.000 | .593 ±.010 | 11.000 +.000 -.003 | 11.002 +.005 +.000 | 12.000 +.007 +.000 | 11.000 +.000 -.007 | 11.998 +.000 -.003 | 12.000 +.005 +.000 | 38.68 |
| 870-95 | 13 | 14 | 1/2 | .531 +.010 +.000 | .593 ±.010 | 13.000 +.000 -.003 | 13.002 +.005 +.000 | 14.000 +.007 +.000 | 13.000 +.000 -.007 | 13.998 +.000 -.003 | 14.000 +.005 +.000 | 49.22 |

U-SEALS



STYLE HRU HOMOGENEOUS U-SEALS

Style HRU u-seals are precision molded from 80 Durometer Buna-N rubber. Sizes include those found in Army-Navy spec. AN6226 and narrow cross-section sizes found in J.I.C. cylinders and the popularly termed "Huva Cup".

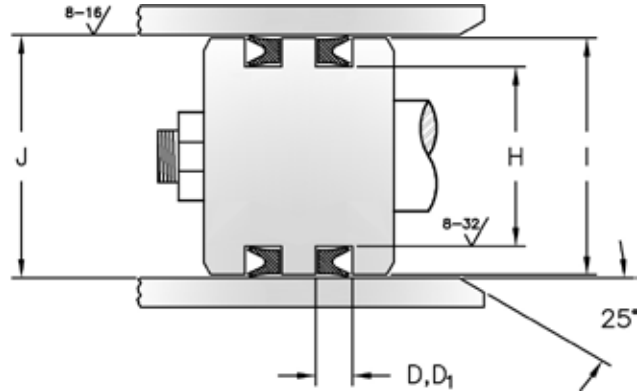
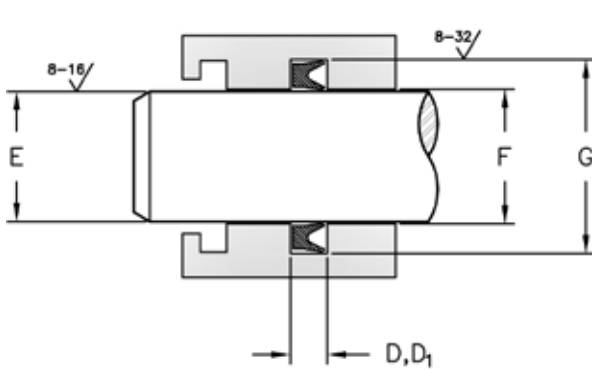


HERCULES PART NUMBERS

HRU 09 - 0.12 - 09
 Type of Seal Cross Section Inside Diameter Height

V= FLUOROCARBON

| SEAL INFORMATION | |
|-------------------|--|
| MATERIAL | 80A BUNA-N RUBBER 90A FLUOROCARBON |
| TEMPERATURE RANGE | BUNA-N: -40° TO +250° F FC: -20° TO +400° F |
| PRESSURE RANGE | BUNA-N: 0 TO 1,250 PSI FC: 0 TO 2,000 PSI |
| SPEED | 3 FT/SEC |



| Part Number | A Nom. ID | B Nom. OD | C Nom. Ht | D GROOVE WIDTH | D ₁ GROOVE WIDTH WITH BACKUP | E ROD DIAMETER | F THROAT DIAMETER | G HOUSING DIAMETER | H GROOVE DIAMETER | I PISTON DIAMETER | J BORE DIAMETER | List Price |
|------------------|-----------|-----------|-----------|--|---|--|--|--|--|--|--|------------|
| 3/32" C/S | | | | | | | | | | | | |
| HRU09-0.12-09 | 1/8 | 5/16 | 3/32 | .125 ^{+0.015} / _{+0.000} | .188 ±0.010 | .125 ^{+0.000} / _{-0.001} | .126 ^{+0.002} / _{+0.000} | .313 ^{+0.002} / _{+0.000} | .125 ^{+0.000} / _{-0.001} | .310 ^{+0.000} / _{-0.001} | .313 ^{+0.002} / _{+0.000} | \$2.18 |
| HRU09-0.18-09 | 3/16 | 3/8 | 3/32 | .125 ^{+0.015} / _{+0.000} | .188 ±0.010 | .187 ^{+0.000} / _{-0.001} | .188 ^{+0.002} / _{+0.000} | .375 ^{+0.002} / _{+0.000} | .187 ^{+0.000} / _{-0.001} | .373 ^{+0.000} / _{-0.001} | .375 ^{+0.002} / _{+0.000} | 2.18 |
| HRU09-0.25-09 | 1/4 | 7/16 | 3/32 | .125 ^{+0.015} / _{+0.000} | .188 ±0.010 | .250 ^{+0.000} / _{-0.001} | .251 ^{+0.002} / _{+0.000} | .438 ^{+0.002} / _{+0.000} | .250 ^{+0.000} / _{-0.001} | .435 ^{+0.000} / _{-0.001} | .438 ^{+0.002} / _{+0.000} | 2.18 |
| HRU09-0.31-09 | 5/16 | 1/2 | 3/32 | .125 ^{+0.015} / _{+0.000} | .188 ±0.010 | .312 ^{+0.000} / _{-0.001} | .313 ^{+0.002} / _{+0.000} | .500 ^{+0.002} / _{+0.000} | .312 ^{+0.000} / _{-0.001} | .498 ^{+0.000} / _{-0.001} | .500 ^{+0.002} / _{+0.000} | 2.18 |
| HRU09-0.43-09 | 7/16 | 5/8 | 3/32 | .125 ^{+0.015} / _{+0.000} | .188 ±0.010 | .437 ^{+0.000} / _{-0.001} | .438 ^{+0.002} / _{+0.000} | .625 ^{+0.002} / _{+0.000} | .437 ^{+0.000} / _{-0.001} | .623 ^{+0.000} / _{-0.001} | .625 ^{+0.002} / _{+0.000} | 2.18 |
| HRU09-0.50-09 | 1/2 | 11/16 | 3/32 | .125 ^{+0.015} / _{+0.000} | .188 ±0.010 | .500 ^{+0.000} / _{-0.001} | .501 ^{+0.002} / _{+0.000} | .688 ^{+0.002} / _{+0.000} | .500 ^{+0.000} / _{-0.001} | .685 ^{+0.000} / _{-0.001} | .688 ^{+0.002} / _{+0.000} | 2.18 |
| HRU09-0.56-09 | 9/16 | 3/4 | 3/32 | .125 ^{+0.015} / _{+0.000} | .188 ±0.010 | .562 ^{+0.000} / _{-0.001} | .563 ^{+0.002} / _{+0.000} | .750 ^{+0.002} / _{+0.000} | .562 ^{+0.000} / _{-0.001} | .748 ^{+0.000} / _{-0.001} | .750 ^{+0.002} / _{+0.000} | 2.18 |
| HRU09-0.62-09 | 5/8 | 13/16 | 3/32 | .125 ^{+0.015} / _{+0.000} | .188 ±0.010 | .625 ^{+0.000} / _{-0.001} | .626 ^{+0.002} / _{+0.000} | .813 ^{+0.002} / _{+0.000} | .625 ^{+0.000} / _{-0.001} | .810 ^{+0.000} / _{-0.001} | .813 ^{+0.002} / _{+0.000} | 2.18 |
| HRU09-0.68-09 | 11/16 | 7/8 | 3/32 | .125 ^{+0.015} / _{+0.000} | .188 ±0.010 | .687 ^{+0.000} / _{-0.001} | .688 ^{+0.002} / _{+0.000} | .875 ^{+0.002} / _{+0.000} | .687 ^{+0.000} / _{-0.001} | .873 ^{+0.000} / _{-0.001} | .875 ^{+0.002} / _{+0.000} | 2.32 |
| HRU09-0.75-09 | 3/4 | 15/16 | 3/32 | .125 ^{+0.015} / _{+0.000} | .188 ±0.010 | .750 ^{+0.000} / _{-0.001} | .751 ^{+0.002} / _{+0.000} | .938 ^{+0.002} / _{+0.000} | .750 ^{+0.000} / _{-0.001} | .935 ^{+0.000} / _{-0.001} | .938 ^{+0.002} / _{+0.000} | 2.66 |
| 1/8" C/S | | | | | | | | | | | | |

NORTH AMERICA
 PHONE 1-800-777-5617
 FAX 1-800-759-6391

SALES OFFICE HOURS
 8 A.M. TO 7:30 P.M. EASTERN TIME
 www.HerculesUS.com

WORLDWIDE
 PHONE 1-727-796-1300
 FAX 1-727-797-8849

STYLE HRU HOMOGENEOUS U-SEALS

U-SEALS

| Part Number | A Nom. ID | B Nom. OD | C Nom. Ht | D GROOVE WIDTH | D ₁ GROOVE WIDTH WITH BACKUP | E ROD DIAMETER | F THROAT DIAMETER | G HOUSING DIAMETER | H GROOVE DIAMETER | I PISTON DIAMETER | J BORE DIAMETER | List Price |
|------------------|-----------|-----------|-----------|--------------------|---|---------------------|---------------------|---------------------|---------------------|---------------------|---------------------|------------|
| HRU12-0.18-12 | 3/16 | 7/16 | 1/8 | .156 +.015 / +.000 | .219 ±.010 | .187 +.000 / -.001 | .188 +.002 / +.000 | .438 +.002 / +.000 | .187 +.000 / -.002 | .435 +.000 / -.001 | .438 +.002 / +.000 | \$2.18 |
| HRU12-0.25-12 | 1/4 | 1/2 | 1/8 | .156 +.015 / +.000 | .219 ±.010 | .250 +.000 / -.001 | .251 +.002 / +.000 | .500 +.002 / +.000 | .250 +.000 / -.002 | .498 +.000 / -.001 | .500 +.002 / +.000 | 2.18 |
| HRU12-0.37-12 | 3/8 | 5/8 | 1/8 | .156 +.015 / +.000 | .219 ±.010 | .375 +.000 / -.001 | .376 +.002 / +.000 | .625 +.002 / +.000 | .375 +.000 / -.002 | .623 +.000 / -.001 | .625 +.002 / +.000 | 2.18 |
| HRU12-0.43-12 | 7/16 | 11/16 | 1/8 | .156 +.015 / +.000 | .219 ±.010 | .437 +.000 / -.001 | .438 +.002 / +.000 | .688 +.002 / +.000 | .437 +.000 / -.002 | .685 +.000 / -.001 | .688 +.002 / +.000 | 2.18 |
| HRU12-0.50-12 | 1/2 | 3/4 | 1/8 | .156 +.015 / +.000 | .219 ±.010 | .500 +.000 / -.001 | .501 +.002 / +.000 | .750 +.002 / +.000 | .500 +.000 / -.002 | .748 +.000 / -.001 | .750 +.002 / +.000 | 2.18 |
| HRU12-0.50-12V | 1/2 | 3/4 | 1/8 | .156 +.015 / +.000 | .219 ±.010 | .500 +.000 / -.001 | .501 +.002 / +.000 | .750 +.002 / +.000 | .500 +.000 / -.002 | .748 +.000 / -.001 | .750 +.002 / +.000 | 12.22 |
| HRU12-0.56-12 | 9/16 | 13/16 | 1/8 | .156 +.015 / +.000 | .219 ±.010 | .562 +.000 / -.001 | .563 +.002 / +.000 | .813 +.002 / +.000 | .562 +.000 / -.002 | .810 +.000 / -.001 | .813 +.002 / +.000 | 2.18 |
| HRU12-0.62-12 | 5/8 | 7/8 | 1/8 | .156 +.015 / +.000 | .219 ±.010 | .625 +.000 / -.001 | .626 +.002 / +.000 | .875 +.002 / +.000 | .625 +.000 / -.002 | .873 +.000 / -.001 | .875 +.002 / +.000 | 2.18 |
| HRU12-0.62-12V | 5/8 | 7/8 | 1/8 | .156 +.015 / +.000 | .219 ±.010 | .625 +.000 / -.001 | .626 +.002 / +.000 | .875 +.002 / +.000 | .625 +.000 / -.002 | .873 +.000 / -.001 | .875 +.002 / +.000 | 9.93 |
| HRU12-0.68-12 | 11/16 | 15/16 | 1/8 | .156 +.015 / +.000 | .219 ±.010 | .687 +.000 / -.001 | .688 +.002 / +.000 | .938 +.002 / +.000 | .687 +.000 / -.002 | .935 +.000 / -.001 | .938 +.002 / +.000 | 2.18 |
| HRU12-0.75-12 | 3/4 | 1 | 1/8 | .156 +.015 / +.000 | .219 ±.010 | .750 +.000 / -.001 | .751 +.002 / +.000 | 1.000 +.002 / +.000 | .750 +.000 / -.002 | .998 +.000 / -.001 | 1.000 +.002 / +.000 | 2.18 |
| HRU12-0.75-12V | 3/4 | 1 | 1/8 | .156 +.015 / +.000 | .219 ±.010 | .750 +.000 / -.001 | .751 +.002 / +.000 | 1.000 +.002 / +.000 | .750 +.000 / -.002 | .998 +.000 / -.001 | 1.000 +.002 / +.000 | 13.69 |
| HRU12-0.81-12 | 13/16 | 1-1/16 | 1/8 | .156 +.015 / +.000 | .219 ±.010 | .812 +.000 / -.001 | .813 +.002 / +.000 | 1.063 +.002 / +.000 | .812 +.000 / -.002 | 1.060 +.000 / -.001 | 1.063 +.002 / +.000 | 2.35 |
| HRU12-0.87-12 | 7/8 | 1-1/8 | 1/8 | .156 +.015 / +.000 | .219 ±.010 | .875 +.000 / -.001 | .876 +.002 / +.000 | 1.125 +.002 / +.000 | .875 +.000 / -.002 | 1.123 +.000 / -.001 | 1.125 +.002 / +.000 | 2.35 |
| HRU12-0.87-12V | 7/8 | 1-1/8 | 1/8 | .156 +.015 / +.000 | .219 ±.010 | .875 +.000 / -.001 | .876 +.002 / +.000 | 1.125 +.002 / +.000 | .875 +.000 / -.002 | 1.123 +.000 / -.001 | 1.125 +.002 / +.000 | 14.22 |
| HRU12-1.00-12 | 1 | 1-1/4 | 1/8 | .156 +.015 / +.000 | .219 ±.010 | 1.000 +.000 / -.001 | 1.001 +.002 / +.000 | 1.250 +.002 / +.000 | 1.000 +.000 / -.002 | 1.248 +.000 / -.001 | 1.250 +.002 / +.000 | 2.35 |
| HRU12-1.00-12V | 1 | 1-1/4 | 1/8 | .156 +.015 / +.000 | .219 ±.010 | 1.000 +.000 / -.001 | 1.001 +.002 / +.000 | 1.250 +.002 / +.000 | 1.000 +.000 / -.002 | 1.248 +.000 / -.001 | 1.250 +.002 / +.000 | 14.90 |
| HRU12-1.12-12 | 1-1/8 | 1-3/8 | 1/8 | .156 +.015 / +.000 | .219 ±.010 | 1.125 +.000 / -.001 | 1.126 +.002 / +.000 | 1.375 +.002 / +.000 | 1.125 +.000 / -.002 | 1.373 +.000 / -.001 | 1.375 +.002 / +.000 | 2.45 |
| HRU12-1.25-12 | 1-1/4 | 1-1/2 | 1/8 | .156 +.015 / +.000 | .219 ±.010 | 1.250 +.000 / -.001 | 1.251 +.002 / +.000 | 1.500 +.002 / +.000 | 1.250 +.000 / -.002 | 1.498 +.000 / -.001 | 1.500 +.002 / +.000 | 2.76 |
| HRU12-1.37-12 | 1-3/8 | 1-5/8 | 1/8 | .156 +.015 / +.000 | .219 ±.010 | 1.375 +.000 / -.001 | 1.376 +.002 / +.000 | 1.625 +.002 / +.000 | 1.375 +.000 / -.002 | 1.623 +.000 / -.001 | 1.625 +.002 / +.000 | 2.45 |
| HRU12-1.50-12 | 1-1/2 | 1-3/4 | 1/8 | .156 +.015 / +.000 | .219 ±.010 | 1.500 +.000 / -.001 | 1.501 +.002 / +.000 | 1.750 +.002 / +.000 | 1.500 +.000 / -.002 | 1.748 +.000 / -.001 | 1.750 +.002 / +.000 | 2.45 |
| HRU12-1.75-12 | 1-3/4 | 2 | 1/8 | .156 +.015 / +.000 | .219 ±.010 | 1.750 +.000 / -.001 | 1.751 +.002 / +.000 | 2.000 +.002 / +.000 | 1.750 +.000 / -.002 | 1.998 +.000 / -.002 | 2.000 +.002 / +.000 | 2.45 |
| HRU12-2.00-12 | 2 | 2-1/4 | 1/8 | .156 +.015 / +.000 | .219 ±.010 | 2.000 +.000 / -.001 | 2.001 +.002 / +.000 | 2.250 +.002 / +.000 | 2.000 +.000 / -.002 | 2.248 +.000 / -.002 | 2.250 +.002 / +.000 | 2.45 |
| 5/32" C/S | | | | | | | | | | | | |
| HRU15-0.50-15 | 1/2 | 13/16 | 5/32 | .188 +.015 / +.000 | .250 ±.010 | .500 +.000 / -.001 | .501 +.002 / +.000 | .813 +.002 / +.000 | .500 +.000 / -.002 | .810 +.000 / -.001 | .813 +.002 / +.000 | \$2.45 |
| HRU15-0.68-15 | 11/16 | 1 | 5/32 | .188 +.015 / +.000 | .250 ±.010 | .687 +.000 / -.001 | .688 +.002 / +.000 | 1.000 +.002 / +.000 | .687 +.000 / -.002 | .998 +.000 / -.001 | 1.000 +.002 / +.000 | 2.54 |
| HRU15-0.75-15 | 3/4 | 1-1/16 | 5/32 | .188 +.015 / +.000 | .250 ±.010 | .750 +.000 / -.001 | .751 +.002 / +.000 | 1.063 +.002 / +.000 | .750 +.000 / -.002 | 1.060 +.000 / -.001 | 1.063 +.002 / +.000 | 2.54 |
| HRU15-0.93-15 | 15/16 | 1-1/4 | 5/32 | .188 +.015 / +.000 | .250 ±.010 | .937 +.000 / -.001 | .938 +.002 / +.000 | 1.250 +.002 / +.000 | .937 +.000 / -.002 | 1.248 +.000 / -.001 | 1.250 +.002 / +.000 | 2.54 |
| HRU15-1.00-15 | 1 | 1-5/16 | 5/32 | .188 +.015 / +.000 | .250 ±.010 | 1.000 +.000 / -.001 | 1.001 +.002 / +.000 | 1.313 +.002 / +.000 | 1.000 +.000 / -.002 | 1.310 +.000 / -.001 | 1.313 +.002 / +.000 | 2.59 |
| HRU15-1.00-15V | 1 | 1-5/16 | 5/32 | .188 +.015 / +.000 | .250 ±.010 | 1.000 +.000 / -.001 | 1.001 +.002 / +.000 | 1.313 +.002 / +.000 | 1.000 +.000 / -.002 | 1.310 +.000 / -.001 | 1.313 +.002 / +.000 | 16.75 |
| HRU15-1.06-15 | 1-1/16 | 1-3/8 | 5/32 | .188 +.015 / +.000 | .250 ±.010 | 1.062 +.000 / -.001 | 1.063 +.002 / +.000 | 1.375 +.002 / +.000 | 1.062 +.000 / -.002 | 1.373 +.000 / -.001 | 1.375 +.002 / +.000 | 2.62 |
| HRU15-1.18-15 | 1-3/16 | 1-1/2 | 5/32 | .188 +.015 / +.000 | .250 ±.010 | 1.187 +.000 / -.001 | 1.188 +.002 / +.000 | 1.500 +.002 / +.000 | 1.187 +.000 / -.002 | 1.498 +.000 / -.001 | 1.500 +.002 / +.000 | 2.71 |

FORMERLY LISTED SEALS ARE AVAILABLE ONLINE AT WWW.HERCULESUS.COM
OR BY CONTACTING YOUR REGIONAL HERCULES SALES TEAM.



STYLE HRU HOMOGENEOUS U-SEALS

U-SEALS

| Part Number | A Nom. ID | B Nom. OD | C Nom. Ht | D GROOVE WIDTH | D ₁ GROOVE WIDTH WITH BACKUP | E ROD DIAMETER | F THROAT DIAMETER | G HOUSING DIAMETER | H GROOVE DIAMETER | I PISTON DIAMETER | J BORE DIAMETER | List Price |
|------------------|-----------------|-----------------|-----------------|----------------------|---|----------------------|-------------------------|--------------------------|-------------------------|-------------------------|-----------------------|---------------|
| HRU15-1.18-15V | 1-3/16 | 1-1/2 | 5/32 | .188 +.015 +0.000 | .250 ±0.10 | 1.187 +.000 -.001 | 1.188 +.002 +0.000 | 1.500 +.002 +0.000 | 1.187 +.000 -.002 | 1.498 +.000 -.001 | 1.500 +.002 +0.000 | 17.58 |
| HRU15-1.25-15 | 1-1/4 | 1-9/16 | 5/32 | .188 +.015 +0.000 | .250 ±0.10 | 1.250 +.000 -.001 | 1.251 +.002 +0.000 | 1.563 +.002 +0.000 | 1.250 +.000 -.002 | 1.560 +.000 -.001 | 1.563 +.002 +0.000 | 2.89 |
| HRU15-1.31-15 | 1-5/16 | 1-5/8 | 5/32 | .188 +.015 +0.000 | .250 ±0.10 | 1.312 +.000 -.001 | 1.313 +.002 +0.000 | 1.625 +.002 +0.000 | 1.312 +.000 -.002 | 1.623 +.000 -.001 | 1.625 +.002 +0.000 | 3.16 |
| HRU15-1.37-15 | 1-3/8 | 1-11/16 | 5/32 | .188 +.015 +0.000 | .250 ±0.10 | 1.375 +.000 -.001 | 1.376 +.002 +0.000 | 1.688 +.002 +0.000 | 1.375 +.000 -.002 | 1.685 +.000 -.001 | 1.688 +.002 +0.000 | 3.07 |
| HRU15-1.37-15V | 1-3/8 | 1-11/16 | 5/32 | .188 +.015 +0.000 | .250 ±0.10 | 1.375 +.000 -.001 | 1.376 +.002 +0.000 | 1.688 +.002 +0.000 | 1.375 +.000 -.002 | 1.685 +.000 -.001 | 1.688 +.002 +0.000 | 19.25 |
| HRU15-1.43-15 | 1-7/16 | 1-3/4 | 5/32 | .188 +.015 +0.000 | .250 ±0.10 | 1.437 +.000 -.001 | 1.438 +.002 +0.000 | 1.750 +.002 +0.000 | 1.437 +.000 -.002 | 1.748 +.000 -.001 | 1.750 +.002 +0.000 | 3.07 |
| HRU15-1.50-15 | 1-1/2 | 1-13/16 | 5/32 | .188 +.015 +0.000 | .250 ±0.10 | 1.500 +.000 -.001 | 1.501 +.002 +0.000 | 1.813 +.002 +0.000 | 1.500 +.000 -.002 | 1.810 +.000 -.001 | 1.813 +.002 +0.000 | 3.15 |
| 3/16" C/S | | | | | | | | | | | | |
| HRU18-0.62-18 | 5/8 | 1 | 3/16 | .218 +.015 +0.000 | .281 ±0.10 | .625 +.000 -.002 | .626 +.002 +0.000 | 1.000 +.002 +0.000 | .625 +.000 -.002 | .998 +.000 -.001 | 1.000 +.002 +0.000 | \$2.52 |
| HRU18-0.75-18 | 3/4 | 1-1/8 | 3/16 | .218 +.015 +0.000 | .281 ±0.10 | .750 +.000 -.002 | .751 +.002 +0.000 | 1.125 +.002 +0.000 | .750 +.000 -.002 | 1.123 +.000 -.001 | 1.125 +.002 +0.000 | 2.52 |
| HRU18-1.00-18 | 1 | 1-3/8 | 3/16 | .218 +.015 +0.000 | .281 ±0.10 | 1.000 +.000 -.002 | 1.001 +.002 +0.000 | 1.375 +.002 +0.000 | 1.000 +.000 -.002 | 1.373 +.000 -.001 | 1.375 +.002 +0.000 | 2.63 |
| HRU18-1.25-18 | 1-1/4 | 1-5/8 | 3/16 | .218 +.015 +0.000 | .281 ±0.10 | 1.250 +.000 -.002 | 1.251 +.002 +0.000 | 1.625 +.002 +0.000 | 1.250 +.000 -.002 | 1.623 +.000 -.001 | 1.625 +.002 +0.000 | 2.63 |
| HRU18-1.37-18 | 1-3/8 | 1-3/4 | 3/16 | .218 +.015 +0.000 | .281 ±0.10 | 1.375 +.000 -.002 | 1.376 +.002 +0.000 | 1.750 +.002 +0.000 | 1.375 +.000 -.002 | 1.748 +.000 -.001 | 1.750 +.002 +0.000 | 2.92 |
| HRU18-1.37-18V | 1-3/8 | 1-3/4 | 3/16 | .218 +.015 +0.000 | .281 ±0.10 | 1.375 +.000 -.002 | 1.376 +.002 +0.000 | 1.750 +.002 +0.000 | 1.375 +.000 -.002 | 1.748 +.000 -.001 | 1.750 +.002 +0.000 | 26.15 |
| HRU18-1.50-18 | 1-1/2 | 1-7/8 | 3/16 | .218 +.015 +0.000 | .281 ±0.10 | 1.500 +.000 -.002 | 1.501 +.002 +0.000 | 1.875 +.002 +0.000 | 1.500 +.000 -.002 | 1.873 +.000 -.002 | 1.875 +.002 +0.000 | 2.92 |
| HRU18-1.62-18 | 1-5/8 | 2 | 3/16 | .218 +.015 +0.000 | .281 ±0.10 | 1.625 +.000 -.002 | 1.626 +.002 +0.000 | 2.000 +.002 +0.000 | 1.625 +.000 -.002 | 1.998 +.000 -.002 | 2.000 +.002 +0.000 | 3.07 |
| HRU18-1.62-18V | 1-5/8 | 2 | 3/16 | .218 +.015 +0.000 | .281 ±0.10 | 1.625 +.000 -.002 | 1.626 +.002 +0.000 | 2.000 +.002 +0.000 | 1.625 +.000 -.002 | 1.998 +.000 -.002 | 2.000 +.002 +0.000 | 20.57 |
| HRU18-1.75-18 | 1-3/4 | 2-1/8 | 3/16 | .218 +.015 +0.000 | .281 ±0.10 | 1.750 +.000 -.002 | 1.751 +.002 +0.000 | 2.125 +.002 +0.000 | 1.750 +.000 -.002 | 2.123 +.000 -.002 | 2.125 +.002 +0.000 | 3.07 |
| HRU18-1.75-18V | 1-3/4 | 2-1/8 | 3/16 | .218 +.015 +0.000 | .281 ±0.10 | 1.750 +.000 -.002 | 1.751 +.002 +0.000 | 2.125 +.002 +0.000 | 1.750 +.000 -.002 | 2.123 +.000 -.002 | 2.125 +.002 +0.000 | 21.45 |
| HRU18-1.87-18 | 1-7/8 | 2-1/4 | 3/16 | .218 +.015 +0.000 | .281 ±0.10 | 1.875 +.000 -.002 | 1.876 +.002 +0.000 | 2.250 +.002 +0.000 | 1.875 +.000 -.002 | 2.248 +.000 -.002 | 2.250 +.002 +0.000 | 3.07 |
| HRU18-2.00-18 | 2 | 2-3/8 | 3/16 | .218 +.015 +0.000 | .281 ±0.10 | 2.000 +.000 -.002 | 2.001 +.002 +0.000 | 2.375 +.002 +0.000 | 2.000 +.000 -.002 | 2.373 +.000 -.002 | 2.375 +.002 +0.000 | 3.30 |
| HRU18-2.00-18V | 2 | 2-3/8 | 3/16 | .218 +.015 +0.000 | .281 ±0.10 | 2.000 +.000 -.002 | 2.001 +.002 +0.000 | 2.375 +.002 +0.000 | 2.000 +.000 -.002 | 2.373 +.000 -.002 | 2.375 +.002 +0.000 | 21.98 |
| HRU18-2.12-18 | 2-1/8 | 2-1/2 | 3/16 | .218 +.015 +0.000 | .281 ±0.10 | 2.125 +.000 -.002 | 2.126 +.002 +0.000 | 2.500 +.002 +0.000 | 2.125 +.000 -.002 | 2.498 +.000 -.002 | 2.500 +.002 +0.000 | 3.30 |
| HRU18-2.12-18V | 2-1/8 | 2-1/2 | 3/16 | .218 +.015 +0.000 | .281 ±0.10 | 2.125 +.000 -.002 | 2.126 +.002 +0.000 | 2.500 +.002 +0.000 | 2.125 +.000 -.002 | 2.498 +.000 -.002 | 2.500 +.002 +0.000 | 21.98 |
| HRU18-2.25-18 | 2-1/4 | 2-5/8 | 3/16 | .218 +.015 +0.000 | .281 ±0.10 | 2.250 +.000 -.002 | 2.251 +.002 +0.000 | 2.625 +.002 +0.000 | 2.250 +.000 -.002 | 2.624 +.000 -.002 | 2.625 +.002 +0.000 | 4.28 |
| HRU18-2.37-18 | 2-3/8 | 2-3/4 | 3/16 | .218 +.015 +0.000 | .281 ±0.10 | 2.375 +.000 -.002 | 2.376 +.002 +0.000 | 2.750 +.002 +0.000 | 2.375 +.000 -.002 | 2.748 +.000 -.002 | 2.750 +.002 +0.000 | 3.30 |
| HRU18-2.50-18 | 2-1/2 | 2-7/8 | 3/16 | .218 +.015 +0.000 | .281 ±0.10 | 2.500 +.000 -.002 | 2.501 +.002 +0.000 | 2.875 +.002 +0.000 | 2.500 +.000 -.002 | 2.874 +.000 -.002 | 2.875 +.002 +0.000 | 4.68 |
| HRU18-2.62-18 | 2-5/8 | 3 | 3/16 | .218 +.015 +0.000 | .281 ±0.10 | 2.625 +.000 -.002 | 2.626 +.003 +0.000 | 3.000 +.002 +0.000 | 2.625 +.000 -.002 | 2.998 +.000 -.002 | 3.000 +.002 +0.000 | 4.14 |
| HRU18-2.87-18 | 2-7/8 | 3-1/4 | 3/16 | .218 +.015 +0.000 | .281 ±0.10 | 2.875 +.000 -.002 | 2.876 +.003 +0.000 | 3.250 +.002 +0.000 | 2.875 +.000 -.002 | 3.248 +.000 -.002 | 3.250 +.002 +0.000 | 4.38 |
| HRU18-3.00-18 | 3 | 3-3/8 | 3/16 | .218 +.015 +0.000 | .281 ±0.10 | 3.000 +.000 -.002 | 3.001 +.003 +0.000 | 3.375 +.002 +0.000 | 3.000 +.000 -.002 | 3.373 +.000 -.002 | 3.375 +.002 +0.000 | 2.75 |
| HRU18-3.25-18 | 3-1/4 | 3-5/8 | 3/16 | .218 +.015 +0.000 | .281 ±0.10 | 3.250 +.000 -.002 | 3.251 +.003 +0.000 | 3.625 +.002 +0.000 | 3.250 +.000 -.002 | 3.623 +.000 -.002 | 3.625 +.002 +0.000 | 7.60 |
| HRU18-3.37-18 | 3-3/8 | 3-3/4 | 3/16 | .218 +.015 +0.000 | .281 ±0.10 | 3.375 +.000 -.002 | 3.376 +.003 +0.000 | 3.750 +.002 +0.000 | 3.375 +.000 -.002 | 3.748 +.000 -.002 | 3.750 +.002 +0.000 | 7.74 |

NORTH AMERICA
PHONE 1-800-777-5617
FAX 1-800-759-6391

SALES OFFICE HOURS
8 A.M. TO 7:30 P.M. EASTERN TIME
www.HerculesUS.com

WORLDWIDE
PHONE 1-727-796-1300
FAX 1-727-797-8849

STYLE HRU HOMOGENEOUS U-SEALS

| Part Number | A Nom. ID | B Nom. OD | C Nom. Ht | D GROOVE WIDTH | D ₁ GROOVE WIDTH WITH BACKUP | E ROD DIAMETER | F THROAT DIAMETER | G HOUSING DIAMETER | H GROOVE DIAMETER | I PISTON DIAMETER | J BORE DIAMETER | List Price |
|-------------------|-----------|-----------|-----------|---------------------|---|----------------------|----------------------|----------------------|----------------------|----------------------|----------------------|------------|
| 7/32" C/S | | | | | | | | | | | | |
| HRU21-2.50-21 | 2-1/2 | 2-15/16 | 7/32 | .250 +.015 +.000 | .312 ±.010 | 2.500 +.000 -.002 | 2.501 +.002 +.000 | 2.938 +.002 +.000 | 2.500 +.000 -.002 | 2.935 +.000 -.002 | 2.938 +.002 +.000 | \$4.55 |
| HRU21-2.50-21V | 2-1/2 | 2-15/16 | 7/32 | .250 +.015 +.000 | .312 ±.010 | 2.500 +.000 -.002 | 2.501 +.002 +.000 | 2.938 +.002 +.000 | 2.500 +.000 -.002 | 2.935 +.000 -.002 | 2.938 +.002 +.000 | 24.18 |
| HRU21-2.56-21 | 2-9/16 | 3 | 7/32 | .250 +.015 +.000 | .312 ±.010 | 2.562 +.000 -.002 | 2.563 +.003 +.000 | 3.000 +.002 +.000 | 2.562 +.000 -.002 | 2.998 +.000 -.002 | 3.000 +.002 +.000 | 4.78 |
| HRU21-2.75-21 | 2-3/4 | 3-3/16 | 7/32 | .250 +.015 +.000 | .312 ±.010 | 2.750 +.000 -.002 | 2.751 +.003 +.000 | 3.188 +.002 +.000 | 2.750 +.000 -.002 | 3.185 +.000 -.002 | 3.188 +.002 +.000 | 5.27 |
| HRU21-2.81-21 | 2-13/16 | 3-1/4 | 7/32 | .250 +.015 +.000 | .312 ±.010 | 2.812 +.000 -.002 | 2.813 +.003 +.000 | 3.250 +.002 +.000 | 2.812 +.000 -.002 | 3.248 +.000 -.002 | 3.250 +.002 +.000 | 5.53 |
| HRU21-2.81-21V | 2-13/16 | 3-1/4 | 7/32 | .250 +.015 +.000 | .312 ±.010 | 2.812 +.000 -.002 | 2.813 +.003 +.000 | 3.250 +.002 +.000 | 2.812 +.000 -.002 | 3.248 +.000 -.002 | 3.250 +.002 +.000 | 25.14 |
| HRU21-3.00-21 | 3 | 3-7/16 | 7/32 | .250 +.015 +.000 | .312 ±.010 | 3.000 +.000 -.002 | 3.001 +.003 +.000 | 3.438 +.002 +.000 | 3.000 +.000 -.002 | 3.435 +.000 -.002 | 3.438 +.002 +.000 | 6.76 |
| HRU21-3.00-21V | 3 | 3-7/16 | 7/32 | .250 +.015 +.000 | .312 ±.010 | 3.000 +.000 -.002 | 3.001 +.003 +.000 | 3.438 +.002 +.000 | 3.000 +.000 -.002 | 3.435 +.000 -.002 | 3.438 +.002 +.000 | 27.04 |
| HRU21-3.06-21 | 3-1/16 | 3-1/2 | 7/32 | .250 +.015 +.000 | .312 ±.010 | 3.062 +.000 -.002 | 3.063 +.003 +.000 | 3.500 +.002 +.000 | 3.062 +.000 -.002 | 3.498 +.000 -.002 | 3.500 +.002 +.000 | 7.74 |
| HRU21-3.31-21 | 3-5/16 | 3-3/4 | 7/32 | .250 +.015 +.000 | .312 ±.010 | 3.312 +.000 -.002 | 3.313 +.003 +.000 | 3.750 +.002 +.000 | 3.312 +.000 -.002 | 3.748 +.000 -.002 | 3.750 +.002 +.000 | 8.52 |
| 1/4" C/S | | | | | | | | | | | | |
| HRU25-1.37-25 | 1-3/8 | 1-7/8 | 1/4 | .281 +.015 +.000 | .344 ±.010 | 1.375 +.000 -.002 | 1.376 +.002 +.000 | 1.875 +.003 +.000 | 1.375 +.000 -.003 | 1.873 +.000 -.002 | 1.875 +.003 +.000 | \$4.56 |
| HRU25-1.75-25 | 1-3/4 | 2-1/4 | 1/4 | .281 +.015 +.000 | .344 ±.010 | 1.750 +.000 -.002 | 1.751 +.002 +.000 | 2.250 +.003 +.000 | 1.750 +.000 -.003 | 2.248 +.000 -.002 | 2.250 +.003 +.000 | 4.78 |
| HRU25-2.00-25 | 2 | 2-1/2 | 1/4 | .281 +.015 +.000 | .344 ±.010 | 2.000 +.000 -.002 | 2.001 +.002 +.000 | 2.500 +.003 +.000 | 2.000 +.000 -.003 | 2.498 +.000 -.002 | 2.500 +.003 +.000 | 5.27 |
| HRU25-2.50-25 | 2-1/2 | 3 | 1/4 | .281 +.015 +.000 | .344 ±.010 | 2.500 +.000 -.002 | 2.501 +.002 +.000 | 3.000 +.003 +.000 | 2.500 +.000 -.003 | 2.998 +.000 -.002 | 3.000 +.003 +.000 | 5.55 |
| HRU25-2.75-25 | 2-3/4 | 3-1/4 | 1/4 | .281 +.015 +.000 | .344 ±.010 | 2.750 +.000 -.002 | 2.751 +.003 +.000 | 3.250 +.003 +.000 | 2.750 +.000 -.003 | 3.248 +.000 -.002 | 3.250 +.003 +.000 | 5.84 |
| HRU25-2.75-25V | 2-3/4 | 3-1/4 | 1/4 | .281 +.015 +.000 | .344 ±.010 | 2.750 +.000 -.002 | 2.751 +.003 +.000 | 3.250 +.003 +.000 | 2.750 +.000 -.003 | 3.248 +.000 -.002 | 3.250 +.003 +.000 | 28.92 |
| HRU25-3.50-25 | 3-1/2 | 4 | 1/4 | .281 +.015 +.000 | .344 ±.010 | 3.500 +.000 -.002 | 3.501 +.003 +.000 | 4.000 +.003 +.000 | 3.500 +.000 -.003 | 3.998 +.000 -.002 | 4.000 +.003 +.000 | 5.78 |
| HRU25-3.50-25V | 3-1/2 | 4 | 1/4 | .281 +.015 +.000 | .344 ±.010 | 3.500 +.000 -.002 | 3.501 +.003 +.000 | 4.000 +.003 +.000 | 3.500 +.000 -.003 | 3.998 +.000 -.002 | 4.000 +.003 +.000 | 27.57 |
| HRU25-3.75-25 | 3-3/4 | 4-1/4 | 1/4 | .281 +.015 +.000 | .344 ±.010 | 3.750 +.000 -.002 | 3.751 +.003 +.000 | 4.250 +.003 +.000 | 3.750 +.000 -.003 | 4.248 +.000 -.002 | 4.250 +.003 +.000 | 6.08 |
| HRU25-4.00-25 | 4 | 4-1/2 | 1/4 | .281 +.015 +.000 | .344 ±.010 | 4.000 +.000 -.002 | 4.001 +.003 +.000 | 4.500 +.003 +.000 | 4.000 +.000 -.003 | 4.498 +.000 -.002 | 4.500 +.003 +.000 | 6.26 |
| HRU25-4.00-25-90D | 4 | 4-1/2 | 1/4 | .281 +.015 +.000 | .344 ±.010 | 4.000 +.000 -.002 | 4.001 +.003 +.000 | 4.500 +.003 +.000 | 4.000 +.000 -.003 | 4.498 +.000 -.002 | 4.500 +.003 +.000 | 6.26 |
| HRU25-4.00-25V | 4 | 4-1/2 | 1/4 | .281 +.015 +.000 | .344 ±.010 | 4.000 +.000 -.002 | 4.001 +.003 +.000 | 4.500 +.003 +.000 | 4.000 +.000 -.003 | 4.498 +.000 -.002 | 4.500 +.003 +.000 | 34.55 |
| HRU25-4.50-25 | 4-1/2 | 5 | 1/4 | .281 +.015 +.000 | .344 ±.010 | 4.500 +.000 -.002 | 4.501 +.003 +.000 | 5.000 +.003 +.000 | 4.500 +.000 -.003 | 4.998 +.000 -.002 | 5.000 +.003 +.000 | 6.90 |
| HRU25-4.50-25V | 4-1/2 | 5 | 1/4 | .281 +.015 +.000 | .344 ±.010 | 4.500 +.000 -.002 | 4.501 +.003 +.000 | 5.000 +.003 +.000 | 4.500 +.000 -.003 | 4.998 +.000 -.002 | 5.000 +.003 +.000 | 38.93 |
| HRU25-4.75-25 | 4-3/4 | 5-1/4 | 1/4 | .281 +.015 +.000 | .344 ±.010 | 4.750 +.000 -.002 | 4.751 +.003 +.000 | 5.250 +.003 +.000 | 4.750 +.000 -.003 | 5.248 +.000 -.002 | 5.250 +.003 +.000 | 12.28 |
| HRU25-5.50-25 | 5-1/2 | 6 | 1/4 | .281 +.015 +.000 | .344 ±.010 | 5.500 +.000 -.002 | 5.501 +.003 +.000 | 6.000 +.003 +.000 | 5.500 +.000 -.003 | 5.998 +.000 -.003 | 6.000 +.003 +.000 | 13.17 |
| HRU25-5.50-25V | 5-1/2 | 6 | 1/4 | .281 +.015 +.000 | .344 ±.010 | 5.500 +.000 -.002 | 5.501 +.003 +.000 | 6.000 +.003 +.000 | 5.500 +.000 -.003 | 5.998 +.000 -.003 | 6.000 +.003 +.000 | 89.52 |
| HRU25-5.50-37 | 5-1/2 | 6 | 3/8 | .406 +.015 +.000 | .469 ±.010 | 5.500 +.000 -.002 | 5.501 +.003 +.000 | 6.000 +.003 +.000 | 5.500 +.000 -.003 | 5.998 +.000 -.003 | 6.000 +.003 +.000 | 13.17 |
| 9/32" C/S | | | | | | | | | | | | |
| HRU28-4.43-28 | 4-7/16 | 5 | 9/32 | .312 +.015 +.000 | .375 ±.010 | 4.437 +.000 -.002 | 4.438 +.003 +.000 | 5.000 +.003 +.000 | 4.437 +.000 -.003 | 4.998 +.000 -.002 | 5.000 +.003 +.000 | \$12.46 |

U-SEALS



STYLE HRU HOMOGENEOUS U-SEALS

U-SEALS

| Part Number | A Nom. ID | B Nom. OD | C Nom. Ht | D GROOVE WIDTH | D ₁ GROOVE WIDTH WITH BACKUP | E ROD DIAMETER | F THROAT DIAMETER | G HOUSING DIAMETER | H GROOVE DIAMETER | I PISTON DIAMETER | J BORE DIAMETER | List Price |
|-------------------|-----------------|-----------------|-----------------|--------------------------|---|----------------------------|----------------------------|----------------------------|----------------------------|----------------------------|----------------------------|---------------|
| HRU28-4.43-28V | 4-7/16 | 5 | 9/32 | .312 +0.015 +0.000 | .375 ±0.010 | 4.437 +0.000 -0.002 | 4.438 +0.003 +0.000 | 5.000 +0.003 +0.000 | 4.437 +0.000 -0.003 | 4.998 +0.000 -0.002 | 5.000 +0.003 +0.000 | 40.29 |
| HRU28-4.56-28 | 4-9/16 | 5-1/8 | 9/32 | .312 +0.015 +0.000 | .375 ±0.010 | 4.562 +0.000 -0.002 | 4.563 +0.003 +0.000 | 5.125 +0.003 +0.000 | 4.562 +0.000 -0.003 | 5.123 +0.000 -0.002 | 5.125 +0.003 +0.000 | 29.15 |
| HRU28-5.00-28 | 5 | 5-9/16 | 9/32 | .312 +0.015 +0.000 | .375 ±0.010 | 5.000 +0.000 -0.002 | 5.001 +0.003 +0.000 | 5.563 +0.003 +0.000 | 5.000 +0.000 -0.003 | 5.560 +0.000 -0.003 | 5.563 +0.003 +0.000 | 24.14 |
| HRU28-5.00-28V | 5 | 5-9/16 | 9/32 | .312 +0.015 +0.000 | .375 ±0.010 | 5.000 +0.000 -0.002 | 5.001 +0.003 +0.000 | 5.563 +0.003 +0.000 | 5.000 +0.000 -0.003 | 5.560 +0.000 -0.003 | 5.563 +0.003 +0.000 | 44.68 |
| HRU28-5.43-28 | 5-7/16 | 6 | 9/32 | .312 +0.015 +0.000 | .375 ±0.010 | 5.437 +0.000 -0.002 | 5.438 +0.003 +0.000 | 6.000 +0.003 +0.000 | 5.437 +0.000 -0.003 | 5.998 +0.000 -0.003 | 6.000 +0.003 +0.000 | 14.29 |
| HRU28-5.43-28V | 5-7/16 | 6 | 9/32 | .312 +0.015 +0.000 | .375 ±0.010 | 5.437 +0.000 -0.002 | 5.438 +0.003 +0.000 | 6.000 +0.003 +0.000 | 5.437 +0.000 -0.003 | 5.998 +0.000 -0.003 | 6.000 +0.003 +0.000 | 48.96 |
| HRU28-6.43-28 | 6-7/16 | 7 | 9/32 | .312 +0.015 +0.000 | .375 ±0.010 | 6.437 +0.000 -0.002 | 6.438 +0.003 +0.000 | 7.000 +0.003 +0.000 | 6.437 +0.000 -0.003 | 6.998 +0.000 -0.003 | 7.000 +0.003 +0.000 | 9.64 |
| 5/16" C/S | | | | | | | | | | | | |
| HRU31-2.87-31 | 2-7/8 | 3-1/2 | 5/16 | .344 +0.015 +0.000 | .406 ±0.010 | 2.875 +0.000 -0.002 | 2.876 +0.003 +0.000 | 3.500 +0.004 +0.000 | 2.875 +0.000 -0.004 | 3.498 +0.000 -0.002 | 3.500 +0.003 +0.000 | \$9.46 |
| HRU31-4.37-31 | 4-3/8 | 5 | 5/16 | .344 +0.015 +0.000 | .406 ±0.010 | 4.375 +0.000 -0.002 | 4.376 +0.003 +0.000 | 5.000 +0.004 +0.000 | 4.375 +0.000 -0.004 | 4.998 +0.000 -0.002 | 5.000 +0.003 +0.000 | 8.65 |
| HRU31-5.37-31 | 5-3/8 | 6 | 5/16 | .344 +0.015 +0.000 | .406 ±0.010 | 5.375 +0.000 -0.002 | 5.376 +0.003 +0.000 | 6.000 +0.004 +0.000 | 5.375 +0.000 -0.004 | 5.998 +0.000 -0.003 | 6.000 +0.003 +0.000 | 12.97 |
| HRU31-5.37-31V | 5-3/8 | 6 | 5/16 | .344 +0.015 +0.000 | .406 ±0.010 | 5.375 +0.000 -0.002 | 5.376 +0.003 +0.000 | 6.000 +0.004 +0.000 | 5.375 +0.000 -0.004 | 5.998 +0.000 -0.003 | 6.000 +0.003 +0.000 | 56.18 |
| HRU31-5.50-31 | 5-1/2 | 6-1/8 | 5/16 | .344 +0.015 +0.000 | .406 ±0.010 | 5.500 +0.000 -0.002 | 5.501 +0.003 +0.000 | 6.125 +0.004 +0.000 | 5.500 +0.000 -0.004 | 6.123 +0.000 -0.003 | 6.125 +0.003 +0.000 | 17.04 |
| HRU31-5.50-31V | 5-1/2 | 6-1/8 | 5/16 | .344 +0.015 +0.000 | .406 ±0.010 | 5.500 +0.000 -0.002 | 5.501 +0.003 +0.000 | 6.125 +0.004 +0.000 | 5.500 +0.000 -0.004 | 6.123 +0.000 -0.003 | 6.125 +0.003 +0.000 | 73.82 |
| HRU31-6.37-31 | 6-3/8 | 7 | 5/16 | .344 +0.015 +0.000 | .406 ±0.010 | 6.375 +0.000 -0.002 | 6.376 +0.003 +0.000 | 7.000 +0.004 +0.000 | 6.375 +0.000 -0.004 | 6.998 +0.000 -0.003 | 7.000 +0.003 +0.000 | 20.51 |
| HRU31-6.37-31V | 6-3/8 | 7 | 5/16 | .344 +0.015 +0.000 | .406 ±0.010 | 6.375 +0.000 -0.002 | 6.376 +0.003 +0.000 | 7.000 +0.004 +0.000 | 6.375 +0.000 -0.004 | 6.998 +0.000 -0.003 | 7.000 +0.003 +0.000 | 77.86 |
| HRU31-7.37-31 | 7-3/8 | 8 | 5/16 | .344 +0.015 +0.000 | .406 ±0.010 | 7.375 +0.000 -0.002 | 7.376 +0.003 +0.000 | 8.000 +0.004 +0.000 | 7.375 +0.000 -0.004 | 7.998 +0.000 -0.004 | 8.000 +0.003 +0.000 | 25.40 |
| HRU31-7.37-31V | 7-3/8 | 8 | 5/16 | .344 +0.015 +0.000 | .406 ±0.010 | 7.375 +0.000 -0.002 | 7.376 +0.003 +0.000 | 8.000 +0.004 +0.000 | 7.375 +0.000 -0.004 | 7.998 +0.000 -0.004 | 8.000 +0.003 +0.000 | 119.36 |
| 11/32" C/S | | | | | | | | | | | | |
| HRU34-9.31-34 | 9-5/16 | 10 | 11/32 | .375 +0.015 +0.000 | .438 ±0.010 | 9.312 +0.000 -0.002 | 9.314 +0.004 +0.000 | 10.000 +0.004 +0.000 | 9.312 +0.000 -0.004 | 9.998 +0.000 -0.004 | 10.000 +0.003 +0.000 | \$34.84 |
| HRU34-9.31-34V | 9-5/16 | 10 | 11/32 | .375 +0.015 +0.000 | .438 ±0.010 | 9.312 +0.000 -0.002 | 9.314 +0.004 +0.000 | 10.000 +0.004 +0.000 | 9.312 +0.000 -0.004 | 9.998 +0.000 -0.004 | 10.000 +0.003 +0.000 | 151.53 |
| 3/8" C/S | | | | | | | | | | | | |
| HRU37-2.50-37 | 2-1/2 | 3-1/4 | 3/8 | .406 +0.015 +0.000 | .469 ±0.010 | 2.500 +0.000 -0.002 | 2.501 +0.002 +0.000 | 3.250 +0.005 +0.000 | 2.500 +0.000 -0.005 | 3.248 +0.000 -0.002 | 3.250 +0.004 +0.000 | \$6.22 |
| HRU37-2.75-37 | 2-3/4 | 3-1/2 | 3/8 | .406 +0.015 +0.000 | .469 ±0.010 | 2.750 +0.000 -0.002 | 2.751 +0.003 +0.000 | 3.500 +0.005 +0.000 | 2.750 +0.000 -0.005 | 3.498 +0.000 -0.002 | 3.500 +0.004 +0.000 | 6.51 |
| HRU37-9.25-37 | 9-1/4 | 10 | 3/8 | .406 +0.015 +0.000 | .469 ±0.010 | 9.250 +0.000 -0.002 | 9.252 +0.004 +0.000 | 10.000 +0.005 +0.000 | 9.250 +0.000 -0.005 | 9.998 +0.000 -0.004 | 10.000 +0.004 +0.000 | 35.46 |
| HRU37-11.25-37 | 11-1/4 | 12 | 3/8 | .406 +0.015 +0.000 | .469 ±0.010 | 11.250 +0.000 -0.002 | 11.252 +0.004 +0.000 | 12.000 +0.005 +0.000 | 11.250 +0.000 -0.005 | 11.998 +0.000 -0.004 | 12.000 +0.004 +0.000 | 60.22 |
| 13/32" C/S | | | | | | | | | | | | |
| HRU40-13.18-40 | 13-3/16 | 14 | 13/32 | .438 +0.015 +0.000 | .500 ±0.010 | 13.187 +0.000 -0.002 | 13.189 +0.004 +0.000 | 14.000 +0.005 +0.000 | 13.187 +0.000 -0.005 | 13.998 +0.000 -0.004 | 14.000 +0.004 +0.000 | \$44.97 |
| 1/2" C/S | | | | | | | | | | | | |
| HRU50-9.00-50 | 9 | 10 | 1/2 | .531 +0.015 +0.000 | .594 ±0.010 | 9.000 +0.000 -0.003 | 9.002 +0.004 +0.000 | 10.000 +0.007 +0.000 | 9.000 +0.000 -0.007 | 9.998 +0.000 -0.004 | 10.000 +0.005 +0.000 | \$58.09 |
| HRU50-11.00-50 | 11 | 12 | 1/2 | .531 +0.015 +0.000 | .594 ±0.010 | 11.000 +0.000 -0.003 | 11.002 +0.004 +0.000 | 12.000 +0.007 +0.000 | 11.000 +0.000 -0.007 | 11.998 +0.000 -0.004 | 12.000 +0.005 +0.000 | 75.94 |

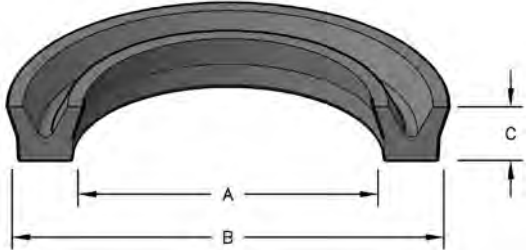
NORTH AMERICA
PHONE 1-800-777-5617
FAX 1-800-759-6391

SALES OFFICE HOURS
8 A.M. TO 7:30 P.M. EASTERN TIME
www.HerculesUS.com

WORLDWIDE
PHONE 1-727-796-1300
FAX 1-727-797-8849

STYLE HSU HOMOGENEOUS U-SEALS

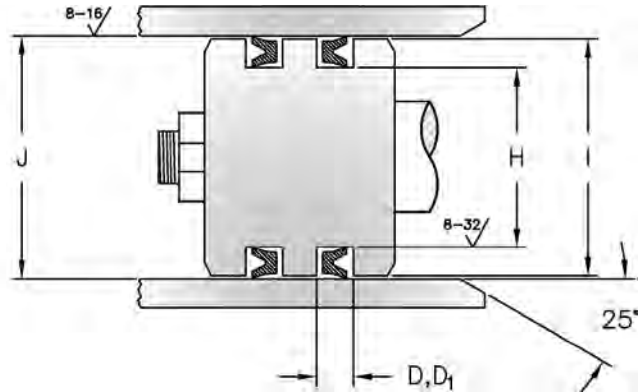
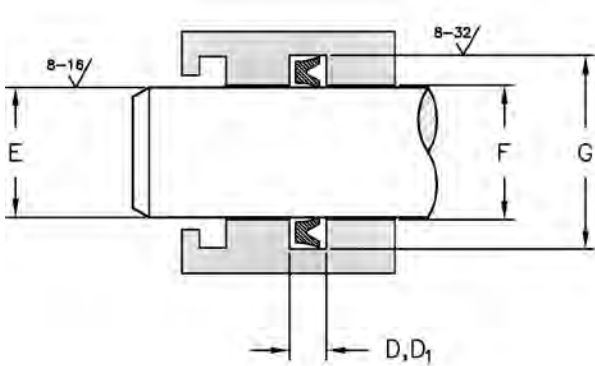
Style HSU u-seals are precision molded from 90 Durometer Buna-N rubber or 90A Fluorocarbon (suffix "V") -- 90 Duro Rubber for abrasion resistance and Fluorocarbon for heat resistance. These seals are commonly found in industrial cylinders as piston, rod and cushion seals.



HERCULES PART NUMBERS

HSU 12 - 0.75 - 90D
 Type of Seal Cross Section Inside Diameter Height

| SEAL INFORMATION | |
|-------------------|--|
| MATERIAL | 90A BUNA-N RUBBER 90A FLUOROCARBON |
| TEMPERATURE RANGE | BUNA-N: -40° TO +250° F FC: -20° TO +400° F |
| PRESSURE RANGE | 0 TO 2,000 PSI |
| SPEED | 3 FT/SEC |



U-SEALS

| Part Number | A Nom. ID | B Nom. OD | C Nom. Ht | D GROOVE WIDTH | D ₁ GROOVE WIDTH WITH BACKUP | E ROD DIAMETER | F THROAT DIAMETER | G HOUSING DIAMETER | H GROOVE DIAMETER | I PISTON DIAMETER | J BORE DIAMETER | List Price |
|--------------------|-----------|-----------|-----------|--|---|---|---|---|---|---|---|------------|
| 1/8" C/S | | | | | | | | | | | | |
| HSU12-0.75-12-90D | 3/4 | 1 | 1/8 | .156 ^{+0.015} / _{+0.000} | .219 ±0.010 | .750 ^{+0.000} / _{-0.001} | .751 ^{+0.002} / _{+0.000} | 1.000 ^{+0.002} / _{+0.000} | .750 ^{+0.000} / _{-0.002} | .998 ^{+0.000} / _{-0.001} | 1.000 ^{+0.002} / _{+0.000} | \$2.18 |
| HSU12-0.75-12-90DV | 3/4 | 1 | 1/8 | .156 ^{+0.015} / _{+0.000} | .219 ±0.010 | .750 ^{+0.000} / _{-0.001} | .751 ^{+0.002} / _{+0.000} | 1.000 ^{+0.002} / _{+0.000} | .750 ^{+0.000} / _{-0.002} | .998 ^{+0.000} / _{-0.001} | 1.000 ^{+0.002} / _{+0.000} | 14.13 |
| 5/32" C/S | | | | | | | | | | | | |
| HSU15-1.18-15-90D | 1-3/16 | 1-1/2 | 5/32 | .188 ^{+0.015} / _{+0.000} | .250 ±0.010 | 1.187 ^{+0.000} / _{-0.001} | 1.188 ^{+0.002} / _{+0.000} | 1.500 ^{+0.002} / _{+0.000} | 1.187 ^{+0.000} / _{-0.002} | 1.498 ^{+0.000} / _{-0.001} | 1.500 ^{+0.002} / _{+0.000} | \$2.71 |
| HSU15-1.18-15-90DV | 1-3/16 | 1-1/2 | 5/32 | .188 ^{+0.015} / _{+0.000} | .250 ±0.010 | 1.187 ^{+0.000} / _{-0.001} | 1.188 ^{+0.002} / _{+0.000} | 1.500 ^{+0.002} / _{+0.000} | 1.187 ^{+0.000} / _{-0.002} | 1.498 ^{+0.000} / _{-0.001} | 1.500 ^{+0.002} / _{+0.000} | 16.70 |
| HSU15-1.25-15-90D | 1-1/4 | 1-9/16 | 5/32 | .188 ^{+0.015} / _{+0.000} | .250 ±0.010 | 1.250 ^{+0.000} / _{-0.001} | 1.251 ^{+0.002} / _{+0.000} | 1.563 ^{+0.002} / _{+0.000} | 1.250 ^{+0.000} / _{-0.002} | 1.560 ^{+0.000} / _{-0.001} | 1.563 ^{+0.002} / _{+0.000} | 2.89 |
| HSU15-1.25-15-90DV | 1-1/4 | 1-9/16 | 5/32 | .188 ^{+0.015} / _{+0.000} | .250 ±0.010 | 1.250 ^{+0.000} / _{-0.001} | 1.251 ^{+0.002} / _{+0.000} | 1.563 ^{+0.002} / _{+0.000} | 1.250 ^{+0.000} / _{-0.002} | 1.560 ^{+0.000} / _{-0.001} | 1.563 ^{+0.002} / _{+0.000} | 23.57 |
| 3/16" C/S | | | | | | | | | | | | |
| HSU18-1.62-18-90D | 1-5/8 | 2 | 3/16 | .218 ^{+0.015} / _{+0.000} | .281 ±0.010 | 1.625 ^{+0.000} / _{-0.002} | 1.626 ^{+0.002} / _{+0.000} | 2.000 ^{+0.002} / _{+0.000} | 1.625 ^{+0.000} / _{-0.002} | 1.998 ^{+0.000} / _{-0.002} | 2.000 ^{+0.002} / _{+0.000} | \$3.07 |
| HSU18-1.62-18-90DV | 1-5/8 | 2 | 3/16 | .218 ^{+0.015} / _{+0.000} | .281 ±0.010 | 1.625 ^{+0.000} / _{-0.002} | 1.626 ^{+0.002} / _{+0.000} | 2.000 ^{+0.002} / _{+0.000} | 1.625 ^{+0.000} / _{-0.002} | 1.998 ^{+0.000} / _{-0.002} | 2.000 ^{+0.002} / _{+0.000} | 42.92 |
| HSU18-2.12-18-90D | 2-1/8 | 2-1/2 | 3/16 | .218 ^{+0.015} / _{+0.000} | .281 ±0.010 | 2.125 ^{+0.000} / _{-0.002} | 2.126 ^{+0.002} / _{+0.000} | 2.500 ^{+0.002} / _{+0.000} | 2.125 ^{+0.000} / _{-0.002} | 2.498 ^{+0.000} / _{-0.002} | 2.500 ^{+0.002} / _{+0.000} | 3.30 |
| HSU18-2.12-18-90DV | 2-1/8 | 2-1/2 | 3/16 | .218 ^{+0.015} / _{+0.000} | .281 ±0.010 | 2.125 ^{+0.000} / _{-0.002} | 2.126 ^{+0.002} / _{+0.000} | 2.500 ^{+0.002} / _{+0.000} | 2.125 ^{+0.000} / _{-0.002} | 2.498 ^{+0.000} / _{-0.002} | 2.500 ^{+0.002} / _{+0.000} | 45.62 |

FORMERLY LISTED SEALS ARE AVAILABLE ONLINE AT WWW.HERCULESUS.COM
 OR BY CONTACTING YOUR REGIONAL HERCULES SALES TEAM.



STYLE HSU HOMOGENEOUS U-SEALS

U-SEALS

| Part Number | A Nom. ID | B Nom. OD | C Nom. Ht | D GROOVE WIDTH | D ₁ GROOVE WIDTH WITH BACKUP | E ROD DIAMETER | F THROAT DIAMETER | G HOUSING DIAMETER | H GROOVE DIAMETER | I PISTON DIAMETER | J BORE DIAMETER | List Price |
|---------------------|-----------------|-----------------|-----------------|--|---|--|--|--|--|--|--|---------------|
| 7/32" C/S | | | | | | | | | | | | |
| HSU21-2.81-21-90D | 2-13/16 | 3-1/4 | 7/32 | .250 ^{+0.015} / _{+0.000} | .312 ±0.010 | 2.812 ^{+0.000} / _{-0.002} | 2.813 ^{+0.003} / _{+0.000} | 3.250 ^{+0.002} / _{+0.000} | 2.812 ^{+0.000} / _{-0.002} | 3.248 ^{+0.000} / _{-0.002} | 3.250 ^{+0.002} / _{+0.000} | \$5.53 |
| HSU21-2.81-21-90DV | 2-13/16 | 3-1/4 | 7/32 | .250 ^{+0.015} / _{+0.000} | .312 ±0.010 | 2.812 ^{+0.000} / _{-0.002} | 2.813 ^{+0.003} / _{+0.000} | 3.250 ^{+0.002} / _{+0.000} | 2.812 ^{+0.000} / _{-0.002} | 3.248 ^{+0.000} / _{-0.002} | 3.250 ^{+0.002} / _{+0.000} | 44.19 |
| 1/4" C/S | | | | | | | | | | | | |
| HSU25-3.50-25-90D | 3-1/2 | 4 | 1/4 | .281 ^{+0.015} / _{+0.000} | .344 ±0.010 | 3.500 ^{+0.000} / _{-0.002} | 3.501 ^{+0.003} / _{+0.000} | 4.000 ^{+0.003} / _{+0.000} | 3.500 ^{+0.000} / _{-0.003} | 3.998 ^{+0.000} / _{-0.002} | 4.000 ^{+0.003} / _{+0.000} | \$5.78 |
| HSU25-3.50-25-90DV | 3-1/2 | 4 | 1/4 | .281 ^{+0.015} / _{+0.000} | .344 ±0.010 | 3.500 ^{+0.000} / _{-0.002} | 3.501 ^{+0.003} / _{+0.000} | 4.000 ^{+0.003} / _{+0.000} | 3.500 ^{+0.000} / _{-0.003} | 3.998 ^{+0.000} / _{-0.002} | 4.000 ^{+0.003} / _{+0.000} | 58.80 |
| HSU25-4.50-25-90D | 4-1/2 | 5 | 1/4 | .281 ^{+0.015} / _{+0.000} | .344 ±0.010 | 4.500 ^{+0.000} / _{-0.002} | 4.501 ^{+0.003} / _{+0.000} | 5.000 ^{+0.003} / _{+0.000} | 4.500 ^{+0.000} / _{-0.003} | 4.998 ^{+0.000} / _{-0.002} | 5.000 ^{+0.003} / _{+0.000} | 6.90 |
| HSU25-4.50-25-90DV | 4-1/2 | 5 | 1/4 | .281 ^{+0.015} / _{+0.000} | .344 ±0.010 | 4.500 ^{+0.000} / _{-0.002} | 4.501 ^{+0.003} / _{+0.000} | 5.000 ^{+0.003} / _{+0.000} | 4.500 ^{+0.000} / _{-0.003} | 4.998 ^{+0.000} / _{-0.002} | 5.000 ^{+0.003} / _{+0.000} | 38.93 |
| 9/32" C/S | | | | | | | | | | | | |
| HSU28-4.43-28-90D | 4-7/16 | 5 | 9/32 | .312 ^{+0.015} / _{+0.000} | .375 ±0.010 | 4.437 ^{+0.000} / _{-0.002} | 4.438 ^{+0.003} / _{+0.000} | 5.000 ^{+0.003} / _{+0.000} | 4.437 ^{+0.000} / _{-0.003} | 4.998 ^{+0.000} / _{-0.002} | 5.000 ^{+0.003} / _{+0.000} | \$12.46 |
| HSU28-4.43-28-90DV | 4-7/16 | 5 | 9/32 | .312 ^{+0.015} / _{+0.000} | .375 ±0.010 | 4.437 ^{+0.000} / _{-0.002} | 4.438 ^{+0.003} / _{+0.000} | 5.000 ^{+0.003} / _{+0.000} | 4.437 ^{+0.000} / _{-0.003} | 4.998 ^{+0.000} / _{-0.002} | 5.000 ^{+0.003} / _{+0.000} | 59.84 |
| HSU28-5.43-28-90D | 5-7/16 | 6 | 9/32 | .312 ^{+0.015} / _{+0.000} | .375 ±0.010 | 5.437 ^{+0.000} / _{-0.002} | 5.438 ^{+0.003} / _{+0.000} | 6.000 ^{+0.003} / _{+0.000} | 5.437 ^{+0.000} / _{-0.003} | 5.998 ^{+0.000} / _{-0.003} | 6.000 ^{+0.003} / _{+0.000} | 14.29 |
| HSU28-5.43-28-90DV | 5-7/16 | 6 | 9/32 | .312 ^{+0.015} / _{+0.000} | .375 ±0.010 | 5.437 ^{+0.000} / _{-0.002} | 5.438 ^{+0.003} / _{+0.000} | 6.000 ^{+0.003} / _{+0.000} | 5.437 ^{+0.000} / _{-0.003} | 5.998 ^{+0.000} / _{-0.003} | 6.000 ^{+0.003} / _{+0.000} | 48.97 |
| HSU28-6.43-28-90D | 6-7/16 | 7 | 9/32 | .312 ^{+0.015} / _{+0.000} | .375 ±0.010 | 6.437 ^{+0.000} / _{-0.002} | 6.438 ^{+0.003} / _{+0.000} | 7.000 ^{+0.003} / _{+0.000} | 6.437 ^{+0.000} / _{-0.003} | 6.998 ^{+0.000} / _{-0.003} | 7.000 ^{+0.003} / _{+0.000} | 14.35 |
| HSU28-6.43-28-90DV | 6-7/16 | 7 | 9/32 | .312 ^{+0.015} / _{+0.000} | .375 ±0.010 | 6.437 ^{+0.000} / _{-0.002} | 6.438 ^{+0.003} / _{+0.000} | 7.000 ^{+0.003} / _{+0.000} | 6.437 ^{+0.000} / _{-0.003} | 6.998 ^{+0.000} / _{-0.003} | 7.000 ^{+0.003} / _{+0.000} | 87.95 |
| 5/16" C/S | | | | | | | | | | | | |
| HSU31-5.37-31-90D | 5-3/8 | 6 | 5/16 | .344 ^{+0.015} / _{+0.000} | .406 ±0.010 | 5.375 ^{+0.000} / _{-0.002} | 5.376 ^{+0.003} / _{+0.000} | 6.000 ^{+0.004} / _{+0.000} | 5.375 ^{+0.000} / _{-0.004} | 5.998 ^{+0.000} / _{-0.003} | 6.000 ^{+0.003} / _{+0.000} | \$12.97 |
| HSU31-5.37-31-90DV | 5-3/8 | 6 | 5/16 | .344 ^{+0.015} / _{+0.000} | .406 ±0.010 | 5.375 ^{+0.000} / _{-0.002} | 5.376 ^{+0.003} / _{+0.000} | 6.000 ^{+0.004} / _{+0.000} | 5.375 ^{+0.000} / _{-0.004} | 5.998 ^{+0.000} / _{-0.003} | 6.000 ^{+0.003} / _{+0.000} | 62.96 |
| HSU31-6.37-31-90D | 6-3/8 | 7 | 5/16 | .344 ^{+0.015} / _{+0.000} | .406 ±0.010 | 6.375 ^{+0.000} / _{-0.002} | 6.376 ^{+0.003} / _{+0.000} | 7.000 ^{+0.004} / _{+0.000} | 6.375 ^{+0.000} / _{-0.004} | 6.998 ^{+0.000} / _{-0.003} | 7.000 ^{+0.003} / _{+0.000} | 20.51 |
| HSU31-6.37-31-90DV | 6-3/8 | 7 | 5/16 | .344 ^{+0.015} / _{+0.000} | .406 ±0.010 | 6.375 ^{+0.000} / _{-0.002} | 6.376 ^{+0.003} / _{+0.000} | 7.000 ^{+0.004} / _{+0.000} | 6.375 ^{+0.000} / _{-0.004} | 6.998 ^{+0.000} / _{-0.003} | 7.000 ^{+0.003} / _{+0.000} | 77.86 |
| HSU31-7.37-31-90D | 7-3/8 | 8 | 5/16 | .344 ^{+0.015} / _{+0.000} | .406 ±0.010 | 7.375 ^{+0.000} / _{-0.002} | 7.376 ^{+0.003} / _{+0.000} | 8.000 ^{+0.004} / _{+0.000} | 7.375 ^{+0.000} / _{-0.004} | 7.998 ^{+0.000} / _{-0.004} | 8.000 ^{+0.003} / _{+0.000} | 25.40 |
| HSU31-7.37-31-90DV | 7-3/8 | 8 | 5/16 | .344 ^{+0.015} / _{+0.000} | .406 ±0.010 | 7.375 ^{+0.000} / _{-0.002} | 7.376 ^{+0.003} / _{+0.000} | 8.000 ^{+0.004} / _{+0.000} | 7.375 ^{+0.000} / _{-0.004} | 7.998 ^{+0.000} / _{-0.004} | 8.000 ^{+0.003} / _{+0.000} | 124.59 |
| 11/32" C/S | | | | | | | | | | | | |
| HSU34-9.31-34-90D | 9-5/16 | 10 | 11/32 | .375 ^{+0.015} / _{+0.000} | .438 ±0.010 | 9.312 ^{+0.000} / _{-0.002} | 9.314 ^{+0.003} / _{+0.000} | 10.000 ^{+0.004} / _{+0.000} | 9.312 ^{+0.000} / _{-0.004} | 9.998 ^{+0.000} / _{-0.004} | 10.000 ^{+0.003} / _{+0.000} | \$34.84 |
| HSU34-9.31-34-90DV | 9-5/16 | 10 | 11/32 | .375 ^{+0.015} / _{+0.000} | .438 ±0.010 | 9.312 ^{+0.000} / _{-0.002} | 9.314 ^{+0.003} / _{+0.000} | 10.000 ^{+0.004} / _{+0.000} | 9.312 ^{+0.000} / _{-0.004} | 9.998 ^{+0.000} / _{-0.004} | 10.000 ^{+0.003} / _{+0.000} | 151.53 |
| 3/8" C/S | | | | | | | | | | | | |
| HSU37-11.25-37-90D | 11-1/4 | 12 | 3/8 | .406 ^{+0.015} / _{+0.000} | .469 ±0.010 | 11.250 ^{+0.000} / _{-0.002} | 11.252 ^{+0.004} / _{+0.000} | 12.000 ^{+0.005} / _{+0.000} | 11.250 ^{+0.000} / _{-0.005} | 11.998 ^{+0.000} / _{-0.004} | 12.000 ^{+0.004} / _{+0.000} | \$60.22 |
| HSU37-11.25-37-90DV | 11-1/4 | 12 | 3/8 | .406 ^{+0.015} / _{+0.000} | .469 ±0.010 | 11.250 ^{+0.000} / _{-0.002} | 11.252 ^{+0.004} / _{+0.000} | 12.000 ^{+0.005} / _{+0.000} | 11.250 ^{+0.000} / _{-0.005} | 11.998 ^{+0.000} / _{-0.004} | 12.000 ^{+0.004} / _{+0.000} | 181.19 |
| 13/32" C/S | | | | | | | | | | | | |
| HSU40-13.18-40-90D | 13-3/16 | 14 | 13/32 | .438 ^{+0.015} / _{+0.000} | .500 ±0.010 | 13.187 ^{+0.000} / _{-0.002} | 13.189 ^{+0.004} / _{+0.000} | 14.000 ^{+0.005} / _{+0.000} | 13.187 ^{+0.000} / _{-0.005} | 13.998 ^{+0.000} / _{-0.004} | 14.000 ^{+0.004} / _{+0.000} | \$32.42 |
| HSU40-13.18-40-90DV | 13-3/16 | 14 | 13/32 | .438 ^{+0.015} / _{+0.000} | .500 ±0.010 | 13.187 ^{+0.000} / _{-0.002} | 13.189 ^{+0.004} / _{+0.000} | 14.000 ^{+0.005} / _{+0.000} | 13.187 ^{+0.000} / _{-0.005} | 13.998 ^{+0.000} / _{-0.004} | 14.000 ^{+0.004} / _{+0.000} | 245.50 |
| 1/2" C/S | | | | | | | | | | | | |
| HSU50-11.00-50-90D | 11 | 12 | 1/2 | .531 ^{+0.015} / _{+0.000} | .594 ±0.010 | 11.000 ^{+0.000} / _{-0.003} | 11.002 ^{+0.004} / _{+0.000} | 12.000 ^{+0.007} / _{+0.000} | 11.000 ^{+0.000} / _{-0.007} | 11.998 ^{+0.000} / _{-0.004} | 12.000 ^{+0.005} / _{+0.000} | \$75.94 |

NORTH AMERICA
PHONE 1-800-777-5617
FAX 1-800-759-6391

SALES OFFICE HOURS
8 A.M. TO 7:30 P.M. EASTERN TIME
www.HerculesUS.com

WORLDWIDE
PHONE 1-727-796-1300
FAX 1-727-797-8849



STYLE HSU HOMOGENEOUS U-SEALS

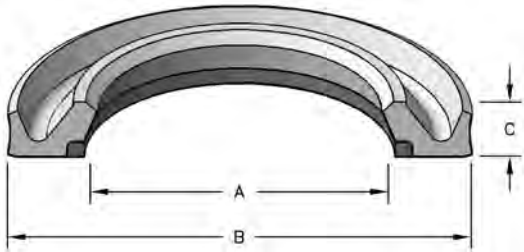
| Part Number | A Nom. ID | B Nom. OD | C Nom. Ht | D GROOVE WIDTH | D ₁ GROOVE WIDTH WITH BACKUP | E ROD DIAMETER | F THROAT DIAMETER | G HOUSING DIAMETER | H GROOVE DIAMETER | I PISTON DIAMETER | J BORE DIAMETER | List Price |
|---------------------|-----------------|-----------------|-----------------|--|---|---|--|--|---|---|--|---------------|
| HSU50-11.00-50-90DV | 11 | 12 | 1/2 | .531 ^{+0.015} / _{+0.000} | .594 ±.010 | 11.000 ^{+0.000} / _{-.003} | 11.002 ^{+0.004} / _{+0.000} | 12.000 ^{+0.007} / _{+0.000} | 11.000 ^{+0.000} / _{-.007} | 11.998 ^{+0.000} / _{-.004} | 12.000 ^{+0.005} / _{+0.000} | 245.50 |
| HSU50-13.00-50-90D | 13 | 14 | 1/2 | .531 ^{+0.015} / _{+0.000} | .594 ±.010 | 13.000 ^{+0.000} / _{-.003} | 13.002 ^{+0.004} / _{+0.000} | 14.000 ^{+0.007} / _{+0.000} | 13.000 ^{+0.000} / _{-.007} | 13.998 ^{+0.000} / _{-.004} | 14.000 ^{+0.005} / _{+0.000} | 78.53 |

U-SEALS



STYLE DYR ROD BUFFER SEALS

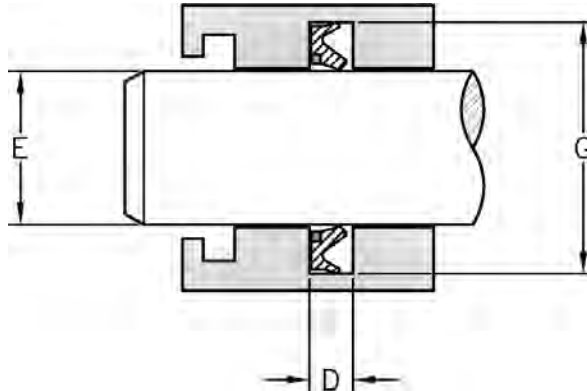
This U-cup style buffer ring offers an asymmetric sealing lip profile, chamfered sealing edges, and pressure relieving capabilities to prevent inner pressure entrapment when employed in a tandem sealing system. This rod buffer seal is designed to absorb impact pressure fluctuations under high-load conditions thus increasing the life of the primary seal.



HERCULES PART NUMBERS

DYR 28 - 1.25 - 12
 Type of Seal: DYR 28, Cross Section: 1.25, Inside Diameter: 12, Nominal Seal Height: 12

DYR - 250 03
 Type of Seal: DYR, Nominal Seal ID: 250, O-Ring Cross Section: 03



SEAL INFORMATION

| | |
|-------------------|---|
| MATERIAL | URETHANE U-STYLE POLYACETAL BACK-UP |
| TEMPERATURE RANGE | -40° TO +230° F |
| PRESSURE RANGE | 0 TO 8,000 PSI |
| SPEED | 3 FT/SEC |

ROD BUFFER SEALS

| Part Number | A Nom. ID | B Nom. OD | C Nom. Ht | D GROOVE WIDTH | E ROD DIAMETER | G HOUSING DIAMETER | List Price |
|-----------------|--------------|--------------|--------------|----------------------|----------------------|--------------------------|---------------|
| DYR28-1.25-12 | 1-1/4 | 1-13/16 | 1/8 | .140 +.008 +.000 | 1.250 -.001 -.003 | 1.813 +.008 +.000 | \$ 12.93 |
| DYR28-1.37-12 | 1-3/8 | 1-15/16 | 1/8 | .140 +.010 +.000 | 1.375 -.001 -.003 | 1.937 +.004 +.000 | 15.39 |
| DYR28-1.50-12 | 1-1/2 | 2-1/16 | 1/8 | .140 +.008 +.000 | 1.500 -.001 -.003 | 2.063 +.008 +.000 | 14.92 |
| DYR28-1.62-12 | 1-5/8 | 2-3/16 | 1/8 | .140 +.008 +.000 | 1.625 -.001 -.003 | 2.187 +.008 +.000 | 15.94 |
| DYR28-1.75-12 | 1-3/4 | 2-5/16 | 1/8 | .140 +.008 +.000 | 1.750 -.001 -.003 | 2.313 +.008 +.000 | 16.94 |
| DYR32-1.75-20BU | 1-3/4 | 2.4 | .2 | .220 +.008 +.000 | 1.750 -.001 -.003 | 2.400 +.008 +.000 | 19.69 |
| DYR32-1.87-22BU | 1-7/8 | 2.531 | .22 | .235 +.008 +.000 | 1.875 -.001 -.003 | 2.531 +.008 +.000 | 24.62 |
| DYR28-2.00-12 | 2 | 2-9/16 | 1/8 | .140 +.008 +.000 | 2.000 -.001 -.003 | 2.563 +.008 +.000 | 18.94 |
| DYR32-2.12-22BU | 2-1/8 | 2.77 | .22 | .220 ±.008 | 2.125 +.000 -.003 | 2.770 ±.005 | 29.55 |
| DYR34-2.25-22BU | 2-1/4 | 2-15/16 | 3/16 | .234 +.008 +.000 | 2.250 -.001 -.003 | 2.938 +.008 +.000 | 20.97 |
| DYR-25003 | 2-1/2 | 3.116 | .235 | .247 +.010 +.000 | 2.500 +.000 -.004 | 3.116 +.005 +.000 | 35.61 |
| DYR34-2.50-22BU | 2-1/2 | 3-3/16 | 3/16 | .234 +.008 +.000 | 2.500 -.001 -.003 | 3.188 +.008 +.000 | 22.95 |
| DYR-27503 | 2-3/4 | 3.366 | .235 | .247 +.010 +.000 | 2.750 +.000 -.004 | 3.366 +.005 +.000 | 29.52 |

NORTH AMERICA
 PHONE 1-800-777-5617
 FAX 1-800-759-6391

SALES OFFICE HOURS
 8 A.M. TO 7:30 P.M. EASTERN TIME
www.HerculesUS.com

WORLDWIDE
 PHONE 1-727-796-1300
 FAX 1-727-797-8849



STYLE DYP ROD BUFFER SEALS

ROD BUFFER SEALS

| Part Number | A Nom. ID | B Nom. OD | C Nom. Ht | D GROOVE WIDTH | E ROD DIAMETER | G HOUSING DIAMETER | List Price |
|------------------|--------------|--------------|--------------|--|---|--|---------------|
| DYR31-2.75-22BU | 2-3/4 | 3-3/8 | 3/16 | .234 ⁺⁰⁰⁸ / ₊₀₀₀ | 2.750 ⁻⁰⁰¹ / ₋₀₀₃ | 3.375 ⁺⁰⁰⁸ / ₊₀₀₀ | 24.95 |
| DYR-30003 | 3 | 3.616 | .235 | .247 ⁺⁰¹⁰ / ₊₀₀₀ | 3.000 ⁺⁰⁰⁰ / ₋₀₀₄ | 3.616 ⁺⁰⁰⁵ / ₊₀₀₀ | 41.66 |
| DYR31-3.00-22BU | 3 | 3-5/8 | 3/16 | .234 ⁺⁰⁰⁸ / ₊₀₀₀ | 3.000 ⁻⁰⁰¹ / ₋₀₀₃ | 3.625 ⁺⁰⁰⁸ / ₊₀₀₀ | 26.95 |
| DYR-35003 | 3-1/2 | 4.116 | .235 | .247 ⁺⁰¹⁰ / ₊₀₀₀ | 3.500 ⁺⁰⁰⁰ / ₋₀₀₄ | 4.116 ⁺⁰⁰⁵ / ₊₀₀₀ | 42.52 |
| DYR34-3.50-22BU | 3-1/2 | 4-3/16 | 3/16 | .234 ⁺⁰⁰⁸ / ₊₀₀₀ | 3.500 ⁻⁰⁰¹ / ₋₀₀₄ | 4.188 ⁺⁰⁰⁸ / ₊₀₀₀ | 30.97 |
| DYR-40003 | 4 | 4.616 | .235 | .247 ⁺⁰¹⁰ / ₊₀₀₀ | 4.000 ⁺⁰⁰⁰ / ₋₀₀₄ | 4.616 ⁺⁰⁰⁵ / ₊₀₀₀ | 58.56 |
| DYR31-4.00-22BU | 4 | 4-5/8 | 3/16 | .234 ⁺⁰⁰⁸ / ₊₀₀₀ | 4.000 ⁻⁰⁰¹ / ₋₀₀₄ | 4.669 ⁺⁰⁰⁹ / ₊₀₀₀ | 34.94 |
| DYR-45003 | 4-1/2 | 5.116 | .235 | .247 ⁺⁰¹⁰ / ₊₀₀₀ | 4.500 ⁺⁰⁰⁰ / ₋₀₀₄ | 5.116 ⁺⁰⁰⁵ / ₊₀₀₀ | 72.82 |
| DYR-47503 | 4-3/4 | 5.366 | .235 | .247 ⁺⁰¹⁰ / ₊₀₀₀ | 4.750 ⁺⁰⁰⁰ / ₋₀₀₄ | 5.366 ⁺⁰⁰⁵ / ₊₀₀₀ | 75.18 |
| DYR-50003 | 5 | 5.616 | .235 | .247 ⁺⁰¹⁰ / ₊₀₀₀ | 5.000 ⁺⁰⁰⁰ / ₋₀₀₄ | 5.616 ⁺⁰⁰⁵ / ₊₀₀₀ | 77.45 |
| DYR-55003 | 5-1/2 | 6.116 | .235 | .247 ⁺⁰¹⁰ / ₊₀₀₀ | 5.500 ⁺⁰⁰⁰ / ₋₀₀₄ | 6.116 ⁺⁰⁰⁵ / ₊₀₀₀ | 75.58 |
| DYR31-5.75-23BU | 5-3/4 | 6-3/8 | .235 | .250 ⁺⁰⁰⁵ / ₋₀₀₃ | 5.750 ⁻⁰⁰¹⁷ / ₋₀₀₄₂ | 6.375 ⁺⁰⁰⁸ / ₊₀₀₀ | 53.07 |
| DYR-60003 | 6 | 6.616 | .235 | .247 ⁺⁰¹⁰ / ₊₀₀₀ | 6.000 ⁺⁰⁰⁰ / ₋₀₀₄ | 6.616 ⁺⁰⁰⁵ / ₊₀₀₀ | 71.13 |
| DYR-65003 | 6-1/2 | 7.116 | .235 | .247 ⁺⁰¹⁰ / ₊₀₀₀ | 6.500 ⁺⁰⁰⁰ / ₋₀₀₄ | 7.116 ⁺⁰⁰⁵ / ₊₀₀₀ | 78.70 |
| DYR-70003 | 7 | 7.616 | .235 | .247 ⁺⁰¹⁰ / ₊₀₀₀ | 7.000 ⁺⁰⁰⁰ / ₋₀₀₄ | 7.616 ⁺⁰⁰⁵ / ₊₀₀₀ | 85.11 |
| DYR-75003 | 7-1/2 | 8.116 | .235 | .247 ⁺⁰¹⁰ / ₊₀₀₀ | 7.500 ⁺⁰⁰⁰ / ₋₀₀₄ | 8.116 ⁺⁰⁰⁵ / ₊₀₀₀ | 86.59 |
| DYR-80003 | 8 | 8.616 | .235 | .247 ⁺⁰¹⁰ / ₊₀₀₀ | 8.000 ⁺⁰⁰⁰ / ₋₀₀₄ | 8.616 ⁺⁰⁰⁵ / ₊₀₀₀ | 91.31 |
| DYR37-15.75-31BU | 15-3/4 | 16-1/2 | .305 | .319 ⁺⁰⁰⁸ / ₊₀₀₀ | 15.750 ⁺⁰⁰⁰ / ₋₀₀₆ | 16.500 ⁺⁰⁰⁶ / ₊₀₀₀ | 598.46 |

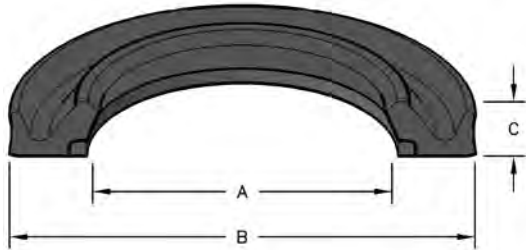
Seal color may vary. Special order sizes are available. Sizes not shown and out of stock items can also be ordered for next day delivery through Seals On Demand, our custom seal program. Please call your regional sales team for assistance.

FORMERLY LISTED SEALS ARE AVAILABLE ONLINE AT WWW.HERCULESUS.COM
OR BY CONTACTING YOUR REGIONAL HERCULES SALES TEAM.

NEW FOR 2015

STYLE DYR-BHT ROD BUFFER SEALS

Style DYR-BHT buffer seals are molded in Freudenberg® AU 30000 urethane. This U-cup style buffer ring offers an asymmetric sealing lip profile, chamfered sealing edges, and pressure relieving capabilities to prevent inner pressure entrapment when employed in a tandem sealing system. This rod buffer seal is designed to absorb impact pressure fluctuations under high-load conditions thus increasing the life of the primary seal. This high tear-resistant urethane demonstrates stability throughout a wide range of temperatures. In addition, this material is well suited to mineral and biodegradable hydraulic fluids as well as being resistant to hydrolysis.



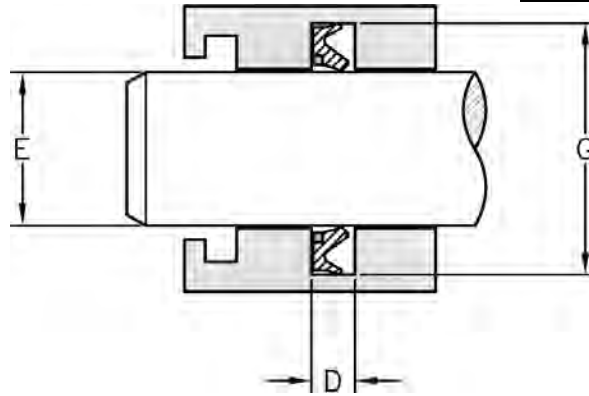
HERCULES PART NUMBERS

DYR 28 - 1.50 - 12 BHT

Type of Seal: DYR 28
 Cross Section: 1.50
 Inside Diameter: 12
 Nominal Seal Height: BHT

SEAL INFORMATION

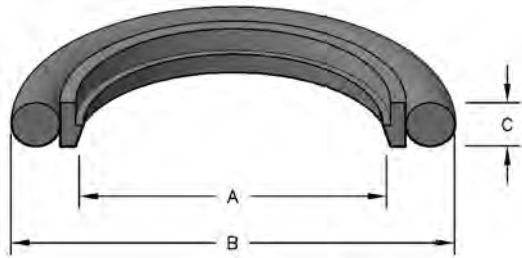
| | |
|-------------------|--|
| MATERIAL | 94A URETHANE "BU" INCLUDES POLYACETAL BACK-UP |
| TEMPERATURE RANGE | -31°F TO 250°F |
| PRESSURE RANGE | 0 TO 8000 PSI |
| SPEED | 1.5 FT/SEC |



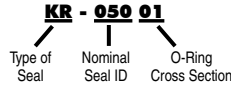
| Part Number | A Nom. ID | B Nom. OD | C Nom. Ht | D GROOVE WIDTH | E ROD DIAMETER | G HOUSING DIAMETER | List Price |
|---------------------|--------------|--------------|--------------|--------------------------|---------------------------|---------------------------|---------------|
| DYR28-1.50-12-BHT | 1-1/2 | 2-1/16 | 1/8 | .140 +0.008 +0.000 | 1.500 -0.001 -0.003 | 2.063 +0.008 +0.000 | \$16.63 |
| DYR28-1.75-12-BHT | 1-3/4 | 2-5/16 | 1/8 | .140 +0.008 +0.000 | 1.750 -0.001 -0.003 | 2.313 +0.008 +0.000 | 18.18 |
| DYR28-2.00-12-BHT | 2 | 2-9/16 | 1/8 | .140 +0.008 +0.000 | 2.000 -0.001 -0.003 | 2.563 +0.008 +0.000 | 20.11 |
| DYR31-4.00-22BU-BHT | 4 | 4-5/8 | 3/16 | .234 +0.008 +0.000 | 4.000 -0.001 -0.004 | 4.669 +0.009 +0.000 | 44.20 |

STYLE KR ROD BUFFER SEALS

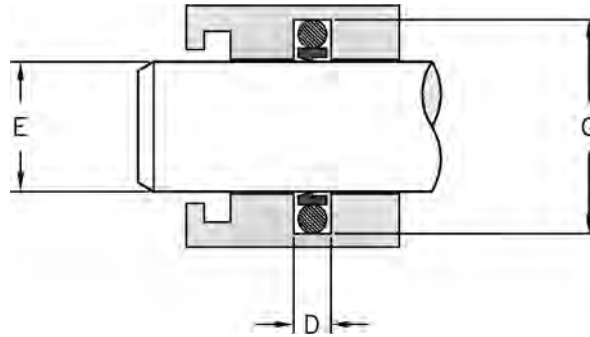
Molded in PTFE with a rubber energizer, this seal absorbs the shock of pressure spikes to protect the rod seal.



HERCULES PART NUMBERS



| SEAL INFORMATION | |
|-------------------|--|
| MATERIAL | BRONZE FILLED PTFE SEAL RUBBER ENERGIZER |
| TEMPERATURE RANGE | -40° TO +220° F |
| PRESSURE RANGE | 0 TO 5,000 PSI |
| SPEED | 12 FT/SEC |



ROD BUFFER SEALS

| Part Number | A Nom. ID | B Nom. OD | C Nom. Ht | D GROOVE WIDTH | E ROD DIAMETER | G HOUSING DIAMETER | List Price |
|-------------|--------------|--------------|--------------|--|--|---|------------|
| KR-05001 | 1/2 | .787 | .122 | .126 ^{+0.010} / _{+0.000} | .500 ^{+0.000} / _{-.002} | .787 ^{+0.005} / _{+0.000} | \$4.71 |
| KR-10001 | 1 | 1.287 | .122 | .126 ^{+0.010} / _{+0.000} | 1.000 ^{+0.000} / _{-.002} | 1.287 ^{+0.005} / _{+0.000} | 15.89 |
| KR-10002 | 1 | 1.421 | .155 | .166 ^{+0.010} / _{+0.000} | 1.000 ^{+0.000} / _{-.003} | 1.421 ^{+0.005} / _{+0.000} | 8.10 |
| KR-11201 | 1-1/8 | 1.407 | .122 | .126 ^{+0.010} / _{+0.000} | 1.120 ^{+0.000} / _{-.002} | 1.407 ^{+0.005} / _{+0.000} | 16.25 |
| KR-12501 | 1-1/4 | 1.537 | .122 | .126 ^{+0.010} / _{+0.000} | 1.250 ^{+0.000} / _{-.002} | 1.537 ^{+0.005} / _{+0.000} | 18.91 |
| KR-12502 | 1-1/4 | 1.671 | .155 | .166 ^{+0.010} / _{+0.000} | 1.250 ^{+0.000} / _{-.003} | 1.671 ^{+0.005} / _{+0.000} | 20.12 |
| KR-13702 | 1-3/8 | 1.791 | .155 | .166 ^{+0.010} / _{+0.000} | 1.370 ^{+0.000} / _{-.003} | 1.791 ^{+0.005} / _{+0.000} | 21.96 |
| KR-15001 | 1-1/2 | 1.787 | .122 | .126 ^{+0.010} / _{+0.000} | 1.500 ^{+0.000} / _{-.002} | 1.787 ^{+0.005} / _{+0.000} | 18.43 |
| KR-15002 | 1-1/2 | 1.921 | .155 | .166 ^{+0.010} / _{+0.000} | 1.500 ^{+0.000} / _{-.003} | 1.921 ^{+0.005} / _{+0.000} | 21.96 |
| KR-15003 | 1-1/2 | 2.094 | .235 | .247 ^{+0.010} / _{+0.000} | 1.500 ^{+0.000} / _{-.004} | 2.094 ^{+0.005} / _{+0.000} | 14.15 |
| KR-17501 | 1-3/4 | 2.037 | .122 | .126 ^{+0.010} / _{+0.000} | 1.750 ^{+0.000} / _{-.002} | 2.037 ^{+0.005} / _{+0.000} | 37.34 |
| KR-17502 | 1-3/4 | 2.171 | .155 | .166 ^{+0.010} / _{+0.000} | 1.750 ^{+0.000} / _{-.003} | 2.171 ^{+0.005} / _{+0.000} | 22.93 |
| KR-17503 | 1-3/4 | 2.344 | .235 | .247 ^{+0.010} / _{+0.000} | 1.750 ^{+0.000} / _{-.004} | 2.344 ^{+0.005} / _{+0.000} | 23.46 |
| KR-18702 | 1-7/8 | 2.291 | .155 | .166 ^{+0.010} / _{+0.000} | 1.870 ^{+0.000} / _{-.003} | 2.291 ^{+0.005} / _{+0.000} | 19.68 |
| KR-20002 | 2 | 2.421 | .155 | .166 ^{+0.010} / _{+0.000} | 2.000 ^{+0.000} / _{-.003} | 2.421 ^{+0.005} / _{+0.000} | 24.68 |
| KR-20003 | 2 | 2.594 | .235 | .247 ^{+0.010} / _{+0.000} | 2.000 ^{+0.000} / _{-.004} | 2.594 ^{+0.005} / _{+0.000} | 26.56 |

FORMERLY LISTED SEALS ARE AVAILABLE ONLINE AT WWW.HERCULESUS.COM
OR BY CONTACTING YOUR REGIONAL HERCULES SALES TEAM.



STYLE KR ROD BUFFER SEALS

ROD BUFFER SEALS

| Part Number | A Nom. ID | B Nom. OD | C Nom. Ht | D GROOVE WIDTH | E ROD DIAMETER | G HOUSING DIAMETER | List Price |
|-------------|--------------|--------------|--------------|--|--|---|---------------|
| KR-21202 | 2-1/8 | 2.541 | .155 | .166 ⁺⁰¹⁰ / ₊₀₀₀ | 2.120 ⁺⁰⁰⁰ / _{-.003} | 2.541 ⁺⁰⁰⁵ / ₊₀₀₀ | 26.09 |
| KR-22502 | 2-1/4 | 2.671 | .155 | .166 ⁺⁰¹⁰ / ₊₀₀₀ | 2.250 ⁺⁰⁰⁰ / _{-.003} | 2.671 ⁺⁰⁰⁵ / ₊₀₀₀ | 27.59 |
| KR-25002 | 2-1/2 | 2.921 | .155 | .166 ⁺⁰¹⁰ / ₊₀₀₀ | 2.500 ⁺⁰⁰⁰ / _{-.003} | 2.921 ⁺⁰⁰⁵ / ₊₀₀₀ | 24.86 |
| KR-25003 | 2-1/2 | 3.094 | .235 | .247 ⁺⁰¹⁰ / ₊₀₀₀ | 2.500 ⁺⁰⁰⁰ / _{-.004} | 3.094 ⁺⁰⁰⁵ / ₊₀₀₀ | 34.43 |
| KR-26203 | 2-5/8 | 3.214 | .235 | .247 ⁺⁰¹⁰ / ₊₀₀₀ | 2.620 ⁺⁰⁰⁰ / _{-.004} | 3.214 ⁺⁰⁰⁵ / ₊₀₀₀ | 33.22 |
| KR-27502 | 2-3/4 | 3.171 | .155 | .166 ⁺⁰¹⁰ / ₊₀₀₀ | 2.750 ⁺⁰⁰⁰ / _{-.003} | 3.171 ⁺⁰⁰⁵ / ₊₀₀₀ | 29.16 |
| KR-27503 | 2-3/4 | 3.344 | .235 | .247 ⁺⁰¹⁰ / ₊₀₀₀ | 2.750 ⁺⁰⁰⁰ / _{-.004} | 3.344 ⁺⁰⁰⁵ / ₊₀₀₀ | 28.55 |
| KR-30002 | 3 | 3.421 | .155 | .166 ⁺⁰¹⁰ / ₊₀₀₀ | 3.000 ⁺⁰⁰⁰ / _{-.003} | 3.421 ⁺⁰⁰⁵ / ₊₀₀₀ | 32.35 |
| KR-30003 | 3 | 3.594 | .235 | .247 ⁺⁰¹⁰ / ₊₀₀₀ | 3.000 ⁺⁰⁰⁰ / _{-.004} | 3.594 ⁺⁰⁰⁵ / ₊₀₀₀ | 40.33 |
| KR-32503 | 3-1/4 | 3.844 | .235 | .247 ⁺⁰¹⁰ / ₊₀₀₀ | 3.250 ⁺⁰⁰⁰ / _{-.004} | 3.844 ⁺⁰⁰⁵ / ₊₀₀₀ | 40.70 |
| KR-35003 | 3-1/2 | 4.094 | .235 | .247 ⁺⁰¹⁰ / ₊₀₀₀ | 3.500 ⁺⁰⁰⁰ / _{-.004} | 4.094 ⁺⁰⁰⁵ / ₊₀₀₀ | 41.11 |
| KR-37503 | 3-3/4 | 4.344 | .235 | .247 ⁺⁰¹⁰ / ₊₀₀₀ | 3.750 ⁺⁰⁰⁰ / _{-.004} | 4.344 ⁺⁰⁰⁵ / ₊₀₀₀ | 53.56 |
| KR-40002 | 4 | 4.421 | .155 | .166 ⁺⁰¹⁰ / ₊₀₀₀ | 4.000 ⁺⁰⁰⁰ / _{-.003} | 4.421 ⁺⁰⁰⁵ / ₊₀₀₀ | 50.84 |
| KR-40003 | 4 | 4.594 | .235 | .247 ⁺⁰¹⁰ / ₊₀₀₀ | 4.000 ⁺⁰⁰⁰ / _{-.004} | 4.594 ⁺⁰⁰⁵ / ₊₀₀₀ | 56.68 |
| KR-40004 | 4 | 4.807 | .305 | .320 ⁺⁰¹⁰ / ₊₀₀₀ | 4.000 ⁺⁰⁰⁰ / _{-.005} | 4.807 ⁺⁰⁰⁵ / ₊₀₀₀ | 51.70 |
| KR-45003 | 4-1/2 | 5.094 | .235 | .247 ⁺⁰¹⁰ / ₊₀₀₀ | 4.500 ⁺⁰⁰⁰ / _{-.004} | 5.094 ⁺⁰⁰⁵ / ₊₀₀₀ | 70.44 |
| KR-45004 | 4-1/2 | 5.307 | .305 | .320 ⁺⁰¹⁰ / ₊₀₀₀ | 4.500 ⁺⁰⁰⁰ / _{-.005} | 5.307 ⁺⁰⁰⁵ / ₊₀₀₀ | 67.50 |
| KR-47503 | 4-3/4 | 5.344 | .235 | .247 ⁺⁰¹⁰ / ₊₀₀₀ | 4.750 ⁺⁰⁰⁰ / _{-.004} | 5.344 ⁺⁰⁰⁵ / ₊₀₀₀ | 72.73 |
| KR-50003 | 5 | 5.594 | .235 | .247 ⁺⁰¹⁰ / ₊₀₀₀ | 5.000 ⁺⁰⁰⁰ / _{-.004} | 5.594 ⁺⁰⁰⁵ / ₊₀₀₀ | 74.95 |
| KR-50004 | 5 | 5.807 | .305 | .320 ⁺⁰¹⁰ / ₊₀₀₀ | 5.000 ⁺⁰⁰⁰ / _{-.005} | 5.807 ⁺⁰⁰⁵ / ₊₀₀₀ | 75.46 |
| KR-55004 | 5-1/2 | 6.307 | .305 | .320 ⁺⁰¹⁰ / ₊₀₀₀ | 5.500 ⁺⁰⁰⁰ / _{-.005} | 6.307 ⁺⁰⁰⁵ / ₊₀₀₀ | 79.60 |
| KR-57504 | 5-3/4 | 6.557 | .305 | .320 ⁺⁰¹⁰ / ₊₀₀₀ | 5.750 ⁺⁰⁰⁰ / _{-.005} | 6.557 ⁺⁰⁰⁵ / ₊₀₀₀ | 71.70 |
| KR-60003 | 6 | 6.594 | .235 | .247 ⁺⁰¹⁰ / ₊₀₀₀ | 6.000 ⁺⁰⁰⁰ / _{-.004} | 6.594 ⁺⁰⁰⁵ / ₊₀₀₀ | 68.81 |
| KR-60004 | 6 | 6.807 | .305 | .320 ⁺⁰¹⁰ / ₊₀₀₀ | 6.000 ⁺⁰⁰⁰ / _{-.005} | 6.807 ⁺⁰⁰⁵ / ₊₀₀₀ | 71.66 |
| KR-65003 | 6-1/2 | 7.094 | .235 | .247 ⁺⁰¹⁰ / ₊₀₀₀ | 6.500 ⁺⁰⁰⁰ / _{-.004} | 7.094 ⁺⁰⁰⁵ / ₊₀₀₀ | 35.84 |
| KR-67504 | 6-3/4 | 7.557 | .305 | .320 ⁺⁰¹⁰ / ₊₀₀₀ | 6.750 ⁺⁰⁰⁰ / _{-.005} | 7.557 ⁺⁰⁰⁵ / ₊₀₀₀ | 88.85 |
| KR-70003 | 7 | 7.594 | .235 | .247 ⁺⁰¹⁰ / ₊₀₀₀ | 7.000 ⁺⁰⁰⁰ / _{-.004} | 7.594 ⁺⁰⁰⁵ / ₊₀₀₀ | 82.37 |
| KR-70004 | 7 | 7.807 | .305 | .320 ⁺⁰¹⁰ / ₊₀₀₀ | 7.000 ⁺⁰⁰⁰ / _{-.005} | 7.807 ⁺⁰⁰⁵ / ₊₀₀₀ | 97.20 |
| KR-90004 | 9 | 9.807 | .305 | .320 ⁺⁰¹⁰ / ₊₀₀₀ | 9.000 ⁺⁰⁰⁰ / _{-.005} | 9.807 ⁺⁰⁰⁵ / ₊₀₀₀ | 98.86 |

Seal color may vary. Special order sizes are available. Sizes not shown and out of stock items can also be ordered for next day delivery through Seals On Demand, our custom seal program. Please call your regional sales team for assistance.

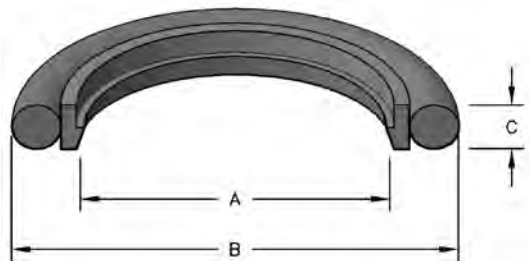
NORTH AMERICA
PHONE 1-800-777-5617
FAX 1-800-759-6391

SALES OFFICE HOURS
8 A.M. TO 7:30 P.M. EASTERN TIME
www.HerculesUS.com

WORLDWIDE
PHONE 1-727-796-1300
FAX 1-727-797-8849

STYLE KR ROD BUFFER SEALS - FLUOROCARBON

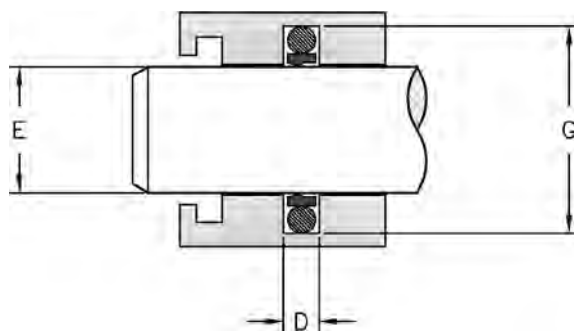
Molded in bronze-filled PTFE with an FKM energizer, this seal is used to protect the primary seal from damage caused by pressure spikes and excessive heat build up.



HERCULES PART NUMBERS

KR - 100 01V
 Type of Seal Nominal Seal ID O-Ring Cross Section

| SEAL INFORMATION | |
|-------------------|-------------------------------------|
| MATERIAL | BRONZE PTFE BUFFER FKM ENERGIZER |
| TEMPERATURE RANGE | -20° TO +400° F |
| PRESSURE RANGE | 0 TO 5,000 PSI |
| SPEED | 12 FT/SEC |



ROD BUFFER SEALS

| Part Number | A Nom. ID | B Nom. OD | C Nom. Ht | D GROOVE WIDTH | E ROD DIAMETER | G HOUSING DIAMETER | List Price |
|-------------|--------------|--------------|--------------|--|---|---|---------------|
| KR-10001V | 1 | 1.287 | .122 | .126 ^{+0.010} / _{+0.000} | 1.000 ^{+0.000} / _{-0.002} | 1.287 ^{+0.005} / _{+0.000} | \$21.89 |
| KR-11201V | 1-1/8 | 1.407 | .122 | .126 ^{+0.010} / _{+0.000} | 1.120 ^{+0.000} / _{-0.002} | 1.407 ^{+0.005} / _{+0.000} | 22.37 |
| KR-12501V | 1-1/4 | 1.537 | .122 | .126 ^{+0.010} / _{+0.000} | 1.250 ^{+0.000} / _{-0.002} | 1.537 ^{+0.005} / _{+0.000} | 26.03 |
| KR-12502V | 1-1/4 | 1.671 | .155 | .166 ^{+0.010} / _{+0.000} | 1.250 ^{+0.000} / _{-0.003} | 1.671 ^{+0.005} / _{+0.000} | 27.69 |
| KR-13702V | 1-3/8 | 1.791 | .155 | .166 ^{+0.010} / _{+0.000} | 1.370 ^{+0.000} / _{-0.003} | 1.791 ^{+0.005} / _{+0.000} | 30.23 |
| KR-15001V | 1-1/2 | 1.787 | .122 | .126 ^{+0.010} / _{+0.000} | 1.500 ^{+0.000} / _{-0.002} | 1.787 ^{+0.005} / _{+0.000} | 25.37 |
| KR-15002V | 1-1/2 | 1.921 | .155 | .166 ^{+0.010} / _{+0.000} | 1.500 ^{+0.000} / _{-0.003} | 1.921 ^{+0.005} / _{+0.000} | 30.23 |
| KR-15003V | 1-1/2 | 2.094 | .235 | .247 ^{+0.010} / _{+0.000} | 1.500 ^{+0.000} / _{-0.004} | 2.094 ^{+0.005} / _{+0.000} | 19.49 |
| KR-17501V | 1-3/4 | 2.037 | .122 | .126 ^{+0.010} / _{+0.000} | 1.750 ^{+0.000} / _{-0.002} | 2.037 ^{+0.005} / _{+0.000} | 51.40 |
| KR-17502V | 1-3/4 | 2.171 | .155 | .166 ^{+0.010} / _{+0.000} | 1.750 ^{+0.000} / _{-0.003} | 2.171 ^{+0.005} / _{+0.000} | 31.55 |
| KR-17503V | 1-3/4 | 2.344 | .235 | .247 ^{+0.010} / _{+0.000} | 1.750 ^{+0.000} / _{-0.004} | 2.344 ^{+0.005} / _{+0.000} | 32.29 |
| KR-18702V | 1-7/8 | 2.291 | .155 | .166 ^{+0.010} / _{+0.000} | 1.870 ^{+0.000} / _{-0.003} | 2.291 ^{+0.005} / _{+0.000} | 27.10 |
| KR-20002V | 2 | 2.421 | .155 | .166 ^{+0.010} / _{+0.000} | 2.000 ^{+0.000} / _{-0.003} | 2.421 ^{+0.005} / _{+0.000} | 33.97 |
| KR-20003V | 2 | 2.594 | .235 | .247 ^{+0.010} / _{+0.000} | 2.000 ^{+0.000} / _{-0.004} | 2.594 ^{+0.005} / _{+0.000} | 36.56 |
| KR-21202V | 2-1/8 | 2.541 | .155 | .166 ^{+0.010} / _{+0.000} | 2.120 ^{+0.000} / _{-0.003} | 2.541 ^{+0.005} / _{+0.000} | 35.91 |
| KR-22502V | 2-1/4 | 2.671 | .155 | .166 ^{+0.010} / _{+0.000} | 2.250 ^{+0.000} / _{-0.003} | 2.671 ^{+0.005} / _{+0.000} | 37.98 |

FORMERLY LISTED SEALS ARE AVAILABLE ONLINE AT WWW.HERCULESUS.COM
 OR BY CONTACTING YOUR REGIONAL HERCULES SALES TEAM.



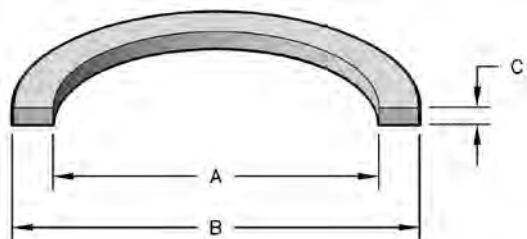
STYLE KR ROD BUFFER SEALS - FLUOROCARBON

ROD BUFFER SEALS

| Part Number | A Nom. ID | B Nom. OD | C Nom. Ht | D GROOVE WIDTH | E ROD DIAMETER | G HOUSING DIAMETER | List Price |
|-------------|--------------|--------------|--------------|--|---|---|---------------|
| KR-25002V | 2-1/2 | 2.921 | .155 | .166 ⁺⁰¹⁰ / ₊₀₀₀ | 2.500 ⁺⁰⁰⁰ / ₋₀₀₃ | 2.921 ⁺⁰⁰⁵ / ₊₀₀₀ | 34.22 |
| KR-25003V | 2-1/2 | 3.094 | .235 | .247 ⁺⁰¹⁰ / ₊₀₀₀ | 2.500 ⁺⁰⁰⁰ / ₋₀₀₄ | 3.094 ⁺⁰⁰⁵ / ₊₀₀₀ | 47.40 |
| KR-26203V | 2-5/8 | 3.214 | .235 | .247 ⁺⁰¹⁰ / ₊₀₀₀ | 2.620 ⁺⁰⁰⁰ / ₋₀₀₄ | 3.214 ⁺⁰⁰⁵ / ₊₀₀₀ | 45.73 |
| KR-27503V | 2-3/4 | 3.344 | .235 | .247 ⁺⁰¹⁰ / ₊₀₀₀ | 2.750 ⁺⁰⁰⁰ / ₋₀₀₄ | 3.344 ⁺⁰⁰⁵ / ₊₀₀₀ | 39.30 |
| KR-30002V | 3 | 3.421 | .155 | .166 ⁺⁰¹⁰ / ₊₀₀₀ | 3.000 ⁺⁰⁰⁰ / ₋₀₀₃ | 3.421 ⁺⁰⁰⁵ / ₊₀₀₀ | 44.53 |
| KR-30003V | 3 | 3.594 | .235 | .247 ⁺⁰¹⁰ / ₊₀₀₀ | 3.000 ⁺⁰⁰⁰ / ₋₀₀₄ | 3.594 ⁺⁰⁰⁵ / ₊₀₀₀ | 55.52 |
| KR-32503V | 3-1/4 | 3.844 | .235 | .247 ⁺⁰¹⁰ / ₊₀₀₀ | 3.250 ⁺⁰⁰⁰ / ₋₀₀₄ | 3.844 ⁺⁰⁰⁵ / ₊₀₀₀ | 56.02 |
| KR-35003V | 3-1/2 | 4.094 | .235 | .247 ⁺⁰¹⁰ / ₊₀₀₀ | 3.500 ⁺⁰⁰⁰ / ₋₀₀₄ | 4.094 ⁺⁰⁰⁵ / ₊₀₀₀ | 56.59 |
| KR-37503V | 3-3/4 | 4.344 | .235 | .247 ⁺⁰¹⁰ / ₊₀₀₀ | 3.750 ⁺⁰⁰⁰ / ₋₀₀₄ | 4.344 ⁺⁰⁰⁵ / ₊₀₀₀ | 73.72 |
| KR-40002V | 4 | 4.421 | .155 | .166 ⁺⁰¹⁰ / ₊₀₀₀ | 4.000 ⁺⁰⁰⁰ / ₋₀₀₃ | 4.421 ⁺⁰⁰⁵ / ₊₀₀₀ | 69.99 |
| KR-40003V | 4 | 4.594 | .235 | .247 ⁺⁰¹⁰ / ₊₀₀₀ | 4.000 ⁺⁰⁰⁰ / ₋₀₀₄ | 4.594 ⁺⁰⁰⁵ / ₊₀₀₀ | 78.02 |
| KR-45003V | 4-1/2 | 5.094 | .235 | .247 ⁺⁰¹⁰ / ₊₀₀₀ | 4.500 ⁺⁰⁰⁰ / ₋₀₀₄ | 5.094 ⁺⁰⁰⁵ / ₊₀₀₀ | 96.96 |
| KR-45004V | 4-1/2 | 5.307 | .305 | .320 ⁺⁰¹⁰ / ₊₀₀₀ | 4.500 ⁺⁰⁰⁰ / ₋₀₀₅ | 5.307 ⁺⁰⁰⁵ / ₊₀₀₀ | 92.92 |
| KR-47503V | 4-3/4 | 5.344 | .235 | .247 ⁺⁰¹⁰ / ₊₀₀₀ | 4.750 ⁺⁰⁰⁰ / ₋₀₀₄ | 5.344 ⁺⁰⁰⁵ / ₊₀₀₀ | 100.12 |
| KR-50003V | 5 | 5.594 | .235 | .247 ⁺⁰¹⁰ / ₊₀₀₀ | 5.000 ⁺⁰⁰⁰ / ₋₀₀₄ | 5.594 ⁺⁰⁰⁵ / ₊₀₀₀ | 103.16 |
| KR-50004V | 5 | 5.807 | .305 | .320 ⁺⁰¹⁰ / ₊₀₀₀ | 5.000 ⁺⁰⁰⁰ / ₋₀₀₅ | 5.807 ⁺⁰⁰⁵ / ₊₀₀₀ | 103.88 |
| KR-55004V | 5-1/2 | 6.307 | .305 | .320 ⁺⁰¹⁰ / ₊₀₀₀ | 5.500 ⁺⁰⁰⁰ / ₋₀₀₅ | 6.307 ⁺⁰⁰⁵ / ₊₀₀₀ | 109.58 |
| KR-57504V | 5-3/4 | 6.557 | .305 | .320 ⁺⁰¹⁰ / ₊₀₀₀ | 5.750 ⁺⁰⁰⁰ / ₋₀₀₅ | 6.557 ⁺⁰⁰⁵ / ₊₀₀₀ | 98.69 |
| KR-60003V | 6 | 6.594 | .235 | .247 ⁺⁰¹⁰ / ₊₀₀₀ | 6.000 ⁺⁰⁰⁰ / ₋₀₀₄ | 6.594 ⁺⁰⁰⁵ / ₊₀₀₀ | 94.73 |
| KR-60004V | 6 | 6.807 | .305 | .320 ⁺⁰¹⁰ / ₊₀₀₀ | 6.000 ⁺⁰⁰⁰ / ₋₀₀₅ | 6.807 ⁺⁰⁰⁵ / ₊₀₀₀ | 98.65 |
| KR-65003V | 6-1/2 | 7.094 | .235 | .247 ⁺⁰¹⁰ / ₊₀₀₀ | 6.500 ⁺⁰⁰⁰ / ₋₀₀₄ | 7.094 ⁺⁰⁰⁵ / ₊₀₀₀ | 49.33 |
| KR-67504V | 6-3/4 | 7.557 | .305 | .320 ⁺⁰¹⁰ / ₊₀₀₀ | 6.750 ⁺⁰⁰⁰ / ₋₀₀₅ | 7.557 ⁺⁰⁰⁵ / ₊₀₀₀ | 122.31 |
| KR-70003V | 7 | 7.594 | .235 | .247 ⁺⁰¹⁰ / ₊₀₀₀ | 7.000 ⁺⁰⁰⁰ / ₋₀₀₄ | 7.594 ⁺⁰⁰⁵ / ₊₀₀₀ | 113.38 |
| KR-90004V | 9 | 9.807 | .305 | .320 ⁺⁰¹⁰ / ₊₀₀₀ | 9.000 ⁺⁰⁰⁰ / ₋₀₀₅ | 9.807 ⁺⁰⁰⁵ / ₊₀₀₀ | 136.08 |

STYLE RBS ROD BUFFER SEALS

The RBS style rod buffer seals are a rectangular urethane buffer ring designed to absorb pressure fluctuations to protect the primary rod seal. Some sizes include a radial and axial slot, which faces the pressure, to relieve back pressure between the primary and buffer seal. This simple design is commonly found on older construction equipment.



HERCULES PART NUMBERS

RBS - 1.2 X 1.6
 Type of Seal Inside Diameter Outside Diameter

SL = SLOTTED

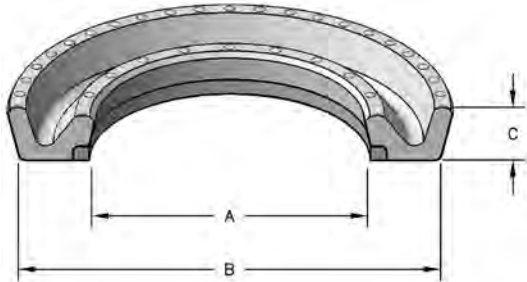
SEAL INFORMATION

| | |
|-------------------|-----------------|
| MATERIAL | 92A URETHANE |
| TEMPERATURE RANGE | -40° TO +200° F |
| PRESSURE RANGE | 0 TO 5,000 PSI |
| SPEED | 3 FT/SEC |

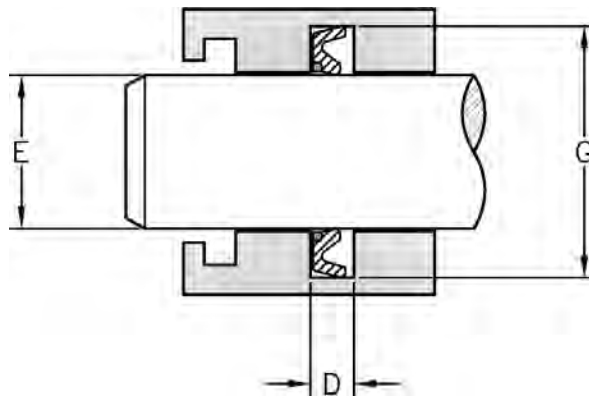
| Part Number | A Nom. ID | B Nom. OD | C Nom. Ht | E ROD DIAMETER | List Price |
|----------------------|--------------|--------------|--------------|----------------------|------------|
| RBS-1.2X1.6 | 1-1/4 | 1.62 | .118 | 1.250 | \$13.44 |
| RBS-1.25X1.77SL | 1-1/4 | 1.77 | .114 | 1.250 | 4.34 |
| RBS-1.50X2.00SL | 1-1/2 | 2 | .118 | 1.500 | 5.29 |
| RBS-1.75X2.25SL | 1-3/4 | 2-1/4 | .118 | 1.750 | 6.97 |
| RBS-2.00X2.50SL | 2 | 2-1/2 | .115 | 2.000 | 6.25 |
| RBS-2.25X2.87SL | 2-1/4 | 2.87 | .19 | 2.250 | 9.41 |
| RBS-2.50X3.12SL | 2-1/2 | 3.124 | 3/16 | 2.500 | 7.57 |
| RBS-3.00X3.62SL | 3 | 3.62 | .19 | 3.000 | 14.13 |
| RBS-4.0X4.4X.19 | 4 | 4.38 | .19 | 4.000 | 5.50 |
| RBS-4.5X5.2X.17 | 4-1/2 | 5.22 | .17 | 4.500 | 19.28 |
| RBS-6X6.7X.17 | 6 | 6.72 | .17 | 6.000 | 24.50 |
| RBS-7.5X8.2X.17 | 7-1/2 | 8.22 | .17 | 7.500 | 26.60 |
| RBS-10.45X11.20X.185 | 10.456 | 11.2 | .185 | 10.500 | 32.67 |

CATERPILLAR® SPECIFIC BUFFER SEALS - DYP STYLE

These lip-type buffer seals are designed for replacement in Caterpillar® cylinders. The hinged-lip design reduces friction, heat, and wear under low-pressure conditions and acts as a check valve allowing back-pressure relief. Seals for rod sizes 2-1/8" and under do not have a back-up ring.



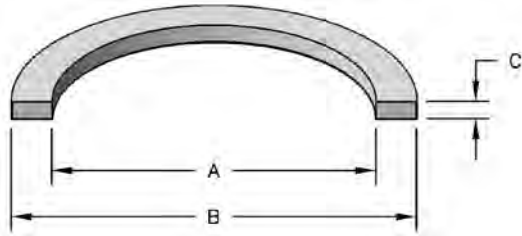
| SEAL INFORMATION | |
|-------------------|--------------------|
| MATERIAL | URETHANE |
| TEMPERATURE RANGE | -22° TO +230° F |
| PRESSURE RANGE | 0 TO 6,000 PSI |
| SPEED | 3 FT/SEC 12 FT/SEC |



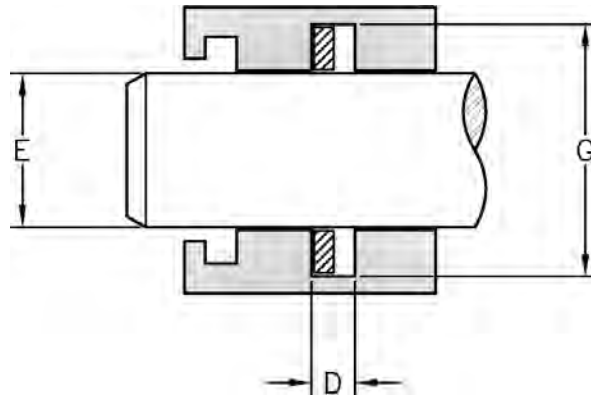
| Part Number | A Nom. ID | B Nom. OD | C Nom. Ht | D GROOVE WIDTH | E ROD DIAMETER | G HOUSING DIAMETER | List Price |
|-------------|--------------|--------------|--------------|----------------------|----------------------|--------------------------|---------------|
| CTC-1672186 | 1-1/2 | 2 | .115 | .140 ±.005 | 1.500 | 2.033 ±.005 | \$2.76 |
| CTC-1672190 | 1-3/4 | 2-5/16 | .115 | .140 ±.005 | 1.750 | 2.283 ±.005 | 4.29 |
| CTC-1672192 | 1-7/8 | 2-1/4 | .115 | .140 ±.005 | 1.875 | 2.252 ±.005 | 6.64 |
| CTC-1672195 | 2 | 2-9/16 | .115 | .140 ±.005 | 2.000 | 2.533 ±.005 | 3.49 |
| CTC-1672198 | 2-1/8 | 2-5/8 | .115 | .140 ±.005 | 2.125 | 2.627 ±.005 | 5.44 |
| CTC-1672200 | 2-1/4 | 2-7/8 | .21 | .220 ±.005 | 2.250 | 2.891 ±.005 | 4.67 |
| CTC-1672202 | 2-3/8 | 3 | .21 | .220 ±.005 | 2.375 | 3.016 ±.005 | 6.14 |
| CTC-1672201 | 2-1/2 | 3-3/16 | .21 | .220 ±.005 | 2.500 | 3.141 ±.005 | 5.27 |
| CTC-1672207 | 2-3/4 | 3-3/8 | .21 | .220 ±.005 | 2.750 | 3.391 ±.005 | 7.21 |
| CTC-1672208 | 3 | 3-5/8 | .21 | .220 ±.005 | 3.000 | 3.641 ±.005 | 8.53 |
| CTC-1672209 | 3-1/4 | 3-7/8 | .21 | .220 ±.005 | 3.250 | 3.891 ±.005 | 7.75 |
| CTC-1672211 | 3-1/2 | 4-3/16 | .21 | .220 ±.005 | 3.500 | 4.141 ±.005 | 8.17 |
| CTC-1672214 | 3-3/4 | 4-3/8 | .21 | .220 ±.005 | 3.750 | 4.391 ±.005 | 9.26 |
| CTC-1672216 | 4 | 4-5/8 | .21 | .220 ±.005 | 4.000 | 4.641 ±.005 | 10.91 |
| CTC-1672218 | 4-1/4 | 5-1/4 | .235 | .250 ±.005 | 4.250 | 5.225 ±.005 | 214.01 |
| CTC-1672221 | 4-3/4 | 5-3/4 | .235 | .250 ±.005 | 4.750 | 5.725 ±.005 | 227.41 |

CATERPILLAR® SPECIFIC BUFFER SEALS - 1 PIECE

See Caterpillar® heading in kit catalog for more Caterpillar® replacement parts.



| SEAL INFORMATION | |
|-------------------|--------------------|
| MATERIAL | 92A URETHANE |
| TEMPERATURE RANGE | -40° TO +200° F |
| PRESSURE RANGE | 0 TO 5,000 PSI |
| SPEED | 3 FT/SEC 12 FT/SEC |

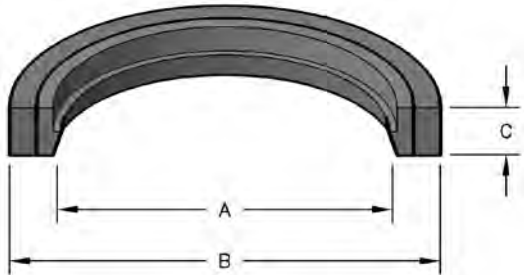


ROD BUFFER SEALS

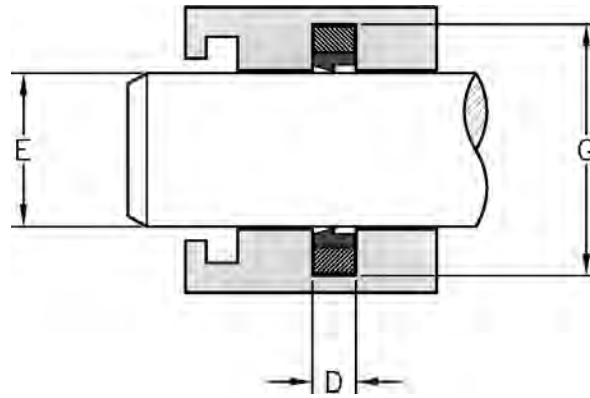
| Part Number | A Nom. ID | B Nom. OD | C Nom. Ht | D GROOVE WIDTH | E ROD DIAMETER | G HOUSING DIAMETER | List Price |
|-------------|--------------|--------------|--------------|----------------------|----------------------|--------------------------|---------------|
| CTC-5P4673 | 7/8 | 1-1/4 | .115 | .140 ±.005 | .875 | 1.240 ±.005 | \$4.15 |
| CTC-9J3497 | 1-1/4 | 1-13/16 | .115 | .140 ±.005 | 1.250 | 1.783 ±.005 | 4.40 |
| CTC-6J9733 | 1-1/2 | 2-1/16 | .115 | .140 ±.005 | 1.500 | 2.033 ±.005 | 5.48 |
| CTC-6J9178 | 1-3/4 | 2-5/16 | .115 | .140 ±.005 | 1.750 | 2.283 ±.005 | 4.70 |
| CTC-4T6778 | 1-7/8 | 2-1/4 | .115 | .140 ±.005 | 1.875 | 2.252 ±.005 | 12.76 |
| CTC-6J6917 | 2 | 2-9/16 | .115 | .140 ±.005 | 2.000 | 2.533 ±.005 | 4.39 |
| CTC-4T6127 | 2-1/8 | 2-5/8 | .115 | .140 ±.005 | 2.125 | 2.627 ±.005 | 5.92 |
| CTC-5J3616 | 2-1/4 | 2-15/16 | .188 | .220 ±.005 | 2.250 | 2.891 ±.005 | 6.64 |
| CTC-6J6916 | 2-3/8 | 3-1/16 | .188 | .220 ±.005 | 2.375 | 3.016 ±.005 | 5.93 |
| CTC-5J3620 | 2-1/2 | 3-3/16 | .188 | .220 ±.005 | 2.500 | 3.141 ±.005 | 5.54 |
| CTC-1U4020 | 2-5/8 | 3-1/4 | .21 | .220 ±.005 | 2.625 | 3.266 ±.005 | 10.60 |
| CTC-6J6553 | 2-3/4 | 3-7/16 | .188 | .220 ±.005 | 2.750 | 3.391 ±.005 | 6.51 |
| CTC-6J6915 | 3 | 3-5/8 | .188 | .220 ±.005 | 3.000 | 3.641 ±.005 | 7.53 |
| CTC-6J7167 | 3-1/4 | 3-15/16 | .188 | .220 ±.005 | 3.250 | 3.891 ±.005 | 7.13 |
| CTC-6J6736 | 3-1/2 | 4-3/16 | .188 | .220 ±.005 | 3.500 | 4.141 ±.005 | 8.36 |
| CTC-8J6070 | 3-3/4 | 4-7/16 | .188 | .220 ±.005 | 3.750 | 4.391 ±.005 | 9.45 |
| CTC-8J4627 | 4 | 4-11/16 | .188 | .220 ±.005 | 4.000 | 4.641 ±.005 | 13.70 |
| CTC-7J8943 | 4-1/4 | 5-1/4 | .218 | .250 ±.005 | 4.250 | 5.225 ±.005 | 9.63 |
| CTC-3G5055 | 4-3/8 | 5-1/4 | .218 | .250 ±.005 | 4.375 | 5.225 ±.005 | 8.95 |
| CTC-7J9257 | 4-3/4 | 5-3/4 | .218 | .250 ±.005 | 4.750 | 5.725 ±.005 | 12.57 |
| CTC-8J4509 | 5 | 6 | .221 | .250 ±.005 | 5.000 | 5.960 ±.005 | 13.02 |
| CTC-6J8631 | 6-1/2 | 7-9/16 | .218 | .250 ±.005 | 6.500 | 7.502 ±.005 | 16.79 |
| CTC-9J2495 | 7 | 8 | .22 | .250 ±.005 | 7.000 | 7.945 ±.005 | 22.17 |

CATERPILLAR® SPECIFIC BUFFER SEALS - 2 PIECE

See Caterpillar® heading in kit catalog for more Caterpillar® replacement parts.



| SEAL INFORMATION | |
|-------------------|---|
| MATERIAL | BRONZE FILLED PTFE SEAL RUBBER ENERGIZER |
| TEMPERATURE RANGE | -40° TO +220° F |
| PRESSURE RANGE | 0 TO 5,000 PSI |
| SPEED | 3 FT/SEC 12 FT/SEC |

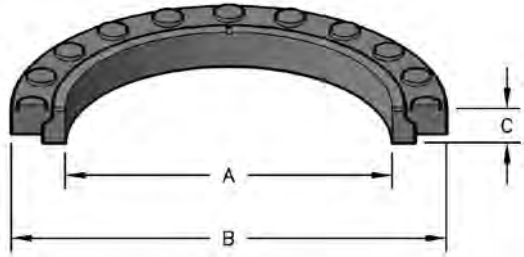


ROD BUFFER SEALS

| Part Number | A Nom. ID | B Nom. OD | C Nom. Ht | D GROOVE WIDTH | E ROD DIAMETER | G HOUSING DIAMETER | List Price |
|-------------|--------------|--------------|--------------|----------------------|----------------------|--------------------------|---------------|
| CTC-8C9122 | 1-1/2 | 2-1/16 | .128 | .140 ±.005 | 1.500 | 2.033 ±.005 | \$14.69 |
| CTC-8C9123 | 1-3/4 | 2-5/16 | .128 | .140 ±.005 | 1.750 | 2.283 ±.005 | 15.66 |
| CTC-9X3566 | 1-7/8 | 2-1/4 | .128 | .140 ±.005 | 1.875 | 2.252 ±.005 | 15.79 |
| CTC-8C9124 | 2 | 2-9/16 | .128 | .140 ±.005 | 2.000 | 2.533 ±.005 | 17.14 |
| CTC-9X3568 | 2-1/8 | 2-5/8 | .128 | .140 ±.005 | 2.125 | 2.627 ±.005 | 19.61 |
| CTC-8C9125 | 2-1/4 | 2-7/8 | .2 | .220 ±.005 | 2.250 | 2.891 ±.005 | 22.08 |
| CTC-8C9138 | 2-3/8 | 3 | .2 | .220 ±.005 | 2.375 | 3.016 ±.005 | 24.59 |
| CTC-8C3839 | 2-1/2 | 3-1/8 | .2 | .220 ±.005 | 2.500 | 3.141 ±.005 | 20.44 |
| CTC-9T9363 | 2-5/8 | 3-1/4 | .2 | .220 ±.005 | 2.625 | 3.266 ±.005 | 23.69 |
| CTC-8C3841 | 2-3/4 | 3-3/8 | .2 | .220 ±.005 | 2.750 | 3.391 ±.005 | 26.06 |
| CTC-8C9126 | 3 | 3-11/16 | .2 | .220 ±.005 | 3.000 | 3.641 ±.005 | 17.31 |
| CTC-8C9121 | 3-1/4 | 3-7/8 | .2 | .220 ±.005 | 3.250 | 3.891 ±.005 | 25.96 |
| CTC-8C9127 | 3-1/2 | 4-3/16 | .2 | .220 ±.005 | 3.500 | 4.141 ±.005 | 31.38 |
| CTC-8C9128 | 3-3/4 | 4-3/8 | .2 | .220 ±.005 | 3.750 | 4.391 ±.005 | 33.27 |
| CTC-8C9129 | 4 | 4-5/8 | .2 | .220 ±.005 | 4.000 | 4.641 ±.005 | 35.09 |
| CTC-8C9144 | 4-1/2 | 5-1/2 | .23 | .250 ±.005 | 4.500 | 5.475 ±.005 | 48.14 |
| CTC-8C9130 | 7 | 7-15/16 | .23 | .250 ±.005 | 7.000 | 7.945 ±.005 | 65.32 |

STYLE BRS BUFFER SEALS

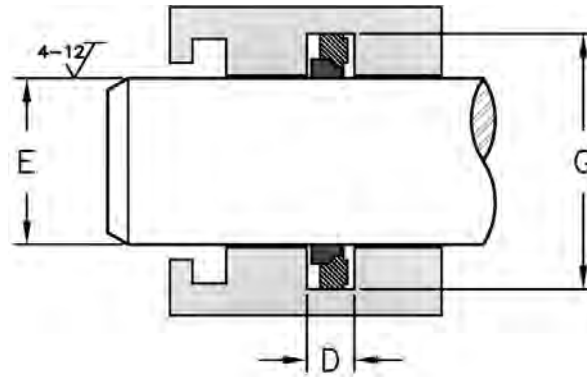
Molded in Bronze filled PTFE with a rubber energizer, this heavy duty buffer seal is ideal for heavy duty service to protect the primary seal from damage caused by pressure spikes and excessive heat build up.



HERCULES PART NUMBERS

BRS - 175 02
 Type of Seal: BRS
 Nominal Seal ID: 175
 O-Ring Cross Section: 02

| SEAL INFORMATION | |
|-------------------|--------------------------------------|
| MATERIAL | BRONZE PTFE BUFFER, RUBBER ENERGIZER |
| TEMPERATURE RANGE | -40° TO +220° F |
| PRESSURE RANGE | 0 TO 5,000 PSI |
| SPEED | 15 FT/SEC |



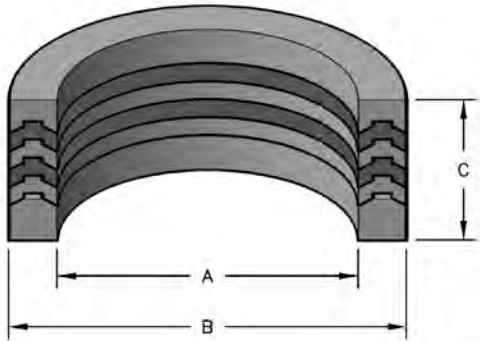
ROD BUFFER SEALS

| Part Number | A Nom. ID | B Nom. OD | C Nom. Ht | D GROOVE WIDTH | E ROD DIAMETER | G HOUSING DIAMETER | List Price |
|-------------|--------------|--------------|--------------|--|---|---|---------------|
| BRS-17502 | 1-3/4 | 2.174 | .166 | .166 ^{+0.010} / _{+0.000} | 1.750 ^{+0.000} / _{-0.003} | 2.174 ^{+0.004} / _{+0.000} | \$27.41 |
| BRS-20003 | 2 | 2.616 | .247 | .247 ^{+0.010} / _{+0.000} | 2.000 ^{+0.000} / _{-0.004} | 2.616 ^{+0.005} / _{+0.000} | 36.27 |
| BRS-25003 | 2-1/2 | 3.116 | .247 | .247 ^{+0.010} / _{+0.000} | 2.500 ^{+0.000} / _{-0.004} | 3.116 ^{+0.005} / _{+0.000} | 41.39 |
| BRS-27503 | 2-3/4 | 3.366 | .247 | .247 ^{+0.010} / _{+0.000} | 2.750 ^{+0.000} / _{-0.004} | 3.366 ^{+0.005} / _{+0.000} | 42.67 |
| BRS-30003 | 3 | 3.616 | .247 | .247 ^{+0.010} / _{+0.000} | 3.000 ^{+0.000} / _{-0.004} | 3.616 ^{+0.005} / _{+0.000} | 44.01 |
| BRS-32503 | 3-1/4 | 3.866 | .247 | .247 ^{+0.010} / _{+0.000} | 3.250 ^{+0.000} / _{-0.004} | 3.866 ^{+0.005} / _{+0.000} | 45.01 |
| BRS-35003 | 3-1/2 | 4.116 | .247 | .247 ^{+0.010} / _{+0.000} | 3.500 ^{+0.000} / _{-0.004} | 4.116 ^{+0.005} / _{+0.000} | 47.08 |
| BRS-40003 | 4 | 4.616 | .247 | .247 ^{+0.010} / _{+0.000} | 4.000 ^{+0.000} / _{-0.004} | 4.616 ^{+0.005} / _{+0.000} | 50.87 |
| BRS-45003 | 4-1/2 | 5.116 | .247 | .247 ^{+0.010} / _{+0.000} | 4.500 ^{+0.000} / _{-0.004} | 5.116 ^{+0.005} / _{+0.000} | 54.65 |
| BRS-50003 | 5 | 5.616 | .247 | .247 ^{+0.010} / _{+0.000} | 5.000 ^{+0.000} / _{-0.004} | 5.616 ^{+0.005} / _{+0.000} | 65.23 |



HYDROLOCK VEE PACKING SETS

These vee sets utilize hytrel & nylon vees to cover pressure from 0 to 6,000 psi and provide excellent extrusion resistance. Male & female bearings are molded from glass filled nylon. **NOTE:** These vee sets do not contain guidelock bearings. They are sold separately as shown on the next page.



HERCULES PART NUMBERS

HDLV 1741 - 275 - 100FB

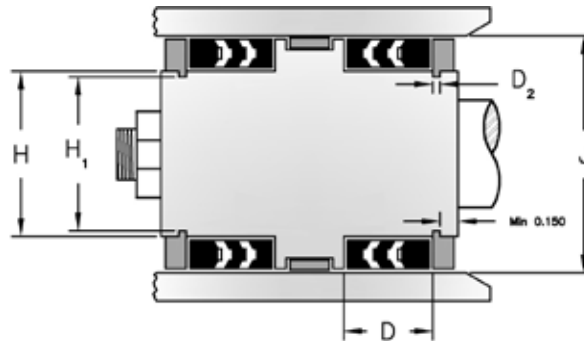
Type of Seal | # of Vees | Outside Diameter | Bearing Height

1740 = 3 VEES
1741 = 4 VEES
1742 = 5 VEES

SEAL INFORMATION

| | |
|-------------------|-----------------|
| MATERIAL | HYTREL & NYLON |
| TEMPERATURE RANGE | -40° TO +220° F |
| PRESSURE RANGE | 0 TO 6,000 PSI |
| SPEED | 1.5 FT/SEC |

FB= FEMALE BEARING



| Part Number | A Nom. ID | B Nom. OD | C Nom. Ht | D GROOVE WIDTH | H GROOVE DIAMETER | H ₁ BEARING GROOVE DIAMETER | J BORE DIAMETER | D ₂ BASE GROOVE WIDTH | List Price |
|---------------------|-----------|-----------|-----------|----------------|---|---|--|--|------------|
| HDLV-1741-175 | 1-1/4 | 1-3/4 | .82 | .820 ±.005 | 1.250 ^{+0.00} / _{-.005} | N/A | 1.750 ^{+0.01} / _{+0.000} | N/A | \$43.73 |
| HDLV-1742-200 | 1-1/2 | 2 | 1 | 1.000 ±.005 | 1.500 ^{+0.00} / _{-.005} | 1.375 ^{+0.00} / _{-.003} | 2.000 ^{+0.01} / _{+0.000} | .252 ^{+0.005} / _{+0.000} | 52.39 |
| HDLV-1742-225 | 1-3/4 | 2-1/4 | 1 | 1.000 ±.005 | 1.750 ^{+0.00} / _{-.005} | 1.500 ^{+0.00} / _{-.003} | 2.250 ^{+0.01} / _{+0.000} | .252 ^{+0.005} / _{+0.000} | 38.67 |
| HDLV-1742-250 | 2 | 2-1/2 | 1 | 1.000 ±.005 | 2.000 ^{+0.00} / _{-.005} | 1.750 ^{+0.00} / _{-.003} | 2.500 ^{+0.01} / _{+0.000} | .252 ^{+0.005} / _{+0.000} | 40.23 |
| HDLV-1742-250-100FB | 2 | 2-1/2 | 1-3/4 | 1.750 ±.005 | 2.000 ^{+0.00} / _{-.005} | 1.750 ^{+0.00} / _{-.003} | 2.500 ^{+0.01} / _{+0.000} | .252 ^{+0.005} / _{+0.000} | 74.01 |
| HDLV-275-200-175 | 2 | 2-3/4 | 1-3/4 | 1.750 ±.005 | 2.000 ^{+0.00} / _{-.005} | N/A | 2.750 ^{+0.01} / _{+0.000} | N/A | 73.91 |
| HDLV-1742-275 | 2-1/4 | 2-3/4 | 1 | 1.000 ±.005 | 2.250 ^{+0.00} / _{-.005} | 2.000 ^{+0.00} / _{-.003} | 2.750 ^{+0.01} / _{+0.000} | .252 ^{+0.005} / _{+0.000} | 45.79 |
| HDLV-1741-275-100FB | 2-1/4 | 2-3/4 | 1-5/8 | 1.625 ±.005 | 2.250 ^{+0.00} / _{-.005} | 2.250 ^{+0.00} / _{-.008} | 2.750 ^{+0.01} / _{+0.000} | .252 ^{+0.005} / _{+0.000} | 74.35 |
| HDLV-1742-275-100FB | 2-1/4 | 2-3/4 | 1-3/4 | 1.750 ±.005 | 2.250 ^{+0.00} / _{-.005} | 2.000 ^{+0.00} / _{-.003} | 2.750 ^{+0.01} / _{+0.000} | .252 ^{+0.005} / _{+0.000} | 66.87 |
| HDLV-300-250-082 | 2-1/2 | 3 | 13/16 | .813 ±.005 | 2.500 ^{+0.00} / _{-.005} | N/A | 3.000 ^{+0.01} / _{+0.000} | N/A | 40.33 |
| HDLV-300-250-087 | 2-1/2 | 3 | 7/8 | .875 ±.005 | 2.500 ^{+0.00} / _{-.005} | N/A | 3.000 ^{+0.01} / _{+0.000} | N/A | 43.93 |
| HDLV-1742-300 | 2-1/2 | 3 | 1 | 1.000 ±.005 | 2.500 ^{+0.00} / _{-.005} | 2.250 ^{+0.00} / _{-.003} | 3.000 ^{+0.01} / _{+0.000} | .252 ^{+0.005} / _{+0.000} | 39.51 |
| HDLV-1741-300-050FB | 2-1/2 | 3 | 1-1/8 | 1.125 ±.005 | 2.500 ^{+0.00} / _{-.005} | 2.250 ^{+0.00} / _{-.003} | 3.000 ^{+0.01} / _{+0.000} | .252 ^{+0.005} / _{+0.000} | 46.38 |
| HDLV-1742-300-100FB | 2-1/2 | 3 | 1-3/4 | 1.750 ±.005 | 2.500 ^{+0.00} / _{-.005} | 2.250 ^{+0.00} / _{-.003} | 3.000 ^{+0.01} / _{+0.000} | .252 ^{+0.005} / _{+0.000} | 93.31 |
| HDLV-1742-312-100FB | 2-1/2 | 3-1/8 | 1-11/16 | 1.687 ±.005 | 2.500 ^{+0.00} / _{-.005} | N/A | 3.125 ^{+0.01} / _{+0.000} | N/A | 123.23 |

NORTH AMERICA
PHONE 1-800-777-5617
FAX 1-800-759-6391

SALES OFFICE HOURS
8 A.M. TO 7:30 P.M. EASTERN TIME
www.HerculesUS.com

WORLDWIDE
PHONE 1-727-796-1300
FAX 1-727-797-8849



HYDROLOCK VEE PACKING SETS

VEE PACKING SETS

| Part Number | A Nom. ID | B Nom. OD | C Nom. Ht | D GROOVE WIDTH | H GROOVE DIAMETER | H ₁ BEARING GROOVE DIAMETER | J BORE DIAMETER | D ₂ BASE GROOVE WIDTH | List Price |
|---------------------|-----------|-----------|-----------|----------------|---|---|--|--|------------|
| HDLV-1742-325 | 2-3/4 | 3-1/4 | 1 | 1.000 ±.005 | 2.750 ^{+0.00} _{-.005} | 2.500 ^{+0.00} _{-.003} | 3.250 ^{+0.01} _{+0.000} | .252 ^{+0.005} _{+0.000} | 46.38 |
| HDLV-1742-325-100FB | 2-3/4 | 3-1/4 | 1-3/4 | 1.750 ±.005 | 2.750 ^{+0.00} _{-.005} | 2.500 ^{+0.00} _{-.003} | 3.250 ^{+0.01} _{+0.000} | .252 ^{+0.005} _{+0.000} | 73.53 |
| HDLV-1740-350 | 3 | 3-1/2 | 3/4 | .750 ±.005 | 3.000 ^{+0.00} _{-.005} | 2.750 ^{+0.00} _{-.003} | 3.500 ^{+0.01} _{+0.000} | .252 ^{+0.005} _{+0.000} | 30.60 |
| HDLV-350-300-082 | 3 | 3-1/2 | 13/16 | .813 ±.005 | 3.000 ^{+0.00} _{-.005} | N/A | 3.500 ^{+0.01} _{+0.000} | N/A | 40.82 |
| HDLV-1742-350 | 3 | 3-1/2 | 1 | 1.000 ±.005 | 3.000 ^{+0.00} _{-.005} | 2.750 ^{+0.00} _{-.003} | 3.500 ^{+0.01} _{+0.000} | .252 ^{+0.005} _{+0.000} | 48.73 |
| HDLV-1741-350-050FB | 3 | 3-1/2 | 1-1/8 | 1.125 ±.005 | 3.000 ^{+0.00} _{-.005} | 2.750 ^{+0.00} _{-.003} | 3.500 ^{+0.01} _{+0.000} | .252 ^{+0.005} _{+0.000} | 83.63 |
| HDLV-1742-350-100FB | 3 | 3-1/2 | 1-3/4 | 1.750 ±.005 | 3.000 ^{+0.00} _{-.005} | 2.750 ^{+0.00} _{-.003} | 3.500 ^{+0.01} _{+0.000} | .252 ^{+0.005} _{+0.000} | 111.82 |
| HDLV-375-300-175 | 3 | 3-3/4 | 1-3/4 | 1.750 ±.005 | 3.000 ^{+0.00} _{-.005} | N/A | 3.750 ^{+0.01} _{+0.000} | N/A | 85.14 |
| HDLV-1742-375 | 3-1/4 | 3-3/4 | 1 | 1.000 ±.005 | 3.250 ^{+0.00} _{-.005} | 3.000 ^{+0.00} _{-.003} | 3.750 ^{+0.01} _{+0.000} | .252 ^{+0.005} _{+0.000} | 71.16 |
| HDLV-1740-400 | 3-1/2 | 4 | 3/4 | .750 ±.005 | 3.500 ^{+0.00} _{-.005} | 3.250 ^{+0.00} _{-.003} | 4.000 ^{+0.01} _{+0.000} | .377 ^{+0.005} _{+0.000} | 48.41 |
| HDLV-1742-400 | 3-1/2 | 4 | 1 | 1.000 ±.005 | 3.500 ^{+0.00} _{-.005} | 3.250 ^{+0.00} _{-.003} | 4.000 ^{+0.01} _{+0.000} | .377 ^{+0.005} _{+0.000} | 55.73 |
| HDLV-1741-400-050FB | 3-1/2 | 4 | 1-1/8 | 1.125 ±.005 | 3.500 ^{+0.00} _{-.005} | 3.250 ^{+0.00} _{-.003} | 4.000 ^{+0.01} _{+0.000} | .377 ^{+0.005} _{+0.000} | 68.76 |
| HDLV-1742-400-100FB | 3-1/2 | 4 | 1-3/4 | 1.750 ±.005 | 3.500 ^{+0.00} _{-.005} | 3.250 ^{+0.00} _{-.003} | 4.000 ^{+0.01} _{+0.000} | .377 ^{+0.005} _{+0.000} | 102.47 |
| HDLV-425-350-087 | 3-1/2 | 4-1/4 | 7/8 | .875 ±.005 | 3.500 ^{+0.00} _{-.005} | N/A | 4.250 ^{+0.01} _{+0.000} | N/A | 76.50 |
| HDLV-1741-425-100FB | 3-3/4 | 4-1/4 | 1-5/8 | 1.625 ±.005 | 3.750 ^{+0.00} _{-.005} | 3.500 ^{+0.00} _{-.003} | 4.250 ^{+0.01} _{+0.000} | .377 ^{+0.005} _{+0.000} | 86.30 |
| HDLV-450-400-082 | 4 | 4-1/2 | 13/16 | .813 ±.005 | 4.000 ^{+0.00} _{-.005} | N/A | 4.500 ^{+0.01} _{+0.000} | N/A | 43.55 |
| HDLV-1742-450 | 4 | 4-1/2 | 1 | 1.000 ±.005 | 4.000 ^{+0.00} _{-.005} | 3.750 ^{+0.00} _{-.030} | 4.500 ^{+0.01} _{+0.000} | .377 ^{+0.005} _{+0.000} | 61.43 |
| HDLV-1741-450-050FB | 4 | 4-1/2 | 1-1/8 | 1.125 ±.005 | 4.000 ^{+0.00} _{-.005} | 3.750 ^{+0.00} _{-.003} | 4.500 ^{+0.01} _{+0.000} | .377 ^{+0.005} _{+0.000} | 76.96 |
| HDLV-1742-450-100FB | 4 | 4-1/2 | 1-3/4 | 1.750 ±.005 | 4.000 ^{+0.00} _{-.005} | 3.750 ^{+0.00} _{-.003} | 4.500 ^{+0.01} _{+0.000} | .377 ^{+0.005} _{+0.000} | 102.47 |
| HDLV-503-402-152 | 4.02 | 5.03 | 1.527 | 1.527 ±.005 | 4.020 ^{+0.00} _{-.005} | N/A | 5.030 ^{+0.01} _{+0.000} | N/A | 43.17 |
| HDLV-1740-500 | 4-1/2 | 5 | 3/4 | .750 ±.005 | 4.500 ^{+0.00} _{-.005} | 4.125 ^{+0.00} _{-.003} | 5.000 ^{+0.01} _{+0.000} | .377 ^{+0.005} _{+0.000} | 78.45 |
| HDLV-1741-500 | 4-1/2 | 5 | 7/8 | .875 ±.005 | 4.500 ^{+0.00} _{-.005} | 4.125 ^{+0.00} _{-.003} | 5.000 ^{+0.01} _{+0.000} | .377 ^{+0.005} _{+0.000} | 48.29 |
| HDLV-1742-500 | 4-1/2 | 5 | 1 | 1.000 ±.005 | 4.500 ^{+0.00} _{-.005} | 4.125 ^{+0.00} _{-.003} | 5.000 ^{+0.01} _{+0.000} | .377 ^{+0.005} _{+0.000} | 97.60 |
| HDLV-1741-500-050FB | 4-1/2 | 5 | 1-1/8 | 1.125 ±.005 | 4.500 ^{+0.00} _{-.005} | 4.125 ^{+0.00} _{-.003} | 5.000 ^{+0.01} _{+0.000} | .377 ^{+0.005} _{+0.000} | 72.81 |
| HDLV-1741-500-075FB | 4-1/2 | 5 | 1-3/8 | 1.375 ±.005 | 4.500 ^{+0.00} _{-.005} | 4.125 ^{+0.00} _{-.003} | 5.000 ^{+0.01} _{+0.000} | .377 ^{+0.005} _{+0.000} | 70.61 |
| HDLV-1742-500-100FB | 4-1/2 | 5 | 1-3/4 | 1.750 ±.005 | 4.500 ^{+0.00} _{-.005} | 4.125 ^{+0.00} _{-.003} | 5.000 ^{+0.01} _{+0.000} | .377 ^{+0.005} _{+0.000} | 144.35 |
| HDLV-550-500-082 | 5 | 5-1/2 | 13/16 | .813 ±.005 | 5.000 ^{+0.00} _{-.005} | N/A | 5.500 ^{+0.01} _{+0.000} | N/A | 50.47 |
| HDLV-1742-550 | 5 | 5-1/2 | 1 | 1.000 ±.005 | 5.000 ^{+0.00} _{-.005} | 4.625 ^{+0.00} _{-.003} | 5.500 ^{+0.01} _{+0.000} | .377 ^{+0.005} _{+0.000} | 107.19 |
| HDLV-1742-550-050FB | 5 | 5-1/2 | 1-1/4 | 1.250 ±.005 | 5.000 ^{+0.00} _{-.005} | 4.625 ^{+0.00} _{-.003} | 5.500 ^{+0.01} _{+0.000} | .377 ^{+0.005} _{+0.000} | 102.93 |
| HDLV-603-503-150 | 5.03 | 6.03 | 1-1/2 | 1.500 ±.005 | 5.030 ^{+0.00} _{-.005} | N/A | 6.030 ^{+0.01} _{+0.000} | N/A | 66.18 |
| HDLV-1740-600 | 5-1/2 | 6 | 3/4 | .750 ±.005 | 5.500 ^{+0.00} _{-.005} | 5.125 ^{+0.00} _{-.003} | 6.000 ^{+0.01} _{+0.000} | .377 ^{+0.005} _{+0.000} | 44.91 |
| HDLV-1742-600 | 5-1/2 | 6 | 1 | 1.000 ±.005 | 5.500 ^{+0.00} _{-.005} | 5.125 ^{+0.00} _{-.003} | 6.000 ^{+0.01} _{+0.000} | .377 ^{+0.005} _{+0.000} | 115.74 |
| HDLV-1741-600-050FB | 5-1/2 | 6 | 1-1/8 | 1.125 ±.005 | 5.500 ^{+0.00} _{-.005} | 5.125 ^{+0.00} _{-.003} | 6.000 ^{+0.01} _{+0.000} | .377 ^{+0.005} _{+0.000} | 116.22 |

FORMERLY LISTED SEALS ARE AVAILABLE ONLINE AT WWW.HERCULESUS.COM
OR BY CONTACTING YOUR REGIONAL HERCULES SALES TEAM.



HYDROLOCK VEE PACKING SETS

VEE PACKING SETS

| Part Number | A Nom. ID | B Nom. OD | C Nom. Ht | D GROOVE WIDTH | H GROOVE DIAMETER | H ₁ BEARING GROOVE DIAMETER | J BORE DIAMETER | D ₂ BASE GROOVE WIDTH | List Price |
|---------------------|--------------|--------------|--------------|-------------------|---|---|---|--|------------|
| HDLV-1742-600-100FB | 5-1/2 | 6 | 1-3/4 | 1.750 ±.005 | 5.500 ^{+0.000} / _{-0.005} | 5.125 ^{+0.000} / _{-0.003} | 6.000 ^{+0.010} / _{+0.000} | .377 ^{+0.005} / _{+0.000} | 120.40 |
| HDLV-1740-627 | 5-3/4 | 6.265 | 3/4 | .750 ±.005 | 5.750 ^{+0.000} / _{-0.005} | 5.375 ^{+0.000} / _{-0.003} | 6.265 ^{+0.010} / _{+0.000} | .377 ^{+0.005} / _{+0.000} | 48.56 |
| HDLV-1742-650 | 6 | 6-1/2 | 1 | 1.000 ±.005 | 6.000 ^{+0.000} / _{-0.005} | 5.625 ^{+0.000} / _{-0.003} | 6.500 ^{+0.010} / _{+0.000} | .377 ^{+0.005} / _{+0.000} | 129.98 |
| HDLV-1742-650-050FB | 6 | 6-1/2 | 1-1/4 | 1.250 ±.005 | 6.000 ^{+0.000} / _{-0.005} | 5.625 ^{+0.000} / _{-0.003} | 6.500 ^{+0.010} / _{+0.000} | .377 ^{+0.005} / _{+0.000} | 122.39 |
| HDLV-1742-650-100FB | 6 | 6-1/2 | 1-3/4 | 1.750 ±.005 | 6.000 ^{+0.000} / _{-0.005} | 5.625 ^{+0.000} / _{-0.003} | 6.500 ^{+0.010} / _{+0.000} | .377 ^{+0.005} / _{+0.000} | 132.37 |
| HDLV-703-603-150 | 6.03 | 7.03 | 1-1/2 | 1.500 ±.005 | 6.030 ^{+0.000} / _{-0.005} | N/A | 7.030 ^{+0.010} / _{+0.000} | N/A | 81.13 |
| HDLV-1742-700 | 6-1/2 | 7 | 1 | 1.000 ±.005 | 6.500 ^{+0.000} / _{-0.005} | 6.125 ^{+0.000} / _{-0.003} | 7.000 ^{+0.010} / _{+0.000} | .377 ^{+0.005} / _{+0.000} | 121.92 |
| HDLV-1742-700-100FB | 6-1/2 | 7 | 1-3/4 | 1.750 ±.005 | 6.500 ^{+0.000} / _{-0.005} | 6.125 ^{+0.000} / _{-0.003} | 7.000 ^{+0.010} / _{+0.000} | .377 ^{+0.005} / _{+0.000} | 200.43 |
| HDLV-1741-725 | 6-3/4 | 7-1/4 | 7/8 | .875 ±.005 | 6.750 ^{+0.000} / _{-0.005} | N/A | 7.250 ^{+0.010} / _{+0.000} | N/A | 125.94 |
| HDLV-1742-750 | 7 | 7-1/2 | 1 | 1.000 ±.005 | 7.000 ^{+0.000} / _{-0.005} | 6.625 ^{+0.000} / _{-0.003} | 7.500 ^{+0.010} / _{+0.000} | .377 ^{+0.005} / _{+0.000} | 124.27 |
| HDLV-1742-750-100FB | 7 | 7-1/2 | 1-3/4 | 1.750 ±.005 | 7.000 ^{+0.000} / _{-0.005} | 6.625 ^{+0.000} / _{-0.003} | 7.500 ^{+0.010} / _{+0.000} | .377 ^{+0.005} / _{+0.000} | 207.52 |
| HDLV-800-080 | 7-1/2 | 8 | .8 | .800 ±.005 | 7.500 ^{+0.000} / _{-0.005} | 7.125 ^{+0.000} / _{-0.003} | 8.000 ^{+0.010} / _{+0.000} | .377 ^{+0.005} / _{+0.000} | 136.60 |
| HDLV-1742-800 | 7-1/2 | 8 | 1 | 1.000 ±.005 | 7.500 ^{+0.000} / _{-0.005} | 7.125 ^{+0.000} / _{-0.003} | 8.000 ^{+0.010} / _{+0.000} | .377 ^{+0.005} / _{+0.000} | 144.44 |
| HDLV-1742-800-100FB | 7-1/2 | 8 | 1-3/4 | 1.750 ±.005 | 7.500 ^{+0.000} / _{-0.005} | 7.125 ^{+0.000} / _{-0.003} | 8.000 ^{+0.010} / _{+0.000} | .377 ^{+0.005} / _{+0.000} | 222.37 |
| HDLV-1742-850-100FB | 8 | 8-1/2 | 1-3/4 | 1.750 ±.005 | 8.000 ^{+0.000} / _{-0.005} | 7.625 ^{+0.000} / _{-0.003} | 8.500 ^{+0.010} / _{+0.000} | .377 ^{+0.005} / _{+0.000} | 225.32 |
| HDLV-1742-900 | 8-1/2 | 9 | 1 | 1.000 ±.005 | 8.500 ^{+0.000} / _{-0.005} | 8.125 ^{+0.000} / _{-0.003} | 9.000 ^{+0.010} / _{+0.000} | .377 ^{+0.005} / _{+0.000} | 259.01 |
| HDLV-1742-900-100FB | 8-1/2 | 9 | 1-3/4 | 1.750 ±.005 | 8.500 ^{+0.000} / _{-0.005} | 8.125 ^{+0.000} / _{-0.003} | 9.000 ^{+0.010} / _{+0.000} | .377 ^{+0.005} / _{+0.000} | 277.05 |

GUIDELOCK PISTON BEARINGS

Molded from glass filled nylon, these step-cut bearings also act as retainers for Hydrolock vee sets. The following bore sizes are available.

| Part Number | A Nom. ID | B Nom. OD | C Nom. Ht | List Price |
|-------------|--------------|--------------|--------------|------------|
| HDLG-200 | 1-3/8 | 2 | 5/16 | \$24.82 |
| HDLG-250 | 1-3/4 | 2-1/2 | 3/8 | 30.40 |
| HDLG-300 | 2-1/4 | 3 | 3/8 | 27.85 |
| HDLG-325 | 2-1/2 | 3-1/4 | 3/8 | 28.86 |
| HDLG-350 | 2-3/4 | 3-1/2 | 3/8 | 30.23 |
| HDLG-400 | 3-1/4 | 4 | 1/2 | 38.41 |
| HDLG-450 | 3-3/4 | 4-1/2 | 1/2 | 40.69 |
| HDLG-500 | 4-1/8 | 5 | 1/2 | 43.30 |
| HDLG-550 | 4-5/8 | 5-1/2 | 1/2 | 46.84 |
| HDLG-600 | 5-1/8 | 6 | 1/2 | 51.61 |
| HDLG-627 | 5-3/8 | 6.27 | 1/2 | 60.84 |
| HDLG-650 | 5-5/8 | 6-1/2 | 1/2 | 64.28 |
| HDLG-700 | 6-1/8 | 7 | 1/2 | 66.41 |
| HDLG-750 | 6-5/8 | 7-1/2 | 1/2 | 72.37 |
| HDLG-800 | 7-1/8 | 8 | 1/2 | 76.26 |
| HDLG-900 | 8-1/8 | 9 | 1/2 | 110.39 |

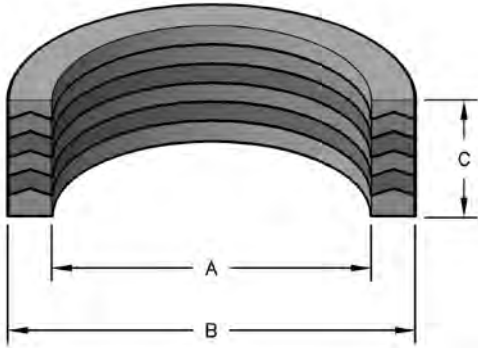
NORTH AMERICA
PHONE 1-800-777-5617
FAX 1-800-759-6391

SALES OFFICE HOURS
8 A.M. TO 7:30 P.M. EASTERN TIME
www.HerculesUS.com

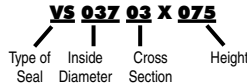
WORLDWIDE
PHONE 1-727-796-1300
FAX 1-727-797-8849

VEE PACKING SETS

Our vee sets are the finest quality available in the industry. While all sets incorporate fabric reinforced rubber pressure rings, one or two urethane rings are included to improve low pressure sealing, when it is feasible. Most sets use nylon adaptors. Properly installed the pressure limits are as follows:



HERCULES PART NUMBERS



3,000 PSI = 4 VEEES
 5,000 PSI = 5 VEEES
 10,000 PSI = 6 VEEES

CONSTRUCTION CODE
 Example: FA-2U-3F-MA

FA - 1 TOP ADAPTOR
 2U - 2 URETHANE VEE RINGS
 2F - 2 FABRIC VEE RINGS
 MA - 1 BOTTOM ADAPTOR

SEAL INFORMATION

| | |
|-------------------|--|
| MATERIAL | FABRIC REINFORCED RUBBER URETHANE RING/NYLON ADAPTORS |
| TEMPERATURE RANGE | -35° TO +220° F |
| PRESSURE RANGE | 0 TO 10,000 PSI |
| SPEED | 1.5 FT/SEC |

U= SPECIAL URETHANE VEE
 H= HYTREL
 W= WIPER INCLUDED

VEE PACKING SETS

| Part Number | A Nom. ID | B Nom. OD | C Nom. Ht | CONSTRUCTION T-V-B | List Price |
|-------------|-----------|-----------|-----------|--------------------|------------|
| VS03703X075 | 3/8 | 3/4 | 3/4 | FA-4F-MA | \$16.73 |
| VS03704X050 | 3/8 | 7/8 | 1/2 | FA-1F-MA | 18.20 |
| VS05003X062 | 1/2 | 7/8 | 5/8 | FA-3F-MA | 8.91 |
| VS05004X075 | 1/2 | 1 | 3/4 | FA-3F-MA | 6.14 |
| VS05004X087 | 1/2 | 1 | 7/8 | FA-4F-MA | 10.85 |
| VS06203X082 | 5/8 | 1 | 13/16 | FA-4F-MA | 11.71 |
| VS06204X100 | 5/8 | 1-1/8 | 1 | FA-5F-MA | 12.40 |
| VS06205X125 | 5/8 | 1-1/4 | 1-1/4 | FA-5F-MA | 39.74 |
| VS07503X075 | 3/4 | 1-1/8 | 3/4 | FA-3F-MA | 15.11 |
| VS07503X082 | 3/4 | 1-1/8 | 13/16 | FA-6F-MA | 19.57 |
| VS07504X068 | 3/4 | 1-1/4 | 11/16 | FA-2F-MA | 12.54 |
| VS07504X100 | 3/4 | 1-1/4 | 1 | FA-5F-MA | 12.40 |
| VS07505X103 | 3/4 | 1-3/8 | 1-1/32 | FA-4F-MA | 11.10 |
| VS07506X112 | 3/4 | 1-1/2 | 1-1/8 | FA-3F-MA | 14.01 |
| VS08104X071 | 13/16 | 1-5/16 | .71 | 4F-MA | 6.81 |
| VS08104X087 | 13/16 | 1-5/16 | 7/8 | FA-4F-MA | 10.40 |
| VS08703X075 | 7/8 | 1-1/4 | 3/4 | FA-3F-MA | 9.93 |
| VS08704X075 | 7/8 | 1-3/8 | 3/4 | FA-3F-MA | 6.63 |
| VS08704X100 | 7/8 | 1-3/8 | 1 | FA-4F-MA | 12.26 |
| VS08705X103 | 7/8 | 1-1/2 | 1-1/32 | FA-4F-MA | 14.58 |
| VS10003X095 | 1 | 1-3/8 | 61/64 | FA-2U-3F-MA | 12.69 |
| VS10003X100 | 1 | 1-3/8 | 1 | FA-6F-MA | 14.01 |
| VS10004X075 | 1 | 1-1/2 | 3/4 | FA-3F-MA | 8.83 |
| VS10004X100 | 1 | 1-1/2 | 1 | FA-5F-MA | 12.33 |
| VS10004X112 | 1 | 1-1/2 | 1-1/8 | FA-6F-MA | 14.16 |
| VS10005X103 | 1 | 1-5/8 | 1-1/32 | FA-4F-MA | 11.10 |
| VS10006X100 | 1 | 1-3/4 | 1 | FA-3F-MA | 14.49 |
| VS10604X100 | 1-1/16 | 1-9/16 | 1 | FA-5F-MA | 116.28 |
| VS11204X087 | 1-1/8 | 1-5/8 | 7/8 | FA-4F-MA | 10.82 |
| VS11205X103 | 1-1/8 | 1-3/4 | 1-1/32 | FA-4F-MA | 12.49 |
| VS11803X125 | 1-3/16 | 1-9/16 | 1-1/4 | FA-6F-MA | 36.65 |
| VS11804X087 | 1-3/16 | 1-11/16 | 7/8 | FA-4F-MA | 11.93 |
| VS12504X075 | 1-1/4 | 1-3/4 | 3/4 | FA-3F-MA | 8.75 |
| VS12504X082 | 1-1/4 | 1-3/4 | .82 | FA-2U-2F-MA | 10.85 |

| Part Number | A Nom. ID | B Nom. OD | C Nom. Ht | CONSTRUCTION T-V-B | List Price |
|-------------|-----------|-----------|-----------|--------------------|------------|
| VS12504X078 | 1-1/4 | 1-3/4 | 7/8 | FA-3R-2T-MA | 22.36 |
| VS12504X100 | 1-1/4 | 1-3/4 | 1 | FA-5F-MA | 12.58 |
| VS12504X112 | 1-1/4 | 1-3/4 | 1-1/8 | FA-6F-MA | 14.35 |
| VS12505X103 | 1-1/4 | 1-7/8 | 1-1/32 | FA-4F-MA | 15.96 |
| VS12506X100 | 1-1/4 | 2 | 1 | FA-1U-2F-MA | 15.07 |
| VS12508X100 | 1-1/4 | 2-1/4 | 1 | FA-2F-MA | 21.43 |
| VS12508X150 | 1-1/4 | 2-1/4 | 1-1/2 | FA-4F-MA | 23.63 |
| VS13703X106 | 1-3/8 | 1-3/4 | 1-1/16 | FA-6F-MA | 15.42 |
| VS13704X075 | 1-3/8 | 1-7/8 | 3/4 | FA-3F-MA | 9.99 |
| VS13704X100 | 1-3/8 | 1-7/8 | 1 | FA-2U-3F-MA | 12.40 |
| VS13705X103 | 1-3/8 | 2 | 1-1/32 | FA-4F-MA | 16.29 |
| VS13706X125 | 1-3/8 | 2-1/8 | 1-1/4 | FA-4F-MA | 34.71 |
| VS15003X082 | 1-1/2 | 1-7/8 | .82 | FA-2U-3F-MA | 20.30 |
| VS15004X075 | 1-1/2 | 2 | 3/4 | FA-1U-2F-MA | 9.21 |
| VS15004X082 | 1-1/2 | 2 | .82 | FA-4F-MA | 9.17 |
| VS15004X087 | 1-1/2 | 2 | 7/8 | FA-1U-3F-MA | 9.93 |
| VS15004X100 | 1-1/2 | 2 | 1 | FA-2U-3F-MA | 12.49 |
| VS15004X112 | 1-1/2 | 2 | 1-1/8 | FA-2U-4F-MA | 14.35 |
| VS15004X125 | 1-1/2 | 2 | 1-1/4 | FA-7F-MA | 16.18 |
| VS15005X103 | 1-1/2 | 2-1/8 | 1.031 | FA-2U-2F-MA | 14.60 |
| VS15005X106 | 1-1/2 | 2-1/8 | 1-1/16 | FA-3R-2T-MA | 26.14 |
| VS15005X118 | 1-1/2 | 2-1/8 | 1-3/16 | FA-5F-MA | 17.16 |
| VS15006X100 | 1-1/2 | 2-1/4 | 1 | FA-3F-MA | 12.06 |
| VS15007X175 | 1-1/2 | 2-3/8 | 1-3/4 | FA-5F-MA | 42.96 |
| VS15008X125 | 1-1/2 | 2-1/2 | 1-1/4 | FA-1U-2F-MA | 23.63 |
| VS15008X150 | 1-1/2 | 2-1/2 | 1-1/2 | FA-2U-2F-MA | 27.92 |
| VS16204X075 | 1-5/8 | 2-1/8 | 3/4 | FA-3U-MA | 10.74 |
| VS16204X100 | 1-5/8 | 2-1/8 | 1 | FA-5F-MA | 15.95 |
| VS16204X112 | 1-5/8 | 2-1/8 | 1-1/8 | FA-6F-MA | 17.16 |
| VS16205X087 | 1-5/8 | 2-1/4 | 7/8 | FA-3F-MA | 15.74 |
| VS16205X103 | 1-5/8 | 2-1/4 | 1-1/32 | FA-4F-MA | 16.65 |
| VS17503X087 | 1-3/4 | 2-1/8 | 7/8 | FA-2U-3F-MA | 33.48 |
| VS17503X043 | 1-3/4 | 2-1/8 | 23 | 4F | 11.05 |
| VS17504X068 | 1-3/4 | 2-1/4 | 11/16 | FA-2R-2T | 49.78 |

FORMERLY LISTED SEALS ARE AVAILABLE ONLINE AT WWW.HERCULESUS.COM
 OR BY CONTACTING YOUR REGIONAL HERCULES SALES TEAM.



VEE PACKING SETS

VEE PACKING SETS

| Part Number | A Nom. ID | B Nom. OD | C Nom. Ht | CONSTRUCTION T-V-B | List Price | Part Number | A Nom. ID | B Nom. OD | C Nom. Ht | CONSTRUCTION T-V-B | List Price |
|--------------|-----------|-----------|-----------|--------------------|------------|----------------|-----------|-----------|-----------|--------------------|------------|
| VS17504X082 | 1-3/4 | 2-1/4 | .82 | FA-1U-3F-MA | 10.40 | VS25006X102 | 2-1/2 | 3-1/4 | 1.02 | FA-1U-2F-MA | 21.12 |
| VS17504X087 | 1-3/4 | 2-1/4 | 7/8 | FA-1U-3F-MA | 10.75 | VS25006X137 | 2-1/2 | 3-1/4 | 1-3/8 | FA-2U-3F-MA | 30.96 |
| VS17504X100 | 1-3/4 | 2-1/4 | 1 | FA-5F-MA | 15.24 | VS25008X125 | 2-1/2 | 3-1/2 | 1-1/4 | FA-3F-MA | 34.32 |
| VS17504X112 | 1-3/4 | 2-1/4 | 1-1/8 | FA-2U-4F-MA | 15.77 | VS26204X087 | 2-5/8 | 3-1/8 | 7/8 | FA-2U-2F-MA | 27.50 |
| VS17505X089 | 1-3/4 | 2-3/8 | .894 | FA-1U-2F-MA | 16.29 | VS26204X137 | 2-5/8 | 3-1/8 | 1-3/8 | FA-7F-MA | 34.97 |
| VS17505X100S | 1-3/4 | 2-3/8 | 1 | FA-3R-2T | 22.66 | VS26205X075 | 2-5/8 | 3-1/4 | 3/4 | FA-2U-2T | 21.97 |
| VS17505X103 | 1-3/4 | 2-3/8 | 1-1/32 | FA-2U-2F-MA | 16.88 | VS26205X100 | 2-5/8 | 3-1/4 | 1.11 | FA-4F-MA | 44.59 |
| VS17505X112 | 1-3/4 | 2-3/8 | 1-1/8 | FA-5F-MA | 19.75 | VS26206X118 | 2-5/8 | 3-3/8 | 1-3/16 | FA-3F-MA | 43.05 |
| VS17505X118 | 1-3/4 | 2-3/8 | 1-3/16 | FA-5F-MA | 20.57 | VS27006X106 | 2.7 | 3.45 | 1-1/16 | FA-1U-2F-MA | 25.44 |
| VS17506X100 | 1-3/4 | 2-1/2 | 1 | FA-3F-MA | 19.19 | VS27504X075 | 2-3/4 | 3-1/4 | 3/4 | FA-2U-1R-MA | 11.99 |
| VS17506X111H | 1-3/4 | 2-1/2 | 1.11 | FA-4R-MA | 33.38 | VS27504X087 | 2-3/4 | 3-1/4 | 7/8 | FA-4F-MA | 16.88 |
| VS17506X156 | 1-3/4 | 2-1/2 | 1-9/16 | FA-6F-MA | 22.47 | VS27504X100 | 2-3/4 | 3-1/4 | 1 | FA-1U-4F-MA | 17.54 |
| VS18704X112 | 1-7/8 | 2-3/8 | 1-1/8 | FA-6F-MA | 16.29 | VS27505X103 | 2-3/4 | 3-3/8 | 1-1/32 | FA-2U-2F-MA | 23.74 |
| VS18705X103 | 1-7/8 | 2-1/2 | 1-1/32 | FA-4F-MA | 18.35 | VS27506X100 | 2-3/4 | 3-1/2 | 1 | FA-3F-MA | 25.94 |
| VS18706X112 | 1-7/8 | 2-5/8 | 1-1/8 | FA-4F-MA | 21.91 | VS27506X112 | 2-3/4 | 3-1/2 | 1-1/8 | FA-3R-2T | 86.88 |
| VS19304X112 | 1-15/16 | 2-7/16 | 1-1/8 | FA-6F-MA | 112.81 | VS27506X111H | 2-3/4 | 3-1/2 | 1.15 | FA-4R-MA | 40.28 |
| VS20003X075 | 2 | 2-3/8 | 3/4 | FA-4F-MA | 22.89 | VS27506X118 | 2-3/4 | 3-1/2 | 1-3/16 | FA-2U-2F-MA | 31.07 |
| VS20004X062 | 2 | 2-1/2 | 5/8 | FA-1U-1F-MA | 7.60 | VS27506X150 | 2-3/4 | 3-1/2 | 1-1/2 | FA-3U-3F-MA | 48.53 |
| VS20004X082 | 2 | 2-1/2 | .82 | FA-4F-MA | 11.34 | VS27508X200 | 2-3/4 | 3-3/4 | 2 | FA-6F-MA | 66.71 |
| VS20004X087 | 2 | 2-1/2 | 7/8 | FA-2U-2F-MA | 12.80 | VS27706X100 | 2.775 | 3.525 | 1 | FA-3F-MA | 30.14 |
| VS20004X087W | 2 | 2-1/2 | 7/8 | 2U-2F | 13.61 | VS27706X125 | 2.775 | 3.525 | 1-1/4 | FA-1U-3F-MA | 33.38 |
| VS20004X100 | 2 | 2-1/2 | 1 | FA-2U-3F-MA | 14.45 | VS28704X100 | 2-7/8 | 3-3/8 | 1 | FA-4F-MA | 21.99 |
| VS20004X112 | 2 | 2-1/2 | 1-1/8 | FA-2U-4F-MA | 16.02 | VS29504X100 | 2.95 | 3.45 | 1 | FA-2U-3F-MA | 22.26 |
| VS20005X087 | 2 | 2-5/8 | 7/8 | FA-3F-MA | 14.53 | VS29704.4X112W | 2.97 | 3.52 | 1-1/8 | 2U-3F-MA | 21.17 |
| VS20005X103 | 2 | 2-5/8 | 1-1/32 | FA-4F-MA | 17.41 | VS30004X062 | 3 | 3-1/2 | 5/8 | FA-2F-MA | 12.26 |
| VS20006X100 | 2 | 2-3/4 | 1 | FA-1U-2F-MA | 18.72 | VS30004X087 | 3 | 3-1/2 | 7/8 | FA-4F-MA | 15.66 |
| VS20006X118 | 2 | 2-3/4 | 1-3/16 | FA-2U-2F-MA | 22.47 | VS30004X087U | 3 | 3-1/2 | 7/8 | FA-1U-3F-MA | 25.61 |
| VS20006X137 | 2 | 2-3/4 | 1-3/8 | FA-2U-3F-MA | 26.38 | VS30004X087W | 3 | 3-1/2 | 7/8 | 4F | 14.91 |
| VS20008X125 | 2 | 3 | 1-1/4 | FA-3F-MA | 29.02 | VS30004X100 | 3 | 3-1/2 | 1 | FA-2U-3F-MA | 17.61 |
| VS20008X150 | 2 | 3 | 1-1/2 | FA-4F-MA | 34.25 | VS30004X112 | 3 | 3-1/2 | 1-1/8 | FA-2U-4F-MA | 21.33 |
| VS21204X087F | 2-1/8 | 2-5/8 | 7/8 | FA-4F-MA | 15.06 | VS30005X089 | 3 | 3-5/8 | .894 | FA-1U-2F-MA | 23.59 |
| VS21205X103 | 2-1/8 | 2-3/4 | 1-1/32 | FA-4F-MA | 19.41 | VS30005X103 | 3 | 3-5/8 | 1-1/32 | FA-4F-MA | 24.86 |
| VS21206X118 | 2-1/8 | 2-7/8 | 1-3/16 | FA-4F-MA | 60.68 | VS30006X100 | 3 | 3-3/4 | 1 | FA-1U-2F-MA | 30.58 |
| VS21206X137 | 2-1/8 | 2-7/8 | 1-3/8 | FA-5F-MA | 107.24 | VS30006X118 | 3 | 3-3/4 | 1-3/16 | FA-2U-2F-MA | 36.68 |
| VS21806X3V | 2-3/16 | 2-15/16 | .561 | 3F | 9.80 | VS30006X137 | 3 | 3-3/4 | 1-3/8 | FA-2U-3F-MA | 38.48 |
| VS21806X156 | 2-3/16 | 2-15/16 | 1-9/16 | FA-6F-MA | 33.62 | VS30006X137U | 3 | 3-3/4 | 1-3/8 | FA-1U-3F-MA | 109.01 |
| VS22004X100 | 2.2 | 2.7 | 1 | FA-2U-3F-MA | 19.53 | VS30008X150 | 3 | 4 | 1-1/2 | FA-2U-2F-MA | 46.21 |
| VS22504X082 | 2-1/4 | 2-3/4 | .82 | FA-1U-3F-MA | 12.92 | VS31203X087W | 3-1/8 | 3-1/2 | 7/8 | 2U-2F | 25.11 |
| VS22504X100 | 2-1/4 | 2-3/4 | 1 | FA-2U-3F-MA | 17.31 | VS31206X100 | 3-1/8 | 3-7/8 | 1 | FA-2R-2T | 35.89 |
| VS22505X103 | 2-1/4 | 2-7/8 | 1-1/32 | FA-4F-MA | 19.92 | VS32503X043 | 3-1/4 | 3-5/8 | 7/16 | 4F | 9.68 |
| VS22505X118 | 2-1/4 | 2-7/8 | 1-3/16 | FA-5F-MA | 23.29 | VS32504X082 | 3-1/4 | 3-3/4 | .82 | FA-4F-MA | 17.14 |
| VS22506X100 | 2-1/4 | 3 | 1 | FA-3F-MA | 20.47 | VS32504X100 | 3-1/4 | 3-3/4 | 1 | FA-5F-MA | 21.18 |
| VS22506X111H | 2-1/4 | 3 | 1.13 | FA-4R-MA | 36.99 | VS32504X125 | 3-1/4 | 3-3/4 | 1-1/4 | FA-2U-3F-MA | 21.18 |
| VS22508X150 | 2-1/4 | 3-1/4 | 1-1/2 | FA-4F-MA | 44.77 | VS32504X125W | 3-1/4 | 3-3/4 | 1-1/4 | FA-2U-3F-MA | 19.15 |
| VS23704X100 | 2-3/8 | 2-7/8 | 1 | FA-5F-MA | 18.72 | VS32505X100 | 3-1/4 | 3-7/8 | 1 | FA-4F-MA | 46.67 |
| VS23705X103 | 2-3/8 | 3 | 1-1/32 | FA-4F-MA | 20.63 | VS32506X118 | 3-1/4 | 4 | 1-3/16 | FA-4F-MA | 36.49 |
| VS23705X118 | 2-3/8 | 3 | 1-3/16 | FA-5F-MA | 24.14 | VS32506X137 | 3-1/4 | 4 | 1-3/8 | FA-5F-MA | 42.59 |
| VS23706X125 | 2-3/8 | 3-1/8 | 1-1/4 | FA-4F-MA | 24.58 | VS32506X156 | 3-1/4 | 4 | 1-9/16 | FA-6F-MA | 54.66 |
| VS25003X043 | 2-1/2 | 2-7/8 | 7/16 | 4F | 8.14 | VS32508X150 | 3-1/4 | 4-1/4 | 1-1/2 | FA-2U-2F-MA | 55.00 |
| VS25004X075 | 2-1/2 | 3 | 3/4 | FA-1U-2F-MA | 14.08 | VS32706X118 | 3.275 | 4.025 | 1.187 | FA-4F-MA | 41.29 |
| VS25004X082 | 2-1/2 | 3 | .82 | FA-4F-MA | 14.57 | VS33704X100 | 3-3/8 | 3-7/8 | 1 | FA-5F-MA | 23.52 |
| VS25004X087 | 2-1/2 | 3 | 7/8 | FA-1U-3F-MA | 16.94 | VS33704X112 | 3-3/8 | 3-7/8 | 1-1/8 | FA-6F-MA | 25.57 |
| VS25004X100 | 2-1/2 | 3 | 1 | FA-2U-3F-MA | 18.06 | VS33705X087 | 3-3/8 | 4 | 7/8 | FA-3F-MA | 21.61 |
| VS25004X112 | 2-1/2 | 3 | 1-1/8 | FA-2U-4F-MA | 20.57 | VS33705X103 | 3-3/8 | 4 | 1-1/32 | FA-4F-MA | 26.08 |
| VS25005X087 | 2-1/2 | 3-1/8 | 7/8 | FA-3F-MA | 14.62 | VS33706X100 | 3-3/8 | 4-1/8 | 1 | FA-3F-MA | 32.25 |
| VS25005X118 | 2-1/2 | 3-1/8 | 1-3/16 | FA-2U-3F-MA | 26.50 | VS33706X118 | 3-3/8 | 4-1/8 | 1-3/16 | FA-4F-MA | 41.35 |
| VS25005X118U | 2-1/2 | 3-1/8 | 1-3/16 | FA-1U-3F-MA | 77.53 | VS34506.4X150 | 3.45 | 4-1/4 | 1-1/2 | FA-2U-3F-MA | 46.00 |
| VS25006X100 | 2-1/2 | 3-1/4 | 1 | FA-1U-2F-MA | 23.17 | VS35004X075 | 3-1/2 | 4 | 3/4 | FA-1U-2F-MA | 16.18 |

NORTH AMERICA
PHONE 1-800-777-5617
FAX 1-800-759-6391

SALES OFFICE HOURS
8 A.M. TO 7:30 P.M. EASTERN TIME
www.HerculesUS.com

WORLDWIDE
PHONE 1-727-796-1300
FAX 1-727-797-8849

VEE PACKING SETS

VEE PACKING SETS

| Part Number | A Nom. ID | B Nom. OD | C Nom. Ht | CONSTRUCTION T-V-B | List Price |
|----------------|-----------|-----------|-----------|--------------------|------------|
| VS35004X082 | 3-1/2 | 4 | .82 | FA-4F-MA | 19.61 |
| VS35004X100 | 3-1/2 | 4 | 1 | FA-2U-3F-MA | 21.70 |
| VS35004X150 | 3-1/2 | 4 | 1-1/2 | FA-3U-6F-MA | 33.53 |
| VS35006X100 | 3-1/2 | 4-1/4 | 1 | FA-3F-MA | 28.77 |
| VS35006X118 | 3-1/2 | 4-1/4 | 1-3/16 | FA-2U-2F-MA | 38.51 |
| VS35006X150 | 3-1/2 | 4-1/4 | 1-1/2 | FA-5F-MA | 53.99 |
| VS35008X125 | 3-1/2 | 4-1/2 | 1-1/4 | FA-3F-MA | 42.92 |
| VS35012X150 | 3-1/2 | 5 | 1-1/2 | FA-3F-MA | 60.53 |
| VS35012X225 | 3-1/2 | 5 | 2-1/4 | FA-4F-MA | 108.52 |
| VS35804.2X100W | 3.58 | 4.11 | 1 | FA-2U-3F-MA | 37.89 |
| VS37504X082 | 3-3/4 | 4-1/4 | .82 | FA-4F-MA | 21.56 |
| VS37504X100 | 3-3/4 | 4-1/4 | 1 | FA-2U-3F-MA | 23.60 |
| VS37505X087 | 3-3/4 | 4-3/8 | 7/8 | FA-3F-MA | 29.15 |
| VS37505X106 | 3-3/4 | 4-3/8 | 1-1/16 | FA-2U-2F-MA | 34.97 |
| VS37505X118W | 3-3/4 | 4-3/8 | 1-3/16 | FA-2U-2F-MA | 26.80 |
| VS37506X106 | 3-3/4 | 4-1/2 | 1-1/16 | FA-2R-2T | 41.37 |
| VS37506X118 | 3-3/4 | 4-1/2 | 1-3/16 | FA-2U-2F-MA | 41.74 |
| VS37506X137 | 3-3/4 | 4-1/2 | 1-3/8 | FA-2U-3F-MA | 48.32 |
| VS38704X075 | 3-7/8 | 4-3/8 | 3/4 | 4F-MA | 20.38 |
| VS39704.4X100W | 3.97 | 4.52 | 1 | 2U-3F-MA | 26.90 |
| VS40004X087W | 4 | 4-1/2 | 7/8 | 2U-2R | 27.29 |
| VS40004X100 | 4 | 4-1/2 | 1 | FA-2U-3F-MA | 25.97 |
| VS40004X112 | 4 | 4-1/2 | 1-1/8 | FA-2U-4F-MA | 29.30 |
| VS40006X118 | 4 | 4-3/4 | 1-3/16 | FA-2U-2F-MA | 46.65 |
| VS40007X112 | 4 | 4-7/8 | 1-1/8 | FA-3F-MA | 51.99 |
| VS40007X131 | 4 | 4-7/8 | 1-5/16 | FA-4F-MA | 74.46 |
| VS40007X175 | 4 | 4-7/8 | 1-3/4 | FA-6F-MA | 83.20 |
| VS40008X131 | 4 | 5 | 1-5/16 | FA-1U-2F-MA | 48.29 |
| VS40008X137 | 4 | 5 | 1-3/8 | 3U-2F | 52.82 |
| VS40008X156 | 4 | 5 | 1-9/16 | FA-4F-MA | 61.31 |
| VS40606X100 | 4-1/16 | 4-13/16 | 1 | FA-3F-MA | 46.14 |
| VS42504X100 | 4-1/4 | 4-3/4 | 1 | FA-5F-MA | 36.21 |
| VS42504X125 | 4-1/4 | 4-3/4 | 1-1/4 | FA-3U-4F-MA | 36.21 |
| VS42504X125W | 4-1/4 | 4-3/4 | 1-1/4 | FA-2U-3F-MA | 26.34 |
| VS42506X100 | 4-1/4 | 5 | 1 | FA-3F-MA | 39.09 |
| VS42506X150 | 4-1/4 | 5 | 1-1/2 | FA-6F-MA | 67.93 |
| VS42506X162 | 4-1/4 | 5 | 1-5/8 | FA-6F-MA | 71.43 |
| VS42507X150 | 4-1/4 | 5-1/8 | 1-1/2 | FA-5F-MA | 69.59 |
| VS42508X162 | 4-1/4 | 5-1/4 | 1-5/8 | FA-4F-MA | 140.45 |
| VS43704X100 | 4-3/8 | 4-7/8 | 1 | FA-5F-MA | 187.43 |
| VS44704.4X093 | 4.475 | 5.025 | 15/16 | 3U-2F | 31.25 |
| VS45004X087 | 4-1/2 | 5 | 7/8 | FA-4F-MA | 22.87 |
| VS45004X087A | 4-1/2 | 5 | 7/8 | FA-2U-2F-MA | 19.67 |
| VS45004X100 | 4-1/2 | 5 | 1 | FA-5F-MA | 28.08 |
| VS45005X137 | 4-1/2 | 5-1/8 | 1-3/8 | FA-6F-MA | 126.08 |
| VS45006X100 | 4-1/2 | 5-1/4 | 1 | FA-1U-2F-MA | 39.33 |
| VS45006X150 | 4-1/2 | 5-1/4 | 1-1/2 | FA-6F-MA | 64.87 |
| VS45007X118 | 4-1/2 | 5-3/8 | 1-3/16 | FA-2R-2T | 157.07 |
| VS45007X137 | 4-1/2 | 5-3/8 | 1-3/8 | FA-4F-MA | 198.18 |
| VS45008X125 | 4-1/2 | 5-1/2 | 1-1/4 | FA-3F-MA | 52.37 |
| VS46205X112 | 4-5/8 | 5-1/4 | 1 | FA-4F-MA | 68.86 |
| VS47504X087 | 4-3/4 | 5-1/4 | 7/8 | FA-4F-MA | 25.44 |
| VS47504X100 | 4-3/4 | 5-1/4 | 1 | FA-5F-MA | 29.47 |
| VS47505X125W | 4-3/4 | 5-3/8 | 1-1/4 | FA-2U-2F-MA | 33.49 |
| VS47506X087 | 4-3/4 | 5-1/2 | 7/8 | 2N-1R-MA | 25.82 |
| VS47506X118 | 4-3/4 | 5-1/2 | 1-3/16 | FA-2U-2F-MA | 56.51 |
| VS47506X137 | 4-3/4 | 5-1/2 | 1-3/8 | FA-5F-MA | 65.95 |
| VS47506XXX | 4-3/4 | 5-1/2 | 1-3/4 | 7F | 43.25 |

| Part Number | A Nom. ID | B Nom. OD | C Nom. Ht | CONSTRUCTION T-V-B | List Price |
|----------------|-----------|-----------|-----------|--------------------|------------|
| VS47507X150 | 4-3/4 | 5-5/8 | 1-1/2 | FA-5F-MA | 94.13 |
| VS49704.4X112W | 4.97 | 5.52 | 1-1/8 | 2U-3F-MA | 34.97 |
| VS50004X087 | 5 | 5-1/2 | 7/8 | FA-2U-2F-MA | 29.39 |
| VS50004X100 | 5 | 5-1/2 | 1 | FA-2U-3F-MA | 29.86 |
| VS50004X112W | 5 | 5-1/2 | 1 | FA-2U-3F-MA | 24.05 |
| VS50004X112 | 5 | 5-1/2 | 1-1/8 | FA-2U-4F-MA | 35.52 |
| VS50005X103 | 5 | 5-5/8 | 1-1/32 | FA-4F-MA | 40.59 |
| VS50006X150 | 5 | 5-3/4 | 1-1/2 | FA-6F-MA | 79.48 |
| VS50007X131 | 5 | 5-7/8 | 1-5/16 | FA-4F-MA | 71.85 |
| VS50008X125 | 5 | 6 | 1-1/4 | FA-1U-2F-MA | 62.33 |
| VS50008X175 | 5 | 6 | 1-3/4 | FA-2U-3F-MA | 99.39 |
| VS51204X100 | 5-1/8 | 5-5/8 | 1 | FA-5F-MA | 34.56 |
| VS51204X112 | 5-1/8 | 5-5/8 | 1-1/8 | FA-6F-MA | 37.44 |
| VS52504X125 | 5-1/4 | 5-3/4 | 1-1/4 | FA-2U-3F-MA | 31.81 |
| VS52506X087 | 5-1/4 | 6 | 7/8 | 2N-1R-MA | 31.05 |
| VS52506X118 | 5-1/4 | 6 | 1-3/16 | FA-4F-MA | 59.78 |
| VS52508X122 | 5-1/4 | 6-1/4 | 1.22 | FA-3F-MA | 61.97 |
| VS53707X150 | 5-3/8 | 6-1/4 | 1-1/2 | FA-5F-MA | 105.27 |
| VS54404X112W | 5.445 | 5.945 | 1-1/8 | FA-2U-3F-MA | 45.81 |
| VS54704.4X093 | 5.475 | 6.025 | 15/16 | 3U-2F | 34.55 |
| VS55004X075 | 5-1/2 | 6 | 3/4 | FA-3F-MA | 19.38 |
| VS55004X100 | 5-1/2 | 6 | 1 | FA-5F-MA | 33.45 |
| VS55006X175 | 5-1/2 | 6-1/4 | 1-3/4 | FA-7F-MA | 97.78 |
| VS55008X125 | 5-1/2 | 6-1/2 | 1-1/4 | FA-3F-MA | 81.13 |
| VS55008X175 | 5-1/2 | 6-1/2 | 1-3/4 | FA-5F-MA | 94.49 |
| VS57006X106 | 5.7 | 6.45 | 1-1/16 | FA-1U-2F-MA | 50.20 |
| VS57504X100 | 5-3/4 | 6-1/4 | 1 | FA-5F-MA | 36.87 |
| VS57504X112 | 5-3/4 | 6-1/4 | 1-1/8 | FA-6F-MA | 39.73 |
| VS57505X087 | 5-3/4 | 6-3/8 | 7/8 | FA-2R-2T | 72.78 |
| VS57505X125W | 5-3/4 | 6-3/8 | 1-1/4 | FA-2U-2F-MA | 42.67 |
| VS57506X100 | 5-3/4 | 6-1/2 | 1 | FA-3F-MA | 57.35 |
| VS57506X137 | 5-3/4 | 6-1/2 | 1-3/8 | FA-5F-MA | 79.25 |
| VS57508X175 | 5-3/4 | 6-3/4 | 1-3/4 | FA-5F-MA | 119.13 |
| VS58704X100W | 5-7/8 | 6-3/8 | 1 | FA-4F-MA | 30.32 |
| VS59704.4X112W | 5.97 | 6.52 | 1-1/8 | 2U-3F-MA | 42.84 |
| VS60004X087W | 6 | 6-1/2 | 7/8 | 2U-2F | 52.39 |
| VS60004X100 | 6 | 6-1/2 | 1 | FA-2U-3F-MA | 35.65 |
| VS60004X112W | 6 | 6-1/2 | 1 | FA-2U-3F-MA | 29.31 |
| VS60004X112 | 6 | 6-1/2 | 1-1/8 | FA-2U-4F-MA | 41.87 |
| VS60006X100 | 6 | 6-3/4 | 1 | FA-1U-2F-MA | 80.36 |
| VS60008X150 | 6 | 7 | 1-1/2 | FA-4F-MA | 94.65 |
| VS60010X175 | 6 | 7-1/4 | 1-3/4 | FA-4F-MA | 134.64 |
| VS62505X125 | 6-1/4 | 6-7/8 | 1-1/4 | FA-2U-3F-MA | 57.59 |
| VS62505X125W | 6-1/4 | 6-7/8 | 1-1/4 | FA-2U-3F-MA | 48.95 |
| VS62506X118 | 6-1/4 | 7 | 1-3/16 | FA-4F-MA | 84.54 |
| VS64404X112W | 6.445 | 6.945 | 1-1/8 | FA-2U-3F-MA | 61.61 |
| VS64704.4X093 | 6.475 | 7.025 | 15/16 | 3U-2F | 42.79 |
| VS65004X100 | 6-1/2 | 7 | 1 | FA-1U-4F-MA | 40.70 |
| VS65006X137 | 6-1/2 | 7-1/4 | 1-3/8 | FA-5F-MA | 88.45 |
| VS65008X150 | 6-1/2 | 7-1/2 | 1-1/2 | FA-4F-MA | 110.19 |
| VS67504X100 | 6-3/4 | 7-1/4 | 1 | FA-5F-MA | 130.36 |
| VS67505X125 | 6-3/4 | 7-3/8 | 1-1/4 | FA-2U-3F-MA | 76.64 |
| VS67505X125W | 6-3/4 | 7-3/8 | 1-1/4 | FA-2U-2F-MA | 61.98 |
| VS67506X118 | 6-3/4 | 7-1/2 | 1-3/16 | FA-4F-MA | 91.16 |
| VS69704.4X112W | 6.97 | 7.52 | 1-1/8 | 2U-3F-MA | 38.87 |
| VS70004X100 | 7 | 7-1/2 | 1 | FA-2U-3F-MA | 44.31 |
| VS70004X112 | 7 | 7-1/2 | 1-1/8 | FA-2U-4F-MA | 50.61 |
| VS70004X112W | 7 | 7-1/2 | 1-1/8 | FA-2U-3F-MA | 34.23 |

FORMERLY LISTED SEALS ARE AVAILABLE ONLINE AT WWW.HERCULESUS.COM
OR BY CONTACTING YOUR REGIONAL HERCULES SALES TEAM.



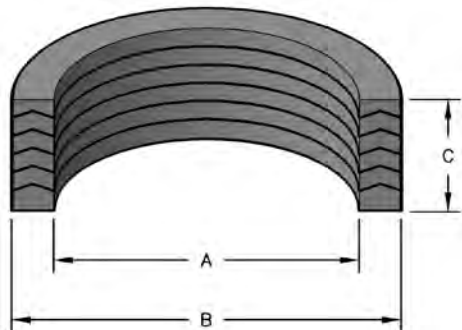
VEE PACKING SETS

VEE PACKING SETS

| Part Number | A Nom. ID | B Nom. OD | C Nom. Ht | CONSTRUCTION T-V-B | List Price |
|----------------|-----------|-----------|-----------|--------------------|------------|
| VS70008X125 | 7 | 8 | 1-1/4 | FA-3F-MA | 113.02 |
| VS70008X200 | 7 | 8 | 2 | FA-3U-3F-MA | 165.20 |
| VS72504X087 | 7-1/4 | 7-3/4 | 7/8 | FA-4F-MA | 138.03 |
| VS74404X112W | 7.445 | 7.945 | 1-1/8 | FA-2U-3F-MA | 69.35 |
| VS75004X100 | 7-1/2 | 8 | 1 | FA-2U-3F-MA | 59.42 |
| VS75005X125 | 7-1/2 | 8-1/8 | 1-1/4 | FA-2U-3F-MA | 83.56 |
| VS75005X125W | 7-1/2 | 8-1/8 | 1-1/4 | FA-2U-3F-MA | 70.97 |
| VS75006X109 | 7-1/2 | 8-1/4 | 1-3/32 | 3U-2F-MA | 123.42 |
| VS79005.1X125W | 7.905 | 8.543 | 1-1/4 | FA-2U-2F-MA | 65.92 |
| VS79704.4X112W | 7.97 | 8.52 | 1-1/8 | 2U-3F-MA | 60.01 |
| VS80004X075 | 8 | 8-1/2 | 3/4 | FA-1U-2F-MA | 60.11 |
| VS80004X100 | 8 | 8-1/2 | 1 | FA-2U-3F-MA | 54.25 |
| VS80004X112W | 8 | 8-1/2 | 1-1/8 | FA-2U-3F-MA | 38.54 |
| VS80006X118 | 8 | 8-3/4 | 1-3/16 | FA-4F-MA | 248.87 |
| VS80008X200 | 8 | 9 | 2 | FA-6F-MA | 202.67 |
| VS81204X112 | 8-1/8 | 8-5/8 | 1-1/8 | FA-1U-5F-MA | 65.94 |
| VS82504X112 | 8-1/4 | 8-3/4 | 1-1/8 | FA-6F-MA | 100.07 |
| VS82506X118W | 8-1/4 | 9 | 1-3/16 | FA-1U-3F-MA | 88.14 |
| VS85004X100 | 8-1/2 | 9 | 1 | FA-2U-3F-MA | 146.80 |
| VS85008X187 | 8-1/2 | 9-1/2 | 1-7/8 | FA-5F-MA | 290.37 |
| VS87505X125 | 8-3/4 | 9-3/8 | 1-1/4 | FA-6F-MA | 172.93 |
| VS87505X125W | 8-3/4 | 9-3/8 | 1-1/4 | FA-2U-3F-MA | 99.93 |
| VS90004X125 | 9 | 9-1/2 | 1-1/4 | FA-7F-MA | 179.66 |
| VS90006X118W | 9 | 9-3/4 | 1-3/16 | FA-4F-MA | 100.15 |
| VS90008X187 | 9 | 10 | 1-7/8 | FA-5F-MA | 299.45 |
| VS91204.5X112W | 9-1/8 | 9-11/16 | 1-1/8 | 2U-2F-MA | 74.28 |
| VS91205X125W | 9-1/8 | 9-3/4 | 1-1/4 | FA-2U-3F-MA | 127.35 |
| VS93705X121W | 9-3/8 | 10 | 1-7/32 | FA-4F-MA | 136.10 |
| VS95004X100 | 9-1/2 | 10 | 1 | FA-5F-MA | 210.31 |
| VS95006X118 | 9-1/2 | 10-1/4 | 1-3/16 | FA-4F-MA | 404.58 |
| VS97506X100W | 9-3/4 | 10-1/2 | 1 | 1U-3F-MA | 190.54 |
| VS100008X187 | 10 | 11 | 1-7/8 | FA-5F-MA | 544.81 |
| VS105004X100 | 10-1/2 | 11 | 1 | FA-5F-MA | 233.41 |
| VS105008X187 | 10-1/2 | 11-1/2 | 1-7/8 | FA-5F-MA | 375.04 |
| VS110008X187 | 11 | 12 | 1-7/8 | FA-5F-MA | 375.04 |
| VS112506X125 | 11-1/4 | 12 | 1-1/4 | FA-2N-2U-MA | 196.73 |
| VS120008X187 | 12 | 13 | 1-7/8 | FA-5F-MA | 475.65 |
| VS140008X187 | 14 | 15 | 1-7/8 | FA-5F-MA | 682.61 |

FLUOROCARBON VEE PACKING SETS

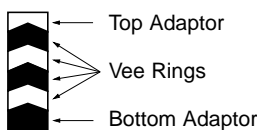
Not different in application from standard vee sets, these sets are made entirely of cotton duck and fluorocarbon. Excellent heat resistance.



HERCULES PART NUMBERS

VS 100 04 X 100V
 Type of Seal Inside Diameter Cross Section Height

3,000 PSI = 4 VEEES
 5,000 PSI = 5 VEEES



SEAL INFORMATION

| | |
|-------------------|---------------------|
| MATERIAL | FLUOROCARBON / DUCK |
| TEMPERATURE RANGE | -20° TO +350° F |
| PRESSURE RANGE | 0 TO 5,000 PSI |
| SPEED | 1.5 FT/SEC |

VEE PACKING SETS

| Part Number | A Nom. ID | B Nom. OD | C Nom. Ht | List Price |
|---------------|--------------|--------------|--------------|------------|
| VS10004X100V | 1 | 1-1/2 | 1 | \$97.68 |
| VS15005X100V | 1-1/2 | 2-1/8 | 1 | 128.11 |
| VS17505X100V | 1-3/4 | 2-3/8 | 1 | 105.57 |
| VS17506X100V | 1-3/4 | 2-1/2 | 1 | 129.95 |
| VS18705X100V | 1-7/8 | 2-1/2 | 1 | 106.96 |
| VS20004X100V | 2 | 2-1/2 | 1 | 118.17 |
| VS20005X100V | 2 | 2-5/8 | 1 | 109.12 |
| VS20006X100V | 2 | 2-3/4 | 1 | 107.84 |
| VS21206X100V | 2-1/8 | 2-7/8 | 1 | 144.22 |
| VS22504X100V | 2-1/4 | 2-3/4 | 1 | 121.51 |
| VS25004X100V | 2-1/2 | 3 | 1 | 125.38 |
| VS25005X100V | 2-1/2 | 3-1/8 | 1 | 128.94 |
| VS25006X100V | 2-1/2 | 3-1/4 | 1 | 157.03 |
| VS27506X100V | 2-3/4 | 3-1/2 | 1 | 160.64 |
| VS30004X100V | 3 | 3-1/2 | 1 | 183.92 |
| VS30005X100V | 3 | 3-5/8 | 1 | 155.19 |
| VS30006X100V | 3 | 3-3/4 | 1 | 170.68 |
| VS32506X100V | 3-1/4 | 4 | 1 | 193.68 |
| VS35004X100V | 3-1/2 | 4 | 1 | 162.43 |
| VS35006X100V | 3-1/2 | 4-1/4 | 1 | 202.90 |
| VS35008X112V | 3-1/2 | 4-1/2 | 1-1/8 | 212.97 |
| VS37506X100V | 3-3/4 | 4-1/2 | 1 | 215.33 |
| VS40004X100V* | 4 | 4-1/2 | 1 | 16.35 |
| VS40006X100V | 4 | 4-3/4 | 1 | 253.20 |
| VS40008X094V | 4 | 5 | .94 | 238.69 |
| VS42507X106V | 4-1/4 | 5-1/8 | 1-1/16 | 298.74 |
| VS45008X112V | 4-1/2 | 5-1/2 | 1-1/8 | 255.65 |
| VS50004X100V | 5 | 5-1/2 | 1 | 266.59 |
| VS50006X100V | 5 | 5-3/4 | 1 | 270.92 |
| VS50007X109V | 5 | 5-7/8 | 1.09 | 330.14 |
| VS57506X100V | 5-3/4 | 6-1/2 | 1 | 319.66 |
| VS60004X100V | 6 | 6-1/2 | 1 | 274.29 |

* Closeout item - Price Shown as Net. This item will no longer be available once stock has been depleted.

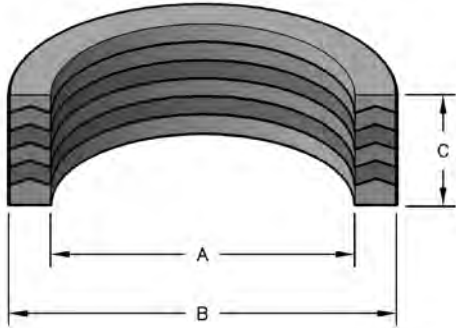
Seal color may vary. Special order sizes are available. Sizes not shown and out of stock items can also be ordered for next day delivery through Seals On Demand, our custom seal program. Please call your regional sales team for assistance.

FORMERLY LISTED SEALS ARE AVAILABLE ONLINE AT WWW.HERCULESUS.COM
 OR BY CONTACTING YOUR REGIONAL HERCULES SALES TEAM.



CASCADE VEE SETS

Employed mainly in cylinders made by Cascade Corp., these vee sets are often over-sized or are different from standard vee sets. They are often used with Follower bearings



HERCULES PART NUMBERS

CAS - C7501
 Prefix OEM
 Number

3,000 PSI = 4 VEEs
 5,000 PSI = 5 VEEs
 10,000 PSI = 6 VEEs



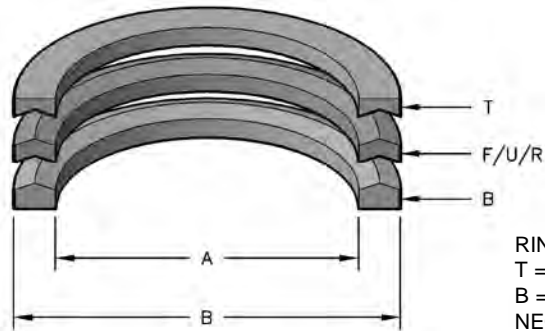
SEAL INFORMATION

| | |
|-------------------|--|
| MATERIAL | FABRIC REINFORCED RUBBER & URETHANE RINGS/NYLON ADAPTORS |
| TEMPERATURE RANGE | -35° TO +220° F |
| PRESSURE RANGE | 0 TO 10,000 |
| SPEED | 1.5 FT/SEC |

| Part Number | A Nom. ID | B Nom. OD | C Nom. Ht | List Price |
|-------------|--------------|--------------|--------------|------------|
| CAS-C7501 | 7/8 | 1-3/8 | 3/4 | \$21.38 |
| CAS-7500 | 1 | 1-1/2 | .781 | 21.34 |
| CAS-C1809 | 1-1/4 | 1-3/4 | .671 | 18.57 |
| CAS-C7502 | 1-1/2 | 2 | .781 | 20.64 |
| CAS-C7606 | 1-3/4 | 2.265 | .635 | 16.79 |
| CAS-7505 | 1-3/4 | 2.265 | .781 | 24.90 |
| CAS-C7609 | 2 | 2.515 | 5/8 | 19.95 |
| CAS-C1861 | 2 | 2.76 | 1.218 | 39.36 |
| CAS-1468 | 2-1/4 | 3.02 | 1.03 | 34.80 |
| CAS-7542A | 2.45 | 3.02 | .671 | 22.23 |
| CAS-7633 | 2-1/2 | 3 | 1.094 | 34.80 |
| CAS-7547 | 2-3/4 | 3.27 | .85 | 29.99 |
| CAS-C1469 | 2-3/4 | 3.52 | 1.03 | 42.76 |
| CAS-C7608 | 3 | 3.52 | .671 | 22.11 |
| CAS-7565 | 3 | 3.52 | .89 | 31.25 |
| CAS-7514A | 3.2 | 3.77 | .781 | 38.83 |
| CAS-7576 | 3.2 | 3.77 | .828 | 34.80 |
| CAS-1470 | 3-1/4 | 4.02 | 1 | 42.76 |
| CAS-C7538 | 3-1/2 | 4.02 | 5/8 | 26.21 |
| CAS-C7636 | 3-1/2 | 4.27 | 1.03 | 41.32 |
| CAS-C7561 | 3-1/2 | 4.27 | 1.4 | 72.84 |
| CAS-1471A | 3-3/4 | 4.52 | 1 | 46.31 |
| CAS-C827 | 3-3/4 | 4.52 | 1.218 | 52.80 |
| CAS-C7554 | 4 | 4.77 | .813 | 66.95 |
| CAS-7525 | 4-1/4 | 5.03 | 1.2 | 75.15 |
| CAS-7562 | 4-1/4 | 5.03 | 1.344 | 78.96 |
| CAS-7651 | 6 | 6.53 | 7/8 | 53.40 |

INDIVIDUAL VEE RINGS & ADAPTORS

The individual vee rings and adaptors listed here are the same high quality product found in our assembled vee packing sets. Stocking individual vee rings allows you to assemble sets to your specific requirements.



HERCULES PART NUMBERS



RING TYPES

- T = TOP ADAPTOR - NYLON
 - B = BOTTOM ADAPTOR - NYLON/NEO-FAB
 - F = NEO-FAB VEE RING
 - U = URETHANE VEE RING
 - R = RUBBER VEE RING.
- (FOR MORE RUBBER VEE RINGS SEE OUR STYLE 835 RINGS)

SEAL INFORMATION

| | |
|-------------------|--------------------------|
| MATERIAL | NYLON, NEO-FAB, URETHANE |
| TEMPERATURE RANGE | -35° TO +220° F |
| PRESSURE RANGE | 0 TO 5,000 PSI |
| SPEED | 1.5 FT/SEC |

VEE RING STACK HEIGHTS WITH TOP & BOTTOM ADAPTORS

| # OF VEES | VEE RING CROSS SECTIONS | | | | | | | | |
|-----------|-------------------------|-------|-------|-------|-------|-------|-------|-------|-------|
| | 3/16 | 1/4 | 5/16 | 3/8 | 7/16 | 1/2 | 9/16 | 5/8 | 3/4 |
| 1 | .410 | .500 | .562 | .625 | .645 | .750 | .812 | .875 | 1.00 |
| 2 | .520 | .625 | .719 | .812 | .863 | 1.000 | 1.093 | 1.187 | 1.375 |
| 3 | .630 | .750 | .875 | 1.000 | 1.081 | 1.250 | 1.375 | 1.500 | 1.750 |
| 4 | .740 | .875 | 1.031 | 1.187 | 1.300 | 1.500 | 1.656 | 1.812 | 2.125 |
| 5 | .850 | 1.000 | 1.187 | 1.375 | 1.517 | 1.750 | 1.937 | 2.125 | 2.500 |

| Part Number | A Nom. ID | B Nom. OD | List Price |
|-------------|-----------|-----------|------------|
| VR05003F | 1/2 | 7/8 | \$1.88 |
| VR05003T | 1/2 | 7/8 | 1.88 |
| VR06204B | 5/8 | 1-1/8 | 1.79 |
| VR06204F | 5/8 | 1-1/8 | 1.79 |
| VR06204R | 5/8 | 1-1/8 | 4.00 |
| VR06204T | 5/8 | 1-1/8 | 1.79 |
| VR07504B | 3/4 | 1-1/4 | 1.79 |
| VR07504F | 3/4 | 1-1/4 | 1.79 |
| VR07504T | 3/4 | 1-1/4 | 1.79 |
| VR07505F | 3/4 | 1-3/8 | 4.67 |
| VR08703B | 7/8 | 1-1/4 | 1.97 |
| VR08703F | 7/8 | 1-1/4 | 1.97 |
| VR08703T | 7/8 | 1-1/4 | 1.97 |
| VR08704F | 7/8 | 1-3/8 | 2.99 |
| VR08705F | 7/8 | 1-1/2 | 3.45 |
| VR10004B | 1 | 1-1/2 | 1.79 |
| VR10004F | 1 | 1-1/2 | 1.79 |
| VR10004T | 1 | 1-1/2 | 1.79 |
| VR10005B | 1 | 1-5/8 | 4.37 |
| VR10005F | 1 | 1-5/8 | 4.37 |
| VR10005T | 1 | 1-5/8 | 8.17 |
| VR10006F | 1 | 1-3/4 | 7.83 |
| VR11204B | 1-1/8 | 1-5/8 | 1.81 |
| VR11204F | 1-1/8 | 1-5/8 | 1.81 |

| Part Number | A Nom. ID | B Nom. OD | List Price |
|-------------|-----------|-----------|------------|
| VR11204T | 1-1/8 | 1-5/8 | 1.81 |
| VR12504B | 1-1/4 | 1-3/4 | 1.81 |
| VR12504F | 1-1/4 | 1-3/4 | 1.81 |
| VR12504T | 1-1/4 | 1-3/4 | 1.81 |
| VR12504U | 1-1/4 | 1-3/4 | 1.81 |
| VR12505F | 1-1/4 | 1-7/8 | 2.87 |
| VR12505T | 1-1/4 | 1-7/8 | 3.15 |
| VR12506B | 1-1/4 | 2 | 3.02 |
| VR12506F | 1-1/4 | 2 | 3.02 |
| VR12506T | 1-1/4 | 2 | 3.02 |
| VR12506U | 1-1/4 | 2 | 3.02 |
| VR13704B | 1-3/8 | 1-7/8 | 2.56 |
| VR13704F | 1-3/8 | 1-7/8 | 2.56 |
| VR13704R | 1-3/8 | 1-7/8 | 5.57 |
| VR13704T | 1-3/8 | 1-7/8 | 2.56 |
| VR13704U | 1-3/8 | 1-7/8 | 2.56 |
| VR13705B | 1-3/8 | 2 | 2.73 |
| VR13705F | 1-3/8 | 2 | 2.73 |
| VR13705T | 1-3/8 | 2 | 2.73 |
| VR13706B | 1-3/8 | 2-1/8 | 6.09 |
| VR13706F | 1-3/8 | 2-1/8 | 6.09 |
| VR13706T | 1-3/8 | 2-1/8 | 5.90 |
| VR15004B | 1-1/2 | 2 | 1.93 |
| VR15004F | 1-1/2 | 2 | 1.93 |

INDIVIDUAL VEE RINGS & ADAPTORS

FORMERLY LISTED SEALS ARE AVAILABLE ONLINE AT WWW.HERCULESUS.COM
OR BY CONTACTING YOUR REGIONAL HERCULES SALES TEAM.



INDIVIDUAL VEE RINGS & ADAPTORS

| Part Number | A Nom. ID | B Nom. OD | List Price | Part Number | A Nom. ID | B Nom. OD | List Price |
|-------------|-----------|-----------|------------|-------------|-----------|-----------|------------|
| VR15004R | 1-1/2 | 2 | 3.79 | VR22505B | 2-1/4 | 2-7/8 | 5.64 |
| VR15004T | 1-1/2 | 2 | 1.93 | VR22506B | 2-1/4 | 3 | 4.10 |
| VR15004U | 1-1/2 | 2 | 1.93 | VR22506F | 2-1/4 | 3 | 4.10 |
| VR15005B | 1-1/2 | 2-1/8 | 2.46 | VR22506R | 2-1/4 | 3 | 20.47 |
| VR15005F | 1-1/2 | 2-1/8 | 2.46 | VR22506T | 2-1/4 | 3 | 4.10 |
| VR15005T | 1-1/2 | 2-1/8 | 2.46 | VR25003B | 2-1/2 | 2-7/8 | 5.79 |
| VR15006B | 1-1/2 | 2-1/4 | 3.27 | VR25003F | 2-1/2 | 2-7/8 | 5.79 |
| VR15006F | 1-1/2 | 2-1/4 | 3.27 | VR25003T | 2-1/2 | 2-7/8 | 5.79 |
| VR15006R | 1-1/2 | 2-1/4 | 15.15 | VR25004B | 2-1/2 | 3 | 2.61 |
| VR15006T | 1-1/2 | 2-1/4 | 3.27 | VR25004F | 2-1/2 | 3 | 2.61 |
| VR15008B | 1-1/2 | 2-1/2 | 4.73 | VR25004R | 2-1/2 | 3 | 14.72 |
| VR15008F | 1-1/2 | 2-1/2 | 4.73 | VR25004T | 2-1/2 | 3 | 2.61 |
| VR15008T | 1-1/2 | 2-1/2 | 4.73 | VR25004U | 2-1/2 | 3 | 2.61 |
| VR15008U | 1-1/2 | 2-1/2 | 4.73 | VR25005B | 2-1/2 | 3-1/8 | 3.77 |
| VR16204B | 1-5/8 | 2-1/8 | 2.15 | VR25005F | 2-1/2 | 3-1/8 | 3.77 |
| VR16204F | 1-5/8 | 2-1/8 | 2.15 | VR25005T | 2-1/2 | 3-1/8 | 3.77 |
| VR16204T | 1-5/8 | 2-1/8 | 2.15 | VR25005U | 2-1/2 | 3-1/8 | 3.77 |
| VR16204U | 1-5/8 | 2-1/8 | 2.15 | VR25006B | 2-1/2 | 3-1/4 | 4.67 |
| VR16205B | 1-5/8 | 2-1/4 | 2.77 | VR25006F | 2-1/2 | 3-1/4 | 4.67 |
| VR16205F | 1-5/8 | 2-1/4 | 2.77 | VR25006T | 2-1/2 | 3-1/4 | 4.67 |
| VR16205T | 1-5/8 | 2-1/4 | 2.77 | VR25006U | 2-1/2 | 3-1/4 | 4.67 |
| VR17504B | 1-3/4 | 2-1/4 | 2.18 | VR25008B | 2-1/2 | 3-1/2 | 6.98 |
| VR17504F | 1-3/4 | 2-1/4 | 2.18 | VR25008F | 2-1/2 | 3-1/2 | 6.98 |
| VR17504T | 1-3/4 | 2-1/4 | 2.18 | VR25008T | 2-1/2 | 3-1/2 | 6.98 |
| VR17504U | 1-3/4 | 2-1/4 | 2.18 | VR26204F | 2-5/8 | 3-1/8 | 8.97 |
| VR17505B | 1-3/4 | 2-3/8 | 2.80 | VR26205U | 2-5/8 | 3-1/4 | 3.57 |
| VR17505F | 1-3/4 | 2-3/8 | 2.80 | VR27504B | 2-3/4 | 3-1/4 | 2.56 |
| VR17505T | 1-3/4 | 2-3/8 | 2.80 | VR27504F | 2-3/4 | 3-1/4 | 2.56 |
| VR17505U | 1-3/4 | 2-3/8 | 2.80 | VR27504T | 2-3/4 | 3-1/4 | 2.56 |
| VR17506B | 1-3/4 | 2-1/2 | 2.80 | VR27504U | 2-3/4 | 3-1/4 | 2.56 |
| VR17506F | 1-3/4 | 2-1/2 | 2.80 | VR27505B | 2-3/4 | 3-3/8 | 3.91 |
| VR17506T | 1-3/4 | 2-1/2 | 2.80 | VR27505F | 2-3/4 | 3-3/8 | 3.91 |
| VR17508B | 1-3/4 | 2-3/4 | 6.32 | VR27505T | 2-3/4 | 3-3/8 | 3.91 |
| VR17508F | 1-3/4 | 2-3/4 | 6.32 | VR27506B | 2-3/4 | 3-1/2 | 5.18 |
| VR17508T | 1-3/4 | 2-3/4 | 6.32 | VR27506F | 2-3/4 | 3-1/2 | 5.18 |
| VR18704B | 1-7/8 | 2-3/8 | 2.17 | VR27506T | 2-3/4 | 3-1/2 | 5.18 |
| VR18704F | 1-7/8 | 2-3/8 | 2.17 | VR27506U | 2-3/4 | 3-1/2 | 5.18 |
| VR18704R | 1-7/8 | 2-3/8 | 9.55 | VR27508F | 2-3/4 | 3-3/4 | 11.36 |
| VR18704T | 1-7/8 | 2-3/8 | 2.17 | VR30004B | 3 | 3-1/2 | 2.66 |
| VR18705B | 1-7/8 | 2-1/2 | 3.09 | VR30004F | 3 | 3-1/2 | 2.66 |
| VR18705F | 1-7/8 | 2-1/2 | 3.09 | VR30004R | 3 | 3-1/2 | 6.13 |
| VR18705T | 1-7/8 | 2-1/2 | 3.09 | VR30004T | 3 | 3-1/2 | 2.66 |
| VR20004B | 2 | 2-1/2 | 2.10 | VR30004U | 3 | 3-1/2 | 2.66 |
| VR20004F | 2 | 2-1/2 | 2.10 | VR30006B | 3 | 3-3/4 | 6.11 |
| VR20004R | 2 | 2-1/2 | 4.96 | VR30006F | 3 | 3-3/4 | 6.11 |
| VR20004T | 2 | 2-1/2 | 2.10 | VR30006T | 3 | 3-3/4 | 6.11 |
| VR20004U | 2 | 2-1/2 | 2.10 | VR30006U | 3 | 3-3/4 | 6.11 |
| VR20005B | 2 | 2-5/8 | 2.88 | VR32503B | 3-1/4 | 3-5/8 | 2.92 |
| VR20005F | 2 | 2-5/8 | 2.88 | VR32503F | 3-1/4 | 3-5/8 | 2.92 |
| VR20005T | 2 | 2-5/8 | 2.88 | VR32503T | 3-1/4 | 3-5/8 | 2.92 |
| VR20006B | 2 | 2-3/4 | 3.73 | VR32504B | 3-1/4 | 3-3/4 | 3.04 |
| VR20006F | 2 | 2-3/4 | 3.73 | VR32504F | 3-1/4 | 3-3/4 | 3.04 |
| VR20006T | 2 | 2-3/4 | 3.73 | VR32504T | 3-1/4 | 3-3/4 | 3.04 |
| VR20006U | 2 | 2-3/4 | 3.73 | VR32506B | 3-1/4 | 4 | 6.09 |
| VR22504B | 2-1/4 | 2-3/4 | 2.48 | VR32506F | 3-1/4 | 4 | 6.09 |
| VR22504F | 2-1/4 | 2-3/4 | 2.48 | VR32506T | 3-1/4 | 4 | 6.09 |
| VR22504T | 2-1/4 | 2-3/4 | 2.48 | VR34504F | 3.45 | 4 | 27.37 |
| VR22504U | 2-1/4 | 2-3/4 | 2.48 | VR35004B | 3-1/2 | 4 | 3.16 |

NORTH AMERICA
PHONE 1-800-777-5617
FAX 1-800-759-6391

SALES OFFICE HOURS
8 A.M. TO 7:30 P.M. EASTERN TIME
www.HerculesUS.com

WORLDWIDE
PHONE 1-727-796-1300
FAX 1-727-797-8849

INDIVIDUAL VEE RINGS & ADAPTORS

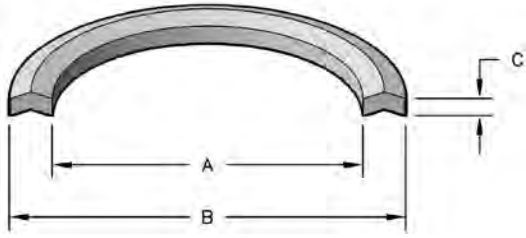
INDIVIDUAL VEE RINGS & ADAPTORS

| Part Number | A Nom. ID | B Nom. OD | List Price |
|-------------|-----------|-----------|------------|
| VR35004F | 3-1/2 | 4 | 3.16 |
| VR35004T | 3-1/2 | 4 | 3.16 |
| VR35004U | 3-1/2 | 4 | 3.16 |
| VR35005B | 3-1/2 | 4-1/8 | 13.62 |
| VR35005F | 3-1/2 | 4-1/8 | 6.33 |
| VR35005T | 3-1/2 | 4-1/8 | 18.22 |
| VR35006B | 3-1/2 | 4-1/4 | 5.76 |
| VR35006F | 3-1/2 | 4-1/4 | 5.76 |
| VR35006T | 3-1/2 | 4-1/4 | 5.76 |
| VR35006U | 3-1/2 | 4-1/4 | 7.51 |
| VR35008B | 3-1/2 | 4-1/2 | 10.10 |
| VR35008F | 3-1/2 | 4-1/2 | 9.79 |
| VR35008T | 3-1/2 | 4-1/2 | 9.79 |
| VR37504B | 3-3/4 | 4-1/4 | 3.46 |
| VR37504F | 3-3/4 | 4-1/4 | 3.46 |
| VR37504T | 3-3/4 | 4-1/4 | 3.46 |
| VR37505B | 3-3/4 | 4-3/8 | 8.68 |
| VR37505F | 3-3/4 | 4-3/8 | 8.68 |
| VR37505T | 3-3/4 | 4-3/8 | 8.68 |
| VR37506B | 3-3/4 | 4-1/2 | 6.96 |
| VR37506F | 3-3/4 | 4-1/2 | 6.96 |
| VR37506T | 3-3/4 | 4-1/2 | 6.96 |
| VR37506U | 3-3/4 | 4-1/2 | 6.96 |
| VR38707T | 3-7/8 | 4-3/4 | 12.02 |
| VR40004B | 4 | 4-1/2 | 4.35 |
| VR40004B-25 | 4 | 4-1/2 | 3.60 |
| VR40004F | 4 | 4-1/2 | 4.35 |
| VR40004T | 4 | 4-1/2 | 4.35 |
| VR40004U | 4 | 4-1/2 | 4.35 |
| VR40004R | 4 | 4-1/2 | 24.85 |
| VR40006B | 4 | 4-3/4 | 7.75 |
| VR40006F | 4 | 4-3/4 | 7.75 |
| VR40006T | 4 | 4-3/4 | 7.75 |
| VR40006U | 4 | 4-3/4 | 7.75 |
| VR40007F | 4 | 4-7/8 | 31.48 |
| VR40007T | 4 | 4-7/8 | 10.89 |
| VR40008B | 4 | 5 | 10.73 |
| VR40008F | 4 | 5 | 10.73 |
| VR40008T | 4 | 5 | 10.73 |
| VR40008U | 4 | 5 | 10.73 |
| VR42504B | 4-1/4 | 4-3/4 | 5.14 |
| VR42504F | 4-1/4 | 4-3/4 | 5.14 |
| VR42506B | 4-1/4 | 5 | 7.82 |
| VR42506F | 4-1/4 | 5 | 7.82 |
| VR42506T | 4-1/4 | 5 | 7.82 |
| VR42506U | 4-1/4 | 5 | 7.82 |
| VR42508B | 4-1/4 | 5-1/4 | 51.67 |
| VR42508F | 4-1/4 | 5-1/4 | 20.45 |
| VR42508T | 4-1/4 | 5-1/4 | 60.86 |
| VR45004B | 4-1/2 | 5 | 4.00 |
| VR45004F | 4-1/2 | 5 | 4.00 |
| VR45004T | 4-1/2 | 5 | 4.00 |
| VR45006F | 4-1/2 | 5-1/4 | 10.71 |
| VR47506B | 4-3/4 | 5-1/2 | 34.87 |
| VR47506F | 4-3/4 | 5-1/2 | 14.07 |
| VR47506T | 4-3/4 | 5-1/2 | 82.39 |
| VR50004B | 5 | 5-1/2 | 4.14 |
| VR50004F | 5 | 5-1/2 | 4.23 |

| Part Number | A Nom. ID | B Nom. OD | List Price |
|-------------|-----------|-----------|------------|
| VR50004R | 5 | 5-1/2 | 18.06 |
| VR50004T | 5 | 5-1/2 | 4.14 |
| VR50004U | 5 | 5-1/2 | 4.23 |
| VR50008B | 5 | 6 | 14.08 |
| VR50008F | 5 | 6 | 13.82 |
| VR50008T | 5 | 6 | 13.82 |
| VR52504B | 5-1/4 | 5-3/4 | 4.56 |
| VR52504F | 5-1/4 | 5-3/4 | 4.56 |
| VR52506B | 5-1/4 | 6 | 10.31 |
| VR52506F | 5-1/4 | 6 | 10.31 |
| VR52506T | 5-1/4 | 6 | 10.31 |
| VR52508F | 5-1/4 | 6-1/4 | 14.08 |
| VR55004B | 5-1/2 | 6 | 4.78 |
| VR55004F | 5-1/2 | 6 | 4.78 |
| VR55004T | 5-1/2 | 6 | 4.78 |
| VR55004U | 5-1/2 | 6 | 4.98 |
| VR55006F | 5-1/2 | 6-1/4 | 13.65 |
| VR55008B | 5-1/2 | 6-1/2 | 17.34 |
| VR55008F | 5-1/2 | 6-1/2 | 17.34 |
| VR55008R | 5-1/2 | 6-1/2 | 20.29 |
| VR55008T | 5-1/2 | 6-1/2 | 17.34 |
| VR57505T | 5-3/4 | 6-3/8 | 8.48 |
| VR57506F | 5-3/4 | 6-1/2 | 12.00 |
| VR57508F | 5-3/4 | 6-3/4 | 24.43 |
| VR60004B | 6 | 6-1/2 | 5.06 |
| VR60004F | 6 | 6-1/2 | 5.07 |
| VR60004T | 6 | 6-1/2 | 4.95 |
| VR60004U | 6 | 6-1/2 | 5.07 |
| VR60008B | 6 | 7 | 15.95 |
| VR60008F | 6 | 7 | 15.95 |
| VR60008T | 6 | 7 | 15.95 |
| VR62506B | 6-1/4 | 7 | 14.24 |
| VR62506F | 6-1/4 | 7 | 14.24 |
| VR62506T | 6-1/4 | 7 | 14.24 |
| VR65008B | 6-1/2 | 7-1/2 | 18.10 |
| VR65008F | 6-1/2 | 7-1/2 | 18.10 |
| VR67506F | 6-3/4 | 7-1/2 | 17.37 |
| VR70004B | 7 | 7-1/2 | 8.44 |
| VR70004F | 7 | 7-1/2 | 8.44 |
| VR70004T | 7 | 7-1/2 | 8.44 |
| VR70004U | 7 | 7-1/2 | 8.44 |
| VR70008B | 7 | 8 | 32.95 |
| VR70008F | 7 | 8 | 32.95 |
| VR70008T | 7 | 8 | 32.95 |
| VR75006F | 7-1/2 | 8-1/4 | 22.01 |
| VR75006U | 7-1/2 | 8-1/4 | 22.01 |
| VR75006T | 7-1/2 | 8-1/4 | 22.01 |
| VR75008F | 7-1/2 | 8-1/2 | 33.53 |
| VR79209.9F | 7.925 | 9.17 | 48.90 |
| VR79209.9R | 7.925 | 9.17 | 41.47 |
| VR80004B | 8 | 8-1/2 | 10.24 |
| VR80004F | 8 | 8-1/2 | 10.24 |
| VR80004T | 8 | 8-1/2 | 10.24 |
| VR80008F | 8 | 9 | 28.42 |



STYLE 935 PTFE VEE RINGS



HERCULES PART NUMBERS

935 - 05
Prefix Size

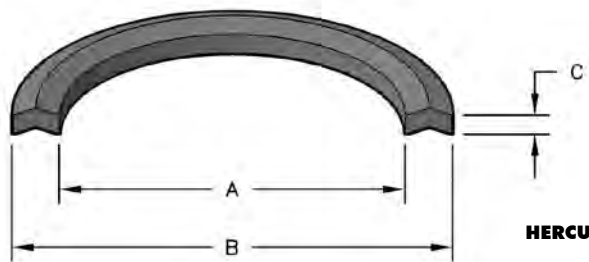
SEAL INFORMATION

| | |
|-------------------|------------------|
| MATERIAL | PTFE |
| TEMPERATURE RANGE | -100° TO +400° F |
| PRESSURE RANGE | 0 TO 5,000 PSI |
| SPEED | 12 FT/SEC |

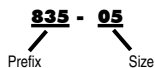
INDIVIDUAL VEE RINGS & ADAPTORS

| Part Number | A Nom. ID | B Nom. OD | C Nom. Ht | List Price |
|-------------|--------------|--------------|--------------|------------|
| 935-05 | 3/8 | 3/4 | .083 | \$7.59 |
| 935-16 | 3/4 | 1-1/4 | .083 | 7.10 |
| 935-20 | 1 | 1-1/2 | .083 | 7.28 |
| 935-24 | 1-1/4 | 1-3/4 | .083 | 7.66 |
| 935-26 | 1-3/8 | 2 | .14 | 8.04 |
| 935-27 | 1-1/2 | 2-1/8 | .14 | 8.35 |
| 935-128 | 1-3/4 | 2-1/4 | .083 | 8.95 |
| 935-29 | 1-3/4 | 2-3/8 | .14 | 9.17 |
| 935-31 | 2 | 2-5/8 | .14 | 10.59 |
| 935-2X2-3/4 | 2 | 2-3/4 | .14 | 10.84 |
| 935-32 | 2-1/8 | 2-3/4 | .14 | 10.98 |
| 935-33 | 2-1/4 | 2-7/8 | .14 | 11.25 |
| 935-35 | 2-1/2 | 3-1/8 | .14 | 13.31 |
| 935-135 | 2-5/8 | 3-1/4 | .14 | 13.57 |
| 935-38 | 2-3/4 | 3-1/2 | .156 | 15.28 |
| 935-41 | 3-1/8 | 3-7/8 | .156 | 16.01 |
| 935-42 | 3-1/4 | 4 | .156 | 16.56 |
| 935-44 | 3-1/2 | 4-1/4 | .156 | 19.27 |
| 935-46 | 3-3/4 | 4-1/2 | .156 | 21.68 |
| 935-48 | 3-7/8 | 4-3/4 | 5/32 | 27.62 |
| 935-50 | 4-1/4 | 5-1/8 | .197 | 54.86 |
| 935-51 | 4-1/2 | 5-3/8 | .197 | 55.65 |
| 935-156 | 5-3/4 | 6-3/8 | .14 | 31.42 |

STYLE 835 HOMOGENEOUS RUBBER VEE RINGS



HERCULES PART NUMBERS



| SEAL INFORMATION | |
|-------------------|-------------------|
| MATERIAL | 70A DURO BUNA-N |
| TEMPERATURE RANGE | -40° TO +220° F |
| PRESSURE RANGE | 0 TO 1,250 PSI |
| SPEED | 3 FT/SEC |
| PART NUMBER | (Prefix) - (Size) |

INDIVIDUAL VEE RINGS & ADAPTORS

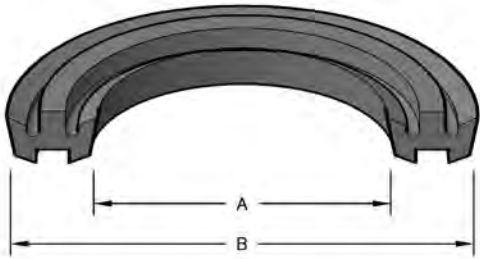
| Part Number | A Nom. ID | B Nom. OD | C Nom. Ht | List Price |
|-------------|--------------|--------------|--------------|------------|
| 835-05 | 3/8 | 3/4 | .083 | \$2.02 |
| 835-07 | 1/2 | 7/8 | .083 | 2.15 |
| 835-12 | 1/2 | 1 | .083 | 2.65 |
| 835-14 | 5/8 | 1-1/8 | | 4.00 |
| 835-14-90D | 5/8 | 1-1/8 | .083 | 4.00 |
| 835-16 | 3/4 | 1-1/4 | .083 | 2.70 |
| 835-20 | 1 | 1-1/2 | .083 | 2.94 |
| 835-20-90D | 1 | 1-1/2 | .083 | 2.94 |
| 835-22 | 1-1/8 | 1-5/8 | .083 | 3.03 |
| 835-24 | 1-1/4 | 1-3/4 | .083 | 3.11 |
| 835-25 | 1-1/4 | 1-7/8 | .14 | 3.17 |
| 835-400-90D | 1-3/8 | 1-7/8 | .083 | 5.18 |
| 835-26 | 1-3/8 | 2 | .14 | 3.23 |
| 835-26-90D | 1-3/8 | 2 | .14 | 3.23 |
| 835-27 | 1-1/2 | 2-1/8 | .14 | 3.34 |
| 835-28 | 1-5/8 | 2-1/4 | .14 | 3.54 |
| 835-128 | 1-3/4 | 2-1/4 | .14 | 10.58 |
| 835-29 | 1-3/4 | 2-3/8 | .14 | 4.22 |
| 835-29-90D | 1-3/4 | 2-3/8 | .14 | 6.11 |
| 835-31 | 2 | 2-5/8 | .14 | 5.08 |
| 835-31-90D | 2 | 2-5/8 | .14 | 5.08 |
| 835-2X2-3/4 | 2 | 2-3/4 | .14 | 6.38 |
| 835-32 | 2-1/8 | 2-3/4 | .14 | 6.38 |
| 835-33 | 2-1/4 | 2-7/8 | .14 | 6.46 |
| 835-133 | 2-7/16 | 3-3/16 | .14 | 20.07 |
| 835-35 | 2-1/2 | 3-1/8 | .14 | 7.25 |
| 835-35-90D | 2-1/2 | 3-1/8 | .14 | 7.25 |
| 835-38 | 2-3/4 | 3-1/2 | .156 | 8.07 |
| 835-40 | 3 | 3-3/4 | .156 | 7.20 |
| 835-40-90D | 3 | 3-3/4 | .158 | 7.20 |
| 835-41 | 3-1/8 | 3-7/8 | .156 | 8.27 |
| 835-42 | 3-1/4 | 4 | .156 | 8.58 |
| 835-44 | 3-1/2 | 4-1/4 | .156 | 9.53 |
| 835-46 | 3-3/4 | 4-1/2 | .156 | 10.37 |
| 835-48 | 3-7/8 | 4-3/4 | .156 | 16.88 |
| 835-49 | 4 | 4-7/8 | .197 | 32.96 |
| 835-50 | 4-1/4 | 5-1/8 | .197 | 15.53 |
| 835-51 | 4-1/2 | 5-3/8 | .197 | 13.26 |
| 835-55 | 5-1/2 | 6-3/8 | .197 | 17.80 |
| 835-156 | 5-3/4 | 6-3/8 | .14 | 14.33 |
| 835-57 | 5-3/4 | 6-3/4 | .197 | 17.10 |

FORMERLY LISTED SEALS ARE AVAILABLE ONLINE AT WWW.HERCULESUS.COM
OR BY CONTACTING YOUR REGIONAL HERCULES SALES TEAM.

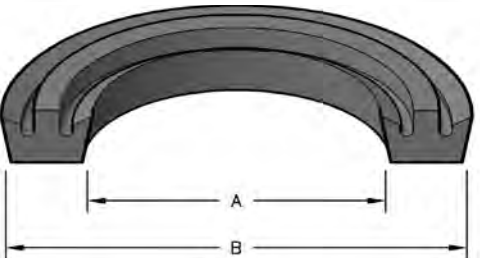
WV PACKING

Similar to Vee Packing, WV Packing is stacked in a pedestal fashion. Stacked rings do not require axial force to obtain proper lip interference. Also, stacked WV's have the advantage of redundancy - if one ring fails, the next ring will back it up. WV Packing is available as a Center Ring, Style 850 (Neo-Fab) and Style 851 (Buna-N); Flat Back, Style 852 (Neo Fab) and Style 853 (Buna-N); and Deep Base, Style 855 (Buna-N). Flat backs and center rings are usually used in sets, whereas deep base rings are used as single elements.

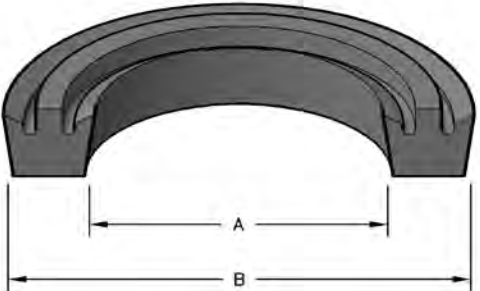
WV PACKING



CENTER RING
STYLE 850 & 851



FLAT BACK
STYLE 852 & 853



DEEP BASE
STYLE 855

A: NOMINAL RING STACK HEIGHT
B: GLAND DEPTH ±0.002"

SEAL INFORMATION

| | |
|-------------------|-------------------------------------|
| MATERIAL | FABRIC REINFORCED RUBBER AND BUNA-N |
| TEMPERATURE RANGE | -40° TO +250° F |
| PRESSURE RANGE | SEE CHART BELOW |
| SPEED | 1.5 FT/SEC |
| PART NUMBER | (Prefix) - (ID) - (OD) |

If your design is of medium to high pressure it is recommended that you utilize fabric reinforced rings. The following is a guide to pressure rating of multiple rings, including flat bottom rings.

| PRESSURE RATING OF MULTIPLE RINGS | |
|-----------------------------------|-----------------|
| PRESSURE P.S.I. | NUMBER OF RINGS |
| 250 - 500 | 3 |
| 500 - 2,000 | 4 |
| 2,000 - 5,000 | 5 |
| 5,000 - 8,000 | 6 |

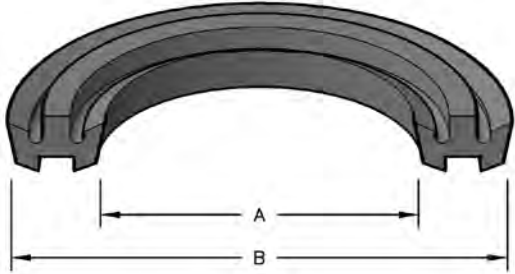
A homogeneous ring may be also used for sealing at low pressure. Do not include the homogeneous ring in calculating pressure rating. Due to the different material, it is difficult to rate this type of ring. If you wish to use all homogeneous rings, tests should be conducted to verify design stability.

A = Stack Height; B = Groove Depth ±.002

| Cross Section | 2 Rings | | 3 Rings | | 4 Rings | | 5 Rings | | 6 Rings | | 7 Rings | |
|---------------|---------|------|---------|-------|---------|-------|---------|-------|---------|-------|---------|-------|
| | A | B | A | B | A | B | A | B | A | B | A | B |
| 1/4" | .266 | .280 | .375 | .392 | .484 | .504 | .594 | .616 | .704 | .728 | .814 | .840 |
| 5/16" | .332 | .346 | .469 | .486 | .605 | .625 | .742 | .764 | .879 | .903 | 1.020 | 1.042 |
| 3/8" | .398 | .412 | .562 | .579 | .726 | .746 | .890 | .912 | 1.054 | 1.078 | 1.218 | 1.244 |
| 7/16" | .468 | .482 | .656 | .673 | .848 | .868 | 1.039 | 1.061 | 1.230 | 1.254 | 1.421 | 1.447 |
| 1/2" | .531 | .545 | .750 | .767 | .969 | .989 | 1.187 | 1.209 | 1.405 | 1.429 | 1.623 | 1.649 |
| 5/8" | .667 | .695 | .943 | .978 | 1.220 | 1.260 | 1.496 | 1.541 | 1.772 | 1.821 | 2.048 | 2.101 |
| 3/4" | .800 | .828 | 1.132 | 1.167 | 1.464 | 1.504 | 1.795 | 1.840 | 2.126 | 2.175 | 2.475 | 2.528 |



STYLE 850 WV PACKING



STYLE 850 - NEO FAB

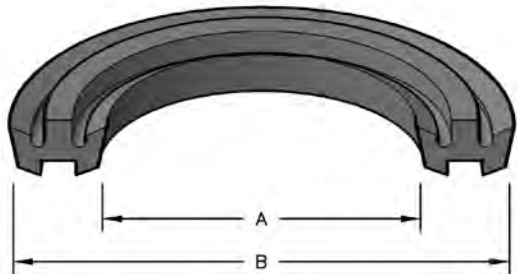
HERCULES PART NUMBERS

850 - 0.62 X 1.12
 Prefix Inside Diameter Outside Diameter

| Part Number | A Nom. ID | B Nom. OD | List Price |
|----------------|--------------|--------------|------------|
| 850-0.62X1.12 | 5/8 | 1-1/8 | \$6.80 |
| 850-0.75X1.25 | 3/4 | 1-1/4 | 11.56 |
| 850-1.00X1.50 | 1 | 1-1/2 | 8.74 |
| 850-1.12X1.75 | 1-1/8 | 1-3/4 | 8.68 |
| 850-1.25X1.75 | 1-1/4 | 1-3/4 | 21.75 |
| 850-1.25X2.00 | 1-1/4 | 2 | 11.20 |
| 850-1.50X2.00 | 1-1/2 | 2 | 8.92 |
| 850-1.75X2.25 | 1-3/4 | 2-1/4 | 20.82 |
| 850-1.87X2.37 | 1-7/8 | 2-3/8 | 23.71 |
| 850-2.00X2.50 | 2 | 2-1/2 | 9.16 |
| 850-2.00X3.00 | 2 | 3 | 16.62 |
| 850-2.25X2.75 | 2-1/4 | 2-3/4 | 10.12 |
| 850-2.45X3.002 | 2.45 | 3.002 | 29.41 |
| 850-2.50X3.00 | 2-1/2 | 3 | 19.53 |
| 850-2.75X3.50 | 2-3/4 | 3-1/2 | 20.56 |
| 850-3.43X4.00 | 3-7/16 | 4 | 12.85 |
| 850-3.50X4.50 | 3-1/2 | 4-1/2 | 26.67 |
| 850-3.68X4.25 | 3-11/16 | 4-1/4 | 23.48 |
| 850-3.95X4.50 | 3.95 | 4-1/2 | 41.50 |
| 850-4.25X5.00 | 4-1/4 | 5 | 28.65 |

WV PACKING

STYLE 851 WV PACKING



STYLE 851 - BUNA-N

HERCULES PART NUMBERS

851 - 0.62 X 1.12

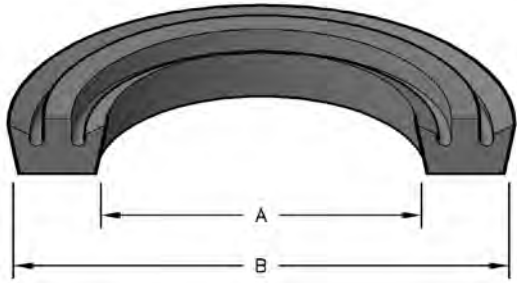
Prefix Inside Diameter Outside Diameter

| Part Number | A Nom. ID | B Nom. OD | List Price |
|---------------|--------------|--------------|------------|
| 851-0.62X1.12 | 5/8 | 1-1/8 | \$14.56 |
| 851-0.75X1.25 | 3/4 | 1-1/4 | 6.93 |
| 851-0.87X1.37 | 7/8 | 1-3/8 | 8.56 |
| 851-1.00X1.50 | 1 | 1-1/2 | 7.37 |
| 851-1.05X1.63 | 1-1/16 | 1-5/8 | 33.82 |
| 851-1.12X1.87 | 1-1/8 | 1-7/8 | 37.51 |
| 851-1.25X1.75 | 1-1/4 | 1-3/4 | 8.40 |
| 851-1.25X1.87 | 1-1/4 | 1-7/8 | 15.53 |
| 851-1.37X1.87 | 1-3/8 | 1-7/8 | 7.67 |
| 851-1.50X2.00 | 1-1/2 | 2 | 13.79 |
| 851-1.50X2.12 | 1-1/2 | 2-1/8 | 8.94 |
| 851-1.75X2.25 | 1-3/4 | 2-1/4 | 9.07 |
| 851-1.87X2.37 | 1-7/8 | 2-3/8 | 20.89 |
| 851-2.00X2.50 | 2 | 2-1/2 | 9.16 |
| 851-2.12X2.75 | 2-1/8 | 2-3/4 | 9.32 |
| 851-2.25X2.75 | 2-1/4 | 2-3/4 | 10.12 |
| 851-2.37X3.00 | 2-3/8 | 3 | 19.56 |
| 851-2.50X3.00 | 2-1/2 | 3 | 10.52 |
| 851-2.75X3.50 | 2-3/4 | 3-1/2 | 16.62 |
| 851-2.95X3.45 | 2.95 | 3.45 | 10.52 |
| 851-3.00X3.62 | 3 | 3-5/8 | 12.00 |
| 851-3.00X4.00 | 3 | 4 | 39.11 |
| 851-3.18X3.81 | 3-3/16 | 3-13/16 | 20.74 |
| 851-3.43X4.00 | 3-7/16 | 4 | 14.26 |
| 851-3.45X4.00 | 3.45 | 4 | 12.85 |
| 851-3.68X4.25 | 3-11/16 | 4-1/4 | 29.53 |
| 851-3.95X4.50 | 3.95 | 4-1/2 | 24.76 |
| 851-4.43X5.00 | 4-7/16 | 5 | 28.84 |
| 851-4.50X5.00 | 4-1/2 | 5 | 28.84 |
| 851-4.93X5.68 | 4-15/16 | 5-11/16 | 30.34 |

WV PACKING



STYLE 852 WV PACKING



STYLE 852 - NEO FAB

HERCULES PART NUMBERS

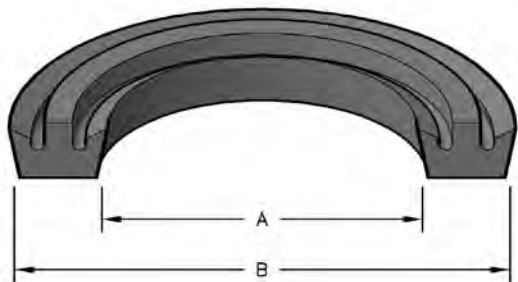
852 - 0.62 X 1.12

Prefix Inside Diameter Outside Diameter

WV PACKING

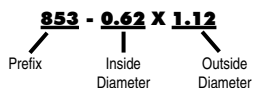
| Part Number | A Nom. ID | B Nom. OD | List Price |
|---------------|--------------|--------------|------------|
| 852-0.62X1.12 | 5/8 | 1-1/8 | \$19.79 |
| 852-0.75X1.25 | 3/4 | 1-1/4 | 13.82 |
| 852-1.00X1.50 | 1 | 1-1/2 | 7.10 |
| 852-1.25X1.75 | 1-1/4 | 1-3/4 | 20.80 |
| 852-1.25X2.00 | 1-1/4 | 2 | 10.78 |
| 852-1.37X2.12 | 1-3/8 | 2-1/8 | 11.17 |
| 852-1.50X2.00 | 1-1/2 | 2 | 23.77 |
| 852-1.50X2.12 | 1-1/2 | 2-1/8 | 8.64 |
| 852-1.75X2.25 | 1-3/4 | 2-1/4 | 8.75 |
| 852-1.87X2.37 | 1-7/8 | 2-3/8 | 17.27 |
| 852-2.00X2.50 | 2 | 2-1/2 | 8.82 |
| 852-2.50X3.00 | 2-1/2 | 3 | 20.57 |
| 852-2.75X3.50 | 2-3/4 | 3-1/2 | 16.02 |
| 852-2.95X3.45 | 2.95 | 3.45 | 21.33 |
| 852-3.00X4.00 | 3 | 4 | 21.43 |
| 852-3.45X4.00 | 3.45 | 4 | 31.05 |
| 852-3.50X4.50 | 3-1/2 | 4-1/2 | 28.78 |
| 852-3.68X4.25 | 3-11/16 | 4-1/4 | 27.53 |
| 852-3.95X4.50 | 3.95 | 4-1/2 | 23.86 |
| 852-4.25X5.00 | 4-1/4 | 5 | 27.59 |
| 852-4.43X5.00 | 4-7/16 | 5 | 27.78 |
| 852-4.50X5.00 | 4-1/2 | 5 | 27.78 |

STYLE 853 WV PACKING



STYLE 853 - BUNA-N

HERCULES PART NUMBERS

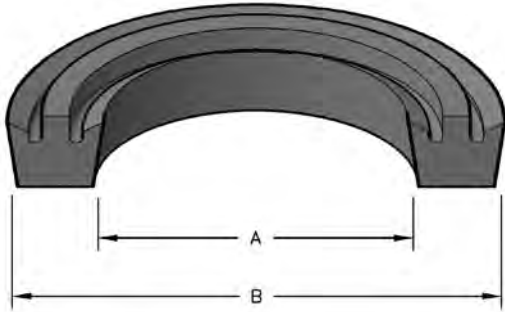


| Part Number | A Nom. ID | B Nom. OD | List Price |
|---------------|--------------|--------------|------------|
| 853-0.62X1.12 | 5/8 | 1-1/8 | \$6.55 |
| 853-0.87X1.37 | 7/8 | 1-3/8 | 6.94 |
| 853-1.00X1.50 | 1 | 1-1/2 | 7.10 |
| 853-1.25X1.87 | 1-1/4 | 1-7/8 | 8.12 |
| 853-2.00X2.50 | 2 | 2-1/2 | 21.45 |
| 853-2.12X2.75 | 2-1/8 | 2-3/4 | 22.22 |
| 853-3.00X3.62 | 3 | 3-5/8 | 16.44 |

WV PACKING



STYLE 855 WV PACKING



HERCULES PART NUMBERS

855 - 0.75 X 1.25

Prefix Inside Diameter Outside Diameter

STYLE 855 - BUNA-N

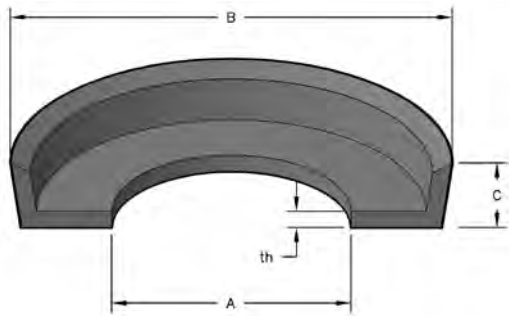
C = Carboxilated Nitrile

| Part Number | A Nom. ID | B Nom. OD | List Price |
|-----------------|--------------|--------------|------------|
| 855-0.75X1.25 | 3/4 | 1-1/4 | \$13.00 |
| 855-1.00X1.50 | 1 | 1-1/2 | 11.32 |
| 855-1.25X1.87 | 1-1/4 | 1-7/8 | 19.34 |
| 855-1.37X2.00 | 1-3/8 | 2 | 9.51 |
| 855-1.50X2.12 | 1-1/2 | 2-1/8 | 8.89 |
| 855-2.00X3.00 | 2 | 3 | 18.87 |
| 855-2.37X3.00 | 2-3/8 | 3 | 11.43 |
| 855-2.37X3.00-C | 2-3/8 | 3 | 7.70 |
| 855-3.25X4.00 | 3-1/4 | 4 | 20.48 |

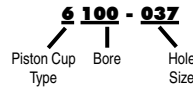
WV PACKING

STYLE 6000 RUBBER PISTON CUPS

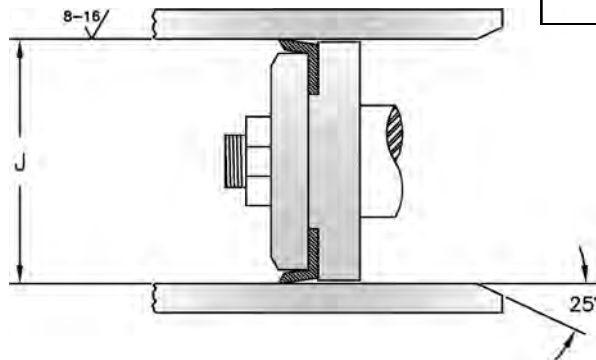
NOTE: The 6000 piston cups are center punched if there is no hole size indicated.



HERCULES PART NUMBERS



| SEAL INFORMATION | |
|-------------------|-----------------|
| MATERIAL | BUNA-N RUBBER |
| TEMPERATURE RANGE | -40° TO +220° F |
| PRESSURE RANGE | 0 TO 150 PSI |
| SPEED | 3 FT/SEC |



PISTON CUPS

| Part Number | A Nom. ID | B Nom. OD | C Nom. Ht | J BORE DIAMETER | th THICKNESS | List Price |
|--------------|--------------|--------------|--------------|--------------------|-----------------|------------|
| 6062 | N/A | 5/8 | .305 | .625 | .115 | \$7.57 |
| 6075 | N/A | 3/4 | 5/16 | .750 | .093 | 4.37 |
| 6100 | N/A | 1 | 7/16 | 1.000 | .093 | 4.64 |
| 6100-037 | 3/8 | 1 | 7/16 | 1.000 | .093 | 4.64 |
| 6125 | N/A | 1-1/4 | 1/2 | 1.250 | .125 | 5.34 |
| 6137 | N/A | 1-3/8 | 1/2 | 1.375 | .125 | 5.45 |
| 6150 | N/A | 1-1/2 | 1/2 | 1.500 | .125 | 5.45 |
| 6150-062 | 5/8 | 1-1/2 | 1/2 | 1.500 | .125 | 5.45 |
| 6162 | N/A | 1-5/8 | 1/2 | 1.625 | .125 | 5.29 |
| 6175 | N/A | 1-3/4 | 1/2 | 1.750 | .125 | 5.80 |
| 6187 | N/A | 1-7/8 | 1/2 | 1.875 | .125 | 10.30 |
| 6200 | N/A | 2 | 1/2 | 2.000 | .125 | 6.05 |
| 6225 | N/A | 2-1/4 | 1/2 | 2.250 | .125 | 6.51 |
| 6237-050 | 1/2 | 2-3/8 | 1/2 | 2.375 | .125 | 6.72 |
| 6237-100 | 1 | 2-3/8 | 1/2 | 2.375 | .125 | 6.72 |
| 6250 | N/A | 2-1/2 | 1/2 | 2.500 | .125 | 6.88 |
| 6250-062 | 5/8 | 2-1/2 | 1/2 | 2.500 | .125 | 7.45 |
| 6262 | N/A | 2-5/8 | 1/2 | 2.625 | .125 | 7.06 |
| 6275 | N/A | 2-3/4 | 1/2 | 2.750 | .125 | 7.25 |
| 6275-068 | 11/16 | 2-3/4 | 1/2 | 2.750 | .125 | 7.25 |
| 6287 | N/A | 2-7/8 | 1/2 | 2.875 | .125 | 7.47 |
| 6300 | N/A | 3 | 5/8 | 3.000 | .156 | 7.50 |
| 6312 | N/A | 3-1/8 | 5/8 | 3.125 | .156 | 7.39 |
| 6325 | N/A | 3-1/4 | 5/8 | 3.250 | .156 | 9.09 |
| 6350 | N/A | 3-1/2 | 5/8 | 3.500 | .156 | 15.96 |
| 6375 | N/A | 3-3/4 | 5/8 | 3.750 | .156 | 16.50 |
| 6400 | N/A | 4 | 5/8 | 4.000 | .156 | 9.71 |
| 6400-275-90D | 2-3/4 | 4 | 5/8 | 4.000 | .156 | 10.63 |
| 6425 | N/A | 4-1/4 | 5/8 | 4.250 | .156 | 10.99 |
| 6450 | N/A | 4-1/2 | 5/8 | 4.500 | .156 | 16.85 |

FORMERLY LISTED SEALS ARE AVAILABLE ONLINE AT WWW.HERCULESUS.COM
OR BY CONTACTING YOUR REGIONAL HERCULES SALES TEAM.



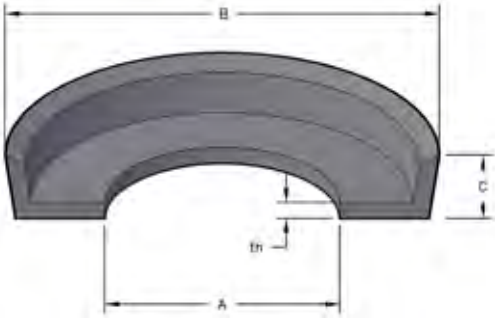
STYLE 6000 RUBBER PISTON CUPS

| Part Number | A Nom. ID | B Nom. OD | C Nom. Ht | J BORE DIAMETER | th THICKNESS | List Price |
|---------------|--------------|--------------|--------------|--------------------|-----------------|---------------|
| 6475 | N/A | 4-3/4 | 5/8 | 4.750 | .156 | 13.14 |
| 6500 | N/A | 5 | 3/4 | 5.000 | .187 | 23.72 |
| 6500-075 | 3/4 | 5 | 3/4 | 5.000 | .187 | 23.79 |
| 6550 | N/A | 5-1/2 | 3/4 | 5.500 | .187 | 16.08 |
| 6575 | N/A | 5-3/4 | 3/4 | 5.750 | .187 | 14.77 |
| 6600 | N/A | 6 | 3/4 | 6.000 | .187 | 17.97 |
| 6610 | N/A | 6 | 1 | 6.000 | .187 | 25.35 |
| 6600-100 | 1 | 6 | 3/4 | 6.000 | .187 | 17.97 |
| 6600-400-90D | 4 | 6 | 3/4 | 6.000 | .187 | 19.48 |
| 6625 | N/A | 6-1/4 | 3/4 | 6.250 | .187 | 19.43 |
| 6650 | N/A | 6-1/2 | 3/4 | 6.500 | .187 | 20.64 |
| 6700 | N/A | 7 | 3/4 | 7.000 | .187 | 25.63 |
| 6800 | N/A | 8 | 1 | 8.000 | .187 | 34.59 |
| 6800-525A-90D | 5-1/4 | 8 | 3/4 | 8.000 | .187 | 33.22 |
| 6900 | N/A | 9 | 1 | 9.000 | .187 | 38.91 |
| 61000 | N/A | 10 | 1 | 10.000 | .187 | 39.24 |
| 61200 | N/A | 12 | 1 | 12.000 | .187 | 69.50 |
| 61400 | N/A | 14 | 1 | 14.000 | .187 | 71.32 |

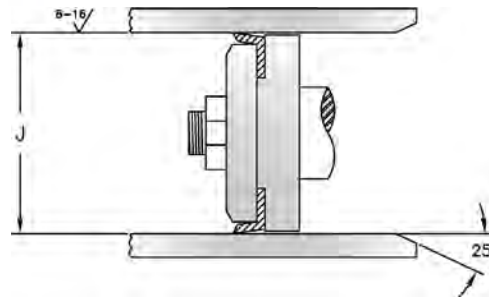
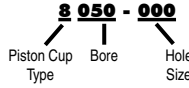
PISTON CUPS

STYLE 8000 URETHANE PISTON CUPS

NOTE: The 8000 piston cups are center punched



HERCULES PART NUMBERS



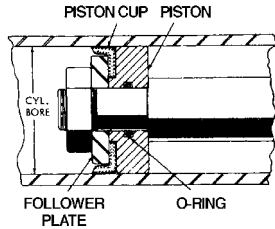
To obtain best results from any style of piston cup, it is recommended that the piston properly support the heel of the cup.

Recommended diametral clearance between the piston and cylinder wall are as follows:

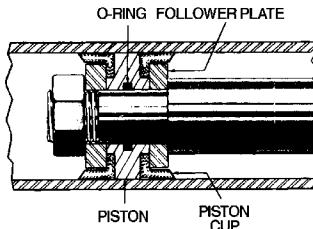
| | |
|------------------|-------|
| 1" to 2-1/4" | .005" |
| 2-1/2" to 4-3/4" | .008" |
| 5" to 10" | .010" |

The following piston designs meet standard industry practices:

SINGLE ACTING PISTON



DOUBLE ACTING PISTON



| SEAL INFORMATION | |
|-------------------|-----------------|
| MATERIAL | 90A URETHANE |
| TEMPERATURE RANGE | -65° TO +220° F |
| PRESSURE RANGE | 0 TO 1,200 PSI |
| SPEED | 3 FT/SEC |

The height of the machined shoulder most frequently used to control squeeze on the heel of the cup is as follows:

| | |
|------------------|------------|
| Cups 1/8" thick | .116/.119" |
| Cups 5/32" thick | .146/.149" |
| Cups 3/16" thick | .178/.181" |

The follower plate should be approximately .110" smaller than the ID of the cup. To reduce any tendency of the cup to extrude under pressure a phonograph finish may be machined on the surface of the follower plate.

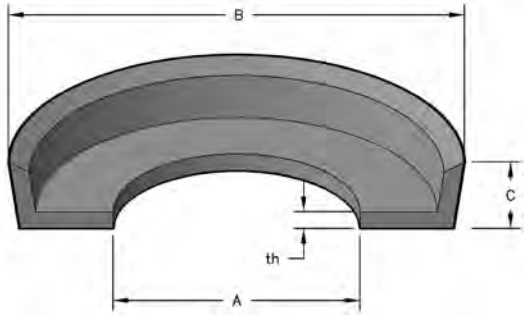
| Part Number | A Nom. ID | B Nom. OD | C Nom. Ht | J BORE DIAMETER | C LIP HEIGHT | th THICKNESS | List Price |
|-------------|--------------|--------------|--------------|--------------------|-----------------|-----------------|------------|
| 8050-000 | N/A | 1/2 | 1/4 | .500 | .250 | .09375 | \$7.59 |
| 8100-000 | N/A | 1 | 1/2 | 1.000 | .500 | .125 | 8.17 |
| 8150-000 | N/A | 1-1/2 | 1/2 | 1.500 | .500 | .125 | 11.20 |
| 8175-000 | N/A | 1-3/4 | 1/2 | 1.750 | .500 | .125 | 13.05 |
| 8275-000 | N/A | 2-3/4 | 5/8 | 2.750 | .625 | .1875 | 19.71 |
| 8300-000 | N/A | 3 | 5/8 | 3.000 | .625 | .1875 | 20.25 |
| 8325-000 | N/A | 3-1/4 | 5/8 | 3.250 | .625 | .1875 | 22.39 |
| 8337-000 | N/A | 3-3/8 | 5/8 | 3.375 | .625 | .1875 | 24.34 |
| 8350-000 | N/A | 3-1/2 | 5/8 | 3.500 | .625 | .1875 | 26.33 |
| 8400-000 | N/A | 4 | 5/8 | 4.000 | .625 | .1875 | 30.44 |
| 8450-000 | N/A | 4-1/2 | 5/8 | 4.500 | .625 | .1875 | 39.03 |
| 8500-000 | N/A | 5 | 5/8 | 5.000 | .625 | .1875 | 39.88 |
| 8550-000 | N/A | 5-1/2 | 3/4 | 5.500 | .750 | .1875 | 40.72 |
| 8600-000 | N/A | 6 | 3/4 | 6.000 | .750 | .1875 | 45.49 |
| 8650-000 | N/A | 6-1/2 | 3/4 | 6.500 | .750 | .1875 | 46.14 |

FORMERLY LISTED SEALS ARE AVAILABLE ONLINE AT WWW.HERCULESUS.COM
OR BY CONTACTING YOUR REGIONAL HERCULES SALES TEAM.

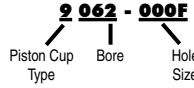


STYLE 9000 NEO-FAB PISTON CUPS

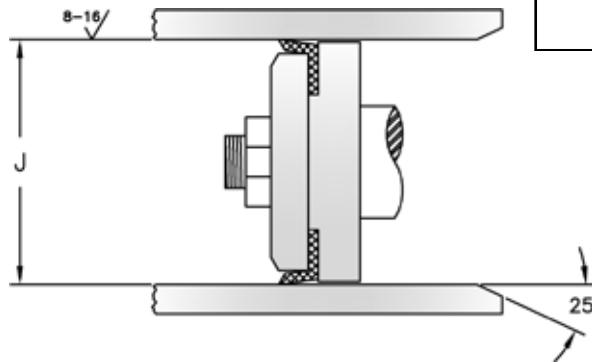
Piston cups are constructed of rubberized fabric. Cups with no hole are center punched.



HERCULES PART NUMBERS



| SEAL INFORMATION | |
|-------------------|------------------------|
| MATERIAL | COTTON FABRIC & RUBBER |
| TEMPERATURE RANGE | -35° TO +220° F |
| PRESSURE RANGE | 0 TO 2,500 PSI |
| SPEED | 1.5 FT/SEC |



PISTON CUPS

| Part Number | A Nom. ID | B Nom. OD | C Nom. Ht | J BORE DIAMETER | th THICKNESS | List Price |
|-------------|--------------|--------------|--------------|--------------------|-----------------|------------|
| 9062-000F | N/A | 5/8 | 5/16 | .625 | .09375 | \$20.82 |
| 9075-000F | N/A | 3/4 | 7/16 | .750 | .09375 | 6.13 |
| 9087-000F | N/A | 7/8 | 3/8 | .875 | .09375 | 11.53 |
| 9100-000F | N/A | 1 | 7/16 | 1.000 | .09375 | 20.75 |
| 9100-025F | 1/4 | 1 | 7/16 | 1.000 | .09375 | 6.44 |
| 9100-037F | 3/8 | 1 | 7/16 | 1.000 | .09375 | 18.84 |
| 9100-050F | 1/2 | 1 | 7/16 | 1.000 | .09375 | 6.44 |
| 9112-000F | N/A | 1-1/8 | 7/16 | 1.125 | .09375 | 7.38 |
| 9125-000F | N/A | 1-1/4 | 7/16 | 1.250 | .09375 | 7.70 |
| 9125-037F | 3/8 | 1-1/4 | 7/16 | 1.250 | .09375 | 7.70 |
| 9137-000F | N/A | 1-3/8 | 7/16 | 1.375 | .09375 | 7.59 |
| 9137-062F | 5/8 | 1-3/8 | 7/16 | 1.375 | .09375 | 7.59 |
| 9150-000F | N/A | 1-1/2 | 1/2 | 1.500 | .125 | 9.08 |
| 9150-037F | 3/8 | 1-1/2 | 1/2 | 1.500 | .125 | 9.08 |
| 9150-062F | 5/8 | 1-1/2 | 1/2 | 1.500 | .125 | 9.08 |
| 9162-000F | N/A | 1-5/8 | 1/2 | 1.625 | .125 | 22.23 |
| 9175-000F | N/A | 1-3/4 | 1/2 | 1.750 | .125 | 10.42 |
| 9175-062F | 5/8 | 1-3/4 | 1/2 | 1.750 | .125 | 10.42 |
| 9175-069F | 11/16 | 1-3/4 | 1/2 | 1.750 | .125 | 10.42 |
| 9187-000F | N/A | 1-7/8 | 1/2 | 1.875 | .125 | 10.77 |
| 9187-062F | 5/8 | 1-7/8 | 1/2 | 1.875 | .125 | 10.77 |
| 9200-000F | N/A | 2 | 1/2 | 2.000 | .125 | 11.18 |
| 9200-037F | 3/8 | 2 | 1/2 | 2.000 | .125 | 11.18 |
| 9200-050F | 1/2 | 2 | 1/2 | 2.000 | .125 | 11.18 |
| 9200-062F | 5/8 | 2 | 1/2 | 2.000 | .125 | 11.18 |
| 9200-100F | 1 | 2 | 1/2 | 2.000 | .125 | 11.18 |
| 9212-000F | N/A | 2-1/8 | 1/2 | 2.125 | .125 | 14.09 |
| 9225-000F | N/A | 2-1/4 | 1/2 | 2.250 | .125 | 11.67 |
| 9225-075F | 3/4 | 2-1/4 | 1/2 | 2.250 | .125 | 11.67 |
| 9225-100F | 1 | 2-1/4 | 1/2 | 2.250 | .125 | 11.67 |

NORTH AMERICA
PHONE 1-800-777-5617
FAX 1-800-759-6391

SALES OFFICE HOURS
8 A.M. TO 7:30 P.M. EASTERN TIME
www.HerculesUS.com

WORLDWIDE
PHONE 1-727-796-1300
FAX 1-727-797-8849

STYLE 9000 NEO-FAB PISTON CUPS

| Part Number | A Nom. ID | B Nom. OD | C Nom. Ht | J BORE DIAMETER | th THICKNESS | List Price |
|-------------|--------------|--------------|--------------|--------------------|-----------------|------------|
| 9237-000F | N/A | 2-3/8 | 1/2 | 2.375 | .125 | 11.67 |
| 9237-050F | 1/2 | 2-3/8 | 1/2 | 2.375 | .125 | 11.67 |
| 9237-100F | 1 | 2-3/8 | 1/2 | 2.375 | .125 | 11.67 |
| 9250-000F | N/A | 2-1/2 | 1/2 | 2.500 | .125 | 11.62 |
| 9250-037F | 3/8 | 2-1/2 | 1/2 | 2.500 | .125 | 12.75 |
| 9250-062F | 5/8 | 2-1/2 | 1/2 | 2.500 | .125 | 12.75 |
| 9250-075F | 3/4 | 2-1/2 | 1/2 | 2.500 | .125 | 12.75 |
| 9250-100F | 1 | 2-1/2 | 1/2 | 2.500 | .125 | 12.75 |
| 9250-125F | 1-1/4 | 2-1/2 | 1/2 | 2.500 | .125 | 12.75 |
| 9250-137F | 1-3/8 | 2-1/2 | 1/2 | 2.500 | .125 | 12.75 |
| 9262-000F | N/A | 2-5/8 | 1/2 | 2.625 | .125 | 26.42 |
| 9275-000F | N/A | 2-3/4 | 1/2 | 2.750 | .125 | 13.78 |
| 9275-075F | 3/4 | 2-3/4 | 1/2 | 2.750 | .125 | 13.78 |
| 9275-100F | 1 | 2-3/4 | 1/2 | 2.750 | .125 | 13.78 |
| 9275-150F | 1-1/2 | 2-3/4 | 1/2 | 2.750 | .125 | 13.78 |
| 9287-000F | N/A | 2-7/8 | 1/2 | 2.875 | .125 | 36.13 |
| 9300-000F | N/A | 3 | 5/8 | 3.000 | .15625 | 14.89 |
| 9300-050F | 1/2 | 3 | 5/8 | 3.000 | .15625 | 14.89 |
| 9300-100F | 1 | 3 | 5/8 | 3.000 | .15625 | 14.89 |
| 9300-125F | 1-1/4 | 3 | 5/8 | 3.000 | .15625 | 14.89 |
| 9300-137F | 1-3/8 | 3 | 5/8 | 3.000 | .15625 | 14.89 |
| 9300-150F | 1-1/2 | 3 | 5/8 | 3.000 | .15625 | 14.89 |
| 9300-162F | 1-5/8 | 3 | 5/8 | 3.000 | .15625 | 14.89 |
| 9300-175F | 1-3/4 | 3 | 5/8 | 3.000 | .15625 | 14.89 |
| 9300-187F | 1-7/8 | 3 | 5/8 | 3.000 | .15625 | 14.89 |
| 9312-100F | 1 | 3-1/8 | 5/8 | 3.125 | .15625 | 19.93 |
| 9325-000F | N/A | 3-1/4 | 5/8 | 3.250 | .15625 | 18.74 |
| 9325-037F | 3/8 | 3-1/4 | 5/8 | 3.250 | .15625 | 17.61 |
| 9325-050F | 1/2 | 3-1/4 | 5/8 | 3.250 | .15625 | 17.61 |
| 9325-100F | 1 | 3-1/4 | 5/8 | 3.250 | .15625 | 17.61 |
| 9337-037F | 3/8 | 3-3/8 | 5/8 | 3.375 | .15625 | 48.51 |
| 9350-000F | N/A | 3-1/2 | 5/8 | 3.500 | .15625 | 18.65 |
| 9350-025F | 1/4 | 3-1/2 | 5/8 | 3.500 | .15625 | 18.65 |
| 9350-050F | 1/2 | 3-1/2 | 5/8 | 3.500 | .15625 | 18.65 |
| 9350-100F | 1 | 3-1/2 | 5/8 | 3.500 | .15625 | 18.65 |
| 9350-125F | 1-1/4 | 3-1/2 | 5/8 | 3.500 | .15625 | 21.64 |
| 9350-150F | 1-1/2 | 3-1/2 | 5/8 | 3.500 | .15625 | 18.65 |
| 9350-187F | 1-7/8 | 3-1/2 | 5/8 | 3.500 | .15625 | 18.65 |
| 9350-200F | 2 | 3-1/2 | 5/8 | 3.500 | .15625 | 21.93 |
| 9350-237F | 2-3/8 | 3-1/2 | 5/8 | 3.500 | .15625 | 18.65 |
| 9362-000F | N/A | 3-5/8 | 5/8 | 3.625 | .15625 | 26.62 |
| 9375-000F | N/A | 3-3/4 | 5/8 | 3.750 | .15625 | 22.36 |
| 9375-050F | 1/2 | 3-3/4 | 5/8 | 3.750 | .15625 | 22.36 |
| 9375-075F | 3/4 | 3-3/4 | 5/8 | 3.750 | .15625 | 19.67 |
| 9387-000F | N/A | 3-7/8 | 5/8 | 3.875 | .15625 | 47.19 |
| 9400-000F | N/A | 4 | 5/8 | 4.000 | .15625 | 21.01 |
| 9400-050F | 1/2 | 4 | 5/8 | 4.000 | .15625 | 21.01 |
| 9400-150F | 1-1/2 | 4 | 5/8 | 4.000 | .15625 | 21.01 |
| 9400-162F | 1-5/8 | 4 | 5/8 | 4.000 | .15625 | 21.01 |
| 9400-175F | 1-3/4 | 4 | 5/8 | 4.000 | .15625 | 25.33 |
| 9400-187F | 1-7/8 | 4 | 5/8 | 4.000 | .15625 | 21.01 |
| 9400-200F | 2 | 4 | 5/8 | 4.000 | .15625 | 21.01 |
| 9400-225F | 2-1/4 | 4 | 5/8 | 4.000 | .15625 | 21.01 |
| 9400-250F | 2-1/2 | 4 | 5/8 | 4.000 | .15625 | 21.01 |
| 9425-000F | N/A | 4-1/4 | 5/8 | 4.250 | .15625 | 53.16 |
| 9425-137F | 1-3/8 | 4-1/4 | 5/8 | 4.250 | .15625 | 25.84 |
| 9450-000F | N/A | 4-1/2 | 5/8 | 4.500 | .15625 | 26.19 |
| 9450-075F | 3/4 | 4-1/2 | 5/8 | 4.500 | .15625 | 26.19 |

PISTON CUPS



STYLE 9000 NEO-FAB PISTON CUPS

PISTON CUPS

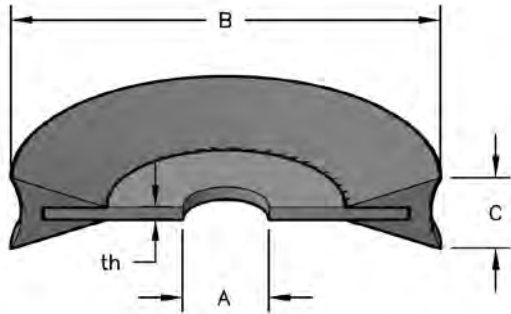
| Part Number | A Nom. ID | B Nom. OD | C Nom. Ht | J BORE DIAMETER | th THICKNESS | List Price |
|-------------|--------------|--------------|--------------|--------------------|-----------------|---------------|
| 9450-187F | 1-7/8 | 4-1/2 | 5/8 | 4.500 | .15625 | 26.19 |
| 9450-225F | 2-1/4 | 4-1/2 | 5/8 | 4.500 | .15625 | 26.19 |
| 9450-250F | 2-1/2 | 4-1/2 | 5/8 | 4.500 | .15625 | 26.19 |
| 9475-000F | N/A | 4-3/4 | 5/8 | 4.750 | .15625 | 56.27 |
| 9475-050F | 1/2 | 4-3/4 | 5/8 | 4.750 | .15625 | 41.13 |
| 9500-000F | N/A | 5 | 3/4 | 5.000 | .1875 | 32.00 |
| 9500-100F | 1 | 5 | 3/4 | 5.000 | .1875 | 32.00 |
| 9500-125F | 1-1/4 | 5 | 3/4 | 5.000 | .1875 | 32.00 |
| 9500-250F | 2-1/2 | 5 | 3/4 | 5.000 | .1875 | 32.00 |
| 9525-050F | 1/2 | 5-1/4 | 3/4 | 5.250 | .1875 | 33.05 |
| 9550-000F | N/A | 5-1/2 | 3/4 | 5.500 | .1875 | 33.67 |
| 9550-125F | 1-1/4 | 5-1/2 | 3/4 | 5.500 | .1875 | 35.37 |
| 9550-200F | 2 | 5-1/2 | 3/4 | 5.500 | .1875 | 35.37 |
| 9575-000F | N/A | 5-3/4 | 3/4 | 5.750 | .1875 | 45.42 |
| 9600-000F | N/A | 6 | 3/4 | 6.000 | .1875 | 47.87 |
| 9600-050F | 1/2 | 6 | 3/4 | 6.000 | .1875 | 47.87 |
| 9600-200F | 2 | 6 | 3/4 | 6.000 | .1875 | 47.87 |
| 9600-250F | 2-1/2 | 6 | 3/4 | 6.000 | .1875 | 47.87 |
| 9600-350F | 3-1/2 | 6 | 3/4 | 6.000 | .1875 | 47.87 |
| 9650-000F | N/A | 6-1/2 | 3/4 | 6.500 | .1875 | 53.52 |
| 9700-000F | N/A | 7 | 3/4 | 7.000 | .1875 | 57.74 |
| 9700-275F | 2-3/4 | 7 | 1 | 7.000 | .219 | 57.74 |
| 9700-400F | 4 | 7 | 3/4 | 7.000 | .1875 | 57.74 |
| 9800-000F | N/A | 8 | 1 | 8.000 | .1875 | 68.33 |
| 9800-100F | 1 | 8 | 1 | 8.000 | .1875 | 89.79 |
| 9800-125F | 1-1/4 | 8 | 1 | 8.000 | .1875 | 68.33 |
| 9900-000F | N/A | 9 | 1 | 9.000 | .1875 | 100.98 |
| 91000-100F | 1 | 10 | 1 | 10.000 | .1875 | 112.32 |
| 91200-000F | N/A | 12 | 1 | 12.000 | .1875 | 148.46 |

Note: These piston cups are specially sized for use in EDBRO Cylinders.

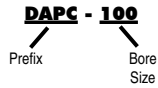
| Part Number | A Nom. ID | B Nom. OD | C Nom. Ht | J BORE DIAMETER | th THICKNESS | List Price |
|-------------|--------------|--------------|--------------|--------------------|-----------------|---------------|
| 9200-062ED | 5/8 | 2 | 7/8 | 2.000 | .21875 | \$14.17 |
| 9262-087ED | 7/8 | 2-5/8 | 7/8 | 2.625 | .21875 | 26.08 |
| 9325-100ED | 1 | 3-1/4 | 13/16 | 3.250 | .21875 | 28.11 |
| 9387-112ED | 1-1/8 | 3-7/8 | 7/8 | 3.875 | .21875 | 32.14 |
| 9475-125ED | 1-1/4 | 4-3/4 | 7/8 | 4.750 | .21875 | 38.67 |
| 9575-150ED | 1-1/2 | 5-3/4 | 7/8 | 5.750 | .21875 | 45.88 |

STYLE DAPC ONE PIECE DOUBLE ACTING PISTON CUPS

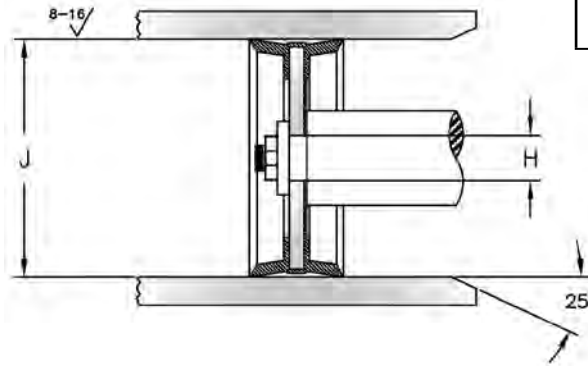
This complete piston cup with a simple, one-piece construction serves the same purpose as a multi-assembly unit and is more economical with easy maintenance, dependability and long life. The unique piston cup consists of homogeneous rubber bonded to a zinc-coated steel plate. The center hole may be enlarged to accommodate larger piston rods. Recommended for pneumatic and low-pressure hydraulic applications.



HERCULES PART NUMBERS



| SEAL INFORMATION | |
|-------------------|-------------------------------------|
| MATERIAL | RUBBER LIP, ZINC COATED STEEL PLATE |
| TEMPERATURE RANGE | -40° TO +220° F |
| PRESSURE RANGE | 0 TO 800 PSI |
| SPEED | 3 FT/SEC |



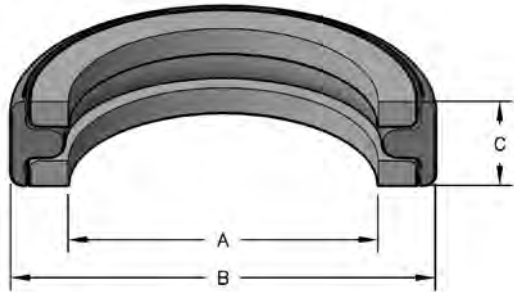
PISTON CUPS

| Part Number | A Nom. ID | B Nom. OD | C Nom. Ht | J BORE DIAMETER | H HOLE SIZE | C LIP HEIGHT | th THICKNESS | List Price |
|-------------|--------------|--------------|--------------|--------------------|----------------|-----------------|-----------------|------------|
| DAPC-100 | 1/4 | 1 | 3/8 | 1.000 | .250 | .375 | .09375 | \$25.68 |
| DAPC-125 | 1/4 | 1-1/4 | 1/2 | 1.250 | .250 | .500 | .09375 | 30.82 |
| DAPC-137 | 1/4 | 1-3/8 | 1/2 | 1.375 | .250 | .500 | .09375 | 26.52 |
| DAPC-150 | 1/4 | 1-1/2 | 1/2 | 1.500 | .250 | .500 | .09375 | 28.16 |
| DAPC-175 | 1/4 | 1-3/4 | 1/2 | 1.750 | .250 | .500 | .09375 | 28.16 |
| DAPC-200 | 3/8 | 2 | 9/16 | 2.000 | .375 | .5625 | .125 | 28.16 |
| DAPC-225 | 3/8 | 2-1/4 | 9/16 | 2.250 | .375 | .5625 | .125 | 29.00 |
| DAPC-250 | 3/8 | 2-1/2 | 9/16 | 2.500 | .375 | .5625 | .125 | 36.26 |
| DAPC-300 | 1/2 | 3 | 9/16 | 3.000 | .500 | .5625 | .125 | 41.05 |
| DAPC-325 | 1/2 | 3-1/4 | 9/16 | 3.250 | .500 | .5625 | .125 | 63.77 |
| DAPC-350 | 1/2 | 3-1/2 | 3/4 | 3.500 | .500 | .750 | .1875 | 61.09 |
| DAPC-400 | 1/2 | 4 | 3/4 | 4.000 | .500 | .750 | .1875 | 72.54 |
| DAPC-450 | 3/4 | 4-1/2 | 3/4 | 4.500 | .750 | .750 | .1875 | 72.45 |
| DAPC-500 | 3/4 | 5 | 15/16 | 5.000 | .750 | .9375 | .250 | 130.53 |
| DAPC-600 | 3/4 | 6 | 15/16 | 6.000 | .750 | .9375 | .250 | 141.62 |



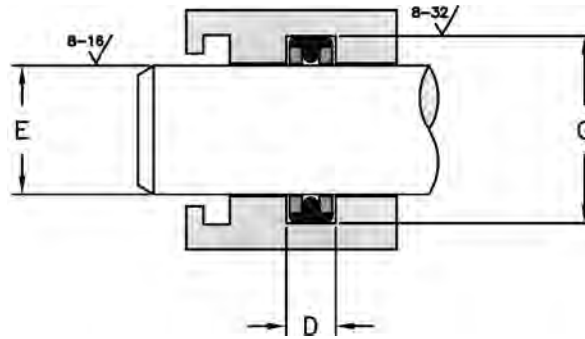
STYLE TR ROD T-SEALS

T-Seals combine a resilient sealing ring with a hard, split back-up ring on each side of the sealing element. The assembly installs in a standard o-ring groove. T-Seals are non-spiraling and extrusion resistant to 5,000 psi with improved tolerances.



HERCULES PART NUMBERS

TP - 100
Prefix Size



SEAL INFORMATION

| | |
|-------------------|--|
| MATERIAL | BUNA-N RUBBER SEAL HARD PLASTIC BACK-UPS |
| TEMPERATURE RANGE | -35° TO +220° F |
| PRESSURE RANGE | 0 TO 5,000 PSI |
| SPEED | 3 FT/SEC |

T-SEALS

| Part Number | A Nom. ID | B Nom. OD | C Nom. Ht | O-RING DASH NUMBER | D GROOVE WIDTH | E ROD DIAMETER | G HOUSING DIAMETER | List Price |
|-------------|--------------|--------------|--------------|-----------------------|--|---|--------------------------|---------------|
| TR-001 | 3/16 | 3/8 | .15 | -106 | .150 ^{+0.010} / _{+0.000} | .187 ^{+0.000} / _{-0.002} | .370 ±.002 | \$7.18 |
| TR-004 | 3/8 | 5/8 | .185 | -204 | .185 ^{+0.010} / _{+0.000} | .375 ^{-0.001} / _{-0.003} | .618 ±.002 | 5.20 |
| TR-006 | 1/2 | 3/4 | .185 | -206 | .185 ^{+0.010} / _{+0.000} | .500 ^{-0.001} / _{-0.003} | .743 ±.002 | 8.79 |
| TR-008 | 5/8 | 7/8 | .185 | -208 | .185 ^{+0.010} / _{+0.000} | .625 ^{-0.001} / _{-0.003} | .868 ±.002 | 6.47 |
| TR-009 | 11/16 | 15/16 | .185 | -209 | .185 ^{+0.010} / _{+0.000} | .687 ^{-0.001} / _{-0.003} | .930 ±.002 | 9.26 |
| TR-010 | 3/4 | 1 | .185 | -210 | .185 ^{+0.010} / _{+0.000} | .750 ^{-0.002} / _{-0.004} | .992 ±.002 | 6.85 |
| TR-012 | 7/8 | 1-1/8 | .185 | -212 | .185 ^{+0.010} / _{+0.000} | .875 ^{-0.002} / _{-0.004} | 1.117 ±.002 | 7.79 |
| TR-014 | 1 | 1-1/4 | .185 | -214 | .185 ^{+0.010} / _{+0.000} | 1.000 ^{-0.002} / _{-0.004} | 1.242 ±.002 | 6.85 |
| TR-015 | 1-1/16 | 1-5/16 | .185 | -215 | .185 ^{+0.010} / _{+0.000} | 1.062 ^{-0.002} / _{-0.004} | 1.304 ±.002 | 7.09 |
| TR-016 | 1-1/8 | 1-3/8 | .185 | -216 | .185 ^{+0.010} / _{+0.000} | 1.125 ^{-0.002} / _{-0.004} | 1.367 ±.002 | 7.79 |
| TR-017 | 1-3/16 | 1-7/16 | .185 | -217 | .185 ^{+0.010} / _{+0.000} | 1.187 ^{-0.002} / _{-0.004} | 1.429 ±.002 | 18.07 |
| TR-018 | 1-1/4 | 1-1/2 | .185 | -218 | .185 ^{+0.010} / _{+0.000} | 1.250 ^{-0.002} / _{-0.004} | 1.492 ±.002 | 7.00 |
| TR-020 | 1-3/8 | 1-5/8 | .185 | -220 | .185 ^{+0.010} / _{+0.000} | 1.375 ^{-0.002} / _{-0.004} | 1.617 ±.002 | 9.41 |
| TR-022 | 1-1/2 | 1-3/4 | .185 | -222 | .185 ^{+0.010} / _{+0.000} | 1.500 ^{-0.002} / _{-0.004} | 1.742 ±.002 | 7.79 |
| TR-023 | 1-1/2 | 1-7/8 | .28 | -325 | .280 ^{+0.010} / _{+0.000} | 1.500 ^{-0.002} / _{-0.004} | 1.871 ±.002 | 6.37 |
| TR-024 | 1-5/8 | 2 | .28 | -326 | .280 ^{+0.010} / _{+0.000} | 1.625 ^{-0.002} / _{-0.004} | 1.996 ±.002 | 9.62 |
| TR-025 | 1-3/4 | 2-1/8 | .28 | -327 | .280 ^{+0.010} / _{+0.000} | 1.750 ^{-0.002} / _{-0.004} | 2.121 ±.002 | 7.21 |

NORTH AMERICA
PHONE 1-800-777-5617
FAX 1-800-759-6391

SALES OFFICE HOURS
8 A.M. TO 7:30 P.M. EASTERN TIME
www.HerculesUS.com

WORLDWIDE
PHONE 1-727-796-1300
FAX 1-727-797-8849



STYLE TR ROD T-SEALS

T-SEALS

| Part Number | A Nom. ID | B Nom. OD | C Nom. Ht | O-RING DASH NUMBER | D GROOVE WIDTH | E ROD DIAMETER | G HOUSING DIAMETER | List Price |
|-------------|--------------|--------------|--------------|-----------------------|--|---|---|---------------|
| TR-026 | 1-7/8 | 2-1/4 | .28 | -328 | .280 ⁺⁰¹⁰ / ₊₀₀₀ | 1.875 ⁻⁰⁰² / ₋₀₀₄ | 2.246 ±.002 | 9.94 |
| TR-027 | 2 | 2-3/8 | .28 | -329 | .280 ⁺⁰¹⁰ / ₊₀₀₀ | 2.000 ⁻⁰⁰² / ₋₀₀₄ | 2.371 ±.002 | 8.03 |
| TR-027-WB | 2 | 2-3/8 | .405 | -329 | .405 ⁺⁰¹⁰ / ₊₀₀₀ | 2.000 ⁻⁰⁰² / ₋₀₀₄ | 2.371 ±.002 | 17.45 |
| TR-028 | 2-1/8 | 2-1/2 | .28 | -330 | .280 ⁺⁰¹⁰ / ₊₀₀₀ | 2.125 ⁻⁰⁰² / ₋₀₀₄ | 2.496 ±.002 | 8.50 |
| TR-029 | 2-1/4 | 2-5/8 | .28 | -331 | .280 ⁺⁰¹⁰ / ₊₀₀₀ | 2.250 ⁻⁰⁰² / ₋₀₀₄ | 2.613 ±.002 | 9.48 |
| TR-030 | 2-3/8 | 2-3/4 | .28 | -332 | .280 ⁺⁰¹⁰ / ₊₀₀₀ | 2.375 ⁻⁰⁰¹ / ₋₀₀₅ | 2.746 ⁺⁰⁰¹ / ₋₀₀₃ | 9.87 |
| TR-031 | 2-1/2 | 2-7/8 | .28 | -333 | .280 ⁺⁰¹⁰ / ₊₀₀₀ | 2.500 ⁻⁰⁰¹ / ₋₀₀₅ | 2.871 ⁺⁰⁰¹ / ₋₀₀₃ | 9.97 |
| TR-032 | 2-5/8 | 3 | .28 | -334 | .280 ⁺⁰¹⁰ / ₊₀₀₀ | 2.625 ⁻⁰⁰¹ / ₋₀₀₅ | 2.996 ⁺⁰⁰¹ / ₋₀₀₃ | 10.00 |
| TR-033 | 2-3/4 | 3-1/8 | .28 | -335 | .280 ⁺⁰¹⁰ / ₊₀₀₀ | 2.750 ⁻⁰⁰¹ / ₋₀₀₅ | 3.121 ⁺⁰⁰¹ / ₋₀₀₃ | 11.36 |
| TR-034 | 2-7/8 | 3-1/4 | .28 | -336 | .280 ⁺⁰¹⁰ / ₊₀₀₀ | 2.875 ⁻⁰⁰¹ / ₋₀₀₅ | 3.246 ⁺⁰⁰¹ / ₋₀₀₃ | 11.67 |
| TR-035 | 3 | 3-3/8 | .28 | -337 | .280 ⁺⁰¹⁰ / ₊₀₀₀ | 3.000 ⁻⁰⁰² / ₋₀₀₆ | 3.370 ⁺⁰⁰¹ / ₋₀₀₃ | 12.20 |
| TR-036 | 3-1/8 | 3-1/2 | .28 | -338 | .280 ⁺⁰¹⁰ / ₊₀₀₀ | 3.125 ⁻⁰⁰² / ₋₀₀₆ | 3.495 ⁺⁰⁰¹ / ₋₀₀₃ | 13.06 |
| TR-037 | 3-1/4 | 3-5/8 | .28 | -339 | .280 ⁺⁰¹⁰ / ₊₀₀₀ | 3.250 ⁻⁰⁰² / ₋₀₀₆ | 3.620 ⁺⁰⁰¹ / ₋₀₀₃ | 13.95 |
| TR-038 | 3-3/8 | 3-3/4 | .28 | -340 | .280 ⁺⁰¹⁰ / ₊₀₀₀ | 3.375 ⁻⁰⁰² / ₋₀₀₆ | 3.745 ⁺⁰⁰¹ / ₋₀₀₃ | 14.46 |
| TR-039 | 3-1/2 | 3-7/8 | .28 | -341 | .280 ⁺⁰¹⁰ / ₊₀₀₀ | 3.500 ⁻⁰⁰² / ₋₀₀₆ | 3.870 ⁺⁰⁰¹ / ₋₀₀₃ | 15.50 |
| TR-040 | 3-5/8 | 4 | .28 | -342 | .280 ⁺⁰¹⁰ / ₊₀₀₀ | 3.625 ⁻⁰⁰² / ₋₀₀₆ | 3.995 ⁺⁰⁰¹ / ₋₀₀₃ | 16.23 |
| TR-041 | 3-3/4 | 4-1/8 | .28 | -343 | .280 ⁺⁰¹⁰ / ₊₀₀₀ | 3.750 ⁻⁰⁰² / ₋₀₀₆ | 4.120 ⁺⁰⁰¹ / ₋₀₀₃ | 32.56 |
| TR-042 | 3-7/8 | 4-1/4 | .28 | -344 | .280 ⁺⁰¹⁰ / ₊₀₀₀ | 3.875 ⁻⁰⁰² / ₋₀₀₆ | 4.245 ⁺⁰⁰¹ / ₋₀₀₃ | 17.74 |
| TR-043 | 4 | 4-3/8 | .28 | -345 | .280 ⁺⁰¹⁰ / ₊₀₀₀ | 4.000 ⁻⁰⁰² / ₋₀₀₆ | 4.370 ⁺⁰⁰¹ / ₋₀₀₃ | 18.85 |
| TR-045 | 4-1/4 | 4-5/8 | .28 | -347 | .280 ⁺⁰¹⁰ / ₊₀₀₀ | 4.250 ⁻⁰⁰² / ₋₀₀₆ | 4.620 ⁺⁰⁰¹ / ₋₀₀₃ | 25.15 |
| TR-046 | 4-3/8 | 4-3/4 | .28 | -348 | .280 ⁺⁰¹⁰ / ₊₀₀₀ | 4.375 ⁻⁰⁰² / ₋₀₀₆ | 4.745 ⁺⁰⁰¹ / ₋₀₀₃ | 23.31 |
| TR-047 | 4-1/2 | 4-7/8 | .28 | -349 | .280 ⁺⁰¹⁰ / ₊₀₀₀ | 4.500 ⁻⁰⁰² / ₋₀₀₆ | 4.870 ⁺⁰⁰¹ / ₋₀₀₃ | 42.89 |
| TR-048 | 5 | 5-1/2 | .366 | -429 | .366 ⁺⁰¹⁰ / ₊₀₀₀ | 5.000 ⁻⁰⁰² / ₋₀₀₆ | 5.475 ⁺⁰⁰¹ / ₋₀₀₃ | 29.39 |
| TR-049 | 5-1/4 | 5-3/4 | .366 | -431 | .366 ⁺⁰¹⁰ / ₊₀₀₀ | 5.250 ⁻⁰⁰² / ₋₀₀₆ | 5.725 ⁺⁰⁰¹ / ₋₀₀₃ | 37.58 |
| TR-050 | 5-1/2 | 6 | .366 | -433 | .366 ⁺⁰¹⁰ / ₊₀₀₀ | 5.500 ⁻⁰⁰² / ₋₀₀₆ | 5.975 ⁺⁰⁰¹ / ₋₀₀₃ | 63.10 |
| TR-052 | 6 | 6-1/2 | .366 | -437 | .366 ⁺⁰¹⁰ / ₊₀₀₀ | 6.000 ⁻⁰⁰¹ / ₋₀₀₇ | 6.475 ⁺⁰⁰² / ₋₀₀₄ | 37.19 |
| TR-054 | 6-1/2 | 7 | .366 | -439 | .366 ⁺⁰¹⁰ / ₊₀₀₀ | 6.500 ⁻⁰⁰¹ / ₋₀₀₇ | 6.975 ⁺⁰⁰² / ₋₀₀₄ | 63.14 |
| TR-056 | 7 | 7-1/2 | .366 | -441 | .366 ⁺⁰¹⁰ / ₊₀₀₀ | 7.000 ⁻⁰⁰¹ / ₋₀₀₇ | 7.475 ⁺⁰⁰² / ₋₀₀₄ | 54.43 |
| TR-058 | 7-1/2 | 8 | .366 | -443 | .366 ⁺⁰¹⁰ / ₊₀₀₀ | 7.500 ⁻⁰⁰¹ / ₋₀₀₇ | 7.984 ⁺⁰⁰² / ₋₀₀₄ | 67.03 |
| TR-059 | 8 | 8-1/2 | .366 | -445 | .366 ⁺⁰¹⁰ / ₊₀₀₀ | 8.000 ⁻⁰⁰¹ / ₋₀₀₇ | 8.475 ⁺⁰⁰² / ₋₀₀₄ | 101.03 |
| TR-060 | 9 | 9-1/2 | .366 | -447 | .366 ⁺⁰¹⁰ / ₊₀₀₀ | 9.000 ⁻⁰⁰¹ / ₋₀₀₇ | 9.475 ⁺⁰⁰² / ₋₀₀₄ | 116.79 |

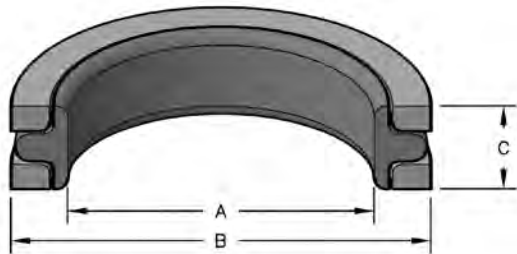
Seal color may vary. Special order sizes are available. Sizes not shown and out of stock items can also be ordered for next day delivery through Seals On Demand, our custom seal program. Please call your regional sales team for assistance.

FORMERLY LISTED SEALS ARE AVAILABLE ONLINE AT WWW.HERCULESUS.COM
OR BY CONTACTING YOUR REGIONAL HERCULES SALES TEAM.



STYLE TP PISTON T-SEALS

T-Seals combine a resilient sealing ring with a hard, split back-up ring on each side of the sealing element. The assembly installs in a standard o-ring groove. T-Seals are non-spiraling and extrusion resistant to 5,000 psi with improved tolerances. Intermediate and Wide Base T-Seals are designed to fit MIL-5514F o-ring glands only and interchange with 1 o-ring / 1 back-up ring and 1 o-ring / 2 back-up ring grooves, respectively.

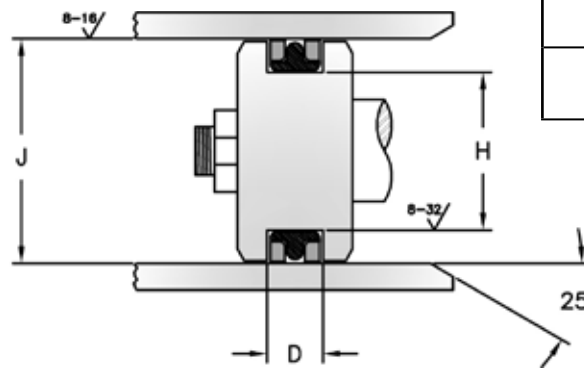


HERCULES PART NUMBERS

TP - 007
Prefix Size

IB = Intermediate Base

WB = Wide Base



SEAL INFORMATION

| | |
|-------------------|--|
| MATERIAL | BUNA-N RUBBER SEAL HARD PLASTIC BACK-UPS |
| TEMPERATURE RANGE | -35° TO +220° F |
| PRESSURE RANGE | 0 TO 5,000 PSI |
| SPEED | 3 FT/SEC |

Intermediate and Wide Base T-Seals are designed to fit MIL-5514F o-ring glands only and interchange with 1 o-ring / 1 back-up ring and 1 o-ring / 2 back-up ring grooves, respectively.

| Part Number | A Nom. ID | B Nom. OD | C Nom. Ht | O-RING DASH NUMBER | D GROOVE WIDTH | H GROOVE DIAMETER | J BORE DIAMETER | List Price |
|-------------|--------------|--------------|--------------|-----------------------|---|--|--|---------------|
| TP-007 | 1/2 | 3/4 | .185 | -206 | .185 $\begin{smallmatrix} +.010 \\ +.000 \end{smallmatrix}$ | .505 $\begin{smallmatrix} +.002 \\ +.000 \end{smallmatrix}$ | .750 $\pm .001$ | \$ 7.70 |
| TP-009 | 5/8 | 7/8 | .185 | -208 | .185 $\begin{smallmatrix} +.010 \\ +.000 \end{smallmatrix}$ | .630 $\begin{smallmatrix} +.002 \\ +.000 \end{smallmatrix}$ | .875 $\pm .001$ | 6.61 |
| TP-011 | 3/4 | 1 | .185 | -210 | .185 $\begin{smallmatrix} +.010 \\ +.000 \end{smallmatrix}$ | .756 $\begin{smallmatrix} +.002 \\ +.000 \end{smallmatrix}$ | 1.000 $\begin{smallmatrix} +.002 \\ +.000 \end{smallmatrix}$ | 7.37 |
| TP-012 | 13/16 | 1-1/16 | .185 | -211 | .185 $\begin{smallmatrix} +.010 \\ +.000 \end{smallmatrix}$ | .818 $\begin{smallmatrix} +.002 \\ +.000 \end{smallmatrix}$ | 1.063 $\begin{smallmatrix} +.002 \\ +.000 \end{smallmatrix}$ | 8.95 |
| TP-013 | 7/8 | 1-1/8 | .185 | -212 | .185 $\begin{smallmatrix} +.010 \\ +.000 \end{smallmatrix}$ | .881 $\begin{smallmatrix} +.002 \\ +.000 \end{smallmatrix}$ | 1.125 $\begin{smallmatrix} +.002 \\ +.000 \end{smallmatrix}$ | 6.85 |
| TP-014 | 15/16 | 1-3/16 | .185 | -213 | .185 $\begin{smallmatrix} +.010 \\ +.000 \end{smallmatrix}$ | .943 $\begin{smallmatrix} +.002 \\ +.000 \end{smallmatrix}$ | 1.188 $\begin{smallmatrix} +.002 \\ +.000 \end{smallmatrix}$ | 8.95 |
| TP-015 | 1 | 1-1/4 | .185 | -214 | .185 $\begin{smallmatrix} +.010 \\ +.000 \end{smallmatrix}$ | 1.006 $\begin{smallmatrix} +.002 \\ +.000 \end{smallmatrix}$ | 1.250 $\begin{smallmatrix} +.002 \\ +.000 \end{smallmatrix}$ | 7.79 |
| TP-016 | 1-1/16 | 1-5/16 | .185 | -215 | .185 $\begin{smallmatrix} +.010 \\ +.000 \end{smallmatrix}$ | 1.068 $\begin{smallmatrix} +.002 \\ +.000 \end{smallmatrix}$ | 1.313 $\begin{smallmatrix} +.002 \\ +.000 \end{smallmatrix}$ | 6.85 |
| TP-017 | 1-1/8 | 1-3/8 | .185 | -216 | .185 $\begin{smallmatrix} +.010 \\ +.000 \end{smallmatrix}$ | 1.131 $\begin{smallmatrix} +.002 \\ +.000 \end{smallmatrix}$ | 1.375 $\begin{smallmatrix} +.002 \\ +.000 \end{smallmatrix}$ | 6.85 |
| TP-018 | 1-3/16 | 1-7/16 | .185 | -217 | .185 $\begin{smallmatrix} +.010 \\ +.000 \end{smallmatrix}$ | 1.193 $\begin{smallmatrix} +.002 \\ +.000 \end{smallmatrix}$ | 1.438 $\begin{smallmatrix} +.002 \\ +.000 \end{smallmatrix}$ | 8.95 |
| TP-019 | 1-1/4 | 1-1/2 | .185 | -218 | .185 $\begin{smallmatrix} +.010 \\ +.000 \end{smallmatrix}$ | 1.256 $\begin{smallmatrix} +.002 \\ +.000 \end{smallmatrix}$ | 1.500 $\begin{smallmatrix} +.002 \\ +.000 \end{smallmatrix}$ | 6.09 |
| TP-218-WB | 1-1/4 | 1-1/2 | .304 | -218 | .304 $\begin{smallmatrix} +.010 \\ +.000 \end{smallmatrix}$ | 1.256 $\begin{smallmatrix} +.002 \\ +.000 \end{smallmatrix}$ | 1.500 $\begin{smallmatrix} +.002 \\ +.000 \end{smallmatrix}$ | 11.52 |
| TP-021 | 1-3/8 | 1-5/8 | .185 | -220 | .185 $\begin{smallmatrix} +.010 \\ +.000 \end{smallmatrix}$ | 1.381 $\begin{smallmatrix} +.002 \\ +.000 \end{smallmatrix}$ | 1.625 $\begin{smallmatrix} +.002 \\ +.000 \end{smallmatrix}$ | 7.79 |
| TP-221 | 1-7/16 | 1-11/16 | .185 | -221 | .185 $\begin{smallmatrix} +.010 \\ +.000 \end{smallmatrix}$ | 1.442 $\begin{smallmatrix} +.002 \\ +.000 \end{smallmatrix}$ | 1.688 $\begin{smallmatrix} +.002 \\ +.000 \end{smallmatrix}$ | 6.85 |
| TP-022 | 1-1/2 | 1-3/4 | .185 | -222 | .185 $\begin{smallmatrix} +.010 \\ +.000 \end{smallmatrix}$ | 1.506 $\begin{smallmatrix} +.002 \\ +.000 \end{smallmatrix}$ | 1.750 $\begin{smallmatrix} +.002 \\ +.000 \end{smallmatrix}$ | 6.58 |
| TP-222-IB | 1-1/2 | 1-3/4 | .235 | -222 | .235 $\begin{smallmatrix} +.010 \\ +.000 \end{smallmatrix}$ | 1.506 $\begin{smallmatrix} +.002 \\ +.000 \end{smallmatrix}$ | 1.750 $\begin{smallmatrix} +.002 \\ +.000 \end{smallmatrix}$ | 16.23 |
| TP-023 | 1-1/2 | 1-7/8 | .28 | -325 | .280 $\begin{smallmatrix} +.010 \\ +.000 \end{smallmatrix}$ | 1.502 $\begin{smallmatrix} +.002 \\ +.000 \end{smallmatrix}$ | 1.875 $\begin{smallmatrix} +.002 \\ +.000 \end{smallmatrix}$ | 8.95 |

NORTH AMERICA
PHONE 1-800-777-5617
FAX 1-800-759-6391

SALES OFFICE HOURS
8 A.M. TO 7:30 P.M. EASTERN TIME
www.HerculesUS.com

WORLDWIDE
PHONE 1-727-796-1300
FAX 1-727-797-8849



STYLE TP PISTON T-SEALS

| Part Number | A Nom. ID | B Nom. OD | C Nom. Ht | O-RING DASH NUMBER | D GROOVE WIDTH | H GROOVE DIAMETER | J BORE DIAMETER | List Price |
|-------------|--------------|--------------|--------------|-----------------------|--|---|---|---------------|
| TP-024 | 1-5/8 | 2 | .28 | -326 | .280 ⁺⁰¹⁰ / ₊₀₀₀ | 1.627 ⁺⁰⁰² / ₊₀₀₀ | 2.000 ⁺⁰⁰² / ₊₀₀₀ | 6.87 |
| TP-326-IB | 1-5/8 | 2 | .334 | -326 | .334 ⁺⁰¹⁰ / ₊₀₀₀ | 1.627 ⁺⁰⁰² / ₊₀₀₀ | 2.000 ⁺⁰⁰² / ₊₀₀₀ | 16.23 |
| TP-025 | 1-3/4 | 2-1/8 | .28 | -327 | .280 ⁺⁰¹⁰ / ₊₀₀₀ | 1.752 ⁺⁰⁰² / ₊₀₀₀ | 2.125 ⁺⁰⁰² / ₊₀₀₀ | 7.21 |
| TP-026 | 1-7/8 | 2-1/4 | .28 | -328 | .280 ⁺⁰¹⁰ / ₊₀₀₀ | 1.877 ⁺⁰⁰² / ₊₀₀₀ | 2.250 ⁺⁰⁰² / ₊₀₀₀ | 7.66 |
| TP-328-IB | 1-7/8 | 2-1/4 | .334 | -328 | .334 ⁺⁰¹⁰ / ₊₀₀₀ | 1.877 ⁺⁰⁰² / ₊₀₀₀ | 2.250 ⁺⁰⁰² / ₊₀₀₀ | 17.32 |
| TP-328-WB | 1-7/8 | 2-1/4 | .424 | -328 | .424 ⁺⁰¹⁰ / ₊₀₀₀ | 1.877 ⁺⁰⁰² / ₊₀₀₀ | 2.250 ⁺⁰⁰² / ₊₀₀₀ | 18.38 |
| TP-027 | 2 | 2-3/8 | .28 | -329 | .280 ⁺⁰¹⁰ / ₊₀₀₀ | 2.002 ⁺⁰⁰² / ₊₀₀₀ | 2.375 ⁺⁰⁰² / ₊₀₀₀ | 8.03 |
| TP-028 | 2-1/8 | 2-1/2 | .28 | -330 | .280 ⁺⁰¹⁰ / ₊₀₀₀ | 2.127 ⁺⁰⁰² / ₊₀₀₀ | 2.500 ⁺⁰⁰² / ₊₀₀₀ | 8.50 |
| TP-330-IB | 2-1/8 | 2-1/2 | .334 | -330 | .334 ⁺⁰¹⁰ / ₊₀₀₀ | 2.127 ⁺⁰⁰² / ₊₀₀₀ | 2.500 ⁺⁰⁰² / ₊₀₀₀ | 17.75 |
| TP-330-WB | 2-1/8 | 2-1/2 | .424 | -330 | .424 ⁺⁰¹⁰ / ₊₀₀₀ | 2.127 ⁺⁰⁰² / ₊₀₀₀ | 2.500 ⁺⁰⁰² / ₊₀₀₀ | 19.39 |
| TP-029 | 2-1/4 | 2-5/8 | .28 | -331 | .280 ⁺⁰¹⁰ / ₊₀₀₀ | 2.252 ⁺⁰⁰² / ₊₀₀₀ | 2.625 ⁺⁰⁰² / ₊₀₀₀ | 9.22 |
| TP-030 | 2-3/8 | 2-3/4 | .28 | -332 | .280 ⁺⁰¹⁰ / ₊₀₀₀ | 2.377 ⁺⁰⁰³ / ₋₀₀₁ | 2.750 ⁺⁰⁰³ / ₋₀₀₁ | 9.35 |
| TP-031 | 2-1/2 | 2-7/8 | .28 | -333 | .280 ⁺⁰¹⁰ / ₊₀₀₀ | 2.502 ⁺⁰⁰³ / ₋₀₀₁ | 2.875 ⁺⁰⁰³ / ₋₀₀₁ | 9.68 |
| TP-333-WB | 2-1/2 | 2-7/8 | .424 | -333 | .424 ⁺⁰¹⁰ / ₊₀₀₀ | 2.502 ⁺⁰⁰³ / ₋₀₀₁ | 2.875 ⁺⁰⁰³ / ₋₀₀₁ | 26.50 |
| TP-032 | 2-5/8 | 3 | .28 | -334 | .280 ⁺⁰¹⁰ / ₊₀₀₀ | 2.627 ⁺⁰⁰³ / ₋₀₀₁ | 3.000 ⁺⁰⁰³ / ₋₀₀₁ | 10.04 |
| TP-334-IB | 2-5/8 | 3 | .334 | -334 | .334 ⁺⁰¹⁰ / ₊₀₀₀ | 2.627 ⁺⁰⁰³ / ₋₀₀₁ | 3.000 ⁺⁰⁰³ / ₋₀₀₁ | 28.38 |
| TP-334-WB | 2-5/8 | 3 | .424 | -334 | .424 ⁺⁰¹⁰ / ₊₀₀₀ | 2.627 ⁺⁰⁰³ / ₋₀₀₁ | 3.000 ⁺⁰⁰³ / ₋₀₀₁ | 29.82 |
| TP-033 | 2-3/4 | 3-1/8 | .28 | -335 | .280 ⁺⁰¹⁰ / ₊₀₀₀ | 2.752 ⁺⁰⁰³ / ₋₀₀₁ | 3.125 ⁺⁰⁰³ / ₋₀₀₁ | 10.47 |
| TP-034 | 2-7/8 | 3-1/4 | .28 | -336 | .280 ⁺⁰¹⁰ / ₊₀₀₀ | 2.877 ⁺⁰⁰³ / ₋₀₀₁ | 3.250 ⁺⁰⁰³ / ₋₀₀₁ | 11.67 |
| TP-035 | 3-1/8 | 3-1/2 | .28 | -338 | .280 ⁺⁰¹⁰ / ₊₀₀₀ | 3.128 ⁺⁰⁰³ / ₋₀₀₁ | 3.500 ⁺⁰⁰⁴ / ₊₀₀₀ | 12.77 |
| TP-338-IB | 3-1/8 | 3-1/2 | .334 | -338 | .334 ⁺⁰¹⁰ / ₊₀₀₀ | 3.128 ⁺⁰⁰³ / ₋₀₀₁ | 3.500 ⁺⁰⁰⁴ / ₊₀₀₀ | 29.58 |
| TP-338-WB | 3-1/8 | 3-1/2 | .424 | -338 | .424 ⁺⁰¹⁰ / ₊₀₀₀ | 3.128 ⁺⁰⁰³ / ₋₀₀₁ | 3.500 ⁺⁰⁰⁴ / ₊₀₀₀ | 32.24 |
| TP-036 | 3-1/4 | 3-5/8 | .28 | -339 | .280 ⁺⁰¹⁰ / ₊₀₀₀ | 3.253 ⁺⁰⁰³ / ₋₀₀₁ | 3.625 ⁺⁰⁰⁴ / ₊₀₀₀ | 13.90 |
| TP-037 | 3-3/8 | 3-3/4 | .28 | -340 | .280 ⁺⁰¹⁰ / ₊₀₀₀ | 3.378 ⁺⁰⁰³ / ₋₀₀₁ | 3.750 ⁺⁰⁰⁴ / ₊₀₀₀ | 14.46 |
| TP-038 | 3-1/2 | 3-7/8 | .28 | -341 | .280 ⁺⁰¹⁰ / ₊₀₀₀ | 3.503 ⁺⁰⁰³ / ₋₀₀₁ | 3.875 ⁺⁰⁰⁴ / ₊₀₀₀ | 18.69 |
| TP-039 | 3-5/8 | 4 | .28 | -342 | .280 ⁺⁰¹⁰ / ₊₀₀₀ | 3.628 ⁺⁰⁰³ / ₋₀₀₁ | 4.000 ⁺⁰⁰⁴ / ₊₀₀₀ | 16.10 |
| TP-342-WB | 3-5/8 | 4 | .424 | -342 | .424 ⁺⁰¹⁰ / ₊₀₀₀ | 3.628 ⁺⁰⁰³ / ₋₀₀₁ | 4.000 ⁺⁰⁰⁴ / ₊₀₀₀ | 38.05 |
| TP-040 | 3-3/4 | 4-1/8 | .28 | -343 | .280 ⁺⁰¹⁰ / ₊₀₀₀ | 3.753 ⁺⁰⁰³ / ₋₀₀₁ | 4.125 ⁺⁰⁰⁴ / ₊₀₀₀ | 26.12 |
| TP-041 | 3-7/8 | 4-1/4 | .28 | -344 | .280 ⁺⁰¹⁰ / ₊₀₀₀ | 3.878 ⁺⁰⁰³ / ₋₀₀₁ | 4.250 ⁺⁰⁰⁴ / ₊₀₀₀ | 18.54 |
| TP-042 | 4 | 4-3/8 | .28 | -345 | .280 ⁺⁰¹⁰ / ₊₀₀₀ | 4.003 ⁺⁰⁰³ / ₋₀₀₁ | 4.375 ⁺⁰⁰⁴ / ₊₀₀₀ | 19.63 |
| TP-043 | 4-1/8 | 4-1/2 | .28 | -346 | .280 ⁺⁰¹⁰ / ₊₀₀₀ | 4.128 ⁺⁰⁰³ / ₋₀₀₁ | 4.500 ⁺⁰⁰⁴ / ₊₀₀₀ | 20.01 |
| TP-346-IB | 4-1/8 | 4-1/2 | .334 | -346 | .334 ⁺⁰¹⁰ / ₊₀₀₀ | 4.128 ⁺⁰⁰³ / ₋₀₀₁ | 4.500 ⁺⁰⁰⁴ / ₊₀₀₀ | 56.73 |
| TP-346-WB | 4-1/8 | 4-1/2 | .424 | -346 | .424 ⁺⁰¹⁰ / ₊₀₀₀ | 4.128 ⁺⁰⁰³ / ₋₀₀₁ | 4.500 ⁺⁰⁰⁴ / ₊₀₀₀ | 46.06 |

T-SEALS



STYLE TP PISTON T-SEALS

T-SEALS

| Part Number | A Nom. ID | B Nom. OD | C Nom. Ht | O-RING DASH NUMBER | D GROOVE WIDTH | H GROOVE DIAMETER | J BORE DIAMETER | List Price |
|-------------|--------------|--------------|--------------|-----------------------|--|---|---|---------------|
| TP-044 | 4-1/4 | 4-5/8 | .28 | -347 | .280 ⁺⁰¹⁰ / ₊₀₀₀ | 4.253 ⁺⁰⁰³ / ₋₀₀₁ | 4.625 ⁺⁰⁰⁴ / ₊₀₀₀ | 25.07 |
| TP-347-IB | 4-1/4 | 4-5/8 | .334 | -347 | .334 ⁺⁰¹⁰ / ₊₀₀₀ | 4.253 ⁺⁰⁰³ / ₋₀₀₁ | 4.625 ⁺⁰⁰⁴ / ₊₀₀₀ | 54.25 |
| TP-045 | 4-3/8 | 4-3/4 | .28 | -348 | .280 ⁺⁰¹⁰ / ₊₀₀₀ | 4.378 ⁺⁰⁰³ / ₋₀₀₁ | 4.750 ⁺⁰⁰⁴ / ₊₀₀₀ | 27.92 |
| TP-046 | 4-1/2 | 4-7/8 | .28 | -349 | .280 ⁺⁰¹⁰ / ₊₀₀₀ | 4.503 ⁺⁰⁰³ / ₋₀₀₁ | 4.875 ⁺⁰⁰⁴ / ₊₀₀₀ | 28.09 |
| TP-425-IB | 4-1/2 | 5 | .475 | -425 | .475 ⁺⁰¹⁰ / ₊₀₀₀ | 4.524 ⁺⁰⁰³ / ₋₀₀₁ | 5.000 ⁺⁰⁰⁵ / ₊₀₀₁ | 64.88 |
| TP-425-WB | 4-1/2 | 5 | .579 | -425 | .579 ⁺⁰¹⁰ / ₊₀₀₀ | 4.524 ⁺⁰⁰³ / ₋₀₀₁ | 5.000 ⁺⁰⁰⁵ / ₊₀₀₁ | 79.75 |
| TP-047 | 4-5/8 | 5 | .28 | -350 | .280 ⁺⁰¹⁰ / ₊₀₀₀ | 4.629 ⁺⁰⁰³ / ₋₀₀₁ | 5.000 ⁺⁰⁰⁵ / ₊₀₀₁ | 29.18 |
| TP-350-WB | 4-5/8 | 5 | .424 | -350 | .424 ⁺⁰¹⁰ / ₊₀₀₀ | 4.629 ⁺⁰⁰³ / ₋₀₀₁ | 5.000 ⁺⁰⁰⁵ / ₊₀₀₁ | 59.11 |
| TP-048 | 4-5/8 | 5-1/8 | .366 | -426 | .366 ⁺⁰¹⁰ / ₊₀₀₀ | 4.649 ⁺⁰⁰³ / ₋₀₀₁ | 5.125 ⁺⁰⁰⁵ / ₊₀₀₁ | 34.90 |
| TP-049 | 4-3/4 | 5-1/4 | .366 | -427 | .366 ⁺⁰¹⁰ / ₊₀₀₀ | 4.774 ⁺⁰⁰³ / ₋₀₀₁ | 5.250 ⁺⁰⁰⁵ / ₊₀₀₁ | 31.96 |
| TP-427-WB | 4-3/4 | 5-1/4 | .579 | -427 | .579 ⁺⁰¹⁰ / ₊₀₀₀ | 4.774 ⁺⁰⁰³ / ₋₀₀₁ | 5.250 ⁺⁰⁰⁵ / ₊₀₀₁ | 65.03 |
| TP-051 | 5 | 5-1/2 | .366 | -429 | .366 ⁺⁰¹⁰ / ₊₀₀₀ | 5.024 ⁺⁰⁰³ / ₋₀₀₁ | 5.500 ⁺⁰⁰⁵ / ₊₀₀₁ | 35.11 |
| TP-429-IB | 5 | 5-1/2 | .475 | -429 | .475 ⁺⁰¹⁰ / ₊₀₀₀ | 5.024 ⁺⁰⁰³ / ₋₀₀₁ | 5.500 ⁺⁰⁰⁵ / ₊₀₀₁ | 65.67 |
| TP-053 | 5-1/4 | 5-3/4 | .366 | -431 | .366 ⁺⁰¹⁰ / ₊₀₀₀ | 5.274 ⁺⁰⁰³ / ₋₀₀₁ | 5.750 ⁺⁰⁰⁵ / ₊₀₀₁ | 35.87 |
| TP-054 | 5-3/8 | 5-7/8 | .366 | -432 | .366 ⁺⁰¹⁰ / ₊₀₀₀ | 5.399 ⁺⁰⁰³ / ₋₀₀₁ | 5.875 ⁺⁰⁰⁵ / ₊₀₀₁ | 36.74 |
| TP-055 | 5-1/2 | 6 | .366 | -433 | .366 ⁺⁰¹⁰ / ₊₀₀₀ | 5.524 ⁺⁰⁰³ / ₋₀₀₁ | 6.000 ⁺⁰⁰⁵ / ₊₀₀₁ | 38.74 |
| TP-433-IB | 5-1/2 | 6 | .475 | -433 | .475 ⁺⁰¹⁰ / ₊₀₀₀ | 5.524 ⁺⁰⁰³ / ₋₀₀₁ | 6.000 ⁺⁰⁰⁵ / ₊₀₀₁ | 75.19 |
| TP-433-WB | 5-1/2 | 6 | .579 | -433 | .579 ⁺⁰¹⁰ / ₊₀₀₀ | 5.524 ⁺⁰⁰³ / ₋₀₀₁ | 6.000 ⁺⁰⁰⁵ / ₊₀₀₁ | 83.63 |
| TP-057 | 5-3/4 | 6-1/4 | .366 | -435 | .366 ⁺⁰¹⁰ / ₊₀₀₀ | 5.774 ⁺⁰⁰³ / ₋₀₀₁ | 6.250 ⁺⁰⁰⁵ / ₊₀₀₁ | 39.83 |
| TP-435-IB | 5-3/4 | 6-1/4 | .475 | -435 | .475 ⁺⁰¹⁰ / ₊₀₀₀ | 5.774 ⁺⁰⁰³ / ₋₀₀₁ | 6.250 ⁺⁰⁰⁵ / ₊₀₀₁ | 85.45 |
| TP-058 | 6 | 6-1/2 | .366 | -437 | .366 ⁺⁰¹⁰ / ₊₀₀₀ | 6.024 ⁺⁰⁰⁴ / ₋₀₀₂ | 6.500 ⁺⁰⁰⁶ / ₊₀₀₀ | 39.92 |
| TP-060 | 6-1/2 | 7 | .366 | -439 | .366 ⁺⁰¹⁰ / ₊₀₀₀ | 6.524 ⁺⁰⁰⁴ / ₋₀₀₂ | 7.000 ⁺⁰⁰⁶ / ₊₀₀₀ | 46.36 |
| TP-439-IB | 6-1/2 | 7 | .475 | -439 | .475 ⁺⁰¹⁰ / ₊₀₀₀ | 6.524 ⁺⁰⁰⁴ / ₋₀₀₂ | 7.000 ⁺⁰⁰⁶ / ₊₀₀₀ | 88.48 |
| TP-439-WB | 6-1/2 | 7 | .579 | -439 | .579 ⁺⁰¹⁰ / ₊₀₀₀ | 6.524 ⁺⁰⁰⁴ / ₋₀₀₂ | 7.000 ⁺⁰⁰⁶ / ₊₀₀₀ | 96.49 |
| TP-061 | 6-3/4 | 7-1/4 | .366 | -440 | .366 ⁺⁰¹⁰ / ₊₀₀₀ | 6.774 ⁺⁰⁰⁴ / ₋₀₀₂ | 7.250 ⁺⁰⁰⁶ / ₊₀₀₀ | 69.50 |
| TP-062 | 7 | 7-1/2 | .366 | -441 | .366 ⁺⁰¹⁰ / ₊₀₀₀ | 7.024 ⁺⁰⁰⁴ / ₋₀₀₂ | 7.500 ⁺⁰⁰⁶ / ₊₀₀₀ | 50.66 |
| TP-064 | 7-1/2 | 8 | .366 | -443 | .366 ⁺⁰¹⁰ / ₊₀₀₀ | 7.524 ⁺⁰⁰⁴ / ₋₀₀₂ | 8.000 ⁺⁰⁰⁶ / ₊₀₀₀ | 59.04 |
| TP-443-WB | 7-1/2 | 8 | .579 | -443 | .579 ⁺⁰¹⁰ / ₊₀₀₀ | 7.524 ⁺⁰⁰⁴ / ₋₀₀₂ | 8.000 ⁺⁰⁰⁶ / ₊₀₀₀ | 102.00 |
| TP-444-IB | 7-3/4 | 8-1/4 | .475 | -444 | .475 ⁺⁰¹⁰ / ₊₀₀₀ | 7.774 ⁺⁰⁰⁴ / ₋₀₀₂ | 8.250 ⁺⁰⁰⁶ / ₊₀₀₀ | 109.83 |
| TP-066 | 8 | 8-1/2 | .366 | -445 | .366 ⁺⁰¹⁰ / ₊₀₀₀ | 8.024 ⁺⁰⁰⁴ / ₋₀₀₂ | 8.500 ⁺⁰⁰⁶ / ₊₀₀₀ | 81.34 |
| TP-067 | 8-1/2 | 9 | .366 | -446 | .366 ⁺⁰¹⁰ / ₊₀₀₀ | 8.524 ⁺⁰⁰⁴ / ₋₀₀₂ | 9.000 ⁺⁰⁰⁶ / ₊₀₀₀ | 74.44 |
| TP-446-IB | 8-1/2 | 9 | .475 | -446 | .475 ⁺⁰¹⁰ / ₊₀₀₀ | 8.524 ⁺⁰⁰⁴ / ₋₀₀₂ | 9.000 ⁺⁰⁰⁶ / ₊₀₀₀ | 126.97 |
| TP-068 | 9 | 9-1/2 | .366 | -447 | .366 ⁺⁰¹⁰ / ₊₀₀₀ | 9.024 ⁺⁰⁰⁴ / ₋₀₀₂ | 9.500 ⁺⁰⁰⁶ / ₊₀₀₀ | 84.35 |

NORTH AMERICA
PHONE 1-800-777-5617
FAX 1-800-759-6391

SALES OFFICE HOURS
8 A.M. TO 7:30 P.M. EASTERN TIME
www.HerculesUS.com

WORLDWIDE
PHONE 1-727-796-1300
FAX 1-727-797-8849

STYLE TP PISTON T-SEALS

| Part Number | A Nom. ID | B Nom. OD | C Nom. Ht | O-RING DASH NUMBER | D GROOVE WIDTH | H GROOVE DIAMETER | J BORE DIAMETER | List Price |
|-------------|--------------|--------------|--------------|-----------------------|--|--|--|---------------|
| TP-069 | 9-1/2 | 10 | .366 | -448 | .366 ^{+0.010} / _{+0.000} | 9.524 ^{+0.004} / _{-0.002} | 10.000 ^{+0.006} / _{+0.000} | 86.08 |
| TP-448-IB | 9-1/2 | 10 | .475 | -448 | .475 ^{+0.010} / _{+0.000} | 9.524 ^{+0.004} / _{-0.002} | 10.000 ^{+0.006} / _{+0.000} | 149.39 |
| TP-070 | 10 | 10-1/2 | .366 | -449 | .366 ^{+0.010} / _{+0.000} | 10.024 ^{+0.004} / _{-0.002} | 10.500 ^{+0.006} / _{+0.000} | 101.76 |
| TP-071 | 10-1/2 | 11 | .366 | -450 | .366 ^{+0.010} / _{+0.000} | 10.524 ^{+0.004} / _{-0.002} | 11.000 ^{+0.006} / _{+0.000} | 112.94 |
| TP-450-IB | 10-1/2 | 11 | .475 | -450 | .475 ^{+0.010} / _{+0.000} | 10.524 ^{+0.004} / _{-0.002} | 11.000 ^{+0.006} / _{+0.000} | 175.76 |
| TP-072 | 11 | 11-1/2 | .366 | -451 | .366 ^{+0.010} / _{+0.000} | 11.024 ^{+0.004} / _{-0.002} | 11.500 ^{+0.006} / _{+0.000} | 129.11 |
| TP-073 | 11-1/2 | 12 | .366 | -452 | .366 ^{+0.010} / _{+0.000} | 11.524 ^{+0.004} / _{-0.002} | 12.000 ^{+0.006} / _{+0.000} | 137.90 |

Seal color may vary. Special order sizes are available. Sizes not shown and out of stock items can also be ordered for next day delivery through Seals On Demand, our custom seal program. Please call your regional sales team for assistance.

T-SEALS



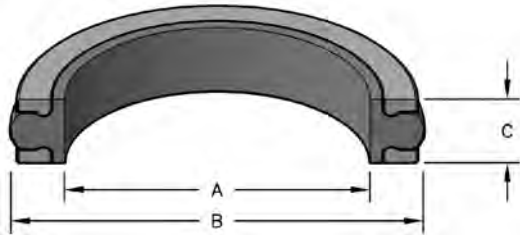
**Replacement Cylinders
are In-Stock and Ready
for Next Day Delivery!**

**Custom Hoists,
Parker/Commercial and SHC
Telescopic Cylinders. Hercules
Brand Tie-Rod and Welded
Cylinders.**

**Call for a Quote or Place
Your Order Online -
www.HerculesUS.com**

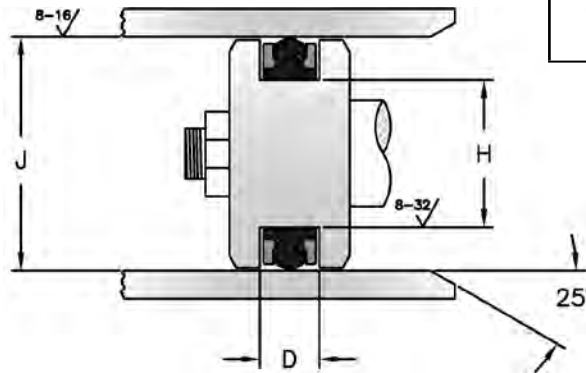
STYLE TP-L LOCKING PISTON T-SEALS

The Style TP-L seal is a zero drift piston seal for bi-directional pressure applications. The locking anti-extrusion rings provide for an easier installation. It is designed to retrofit O-Ring and standard T-seal grooves. The 70 Shore A NBR is designed specifically for performance in compression type dynamic seals. Other features include a net molded dynamic sealing surface and backup chamfers.



HERCULES PART NUMBERS

TP - 009-L
Prefix Size



SEAL INFORMATION

| | |
|-------------------|--|
| MATERIAL | BUNA-N RUBBER SEAL HARD PLASTIC BACK-UPS |
| TEMPERATURE RANGE | -35° TO +220° F |
| PRESSURE RANGE | 0 TO 5,000 PSI |
| SPEED | 3 FT/SEC |

T-SEALS

| Part Number | A Nom. ID | B Nom. OD | C Nom. Ht | O-RING DASH NUMBER | D GROOVE WIDTH | H GROOVE DIAMETER | J BORE DIAMETER | List Price |
|-------------|--------------|--------------|--------------|-----------------------|------------------------|-------------------------|-------------------------|---------------|
| TP-009-L | 5/8 | 7/8 | .185 | -208 | .185 +.010 +.000 | .630 +.002 +.000 | .875 ±.001 | \$9.42 |
| TP-011-L | 3/4 | 1 | .185 | -210 | .185 +.010 +.000 | .756 +.002 +.000 | 1.000 +.002 +.000 | 8.47 |
| TP-013-L | 7/8 | 1-1/8 | .185 | -212 | .185 +.010 +.000 | .881 +.002 +.000 | 1.125 +.002 +.000 | 9.42 |
| TP-015-L | 1 | 1-1/4 | .185 | -214 | .185 +.010 +.000 | 1.006 +.002 +.000 | 1.250 +.002 +.000 | 9.42 |
| TP-017-L | 1-1/8 | 1-3/8 | .185 | -216 | .185 +.010 +.000 | 1.131 +.002 +.000 | 1.375 +.002 +.000 | 9.42 |
| TP-019-L | 1-1/4 | 1-1/2 | .185 | -218 | .185 +.010 +.000 | 1.256 +.002 +.000 | 1.500 +.002 +.000 | 8.82 |
| TP-021-L | 1-3/8 | 1-5/8 | .185 | -220 | .185 +.010 +.000 | 1.381 +.002 +.000 | 1.625 +.002 +.000 | 9.42 |
| TP-022-L | 1-1/2 | 1-3/4 | .185 | -222 | .185 +.010 +.000 | 1.506 +.002 +.000 | 1.750 +.002 +.000 | 9.42 |
| TP-023-L | 1-1/2 | 1-7/8 | .28 | -325 | .280 +.010 +.000 | 1.502 +.002 +.000 | 1.875 +.002 +.000 | 9.41 |
| TP-024-L | 1-5/8 | 2 | .28 | -326 | .280 +.010 +.000 | 1.627 +.002 +.000 | 2.000 +.002 +.000 | 7.90 |
| TP-025-L | 1-3/4 | 2-1/8 | .28 | -327 | .280 +.010 +.000 | 1.752 +.002 +.000 | 2.125 +.002 +.000 | 8.29 |
| TP-026-L | 1-7/8 | 2-1/4 | .28 | -328 | .280 +.010 +.000 | 1.877 +.002 +.000 | 2.250 +.002 +.000 | 8.81 |
| TP-027-L | 2 | 2-3/8 | .28 | -329 | .280 +.010 +.000 | 2.002 +.002 +.000 | 2.375 +.002 +.000 | 9.25 |
| TP-028-L | 2-1/8 | 2-1/2 | .28 | -330 | .280 +.010 +.000 | 2.127 +.002 +.000 | 2.500 +.002 +.000 | 9.77 |
| TP-029-L | 2-1/4 | 2-5/8 | .28 | -331 | .280 +.010 +.000 | 2.252 +.002 +.000 | 2.625 +.002 +.000 | 10.62 |
| TP-030-L | 2-3/8 | 2-3/4 | .28 | -332 | .280 +.010 +.000 | 2.377 +.003 -.001 | 2.750 +.003 -.001 | 10.73 |



STYLE TP-L LOCKING PISTON T-SEALS

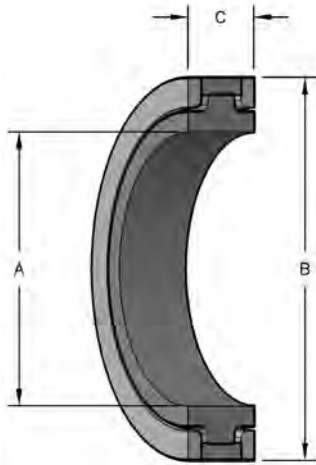
| Part Number | A Nom. ID | B Nom. OD | C Nom. Ht | O-RING DASH NUMBER | D GROOVE WIDTH | H GROOVE DIAMETER | J BORE DIAMETER | List Price |
|-------------|--------------|--------------|--------------|-----------------------|--|--|--|---------------|
| TP-031-L | 2-1/2 | 2-7/8 | .28 | -333 | .280 ⁺⁰¹⁰ / ₊₀₀₀ | 2.502 ⁺⁰⁰³ / _{-.001} | 2.875 ⁺⁰⁰³ / _{-.001} | 11.13 |
| TP-032-L | 2-5/8 | 3 | .28 | -334 | .280 ⁺⁰¹⁰ / ₊₀₀₀ | 2.627 ⁺⁰⁰³ / _{-.001} | 3.000 ⁺⁰⁰³ / _{-.001} | 12.33 |
| TP-033-L | 2-3/4 | 3-1/8 | .28 | -335 | .280 ⁺⁰¹⁰ / ₊₀₀₀ | 2.752 ⁺⁰⁰³ / _{-.001} | 3.125 ⁺⁰⁰³ / _{-.001} | 12.04 |
| TP-034-L | 2-7/8 | 3-1/4 | .28 | -336 | .280 ⁺⁰¹⁰ / ₊₀₀₀ | 2.877 ⁺⁰⁰³ / _{-.001} | 3.250 ⁺⁰⁰³ / _{-.001} | 13.38 |
| TP-035-L | 3-1/8 | 3-1/2 | .28 | -338 | .280 ⁺⁰¹⁰ / ₊₀₀₀ | 3.128 ⁺⁰⁰³ / _{-.001} | 3.500 ⁺⁰⁰⁴ / ₊₀₀₀ | 14.70 |
| TP-037-L | 3-3/8 | 3-3/4 | .28 | -340 | .280 ⁺⁰¹⁰ / ₊₀₀₀ | 3.378 ⁺⁰⁰³ / _{-.001} | 3.750 ⁺⁰⁰⁴ / ₊₀₀₀ | 16.61 |
| TP-039-L | 3-5/8 | 4 | .28 | -342 | .280 ⁺⁰¹⁰ / ₊₀₀₀ | 3.628 ⁺⁰⁰³ / _{-.001} | 4.000 ⁺⁰⁰⁴ / ₊₀₀₀ | 18.53 |
| TP-041-L | 3-7/8 | 4-1/4 | .28 | -344 | .280 ⁺⁰¹⁰ / ₊₀₀₀ | 3.878 ⁺⁰⁰³ / _{-.001} | 4.250 ⁺⁰⁰⁴ / ₊₀₀₀ | 21.30 |
| TP-043-L | 4-1/8 | 4-1/2 | .28 | -346 | .280 ⁺⁰¹⁰ / ₊₀₀₀ | 4.128 ⁺⁰⁰³ / _{-.001} | 4.500 ⁺⁰⁰⁴ / ₊₀₀₀ | 23.00 |
| TP-045-L | 4-3/8 | 4-3/4 | .28 | -348 | .280 ⁺⁰¹⁰ / ₊₀₀₀ | 4.378 ⁺⁰⁰³ / _{-.001} | 4.750 ⁺⁰⁰⁴ / ₊₀₀₀ | 32.12 |
| TP-047-L | 4-5/8 | 5 | .28 | -350 | .280 ⁺⁰¹⁰ / ₊₀₀₀ | 4.629 ⁺⁰⁰³ / _{-.001} | 5.000 ⁺⁰⁰⁵ / ₊₀₀₁ | 33.55 |
| TP-049-L | 4-3/4 | 5-1/4 | .366 | -427 | .366 ⁺⁰¹⁰ / ₊₀₀₀ | 4.774 ⁺⁰⁰³ / _{-.001} | 5.250 ⁺⁰⁰⁵ / ₊₀₀₁ | 36.75 |
| TP-051-L | 5 | 5-1/2 | .366 | -429 | .366 ⁺⁰¹⁰ / ₊₀₀₀ | 5.024 ⁺⁰⁰³ / _{-.001} | 5.500 ⁺⁰⁰⁵ / ₊₀₀₁ | 40.39 |
| TP-053-L | 5-1/4 | 5-3/4 | .366 | -431 | .366 ⁺⁰¹⁰ / ₊₀₀₀ | 5.274 ⁺⁰⁰³ / _{-.001} | 5.750 ⁺⁰⁰⁵ / ₊₀₀₁ | 41.28 |
| TP-055-L | 5-1/2 | 6 | .366 | -433 | .366 ⁺⁰¹⁰ / ₊₀₀₀ | 5.524 ⁺⁰⁰³ / _{-.001} | 6.000 ⁺⁰⁰⁵ / ₊₀₀₁ | 44.55 |
| TP-058-L | 6 | 6-1/2 | .366 | -437 | .366 ⁺⁰¹⁰ / ₊₀₀₀ | 6.024 ⁺⁰⁰⁴ / _{-.002} | 6.500 ⁺⁰⁰⁶ / ₊₀₀₀ | 45.90 |
| TP-443-WB-L | 7-1/2 | 8 | .579 | -443 | .579 ⁺⁰¹⁰ / ₊₀₀₀ | 7.524 ⁺⁰⁰⁴ / _{-.002} | 8.000 ⁺⁰⁰⁶ / ₊₀₀₀ | 102.00 |

T-SEALS



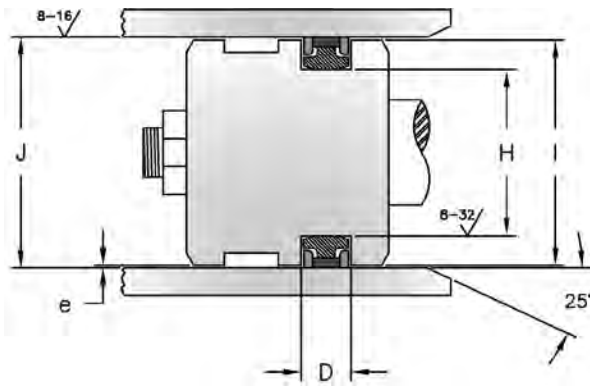
STYLE CPS CAPPED PISTON T-SEALS

A heavy duty double-acting assembly, the capped piston T-seal exhibits excellent sealability, extrusion resistance, and wearability. T-seals with "BR" suffix utilize a Bronze Filled PTFE cap instead of the standard Glass Filled PTFE cap.



HERCULES PART NUMBERS

CPS - 1750BR
Prefix Bore Size



SEAL INFORMATION

| | |
|-------------------|---|
| MATERIAL | PTFE CAP NYLON BACK-UP RUBBER ENERGIZER |
| TEMPERATURE RANGE | -40° TO +220° F |
| PRESSURE RANGE | 0 TO 6,000 psi |
| SPEED | 4.5 FT/SEC |

T-SEALS

| Part Number | A Nom. ID | B Nom. OD | C Nom. Ht | D GROOVE WIDTH | H GROOVE DIAMETER | I PISTON DIAMETER | I PISTON DIAMETER W/WR | J BORE DIAMETER | List Price |
|-------------|--------------|--------------|--------------|------------------------|--------------------------|--------------------------|---------------------------|----------------------------|------------|
| CPS-1500BR | 14.275 | 15 | 3/4 | .750 +.010 +.000 | 14.275 +.000 -.004 | 14.999 +.000 -.008 | 14.999 +.000 -.029 | 15.000 +.0055 +.0000 | \$429.50 |
| CPS-1750BR | 1.376 | 1-3/4 | .424 | .424 +.010 +.000 | 1.376 +.000 -.002 | 1.749 +.000 -.006 | 1.749 +.000 -.024 | 1.750 +.002 +.000 | 60.11 |
| CPS-2000 | 1.626 | 2 | .424 | .424 +.010 +.000 | 1.626 +.000 -.002 | 1.999 +.000 -.006 | 1.999 +.000 -.024 | 2.000 +.002 +.000 | 64.48 |
| CPS-2500 | 2.126 | 2-1/2 | .424 | .424 +.010 +.000 | 2.126 +.000 -.002 | 2.499 +.000 -.006 | 2.499 +.000 -.024 | 2.500 +.002 +.000 | 67.30 |
| CPS-2750BR | 2.376 | 2-3/4 | .424 | .424 +.010 +.000 | 2.376 +.000 -.002 | 2.749 +.000 -.006 | 2.749 +.000 -.024 | 2.750 +.002 +.000 | 90.99 |
| CPS-3000A | 2.442 | 3 | .42 | .420 +.010 +.000 | 2.442 +.000 -.002 | 2.999 +.000 -.006 | 2.999 +.000 -.029 | 3.000 +.003 +.000 | 40.61 |
| CPS-3000 | 2.52 | 3 | .579 | .579 +.010 +.000 | 2.520 +.000 -.003 | 2.999 +.000 -.006 | 2.999 +.000 -.029 | 3.000 +.003 +.000 | 86.87 |
| CPS-3000BR | 2.52 | 3 | .579 | .579 +.010 +.000 | 2.520 +.000 -.003 | 2.999 +.000 -.006 | 2.999 +.000 -.029 | 3.000 +.003 +.000 | 94.31 |
| CPS-3250 | 2.77 | 3-1/4 | .579 | .579 +.010 +.000 | 2.770 +.000 -.003 | 3.249 +.000 -.006 | 3.249 +.000 -.029 | 3.250 +.003 +.000 | 89.72 |
| CPS-3500A | 2-15/16 | 3-1/2 | .4 | .433 +.010 +.000 | 2.937 ±.003 | 3.499 +.000 -.006 | 3.499 +.000 -.029 | 3.500 +.003 +.000 | 92.12 |
| CPS-3500 | 3.02 | 3-1/2 | .579 | .579 +.010 +.000 | 3.020 +.000 -.003 | 3.499 +.000 -.006 | 3.499 +.000 -.029 | 3.500 +.003 +.000 | 90.33 |
| CPS-3500BR | 3.02 | 3-1/2 | .579 | .579 +.010 +.000 | 3.020 +.000 -.003 | 3.499 +.000 -.006 | 3.499 +.000 -.029 | 3.500 +.003 +.000 | 98.12 |
| CPS-3750 | 3.27 | 3-3/4 | .579 | .579 +.010 +.000 | 3.270 +.000 -.003 | 3.749 +.000 -.006 | 3.749 +.000 -.029 | 3.750 +.003 +.000 | 91.44 |
| CPS-4001 | 3.384 | 4 | .271 | .288 +.005 +.000 | 3.384 +.000 -.003 | 3.999 +.000 -.002 | 3.999 +.000 -.029 | 4.000 +.002 +.000 | 83.33 |

NORTH AMERICA
PHONE 1-800-777-5617
FAX 1-800-759-6391

SALES OFFICE HOURS
8 A.M. TO 7:30 P.M. EASTERN TIME
www.HerculesUS.com

WORLDWIDE
PHONE 1-727-796-1300
FAX 1-727-797-8849



STYLE CPS CAPPED PISTON T-SEALS

| Part Number | A Nom. ID | B Nom. OD | C Nom. Ht | D GROOVE WIDTH | H GROOVE DIAMETER | I PISTON DIAMETER | I PISTON DIAMETER W/WR | J BORE DIAMETER | List Price |
|--------------|--------------|--------------|--------------|--|---|---|---|---|---------------|
| CPS-4000-288 | 3.384 | 4 | .288 | .288 ⁺⁰¹⁰ / ₊₀₀₀ | 3.384 ⁺⁰⁰⁰ / ₋₀₀₂ | 3.999 ⁺⁰⁰⁰ / ₋₀₀₆ | 3.999 ⁺⁰⁰⁰ / ₋₀₂₉ | 4.000 ⁺⁰⁰³ / ₊₀₀₀ | 71.13 |
| CPS-4000 | 3.52 | 4 | .579 | .579 ⁺⁰¹⁰ / ₊₀₀₀ | 3.520 ⁺⁰⁰⁰ / ₋₀₀₃ | 3.999 ⁺⁰⁰⁰ / ₋₀₀₆ | 3.999 ⁺⁰⁰⁰ / ₋₀₂₉ | 4.000 ⁺⁰⁰³ / ₊₀₀₀ | 94.12 |
| CPS-4000BR | 3.52 | 4 | .579 | .579 ⁺⁰¹⁰ / ₊₀₀₀ | 3.520 ⁺⁰⁰⁰ / ₋₀₀₃ | 3.999 ⁺⁰⁰⁰ / ₋₀₀₆ | 3.999 ⁺⁰⁰⁰ / ₋₀₂₉ | 4.000 ⁺⁰⁰³ / ₊₀₀₀ | 102.96 |
| CPS-4250 | 3.77 | 4-1/4 | .579 | .579 ⁺⁰¹⁰ / ₊₀₀₀ | 3.770 ⁺⁰⁰⁰ / ₋₀₀₃ | 4.249 ⁺⁰⁰⁰ / ₋₀₀₆ | 4.249 ⁺⁰⁰⁰ / ₋₀₂₉ | 4.250 ⁺⁰⁰³ / ₊₀₀₀ | 98.34 |
| CPS-4500 | 4.02 | 4-1/2 | .579 | .579 ⁺⁰¹⁰ / ₊₀₀₀ | 4.020 ⁺⁰⁰⁰ / ₋₀₀₃ | 4.499 ⁺⁰⁰⁰ / ₋₀₀₇ | 4.499 ⁺⁰⁰⁰ / ₋₀₂₉ | 4.500 ⁺⁰⁰³ / ₊₀₀₀ | 100.49 |
| CPS-4500BR | 4.02 | 4-1/2 | .579 | .579 ⁺⁰¹⁰ / ₊₀₀₀ | 4.020 ⁺⁰⁰⁰ / ₋₀₀₃ | 4.499 ⁺⁰⁰⁰ / ₋₀₀₇ | 4.499 ⁺⁰⁰⁰ / ₋₀₂₉ | 4.500 ⁺⁰⁰³ / ₊₀₀₀ | 105.42 |
| CPS-4750A | 4.192 | 4-3/4 | .42 | .420 ⁺⁰¹⁰ / ₊₀₀₀ | 4.192 ⁺⁰⁰⁰ / ₋₀₀₂ | 4.749 ⁺⁰⁰⁰ / ₋₀₀₇ | 4.749 ⁺⁰⁰⁰ / ₋₀₃₆ | 4.750 ⁺⁰⁰³ / ₊₀₀₀ | 84.22 |
| CPS-4750 | 4.27 | 4-3/4 | .579 | .579 ⁺⁰¹⁰ / ₊₀₀₀ | 4.270 ⁺⁰⁰² / ₊₀₀₀ | 4.749 ⁺⁰⁰⁰ / ₋₀₀₇ | 4.749 ⁺⁰⁰⁰ / ₋₀₃₆ | 4.750 ⁺⁰⁰² / ₊₀₀₀ | 113.43 |
| CPS-5000 | 4.27 | 5 | 3/4 | .750 ⁺⁰¹⁰ / ₊₀₀₀ | 4.270 ⁺⁰⁰⁰ / ₋₀₀₄ | 4.999 ⁺⁰⁰⁰ / ₋₀₀₈ | 4.999 ⁺⁰⁰⁰ / ₋₀₂₉ | 5.000 ⁺⁰⁰⁴ / ₊₀₀₀ | 126.36 |
| CPS-5000BR | 4.27 | 5 | 3/4 | .750 ⁺⁰¹⁰ / ₊₀₀₀ | 4.270 ⁺⁰⁰⁰ / ₋₀₀₄ | 4.999 ⁺⁰⁰⁰ / ₋₀₀₈ | 4.999 ⁺⁰⁰⁰ / ₋₀₂₉ | 5.000 ⁺⁰⁰⁴ / ₊₀₀₀ | 127.60 |
| CPS-5000A | 4.316 | 5 | .268 | .268 ⁺⁰¹⁰ / ₊₀₀₀ | 4.316 ⁺⁰⁰⁰ / ₋₀₀₃ | 4.999 ⁺⁰⁰⁰ / ₋₀₀₈ | 4.999 ⁺⁰⁰⁰ / ₋₀₂₉ | 5.000 ⁺⁰⁰³ / ₊₀₀₀ | 184.70 |
| CPS-5000D | 4.52 | 5 | .579 | .579 ⁺⁰¹⁰ / ₊₀₀₀ | 4.520 ⁺⁰⁰² / ₊₀₀₀ | 4.999 ⁺⁰⁰⁰ / ₋₀₀₇ | 4.999 ⁺⁰⁰⁰ / ₋₀₃₆ | 5.000 ⁺⁰⁰² / ₊₀₀₀ | 97.55 |
| CPS-5250 | 4.52 | 5-1/4 | 3/4 | .750 ⁺⁰¹⁰ / ₊₀₀₀ | 4.520 ⁺⁰⁰⁰ / ₋₀₀₄ | 5.249 ⁺⁰⁰⁰ / ₋₀₀₈ | 5.249 ⁺⁰⁰⁰ / ₋₀₂₉ | 5.250 ⁺⁰⁰⁴ / ₊₀₀₀ | 132.60 |
| CPS-5250A | 4.77 | 5-1/4 | .579 | .579 ⁺⁰¹⁰ / ₊₀₀₀ | 4.770 ⁺⁰⁰² / ₊₀₀₀ | 5.249 ⁺⁰⁰⁰ / ₋₀₀₇ | 5.249 ⁺⁰⁰⁰ / ₋₀₃₆ | 5.250 ⁺⁰⁰² / ₊₀₀₀ | 130.10 |
| CPS-5500 | 4.77 | 5-1/2 | 3/4 | .750 ⁺⁰¹⁰ / ₊₀₀₀ | 4.770 ⁺⁰⁰⁰ / ₋₀₀₄ | 5.499 ⁺⁰⁰⁰ / ₋₀₀₈ | 5.499 ⁺⁰⁰⁰ / ₋₀₂₉ | 5.500 ⁺⁰⁰⁴ / ₊₀₀₀ | 140.99 |
| CPS-5500BR | 4.77 | 5-1/2 | 3/4 | .750 ⁺⁰¹⁰ / ₊₀₀₀ | 4.770 ⁺⁰⁰⁰ / ₋₀₀₄ | 5.499 ⁺⁰⁰⁰ / ₋₀₀₈ | 5.499 ⁺⁰⁰⁰ / ₋₀₂₉ | 5.500 ⁺⁰⁰⁴ / ₊₀₀₀ | 149.87 |
| CPS-5500A | 4.942 | 5-1/2 | .42 | .420 ⁺⁰¹⁰ / ₊₀₀₀ | 4.942 ⁺⁰⁰⁰ / ₋₀₀₄ | 5.499 ⁺⁰⁰⁰ / ₋₀₀₈ | 5.499 ⁺⁰⁰⁰ / ₋₀₂₉ | 5.500 ⁺⁰⁰⁴ / ₊₀₀₀ | 124.16 |
| CPS-5504 | 5.02 | 5-1/2 | .579 | .579 ⁺⁰¹⁰ / ₊₀₀₀ | 5.020 ⁺⁰⁰² / ₊₀₀₀ | 5.499 ⁺⁰⁰⁰ / ₋₀₀₇ | 5.499 ⁺⁰⁰⁰ / ₋₀₃₆ | 5.500 ⁺⁰⁰² / ₊₀₀₀ | 134.74 |
| CPS-5504BR | 5.02 | 5-1/2 | .579 | .579 ⁺⁰¹⁰ / ₊₀₀₀ | 5.020 ⁺⁰⁰⁰ / ₋₀₀₄ | 5.499 ⁺⁰⁰⁰ / ₋₀₀₈ | 5.499 ⁺⁰⁰⁰ / ₋₀₂₉ | 5.500 ⁺⁰⁰⁴ / ₊₀₀₀ | 136.88 |
| CPS-5750 | 5.024 | 5-3/4 | 3/4 | .750 ⁺⁰¹⁰ / ₊₀₀₀ | 5.024 ⁺⁰⁰⁰ / ₋₀₀₄ | 5.749 ⁺⁰⁰⁰ / ₋₀₀₈ | 5.749 ⁺⁰⁰⁰ / ₋₀₂₉ | 5.750 ⁺⁰⁰⁴ / ₊₀₀₀ | 134.00 |
| CPS-6000 | 5.27 | 6 | 3/4 | .750 ⁺⁰¹⁰ / ₊₀₀₀ | 5.270 ⁺⁰⁰⁰ / ₋₀₀₄ | 5.999 ⁺⁰⁰⁰ / ₋₀₀₈ | 5.999 ⁺⁰⁰⁰ / ₋₀₂₉ | 6.000 ⁺⁰⁰⁴ / ₊₀₀₀ | 144.93 |
| CPS-6000A | 5.52 | 6 | .579 | .579 ⁺⁰¹⁰ / ₊₀₀₀ | 5.520 ⁺⁰⁰⁰ / ₋₀₀₃ | 5.999 ⁺⁰⁰⁰ / ₋₀₀₈ | 5.999 ⁺⁰⁰⁰ / ₋₀₂₉ | 6.000 ⁺⁰⁰³ / ₊₀₀₀ | 174.94 |
| CPS-6015 | 5.285 | 6.015 | 3/4 | .750 ⁺⁰¹⁰ / ₊₀₀₀ | 5.285 ⁺⁰⁰⁰ / ₋₀₀₄ | 6.014 ⁺⁰⁰⁰ / ₋₀₀₈ | 6.014 ⁺⁰⁰⁰ / ₋₀₂₉ | 6.015 ⁺⁰⁰⁴ / ₊₀₀₀ | 206.58 |
| CPS-6250 | 5.52 | 6-1/4 | 3/4 | .750 ⁺⁰¹⁰ / ₊₀₀₀ | 5.520 ⁺⁰⁰⁰ / ₋₀₀₄ | 6.249 ⁺⁰⁰⁰ / ₋₀₀₈ | 6.249 ⁺⁰⁰⁰ / ₋₀₂₉ | 6.250 ⁺⁰⁰⁴ / ₊₀₀₀ | 147.80 |
| CPS-6250BR | 5.52 | 6-1/4 | 3/4 | .750 ⁺⁰¹⁰ / ₊₀₀₀ | 5.520 ⁺⁰⁰⁰ / ₋₀₀₄ | 6.249 ⁺⁰⁰⁰ / ₋₀₀₈ | 6.249 ⁺⁰⁰⁰ / ₋₀₂₉ | 6.250 ⁺⁰⁰⁴ / ₊₀₀₀ | 153.12 |
| CPS-6500 | 5.77 | 6-1/2 | 3/4 | .750 ⁺⁰¹⁰ / ₊₀₀₀ | 5.770 ⁺⁰⁰⁰ / ₋₀₀₄ | 6.499 ⁺⁰⁰⁰ / ₋₀₀₈ | 6.499 ⁺⁰⁰⁰ / ₋₀₂₉ | 6.500 ⁺⁰⁰⁴ / ₊₀₀₀ | 146.79 |
| CPS-6504 | 6.02 | 6-1/2 | .579 | .579 ⁺⁰¹⁰ / ₊₀₀₀ | 6.020 ⁺⁰⁰⁰ / ₋₀₀₄ | 6.499 ⁺⁰⁰⁰ / ₋₀₀₈ | 6.499 ⁺⁰⁰⁰ / ₋₀₂₉ | 6.500 ⁺⁰⁰⁴ / ₊₀₀₀ | 156.96 |
| CPS-6504BR | 6.02 | 6-1/2 | .579 | .579 ⁺⁰¹⁰ / ₊₀₀₀ | 6.020 ⁺⁰⁰⁰ / ₋₀₀₄ | 6.499 ⁺⁰⁰⁰ / ₋₀₀₈ | 6.499 ⁺⁰⁰⁰ / ₋₀₂₉ | 6.500 ⁺⁰⁰⁴ / ₊₀₀₀ | 167.13 |
| CPS-7000 | 6.27 | 7 | 3/4 | .750 ⁺⁰¹⁰ / ₊₀₀₀ | 6.270 ⁺⁰⁰⁰ / ₋₀₀₄ | 6.999 ⁺⁰⁰⁰ / ₋₀₀₈ | 6.999 ⁺⁰⁰⁰ / ₋₀₂₉ | 7.000 ⁺⁰⁰⁴ / ₊₀₀₀ | 188.40 |
| CPS-7000BR | 6.27 | 7 | 3/4 | .750 ⁺⁰¹⁰ / ₊₀₀₀ | 6.270 ⁺⁰⁰⁰ / ₋₀₀₄ | 6.999 ⁺⁰⁰⁰ / ₋₀₀₈ | 6.999 ⁺⁰⁰⁰ / ₋₀₂₉ | 7.000 ⁺⁰⁰⁴ / ₊₀₀₀ | 191.29 |
| CPS-7250BR | 6.52 | 7-1/4 | 3/4 | .750 ⁺⁰¹⁰ / ₊₀₀₀ | 6.520 ⁺⁰⁰⁰ / ₋₀₀₄ | 7.249 ⁺⁰⁰⁰ / ₋₀₀₈ | 7.249 ⁺⁰⁰⁰ / ₋₀₂₉ | 7.250 ⁺⁰⁰⁴ / ₊₀₀₀ | 197.02 |
| CPS-7500 | 6.77 | 7-1/2 | 3/4 | .750 ⁺⁰¹⁰ / ₊₀₀₀ | 6.770 ⁺⁰⁰⁰ / ₋₀₀₄ | 7.499 ⁺⁰⁰⁰ / ₋₀₀₈ | 7.499 ⁺⁰⁰⁰ / ₋₀₂₉ | 7.500 ⁺⁰⁰⁴ / ₊₀₀₀ | 169.08 |
| CPS-8000 | 7.27 | 8 | 3/4 | .750 ⁺⁰¹⁰ / ₊₀₀₀ | 7.270 ⁺⁰⁰⁰ / ₋₀₀₄ | 7.999 ⁺⁰⁰⁰ / ₋₀₀₈ | 7.999 ⁺⁰⁰⁰ / ₋₀₂₉ | 8.000 ⁺⁰⁰⁴ / ₊₀₀₀ | 214.28 |

T-SEALS

FORMERLY LISTED SEALS ARE AVAILABLE ONLINE AT WWW.HERCULESUS.COM
OR BY CONTACTING YOUR REGIONAL HERCULES SALES TEAM.



STYLE CPS CAPPED PISTON T-SEALS

T-SEALS

| Part Number | A Nom. ID | B Nom. OD | C Nom. Ht | D GROOVE WIDTH | H GROOVE DIAMETER | I PISTON DIAMETER | I PISTON DIAMETER W/WR | J BORE DIAMETER | List Price |
|-------------|--------------|--------------|--------------|--|---|---|---|--|---------------|
| CPS-8000BR | 7.274 | 8 | 3/4 | .750 ^{+0.010} / _{+0.000} | 7.274 ^{+0.000} / _{-.004} | 7.999 ^{+0.000} / _{-.008} | 7.999 ^{+0.000} / _{-.029} | 8.000 ^{+0.0045} / _{+0.0000} | 219.92 |
| CPS-8500 | 7.77 | 8-1/2 | 3/4 | .750 ^{+0.010} / _{+0.000} | 7.770 ^{+0.000} / _{-.004} | 8.499 ^{+0.000} / _{-.008} | 8.499 ^{+0.000} / _{-.029} | 8.500 ^{+0.004} / _{+0.000} | 220.90 |
| CPS-8500BR | 7.774 | 8-1/2 | 3/4 | .750 ^{+0.010} / _{+0.000} | 7.774 ^{+0.000} / _{-.004} | 8.499 ^{+0.000} / _{-.008} | 8.499 ^{+0.000} / _{-.029} | 8.500 ^{+0.0045} / _{+0.0000} | 222.00 |
| CPS-9000 | 8.27 | 9 | 3/4 | .750 ^{+0.010} / _{+0.000} | 8.270 ^{+0.000} / _{-.004} | 8.999 ^{+0.000} / _{-.008} | 8.999 ^{+0.000} / _{-.029} | 9.000 ^{+0.004} / _{+0.000} | 234.13 |
| CPS-10000 | 9.27 | 10 | 3/4 | .750 ^{+0.010} / _{+0.000} | 9.270 ^{+0.000} / _{-.004} | 9.999 ^{+0.000} / _{-.008} | 9.999 ^{+0.000} / _{-.029} | 10.000 ^{+0.004} / _{+0.000} | 246.93 |
| CPS-10000BR | 9.275 | 10 | 3/4 | .750 ^{+0.010} / _{+0.000} | 9.275 ^{+0.000} / _{-.004} | 9.999 ^{+0.000} / _{-.008} | 9.999 ^{+0.000} / _{-.029} | 10.000 ^{+0.0051} / _{+0.0000} | 256.50 |
| CPS-11000BR | 10.275 | 11 | 3/4 | .750 ^{+0.010} / _{+0.000} | 10.275 ^{+0.000} / _{-.004} | 10.999 ^{+0.000} / _{-.008} | 10.999 ^{+0.000} / _{-.029} | 11.000 ^{+0.0051} / _{+0.0000} | 256.67 |
| CPS-12000BR | 11.275 | 12 | 3/4 | .750 ^{+0.010} / _{+0.000} | 11.275 ^{+0.000} / _{-.004} | 11.999 ^{+0.000} / _{-.008} | 11.999 ^{+0.000} / _{-.029} | 12.000 ^{+0.005} / _{+0.000} | 299.44 |
| CPS-13000BR | 12.275 | 13 | 3/4 | .750 ^{+0.010} / _{+0.000} | 12.275 ^{+0.000} / _{-.004} | 12.999 ^{+0.000} / _{-.008} | 12.999 ^{+0.000} / _{-.029} | 13.000 ^{+0.005} / _{+0.000} | 355.06 |
| CPS-14000BR | 13.275 | 14 | 3/4 | .750 ^{+0.010} / _{+0.000} | 13.275 ^{+0.000} / _{-.004} | 13.999 ^{+0.000} / _{-.008} | 13.999 ^{+0.000} / _{-.029} | 14.000 ^{+0.005} / _{+0.000} | 378.17 |
| CPS-16000BR | 15.275 | 16 | 3/4 | .750 ^{+0.010} / _{+0.000} | 15.275 ^{+0.000} / _{-.004} | 15.999 ^{+0.000} / _{-.008} | 15.999 ^{+0.000} / _{-.029} | 16.000 ^{+0.0061} / _{+0.0000} | 462.00 |

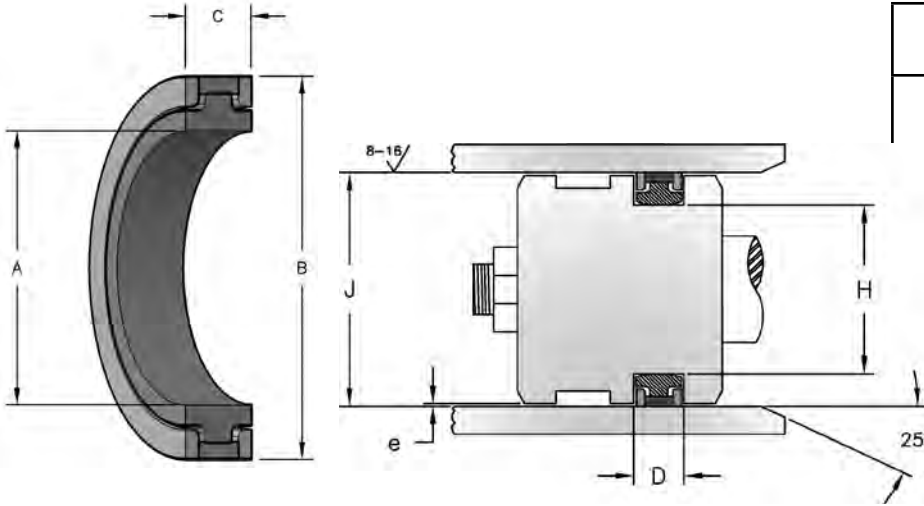
Seal color may vary. Special order sizes are available. Sizes not shown and out of stock items can also be ordered for next day delivery through Seals On Demand, our custom seal program. Please call your regional sales team for assistance.

NORTH AMERICA
PHONE 1-800-777-5617
FAX 1-800-759-6391

SALES OFFICE HOURS
8 A.M. TO 7:30 P.M. EASTERN TIME
www.HerculesUS.com

WORLDWIDE
PHONE 1-727-796-1300
FAX 1-727-797-8849

REPLACEMENT CAPPED PISTON T-SEALS FOR CATERPILLAR EQUIPMENT*



| SEAL INFORMATION | |
|-------------------|---|
| MATERIAL | BUNA-N RUBBER SEALHARD PLASTIC BACK-UPS |
| TEMPERATURE RANGE | -40° TO +220° F |
| PRESSURE RANGE | 0 TO 6,000 PSI |

| Part Number | A Nom. ID | B Nom. OD | C Nom. Ht | D GROOVE WIDTH | H GROOVE DIAMETER | J BORE DIAMETER | List Price |
|-------------|--------------|--------------|--------------|-------------------|----------------------|--------------------|------------|
| CTC-8J3747 | 3.825 | 4-1/2 | 1/2 | .500 ±.002 | 3.830 ±.003 | 4.500 | \$105.37 |
| CTC-9J7868 | 4-1/4 | 5 | 5/8 | .640 ±.002 | 4.220 ±.003 | 5.000 | 128.75 |
| CTC-8J8767 | 4-11/16 | 5-1/2 | 5/8 | .640 ±.002 | 4.720 ±.003 | 5.500 | 144.47 |
| CTC-9J1242 | 5-1/16 | 6 | 5/8 | .640 ±.002 | 5.090 ±.003 | 6.000 | 150.95 |
| CTC-9J5558 | 5-5/16 | 6-1/4 | 5/8 | .640 ±.002 | 5.340 ±.003 | 6.250 | 154.18 |
| CTC-8J8703 | 5.5925 | 6-1/2 | 5/8 | .640 ±.002 | 5.590 ±.003 | 6.500 | 170.11 |
| CTC-8J3749 | 6-1/16 | 7 | 5/8 | .640 ±.002 | 6.090 ±.003 | 7.000 | 175.40 |
| CTC-8J4510 | 6-3/8 | 7-1/4 | 5/8 | .640 ±.002 | 6.340 ±.003 | 7.250 | 181.10 |
| CTC-9J5567 | 6-9/16 | 7-1/2 | 5/8 | .640 ±.002 | 6.590 ±.003 | 7.500 | 183.65 |
| CTC-8J5644 | 6-13/16 | 7-3/4 | 5/8 | .640 ±.002 | 6.840 ±.003 | 7.750 | 191.33 |
| CTC-8J4390 | 7-1/4 | 8-1/4 | 5/8 | .640 ±.002 | 7.260 ±.003 | 8.250 | 204.11 |
| CTC-3G4762 | 7-1/2 | 8-1/2 | 5/8 | .640 ±.002 | 7.500 ±.003 | 8.500 | 214.10 |
| CTC-9J3406 | 8-7/8 | 10 | 11/16 | .690 ±.002 | 8.880 ±.003 | 10.000 | 253.99 |
| CTC-3G4765 | 9-3/8 | 10-1/2 | 11/16 | .690 ±.002 | 9.380 ±.003 | 10.500 | 274.32 |
| CTC-9J2987 | 10-3/8 | 11-1/2 | 11/16 | .690 ±.002 | 10.380 ±.003 | 11.500 | 312.24 |

INSTALLATION OF PTFE PISTON SEALS

Installing PTFE piston seals is not always an easy task. The use of installation tools is recommended but often not convenient when working with a wide variety of sizes and applications. Finger installations are practical with rings of smaller cross-sections. Using fingers or a rounded plastic stick, knead the ring over the piston into the groove. With rings of larger cross-sections it may be necessary to heat the ring. Warming the ring in water or oil at 130° F or 140° F for about 5 minutes will soften the material for easier installation. Always avoid inconsistent stretching or overstretching of the PTFE seal.

To prevent the PTFE ring from snapping into the wrong groove, cover wear ring grooves with plastic tape.

After seal installation, assembly of the cylinder may be difficult if the piston seal is loose on the piston or the cylinder has an inadequate leading edge chamfer. In such cases, compress the piston seal with belting or a suitable hose clamp. If the piston seal must pass threads or any other sharp edges during the cylinder assembly, cover the edges with plastic tape or wrap.

NOTE: Caterpillar® part numbers are used as a reference only. We do not imply that these parts are original equipment parts.

Seal color may vary. Special order sizes are available. Sizes not shown and out of stock items can also be ordered for next day delivery through Seals On Demand, our custom seal program. Please call your regional sales team for assistance.

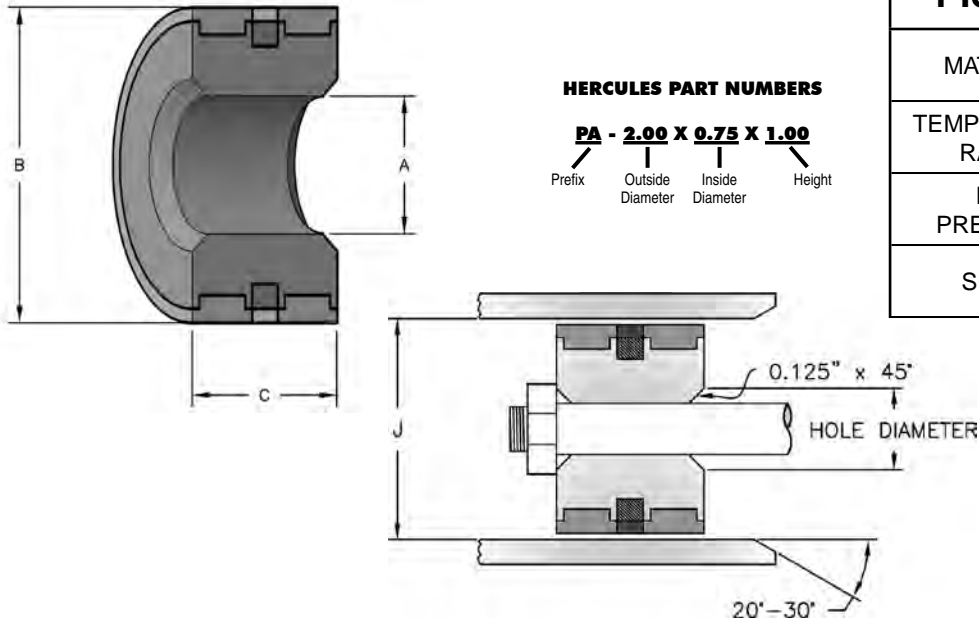
**FORMERLY LISTED SEALS ARE AVAILABLE ONLINE AT WWW.HERCULESUS.COM
OR BY CONTACTING YOUR REGIONAL HERCULES SALES TEAM.**

T-SEALS



STYLE PA UNITIZED PISTONS

The PA Unitized Pistons are designed to handle a broad range of application parameters. The piston body is machined to exact dimensions and is constructed using four components: A high strength steel body, a non-metallic bearing, a rubber loading ring and a filled PTFE seal ring. The non-metallic bearing is molded to the piston using a special proprietary process.



PISTON INFORMATION

| | |
|-------------------|-------------------------|
| MATERIAL | STEEL, NYLON, NBR, PTFE |
| TEMPERATURE RANGE | -40° TO +230° F |
| MAX PRESSURE | 5,000 PSI |
| SPEED | 3 FT/SEC |

HERCULES PART NUMBERS

PA - 2.00 X 0.75 X 1.00

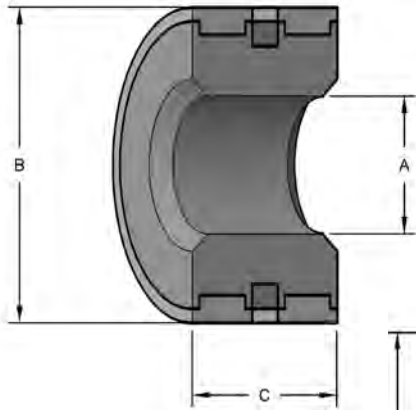
Prefix Outside Diameter Inside Diameter Height

UNITIZED PISTONS

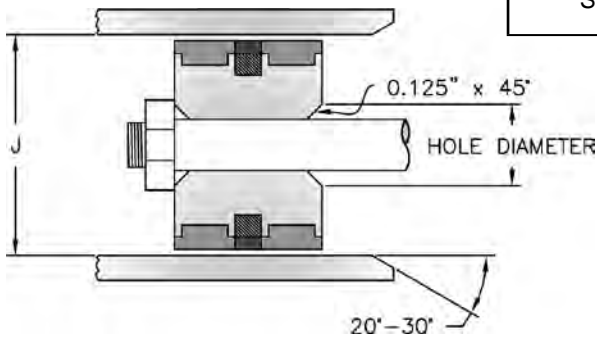
| Part Number | A Nom. ID | B Nom. OD | C Nom. Ht | C WIDTH | J BORE DIAMETER | H HOLE SIZE | List Price |
|-------------------|--------------|--------------|--------------|---|---|---|------------|
| PA-2.00X0.75X1.00 | 3/4 | 2 | 1 | 1.000 ^{+0.002} / _{+0.000} | 2.000 ^{+0.003} / _{+0.000} | .750 ^{+0.002} / _{+0.000} | \$131.46 |
| PA-2.50X1.00X1.00 | 1 | 2-1/2 | 1 | 1.000 ^{+0.002} / _{+0.000} | 2.500 ^{+0.003} / _{+0.000} | 1.000 ^{+0.002} / _{+0.000} | 156.52 |
| PA-3.50X1.00X1.50 | 1 | 3-1/2 | 1-1/2 | 1.500 ^{+0.002} / _{+0.000} | 3.500 ^{+0.004} / _{+0.000} | 1.000 ^{+0.002} / _{+0.000} | 200.36 |
| PA-4.00X1.25X1.50 | 1-1/4 | 4 | 1-1/2 | 1.500 ^{+0.002} / _{+0.000} | 4.000 ^{+0.004} / _{+0.000} | 1.250 ^{+0.002} / _{+0.000} | 212.85 |

UNITIZED PISTONS FOR BOBCAT

The Bobcat Unitized Pistons are designed to handle a broad range of application parameters. The piston body is machined to exact dimensions and is constructed using four components: a high strength steel body, a non-metallic bearing, a rubber loading ring, and a filled PTFE seal ring. The non-metallic bearing is molded to the piston using a special proprietary process.



HERCULES PART NUMBERS



| PISTON INFORMATION | |
|--------------------|-------------------------|
| MATERIAL | STEEL, NYLON, NBR, PTFE |
| TEMPERATURE RANGE | -40° TO +230° F |
| PRESSURE RANGE | 0 TO 5,000 PSI |
| SPEED | 3 FT/SEC |

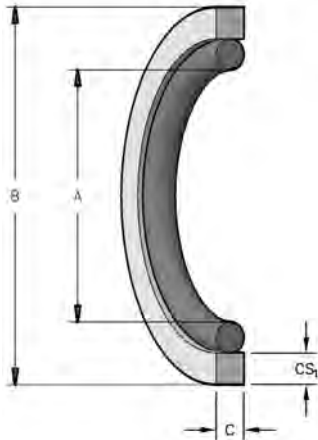
UNITIZED PISTONS

| Part Number | A Nom. ID | B Nom. OD | C Nom. Ht | C WIDTH | H HOLE SIZE | List Price |
|-------------|-----------|-----------|-----------|---|---|------------|
| BCK-6665013 | 3/4 | 2 | 1 | 1.000 ^{+0.00} / _{-.005} | .752 ^{+0.003} / _{+0.000} | \$85.58 |
| BCK-6661694 | 3/4 | 2 | 1-1/4 | 1.250 ±.005 | .751 ^{+0.002} / _{+0.000} | 101.89 |
| BCK-6665207 | 1 | 2-1/4 | 1 | 1.000 ^{+0.005} / _{+0.000} | 1.001 ^{+0.002} / _{+0.000} | 101.89 |
| BCK-6661820 | 1 | 2-1/4 | 1-1/4 | 1.250 ^{+0.000} / _{-.005} | 1.001 ^{+0.002} / _{+0.000} | 101.89 |
| BCK-6667291 | 1 | 2-1/2 | 1 | 1.000 ^{+0.005} / _{+0.000} | 1.001 ^{+0.002} / _{+0.000} | 101.89 |
| BCK-6673791 | 1-1/8 | 2-1/2 | 1 | 1.000 ^{+0.005} / _{+0.000} | 1.126 ^{+0.002} / _{+0.000} | 101.89 |
| BCK-6666286 | 1-1/8 | 2-3/4 | 1 | 1.000 ^{+0.005} / _{+0.000} | 1.126 ^{+0.002} / _{+0.000} | 122.26 |
| BCK-6669993 | 1-1/8 | 3 | 1 | 1.000 ^{+0.000} / _{-.005} | 1.126 ^{+0.002} / _{+0.000} | 127.37 |

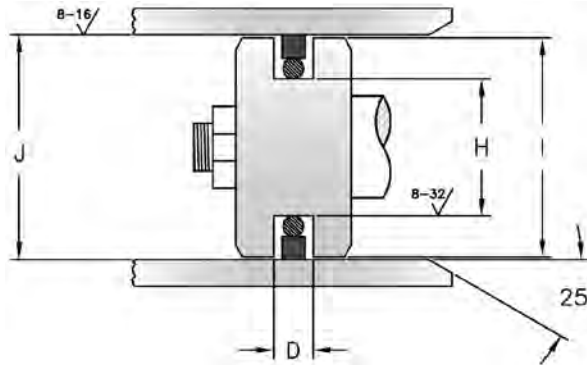
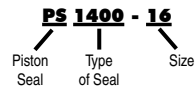


STYLE PS1400 GLASS FILLED PTFE PISTON SEALS

The PS1400 seals offer low friction and high strength in a compact double-acting piston seal design. The PTFE seal ring, combined with a rubber energizer, assures positive contact with the dynamic surface. The PS1400 is designed to fit ANSI/B93.32-1973 groove standards. Piston diameter "I" dimensions are given for pistons without wear rings.



HERCULES PART NUMBERS



SEAL INFORMATION

| | |
|-------------------|---|
| MATERIAL | 15% GLASS FILLED PTFE SEAL RUBBER ENERGIZER |
| TEMPERATURE RANGE | -40° TO +220° F |
| PRESSURE RANGE | 0 TO 5,000 PSI |
| SPEED | 12 FT/SEC |

PISTON SEAL ASSEMBLIES

| Part Number | A Nom. ID | B Nom. OD | C Nom. Ht | C WIDTH | D GROOVE WIDTH | H GROOVE DIAMETER | I PISTON DIAMETER | J BORE DIAMETER | CS ₁ RING CROSS SECTION | List Price |
|-------------|--------------|--------------|--------------|------------|-------------------|----------------------|----------------------|---|---------------------------------------|------------|
| PS1400-16 | .74 | 1 | .07 | .070 ±.005 | .083 ±.002 | .740 ±.002 | .997 ±.001 | 1.000 ^{+.002} / _{+.000} | .070 ±.005 | \$4.58 |
| PS1400-18 | .865 | 1-1/8 | .07 | .070 ±.005 | .083 ±.002 | .865 ±.002 | 1.122 ±.001 | 1.125 ^{+.002} / _{+.000} | .070 ±.005 | 6.11 |
| PS1400-20 | .99 | 1-1/4 | .07 | .070 ±.005 | .083 ±.002 | .990 ±.002 | 1.247 ±.001 | 1.250 ^{+.002} / _{+.000} | .070 ±.005 | 5.05 |
| PS1400-22 | 1.115 | 1-3/8 | .07 | .070 ±.005 | .083 ±.002 | 1.115 ±.002 | 1.372 ±.001 | 1.375 ^{+.002} / _{+.000} | .070 ±.005 | 8.52 |
| PS1400-24 | 1.24 | 1-1/2 | .07 | .070 ±.005 | .083 ±.002 | 1.240 ±.002 | 1.497 ±.001 | 1.500 ^{+.002} / _{+.000} | .070 ±.005 | 5.26 |
| PS1400-26 | 1.233 | 1-5/8 | .109 | .109 ±.010 | .122 ±.002 | 1.233 ±.002 | 1.622 ±.001 | 1.625 ^{+.002} / _{+.000} | .109 ±.010 | 5.35 |
| PS1400-28 | 1.358 | 1-3/4 | .109 | .109 ±.010 | .122 ±.002 | 1.358 ±.002 | 1.747 ±.001 | 1.750 ^{+.002} / _{+.000} | .109 ±.010 | 5.48 |
| PS1400-30 | 1.483 | 1-7/8 | .109 | .109 ±.010 | .122 ±.002 | 1.483 ±.002 | 1.872 ±.001 | 1.875 ^{+.002} / _{+.000} | .109 ±.010 | 10.66 |
| PS1400-32 | 1.608 | 2 | .115 | .115 ±.010 | .129 ±.002 | 1.608 ±.002 | 1.996 ±.001 | 2.000 ^{+.002} / _{+.000} | .115 ±.010 | 5.69 |
| PS1400-34 | 1.733 | 2-1/8 | .115 | .115 ±.010 | .129 ±.002 | 1.733 ±.002 | 2.121 ±.001 | 2.125 ^{+.002} / _{+.000} | .115 ±.010 | 10.66 |
| PS1400-36 | 1.858 | 2-1/4 | .115 | .115 ±.010 | .129 ±.002 | 1.858 ±.002 | 2.246 ±.001 | 2.250 ^{+.002} / _{+.000} | .115 ±.010 | 5.91 |
| PS1400-38 | 1.983 | 2-3/8 | .115 | .115 ±.010 | .129 ±.002 | 1.983 ±.002 | 2.371 ±.001 | 2.375 ^{+.002} / _{+.000} | .115 ±.010 | 5.97 |



STYLE PS1400 GLASS FILLED PTFE PISTON SEALS

PISTON SEAL ASSEMBLIES

| Part Number | A Nom. ID | B Nom. OD | C Nom. Ht | C WIDTH | D GROOVE WIDTH | H GROOVE DIAMETER | I PISTON DIAMETER | J BORE DIAMETER | CS ₁ RING CROSS SECTION | List Price |
|-------------|--------------|-----------------|-----------------|------------|----------------------|-------------------------|-------------------------|---|--|---------------|
| PS1400-40 | 2.108 | 2-1/2 | .115 | .115 ±.010 | .129 ±.002 | 2.108 ±.002 | 2.496 ±.001 | 2.500 ⁺⁰⁰² / ₊₀₀₀ | .115 ±.010 | 5.98 |
| PS1400-44 | 2.358 | 2-3/4 | .115 | .115 ±.010 | .129 ±.002 | 2.358 ±.002 | 2.746 ±.001 | 2.750 ⁺⁰⁰² / ₊₀₀₀ | .115 ±.010 | 6.04 |
| PS1400-48 | 2.608 | 3 | .115 | .115 ±.010 | .129 ±.002 | 2.608 ±.002 | 2.996 ±.001 | 3.000 ⁺⁰⁰² / ₊₀₀₀ | .115 ±.010 | 6.21 |
| PS1400-50 | 2.733 | 3-1/8 | .115 | .115 ±.010 | .129 ±.002 | 2.733 ±.002 | 3.121 ±.001 | 3.125 ⁺⁰⁰² / ₊₀₀₀ | .115 ±.010 | 22.62 |
| PS1400-52 | 2.858 | 3-1/4 | .115 | .115 ±.010 | .129 ±.002 | 2.858 ±.002 | 3.246 ±.001 | 3.250 ⁺⁰⁰² / ₊₀₀₀ | .115 ±.010 | 6.31 |
| PS1400-54 | 2.983 | 3-3/8 | .115 | .115 ±.010 | .129 ±.002 | 2.983 ±.002 | 3.371 ±.001 | 3.375 ⁺⁰⁰² / ₊₀₀₀ | .115 ±.010 | 11.68 |
| PS1400-56 | 3.108 | 3-1/2 | .115 | .115 ±.010 | .129 ±.002 | 3.108 ±.002 | 3.496 ±.001 | 3.500 ⁺⁰⁰² / ₊₀₀₀ | .115 ±.010 | 6.49 |
| PS1400-58 | 3.233 | 3-5/8 | .115 | .115 ±.010 | .129 ±.002 | 3.233 ±.002 | 3.621 ±.001 | 3.625 ⁺⁰⁰² / ₊₀₀₀ | .115 ±.010 | 12.00 |
| PS1400-60 | 3.358 | 3-3/4 | .115 | .115 ±.010 | .129 ±.002 | 3.358 ±.002 | 3.746 ±.001 | 3.750 ⁺⁰⁰² / ₊₀₀₀ | .115 ±.010 | 7.04 |
| PS1400-64 | 3.608 | 4 | .115 | .115 ±.010 | .129 ±.002 | 3.608 ±.002 | 3.996 ±.001 | 4.000 ⁺⁰⁰² / ₊₀₀₀ | .115 ±.010 | 7.16 |
| PS1400-68 | 3.858 | 4-1/4 | .115 | .115 ±.010 | .129 ±.002 | 3.858 ±.002 | 4.246 ±.001 | 4.250 ⁺⁰⁰² / ₊₀₀₀ | .115 ±.010 | 7.30 |
| PS1400-70.4 | 4.008 | 4.4 | .115 | .115 ±.010 | .129 ±.002 | 4.008 ±.002 | 4.396 ±.001 | 4.400 ⁺⁰⁰² / ₊₀₀₀ | .115 ±.010 | 23.29 |
| PS1400-72 | 4.108 | 4-1/2 | .115 | .115 ±.010 | .129 ±.002 | 4.108 ±.002 | 4.496 ±.001 | 4.500 ⁺⁰⁰² / ₊₀₀₀ | .115 ±.010 | 7.99 |
| PS1400-76 | 4.358 | 4-3/4 | .115 | .115 ±.010 | .129 ±.002 | 4.358 ±.002 | 4.746 ±.001 | 4.750 ⁺⁰⁰² / ₊₀₀₀ | .115 ±.010 | 12.43 |
| PS1400-78 | 4.483 | 4-7/8 | .115 | .115 ±.010 | .129 ±.002 | 4.483 ±.002 | 4.871 ±.001 | 4.875 ⁺⁰⁰² / ₊₀₀₀ | .115 ±.010 | 23.47 |
| PS1400-80 | 4.608 | 5 | .115 | .115 ±.010 | .129 ±.002 | 4.608 ±.002 | 4.996 ±.001 | 5.000 ⁺⁰⁰² / ₊₀₀₀ | .115 ±.010 | 8.92 |
| PS1400-84 | 4.858 | 5-1/4 | .115 | .115 ±.010 | .129 ±.002 | 4.858 ±.002 | 5.246 ±.001 | 5.250 ⁺⁰⁰² / ₊₀₀₀ | .115 ±.010 | 9.55 |
| PS1400-88 | 5.108 | 5-1/2 | .115 | .115 ±.010 | .129 ±.002 | 5.108 ±.002 | 5.496 ±.001 | 5.500 ⁺⁰⁰² / ₊₀₀₀ | .115 ±.010 | 9.82 |
| PS1400-92 | 5.232 | 5-3/4 | .143 | .143 ±.010 | .159 ±.002 | 5.232 ±.002 | 5.746 ±.001 | 5.750 ⁺⁰⁰² / ₊₀₀₀ | .143 ±.010 | 10.44 |
| PS1400-94 | 5.357 | 5-7/8 | .143 | .143 ±.010 | .159 ±.002 | 5.357 ±.002 | 5.871 ±.001 | 5.875 ⁺⁰⁰² / ₊₀₀₀ | .143 ±.010 | 26.71 |
| PS1400-96 | 5.482 | 6 | .143 | .143 ±.010 | .159 ±.002 | 5.482 ±.002 | 5.996 ±.001 | 6.000 ⁺⁰⁰² / ₊₀₀₀ | .143 ±.010 | 10.96 |
| PS1400-98 | 5.607 | 6-1/8 | .143 | .143 ±.010 | .159 ±.002 | 5.607 ±.002 | 6.121 ±.001 | 6.125 ⁺⁰⁰² / ₊₀₀₀ | .143 ±.010 | 23.43 |
| PS1400-100 | 5.732 | 6-1/4 | .143 | .143 ±.010 | .159 ±.002 | 5.732 ±.002 | 6.246 ±.001 | 6.250 ⁺⁰⁰² / ₊₀₀₀ | .143 ±.010 | 11.69 |
| PS1400-104 | 5.982 | 6-1/2 | .143 | .143 ±.010 | .159 ±.002 | 5.982 ±.002 | 6.496 ±.001 | 6.500 ⁺⁰⁰² / ₊₀₀₀ | .143 ±.010 | 13.92 |
| PS1400-112 | 6.482 | 7 | .143 | .143 ±.010 | .159 ±.002 | 6.482 ±.002 | 6.996 ±.001 | 7.000 ⁺⁰⁰² / ₊₀₀₀ | .143 ±.010 | 14.29 |
| PS1400-116 | 6.732 | 7-1/4 | .143 | .143 ±.010 | .159 ±.002 | 6.732 ±.002 | 7.246 ±.001 | 7.250 ⁺⁰⁰² / ₊₀₀₀ | .143 ±.010 | 14.29 |
| PS1400-120 | 6.982 | 7-1/2 | .143 | .143 ±.010 | .159 ±.002 | 6.982 ±.002 | 7.496 ±.001 | 7.500 ⁺⁰⁰² / ₊₀₀₀ | .143 ±.010 | 14.30 |
| PS1400-128 | 7.482 | 8 | .143 | .143 ±.010 | .159 ±.002 | 7.482 ±.002 | 7.996 ±.001 | 8.000 ⁺⁰⁰² / ₊₀₀₀ | .143 ±.010 | 14.53 |
| PS1400-130 | 7.607 | 8-1/8 | .143 | .143 ±.010 | .159 ±.002 | 7.607 ±.002 | 8.121 ±.001 | 8.125 ⁺⁰⁰² / ₊₀₀₀ | .143 ±.010 | 32.06 |
| PS1400-132 | 7.732 | 8-1/4 | .143 | .143 ±.010 | .159 ±.002 | 7.732 ±.002 | 8.246 ±.001 | 8.250 ⁺⁰⁰² / ₊₀₀₀ | .143 ±.010 | 36.25 |

FORMERLY LISTED SEALS ARE AVAILABLE ONLINE AT WWW.HERCULESUS.COM
OR BY CONTACTING YOUR REGIONAL HERCULES SALES TEAM.



STYLE PS1400 GLASS FILLED PTFE PISTON SEALS

| Part Number | A Nom. ID | B Nom. OD | C Nom. Ht | C WIDTH | D GROOVE WIDTH | H GROOVE DIAMETER | I PISTON DIAMETER | J BORE DIAMETER | CS ₁ RING CROSS SECTION | List Price |
|-------------|--------------|-----------------|-----------------|------------|----------------------|-------------------------|-------------------------|--|--|---------------|
| PS1400-136 | 7.982 | 8-1/2 | .143 | .143 ±.010 | .159 ±.002 | 7.982 ±.002 | 8.496 ±.001 | 8.500 ^{+.002} _{+.000} | .143 ±.010 | 41.08 |
| PS1400-144 | 8.482 | 9 | .143 | .143 ±.010 | .159 ±.002 | 8.482 ±.002 | 8.996 ±.001 | 9.000 ^{+.002} _{+.000} | .143 ±.010 | 43.16 |
| PS1400-152 | 8.982 | 9-1/2 | .143 | .143 ±.010 | .159 ±.002 | 8.982 ±.002 | 9.496 ±.001 | 9.500 ^{+.002} _{+.000} | .143 ±.010 | 55.65 |
| PS1400-160 | 9.482 | 10 | .143 | .143 ±.010 | .159 ±.002 | 9.482 ±.002 | 9.996 ±.001 | 10.000 ^{+.002} _{+.000} | .143 ±.010 | 60.96 |
| PS1400-168 | 9.982 | 10-1/2 | .143 | .143 ±.010 | .159 ±.002 | 9.982 ±.002 | 10.496 ±.001 | 10.500 ^{+.002} _{+.000} | .143 ±.010 | 77.90 |
| PS1400-176 | 10.482 | 11 | .143 | .143 ±.010 | .159 ±.002 | 10.482 ±.002 | 10.996 ±.001 | 11.000 ^{+.002} _{+.000} | .143 ±.010 | 84.35 |
| PS1400-184 | 10.982 | 11-1/2 | .143 | .143 ±.010 | .159 ±.002 | 10.982 ±.002 | 11.496 ±.001 | 11.500 ^{+.002} _{+.000} | .143 ±.010 | 86.44 |
| PS1400-192 | 11.482 | 12 | .143 | .143 ±.010 | .159 ±.002 | 11.482 ±.002 | 11.996 ±.001 | 12.000 ^{+.002} _{+.000} | .143 ±.010 | 89.62 |
| PS1400-200 | 11.982 | 12-1/2 | .143 | .143 ±.010 | .159 ±.002 | 11.982 ±.002 | 12.496 ±.001 | 12.500 ^{+.002} _{+.000} | .143 ±.010 | 94.38 |
| PS1400-208 | 12.482 | 13 | .143 | .143 ±.010 | .159 ±.002 | 12.482 ±.002 | 12.996 ±.001 | 13.000 ^{+.002} _{+.000} | .143 ±.010 | 115.33 |
| PS1400-224 | 13.482 | 14 | .143 | .143 ±.010 | .159 ±.002 | 13.482 ±.002 | 13.996 ±.001 | 14.000 ^{+.002} _{+.000} | .143 ±.010 | 167.89 |

INSTALLATION OF PTFE PISTON SEALS

Installing PTFE piston seals is not always an easy task. The use of installation tools is recommended but often not convenient when working with a wide variety of sizes and applications. Finger installations are practical with rings of smaller cross-sections. Using fingers or a rounded plastic stick, knead the ring over the piston into the groove. With rings of larger cross-sections it may be necessary to heat the ring. Warming the ring in water or oil at 130° F or 140° F for about 5 minutes will soften the material for easier installation. Always avoid inconsistent stretching or overstretching of the PTFE seal.

To prevent the PTFE ring from snapping into the wrong groove, cover wear ring grooves with plastic tape.

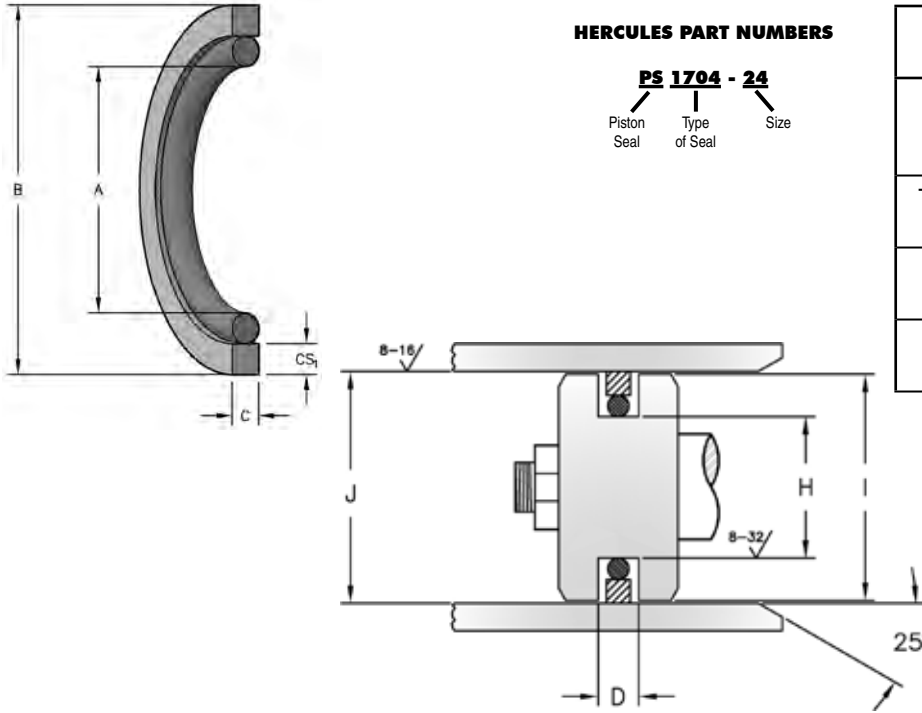
After seal installation, assembly of the cylinder may be difficult if the piston seal is loose on the piston or the cylinder has an inadequate leading edge chamfer. In such cases, compress the piston seal with belting or a suitable hose clamp. If the piston seal must pass threads or any other sharp edges during the cylinder assembly, cover the edges with plastic tape or wrap.

Seal color may vary. Special order sizes are available. Sizes not shown and out of stock items can also be ordered for next day delivery through Seals On Demand, our custom seal program. Please call your regional sales team for assistance.

NEW FOR 2015

STYLE PS1704 POLY-TREL™ PISTON SEALS

Manufactured from 55 Shore D polyester reinforced with <5% glass fiber, style PS1704 offers compact, low friction sealing for light to medium duty hydraulic cylinders. Style PS1704 is easily stretched over the piston without needing to be resized as in the PS1400 seals. Directly interchangeable with style PS1400 and PS1500 piston seals. **NOTE:** Piston diameter "I" dimensions are given for pistons without wear rings.



| SEAL INFORMATION | |
|-------------------|--|
| MATERIAL | POLY-TREL™ THERMOPLASTIC 70A NBR ENERGIZER |
| TEMPERATURE RANGE | -40° TO +230° F |
| PRESSURE RANGE | 0 TO 5,000 PSI |
| SPEED | 3 FT/SEC |

PISTON SEAL ASSEMBLIES

| Part Number | A Nom. ID | B Nom. OD | C Nom. Ht | D GROOVE WIDTH | H GROOVE DIAMETER | I PISTON DIAMETER | J BORE DIAMETER | C HEIGHT | CS ₁ RING CROSS SECTION | List Price |
|-------------|--------------|--------------|--------------|------------------------|-------------------------|----------------------|-------------------------|-------------|---------------------------------------|------------|
| PS1704-24 | 1.241 | 1-1/2 | .07 | .083 +.002 +.000 | 1.241 +.002 +.000 | 1.497 ±.001 | 1.500 +.002 +.000 | .070 ±.005 | .070 ±.005 | \$3.48 |
| PS1704-28 | 1.36 | 1-3/4 | .109 | .122 +.002 +.000 | 1.360 +.002 +.000 | 1.747 ±.001 | 1.750 +.002 +.000 | .109 ±.005 | .109 ±.005 | 3.96 |
| PS1704-32 | 1.606 | 2 | .115 | .130 +.002 +.000 | 1.606 +.002 +.000 | 1.996 ±.001 | 2.000 +.002 +.000 | .115 ±.005 | .115 ±.005 | 4.01 |
| PS1704-36 | 1.856 | 2-1/4 | .115 | .130 +.002 +.000 | 1.856 +.002 +.000 | 2.246 ±.001 | 2.250 +.002 +.000 | .115 ±.005 | .115 ±.005 | 4.17 |
| PS1704-40 | 2.106 | 2-1/2 | .115 | .130 +.002 +.000 | 2.106 +.002 +.000 | 2.496 ±.001 | 2.500 +.002 +.000 | .115 ±.005 | .115 ±.005 | 4.27 |
| PS1704-44 | 2.356 | 2-3/4 | .115 | .130 +.002 +.000 | 2.356 +.002 +.000 | 2.746 ±.001 | 2.750 +.002 +.000 | .115 ±.005 | .115 ±.005 | 5.99 |
| PS1704-48 | 2.606 | 3 | .115 | .130 +.002 +.000 | 2.606 +.002 +.000 | 2.996 ±.001 | 3.000 +.002 +.000 | .115 ±.005 | .115 ±.005 | 6.10 |
| PS1704-52 | 2.856 | 3-1/4 | .115 | .130 +.002 +.000 | 2.856 +.002 +.000 | 3.246 ±.001 | 3.250 +.002 +.000 | .115 ±.005 | .115 ±.005 | 6.14 |
| PS1704-56 | 3.106 | 3-1/2 | .115 | .130 +.002 +.000 | 3.106 +.002 +.000 | 3.496 ±.001 | 3.500 +.002 +.000 | .115 ±.005 | .115 ±.005 | 6.17 |
| PS1704-64 | 3.606 | 4 | .115 | .130 +.002 +.000 | 3.606 +.002 +.000 | 3.996 ±.001 | 4.000 +.002 +.000 | .115 ±.005 | .115 ±.005 | 6.48 |
| PS1704-68 | 3.856 | 4-1/4 | .115 | .130 +.002 +.000 | 3.856 +.002 +.000 | 4.246 ±.001 | 4.250 +.002 +.000 | .115 ±.005 | .115 ±.005 | 6.64 |
| PS1704-72 | 4.106 | 4-1/2 | .115 | .130 +.002 +.000 | 4.106 +.002 +.000 | 4.496 ±.001 | 4.500 +.002 +.000 | .115 ±.005 | .115 ±.005 | 6.72 |
| PS1704-76 | 4.356 | 4-3/4 | .115 | .130 +.002 +.000 | 4.356 +.002 +.000 | 4.746 ±.001 | 4.750 +.002 +.000 | .115 ±.005 | .115 ±.005 | 11.02 |

FORMERLY LISTED SEALS ARE AVAILABLE ONLINE AT WWW.HERCULESUS.COM
OR BY CONTACTING YOUR REGIONAL HERCULES SALES TEAM.



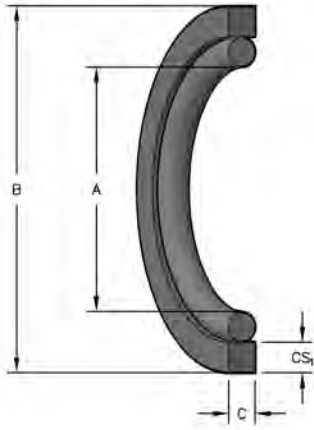
STYLE PS1704 POLY-TREL™ PISTON SEALS

PISTON SEAL ASSEMBLIES

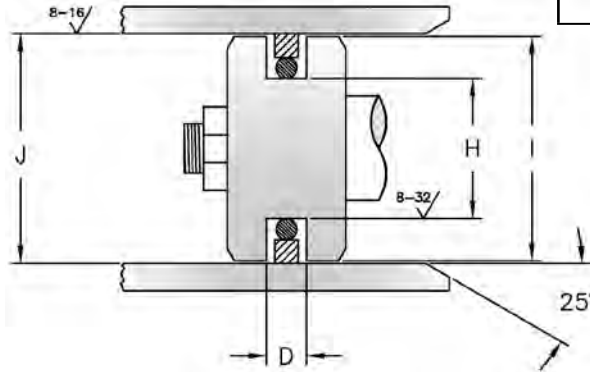
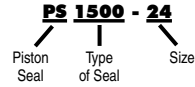
| Part Number | A Nom. ID | B Nom. OD | C Nom. Ht | D GROOVE WIDTH | H GROOVE DIAMETER | I PISTON DIAMETER | J BORE DIAMETER | C HEIGHT | CS ₁ RING CROSS SECTION | List Price |
|-------------|--------------|--------------|--------------|--|---|----------------------|---|-------------|---------------------------------------|---------------|
| PS1704-80 | 4.606 | 5 | .115 | .130 ^{+0.02} / _{+0.00} | 4.606 ^{+0.02} / _{+0.00} | 4.996 ±.001 | 5.000 ^{+0.02} / _{+0.00} | .115 ±.005 | .115 ±.005 | 11.09 |
| PS1704-84 | 4.856 | 5-1/4 | .115 | .130 ^{+0.02} / _{+0.00} | 4.856 ^{+0.02} / _{+0.00} | 5.246 ±.001 | 5.250 ^{+0.02} / _{+0.00} | .115 ±.005 | .115 ±.005 | 11.21 |
| PS1704-88 | 5.106 | 5-1/2 | .115 | .130 ^{+0.02} / _{+0.00} | 5.106 ^{+0.02} / _{+0.00} | 5.496 ±.001 | 5.500 ^{+0.02} / _{+0.00} | .115 ±.005 | .115 ±.005 | 11.47 |
| PS1704-96 | 5.482 | 6 | .143 | .159 ^{+0.02} / _{+0.00} | 5.482 ^{+0.02} / _{+0.00} | 5.996 ±.001 | 6.000 ^{+0.02} / _{+0.00} | .143 ±.005 | .143 ±.005 | 15.70 |
| PS1704-100 | 5.732 | 6-1/4 | .143 | .159 ^{+0.02} / _{+0.00} | 5.732 ±.002 | 6.246 ±.001 | 6.250 ^{+0.02} / _{+0.00} | .143 ±.005 | .143 ±.005 | 15.72 |
| PS1704-112 | 6.482 | 7 | .143 | .159 ^{+0.02} / _{+0.00} | 6.482 ^{+0.02} / _{+0.00} | 6.996 ±.001 | 7.000 ^{+0.02} / _{+0.00} | .143 ±.005 | .143 ±.005 | 15.85 |

STYLE PS1500 POLYURETHANE PISTON SEALS

Totally interchangeable with Style PS1400 PTFE piston seals, Style PS1500 piston seals are molded from tough 60 Shore D durometer polyurethane. During the molding process, a .002" thick band of molybdenum disulfide is molded into the outside diameter of the seal ring for reduced friction. PS1500 piston seals are easily stretched over the piston and recover rapidly with the elimination of the "cold flow" characteristics found in PTFE seals. Piston diameter "I" dimensions are given for pistons without wear rings.



HERCULES PART NUMBERS



| SEAL INFORMATION | |
|-------------------|---------------------------------------|
| MATERIAL | POLYURETHANE SEAL RUBBER ENERGIZER |
| TEMPERATURE RANGE | -40° TO +200° F |
| PRESSURE RANGE | 0 TO 5,000 PSI |
| SPEED | 3 FT/SEC |

PISTON SEAL ASSEMBLIES

| Part Number | A Nom. ID | B Nom. OD | C Nom. Ht | D GROOVE WIDTH | H GROOVE DIAMETER | I PISTON DIAMETER | J BORE DIAMETER | C HEIGHT | CS ₁ RING CROSS SECTION | List Price |
|-------------|--------------|--------------|--------------|--|---|----------------------|---|-------------|---------------------------------------|------------|
| PS1500-24 | 1.241 | 1-1/2 | .07 | .083 ^{+0.002} / _{+0.000} | 1.241 ^{+0.002} / _{+0.000} | 1.497 ±0.001 | 1.500 ^{+0.002} / _{+0.000} | .070 ±0.005 | .070 ±0.005 | \$4.45 |
| PS1500-28 | 1.36 | 1-3/4 | .109 | .122 ^{+0.002} / _{+0.000} | 1.360 ^{+0.002} / _{+0.000} | 1.747 ±0.001 | 1.750 ^{+0.002} / _{+0.000} | .109 ±0.005 | .109 ±0.005 | 4.63 |
| PS1500-32 | 1.606 | 2 | .115 | .130 ^{+0.002} / _{+0.000} | 1.606 ^{+0.002} / _{+0.000} | 1.996 ±0.001 | 2.000 ^{+0.002} / _{+0.000} | .115 ±0.005 | .115 ±0.005 | 4.81 |
| PS1500-36 | 1.856 | 2-1/4 | .115 | .130 ^{+0.002} / _{+0.000} | 1.856 ^{+0.002} / _{+0.000} | 2.246 ±0.001 | 2.250 ^{+0.002} / _{+0.000} | .115 ±0.005 | .115 ±0.005 | 4.95 |
| PS1500-38 | 1.981 | 2-3/8 | .115 | .130 ^{+0.002} / _{+0.000} | 1.981 ^{+0.002} / _{+0.000} | 2.371 ±0.001 | 2.375 ^{+0.002} / _{+0.000} | .115 ±0.005 | .115 ±0.005 | 4.98 |
| PS1500-40 | 2.106 | 2-1/2 | .115 | .130 ^{+0.002} / _{+0.000} | 2.106 ^{+0.002} / _{+0.000} | 2.496 ±0.001 | 2.500 ^{+0.002} / _{+0.000} | .115 ±0.005 | .115 ±0.005 | 5.00 |
| PS1500-44 | 2.356 | 2-3/4 | .115 | .130 ^{+0.002} / _{+0.000} | 2.356 ^{+0.002} / _{+0.000} | 2.746 ±0.001 | 2.750 ^{+0.002} / _{+0.000} | .115 ±0.005 | .115 ±0.005 | 5.08 |
| PS1500-48 | 2.606 | 3 | .115 | .130 ^{+0.002} / _{+0.000} | 2.606 ^{+0.002} / _{+0.000} | 2.996 ±0.001 | 3.000 ^{+0.002} / _{+0.000} | .115 ±0.005 | .115 ±0.005 | 5.23 |
| PS1500-52 | 2.856 | 3-1/4 | .115 | .130 ^{+0.002} / _{+0.000} | 2.856 ^{+0.002} / _{+0.000} | 3.246 ±0.001 | 3.250 ^{+0.002} / _{+0.000} | .115 ±0.005 | .115 ±0.005 | 5.34 |
| PS1500-54 | 2.981 | 3-3/8 | .115 | .130 ^{+0.002} / _{+0.000} | 2.981 ^{+0.002} / _{+0.000} | 3.371 ±0.001 | 3.375 ^{+0.002} / _{+0.000} | .115 ±0.005 | .115 ±0.005 | 7.83 |
| PS1500-56 | 3.106 | 3-1/2 | .115 | .130 ^{+0.002} / _{+0.000} | 3.106 ^{+0.002} / _{+0.000} | 3.496 ±0.001 | 3.500 ^{+0.002} / _{+0.000} | .115 ±0.005 | .115 ±0.005 | 5.50 |
| PS1500-60 | 3.356 | 3-3/4 | .115 | .130 ^{+0.002} / _{+0.000} | 3.356 ^{+0.002} / _{+0.000} | 3.746 ±0.001 | 3.750 ^{+0.002} / _{+0.000} | .115 ±0.005 | .115 ±0.005 | 5.62 |
| PS1500-64 | 3.606 | 4 | .115 | .130 ^{+0.002} / _{+0.000} | 3.606 ^{+0.002} / _{+0.000} | 3.996 ±0.001 | 4.000 ^{+0.002} / _{+0.000} | .115 ±0.005 | .115 ±0.005 | 6.00 |

FORMERLY LISTED SEALS ARE AVAILABLE ONLINE AT WWW.HERCULESUS.COM
OR BY CONTACTING YOUR REGIONAL HERCULES SALES TEAM.



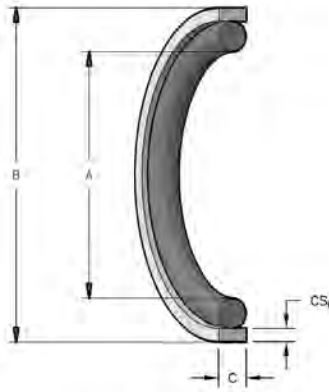
STYLE PS1500 POLYURETHANE PISTON SEALS

PISTON SEAL ASSEMBLIES

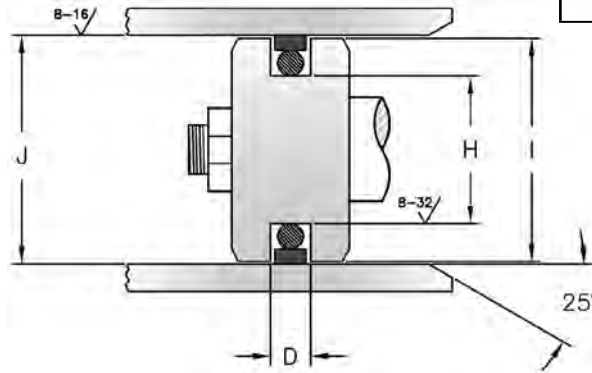
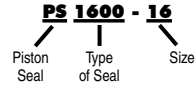
| Part Number | A Nom. ID | B Nom. OD | C Nom. Ht | D GROOVE WIDTH | H GROOVE DIAMETER | I PISTON DIAMETER | J BORE DIAMETER | C HEIGHT | CS ₁ RING CROSS SECTION | List Price |
|-------------|--------------|--------------|--------------|---|--|----------------------|--|-------------|---------------------------------------|------------|
| PS1500-68 | 3.856 | 4-1/4 | .115 | .130 ^{+0.02} / _{+0.000} | 3.856 ^{+0.02} / _{+0.000} | 4.246 ±.001 | 4.250 ^{+0.02} / _{+0.000} | .115 ±.005 | .115 ±.005 | 6.17 |
| PS1500-72 | 4.106 | 4-1/2 | .115 | .130 ^{+0.02} / _{+0.000} | 4.106 ^{+0.02} / _{+0.000} | 4.496 ±.001 | 4.500 ^{+0.02} / _{+0.000} | .115 ±.005 | .115 ±.005 | 6.80 |
| PS1500-76 | 4.356 | 4-3/4 | .115 | .130 ^{+0.02} / _{+0.000} | 4.356 ^{+0.02} / _{+0.000} | 4.746 ±.001 | 4.750 ^{+0.02} / _{+0.000} | .115 ±.005 | .115 ±.005 | 7.02 |
| PS1500-80 | 4.606 | 5 | .115 | .130 ^{+0.02} / _{+0.000} | 4.606 ^{+0.02} / _{+0.000} | 4.996 ±.001 | 5.000 ^{+0.02} / _{+0.000} | .115 ±.005 | .115 ±.005 | 7.52 |
| PS1500-84 | 4.856 | 5-1/4 | .115 | .130 ^{+0.02} / _{+0.000} | 4.856 ^{+0.02} / _{+0.000} | 5.246 ±.001 | 5.250 ^{+0.02} / _{+0.000} | .115 ±.005 | .115 ±.005 | 7.98 |
| PS1500-88 | 5.106 | 5-1/2 | .115 | .130 ^{+0.02} / _{+0.000} | 5.106 ^{+0.02} / _{+0.000} | 5.496 ±.001 | 5.500 ^{+0.02} / _{+0.000} | .115 ±.005 | .115 ±.005 | 8.40 |
| PS1500-92 | 5.232 | 5-3/4 | .143 | .159 ^{+0.02} / _{+0.000} | 5.232 ^{+0.02} / _{+0.000} | 5.746 ±.001 | 5.750 ^{+0.02} / _{+0.000} | .143 ±.005 | .143 ±.005 | 9.30 |
| PS1500-96 | 5.482 | 6 | .143 | .159 ^{+0.02} / _{+0.000} | 5.482 ^{+0.02} / _{+0.000} | 5.996 ±.001 | 6.000 ^{+0.02} / _{+0.000} | .143 ±.005 | .143 ±.005 | 11.93 |
| PS1500-104 | 5.982 | 6-1/2 | .143 | .159 ^{+0.02} / _{+0.000} | 5.982 ^{+0.02} / _{+0.000} | 6.496 ±.001 | 6.500 ^{+0.02} / _{+0.000} | .143 ±.005 | .143 ±.005 | 12.53 |
| PS1500-112 | 6.482 | 7 | .143 | .159 ^{+0.02} / _{+0.000} | 6.482 ^{+0.02} / _{+0.000} | 6.996 ±.001 | 7.000 ^{+0.02} / _{+0.000} | .143 ±.005 | .143 ±.005 | 13.24 |
| PS1500-136 | 7.982 | 8-1/2 | .143 | .159 ^{+0.02} / _{+0.000} | 7.982 ^{+0.02} / _{+0.000} | 8.494 ±.001 | 8.500 ^{+0.02} / _{+0.000} | .143 ±.005 | .143 ±.005 | 15.03 |

STYLE PS1600 GLASS FILLED PTFE PISTON SEALS

NOTE: Piston diameter "I" dimensions are given for pistons without wear rings.



HERCULES PART NUMBERS



| SEAL INFORMATION | |
|-------------------|--|
| MATERIAL | 15% GLASS FILLED PTFE SEAL RUBBER ENERGIZER |
| TEMPERATURE RANGE | -40° TO +220° F |
| PRESSURE RANGE | 0 TO 5,000 PSI |
| SPEED | 12 FT/SEC |

PISTON SEAL ASSEMBLIES

| Part Number | A Nom. ID | B Nom. OD | C Nom. Ht | D GROOVE WIDTH | H GROOVE DIAMETER | I PISTON DIAMETER | J BORE DIAMETER | C HEIGHT | CS ₁ RING CROSS SECTION | List Price |
|-------------|--------------|--------------|--------------|----------------------|----------------------|---|---|-------------|---------------------------------------|------------|
| PS1600-16 | .787 | 1 | .088 | .094 ±.003 | .787 ±.002 | .999 ^{+0.00} / _{-.003} | 1.000 ^{+0.02} / _{+0.00} | .088 ±.005 | .055 ±.005 | \$6.41 |
| PS1600-18 | .912 | 1-1/8 | .088 | .094 ±.003 | .912 ±.002 | 1.124 ^{+0.00} / _{-.003} | 1.125 ^{+0.02} / _{+0.00} | .088 ±.005 | .055 ±.005 | 6.55 |
| PS1600-20 | 1.037 | 1-1/4 | .088 | .094 ±.003 | 1.037 ±.002 | 1.249 ^{+0.00} / _{-.003} | 1.250 ^{+0.02} / _{+0.00} | .088 ±.005 | .055 ±.005 | 6.72 |
| PS1600-22 | 1.162 | 1-3/8 | .088 | .094 ±.003 | 1.162 ±.002 | 1.374 ^{+0.00} / _{-.003} | 1.375 ^{+0.02} / _{+0.00} | .088 ±.005 | .055 ±.005 | 6.84 |
| PS1600-24 | 1.287 | 1-1/2 | .088 | .094 ±.003 | 1.287 ±.002 | 1.499 ^{+0.00} / _{-.003} | 1.500 ^{+0.02} / _{+0.00} | .088 ±.005 | .055 ±.005 | 7.04 |
| PS1600-26 | 1.412 | 1-5/8 | .088 | .094 ±.003 | 1.412 ±.002 | 1.624 ^{+0.00} / _{-.003} | 1.625 ^{+0.02} / _{+0.00} | .088 ±.005 | .055 ±.005 | 7.27 |
| PS1600-28 | 1.537 | 1-3/4 | .088 | .094 ±.003 | 1.537 ±.002 | 1.749 ^{+0.00} / _{-.003} | 1.750 ^{+0.02} / _{+0.00} | .088 ±.005 | .055 ±.005 | 7.94 |
| PS1600-30 | 1.598 | 1-7/8 | .12 | .126 ±.003 | 1.598 ±.002 | 1.874 ^{+0.00} / _{-.003} | 1.875 ^{+0.02} / _{+0.00} | .120 ±.005 | .060 ±.005 | 8.19 |
| PS1600-32 | 1.723 | 2 | .12 | .126 ±.003 | 1.723 ±.002 | 1.999 ^{+0.00} / _{-.003} | 2.000 ^{+0.02} / _{+0.00} | .120 ±.005 | .060 ±.005 | 8.86 |
| PS1600-36 | 1.973 | 2-1/4 | .12 | .126 ±.003 | 1.973 ±.002 | 2.249 ^{+0.00} / _{-.003} | 2.250 ^{+0.02} / _{+0.00} | .120 ±.005 | .060 ±.005 | 9.42 |
| PS1600-38 | 2.098 | 2-3/8 | .12 | .126 ±.003 | 2.098 ±.002 | 2.374 ^{+0.00} / _{-.003} | 2.375 ^{+0.02} / _{+0.00} | .120 ±.005 | .060 ±.005 | 9.86 |
| PS1600-40 | 2.223 | 2-1/2 | .12 | .126 ±.003 | 2.223 ±.002 | 2.500 ^{+0.00} / _{-.003} | 2.500 ^{+0.02} / _{+0.00} | .120 ±.005 | .060 ±.005 | 9.86 |
| PS1600-44 | 2.353 | 2-3/4 | .15 | .157 ±.003 | 2.353 ±.002 | 2.750 ^{+0.00} / _{-.004} | 2.750 ^{+0.02} / _{+0.00} | .150 ±.005 | .090 ±.005 | 11.77 |
| PS1600-48 | 2.603 | 3 | .15 | .157 ±.003 | 2.603 ±.002 | 3.000 ^{+0.00} / _{-.004} | 3.000 ^{+0.02} / _{+0.00} | .150 ±.005 | .090 ±.005 | 15.17 |
| PS1600-52 | 2.853 | 3-1/4 | .15 | .157 ±.003 | 2.853 ±.002 | 3.250 ^{+0.00} / _{-.004} | 3.250 ^{+0.02} / _{+0.00} | .150 ±.005 | .090 ±.005 | 15.99 |

FORMERLY LISTED SEALS ARE AVAILABLE ONLINE AT WWW.HERCULESUS.COM
OR BY CONTACTING YOUR REGIONAL HERCULES SALES TEAM.



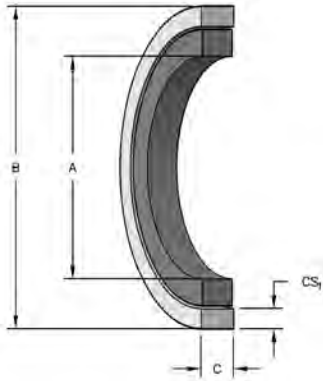
STYLE PS1600 GLASS FILLED PTFE PISTON SEALS

PISTON SEAL ASSEMBLIES

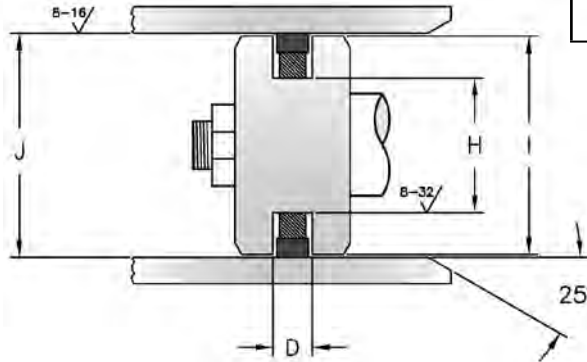
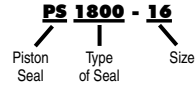
| Part Number | A Nom. ID | B Nom. OD | C Nom. Ht | D GROOVE WIDTH | H GROOVE DIAMETER | I PISTON DIAMETER | J BORE DIAMETER | C HEIGHT | CS ₁ RING CROSS SECTION | List Price |
|-------------|--------------|--------------|--------------|----------------------|----------------------|---|---|-------------|---------------------------------------|---------------|
| PS1600-56 | 3.103 | 3-1/2 | .15 | .157 ±.003 | 3.103 ±.002 | 3.500 ^{+0.000} _{-0.004} | 3.500 ^{+0.002} _{+0.000} | .150 ±.005 | .090 ±.005 | 16.47 |
| PS1600-60 | 3.353 | 3-3/4 | .15 | .157 ±.003 | 3.353 ±.002 | 3.749 ^{+0.000} _{-0.004} | 3.750 ^{+0.002} _{+0.000} | .150 ±.005 | .090 ±.005 | 16.56 |
| PS1600-64 | 3.603 | 4 | .15 | .157 ±.003 | 3.603 ±.002 | 4.000 ^{+0.000} _{-0.004} | 4.000 ^{+0.002} _{+0.000} | .150 ±.005 | .090 ±.005 | 16.92 |
| PS1600-68 | 3.853 | 4-1/4 | .15 | .157 ±.003 | 3.853 ±.002 | 4.250 ^{+0.000} _{-0.004} | 4.250 ^{+0.002} _{+0.000} | .150 ±.005 | .090 ±.005 | 16.88 |
| PS1600-72 | 4.103 | 4-1/2 | .15 | .157 ±.003 | 4.103 ±.002 | 4.500 ^{+0.000} _{-0.004} | 4.500 ^{+0.002} _{+0.000} | .150 ±.005 | .090 ±.005 | 17.09 |
| PS1600-76 | 4.353 | 4-3/4 | .15 | .157 ±.003 | 4.353 ±.002 | 4.750 ^{+0.000} _{-0.004} | 4.750 ^{+0.002} _{+0.000} | .150 ±.005 | .090 ±.005 | 20.83 |
| PS1600-80 | 4.603 | 5 | .15 | .157 ±.003 | 4.603 ±.002 | 5.000 ^{+0.000} _{-0.004} | 5.000 ^{+0.002} _{+0.000} | .150 ±.005 | .090 ±.005 | 21.19 |
| PS1600-84 | 4.853 | 5-1/4 | .15 | .157 ±.003 | 4.853 ±.002 | 5.250 ^{+0.000} _{-0.004} | 5.250 ^{+0.002} _{+0.000} | .150 ±.005 | .090 ±.005 | 22.64 |
| PS1600-88 | 5.103 | 5-1/2 | .15 | .157 ±.003 | 5.103 ±.002 | 5.500 ^{+0.000} _{-0.004} | 5.500 ^{+0.002} _{+0.000} | .150 ±.005 | .090 ±.005 | 24.01 |
| PS1600-92 | 5.353 | 5-3/4 | .15 | .157 ±.003 | 5.353 ±.002 | 5.750 ^{+0.000} _{-0.004} | 5.750 ^{+0.002} _{+0.000} | .150 ±.005 | .090 ±.005 | 29.38 |
| PS1600-96 | 5.305 | 6 | .287 | .293 ±.003 | 5.305 ±.002 | 6.000 ^{+0.000} _{-0.005} | 6.000 ^{+0.002} _{+0.000} | .287 ±.005 | .120 ±.005 | 33.34 |
| PS1600-112 | 6.305 | 7 | .287 | .293 ±.003 | 6.305 ±.002 | 7.000 ^{+0.000} _{-0.005} | 7.000 ^{+0.002} _{+0.000} | .287 ±.005 | .120 ±.005 | 50.56 |

STYLE PS1800 GLASS FILLED PTFE PISTON SEALS

The PS1800 provides low friction, high strength piston sealing. The PS1800 also provides double-acting piston sealing in a compact design that meets the requirements of ANSI/B93-32-1973. **NOTE:** Piston diameter "I" dimensions are given for pistons without wear rings.



HERCULES PART NUMBERS



| SEAL INFORMATION | |
|-------------------|--|
| MATERIAL | 15% GLASS FILLED PTFE SEAL RUBBER ENERGIZER |
| TEMPERATURE RANGE | -40° TO +220° F |
| PRESSURE RANGE | 0 TO 5,000 PSI |
| SPEED | 12 FT/SEC |

PISTON SEAL ASSEMBLIES

| Part Number | A Nom. ID | B Nom. OD | C Nom. Ht | D GROOVE WIDTH | H GROOVE DIAMETER | I PISTON DIAMETER | J BORE DIAMETER | C HEIGHT | CS ₁ RING CROSS SECTION | List Price |
|-------------|-----------|-----------|-----------|----------------|-------------------|--|---|---|---|------------|
| PS1800-16 | 11/16 | 1 | .121 | .129 ±.002 | .690 ±.002 | .999 ^{+0.000} / _{-.005} | 1.000 ^{+0.002} / _{+0.000} | .121 ^{+0.000} / _{-.005} | .073 ^{+0.000} / _{-.006} | \$6.33 |
| PS1800-20 | 15/16 | 1-1/4 | .121 | .129 ±.002 | .940 ±.002 | 1.249 ^{+0.000} / _{-.005} | 1.250 ^{+0.002} / _{+0.000} | .121 ^{+0.000} / _{-.005} | .073 ^{+0.000} / _{-.006} | 6.43 |
| PS1800-24 | 1-3/16 | 1-1/2 | .121 | .129 ±.002 | 1.190 ±.002 | 1.499 ^{+0.000} / _{-.005} | 1.500 ^{+0.002} / _{+0.000} | .121 ^{+0.000} / _{-.005} | .073 ^{+0.000} / _{-.006} | 6.65 |
| PS1800-28 | 1-7/16 | 1-3/4 | .121 | .129 ±.002 | 1.440 ±.002 | 1.749 ^{+0.000} / _{-.005} | 1.750 ^{+0.002} / _{+0.000} | .121 ^{+0.000} / _{-.005} | .073 ^{+0.000} / _{-.006} | 7.32 |
| PS1800-32 | 1-11/16 | 2 | .121 | .129 ±.002 | 1.690 ±.002 | 1.999 ^{+0.000} / _{-.005} | 2.000 ^{+0.002} / _{+0.000} | .121 ^{+0.000} / _{-.005} | .073 ^{+0.000} / _{-.006} | 8.89 |
| PS1800-36 | 1-15/16 | 2-1/4 | .121 | .129 ±.002 | 1.940 ±.002 | 2.249 ^{+0.000} / _{-.005} | 2.250 ^{+0.002} / _{+0.000} | .121 ^{+0.000} / _{-.005} | .073 ^{+0.000} / _{-.006} | 9.92 |
| PS1800-40 | 2-3/16 | 2-1/2 | .121 | .129 ±.002 | 2.190 ±.002 | 2.499 ^{+0.000} / _{-.005} | 2.500 ^{+0.002} / _{+0.000} | .121 ^{+0.000} / _{-.005} | .073 ^{+0.000} / _{-.006} | 10.00 |
| PS1800-44A | 2-3/16 | 2-3/4 | .274 | .284 ±.002 | 2.190 ±.002 | 2.749 ^{+0.000} / _{-.005} | 2.750 ^{+0.002} / _{+0.000} | .274 ^{+0.000} / _{-.005} | .093 ^{+0.000} / _{-.006} | 12.58 |
| PS1800-44 | 2-7/16 | 2-3/4 | .121 | .129 ±.002 | 2.440 ±.002 | 2.749 ^{+0.000} / _{-.005} | 2.750 ^{+0.002} / _{+0.000} | .121 ^{+0.000} / _{-.005} | .073 ^{+0.000} / _{-.006} | 12.04 |
| PS1800-48 | 2-7/16 | 3 | .274 | .284 ±.002 | 2.440 ±.002 | 2.999 ^{+0.000} / _{-.006} | 3.000 ^{+0.002} / _{+0.000} | .274 ^{+0.000} / _{-.005} | .093 ^{+0.000} / _{-.006} | 12.91 |
| PS1800-52 | 2-11/16 | 3-1/4 | .274 | .284 ±.002 | 2.690 ±.002 | 3.249 ^{+0.000} / _{-.006} | 3.250 ^{+0.002} / _{+0.000} | .274 ^{+0.000} / _{-.005} | .093 ^{+0.000} / _{-.006} | 15.32 |
| PS1800-56 | 2-15/16 | 3-1/2 | .274 | .284 ±.002 | 2.940 ±.002 | 3.499 ^{+0.000} / _{-.006} | 3.500 ^{+0.002} / _{+0.000} | .274 ^{+0.000} / _{-.005} | .093 ^{+0.000} / _{-.006} | 16.89 |
| PS1800-60 | 3-3/16 | 3-3/4 | .274 | .284 ±.002 | 3.190 ±.002 | 3.749 ^{+0.000} / _{-.006} | 3.750 ^{+0.002} / _{+0.000} | .274 ^{+0.000} / _{-.005} | .093 ^{+0.000} / _{-.006} | 19.19 |
| PS1800-64 | 3-7/16 | 4 | .274 | .284 ±.002 | 3.440 ±.002 | 3.999 ^{+0.000} / _{-.006} | 4.000 ^{+0.002} / _{+0.000} | .274 ^{+0.000} / _{-.005} | .093 ^{+0.000} / _{-.006} | 21.33 |
| PS1800-68 | 3-11/16 | 4-1/4 | .274 | .284 ±.002 | 3.690 ±.002 | 4.249 ^{+0.000} / _{-.006} | 4.250 ^{+0.002} / _{+0.000} | .274 ^{+0.000} / _{-.005} | .093 ^{+0.000} / _{-.006} | 24.63 |

FORMERLY LISTED SEALS ARE AVAILABLE ONLINE AT WWW.HERCULESUS.COM
OR BY CONTACTING YOUR REGIONAL HERCULES SALES TEAM.



STYLE PS1800 GLASS FILLED PTFE PISTON SEALS

PISTON SEAL ASSEMBLIES

| Part Number | A Nom. ID | B Nom. OD | C Nom. Ht | D GROOVE WIDTH | H GROOVE DIAMETER | I PISTON DIAMETER | J BORE DIAMETER | C HEIGHT | CS ₁ RING CROSS SECTION | List Price |
|--------------|--------------|-----------------|-----------------|----------------------|-------------------------|-------------------------|-----------------------|---------------------|--|---------------|
| PS1800-72 | 3-15/16 | 4-1/2 | .274 | .284 ±.002 | 3.940 ±.002 | 4.499 +.000 -.006 | 4.500 +.002 +.000 | .274 +.000 -.005 | .093 +.000 -.006 | 25.85 |
| PS1800-74 | 4-5/64 | 4-5/8 | .274 | .284 ±.002 | 4.078 ±.002 | 4.624 +.000 -.007 | 4.625 +.002 +.000 | .274 +.000 -.005 | .093 +.000 -.006 | 36.78 |
| PS1800-76 | 4-3/16 | 4-3/4 | .274 | .284 ±.002 | 4.190 ±.002 | 4.749 +.000 -.006 | 4.750 +.002 +.000 | .274 +.000 -.005 | .093 +.000 -.006 | 26.65 |
| PS1800-80 | 4-7/16 | 5 | .274 | .284 ±.002 | 4.440 ±.002 | 4.999 +.000 -.006 | 5.000 +.002 +.000 | .274 +.000 -.005 | .093 +.000 -.006 | 27.91 |
| PS1800-84 | 4-1/2 | 5-1/4 | .367 | .379 ±.002 | 4.488 ±.002 | 5.249 +.000 -.007 | 5.250 +.002 +.000 | .367 +.000 -.005 | .147 +.000 -.010 | 32.88 |
| PS1800-88 | 4-3/4 | 5-1/2 | .367 | .379 ±.002 | 4.738 ±.002 | 5.499 +.000 -.007 | 5.500 +.002 +.000 | .367 +.000 -.005 | .147 +.000 -.010 | 36.77 |
| PS1800-90 | 4-7/8 | 5-5/8 | .367 | .379 ±.002 | 4.863 ±.002 | 5.624 +.000 -.007 | 5.625 +.002 +.000 | .367 +.000 -.005 | .147 +.000 -.010 | 45.63 |
| PS1800-92 | 5 | 5-3/4 | .367 | .379 ±.002 | 4.988 ±.002 | 5.749 +.000 -.007 | 5.750 +.002 +.000 | .367 +.000 -.005 | .147 +.000 -.010 | 39.71 |
| PS1800-96 | 5-1/4 | 6 | .367 | .379 ±.002 | 5.238 ±.002 | 5.999 +.000 -.007 | 6.000 +.002 +.000 | .367 +.000 -.005 | .147 +.000 -.010 | 42.63 |
| PS1800-100 | 5-1/2 | 6-1/4 | .367 | .379 ±.002 | 5.488 ±.002 | 6.249 +.000 -.007 | 6.250 +.002 +.000 | .367 +.000 -.005 | .147 +.000 -.010 | 43.05 |
| PS1800-104 | 5-3/4 | 6-1/2 | .367 | .379 ±.002 | 5.738 ±.002 | 6.499 +.000 -.007 | 6.500 +.002 +.000 | .367 +.000 -.005 | .147 +.000 -.010 | 43.05 |
| PS1800-112 | 6-1/4 | 7 | .367 | .379 ±.002 | 6.238 ±.002 | 6.999 +.000 -.007 | 7.000 +.002 +.000 | .367 +.000 -.005 | .147 +.000 -.010 | 43.82 |
| PS1800-116 | 6-1/2 | 7-1/4 | .367 | .379 ±.002 | 6.488 ±.002 | 7.249 +.000 -.007 | 7.250 +.002 +.000 | .367 +.000 -.005 | .147 +.000 -.010 | 47.60 |
| PS1800-120 | 6-3/4 | 7-1/2 | .367 | .379 ±.002 | 6.738 ±.002 | 7.499 +.000 -.007 | 7.500 +.002 +.000 | .367 +.000 -.005 | .147 +.000 -.010 | 43.94 |
| PS1800-128 | 7-1/4 | 8 | .367 | .379 ±.002 | 7.238 ±.002 | 7.999 +.000 -.007 | 8.000 +.002 +.000 | .367 +.000 -.005 | .147 +.000 -.010 | 48.96 |
| PS1800-132 | 7-1/2 | 8-1/4 | .367 | .379 ±.002 | 7.488 ±.002 | 8.249 +.000 -.007 | 8.250 +.002 +.000 | .367 +.000 -.005 | .147 +.000 -.010 | 52.12 |
| PS1800-136 | 7-3/4 | 8-1/2 | .367 | .379 ±.002 | 7.738 ±.002 | 8.499 +.000 -.007 | 8.500 +.002 +.000 | .367 +.000 -.005 | .147 +.000 -.010 | 55.38 |
| PS1800-144 | 8-1/8 | 9 | .367 | .379 ±.002 | 8.122 ±.002 | 8.999 +.000 -.008 | 9.000 +.002 +.000 | .367 +.000 -.005 | .210 +.000 -.015 | 65.50 |
| PS1800-152 | 8-5/8 | 9-1/2 | .367 | .379 ±.002 | 8.622 ±.002 | 9.499 +.000 -.008 | 9.500 +.002 +.000 | .367 +.000 -.005 | .210 +.000 -.015 | 74.55 |
| PS1800-160 | 9-1/8 | 10 | .367 | .379 ±.002 | 9.122 ±.002 | 9.999 +.000 -.008 | 10.000 +.002 +.000 | .367 +.000 -.005 | .210 +.000 -.015 | 72.90 |
| PS1800-168 | 9-5/8 | 10-1/2 | .367 | .379 ±.002 | 9.622 ±.002 | 10.499 +.000 -.008 | 10.500 +.002 +.000 | .367 +.000 -.005 | .210 +.000 -.015 | 155.51 |
| PS1800-176 | 10-1/8 | 11 | .367 | .379 ±.002 | 10.122 ±.002 | 10.999 +.000 -.008 | 11.000 +.002 +.000 | .367 +.000 -.005 | .210 +.000 -.015 | 166.15 |
| PS1800-192 | 11-1/8 | 12 | .367 | .379 ±.002 | 11.122 ±.002 | 11.999 +.000 -.008 | 12.000 +.002 +.000 | .367 +.000 -.005 | .210 +.000 -.015 | 172.32 |
| * PS1800-208 | 12-1/8 | 13 | .367 | .379 ±.002 | 12.122 ±.002 | 12.999 +.000 -.008 | 13.000 +.002 +.000 | .367 +.000 -.005 | .210 +.000 -.015 | 155.54 |
| * PS1800-224 | 13-1/8 | 14 | .367 | .379 ±.002 | 13.122 ±.002 | 13.999 +.000 -.008 | 14.000 +.002 +.000 | .367 +.000 -.005 | .210 +.000 -.015 | 186.92 |

*Note - PS1800-208 and PS1800-224 use round energizer.

INSTALLATION OF PTFE PISTON SEALS

Installing PTFE piston seals is not always an easy task. The use of installation tools is recommended but often not convenient when working with a wide variety of sizes and applications. Finger installations are practical with rings of smaller cross-sections. Using fingers or a rounded plastic stick, knead the ring over the piston into the groove. With rings of larger cross-sections it may be necessary to heat the ring. Warming the ring in water or oil at 130° F or 140° F for about 5 minutes will soften the material for easier installation. Always avoid inconsistent stretching or overstretching of the PTFE seal. To prevent the PTFE ring from snapping into the wrong groove, cover wear ring grooves with plastic tape. After seal installation, assembly of the cylinder may be difficult if the piston seal is loose on the piston or the cylinder has an inadequate leading edge chamfer. In such cases, compress the piston seal with belting or a suitable hose clamp. If the piston seal must pass threads or any other sharp edges during the cylinder assembly, cover the edges with plastic tape or wrap.

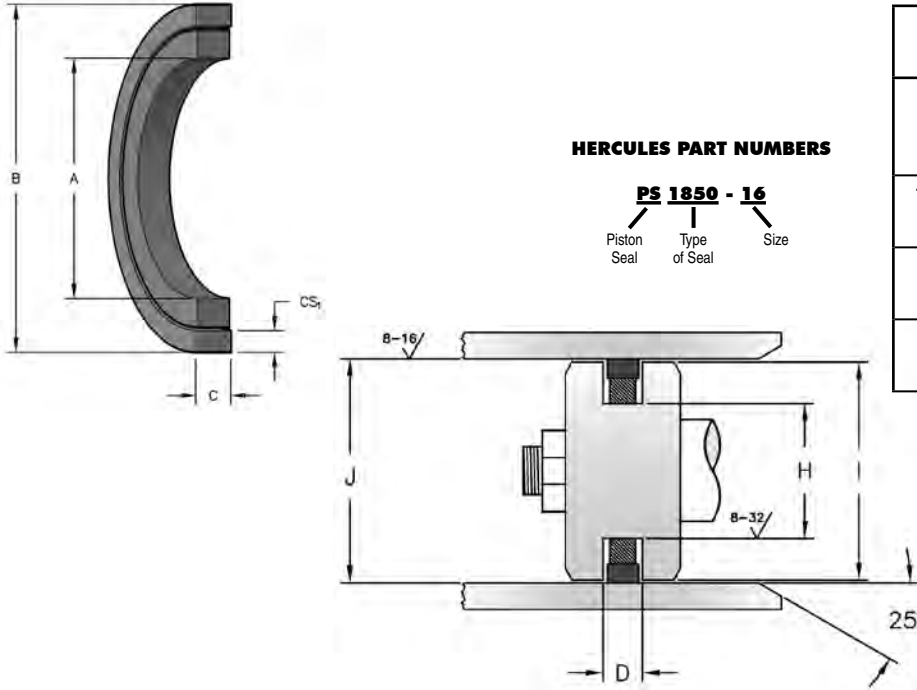
NORTH AMERICA
PHONE 1-800-777-5617
FAX 1-800-759-6391

SALES OFFICE HOURS
8 A.M. TO 7:30 P.M. EASTERN TIME
www.HerculesUS.com

WORLDWIDE
PHONE 1-727-796-1300
FAX 1-727-797-8849

STYLE PS1850 BRONZE FILLED PISTON SEALS

The PS1850 piston seal can be used interchangeably with the PS1800 style piston seal. This seal provides improved heat resistance for demanding applications. **NOTE:** Piston diameter "I" dimensions are given for pistons without wear rings.



| SEAL INFORMATION | |
|-------------------|---|
| MATERIAL | BRONZE FILLED PTFE SEALS RUBBER ENERGIZER |
| TEMPERATURE RANGE | -40° TO +220° F |
| PRESSURE RANGE | 0 TO 5,000 PSI |
| SPEED | 12 FT/SEC |

PISTON SEAL ASSEMBLIES

| Part Number | A Nom. ID | B Nom. OD | C Nom. Ht | D GROOVE WIDTH | H GROOVE DIAMETER | I PISTON DIAMETER | J BORE DIAMETER | C HEIGHT | CS ₁ RING CROSS SECTION | List Price |
|-------------|--------------|--------------|--------------|----------------------|-------------------------|--|---|---|---|---------------|
| PS1850-16 | 11/16 | 1 | .121 | .129 ±.002 | .690 ±.002 | .999 ^{+0.00} / _{-.005} | 1.000 ^{+0.002} / _{+0.000} | .121 ^{+0.000} / _{-.005} | .073 ^{+0.000} / _{-.006} | \$9.74 |
| PS1850-20 | 15/16 | 1-1/4 | .121 | .129 ±.002 | .940 ±.002 | 1.249 ^{+0.000} / _{-.005} | 1.250 ^{+0.002} / _{+0.000} | .121 ^{+0.000} / _{-.005} | .073 ^{+0.000} / _{-.006} | 9.44 |
| PS1850-24 | 1-3/16 | 1-1/2 | .121 | .129 ±.002 | 1.190 ±.002 | 1.499 ^{+0.000} / _{-.005} | 1.500 ^{+0.002} / _{+0.000} | .121 ^{+0.000} / _{-.005} | .073 ^{+0.000} / _{-.006} | 9.84 |
| PS1850-28 | 1-7/16 | 1-3/4 | .121 | .129 ±.002 | 1.440 ±.002 | 1.749 ^{+0.000} / _{-.005} | 1.750 ^{+0.002} / _{+0.000} | .121 ^{+0.000} / _{-.005} | .073 ^{+0.000} / _{-.006} | 10.61 |
| PS1850-32 | 1-11/16 | 2 | .121 | .129 ±.002 | 1.690 ±.002 | 1.999 ^{+0.000} / _{-.005} | 2.000 ^{+0.002} / _{+0.000} | .121 ^{+0.000} / _{-.005} | .073 ^{+0.000} / _{-.006} | 12.20 |
| PS1850-36 | 1-15/16 | 2-1/4 | .121 | .129 ±.002 | 1.940 ±.002 | 2.249 ^{+0.000} / _{-.005} | 2.250 ^{+0.002} / _{+0.000} | .121 ^{+0.000} / _{-.005} | .073 ^{+0.000} / _{-.006} | 12.51 |
| PS1850-40 | 2-3/16 | 2-1/2 | .121 | .129 ±.002 | 2.190 ±.002 | 2.499 ^{+0.000} / _{-.005} | 2.500 ^{+0.002} / _{+0.000} | .121 ^{+0.000} / _{-.005} | .073 ^{+0.000} / _{-.006} | 13.35 |
| PS1850-44A | 2-3/16 | 2-3/4 | .274 | .284 ±.002 | 2.190 ±.002 | 2.749 ^{+0.000} / _{-.005} | 2.750 ^{+0.002} / _{+0.000} | .274 ^{+0.000} / _{-.005} | .093 ^{+0.000} / _{-.006} | 15.20 |
| PS1850-44 | 2-7/16 | 2-3/4 | .121 | .129 ±.002 | 2.440 ±.002 | 2.749 ^{+0.000} / _{-.005} | 2.750 ^{+0.002} / _{+0.000} | .121 ^{+0.000} / _{-.005} | .073 ^{+0.000} / _{-.006} | 14.81 |
| PS1850-48 | 2-7/16 | 3 | .274 | .284 ±.002 | 2.440 ±.002 | 2.999 ^{+0.000} / _{-.006} | 3.000 ^{+0.002} / _{+0.000} | .274 ^{+0.000} / _{-.005} | .093 ^{+0.000} / _{-.006} | 15.86 |
| PS1850-52 | 2-11/16 | 3-1/4 | .274 | .284 ±.002 | 2.690 ±.002 | 3.249 ^{+0.000} / _{-.006} | 3.250 ^{+0.002} / _{+0.000} | .274 ^{+0.000} / _{-.005} | .093 ^{+0.000} / _{-.006} | 18.85 |
| PS1850-56 | 2-15/16 | 3-1/2 | .274 | .284 ±.002 | 2.940 ±.002 | 3.499 ^{+0.000} / _{-.006} | 3.500 ^{+0.002} / _{+0.000} | .274 ^{+0.000} / _{-.005} | .093 ^{+0.000} / _{-.006} | 20.77 |
| PS1850-60 | 3-3/16 | 3-3/4 | .274 | .284 ±.002 | 3.190 ±.002 | 3.749 ^{+0.000} / _{-.006} | 3.750 ^{+0.002} / _{+0.000} | .274 ^{+0.000} / _{-.005} | .093 ^{+0.000} / _{-.006} | 23.58 |
| PS1850-64 | 3-7/16 | 4 | .274 | .284 ±.002 | 3.440 ±.002 | 3.999 ^{+0.000} / _{-.006} | 4.000 ^{+0.002} / _{+0.000} | .274 ^{+0.000} / _{-.005} | .093 ^{+0.000} / _{-.006} | 26.21 |
| PS1850-68 | 3-11/16 | 4-1/4 | .274 | .284 ±.002 | 3.690 ±.002 | 4.249 ^{+0.000} / _{-.006} | 4.250 ^{+0.002} / _{+0.000} | .274 ^{+0.000} / _{-.005} | .093 ^{+0.000} / _{-.006} | 30.28 |

FORMERLY LISTED SEALS ARE AVAILABLE ONLINE AT WWW.HERCULESUS.COM
OR BY CONTACTING YOUR REGIONAL HERCULES SALES TEAM.



STYLE PS1850 BRONZE FILLED PISTON SEALS

PISTON SEAL ASSEMBLIES

| Part Number | A Nom. ID | B Nom. OD | C Nom. Ht | D GROOVE WIDTH | H GROOVE DIAMETER | I PISTON DIAMETER | J BORE DIAMETER | C HEIGHT | CS ₁ RING CROSS SECTION | List Price |
|-------------|--------------|-----------------|-----------------|----------------------|-------------------------|---|--|---|--|---------------|
| PS1850-72 | 3-15/16 | 4-1/2 | .274 | .284 ±.002 | 3.940 ±.002 | 4.499 ^{+0.00} _{-.006} | 4.500 ^{+0.002} _{+0.000} | .274 ^{+0.000} _{-.005} | .093 ^{+0.000} _{-.006} | 31.79 |
| PS1850-76 | 4-3/16 | 4-3/4 | .274 | .284 ±.002 | 4.190 ±.002 | 4.749 ^{+0.000} _{-.006} | 4.750 ^{+0.002} _{+0.000} | .274 ^{+0.000} _{-.005} | .093 ^{+0.000} _{-.006} | 32.75 |
| PS1850-80 | 4-7/16 | 5 | .274 | .284 ±.002 | 4.440 ±.002 | 4.999 ^{+0.000} _{-.006} | 5.000 ^{+0.002} _{+0.000} | .274 ^{+0.000} _{-.005} | .093 ^{+0.000} _{-.006} | 34.31 |
| PS1850-84 | 4-1/2 | 5-1/4 | .367 | .379 ±.002 | 4.488 ±.002 | 5.249 ^{+0.000} _{-.007} | 5.250 ^{+0.002} _{+0.000} | .367 ^{+0.000} _{-.005} | .147 ^{+0.000} _{-.010} | 40.42 |
| PS1850-88 | 4-3/4 | 5-1/2 | .367 | .379 ±.002 | 4.738 ±.002 | 5.499 ^{+0.000} _{-.007} | 5.500 ^{+0.002} _{+0.000} | .367 ^{+0.000} _{-.005} | .147 ^{+0.000} _{-.010} | 45.19 |
| PS1850-92 | 5 | 5-3/4 | .367 | .379 ±.002 | 4.988 ±.002 | 5.749 ^{+0.000} _{-.007} | 5.750 ^{+0.002} _{+0.000} | .367 ^{+0.000} _{-.005} | .147 ^{+0.000} _{-.010} | 48.81 |
| PS1850-96 | 5-1/4 | 6 | .367 | .379 ±.002 | 5.238 ±.002 | 5.999 ^{+0.000} _{-.007} | 6.000 ^{+0.002} _{+0.000} | .367 ^{+0.000} _{-.005} | .147 ^{+0.000} _{-.010} | 52.42 |
| PS1850-104 | 5-3/4 | 6-1/2 | .367 | .379 ±.002 | 5.738 ±.002 | 6.499 ^{+0.000} _{-.007} | 6.500 ^{+0.002} _{+0.000} | .367 ^{+0.000} _{-.005} | .147 ^{+0.000} _{-.010} | 52.91 |
| PS1850-112 | 6-1/4 | 7 | .367 | .379 ±.002 | 6.238 ±.002 | 6.999 ^{+0.000} _{-.007} | 7.000 ^{+0.002} _{+0.000} | .367 ^{+0.000} _{-.005} | .147 ^{+0.000} _{-.010} | 53.87 |
| PS1850-116 | 6-1/2 | 7-1/4 | .367 | .379 ±.002 | 6.488 ±.002 | 7.249 ^{+0.000} _{-.007} | 7.250 ^{+0.002} _{+0.000} | .367 ^{+0.000} _{-.005} | .147 ^{+0.000} _{-.010} | 53.94 |
| PS1850-120 | 6-3/4 | 7-1/2 | .367 | .379 ±.002 | 6.738 ±.002 | 7.499 ^{+0.000} _{-.007} | 7.500 ^{+0.002} _{+0.000} | .367 ^{+0.000} _{-.005} | .147 ^{+0.000} _{-.010} | 54.04 |
| PS1850-124 | 7 | 7-3/4 | .367 | .379 ±.002 | 6.988 ±.002 | 7.499 ^{+0.000} _{-.007} | 7.750 ^{+0.002} _{+0.000} | .367 ^{+0.000} _{-.005} | .147 ^{+0.000} _{-.010} | 58.32 |
| PS1850-128 | 7-1/4 | 8 | .367 | .379 ±.002 | 7.238 ±.002 | 7.999 ^{+0.000} _{-.007} | 8.000 ^{+0.002} _{+0.000} | .367 ^{+0.000} _{-.005} | .147 ^{+0.000} _{-.010} | 61.66 |
| PS1850-132 | 7-1/2 | 8-1/4 | .367 | .379 ±.002 | 7.488 ±.002 | 8.249 ^{+0.000} _{-.007} | 8.250 ^{+0.002} _{+0.000} | .367 ^{+0.000} _{-.005} | .147 ^{+0.000} _{-.010} | 65.93 |
| PS1850-136 | 7-3/4 | 8-1/2 | .367 | .379 ±.002 | 7.738 ±.002 | 8.499 ^{+0.000} _{-.007} | 8.500 ^{+0.002} _{+0.000} | .367 ^{+0.000} _{-.005} | .147 ^{+0.000} _{-.010} | 72.39 |
| PS1850-144 | 8-1/8 | 9 | .367 | .379 ±.002 | 8.122 ±.002 | 8.999 ^{+0.000} _{-.008} | 9.000 ^{+0.002} _{+0.000} | .367 ^{+0.000} _{-.005} | .210 ^{+0.000} _{-.015} | 83.26 |
| PS1850-152 | 8-5/8 | 9-1/2 | .367 | .379 ±.002 | 8.622 ±.002 | 9.499 ^{+0.000} _{-.008} | 9.500 ^{+0.002} _{+0.000} | .367 ^{+0.000} _{-.005} | .210 ^{+0.000} _{-.015} | 105.15 |
| PS1850-160 | 9-1/8 | 10 | .367 | .379 ±.002 | 9.122 ±.002 | 9.999 ^{+0.000} _{-.008} | 10.000 ^{+0.002} _{+0.000} | .367 ^{+0.000} _{-.005} | .210 ^{+0.000} _{-.015} | 115.66 |
| PS1850-176 | 10-1/8 | 11 | .367 | .379 ±.002 | 10.122 ±.002 | 10.999 ^{+0.000} _{-.008} | 11.000 ^{+0.002} _{+0.000} | .367 ^{+0.000} _{-.005} | .210 ^{+0.000} _{-.015} | 204.23 |
| PS1850-192 | 11-1/8 | 12 | .367 | .379 ±.002 | 11.122 ±.002 | 11.999 ^{+0.000} _{-.008} | 12.000 ^{+0.002} _{+0.000} | .367 ^{+0.000} _{-.005} | .210 ^{+0.000} _{-.015} | 211.83 |
| PS1850-208 | 12-1/8 | 13 | .367 | .379 ±.002 | 12.122 ±.002 | 12.999 ^{+0.000} _{-.008} | 13.000 ^{+0.002} _{+0.000} | .367 ^{+0.000} _{-.005} | .210 ^{+0.000} _{-.015} | 219.73 |
| PS1850-224 | 13-1/8 | 14 | .367 | .379 ±.002 | 13.122 ±.002 | 13.999 ^{+0.000} _{-.008} | 14.000 ^{+0.002} _{+0.000} | .367 ^{+0.000} _{-.005} | .210 ^{+0.000} _{-.015} | 238.08 |

NORTH AMERICA
PHONE 1-800-777-5617
FAX 1-800-759-6391

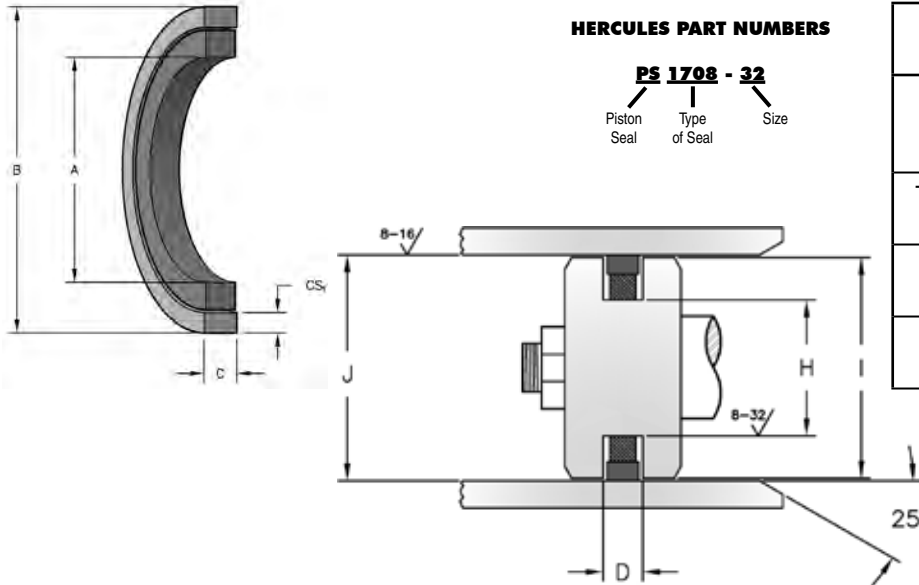
SALES OFFICE HOURS
8 A.M. TO 7:30 P.M. EASTERN TIME
www.HerculesUS.com

WORLDWIDE
PHONE 1-727-796-1300
FAX 1-727-797-8849

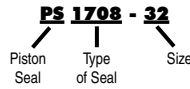
NEW FOR 2015

STYLE PS1708 POLY-TREL™ PISTON SEALS

Manufactured from 55 Shore D polyester reinforced with <5% glass fiber, style PS1708 offers compact, low friction sealing for light to medium duty hydraulic cylinders. Style PS1708 is easily stretched over the piston without needing to be resized as in the PS1800 seals. Directly interchangeable with style PS1800 and PS1850 piston seals. **NOTE:** Piston diameter "I" dimensions are given for pistons without wear rings.



HERCULES PART NUMBERS



| SEAL INFORMATION | |
|-------------------|--|
| MATERIAL | POLY-TREL™ THERMOPLASTIC 70A NBR ENERGIZER |
| TEMPERATURE RANGE | -40° TO +230° F |
| PRESSURE RANGE | 0 TO 5,000 PSI |
| SPEED | 3 FT/SEC |

PISTON SEAL ASSEMBLIES

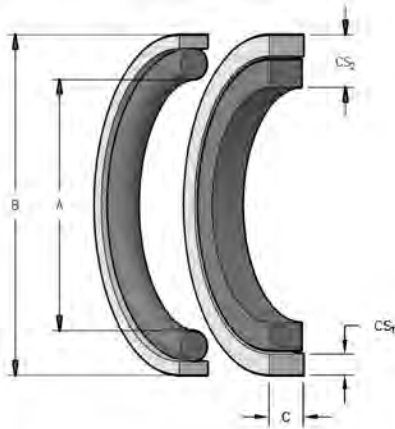
| Part Number | A Nom. ID | B Nom. OD | C Nom. Ht | D GROOVE WIDTH | H GROOVE DIAMETER | I PISTON DIAMETER | J BORE DIAMETER | C HEIGHT | CS ₁ RING CROSS SECTION | List Price |
|-------------|--------------|--------------|--------------|----------------------|----------------------|--|---|---|---|------------|
| PS1708-32 | 1-11/16 | 2 | .121 | .129 ±.002 | 1.690 ±.002 | 1.999 ^{+0.00} / _{-.003} | 2.000 ^{+0.002} / _{+0.000} | .121 ^{+0.000} / _{-.005} | .073 ^{+0.000} / _{-.006} | \$5.90 |
| PS1708-40 | 2-3/16 | 2-1/2 | .121 | .129 ±.002 | 2.190 ±.002 | 2.499 ^{+0.000} / _{-.005} | 2.500 ^{+0.002} / _{+0.000} | .121 ^{+0.000} / _{-.005} | .073 ^{+0.000} / _{-.006} | 6.31 |
| PS1708-48 | 2-7/16 | 3 | .274 | .284 ±.002 | 2.440 ±.002 | 2.999 ^{+0.000} / _{-.006} | 3.000 ^{+0.002} / _{+0.000} | .274 ^{+0.000} / _{-.005} | .093 ^{+0.000} / _{-.006} | 9.13 |
| PS1708-52 | 2-11/16 | 3-1/4 | .274 | .284 ±.002 | 2.690 ±.002 | 3.249 ^{+0.002} / _{-.006} | 3.250 ^{+0.000} / _{+0.000} | .274 ^{+0.000} / _{-.005} | .093 ^{+0.000} / _{-.006} | 9.27 |
| PS1708-56 | 2-15/16 | 3-1/2 | .274 | .284 ±.002 | 2.940 ±.002 | 3.499 ^{+0.000} / _{-.006} | 3.500 ^{+0.002} / _{+0.000} | .274 ^{+0.000} / _{-.005} | .093 ^{+0.000} / _{-.006} | 9.26 |
| PS1708-60 | 3-3/16 | 3-3/4 | .274 | .284 ±.002 | 3.190 ±.002 | 3.749 ^{+0.000} / _{-.006} | 3.750 ^{+0.002} / _{+0.000} | .274 ^{+0.000} / _{-.005} | .093 ^{+0.000} / _{-.006} | 10.06 |
| PS1708-64 | 3-7/16 | 4 | .274 | .284 ±.002 | 3.440 ±.002 | 3.999 ^{+0.000} / _{-.006} | 4.000 ^{+0.002} / _{+0.000} | .274 ^{+0.000} / _{-.005} | .093 ^{+0.000} / _{-.006} | 9.80 |
| PS1708-68 | 3-11/16 | 4-1/4 | .274 | .284 ±.002 | 3.690 ±.002 | 4.249 ^{+0.000} / _{-.006} | 4.250 ^{+0.002} / _{+0.000} | .274 ^{+0.000} / _{-.005} | .093 ^{+0.000} / _{-.006} | 10.23 |
| PS1708-72 | 3-15/16 | 4-1/2 | .274 | .284 ±.002 | 3.940 ±.002 | 4.499 ^{+0.000} / _{-.006} | 4.500 ^{+0.002} / _{+0.000} | .274 ^{+0.000} / _{-.005} | .093 ^{+0.000} / _{-.006} | 10.25 |
| PS1708-76 | 4-3/16 | 4-3/4 | .274 | .284 ±.002 | 4.190 ±.002 | 4.749 ^{+0.000} / _{-.006} | 4.750 ^{+0.002} / _{+0.000} | .274 ^{+0.000} / _{-.005} | .093 ^{+0.000} / _{-.006} | 16.66 |
| PS1708-80 | 4-7/16 | 5 | .274 | .284 ±.002 | 4.440 ±.002 | 4.999 ^{+0.000} / _{-.006} | 5.000 ^{+0.002} / _{+0.000} | .274 ^{+0.000} / _{-.005} | .093 ^{+0.000} / _{-.006} | 16.82 |
| PS1708-88 | 4-3/4 | 5-1/2 | .367 | .379 ±.002 | 4.738 ±.002 | 5.499 ^{+0.000} / _{-.007} | 5.500 ^{+0.002} / _{+0.000} | .367 ^{+0.000} / _{-.005} | .147 ^{+0.000} / _{-.010} | 17.69 |
| PS1708-96 | 5-1/4 | 6 | .367 | .379 ±.002 | 5.238 ±.002 | 5.999 ^{+0.000} / _{-.007} | 6.000 ^{+0.002} / _{+0.000} | .367 ^{+0.000} / _{-.005} | .147 ^{+0.000} / _{-.010} | 23.33 |
| PS1708-100 | 5-1/2 | 6-1/4 | .367 | .379 ±.002 | 5.488 ±.002 | 6.249 ^{+0.000} / _{-.007} | 6.250 ^{+0.002} / _{+0.000} | .367 ^{+0.000} / _{-.005} | .147 ^{+0.000} / _{-.010} | 25.05 |
| PS1708-104 | 5-3/4 | 6-1/2 | .367 | .379 ±.002 | 5.738 ±.002 | 6.499 ^{+0.000} / _{-.007} | 6.500 ^{+0.002} / _{+0.000} | .367 ^{+0.000} / _{-.005} | .147 ^{+0.000} / _{-.010} | 24.99 |

FORMERLY LISTED SEALS ARE AVAILABLE ONLINE AT WWW.HERCULESUS.COM
OR BY CONTACTING YOUR REGIONAL HERCULES SALES TEAM.

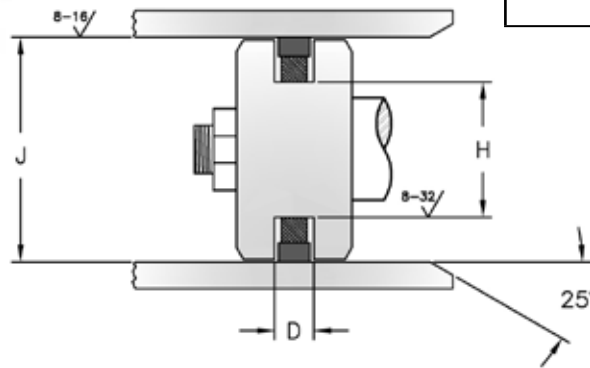
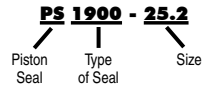


STYLE PS1900 NON-STANDARD PTFE PISTON SEALS

These specifically sized seals are for certain OEM cylinders (primarily Heil & Timberjack). Their use is intended for existing housings where the old seals are dimensionally comparable to the table below. Please call your sales representative if you need additional assistance.



HERCULES PART NUMBERS



SEAL INFORMATION

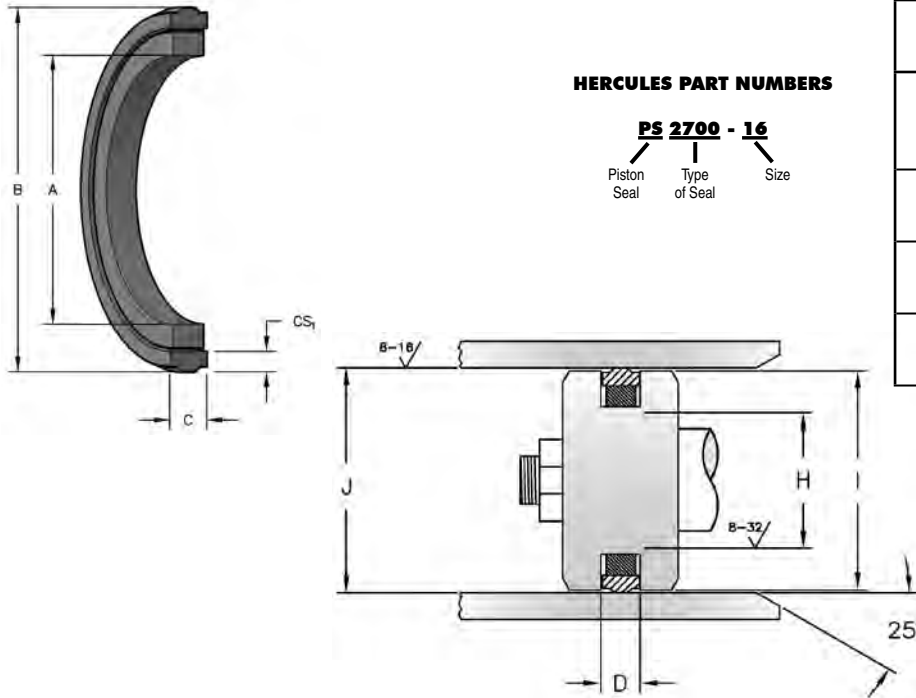
| | |
|-------------------|---|
| MATERIAL | GLASS FILLED PTFE SEAL RUBBER ENERGIZER |
| TEMPERATURE RANGE | -40° TO +220° F |
| PRESSURE RANGE | 0 TO 5,000 PSI |
| SPEED | 12 FT/SEC |

PISTON SEAL ASSEMBLIES

| Part Number | A Nom. ID | B Nom. OD | C Nom. Ht | D GROOVE WIDTH | H GROOVE DIAMETER | J BORE DIAMETER | C HEIGHT | CS ₁ RING CROSS SECTION | CS ₂ TOTAL CROSS SECTION | List Price |
|-------------|-----------------|-----------------|-----------------|--|-------------------------|---|--|--|---|---------------|
| PS1900-25.2 | 1.13 | 1.578 | .154 | .164 ^{+0.02} / _{+0.00} | 1.130 ±0.02 | 1.578 ^{+0.02} / _{+0.00} | .154 ±0.02 | .106 ±0.03 | .245 | \$14.52 |
| PS1900-28.3 | 1.323 | 1.771 | .154 | .164 ^{+0.02} / _{+0.00} | 1.323 ±0.02 | 1.771 ^{+0.02} / _{+0.00} | .154 ±0.02 | .106 ±0.03 | .245 | 14.37 |
| PS1900-32 | 1.649 | 2 | .155 | .160 ^{+0.02} / _{+0.00} | 1.649 ±0.02 | 2.000 ^{+0.02} / _{+0.00} | .155 ^{+0.02} / _{-0.03} | .088 ±0.03 | .191 | 20.10 |
| PS1900-40 | 1.951 | 2-1/2 | .245 | .255 ^{+0.02} / _{+0.00} | 1.951 ±0.02 | 2.500 ^{+0.02} / _{+0.00} | .245 | .092 | .295 | 36.63 |
| PS1900-56 | 2.715 | 3-1/2 | .365 | .380 ^{+0.02} / _{+0.00} | 2.715 ±0.02 | 3.500 ^{+0.02} / _{+0.00} | .365 ^{+0.02} / _{-0.03} | .145 ^{+0.02} / _{-0.03} | .420 | 40.41 |
| PS1900-64 | 3.238 | 4 | .365 | .379 ±0.02 | 3.238 ±0.02 | 4.000 ±0.02 | .365 ±0.02 | .140 ±0.05 | .405 | 44.91 |
| PS1900-64A | 3.451 | 4 | .31 | .320 ^{+0.02} / _{+0.00} | 3.451 ±0.02 | 4.000 ^{+0.02} / _{+0.00} | .310 | .092 | .295 | 30.59 |
| PS1900-72 | 3.738 | 4-1/2 | .365 | .379 ±0.02 | 3.738 ±0.02 | 4.500 ±0.02 | .365 ±0.02 | .140 ±0.05 | .415 | 52.30 |
| PS1900-72A | 3.951 | 4-1/2 | .31 | .320 ^{+0.02} / _{+0.00} | 3.951 ±0.02 | 4.500 ^{+0.02} / _{+0.00} | .310 | .092 | .295 | 28.62 |
| PS1900-76 | 4.073 | 4-3/4 | .225 | .235 ^{+0.02} / _{+0.00} | 4.073 ±0.02 | 4.750 ^{+0.02} / _{+0.00} | .225 ^{+0.00} / _{-0.06} | .160 ±0.03 | .370 | 81.27 |
| PS1900-80A | 4.239 | 5 | .365 | .370 ^{+0.02} / _{+0.00} | 4.239 ±0.02 | 5.000 ^{+0.02} / _{+0.00} | .365 ^{+0.02} / _{-0.03} | .142 ±0.05 | .407 | 43.81 |

STYLE PS2700 POLYURETHANE PISTON SEALS

This seal, molded from high grade polyester with 5% glass fiber and 5% PTFE, may retrofit the PS1800 seals, considering all dimensions are comparable. This seal material, with a high degree of memory, stretches over the piston and snaps in the groove for immediate assembly. These seals also feature low friction and high abrasion and extrusion resistance which helps to eliminate assembly damage. Piston diameter "I" dimensions are given for pistons without wear rings.



| SEAL INFORMATION | |
|-------------------|--|
| MATERIAL | GLASS/PTFE FILLED POLYESTER SEAL, RUBBER ENERGIZER |
| TEMPERATURE RANGE | -40° TO +220° F |
| PRESSURE RANGE | 0 TO 5,000 PSI |
| SPEED | 3 FT/SEC |

PISTON SEAL ASSEMBLIES

| Part Number | A Nom. ID | B Nom. OD | C Nom. Ht | D GROOVE WIDTH | H GROOVE DIAMETER | I PISTON DIAMETER | J BORE DIAMETER | C HEIGHT | CS ₁ RING CROSS SECTION | List Price |
|-------------|-----------|-----------|-----------|----------------|-------------------|--|---|---|------------------------------------|------------|
| PS2700-16 | .691 | 1 | .119 | .129 ±.002 | .691 ±.001 | .999 ^{+0.000} / _{-.009} | 1.000 ^{+0.002} / _{+0.000} | .119 ^{+0.002} / _{-.003} | .070 ±.003 | \$5.53 |
| PS2700-20 | .941 | 1-1/4 | .119 | .129 ±.002 | .941 ±.002 | 1.249 ^{+0.000} / _{-.009} | 1.250 ^{+0.002} / _{+0.000} | .119 ^{+0.002} / _{-.003} | .070 ±.003 | 5.53 |
| PS2700-24 | 1.191 | 1-1/2 | .119 | .129 ±.002 | 1.191 ±.002 | 1.499 ^{+0.000} / _{-.009} | 1.500 ^{+0.002} / _{+0.000} | .119 ^{+0.002} / _{-.003} | .070 ±.003 | 5.79 |
| PS2700-28 | 1.441 | 1-3/4 | .119 | .129 ±.002 | 1.441 ±.002 | 1.749 ^{+0.000} / _{-.009} | 1.750 ^{+0.002} / _{+0.000} | .119 ^{+0.002} / _{-.003} | .070 ±.003 | 5.79 |
| PS2700-32 | 1.691 | 2 | .119 | .129 ±.002 | 1.691 ±.002 | 1.999 ^{+0.000} / _{-.009} | 2.000 ^{+0.003} / _{+0.000} | .119 ^{+0.002} / _{-.003} | .070 ±.003 | 6.24 |
| PS2700-36 | 1.941 | 2-1/4 | .119 | .129 ±.002 | 1.941 ±.002 | 2.249 ^{+0.000} / _{-.009} | 2.250 ^{+0.003} / _{+0.000} | .119 ^{+0.002} / _{-.003} | .070 ±.003 | 6.58 |
| PS2700-40A | 1.962 | 2-1/2 | .272 | .284 ±.002 | 1.962 ±.002 | 2.499 ^{+0.000} / _{-.009} | 2.500 ^{+0.003} / _{+0.000} | .272 ^{+0.002} / _{-.003} | .090 ±.003 | 9.86 |
| PS2700-40 | 2.191 | 2-1/2 | .119 | .129 ±.002 | 2.191 ±.002 | 2.499 ^{+0.000} / _{-.009} | 2.500 ^{+0.003} / _{+0.000} | .119 ^{+0.002} / _{-.003} | .070 ±.003 | 6.87 |
| PS2700-44 | 2.441 | 2-3/4 | .119 | .129 ±.002 | 2.441 ±.002 | 2.749 ^{+0.000} / _{-.009} | 2.750 ^{+0.003} / _{+0.000} | .119 ^{+0.002} / _{-.003} | .070 ±.003 | 7.06 |
| PS2700-48 | 2.462 | 3 | .272 | .283 ±.003 | 2.462 ±.002 | 2.999 ^{+0.000} / _{-.014} | 3.000 ^{+0.003} / _{+0.000} | .272 ^{+0.002} / _{-.003} | .090 ±.003 | 8.69 |
| PS2700-52 | 2.712 | 3-1/4 | .272 | .283 ±.003 | 2.712 ±.002 | 3.249 ^{+0.000} / _{-.014} | 3.250 ^{+0.003} / _{+0.000} | .272 ^{+0.002} / _{-.003} | .090 ±.003 | 10.31 |
| PS2700-56 | 2.962 | 3-1/2 | .272 | .283 ±.003 | 2.962 ±.002 | 3.499 ^{+0.000} / _{-.014} | 3.500 ^{+0.003} / _{+0.000} | .272 ^{+0.002} / _{-.003} | .090 ±.003 | 10.47 |
| PS2700-60 | 3.212 | 3-3/4 | .272 | .283 ±.003 | 3.212 ±.003 | 3.749 ^{+0.000} / _{-.014} | 3.750 ^{+0.003} / _{+0.000} | .272 ^{+0.002} / _{-.003} | .090 ±.003 | 10.61 |
| PS2700-64 | 3.462 | 4 | .272 | .283 ±.003 | 3.462 ±.003 | 3.999 ^{+0.000} / _{-.014} | 4.000 ^{+0.003} / _{+0.000} | .272 ^{+0.002} / _{-.003} | .090 ±.003 | 10.85 |

FORMERLY LISTED SEALS ARE AVAILABLE ONLINE AT WWW.HERCULESUS.COM OR BY CONTACTING YOUR REGIONAL HERCULES SALES TEAM.



STYLE PS2700 POLYURETHANE PISTON SEALS

PISTON SEAL ASSEMBLIES

| Part Number | A Nom. ID | B Nom. OD | C Nom. Ht | D GROOVE WIDTH | H GROOVE DIAMETER | I PISTON DIAMETER | J BORE DIAMETER | C HEIGHT | CS ₁ RING CROSS SECTION | List Price |
|-------------|-----------------|-----------------|-----------------|----------------------|-------------------------|---|--|--|--|---------------|
| PS2700-68 | 3.712 | 4-1/4 | .272 | .283 ±.003 | 3.712 ±.003 | 4.249 ^{+0.000} / _{-0.014} | 4.250 ^{+0.003} / _{+0.000} | .272 ^{+0.002} / _{-0.003} | .090 ±.003 | 10.92 |
| PS2700-72 | 3.962 | 4-1/2 | .272 | .283 ±.003 | 3.962 ±.003 | 4.499 ^{+0.000} / _{-0.014} | 4.500 ^{+0.003} / _{+0.000} | .272 ^{+0.002} / _{-0.003} | .090 ±.003 | 11.28 |
| PS2700-76 | 4.212 | 4-3/4 | .272 | .283 ±.003 | 4.212 ±.003 | 4.749 ^{+0.000} / _{-0.014} | 4.750 ^{+0.004} / _{+0.000} | .272 ^{+0.002} / _{-0.003} | .090 ±.003 | 11.68 |
| PS2700-80 | 4.462 | 5 | .272 | .283 ±.003 | 4.462 ±.003 | 4.999 ^{+0.000} / _{-0.014} | 5.000 ^{+0.004} / _{+0.000} | .272 ^{+0.002} / _{-0.003} | .090 ±.003 | 13.41 |
| PS2700-84 | 4.504 | 5-1/4 | .365 | .378 ±.004 | 4.504 ±.003 | 5.249 ^{+0.000} / _{-0.014} | 5.250 ^{+0.004} / _{+0.000} | .365 ^{+0.002} / _{-0.003} | .142 ±.005 | 18.71 |
| PS2700-88 | 4.754 | 5-1/2 | .365 | .378 ±.004 | 4.754 ±.003 | 5.499 ^{+0.000} / _{-0.014} | 5.500 ^{+0.004} / _{+0.000} | .365 ^{+0.002} / _{-0.003} | .142 ±.005 | 18.87 |
| PS2700-96 | 5.254 | 6 | .365 | .378 ±.004 | 5.254 ±.003 | 5.999 ^{+0.000} / _{-0.014} | 6.000 ^{+0.004} / _{+0.000} | .365 ^{+0.002} / _{-0.003} | .142 ±.005 | 19.72 |
| PS2700-100 | 5.504 | 6-1/4 | .365 | .378 ±.004 | 5.504 ±.003 | 6.249 ^{+0.000} / _{-0.014} | 6.250 ^{+0.004} / _{+0.000} | .365 ^{+0.002} / _{-0.003} | .142 ±.005 | 20.31 |
| PS2700-104 | 5.754 | 6-1/2 | .365 | .378 ±.004 | 5.754 ±.003 | 6.499 ^{+0.000} / _{-0.014} | 6.500 ^{+0.004} / _{+0.000} | .365 ^{+0.002} / _{-0.003} | .142 ±.005 | 20.33 |
| PS2700-112 | 6-1/4 | 7 | .365 | .378 ±.004 | 6.250 ±.003 | 6.999 ^{+0.000} / _{-0.014} | 7.000 ^{+0.004} / _{+0.000} | .365 ^{+0.002} / _{-0.003} | .142 ±.005 | 20.64 |
| PS2700-116 | 6.504 | 7-1/4 | .365 | .378 ±.004 | 6.504 ±.003 | 7.249 ^{+0.000} / _{-0.014} | 7.250 ^{+0.005} / _{+0.000} | .365 ^{+0.002} / _{-0.003} | .142 ±.005 | 21.22 |
| PS2700-128 | 7.254 | 8 | .365 | .378 ±.004 | 7.254 ±.004 | 7.999 ^{+0.000} / _{-0.014} | 8.000 ^{+0.005} / _{+0.000} | .365 ^{+0.002} / _{-0.003} | .142 ±.005 | 21.71 |
| PS2700-136 | 7.754 | 8-1/2 | .365 | .378 ±.004 | 7.754 ±.004 | 8.499 ^{+0.000} / _{-0.014} | 8.500 ^{+0.005} / _{+0.000} | .365 ^{+0.002} / _{-0.003} | .142 ±.005 | 24.74 |
| PS2700-144 | 8.137 | 9 | .365 | .378 ±.004 | 8.137 ±.004 | 8.999 ^{+0.000} / _{-0.014} | 9.000 ^{+0.005} / _{+0.000} | .365 ^{+0.002} / _{-0.003} | .203 ^{+0.007} / _{-0.008} | 50.63 |
| PS2700-160 | 9.137 | 10 | .365 | .378 ±.004 | 9.137 ±.004 | 9.999 ^{+0.000} / _{-0.014} | 10.000 ^{+0.005} / _{+0.000} | .365 ^{+0.002} / _{-0.003} | .203 ^{+0.007} / _{-0.008} | 59.79 |

NORTH AMERICA
PHONE 1-800-777-5617
FAX 1-800-759-6391

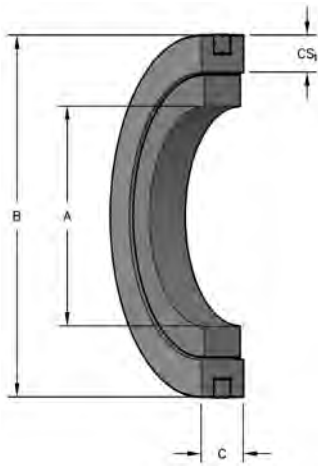
SALES OFFICE HOURS
8 A.M. TO 7:30 P.M. EASTERN TIME
www.HerculesUS.com

WORLDWIDE
PHONE 1-727-796-1300
FAX 1-727-797-8849

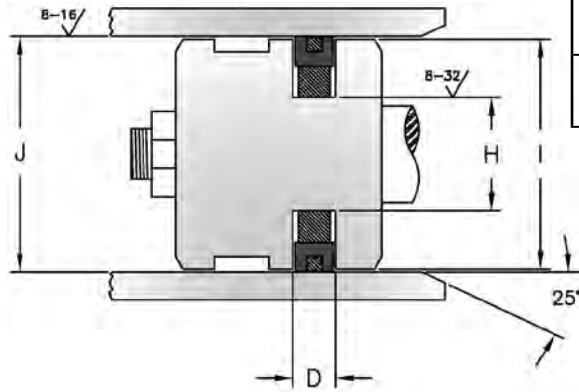
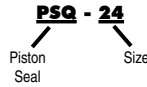
STYLE PSQ BRONZE FILLED PISTON SEALS

These piston seals provide bi-directional, low friction sealing with increased stability and superior leakage control. The square cut energizer provides low pressure sealing and eliminates backside leakage. This seal also effectively seals between different fluids on each side of the piston seal, making gas/liquid sealing combinations possible.

NOTE: Piston diameter "I" dimensions are given for pistons without wear rings.



HERCULES PART NUMBERS



| SEAL INFORMATION | |
|-------------------|---|
| MATERIAL | 40% BRONZE FILLED PTFE SEAL RUBBER ENERGIZER AND QUAD® RING |
| TEMPERATURE RANGE | -40° TO +250° F |
| PRESSURE RANGE | 0 TO 5,000 PSI |
| SPEED | 6 FT/SEC |

PISTON SEAL ASSEMBLIES

| MAXIMUM EXTRUSION GAP | | | |
|--------------------------------|----------|----------|----------|
| PRESSURE | 1000 PSI | 3000 PSI | 5000 PSI |
| MAX DIAM. GAP BORE 1-1/2" - 5" | 0.024" | 0.008" | 0.005" |
| MAX DIAM. GAP BORE 6" - 10" | 0.030" | 0.010" | 0.006" |

| Part Number | A Nom. ID | B Nom. OD | C Nom. Ht | C WIDTH | D GROOVE WIDTH | H GROOVE DIAMETER | I PISTON DIAMETER | J BORE DIAMETER | CS ₁ RING CROSS SECTION | List Price |
|-------------|--------------|--------------|--------------|------------|----------------------|----------------------|----------------------|----------------------|---------------------------------------|------------|
| PSQ-24 | .884 | 1-1/2 | .271 | .270 ±.005 | .288 +.005 -.000 | .884 +.000 -.003 | 1.499 +.000 -.002 | 1.500 +.002 +.000 | .130 ±.005 | \$39.93 |
| PSQ-32 | 1.384 | 2 | .271 | .270 ±.005 | .288 +.005 +.000 | 1.384 +.000 -.003 | 1.999 +.000 -.002 | 2.000 +.002 +.000 | .130 ±.005 | 51.93 |
| PSQ-36 | 1.634 | 2-1/4 | .271 | .270 ±.005 | .288 +.005 +.000 | 1.634 +.000 -.003 | 2.249 +.000 -.002 | 2.250 +.002 +.000 | .130 ±.005 | 53.73 |
| PSQ-40 | 1.884 | 2-1/2 | .271 | .270 ±.005 | .288 +.005 +.000 | 1.884 +.000 -.003 | 2.499 +.000 -.002 | 2.500 +.002 +.000 | .130 ±.005 | 56.61 |
| PSQ-44 | 2.134 | 2-3/4 | .271 | .270 ±.005 | .288 +.005 +.000 | 2.134 +.000 -.003 | 2.749 +.000 -.002 | 2.750 +.002 +.000 | .130 ±.005 | 58.85 |
| PSQ-48 | 2.384 | 3 | .271 | .270 ±.005 | .288 +.005 +.000 | 2.384 +.000 -.003 | 2.999 +.000 -.002 | 3.000 +.002 +.000 | .130 ±.005 | 61.10 |
| PSQ-52 | 2.634 | 3-1/4 | .271 | .270 ±.005 | .288 +.005 +.000 | 2.634 +.000 -.003 | 3.249 +.000 -.002 | 3.250 +.002 +.000 | .130 ±.005 | 64.57 |
| PSQ-56 | 2.884 | 3-1/2 | .271 | .270 ±.005 | .288 +.005 +.000 | 2.884 +.000 -.003 | 3.499 +.000 -.002 | 3.500 +.002 +.000 | .130 ±.005 | 65.88 |
| PSQ-64 | 3.384 | 4 | .271 | .270 ±.005 | .288 +.005 +.000 | 3.384 +.000 -.003 | 3.999 +.000 -.002 | 4.000 +.002 +.000 | .130 ±.005 | 66.11 |

FORMERLY LISTED SEALS ARE AVAILABLE ONLINE AT WWW.HERCULESUS.COM
OR BY CONTACTING YOUR REGIONAL HERCULES SALES TEAM.



STYLE PSQ BRONZE FILLED PISTON SEALS

PISTON SEAL ASSEMBLIES

| Part Number | A Nom. ID | B Nom. OD | C Nom. Ht | C WIDTH | D GROOVE WIDTH | H GROOVE DIAMETER | I PISTON DIAMETER | J BORE DIAMETER | CS ₁ RING CROSS SECTION | List Price |
|-------------|--------------|--------------|--------------|------------|--|--|--|--|---------------------------------------|---------------|
| PSQ-68 | 3.634 | 4-1/4 | .271 | .270 ±.005 | .288 ^{+0.005} / _{+0.000} | 3.634 ^{+0.000} / _{-.003} | 4.249 ^{+0.000} / _{-.002} | 4.250 ^{+0.002} / _{+0.000} | .130 ±.005 | ***** |
| PSQ-72 | 3.884 | 4-1/2 | .271 | .270 ±.005 | .288 ^{+0.005} / _{+0.000} | 3.884 ^{+0.000} / _{-.003} | 4.499 ^{+0.000} / _{-.002} | 4.500 ^{+0.002} / _{+0.000} | .130 ±.005 | 75.12 |
| PSQ-80 | 4.384 | 5 | .271 | .270 ±.005 | .288 ^{+0.005} / _{+0.000} | 4.384 ^{+0.000} / _{-.006} | 4.998 ^{+0.000} / _{-.004} | 5.000 ^{+0.004} / _{+0.000} | .130 ±.005 | 81.37 |
| PSQ-88 | 4.66 | 5-1/2 | .362 | .362 ±.005 | .375 ^{+0.005} / _{+0.000} | 4.660 ^{+0.000} / _{-.006} | 5.498 ^{+0.000} / _{-.004} | 5.500 ^{+0.004} / _{+0.000} | .195 ±.005 | 99.09 |
| PSQ-96 | 5.16 | 6 | .362 | .362 ±.005 | .375 ^{+0.005} / _{+0.000} | 5.160 ^{+0.000} / _{-.006} | 5.998 ^{+0.000} / _{-.004} | 6.000 ^{+0.004} / _{+0.000} | .195 ±.005 | 106.68 |
| PSQ-104 | 5.66 | 6-1/2 | .362 | .362 ±.005 | .375 ^{+0.005} / _{+0.000} | 5.660 ^{+0.000} / _{-.006} | 6.498 ^{+0.000} / _{-.004} | 6.500 ^{+0.004} / _{+0.000} | .195 ±.005 | 129.65 |
| PSQ-112 | 6.16 | 7 | .362 | .362 ±.005 | .375 ^{+0.005} / _{+0.000} | 6.160 ^{+0.000} / _{-.006} | 6.998 ^{+0.000} / _{-.004} | 7.000 ^{+0.004} / _{+0.000} | .195 ±.005 | 114.97 |
| PSQ-128 | 7.16 | 8 | .362 | .362 ±.005 | .375 ^{+0.005} / _{+0.000} | 7.160 ^{+0.000} / _{-.006} | 7.998 ^{+0.000} / _{-.004} | 8.000 ^{+0.004} / _{+0.000} | .195 ±.005 | 126.14 |
| PSQ-144 | 8.16 | 9 | .362 | .352 | .375 ^{+0.005} / _{+0.000} | 8.160 ^{+0.000} / _{-.006} | 8.998 ^{+0.000} / _{-.004} | 9.000 ^{+0.004} / _{+0.000} | | 86.24 |
| PSQ-160 | 9.16 | 10 | .362 | .362 ±.005 | .375 ^{+0.005} / _{+0.000} | 9.160 ^{+0.000} / _{-.006} | 9.998 ^{+0.000} / _{-.004} | 10.000 ^{+0.004} / _{+0.000} | .195 ±.005 | 147.30 |

Seal color may vary. Special order sizes are available. Sizes not shown and out of stock items can also be ordered for next day delivery through Seals On Demand, our custom seal program. Please call your regional sales team for assistance.



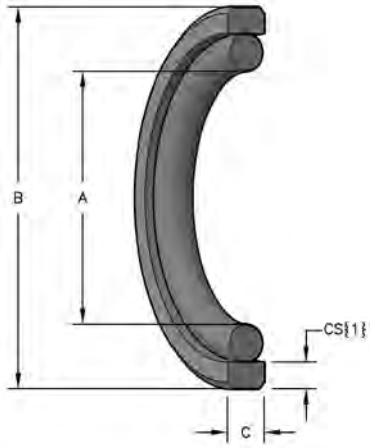
**Hercules Offers a Complete
Line of Cylinder Repair Parts
for Mobile and Industrial
Applications.**

**Stock Includes Cylinder
Glands, Caps, Heads
and Pistons.**

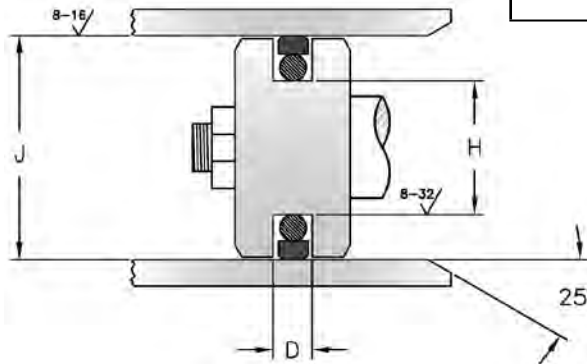
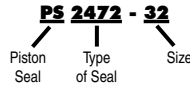
**View the Complete Inventory
in the Cylinder and Repair
Parts Catalog or Online at
www.HerculesUS.com**

STYLE PS2470 BRONZE FILLED PTFE PISTON SEALS

Molded from a PTFE base material with 40% bronze and machined to exacting tolerances, this seal exhibits low friction and high strength corners are chamfered for cold flow resistance.



HERCULES PART NUMBERS



| SEAL INFORMATION | |
|-------------------|--|
| MATERIAL | 40% BRONZE FILLE PTFE RUBBER ENERGIZER |
| TEMPERATURE RANGE | -40° TO +220° F |
| PRESSURE RANGE | 0 TO 5,000 |
| SPEED | 12 FT/SEC |

PISTON SEAL ASSEMBLIES

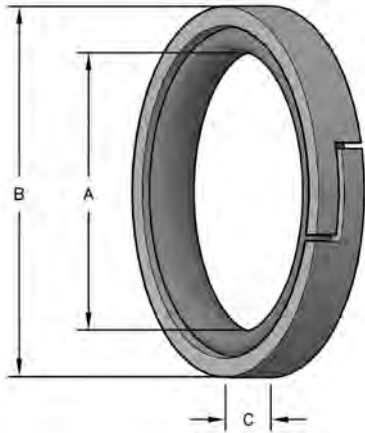
| Part Number | A Nom. ID | B Nom. OD | C Nom. Ht | D GROOVE WIDTH | H GROOVE DIAMETER | J BORE DIAMETER | C HEIGHT | CS ₁ RING CROSS SECTION | List Price |
|-------------|--------------|--------------|--------------|----------------------|----------------------|--------------------|-------------|---------------------------------------|------------|
| PS2472-32 | 1-9/16 | 2 | .15 | .168 ±.002 | 1.576 ±.002 | 2.000 | .150 | .100 | \$15.61 |
| PS2472-40 | 2-1/16 | 2-1/2 | .15 | .168 ±.002 | 2.076 ±.002 | 2.500 | .150 | .100 | 16.53 |
| PS2472-44 | 2-5/16 | 2-3/4 | .15 | .168 ±.002 | 2.326 ±.002 | 2.750 | .150 | .100 | 22.69 |
| PS2472-48 | 2-9/16 | 3 | .15 | .168 ±.002 | 2.576 ±.002 | 3.000 | .150 | .100 | 18.28 |
| PS2473-52 | 2-5/8 | 3-1/4 | .225 | .249 ±.002 | 2.634 ±.003 | 3.250 | .225 | .140 | 29.19 |
| PS2473-56 | 2-7/8 | 3-1/2 | .225 | .249 ±.002 | 2.884 ±.003 | 3.500 | .225 | .140 | 30.05 |
| PS2473-64 | 3-3/8 | 4 | .225 | .249 ±.002 | 3.384 ±.003 | 4.000 | .225 | .140 | 33.19 |
| PS2473-68 | 3-5/8 | 4-1/4 | .225 | .249 ±.002 | 3.634 ±.003 | 4.250 | .225 | .145 | 31.53 |
| PS2473-72 | 3-7/8 | 4-1/2 | .225 | .249 ±.002 | 3.884 ±.003 | 4.500 | .225 | .140 | 38.65 |
| PS2473-80 | 4-3/8 | 5 | .225 | .249 ±.002 | 4.384 ±.003 | 5.000 | .225 | .140 | 39.48 |
| PS2474-88 | 4-21/32 | 5-1/2 | .29 | .322 ±.002 | 4.670 ±.004 | 5.500 | .290 | .195 | 51.93 |
| PS2474-96 | 5-5/32 | 6 | .29 | .322 ±.002 | 5.170 ±.004 | 6.000 | .290 | .195 | 59.43 |
| PS2473-96 | 5-3/8 | 6 | .225 | .249 ±.002 | 5.384 ±.004 | 6.000 | .225 | .140 | 47.72 |
| PS2474-104 | 5-21/32 | 6-1/2 | .29 | .322 ±.002 | 5.670 ±.004 | 6.500 | .290 | .195 | 60.94 |
| PS2474-112 | 6-5/32 | 7 | .29 | .322 ±.002 | 6.170 ±.004 | 7.000 | .290 | .195 | 63.65 |
| PS2474-120 | 6-21/32 | 7-1/2 | .29 | .322 ±.002 | 6.670 ±.004 | 7.500 | .290 | .195 | 69.10 |
| PS2474-128 | 7-5/32 | 8 | .29 | .322 ±.002 | 7.170 ±.004 | 8.000 | .290 | .195 | 72.33 |
| PS2474-152 | 8-21/32 | 9-1/2 | .29 | .322 ±.002 | 8.670 ±.004 | 9.500 | .290 | .195 | 85.71 |
| PS2474-160 | 9-5/32 | 10 | .29 | .322 ±.002 | 9.170 ±.004 | 10.000 | .290 | .195 | 121.50 |



STYLE PS914 NYLON STEP CUT PISTON SEALS

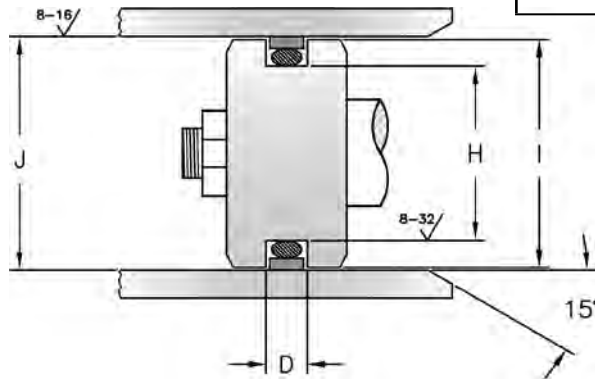
NOTE: Piston diameter "I" dimensions are given for pistons without wear rings.

PISTON SEAL ASSEMBLIES



HERCULES PART NUMBERS

PS 914 - 2000 - 282
 Piston Seal Type of Seal Size Groove Width



SEAL INFORMATION

| | |
|-------------------|--|
| MATERIAL | GLASS FILLED NYLON SEAL RUBBER ENERGIZER |
| TEMPERATURE RANGE | -40° TO +220° |
| PRESSURE RANGE | 0 TO 6,000 PSI |
| SPEED | 3 FT/SEC |

| Part Number | A Nom. ID | B Nom. OD | C Nom. Ht | D GROOVE WIDTH | H GROOVE DIAMETER | I PISTON DIAMETER | J BORE DIAMETER | C HEIGHT | List Price |
|----------------|--------------|--------------|--------------|--|--|--|---|-------------|------------|
| PS914-2000-282 | 1.462 | 2 | 9/32 | .282 ^{+0.05} / _{+0.00} | 1.462 ^{+0.00} / _{-0.005} | 1.999 ^{+0.00} / _{-0.065} | 2.000 ^{+0.005} / _{+0.000} | .274 | \$52.36 |
| PS914-2250-282 | 1.712 | 2-1/4 | 9/32 | .282 ^{+0.05} / _{+0.00} | 1.712 ^{+0.00} / _{-0.005} | 2.249 ^{+0.00} / _{-0.065} | 2.250 ^{+0.005} / _{+0.000} | .274 | 54.05 |
| PS914-2500-312 | 1.908 | 2-1/2 | 5/16 | .312 ^{+0.05} / _{+0.00} | 1.908 ^{+0.00} / _{-0.005} | 2.499 ^{+0.00} / _{-0.065} | 2.500 ^{+0.005} / _{+0.000} | .304 | 63.55 |
| PS914-2500-282 | 1.962 | 2-1/2 | 9/32 | .282 ^{+0.05} / _{+0.00} | 1.962 ^{+0.00} / _{-0.005} | 2.499 ^{+0.00} / _{-0.065} | 2.500 ^{+0.005} / _{+0.000} | .274 | 54.82 |
| PS914-2750-282 | 2.212 | 2-3/4 | 9/32 | .282 ^{+0.05} / _{+0.00} | 2.212 ^{+0.00} / _{-0.005} | 2.749 ^{+0.00} / _{-0.065} | 2.750 ^{+0.005} / _{+0.000} | .274 | 56.22 |
| PS914-3000-312 | 2.408 | 3 | 5/16 | .312 ^{+0.05} / _{+0.00} | 2.408 ^{+0.00} / _{-0.005} | 2.999 ^{+0.00} / _{-0.080} | 3.000 ^{+0.005} / _{+0.000} | .304 | 64.32 |
| PS914-3000-282 | 2.442 | 3 | 9/32 | .282 ^{+0.05} / _{+0.00} | 2.442 ^{+0.00} / _{-0.005} | 2.999 ^{+0.00} / _{-0.080} | 3.000 ^{+0.005} / _{+0.000} | .274 | 65.85 |
| PS914-3500-312 | 2.908 | 3-1/2 | 5/16 | .312 ^{+0.05} / _{+0.00} | 2.908 ^{+0.00} / _{-0.005} | 3.499 ^{+0.00} / _{-0.080} | 3.500 ^{+0.005} / _{+0.000} | .304 | 78.19 |
| PS914-3500-282 | 2.942 | 3-1/2 | 9/32 | .282 ^{+0.05} / _{+0.00} | 2.942 ^{+0.00} / _{-0.005} | 3.499 ^{+0.00} / _{-0.080} | 3.500 ^{+0.005} / _{+0.000} | .274 | 76.15 |
| PS914-4000-312 | 3.408 | 4 | 5/16 | .312 ^{+0.05} / _{+0.00} | 3.408 ^{+0.00} / _{-0.005} | 3.999 ^{+0.00} / _{-0.080} | 4.000 ^{+0.005} / _{+0.000} | .304 | 81.81 |
| PS914-4000-282 | 3.442 | 4 | 9/32 | .282 ^{+0.05} / _{+0.00} | 3.442 ^{+0.00} / _{-0.005} | 3.999 ^{+0.00} / _{-0.080} | 4.000 ^{+0.005} / _{+0.000} | .274 | 77.78 |
| PS914-4250-282 | 3.692 | 4-1/4 | 9/32 | .282 ^{+0.05} / _{+0.00} | 3.692 ^{+0.00} / _{-0.005} | 4.249 ^{+0.00} / _{-0.080} | 4.250 ^{+0.005} / _{+0.000} | .274 | 66.28 |
| PS914-4265-282 | 3.707 | 4.265 | 9/32 | .282 ^{+0.05} / _{+0.00} | 3.707 ^{+0.00} / _{-0.005} | 4.264 ^{+0.00} / _{-0.080} | 4.265 ^{+0.005} / _{+0.000} | .274 | 86.26 |
| PS914-4500-312 | 3.908 | 4-1/2 | 5/16 | .312 ^{+0.05} / _{+0.00} | 3.908 ^{+0.00} / _{-0.005} | 4.499 ^{+0.00} / _{-0.080} | 4.500 ^{+0.005} / _{+0.000} | .304 | 87.34 |
| PS914-4500-282 | 3.942 | 4-1/2 | 9/32 | .282 ^{+0.05} / _{+0.00} | 3.942 ^{+0.00} / _{-0.005} | 4.499 ^{+0.00} / _{-0.080} | 4.500 ^{+0.005} / _{+0.000} | .274 | 88.24 |

NORTH AMERICA
 PHONE 1-800-777-5617
 FAX 1-800-759-6391

SALES OFFICE HOURS
 8 A.M. TO 7:30 P.M. EASTERN TIME
www.HerculesUS.com

WORLDWIDE
 PHONE 1-727-796-1300
 FAX 1-727-797-8849

STYLE PS914 NYLON STEP CUT PISTON SEALS

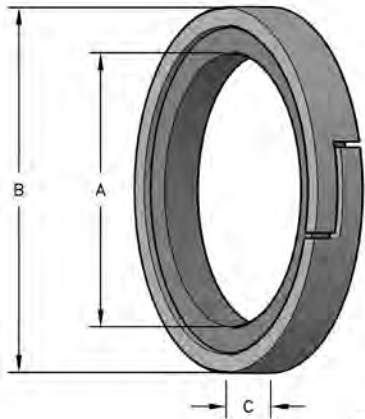
| Part Number | A Nom. ID | B Nom. OD | C Nom. Ht | D GROOVE WIDTH | H GROOVE DIAMETER | I PISTON DIAMETER | J BORE DIAMETER | C HEIGHT | List Price |
|-----------------|--------------|--------------|--------------|--|---|---|--|-------------|---------------|
| PS914-4750-282 | 4.192 | 4-3/4 | 9/32 | .282 ⁺⁰⁰⁵ / ₊₀₀₀ | 4.192 ⁺⁰⁰⁰ / _{-.005} | 4.749 ⁺⁰⁰⁰ / _{-.080} | 4.750 ⁺⁰⁰⁵ / ₊₀₀₀ | .274 | 85.87 |
| PS914-5000-375 | 4.24 | 5 | 3/8 | .377 ⁺⁰⁰⁵ / ₊₀₀₀ | 4.240 ⁺⁰⁰⁰ / _{-.005} | 4.999 ⁺⁰⁰⁰ / _{-.080} | 5.000 ⁺⁰⁰⁵ / ₊₀₀₀ | .368 | 102.74 |
| PS914-5000-282 | 4.442 | 5 | 9/32 | .282 ⁺⁰⁰⁵ / ₊₀₀₀ | 4.442 ⁺⁰⁰⁰ / _{-.005} | 4.999 ⁺⁰⁰⁰ / _{-.080} | 5.000 ⁺⁰⁰⁵ / ₊₀₀₀ | .274 | 86.20 |
| PS914-5250-375 | 4.49 | 5-1/4 | 3/8 | .377 ⁺⁰⁰⁵ / ₊₀₀₀ | 4.490 ⁺⁰⁰⁰ / _{-.005} | 5.249 ⁺⁰⁰⁰ / _{-.100} | 5.250 ⁺⁰⁰⁵ / ₊₀₀₀ | .368 | 102.74 |
| PS914-5250-282 | 4.692 | 5-1/4 | 9/32 | .282 ⁺⁰⁰⁵ / ₊₀₀₀ | 4.692 ⁺⁰⁰⁰ / _{-.005} | 5.249 ⁺⁰⁰⁰ / _{-.080} | 5.250 ⁺⁰⁰⁵ / ₊₀₀₀ | .274 | 99.18 |
| PS914-5500-375 | 4.74 | 5-1/2 | 3/8 | .377 ⁺⁰⁰⁵ / ₊₀₀₀ | 4.740 ⁺⁰⁰⁰ / _{-.005} | 5.499 ⁺⁰⁰⁰ / _{-.100} | 5.500 ⁺⁰⁰⁵ / ₊₀₀₀ | .368 | 102.74 |
| PS914-6000-375 | 5.24 | 6 | 3/8 | .377 ⁺⁰⁰⁵ / ₊₀₀₀ | 5.240 ⁺⁰⁰⁰ / _{-.005} | 5.999 ⁺⁰⁰⁰ / _{-.100} | 6.000 ⁺⁰⁰⁵ / ₊₀₀₀ | .368 | 108.99 |
| PS914-6500-375 | 5.74 | 6-1/2 | 3/8 | .377 ⁺⁰⁰⁵ / ₊₀₀₀ | 5.740 ⁺⁰⁰⁰ / _{-.005} | 6.499 ⁺⁰⁰⁰ / _{-.100} | 6.500 ⁺⁰⁰⁵ / ₊₀₀₀ | .368 | 109.84 |
| PS914-7000-375 | 6.24 | 7 | 3/8 | .377 ⁺⁰⁰⁵ / ₊₀₀₀ | 6.240 ⁺⁰⁰⁰ / _{-.005} | 6.999 ⁺⁰⁰⁰ / _{-.100} | 7.000 ⁺⁰⁰⁵ / ₊₀₀₀ | .368 | 110.34 |
| PS914-7500-375 | 6.74 | 7-1/2 | 3/8 | .377 ⁺⁰⁰⁵ / ₊₀₀₀ | 6.740 ⁺⁰⁰⁰ / _{-.005} | 7.499 ⁺⁰⁰⁰ / _{-.100} | 7.500 ⁺⁰⁰⁵ / ₊₀₀₀ | .368 | 112.53 |
| PS914-8000-375 | 7.24 | 8 | 3/8 | .377 ⁺⁰⁰⁵ / ₊₀₀₀ | 7.240 ⁺⁰⁰⁰ / _{-.005} | 7.999 ⁺⁰⁰⁰ / _{-.100} | 8.000 ⁺⁰⁰⁵ / ₊₀₀₀ | .368 | 113.72 |
| PS914-8500-375 | 7.74 | 8-1/2 | 3/8 | .377 ⁺⁰⁰⁵ / ₊₀₀₀ | 7.740 ⁺⁰⁰⁰ / _{-.005} | 8.499 ⁺⁰⁰⁰ / _{-.100} | 8.500 ⁺⁰⁰⁵ / ₊₀₀₀ | .368 | 115.09 |
| PS914-9000-375 | 8.124 | 9 | 3/8 | .377 ⁺⁰⁰⁵ / ₊₀₀₀ | 8.124 ⁺⁰⁰⁰ / _{-.005} | 8.999 ⁺⁰⁰⁰ / _{-.100} | 9.000 ⁺⁰⁰⁵ / ₊₀₀₀ | .368 | 202.87 |
| PS914-9500-375 | 8.624 | 9-1/2 | 3/8 | .377 ⁺⁰⁰⁵ / ₊₀₀₀ | 8.624 ⁺⁰⁰⁰ / _{-.005} | 9.499 ⁺⁰⁰⁰ / _{-.100} | 9.500 ⁺⁰⁰⁵ / ₊₀₀₀ | .368 | 220.98 |
| PS914-10000-375 | 9.124 | 10 | 3/8 | .377 ⁺⁰⁰⁵ / ₊₀₀₀ | 9.124 ⁺⁰⁰⁰ / _{-.005} | 9.999 ⁺⁰⁰⁰ / _{-.100} | 10.000 ⁺⁰⁰⁵ / ₊₀₀₀ | .368 | 253.88 |
| PS914-12000-375 | 11.124 | 12 | 3/8 | .377 ⁺⁰⁰⁵ / ₊₀₀₀ | 11.124 ⁺⁰⁰⁰ / _{-.005} | 11.999 ⁺⁰⁰⁰ / _{-.100} | 12.000 ⁺⁰⁰⁵ / ₊₀₀₀ | .368 | 133.33 |

PISTON SEAL ASSEMBLIES



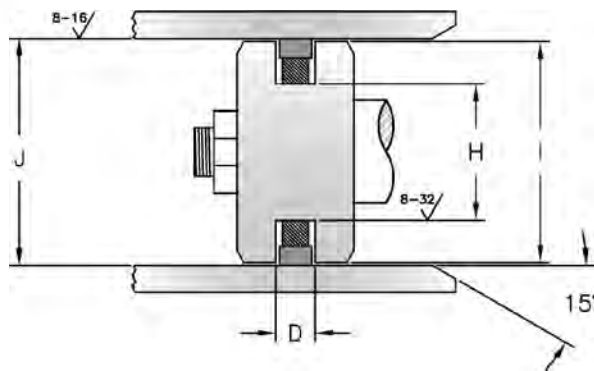
STYLE PS2000 NYLON STEP CUT PISTON SEALS

Some PS2000 piston seals utilize a round instead of a square energizer. Also, piston diameter "I" dimensions are given for pistons without wear rings. Many sizes shown are completely interchangeable with style PS914 piston seals.



HERCULES PART NUMBERS

PS 2027 - 28
 Piston Seal Type of Seal Size



SEAL INFORMATION

| | |
|-------------------|--|
| MATERIAL | GLASS FILLED NYLON SEAL RUBBER ENERGIZER |
| TEMPERATURE RANGE | -40° TO +220° |
| PRESSURE RANGE | 0 TO 5,000 PSI |
| SPEED | 3 FT/SEC |

PISTON SEAL ASSEMBLIES

| Part Number | A Nom. ID | B Nom. OD | C Nom. Ht | D GROOVE WIDTH | H GROOVE DIAMETER | I PISTON DIAMETER | J BORE DIAMETER | List Price |
|-------------|--------------|--------------|--------------|--|--|--|---|------------|
| PS2027-28 | 1.155 | 1-3/4 | .274 | .282 ^{+0.005} / _{+0.000} | 1.155 ^{+0.000} / _{-.005} | 1.749 ^{+0.000} / _{-.052} | 1.750 ^{+0.005} / _{+0.000} | \$12.05 |
| PS2027-32 | 1.462 | 2 | .274 | .282 ^{+0.005} / _{+0.000} | 1.462 ^{+0.000} / _{-.005} | 1.999 ^{+0.000} / _{-.065} | 2.000 ^{+0.005} / _{+0.000} | 18.61 |
| PS2027-36 | 1.712 | 2-1/4 | .274 | .282 ^{+0.005} / _{+0.000} | 1.712 ^{+0.000} / _{-.005} | 2.249 ^{+0.000} / _{-.065} | 2.250 ^{+0.005} / _{+0.000} | 19.80 |
| PS2027-40 | 1.962 | 2-1/2 | .274 | .282 ^{+0.005} / _{+0.000} | 1.962 ^{+0.000} / _{-.005} | 2.499 ^{+0.000} / _{-.065} | 2.500 ^{+0.005} / _{+0.000} | 22.34 |
| PS2031-48 | 2.408 | 3 | .305 | .312 ^{+0.005} / _{+0.000} | 2.408 ^{+0.000} / _{-.005} | 2.999 ^{+0.000} / _{-.080} | 3.000 ^{+0.005} / _{+0.000} | 23.54 |
| PS2027-48 | 2.462 | 3.04 | .274 | .282 ^{+0.005} / _{+0.000} | 2.462 ^{+0.000} / _{-.005} | 3.039 ^{+0.000} / _{-.080} | 3.040 ^{+0.005} / _{+0.000} | 21.81 |
| PS2027-52 | 2.712 | 3-1/4 | .274 | .282 ^{+0.005} / _{+0.000} | 2.712 ^{+0.000} / _{-.005} | 3.249 ^{+0.000} / _{-.080} | 3.250 ^{+0.005} / _{+0.000} | 24.05 |
| PS2037-56 | 2.74 | 3-1/2 | .368 | .375 ^{+0.005} / _{+0.000} | 2.740 ^{+0.000} / _{-.005} | 3.499 ^{+0.000} / _{-.080} | 3.500 ^{+0.005} / _{+0.000} | 25.77 |
| PS2031-56 | 2.908 | 3-1/2 | .305 | .312 ^{+0.005} / _{+0.000} | 2.908 ^{+0.000} / _{-.005} | 3.499 ^{+0.000} / _{-.080} | 3.500 ^{+0.005} / _{+0.000} | 25.77 |
| PS2027-56 | 2.942 | 3-1/2 | .274 | .282 ^{+0.005} / _{+0.000} | 2.942 ^{+0.000} / _{-.005} | 3.499 ^{+0.000} / _{-.080} | 3.500 ^{+0.005} / _{+0.000} | 23.36 |
| PS2031-64 | 3.408 | 4 | .305 | .312 ^{+0.005} / _{+0.000} | 3.408 ^{+0.000} / _{-.005} | 3.999 ^{+0.000} / _{-.080} | 4.000 ^{+0.005} / _{+0.000} | 27.30 |
| PS2027-64 | 3.462 | 4 | .274 | .282 ^{+0.005} / _{+0.000} | 3.462 ^{+0.000} / _{-.005} | 3.999 ^{+0.000} / _{-.080} | 4.000 ^{+0.005} / _{+0.000} | 25.07 |
| PS2031-72 | 3.908 | 4-1/2 | .305 | .312 ^{+0.005} / _{+0.000} | 3.908 ^{+0.000} / _{-.005} | 4.499 ^{+0.000} / _{-.080} | 4.500 ^{+0.005} / _{+0.000} | 34.08 |
| PS2027-72 | 3.962 | 4-1/2 | .274 | .282 ^{+0.005} / _{+0.000} | 3.962 ^{+0.000} / _{-.005} | 4.499 ^{+0.000} / _{-.080} | 4.500 ^{+0.005} / _{+0.000} | 26.60 |
| PS2037-80 | 4.24 | 5 | .368 | .375 ^{+0.005} / _{+0.000} | 4.240 ^{+0.000} / _{-.005} | 4.999 ^{+0.000} / _{-.080} | 5.000 ^{+0.005} / _{+0.000} | 36.14 |

NORTH AMERICA
 PHONE 1-800-777-5617
 FAX 1-800-759-6391

SALES OFFICE HOURS
 8 A.M. TO 7:30 P.M. EASTERN TIME
 www.HerculesUS.com

WORLDWIDE
 PHONE 1-727-796-1300
 FAX 1-727-797-8849



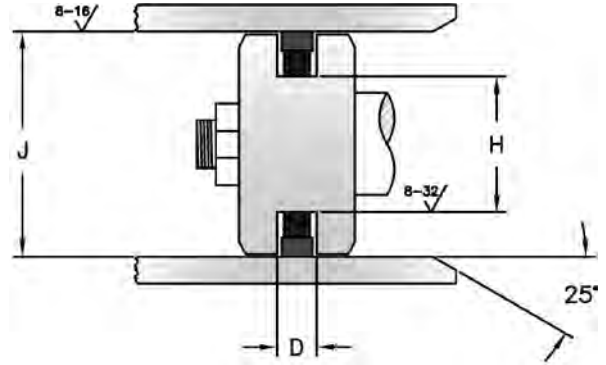
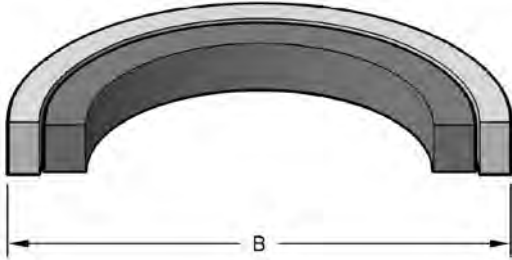
STYLE PS2000 NYLON STEP CUT PISTON SEALS

| Part Number | A Nom. ID | B Nom. OD | C Nom. Ht | D GROOVE WIDTH | H GROOVE DIAMETER | I PISTON DIAMETER | J BORE DIAMETER | List Price |
|-------------|--------------|--------------|--------------|--|---|---|---|---------------|
| PS2031-80 | 4.408 | 5 | .305 | .312 ^{+0.005} / _{+0.000} | 4.408 ^{+0.000} / _{-0.005} | 4.999 ^{+0.000} / _{-0.080} | 5.000 ^{+0.005} / _{+0.000} | 36.14 |
| PS2037-88 | 4.74 | 5-1/2 | .368 | .375 ^{+0.005} / _{+0.000} | 4.740 ^{+0.000} / _{-0.005} | 5.499 ^{+0.000} / _{-0.100} | 5.500 ^{+0.005} / _{+0.000} | 39.25 |
| PS2031-88 | 4.908 | 5-1/2 | .305 | .312 ^{+0.005} / _{+0.000} | 4.908 ^{+0.000} / _{-0.005} | 5.499 ^{+0.000} / _{-0.100} | 5.500 ^{+0.005} / _{+0.000} | 39.25 |
| PS2037-96 | 5.24 | 6 | .368 | .375 ^{+0.005} / _{+0.000} | 5.240 ^{+0.000} / _{-0.005} | 5.999 ^{+0.000} / _{-0.100} | 6.000 ^{+0.005} / _{+0.000} | 33.43 |
| PS2037-100 | 5.49 | 6-1/4 | .368 | .375 ^{+0.005} / _{+0.000} | 5.490 ^{+0.000} / _{-0.005} | 6.249 ^{+0.000} / _{-0.100} | 6.250 ^{+0.005} / _{+0.000} | 139.05 |
| PS2037-104 | 5.74 | 6-1/2 | .368 | .375 ^{+0.005} / _{+0.000} | 5.740 ^{+0.000} / _{-0.005} | 6.499 ^{+0.000} / _{-0.100} | 6.500 ^{+0.005} / _{+0.000} | 63.15 |
| PS2037-112 | 6.24 | 7 | .368 | .375 ^{+0.005} / _{+0.000} | 6.240 ^{+0.000} / _{-0.005} | 6.999 ^{+0.000} / _{-0.100} | 7.000 ^{+0.005} / _{+0.000} | 82.63 |

PISTON SEAL ASSEMBLIES

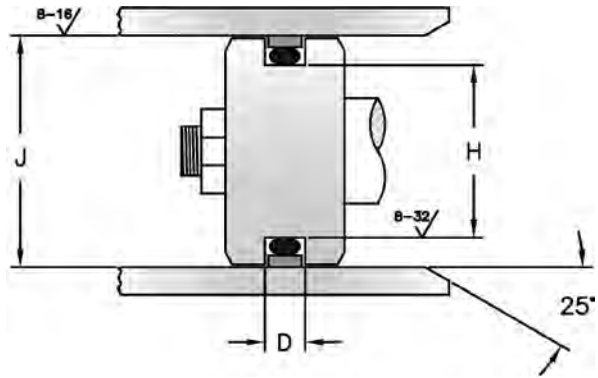
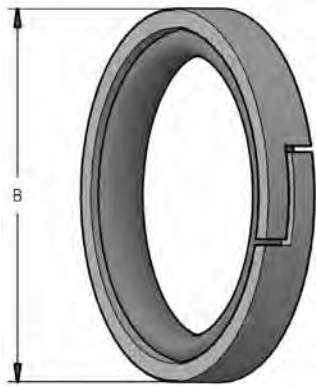
CATERPILLAR® 2 PIECE PISTON SEALS

NOTE: Caterpillar® part numbers are used as a reference only. We do not imply that these parts are original equipment parts.



| Part Number | B Nom. OD | D GROOVE WIDTH | H GROOVE DIAMETER | J BORE DIAMETER | List Price |
|-------------|--------------|----------------------|----------------------|--------------------|---------------|
| CTC-5J7004A | 2 | .192 ±.004 | 1.625 ±.003 | 2.000 | \$10.50 |
| CTC-8J6213A | 2-1/2 | .192 ±.004 | 2.125 ±.003 | 2.500 | 12.50 |
| CTC-5J7010A | 2-3/4 | .192 ±.004 | 2.375 ±.003 | 2.750 | 19.09 |
| CTC-6J1972A | 3 | .192 ±.004 | 2.460 ±.003 | 3.000 | 14.06 |
| CTC-6J0793A | 3-1/4 | .192 ±.004 | 2.710 ±.003 | 3.250 | 19.95 |
| CTC-5J7013 | 3-1/2 | .192 ±.004 | 2.960 ±.003 | 3.500 | 14.86 |
| CTC-5J7013A | 3-1/2 | .192 ±.004 | 2.960 ±.003 | 3.500 | 14.86 |
| CTC-5J8011A | 3-3/4 | .192 ±.004 | 3.210 ±.003 | 3.750 | 25.39 |
| CTC-5J5402A | 4 | .252 ±.004 | 3.335 ±.003 | 4.000 | 19.75 |
| CTC-5J7854A | 4-1/4 | .252 ±.004 | 3.585 ±.003 | 4.250 | 21.33 |
| CTC-5J4986A | 4-1/2 | .252 ±.004 | 3.835 ±.003 | 4.500 | 24.65 |
| CTC-5J4987A | 4-3/4 | .252 ±.004 | 4.085 ±.003 | 4.750 | 26.94 |
| CTC-5J5020A | 5 | .379 ±.004 | 4.225 ±.003 | 5.000 | 29.19 |
| CTC-5J7234 | 5-1/4 | .379 ±.004 | 4.475 ±.003 | 5.250 | 32.60 |
| CTC-5J7234A | 5-1/4 | .379 ±.004 | 4.475 ±.003 | 5.250 | 34.80 |
| CTC-5J4988 | 5-1/2 | .379 ±.004 | 4.725 ±.003 | 5.500 | 28.53 |
| CTC-5J4988A | 5-1/2 | .379 ±.004 | 4.725 ±.003 | 5.500 | 34.48 |
| CTC-9J4981 | 5-3/4 | .379 ±.004 | 4.975 ±.003 | 5.750 | 40.05 |
| CTC-5J4989A | 6 | .379 ±.004 | 5.095 ±.003 | 6.000 | 32.98 |
| CTC-5J4990A | 6-1/4 | .379 ±.004 | 5.345 ±.003 | 6.250 | 28.89 |
| CTC-5J4991A | 6-1/2 | .379 ±.004 | 5.595 ±.003 | 6.500 | 37.85 |
| CTC-5J4997A | 7 | .379 ±.004 | 6.095 ±.003 | 7.000 | 41.03 |
| CTC-5J4993A | 7-1/4 | .379 ±.004 | 6.345 ±.003 | 7.250 | 45.77 |
| CTC-9J7117 | 7-1/2 | .379 ±.002 | 6.595 ±.003 | 7.500 | 71.48 |
| CTC-5J5559 | 8-1/4 | .379 ±.004 | 7.255 ±.003 | 8.250 | 39.54 |
| CTC-5J5559A | 8-1/4 | .379 ±.004 | 7.255 ±.003 | 8.250 | 39.54 |
| CTC-6J9385 | 8-1/2 | .379 ±.004 | 7.505 ±.003 | 8.500 | 47.95 |
| CTC-6J9385A | 8-1/2 | .379 ±.004 | 7.505 ±.003 | 8.500 | 51.75 |
| CTC-5J7019A | 9-1/4 | .379 ±.004 | 8.255 ±.003 | 9.250 | 50.53 |

CATERPILLAR® 2 PIECE STEP-CUT PISTON SEALS



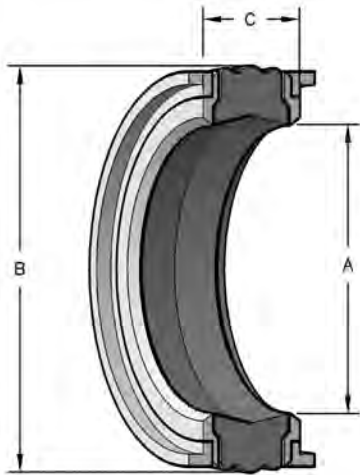
PISTON SEAL ASSEMBLIES

| Part Number | B Nom. OD | D GROOVE WIDTH | H GROOVE DIAMETER | J BORE DIAMETER | List Price |
|-------------|--------------|----------------------|----------------------|--------------------|---------------|
| CTC-1665295 | 2-3/4 | .192 ±.004 | | 2.750 | \$33.85 |
| CTC-9X7337 | 3 | .192 ±.004 | 2.460 ±.003 | 3.000 | 19.63 |
| CTC-4T8054 | 3-1/2 | .192 ±.004 | 2.960 ±.003 | 3.500 | 25.46 |
| CTC-2613644 | 3-3/4 | .192 ±.004 | 3.210 ±.003 | 3.750 | 29.28 |
| CTC-9X7274 | 3-3/4 | .192 ±.004 | 3.210 ±.003 | 3.750 | 31.60 |
| CTC-8C9160 | 4 | .252 ±.004 | 3.335 ±.003 | 4.000 | 32.86 |
| CTC-8C9164 | 4-1/4 | .252 ±.004 | 3.585 ±.003 | 4.250 | 30.89 |
| CTC-4T5172 | 4-1/2 | .502 ±.004 | 3.835 ±.003 | 4.500 | 48.55 |
| CTC-9X7269 | 4-1/2 | .252 ±.004 | 3.835 ±.003 | 4.500 | 48.14 |
| CTC-4T8588 | 4-3/4 | .252 ±.004 | 4.090 ±.003 | 4.750 | 56.41 |
| CTC-8T1787 | 5 | .629 ±.004 | 4.225 ±.003 | 5.000 | 63.56 |
| CTC-9X7264 | 5 | .379 ±.004 | 4.225 ±.003 | 5.000 | 45.72 |
| CTC-8T0763 | 5-1/4 | .379 ±.004 | 4.475 ±.003 | 5.250 | 36.89 |
| CTC-1546744 | 5-3/8 | .379 ±.004 | 4.600 ±.003 | 5.375 | 50.56 |
| CTC-4T5173 | 5-1/2 | .629 ±.004 | 4.725 ±.003 | 5.500 | 39.32 |
| CTC-6E0465 | 5-1/2 | .379 ±.004 | 4.725 ±.003 | 5.500 | 49.64 |
| CTC-2462896 | 5-3/4 | | | 5.750 | 62.17 |
| CTC-4T4144 | 6 | .629 ±.004 | 5.095 ±.003 | 6.000 | 42.69 |
| CTC-8T1788 | 6-1/4 | .629 ±.002 | 5.345 ±.003 | 6.250 | 57.05 |
| CTC-4T8695 | 6-1/2 | .629 ±.004 | 5.595 ±.003 | 6.500 | 38.15 |
| CTC-8T1789 | 7 | .629 ±.004 | 6.095 ±.003 | 7.000 | 41.90 |
| CTC-8T1790 | 7-1/4 | .629 ±.004 | 6.345 ±.003 | 7.250 | 66.38 |
| CTC-8T1792 | 7-3/4 | .629 ±.004 | 6.845 ±.003 | 7.750 | 47.31 |
| CTC-8T1793 | 8-1/4 | .629 ±.004 | 7.255 ±.003 | 8.250 | 60.34 |
| CTC-9T0119 | 8-1/2 | .629 ±.004 | 7.505 ±.003 | 8.500 | 57.09 |
| CTC-1921435 | 9-1/4 | .379 ±.002 | 8.255 ±.003 | 9.250 | 101.23 |
| CTC-4T4143 | 9-1/4 | .379 ±.002 | 8.255 ±.003 | 9.250 | 101.23 |
| CTC-1723542 | 10 | .690 ±.004 | 8.880 ±.003 | 10.000 | 90.01 |
| CTC-8T1794 | 10 | .690 ±.004 | 8.880 ±.003 | 10.000 | 90.01 |
| CTC-8T1795 | 10-1/4 | .690 ±.004 | 9.130 ±.003 | 10.250 | 108.43 |
| CTC-8T1796 | 10-1/2 | .690 ±.004 | 9.380 ±.003 | 10.500 | 97.93 |
| CTC-8T1797 | 11-1/2 | .690 ±.004 | 10.380 ±.003 | 11.500 | 115.32 |
| CTC-1921453 | 12-1/2 | .690 ±.004 | 11.380 ±.003 | 12.500 | 173.34 |

FORMERLY LISTED SEALS ARE AVAILABLE ONLINE AT WWW.HERCULESUS.COM
OR BY CONTACTING YOUR REGIONAL HERCULES SALES TEAM.

STYLE PSA PISTON SEALS

Designed to fit on one or two piece pistons, this piston seal employs a nitrile seal for high sealability, nylon split back-ups for extrusion resistance, and two split bearing rings. No further support bearings are required.

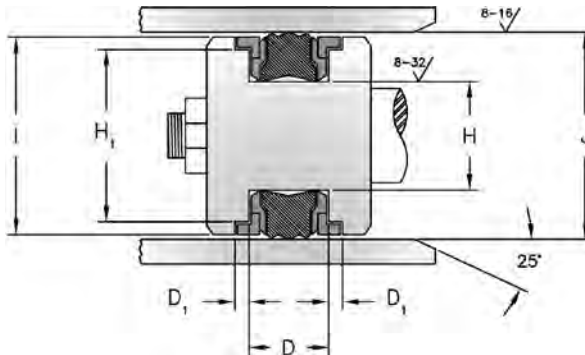


HERCULES PART NUMBERS

PSA - 1750
Prefix Size

SEAL INFORMATION

| | |
|-------------------|--|
| MATERIAL | 90A NITRILE SEAL NYLON BACK-UP NYLON BEARING |
| TEMPERATURE RANGE | -22° TO +212° F |
| PRESSURE RANGE | 0 TO 6,000 PSI |
| SPEED | 1.5 Ft/Sec. |



| Part Number | A Nom. ID | B Nom. OD | C Nom. Ht | D SEAL GROOVE WIDTH | D ₁ BEARING GROOVE WIDTH | H GROOVE DIAMETER | H ₁ BEARING GROOVE DIAMETER | I PISTON DIAMETER | J BORE DIAMETER | List Price |
|-------------|-----------|-----------|-----------|--|--|-------------------|--|-------------------|---|------------|
| PSA-1750 | 1-1/8 | 1-3/4 | 3/4 | .750 ^{+0.035} / _{+0.025} | .250 ^{+0.005} / _{+0.000} | 1.125 ±.003 | 1.569 ^{+0.000} / _{-.002} | 1.698 ±.003 | 1.750 ^{+0.0024} / _{+0.0000} | \$9.42 |
| PSA-2000 | 1-3/8 | 2 | 3/4 | .750 ^{+0.035} / _{+0.025} | .250 ^{+0.005} / _{+0.000} | 1.375 ±.003 | 1.820 ^{+0.000} / _{-.002} | 1.948 ±.004 | 2.000 ^{+0.0029} / _{+0.0000} | 10.33 |
| PSA-2250 | 1-5/8 | 2-1/4 | 3/4 | .750 ^{+0.035} / _{+0.025} | .250 ^{+0.005} / _{+0.000} | 1.625 ±.003 | 2.069 ^{+0.000} / _{-.003} | 2.197 ±.004 | 2.250 ^{+0.0029} / _{+0.0000} | 20.27 |
| PSA-2375 | 1-3/4 | 2-3/8 | 3/4 | .750 ^{+0.035} / _{+0.025} | .250 ^{+0.005} / _{+0.000} | 1.750 ±.003 | 2.194 ^{+0.000} / _{-.003} | 2.322 ±.004 | 2.375 ^{+0.0029} / _{+0.0000} | 13.14 |
| PSA-2500 | 1-7/8 | 2-1/2 | 3/4 | .750 ^{+0.035} / _{+0.025} | .250 ^{+0.005} / _{+0.000} | 1.875 ±.003 | 2.318 ^{+0.000} / _{-.003} | 2.446 ±.004 | 2.500 ^{+0.0029} / _{+0.0000} | 14.57 |
| PSA-2750 | 2 | 2-3/4 | .943 | .943 ^{+0.035} / _{+0.025} | .250 ^{+0.005} / _{+0.000} | 2.000 ±.004 | 2.522 ^{+0.000} / _{-.003} | 2.685 ±.004 | 2.750 ^{+0.0029} / _{+0.0000} | 24.23 |
| PSA-3000 | 2-1/4 | 3 | .943 | .943 ^{+0.035} / _{+0.025} | .250 ^{+0.005} / _{+0.000} | 2.250 ±.004 | 2.771 ^{+0.000} / _{-.003} | 2.935 ±.004 | 3.000 ^{+0.0029} / _{+0.0000} | 15.61 |
| PSA-3250 | 2-1/2 | 3-1/4 | .943 | .943 ^{+0.035} / _{+0.025} | .250 ^{+0.005} / _{+0.000} | 2.500 ±.004 | 3.021 ^{+0.000} / _{-.003} | 3.184 ±.004 | 3.250 ^{+0.0034} / _{+0.0000} | 26.98 |
| PSA-3250A | 2-5/8 | 3-1/4 | .772 | .772 ^{+0.035} / _{+0.025} | .245 ^{+0.005} / _{+0.000} | 2.625 ±.004 | 3.021 ^{+0.000} / _{-.003} | 3.184 ±.004 | 3.250 ^{+0.0034} / _{+0.0000} | 27.34 |
| PSA-3500 | 2-3/4 | 3-1/2 | .943 | .943 ^{+0.035} / _{+0.025} | .250 ^{+0.005} / _{+0.000} | 2.750 ±.004 | 3.270 ^{+0.000} / _{-.003} | 3.434 ±.004 | 3.500 ^{+0.0034} / _{+0.0000} | 17.02 |
| PSA-3500A | 2.85 | 3-1/2 | .772 | .772 ^{+0.035} / _{+0.025} | .295 ^{+0.005} / _{+0.000} | 2.850 ±.004 | 3.272 ^{+0.000} / _{-.003} | 3.460 ±.004 | 3.500 ^{+0.0034} / _{+0.0000} | 26.82 |



STYLE PSA PISTON SEALS

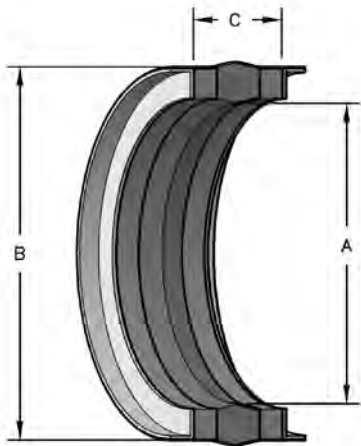
| Part Number | A Nom. ID | B Nom. OD | C Nom. Ht | D SEAL GROOVE WIDTH | D ₁ BEARING GROOVE WIDTH | H GROOVE DIAMETER | H ₁ BEARING GROOVE DIAMETER | I PISTON DIAMETER | J BORE DIAMETER | List Price |
|-------------|-----------|-----------|-----------|---|--|-------------------|--|-------------------|---|------------|
| PSA-3750 | 3 | 3-3/4 | .943 | .943 ^{+0.035} / _{+0.025} | .250 ^{+0.005} / _{+0.000} | 3.000 ±.004 | 3.520 ^{+0.000} / _{-.003} | 3.683 ±.004 | 3.750 ^{+0.0034} / _{+0.0000} | 30.33 |
| PSA-4000 | 3-1/4 | 4 | .943 | .943 ^{+0.035} / _{+0.025} | .250 ^{+0.005} / _{+0.000} | 3.250 ±.004 | 3.770 ^{+0.000} / _{-.003} | 3.933 ±.004 | 4.000 ^{+0.0034} / _{+0.0000} | 20.00 |
| PSA-4000A | 3-1/4 | 4 | 1-3/8 | 1.375 ^{+0.035} / _{+0.025} | .375 ^{+0.005} / _{+0.000} | 3.250 ±.004 | 3.709 ^{+0.000} / _{-.003} | 3.933 ±.004 | 4.000 ^{+0.0034} / _{+0.0000} | 54.81 |
| PSA-4000B | 3-3/8 | 4 | .772 | .772 ^{+0.035} / _{+0.025} | .245 ^{+0.005} / _{+0.000} | 3.375 ±.004 | 3.772 ^{+0.000} / _{-.003} | 3.960 ±.004 | 4.000 ^{+0.0034} / _{+0.0000} | 34.17 |
| PSA-4500 | 3-1/2 | 4-1/2 | 1-1/4 | 1.250 ^{+0.035} / _{+0.025} | .250 ^{+0.005} / _{+0.000} | 3.500 ±.004 | 4.229 ^{+0.000} / _{-.003} | 4.422 ±.005 | 4.500 ^{+0.0034} / _{+0.0000} | 40.37 |
| PSA-4500A | 3-1/2 | 4-1/2 | 1-3/4 | 1.750 ^{+0.035} / _{+0.025} | .500 ^{+0.005} / _{+0.000} | 3.500 ±.004 | 4.180 ^{+0.000} / _{-.003} | 4.400 ±.004 | 4.500 ^{+0.0034} / _{+0.0000} | 67.73 |
| PSA-5000 | 4 | 5 | 1-1/4 | 1.250 ^{+0.035} / _{+0.025} | .400 ^{+0.005} / _{+0.000} | 4.000 ±.004 | 4.709 ^{+0.000} / _{-.004} | 4.902 ±.005 | 5.000 ^{+0.0039} / _{+0.0000} | 50.29 |
| PSA-5000A | 4-1/4 | 5 | .96 | .960 ^{+0.035} / _{+0.025} | .245 ^{+0.005} / _{+0.000} | 4.250 ±.004 | 4.772 ^{+0.000} / _{-.004} | 4.960 ±.005 | 5.000 ^{+0.0039} / _{+0.0000} | 47.22 |
| PSA-6000 | 5 | 6 | 1-1/4 | 1.250 ^{+0.035} / _{+0.025} | .375 ^{+0.005} / _{+0.000} | 5.000 ±.004 | 5.709 ^{+0.000} / _{-.004} | 5.902 ±.005 | 6.000 ^{+0.0039} / _{+0.0000} | 62.16 |
| PSA-6000A | 5 | 6 | 1-3/4 | 1.750 ^{+0.035} / _{+0.025} | .500 ^{+0.005} / _{+0.000} | 5.000 ±.004 | 5.675 ^{+0.000} / _{-.004} | 5.900 ±.005 | 6.000 ^{+0.0039} / _{+0.0000} | 79.20 |

PISTON SEAL ASSEMBLIES



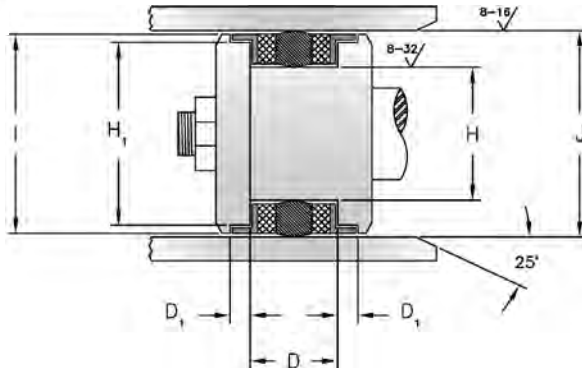
STYLE PSA-58 PISTON SEALS

Style PSA-58 piston seals combine a heavy duty, fabric reinforced seal with two polyacetal "L" bearings. This construction allows the seal to withstand pressures up to 5,000 PSI. "L" bearings also react to pressure to prevent extrusion and support the piston. For 2-piece pistons.



HERCULES PART NUMBERS

PSA - 58 - 1000
 Prefix Type of Seal Size



SEAL INFORMATION

| | |
|-------------------|---|
| MATERIAL | FABRIC REINFORCED NITRILE SEAL POLYACETAL ANTI- EXTRUSION RING |
| TEMPERATURE RANGE | -22° TO +212° F |
| PRESSURE RANGE | 0 TO 5,000 PSI |
| SPEED | 1.5 Ft/Sec. |

| Part Number | A Nom. ID | B Nom. OD | C Nom. Ht | D SEAL GROOVE WIDTH | D ₁ BEARING GROOVE WIDTH | H GROOVE DIAMETER | H ₁ BEARING GROOVE DIAMETER | I PISTON DIAMETER | J BORE DIAMETER | List Price |
|--------------|-----------------|-----------------|-----------------|--|--|-------------------------|---|-------------------------|---|---------------|
| PSA-58-1000 | 5/8 | 1 | 19/32 | .596 ^{+0.035} / _{+0.025} | .182 ^{+0.005} / _{+0.000} | .625 ±.0022 | .865 ±.002 | .968 | 1.000 ^{+0.0051} / _{+0.0000} | \$ 14.57 |
| PSA-58-1250 | 3/4 | 1-1/4 | 3/4 | .750 ^{+0.035} / _{+0.025} | .250 ^{+0.000} / _{-0.005} | .750 ±.0026 | 1.115 ±.002 | 1.218 | 1.250 ^{+0.0063} / _{+0.0000} | 17.42 |
| PSA-58-1375 | 7/8 | 1-3/8 | 3/4 | .750 ^{+0.035} / _{+0.025} | .250 ^{+0.000} / _{-0.005} | .875 ±.0026 | 1.241 ±.002 | 1.343 | 1.375 ^{+0.0063} / _{+0.0000} | 19.76 |
| PSA-58-1500 | 1 | 1-1/2 | 3/4 | .750 ^{+0.035} / _{+0.025} | .250 ^{+0.000} / _{-0.005} | 1.000 ±.0026 | 1.365 ±.002 | 1.468 | 1.500 ^{+0.0063} / _{+0.0000} | 27.84 |
| PSA-58-1625 | 1 | 1-5/8 | 15/16 | .937 ^{+0.035} / _{+0.025} | .250 ^{+0.000} / _{-0.005} | 1.000 ±.0026 | 1.428 ±.002 | 1.562 | 1.625 ^{+0.0063} / _{+0.0000} | 45.52 |
| PSA-58-1750 | 1-1/8 | 1-3/4 | 15/16 | .937 ^{+0.035} / _{+0.025} | .250 ^{+0.000} / _{-0.005} | 1.125 ±.0026 | 1.552 ±.002 | 1.687 | 1.750 ^{+0.0063} / _{+0.0000} | 32.34 |
| PSA-58-1875 | 1-1/4 | 1-7/8 | 15/16 | .937 ^{+0.035} / _{+0.025} | .250 ^{+0.000} / _{-0.005} | 1.250 ±.0031 | 1.679 ±.002 | 1.835 | 1.875 ^{+0.0063} / _{+0.0000} | 26.32 |
| PSA-58-2000B | 1-3/8 | 2 | 3/4 | .750 ^{+0.035} / _{+0.025} | .250 ^{+0.005} / _{+0.000} | 1.375 ±.0031 | 1.802 ±.002 | 1.937 | 2.000 ^{+0.0075} / _{+0.0000} | 18.18 |
| PSA-58-2000 | 1-3/8 | 2 | 15/16 | .937 ^{+0.035} / _{+0.025} | .250 ^{+0.000} / _{-0.005} | 1.375 ±.0031 | 1.802 ±.002 | 1.937 | 2.000 ^{+0.0075} / _{+0.0000} | 33.77 |
| PSA-58-2250 | 1-5/8 | 2-1/4 | 15/16 | .937 ^{+0.035} / _{+0.025} | .250 ^{+0.000} / _{-0.005} | 1.625 ±.0031 | 2.052 ±.002 | 2.187 | 2.250 ^{+0.0075} / _{+0.0000} | 37.48 |
| PSA-58-2375 | 1-3/4 | 2-3/8 | 15/16 | .937 ^{+0.035} / _{+0.025} | .250 ^{+0.000} / _{-0.005} | 1.750 ±.0031 | 2.177 ±.002 | 2.317 | 2.375 ^{+0.0075} / _{+0.0000} | 24.00 |
| PSA-58-2500 | 1-7/8 | 2-1/2 | 15/16 | .937 ^{+0.035} / _{+0.025} | .250 ^{+0.000} / _{-0.005} | 1.875 ±.0031 | 2.305 ±.002 | 2.437 | 2.500 ^{+0.0075} / _{+0.0000} | 41.99 |

STYLE PSA-58 PISTON SEALS

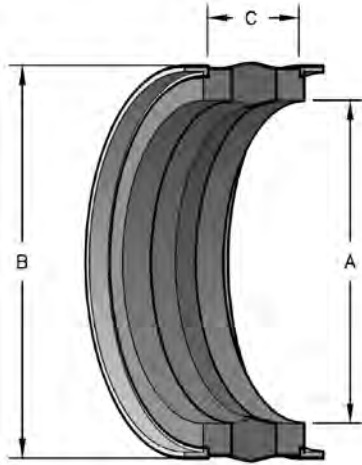
PISTON SEAL ASSEMBLIES

| Part Number | A Nom. ID | B Nom. OD | C Nom. Ht | D SEAL GROOVE WIDTH | D ₁ BEARING GROOVE WIDTH | H GROOVE DIAMETER | H ₁ BEARING GROOVE DIAMETER | I PISTON DIAMETER | J BORE DIAMETER | List Price |
|--------------|-----------|-----------|-----------|---|--|-------------------|--|-------------------|--|------------|
| PSA-58-2625 | 2 | 2-5/8 | 15/16 | .937 ^{+0.035} / _{+0.025} | .250 ^{+0.000} / _{-.005} | 2.000 ±0.037 | 2.428 ±0.002 | 2.562 | 2.625 ^{+0.0075} / _{+0.0000} | 22.82 |
| PSA-58-2750 | 2 | 2-3/4 | 1-3/16 | 1.187 ^{+0.035} / _{+0.025} | .250 ^{+0.000} / _{-.005} | 2.000 ±0.037 | 2.480 ±0.002 | 2.685 | 2.750 ^{+0.0075} / _{+0.0000} | 48.83 |
| PSA-58-3000B | 2-1/4 | 3 | 27/32 | .843 ^{+0.035} / _{+0.025} | .250 ^{+0.000} / _{-.005} | 2.250 ±0.037 | 2.732 ±0.002 | 2.938 | 3.000 ^{+0.0075} / _{+0.0000} | 29.39 |
| PSA-58-3000A | 2-1/4 | 3 | 15/16 | .937 ^{+0.035} / _{+0.025} | .250 ^{+0.000} / _{-.005} | 2.250 ±0.037 | 2.772 ±0.002 | 2.938 | 3.000 ^{+0.0075} / _{+0.0000} | 31.46 |
| PSA-58-3000 | 2-1/4 | 3 | 1-3/16 | 1.187 ^{+0.035} / _{+0.025} | .250 ^{+0.005} / _{+0.000} | 2.250 ±0.037 | 2.735 ±0.002 | 2.937 | 3.000 ^{+0.0075} / _{+0.0000} | 51.44 |
| PSA-58-3250 | 2-1/2 | 3-1/4 | 1-3/16 | 1.187 ^{+0.035} / _{+0.025} | .250 ^{+0.005} / _{+0.000} | 2.500 ±0.037 | 2.985 ±0.002 | 3.187 | 3.250 ^{+0.0087} / _{+0.0000} | 53.55 |
| PSA-58-3500 | 2-3/4 | 3-1/2 | 1-3/16 | 1.187 ^{+0.035} / _{+0.025} | .250 ^{+0.005} / _{+0.000} | 2.750 ±0.037 | 3.235 ±0.002 | 3.437 | 3.500 ^{+0.0087} / _{+0.0000} | 56.95 |
| PSA-58-3750 | 3 | 3-3/4 | 1-3/16 | 1.187 ^{+0.035} / _{+0.025} | .250 ^{+0.005} / _{+0.000} | 3.000 ±0.037 | 3.485 ±0.002 | 3.687 | 3.750 ^{+0.0087} / _{+0.0000} | 59.46 |
| PSA-58-4000 | 3-1/4 | 4 | 1-3/16 | 1.187 ^{+0.035} / _{+0.025} | .250 ^{+0.000} / _{-.005} | 3.250 ±0.043 | 3.732 ±0.002 | 3.937 | 4.000 ^{+0.0087} / _{+0.0000} | 66.51 |
| PSA-58-4250 | 3-1/2 | 4-1/4 | 1-3/16 | 1.187 ^{+0.035} / _{+0.025} | .250 ^{+0.005} / _{+0.000} | 3.500 ±0.043 | 3.982 ±0.002 | 4.187 | 4.250 ^{+0.0087} / _{+0.0000} | 46.83 |
| PSA-58-4500 | 3-1/2 | 4-1/2 | 1-1/2 | 1.500 ^{+0.035} / _{+0.025} | .375 ^{+0.000} / _{-.005} | 3.500 ±0.043 | 4.232 ±0.002 | 4.437 | 4.500 ^{+0.0087} / _{+0.0000} | 79.65 |
| PSA-58-4750 | 3-3/4 | 4-3/4 | 1-1/2 | 1.500 ^{+0.035} / _{+0.025} | .375 ^{+0.000} / _{-.005} | 3.750 ±0.043 | 4.478 ±0.002 | 4.671 | 4.750 ^{+0.0098} / _{+0.0000} | 81.44 |
| PSA-58-5000 | 4 | 5 | 1-1/2 | 1.500 ^{+0.035} / _{+0.025} | .375 ^{+0.005} / _{+0.000} | 4.000 ±0.043 | 4.735 ±0.002 | 4.937 | 5.000 ^{+0.0098} / _{+0.0000} | 91.42 |
| PSA-58-5250 | 4-1/4 | 5-1/4 | 1-1/2 | 1.500 ^{+0.035} / _{+0.025} | .375 ^{+0.000} / _{-.005} | 4.250 ±0.043 | 4.982 ±0.002 | 5.187 | 5.250 ^{+0.0098} / _{+0.0000} | 51.08 |
| PSA-58-5500 | 4-1/2 | 5-1/2 | 1-1/2 | 1.500 ^{+0.035} / _{+0.025} | .375 ^{+0.005} / _{+0.000} | 4.500 ±0.043 | 5.236 ±0.002 | 5.437 | 5.500 ^{+0.0098} / _{+0.0000} | 97.46 |
| PSA-58-5750 | 4-3/4 | 5-3/4 | 1-1/2 | 1.500 ^{+0.035} / _{+0.025} | .375 ^{+0.000} / _{-.005} | 4.750 ±0.049 | 5.484 ±0.002 | 5.687 | 5.750 ^{+0.0098} / _{+0.0000} | 178.34 |
| PSA-58-6000 | 5 | 6 | 1-1/2 | 1.500 ^{+0.035} / _{+0.025} | .375 ^{+0.000} / _{-.005} | 5.000 ±0.049 | 5.732 ±0.002 | 5.937 | 6.000 ^{+0.0098} / _{+0.0000} | 103.78 |
| PSA-58-6500 | 5-1/2 | 6-1/2 | 1-1/2 | 1.500 ^{+0.035} / _{+0.025} | .375 ^{+0.005} / _{+0.000} | 5.500 ±0.049 | 6.236 ±0.002 | 6.437 | 6.500 ^{+0.0098} / _{+0.0000} | 154.66 |
| PSA-58-7000 | 6 | 7 | 1-1/2 | 1.500 ^{+0.035} / _{+0.025} | .375 ^{+0.005} / _{+0.000} | 6.000 ±0.049 | 6.736 ±0.002 | 6.937 | 7.000 ^{+0.0098} / _{+0.0000} | 164.03 |
| PSA-58-8000 | 7 | 8 | 1-1/4 | 1.250 ^{+0.035} / _{+0.025} | .375 ^{+0.000} / _{-.005} | 7.000 ±0.049 | 7.740 ±0.002 | 7.937 | 8.000 ^{+0.0114} / _{+0.0000} | 316.10 |
| PSA-58-10000 | 9 | 10 | 1-1/4 | 1.250 ^{+0.035} / _{+0.025} | .375 ^{+0.000} / _{-.005} | 9.000 ±0.057 | 9.740 ±0.002 | 9.937 | 10.000 ^{+0.0126} / _{+0.0000} | 411.50 |



STYLE PSA-59 PISTON SEALS

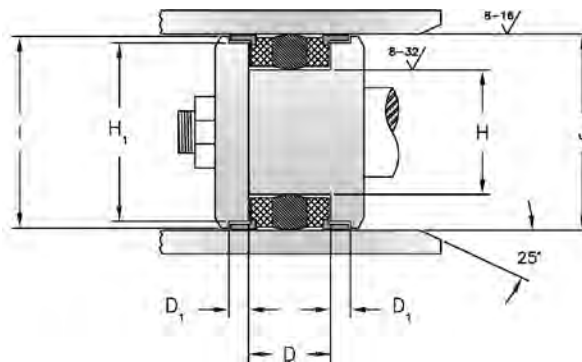
This style is designed for 2 piece piston. The seal is a molded Nitrile rubber element with bonded rubberized fabric reinforcement and two anti-extrusion polyacetal bearings.



HERCULES PART NUMBERS

PSA - 59 - 1000A
 Prefix Type of Seal Size

| SEAL INFORMATION | |
|-------------------|---|
| MATERIAL | FABRIC REINFORCED NITRILE SEAL POLYACETAL ANTI- EXTRUSION RING |
| TEMPERATURE RANGE | -22° TO +212° F |
| PRESSURE RANGE | 0 TO 5,000 PSI |
| SPEED | 1.5 Ft/Sec. |



| Part Number | A Nom. ID | B Nom. OD | C Nom. Ht | D SEAL GROOVE WIDTH | D ₁ BEARING GROOVE WIDTH | H GROOVE DIAMETER | H ₁ BEARING GROOVE DIAMETER | I PISTON DIAMETER | J BORE DIAMETER | List Price |
|--------------|-----------------|-----------------|-----------------|---|--|-------------------------|---|-------------------------|---|---------------|
| PSA-59-1000A | 5/8 | 1 | .468 | .468 ^{+0.035} / _{+0.025} | .250 ^{+0.005} / _{+0.000} | .625 ±.003 | .883 ^{+0.000} / _{-.002} | .964 ±.003 | 1.000 ^{+0.006} / _{+0.000} | \$16.64 |
| PSA-59-1500 | 1 | 1-1/2 | 5/8 | .625 ^{+0.035} / _{+0.025} | .250 ^{+0.005} / _{+0.000} | 1.000 ±.003 | 1.360 ^{+0.000} / _{-.002} | 1.458 ±.003 | 1.500 ^{+0.006} / _{+0.000} | 15.61 |
| PSA-59-1625 | 1-1/8 | 1-5/8 | 5/8 | .625 ^{+0.035} / _{+0.025} | .250 ^{+0.005} / _{+0.000} | 1.125 ±.003 | 1.485 ^{+0.000} / _{-.002} | 1.583 ±.003 | 1.625 ^{+0.006} / _{+0.000} | 18.70 |
| PSA-59-1750 | 1-1/8 | 1-3/4 | 3/4 | .750 ^{+0.035} / _{+0.025} | .250 ^{+0.005} / _{+0.000} | 1.125 ±.003 | 1.570 ^{+0.000} / _{-.002} | 1.698 ±.003 | 1.750 ^{+0.006} / _{+0.000} | 21.43 |
| PSA-59-2125 | 1-1/2 | 2-1/8 | 3/4 | .750 ^{+0.035} / _{+0.025} | .250 ^{+0.005} / _{+0.000} | 1.500 ±.003 | 1.944 ^{+0.000} / _{-.003} | 2.074 ±.004 | 2.125 ^{+0.007} / _{+0.000} | 27.85 |
| PSA-59-2250 | 1-5/8 | 2-1/4 | 3/4 | .750 ^{+0.035} / _{+0.025} | .250 ^{+0.005} / _{+0.000} | 1.625 ±.003 | 2.069 ^{+0.000} / _{-.003} | 2.197 ±.004 | 2.250 ^{+0.007} / _{+0.000} | 17.68 |
| PSA-59-2375 | 1-3/4 | 2-3/8 | 3/4 | .750 ^{+0.035} / _{+0.025} | .250 ^{+0.005} / _{+0.000} | 1.750 ±.003 | 2.194 ^{+0.000} / _{-.003} | 2.322 ±.004 | 2.375 ^{+0.007} / _{+0.000} | 18.70 |
| PSA-59-2500A | 1-7/8 | 2-1/2 | 3/4 | .750 ^{+0.035} / _{+0.025} | .250 ^{+0.005} / _{+0.000} | 1.875 ±.003 | 2.321 ^{+0.000} / _{-.003} | 2.437 ±.004 | 2.500 ^{+0.007} / _{+0.000} | 34.17 |
| PSA-59-2750 | 2 | 2-3/4 | 3/4 | .750 ^{+0.035} / _{+0.025} | .250 ^{+0.005} / _{+0.000} | 2.000 ±.004 | 2.522 ^{+0.000} / _{-.003} | 2.685 ±.004 | 2.750 ^{+0.007} / _{+0.000} | 31.46 |
| PSA-59-2750A | 2 | 2-3/4 | .937 | .937 ^{+0.035} / _{+0.025} | .250 ^{+0.005} / _{+0.000} | 2.000 ±.004 | 2.522 ^{+0.000} / _{-.003} | 2.685 ±.004 | 2.750 ^{+0.007} / _{+0.000} | 23.06 |
| PSA-59-3000 | 2-1/4 | 3 | .937 | .937 ^{+0.035} / _{+0.025} | .250 ^{+0.005} / _{+0.000} | 2.250 ±.004 | 2.772 ^{+0.000} / _{-.003} | 2.935 ±.004 | 3.000 ^{+0.007} / _{+0.000} | 23.84 |
| PSA-59-3000A | 2-1/4 | 3 | 1-1/8 | 1.125 ^{+0.035} / _{+0.025} | .250 ^{+0.005} / _{+0.000} | 2.250 ±.004 | 2.772 ^{+0.000} / _{-.003} | 2.935 ±.004 | 3.000 ^{+0.007} / _{+0.000} | 25.43 |

NORTH AMERICA
 PHONE 1-800-777-5617
 FAX 1-800-759-6391

SALES OFFICE HOURS
 8 A.M. TO 7:30 P.M. EASTERN TIME
 www.HerculesUS.com

WORLDWIDE
 PHONE 1-727-796-1300
 FAX 1-727-797-8849



STYLE PSA-59 PISTON SEALS

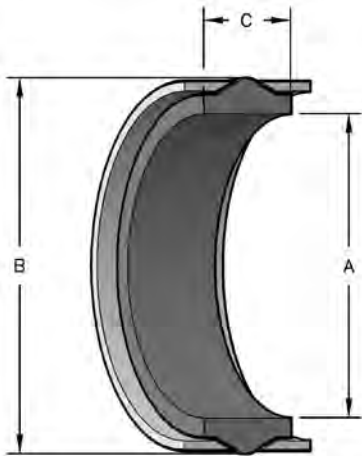
| Part Number | A Nom. ID | B Nom. OD | C Nom. Ht | D SEAL GROOVE WIDTH | D ₁ BEARING GROOVE WIDTH | H GROOVE DIAMETER | H ₁ BEARING GROOVE DIAMETER | I PISTON DIAMETER | J BORE DIAMETER | List Price |
|-------------|-----------|-----------|-----------|---|--|-------------------|--|-------------------|---|------------|
| PSA-59-3250 | 2-1/2 | 3-1/4 | .937 | .937 ^{+0.035} / _{+0.025} | .250 ^{+0.005} / _{+0.000} | 2.500 ±.004 | 3.021 ^{+0.000} / _{-.003} | 3.184 ±.004 | 3.250 ^{+0.009} / _{+0.000} | 34.08 |
| PSA-59-3500 | 2-3/4 | 3-1/2 | .937 | .937 ^{+0.035} / _{+0.025} | .250 ^{+0.005} / _{+0.000} | 2.750 ±.004 | 3.271 ^{+0.000} / _{-.003} | 3.434 ±.004 | 3.500 ^{+0.009} / _{+0.000} | 31.24 |
| PSA-59-4000 | 3-1/4 | 4 | .937 | .937 ^{+0.035} / _{+0.025} | .250 ^{+0.005} / _{+0.000} | 3.250 ±.004 | 3.770 ^{+0.000} / _{-.003} | 3.933 ±.004 | 4.000 ^{+0.009} / _{+0.000} | 37.90 |
| PSA-59-4500 | 3-1/2 | 4-1/2 | 1-1/4 | 1.250 ^{+0.035} / _{+0.025} | .250 ^{+0.005} / _{+0.000} | 3.500 ±.004 | 4.229 ^{+0.000} / _{-.003} | 4.422 ±.005 | 4.500 ^{+0.009} / _{+0.000} | 41.14 |
| PSA-59-5000 | 4 | 5 | 1-1/4 | 1.250 ^{+0.035} / _{+0.025} | .250 ^{+0.005} / _{+0.000} | 4.000 ±.004 | 4.728 ^{+0.000} / _{-.004} | 4.921 ±.005 | 5.000 ^{+0.010} / _{+0.000} | 48.01 |
| PSA-59-5500 | 4-1/2 | 5-1/2 | 1-1/4 | 1.250 ^{+0.035} / _{+0.025} | .250 ^{+0.005} / _{+0.000} | 4.500 ±.004 | 5.227 ^{+0.000} / _{-.004} | 5.420 ±.005 | 5.500 ^{+0.010} / _{+0.000} | 62.02 |
| PSA-59-6000 | 5 | 6 | 1-1/4 | 1.250 ^{+0.035} / _{+0.025} | .250 ^{+0.005} / _{+0.000} | 5.000 ±.005 | 5.726 ^{+0.000} / _{-.004} | 5.919 ±.005 | 6.000 ^{+0.010} / _{+0.000} | 56.09 |
| PSA-59-6500 | 5-1/2 | 6-1/2 | 1-1/4 | 1.250 ^{+0.035} / _{+0.025} | .250 ^{+0.005} / _{+0.000} | 5.500 ±.005 | 6.226 ^{+0.000} / _{-.004} | 6.419 ±.005 | 6.500 ^{+0.010} / _{+0.000} | 89.13 |
| PSA-59-7000 | 6 | 7 | 1-1/4 | 1.250 ^{+0.035} / _{+0.025} | .250 ^{+0.005} / _{+0.000} | 6.000 ±.005 | 6.724 ^{+0.000} / _{-.004} | 6.917 ±.005 | 7.000 ^{+0.010} / _{+0.000} | 106.02 |
| PSA-59-8000 | 7 | 8 | 1-1/4 | 1.250 ^{+0.035} / _{+0.025} | .250 ^{+0.005} / _{+0.000} | 7.000 ±.005 | 7.723 ^{+0.000} / _{-.005} | 7.915 ±.006 | 8.000 ^{+0.011} / _{+0.000} | 194.13 |

PISTON SEAL ASSEMBLIES



STYLE PSA-65 PISTON SEALS

Compact and easy to install, the Style PSA-65 piston seal is a simple and economical design for pressures up to 3,000 PSI. The assembly consists of a nitrile rubber seal and two polyacetal bearings to support the piston. For 1-piece pistons.

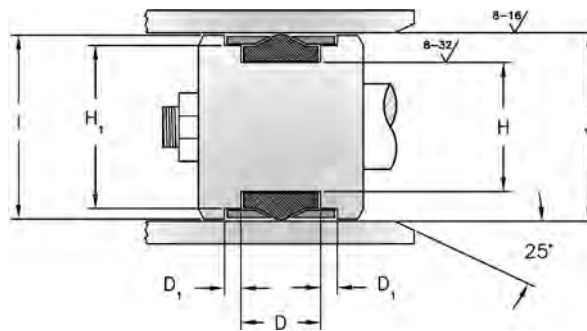


HERCULES PART NUMBERS

PSA - 65 - 1000
 Prefix Type of Seal Size

SEAL INFORMATION

| | |
|-------------------|--|
| MATERIAL | NITRILE SEAL POLYACETAL ANTI-EXTRUSION RING |
| TEMPERATURE RANGE | -22° TO +212° F |
| PRESSURE RANGE | 0 TO 3,000 PSI |
| SPEED | 1.5 Ft/Sec. |



| Part Number | A Nom. ID | B Nom. OD | C Nom. Ht | D SEAL GROOVE WIDTH | D ₁ BEARING GROOVE WIDTH | H GROOVE DIAMETER | H ₁ BEARING GROOVE DIAMETER | I PISTON DIAMETER | J BORE DIAMETER | List Price |
|--------------|-----------------|-----------------|-----------------|--|--|---|---|---|---|---------------|
| PSA-65-1000 | 11/16 | 1 | 11/32 | .343 ^{+0.015} / _{+0.005} | .125 ^{+0.000} / _{-0.005} | .687 ^{+0.000} / _{-0.002} | .829 ^{+0.000} / _{-0.002} | .937 ^{+0.000} / _{-0.006} | 1.000 ^{+0.004} / _{+0.000} | \$9.35 |
| PSA-65-1250 | 15/16 | 1-1/4 | 11/32 | .343 ^{+0.015} / _{+0.005} | .125 ^{+0.000} / _{-0.005} | .937 ^{+0.000} / _{-0.002} | 1.079 ^{+0.000} / _{-0.002} | 1.187 ^{+0.000} / _{-0.006} | 1.250 ^{+0.004} / _{+0.000} | 8.87 |
| PSA-65-1500 | 1-1/8 | 1-1/2 | 7/16 | .437 ^{+0.015} / _{+0.005} | .150 ^{+0.000} / _{-0.005} | 1.125 ^{+0.000} / _{-0.002} | 1.324 ^{+0.000} / _{-0.002} | 1.437 ^{+0.000} / _{-0.006} | 1.500 ^{+0.004} / _{+0.000} | 8.87 |
| PSA-65-1750 | 1-3/8 | 1-3/4 | 7/16 | .437 ^{+0.015} / _{+0.005} | .150 ^{+0.000} / _{-0.005} | 1.375 ^{+0.000} / _{-0.002} | 1.574 ^{+0.000} / _{-0.002} | 1.687 ^{+0.000} / _{-0.006} | 1.750 ^{+0.004} / _{+0.000} | 15.74 |
| PSA-65-2000 | 1-5/8 | 2 | 7/16 | .437 ^{+0.015} / _{+0.005} | .150 ^{+0.000} / _{-0.005} | 1.625 ^{+0.000} / _{-0.002} | 1.824 ^{+0.000} / _{-0.002} | 1.937 ^{+0.000} / _{-0.006} | 2.000 ^{+0.005} / _{+0.000} | 31.47 |
| PSA-65-2250 | 1-7/8 | 2-1/4 | 7/16 | .437 ^{+0.015} / _{+0.005} | .150 ^{+0.000} / _{-0.005} | 1.875 ^{+0.000} / _{-0.002} | 2.075 ^{+0.000} / _{-0.003} | 2.187 ^{+0.000} / _{-0.006} | 2.250 ^{+0.005} / _{+0.000} | 12.95 |
| PSA-65-2375 | 2 | 2-3/8 | 7/16 | .437 ^{+0.015} / _{+0.005} | .150 ^{+0.000} / _{-0.005} | 2.000 ^{+0.000} / _{-0.002} | 2.195 ^{+0.000} / _{-0.003} | 2.312 ^{+0.000} / _{-0.007} | 2.375 ^{+0.005} / _{+0.000} | 11.21 |
| PSA-65-2500A | 2 | 2-1/2 | 5/8 | .625 ^{+0.015} / _{+0.005} | .255 ^{+0.000} / _{-0.005} | 2.000 ^{+0.000} / _{-0.003} | 2.325 ^{+0.000} / _{-0.003} | 2.437 ^{+0.000} / _{-0.007} | 2.500 ^{+0.005} / _{+0.000} | 22.97 |
| PSA-65-2500 | 2-1/8 | 2-1/2 | 7/16 | .437 ^{+0.015} / _{+0.005} | .150 ^{+0.000} / _{-0.005} | 2.125 ^{+0.000} / _{-0.003} | 2.325 ^{+0.000} / _{-0.003} | 2.437 ^{+0.000} / _{-0.007} | 2.500 ^{+0.005} / _{+0.000} | 37.48 |
| PSA-65-2750 | 2-3/8 | 2-3/4 | 7/16 | .437 ^{+0.015} / _{+0.005} | .150 ^{+0.000} / _{-0.005} | 2.375 ^{+0.000} / _{-0.003} | 2.575 ^{+0.000} / _{-0.002} | 2.687 ^{+0.000} / _{-0.007} | 2.750 ^{+0.005} / _{+0.000} | 23.93 |
| PSA-65-3000 | 2-5/8 | 3 | 7/16 | .437 ^{+0.015} / _{+0.005} | .150 ^{+0.000} / _{-0.005} | 2.625 ^{+0.000} / _{-0.003} | 2.825 ^{+0.000} / _{-0.003} | 2.937 ^{+0.000} / _{-0.007} | 3.000 ^{+0.005} / _{+0.000} | 47.32 |
| PSA-65-3500 | 3 | 3-1/2 | 9/16 | .562 ^{+0.015} / _{+0.005} | .210 ^{+0.000} / _{-0.005} | 3.000 ^{+0.000} / _{-0.003} | 3.270 ^{+0.000} / _{-0.003} | 3.437 ^{+0.000} / _{-0.009} | 3.500 ^{+0.006} / _{+0.000} | 54.65 |

NORTH AMERICA
 PHONE 1-800-777-5617
 FAX 1-800-759-6391

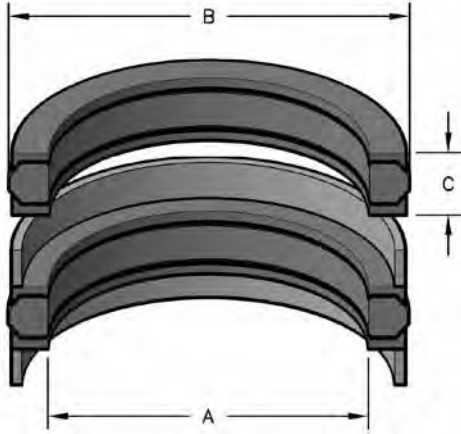
SALES OFFICE HOURS
 8 A.M. TO 7:30 P.M. EASTERN TIME
 www.HerculesUS.com

WORLDWIDE
 PHONE 1-727-796-1300
 FAX 1-727-797-8849

NEW FOR 2016

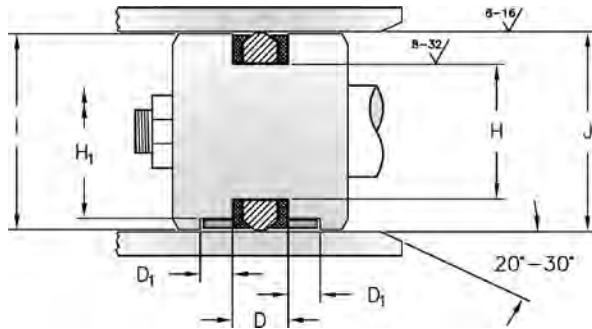
STYLE PSA-83 & PSA-83-W PISTON SEALS

This three piece piston seal, designed for one piece pistons, contains a nitrile rubber seal with two split plastic anti-extrusion rings. Under pressure, the seal exerts a wedging action on the anti-extrusion rings, reducing the clearance between the bore and the piston, minimizing extrusion. Sales part numbers ending in W include two wear rings.



HERCULES PART NUMBERS

PSA-83 - 1500
 Prefix Bore Diameter



| SEAL INFORMATION | |
|-------------------|---|
| MATERIAL | NITRILE SEAL, POLYACETAL ANTI-EXTRUSION RINGS & BEARINGS (W SUFFIX) |
| TEMPERATURE RANGE | -22°F - +212°F |
| PRESSURE RANGE | 0 TO 6,000 PSI |
| SPEED | 1.5 FT/SEC |

PISTON SEAL ASSEMBLIES

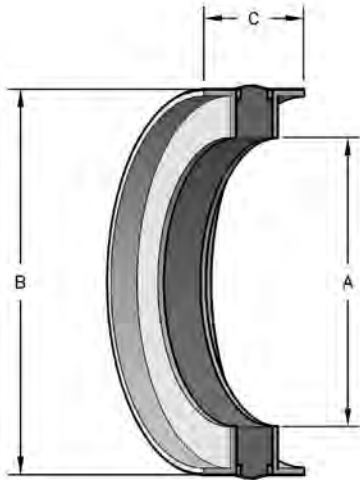
| Part Number | A Nom. ID | B Nom. OD | C Nom. Ht | D SEAL GROOVE WIDTH | D ₁ BEARING GROOVE WIDTH | H GROOVE DIAMETER | H ₁ BEARING GROOVE DIAMETER | I PISTON DIAMETER | J BORE DIAMETER | List Price |
|--------------|-----------|-----------|-----------|--|--|---|---|-------------------|---|------------|
| PSA-83-1500 | 1-1/8 | 1-1/2 | .452 | .452 ^{+0.05} / _{+0.00} | | 1.125 ^{+0.00} / _{-0.03} | | | 1.500 ^{+0.04} / _{+0.00} | \$37.78 |
| PSA-83-2000W | 1-1/2 | 2 | .587 | .587 ^{+0.05} / _{+0.00} | .250 ^{+0.04} / _{+0.00} | 1.500 ^{+0.00} / _{-0.04} | 1.821 ^{-0.01} / _{-0.03} | 1.950 ±.005 | 2.000 ^{+0.05} / _{+0.00} | 38.50 |
| PSA-83-2500W | 2 | 2-1/2 | .587 | .587 ^{+0.05} / _{+0.00} | .250 ^{+0.04} / _{+0.00} | 2.000 ^{+0.00} / _{-0.05} | 2.321 ^{-0.01} / _{-0.04} | 2.450 ±.005 | 2.500 ^{+0.05} / _{+0.00} | 41.33 |
| PSA-83-3000W | 2-1/2 | 3 | .587 | .587 ^{+0.05} / _{+0.00} | .250 ^{+0.04} / _{+0.00} | 2.500 ^{+0.00} / _{-0.05} | 2.774 ^{-0.01} / _{-0.04} | 2.940 ±.005 | 3.000 ^{+0.05} / _{+0.00} | 45.22 |
| PSA-83-3250 | 2-3/4 | 3-1/4 | .587 | .587 ^{+0.05} / _{+0.00} | | 2.750 ^{+0.00} / _{-0.05} | | | 3.250 ^{+0.06} / _{+0.00} | 43.94 |
| PSA-83-3250W | 2-3/4 | 3-1/4 | .587 | .587 ^{+0.05} / _{+0.00} | .250 ^{+0.04} / _{+0.00} | 2.750 ^{+0.00} / _{-0.05} | 3.023 ^{-0.01} / _{-0.04} | 3.190 ±.005 | 3.250 ^{+0.06} / _{+0.00} | 47.83 |
| PSA-83-4000 | 3-1/4 | 4 | .78 | .780 ^{+0.05} / _{+0.00} | | 3.250 ^{+0.00} / _{-0.06} | | | 4.000 ^{+0.06} / _{+0.00} | 68.50 |
| PSA-83-4500W | 3-3/4 | 4-1/2 | .78 | .780 ^{+0.05} / _{+0.00} | .250 ^{+0.04} / _{+0.00} | 3.750 ^{+0.00} / _{-0.06} | 4.232 ^{-0.01} / _{-0.05} | 4.440 ±.005 | 4.500 ^{+0.06} / _{+0.00} | 74.17 |
| PSA-83-5000 | 4-1/4 | 5 | .78 | .780 ^{+0.05} / _{+0.00} | | 4.250 ^{+0.00} / _{-0.06} | | | 5.000 ^{+0.06} / _{+0.00} | 89.78 |
| PSA-83-5000W | 4-1/4 | 5 | .78 | .780 ^{+0.05} / _{+0.00} | .375 ^{+0.04} / _{+0.00} | 4.250 ^{+0.00} / _{-0.06} | 4.713 ^{-0.01} / _{-0.05} | 4.910 ±.005 | 5.000 ^{+0.06} / _{+0.00} | 78.33 |
| PSA-83-6000 | 5-1/4 | 6 | .78 | .780 ^{+0.05} / _{+0.00} | | 5.250 ^{+0.00} / _{-0.06} | | | 6.000 ^{+0.06} / _{+0.00} | 100.11 |
| PSA-83-6000W | 5-1/4 | 6 | .78 | .780 ^{+0.05} / _{+0.00} | .375 ^{+0.04} / _{+0.00} | 5.250 ^{+0.00} / _{-0.06} | 5.713 ^{-0.01} / _{-0.05} | 5.910 ±.005 | 6.000 ^{+0.06} / _{+0.00} | 86.72 |
| PSA-83-7000 | 6-1/4 | 7 | .78 | .780 ^{+0.05} / _{+0.00} | | 6.250 ^{+0.00} / _{-0.06} | | | 7.000 ^{+0.06} / _{+0.00} | 123.06 |

FORMERLY LISTED SEALS ARE AVAILABLE ONLINE AT WWW.HERCULESUS.COM
 OR BY CONTACTING YOUR REGIONAL HERCULES SALES TEAM.



STYLE PSF PISTON SEALS

Designed to fit on one or two piece pistons, this seal employs a nitrile seal element, PTFE split back-up rings and polyacetal split bearing rings.

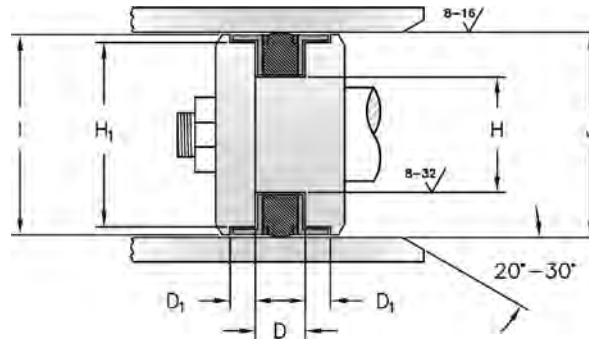


HERCULES PART NUMBERS

PSF - 2000
Prefix O-Ring Size

SEAL INFORMATION

| | |
|-------------------|--|
| MATERIAL | NITRILE SEAL POLYACETAL ANTI-EXTRUSION RING |
| TEMPERATURE RANGE | -22° TO +212° F |
| PRESSURE RANGE | 0 TO 3,000 PSI |
| SPEED | 3 FT/SEC |

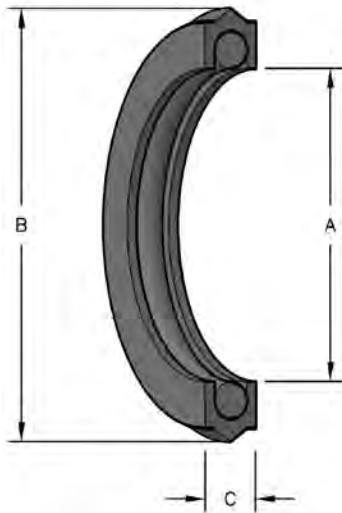


| Part Number | A Nom. ID | B Nom. OD | C Nom. Ht | D SEAL GROOVE WIDTH | D ₁ BEARING GROOVE WIDTH | H GROOVE DIAMETER | H ₁ BEARING GROOVE DIAMETER | I PISTON DIAMETER | J BORE DIAMETER | List Price |
|-------------|-----------------|-----------------|-----------------|--|---|--|--|--|-----------------------|---------------|
| PSF-2000 | 1-5/8 | 2 | .986 | .496 ^{+0.015} / _{+0.005} | .245 ^{+0.000} / _{-.005} | 1.625 ^{+0.000} / _{-.002} | 1.888 ^{+0.000} / _{-.002} | 1.960 ^{+0.000} / _{-.006} | 2.000 | \$12.92 |
| PSF-2500 | 2 | 2-1/2 | 1.14 | .650 ^{+0.015} / _{+0.005} | .245 ^{+0.000} / _{-.005} | 2.000 ^{+0.000} / _{-.003} | 2.320 ^{+0.000} / _{-.003} | 2.460 ^{+0.000} / _{-.007} | 2.500 | 17.12 |
| PSF-2750 | 2-1/4 | 2-3/4 | 1.15 | .650 ^{+0.015} / _{+0.005} | .250 ^{+0.000} / _{-.005} | 2.250 ^{+0.000} / _{-.003} | 2.570 ^{+0.000} / _{-.003} | 2.710 ^{+0.000} / _{-.007} | 2.750 | 18.77 |
| PSF-3000 | 2-3/8 | 3 | 1.265 | .775 ^{+0.015} / _{+0.005} | .245 ^{+0.000} / _{-.005} | 2.375 ^{+0.000} / _{-.003} | 2.772 ^{+0.000} / _{-.003} | 2.960 ^{+0.000} / _{-.007} | 3.000 | 18.88 |
| PSF-4000 | 3-1/2 | 4 | .982 | .562 ^{+0.015} / _{+0.005} | .210 ^{+0.000} / _{-.005} | 3.500 ^{+0.000} / _{-.003} | 3.770 ^{+0.000} / _{-.003} | 3.937 ^{+0.000} / _{-.009} | 4.000 | 31.17 |

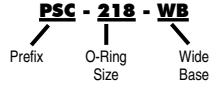
STYLE PSC PISTON SEALS

The Style PSC is a double acting piston seal designed to replace o-rings, quad-rings, and T-seals with the same groove dimensions (O-ring dash number). Style 575 urethane back-up rings may be added to either or both sides of the "PSC" to accommodate wider groove widths. The PSC is made of 95A Durometer polyurethane, giving it high extrusion and abrasion resistance. The crowned sealing surface produces a positive seal from vacuum to high pressure.

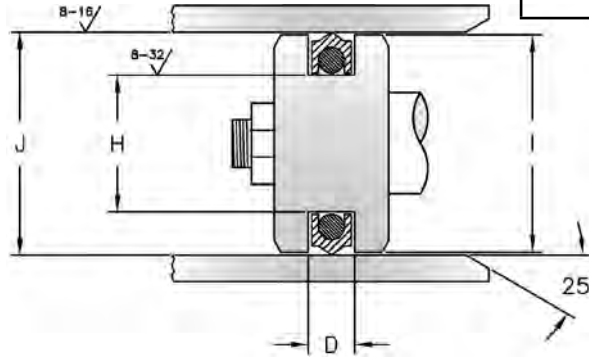
Hercules® Sealing Products also offers a wide base (WB) Style PSC piston seal. These wide base seals have the same characteristics of the standard PSC seals but offer a wider base, eliminating the need to use back-up rings to accommodate wider grooves. **NOTE:** Piston diameter "I" dimensions are given for piston without wear rings.



HERCULES PART NUMBERS



| SEAL INFORMATION | |
|-------------------|--|
| MATERIAL | 95A POLYURETHANE SEAL 70A NITRILE ENERGIZER |
| TEMPERATURE RANGE | -40° TO +200° F |
| PRESSURE RANGE | 0 TO 5,000 PSI |
| SPEED | 3 FT/SEC |



PISTON SEAL ASSEMBLIES

| Part Number | A Nom. ID | B Nom. OD | C Nom. Ht | O-RING DASH NUMBER | D GROOVE WIDTH | H GROOVE DIAMETER | I PISTON DIAMETER | J BORE DIAMETER | List Price |
|-------------|--------------|--------------|--------------|-----------------------|--|--|--|---|------------|
| PSC-203 | 5/16 | 9/16 | .15 | -203 | .185 ^{+0.005} / _{+0.000} | .315 ^{+0.000} / _{-.002} | .559 ^{+0.000} / _{-.002} | .562 ±.001 | \$4.48 |
| PSC-204 | 3/8 | 5/8 | .15 | -204 | .185 ^{+0.005} / _{+0.000} | .378 ^{+0.000} / _{-.002} | .622 ^{+0.000} / _{-.002} | .625 ±.001 | 4.49 |
| PSC-205 | 7/16 | 11/16 | .15 | -205 | .185 ^{+0.005} / _{+0.000} | .440 ^{+0.000} / _{-.002} | .684 ^{+0.000} / _{-.002} | .687 ±.001 | 4.59 |
| PSC-207 | 9/16 | 13/16 | .15 | -207 | .185 ^{+0.005} / _{+0.000} | .565 ^{+0.000} / _{-.002} | .809 ^{+0.000} / _{-.002} | .812 ±.001 | 11.73 |
| PSC-208 | 5/8 | 7/8 | .15 | -208 | .185 ^{+0.005} / _{+0.000} | .628 ^{+0.000} / _{-.002} | .872 ^{+0.000} / _{-.002} | .875 ±.001 | 5.05 |
| PSC-210 | 3/4 | 1 | .15 | -210 | .185 ^{+0.005} / _{+0.000} | .754 ^{+0.000} / _{-.002} | .998 ^{+0.000} / _{-.002} | 1.000 ^{+0.002} / _{+0.000} | 3.28 |
| PSC-211 | 13/16 | 1-1/16 | .15 | -211 | .185 ^{+0.005} / _{+0.000} | .816 ^{+0.000} / _{-.002} | 1.060 ^{+0.000} / _{-.002} | 1.062 ^{+0.002} / _{+0.000} | 5.60 |
| PSC-212 | 7/8 | 1-1/8 | .15 | -212 | .185 ^{+0.005} / _{+0.000} | .879 ^{+0.000} / _{-.002} | 1.123 ^{+0.000} / _{-.002} | 1.125 ^{+0.002} / _{+0.000} | 5.60 |
| PSC-213 | 15/16 | 1-3/16 | .15 | -213 | .185 ^{+0.005} / _{+0.000} | .941 ^{+0.000} / _{-.002} | 1.185 ^{+0.000} / _{-.002} | 1.187 ^{+0.002} / _{+0.000} | 5.60 |
| PSC-214 | 1 | 1-1/4 | .15 | -214 | .185 ^{+0.005} / _{+0.000} | 1.004 ^{+0.000} / _{-.002} | 1.248 ^{+0.000} / _{-.002} | 1.250 ^{+0.002} / _{+0.000} | 7.92 |
| PSC-216 | 1-1/8 | 1-3/8 | .15 | -216 | .185 ^{+0.005} / _{+0.000} | 1.129 ^{+0.000} / _{-.002} | 1.373 ^{+0.000} / _{-.002} | 1.375 ^{+0.002} / _{+0.000} | 5.60 |
| PSC-218 | 1-1/4 | 1-1/2 | .15 | -218 | .185 ^{+0.005} / _{+0.000} | 1.254 ^{+0.000} / _{-.002} | 1.498 ^{+0.000} / _{-.002} | 1.500 ^{+0.002} / _{+0.000} | 5.60 |

FORMERLY LISTED SEALS ARE AVAILABLE ONLINE AT WWW.HERCULESUS.COM
 OR BY CONTACTING YOUR REGIONAL HERCULES SALES TEAM.



STYLE PSC PISTON SEALS

PISTON SEAL ASSEMBLIES

| Part Number | A Nom. ID | B Nom. OD | C Nom. Ht | O-RING DASH NUMBER | D GROOVE WIDTH | H GROOVE DIAMETER | I PISTON DIAMETER | J BORE DIAMETER | List Price |
|-------------|--------------|--------------|--------------|-----------------------|--|---|---|---|---------------|
| PSC-218-WB | 1-1/4 | 1-1/2 | .265 | -218 | .304 ⁺⁰¹⁰ / ₊₀₀₀ | 1.254 ⁺⁰⁰⁰ / ₋₀₀₂ | 1.498 ⁺⁰⁰⁰ / ₋₀₀₂ | 1.500 ⁺⁰⁰² / ₊₀₀₀ | 8.78 |
| PSC-220 | 1-3/8 | 1-5/8 | .15 | -220 | .185 ⁺⁰⁰⁵ / ₊₀₀₀ | 1.379 ⁺⁰⁰⁰ / ₋₀₀₂ | 1.623 ⁺⁰⁰⁰ / ₋₀₀₂ | 1.625 ⁺⁰⁰² / ₊₀₀₀ | 6.08 |
| PSC-222 | 1-1/2 | 1-3/4 | .15 | -222 | .185 ⁺⁰⁰⁵ / ₊₀₀₀ | 1.504 ⁺⁰⁰⁰ / ₋₀₀₂ | 1.748 ⁺⁰⁰⁰ / ₋₀₀₂ | 1.750 ⁺⁰⁰² / ₊₀₀₀ | 6.34 |
| PSC-222-WB | 1-1/2 | 1-3/4 | .265 | -222 | .304 ⁺⁰¹⁰ / ₊₀₀₀ | 1.504 ⁺⁰⁰⁰ / ₋₀₀₂ | 1.748 ⁺⁰⁰⁰ / ₋₀₀₂ | 1.750 ⁺⁰⁰² / ₊₀₀₀ | 10.12 |
| PSC-325 | 1-1/2 | 1-7/8 | .255 | -325 | .280 ⁺⁰⁰⁵ / ₊₀₀₀ | 1.500 ⁺⁰⁰⁰ / ₋₀₀₂ | 1.873 ⁺⁰⁰⁰ / ₋₀₀₂ | 1.875 ⁺⁰⁰² / ₊₀₀₀ | 6.73 |
| PSC-326 | 1-5/8 | 2 | .255 | -326 | .280 ⁺⁰⁰⁵ / ₊₀₀₀ | 1.625 ⁺⁰⁰⁰ / ₋₀₀₂ | 1.998 ⁺⁰⁰⁰ / ₋₀₀₂ | 2.000 ⁺⁰⁰² / ₊₀₀₀ | 7.01 |
| PSC-326-WB | 1-5/8 | 2 | 3/8 | -326 | .424 ⁺⁰¹⁰ / ₊₀₀₀ | 1.625 ⁺⁰⁰⁰ / ₋₀₀₂ | 1.998 ⁺⁰⁰⁰ / ₋₀₀₂ | 2.000 ⁺⁰⁰² / ₊₀₀₀ | 11.48 |
| PSC-328 | 1-7/8 | 2-1/4 | .255 | -328 | .280 ⁺⁰⁰⁵ / ₊₀₀₀ | 1.875 ⁺⁰⁰⁰ / ₋₀₀₂ | 2.248 ⁺⁰⁰⁰ / ₋₀₀₂ | 2.250 ⁺⁰⁰² / ₊₀₀₀ | 8.07 |
| PSC-329 | 2 | 2-3/8 | .255 | -329 | .280 ⁺⁰⁰⁵ / ₊₀₀₀ | 2.000 ⁺⁰⁰⁰ / ₋₀₀₂ | 2.373 ⁺⁰⁰⁰ / ₋₀₀₂ | 2.375 ⁺⁰⁰² / ₊₀₀₀ | 8.66 |
| PSC-330 | 2-1/8 | 2-1/2 | .255 | -330 | .280 ⁺⁰⁰⁵ / ₊₀₀₀ | 2.125 ⁺⁰⁰⁰ / ₋₀₀₂ | 2.498 ⁺⁰⁰⁰ / ₋₀₀₂ | 2.500 ⁺⁰⁰² / ₊₀₀₀ | 9.13 |
| PSC-330-WB | 2-1/8 | 2-1/2 | 3/8 | -330 | .424 ⁺⁰¹⁰ / ₊₀₀₀ | 2.125 ⁺⁰⁰⁰ / ₋₀₀₂ | 2.498 ⁺⁰⁰⁰ / ₋₀₀₂ | 2.500 ⁺⁰⁰² / ₊₀₀₀ | 14.45 |
| PSC-332 | 2-3/8 | 2-3/4 | .255 | -332 | .280 ⁺⁰⁰⁵ / ₊₀₀₀ | 2.374 ⁺⁰⁰⁰ / ₋₀₀₄ | 2.747 ⁺⁰⁰⁰ / ₋₀₀₄ | 2.750 ⁺⁰⁰³ / ₋₀₀₁ | 10.77 |
| PSC-332-WB | 2-3/8 | 2-3/4 | 3/8 | -332 | .424 ⁺⁰¹⁰ / ₊₀₀₀ | 2.374 ⁺⁰⁰⁰ / ₋₀₀₄ | 2.747 ⁺⁰⁰⁰ / ₋₀₀₄ | 2.750 ⁺⁰⁰³ / ₋₀₀₁ | 23.01 |
| PSC-334A-WB | 2-1/2 | 3 | 3/8 | N/A | .424 ⁺⁰¹⁰ / ₊₀₀₀ | 2.500 ⁻⁰⁰¹ / ₋₀₀₃ | 2.997 ⁺⁰⁰⁰ / ₋₀₀₄ | 3.000 ⁺⁰⁰³ / ₋₀₀₁ | 18.92 |
| PSC-334 | 2-5/8 | 3 | .255 | -334 | .280 ⁺⁰⁰⁵ / ₊₀₀₀ | 2.625 ⁻⁰⁰¹ / ₋₀₀₃ | 2.997 ⁺⁰⁰⁰ / ₋₀₀₄ | 3.000 ⁺⁰⁰³ / ₋₀₀₁ | 11.30 |
| PSC-334-WB | 2-5/8 | 3 | 3/8 | -334 | .424 ⁺⁰¹⁰ / ₊₀₀₀ | 2.625 ⁻⁰⁰¹ / ₋₀₀₃ | 2.997 ⁺⁰⁰⁰ / ₋₀₀₄ | 3.000 ⁺⁰⁰³ / ₋₀₀₁ | 17.39 |
| PSC-336 | 2-7/8 | 3-1/4 | .255 | -336 | .280 ⁺⁰⁰⁵ / ₊₀₀₀ | 2.875 ⁻⁰⁰¹ / ₋₀₀₅ | 3.247 ⁺⁰⁰⁰ / ₋₀₀₄ | 3.250 ⁺⁰⁰³ / ₋₀₀₁ | 17.46 |
| PSC-337 | 3 | 3-3/8 | .255 | -337 | .280 ⁺⁰⁰⁵ / ₊₀₀₀ | 3.000 ⁺⁰⁰⁰ / ₋₀₀₄ | 3.373 ⁺⁰⁰⁰ / ₋₀₀₄ | 3.375 ⁺⁰⁰⁴ / ₊₀₀₀ | 20.23 |
| PSC-338 | 3-1/8 | 3-1/2 | .255 | -338 | .280 ⁺⁰⁰⁵ / ₊₀₀₀ | 3.125 ⁺⁰⁰⁰ / ₋₀₀₄ | 3.498 ⁺⁰⁰⁰ / ₋₀₀₄ | 3.500 ⁺⁰⁰⁴ / ₊₀₀₀ | 14.11 |
| PSC-338-WB | 3-1/8 | 3-1/2 | 3/8 | -338 | .424 ⁺⁰¹⁰ / ₊₀₀₀ | 3.125 ⁺⁰⁰⁰ / ₋₀₀₄ | 3.498 ⁺⁰⁰⁰ / ₋₀₀₄ | 3.500 ⁺⁰⁰⁴ / ₊₀₀₀ | 17.42 |
| PSC-339 | 3-1/4 | 3-5/8 | .255 | -339 | .280 ⁺⁰⁰⁵ / ₊₀₀₀ | 3.250 ⁺⁰⁰⁰ / ₋₀₀₄ | 3.623 ⁺⁰⁰⁰ / ₋₀₀₄ | 3.625 ⁺⁰⁰⁴ / ₊₀₀₀ | 21.78 |
| PSC-340 | 3-3/8 | 3-3/4 | .255 | -340 | .280 ⁺⁰⁰⁵ / ₊₀₀₀ | 3.375 ⁺⁰⁰⁰ / ₋₀₀₄ | 3.748 ⁺⁰⁰⁰ / ₋₀₀₄ | 3.750 ⁺⁰⁰⁶ / ₊₀₀₂ | 15.24 |
| PSC-341 | 3-1/2 | 3-7/8 | .255 | -341 | .280 ⁺⁰⁰⁵ / ₊₀₀₀ | 3.500 ⁺⁰⁰⁰ / ₋₀₀₄ | 3.873 ⁺⁰⁰⁰ / ₋₀₀₄ | 3.875 ⁺⁰⁰⁴ / ₊₀₀₀ | 24.04 |
| PSC-342A-WB | 3-1/2 | 4 | 3/8 | N/A | .424 ⁺⁰¹⁰ / ₊₀₀₀ | 3.500 ⁺⁰⁰⁰ / ₋₀₀₄ | 3.998 ⁺⁰⁰⁰ / ₋₀₀₄ | 4.000 ⁺⁰⁰⁴ / ₊₀₀₀ | 29.37 |
| PSC-342 | 3-5/8 | 4 | .255 | -342 | .280 ⁺⁰⁰⁵ / ₊₀₀₀ | 3.625 ⁺⁰⁰⁰ / ₋₀₀₄ | 3.998 ⁺⁰⁰⁰ / ₋₀₀₄ | 4.000 ⁺⁰⁰⁴ / ₊₀₀₀ | 16.75 |
| PSC-342-WB | 3-5/8 | 4 | 3/8 | -342 | .424 ⁺⁰¹⁰ / ₊₀₀₀ | 3.625 ⁺⁰⁰⁰ / ₋₀₀₄ | 3.998 ⁺⁰⁰⁰ / ₋₀₀₄ | 4.000 ⁺⁰⁰⁴ / ₊₀₀₀ | 25.83 |
| PSC-344 | 3-7/8 | 4-1/4 | .255 | -344 | .280 ⁺⁰⁰⁵ / ₊₀₀₀ | 3.875 ⁺⁰⁰⁰ / ₋₀₀₄ | 4.248 ⁺⁰⁰⁰ / ₋₀₀₄ | 4.250 ⁺⁰⁰⁴ / ₊₀₀₀ | 19.11 |
| PSC-346 | 4-1/8 | 4-1/2 | .255 | -346 | .280 ⁺⁰⁰⁵ / ₊₀₀₀ | 4.125 ⁺⁰⁰⁰ / ₋₀₀₄ | 4.498 ⁺⁰⁰⁰ / ₋₀₀₄ | 4.500 ⁺⁰⁰⁴ / ₊₀₀₀ | 28.14 |
| PSC-347 | 4-1/4 | 4-5/8 | .255 | -347 | .280 ⁺⁰⁰⁵ / ₊₀₀₀ | 4.250 ⁺⁰⁰⁰ / ₋₀₀₄ | 4.623 ⁺⁰⁰⁰ / ₋₀₀₄ | 4.625 ⁺⁰⁰⁴ / ₊₀₀₀ | 29.27 |
| PSC-350 | 4-5/8 | 5 | .255 | -350 | .280 ⁺⁰⁰⁵ / ₊₀₀₀ | 4.625 ⁺⁰⁰¹ / ₋₀₀₃ | 4.999 ⁺⁰⁰⁰ / ₋₀₀₄ | 5.000 ⁺⁰⁰⁵ / ₊₀₀₁ | 27.12 |
| PSC-429 | 5 | 5-1/2 | .32 | -429 | .365 ⁺⁰⁰⁶ / ₊₀₀₀ | 5.021 ⁺⁰⁰⁰ / ₋₀₀₄ | 5.499 ⁺⁰⁰⁰ / ₋₀₀₄ | 5.500 ⁺⁰⁰⁵ / ₊₀₀₁ | 32.88 |
| PSC-433 | 5-1/2 | 6 | .32 | -433 | .365 ⁺⁰⁰⁶ / ₊₀₀₀ | 5.521 ⁺⁰⁰⁰ / ₋₀₀₄ | 5.999 ⁺⁰⁰⁰ / ₋₀₀₄ | 6.000 ⁺⁰⁰⁵ / ₊₀₀₁ | 41.21 |
| PSC-433-WB | 5-1/2 | 6 | 1/2 | -433 | .579 ⁺⁰¹⁰ / ₊₀₀₀ | 5.521 ⁺⁰⁰⁰ / ₋₀₀₄ | 5.999 ⁺⁰⁰⁰ / ₋₀₀₄ | 6.000 ⁺⁰⁰⁵ / ₊₀₀₁ | 56.68 |

NORTH AMERICA
PHONE 1-800-777-5617
FAX 1-800-759-6391

SALES OFFICE HOURS
8 A.M. TO 7:30 P.M. EASTERN TIME
www.HerculesUS.com

WORLDWIDE
PHONE 1-727-796-1300
FAX 1-727-797-8849



STYLE PSC PISTON SEALS

| Part Number | A Nom. ID | B Nom. OD | C Nom. Ht | O-RING DASH NUMBER | D GROOVE WIDTH | H GROOVE DIAMETER | I PISTON DIAMETER | J BORE DIAMETER | List Price |
|-------------|--------------|--------------|--------------|-----------------------|--|---|---|--|---------------|
| PSC-437 | 6 | 6-1/2 | .32 | -437 | .365 ⁺⁰⁰⁶ / ₊₀₀₀ | 6.020 ⁺⁰⁰⁰ / _{-.006} | 6.498 ⁺⁰⁰⁰ / _{-.006} | 6.500 ⁺⁰⁰⁶ / ₊₀₀₀ | 44.67 |
| PSC-439 | 6-1/2 | 7 | .32 | -439 | .365 ⁺⁰⁰⁶ / ₊₀₀₀ | 6.520 ⁺⁰⁰⁰ / _{-.006} | 6.998 ⁺⁰⁰⁰ / _{-.006} | 7.000 ⁺⁰⁰⁶ / ₊₀₀₀ | 47.33 |
| PSC-441 | 7 | 7-1/2 | .32 | -441 | .365 ⁺⁰⁰⁶ / ₊₀₀₀ | 7.020 ⁺⁰⁰⁰ / _{-.006} | 7.498 ⁺⁰⁰⁰ / _{-.006} | 7.500 ⁺⁰⁰⁶ / ₊₀₀₀ | 53.38 |
| PSC-442 | 7-1/4 | 7-3/4 | .32 | -442 | .365 ⁺⁰⁰⁶ / ₊₀₀₀ | 7.270 ⁺⁰⁰⁰ / _{-.006} | 7.748 ⁺⁰⁰⁰ / _{-.006} | 7.750 ⁺⁰⁰⁶ / ₊₀₀₀ | 76.55 |
| PSC-443 | 7-1/2 | 8 | .32 | -443 | .365 ⁺⁰⁰⁶ / ₊₀₀₀ | 7.520 ⁺⁰⁰⁰ / _{-.006} | 7.998 ⁺⁰⁰⁰ / _{-.006} | 8.000 ⁺⁰⁰⁶ / ₊₀₀₀ | 55.36 |
| PSC-444 | 7-3/4 | 8-1/4 | .32 | -444 | .365 ⁺⁰⁰⁶ / ₊₀₀₀ | 7.770 ⁺⁰⁰⁰ / _{-.006} | 8.248 ⁺⁰⁰⁰ / _{-.006} | 8.250 ⁺⁰⁰⁶ / ₊₀₀₀ | 56.57 |
| PSC-445 | 8 | 8-1/2 | .32 | -445 | .365 ⁺⁰⁰⁶ / ₊₀₀₀ | 8.020 ⁺⁰⁰⁰ / _{-.006} | 8.498 ⁺⁰⁰⁰ / _{-.006} | 8.500 ⁺⁰⁰⁶ / ₊₀₀₀ | 59.51 |
| PSC-446 | 8-1/2 | 9 | .32 | -446 | .365 ⁺⁰⁰⁶ / ₊₀₀₀ | 8.520 ⁺⁰⁰⁰ / _{-.006} | 8.998 ⁺⁰⁰⁰ / _{-.006} | 9.000 ⁺⁰⁰⁶ / ₊₀₀₀ | 59.66 |
| PSC-447 | 9 | 9-1/2 | .32 | -447 | .365 ⁺⁰⁰⁶ / ₊₀₀₀ | 9.020 ⁺⁰⁰⁰ / _{-.006} | 9.498 ⁺⁰⁰⁰ / _{-.006} | 9.500 ⁺⁰⁰⁶ / ₊₀₀₀ | 61.02 |
| PSC-448 | 9-1/2 | 10 | .32 | -448 | .365 ⁺⁰⁰⁶ / ₊₀₀₀ | 9.520 ⁺⁰⁰⁰ / _{-.006} | 9.998 ⁺⁰⁰⁰ / _{-.006} | 10.000 ⁺⁰⁰⁶ / ₊₀₀₀ | 68.49 |
| PSC-449 | 10 | 10-1/2 | .32 | -449 | .365 ⁺⁰⁰⁶ / ₊₀₀₀ | 10.020 ⁺⁰⁰⁰ / _{-.006} | 10.498 ⁺⁰⁰⁰ / _{-.006} | 10.500 ⁺⁰⁰⁶ / ₊₀₀₀ | 71.18 |
| PSC-450 | 10-1/2 | 11 | .32 | -450 | .365 ⁺⁰⁰⁶ / ₊₀₀₀ | 10.520 ⁺⁰⁰⁰ / _{-.006} | 10.998 ⁺⁰⁰⁰ / _{-.006} | 11.000 ⁺⁰⁰⁶ / ₊₀₀₀ | 73.29 |
| PSC-451 | 11 | 11-1/2 | .32 | -451 | .365 ⁺⁰⁰⁶ / ₊₀₀₀ | 11.020 ⁺⁰⁰⁰ / _{-.006} | 11.498 ⁺⁰⁰⁰ / _{-.006} | 11.500 ⁺⁰⁰⁶ / ₊₀₀₀ | 105.62 |
| PSC-452 | 11-1/2 | 12 | .32 | -452 | .365 ⁺⁰⁰⁶ / ₊₀₀₀ | 11.520 ⁺⁰⁰⁰ / _{-.006} | 11.998 ⁺⁰⁰⁰ / _{-.006} | 12.000 ⁺⁰⁰⁶ / ₊₀₀₀ | 118.27 |
| PSC-456 | 13-1/2 | 14 | .32 | -456 | .365 ⁺⁰⁰⁶ / ₊₀₀₀ | 13.520 ⁺⁰⁰⁰ / _{-.006} | 13.998 ⁺⁰⁰⁰ / _{-.006} | 14.000 ⁺⁰⁰⁶ / ₊₀₀₀ | 153.68 |

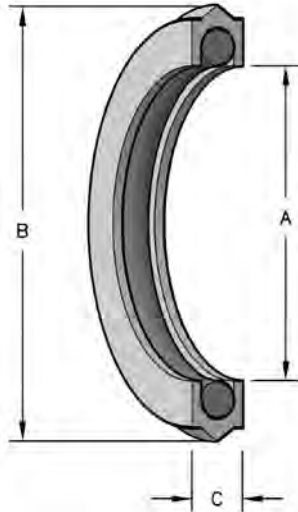
PISTON SEAL ASSEMBLIES



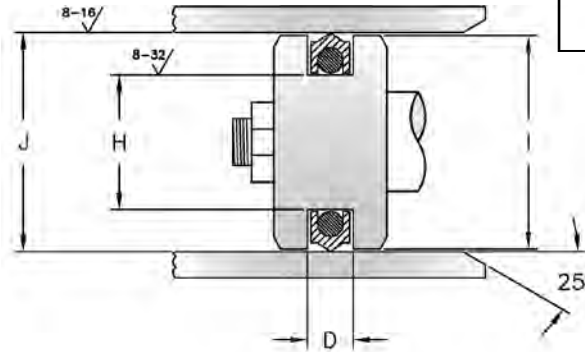
STYLE PSC PISTON SEALS - FLUOROTREL COMPOUND

These Style PSC are molded from Fluorotrel which is a tough, wear-resistant material able to run at temperatures up to 275° F. Fluorotrel is also resistant to fluids that are incompatible with polyurethane such as water, glycol, water in oil, mineral oil and petroleum. Consult our Engineering Department for other fluids compatible with Fluorotrel.

NOTE: Piston diameter "I" dimensions are given for pistons without wear rings.



HERCULES PART NUMBERS



SEAL INFORMATION

| | |
|-------------------|--|
| MATERIAL | 55D FLUOROTREL SEAL 70A NITRILE ENERGIZER |
| TEMPERATURE RANGE | -40° TO +235° F |
| PRESSURE RANGE | 0 TO 5,000 PSI |
| SPEED | 3 FT/SEC |

PISTON SEAL ASSEMBLIES

| Part Number | A Nom. ID | B Nom. OD | C Nom. Ht | O-RING DASH NUMBER | D GROOVE WIDTH | H GROOVE DIAMETER | I PISTON DIAMETER | J BORE DIAMETER | List Price |
|-------------|--------------|--------------|--------------|-----------------------|------------------------|-------------------------|-------------------------|-------------------------|---------------|
| PSC-222F | 1-1/2 | 1-3/4 | .15 | -222 | .185 +.005 +.000 | 1.504 +.000 -.002 | 1.748 +.000 -.002 | 1.750 +.002 +.000 | \$9.47 |
| PSC-326F | 1-5/8 | 2 | .255 | -326 | .280 +.005 +.000 | 1.625 +.000 -.002 | 1.998 +.000 -.002 | 2.000 +.002 +.000 | 10.72 |
| PSC-328F | 1-7/8 | 2-1/4 | .255 | -328 | .280 +.005 +.000 | 1.875 +.000 -.002 | 2.248 +.000 -.002 | 2.250 +.002 +.000 | 12.51 |
| PSC-330F | 2-1/8 | 2-1/2 | .255 | -330 | .280 +.005 +.000 | 2.125 +.000 -.002 | 2.498 +.000 -.002 | 2.500 +.002 +.000 | 14.25 |
| PSC-332F | 2-3/8 | 2-3/4 | .255 | -332 | .280 +.005 +.000 | 2.374 +.000 -.004 | 2.747 +.000 -.004 | 2.749 +.004 +.000 | 15.48 |
| PSC-333F | 2-1/2 | 2-7/8 | .255 | -333 | .280 +.005 +.000 | 2.499 +.000 -.004 | 2.872 +.000 -.004 | 2.874 +.004 +.000 | 15.92 |
| PSC-334F | 2-5/8 | 3 | .255 | -334 | .280 +.005 +.000 | 2.625 -.001 -.003 | 2.997 +.000 -.004 | 3.000 +.003 -.001 | 16.64 |
| PSC-335F | 2-3/4 | 3-1/8 | .255 | -335 | .280 +.005 +.000 | 2.750 -.001 -.005 | 3.122 +.000 -.004 | 3.125 +.003 -.001 | 17.40 |
| PSC-338F | 3-1/8 | 3-1/2 | .255 | -338 | .280 +.005 +.000 | 3.125 +.000 -.004 | 3.498 +.000 -.004 | 3.500 +.004 +.000 | 19.65 |
| PSC-340F | 3-3/8 | 3-3/4 | .255 | -340 | .280 +.005 +.000 | 3.375 +.000 -.004 | 3.748 +.000 -.004 | 3.752 +.004 +.000 | 21.43 |
| PSC-342F | 3-5/8 | 4 | .255 | -342 | .280 +.005 +.000 | 3.625 +.000 -.004 | 3.998 +.000 -.004 | 4.000 +.004 +.000 | 23.84 |
| PSC-343F | 3-3/4 | 4-1/8 | .255 | -343 | .280 +.005 +.000 | 3.750 +.000 -.004 | 4.123 +.000 -.004 | 4.125 +.004 +.000 | 24.38 |
| PSC-346F | 4-1/8 | 4-1/2 | .255 | -346 | .280 +.005 +.000 | 4.125 +.000 -.004 | 4.498 +.000 -.004 | 4.500 +.004 +.000 | 29.09 |
| PSC-350F | 4-5/8 | 5 | .255 | -350 | .280 +.005 +.000 | 4.625 +.001 -.003 | 4.999 +.000 -.004 | 5.000 +.005 +.001 | 35.71 |
| PSC-433F | 5-1/2 | 6 | .32 | -433 | .365 +.006 +.000 | 5.521 +.000 -.004 | 5.999 +.000 -.004 | 6.001 +.004 +.000 | 51.73 |

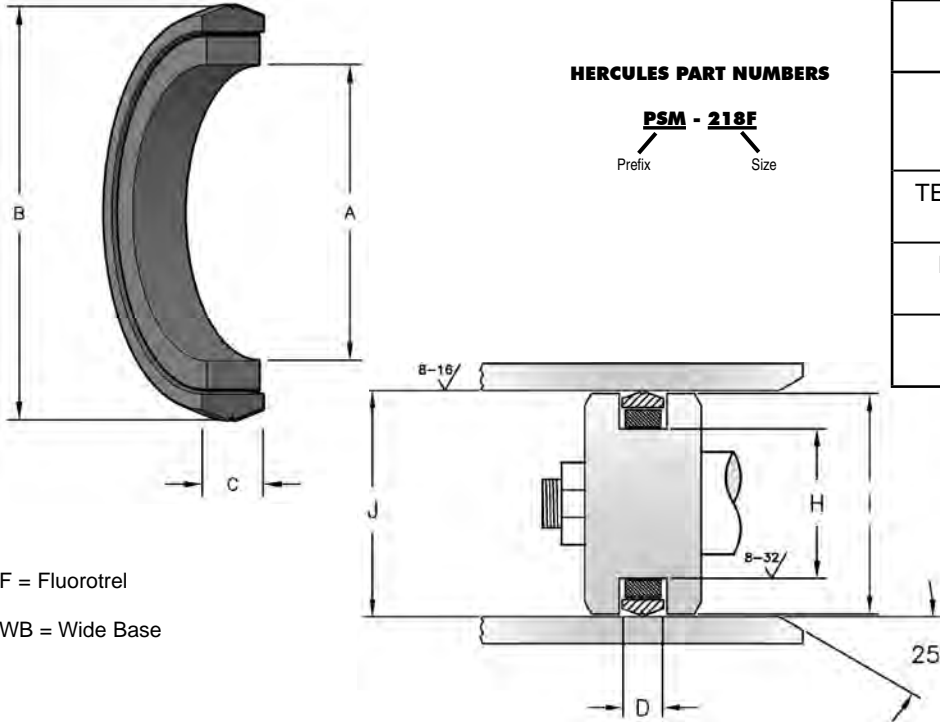
NORTH AMERICA
PHONE 1-800-777-5617
FAX 1-800-759-6391

SALES OFFICE HOURS
8 A.M. TO 7:30 P.M. EASTERN TIME
www.HerculesUS.com

WORLDWIDE
PHONE 1-727-796-1300
FAX 1-727-797-8849

STYLE PSM URETHANE PISTON SEALS

Molded from 93 Shore A polyurethane with a 70 Shore A energizer, this seal utilizes the same groove dimensions as a standard o-ring or T-seal. One or two Style 575 back-up rings may be used for wider grooves. Extrusion resistant by design, this seal is also resistant to rolling and twisting. Installation is an easy two step snap-in procedure with no need to re-size before insertion into the bore. **NOTE:** Piston diameter "I" dimensions are given for pistons without wear rings.



| SEAL INFORMATION | |
|-------------------|---|
| MATERIAL | 93A URETHANE SEAL 70A NITRILE ENERGIZER |
| TEMPERATURE RANGE | -65° TO +220° F |
| PRESSURE RANGE | 0 TO 5,000 PSI |
| SPEED | 3 FT/SEC |

F = Fluorotrel
WB = Wide Base

PISTON SEAL ASSEMBLIES

| Part Number | A Nom. ID | B Nom. OD | C Nom. Ht | O-RING DASH NUMBER | D GROOVE WIDTH | H GROOVE DIAMETER | I PISTON DIAMETER | J BORE DIAMETER | List Price |
|-------------|--------------|--------------|--------------|-----------------------|--|--|--|---|------------|
| PSM-218F | 1-1/4 | 1-1/2 | .15 | -218 | .185 ⁺⁰⁰⁵ / ₊₀₀₀ | 1.254 ⁺⁰⁰⁰ / _{-.002} | 1.498 ⁺⁰⁰⁰ / _{-.002} | 1.500 ⁺⁰⁰² / ₊₀₀₀ | \$7.89 |
| PSM-218 | 1-1/4 | 1-1/2 | .165 | -218 | .187 ±.002 | 1.258 ±.002 | 1.498 ⁺⁰⁰⁰ / _{-.002} | 1.500 ±.002 | 6.04 |
| PSM-218-WB | 1-1/4 | 1-1/2 | .265 | -218 | .275 ⁺⁰⁰⁵ / ₊₀₀₀ | 1.258 ⁺⁰⁰⁰ / _{-.002} | 1.497 ⁺⁰⁰⁰ / _{-.001} | 1.500 ⁺⁰⁰³ / ₊₀₀₀ | 7.95 |
| PSM-222 | 1-1/2 | 1-3/4 | .165 | -222 | .187 ±.002 | 1.508 ±.002 | 1.748 ⁺⁰⁰⁰ / _{-.002} | 1.750 ±.002 | 7.00 |
| PSM-326 | 1-5/8 | 2 | .265 | -326 | .281 ±.002 | 1.630 ±.002 | 1.998 ⁺⁰⁰⁰ / _{-.002} | 2.000 ±.002 | 8.22 |
| PSM-326-WB | 1-5/8 | 2 | .395 | -326 | .410 ⁺⁰⁰⁵ / ₊₀₀₀ | 1.630 ⁺⁰⁰⁰ / _{-.003} | 1.997 ⁺⁰⁰⁰ / _{-.001} | 2.000 ⁺⁰⁰³ / ₊₀₀₀ | 10.17 |
| PSM-328 | 1-7/8 | 2-1/4 | .265 | -328 | .281 ±.002 | 1.880 ±.002 | 2.248 ⁺⁰⁰⁰ / _{-.002} | 2.250 ±.002 | 8.96 |
| PSM-329 | 2 | 2-3/8 | .265 | -329 | .281 ±.002 | 2.005 ±.002 | 2.373 ⁺⁰⁰⁰ / _{-.002} | 2.375 ±.002 | 8.96 |
| PSM-330 | 2-1/8 | 2-1/2 | .265 | -330 | .281 ±.002 | 2.130 ±.002 | 2.498 ⁺⁰⁰⁰ / _{-.002} | 2.500 ±.002 | 10.15 |
| PSM-330-WB | 2-1/8 | 2-1/2 | .395 | -330 | .410 ⁺⁰⁰⁵ / ₊₀₀₀ | 2.130 ⁺⁰⁰⁰ / _{-.003} | 2.497 ⁺⁰⁰⁰ / _{-.001} | 2.500 ⁺⁰⁰³ / ₊₀₀₀ | 13.62 |
| PSM-332 | 2-3/8 | 2-3/4 | .265 | -332 | .281 ±.002 | 2.380 ±.002 | 2.747 ⁺⁰⁰⁰ / _{-.004} | 2.750 ±.002 | 10.93 |
| PSM-48A | 2-3/8 | 3 | .235 | N/A | .250 ⁺⁰⁰⁵ / ₊₀₀₀ | 2.380 ⁺⁰⁰⁰ / _{-.004} | 2.997 ⁺⁰⁰⁰ / _{-.004} | 3.000 ⁺⁰⁰⁴ / ₊₀₀₀ | 40.01 |
| PSM-334 | 2-5/8 | 3 | .265 | -334 | .281 ±.002 | 2.630 ±.002 | 2.997 ⁺⁰⁰⁰ / _{-.004} | 3.000 ±.002 | 12.12 |
| PSM-334-WB | 2-5/8 | 3 | .395 | -334 | .410 ⁺⁰⁰⁵ / ₊₀₀₀ | 2.630 ⁺⁰⁰⁰ / _{-.004} | 2.997 ⁺⁰⁰⁰ / _{-.001} | 3.000 ⁺⁰⁰⁴ / ₊₀₀₀ | 15.78 |
| PSM-336 | 2-7/8 | 3-1/4 | .265 | -336 | .281 ±.002 | 2.880 ±.002 | 3.247 ⁺⁰⁰⁰ / _{-.004} | 3.250 ±.002 | 12.12 |

FORMERLY LISTED SEALS ARE AVAILABLE ONLINE AT WWW.HERCULESUS.COM
OR BY CONTACTING YOUR REGIONAL HERCULES SALES TEAM.



STYLE PSM URETHANE PISTON SEALS

PISTON SEAL ASSEMBLIES

| Part Number | A Nom. ID | B Nom. OD | C Nom. Ht | O-RING DASH NUMBER | D GROOVE WIDTH | H GROOVE DIAMETER | I PISTON DIAMETER | J BORE DIAMETER | List Price |
|-------------|--------------|--------------|--------------|-----------------------|--|--|--|---|---------------|
| PSM-338 | 3-1/8 | 3-1/2 | .265 | -338 | .281 ±.002 | 3.130 ±.002 | 3.498 ^{+0.000} _{-.004} | 3.500 ±.002 | 14.08 |
| PSM-338-WB | 3-1/8 | 3-1/2 | .395 | -338 | .410 ^{+0.005} _{+0.000} | 3.130 ^{+0.000} _{-.004} | 3.497 ^{+0.000} _{-.001} | 3.500 ^{+0.004} _{+0.000} | 18.69 |
| PSM-340 | 3-3/8 | 3-3/4 | .265 | -340 | .281 ±.002 | 3.380 ^{-0.008} _{-.002} | 3.748 ^{+0.000} _{-.004} | 3.750 ±.002 | 15.63 |
| PSM-342 | 3-5/8 | 4 | .265 | -342 | .281 ±.002 | 3.630 ±.002 | 3.998 ^{+0.000} _{-.004} | 4.000 ±.002 | 17.92 |
| PSM-342-WB | 3-5/8 | 4 | .395 | -342 | .410 ^{+0.005} _{+0.000} | 3.630 ^{+0.000} _{-.004} | 3.997 ^{+0.000} _{-.001} | 4.000 ^{+0.004} _{+0.000} | 22.63 |
| PSM-344 | 3-7/8 | 4-1/4 | .265 | -344 | .281 ±.002 | 3.880 ±.002 | 4.248 ^{+0.000} _{-.004} | 4.250 ±.002 | 19.51 |
| PSM-346 | 4-1/8 | 4-1/2 | .265 | -346 | .281 ±.002 | 4.130 ±.002 | 4.498 ^{+0.000} _{-.004} | 4.500 ±.002 | 20.24 |
| PSM-425-WB | 4-1/2 | 5 | .518 | -425 | .538 ^{+0.005} _{+0.000} | 4.528 ^{+0.000} _{-.004} | 4.997 ^{+0.000} _{-.001} | 5.000 ^{+0.004} _{+0.000} | 34.08 |
| PSM-350 | 4-5/8 | 5 | .265 | -350 | .281 ±.002 | 4.630 ±.002 | 4.999 ^{+0.000} _{-.004} | 5.000 ±.002 | 28.80 |
| PSM-429 | 5 | 5-1/2 | .35 | -429 | .375 ±.002 | 5.028 ±.002 | 5.499 ^{+0.000} _{-.004} | 5.502 ±.002 | 33.88 |
| PSM-433 | 5-1/2 | 6 | .35 | -433 | .375 ±.002 | 5.528 ±.002 | 5.999 ^{+0.000} _{-.004} | 6.002 ±.002 | 37.07 |
| PSM-433-WB | 5-1/2 | 6 | .518 | -433 | .538 ^{+0.005} _{+0.000} | 5.528 ^{+0.000} _{-.004} | 5.997 ^{+0.000} _{-.001} | 6.000 ^{+0.004} _{+0.000} | 46.16 |
| PSM-437 | 6 | 6-1/2 | .35 | -437 | .375 ±.002 | 6.028 ±.002 | 6.498 ^{+0.000} _{-.006} | 6.502 ±.002 | 39.36 |
| PSM-439 | 6-1/2 | 7 | .35 | -439 | .375 ±.002 | 6.528 ±.002 | 6.998 ^{+0.000} _{-.006} | 7.002 ±.002 | 42.06 |
| PSM-441 | 7 | 7-1/2 | .35 | -441 | .365 ^{+0.006} _{+0.000} | 7.020 ^{+0.000} _{-.006} | 7.498 ^{+0.000} _{-.006} | 7.500 ^{+0.006} _{+0.000} | 44.36 |
| PSM-443 | 7-1/2 | 8 | .35 | -443 | .365 ^{+0.006} _{+0.000} | 7.520 ^{+0.000} _{-.006} | 7.998 ^{+0.000} _{-.006} | 8.000 ^{+0.006} _{+0.000} | 46.76 |
| PSM-445 | 8 | 8-1/2 | .35 | -445 | .365 ^{+0.006} _{+0.000} | 8.020 ^{+0.000} _{-.006} | 8.498 ^{+0.000} _{-.006} | 8.500 ^{+0.006} _{+0.000} | 49.06 |
| PSM-446 | 8-1/2 | 9 | .35 | -446 | .365 ^{+0.006} _{+0.000} | 8.520 ^{+0.000} _{-.006} | 8.998 ^{+0.000} _{-.006} | 9.000 ^{+0.006} _{+0.000} | 49.06 |

NORTH AMERICA
PHONE 1-800-777-5617
FAX 1-800-759-6391

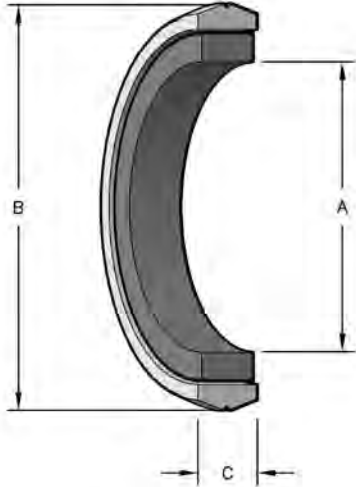
SALES OFFICE HOURS
8 A.M. TO 7:30 P.M. EASTERN TIME
www.HerculesUS.com

WORLDWIDE
PHONE 1-727-796-1300
FAX 1-727-797-8849

NEW FOR 2016

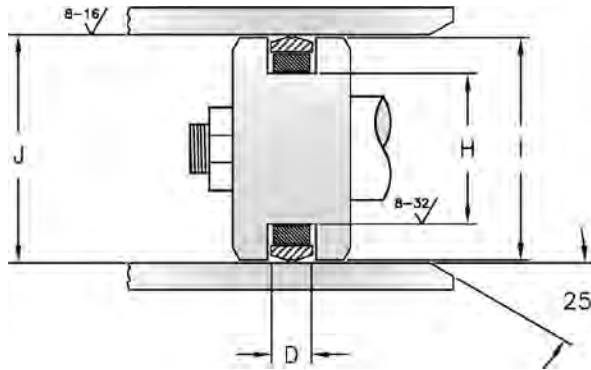
STYLE PSM-DPAC URETHANE PISTON SEALS

This style of seal provides effective static and dynamic sealing while the groove on the sealing surface acts as a lubrication reservoir to reduce friction. Grooves on both sides prevent blow by during sudden pressure changes and a premium NBR square energizer prevents twisting. This product is molded from premium urethane which provides excellent extrusion and wear resistance.



HERCULES PART NUMBERS

PSM - 218 - DPAC
 Prefix Size



| SEAL INFORMATION | |
|-------------------|------------------------------------|
| MATERIAL | 98A URETHANE SEAL NBR ENERGIZER |
| TEMPERATURE RANGE | -22°F TO 212°F |
| PRESSURE RANGE | 0 TO 5800 PSI |
| SPEED | 1.5 FT/SEC |

PISTON SEAL ASSEMBLIES

| Part Number | A Nom. ID | B Nom. OD | C Nom. Ht | O-RING DASH NUMBER | D GROOVE WIDTH | H GROOVE DIAMETER | I PISTON DIAMETER | J BORE DIAMETER | List Price |
|--------------|--------------|--------------|--------------|-----------------------|--|---|---|---|---------------|
| PSM-218-DPAC | 1-1/4 | 1-1/2 | .157 | -218 | .187 ^{+0.005} / _{+0.000} | 1.258 ^{+0.000} / _{-0.003} | 1.497 ^{+0.000} / _{-0.002} | 1.500 ^{+0.003} / _{+0.000} | \$7.05 |
| PSM-222-DPAC | 1-1/2 | 1-3/4 | .157 | -222 | .187 ^{+0.005} / _{+0.000} | 1.508 ^{+0.000} / _{-0.003} | 1.747 ^{+0.000} / _{-0.002} | 1.750 ^{+0.003} / _{+0.000} | 7.31 |
| PSM-326-DPAC | 1-5/8 | 2 | 1/4 | -326 | .281 ^{+0.005} / _{+0.000} | 1.630 ^{+0.000} / _{-0.003} | 1.997 ^{+0.000} / _{-0.002} | 2.000 ^{+0.003} / _{+0.000} | 5.85 |
| PSM-328-DPAC | 1-7/8 | 2-1/4 | 1/4 | -328 | .281 ^{+0.005} / _{+0.000} | 1.880 ^{+0.000} / _{-0.003} | 2.247 ^{+0.000} / _{-0.002} | 2.250 ^{+0.003} / _{+0.000} | 9.75 |
| PSM-330-DPAC | 2-1/8 | 2-1/2 | 1/4 | -330 | .281 ^{+0.005} / _{+0.000} | 2.130 ^{+0.000} / _{-0.003} | 2.497 ^{+0.000} / _{-0.002} | 2.500 ^{+0.003} / _{+0.000} | 10.27 |
| PSM-332-DPAC | 2-3/8 | 2-3/4 | 1/4 | -332 | .281 ^{+0.005} / _{+0.000} | 2.380 ^{+0.000} / _{-0.003} | 2.747 ^{+0.000} / _{-0.004} | 2.750 ^{+0.003} / _{+0.000} | 10.79 |
| PSM-334-DPAC | 2-5/8 | 3 | 1/4 | -334 | .281 ^{+0.005} / _{+0.000} | 2.630 ^{+0.000} / _{-0.004} | 2.997 ^{+0.000} / _{-0.004} | 3.000 ^{+0.004} / _{+0.000} | 9.82 |
| PSM-336-DPAC | 2-7/8 | 3-1/4 | 1/4 | -336 | .281 ^{+0.005} / _{+0.000} | 2.880 ^{+0.000} / _{-0.004} | 3.247 ^{+0.000} / _{-0.004} | 3.250 ^{+0.004} / _{+0.000} | 14.11 |
| PSM-338-DPAC | 3-1/8 | 3-1/2 | 1/4 | -338 | .281 ^{+0.005} / _{+0.000} | 3.130 ^{+0.000} / _{-0.004} | 3.497 ^{+0.000} / _{-0.004} | 3.500 ^{+0.004} / _{+0.000} | 14.99 |
| PSM-340-DPAC | 3-3/8 | 3-3/4 | 1/4 | -340 | .281 ^{+0.005} / _{+0.000} | 3.380 ^{+0.000} / _{-0.004} | 3.747 ^{+0.000} / _{-0.004} | 3.750 ^{+0.004} / _{+0.000} | 16.16 |
| PSM-342-DPAC | 3-5/8 | 4 | 1/4 | -342 | .281 ^{+0.005} / _{+0.000} | 3.630 ^{+0.000} / _{-0.004} | 3.997 ^{+0.000} / _{-0.004} | 4.000 ^{+0.004} / _{+0.000} | 17.72 |
| PSM-344-DPAC | 3-7/8 | 4-1/4 | 1/4 | -344 | .281 ^{+0.005} / _{+0.000} | 3.880 ^{+0.000} / _{-0.004} | 4.247 ^{+0.000} / _{-0.004} | 4.250 ^{+0.004} / _{+0.000} | 20.87 |
| PSM-346-DPAC | 4-1/8 | 4-1/2 | 1/4 | -346 | .281 ^{+0.005} / _{+0.000} | 4.130 ^{+0.000} / _{-0.004} | 4.497 ^{+0.000} / _{-0.004} | 4.500 ^{+0.004} / _{+0.000} | 18.51 |
| PSM-348-DPAC | 4-3/8 | 4-3/4 | 1/4 | -348 | .281 ^{+0.005} / _{+0.000} | 4.380 ^{+0.000} / _{-0.004} | 4.747 ^{+0.000} / _{-0.004} | 4.750 ^{+0.004} / _{+0.000} | 23.71 |
| PSM-350-DPAC | 4-5/8 | 5 | 1/4 | -350 | .281 ^{+0.005} / _{+0.000} | 4.630 ^{+0.000} / _{-0.004} | 4.998 ^{+0.000} / _{-0.004} | 5.002 ^{+0.004} / _{+0.000} | 25.18 |

FORMERLY LISTED SEALS ARE AVAILABLE ONLINE AT WWW.HERCULESUS.COM
 OR BY CONTACTING YOUR REGIONAL HERCULES SALES TEAM.



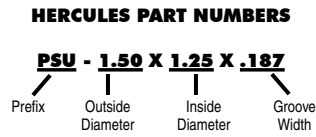
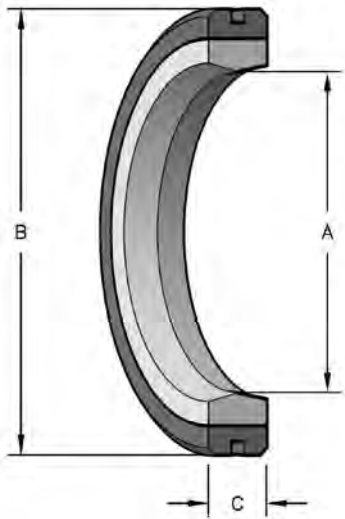
STYLE PSM-DPAC URETHANE PISTON SEALS

| Part Number | A Nom. ID | B Nom. OD | C Nom. Ht | O-RING DASH NUMBER | D GROOVE WIDTH | H GROOVE DIAMETER | I PISTON DIAMETER | J BORE DIAMETER | List Price |
|--------------|--------------|--------------|--------------|-----------------------|--|--|--|---|---------------|
| PSM-427-DPAC | 4-3/4 | 5-1/4 | .345 | -427 | .375 ^{+0.005} / _{+0.000} | 4.778 ^{+0.000} / _{-.004} | 5.248 ^{+0.000} / _{-.004} | 5.252 ^{+0.004} / _{+0.000} | 30.56 |
| PSM-429-DPAC | 5 | 5-1/2 | .345 | -429 | .375 ^{+0.005} / _{+0.000} | 5.028 ^{+0.000} / _{-.004} | 5.498 ^{+0.000} / _{-.004} | 5.520 ^{+0.004} / _{+0.000} | 30.56 |
| PSM-433-DPAC | 5-1/2 | 6 | .345 | -433 | .375 ^{+0.005} / _{+0.000} | 5.528 ^{+0.000} / _{-.004} | 5.998 ^{+0.000} / _{-.004} | 6.002 ^{+0.004} / _{+0.000} | 33.01 |

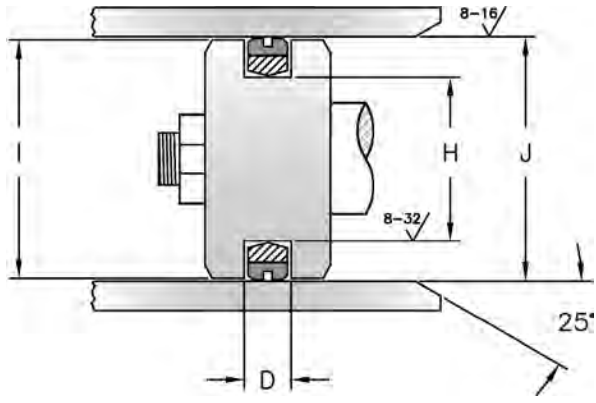
PISTON SEAL ASSEMBLIES

STYLE PSU PISTON SEALS

Our Style PSU piston seal, or uniring, is a laminated one piece double acting seal made of cast polyurethane. The tough outer layer is highly resistant to abrasion and is impregnated with molybdenum disulfide to reduce friction. The softer inner layer acts as a static seal and also energizes the OD to make full contact with the bore. This seal may be used to replace an existing Uniring or other seals of the same dimensions -- O-rings, O-rings with back-ups, T-seals, U-seals, etc. **NOTE:** Piston diameter "I" dimensions are given for pistons without wear rings.



| SEAL INFORMATION | |
|-------------------|------------------------------|
| MATERIAL | 60D & 57A URETHANE COMPOSITE |
| TEMPERATURE RANGE | -65° TO +220° F |
| PRESSURE RANGE | 0 TO 5,000 PSI |
| SPEED | 3 FT/SEC |



PISTON SEAL ASSEMBLIES

| Part Number | A Nom. ID | B Nom. OD | C Nom. Ht | D GROOVE WIDTH | H GROOVE DIAMETER | I PISTON DIAMETER | J BORE DIAMETER | List Price |
|--------------------|-----------|-----------|-----------|--|---|--|---|------------|
| PSU-1.50X1.00X.375 | 1 | 1-1/2 | 3/8 | .394 ^{+0.015} / _{+0.000} | 1.000 ^{+0.005} / _{+0.000} | 1.499 ^{+0.000} / _{-.004} | 1.500 ^{+0.006} / _{+0.000} | \$8.32 |
| PSU-1.50X1.12X.250 | 1-1/8 | 1-1/2 | 1/4 | .263 ^{+0.015} / _{+0.000} | 1.125 ^{+0.004} / _{+0.000} | 1.499 ^{+0.000} / _{-.004} | 1.500 ^{+0.004} / _{+0.000} | 6.26 |
| PSU-1.50X1.25X.187 | 1-1/4 | 1-1/2 | .187 | .196 ^{+0.015} / _{+0.000} | 1.250 ^{+0.003} / _{+0.000} | 1.499 ^{+0.000} / _{-.004} | 1.500 ^{+0.003} / _{+0.000} | 4.66 |
| PSU-1.75X1.25X.375 | 1-1/4 | 1-3/4 | 3/8 | .394 ^{+0.015} / _{+0.000} | 1.250 ^{+0.005} / _{+0.000} | 1.749 ^{+0.000} / _{-.004} | 1.750 ^{+0.006} / _{+0.000} | 8.70 |
| PSU-1.75X1.37X.250 | 1-3/8 | 1-3/4 | 1/4 | .263 ^{+0.015} / _{+0.000} | 1.375 ^{+0.004} / _{+0.000} | 1.749 ^{+0.000} / _{-.004} | 1.750 ^{+0.004} / _{+0.000} | 6.39 |
| PSU-1.75X1.37X.500 | 1-3/8 | 1-3/4 | 1/2 | .526 ^{+0.015} / _{+0.000} | 1.375 ^{+0.004} / _{+0.000} | 1.749 ^{+0.000} / _{-.004} | 1.750 ^{+0.004} / _{+0.000} | 11.28 |
| PSU-2.00X1.50X.375 | 1-1/2 | 2 | 3/8 | .394 ^{+0.015} / _{+0.000} | 1.500 ^{+0.005} / _{+0.000} | 1.999 ^{+0.000} / _{-.004} | 2.000 ^{+0.006} / _{+0.000} | 10.22 |
| PSU-2.00X1.62X.312 | 1-5/8 | 2 | .312 | .328 ^{+0.015} / _{+0.000} | 1.625 ^{+0.004} / _{+0.000} | 1.999 ^{+0.000} / _{-.004} | 2.000 ^{+0.004} / _{+0.000} | 8.08 |
| PSU-2.00X1.62X.375 | 1-5/8 | 2 | 3/8 | .394 ^{+0.015} / _{+0.000} | 1.625 ^{+0.004} / _{+0.000} | 1.999 ^{+0.000} / _{-.004} | 2.000 ^{+0.004} / _{+0.000} | 9.28 |
| PSU-2.25X1.87X.312 | 1-7/8 | 2-1/4 | .312 | .328 ^{+0.015} / _{+0.000} | 1.875 ^{+0.004} / _{+0.000} | 2.249 ^{+0.000} / _{-.004} | 2.250 ^{+0.004} / _{+0.000} | 10.02 |
| PSU-2.50X2.00X.375 | 2 | 2-1/2 | 3/8 | .394 ^{+0.015} / _{+0.000} | 2.000 ^{+0.005} / _{+0.000} | 2.499 ^{+0.000} / _{-.004} | 2.500 ^{+0.006} / _{+0.000} | 10.02 |
| PSU-2.50X2.12X.312 | 2-1/8 | 2-1/2 | .312 | .328 ^{+0.015} / _{+0.000} | 2.125 ^{+0.004} / _{+0.000} | 2.499 ^{+0.000} / _{-.004} | 2.500 ^{+0.004} / _{+0.000} | 8.89 |

FORMERLY LISTED SEALS ARE AVAILABLE ONLINE AT WWW.HERCULESUS.COM OR BY CONTACTING YOUR REGIONAL HERCULES SALES TEAM.



STYLE PSU PISTON SEALS

PISTON SEAL ASSEMBLIES

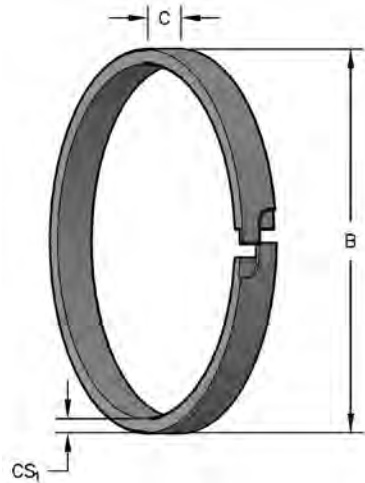
| Part Number | A Nom. ID | B Nom. OD | C Nom. Ht | D GROOVE WIDTH | H GROOVE DIAMETER | I PISTON DIAMETER | J BORE DIAMETER | List Price |
|--------------------|--------------|--------------|--------------|--|---|--|---|---------------|
| PSU-2.50X2.12X.375 | 2-1/8 | 2-1/2 | 3/8 | .394 ^{+0.015} / _{+0.000} | 2.125 ^{+0.004} / _{+0.000} | 2.499 ^{+0.000} / _{-.004} | 2.500 ^{+0.004} / _{+0.000} | 9.94 |
| PSU-2.75X2.37X.312 | 2-3/8 | 2-3/4 | .312 | .328 ^{+0.015} / _{+0.000} | 2.375 ^{+0.004} / _{+0.000} | 2.749 ^{+0.000} / _{-.004} | 2.750 ^{+0.004} / _{+0.000} | 9.76 |
| PSU-3.00X2.50X.375 | 2-1/2 | 3 | 3/8 | .394 ^{+0.015} / _{+0.000} | 2.500 ^{+0.005} / _{+0.000} | 2.999 ^{+0.000} / _{-.004} | 3.000 ^{+0.006} / _{+0.000} | 10.62 |
| PSU-3.00X2.50X.500 | 2-1/2 | 3 | 1/2 | .526 ^{+0.015} / _{+0.000} | 2.500 ^{+0.005} / _{+0.000} | 2.999 ^{+0.000} / _{-.004} | 3.000 ^{+0.006} / _{+0.000} | 21.65 |
| PSU-3.00X2.62X.312 | 2-5/8 | 3 | .312 | .328 ^{+0.015} / _{+0.000} | 2.625 ^{+0.004} / _{+0.000} | 2.999 ^{+0.000} / _{-.004} | 3.000 ^{+0.004} / _{+0.000} | 10.62 |
| PSU-3.00X2.62X.375 | 2-5/8 | 3 | 3/8 | .394 ^{+0.015} / _{+0.000} | 2.625 ^{+0.004} / _{+0.000} | 2.999 ^{+0.000} / _{-.004} | 3.000 ^{+0.004} / _{+0.000} | 10.62 |
| PSU-3.25X2.75X.550 | 2-3/4 | 3-1/4 | .55 | .577 ^{+0.015} / _{+0.000} | 2.750 ^{+0.005} / _{+0.000} | 3.249 ^{+0.000} / _{-.004} | 3.250 ^{+0.006} / _{+0.000} | 17.11 |
| PSU-3.25X2.87X.312 | 2-7/8 | 3-1/4 | .312 | .328 ^{+0.015} / _{+0.000} | 2.875 ^{+0.004} / _{+0.000} | 3.249 ^{+0.000} / _{-.004} | 3.250 ^{+0.004} / _{+0.000} | 10.88 |
| PSU-3.50X3.00X.375 | 3 | 3-1/2 | 3/8 | .394 ^{+0.015} / _{+0.000} | 3.000 ^{+0.005} / _{+0.000} | 3.499 ^{+0.000} / _{-.004} | 3.500 ^{+0.006} / _{+0.000} | 11.94 |
| PSU-3.50X3.12X.312 | 3-1/8 | 3-1/2 | .312 | .328 ^{+0.015} / _{+0.000} | 3.125 ^{+0.004} / _{+0.000} | 3.499 ^{+0.000} / _{-.004} | 3.500 ^{+0.004} / _{+0.000} | 11.19 |
| PSU-3.50X3.12X.375 | 3-1/8 | 3-1/2 | 3/8 | .394 ^{+0.015} / _{+0.000} | 3.125 ^{+0.004} / _{+0.000} | 3.499 ^{+0.000} / _{-.004} | 3.500 ^{+0.004} / _{+0.000} | 11.37 |
| PSU-3.75X3.37X.312 | 3-3/8 | 3-3/4 | .312 | .328 ^{+0.015} / _{+0.000} | 3.375 ^{+0.004} / _{+0.000} | 3.749 ^{+0.000} / _{-.004} | 3.750 ^{+0.004} / _{+0.000} | 11.61 |
| PSU-4.00X3.50X.375 | 3-1/2 | 4 | 3/8 | .394 ^{+0.015} / _{+0.000} | 3.500 ^{+0.005} / _{+0.000} | 3.999 ^{+0.000} / _{-.004} | 4.000 ^{+0.006} / _{+0.000} | 17.58 |
| PSU-4.00X3.62X.375 | 3-5/8 | 4 | 3/8 | .394 ^{+0.015} / _{+0.000} | 3.625 ^{+0.004} / _{+0.000} | 3.999 ^{+0.000} / _{-.004} | 4.000 ^{+0.004} / _{+0.000} | 12.11 |
| PSU-4.50X4.00X.375 | 4 | 4-1/2 | 3/8 | .394 ^{+0.015} / _{+0.000} | 4.000 ^{+0.005} / _{+0.000} | 4.499 ^{+0.000} / _{-.004} | 4.500 ^{+0.006} / _{+0.000} | 14.61 |
| PSU-4.50X4.00X.562 | 4 | 4-1/2 | .562 | .591 ^{+0.015} / _{+0.000} | 4.000 ^{+0.005} / _{+0.000} | 4.499 ^{+0.000} / _{-.004} | 4.500 ^{+0.006} / _{+0.000} | 20.81 |
| PSU-5.00X4.37X.500 | 4-3/8 | 5 | 1/2 | .526 ^{+0.015} / _{+0.000} | 4.375 ^{+0.006} / _{+0.000} | 4.999 ^{+0.000} / _{-.004} | 5.000 ^{+0.006} / _{+0.000} | 38.88 |
| PSU-5.00X4.50X.375 | 4-1/2 | 5 | 3/8 | .394 ^{+0.015} / _{+0.000} | 4.500 ^{+0.005} / _{+0.000} | 4.999 ^{+0.000} / _{-.004} | 5.000 ^{+0.006} / _{+0.000} | 15.94 |
| PSU-5.00X4.50X.500 | 4-1/2 | 5 | 1/2 | .526 ^{+0.015} / _{+0.000} | 4.500 ^{+0.005} / _{+0.000} | 4.999 ^{+0.000} / _{-.004} | 5.000 ^{+0.006} / _{+0.000} | 26.27 |
| PSU-5.00X4.50X.562 | 4-1/2 | 5 | .562 | .591 ^{+0.015} / _{+0.000} | 4.500 ^{+0.005} / _{+0.000} | 4.999 ^{+0.000} / _{-.004} | 5.000 ^{+0.006} / _{+0.000} | 26.27 |
| PSU-5.25X4.75X.562 | 4-3/4 | 5-1/4 | .562 | .591 ^{+0.015} / _{+0.000} | 4.750 ^{+0.005} / _{+0.000} | 5.249 ^{+0.000} / _{-.004} | 5.250 ^{+0.006} / _{+0.000} | 26.51 |
| PSU-5.50X5.00X.375 | 5 | 5-1/2 | 3/8 | .394 ^{+0.015} / _{+0.000} | 5.000 ^{+0.005} / _{+0.000} | 5.499 ^{+0.000} / _{-.004} | 5.500 ^{+0.006} / _{+0.000} | 33.40 |
| PSU-6.00X5.50X.375 | 5-1/2 | 6 | 3/8 | .394 ^{+0.015} / _{+0.000} | 5.500 ^{+0.005} / _{+0.000} | 5.999 ^{+0.000} / _{-.004} | 6.000 ^{+0.006} / _{+0.000} | 36.28 |
| PSU-6.00X5.50X.562 | 5-1/2 | 6 | .562 | .591 ^{+0.015} / _{+0.000} | 5.500 ^{+0.005} / _{+0.000} | 5.999 ^{+0.000} / _{-.004} | 6.000 ^{+0.006} / _{+0.000} | 36.28 |
| PSU-6.50X6.00X.562 | 6 | 6-1/2 | .562 | .591 ^{+0.015} / _{+0.000} | 6.000 ^{+0.005} / _{+0.000} | 6.499 ^{+0.000} / _{-.004} | 6.500 ^{+0.006} / _{+0.000} | 36.69 |

NORTH AMERICA
PHONE 1-800-777-5617
FAX 1-800-759-6391

SALES OFFICE HOURS
8 A.M. TO 7:30 P.M. EASTERN TIME
www.HerculesUS.com

WORLDWIDE
PHONE 1-727-796-1300
FAX 1-727-797-8849

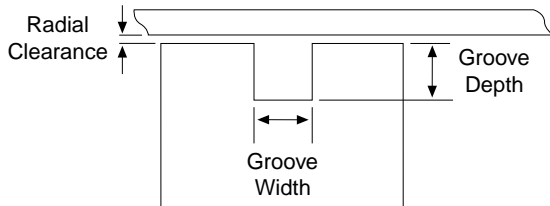
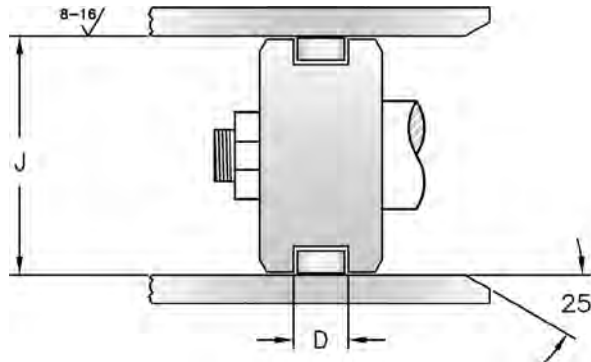
STYLE SPR IRON PISTON RINGS



BC = Butt Cut
H = Hook Joint

HERCULES PART NUMBERS

PSM - 218F
Prefix Size



| SEAL INFORMATION | |
|------------------|------|
| MATERIAL | IRON |

END CLEARANCE
End clearance on piston rings depends on ring design, material and application. The following end clearances are provided as a standard for hydraulic cylinder applications.

| DIAMETER | BUTT & ANGLE CUT END CLEARANCE | OVERLAPPING JOINT & STEP CUT END CLEARANCE |
|---------------|--------------------------------|--|
| .500-4.561 | .003/.010 | .005/.015 |
| 4.562-19.970 | .005/.015 | .010/.020 |
| 19.971-30.500 | .010/.025 | .015/.030 |

IRON PISTON RINGS

When using iron piston rings, it is crucial to use the correct groove design for proper performance of the cylinder. Please use the following guidelines when cutting an iron piston ring groove.

GROOVE WIDTH: To permit the ring to slide freely into the groove, the groove must be at least 0.001" wider than the maximum piston ring width with a tolerance of +0.003"/-0.000".

GROOVE DEPTH: Grooves must be at least 0.015" deeper than the maximum radial wall thickness of the piston ring with a tolerance of +0.003"/-0.000". This is to avoid any possibility of the ring bottoming in the groove when the ring is compressed to its working diameter.

RADIAL CLEARANCE: The radial clearance between the cylinder bore and piston should be less than 1/3 of the radial wall thickness of the piston ring to ensure sealing effectiveness.

| Part Number | B Nom. OD | C Nom. Ht | D GROOVE WIDTH | J BORE DIAMETER | C HEIGHT | CS ₁ RING CROSS SECTION | List Price |
|-------------|--------------|--------------|---|--------------------|--|---|------------|
| SPR-1001 | 1 | 3/32 | .095 ^{+0.003} / _{+0.000} | 1.000 | .0935 ^{+0.000} / _{-.001} | .055 ^{+0.000} / _{-.010} | \$17.59 |
| SPR-1000 | 1 | 1/8 | .1255 ^{+0.003} / _{+0.000} | 1.000 | .124 ^{+0.000} / _{-.001} | .055 ^{+0.000} / _{-.010} | 11.69 |
| SPR-1375-H | 1-3/8 | .0975 | .0985 ^{+0.003} / _{+0.000} | 1.375 | .0975 ^{+0.000} / _{-.001} | .060 ^{+0.000} / _{-.010} | 30.86 |
| SPR-1501 | 1-1/2 | 3/32 | .095 ^{+0.003} / _{+0.000} | 1.500 | .0935 ^{+0.000} / _{-.001} | .067 ^{+0.000} / _{-.015} | 22.83 |
| SPR-1500 | 1-1/2 | 1/8 | .1255 ^{+0.003} / _{+0.000} | 1.500 | .124 ^{+0.000} / _{-.001} | .067 ^{+0.000} / _{-.015} | 7.05 |
| SPR-1530 | 1.53 | 1/8 | .1255 ^{+0.003} / _{+0.000} | 1.530 | .124 ^{+0.000} / _{-.001} | .060 ^{+0.000} / _{-.010} | 9.02 |
| SPR-1751 | 1-3/4 | 3/32 | .095 ^{+0.003} / _{+0.000} | 1.750 | .0935 ^{+0.000} / _{-.001} | .075 ^{+0.000} / _{-.015} | 9.96 |



STYLE SPR IRON PISTON RINGS

IRON PISTON RINGS

| Part Number | B Nom. OD | C Nom. Ht | D GROOVE WIDTH | J BORE DIAMETER | C HEIGHT | CS ₁ RING CROSS SECTION | List Price |
|-------------|--------------|--------------|---|--------------------|---|--|---------------|
| SPR-1750 | 1-3/4 | 1/8 | .1255 ^{+0.003} / _{+0.000} | 1.750 | .124 ^{+0.000} / _{-0.001} | .075 ^{+0.000} / _{-0.015} | 9.96 |
| SPR-1875 | 1-7/8 | 1/8 | .1255 ^{+0.003} / _{+0.000} | 1.875 | .124 ^{+0.000} / _{-0.001} | .075 ^{+0.000} / _{-0.015} | 15.46 |
| SPR-2003 | 2 | 3/32 | .095 ^{+0.003} / _{+0.000} | 2.000 | .0935 ^{+0.000} / _{-0.001} | .097 ^{+0.000} / _{-0.015} | 12.41 |
| SPR-2000 | 2 | 1/8 | .1255 ^{+0.003} / _{+0.000} | 2.000 | .124 ^{+0.000} / _{-0.001} | .075 ^{+0.000} / _{-0.015} | 10.66 |
| SPR-2006 | 2 | 1/8 | .1255 ^{+0.003} / _{+0.000} | 2.000 | .124 ^{+0.000} / _{-0.001} | .087 ^{+0.000} / _{-0.010} | 12.41 |
| SPR-2001 | 2 | 3/16 | .188 ^{+0.003} / _{+0.000} | 2.000 | .1865 ^{+0.000} / _{-0.001} | .075 ^{+0.000} / _{-0.015} | 10.32 |
| SPR-2002 | 2 | 1/4 | .2505 ^{+0.003} / _{+0.000} | 2.000 | .249 ^{+0.000} / _{-0.001} | .075 ^{+0.000} / _{-0.015} | 12.88 |
| SPR-2030 | 2.03 | 1/8 | .1255 ^{+0.003} / _{+0.000} | 2.030 | .124 ^{+0.000} / _{-0.001} | .095 ^{+0.000} / _{-0.030} | 12.41 |
| SPR-2126 | 2-1/8 | 1/8 | .1255 ^{+0.003} / _{+0.000} | 2.125 | .124 ^{+0.000} / _{-0.001} | .080 ^{+0.000} / _{-0.015} | 12.53 |
| SPR-2125 | 2-1/8 | 3/16 | .188 ^{+0.003} / _{+0.000} | 2.125 | .1865 ^{+0.000} / _{-0.001} | .080 ^{+0.000} / _{-0.015} | 12.17 |
| SPR-2251 | 2-1/4 | 1/8 | .1255 ^{+0.003} / _{+0.000} | 2.250 | .124 ^{+0.000} / _{-0.001} | .085 ^{+0.000} / _{-0.008} | 12.15 |
| SPR-2250 | 2-1/4 | 3/16 | .188 ^{+0.003} / _{+0.000} | 2.250 | .1865 ^{+0.000} / _{-0.001} | .085 ^{+0.000} / _{-0.015} | 12.53 |
| SPR-2255 | 2-1/4 | 3/16 | .1875 ^{+0.003} / _{+0.000} | 2.250 | .186 ±0.0005 | .112 ^{+0.009} / _{-0.006} | 12.00 |
| SPR-2254 | 2-1/4 | 1/4 | .2505 ^{+0.003} / _{+0.000} | 2.250 | .249 ^{+0.000} / _{-0.001} | .085 ^{+0.000} / _{-0.015} | 13.48 |
| SPR-2376 | 2-3/8 | 3/16 | .188 ^{+0.003} / _{+0.000} | 2.375 | .1865 ^{+0.000} / _{-0.001} | .091 ^{+0.000} / _{-0.015} | 13.48 |
| SPR-2500 | 2-1/2 | 1/8 | .1255 ^{+0.003} / _{+0.000} | 2.500 | .124 ^{+0.000} / _{-0.001} | .097 ^{+0.000} / _{-0.015} | 10.01 |
| SPR-2503 | 2-1/2 | 1/8 | .1255 ^{+0.003} / _{+0.000} | 2.500 | .124 ^{+0.000} / _{-0.001} | .118 ^{+0.000} / _{-0.015} | 14.02 |
| SPR-2501 | 2-1/2 | 3/16 | .188 ^{+0.003} / _{+0.000} | 2.500 | .1865 ^{+0.000} / _{-0.001} | .097 ^{+0.000} / _{-0.015} | 10.01 |
| SPR-2504 | 2-1/2 | 3/16 | .188 ^{+0.003} / _{+0.000} | 2.500 | .1865 ^{+0.000} / _{-0.001} | .118 ^{+0.000} / _{-0.015} | 11.04 |
| SPR-2502 | 2-1/2 | 1/4 | .2505 ^{+0.003} / _{+0.000} | 2.500 | .249 ^{+0.000} / _{-0.001} | .097 ^{+0.000} / _{-0.015} | 10.39 |
| SPR-2530 | 2.53 | 1/8 | .1255 ^{+0.003} / _{+0.000} | 2.530 | .124 ^{+0.000} / _{-0.001} | .095 ^{+0.000} / _{-0.030} | 10.39 |
| SPR-2625 | 2-5/8 | 3/16 | .188 ^{+0.003} / _{+0.000} | 2.625 | .1865 ^{+0.000} / _{-0.001} | .102 ^{+0.000} / _{-0.015} | 13.37 |
| SPR-2752 | 2-3/4 | 5/32 | .1565 ^{+0.003} / _{+0.000} | 2.750 | .156 ^{+0.000} / _{-0.001} | .125 ^{+0.000} / _{-0.025} | 10.54 |
| SPR-2750 | 2-3/4 | 3/16 | .188 ^{+0.003} / _{+0.000} | 2.750 | .1865 ^{+0.000} / _{-0.001} | .106 ^{+0.000} / _{-0.015} | 12.41 |
| SPR-2754 | 2-3/4 | 3/16 | .188 ^{+0.003} / _{+0.000} | 2.750 | .187 ^{+0.000} / _{-0.001} | .118 ^{+0.000} / _{-0.015} | 17.59 |
| SPR-2756 | 2-3/4 | 3/16 | .188 ^{+0.003} / _{+0.000} | 2.750 | .186 ±0.0005 | .124 | 10.42 |
| SPR-2755 | 2.755 | .119 | .120 ^{+0.003} / _{+0.000} | 2.755 | .119 ^{+0.000} / _{-0.001} | .124 ^{+0.000} / _{-0.015} | 14.16 |
| SPR-2875 | 2-7/8 | 3/16 | .188 ^{+0.003} / _{+0.000} | 2.875 | .1865 ^{+0.000} / _{-0.001} | .108 ^{+0.000} / _{-0.015} | 10.54 |
| SPR-3000 | 3 | 3/16 | .188 ^{+0.003} / _{+0.000} | 3.000 | .1865 ^{+0.000} / _{-0.001} | .110 ^{+0.000} / _{-0.015} | 10.41 |
| SPR-3002 | 3 | 3/16 | .191 ^{+0.000} / _{-0.003} | 3.000 | .187 ^{+0.000} / _{-0.001} | .138 ^{+0.000} / _{-0.015} | 11.33 |
| SPR-3001 | 3 | 1/4 | .2505 ^{+0.003} / _{+0.000} | 3.000 | .249 ^{+0.000} / _{-0.001} | .110 ^{+0.000} / _{-0.015} | 10.80 |
| SPR-3003 | 3 | 5/16 | .313 ^{+0.003} / _{+0.000} | 3.000 | .311 ^{+0.000} / _{-0.001} | .110 ^{+0.000} / _{-0.015} | 10.87 |
| SPR-3120 | 3-1/8 | 3/16 | .188 ^{+0.003} / _{+0.000} | 3.125 | .1865 ^{+0.000} / _{-0.001} | .115 ^{+0.000} / _{-0.015} | 12.81 |

NORTH AMERICA
PHONE 1-800-777-5617
FAX 1-800-759-6391

SALES OFFICE HOURS
8 A.M. TO 7:30 P.M. EASTERN TIME
www.HerculesUS.com

WORLDWIDE
PHONE 1-727-796-1300
FAX 1-727-797-8849



STYLE SPR IRON PISTON RINGS

IRON PISTON RINGS

| Part Number | B Nom. OD | C Nom. Ht | D GROOVE WIDTH | J BORE DIAMETER | C HEIGHT | CS ₁ RING CROSS SECTION | List Price |
|-------------|--------------|--------------|---|--------------------|---|--|---------------|
| SPR-3251 | 3-1/4 | 1/8 | .1255 ⁺⁰⁰³ / ₊₀₀₀ | 3.250 | .124 ⁺⁰⁰⁰ / ₋₀₀₁ | .118 ⁺⁰⁰⁰ / ₋₀₁₅ | 10.41 |
| SPR-3253 | 3-1/4 | 5/32 | .1565 ⁺⁰⁰³ / ₊₀₀₀ | 3.250 | .1555 ⁺⁰⁰⁰ / ₋₀₀₁ | .134 ⁺⁰⁰⁰ / ₋₀₁₃ | 10.94 |
| SPR-3250 | 3-1/4 | 3/16 | .188 ⁺⁰⁰³ / ₊₀₀₀ | 3.250 | .1865 ⁺⁰⁰⁰ / ₋₀₀₁ | .118 ⁺⁰⁰⁰ / ₋₀₁₅ | 10.41 |
| SPR-3255 | 3-1/4 | 3/16 | .188 ⁺⁰⁰³ / ₊₀₀₀ | 3.250 | .1865 ⁺⁰⁰⁰ / ₋₀₀₁ | .138 ⁺⁰⁰⁰ / ₋₀₁₅ | 68.47 |
| SPR-3252 | 3-1/4 | 1/4 | .2505 ⁺⁰⁰³ / ₊₀₀₀ | 3.250 | .249 ⁺⁰⁰⁰ / ₋₀₀₁ | .118 ⁺⁰⁰⁰ / ₋₀₁₅ | 10.54 |
| SPR-3260 | 3.26 | 1/4 | .2505 ⁺⁰⁰³ / ₊₀₀₀ | 3.260 | .249 ⁺⁰⁰⁰ / ₋₀₀₁ | .130 ⁺⁰⁰⁰ / ₋₀₁₅ | 12.90 |
| SPR-3280 | 3.28 | 3/16 | .188 ⁺⁰⁰³ / ₊₀₀₀ | 3.280 | .1865 ⁺⁰⁰⁰ / ₋₀₀₁ | .118 ⁺⁰⁰⁰ / ₋₀₁₅ | 10.94 |
| SPR-3375 | 3-3/8 | 3/16 | .188 ⁺⁰⁰³ / ₊₀₀₀ | 3.375 | .1865 ⁺⁰⁰⁰ / ₋₀₀₁ | .121 ⁺⁰⁰⁰ / ₋₀₁₅ | 17.15 |
| SPR-3497 | 3.497 | 3/16 | .188 ⁺⁰⁰³ / ₊₀₀₀ | 3.497 | .1865 ⁺⁰⁰⁰ / ₋₀₀₁ | .124 ⁺⁰⁰⁰ / ₋₀₁₅ | 10.94 |
| SPR-3500 | 3-1/2 | 1/8 | .1255 ⁺⁰⁰³ / ₊₀₀₀ | 3.500 | .124 ⁺⁰⁰⁰ / ₋₀₀₁ | .124 ⁺⁰⁰⁰ / ₋₀₁₅ | 10.94 |
| SPR-3505 | 3-1/2 | 3/16 | .188 ⁺⁰⁰³ / ₊₀₀₀ | 3.500 | .1865 ⁺⁰⁰⁰ / ₋₀₀₁ | .124 ⁺⁰⁰⁰ / ₋₀₁₅ | 10.94 |
| SPR-3506 | 3-1/2 | 3/16 | .191 ⁺⁰⁰⁰ / ₋₀₀₃ | 3.500 | .187 ⁺⁰⁰⁰ / ₋₀₀₁ | .160 ⁺⁰⁰⁰ / ₋₀₁₅ | 22.56 |
| SPR-3502 | 3-1/2 | 1/4 | .2505 ⁺⁰⁰³ / ₊₀₀₀ | 3.500 | .249 ⁺⁰⁰⁰ / ₋₀₀₁ | .124 ⁺⁰⁰⁰ / ₋₀₁₅ | 10.94 |
| SPR-3503 | 3-1/2 | 3/8 | .3755 ⁺⁰⁰³ / ₊₀₀₀ | 3.500 | .373 ⁺⁰⁰⁰ / ₋₀₀₁ | .124 ⁺⁰⁰⁰ / ₋₀₁₅ | 17.34 |
| SPR-3520-BC | 3.52 | 3/16 | .188 ⁺⁰⁰³ / ₊₀₀₀ | 3.520 | .186 ⁺⁰⁰⁰ / ₋₀₀₂ | .145 ⁺⁰⁰⁰ / ₋₀₁₅ | 11.91 |
| SPR-3625 | 3-5/8 | 1/4 | .2505 ⁺⁰⁰³ / ₊₀₀₀ | 3.625 | .249 ⁺⁰⁰⁰ / ₋₀₀₁ | .160 ⁺⁰⁰⁰ / ₋₀₁₅ | 14.69 |
| SPR-3626 | 3-5/8 | 1/4 | .2505 ⁺⁰⁰³ / ₊₀₀₀ | 3.625 | .249 ⁺⁰⁰⁰ / ₋₀₀₁ | .185 ⁺⁰⁰⁰ / ₋₀₁₅ | 21.78 |
| SPR-3750 | 3-3/4 | 3/16 | .188 ⁺⁰⁰³ / ₊₀₀₀ | 3.750 | .1865 ⁺⁰⁰⁰ / ₋₀₀₁ | .130 ⁺⁰⁰⁰ / ₋₀₁₅ | 11.27 |
| SPR-3752 | 3-3/4 | 3/16 | .188 ⁺⁰⁰³ / ₊₀₀₀ | 3.750 | .1865 ⁺⁰⁰⁰ / ₋₀₀₂ | .190 ⁺⁰⁰⁰ / ₋₀₁₅ | 72.60 |
| SPR-3751 | 3-3/4 | 1/4 | .2505 ⁺⁰⁰³ / ₊₀₀₀ | 3.750 | .249 ⁺⁰⁰⁰ / ₋₀₀₁ | .130 ⁺⁰⁰⁰ / ₋₀₁₅ | 11.27 |
| SPR-3875 | 3-7/8 | 1/4 | .2505 ⁺⁰⁰³ / ₊₀₀₀ | 3.875 | .249 ⁺⁰⁰⁰ / ₋₀₀₁ | .138 ⁺⁰⁰⁰ / ₋₀₁₅ | 11.37 |
| SPR-3990 | 3.99 | 1/4 | .2505 ⁺⁰⁰³ / ₊₀₀₀ | 3.990 | .249 ⁺⁰⁰⁰ / ₋₀₀₁ | .142 ⁺⁰⁰⁰ / ₋₀₁₅ | 19.06 |
| SPR-4002 | 4 | 3/16 | .188 ⁺⁰⁰³ / ₊₀₀₀ | 4.000 | .1865 ⁺⁰⁰⁰ / ₋₀₀₁ | .142 ⁺⁰⁰⁰ / ₋₀₁₅ | 10.95 |
| SPR-4007 | 4 | 3/16 | .188 ⁺⁰⁰³ / ₊₀₀₀ | 4.000 | .1865 ⁺⁰⁰⁰ / ₋₀₀₁ | .199 ⁺⁰⁰⁰ / ₋₀₁₅ | 72.60 |
| SPR-4000 | 4 | 1/4 | .2505 ⁺⁰⁰³ / ₊₀₀₀ | 4.000 | .249 ⁺⁰⁰⁰ / ₋₀₀₁ | .142 ⁺⁰⁰⁰ / ₋₀₁₅ | 11.37 |
| SPR-4003 | 4 | 5/16 | .313 ⁺⁰⁰³ / ₊₀₀₀ | 4.000 | .311 ⁺⁰⁰⁰ / ₋₀₀₁ | .142 ⁺⁰⁰⁰ / ₋₀₁₅ | 11.37 |
| SPR-4020 | 4.02 | 5/16 | .313 ⁺⁰⁰³ / ₊₀₀₀ | 4.020 | .311 ⁺⁰⁰⁰ / ₋₀₀₁ | .142 ⁺⁰⁰⁰ / ₋₀₁₅ | 14.34 |
| SPR-4030 | 4.03 | 1/4 | .2505 ⁺⁰⁰³ / ₊₀₀₀ | 4.030 | .249 ⁺⁰⁰⁰ / ₋₀₀₁ | .142 ⁺⁰⁰⁰ / ₋₀₁₅ | 11.37 |
| SPR-4250 | 4-1/4 | 1/4 | .2505 ⁺⁰⁰³ / ₊₀₀₀ | 4.250 | .249 ⁺⁰⁰⁰ / ₋₀₀₁ | .150 ⁺⁰⁰⁰ / ₋₀₁₅ | 12.02 |
| SPR-4251 | 4-1/4 | 1/4 | .2505 ⁺⁰⁰³ / ₊₀₀₀ | 4.250 | .249 ⁺⁰⁰⁰ / ₋₀₀₁ | .181 ⁺⁰⁰⁰ / ₋₀₁₅ | 74.92 |
| SPR-4252-BC | 4-1/4 | 1/4 | .2505 ⁺⁰⁰³ / ₊₀₀₀ | 4.250 | .249 ⁺⁰⁰⁰ / ₋₀₀₁ | .177 ⁺⁰⁰⁰ / ₋₀₁₀ | 18.88 |
| SPR-4260 | 4.26 | 1/4 | .2505 ⁺⁰⁰³ / ₊₀₀₀ | 4.260 | .249 ⁺⁰⁰⁰ / ₋₀₀₁ | .167 ⁺⁰⁰⁰ / ₋₀₁₅ | 12.02 |
| SPR-4496 | 4.496 | 1/4 | .2505 ⁺⁰⁰³ / ₊₀₀₀ | 4.496 | .249 ⁺⁰⁰⁰ / ₋₀₀₁ | .150 ⁺⁰⁰⁰ / ₋₀₁₅ | 12.30 |

FORMERLY LISTED SEALS ARE AVAILABLE ONLINE AT WWW.HERCULESUS.COM
OR BY CONTACTING YOUR REGIONAL HERCULES SALES TEAM.



STYLE SPR IRON PISTON RINGS

IRON PISTON RINGS

| Part Number | B Nom. OD | C Nom. Ht | D GROOVE WIDTH | J BORE DIAMETER | C HEIGHT | CS ₁ RING CROSS SECTION | List Price |
|-------------|--------------|--------------|---|--------------------|--|---|---------------|
| SPR-4501 | 4-1/2 | 3/16 | .188 ⁺⁰⁰³ / ₊₀₀₀ | 4.500 | .1865 ⁺⁰⁰⁰ / _{-.001} | .160 ⁺⁰⁰⁰ / _{-.015} | 12.02 |
| SPR-4502 | 4-1/2 | 1/4 | .2505 ⁺⁰⁰³ / ₊₀₀₀ | 4.500 | .249 ⁺⁰⁰⁰ / _{-.001} | .160 ⁺⁰⁰⁰ / _{-.015} | 12.41 |
| SPR-4504 | 4-1/2 | 1/4 | .2505 ⁺⁰⁰³ / ₊₀₀₀ | 4.500 | .249 ⁺⁰⁰⁰ / _{-.001} | .199 ⁺⁰⁰⁰ / _{-.015} | 74.92 |
| SPR-4506-BC | 4-1/2 | 1/4 | .2505 ⁺⁰⁰³ / ₊₀₀₀ | 4.500 | .249 ⁺⁰⁰⁰ / _{-.001} | .130 ⁺⁰⁰⁰ / _{-.015} | 37.19 |
| SPR-4500 | 4-1/2 | 5/16 | .313 ⁺⁰⁰³ / ₊₀₀₀ | 4.500 | .311 ⁺⁰⁰⁰ / _{-.001} | .160 ⁺⁰⁰⁰ / _{-.015} | 12.27 |
| SPR-4503 | 4-1/2 | 3/8 | .3755 ⁺⁰⁰³ / ₊₀₀₀ | 4.500 | .373 ⁺⁰⁰⁰ / _{-.001} | .160 ⁺⁰⁰⁰ / _{-.015} | 20.50 |
| SPR-4520-BC | 4.52 | 3/16 | .188 ⁺⁰⁰³ / ₊₀₀₀ | 4.520 | .186 ⁺⁰⁰⁰ / _{-.002} | .160 ⁺⁰⁰⁰ / _{-.015} | 12.14 |
| SPR-4540 | 4.54 | 3/16 | .188 ⁺⁰⁰³ / ₊₀₀₀ | 4.540 | .1865 ⁺⁰⁰⁰ / _{-.001} | .167 ⁺⁰⁰⁰ / _{-.015} | 12.27 |
| SPR-4751 | 4-3/4 | 1/4 | .2505 ⁺⁰⁰³ / ₊₀₀₀ | 4.750 | .249 ⁺⁰⁰⁰ / _{-.001} | .167 ⁺⁰⁰⁰ / _{-.015} | 12.30 |
| SPR-4752 | 4-3/4 | 1/4 | .2505 ⁺⁰⁰³ / ₊₀₀₀ | 4.750 | .249 ⁺⁰⁰⁰ / _{-.001} | .190 ⁺⁰⁰⁰ / _{-.015} | 25.06 |
| SPR-4876-BC | 4-7/8 | 3/8 | .3755 ⁺⁰⁰³ / ₊₀₀₀ | 4.875 | .373 ⁺⁰⁰⁰ / _{-.001} | .124 ⁺⁰⁰⁰ / _{-.015} | 36.04 |
| SPR-5005 | 5 | 1/8 | .1255 ⁺⁰⁰³ / ₊₀₀₀ | 5.000 | .124 ⁺⁰⁰⁰ / _{-.001} | .175 ⁺⁰⁰⁰ / _{-.015} | 16.52 |
| SPR-5001 | 5 | 3/16 | .188 ⁺⁰⁰³ / ₊₀₀₀ | 5.000 | .1865 ⁺⁰⁰⁰ / _{-.001} | .175 ⁺⁰⁰⁰ / _{-.015} | 12.66 |
| SPR-5000 | 5 | 1/4 | .2505 ⁺⁰⁰³ / ₊₀₀₀ | 5.000 | .249 ⁺⁰⁰⁰ / _{-.001} | .150 ⁺⁰⁰⁰ / _{-.010} | 12.66 |
| SPR-5002 | 5 | 1/4 | .2505 ⁺⁰⁰³ / ₊₀₀₀ | 5.000 | .249 ⁺⁰⁰⁰ / _{-.001} | .175 ⁺⁰⁰⁰ / _{-.015} | 12.66 |
| SPR-5008 | 5 | 1/4 | .2505 ⁺⁰⁰³ / ₊₀₀₀ | 5.000 | .248 ⁺⁰⁰¹ / ₊₀₀₀ | .198 ⁺⁰⁰⁸ / _{-.007} | 13.12 |
| SPR-5004 | 5 | 5/16 | .313 ⁺⁰⁰³ / ₊₀₀₀ | 5.000 | .311 ⁺⁰⁰⁰ / _{-.001} | .175 ⁺⁰⁰⁰ / _{-.015} | 19.52 |
| SPR-5003 | 5 | 3/8 | .3755 ⁺⁰⁰³ / ₊₀₀₀ | 5.000 | .373 ⁺⁰⁰⁰ / _{-.001} | .175 ⁺⁰⁰⁰ / _{-.015} | 16.78 |
| SPR-5030 | 5.03 | 1/4 | .2505 ⁺⁰⁰³ / ₊₀₀₀ | 5.030 | .249 ⁺⁰⁰⁰ / _{-.001} | .185 ⁺⁰⁰⁰ / _{-.020} | 14.58 |
| SPR-5120 | 5-1/8 | 1/4 | .2505 ⁺⁰⁰³ / ₊₀₀₀ | 5.125 | .249 ⁺⁰⁰⁰ / _{-.001} | .172 ⁺⁰⁰⁰ / _{-.006} | 18.30 |
| SPR-5121 | 5-1/8 | 1/4 | .2505 ⁺⁰⁰³ / ₊₀₀₀ | 5.125 | .249 ⁺⁰⁰⁰ / _{-.001} | .160 ⁺⁰⁰⁰ / _{-.015} | 26.22 |
| SPR-5251 | 5-1/4 | 1/4 | .2505 ⁺⁰⁰³ / ₊₀₀₀ | 5.250 | .249 ⁺⁰⁰⁰ / _{-.001} | .181 ⁺⁰⁰⁰ / _{-.015} | 19.69 |
| SPR-5252 | 5-1/4 | 9/32 | .280 ⁺⁰⁰³ / ₊₀₀₀ | 5.250 | .279 ⁺⁰⁰⁰ / _{-.001} | .170 ⁺⁰⁰⁰ / _{-.010} | 29.23 |
| SPR-5260 | 5.26 | 1/4 | .2505 ⁺⁰⁰³ / ₊₀₀₀ | 5.260 | .249 ⁺⁰⁰⁰ / _{-.001} | .195 ⁺⁰⁰⁰ / _{-.015} | 15.82 |
| SPR-5496 | 5.496 | 1/4 | .2505 ⁺⁰⁰³ / ₊₀₀₀ | 5.496 | .249 ⁺⁰⁰⁰ / _{-.001} | .160 ⁺⁰⁰⁰ / _{-.020} | 16.88 |
| SPR-5501 | 5-1/2 | 3/16 | .188 ⁺⁰⁰³ / ₊₀₀₀ | 5.500 | .1865 ⁺⁰⁰⁰ / _{-.001} | .190 ⁺⁰⁰⁰ / _{-.015} | 17.10 |
| SPR-5502 | 5-1/2 | 1/4 | .2505 ⁺⁰⁰³ / ₊₀₀₀ | 5.500 | .249 ⁺⁰⁰⁰ / _{-.001} | .190 ⁺⁰⁰⁰ / _{-.015} | 17.10 |
| SPR-5500 | 5-1/2 | 5/16 | .313 ⁺⁰⁰³ / ₊₀₀₀ | 5.500 | .311 ⁺⁰⁰⁰ / _{-.001} | .190 ⁺⁰⁰⁰ / _{-.015} | 17.10 |
| SPR-5503 | 5-1/2 | 3/8 | .3755 ⁺⁰⁰³ / ₊₀₀₀ | 5.500 | .373 ⁺⁰⁰⁰ / _{-.001} | .190 ⁺⁰⁰⁰ / _{-.015} | 22.67 |
| SPR-5520-BC | 5.52 | 3/16 | .188 ⁺⁰⁰³ / ₊₀₀₀ | 5.520 | .186 ⁺⁰⁰⁰ / _{-.002} | .200 ⁺⁰⁰⁰ / _{-.015} | 17.11 |
| SPR-5540 | 5.54 | 3/16 | .188 ⁺⁰⁰³ / ₊₀₀₀ | 5.540 | .1865 ⁺⁰⁰⁰ / _{-.001} | .210 ⁺⁰⁰⁰ / _{-.030} | 20.43 |
| SPR-5750 | 5-3/4 | 3/16 | .188 ⁺⁰⁰³ / ₊₀₀₀ | 5.750 | .1865 ⁺⁰⁰⁰ / _{-.001} | .199 ⁺⁰⁰⁰ / _{-.015} | 21.72 |
| SPR-5751 | 5-3/4 | 1/4 | .2505 ⁺⁰⁰³ / ₊₀₀₀ | 5.750 | .249 ⁺⁰⁰⁰ / _{-.001} | .199 ⁺⁰⁰⁰ / _{-.015} | 23.02 |

NORTH AMERICA
PHONE 1-800-777-5617
FAX 1-800-759-6391

SALES OFFICE HOURS
8 A.M. TO 7:30 P.M. EASTERN TIME
www.HerculesUS.com

WORLDWIDE
PHONE 1-727-796-1300
FAX 1-727-797-8849

STYLE SPR IRON PISTON RINGS

| Part Number | B Nom. OD | C Nom. Ht | D GROOVE WIDTH | J BORE DIAMETER | C HEIGHT | CS ₁ RING CROSS SECTION | List Price |
|-------------|--------------|--------------|---|--------------------|---|--|---------------|
| SPR-5752 | 5-3/4 | 5/16 | .313 ^{+0.003} / _{+0.000} | 5.750 | .311 ^{+0.000} / _{-0.001} | .199 ^{+0.000} / _{-0.015} | 24.85 |
| SPR-6001 | 6 | 1/8 | .1255 ^{+0.003} / _{+0.000} | 6.000 | .124 ^{+0.000} / _{-0.002} | .206 ^{+0.000} / _{-0.015} | 23.24 |
| SPR-6006 | 6 | 3/16 | .188 ^{+0.003} / _{+0.000} | 6.000 | .1865 ^{+0.000} / _{-0.002} | .206 ^{+0.000} / _{-0.015} | 21.70 |
| SPR-6000 | 6 | 1/4 | .2505 ^{+0.003} / _{+0.000} | 6.000 | .249 ^{+0.000} / _{-0.002} | .160 ^{+0.000} / _{-0.020} | 17.29 |
| SPR-6002 | 6 | 1/4 | .2505 ^{+0.003} / _{+0.000} | 6.000 | .249 ^{+0.000} / _{-0.002} | .206 ^{+0.000} / _{-0.015} | 17.28 |
| SPR-6004 | 6 | 5/16 | .313 ^{+0.003} / _{+0.000} | 6.000 | .311 ^{+0.000} / _{-0.002} | .206 ^{+0.000} / _{-0.015} | 17.28 |
| SPR-6005 | 6 | 3/8 | .3755 ^{+0.003} / _{+0.000} | 6.000 | .373 ^{+0.000} / _{-0.002} | .206 ^{+0.000} / _{-0.015} | 20.33 |
| SPR-6030 | 6.03 | 1/4 | .2505 ^{+0.003} / _{+0.000} | 6.030 | .249 ^{+0.000} / _{-0.002} | .206 ^{+0.000} / _{-0.015} | 21.70 |
| SPR-6040 | 6.04 | 3/16 | .188 ^{+0.003} / _{+0.000} | 6.040 | .1865 ^{+0.000} / _{-0.002} | .205 ^{+0.000} / _{-0.015} | 24.96 |
| SPR-6120 | 6-1/8 | 1/4 | .2505 ^{+0.003} / _{+0.000} | 6.125 | .249 ^{+0.000} / _{-0.002} | .206 ^{+0.000} / _{-0.015} | 26.65 |
| SPR-6250 | 6-1/4 | 3/16 | .188 ^{+0.003} / _{+0.000} | 6.250 | .1865 ^{+0.000} / _{-0.002} | .217 ^{+0.000} / _{-0.015} | 27.09 |
| SPR-6252 | 6-1/4 | 1/4 | .2505 ^{+0.003} / _{+0.000} | 6.250 | .249 ^{+0.000} / _{-0.002} | .217 ^{+0.000} / _{-0.015} | 30.49 |
| SPR-6251 | 6-1/4 | 5/16 | .313 ^{+0.003} / _{+0.000} | 6.250 | .311 ^{+0.000} / _{-0.002} | .217 ^{+0.000} / _{-0.015} | 27.09 |
| SPR-6260 | 6.26 | 1/4 | .2505 ^{+0.003} / _{+0.000} | 6.260 | .249 ^{+0.000} / _{-0.001} | .206 ^{+0.000} / _{-0.015} | 18.67 |
| SPR-6496 | 6.496 | 1/4 | .2505 ^{+0.003} / _{+0.000} | 6.496 | .249 ^{+0.000} / _{-0.002} | .160 ^{+0.000} / _{-0.020} | 20.26 |
| SPR-6501 | 6-1/2 | 3/16 | .188 ^{+0.003} / _{+0.000} | 6.500 | .1865 ^{+0.000} / _{-0.002} | .226 ^{+0.000} / _{-0.015} | 32.33 |
| SPR-6503 | 6-1/2 | 3/16 | .188 ^{+0.003} / _{+0.000} | 6.500 | .187 ^{+0.000} / _{-0.001} | .226 ^{+0.000} / _{-0.015} | 39.93 |
| SPR-6502 | 6-1/2 | 1/4 | .2505 ^{+0.003} / _{+0.000} | 6.500 | .249 ^{+0.000} / _{-0.002} | .226 ^{+0.000} / _{-0.015} | 19.78 |
| SPR-6500 | 6-1/2 | 5/16 | .313 ^{+0.003} / _{+0.000} | 6.500 | .311 ^{+0.000} / _{-0.002} | .226 ^{+0.000} / _{-0.015} | 19.78 |
| SPR-6505 | 6-1/2 | 1/2 | .5005 ^{+0.003} / _{+0.000} | 6.500 | .498 ^{+0.000} / _{-0.002} | .225 ^{+0.000} / _{-0.015} | 62.12 |
| SPR-6520-BC | 6.52 | 3/16 | .188 ^{+0.003} / _{+0.000} | 6.520 | .186 ^{+0.000} / _{-0.002} | .235 ^{+0.000} / _{-0.015} | 39.63 |
| SPR-6750 | 6-3/4 | 1/4 | .2505 ^{+0.003} / _{+0.000} | 6.750 | .249 ^{+0.000} / _{-0.002} | .190 ^{+0.000} / _{-0.015} | 25.35 |
| SPR-6752 | 6-3/4 | 1/4 | .2505 ^{+0.003} / _{+0.000} | 6.750 | .249 ^{+0.000} / _{-0.002} | .234 ^{+0.000} / _{-0.015} | 30.97 |
| SPR-6751 | 6-3/4 | 5/16 | .313 ^{+0.003} / _{+0.000} | 6.750 | .311 ^{+0.000} / _{-0.002} | .234 ^{+0.000} / _{-0.015} | 29.66 |
| SPR-7004 | 7 | .24 | .241 ^{+0.003} / _{+0.000} | 7.000 | .240 ^{+0.000} / _{-0.001} | .252 ^{+0.000} / _{-0.015} | 26.44 |
| SPR-7000 | 7 | 1/4 | .2505 ^{+0.003} / _{+0.000} | 7.000 | .249 ^{+0.000} / _{-0.002} | .160 ^{+0.000} / _{-0.020} | 22.78 |
| SPR-7002 | 7 | 1/4 | .2505 ^{+0.003} / _{+0.000} | 7.000 | .249 ^{+0.000} / _{-0.002} | .243 ^{+0.000} / _{-0.015} | 22.78 |
| SPR-7005 | 7 | 5/16 | .313 ^{+0.003} / _{+0.000} | 7.000 | .311 ^{+0.000} / _{-0.002} | .243 ^{+0.000} / _{-0.015} | 31.16 |
| SPR-7003 | 7 | 3/8 | .3755 ^{+0.003} / _{+0.000} | 7.000 | .373 ^{+0.000} / _{-0.002} | .243 ^{+0.000} / _{-0.015} | 31.16 |
| SPR-7006 | 7 | 1/2 | .5005 ^{+0.003} / _{+0.000} | 7.000 | .498 ^{+0.000} / _{-0.002} | .243 ^{+0.000} / _{-0.015} | 49.16 |
| SPR-7030 | 7.03 | 5/16 | .313 ^{+0.003} / _{+0.000} | 7.030 | .311 ^{+0.000} / _{-0.002} | .263 ^{+0.000} / _{-0.030} | 31.16 |
| SPR-7125 | 7-1/8 | 1/4 | .2505 ^{+0.003} / _{+0.000} | 7.125 | .249 ^{+0.000} / _{-0.002} | .252 ^{+0.000} / _{-0.015} | 38.66 |
| SPR-7250 | 7-1/4 | 1/4 | .2505 ^{+0.003} / _{+0.000} | 7.250 | .249 ^{+0.000} / _{-0.002} | .175 ^{+0.000} / _{-0.015} | 34.65 |

IRON PISTON RINGS



STYLE SPR IRON PISTON RINGS

IRON PISTON RINGS

| Part Number | B Nom. OD | C Nom. Ht | D GROOVE WIDTH | J BORE DIAMETER | C HEIGHT | CS ₁ RING CROSS SECTION | List Price |
|-------------|--------------|--------------|---|--------------------|---|---|---------------|
| SPR-7255 | 7-1/4 | 5/16 | .313 ^{+0.003} / _{+0.000} | 7.250 | .311 ^{+0.000} / _{-.002} | .252 ^{+0.000} / _{-.015} | 34.65 |
| SPR-7260 | 7.26 | 1/4 | .2505 ^{+0.003} / _{+0.000} | 7.260 | .249 ^{+0.000} / _{-.002} | .268 ^{+0.000} / _{-.015} | 27.66 |
| SPR-7375 | 7-3/8 | 3/8 | .3755 ^{+0.003} / _{+0.000} | 7.375 | .373 ^{+0.000} / _{-.002} | .206 ^{+0.000} / _{-.015} | 45.41 |
| SPR-7496 | 7.496 | 1/4 | .2505 ^{+0.003} / _{+0.000} | 7.496 | .249 ^{+0.000} / _{-.002} | .160 ^{+0.000} / _{-.015} | 30.71 |
| SPR-7501 | 7-1/2 | 1/4 | .2505 ^{+0.003} / _{+0.000} | 7.500 | .249 ^{+0.000} / _{-.002} | .260 ^{+0.000} / _{-.015} | 29.27 |
| SPR-7500 | 7-1/2 | 5/16 | .313 ^{+0.003} / _{+0.000} | 7.500 | .311 ^{+0.000} / _{-.002} | .226 ^{+0.000} / _{-.015} | 42.24 |
| SPR-7505 | 7-1/2 | 5/16 | .313 ^{+0.003} / _{+0.000} | 7.500 | .311 ^{+0.000} / _{-.002} | .259 ^{+0.000} / _{-.015} | 34.24 |
| SPR-7520-BC | 7.52 | 3/16 | .188 ^{+0.003} / _{+0.000} | 7.520 | .186 ^{+0.000} / _{-.002} | .275 ^{+0.000} / _{-.015} | 50.48 |
| SPR-7750 | 7-3/4 | 5/16 | .313 ^{+0.003} / _{+0.000} | 7.750 | .311 ^{+0.000} / _{-.002} | .267 ^{+0.000} / _{-.015} | 42.24 |
| SPR-8000 | 8 | 5/16 | .313 ^{+0.003} / _{+0.000} | 8.000 | .311 ^{+0.000} / _{-.002} | .226 ^{+0.000} / _{-.015} | 32.58 |
| SPR-8005 | 8 | 5/16 | .313 ^{+0.003} / _{+0.000} | 8.000 | .311 ^{+0.000} / _{-.002} | .275 ^{+0.000} / _{-.015} | 34.65 |
| SPR-8006 | 8 | 3/8 | .3755 ^{+0.003} / _{+0.000} | 8.000 | .373 ^{+0.000} / _{-.002} | .275 ^{+0.000} / _{-.015} | 34.65 |
| SPR-8001 | 8 | .435 | .4375 ^{+0.003} / _{+0.000} | 8.000 | .435 ^{+0.000} / _{-.001} | .270 ^{+0.000} / _{-.015} | 57.58 |
| SPR-8030 | 8.03 | 5/16 | .313 ^{+0.003} / _{+0.000} | 8.030 | .311 ^{+0.000} / _{-.002} | .295 ^{+0.000} / _{-.030} | 36.67 |
| SPR-8125 | 8-1/8 | .435 | .4375 ^{+0.003} / _{+0.000} | 8.125 | .435 ^{+0.000} / _{-.001} | .270 ^{+0.000} / _{-.015} | 62.22 |
| SPR-8250 | 8-1/4 | 3/8 | .3755 ^{+0.003} / _{+0.000} | 8.250 | .373 ^{+0.000} / _{-.002} | .283 ^{+0.000} / _{-.015} | 47.79 |
| SPR-8370 | 8-3/8 | 1/4 | .2505 ^{+0.003} / _{+0.000} | 8.375 | .249 ^{+0.000} / _{-.002} | .283 ^{+0.000} / _{-.015} | 50.50 |
| SPR-8420 | 8.42 | 1/4 | .2505 ^{+0.003} / _{+0.000} | 8.420 | .249 ^{+0.000} / _{-.001} | .306 ^{+0.000} / _{-.015} | 38.41 |
| SPR-8496 | 8.496 | 1/4 | .2505 ^{+0.003} / _{+0.000} | 8.496 | .249 ^{+0.000} / _{-.002} | .160 ^{+0.000} / _{-.020} | 42.99 |
| SPR-8500 | 8-1/2 | 5/16 | .313 ^{+0.003} / _{+0.000} | 8.500 | .311 ^{+0.000} / _{-.002} | .225 ^{+0.000} / _{-.015} | 47.10 |
| SPR-8503 | 8-1/2 | 5/16 | .313 ^{+0.003} / _{+0.000} | 8.500 | .311 ^{+0.000} / _{-.002} | .309 ^{+0.000} / _{-.015} | 47.10 |
| SPR-8502 | 8-1/2 | 3/8 | .3755 ^{+0.003} / _{+0.000} | 8.500 | .373 ^{+0.000} / _{-.002} | .290 ^{+0.000} / _{-.015} | 56.82 |
| SPR-8520-BC | 8.52 | 3/16 | .188 ^{+0.003} / _{+0.000} | 8.520 | .186 ^{+0.000} / _{-.002} | .310 ^{+0.000} / _{-.015} | 55.32 |
| SPR-8751 | 8-3/4 | 3/8 | .3785 ^{+0.003} / _{+0.000} | 8.750 | .376 ^{+0.000} / _{-.002} | .305 ^{+0.000} / _{-.005} | 55.30 |
| SPR-9001 | 9 | 5/16 | .313 ^{+0.003} / _{+0.000} | 9.000 | .311 ^{+0.000} / _{-.002} | .309 ^{+0.000} / _{-.015} | 59.89 |
| SPR-9000 | 9 | 3/8 | .3755 ^{+0.003} / _{+0.000} | 9.000 | .373 ^{+0.000} / _{-.002} | .309 ^{+0.000} / _{-.015} | 56.06 |
| SPR-9004 | 9 | .435 | .4375 ^{+0.003} / _{+0.000} | 9.000 | .435 ^{+0.000} / _{-.002} | .259 ^{+0.000} / _{-.015} | 81.18 |
| SPR-9005 | 9 | 1/2 | .5005 ^{+0.003} / _{+0.000} | 9.000 | .498 ^{+0.000} / _{-.002} | .195 ^{+0.000} / _{-.020} | 98.78 |
| SPR-9025 | 9.025 | 1/4 | .2505 ^{+0.003} / _{+0.000} | 9.025 | .248 ^{+0.000} / _{-.001} | .328 ^{+0.000} / _{-.015} | 89.29 |
| SPR-9170 | 9.17 | 5/16 | .313 ^{+0.003} / _{+0.000} | 9.170 | .311 ^{+0.000} / _{-.002} | .308 ^{+0.000} / _{-.010} | 64.84 |
| SPR-9250 | 9-1/4 | 1/4 | .2505 ^{+0.003} / _{+0.000} | 9.250 | .249 ^{+0.000} / _{-.002} | .175 ^{+0.000} / _{-.015} | 125.78 |
| SPR-9251 | 9-1/4 | 5/16 | .313 ^{+0.003} / _{+0.000} | 9.250 | .311 ^{+0.000} / _{-.002} | .315 ^{+0.000} / _{-.015} | 97.96 |
| SPR-9501 | 9-1/2 | 1/4 | .2505 ^{+0.003} / _{+0.000} | 9.500 | .249 ^{+0.000} / _{-.002} | .320 ^{+0.000} / _{-.015} | 139.10 |

NORTH AMERICA
PHONE 1-800-777-5617
FAX 1-800-759-6391

SALES OFFICE HOURS
8 A.M. TO 7:30 P.M. EASTERN TIME
www.HerculesUS.com

WORLDWIDE
PHONE 1-727-796-1300
FAX 1-727-797-8849



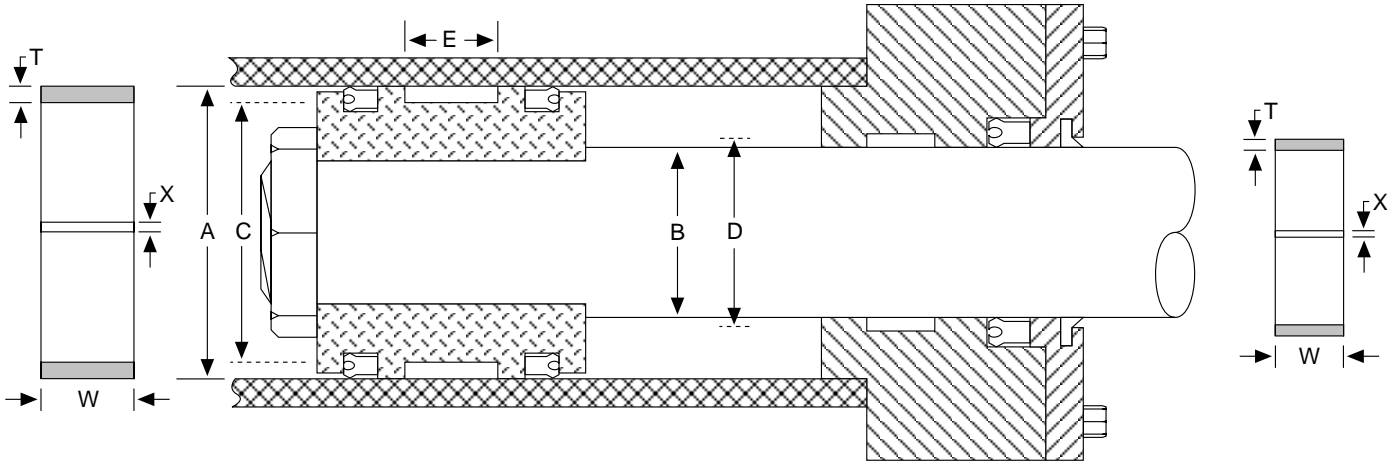
STYLE SPR IRON PISTON RINGS

| Part Number | B Nom. OD | C Nom. Ht | D GROOVE WIDTH | J BORE DIAMETER | C HEIGHT | CS ₁ RING CROSS SECTION | List Price |
|-------------|--------------|--------------|---|--------------------|--|--|---------------|
| SPR-9500 | 9-1/2 | 5/16 | .313 ^{+0.03} / _{+0.00} | 9.500 | .311 ^{+0.00} / _{-.002} | .320 ^{+0.00} / _{-.015} | 145.71 |
| SPR-9502 | 9-1/2 | 3/8 | .3755 ^{+0.03} / _{+0.00} | 9.500 | .373 ^{+0.00} / _{-.002} | .320 ^{+0.00} / _{-.015} | 107.94 |
| SPR-9746 | 9.746 | 1/4 | .2505 ^{+0.03} / _{+0.00} | 9.746 | .249 ^{+0.00} / _{-.002} | .160 ^{+0.00} / _{-.020} | 68.32 |
| SPR-9885 | 9.885 | 1/4 | .2505 ^{+0.03} / _{+0.00} | 9.885 | .249 ^{+0.00} / _{-.002} | .340 ^{+0.00} / _{-.015} | 80.99 |
| SPR-10000 | 10 | 5/16 | .313 ^{+0.03} / _{+0.00} | 10.000 | .311 ^{+0.00} / _{-.002} | .332 ^{+0.00} / _{-.015} | 71.07 |
| SPR-10001 | 10 | 3/8 | .3755 ^{+0.03} / _{+0.00} | 10.000 | .373 ^{+0.00} / _{-.002} | .332 ^{+0.00} / _{-.015} | 80.61 |
| SPR-10030 | 10.03 | 5/16 | .313 ^{+0.03} / _{+0.00} | 10.030 | .311 ^{+0.00} / _{-.001} | .345 ^{+0.00} / _{-.010} | 87.56 |
| SPR-10503 | 10-1/2 | 1/4 | .2505 ^{+0.03} / _{+0.00} | 10.500 | .249 ^{+0.00} / _{-.001} | .380 ^{+0.00} / _{-.015} | 158.20 |
| SPR-10501 | 10-1/2 | 3/8 | .3755 ^{+0.03} / _{+0.00} | 10.500 | .373 ^{+0.00} / _{-.002} | .332 ^{+0.00} / _{-.015} | 104.01 |
| SPR-10502 | 10-1/2 | 5/8 | .6255 ^{+0.03} / _{+0.00} | 10.500 | .623 ^{+0.00} / _{-.002} | .253 ^{+0.00} / _{-.015} | 176.88 |
| SPR-11000 | 11 | .474 | .4765 ^{+0.03} / _{+0.00} | 11.000 | .474 ^{+0.00} / _{-.002} | .317 ^{+0.00} / _{-.015} | 130.22 |
| SPR-11001 | 11 | 1/2 | .5005 ^{+0.03} / _{+0.00} | 11.000 | .498 ^{+0.00} / _{-.002} | .190 ^{+0.00} / _{-.015} | 159.39 |
| SPR-12001 | 12 | 7/16 | .4385 ^{+0.03} / _{+0.00} | 12.000 | .436 ^{+0.00} / _{-.002} | .379 ^{+0.00} / _{-.015} | 182.27 |
| SPR-12030 | 12.03 | 3/8 | .3755 ^{+0.03} / _{+0.00} | 12.030 | .373 ^{+0.00} / _{-.002} | .401 ^{+0.00} / _{-.015} | 149.46 |

IRON PISTON RINGS

NYLON WEAR RING TECHNICAL INFORMATION

WEAR RINGS



- A - CYLINDER BORE
- B - ROD DIAMETER
- C - MINIMUM BORE "A" MINUS .253/.256
- D - MAXIMUM ROD DIAMETER "B" PLUS .253/.256
- E - GROOVE WIDTH
- T - THICKNESS OF WEAR RING
- W - WIDTH OF WEAR RING
- X - MINIMUM RING GAP

Groove Dimensions For Standard Wear Ring Widths

| 1/2" Width | | | 5/8" Width | | | 3/4" Width | | | 1" Width | | |
|------------|-------|-------|------------|-------|-------|------------|-------|-------|----------|-------|-------|
| E | T | X | E | T | X | E | T | X | E | T | X |
| .515" | .125" | 1/16" | .640" | .125" | 1/16" | .765" | .125" | 1/16" | 1.015" | .125" | 1/16" |
| .510" | .122" | | .635" | .122" | | .760" | .122" | | 1.010" | .122" | |

Cut Down Factors For Standard Wear Rings

In many cases an oversized nylon wear ring can be cut down to fit a smaller groove without a loss of concentricity. Use the following guide when cutting down wear rings.

| Wear Ring OD | Maximum amount to be Cut Down |
|--------------------|-------------------------------|
| 4" OD | 3/8" of circumference |
| 4-1/2" - 6-1/2" OD | 1/2" |
| 7" -9" OD | 1" |
| 9-1/2" - 14" OD | 1-1/2" |

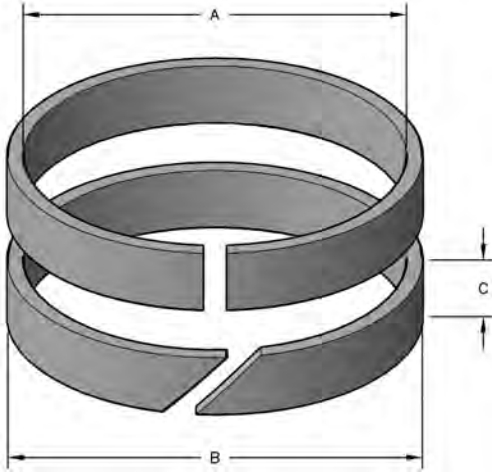
Flexible Guide Bearing Cut To Fit Formula

Use the following formula when cutting flexible guide bearing to fit a specific application.

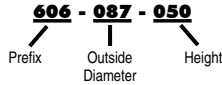
| For Piston Bearings | For Rod Bearings |
|---|--|
| Bearing Length = (Bore - C.S.) x 3.14 - Gap | Bearing Length = (Rod + C.S.) x 3.14 - Gap |

STYLE 600 NYLON WEAR RINGS

NOTE: "SC" suffix designates a Scarf Cut wear ring.



HERCULES PART NUMBERS



| SEAL INFORMATION | |
|----------------------|-----------------|
| TEMPERATURE RANGE | -40° TO +275° F |
| TENSILE STRENGTH | 27,000 PSI |
| COMPRESSIVE STRENGTH | 26,000 PSI |

WEAR RINGS

| Part Number | A Nom. ID | B Nom. OD | C Nom. Ht | List Price |
|------------------|-----------|-----------|-----------|------------|
| 1/16" C/S | | | | |
| 606-112-037-SC | 1 | 1-1/8 | 3/8 | \$23.61 |
| 606-087-050 | 3/4 | 7/8 | 1/2 | 11.95 |
| 606-112-037-BC | 1 | 1-1/8 | 3/8 | 5.76 |
| 606-112-050 | 1 | 1-1/8 | 1/2 | 7.35 |
| 606-125-050-BC | 1-1/8 | 1-1/4 | 1/2 | 13.60 |
| 606-125-050-SC | 1-1/8 | 1-1/4 | 1/2 | 13.60 |
| 606-125-075-SC | 1-1/8 | 1-1/4 | 3/4 | 12.60 |
| 606-125-100 | 1-1/8 | 1-1/4 | .99 | 12.20 |
| 606-137-050 | 1-1/4 | 1-3/8 | 1/2 | 9.54 |
| 606-150-031-SC | 1-3/8 | 1-1/2 | 5/16 | 10.06 |
| 606-150-037-SC | 1-3/8 | 1-1/2 | 3/8 | 10.55 |
| 606-162-082 | 1-1/2 | 1-5/8 | .82 | 11.17 |
| 606-162-098-SC | 1-1/2 | 1-5/8 | 63/64 | 9.54 |
| 606-162-125 | 1-1/2 | 1-5/8 | 1-1/4 | 20.07 |
| 606-187-082 | 1-3/4 | 1-7/8 | .82 | 17.93 |
| 606-187-098-SC | 1-3/4 | 1-7/8 | 63/64 | 23.46 |
| 606-200-025-SC | 1-7/8 | 2 | 1/4 | 21.00 |
| 606-200-031-SC | 1-7/8 | 2 | 5/16 | 10.13 |
| 606-200-072-SC | 1-7/8 | 2 | 23/32 | 23.81 |
| 606-200-098-SC | 1-7/8 | 2 | 63/64 | 31.30 |
| 606-212-072-SC | 2 | 2-1/8 | 23/32 | 19.30 |
| 606-212-098-SC | 2 | 2-1/8 | .975 | 6.33 |
| 606-212-125 | 2 | 2-1/8 | 1-1/4 | 29.97 |
| 606-225-036 | 2-1/8 | 2-1/4 | 23/64 | 49.73 |
| 606-225-072-SC | 2-1/8 | 2-1/4 | 23/32 | 49.00 |
| 606-225-098-SC | 2-1/8 | 2-1/4 | 63/64 | 27.43 |
| 606-225-100 | 2-1/8 | 2-1/4 | 1 | 35.76 |
| 606-237-098-SC | 2-1/4 | 2-3/8 | .975 | 35.32 |
| 606-237-100 | 2-1/4 | 2-3/8 | 1 | 25.92 |
| 606-237-118 | 2-1/4 | 2-3/8 | 1-3/16 | 31.57 |
| 606-250-031-SC | 2-3/8 | 2-1/2 | 5/16 | 10.25 |
| 606-250-050 | 2-3/8 | 2-1/2 | 1/2 | 16.53 |
| 606-250-126-SC | 2-3/8 | 2-1/2 | 1.26 | 17.25 |
| 606-262-072-SC | 2-1/2 | 2-5/8 | .725 | 21.00 |
| 606-262-098-SC | 2-1/2 | 2-5/8 | 63/64 | 34.27 |
| 606-262-124-SC | 2-1/2 | 2-5/8 | 1.24 | 39.28 |

| Part Number | A Nom. ID | B Nom. OD | C Nom. Ht | List Price |
|------------------|-----------|-----------|-----------|------------|
| 606-262-168 | 2-1/2 | 2-5/8 | 1-11/16 | 50.16 |
| 606-275-050 | 2-5/8 | 2-3/4 | 1/2 | 25.85 |
| 606-275-098-SC | 2-5/8 | 2-3/4 | 63/64 | 14.22 |
| 606-275-100 | 2-5/8 | 2-3/4 | 1 | 20.96 |
| 606-287-098-SC | 2-3/4 | 2-7/8 | .978 | 14.07 |
| 606-287-100-SC | 2-3/4 | 2-7/8 | 1 | 42.50 |
| 606-287-126-SC | 2-3/4 | 2-7/8 | 1.26 | 35.67 |
| 606-287-157-SC | 2-3/4 | 2-7/8 | 1-9/16 | 49.66 |
| 606-287-181 | 2-3/4 | 2-7/8 | 1-13/16 | 32.30 |
| 606-312-098-SC | 3 | 3-1/8 | 63/64 | 15.12 |
| 606-312-124 | 3 | 3-1/8 | 1.24 | 70.68 |
| 606-312-148-SC | 3 | 3-1/8 | 1.48 | 72.10 |
| 606-312-156 | 3 | 3-1/8 | 1-9/16 | 78.35 |
| 606-312-165-SC | 3 | 3-1/8 | 1.65 | 40.00 |
| 606-325-031-SC | 3-1/8 | 3-1/4 | 5/16 | 10.44 |
| 606-325-050 | 3-1/8 | 3-1/4 | 1/2 | 9.52 |
| 606-337-174 | 3-1/4 | 3-3/8 | 1.74 | 71.23 |
| 606-337-187 | 3-1/4 | 3-3/8 | 1-7/8 | 59.75 |
| 606-362-105 | 3-1/2 | 3-5/8 | 1.05 | 48.04 |
| 606-362-188-SC | 3-1/2 | 3-5/8 | 1-7/8 | 57.67 |
| 606-387-157 | 3-3/4 | 3-7/8 | 1.57 | 78.85 |
| 606-400-031-SC | 3-7/8 | 4 | 5/16 | 18.42 |
| 606-500-043-SC | 4-7/8 | 5 | 7/16 | 19.50 |
| 606-600-043-SC | 5-7/8 | 6 | 7/16 | 22.46 |
| 606-800-050-SC | 7-7/8 | 8 | 1/2 | 34.70 |
| 5/64" C/S | | | | |
| 608-115-050 | 1 | 1-5/32 | 1/2 | \$23.46 |
| 608-125-050 | 1-3/32 | 1-1/4 | 1/2 | 11.57 |
| 608-152-075 | 1-3/8 | 1-17/32 | 3/4 | 12.61 |
| 608-154-075 | 1-3/8 | 1-17/32 | 3/4 | 11.97 |
| 608-166-062 | 1-1/2 | 1-21/32 | 5/8 | 11.06 |
| 608-166-075 | 1-1/2 | 1-21/32 | 3/4 | 8.84 |
| 608-216-098 | 2 | 2-5/32 | .979 | 49.7778 |
| 3/32" C/S | | | | |
| 609-125-018 | 1-1/16 | 1-1/4 | 3/16 | \$3.65 |
| 609-125-037 | 1-1/16 | 1-1/4 | 3/8 | 32.04 |

FORMERLY LISTED SEALS ARE AVAILABLE ONLINE AT WWW.HERCULESUS.COM
OR BY CONTACTING YOUR REGIONAL HERCULES SALES TEAM.



STYLE 600 NYLON WEAR RINGS

WEAR RINGS

| Part Number | A Nom. ID | B Nom. OD | C Nom. Ht | List Price |
|------------------|-----------|-----------|-----------|------------|
| 609-150-018 | 1-5/16 | 1-1/2 | 3/16 | 4.52 |
| 609-150-037 | 1-5/16 | 1-1/2 | 3/8 | 11.76 |
| 609-200-019 | 1-13/16 | 2 | 3/16 | 4.52 |
| 609-200-037 | 1-13/16 | 2 | 3/8 | 12.30 |
| 609-218-037 | 2 | 2-3/16 | 3/8 | 7.51 |
| 609-250-037 | 2-5/16 | 2-1/2 | 3/8 | 13.10 |
| 609-255-150 | 2-23/64 | 2-35/64 | 1-1/2 | 10.80 |
| 609-285-100 | 2.663 | 2.85 | 1 | 12.72 |
| 609-300-022 | 2-13/16 | 3 | 7/32 | 3.45 |
| 609-325-037 | 3-1/16 | 3-1/4 | 3/8 | 13.71 |
| 609-331-062 | 3-1/8 | 3-5/16 | 5/8 | 6.52 |
| 609-350-050 | 3-5/16 | 3-1/2 | 1/2 | 7.22 |
| 609-362-022 | 3-7/16 | 3-5/8 | 7/32 | 8.68 |
| 609-393-022 | 3-3/4 | 3-15/16 | 7/32 | 3.58 |
| 609-400-037 | 3-13/16 | 4 | 3/8 | 15.16 |
| 609-500-050 | 4-13/16 | 5 | 1/2 | 16.55 |
| 609-600-050 | 5-13/16 | 6 | 1/2 | 17.05 |
| .098" C/S | | | | |
| 609R-369-050P-SC | 3-1/2 | 3.696 | 1/2 | \$12.28 |
| 609R-419-075P-SC | 4 | 4.196 | 3/4 | 16.78 |
| 609P-600-050P-SC | 5.804 | 6 | 1/2 | 13.28 |
| 609P-650-075P-SC | 6.304 | 6-1/2 | 3/4 | 30.00 |
| 609P-700-075P-SC | 6.804 | 7 | 3/4 | 30.50 |
| .1" C/S | | | | |
| 610-270-228 | 2-1/2 | 2.7 | 2.28 | \$75.28 |
| 610-295-196 | 2-3/4 | 2.95 | 1.96 | 63.22 |
| 610-300-099-SC | 2.8 | 3 | .99 | 15.26 |
| 610-320-117-SC | 3 | 3.2 | 1.17 | 53.61 |
| 610-325-112 | 3.05 | 3-1/4 | 1-1/8 | 57.92 |
| 610-345-162-SC | 3-1/4 | 3.45 | 1-5/8 | 51.89 |
| 610-345-196 | 3-1/4 | 3.45 | 1.96 | 58.72 |
| 610-345-274-SC | 3-1/4 | 3.45 | 2.74 | 84.83 |
| 610-370-176 | 3-1/2 | 3.7 | 1.76 | 94.94 |
| 610-370-188-SC | 3-1/2 | 3.7 | 1-7/8 | 85.24 |
| 610-370-236-SC | 3-1/2 | 3.7 | 2.36 | 66.55 |
| 610-395-243 | 3-3/4 | 3.95 | 2-7/16 | 97.42 |
| 610-420-156-SC | 4 | 4.2 | 1-9/16 | 80.73 |
| 610-420-255 | 4 | 4.2 | 2.55 | 67.98 |
| 610-445-237 | 4-1/4 | 4.45 | 2-3/8 | 75.97 |
| 610-470-196-SC | 4-1/2 | 4.7 | 1.96 | 46.96 |
| 610-495-196-SC | 4-3/4 | 4.95 | 1.96 | 56.78 |
| 610-518-300-SC | 4.9875 | 5-3/16 | 3 | 151.93 |
| 610-520-250 | 5 | 5.2 | 2-1/2 | 94.94 |
| 610-595-361 | 5-3/4 | 5.95 | 3.6125 | 143.72 |
| 610-620-196-SC | 6 | 6.2 | 1.96 | 77.67 |
| 610-670-226-SC | 6-1/2 | 6.7 | 2.262 | 174.20 |
| 610-720-235-SC | 7 | 7.2 | 2.35 | 74.40 |
| 610-720-314 | 7 | 7.2 | 3.14 | 128.52 |
| 610-820-295-SC | 8 | 8.2 | 2.95 | 150.11 |
| 1/8" C/S | | | | |
| 612-100-037 | 3/4 | 1 | 3/8 | \$3.89 |
| 612-100-087-SC | 3/4 | 1 | 7/8 | 35.89 |
| 612-112-037 | 7/8 | 1-1/8 | 3/8 | 3.89 |
| 612-125-037 | 1 | 1-1/4 | 3/8 | 3.89 |
| 612-125-050 | 1 | 1-1/4 | 1/2 | 4.73 |
| 612-137-050 | 1-1/8 | 1-3/8 | 1/2 | 4.54 |
| 612-150-025 | 1-1/4 | 1-1/2 | 1/4 | 3.02 |

| Part Number | A Nom. ID | B Nom. OD | C Nom. Ht | List Price |
|-----------------|-----------|-----------|-----------|------------|
| 612-150-037 | 1-1/4 | 1-1/2 | 3/8 | 3.89 |
| 612-150-050-SC | 1-1/4 | 1-1/2 | 1/2 | 3.89 |
| 612-150-062 | 1-1/4 | 1-1/2 | 5/8 | 3.89 |
| 612-150-100 | 1-1/4 | 1-1/2 | 1 | 9.00 |
| 612-162-037 | 1-3/8 | 1-5/8 | 3/8 | 5.21 |
| 612-162-050 | 1-3/8 | 1-5/8 | 1/2 | 3.84 |
| 612-175-025 | 1-1/2 | 1-3/4 | 1/4 | 3.84 |
| 612-175-037 | 1-1/2 | 1-3/4 | 3/8 | 3.94 |
| 612-175-050 | 1-1/2 | 1-3/4 | 1/2 | 3.84 |
| 612-175-075 | 1-1/2 | 1-3/4 | 3/4 | 4.93 |
| 612-175-100 | 1-1/2 | 1-3/4 | 1 | 5.68 |
| 612-187-050 | 1-5/8 | 1-7/8 | 1/2 | 4.06 |
| 612-187-075 | 1-5/8 | 1-7/8 | 3/4 | 4.32 |
| 612-200-016 | 1-3/4 | 2 | .16 | 21.10 |
| 612-200-025-SC | 1-3/4 | 2 | 1/4 | 3.34 |
| 612-200-037-SC | 1-3/4 | 2 | 3/8 | 3.94 |
| 612-200-050-SC | 1-3/4 | 2 | 1/2 | 4.15 |
| 612-200-050-ST | 1-3/4 | 2 | 1/2 | 9.54 |
| 612R-200-050P | 1-3/4 | 2 | 1/2 | 7.65 |
| 612-200-062 | 1-3/4 | 2 | 5/8 | 4.24 |
| 612-200-075 | 1-3/4 | 2 | 3/4 | 4.41 |
| 612-200-100 | 1-3/4 | 2 | 1 | 7.65 |
| 612-200-100P-SC | 1-3/4 | 2 | 1 | 12.98 |
| 612-200-150 | 1-3/4 | 2 | 1-1/2 | 32.01 |
| 612-212-037 | 1-7/8 | 2-1/8 | 3/8 | 4.15 |
| 612-212-050 | 1-7/8 | 2-1/8 | 1/2 | 4.68 |
| 612-212-075 | 1-7/8 | 2-1/8 | 3/4 | 4.24 |
| 612-218-026 | 1.937 | 2.187 | .26 | 3.78 |
| 612-218-050 | 1.937 | 2.187 | 1/2 | 12.84 |
| 612-225-025 | 2 | 2-1/4 | 1/4 | 3.46 |
| 612-225-031 | 2 | 2-1/4 | 5/16 | 4.15 |
| 612-225-037 | 2 | 2-1/4 | 3/8 | 4.15 |
| 612-225-050 | 2 | 2-1/4 | 1/2 | 4.15 |
| 612-225-050-SC | 2 | 2-1/4 | 1/2 | 7.38 |
| 612-225-062 | 2 | 2-1/4 | 5/8 | 4.35 |
| 612-225-075 | 2 | 2-1/4 | 3/4 | 4.28 |
| 612-225-075-SC | 2 | 2-1/4 | 3/4 | 7.68 |
| 612-225-087-SC | 2 | 2-1/4 | 7/8 | 7.81 |
| 612-225-100 | 2 | 2-1/4 | 1 | 10.56 |
| 612-225-100-SC | 2 | 2-1/4 | 1 | 8.41 |
| 612-250-100P | 2 | 2-1/4 | 1 | 36.65 |
| 612-225-125P | 2 | 2-1/4 | 1-1/4 | 44.65 |
| 612-237-025 | 2-1/8 | 2-3/8 | 1/4 | 9.83 |
| 612-237-050 | 2-1/8 | 2-3/8 | 1/2 | 4.28 |
| 612-237-075 | 2-1/8 | 2-3/8 | 3/4 | 5.13 |
| 612-250-016P | 2-1/4 | 2-1/2 | .16 | 10.39 |
| 612-250-018 | 2-1/4 | 2-1/2 | 3/16 | 4.65 |
| 612-250-025 | 2-1/4 | 2-1/2 | 1/4 | 3.84 |
| 612-250-031 | 2-1/4 | 2-1/2 | 5/16 | 3.89 |
| 612-250-037-SC | 2-1/4 | 2-1/2 | 3/8 | 4.28 |
| 612-250-050-SC | 2-1/4 | 2-1/2 | 1/2 | 4.31 |
| 612-250-050-ST | 2-1/4 | 2-1/2 | 1/2 | 7.15 |
| 612-250-062 | 2-1/4 | 2-1/2 | 5/8 | 4.62 |
| 612-250-074-SC | 2-1/4 | 2-1/2 | .74 | 9.18 |
| 612-250-075 | 2-1/4 | 2-1/2 | 3/4 | 5.13 |
| 612-250-087 | 2-1/4 | 2-1/2 | 7/8 | 8.23 |
| 612-250-098-SL | 2 | 2-1/2 | .98 | 25.38 |
| 612-250-100 | 2-1/4 | 2-1/2 | 1 | 5.68 |

NORTH AMERICA
PHONE 1-800-777-5617
FAX 1-800-759-6391

SALES OFFICE HOURS
8 A.M. TO 7:30 P.M. EASTERN TIME
www.HerculesUS.com

WORLDWIDE
PHONE 1-727-796-1300
FAX 1-727-797-8849

STYLE 600 NYLON WEAR RINGS

| Part Number | A Nom. ID | B Nom. OD | C Nom. Ht | List Price | Part Number | A Nom. ID | B Nom. OD | C Nom. Ht | List Price |
|-----------------|-----------|-----------|-----------|------------|-----------------|-----------|-----------|-----------|------------|
| 612-250-100-ST | 2-1/4 | 2-1/2 | 1 | 12.66 | 612-325-200 | 3 | 3-1/4 | 2 | 25.98 |
| 612-262-050 | 2-3/8 | 2-5/8 | 1/2 | 7.44 | 612-325-200P-SC | 3 | 3-1/4 | 2 | 25.98 |
| 612-262-062 | 2-3/8 | 2-5/8 | 5/8 | 4.68 | 612-325-212-SC | 3 | 3-1/4 | 2-1/8 | 25.57 |
| 612-262-075 | 2-3/8 | 2-5/8 | 3/4 | 5.25 | 612-337-075 | 3-1/8 | 3-3/8 | 3/4 | 5.08 |
| 612-262-100 | 2-3/8 | 2-5/8 | 1 | 22.00 | 612-350-016P | 3-1/4 | 3-1/2 | .16 | 22.13 |
| 612-275-025 | 2-1/2 | 2-3/4 | 1/4 | 8.97 | 612-350-025 | 3-1/4 | 3-1/2 | 1/4 | 4.82 |
| 612-275-031 | 2-1/2 | 2-3/4 | 5/16 | 4.35 | 612-350-037-SC | 3-1/4 | 3-1/2 | 3/8 | 4.57 |
| 612-275-031P | 2-1/2 | 2-3/4 | 5/16 | 7.44 | 612-350-043 | 3-1/4 | 3-1/2 | 7/16 | 10.80 |
| 612-275-037-SC | 2-1/2 | 2-3/4 | 3/8 | 4.35 | 612-350-050-SC | 3-1/4 | 3-1/2 | 1/2 | 4.57 |
| 612-275-050-SC | 2-1/2 | 2-3/4 | 1/2 | 4.35 | 612-350-062 | 3-1/4 | 3-1/2 | 5/8 | 5.08 |
| 612-275-062 | 2-1/2 | 2-3/4 | 5/8 | 4.68 | 612-350-062-ST | 3-1/4 | 3-1/2 | 5/8 | 11.85 |
| 612-275-062-SC | 2-1/2 | 2-3/4 | 5/8 | 13.26 | 612-350-075 | 3-1/4 | 3-1/2 | 3/4 | 5.10 |
| 612-275-075 | 2-1/2 | 2-3/4 | 3/4 | 5.34 | 612-350-075P | 3-1/4 | 3-1/2 | 3/4 | 17.79 |
| 612-275-099-SL | 2-1/2 | 2-3/4 | .99 | 25.77 | 612-350-087 | 3-1/4 | 3-1/2 | 7/8 | 10.53 |
| 612-275-100 | 2-1/2 | 2-3/4 | 1 | 5.62 | 612-350-100-SC | 3-1/4 | 3-1/2 | 1 | 5.53 |
| 612-275-100-ST | 2-1/2 | 2-3/4 | 1 | 19.28 | 612-350-100-SL | 3-1/4 | 3-1/2 | 1 | 22.06 |
| 612-275-100P-SC | 2-1/2 | 2-3/4 | 1 | 23.23 | 612-350-100-ST | 3-1/4 | 3-1/2 | 1 | 16.33 |
| 612-275-093-SC | 2-1/2 | 2-3/4 | 1-5/16 | 13.09 | 612-350-112-SC | 3-1/4 | 3-1/2 | 1-1/8 | 14.16 |
| 612-275-150 | 2-1/2 | 2-3/4 | 1-1/2 | 15.79 | 612-350-150 | 3-1/4 | 3-1/2 | 1-1/2 | 15.80 |
| 612-275-150P | 2-1/2 | 2-3/4 | 1-1/2 | 55.73 | 612-362-050 | 3-3/8 | 3-5/8 | 1/2 | 9.04 |
| 612-275-200P-SC | 2-1/2 | 2-3/4 | 2 | 18.97 | 612-362-062 | 3-3/8 | 3-5/8 | 5/8 | 8.01 |
| 612-287-050 | 2-5/8 | 2-7/8 | 1/2 | 5.36 | 612-362-075 | 3-3/8 | 3-5/8 | 3/4 | 5.10 |
| 612-287-075 | 2-5/8 | 2-7/8 | 3/4 | 8.50 | 612-362-100 | 3-3/8 | 3-5/8 | 1 | 18.34 |
| 612-287-087 | 2-5/8 | 2-7/8 | 7/8 | 15.12 | 612-375-037-SC | 3-1/2 | 3-3/4 | 3/8 | 5.80 |
| 612-287-100 | 2-5/8 | 2-7/8 | 1 | 5.65 | 612-375-050-SC | 3-1/2 | 3-3/4 | 1/2 | 4.65 |
| 612-300-016P | 2-3/4 | 3 | .16 | 20.04 | 612-375-050-ST | 3-1/2 | 3-3/4 | 1/2 | 20.79 |
| 612-300-025 | 2-3/4 | 3 | 1/4 | 4.00 | 612-375-050P-SC | 3-1/2 | 3-3/4 | 1/2 | 12.45 |
| 612-300-031 | 2-3/4 | 3 | 5/16 | 4.28 | 612-375-062 | 3-1/2 | 3-3/4 | 5/8 | 5.24 |
| 612-300-037-SC | 2-3/4 | 3 | 3/8 | 4.42 | 612-375-075 | 3-1/2 | 3-3/4 | 3/4 | 5.34 |
| 612P-300-037P | 2-3/4 | 3 | 3/8 | 6.18 | 612-375-100-SC | 3-1/2 | 3-3/4 | 1 | 5.58 |
| 612-300-050-SC | 2-3/4 | 3 | 1/2 | 4.42 | 612-375-100P-SC | 3-1/2 | 3-3/4 | 1 | 15.33 |
| 612-300-050-ST | 2-3/4 | 3 | 1/2 | 13.27 | 612-375-124-SC | 3-1/2 | 3-3/4 | 1.24 | 15.59 |
| 612-300-050P | 2-3/4 | 3 | 1/2 | 11.03 | 612-375-125 | 3-1/2 | 3-3/4 | 1-1/4 | 20.35 |
| 612-300-050P-SC | 2-3/4 | 3 | 1/2 | 16.95 | 612-375-149 | 3-1/2 | 3-3/4 | 1.49 | 29.46 |
| 612-300-062 | 2-3/4 | 3 | 5/8 | 8.61 | 612-375-199 | 3-1/2 | 3-3/4 | 1.99 | 42.01 |
| 612-300-075-SC | 2-3/4 | 3 | 3/4 | 5.08 | 612-387-025 | 3-5/8 | 3-7/8 | 1/4 | 6.34 |
| 612-300-075-SL | 2-3/4 | 3 | 3/4 | 22.51 | 612-387-100 | 3-5/8 | 3-7/8 | 1 | 14.95 |
| 612-300-099-SC | 2-3/4 | 3 | 63/64 | 16.40 | 612-387-100-SC | 3-5/8 | 3-7/8 | 1 | 14.95 |
| 612-300-100-SC | 2-3/4 | 3 | 1 | 4.93 | 612-400-031 | 3-3/4 | 4 | 5/16 | 13.86 |
| 612-300-100-ST | 2-3/4 | 3 | 1 | 8.24 | 612-400-037-SC | 3-3/4 | 4 | 3/8 | 5.80 |
| 612-300-124-SC | 2-3/4 | 3 | 1.24 | 22.99 | 612-400-050-SC | 3-3/4 | 4 | 1/2 | 4.65 |
| 612-306-025 | 2.812 | 3.062 | 1/4 | 7.87 | 612-400-050-ST | 3-3/4 | 4 | 1/2 | 36.77 |
| 612-312-050 | 2-7/8 | 3-1/8 | 1/2 | 4.54 | 612-400-062 | 3-3/4 | 4 | 5/8 | 5.45 |
| 612-312-100 | 2-7/8 | 3-1/8 | 1 | 7.80 | 612-400-062-ST | 3-3/4 | 4 | 5/8 | 5.45 |
| 612-325-025 | 3 | 3-1/4 | 1/4 | 4.28 | 612-400-070 | 3-3/4 | 4 | .7 | 16.79 |
| 612-325-031 | 3 | 3-1/4 | 5/16 | 4.35 | 612-400-075-SC | 3-3/4 | 4 | 3/4 | 5.10 |
| 612-325-037-SC | 3 | 3-1/4 | 3/8 | 4.54 | 612-400-087 | 3-3/4 | 4 | 7/8 | 10.74 |
| 612-325-050-SC | 3 | 3-1/4 | 1/2 | 4.54 | 612-400-099-SC | 3-3/4 | 4 | .99 | 20.53 |
| 612-325-062 | 3 | 3-1/4 | 5/8 | 4.94 | 612-400-100 | 3-3/4 | 4 | 1 | 5.96 |
| 612-325-075-SC | 3 | 3-1/4 | 3/4 | 5.08 | 612-400-100-SL | 3-3/4 | 4 | 1 | 43.53 |
| 612-325-100 | 3 | 3-1/4 | 1 | 5.45 | 612-400-100P-SC | 3-3/4 | 4 | 1 | 29.50 |
| 612-325-100-SC | 3 | 3-1/4 | 1 | 9.65 | 612-400-125 | 3-3/4 | 4 | 1-1/4 | 13.48 |
| 612-325-111 | 3 | 3-1/4 | 1-7/64 | 17.72 | 612-400-150 | 3-3/4 | 4 | 1-1/2 | 33.16 |
| 612-325-125 | 3 | 3-1/4 | 1-1/4 | 20.30 | 612-412-042 | 3-7/8 | 4-1/8 | .42 | 18.36 |
| 612-325-150-ST | 3 | 3-1/4 | 1-1/2 | 15.47 | 612-412-100 | 3-7/8 | 4-1/8 | 1 | 16.93 |
| 612-325-150P | 3 | 3-1/4 | 1-1/2 | 15.79 | 612-425-025 | 4 | 4-1/4 | 1/4 | 12.26 |
| 612-325-155 | 3 | 3-1/4 | 1.55 | 22.00 | 612-425-037 | 4 | 4-1/4 | 3/8 | 5.95 |
| 612-325-162-SC | 3 | 3-1/4 | 1-5/8 | 19.71 | 612-425-050-SC | 4 | 4-1/4 | 1/2 | 4.78 |

WEAR RINGS



STYLE 600 NYLON WEAR RINGS

WEAR RINGS

| Part Number | A Nom. ID | B Nom. OD | C Nom. Ht | List Price | Part Number | A Nom. ID | B Nom. OD | C Nom. Ht | List Price |
|----------------|-----------|-----------|-----------|------------|-----------------|-----------|-----------|-----------|------------|
| 612-425-062 | 4 | 4-1/4 | 5/8 | 5.45 | 612-525-075-SC | 5 | 5-1/4 | 3/4 | 5.56 |
| 612-425-075-SC | 4 | 4-1/4 | 3/4 | 5.65 | 612-525-100 | 5 | 5-1/4 | 1 | 7.91 |
| 612-425-087P | 4 | 4-1/4 | 7/8 | 24.88 | 612-525-102-SC | 5 | 5-1/4 | 1-1/64 | 41.99 |
| 612-425-099-SC | 4 | 4-1/4 | .99 | 26.64 | 612-525-125 | 5 | 5-1/4 | 1-1/4 | 32.59 |
| 612-425-100-SC | 4 | 4-1/4 | 1 | 7.30 | 612-525-125-SC | 5 | 5-1/4 | 1-1/4 | 34.18 |
| 612-425-100P | 4 | 4-1/4 | 1 | 13.27 | 612-525-149 | 5 | 5-1/4 | 1.49 | 25.65 |
| 612-425-124-SC | 4 | 4-1/4 | 1.24 | 14.59 | 612-525-200P-SC | 5 | 5-1/4 | 2 | 39.54 |
| 612-425-125 | 4 | 4-1/4 | 1-1/4 | 14.87 | 612-525-361-SC | 5 | 5-1/4 | 3.6125 | 81.83 |
| 612-425-125-SC | 4 | 4-1/4 | 1-1/4 | 13.00 | 612-537-100-SC | 5-1/8 | 5-3/8 | 1-1/64 | 15.51 |
| 612-425-149-SC | 4 | 4-1/4 | 1.49 | 19.46 | 612-550-025 | 5-1/4 | 5-1/2 | 1/4 | 14.56 |
| 612-425-150P | 4 | 4-1/4 | 1-1/2 | 28.16 | 612-550-037 | 5-1/4 | 5-1/2 | 3/8 | 4.89 |
| 612-425-350 | 4 | 4-1/4 | 3-1/2 | 96.91 | 612-550-050-SC | 5-1/4 | 5-1/2 | 1/2 | 4.89 |
| 612-426-249-SC | 4.01 | 4.26 | 2-31/64 | 54.53 | 612-550-050-ST | 5-1/4 | 5-1/2 | 1/2 | 22.61 |
| 612-437-050-SC | 4-1/8 | 4-3/8 | 1/2 | 15.18 | 612-550-050P | 5-1/4 | 5-1/2 | 1/2 | 20.39 |
| 612-440-062 | 4.15 | 4.4 | 5/8 | 5.45 | 612-550-062 | 5-1/4 | 5-1/2 | 5/8 | 5.78 |
| 612-450-037-SC | 4-1/4 | 4-1/2 | 3/8 | 6.05 | 612-550-075-SC | 5-1/4 | 5-1/2 | 3/4 | 5.56 |
| 612-450-050-SC | 4-1/4 | 4-1/2 | 1/2 | 4.89 | 612-550-100-SC | 5-1/4 | 5-1/2 | 1 | 7.44 |
| 612-450-050P | 4-1/4 | 4-1/2 | 1/2 | 9.67 | 612-550-125 | 5-1/4 | 5-1/2 | 1-1/4 | 20.81 |
| 612-450-062 | 4-1/4 | 4-1/2 | 5/8 | 5.45 | 612-550-137 | 5-1/4 | 5-1/2 | 1-3/8 | 40.21 |
| 612-450-075 | 4-1/4 | 4-1/2 | 3/4 | 5.33 | 612-550-161 | 5-1/4 | 5-1/2 | 1-39/64 | 51.15 |
| 612-450-075-SC | 4-1/4 | 4-1/2 | 3/4 | 9.76 | 612-550-175-SC | 5-1/4 | 5-1/2 | 1.74 | 27.55 |
| 612-450-087 | 4-1/4 | 4-1/2 | 7/8 | 12.60 | 612-550-199 | 5-1/4 | 5-1/2 | 1.99 | 56.43 |
| 612-450-099-SC | 4-1/4 | 4-1/2 | 63/64 | 15.49 | 612-550-224-SC | 5-1/4 | 5-1/2 | 2-15/64 | 66.25 |
| 612-450-100-SC | 4-1/4 | 4-1/2 | 1 | 7.30 | 612-575-050-SC | 5-1/2 | 5-3/4 | 1/2 | 5.58 |
| 612-450-100-SL | 4-1/4 | 4-1/2 | 1 | 13.23 | 612-575-062 | 5-1/2 | 5-3/4 | 5/8 | 5.95 |
| 612-450-093-SC | 4-1/4 | 4-1/2 | 1-5/16 | 16.24 | 612-575-075 | 5-1/2 | 5-3/4 | 3/4 | 7.15 |
| 612-450-149-SC | 4-1/4 | 4-1/2 | 1.49 | 22.43 | 612-575-100-SC | 5-1/2 | 5-3/4 | 1 | 7.58 |
| 612-450-150 | 4-1/4 | 4-1/2 | 1-1/2 | 22.86 | 612-575-150 | 5-1/2 | 5-3/4 | 1-1/2 | 27.44 |
| 612-450-186 | 4-1/4 | 4-1/2 | 1-55/64 | 37.10 | 612-575-161-SC | 5-1/2 | 5-3/4 | 1-39/64 | 82.34 |
| 612-450-236 | 4-1/4 | 4-1/2 | 2-23/64 | 61.80 | 612-575-175 | 5-1/2 | 5-3/4 | 1-3/4 | 24.78 |
| 612-450-350 | 4-1/4 | 4-1/2 | 3-1/2 | 80.95 | 612-575-199 | 5-1/2 | 5-3/4 | 1.99 | 64.38 |
| 612-475-050 | 4-1/2 | 4-3/4 | 1/2 | 4.89 | 612-575-236 | 5-1/2 | 5-3/4 | 2.368 | 88.17 |
| 612-475-075-SC | 4-1/2 | 4-3/4 | 3/4 | 5.45 | 612-600-037 | 5-3/4 | 6 | 3/8 | 7.04 |
| 612-475-099-SC | 4-1/2 | 4-3/4 | 63/64 | 28.10 | 612-600-050-SC | 5-3/4 | 6 | 1/2 | 5.58 |
| 612-475-100-SC | 4-1/2 | 4-3/4 | 1 | 7.36 | 612-600-050P-SC | 5-3/4 | 6 | 1/2 | 10.13 |
| 612-475-124-SC | 4-1/2 | 4-3/4 | 1.24 | 21.80 | 612-600-062 | 5-3/4 | 6 | 5/8 | 5.95 |
| 612-475-125-SC | 4-1/2 | 4-3/4 | 1-1/4 | 13.60 | 612-600-062-SC | 5-3/4 | 6 | 5/8 | 21.33 |
| 612-475-150 | 4-1/2 | 4-3/4 | 1-1/2 | 25.13 | 612-600-075-SC | 5-3/4 | 6 | 3/4 | 5.78 |
| 612-475-156 | 4-1/2 | 4-3/4 | 1-9/16 | 36.97 | 612-600-087 | 5-3/4 | 6 | 7/8 | 15.16 |
| 612-475-164-SC | 4-1/2 | 4-3/4 | 1.645 | 39.94 | 612-600-100-SC | 5-3/4 | 6 | 1 | 7.58 |
| 612-475-199 | 4-1/2 | 4-3/4 | 1.99 | 102.70 | 612-600-107 | 5-3/4 | 6 | 1-1/16 | 35.99 |
| 612-475-200 | 4-1/2 | 4-3/4 | 2 | 36.21 | 612-600-124-SC | 5-3/4 | 6 | 1-15/64 | 28.53 |
| 612-475-350 | 4-1/2 | 4-3/4 | 3-1/2 | 63.84 | 612-600-125 | 5-3/4 | 6 | 1-15/64 | 27.14 |
| 612-487-075 | 4-5/8 | 4-7/8 | 3/4 | 8.94 | 612-600-131-SC | 5-3/4 | 6 | 1-5/16 | 30.49 |
| 612-500-037 | 4-3/4 | 5 | 3/8 | 6.21 | 612-600-150 | 5-3/4 | 6 | 1-1/2 | 31.84 |
| 612-500-050-SC | 4-3/4 | 5 | 1/2 | 4.89 | 612-600-150-ST | 5-3/4 | 6 | 1-1/2 | 42.13 |
| 612-500-062 | 4-3/4 | 5 | .622 | 5.45 | 612-600-174-SC | 5-3/4 | 6 | 1.74 | 51.45 |
| 612-500-075-SC | 4-3/4 | 5 | 3/4 | 5.45 | 612-600-200 | 5-3/4 | 6 | 2 | 39.93 |
| 612-500-100-SC | 4-3/4 | 5 | 1 | 7.36 | 612-600-286 | 5-3/4 | 6 | 2-55/64 | 110.00 |
| 612-500-111-SC | 4-3/4 | 5 | 1-7/64 | 18.18 | 612-625-050 | 6 | 6-1/4 | 1/2 | 6.41 |
| 612-500-112 | 4-3/4 | 5 | 1-1/8 | 18.57 | 612-625-062 | 6 | 6-1/4 | 5/8 | 5.99 |
| 612-500-124 | 4-3/4 | 5 | 1.24 | 39.54 | 612-625-075 | 6 | 6-1/4 | 3/4 | 6.39 |
| 612-500-155-SC | 4-3/4 | 5 | 1.545 | 19.19 | 612-625-100 | 6 | 6-1/4 | 1 | 7.67 |
| 612-500-175 | 4-3/4 | 5 | 1-3/4 | 23.20 | 612-625-149-SC | 6 | 6-1/4 | 1.49 | 31.84 |
| 612-512-156 | 4-7/8 | 5-1/8 | 1-9/16 | 23.30 | 612-625-150 | 6 | 6-1/4 | 1-1/2 | 26.06 |
| 612-512-156-SC | 4-7/8 | 5-1/8 | 1-9/16 | 23.30 | 612-625-174-SC | 6 | 6-1/4 | 1.74 | 53.16 |
| 612-525-050 | 5 | 5-1/4 | 1/2 | 4.89 | 612-625-200 | 6 | 6-1/4 | 2 | 42.94 |
| 612-525-062 | 5 | 5-1/4 | 5/8 | 5.45 | 612-625-200P-SC | 6 | 6-1/4 | 2 | 66.72 |

NORTH AMERICA
PHONE 1-800-777-5617
FAX 1-800-759-6391

SALES OFFICE HOURS
8 A.M. TO 7:30 P.M. EASTERN TIME
www.HerculesUS.com

WORLDWIDE
PHONE 1-727-796-1300
FAX 1-727-797-8849

STYLE 600 NYLON WEAR RINGS

WEAR RINGS

| Part Number | A Nom. ID | B Nom. OD | C Nom. Ht | List Price |
|-----------------|-----------|-----------|-----------|------------|
| 612-625-274-SC | 6 | 6-1/4 | 2.74 | 147.60 |
| 612-650-037 | 6-1/4 | 6-1/2 | 3/8 | 11.73 |
| 612-650-050-SC | 6-1/4 | 6-1/2 | 1/2 | 6.41 |
| 612-650-062 | 6-1/4 | 6-1/2 | .622 | 6.41 |
| 612-650-075 | 6-1/4 | 6-1/2 | 3/4 | 6.41 |
| 612-650-100-SC | 6-1/4 | 6-1/2 | 1 | 8.18 |
| 612-650-125 | 6-1/4 | 6-1/2 | 1-1/4 | 29.21 |
| 612-650-137 | 6-1/4 | 6-1/2 | 1-3/8 | 26.44 |
| 612-650-149-SC | 6-1/4 | 6-1/2 | 1.49 | 26.58 |
| 612-650-150-ST | 6-1/4 | 6-1/2 | 1-1/2 | 26.58 |
| 612-650-174 | 6-1/4 | 6-1/2 | 1.74 | 52.91 |
| 612-650-199-SC | 6-1/4 | 6-1/2 | 1.99 | 44.86 |
| 612-650-200 | 6-1/4 | 6-1/2 | 2 | 50.30 |
| 612-650-274-SC | 6-1/4 | 6-1/2 | 2.74 | 147.60 |
| 612-650-286 | 6-1/4 | 6-1/2 | 2-55/64 | 72.88 |
| 612-650-348-SC | 6-1/4 | 6-1/2 | 3-31/64 | 142.27 |
| 612-675-050 | 6-1/2 | 6-3/4 | 1/2 | 5.80 |
| 612-675-075 | 6-1/2 | 6-3/4 | 3/4 | 8.50 |
| 612-675-100 | 6-1/2 | 6-3/4 | 1 | 10.44 |
| 612-675-150P | 6-1/2 | 6-3/4 | 1-1/2 | 26.26 |
| 612-676-125P-SC | 6.506 | 6.756 | 1-1/4 | 41.42 |
| 612-700-050-SC | 6-3/4 | 7 | 1/2 | 6.41 |
| 612-700-062 | 6-3/4 | 7 | 5/8 | 6.41 |
| 612-700-062-SC | 6-3/4 | 7 | 5/8 | 12.17 |
| 612-700-075-SC | 6-3/4 | 7 | 3/4 | 8.50 |
| 612-700-100-SC | 6-3/4 | 7 | 1 | 10.92 |
| 612-700-068 | 6-3/4 | 7 | 1-1/16 | 32.39 |
| 612-700-149-ST | 6-3/4 | 7 | 1-31/64 | 23.66 |
| 612-700-150-SC | 6-3/4 | 7 | 1-1/2 | 13.28 |
| 612-700-174 | 6-3/4 | 7 | 1.74 | 53.06 |
| 612-700-199-SC | 6-3/4 | 7 | 1.99 | 55.17 |
| 612-700-200 | 6-3/4 | 7 | 2 | 50.30 |
| 612-700-236-SC | 6-3/4 | 7 | 2-23/64 | 132.23 |
| 612-700-300 | 6-3/4 | 7 | 3 | 136.29 |
| 612-700-312 | 6-3/4 | 7 | 3-7/64 | 54.67 |
| 612-725-050 | 7 | 7-1/4 | 1/2 | 11.46 |
| 612-725-062 | 7 | 7-1/4 | 5/8 | 14.33 |
| 612-725-075 | 7 | 7-1/4 | 3/4 | 8.63 |
| 612-725-100-SC | 7 | 7-1/4 | 1 | 16.86 |
| 612-725-138 | 7 | 7-1/4 | 1-3/8 | 58.20 |
| 612-725-199-SC | 7 | 7-1/4 | 1.99 | 57.23 |
| 612-725-200 | 7 | 7-1/4 | 2 | 58.37 |
| 612-725-200P-SC | 7 | 7-1/4 | 2 | 57.23 |
| 612-725-710 | 7 | 7-1/4 | 7.1 | 273.02 |
| 612-750-050 | 7-1/4 | 7-1/2 | 1/2 | 6.41 |
| 612-750-062 | 7-1/4 | 7-1/2 | 5/8 | 10.42 |
| 612-750-075 | 7-1/4 | 7-1/2 | 3/4 | 7.48 |
| 612-750-100 | 7-1/4 | 7-1/2 | 1 | 16.86 |
| 612-750-149-SC | 7-1/4 | 7-1/2 | 1.49 | 45.80 |
| 612-750-200 | 7-1/4 | 7-1/2 | 2 | 49.77 |
| 612-750-236 | 7-1/4 | 7-1/2 | 2-23/64 | 84.78 |
| 612-750-249-SC | 7-1/4 | 7-1/2 | 2.49 | 80.98 |
| 612-750-295 | 7-1/4 | 7-1/2 | 2.935 | 215.01 |
| 612-775-050 | 7-1/2 | 7-3/4 | 1/2 | 23.32 |
| 612-775-100 | 7-1/2 | 7-3/4 | 1 | 29.33 |
| 612-775-199 | 7-1/2 | 7-3/4 | 1.99 | 61.53 |
| 612-775-350 | 7-1/2 | 7-3/4 | 3-1/2 | 139.58 |
| 612-787-100 | 7-5/8 | 7-7/8 | 1 | 37.06 |

| Part Number | A Nom. ID | B Nom. OD | C Nom. Ht | List Price |
|-----------------|-----------|-----------|-----------|------------|
| 612-800-050-SC | 7-3/4 | 8 | 1/2 | 6.97 |
| 612-800-062 | 7-3/4 | 8 | 5/8 | 14.33 |
| 612-800-075-SC | 7-3/4 | 8 | 3/4 | 9.86 |
| 612-800-087 | 7-3/4 | 8 | 7/8 | 29.36 |
| 612-800-100-SC | 7-3/4 | 8 | 1 | 16.86 |
| 612-800-146-ST | 7-3/4 | 8 | 1.46 | 52.45 |
| 612-800-200 | 7-3/4 | 8 | 2 | 77.22 |
| 612-800-225-SC | 7-3/4 | 8 | 2.244 | 130.48 |
| 612-800-500 | 7-3/4 | 8 | 5 | 130.89 |
| 612-825-075 | 8 | 8-1/4 | 3/4 | 17.54 |
| 612-825-100-SC | 8 | 8-1/4 | 1 | 18.06 |
| 612-825-125 | 8 | 8-1/4 | 1-1/4 | 30.24 |
| 612-825-174-SC | 8 | 8-1/4 | 1.74 | 52.61 |
| 612-825-212-SC | 8 | 8-1/4 | 2-1/8 | 81.51 |
| 612-825-224-SC | 8 | 8-1/4 | 2-15/64 | 87.15 |
| 612-825-249 | 8 | 8-1/4 | 2.488 | 133.96 |
| 612-825-274 | 8 | 8-1/4 | 2.74 | 108.05 |
| 612-825-411-SC | 8 | 8-1/4 | 4-7/64 | 92.22 |
| 612-850-050 | 8-1/4 | 8-1/2 | 1/2 | 7.73 |
| 612-850-062 | 8-1/4 | 8-1/2 | 5/8 | 11.01 |
| 612-850-075 | 8-1/4 | 8-1/2 | 3/4 | 13.57 |
| 612-850-100 | 8-1/4 | 8-1/2 | 1 | 22.66 |
| 612-850-150-ST | 8-1/4 | 8-1/2 | 1-1/2 | 41.70 |
| 612-850-200 | 8-1/4 | 8-1/2 | 2 | 57.23 |
| 612-850-236 | 8-1/4 | 8-1/2 | 2-23/64 | 117.88 |
| 612-850-237 | 8-1/4 | 8-1/2 | 2-3/8 | 68.35 |
| 612-850-300 | 8-1/4 | 8-1/2 | 3 | 134.52 |
| 612-862-050 | 8-3/8 | 8-5/8 | 1/2 | 11.51 |
| 612-862-100 | 8-3/8 | 8-5/8 | 1 | 32.52 |
| 612-875-100 | 8-1/2 | 8-3/4 | 1 | 34.73 |
| 612-900-050 | 8-3/4 | 9 | 1/2 | 12.36 |
| 612-900-062 | 8-3/4 | 9 | 5/8 | 11.60 |
| 612-900-075 | 8-3/4 | 9 | 3/4 | 14.12 |
| 612-900-075-SC | 8-3/4 | 9 | 3/4 | 20.96 |
| 612-900-100 | 8-3/4 | 9 | 1 | 23.08 |
| 612-900-150 | 8-3/4 | 9 | 1-1/2 | 125.65 |
| 612-900-200 | 8-3/4 | 9 | 2 | 188.05 |
| 612-900-293-SC | 8-3/4 | 9 | 2.946 | 84.47 |
| 612-912-100 | 8-7/8 | 9-1/8 | 1 | 33.21 |
| 612-925-100-SC | 9 | 9-1/4 | 1 | 33.79 |
| 612-925-101-SC | 8.994 | 9-1/4 | 1-1/64 | 63.63 |
| 612-925-150-SC | 9 | 9-1/4 | 1-1/2 | 110.98 |
| 612-925-225 | 9 | 9-1/4 | 2-1/4 | 134.08 |
| 612-950-050 | 9-1/4 | 9-1/2 | 1/2 | 12.92 |
| 612-950-062 | 9-1/4 | 9-1/2 | 5/8 | 13.09 |
| 612-950-075 | 9-1/4 | 9-1/2 | 3/4 | 20.57 |
| 612-950-100 | 9-1/4 | 9-1/2 | 1 | 41.68 |
| 612-950-125 | 9-1/4 | 9-1/2 | 1-1/4 | 50.21 |
| 612-962-150P-SC | 9-3/8 | 9-5/8 | 1-1/2 | 82.21 |
| 612-975-050 | 9-1/2 | 9-3/4 | 1/2 | 13.20 |
| 612-975-075 | 9-1/2 | 9-3/4 | 3/4 | 22.48 |
| 612-987-050 | 9-5/8 | 9-7/8 | 1/2 | 21.63 |
| 612-1000-025 | 9-3/4 | 10 | 1/4 | 36.43 |
| 612-1000-050-SC | 9-3/4 | 10 | 1/2 | 21.63 |
| 612-1000-062 | 9-3/4 | 10 | 5/8 | 33.55 |
| 612-1000-075-SC | 9-3/4 | 10 | 3/4 | 22.48 |
| 612-1000-100-SC | 9-3/4 | 10 | 1 | 24.75 |
| 612-1000-125 | 9-3/4 | 10 | 1-1/4 | 32.72 |

FORMERLY LISTED SEALS ARE AVAILABLE ONLINE AT WWW.HERCULESUS.COM
OR BY CONTACTING YOUR REGIONAL HERCULES SALES TEAM.



STYLE 600 NYLON WEAR RINGS

WEAR RINGS

| Part Number | A Nom. ID | B Nom. OD | C Nom. Ht | List Price |
|------------------|-----------|-----------|-----------|------------|
| 612-1000-150 | 9-3/4 | 10 | 1-1/2 | 65.91 |
| 612-1000-175 | 9-3/4 | 10 | 1-3/4 | 116.14 |
| 612-1000-274-SC | 9-3/4 | 10 | 2.74 | 137.29 |
| 612-1000-324-SC | 9-3/4 | 10 | 3.24 | 106.45 |
| 612-1025-075 | 10 | 10-1/4 | 3/4 | 88.91 |
| 612-1025-100 | 10 | 10-1/4 | 1 | 19.30 |
| 612-1025-125-SC | 10 | 10-1/4 | 1-1/4 | 95.35 |
| 612-1050-050 | 10-1/4 | 10-1/2 | 1/2 | 33.23 |
| 612-1050-100 | 10-1/4 | 10-1/2 | 1 | 66.20 |
| 612-1050-125 | 10-1/4 | 10-1/2 | 1-1/4 | 70.91 |
| 612-1050-150-ST | 10-1/4 | 10-1/2 | 1-1/2 | 180.55 |
| 612-1050-274 | 10-1/4 | 10-1/2 | 2-47/64 | 180.63 |
| 612-1050-374-SC | 10-1/4 | 10-1/2 | 3.74 | 106.87 |
| 612-1050-375 | 10-1/4 | 10-1/2 | 3-3/4 | 148.22 |
| 612-1050-400 | 10-1/4 | 10-1/2 | 4 | 152.72 |
| 612-1100-050 | 10-3/4 | 11 | 1/2 | 61.62 |
| 612-1100-100 | 10-3/4 | 11 | 1 | 65.39 |
| 612-1100-125 | 10-3/4 | 11 | 1-1/4 | 71.04 |
| 612-1100-162 | 10-3/4 | 11 | 1-5/8 | 159.25 |
| 612-1100-187 | 10-3/4 | 11 | 1-7/8 | 201.73 |
| 612-1100-323-SC | 10-3/4 | 11 | 3.235 | 229.83 |
| 612-1125-125 | 11 | 11-1/4 | 1-1/4 | 111.47 |
| 612-1150-075 | 11-1/4 | 11-1/2 | 3/4 | 49.30 |
| 612-1150-125 | 11-1/4 | 11-1/2 | 1-1/4 | 87.08 |
| 612-1150-387 | 11-1/4 | 11-1/2 | 3-7/8 | 117.32 |
| 612-1200-050 | 11-3/4 | 12 | 1/2 | 37.61 |
| 612-1200-100P | 11-3/4 | 12 | 1 | 63.10 |
| 612-1200-125 | 11-3/4 | 12 | 1-1/4 | 117.12 |
| 612-1200-150 | 11-3/4 | 12 | 1-1/2 | 124.08 |
| 612-1200-200 | 11-3/4 | 12 | 2 | 136.13 |
| 612-1225-100 | 12 | 12-1/4 | 1 | 167.24 |
| 612-1225-125 | 12 | 12-1/4 | 1-1/4 | 172.88 |
| 612-1250-075 | 12-1/4 | 12-1/2 | 3/4 | 126.22 |
| 612-1250-399-SC | 12-1/4 | 12-1/2 | 3.987 | 206.13 |
| 612-1275-399-SC | 12-1/2 | 12-3/4 | 3.987 | 235.16 |
| 612-1300-150 | 12-3/4 | 13 | 1-1/2 | 318.09 |
| 612-1325-100 | 13 | 13-1/4 | 1 | 126.05 |
| 612-1350-075 | 13-1/4 | 13-1/2 | 3/4 | 144.83 |
| 612-1375-399-SC | 13-1/2 | 13-3/4 | 4 | 259.43 |
| 612-1400-050 | 13-3/4 | 14 | 1/2 | 133.72 |
| 612-1400-100-SC | 13-3/4 | 14 | 1 | 134.85 |
| 612-1400-125 | 13-3/4 | 14 | 1-1/4 | 190.30 |
| 612-1400-150 | 13-3/4 | 14 | 1-1/2 | 224.29 |
| 612-1425-399-SC | 14 | 14-1/4 | 3.993 | 270.87 |
| 612-1600-050 | 15-3/4 | 16 | 1/2 | 185.20 |
| 612-1600-100-SC | 15-3/4 | 16 | 1 | 131.05 |
| 612-1600-150 | 15-3/4 | 16 | 1-1/2 | 330.41 |
| 3/16" C/S | | | | |
| 616-2203-062 | 1.825 | 2.2 | 5/8 | \$12.01 |
| 616-2623-062 | 2-1/4 | 2-5/8 | 5/8 | 15.76 |
| 616-2873-062 | 2-1/2 | 2-7/8 | 5/8 | 11.41 |
| 616-3003-050 | 2-5/8 | 3 | 1/2 | 41.85 |
| 616-3003-075 | 2-5/8 | 3 | 3/4 | 12.08 |
| 616-3003-087 | 2-5/8 | 3 | 7/8 | 14.54 |
| 616-3063-062 | 2-11/16 | 3-1/16 | 5/8 | 14.59 |
| 616-3123-100 | 2-3/4 | 3-1/8 | 1 | 27.02 |
| 616-3123-125 | 2-3/4 | 3-1/8 | 1-1/4 | 46.79 |

| Part Number | A Nom. ID | B Nom. OD | C Nom. Ht | List Price |
|-----------------|-----------|-----------|-----------|------------|
| 616-3253-062 | 2-7/8 | 3-1/4 | 5/8 | 26.22 |
| 616-3373-125 | 3 | 3-3/8 | 1-1/4 | 52.45 |
| 616-3503-050 | 3-1/8 | 3-1/2 | 1/2 | 17.83 |
| 616-3503-075 | 3-1/8 | 3-1/2 | 3/4 | 14.69 |
| 616-3503-100 | 3-1/8 | 3-1/2 | 1 | 26.72 |
| 616-3623-125 | 3-1/4 | 3-5/8 | 1-1/4 | 28.97 |
| 616-3753-100 | 3-3/8 | 3-3/4 | 1 | 33.30 |
| 616-3873-125 | 3-1/2 | 3-7/8 | 1-1/4 | 25.54 |
| 616-3873-175 | 3-1/2 | 3-7/8 | 1-3/4 | 45.99 |
| 616-3873-262 | 3-1/2 | 3-7/8 | 2-5/8 | 79.82 |
| 616-4003-050 | 3-5/8 | 4 | 1/2 | 18.15 |
| 616-4003-087 | 3-5/8 | 4 | 7/8 | 15.32 |
| 616-4003-100 | 3-5/8 | 4 | 1 | 33.30 |
| 616-4123-100 | 3-3/4 | 4-1/8 | 1 | 33.62 |
| 616-4253-075 | 3-7/8 | 4-1/4 | 3/4 | 16.17 |
| 616-4373-150 | 4 | 4-3/8 | 1-1/2 | 31.30 |
| 616-4373-175 | 4 | 4-3/8 | 1-3/4 | 70.63 |
| 616-4503-050 | 4-1/8 | 4-1/2 | 1/2 | 22.36 |
| 616-4503-100 | 4-1/8 | 4-1/2 | 1 | 35.40 |
| 616-4875-150 | 4-1/2 | 4-7/8 | 1-1/2 | 49.05 |
| 616-4875-225 | 4-1/2 | 4-7/8 | 2-1/4 | 72.88 |
| 616-5003-087 | 4-5/8 | 5 | 7/8 | 17.93 |
| 616-5003-100 | 4-5/8 | 5 | 1 | 29.53 |
| 616-5003-150 | 4-5/8 | 5 | 1-1/2 | 30.99 |
| 616-5123-075 | 4-3/4 | 5-1/8 | 3/4 | 33.07 |
| 616-5503-050-SC | 5-1/8 | 5-1/2 | 1/2 | 29.05 |
| 616-5503-087 | 5-1/8 | 5-1/2 | 7/8 | 29.60 |
| 616-5503-100 | 5-1/8 | 5-1/2 | 1 | 40.23 |
| 616-5503-125-SC | 5-1/8 | 5-1/2 | 1-1/4 | 32.20 |
| 616-5503-150 | 5-1/8 | 5-1/2 | 1-1/2 | 43.13 |
| 616-5503-174 | 5-1/8 | 5-1/2 | 1.74 | 63.11 |
| 616-5753-100 | 5-3/8 | 5-3/4 | 1 | 48.39 |
| 616-6003-062 | 5-5/8 | 6 | 5/8 | 24.75 |
| 616-6003-087 | 5-5/8 | 6 | 7/8 | 31.69 |
| 616-6003-100 | 5-5/8 | 6 | 1 | 46.11 |
| 616-6003-125 | 5-5/8 | 6 | 1-1/4 | 30.52 |
| 616-6003-274 | 5-5/8 | 6 | 2.74 | 145.94 |
| 616-6123-075 | 5-3/4 | 6-1/8 | 3/4 | 37.43 |
| 616-6123-095 | 5-3/4 | 6-1/8 | 61/64 | 56.55 |
| 616-6503-075 | 6-1/8 | 6-1/2 | 3/4 | 53.47 |
| 616-6503-150 | 6-1/8 | 6-1/2 | 1-1/2 | 38.55 |
| 616-6753-100 | 6-3/8 | 6-3/4 | 1 | 48.85 |
| 616-7003-125 | 6-5/8 | 7 | 1-1/4 | 37.65 |
| 616-7123-087 | 6-3/4 | 7-1/8 | 7/8 | 64.14 |
| 616-7123-100 | 6-3/4 | 7-1/8 | 1 | 51.91 |
| 616-7253-100 | 6-7/8 | 7-1/4 | 1 | 51.91 |
| 616-7253-306 | 6-7/8 | 7-1/4 | 3-1/16 | 159.70 |
| 616-7373-161 | 7 | 7-3/8 | 1-39/64 | 107.12 |
| 616-7373-738 | 7 | 7-3/8 | 7-3/8 | 320.40 |
| 616-8003-050 | 7-5/8 | 8 | 1/2 | 50.91 |
| 616-8003-150 | 7-5/8 | 8 | 1-1/2 | 54.54 |
| 616-8003-275 | 7-5/8 | 8 | 2-3/4 | 139.94 |
| 616-8253-199 | 7-7/8 | 8-1/4 | 1.99 | 131.33 |
| 616-8253-274 | 7-7/8 | 8-1/4 | 2.74 | 181.15 |
| 616-8503-100 | 8-1/8 | 8-1/2 | 1 | 53.49 |
| 616-9503-193 | 9-1/8 | 9-1/2 | 1-59/64 | 183.22 |
| 616-9875-050 | 9-1/2 | 9-7/8 | 1/2 | 92.98 |
| 616-10003-125 | 9-5/8 | 10 | 1-1/4 | 82.74 |

NORTH AMERICA
PHONE 1-800-777-5617
FAX 1-800-759-6391

SALES OFFICE HOURS
8 A.M. TO 7:30 P.M. EASTERN TIME
www.HerculesUS.com

WORLDWIDE
PHONE 1-727-796-1300
FAX 1-727-797-8849



STYLE 600 NYLON WEAR RINGS

| Part Number | A Nom. ID | B Nom. OD | C Nom. Ht | List Price |
|-------------------|-----------|-----------|-----------|------------|
| 616-10003-150 | 9-5/8 | 10 | 1-1/2 | 159.66 |
| 616-11375-261-SC | 11 | 11-3/8 | 2-39/64 | 130.14 |
| 616-11375-1097-SC | 11 | 11-3/8 | 11 | 858.98 |
| 616-12003-250 | 11-5/8 | 12 | 2-1/2 | 169.11 |
| 616-12253-400 | 11-7/8 | 12-1/4 | 4 | 284.10 |
| 616-12873-289 | 12-1/2 | 12-7/8 | 2-57/64 | 387.08 |
| 616-12875-1218-SC | 12-1/2 | 12-7/8 | 12-3/16 | 890.58 |
| 616-13125-785-SC | 12-3/4 | 13-1/8 | 7-55/64 | 756.09 |
| 616-13875-236-SC | 13-1/2 | 13-7/8 | 2-23/64 | 158.76 |
| 616-13875-999-SC | 13-1/2 | 13-7/8 | 10 | 642.07 |
| 616-14003-100 | 13-5/8 | 14 | 1 | 313.81 |
| 616-15125-769-SC | 14-3/4 | 15-1/8 | 7-11/16 | 669.07 |
| 616-16125-769-SC | 15-3/4 | 16-1/8 | 7-11/16 | 632.42 |
| 1/4" C/S | | | | |
| 625-650-349 | 6 | 6-1/2 | 3.485 | \$ 189.51 |
| 625-825-350 | 7-3/4 | 8-1/4 | 3.485 | 187.48 |

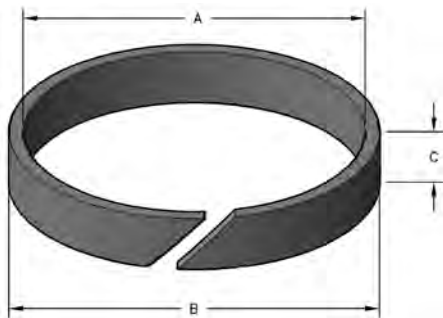
WEAR RINGS



STYLE PB HERCULES® POWERBANDS™ 1/8" THICK

Hercules® Sealing Products is pleased to introduce our new line of Powerband™ tight tolerance premium wear-rings. Manufactured from a highly engineered blend of premium nylon, glass fiber, and PTFE, Powerbands™ offer a high strength wear-ring for all cylinder applications, including those with minimal lubrication. And, with a Coefficient of Friction nearly 50% lower than our standard product, your cylinders will run smoother and more efficiently than ever.

All Powerbands™ are fully machined with cross-section tolerances of only ± 0.001 ", chamfered corners, and scarf or angle-cut end gaps. Compared to standard tolerances of ± 0.0025 ", this tightened tolerance improves the alignment and concentric operation of cylinder rods and pistons. The fully machined chamfered corners will better accommodate cylinder housing grooves, further improving piston and rod alignment. Lastly, the scarf-cut end gap reduces the loss of bearing support that may occur during cylinder side-loading. When combined, these features reduce the tolerance stack-up within the components of the cylinder. As a result, your cylinders will operate more consistently and be capable of operating at higher pressures and higher side loads than with standard wear-ring products. Furthermore, with this improved cylinder operation, your seals will last longer and the life of your cylinder will be extended. Powerbands™ are currently available in our most popular wear-ring dimensions, as shown here. If you do not see your size or would like more information on this innovative product, please contact your Hercules® Sales Representative.



HERCULES PART NUMBERS

PB12 - 100 - 037 - SC

Prefix Outside Diameter Height

SEAL INFORMATION

| | |
|----------------------|-----------------|
| TEMPERATURE RANGE | -40° TO +275° F |
| TENSILE STRENGTH | 20,000 PSI |
| FLEXURAL STRENGTH | 34,000 PSI |
| COMPRESSIVE STRENGTH | 20,000 PSI |

WEAR RINGS

| Part Number | A Nom. ID | B Nom. OD | C Nom. Ht | List Price |
|-----------------|--------------|--------------|--------------|------------|
| PB12-100-037-SC | 3/4 | 1 | 3/8 | \$9.52 |
| PB12-112-037-SC | 7/8 | 1-1/8 | 3/8 | 9.52 |
| PB12-125-037-SC | 1 | 1-1/4 | 3/8 | 9.72 |
| PB12-125-050-SC | 1 | 1-1/4 | 1/2 | 9.90 |
| PB12-137-050-SC | 1-1/8 | 1-3/8 | 1/2 | 10.19 |
| PB12-150-025-SC | 1-1/4 | 1-1/2 | 1/4 | 5.32 |
| PB12-150-037-SC | 1-1/4 | 1-1/2 | 3/8 | 6.81 |
| PB12-150-050-SC | 1-1/4 | 1-1/2 | 1/2 | 6.81 |
| PB12-162-037-SC | 1-3/8 | 1-5/8 | 3/8 | 10.80 |
| PB12-162-050-SC | 1-3/8 | 1-5/8 | 1/2 | 7.79 |
| PB12-175-025-SC | 1-1/2 | 1-3/4 | 1/4 | 9.06 |
| PB12-175-037-SC | 1-1/2 | 1-3/4 | 3/8 | 6.50 |
| PB12-175-050-SC | 1-1/2 | 1-3/4 | 1/2 | 6.40 |
| PB12-175-075-SC | 1-1/2 | 1-3/4 | 3/4 | 8.16 |
| PB12-175-100-SC | 1-1/2 | 1-3/4 | 1 | 10.00 |
| PB12-187-050-SC | 1-5/8 | 1-7/8 | 1/2 | 10.38 |
| PB12-200-025-SC | 1-3/4 | 2 | 1/4 | 5.53 |
| PB12-200-037-SC | 1-3/4 | 2 | 3/8 | 6.50 |
| PB12-200-050-SC | 1-3/4 | 2 | 1/2 | 6.83 |
| PB12-200-062-SC | 1-3/4 | 2 | 5/8 | 7.01 |
| PB12-200-075-SC | 1-3/4 | 2 | 3/4 | 7.30 |
| PB12-200-100-SC | 1-3/4 | 2 | 1 | 12.65 |

| Part Number | A Nom. ID | B Nom. OD | C Nom. Ht | List Price |
|-----------------|--------------|--------------|--------------|------------|
| PB12-212-050-SC | 1-7/8 | 2-1/8 | 1/2 | 9.43 |
| PB12-212-075-SC | 1-7/8 | 2-1/8 | 3/4 | 9.95 |
| PB12-225-025-SC | 2 | 2-1/4 | 1/4 | 9.43 |
| PB12-225-037-SC | 2 | 2-1/4 | 3/8 | 6.83 |
| PB12-225-050-SC | 2 | 2-1/4 | 1/2 | 6.83 |
| PB12-225-062-SC | 2 | 2-1/4 | 5/8 | 7.20 |
| PB12-225-075-SC | 2 | 2-1/4 | 3/4 | 7.07 |
| PB12-225-100-SC | 2 | 2-1/4 | 1 | 8.98 |
| PB12-237-075-SC | 2-1/8 | 2-3/8 | 3/4 | 10.49 |
| PB12-250-025-SC | 2-1/4 | 2-1/2 | 1/4 | 6.40 |
| PB12-250-031-SC | 2-1/4 | 2-1/2 | 5/16 | 9.06 |
| PB12-250-037-SC | 2-1/4 | 2-1/2 | 3/8 | 7.07 |
| PB12-250-050-SC | 2-1/4 | 2-1/2 | 1/2 | 7.14 |
| PB12-250-062-SC | 2-1/4 | 2-1/2 | 5/8 | 13.29 |
| PB12-250-075-SC | 2-1/4 | 2-1/2 | 3/4 | 8.48 |
| PB12-250-100-SC | 2-1/4 | 2-1/2 | 1 | 9.41 |
| PB12-262-075-SC | 2-3/8 | 2-5/8 | 3/4 | 10.80 |
| PB12-275-037-SC | 2-1/2 | 2-3/4 | 3/8 | 7.20 |
| PB12-275-050-SC | 2-1/2 | 2-3/4 | 1/2 | 7.20 |
| PB12-275-062-SC | 2-1/2 | 2-3/4 | 5/8 | 7.75 |
| PB12-275-075-SC | 2-1/2 | 2-3/4 | 3/4 | 8.82 |
| PB12-275-100-SC | 2-1/2 | 2-3/4 | 1 | 9.26 |

NORTH AMERICA
PHONE 1-800-777-5617
FAX 1-800-759-6391

SALES OFFICE HOURS
8 A.M. TO 7:30 P.M. EASTERN TIME
www.HerculesUS.com

WORLDWIDE
PHONE 1-727-796-1300
FAX 1-727-797-8849

STYLE PB HERCULES® POWERBANDS™ 1/8" THICK

| Part Number | A Nom. ID | B Nom. OD | C Nom. Ht | List Price |
|-----------------|-----------|-----------|-----------|------------|
| PB12-275-150-SC | 2-1/2 | 2-3/4 | 1-1/2 | 12.12 |
| PB12-287-050-SC | 2-5/8 | 2-7/8 | 1/2 | 8.84 |
| PB12-300-025-SC | 2-3/4 | 3 | 1/4 | 6.60 |
| PB12-300-037-SC | 2-3/4 | 3 | 3/8 | 7.31 |
| PB12-300-050-SC | 2-3/4 | 3 | 1/2 | 7.31 |
| PB12-300-062-SC | 2-3/4 | 3 | 5/8 | 7.31 |
| PB12-300-075-SC | 2-3/4 | 3 | 3/4 | 8.38 |
| PB12-300-100-SC | 2-3/4 | 3 | 1 | 8.16 |
| PB12-325-025-SC | 3 | 3-1/4 | 1/4 | 7.07 |
| PB12-325-037-SC | 3 | 3-1/4 | 3/8 | 7.49 |
| PB12-325-050-SC | 3 | 3-1/4 | 1/2 | 7.49 |
| PB12-325-062-SC | 3 | 3-1/4 | 5/8 | 8.21 |
| PB12-325-075-SC | 3 | 3-1/4 | 3/4 | 8.38 |
| PB12-325-100-SC | 3 | 3-1/4 | 1 | 8.98 |
| PB12-325-125-SC | 3 | 3-1/4 | 1-1/4 | 15.68 |
| PB12-325-150-SC | 3 | 3-1/4 | 1-1/2 | 16.28 |
| PB12-350-025-SC | 3-1/4 | 3-1/2 | 1/4 | 6.84 |
| PB12-350-037-SC | 3-1/4 | 3-1/2 | 3/8 | 7.53 |
| PB12-350-050-SC | 3-1/4 | 3-1/2 | 1/2 | 7.53 |
| PB12-350-062-SC | 3-1/4 | 3-1/2 | 5/8 | 8.38 |
| PB12-350-075-SC | 3-1/4 | 3-1/2 | 3/4 | 8.42 |
| PB12-350-100-SC | 3-1/4 | 3-1/2 | 1 | 9.17 |
| PB12-350-112-SC | 3-1/4 | 3-1/2 | 1-1/8 | 16.84 |
| PB12-350-150-SC | 3-1/4 | 3-1/2 | 1-1/2 | 19.72 |
| PB12-362-075-SC | 3-3/8 | 3-5/8 | 3/4 | 16.56 |
| PB12-375-037-SC | 3-1/2 | 3-3/4 | 3/8 | 9.56 |
| PB12-375-050-SC | 3-1/2 | 3-3/4 | 1/2 | 7.68 |
| PB12-375-062-SC | 3-1/2 | 3-3/4 | 5/8 | 10.44 |
| PB12-375-075-SC | 3-1/2 | 3-3/4 | 3/4 | 8.82 |
| PB12-375-100-SC | 3-1/2 | 3-3/4 | 1 | 9.21 |
| PB12-375-125-SC | 3-1/2 | 3-3/4 | 1-1/4 | 17.81 |
| PB12-387-025-SC | 3-5/8 | 3-7/8 | 1/4 | 8.00 |
| PB12-387-100-SC | 3-5/8 | 3-7/8 | 1 | 15.88 |
| PB12-400-025-SC | 3-3/4 | 4 | 1/4 | 11.35 |
| PB12-400-031-SC | 3-3/4 | 4 | 5/16 | 11.44 |
| PB12-400-037-SC | 3-3/4 | 4 | 3/8 | 9.56 |
| PB12-400-050-SC | 3-3/4 | 4 | 1/2 | 7.68 |
| PB12-400-062-SC | 3-3/4 | 4 | 5/8 | 8.98 |
| PB12-400-075-SC | 3-3/4 | 4 | 3/4 | 8.42 |
| PB12-400-087-SC | 3-3/4 | 4 | 7/8 | 15.88 |
| PB12-400-100-SC | 3-3/4 | 4 | 1 | 9.87 |
| PB12-400-125-SC | 3-3/4 | 4 | 1-1/4 | 16.84 |
| PB12-412-050-SC | 3-7/8 | 4-1/8 | 1/2 | 11.88 |
| PB12-425-025-SC | 4 | 4-1/4 | 1/4 | 7.80 |
| PB12-425-037-SC | 4 | 4-1/4 | 3/8 | 9.87 |
| PB12-425-050-SC | 4 | 4-1/4 | 1/2 | 7.92 |
| PB12-425-062-SC | 4 | 4-1/4 | 5/8 | 8.98 |
| PB12-425-075-SC | 4 | 4-1/4 | 3/4 | 9.30 |
| PB12-425-100-SC | 4 | 4-1/4 | 1 | 12.06 |
| PB12-425-125-SC | 4 | 4-1/4 | 1-1/4 | 17.81 |
| PB12-425-150-SC | 4 | 4-1/4 | 1-1/2 | 18.75 |
| PB12-450-037-SC | 4-1/4 | 4-1/2 | 3/8 | 12.06 |
| PB12-450-050-SC | 4-1/4 | 4-1/2 | 1/2 | 8.06 |
| PB12-450-062-SC | 4-1/4 | 4-1/2 | 5/8 | 8.98 |
| PB12-450-075-SC | 4-1/4 | 4-1/2 | 3/4 | 8.78 |
| PB12-450-100-SC | 4-1/4 | 4-1/2 | 1 | 12.06 |
| PB12-450-150-SC | 4-1/4 | 4-1/2 | 1-1/2 | 19.16 |
| PB12-475-025-SC | 4-1/2 | 4-3/4 | 1/4 | 25.72 |

| Part Number | A Nom. ID | B Nom. OD | C Nom. Ht | List Price |
|-----------------|-----------|-----------|-----------|------------|
| PB12-475-050-SC | 4-1/2 | 4-3/4 | 1/2 | 8.06 |
| PB12-475-062-SC | 4-1/2 | 4-3/4 | 5/8 | 8.82 |
| PB12-475-075-SC | 4-1/2 | 4-3/4 | 3/4 | 8.98 |
| PB12-475-100-SC | 4-1/2 | 4-3/4 | 1 | 12.14 |
| PB12-475-150-SC | 4-1/2 | 4-3/4 | 1-1/2 | 20.11 |
| PB12-500-037-SC | 4-3/4 | 5 | 3/8 | 10.29 |
| PB12-500-050-SC | 4-3/4 | 5 | 1/2 | 8.06 |
| PB12-500-062-SC | 4-3/4 | 5 | 5/8 | 8.98 |
| PB12-500-075-SC | 4-3/4 | 5 | 3/4 | 8.98 |
| PB12-500-100-SC | 4-3/4 | 5 | 1 | 12.14 |
| PB12-525-050-SC | 5 | 5-1/4 | 1/2 | 8.06 |
| PB12-525-062-SC | 5 | 5-1/4 | 5/8 | 9.47 |
| PB12-525-075-SC | 5 | 5-1/4 | 3/4 | 9.19 |
| PB12-525-100-SC | 5 | 5-1/4 | 1 | 13.08 |
| PB12-550-037-SC | 5-1/4 | 5-1/2 | 3/8 | 13.29 |
| PB12-550-050-SC | 5-1/4 | 5-1/2 | 1/2 | 8.06 |
| PB12-550-062-SC | 5-1/4 | 5-1/2 | 5/8 | 9.55 |
| PB12-550-075-SC | 5-1/4 | 5-1/2 | 3/4 | 9.19 |
| PB12-550-100-SC | 5-1/4 | 5-1/2 | 1 | 12.29 |
| PB12-550-125-SC | 5-1/4 | 5-1/2 | 1-1/4 | 17.63 |
| PB12-575-037-BC | 5-1/2 | 5-3/4 | 3/8 | 32.11 |
| PB12-575-050-SC | 5-1/2 | 5-3/4 | 1/2 | 13.48 |
| PB12-575-062-SC | 5-1/2 | 5-3/4 | 5/8 | 14.35 |
| PB12-575-075-SC | 5-1/2 | 5-3/4 | 3/4 | 14.83 |
| PB12-575-100-SC | 5-1/2 | 5-3/4 | 1 | 19.16 |
| PB12-600-037-SC | 5-3/4 | 6 | 3/8 | 11.65 |
| PB12-600-050-SC | 5-3/4 | 6 | 1/2 | 9.21 |
| PB12-600-062-SC | 5-3/4 | 6 | 5/8 | 9.84 |
| PB12-600-075-SC | 5-3/4 | 6 | 3/4 | 9.55 |
| PB12-600-100-SC | 5-3/4 | 6 | 1 | 12.47 |
| PB12-600-125-SC | 5-3/4 | 6 | 1-1/4 | 18.58 |
| PB12-600-150-SC | 5-3/4 | 6 | 1-1/2 | 19.16 |
| PB12-625-050-SC | 6 | 6-1/4 | 1/2 | 14.23 |
| PB12-625-062-SC | 6 | 6-1/4 | 5/8 | 14.83 |
| PB12-625-075-SC | 6 | 6-1/4 | 3/4 | 15.78 |
| PB12-625-100-SC | 6 | 6-1/4 | 1 | 12.67 |
| PB12-625-150-SC | 6 | 6-1/4 | 1-1/2 | 20.11 |
| PB12-650-050-SC | 6-1/4 | 6-1/2 | 1/2 | 10.59 |
| PB12-650-062-SC | 6-1/4 | 6-1/2 | 5/8 | 10.59 |
| PB12-650-075-SC | 6-1/4 | 6-1/2 | 3/4 | 13.28 |
| PB12-650-100-SC | 6-1/4 | 6-1/2 | 1 | 13.48 |
| PB12-650-150-SC | 6-1/4 | 6-1/2 | 1-1/2 | 20.98 |
| PB12-675-100-SC | 6-1/2 | 6-3/4 | 1 | 21.76 |
| PB12-700-050-SC | 6-3/4 | 7 | 1/2 | 10.59 |
| PB12-700-062-SC | 6-3/4 | 7 | 5/8 | 10.59 |
| PB12-700-075-SC | 6-3/4 | 7 | 3/4 | 12.14 |
| PB12-700-100-SC | 6-3/4 | 7 | 1 | 18.08 |
| PB12-700-150-SC | 6-3/4 | 7 | 1-1/2 | 30.62 |
| PB12-725-100-SC | 7 | 7-1/4 | 1 | 27.64 |
| PB12-750-050-SC | 7-1/4 | 7-1/2 | 1/2 | 10.59 |
| PB12-750-062-SC | 7-1/4 | 7-1/2 | 5/8 | 12.37 |
| PB12-750-075-SC | 7-1/4 | 7-1/2 | 3/4 | 12.37 |
| PB12-750-100-SC | 7-1/4 | 7-1/2 | 1 | 27.87 |
| PB12-800-050-SC | 7-3/4 | 8 | 1/2 | 11.48 |
| PB12-800-062-SC | 7-3/4 | 8 | 5/8 | 23.67 |
| PB12-800-075-SC | 7-3/4 | 8 | 3/4 | 16.28 |
| PB12-800-100-SC | 7-3/4 | 8 | 1 | 27.87 |
| PB12-825-100-SC | 8 | 8-1/4 | 1 | 35.42 |

WEAR RINGS

Seal color may vary. Special order sizes are available. Please call your regional sales team for assistance.

FORMERLY LISTED SEALS ARE AVAILABLE ONLINE AT WWW.HERCULESUS.COM
OR BY CONTACTING YOUR REGIONAL HERCULES SALES TEAM.



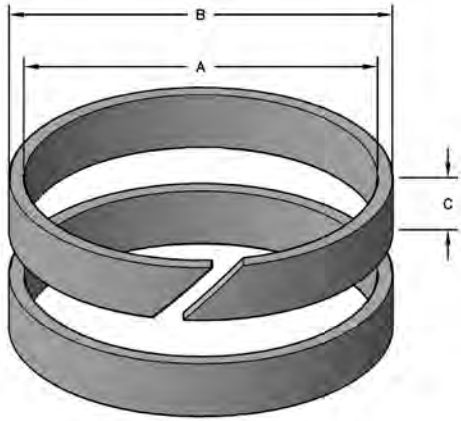
STYLE PB HERCULES® POWERBANDS™ 1/8" THICK

| Part Number | A Nom. ID | B Nom. OD | C Nom. Ht | List Price |
|------------------|--------------|--------------|--------------|---------------|
| PB12-850-050-SC | 8-1/4 | 8-1/2 | 1/2 | 28.51 |
| PB12-850-100-SC | 8-1/4 | 8-1/2 | 1 | 37.26 |
| PB12-875-100-SC | 8-1/2 | 8-3/4 | 1 | 38.90 |
| PB12-900-075-SC | 8-3/4 | 9 | 3/4 | 37.93 |
| PB12-900-100-SC | 8-3/4 | 9 | 1 | 38.12 |
| PB12-925-100-SC | 9 | 9-1/4 | 1 | 60.26 |
| PB12-950-100-SC | 9-1/4 | 9-1/2 | 1 | 62.18 |
| PB12-1000-050-SC | 9-3/4 | 10 | 1/2 | 65.07 |
| PB12-1000-075-SC | 9-3/4 | 10 | 3/4 | 67.02 |
| PB12-1000-100-SC | 9-3/4 | 10 | 1 | 81.14 |
| PB12-1050-100-SC | 10-1/4 | 10-1/2 | 1 | 84.33 |
| PB12-1100-100-SC | 10-3/4 | 11 | 1 | 92.61 |
| PB12-1200-100-SC | 11-3/4 | 12 | 1 | 105.68 |

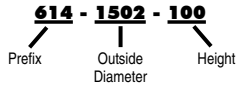
WEAR RINGS

STYLE 614 NYLON ROD BEARINGS

Style 614 rod bearings are available in nylon material. These products are used extensively in hydraulic cylinders due to their low rate of wear and non-scoring properties. Excellent for those heavy duty applications that require a sturdy bearing.



HERCULES PART NUMBERS



| SEAL INFORMATION | |
|----------------------|-----------------|
| TEMPERATURE RANGE | -40° TO +275° F |
| TENSILE STRENGTH | 25,000 PSI |
| COMPRESSIVE STRENGTH | 26,000 PSI |

WEAR RINGS

| Part Number | A Nom. ID | B Nom. OD | C Nom. Ht | Nom. Cross Section | List Price |
|--------------|-----------|-----------|-----------|--------------------|------------|
| 614-1253-100 | 1-1/4 | 1-1/2 | 1 | 1/8 | \$12.95 |
| 614-1502-100 | 1-1/2 | 1-5/8 | .975 | 1/16 | 5.78 |
| 614-1254-084 | 1-1/4 | 1-3/4 | 27/32 | 1/4 | 13.62 |
| 614-1254-100 | 1-1/4 | 1-3/4 | 1 | 1/4 | 16.52 |
| 614-1503-100 | 1-1/2 | 1-3/4 | 1 | 1/8 | 5.90 |
| 614-1255-150 | 1-1/4 | 1-7/8 | 1-1/2 | 5/16 | 20.70 |
| 614-1752-100 | 1-3/4 | 1-7/8 | .975 | 1/16 | 5.92 |
| 614-1504-058 | 1-1/2 | 2 | .58 | 1/4 | 16.78 |
| 614-1504-075 | 1-1/2 | 2 | 3/4 | 1/4 | 16.40 |
| 614-1753-100 | 1-3/4 | 2 | 1 | 1/8 | 6.25 |
| 614-1505-150 | 1-1/2 | 2-1/8 | 1-1/2 | 5/16 | 31.63 |
| 614-2002-100 | 2 | 2-1/8 | .975 | 1/16 | 6.33 |
| 614-1754-040 | 1-3/4 | 2-1/4 | 7/16 | 1/4 | 6.56 |
| 614-1754-058 | 1-3/4 | 2-1/4 | .58 | 1/4 | 6.73 |
| 614-1754-075 | 1-3/4 | 2-1/4 | 3/4 | 1/4 | 9.14 |
| 614-1754-087 | 1-3/4 | 2-1/4 | 7/8 | 1/4 | 34.30 |
| 614-2003-099 | 2 | 2-1/4 | 1 | 1/8 | 6.45 |
| 614-2252-150 | 2-1/4 | 2-3/8 | 1.475 | 1/16 | 12.35 |
| 614-2004-050 | 2 | 2-1/2 | 1/2 | 1/4 | 10.06 |
| 614-2004-058 | 2 | 2-1/2 | .58 | 1/4 | 7.45 |
| 614-2004-070 | 2 | 2-1/2 | .7 | 1/4 | 64.26 |
| 614-2004-075 | 2 | 2-1/2 | 3/4 | 1/4 | 9.92 |
| 614-2004-100 | 2 | 2-1/2 | 1 | 1/4 | 16.03 |
| 614-2253-125 | 2-1/4 | 2-1/2 | 1-1/4 | 1/8 | 8.18 |
| 614-2253-155 | 2-1/4 | 2-1/2 | 1-35/64 | 1/8 | 9.77 |
| 614-2253-225 | 2-1/4 | 2-1/2 | 2-1/4 | 1/8 | 11.63 |
| 614-2502-150 | 2-1/2 | 2-5/8 | 1.475 | 1/16 | 11.00 |
| 614-2254-058 | 2-1/4 | 2-3/4 | .58 | 1/4 | 12.25 |
| 614-2254-075 | 2-1/4 | 2-3/4 | 3/4 | 1/4 | 12.25 |
| 614-2503-125 | 2-1/2 | 2-3/4 | 1-1/4 | 1/8 | 7.81 |
| 614-2503-155 | 2-1/2 | 2-3/4 | 1-35/64 | 1/8 | 10.89 |
| 614-2504-025 | 2-1/2 | 3 | 1/4 | 1/4 | 8.49 |
| 614-2504-040 | 2-1/2 | 3 | 13/32 | 1/4 | 16.13 |
| 614-2504-058 | 2-1/2 | 3 | .58 | 1/4 | 6.84 |
| 614-2504-075 | 2-1/2 | 3 | 3/4 | 1/4 | 10.35 |
| 614-2504-100 | 2-1/2 | 3 | 1 | 1/4 | 32.92 |
| 614-2753-155 | 2-3/4 | 3 | 1-35/64 | 1/8 | 18.15 |

| Part Number | A Nom. ID | B Nom. OD | C Nom. Ht | Nom. Cross Section | List Price |
|--------------|-----------|-----------|-----------|--------------------|------------|
| 614-3002-150 | 3 | 3.12 | 1.475 | .06 | 13.62 |
| 614-2754-100 | 2-3/4 | 3-1/4 | 1 | 1/4 | 18.56 |
| 614-2755-100 | 2-3/4 | 3-3/8 | 1 | 5/16 | 17.60 |
| 614-3004-046 | 3 | 3-1/2 | 15/32 | 1/4 | 7.71 |
| 614-3004-050 | 3 | 3-1/2 | 1/2 | 1/4 | 7.92 |
| 614-3004-075 | 3 | 3-1/2 | 3/4 | 1/4 | 13.14 |
| 614-3004-100 | 3 | 3-1/2 | 1 | 1/4 | 16.42 |
| 614-3004-150 | 3 | 3-1/2 | 1-1/2 | 1/4 | 21.27 |
| 614-3123-075 | 3-1/8 | 3-1/2 | 3/4 | 3/16 | 17.31 |
| 614-3123-084 | 3-1/8 | 3-1/2 | .845 | 3/16 | 16.34 |
| 614-3253-155 | 3-1/4 | 3-1/2 | 1-35/64 | 1/8 | 11.27 |
| 614-3253-037 | 3-1/4 | 3-5/8 | 3/8 | 3/16 | 16.95 |
| 614-3253-100 | 3-1/4 | 3-5/8 | 1 | 3/16 | 40.88 |
| 614-3504-025 | 3-1/2 | 4 | 1/4 | 1/4 | 6.15 |
| 614-3504-046 | 3-1/2 | 4 | 15/32 | 1/4 | 7.12 |
| 614-3504-100 | 3-1/2 | 4 | 1 | 1/4 | 49.93 |
| 614-3754-075 | 3-3/4 | 4-1/4 | 3/4 | 1/4 | 52.30 |
| 614-3754-100 | 3-3/4 | 4-1/4 | 1 | 1/4 | 20.83 |
| 614-3755-100 | 3-3/4 | 4-3/8 | 1 | 5/16 | 17.63 |
| 614-4004-025 | 4 | 4-1/2 | 1/4 | 1/4 | 6.25 |
| 614-4004-037 | 4 | 4-1/2 | 3/8 | 1/4 | 29.35 |
| 614-4004-075 | 4 | 4-1/2 | 3/4 | 1/4 | 13.14 |
| 614-4004-084 | 4 | 4-1/2 | .845 | 1/4 | 19.19 |
| 614-4004-093 | 4 | 4-1/2 | 15/16 | 1/4 | 29.21 |
| 614-4004-100 | 4 | 4-1/2 | 1 | 1/4 | 17.66 |
| 614-4004-150 | 4 | 4-1/2 | 1-1/2 | 1/4 | 36.19 |
| 614-4005-100 | 4 | 4-5/8 | 1 | 5/16 | 49.07 |
| 614-4504-025 | 4-1/2 | 5 | 1/4 | 1/4 | 8.68 |
| 614-4754-100 | 4-3/4 | 5-1/4 | 1 | 1/4 | 21.31 |
| 614-4754-200 | 4-3/4 | 5-1/4 | 2 | 1/4 | 45.33 |
| 614-4755-100 | 4-3/4 | 5-3/8 | 1 | 5/16 | 27.03 |
| 614-5004-075 | 5 | 5-1/2 | 3/4 | 1/4 | 13.85 |
| 614-5004-084 | 5 | 5-1/2 | .845 | 1/4 | 23.99 |
| 614-5004-093 | 5 | 5-1/2 | 15/16 | 1/4 | 30.19 |
| 614-5004-100 | 5 | 5-1/2 | 1 | 1/4 | 21.83 |
| 614-5755-100 | 5-3/4 | 6-3/8 | 1 | 5/16 | 31.09 |
| 614-6004-037 | 6 | 6-1/2 | 3/8 | 1/4 | 11.53 |

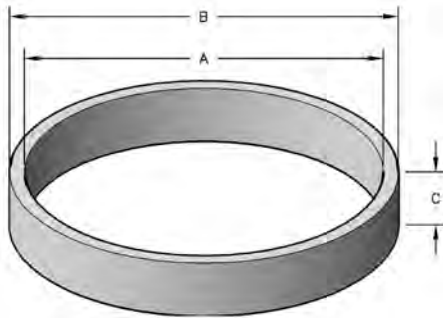
FORMERLY LISTED SEALS ARE AVAILABLE ONLINE AT WWW.HERCULESUS.COM
 OR BY CONTACTING YOUR REGIONAL HERCULES SALES TEAM.



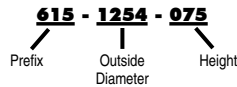
STYLE 614 NYLON ROD BEARINGS

| Part Number | A Nom. ID | B Nom. OD | C Nom. Ht | Nom. Cross Section | List Price |
|--------------|--------------|--------------|--------------|--------------------|------------|
| 614-6004-075 | 6 | 6-1/2 | 3/4 | 1/4 | 16.37 |
| 614-6004-084 | 6 | 6-1/2 | .845 | 1/4 | 21.31 |
| 614-6004-093 | 6 | 6-1/2 | 15/16 | 1/4 | 31.73 |
| 614-6004-100 | 6 | 6-1/2 | 1 | 1/4 | 23.03 |
| 614-7004-075 | 7 | 7-1/2 | 3/4 | 1/4 | 17.82 |
| 614-8004-075 | 8 | 8-1/2 | 3/4 | 1/4 | 21.59 |
| 614-8256-075 | 8-1/4 | 9 | 3/4 | 3/8 | 40.90 |
| 614-9006-075 | 9 | 9-3/4 | 3/4 | 3/8 | 75.93 |
| 614-9375-100 | 9-3/8 | 10 | 1 | 5/16 | 106.96 |

STYLE 615 PHENOLIC BEARINGS



HERCULES PART NUMBERS



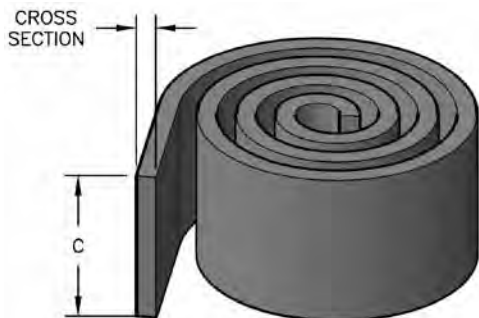
SEAL INFORMATION

| | |
|----------------------|-----------------|
| TEMPERATURE RANGE | -40° TO +250° F |
| TENSILE STRENGTH | 10,600 PSI |
| COMPRESSIVE STRENGTH | 16,000 PSI |
| SPEED | 3 FT/SEC |

| Part Number | A Nom. ID | B Nom. OD | C Nom. Ht | List Price |
|---------------|--------------|--------------|--------------|------------|
| 615-1254-075 | 1-1/4 | 1-3/4 | 3/4 | \$14.15 |
| 615-2253-100 | 2-1/4 | 2-1/2 | 1 | 11.29 |
| 615-2504-150 | 2-1/2 | 2-3/4 | 1-1/2 | 20.70 |
| 615-2753-138 | 2-3/4 | 3 | 1.385 | 33.54 |
| 615-3753-175 | 3-3/4 | 4 | 1.74 | 62.28 |
| 615-10533-700 | 10.28 | 10.53 | 7 | 189.20 |
| 615-11753-699 | 11-1/2 | 11-3/4 | 7 | 219.60 |

FLEXIBLE GUIDE BEARINGS - FILLED PTFE

Flexible Guide Bearings are strips of filled PTFE. The material can be cut to any length to fit any rod or bore size without losing its concentricity. The filler material is shown below. **NOTE:** Glass filled material has a thickness tolerance of $\pm .010$ ". Bronze filled tolerance is $\pm .0025$ ".



HERCULES PART NUMBERS

606T - 025
 Prefix Height

B= BRONZE FILLED PTFE

| SEAL INFORMATION | |
|----------------------|---|
| MATERIAL | GLASS FILLED 60% BRONZE FILLED PTFE |
| TEMPERATURE RANGE | -50° TO +400° F |
| TENSILE STRENGTH | 2,100 PSI |
| COMPRESSIVE STRENGTH | 1,500 PSI |
| SPEED | 12 FT/SEC |

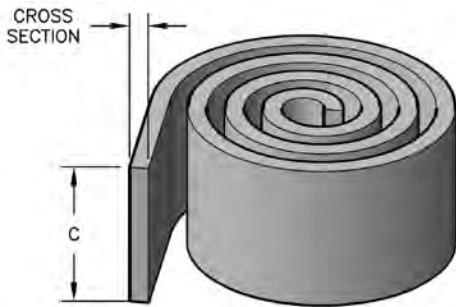
WEAR RINGS

| Part Number | C Nom. Ht | Nom. Cross Section | List Price |
|-------------|--------------|--------------------|------------|
| 606T-025 | 1/4 | 1/16 | \$19.37 |
| 612T-025B | 1/4 | 1/8 | 20.32 |
| 606T-037 | 3/8 | 1/16 | 20.66 |
| 612T-037B | 3/8 | 1/8 | 14.14 |
| 606T-050 | 1/2 | 1/16 | 21.82 |
| 612T-050 | 1/2 | 1/8 | 15.14 |
| 612T-050B | 1/2 | 1/8 | 33.92 |
| 606T-062 | 5/8 | 1/16 | 16.81 |
| 612T-062 | 5/8 | 1/8 | 18.96 |
| 612T-062B | 5/8 | 1/8 | 39.46 |
| 606T-075 | 3/4 | 1/16 | 24.12 |
| 609T-075 | 3/4 | 3/32 | 22.33 |
| 612T-075 | 3/4 | 1/8 | 37.82 |
| 612T-075B | 3/4 | 1/8 | 43.34 |
| 606T-100 | 1 | 1/16 | 27.46 |
| 609T-100 | 1 | 3/32 | 24.08 |
| 612T-100 | 1 | 1/8 | 38.02 |
| 612T-100B | 1 | 1/8 | 53.33 |
| 612T-112 | 1-1/8 | 1/8 | 42.41 |
| 609T-125 | 1-1/4 | 3/32 | 38.27 |
| 612T-150 | 1-1/2 | 1/8 | 50.86 |



FLEXIBLE GUIDE BEARINGS - POLYESTER RESIN

Manufactured using woven fabric-reinforced polyester resin, this material produces a dimensionally accurate rectangular strip which can be cut to any length. Low coefficient of friction and high compressive strength makes it an ideal bearing material. A common radial thickness of 1/8 in. allows the stacking of various widths. Size reference is marked every 6 in. on the strip. Available by the foot or rolls of 16 feet. Cutting is made easy by using Anvil type pruning shears. Wall tolerance $\pm .002$ in., radial wall thickness = 0.124 to 0.121 in. TQ = Turquoise in color. Standard 612F part numbers are gray in color.



HERCULES PART NUMBERS

612F - 037
Prefix Height

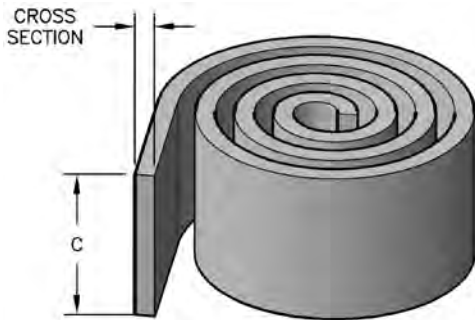
SEAL INFORMATION

| | |
|----------------------|-----------------|
| TEMPERATURE RANGE | -40° TO +250° F |
| TENSILE STRENGTH | 10,600 PSI |
| COMPRESSIVE STRENGTH | 16,000 PSI |
| SPEED | 3 FT/SEC |

| Part Number | C Nom. Ht | Nom. Cross Section | List Price |
|-------------|-----------|--------------------|------------|
| 612F-037 | 3/8 | 1/8 | \$16.16 |
| 612F-037-TQ | 3/8 | 1/8 | 16.16 |
| 612F-050 | 1/2 | 1/8 | 16.86 |
| 612F-050-TQ | 1/2 | 1/8 | 20.10 |
| 612F-062 | 5/8 | 1/8 | 21.11 |
| 612F-062-TQ | 5/8 | 1/8 | 20.10 |
| 612F-075 | 3/4 | 1/8 | 28.04 |
| 612F-075-TQ | 3/4 | 1/8 | 26.69 |
| 612F-100 | 1 | 1/8 | 28.94 |
| 612F-100-TQ | 1 | 1/8 | 30.65 |

BOXED FLEXIBLE GUIDE BEARINGS-POLYESTER RESIN

Our 612F style flexible guide bearings, with a 1/8" radial thickness, offered in a boxed quantity. The strip can be cut to any length using anvil type pruning shears. Product length is 32' per box.



HERCULES PART NUMBERS

612F - 050 - 506 - BOX
Prefix Height

SEAL INFORMATION

| | |
|----------------------|-----------------|
| TEMPERATURE RANGE | -40° TO +250° F |
| TENSILE STRENGTH | 10,600 PSI |
| COMPRESSIVE STRENGTH | 16,000 PSI |
| SPEED | 3 FT/SEC |

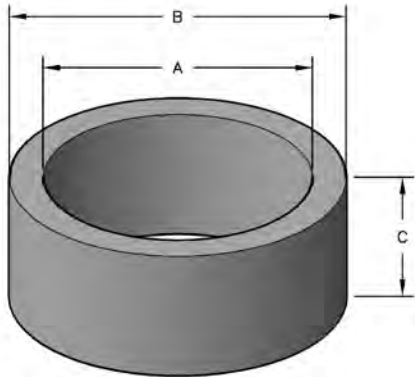
| Part Number | C Nom. Ht | Nom. Cross Section | List Price |
|------------------|-----------|--------------------|------------|
| 606F-037-506-BOX | 3/8 | 1/16 | \$467.89 |
| 612F-050-506-BOX | 1/2 | 1/8 | 448.20 |
| 612F-075-506-BOX | 3/4 | 1/8 | 516.08 |
| 612F-100-506-BOX | 1 | 1/8 | 593.52 |
| 612F-037-506-BOX | 3/8 | 1/8 | 349.05 |

NORTH AMERICA
PHONE 1-800-777-5617
FAX 1-800-759-6391

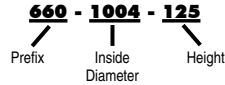
SALES OFFICE HOURS
8 A.M. TO 7:30 P.M. EASTERN TIME
www.HerculesUS.com

WORLDWIDE
PHONE 1-727-796-1300
FAX 1-727-797-8849

STYLE 660 BRONZE ROD BEARINGS



HERCULES PART NUMBERS

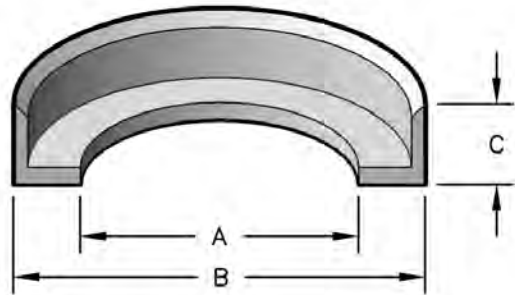


| SEAL INFORMATION | |
|------------------|------------|
| TENSILE STRENGTH | 35,000 PSI |
| YIELD STRENGTH | 18,000 PSI |

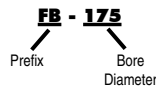
| Part Number | A Nom. ID | B Nom. OD | C Nom. Ht | Nom. Cross Section | List Price |
|-----------------|-----------|-----------|-----------|--------------------|------------|
| 660-1004-125 | 1 | 1-1/4 | 1-1/4 | 1/8 | \$55.42 |
| 660-1008-125 | 1 | 1-1/2 | 1-1/4 | 1/4 | 54.22 |
| 660-1754-100 | 1-3/4 | 2-1/4 | 1 | 1/4 | 106.17 |
| 660-4001-200-SC | 4 | 4.2 | 2 | .1 | 175.04 |
| 660-6001-300-SC | 6 | 6.2 | 3 | .1 | 226.72 |

STYLE FB FOLLOWER BEARINGS

These parts are used as companion pieces for Cascade vee sets, primarily as bearings.



HERCULES PART NUMBERS



| SEAL INFORMATION | |
|-------------------|-----------------|
| MATERIAL | 60D POLYESTER |
| TEMPERATURE RANGE | -65° TO +220° F |
| SPEED | 3 FT/SEC |

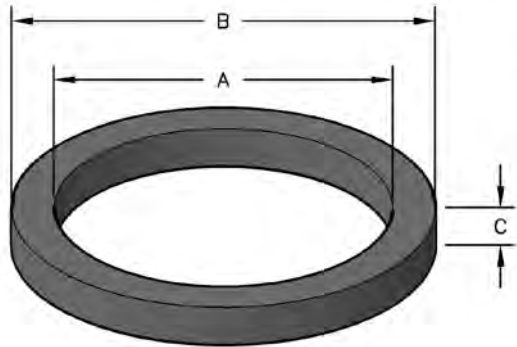
| Part Number | A Nom. ID | B Nom. OD | J BORE DIAMETER | C HEIGHT | List Price |
|-------------|-----------|-----------|-----------------|----------|------------|
| FB-175 | 1-1/4 | 1-3/4 | 1.750 | .290 | \$3.63 |
| FB-200 | 1-1/2 | 2 | 2.000 | .370 | 19.08 |
| FB-225 | 1-3/4 | 2-1/4 | 2.250 | .350 | 4.51 |
| FB-250 | 2 | 2-1/2 | 2.500 | .370 | 4.87 |
| FB-300 | 2-1/2 | 3 | 3.000 | .430 | 5.73 |
| FB-325 | 2-3/4 | 3-1/4 | 3.250 | .430 | 6.10 |
| FB-350 | 3 | 3-1/2 | 3.500 | .437 | 6.42 |
| FB-400 | 3-1/4 | 4 | 4.000 | .615 | 7.88 |
| FB-425 | 3-1/2 | 4-1/4 | 4.250 | .625 | 8.83 |
| FB-475 | 4 | 4-3/4 | 4.750 | .625 | 11.51 |
| FB-550 | 5 | 5-1/2 | 5.500 | .440 | 14.97 |
| FB-650 | 6 | 6-1/2 | 6.500 | .440 | 17.42 |

WEAR RINGS



STYLE MB MODULAR BACK-UPS

These back-up rings, made from urethane or nylon, are commonly used as spacers for u-seals.



HERCULES PART NUMBERS

MB12 - 0.75 - 12 - S
 Prefix Inside Diameter Height

SEAL INFORMATION

| | |
|-------------------|-------------------------|
| MATERIAL | URETHANE, 70 SHORE D |
| TEMPERATURE RANGE | -40° TO +250° F |
| SPEED | 3 FT/SEC |

N = Nylon
 S = Split
 P = Hard Hytrel

WEAR RINGS

| Part Number | A Nom. ID | B Nom. OD | C Nom. Ht | List Price |
|----------------|-----------|-----------|-----------|------------|
| MB12-0.75-12-S | 3/4 | 1 | 1/8 | \$35.72 |
| MB25-1.25-25 | 1-1/4 | 1-3/4 | 1/4 | 9.30 |
| MB25-1.37-25 | 1-3/8 | 1-7/8 | 1/4 | 10.17 |
| MB25-1.50-25 | 1-1/2 | 2 | 1/4 | 9.09 |
| MB25-1.75-25 | 1-3/4 | 2-1/4 | 1/4 | 11.19 |
| MB31-1.75-31 | 1-3/4 | 2-3/8 | 5/16 | 10.45 |
| MB37-1.75-50 | 1-3/4 | 2-1/2 | 1/2 | 19.76 |
| MB37-1.75-50N | 1-3/4 | 2-1/2 | 1/2 | 8.41 |
| MB37-1.75-56 | 1-3/4 | 2-1/2 | 9/16 | 19.76 |
| MB31-1.87-31 | 1-7/8 | 2-1/2 | 5/16 | 12.49 |
| MB18-2.00-18 | 2 | 2-3/8 | 3/16 | 9.30 |
| MB25-2.00-25 | 2 | 2-1/2 | 1/4 | 12.13 |
| MB31-2.00-31 | 2 | 2-5/8 | 5/16 | 11.68 |
| MB37-2.00-25P | 2 | 2-3/4 | 1/4 | 21.50 |
| MB37-2.00-37 | 2 | 2-3/4 | 3/8 | 20.45 |
| MB31-2.12-31 | 2-1/8 | 2-3/4 | 5/16 | 12.28 |
| MB31-2.12-37 | 2-1/8 | 2-3/4 | 3/8 | 16.13 |
| MB25-2.25-25 | 2-1/4 | 2-3/4 | 1/4 | 13.51 |
| MB31-2.25-31 | 2-1/4 | 2-7/8 | 5/16 | 12.85 |
| MB31-2.37-31 | 2-3/8 | 3 | 5/16 | 16.69 |
| MB25-2.50-25 | 2-1/2 | 3 | 1/4 | 14.80 |
| MB31-2.50-31 | 2-1/2 | 3-1/8 | 5/16 | 18.41 |
| MB37-2.50-25P | 2-1/2 | 3-1/4 | 1/4 | 31.57 |
| MB37-2.62-50 | 2-5/8 | 3-3/8 | 1/2 | 28.54 |
| MB37-2.62-50N | 2-5/8 | 3-3/8 | 1/2 | 16.73 |
| MB37-2.62-57 | 2-5/8 | 3-3/8 | .575 | 28.54 |
| MB37-2.75-25 | 2-3/4 | 3-1/2 | 1/4 | 21.03 |
| MB25-3.00-25 | 3 | 3-1/2 | 1/4 | 15.00 |
| MB37-3.00-37 | 3 | 3-3/4 | 3/8 | 24.53 |
| MB50-3.00-50 | 3 | 4 | 1/2 | 44.14 |
| MB37-3.12-37 | 3-1/8 | 3-7/8 | 3/8 | 28.54 |
| MB25-3.25-25 | 3-1/4 | 3-3/4 | 1/4 | 15.85 |
| MB25-3.50-25 | 3-1/2 | 4 | 1/4 | 15.85 |
| MB37-3.50-25 | 3-1/2 | 4-1/4 | 1/4 | 30.30 |
| MB37-3.50-37 | 3-1/2 | 4-1/4 | 3/8 | 35.13 |
| MB37-3.50-44P | 3-1/2 | 4-1/4 | 7/16 | 65.65 |
| MB37-3.62-50N | 3-5/8 | 4-3/8 | 1/2 | 17.35 |
| MB37-3.62-56 | 3-5/8 | 4-3/8 | 9/16 | 37.88 |
| MB43-3.87-25 | 3-7/8 | 4-3/4 | 1/4 | 16.06 |

| Part Number | A Nom. ID | B Nom. OD | C Nom. Ht | List Price |
|----------------|-----------|-----------|-----------|------------|
| MB25-4.00-25 | 4 | 4-1/2 | 1/4 | 21.14 |
| MB25-4.00-43 | 4 | 4-1/2 | 7/16 | 21.64 |
| MB37-4.00-37 | 4 | 4-3/4 | 3/8 | 41.82 |
| MB37-4.25-37 | 4-1/4 | 5 | 3/8 | 42.71 |
| MB25-4.50-25 | 4-1/2 | 5 | 1/4 | 24.30 |
| MB31-4.50-31 | 4-1/2 | 5-1/8 | 5/16 | 28.12 |
| MB37-4.50-28N | 4-1/2 | 5-1/4 | .285 | 19.84 |
| MB37-4.50-50 | 4-1/2 | 5-1/4 | 1/2 | 45.51 |
| MB37-4.50-50N | 4-1/2 | 5-1/4 | 1/2 | 31.15 |
| MB43-4.50-62 | 4-1/2 | 5-3/8 | 5/8 | 42.46 |
| MB37-4.75-37 | 4-3/4 | 5-1/2 | 3/8 | 48.91 |
| MB37-4.75-37N | 4-3/4 | 5-1/2 | 3/8 | 42.28 |
| MB43-4.75-31 | 4-3/4 | 5-5/8 | 5/16 | 33.48 |
| MB25-5.00-25 | 5 | 5-1/2 | 1/4 | 24.61 |
| MB37-5.00-37 | 5 | 5-3/4 | 3/8 | 51.19 |
| MB37-5.25-12 | 5-1/4 | 6 | 1/8 | 49.51 |
| MB37-5.50-37 | 5-1/2 | 6-1/4 | 3/8 | 54.60 |
| MB37-5.50-43NS | 5-1/2 | 6-1/4 | 7/16 | 26.63 |
| MB25-6.00-25 | 6 | 6-1/2 | 1/4 | 34.72 |
| MB37-6.00-43NS | 6 | 6-3/4 | 7/16 | 33.15 |
| MB37-6.00-56 | 6 | 6-3/4 | 9/16 | 58.29 |
| MB25-6.50-25 | 6-1/2 | 7 | 1/4 | 7.36 |
| MB37-7.00-37 | 7 | 7-3/4 | 3/8 | 62.76 |

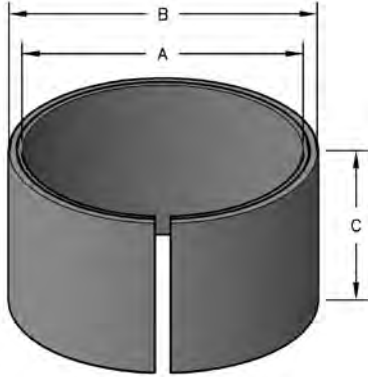
NORTH AMERICA
 PHONE 1-800-777-5617
 FAX 1-800-759-6391

SALES OFFICE HOURS
 8 A.M. TO 7:30 P.M. EASTERN TIME
 www.HerculesUS.com

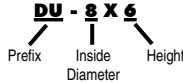
WORLDWIDE
 PHONE 1-727-796-1300
 FAX 1-727-797-8849

STYLE DU ROD BUSHINGS

With a steel body, bronze liner, and PTFE / lead overlay, these bushings possess excellent wearability and tremendous compressive strength.



HERCULES PART NUMBERS



| SEAL INFORMATION | |
|----------------------|---|
| MATERIAL | BRONZE LINING PTFE/LEAD OVERLAY STEEL BACKING |
| TEMPERATURE RANGE | -325° TO +536° F |
| SPEED | 12 FT/SEC |
| COMPRESSIVE STRENGTH | 44,000 PSI |

WEAR RINGS

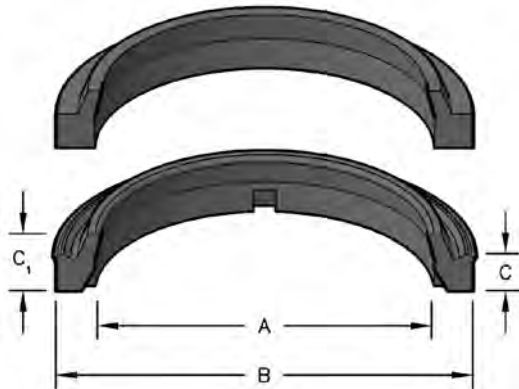
| Part Number | A Nom. ID | B Nom. OD | C Nom. Ht | Nom. Cross Section | List Price |
|-------------|-----------|-----------|-----------|--------------------|------------|
| DU-8-6 | 1/2 | 19/32 | 3/8 | 3/64 | \$0.57 |
| DU-8-8 | 1/2 | 19/32 | 1/2 | 3/64 | 0.70 |
| DU-8-10 | 1/2 | 19/32 | 5/8 | 3/64 | 0.85 |
| DU-9-12 | 9/16 | 21/32 | 3/4 | 3/64 | 1.07 |
| DU-10-10 | 5/8 | 23/32 | 5/8 | 3/64 | 0.92 |
| DU-10-14 | 5/8 | 23/32 | 7/8 | 3/64 | 1.34 |
| DU-11-14 | 11/16 | 25/32 | 7/8 | 3/64 | 1.43 |
| DU-12-12 | 3/4 | 7/8 | 3/4 | 1/16 | 1.34 |
| DU-12-16 | 3/4 | 7/8 | 1 | 1/16 | 1.75 |
| DU-16-12 | 1 | 1-1/8 | 3/4 | 1/16 | 1.91 |
| DU-16-16 | 1 | 1-1/8 | 1 | 1/16 | 2.15 |
| DU-16-24 | 1 | 1-1/8 | 1-1/2 | 1/16 | 3.09 |
| DU-18-16A | 1-1/8 | 1-9/32 | 1 | 5/64 | 2.52 |
| DU-20-12A | 1-1/4 | 1-13/32 | 3/4 | 5/64 | 1.86 |
| DU-20-18 | 1-1/4 | 1-13/32 | 1-1/8 | 5/64 | 2.72 |
| DU-20-28 | 1-1/4 | 1-13/32 | 1-3/4 | 5/64 | 4.07 |
| DU-22-16 | 1-3/8 | 1-17/32 | 1 | 5/64 | 2.62 |
| DU-22-28A | 1-3/8 | 1-17/32 | 1-3/4 | 5/64 | 4.43 |
| DU-24-12 | 1-1/2 | 1-21/32 | 3/4 | 5/64 | 2.15 |
| DU-24-16 | 1-1/2 | 1-21/32 | 1 | 5/64 | 2.96 |
| DU-24-20 | 1-1/2 | 1-21/32 | 1-1/4 | 5/64 | 3.52 |
| DU-26-24 | 1-5/8 | 1-25/32 | 1-1/2 | 5/64 | 4.44 |
| DU-28-16 | 1-3/4 | 1-15/16 | 1 | 3/32 | 3.53 |
| DU-28-28 | 1-3/4 | 1-15/16 | 1-3/4 | 3/32 | 5.85 |
| DU-30-16 | 1-7/8 | 2-1/16 | 1 | 3/32 | 3.83 |
| DU-32-12 | 2 | 2-3/16 | 3/4 | 3/32 | 3.02 |
| DU-32-20 | 2 | 2-3/16 | 1-1/4 | 3/32 | 4.94 |
| DU-32-32 | 2 | 2-3/16 | 2 | 3/32 | 7.67 |
| DU-36-24 | 2-1/4 | 2-7/16 | 1-1/2 | 3/32 | 6.51 |
| DU-36-32 | 2-1/4 | 2-7/16 | 2 | 3/32 | 8.58 |
| DU-36-40 | 2-1/4 | 2-7/16 | 2-1/2 | 3/32 | 10.61 |
| DU-40-32 | 2-1/2 | 2-11/16 | 2 | 3/32 | 9.49 |
| DU-40-40 | 2-1/2 | 2-11/16 | 2-1/2 | 3/32 | 11.72 |
| DU-40-56 | 2-1/2 | 2-11/16 | 3-1/2 | 3/32 | 16.16 |
| DU-44-40 | 2-3/4 | 2-15/16 | 2-1/2 | 3/32 | 12.80 |
| DU-44-56 | 2-3/4 | 2-15/16 | 3-1/2 | 3/32 | 17.66 |
| DU-48-16 | 3 | 3-3/16 | 1 | 3/32 | 5.72 |
| DU-48-48 | 3 | 3-3/16 | 3 | 3/32 | 16.61 |
| DU-48-60 | 3 | 3-3/16 | 3-3/4 | 3/32 | 20.97 |
| DU-56-60 | 3-1/2 | 3-11/16 | 3-3/4 | 3/32 | 24.80 |

| Part Number | A Nom. ID | B Nom. OD | C Nom. Ht | Nom. Cross Section | List Price |
|-------------|-----------|-----------|-----------|--------------------|------------|
| DU-64-80 | 4 | 4-3/16 | 5 | 3/32 | 38.54 |
| DU-80-60 | 5 | 5-3/16 | 3-3/4 | 3/32 | 35.45 |



STYLE ST URETHANE WIPER RINGS

Style ST wiper rings are precision molded from 90A durometer urethane. Flexible enough to easily snap into a groove yet tough enough to handle difficult rod wiping applications. "V" tagged wipers are constructed of fluorocarbon.

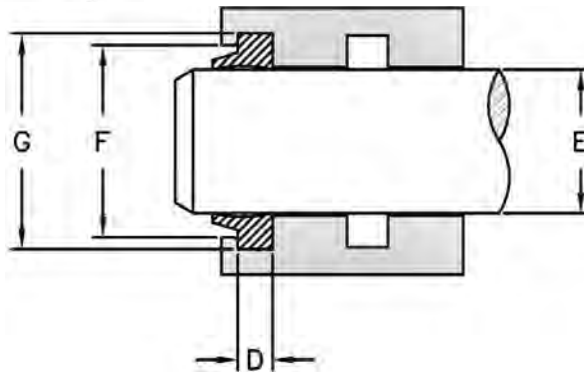


HERCULES PART NUMBERS

ST - 25
Prefix Size

SEAL INFORMATION

| | |
|-------------------|--|
| MATERIAL | URETHANE / FLUOROCARBON |
| TEMPERATURE RANGE | URETHANE: -40° TO +200° F FLUOROCARBON: -20° TO +400° F |
| SPEED | 3 FT/SEC |



WIPER RINGS

| Part Number | A Nom. ID | B Nom. OD | C Nom. Ht | C ₁ OVERALL HEIGHT | D GROOVE WIDTH | E ROD DIAMETER | F THROAT DIAMETER | G HOUSING DIAMETER | List Price |
|-------------|--------------|--------------|--------------|----------------------------------|--|---|--|--|------------|
| ST-25 | 1/4 | 1/2 | 1/8 | .210 | .124 ^{+0.04} / _{+0.00} | .250 ^{-0.005} / _{-0.019} | .410 ^{+0.010} / _{+0.00} | .497 ^{+0.006} / _{+0.00} | \$2.42 |
| ST-31 | 5/16 | 9/16 | 1/8 | .210 | .124 ^{+0.04} / _{+0.00} | .313 ^{-0.005} / _{-0.019} | .475 ^{+0.010} / _{+0.00} | .560 ^{+0.006} / _{+0.00} | 2.42 |
| ST-37 | 3/8 | 5/8 | 1/8 | .210 | .124 ^{+0.04} / _{+0.00} | .375 ^{-0.005} / _{-0.019} | .535 ^{+0.010} / _{+0.00} | .622 ^{+0.006} / _{+0.00} | 2.42 |
| ST-43 | 7/16 | 11/16 | 1/8 | .210 | .124 ^{+0.04} / _{+0.00} | .438 ^{-0.006} / _{-0.023} | .600 ^{+0.010} / _{+0.00} | .685 ^{+0.006} / _{+0.00} | 2.38 |
| ST-50 | 1/2 | 3/4 | 1/8 | .210 | .124 ^{+0.04} / _{+0.00} | .500 ^{-0.006} / _{-0.023} | .660 ^{+0.010} / _{+0.00} | .747 ^{+0.006} / _{+0.00} | 2.74 |
| ST-56 | 9/16 | 13/16 | 1/8 | .210 | .124 ^{+0.04} / _{+0.00} | .563 ^{-0.006} / _{-0.023} | .725 ^{+0.010} / _{+0.00} | .810 ^{+0.006} / _{+0.00} | 2.74 |
| ST-62 | 5/8 | 7/8 | 1/8 | .210 | .124 ^{+0.04} / _{+0.00} | .625 ^{-0.006} / _{-0.023} | .785 ^{+0.010} / _{+0.00} | .872 ^{+0.006} / _{+0.00} | 2.74 |
| ST-62V | 5/8 | 7/8 | 1/8 | .210 | .124 ^{+0.04} / _{+0.00} | .625 ^{-0.006} / _{-0.023} | .785 ^{+0.010} / _{+0.00} | .872 ^{+0.006} / _{+0.00} | 9.84 |
| ST-75 | 3/4 | 1-1/8 | 3/16 | .305 | .187 ^{+0.04} / _{+0.00} | .750 ^{-0.008} / _{-0.028} | .995 ^{+0.010} / _{+0.00} | 1.122 ^{+0.006} / _{+0.00} | 2.74 |
| ST-81 | 13/16 | 1-3/16 | 3/16 | .305 | .187 ^{+0.04} / _{+0.00} | .813 ^{-0.008} / _{-0.028} | 1.060 ^{+0.010} / _{+0.00} | 1.185 ^{+0.006} / _{+0.00} | 2.74 |
| ST-87 | 7/8 | 1-1/4 | 3/16 | .305 | .187 ^{+0.04} / _{+0.00} | .875 ^{-0.008} / _{-0.028} | 1.120 ^{+0.010} / _{+0.00} | 1.247 ^{+0.006} / _{+0.00} | 2.74 |
| ST-93 | 15/16 | 1-5/16 | 3/16 | .305 | .187 ^{+0.04} / _{+0.00} | .938 ^{-0.008} / _{-0.028} | 1.185 ^{+0.010} / _{+0.00} | 1.310 ^{+0.006} / _{+0.00} | 2.49 |
| ST-100 | 1 | 1-3/8 | 3/16 | .305 | .187 ^{+0.04} / _{+0.00} | 1.000 ^{-0.008} / _{-0.028} | 1.245 ^{+0.010} / _{+0.00} | 1.372 ^{+0.006} / _{+0.00} | 2.74 |
| ST-100V | 1 | 1-3/8 | 3/16 | .305 | .187 ^{+0.04} / _{+0.00} | 1.000 ^{-0.008} / _{-0.028} | 1.245 ^{+0.010} / _{+0.00} | 1.372 ^{+0.006} / _{+0.00} | 11.48 |

NORTH AMERICA
PHONE 1-800-777-5617
FAX 1-800-759-6391

SALES OFFICE HOURS
8 A.M. TO 7:30 P.M. EASTERN TIME
www.HerculesUS.com

WORLDWIDE
PHONE 1-727-796-1300
FAX 1-727-797-8849

STYLE ST URETHANE WIPER RINGS

WIPER RINGS

| Part Number | A Nom. ID | B Nom. OD | C Nom. Ht | C ₁ OVERALL HEIGHT | D GROOVE WIDTH | E ROD DIAMETER | F THROAT DIAMETER | G HOUSING DIAMETER | List Price |
|-------------|--------------|--------------|--------------|----------------------------------|--|---|--|--|------------|
| ST-110 | 1.075 | 1.507 | 3/16 | .305 | .187 ^{+0.04} / _{+0.00} | 1.075 ^{-0.008} / _{-0.028} | 1.305 ^{+0.010} / _{+0.00} | 1.504 ^{+0.006} / _{+0.00} | 2.74 |
| ST-112 | 1-1/8 | 1-1/2 | 3/16 | .305 | .187 ^{+0.04} / _{+0.00} | 1.125 ^{-0.008} / _{-0.028} | 1.370 ^{+0.010} / _{+0.00} | 1.497 ^{+0.006} / _{+0.00} | 2.74 |
| ST-112V | 1-1/8 | 1-1/2 | 3/16 | .305 | .187 ^{+0.04} / _{+0.00} | 1.125 ^{-0.008} / _{-0.028} | 1.370 ^{+0.010} / _{+0.00} | 1.497 ^{+0.006} / _{+0.00} | 13.15 |
| ST-118 | 1-3/16 | 1-9/16 | 3/16 | .305 | .187 ^{+0.04} / _{+0.00} | 1.188 ^{-0.010} / _{-0.034} | 1.435 ^{+0.010} / _{+0.00} | 1.560 ^{+0.006} / _{+0.00} | 2.78 |
| ST-125 | 1-1/4 | 1-5/8 | 3/16 | .305 | .187 ^{+0.04} / _{+0.00} | 1.250 ^{-0.010} / _{-0.034} | 1.495 ^{+0.010} / _{+0.00} | 1.622 ^{+0.006} / _{+0.00} | 2.99 |
| ST-125V | 1-1/4 | 1-5/8 | 3/16 | .305 | .187 ^{+0.04} / _{+0.00} | 1.250 ^{-0.010} / _{-0.034} | 1.495 ^{+0.010} / _{+0.00} | 1.622 ^{+0.006} / _{+0.00} | 15.08 |
| ST-131 | 1-5/16 | 1-11/16 | 3/16 | .305 | .187 ^{+0.04} / _{+0.00} | 1.313 ^{-0.010} / _{-0.034} | 1.560 ^{+0.010} / _{+0.00} | 1.685 ^{+0.006} / _{+0.00} | 3.11 |
| ST-137 | 1-3/8 | 1-3/4 | 3/16 | .305 | .187 ^{+0.04} / _{+0.00} | 1.375 ^{-0.010} / _{-0.034} | 1.620 ^{+0.010} / _{+0.00} | 1.747 ^{+0.006} / _{+0.00} | 3.19 |
| ST-137V | 1-3/8 | 1-3/4 | 3/16 | .305 | .187 ^{+0.04} / _{+0.00} | 1.375 ^{-0.010} / _{-0.034} | 1.620 ^{+0.010} / _{+0.00} | 1.747 ^{+0.006} / _{+0.00} | 14.14 |
| ST-143 | 1-7/16 | 1-13/16 | 3/16 | .305 | .187 ^{+0.04} / _{+0.00} | 1.438 ^{-0.010} / _{-0.034} | 1.685 ^{+0.010} / _{+0.00} | 1.810 ^{+0.006} / _{+0.00} | 11.11 |
| ST-150 | 1-1/2 | 1-7/8 | 3/16 | .305 | .187 ^{+0.04} / _{+0.00} | 1.500 ^{-0.010} / _{-0.034} | 1.745 ^{+0.010} / _{+0.00} | 1.872 ^{+0.006} / _{+0.00} | 3.50 |
| ST-150V | 1-1/2 | 1-7/8 | 3/16 | .305 | .187 ^{+0.04} / _{+0.00} | 1.500 ^{-0.010} / _{-0.034} | 1.745 ^{+0.010} / _{+0.00} | 1.872 ^{+0.006} / _{+0.00} | 15.87 |
| ST-156 | 1-9/16 | 1-15/16 | 3/16 | .305 | .187 ^{+0.04} / _{+0.00} | 1.563 ^{-0.010} / _{-0.034} | 1.810 ^{+0.010} / _{+0.00} | 1.935 ^{+0.006} / _{+0.00} | 3.51 |
| ST-162 | 1-5/8 | 2 | 3/16 | .305 | .187 ^{+0.04} / _{+0.00} | 1.625 ^{-0.010} / _{-0.034} | 1.870 ^{+0.010} / _{+0.00} | 1.997 ^{+0.006} / _{+0.00} | 3.61 |
| ST-175 | 1-3/4 | 2-1/8 | 3/16 | .305 | .187 ^{+0.04} / _{+0.00} | 1.750 ^{-0.010} / _{-0.034} | 1.995 ^{+0.010} / _{+0.00} | 2.122 ^{+0.006} / _{+0.00} | 3.92 |
| ST-175V | 1-3/4 | 2-1/8 | 3/16 | .305 | .187 ^{+0.04} / _{+0.00} | 1.750 ^{-0.010} / _{-0.034} | 1.995 ^{+0.010} / _{+0.00} | 2.122 ^{+0.006} / _{+0.00} | 15.98 |
| ST-187 | 1-7/8 | 2-1/4 | 3/16 | .305 | .187 ^{+0.04} / _{+0.00} | 1.875 ^{-0.010} / _{-0.034} | 2.120 ^{+0.010} / _{+0.00} | 2.247 ^{+0.006} / _{+0.00} | 4.06 |
| ST-193 | 1-15/16 | 2-5/16 | 3/16 | .305 | .187 ^{+0.04} / _{+0.00} | 1.938 ^{-0.010} / _{-0.034} | 2.185 ^{+0.010} / _{+0.00} | 2.310 ^{+0.006} / _{+0.00} | 4.22 |
| ST-200 | 2 | 2-1/2 | 1/4 | .395 | .249 ^{+0.04} / _{+0.00} | 2.000 ^{-0.012} / _{-0.041} | 2.327 ^{+0.010} / _{+0.00} | 2.497 ^{+0.006} / _{+0.00} | 4.11 |
| ST-200V | 2 | 2-1/2 | 1/4 | .395 | .249 ^{+0.04} / _{+0.00} | 2.000 ^{-0.012} / _{-0.041} | 2.327 ^{+0.010} / _{+0.00} | 2.497 ^{+0.006} / _{+0.00} | 19.92 |
| ST-212A | 2-1/8 | 2-1/2 | 3/16 | .305 | .187 ^{+0.04} / _{+0.00} | 2.125 ^{-0.012} / _{-0.041} | 2.452 ^{+0.010} / _{+0.00} | 2.497 ^{+0.006} / _{+0.00} | 11.62 |
| ST-212 | 2-1/8 | 2-5/8 | 1/4 | .395 | .249 ^{+0.04} / _{+0.00} | 2.125 ^{-0.012} / _{-0.041} | 2.452 ^{+0.010} / _{+0.00} | 2.622 ^{+0.006} / _{+0.00} | 4.26 |
| ST-225 | 2-1/4 | 2-3/4 | 1/4 | .395 | .249 ^{+0.04} / _{+0.00} | 2.250 ^{-0.012} / _{-0.041} | 2.577 ^{+0.010} / _{+0.00} | 2.747 ^{+0.006} / _{+0.00} | 4.34 |
| ST-237 | 2-3/8 | 2-7/8 | 1/4 | .395 | .249 ^{+0.04} / _{+0.00} | 2.375 ^{-0.012} / _{-0.041} | 2.702 ^{+0.010} / _{+0.00} | 2.872 ^{+0.006} / _{+0.00} | 4.56 |
| ST-250 | 2-1/2 | 3 | 1/4 | .395 | .249 ^{+0.04} / _{+0.00} | 2.500 ^{-0.012} / _{-0.041} | 2.827 ^{+0.010} / _{+0.00} | 2.997 ^{+0.006} / _{+0.00} | 4.86 |
| ST-250V | 2-1/2 | 3 | 1/4 | .395 | .249 ^{+0.04} / _{+0.00} | 2.500 ^{-0.012} / _{-0.041} | 2.827 ^{+0.010} / _{+0.00} | 2.997 ^{+0.006} / _{+0.00} | 30.97 |
| ST-262 | 2-5/8 | 3-1/8 | 1/4 | .395 | .249 ^{+0.04} / _{+0.00} | 2.625 ^{-0.012} / _{-0.041} | 2.952 ^{+0.010} / _{+0.00} | 3.122 ^{+0.006} / _{+0.00} | 4.86 |
| ST-275 | 2-3/4 | 3-1/4 | 1/4 | .395 | .249 ^{+0.04} / _{+0.00} | 2.750 ^{-0.012} / _{-0.041} | 3.077 ^{+0.010} / _{+0.00} | 3.247 ^{+0.006} / _{+0.00} | 5.00 |
| ST-287 | 2-7/8 | 3-3/8 | 1/4 | .395 | .249 ^{+0.04} / _{+0.00} | 2.875 ^{-0.012} / _{-0.041} | 3.202 ^{+0.010} / _{+0.00} | 3.372 ^{+0.006} / _{+0.00} | 5.20 |
| ST-300 | 3 | 3-1/2 | 1/4 | .395 | .249 ^{+0.04} / _{+0.00} | 3.000 ^{-0.012} / _{-0.041} | 3.327 ^{+0.010} / _{+0.00} | 3.497 ^{+0.006} / _{+0.00} | 5.20 |
| ST-300V | 3 | 3-1/2 | 1/4 | .395 | .249 ^{+0.04} / _{+0.00} | 3.000 ^{-0.012} / _{-0.041} | 3.327 ^{+0.010} / _{+0.00} | 3.497 ^{+0.006} / _{+0.00} | 35.67 |
| ST-312 | 3-1/8 | 3-5/8 | 1/4 | .395 | .249 ^{+0.04} / _{+0.00} | 3.125 ^{-0.012} / _{-0.041} | 3.452 ^{+0.010} / _{+0.00} | 3.622 ^{+0.006} / _{+0.00} | 5.78 |
| ST-325 | 3-1/4 | 3-3/4 | 1/4 | .395 | .249 ^{+0.04} / _{+0.00} | 3.250 ^{-0.014} / _{-0.048} | 3.577 ^{+0.010} / _{+0.00} | 3.747 ^{+0.006} / _{+0.00} | 5.78 |

FORMERLY LISTED SEALS ARE AVAILABLE ONLINE AT WWW.HERCULESUS.COM
OR BY CONTACTING YOUR REGIONAL HERCULES SALES TEAM.



STYLE ST URETHANE WIPER RINGS

WIPER RINGS

| Part Number | A Nom. ID | B Nom. OD | C Nom. Ht | C ₁ OVERALL HEIGHT | D GROOVE WIDTH | E ROD DIAMETER | F THROAT DIAMETER | G HOUSING DIAMETER | List Price |
|-------------|--------------|--------------|--------------|----------------------------------|--|---|---|---|------------|
| ST-325V | 3-1/4 | 3-3/4 | 1/4 | .395 | .249 ⁺⁰⁰⁴ / ₊₀₀₀ | 3.250 ⁻⁰⁰¹⁴ / ₋₀₀₄₈ | 3.577 ⁺⁰¹⁰ / ₊₀₀₀ | 3.747 ⁺⁰⁰⁶ / ₊₀₀₀ | 33.04 |
| ST-337 | 3-3/8 | 3-7/8 | 1/4 | .395 | .249 ⁺⁰⁰⁴ / ₊₀₀₀ | 3.375 ⁻⁰⁰¹⁴ / ₋₀₀₄₈ | 3.702 ⁺⁰¹⁰ / ₊₀₀₀ | 3.872 ⁺⁰⁰⁶ / ₊₀₀₀ | 5.95 |
| ST-350 | 3-1/2 | 4 | 1/4 | .395 | .249 ⁺⁰⁰⁴ / ₊₀₀₀ | 3.500 ⁻⁰⁰¹⁴ / ₋₀₀₄₈ | 3.827 ⁺⁰¹⁰ / ₊₀₀₀ | 3.997 ⁺⁰⁰⁶ / ₊₀₀₀ | 5.95 |
| ST-350V | 3-1/2 | 4 | 1/4 | .395 | .249 ⁺⁰⁰⁴ / ₊₀₀₀ | 3.500 ⁻⁰⁰¹⁴ / ₋₀₀₄₈ | 3.827 ⁺⁰¹⁰ / ₊₀₀₀ | 3.997 ⁺⁰⁰⁶ / ₊₀₀₀ | 40.93 |
| ST-362 | 3-5/8 | 4-1/8 | 1/4 | .395 | .249 ⁺⁰⁰⁴ / ₊₀₀₀ | 3.625 ⁻⁰⁰¹⁴ / ₋₀₀₄₈ | 3.952 ⁺⁰¹⁰ / ₊₀₀₀ | 4.122 ⁺⁰⁰⁶ / ₊₀₀₀ | 6.90 |
| ST-375 | 3-3/4 | 4-1/4 | 1/4 | .395 | .249 ⁺⁰⁰⁴ / ₊₀₀₀ | 3.750 ⁻⁰⁰¹⁴ / ₋₀₀₄₈ | 4.077 ⁺⁰¹⁰ / ₊₀₀₀ | 4.247 ⁺⁰⁰⁶ / ₊₀₀₀ | 6.90 |
| ST-387 | 3-7/8 | 4-3/8 | 1/4 | .395 | .249 ⁺⁰⁰⁴ / ₊₀₀₀ | 3.875 ⁻⁰⁰¹⁴ / ₋₀₀₄₈ | 4.202 ⁺⁰¹⁰ / ₊₀₀₀ | 4.372 ⁺⁰⁰⁶ / ₊₀₀₀ | 7.75 |
| ST-400 | 4 | 4-1/2 | 1/4 | .395 | .249 ⁺⁰⁰⁴ / ₊₀₀₀ | 4.000 ⁻⁰⁰¹⁴ / ₋₀₀₄₈ | 4.327 ⁺⁰¹⁰ / ₊₀₀₀ | 4.497 ⁺⁰⁰⁶ / ₊₀₀₀ | 7.75 |
| ST-412 | 4-1/8 | 4-5/8 | 1/4 | .395 | .249 ⁺⁰⁰⁴ / ₊₀₀₀ | 4.125 ⁻⁰⁰¹⁴ / ₋₀₀₄₈ | 4.452 ⁺⁰¹⁰ / ₊₀₀₀ | 4.622 ⁺⁰⁰⁶ / ₊₀₀₀ | 7.89 |
| ST-425 | 4-1/4 | 4-3/4 | 1/4 | .395 | .249 ⁺⁰⁰⁴ / ₊₀₀₀ | 4.250 ⁻⁰⁰¹⁴ / ₋₀₀₄₈ | 4.577 ⁺⁰¹⁰ / ₊₀₀₀ | 4.747 ⁺⁰⁰⁶ / ₊₀₀₀ | 8.01 |
| ST-437 | 4-3/8 | 4-7/8 | 1/4 | .395 | .249 ⁺⁰⁰⁴ / ₊₀₀₀ | 4.375 ⁻⁰⁰¹⁴ / ₋₀₀₄₈ | 4.702 ⁺⁰¹⁰ / ₊₀₀₀ | 4.872 ⁺⁰⁰⁶ / ₊₀₀₀ | 8.59 |
| ST-451 | 4-1/2 | 5 | 1/4 | .395 | .249 ⁺⁰⁰⁴ / ₊₀₀₀ | 4.500 ⁻⁰⁰¹⁴ / ₋₀₀₄₈ | 4.827 ⁺⁰¹⁰ / ₊₀₀₀ | 4.997 ⁺⁰⁰⁶ / ₊₀₀₀ | 8.59 |
| ST-450 | 4-1/2 | 5-1/4 | 3/8 | .585 | .374 ⁺⁰⁰⁴ / ₊₀₀₀ | 4.500 ⁻⁰⁰¹⁴ / ₋₀₀₄₈ | 4.993 ⁺⁰¹⁰ / ₊₀₀₀ | 5.247 ⁺⁰⁰⁶ / ₊₀₀₀ | 8.68 |
| ST-475 | 4-3/4 | 5-1/2 | 3/8 | .585 | .374 ⁺⁰⁰⁴ / ₊₀₀₀ | 4.750 ⁻⁰⁰¹⁷ / ₋₀₀₅₆ | 5.243 ⁺⁰¹⁰ / ₊₀₀₀ | 5.497 ⁺⁰⁰⁶ / ₊₀₀₀ | 9.19 |
| ST-487 | 4-7/8 | 5-5/8 | 3/8 | .585 | .374 ⁺⁰⁰⁴ / ₊₀₀₀ | 4.875 ⁻⁰⁰¹⁷ / ₋₀₀₅₆ | 5.368 ⁺⁰¹⁰ / ₊₀₀₀ | 5.622 ⁺⁰⁰⁶ / ₊₀₀₀ | 10.95 |
| ST-501 | 5 | 5-1/2 | 1/4 | .395 | .249 ⁺⁰⁰⁴ / ₊₀₀₀ | 5.000 ⁻⁰⁰¹⁷ / ₋₀₀₅₆ | 5.327 ⁺⁰¹⁰ / ₊₀₀₀ | 5.497 ⁺⁰⁰⁶ / ₊₀₀₀ | 11.77 |
| ST-500 | 5 | 5-3/4 | 3/8 | .585 | .374 ⁺⁰⁰⁴ / ₊₀₀₀ | 5.000 ⁻⁰⁰¹⁷ / ₋₀₀₅₆ | 5.493 ⁺⁰¹⁰ / ₊₀₀₀ | 5.747 ⁺⁰⁰⁶ / ₊₀₀₀ | 12.12 |
| ST-525 | 5-1/4 | 6 | 3/8 | .585 | .374 ⁺⁰⁰⁴ / ₊₀₀₀ | 5.250 ⁻⁰⁰¹⁷ / ₋₀₀₅₆ | 5.743 ⁺⁰¹⁰ / ₊₀₀₀ | 5.997 ⁺⁰⁰⁶ / ₊₀₀₀ | 14.97 |
| ST-550 | 5-1/2 | 6-1/4 | 3/8 | .585 | .374 ⁺⁰⁰⁴ / ₊₀₀₀ | 5.500 ⁻⁰⁰¹⁷ / ₋₀₀₅₆ | 5.993 ⁺⁰¹⁰ / ₊₀₀₀ | 6.247 ⁺⁰⁰⁶ / ₊₀₀₀ | 15.06 |
| ST-575 | 5-3/4 | 6-1/2 | 3/8 | .585 | .374 ⁺⁰⁰⁴ / ₊₀₀₀ | 5.750 ⁻⁰⁰¹⁷ / ₋₀₀₅₆ | 6.243 ⁺⁰¹⁰ / ₊₀₀₀ | 6.497 ⁺⁰⁰⁶ / ₊₀₀₀ | 16.94 |
| ST-600 | 6 | 6-3/4 | 3/8 | .585 | .374 ⁺⁰⁰⁴ / ₊₀₀₀ | 6.000 ⁻⁰⁰¹⁷ / ₋₀₀₅₆ | 6.493 ⁺⁰¹⁰ / ₊₀₀₀ | 6.747 ⁺⁰⁰⁶ / ₊₀₀₀ | 17.82 |
| ST-625 | 6-1/4 | 7 | 3/8 | .585 | .374 ⁺⁰⁰⁴ / ₊₀₀₀ | 6.250 ⁻⁰⁰¹⁷ / ₋₀₀₅₆ | 6.743 ⁺⁰¹⁰ / ₊₀₀₀ | 6.997 ⁺⁰⁰⁶ / ₊₀₀₀ | 18.32 |
| ST-650 | 6-1/2 | 7-1/4 | 3/8 | .585 | .374 ⁺⁰⁰⁴ / ₊₀₀₀ | 6.500 ⁻⁰⁰¹⁷ / ₋₀₀₅₆ | 6.993 ⁺⁰¹⁰ / ₊₀₀₀ | 7.247 ⁺⁰⁰⁶ / ₊₀₀₀ | 18.80 |
| ST-650-A | 6-1/2 | 7-1/2 | 3/8 | .585 | .374 ⁺⁰⁰⁴ / ₊₀₀₀ | 6.500 ⁻⁰⁰¹⁷ / ₋₀₀₅₆ | 7.159 ⁺⁰¹⁰ / ₊₀₀₀ | 7.497 ⁺⁰⁰⁶ / ₊₀₀₀ | 66.67 |
| ST-660 | 6-1/2 | 7-1/2 | 1/2 | .775 | .499 ⁺⁰⁰⁴ / ₊₀₀₀ | 6.500 ⁻⁰⁰¹⁷ / ₋₀₀₅₆ | 6.993 ⁺⁰¹⁰ / ₊₀₀₀ | 7.497 ⁺⁰⁰⁶ / ₊₀₀₀ | 61.71 |
| ST-675 | 6-3/4 | 7-1/2 | 3/8 | .585 | .374 ⁺⁰⁰⁴ / ₊₀₀₀ | 6.750 ⁻⁰⁰¹⁷ / ₋₀₀₅₆ | 7.243 ⁺⁰¹⁰ / ₊₀₀₀ | 7.497 ⁺⁰⁰⁶ / ₊₀₀₀ | 19.67 |
| ST-702 | 7 | 8 | .4 | .675 | .399 ⁺⁰⁰⁴ / ₊₀₀₀ | 7.000 ⁻⁰⁰¹⁷ / ₋₀₀₅₆ | 7.659 ⁺⁰¹⁰ / ₊₀₀₀ | 7.997 ⁺⁰⁰⁶ / ₊₀₀₀ | 61.47 |
| ST-701 | 7 | 8 | 1/2 | .775 | .499 ⁺⁰⁰⁴ / ₊₀₀₀ | 7.000 ⁻⁰⁰¹⁷ / ₋₀₀₅₆ | 7.659 ⁺⁰¹⁰ / ₊₀₀₀ | 7.997 ⁺⁰⁰⁶ / ₊₀₀₀ | 61.20 |
| ST-750 | 7-1/2 | 8-1/4 | 3/8 | .585 | .374 ⁺⁰⁰⁴ / ₊₀₀₀ | 7.500 ⁻⁰⁰²⁰ / ₋₀₀₆₅ | 7.993 ⁺⁰¹⁰ / ₊₀₀₀ | 8.247 ⁺⁰⁰⁶ / ₊₀₀₀ | 21.93 |
| ST-750-A | 7-1/2 | 8-1/2 | 3/8 | .585 | .374 ⁺⁰⁰⁴ / ₊₀₀₀ | 7.500 ⁻⁰⁰²⁰ / ₋₀₀₆₅ | 8.159 ⁺⁰¹⁰ / ₊₀₀₀ | 8.497 ⁺⁰⁰⁶ / ₊₀₀₀ | 74.53 |
| ST-775 | 7-3/4 | 8-1/2 | 3/8 | .585 | .374 ⁺⁰⁰⁴ / ₊₀₀₀ | 7.750 ⁻⁰⁰²⁰ / ₋₀₀₆₅ | 8.243 ⁺⁰¹⁰ / ₊₀₀₀ | 8.497 ⁺⁰⁰⁶ / ₊₀₀₀ | 23.49 |
| ST-801 | 8 | 8-1/2 | 1/4 | .395 | .249 ⁺⁰⁰⁴ / ₊₀₀₀ | 8.000 ⁻⁰⁰²⁰ / ₋₀₀₆₅ | 8.327 ⁺⁰¹⁰ / ₊₀₀₀ | 8.497 ⁺⁰⁰⁶ / ₊₀₀₀ | 25.11 |
| ST-800 | 8 | 8-3/4 | 3/8 | .585 | .374 ⁺⁰⁰⁴ / ₊₀₀₀ | 8.000 ⁻⁰⁰²⁰ / ₋₀₀₆₅ | 8.493 ⁺⁰¹⁰ / ₊₀₀₀ | 8.747 ⁺⁰⁰⁶ / ₊₀₀₀ | 25.11 |

NORTH AMERICA
PHONE 1-800-777-5617
FAX 1-800-759-6391

SALES OFFICE HOURS
8 A.M. TO 7:30 P.M. EASTERN TIME
www.HerculesUS.com

WORLDWIDE
PHONE 1-727-796-1300
FAX 1-727-797-8849



STYLE ST URETHANE WIPER RINGS

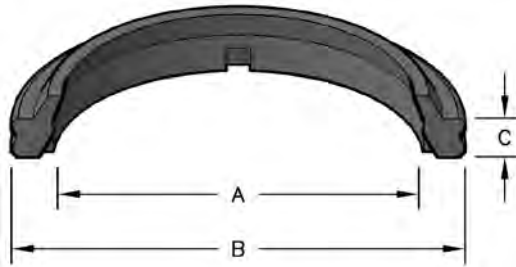
| Part Number | A Nom. ID | B Nom. OD | C Nom. Ht | C ₁ OVERALL HEIGHT | D GROOVE WIDTH | E ROD DIAMETER | F THROAT DIAMETER | G HOUSING DIAMETER | List Price |
|-------------|--------------|--------------|--------------|----------------------------------|--|---|--|--|------------|
| ST-825 | 8-1/4 | 9 | 3/8 | .585 | .374 ^{+0.04} / _{+0.00} | 8.250 ^{-0.020} / _{-0.0065} | 8.743 ^{+0.010} / _{+0.000} | 8.997 ^{+0.006} / _{+0.000} | 25.46 |
| ST-851 | 8-1/2 | 9 | 1/4 | .395 | .249 ^{+0.004} / _{+0.000} | 8.500 ^{-0.020} / _{-0.0065} | 8.827 ^{+0.010} / _{+0.000} | 8.997 ^{+0.006} / _{+0.000} | 62.69 |
| ST-850 | 8-1/2 | 9-1/4 | 3/8 | .585 | .374 ^{+0.004} / _{+0.000} | 8.500 ^{-0.020} / _{-0.0065} | 8.993 ^{+0.010} / _{+0.000} | 9.247 ^{+0.006} / _{+0.000} | 25.46 |
| ST-875 | 8-3/4 | 9-1/2 | 1/4 | .395 | .374 ^{+0.004} / _{+0.000} | 8.750 ^{-0.020} / _{-0.0065} | 9.243 ^{+0.010} / _{+0.000} | 9.497 ^{+0.006} / _{+0.000} | 27.05 |
| ST-900 | 9 | 9-3/4 | 3/8 | .585 | .374 ^{+0.004} / _{+0.000} | 9.000 ^{-0.020} / _{-0.0065} | 9.493 ^{+0.010} / _{+0.000} | 9.747 ^{+0.006} / _{+0.000} | 28.94 |
| ST-950 | 9-1/2 | 10-1/4 | 3/8 | .585 | .374 ^{+0.004} / _{+0.000} | 9.500 ^{-0.020} / _{-0.0065} | 9.993 ^{+0.010} / _{+0.000} | 10.247 ^{+0.006} / _{+0.000} | 30.40 |
| ST-975 | 9-3/4 | 10-1/2 | 3/8 | .585 | .374 ^{+0.004} / _{+0.000} | 9.750 ^{-0.020} / _{-0.0065} | 10.243 ^{+0.010} / _{+0.000} | 10.497 ^{+0.006} / _{+0.000} | 32.45 |
| ST-1000A | 10 | 10-1/2 | 1/4 | .395 | .249 ^{+0.004} / _{+0.000} | 10.000 ^{-0.022} / _{-0.0073} | 10.313 ^{+0.010} / _{+0.000} | 10.497 ^{+0.006} / _{+0.000} | 79.49 |
| ST-1000 | 10 | 11 | 1/2 | .775 | .499 ^{+0.004} / _{+0.000} | 10.000 ^{-0.022} / _{-0.0073} | 10.659 ^{+0.010} / _{+0.000} | 10.997 ^{+0.006} / _{+0.000} | 37.18 |
| ST-1100 | 11 | 12 | 1/2 | .775 | .499 ^{+0.004} / _{+0.000} | 11.000 ^{-0.022} / _{-0.0073} | 11.659 ^{+0.010} / _{+0.000} | 11.997 ^{+0.006} / _{+0.000} | 40.32 |
| ST-1200 | 12 | 13 | 1/2 | .775 | .499 ^{+0.004} / _{+0.000} | 12.000 ^{-0.022} / _{-0.0073} | 12.659 ^{+0.010} / _{+0.000} | 12.997 ^{+0.006} / _{+0.000} | 43.14 |
| ST-1201 | 12 | 13-1/4 | 1/2 | .775 | .499 ^{+0.004} / _{+0.000} | 12.000 ^{-0.022} / _{-0.0073} | 12.909 ^{+0.010} / _{+0.000} | 13.247 ^{+0.006} / _{+0.000} | 91.17 |
| ST-1250 | 12-1/2 | 13-1/2 | 1/2 | .775 | .499 ^{+0.004} / _{+0.000} | 12.500 ^{-0.024} / _{-0.0080} | 13.159 ^{+0.010} / _{+0.000} | 13.497 ^{+0.006} / _{+0.000} | 93.45 |

WIPER RINGS



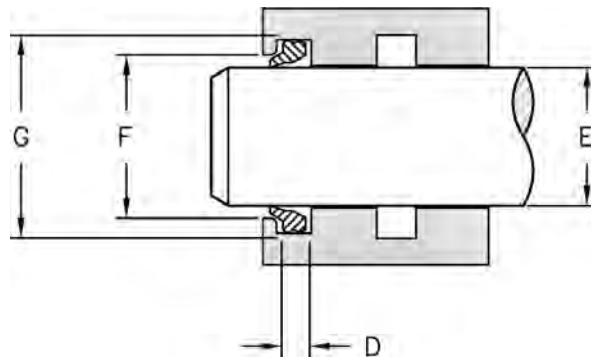
STYLE ST URETHANE WIPER RINGS WITH SLOTTED HEEL

A wide range of ST wipers are now offered in the slotted heel design. The slots in the heel allow excess hydraulic fluid to bypass the wiper, preventing wiper blowout.



HERCULES PART NUMBERS

ST - 31 - SH
 Prefix Size Slotted Heel



SEAL INFORMATION

| | |
|-------------------|-----------------|
| MATERIAL | 90A URETHANE |
| TEMPERATURE RANGE | -40° TO +200° F |
| SPEED | 3 FT/SEC |

WIPER RINGS

| Part Number | A Nom. ID | B Nom. OD | C Nom. Ht | D GROOVE WIDTH | E ROD DIAMETER | F THROAT DIAMETER | G HOUSING DIAMETER | List Price |
|-------------|--------------|--------------|--------------|--------------------------|-----------------------------|---------------------------|---------------------------|---------------|
| ST-31-SH | 5/16 | 9/16 | 1/8 | .124 +0.004 +0.000 | .312 -0.0005 -0.0019 | .475 +0.010 +0.000 | .560 +0.006 +0.000 | \$2.31 |
| ST-37-SH | 3/8 | 5/8 | 1/8 | .124 +0.004 +0.000 | .375 -0.0005 -0.0019 | .535 +0.010 +0.000 | .622 +0.006 +0.000 | 2.31 |
| ST-43-SH | 7/16 | 11/16 | 1/8 | .124 +0.004 +0.000 | .437 -0.0006 -0.0023 | .600 +0.010 +0.000 | .685 +0.006 +0.000 | 2.31 |
| ST-50-SH | 1/2 | 3/4 | 1/8 | .124 +0.004 +0.000 | .500 -0.0006 -0.0023 | .660 +0.010 +0.000 | .747 +0.006 +0.000 | 2.31 |
| ST-62-SH | 5/8 | 7/8 | 1/8 | .124 +0.004 +0.000 | .625 -0.0006 -0.0023 | .785 +0.010 +0.000 | .872 +0.006 +0.000 | 2.74 |
| ST-68-SH | 11/16 | .934 | .124 | .124 +0.004 +0.000 | .687 -0.0006 -0.0023 | .844 +0.010 +0.000 | .934 +0.006 +0.000 | 2.74 |
| ST-75-SH | 3/4 | 1-1/8 | 3/16 | .187 +0.004 +0.000 | .750 -0.0008 -0.0028 | .995 +0.010 +0.000 | 1.122 +0.006 +0.000 | 2.74 |
| ST-87-SH | 7/8 | 1-1/4 | 3/16 | .187 +0.004 +0.000 | .875 -0.0008 -0.0028 | 1.120 +0.010 +0.000 | 1.247 +0.006 +0.000 | 2.74 |
| ST-100-SH | 1 | 1-3/8 | 3/16 | .187 +0.004 +0.000 | 1.000 -0.0008 -0.0028 | 1.245 +0.010 +0.000 | 1.372 +0.006 +0.000 | 2.74 |
| ST-112-SH | 1-1/8 | 1-1/2 | 3/16 | .187 +0.004 +0.000 | 1.125 -0.0008 -0.0028 | 1.370 +0.010 +0.000 | 1.497 +0.006 +0.000 | 2.74 |
| ST-125-SH | 1-1/4 | 1-5/8 | 3/16 | .187 +0.004 +0.000 | 1.250 -0.0010 -0.0034 | 1.495 +0.010 +0.000 | 1.622 +0.006 +0.000 | 2.99 |
| ST-137-SH | 1-3/8 | 1-3/4 | 3/16 | .187 +0.004 +0.000 | 1.375 -0.0010 -0.0034 | 1.620 +0.010 +0.000 | 1.747 +0.006 +0.000 | 3.19 |
| ST-150-SH | 1-1/2 | 1-7/8 | 3/16 | .187 +0.004 +0.000 | 1.500 -0.0010 -0.0034 | 1.745 +0.010 +0.000 | 1.872 +0.006 +0.000 | 3.50 |
| ST-162-SH | 1-5/8 | 2 | 3/16 | .187 +0.004 +0.000 | 1.625 -0.0010 -0.0034 | 1.870 +0.010 +0.000 | 1.997 +0.006 +0.000 | 3.73 |
| ST-175-SH | 1-3/4 | 2-1/8 | 3/16 | .187 +0.004 +0.000 | 1.750 -0.0010 -0.0034 | 1.995 +0.010 +0.000 | 2.122 +0.006 +0.000 | 3.92 |
| ST-187-SH | 1-7/8 | 2-1/4 | 3/16 | .187 +0.004 +0.000 | 1.875 -0.0010 -0.0034 | 2.120 +0.010 +0.000 | 2.247 +0.006 +0.000 | 4.01 |
| ST-200-SH | 2 | 2-1/2 | 1/4 | .249 +0.004 +0.000 | 2.000 -0.0012 -0.0041 | 2.327 +0.010 +0.000 | 2.497 +0.006 +0.000 | 4.11 |

NORTH AMERICA
 PHONE 1-800-777-5617
 FAX 1-800-759-6391

SALES OFFICE HOURS
 8 A.M. TO 7:30 P.M. EASTERN TIME
www.HerculesUS.com

WORLDWIDE
 PHONE 1-727-796-1300
 FAX 1-727-797-8849

STYLE ST URETHANE WIPER RINGS WITH SLOTTED HEEL

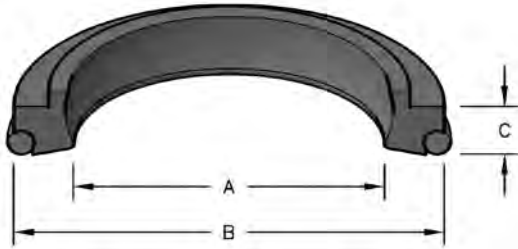
| Part Number | A Nom. ID | B Nom. OD | C Nom. Ht | D GROOVE WIDTH | E ROD DIAMETER | F THROAT DIAMETER | G HOUSING DIAMETER | List Price |
|-------------|--------------|--------------|--------------|--|--|---|---|---------------|
| ST-212-SH | 2-1/8 | 2-5/8 | 1/4 | .249 ^{+0.04} / _{+0.00} | 2.125 ^{-0.012} / _{-0.0041} | 2.452 ^{+0.010} / _{+0.000} | 2.622 ^{+0.006} / _{+0.000} | 4.28 |
| ST-225-SH | 2-1/4 | 2-3/4 | 1/4 | .249 ^{+0.04} / _{+0.00} | 2.250 ^{-0.012} / _{-0.0041} | 2.577 ^{+0.010} / _{+0.000} | 2.747 ^{+0.006} / _{+0.000} | 4.34 |
| ST-237-SH | 2-3/8 | 2-7/8 | 1/4 | .249 ^{+0.04} / _{+0.00} | 2.375 ^{-0.012} / _{-0.0041} | 2.702 ^{+0.010} / _{+0.000} | 2.872 ^{+0.006} / _{+0.000} | 4.34 |
| ST-250-SH | 2-1/2 | 3 | 1/4 | .249 ^{+0.04} / _{+0.00} | 2.500 ^{-0.012} / _{-0.0041} | 2.827 ^{+0.010} / _{+0.000} | 2.997 ^{+0.006} / _{+0.000} | 4.34 |
| ST-262-SH | 2-5/8 | 3-1/8 | 1/4 | .249 ^{+0.04} / _{+0.00} | 2.625 ^{-0.012} / _{-0.0041} | 2.952 ^{+0.010} / _{+0.000} | 3.122 ^{+0.006} / _{+0.000} | 4.69 |
| ST-275-SH | 2-3/4 | 3-1/4 | 1/4 | .249 ^{+0.04} / _{+0.00} | 2.750 ^{-0.012} / _{-0.0041} | 3.077 ^{+0.010} / _{+0.000} | 3.247 ^{+0.006} / _{+0.000} | 5.00 |
| ST-300-SH | 3 | 3-1/2 | 1/4 | .249 ^{+0.04} / _{+0.00} | 3.000 ^{-0.012} / _{-0.0041} | 3.327 ^{+0.010} / _{+0.000} | 3.497 ^{+0.006} / _{+0.000} | 5.23 |
| ST-312-SH | 3-1/8 | 3-5/8 | 1/4 | .249 ^{+0.04} / _{+0.00} | 3.125 ^{-0.012} / _{-0.0041} | 3.452 ^{+0.010} / _{+0.000} | 3.622 ^{+0.006} / _{+0.000} | 5.79 |
| ST-325-SH | 3-1/4 | 3-3/4 | 1/4 | .249 ^{+0.04} / _{+0.00} | 3.250 ^{-0.014} / _{-0.0048} | 3.577 ^{+0.010} / _{+0.000} | 3.747 ^{+0.006} / _{+0.000} | 5.95 |
| ST-350-SH | 3-1/2 | 4 | 1/4 | .249 ^{+0.04} / _{+0.00} | 3.500 ^{-0.014} / _{-0.0048} | 3.827 ^{+0.010} / _{+0.000} | 3.997 ^{+0.006} / _{+0.000} | 5.95 |
| ST-362-SH | 3-5/8 | 4-1/8 | 1/4 | .249 ^{+0.04} / _{+0.00} | 3.625 ^{-0.014} / _{-0.0048} | 3.952 ^{+0.010} / _{+0.000} | 4.122 ^{+0.006} / _{+0.000} | 6.43 |
| ST-375-SH | 3-3/4 | 4-1/4 | 1/4 | .249 ^{+0.04} / _{+0.00} | 3.750 ^{-0.014} / _{-0.0048} | 4.077 ^{+0.010} / _{+0.000} | 4.247 ^{+0.006} / _{+0.000} | 6.90 |
| ST-400-SH | 4 | 4-1/2 | 1/4 | .249 ^{+0.04} / _{+0.00} | 4.000 ^{-0.014} / _{-0.0048} | 4.327 ^{+0.010} / _{+0.000} | 4.497 ^{+0.006} / _{+0.000} | 7.75 |
| ST-425-SH | 4-1/4 | 4-3/4 | 1/4 | .249 ^{+0.04} / _{+0.00} | 4.250 ^{-0.014} / _{-0.0048} | 4.577 ^{+0.010} / _{+0.000} | 4.747 ^{+0.006} / _{+0.000} | 8.01 |
| ST-450-SH | 4-1/2 | 5-1/4 | 3/8 | .374 ^{+0.04} / _{+0.00} | 4.500 ^{-0.014} / _{-0.0048} | 4.993 ^{+0.010} / _{+0.000} | 5.247 ^{+0.006} / _{+0.000} | 8.68 |
| ST-475-SH | 4-3/4 | 5-1/2 | 3/8 | .374 ^{+0.04} / _{+0.00} | 4.750 ^{-0.017} / _{-0.0056} | 5.243 ^{+0.010} / _{+0.000} | 5.497 ^{+0.006} / _{+0.000} | 9.19 |
| ST-500-SH | 5 | 5-3/4 | 3/8 | .374 ^{+0.04} / _{+0.00} | 5.000 ^{-0.017} / _{-0.0056} | 5.493 ^{+0.010} / _{+0.000} | 5.747 ^{+0.006} / _{+0.000} | 12.12 |
| ST-525-SH | 5-1/4 | 6 | 3/8 | .374 ^{+0.04} / _{+0.00} | 5.250 ^{-0.017} / _{-0.0056} | 5.743 ^{+0.010} / _{+0.000} | 5.997 ^{+0.006} / _{+0.000} | 14.97 |
| ST-550-SH | 5-1/2 | 6-1/4 | 3/8 | .374 ^{+0.04} / _{+0.00} | 5.500 ^{-0.017} / _{-0.0056} | 5.993 ^{+0.010} / _{+0.000} | 6.247 ^{+0.006} / _{+0.000} | 15.72 |
| ST-600-SH | 6 | 6-3/4 | 3/8 | .374 ^{+0.04} / _{+0.00} | 6.000 ^{-0.017} / _{-0.0056} | 6.493 ^{+0.010} / _{+0.000} | 6.747 ^{+0.006} / _{+0.000} | 17.82 |
| ST-700-SH | 7 | 7-3/4 | 3/8 | .374 ^{+0.04} / _{+0.00} | 7.000 ^{-0.017} / _{-0.0056} | 7.493 ^{+0.010} / _{+0.000} | 7.747 ^{+0.006} / _{+0.000} | 21.16 |
| ST-725-SH | 7-1/4 | 8 | 3/8 | .374 ^{+0.04} / _{+0.00} | 7.250 ^{-0.020} / _{-0.0065} | 7.743 ^{+0.010} / _{+0.000} | 7.997 ^{+0.006} / _{+0.000} | 21.82 |
| ST-750-SH | 7-1/2 | 8-1/4 | 3/8 | .374 ^{+0.04} / _{+0.00} | 7.500 ^{-0.020} / _{-0.0065} | 7.993 ^{+0.010} / _{+0.000} | 8.247 ^{+0.006} / _{+0.000} | 22.75 |
| ST-800-SH | 8 | 8-3/4 | 3/8 | .374 ^{+0.04} / _{+0.00} | 8.000 ^{-0.020} / _{-0.0065} | 8.493 ^{+0.010} / _{+0.000} | 8.747 ^{+0.006} / _{+0.000} | 23.76 |
| ST-900-SH | 9 | 9-3/4 | 3/8 | .374 ^{+0.04} / _{+0.00} | 9.000 ^{-0.020} / _{-0.0065} | 9.493 ^{+0.010} / _{+0.000} | 9.747 ^{+0.006} / _{+0.000} | 28.42 |

WIPER RINGS



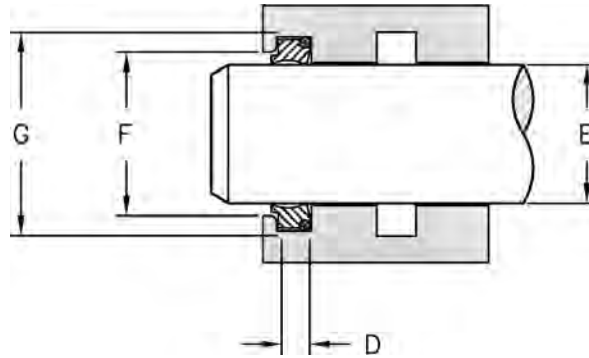
STYLE STXE ENERGIZED WIPER RINGS

STXE wipers are designed to retrofit the standard ST wiper groove while providing superior performance. The o-ring energizer limits dirt intrusion around the OD of the wiper. The energizer also makes this wiper more effective in applications with severe side deflections.



HERCULES PART NUMBERS

STXE - 150
Prefix Size



SEAL INFORMATION

| | |
|-------------------|------------------------------------|
| MATERIAL | URETHANE WIPER RUBBER ENERGIZER |
| TEMPERATURE RANGE | -40° TO +200° F |
| SPEED | 3 FT/SEC |

WIPER RINGS

| Part Number | A Nom. ID | B Nom. OD | C Nom. Ht | D GROOVE WIDTH | E ROD DIAMETER | F THROAT DIAMETER | G HOUSING DIAMETER | List Price |
|-------------|--------------|--------------|--------------|--|--|--|--|---------------|
| STXE-150 | 1-1/2 | 1-7/8 | 3/16 | .187 ^{+0.04} / _{+0.00} | 1.500 ^{-0.010} / _{-0.0034} | 1.745 ^{+0.010} / _{+0.00} | 1.872 ^{+0.006} / _{+0.00} | \$12.64 |
| STXE-175 | 1-3/4 | 2-1/8 | 3/16 | .187 ^{+0.04} / _{+0.00} | 1.750 ^{-0.010} / _{-0.0034} | 1.995 ^{+0.010} / _{+0.00} | 2.122 ^{+0.006} / _{+0.00} | 14.41 |
| STXE-200 | 2 | 2-1/2 | 1/4 | .249 ^{+0.04} / _{+0.00} | 2.000 ^{-0.012} / _{-0.0041} | 2.327 ^{+0.010} / _{+0.00} | 2.497 ^{+0.006} / _{+0.00} | 16.22 |
| STXE-250 | 2-1/2 | 3 | 1/4 | .249 ^{+0.04} / _{+0.00} | 2.500 ^{-0.012} / _{-0.0041} | 2.827 ^{+0.010} / _{+0.00} | 2.997 ^{+0.006} / _{+0.00} | 18.63 |
| STXE-300 | 3 | 3-1/2 | 1/4 | .249 ^{+0.04} / _{+0.00} | 3.000 ^{-0.012} / _{-0.0041} | 3.327 ^{+0.010} / _{+0.00} | 3.497 ^{+0.006} / _{+0.00} | 21.39 |
| STXE-350 | 3-1/2 | 4 | 1/4 | .249 ^{+0.04} / _{+0.00} | 3.500 ^{-0.014} / _{-0.0048} | 3.827 ^{+0.010} / _{+0.00} | 3.997 ^{+0.006} / _{+0.00} | 32.29 |
| STXE-375 | 3-3/4 | 4-1/4 | 1/4 | .249 ^{+0.04} / _{+0.00} | 3.750 ^{-0.014} / _{-0.0048} | 4.077 ^{+0.010} / _{+0.00} | 4.247 ^{+0.006} / _{+0.00} | 32.67 |
| STXE-400 | 4 | 4-1/2 | 1/4 | .249 ^{+0.04} / _{+0.00} | 4.000 ^{-0.014} / _{-0.0048} | 4.327 ^{+0.010} / _{+0.00} | 4.497 ^{+0.006} / _{+0.00} | 33.38 |
| STXE-450 | 4-1/2 | 5-1/4 | 3/8 | .374 ^{+0.04} / _{+0.00} | 4.500 ^{-0.014} / _{-0.0048} | 4.993 ^{+0.010} / _{+0.00} | 5.247 ^{+0.006} / _{+0.00} | 47.81 |

Seal color may vary. Special order sizes are available. Sizes not shown and out of stock items can also be ordered for next day delivery through Seals On Demand, our custom seal program. Please call your regional sales team for assistance.

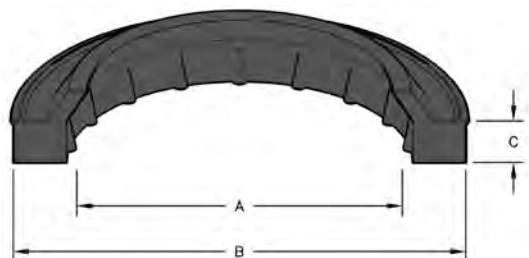
NORTH AMERICA
PHONE 1-800-777-5617
FAX 1-800-759-6391

SALES OFFICE HOURS
8 A.M. TO 7:30 P.M. EASTERN TIME
www.HerculesUS.com

WORLDWIDE
PHONE 1-727-796-1300
FAX 1-727-797-8849

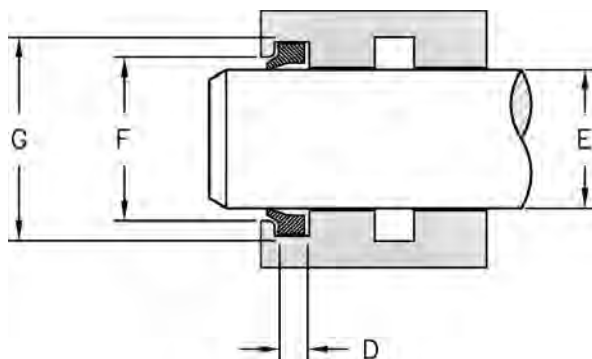
STYLE ST-XL URETHANE WIPER RINGS

Style ST-XL wipers are molded from premium urethane and are direct replacements for Style "ST" or "D" wipers. The outside diameter of the ring has a crush lip providing extra interference in the groove. A bead on the shoulder stops contaminants from entering through the groove. The inside diameter is ribbed to prevent pressure traps between the wiper and rod seal.



HERCULES PART NUMBERS

ST - 37 - XL
 Prefix Size Extra Lip



SEAL INFORMATION

| | |
|-------------------|-----------------|
| MATERIAL | 94A URETHANE |
| TEMPERATURE RANGE | -40° TO +230° F |
| SPEED | 3 FT/SEC |

WIPER RINGS

| Part Number | A Nom. ID | B Nom. OD | C Nom. Ht | D GROOVE WIDTH | E ROD DIAMETER | F THROAT DIAMETER | G HOUSING DIAMETER | List Price |
|-------------|--------------|--------------|--------------|--|--|--|--|---------------|
| ST-37-XL | 3/8 | 5/8 | 1/8 | .124 ^{+0.04} / _{+0.00} | .375 ^{-0.005} / _{-0.0019} | .535 ^{+0.010} / _{+0.000} | .622 ^{+0.006} / _{+0.000} | \$2.55 |
| ST-50-XL | 1/2 | 3/4 | 1/8 | .124 ^{+0.04} / _{+0.00} | .500 ^{-0.006} / _{-0.0023} | .660 ^{+0.010} / _{+0.000} | .747 ^{+0.006} / _{+0.000} | 2.55 |
| ST-62-XL | 5/8 | 7/8 | 1/8 | .124 ^{+0.04} / _{+0.00} | .625 ^{-0.006} / _{-0.0023} | .785 ^{+0.010} / _{+0.000} | .872 ^{+0.006} / _{+0.000} | 1.53 |
| ST-75-XL | 3/4 | 1-1/8 | 3/16 | .187 ^{+0.04} / _{+0.00} | .750 ^{-0.008} / _{-0.0028} | .995 ^{+0.010} / _{+0.000} | 1.122 ^{+0.006} / _{+0.000} | 2.89 |
| ST-87-XL | 7/8 | 1-1/4 | 3/16 | .187 ^{+0.04} / _{+0.00} | .875 ^{-0.008} / _{-0.0028} | 1.120 ^{+0.010} / _{+0.000} | 1.247 ^{+0.006} / _{+0.000} | 0.32 |
| ST-100-XL | 1 | 1-3/8 | 3/16 | .187 ^{+0.04} / _{+0.00} | 1.000 ^{-0.008} / _{-0.0028} | 1.245 ^{+0.010} / _{+0.000} | 1.372 ^{+0.006} / _{+0.000} | 3.85 |
| ST-112-XL | 1-1/8 | 1-1/2 | 3/16 | .187 ^{+0.04} / _{+0.00} | 1.125 ^{-0.008} / _{-0.0028} | 1.370 ^{+0.010} / _{+0.000} | 1.497 ^{+0.006} / _{+0.000} | 3.85 |
| ST-118-XL | 1-3/16 | 1-9/16 | 3/16 | .187 ^{+0.04} / _{+0.00} | 1.187 ^{-0.010} / _{-0.0034} | 1.4375 ^{+0.010} / _{+0.000} | 1.5625 ^{+0.006} / _{+0.000} | 3.38 |
| ST-125-XL | 1-1/4 | 1-5/8 | 3/16 | .187 ^{+0.04} / _{+0.00} | 1.250 ^{-0.010} / _{-0.0034} | 1.495 ^{+0.010} / _{+0.000} | 1.622 ^{+0.006} / _{+0.000} | 4.17 |
| ST-137-XL | 1-3/8 | 1-3/4 | 3/16 | .187 ^{+0.04} / _{+0.00} | 1.375 ^{-0.010} / _{-0.0034} | 1.620 ^{+0.010} / _{+0.000} | 1.747 ^{+0.006} / _{+0.000} | 4.42 |
| ST-150-XL | 1-1/2 | 1-7/8 | 3/16 | .187 ^{+0.04} / _{+0.00} | 1.500 ^{-0.010} / _{-0.0034} | 1.745 ^{+0.010} / _{+0.000} | 1.872 ^{+0.006} / _{+0.000} | 4.66 |
| ST-162-XL | 1-5/8 | 2 | 3/16 | .187 ^{+0.04} / _{+0.00} | 1.625 ^{-0.010} / _{-0.0034} | 1.870 ^{+0.010} / _{+0.000} | 1.997 ^{+0.006} / _{+0.000} | 5.07 |
| ST-175-XL | 1-3/4 | 2-1/8 | 3/16 | .187 ^{+0.04} / _{+0.00} | 1.750 ^{-0.010} / _{-0.0034} | 1.995 ^{+0.010} / _{+0.000} | 2.122 ^{+0.006} / _{+0.000} | 5.45 |
| ST-187-XL | 1-7/8 | 2-1/4 | 3/16 | .187 ^{+0.04} / _{+0.00} | 1.875 ^{-0.010} / _{-0.0034} | 2.120 ^{+0.010} / _{+0.000} | 2.247 ^{+0.006} / _{+0.000} | 6.00 |
| ST-200-XL | 2 | 2-1/2 | 1/4 | .249 ^{+0.04} / _{+0.00} | 2.000 ^{-0.012} / _{-0.0041} | 2.327 ^{+0.010} / _{+0.000} | 2.497 ^{+0.006} / _{+0.000} | 5.71 |
| ST-225-XL | 2-1/4 | 2-3/4 | 1/4 | .249 ^{+0.04} / _{+0.00} | 2.250 ^{-0.012} / _{-0.0041} | 2.577 ^{+0.010} / _{+0.000} | 2.747 ^{+0.006} / _{+0.000} | 6.02 |

* Closeout item - Price Shown as Net. This item will no longer be available once stock has been depleted.

FORMERLY LISTED SEALS ARE AVAILABLE ONLINE AT WWW.HERCULESUS.COM
 OR BY CONTACTING YOUR REGIONAL HERCULES SALES TEAM.



STYLE ST-XL URETHANE WIPER RINGS

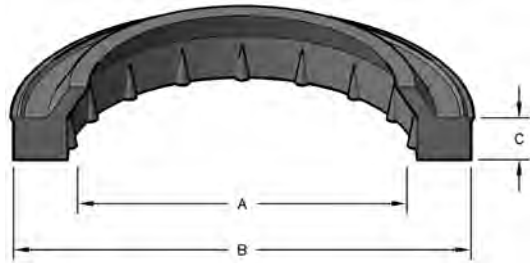
WIPER RINGS

| Part Number | A Nom. ID | B Nom. OD | C Nom. Ht | D GROOVE WIDTH | E ROD DIAMETER | F THROAT DIAMETER | G HOUSING DIAMETER | List Price |
|-------------|--------------|--------------|--------------|--|--|--|--|---------------|
| ST-237-XL | 2-3/8 | 2-7/8 | 1/4 | .249 ⁺⁰⁰⁴ / ₊₀₀₀ | 2.375 ⁻⁰⁰¹² / ₋₀₀₄₁ | 2.702 ⁺⁰¹⁰ / ₊₀₀₀ | 2.872 ⁺⁰⁰⁶ / ₊₀₀₀ | 6.35 |
| ST-250-XL | 2-1/2 | 3 | 1/4 | .249 ⁺⁰⁰⁴ / ₊₀₀₀ | 2.500 ⁻⁰⁰¹² / ₋₀₀₄₁ | 2.827 ⁺⁰¹⁰ / ₊₀₀₀ | 2.997 ⁺⁰⁰⁶ / ₊₀₀₀ | 6.68 |
| ST-275-XL | 2-3/4 | 3-1/4 | 1/4 | .249 ⁺⁰⁰⁴ / ₊₀₀₀ | 2.750 ⁻⁰⁰¹² / ₋₀₀₄₁ | 3.077 ⁺⁰¹⁰ / ₊₀₀₀ | 3.247 ⁺⁰⁰⁶ / ₊₀₀₀ | 6.96 |
| ST-300-XL | 3 | 3-1/2 | 1/4 | .249 ⁺⁰⁰⁴ / ₊₀₀₀ | 3.000 ⁻⁰⁰¹² / ₋₀₀₄₁ | 3.327 ⁺⁰¹⁰ / ₊₀₀₀ | 3.497 ⁺⁰⁰⁶ / ₊₀₀₀ | 7.23 |
| ST-325-XL | 3-1/4 | 3-3/4 | 1/4 | .249 ⁺⁰⁰⁴ / ₊₀₀₀ | 3.250 ⁻⁰⁰¹⁴ / ₋₀₀₄₈ | 3.577 ⁺⁰¹⁰ / ₊₀₀₀ | 3.747 ⁺⁰⁰⁶ / ₊₀₀₀ | 7.98 |
| ST-350-XL | 3-1/2 | 4 | 1/4 | .249 ⁺⁰⁰⁴ / ₊₀₀₀ | 3.500 ⁻⁰⁰¹⁴ / ₋₀₀₄₈ | 3.827 ⁺⁰¹⁰ / ₊₀₀₀ | 3.997 ⁺⁰⁰⁶ / ₊₀₀₀ | 8.22 |
| ST-375-XL | 3-3/4 | 4-1/4 | 1/4 | .249 ⁺⁰⁰⁴ / ₊₀₀₀ | 3.750 ⁻⁰⁰¹⁴ / ₋₀₀₄₈ | 4.077 ⁺⁰¹⁰ / ₊₀₀₀ | 4.247 ⁺⁰⁰⁶ / ₊₀₀₀ | 9.48 |
| ST-387-XL | 3-7/8 | 4-3/8 | 1/4 | .249 ⁺⁰⁰⁴ / ₊₀₀₀ | 3.875 ⁻⁰⁰¹ / ₋₀₀₅ | 4.202 ⁺⁰¹⁰ / ₊₀₀₀ | 4.372 ⁺⁰⁰⁶ / ₊₀₀₀ | 10.11 |
| ST-400-XL | 4 | 4-1/2 | 1/4 | .249 ⁺⁰⁰⁴ / ₊₀₀₀ | 4.000 ⁻⁰⁰¹⁴ / ₋₀₀₄₈ | 4.327 ⁺⁰¹⁰ / ₊₀₀₀ | 4.497 ⁺⁰⁰⁶ / ₊₀₀₀ | 10.74 |
| ST-425-XL | 4-1/4 | 4-3/4 | 1/4 | .249 ⁺⁰⁰⁴ / ₊₀₀₀ | 4.250 ⁻⁰⁰¹⁴ / ₋₀₀₄₈ | 4.577 ⁺⁰¹⁰ / ₊₀₀₀ | 4.747 ⁺⁰⁰⁶ / ₊₀₀₀ | 11.37 |
| ST-450A-XL | 4-1/2 | 5 | 1/4 | .249 ⁺⁰⁰⁴ / ₊₀₀₀ | 4.500 ⁻⁰⁰¹ / ₋₀₀₅ | 4.827 ⁺⁰¹⁰ / ₊₀₀₀ | 4.997 ⁺⁰⁰⁶ / ₊₀₀₀ | 11.22 |
| ST-450-XL | 4-1/2 | 5-1/4 | 3/8 | .374 ⁺⁰⁰⁴ / ₊₀₀₀ | 4.500 ⁻⁰⁰¹⁴ / ₋₀₀₄₈ | 4.993 ⁺⁰¹⁰ / ₊₀₀₀ | 5.247 ⁺⁰⁰⁶ / ₊₀₀₀ | 11.99 |
| ST-475-XL | 4-3/4 | 5-1/2 | 3/8 | .374 ⁺⁰⁰⁴ / ₊₀₀₀ | 4.750 ⁻⁰⁰¹⁷ / ₋₀₀₅₆ | 5.243 ⁺⁰¹⁰ / ₊₀₀₀ | 5.497 ⁺⁰⁰⁶ / ₊₀₀₀ | 15.04 |
| ST-500-XL | 5 | 5-3/4 | 3/8 | .374 ⁺⁰⁰⁴ / ₊₀₀₀ | 5.000 ⁻⁰⁰¹⁷ / ₋₀₀₅₆ | 5.493 ⁺⁰¹⁰ / ₊₀₀₀ | 5.747 ⁺⁰⁰⁶ / ₊₀₀₀ | 18.08 |
| ST-525-XL | 5-1/4 | 6 | 3/8 | .374 ⁺⁰⁰⁴ / ₊₀₀₀ | 5.250 ⁻⁰⁰¹⁷ / ₋₀₀₅₆ | 5.743 ⁺⁰¹⁰ / ₊₀₀₀ | 5.997 ⁺⁰⁰⁶ / ₊₀₀₀ | 20.68 |
| ST-550-XL | 5-1/2 | 6-1/4 | 3/8 | .374 ⁺⁰⁰⁴ / ₊₀₀₀ | 5.500 ⁻⁰⁰¹⁷ / ₋₀₀₅₆ | 5.993 ⁺⁰¹⁰ / ₊₀₀₀ | 6.247 ⁺⁰⁰⁶ / ₊₀₀₀ | 20.82 |
| ST-575-XL | 5-3/4 | 6-1/2 | 3/8 | .374 ⁺⁰⁰⁴ / ₊₀₀₀ | 5.750 ⁻⁰⁰¹⁷ / ₋₀₀₅₆ | 6.243 ⁺⁰¹⁰ / ₊₀₀₀ | 6.497 ⁺⁰⁰⁶ / ₊₀₀₀ | 22.67 |
| ST-600-XL | 6 | 6-3/4 | 3/8 | .374 ⁺⁰⁰⁴ / ₊₀₀₀ | 6.000 ⁻⁰⁰¹⁷ / ₋₀₀₅₆ | 6.493 ⁺⁰¹⁰ / ₊₀₀₀ | 6.747 ⁺⁰⁰⁶ / ₊₀₀₀ | 24.52 |
| ST-650-XL | 6-1/2 | 7-1/4 | 3/8 | .374 ⁺⁰⁰⁴ / ₊₀₀₀ | 6.500 ⁻⁰⁰¹⁷ / ₋₀₀₅₆ | 6.993 ⁺⁰¹⁰ / ₊₀₀₀ | 7.247 ⁺⁰⁰⁶ / ₊₀₀₀ | 20.55 |
| ST-700-XL | 7 | 7-3/4 | 3/8 | .374 ⁺⁰⁰⁴ / ₊₀₀₀ | 7.000 ⁻⁰⁰¹⁷ / ₋₀₀₅₆ | 7.493 ⁺⁰¹⁰ / ₊₀₀₀ | 7.747 ⁺⁰⁰⁶ / ₊₀₀₀ | 22.61 |
| ST-750-XL | 7-1/2 | 8-1/4 | 3/8 | .374 ⁺⁰⁰⁴ / ₊₀₀₀ | 7.500 ⁻⁰⁰²⁰ / ₋₀₀₆₅ | 7.993 ⁺⁰¹⁰ / ₊₀₀₀ | 8.247 ⁺⁰⁰⁶ / ₊₀₀₀ | 25.97 |
| ST-800-XL | 8 | 8-3/4 | 3/8 | .374 ⁺⁰⁰⁴ / ₊₀₀₀ | 8.000 ⁻⁰⁰²⁰ / ₋₀₀₆₅ | 8.493 ⁺⁰¹⁰ / ₊₀₀₀ | 8.747 ⁺⁰⁰⁶ / ₊₀₀₀ | 27.44 |
| ST-825-XL | 8-1/4 | 9 | 3/8 | .374 ⁺⁰⁰⁴ / ₊₀₀₀ | 8.250 ⁻⁰⁰²⁰ / ₋₀₀₆₅ | 8.743 ⁺⁰¹⁰ / ₊₀₀₀ | 8.997 ⁺⁰⁰⁶ / ₊₀₀₀ | 29.44 |
| ST-850-XL | 8-1/2 | 9-1/4 | 3/8 | .374 ⁺⁰⁰⁴ / ₊₀₀₀ | 8.500 ⁻⁰⁰²⁰ / ₋₀₀₆₅ | 8.993 ⁺⁰¹⁰ / ₊₀₀₀ | 9.247 ⁺⁰⁰⁶ / ₊₀₀₀ | 30.03 |
| ST-900-XL | 9 | 9-3/4 | 3/8 | .374 ⁺⁰⁰⁴ / ₊₀₀₀ | 9.000 ⁻⁰⁰² / ₋₀₀₆ | 9.493 ⁺⁰¹⁰ / ₊₀₀₀ | 9.747 ⁺⁰⁰⁶ / ₊₀₀₀ | 35.86 |
| ST-1000-XL | 10 | 11 | 1/2 | .499 ⁺⁰⁰⁴ / ₊₀₀₀ | 10.000 ⁻⁰⁰²² / ₋₀₀₇₃ | 10.659 ⁺⁰¹⁰ / ₊₀₀₀ | 10.997 ⁺⁰⁰⁶ / ₊₀₀₀ | 41.69 |
| ST-1100-XL | 11 | 12 | 1/2 | .499 ⁺⁰⁰⁴ / ₊₀₀₀ | 11.000 ⁻⁰⁰² / ₋₀₀₇ | 11.659 ⁺⁰¹⁰ / ₊₀₀₀ | 11.997 ⁺⁰⁰⁶ / ₊₀₀₀ | 45.44 |
| ST-1200-XL | 12 | 13 | 1/2 | .499 ⁺⁰⁰⁴ / ₊₀₀₀ | 12.000 ⁻⁰⁰² / ₋₀₀₇ | 12.659 ⁺⁰¹⁰ / ₊₀₀₀ | 12.997 ⁺⁰⁰⁶ / ₊₀₀₀ | 53.56 |

NEW FOR 2016

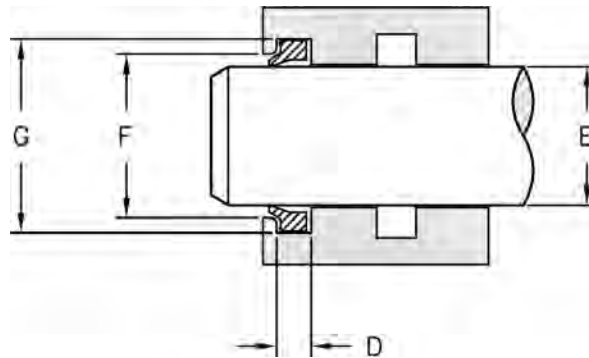
STYLE ST-XL-PM URETHANE WIPER RINGS

Style ST-XL-PM wipers are molded from 55D polyester and are direct replacements for Style "ST", "ST-XL" or "D" wipers. The polyester based material provides a tough abrasion resistant wiper for heavy contaminant environments. The outside diameter of the ring has a crush lip providing extra interference in the groove. A bead on the shoulder stops contaminants from entering through the groove. The inside diameter is ribbed to prevent pressure traps between the wiper and rod seal.



HERCULES PART NUMBERS

ST - 100 - XL - PM
 Prefix Size Extra Lip



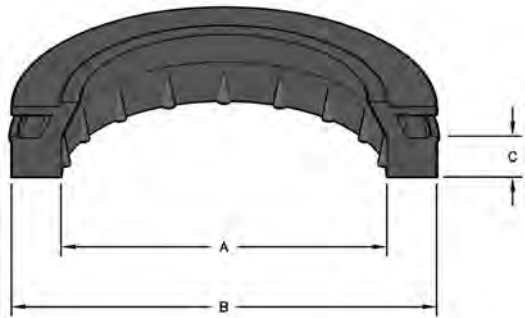
| SEAL INFORMATION | |
|-------------------|-----------------|
| MATERIAL | 55D POLYESTER |
| TEMPERATURE RANGE | -40° TO +250° F |
| SPEED | 12 FT/SEC |

WIPER RINGS

| Part Number | A Nom. ID | B Nom. OD | C Nom. Ht | D GROOVE WIDTH | E ROD DIAMETER | F THROAT DIAMETER | G HOUSING DIAMETER | List Price |
|--------------|--------------|--------------|--------------|--|---|---|---|---------------|
| ST-100-XL-PM | 1 | 1-3/8 | 3/16 | .187 ^{+0.004} / _{+0.000} | 1.000 ^{-0.001} / _{-0.003} | 1.245 ^{+0.010} / _{+0.000} | 1.372 ^{+0.006} / _{+0.000} | \$4.62 |
| ST-137-XL-PM | 1-3/8 | 1-3/4 | 3/16 | .187 ^{+0.004} / _{+0.000} | 1.375 ^{-0.001} / _{-0.003} | 1.620 ^{+0.010} / _{+0.000} | 1.747 ^{+0.006} / _{+0.000} | 5.30 |
| ST-150-XL-PM | 1-1/2 | 1-7/8 | 3/16 | .187 ^{+0.004} / _{+0.000} | 1.500 ^{-0.001} / _{-0.003} | 1.745 ^{+0.010} / _{+0.000} | 1.872 ^{+0.006} / _{+0.000} | 5.59 |
| ST-175-XL-PM | 1-3/4 | 2-1/8 | 3/16 | .187 ^{+0.004} / _{+0.000} | 1.750 ^{-0.001} / _{-0.003} | 1.995 ^{+0.010} / _{+0.000} | 2.122 ^{+0.006} / _{+0.000} | 6.54 |
| ST-200-XL-PM | 2 | 2-1/2 | 1/4 | .249 ^{+0.004} / _{+0.000} | 2.000 ^{-0.001} / _{-0.004} | 2.327 ^{+0.010} / _{+0.000} | 2.497 ^{+0.006} / _{+0.000} | 6.85 |
| ST-225-XL-PM | 2-1/4 | 2-3/4 | 1/4 | .249 ^{+0.004} / _{+0.000} | 2.250 ^{-0.001} / _{-0.004} | 2.577 ^{+0.010} / _{+0.000} | 2.747 ^{+0.006} / _{+0.000} | 7.22 |
| ST-250-XL-PM | 2-1/2 | 3 | 1/4 | .249 ^{+0.004} / _{+0.000} | 2.500 ^{-0.001} / _{-0.004} | 2.827 ^{+0.010} / _{+0.000} | 2.997 ^{+0.006} / _{+0.000} | 8.02 |
| ST-300-XL-PM | 3 | 3-1/2 | 1/4 | .249 ^{+0.004} / _{+0.000} | 3.000 ^{-0.001} / _{-0.004} | 3.327 ^{+0.010} / _{+0.000} | 3.497 ^{+0.006} / _{+0.000} | 8.68 |
| ST-350-XL-PM | 3-1/2 | 4 | 1/4 | .249 ^{+0.004} / _{+0.000} | 3.500 ^{-0.001} / _{-0.005} | 3.827 ^{+0.010} / _{+0.000} | 3.997 ^{+0.006} / _{+0.000} | 9.86 |
| ST-400-XL-PM | 4 | 4-1/2 | 1/4 | .249 ^{+0.004} / _{+0.000} | 4.000 ^{-0.001} / _{-0.005} | 4.327 ^{+0.010} / _{+0.000} | 4.497 ^{+0.006} / _{+0.000} | 12.89 |

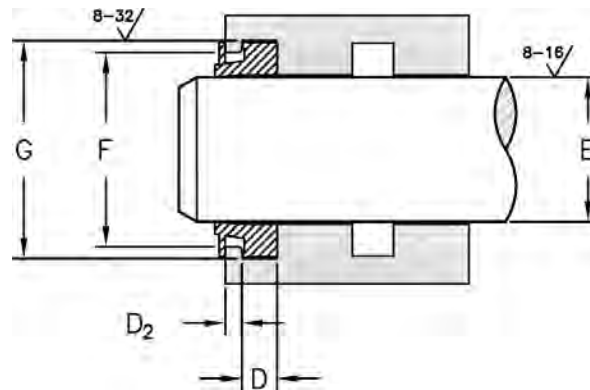
STYLE ST-XLF URETHANE WIPER RINGS

The ST-XLF wipers are designed to fit the standard ST wiper groove. These wipers include a dust lip to prevent contaminants from entering through the groove. They also have a ribbed inside diameter for low friction operation and to prevent pressure traps between the wiper and rod seal.



HERCULES PART NUMBERS

ST - 112 - XLF
 Prefix Size Extra Lip



SEAL INFORMATION

| | |
|-------------------|-----------------|
| MATERIAL | URETHANE |
| TEMPERATURE RANGE | -50°F TO +230°F |
| SPEED | 12 FT/SEC |

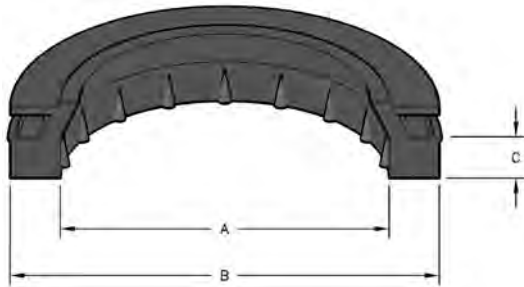
WIPER RINGS

| Part Number | A Nom. ID | B Nom. OD | C Nom. Ht | D GROOVE WIDTH | E ROD DIAMETER | F THROAT DIAMETER | G HOUSING DIAMETER | D ₂ OUTER THROAT DEPTH | List Price |
|-------------|--------------|--------------|--------------|--|---|-------------------------|--------------------------|---|------------|
| ST-112-XLF | 1-1/8 | 1-1/2 | .187 | .187 ^{+0.04} / _{+0.00} | 1.125 ^{-0.001} / _{-0.003} | 1.375 ±.005 | 1.500 ±.003 | .094 ^{+0.004} / _{+0.00} | \$7.38 |
| ST-125-XLF | 1-1/4 | 1-5/8 | .187 | .187 ^{+0.04} / _{+0.00} | 1.250 ^{-0.001} / _{-0.003} | 1.500 ±.005 | 1.625 ±.003 | .094 ^{+0.004} / _{+0.00} | 7.49 |
| ST-137-XLF | 1-3/8 | 1-3/4 | .187 | .187 ^{+0.04} / _{+0.00} | 1.375 ^{-0.001} / _{-0.003} | 1.625 ±.005 | 1.750 ±.003 | .094 ^{+0.004} / _{+0.00} | 7.66 |
| ST-150-XLF | 1-1/2 | 1-7/8 | .187 | .187 ^{+0.04} / _{+0.00} | 1.500 ^{-0.001} / _{-0.003} | 1.750 ±.005 | 1.875 ±.003 | .094 ^{+0.004} / _{+0.00} | 7.91 |
| ST-175-XLF | 1-3/4 | 2-1/8 | .187 | .187 ^{+0.04} / _{+0.00} | 1.750 ^{-0.001} / _{-0.003} | 2.000 ±.005 | 2.125 ±.003 | .094 ^{+0.004} / _{+0.00} | 8.19 |
| ST-200-XLF | 2 | 2-1/2 | 1/4 | .250 ^{+0.04} / _{+0.00} | 2.000 ^{-0.001} / _{-0.004} | 2.332 ±.005 | 2.500 ±.003 | .125 ^{+0.004} / _{+0.00} | 9.29 |
| ST-225-XLF | 2-1/4 | 2-3/4 | 1/4 | .250 ^{+0.04} / _{+0.00} | 2.250 ^{-0.001} / _{-0.004} | 2.582 ±.005 | 2.750 ±.003 | .125 ^{+0.004} / _{+0.00} | 9.70 |
| ST-250-XLF | 2-1/2 | 3 | 1/4 | .250 ^{+0.04} / _{+0.00} | 2.500 ^{-0.001} / _{-0.004} | 2.832 ±.005 | 3.000 ±.003 | .125 ^{+0.004} / _{+0.00} | 10.16 |
| ST-300-XLF | 3 | 3-1/2 | 1/4 | .250 ^{+0.04} / _{+0.00} | 3.000 ^{-0.001} / _{-0.004} | 3.332 ±.005 | 3.500 ±.003 | .125 ^{+0.004} / _{+0.00} | 10.80 |
| ST-350-XLF | 3-1/2 | 4 | 1/4 | .250 ^{+0.04} / _{+0.00} | 3.500 ^{-0.001} / _{-0.005} | 3.832 ±.005 | 4.000 ±.003 | .125 ^{+0.004} / _{+0.00} | 11.44 |
| ST-400-XLF | 4 | 4-1/2 | 1/4 | .250 ^{+0.04} / _{+0.00} | 4.000 ^{-0.001} / _{-0.005} | 4.332 ±.005 | 4.500 ±.003 | .125 ^{+0.004} / _{+0.00} | 12.48 |
| ST-450-XLF | 4-1/2 | 5-1/4 | 3/8 | .375 ^{+0.04} / _{+0.00} | 4.500 ^{-0.001} / _{-0.005} | 4.832 ±.005 | 5.250 ±.003 | .187 ^{+0.004} / _{+0.00} | 14.04 |
| ST-500-XLF | 5 | 5-3/4 | 3/8 | .375 ^{+0.04} / _{+0.00} | 5.000 ^{-0.002} / _{-0.006} | 5.332 ±.005 | 5.750 ±.003 | .187 ^{+0.004} / _{+0.00} | 17.32 |
| ST-600-XLF | 6 | 6-3/4 | 3/8 | .375 ^{+0.04} / _{+0.00} | 6.000 ^{-0.002} / _{-0.006} | 6.498 ±.005 | 6.750 ±.003 | .187 ^{+0.004} / _{+0.00} | 20.91 |

NEW FOR 2016

STYLE ST-XLFT URETHANE WIPER RINGS

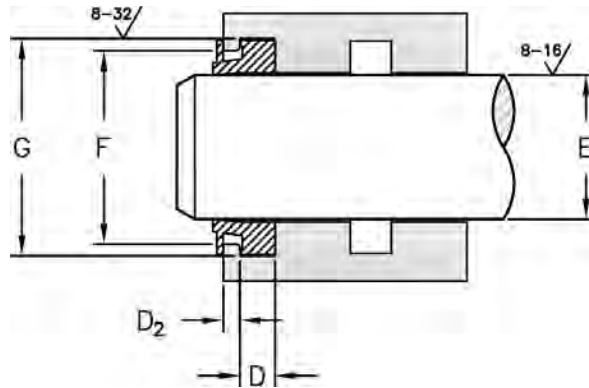
The ST-XLFT was developed for hard environments, particularly longwall mining. These wipers include a dust lip to prevent contaminants from entering through the groove. They also have a ribbed inside diameter for low friction operation and to prevent pressure traps between the wiper and rod seal.



HERCULES PART NUMBERS

ST - 175 - XLFT
 Prefix Size Extra Lip

| SEAL INFORMATION | |
|-------------------|----------------|
| MATERIAL | 93A URETHANE |
| TEMPERATURE RANGE | -50°F - +230°F |
| SPEED | 12 FT/SEC |

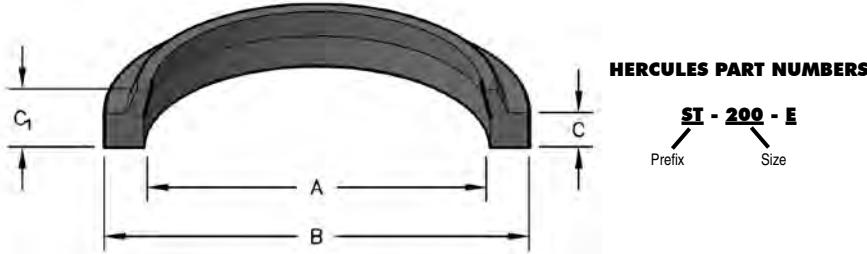


WIPER RINGS

| Part Number | A Nom. ID | B Nom. OD | C Nom. Ht | D GROOVE WIDTH | E ROD DIAMETER | F THROAT DIAMETER | G HOUSING DIAMETER | D ₂ OUTER THROAT DEPTH | List Price |
|-------------|--------------|--------------|--------------|---|--|--|--|---|------------|
| ST-175-XLFT | 1-3/4 | 2-1/8 | .22 | .220 ^{+0.08} / _{+0.00} | 1.750 ^{-0.010} / _{-0.0034} | 1.995 ^{+0.007} / _{+0.00} | 2.125 ^{+0.007} / _{+0.00} | .079 ^{+0.004} / _{+0.00} | \$16.84 |
| ST-200-XLFT | 2 | 2-3/8 | .22 | .220 ^{+0.008} / _{+0.00} | 2.000 ^{-0.012} / _{-0.0041} | 2.245 ^{+0.008} / _{+0.00} | 2.375 ^{+0.008} / _{+0.00} | .079 ^{+0.004} / _{+0.00} | 16.67 |
| ST-250-XLFT | 2-1/2 | 2-7/8 | .22 | .220 ^{+0.008} / _{+0.00} | 2.500 ^{-0.012} / _{-0.0041} | 2.745 ^{+0.008} / _{+0.00} | 2.875 ^{+0.008} / _{+0.00} | .079 ^{+0.004} / _{+0.00} | 20.17 |
| ST-300-XLFT | 3 | 3-3/8 | .22 | .220 ^{+0.008} / _{+0.00} | 3.000 ^{-0.012} / _{-0.0041} | 3.245 ^{+0.009} / _{+0.00} | 3.375 ^{+0.009} / _{+0.00} | .079 ^{+0.004} / _{+0.00} | 22.28 |
| ST-350-XLFT | 3-1/2 | 3-7/8 | .22 | .220 ^{+0.008} / _{+0.00} | 3.500 ^{-0.014} / _{-0.0048} | 3.745 ^{+0.009} / _{+0.00} | 3.875 ^{+0.009} / _{+0.00} | .079 ^{+0.004} / _{+0.00} | 24.44 |
| ST-362-XLFT | 3-5/8 | 4 | .22 | .220 ^{+0.008} / _{+0.00} | 3.625 ^{-0.014} / _{-0.0048} | 3.870 ^{+0.009} / _{+0.00} | 4.000 ^{+0.009} / _{+0.00} | .079 ^{+0.004} / _{+0.00} | 27.59 |
| ST-400-XLFT | 4 | 4-3/8 | .22 | .220 ^{+0.008} / _{+0.00} | 4.000 ^{-0.014} / _{-0.0048} | 4.245 ^{+0.009} / _{+0.00} | 4.375 ^{+0.009} / _{+0.00} | .079 ^{+0.004} / _{+0.00} | 26.44 |
| ST-500-XLFT | 5 | 5-1/2 | 5/16 | .312 ^{+0.008} / _{+0.00} | 5.000 ^{-0.017} / _{-0.0056} | 5.340 ^{+0.010} / _{+0.00} | 5.500 ^{+0.010} / _{+0.00} | .080 ^{+0.004} / _{+0.00} | 34.56 |
| ST-525-XLFT | 5-1/4 | 5-3/4 | 5/16 | .312 ^{+0.008} / _{+0.00} | 5.250 ^{-0.017} / _{-0.0056} | 5.590 ^{+0.010} / _{+0.00} | 5.750 ^{+0.010} / _{+0.00} | .080 ^{+0.004} / _{+0.00} | 36.50 |
| ST-600-XLFT | 6 | 6-1/2 | 5/16 | .312 ^{+0.008} / _{+0.00} | 6.000 ^{-0.017} / _{-0.0056} | 6.340 ^{+0.010} / _{+0.00} | 6.500 ^{+0.010} / _{+0.00} | .080 ^{+0.004} / _{+0.00} | 40.44 |
| ST-700-XLFT | 7 | 7-1/2 | 5/16 | .312 ^{+0.008} / _{+0.00} | 7.000 ^{-0.017} / _{-0.0056} | 7.340 ^{+0.011} / _{+0.00} | 7.500 ^{+0.011} / _{+0.00} | .080 ^{+0.004} / _{+0.00} | 47.72 |
| ST-703-XLFT | 7 | 7-3/4 | 1/2 | .500 ^{+0.008} / _{+0.00} | 7.000 ^{-0.017} / _{-0.0056} | 7.495 ^{+0.011} / _{+0.00} | 7.750 ^{+0.011} / _{+0.00} | .100 ^{+0.004} / _{+0.00} | 74.78 |
| ST-800-XLFT | 8 | 8-1/2 | 5/16 | .312 ^{+0.008} / _{+0.00} | 8.000 ^{-0.020} / _{-0.0065} | 8.340 ^{+0.011} / _{+0.00} | 8.500 ^{+0.011} / _{+0.00} | .080 ^{+0.004} / _{+0.00} | 51.44 |

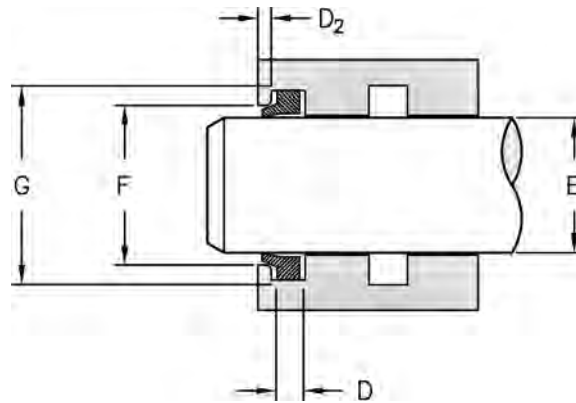
STYLE ST-E WIPER RINGS

Style ST-E is a light to medium duty urethane wiper ring with a square shoulder, similar to our standard ST style wipers but with different dimensions.



SEAL INFORMATION

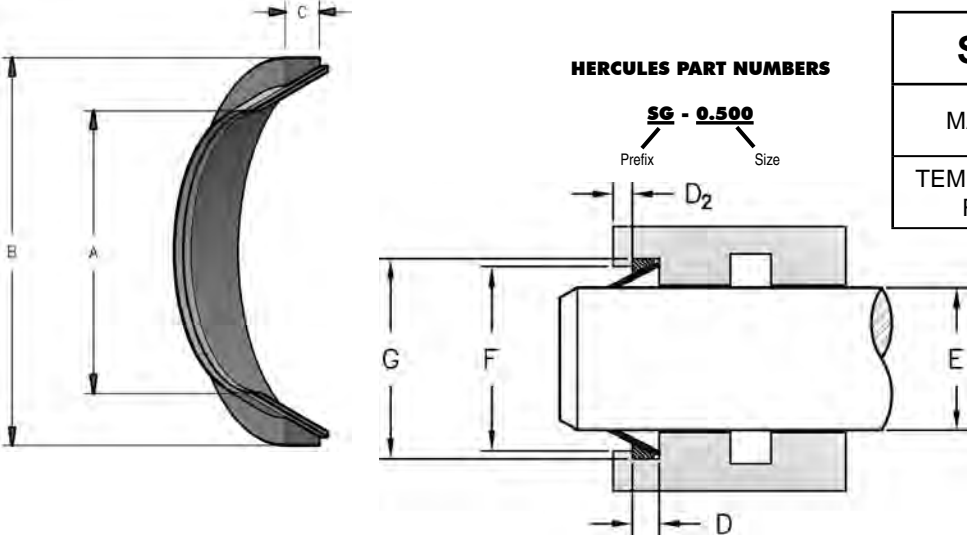
| | |
|-------------------|-----------------|
| MATERIAL | URETHANE |
| TEMPERATURE RANGE | -31° TO +212° F |
| SPEED | 3 FT/SEC |



| Part Number | A Nom. ID | B Nom. OD | C Nom. Ht | C ₁ OVERALL HEIGHT | D GROOVE WIDTH | E ROD DIAMETER | F THROAT DIAMETER | G HOUSING DIAMETER | D ₂ OUTER THROAT DEPTH | List Price |
|-------------|--------------|--------------|--------------|----------------------------------|--|---|--|---|--------------------------------------|------------|
| ST-200-E | 2 | 2.46 | 3/16 | .3125 | .187 ^{+0.04} / _{+0.00} | 2.000 ^{-0.012} / _{-0.041} | 2.230 ^{+0.008} / _{+0.00} | 2.460 ^{+0.008} / _{+0.00} | .250 | \$38.05 |
| ST-275-E | 2-3/4 | 3-3/16 | 3/16 | .3125 | .187 ^{+0.04} / _{+0.00} | 2.750 ^{-0.012} / _{-0.041} | 2.980 ^{+0.008} / _{+0.00} | 3.1875 ^{+0.008} / _{+0.00} | .250 | 14.58 |
| ST-300-E | 3 | 3-1/2 | 3/16 | .3125 | .187 ^{+0.04} / _{+0.00} | 3.000 ^{-0.012} / _{-0.041} | 3.278 ^{+0.008} / _{+0.00} | 3.500 ^{+0.008} / _{+0.00} | .3125 | 18.66 |
| ST-350-E | 3-1/2 | 4-1/16 | 3/16 | .3125 | .187 ^{+0.04} / _{+0.00} | 3.500 ^{-0.014} / _{-0.048} | 3.850 ^{+0.008} / _{+0.00} | 4.0625 ^{+0.008} / _{+0.00} | .395 | 19.82 |
| ST-362-E | 3-5/8 | 4-3/16 | 3/16 | .3125 | .187 ^{+0.04} / _{+0.00} | 3.625 ^{-0.014} / _{-0.048} | 3.950 ^{+0.008} / _{+0.00} | 4.1875 ^{+0.008} / _{+0.00} | .375 | 20.68 |
| ST-437-E | 4-3/8 | 4.9 | 3/16 | .3125 | .187 ^{+0.04} / _{+0.00} | 4.375 ^{-0.014} / _{-0.048} | 4.697 ^{+0.008} / _{+0.00} | 4.900 ^{+0.008} / _{+0.00} | .346 | 22.01 |
| ST-525-E | 5-1/4 | 5.84 | 3/16 | .3125 | .187 ^{+0.04} / _{+0.00} | 5.250 ^{-0.017} / _{-0.056} | 5.602 ^{+0.008} / _{+0.00} | 5.840 ^{+0.008} / _{+0.00} | .407 | 24.78 |
| ST-631-E | 6-5/16 | 6.9 | 3/16 | .3125 | .187 ^{+0.04} / _{+0.00} | 6.312 ^{-0.017} / _{-0.056} | 6.665 ^{+0.008} / _{+0.00} | 6.900 ^{+0.008} / _{+0.00} | .407 | 29.30 |
| ST-731-E | 7-5/16 | 7.9 | 3/16 | .3125 | .187 ^{+0.04} / _{+0.00} | 7.312 ^{-0.020} / _{-0.065} | 7.665 ^{+0.008} / _{+0.00} | 7.900 ^{+0.008} / _{+0.00} | .407 | 32.21 |
| ST-837-E | 8-3/8 | 8.97 | 3/16 | .3125 | .187 ^{+0.04} / _{+0.00} | 8.375 ^{-0.020} / _{-0.065} | 8.665 ^{+0.008} / _{+0.00} | 8.970 ^{+0.008} / _{+0.00} | .407 | 74.33 |

STYLE SG - "SEAL GUARD" METALLIC ROD WIPERS

Each Seal Guard Wiper consists of two flexible bronze rings which are held in place by a nitrile cushion ring. The cushion ring absorbs side loads and energizes the wiper to maintain close contact with the rod. Particularly suited for hostile environments, seal guard wipers shave off sand, grift, slag, flux, paint, moisture, chips and slivers. Seal Guard Wipers are long-lasting, self-adjusting, and offer low friction. Seal Guard Wipers can be installed in standard Hercules® Sealing Products "ST" or "D" Style grooves by increasing the "F" gland dimension to the "F" Throat Diameter shown.



| SEAL INFORMATION | |
|-------------------|---------------------------|
| MATERIAL | 660 BRONZE 70A NITRILE |
| TEMPERATURE RANGE | -40° TO +240° F |

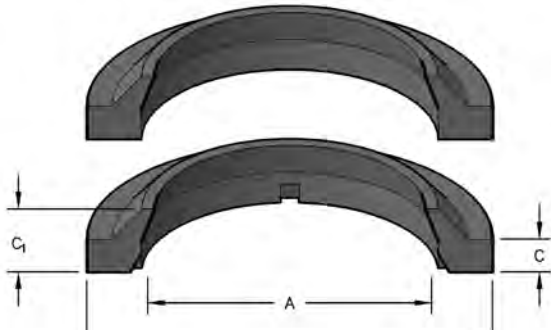
WIPER RINGS

| Part Number | A Nom. ID | B Nom. OD | C Nom. Ht | D GROOVE WIDTH | E ROD DIAMETER | F THROAT DIAMETER | G HOUSING DIAMETER | D ₂ OUTER THROAT DEPTH | List Price |
|-------------|--------------|--------------|--------------|--|---|---|---|--|------------|
| SG-0.500 | 1/2 | 3/4 | 1/8 | .124 ^{+0.004} / _{+0.000} | .500 ^{+0.001} / _{-0.002} | .704 ^{+0.000} / _{-0.010} | .747 ^{+0.006} / _{+0.000} | .018 ^{+0.015} / _{+0.000} | \$ 18.74 |
| SG-0.625 | 5/8 | 7/8 | 1/8 | .124 ^{+0.004} / _{+0.000} | .625 ^{+0.001} / _{-0.002} | .829 ^{+0.000} / _{-0.010} | .872 ^{+0.006} / _{+0.000} | .018 ^{+0.015} / _{+0.000} | 22.2667 |
| SG-0.750 | 3/4 | 1-1/8 | 3/16 | .187 ^{+0.004} / _{+0.000} | .750 ^{+0.001} / _{-0.002} | 1.072 ^{+0.000} / _{-0.010} | 1.122 ^{+0.006} / _{+0.000} | .022 ^{+0.015} / _{+0.000} | 19.09 |
| SG-0.875 | 7/8 | 1-1/4 | 3/16 | .187 ^{+0.004} / _{+0.000} | .875 ^{+0.001} / _{-0.002} | 1.197 ^{+0.000} / _{-0.010} | 1.247 ^{+0.006} / _{+0.000} | .022 ^{+0.015} / _{+0.000} | 19.88 |
| SG-1.000 | 1 | 1-3/8 | 3/16 | .187 ^{+0.004} / _{+0.000} | 1.000 ^{+0.001} / _{-0.002} | 1.322 ^{+0.000} / _{-0.010} | 1.372 ^{+0.006} / _{+0.000} | .022 ^{+0.015} / _{+0.000} | 20.88 |
| SG-1.125 | 1-1/8 | 1-1/2 | 3/16 | .187 ^{+0.004} / _{+0.000} | 1.125 ^{+0.001} / _{-0.002} | 1.447 ^{+0.000} / _{-0.010} | 1.497 ^{+0.006} / _{+0.000} | .022 ^{+0.015} / _{+0.000} | 23.46 |
| SG-1.250 | 1-1/4 | 1-5/8 | 3/16 | .187 ^{+0.004} / _{+0.000} | 1.250 ^{+0.001} / _{-0.002} | 1.572 ^{+0.000} / _{-0.010} | 1.622 ^{+0.006} / _{+0.000} | .022 ^{+0.015} / _{+0.000} | 26.04 |
| SG-1.375 | 1-3/8 | 1-3/4 | 3/16 | .187 ^{+0.004} / _{+0.000} | 1.375 ^{+0.001} / _{-0.002} | 1.697 ^{+0.000} / _{-0.010} | 1.747 ^{+0.006} / _{+0.000} | .022 ^{+0.015} / _{+0.000} | 28.61 |
| SG-1.500 | 1-1/2 | 1-7/8 | 3/16 | .187 ^{+0.004} / _{+0.000} | 1.500 ^{+0.001} / _{-0.002} | 1.822 ^{+0.000} / _{-0.010} | 1.872 ^{+0.006} / _{+0.000} | .022 ^{+0.015} / _{+0.000} | 31.26 |
| SG-1.625 | 1-5/8 | 2 | 3/16 | .187 ^{+0.004} / _{+0.000} | 1.625 ^{+0.001} / _{-0.002} | 1.947 ^{+0.000} / _{-0.010} | 1.997 ^{+0.006} / _{+0.000} | .022 ^{+0.015} / _{+0.000} | 35.50 |
| SG-1.750 | 1-3/4 | 2-1/8 | 3/16 | .187 ^{+0.004} / _{+0.000} | 1.750 ^{+0.001} / _{-0.002} | 2.072 ^{+0.000} / _{-0.010} | 2.122 ^{+0.006} / _{+0.000} | .022 ^{+0.015} / _{+0.000} | 36.39 |
| SG-2.000 | 2 | 2-1/2 | 1/4 | .249 ^{+0.004} / _{+0.000} | 2.000 ^{+0.001} / _{-0.002} | 2.430 ^{+0.000} / _{-0.010} | 2.497 ^{+0.006} / _{+0.000} | .030 ^{+0.015} / _{+0.000} | 42.47 |
| SG-2.250 | 2-1/4 | 2-3/4 | 1/4 | .249 ^{+0.004} / _{+0.000} | 2.250 ^{+0.001} / _{-0.002} | 2.680 ^{+0.000} / _{-0.010} | 2.747 ^{+0.006} / _{+0.000} | .030 ^{+0.015} / _{+0.000} | 47.58 |
| SG-2.500 | 2-1/2 | 3 | 1/4 | .249 ^{+0.004} / _{+0.000} | 2.500 ^{+0.001} / _{-0.002} | 2.930 ^{+0.000} / _{-0.010} | 2.997 ^{+0.006} / _{+0.000} | .030 ^{+0.015} / _{+0.000} | 52.84 |
| SG-3.000 | 3 | 3-1/2 | 1/4 | .249 ^{+0.004} / _{+0.000} | 3.000 ^{+0.001} / _{-0.002} | 3.430 ^{+0.000} / _{-0.010} | 3.497 ^{+0.006} / _{+0.000} | .030 ^{+0.015} / _{+0.000} | 63.93 |
| SG-3.500 | 3-1/2 | 4 | 1/4 | .249 ^{+0.004} / _{+0.000} | 3.500 ^{+0.001} / _{-0.002} | 3.930 ^{+0.000} / _{-0.010} | 3.997 ^{+0.006} / _{+0.000} | .030 ^{+0.015} / _{+0.000} | 106.59 |
| SG-4.000 | 4 | 4-1/2 | 1/4 | .249 ^{+0.004} / _{+0.000} | 4.000 ^{+0.001} / _{-0.002} | 4.430 ^{+0.000} / _{-0.010} | 4.497 ^{+0.006} / _{+0.000} | .030 ^{+0.015} / _{+0.000} | 127.28 |

FORMERLY LISTED SEALS ARE AVAILABLE ONLINE AT WWW.HERCULESUS.COM
OR BY CONTACTING YOUR REGIONAL HERCULES SALES TEAM.

STYLE AN URETHANE WIPER RINGS

Suffix "SH" designates slotted heel design, "V" designates fluorocarbon material, and "B" designates carboxilated nitrile material.

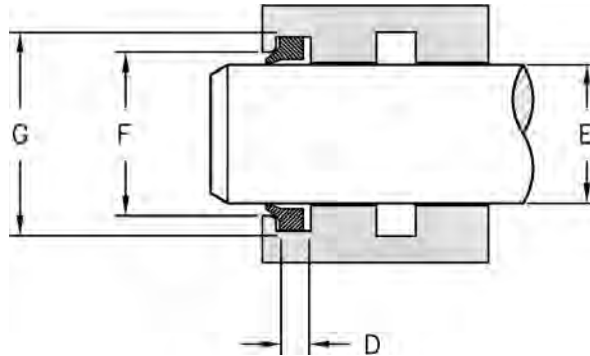


HERCULES PART NUMBERS

AN - 01
Prefix Size

SEAL INFORMATION

| | |
|-------------------|-----------------|
| MATERIAL | 90A URETHANE |
| TEMPERATURE RANGE | -40° TO +200° F |
| SPEED | 3 FT/SEC |



WIPER RINGS

| Part Number | A Nom. ID | B Nom. OD | C Nom. Ht | C ₁ OVERALL HEIGHT | D GROOVE WIDTH | E ROD DIAMETER | F THROAT DIAMETER | G HOUSING DIAMETER | th THICKNESS | List Price |
|-------------|--------------|--------------|--------------|----------------------------------|----------------------|--|---|---|-----------------|---------------|
| AN-01 | 1/2 | 3/4 | 7/64 | .187 | .107 ±.003 | .500 ^{+.000} _{-.002} | .647 ^{+.005} _{+.000} | .760 ^{+.004} _{+.000} | .104 | \$1.12 |
| AN-01-SH | 1/2 | 3/4 | 7/64 | .187 | .107 ±.003 | .500 ^{+.000} _{-.002} | .647 ^{+.005} _{+.000} | .760 ^{+.004} _{+.000} | .104 | 1.12 |
| AN-02 | 9/16 | 13/16 | 7/64 | .187 | .107 ±.003 | .562 ^{+.000} _{-.002} | .710 ^{+.005} _{+.000} | .823 ^{+.004} _{+.000} | .104 | 1.12 |
| AN-03 | 5/8 | 7/8 | 7/64 | .187 | .107 ±.003 | .625 ^{+.000} _{-.002} | .772 ^{+.005} _{+.000} | .885 ^{+.004} _{+.000} | .104 | 1.12 |
| AN-03-SH | 5/8 | 7/8 | 7/64 | .187 | .107 ±.003 | .625 ^{+.000} _{-.002} | .772 ^{+.005} _{+.000} | .885 ^{+.004} _{+.000} | .104 | 1.12 |
| AN-04 | 11/16 | 15/16 | 7/64 | .187 | .107 ±.003 | .687 ^{+.000} _{-.002} | .834 ^{+.005} _{+.000} | .948 ^{+.004} _{+.000} | .104 | 1.12 |
| AN-05 | 3/4 | 1 | 7/64 | .187 | .107 ±.003 | .750 ^{+.000} _{-.002} | .897 ^{+.005} _{+.000} | 1.010 ^{+.004} _{+.000} | .104 | 1.12 |
| AN-05-N | 3/4 | 1 | 7/64 | .187 | .107 ±.003 | .750 ^{+.000} _{-.002} | .897 ^{+.005} _{+.000} | 1.010 ^{+.004} _{+.000} | .104 | 3.19 |
| AN-05-SH | 3/4 | 1 | 7/64 | .187 | .107 ±.003 | .750 ^{+.000} _{-.002} | .897 ^{+.005} _{+.000} | 1.010 ^{+.004} _{+.000} | .104 | 1.12 |
| AN-05V | 3/4 | 1 | 7/64 | .187 | .107 ±.003 | .750 ^{+.000} _{-.002} | .897 ^{+.005} _{+.000} | 1.010 ^{+.004} _{+.000} | .104 | 9.78 |
| AN-06 | 13/16 | 1-1/16 | 7/64 | .187 | .107 ±.003 | .812 ^{+.000} _{-.002} | .960 ^{+.005} _{+.000} | 1.084 ^{+.004} _{+.000} | .104 | 1.20 |
| AN-06-SH | 13/16 | 1-1/16 | 7/64 | .187 | .107 ±.003 | .812 ^{+.000} _{-.002} | .960 ^{+.005} _{+.000} | 1.084 ^{+.004} _{+.000} | .104 | 1.20 |
| AN-07 | 7/8 | 1-1/8 | 7/64 | .187 | .107 ±.003 | .875 ^{+.000} _{-.002} | 1.023 ^{+.005} _{+.000} | 1.147 ^{+.004} _{+.000} | .104 | 1.20 |
| AN-07-SH | 7/8 | 1-1/8 | 7/64 | .187 | .107 ±.003 | .875 ^{+.000} _{-.002} | 1.023 ^{+.005} _{+.000} | 1.147 ^{+.004} _{+.000} | .104 | 1.20 |



STYLE AN URETHANE WIPER RINGS

WIPER RINGS

| Part Number | A Nom. ID | B Nom. OD | C Nom. Ht | C ₁ OVERALL HEIGHT | D GROOVE WIDTH | E ROD DIAMETER | F THROAT DIAMETER | G HOUSING DIAMETER | th THICKNESS | List Price |
|-------------|--------------|--------------|--------------|----------------------------------|-------------------|---|---|---|-----------------|------------|
| AN-07A | 7/8 | 1-1/8 | 7/64 | .140 | .107 ±.003 | .875 ^{+0.00} _{-.002} | 1.023 ^{+0.005} _{+0.000} | 1.118 ^{+0.004} _{+0.000} | .104 | 2.39 |
| AN-07A-T | 7/8 | 1-1/8 | 7/64 | .140 | .107 ±.003 | .875 ^{+0.00} _{-.002} | 1.023 ^{+0.005} _{+0.000} | 1.118 ^{+0.004} _{+0.000} | .104 | 14.36 |
| AN-08 | 15/16 | 1-3/16 | 7/64 | .187 | .107 ±.003 | .937 ^{+0.00} _{-.002} | 1.085 ^{+0.005} _{+0.000} | 1.209 ^{+0.004} _{+0.000} | .104 | 1.20 |
| AN-09 | 1 | 1-1/4 | 7/64 | .187 | .107 ±.003 | 1.000 ^{+0.00} _{-.002} | 1.148 ^{+0.005} _{+0.000} | 1.272 ^{+0.004} _{+0.000} | .104 | 1.20 |
| AN-09-SH | 1 | 1-1/4 | 7/64 | .187 | .107 ±.003 | 1.000 ^{+0.00} _{-.002} | 1.148 ^{+0.005} _{+0.000} | 1.272 ^{+0.004} _{+0.000} | .104 | 1.20 |
| AN-09B | 1 | 1-1/4 | 7/64 | .187 | .107 ±.003 | 1.000 ^{+0.00} _{-.002} | .148 ^{+0.005} _{+0.000} | 1.272 ^{+0.004} _{+0.000} | .104 | 3.29 |
| AN-09V | 1 | 1-1/4 | 7/64 | .187 | .107 ±.003 | 1.000 ^{+0.00} _{-.002} | 1.148 ^{+0.005} _{+0.000} | 1.272 ^{+0.004} _{+0.000} | .104 | 15.63 |
| AN-10 | 1-1/16 | 1-5/16 | 7/64 | .187 | .107 ±.003 | 1.062 ^{+0.00} _{-.002} | 1.210 ^{+0.005} _{+0.000} | 1.334 ^{+0.004} _{+0.000} | .104 | 1.20 |
| AN-11 | 1-1/8 | 1-3/8 | 7/64 | .187 | .107 ±.003 | 1.125 ^{+0.00} _{-.002} | 1.273 ^{+0.005} _{+0.000} | 1.397 ^{+0.004} _{+0.000} | .104 | 1.25 |
| AN-11-SH | 1-1/8 | 1-3/8 | 7/64 | .187 | .107 ±.003 | 1.125 ^{+0.00} _{-.002} | 1.273 ^{+0.005} _{+0.000} | 1.397 ^{+0.004} _{+0.000} | .104 | 1.25 |
| AN-12 | 1-3/16 | 1-7/16 | 7/64 | .187 | .107 ±.003 | 1.187 ^{+0.00} _{-.002} | 1.335 ^{+0.005} _{+0.000} | 1.459 ^{+0.004} _{+0.000} | .104 | 1.25 |
| AN-13B | 1-1/4 | 1-1/2 | .104 | .150 | .107 ±.003 | 1.250 ^{+0.00} _{-.002} | 1.398 ^{+0.005} _{+0.000} | 1.522 ^{+0.004} _{+0.000} | .104 | 7.26 |
| AN-13 | 1-1/4 | 1-1/2 | 7/64 | .187 | .107 ±.003 | 1.250 ^{+0.00} _{-.002} | 1.398 ^{+0.005} _{+0.000} | 1.522 ^{+0.004} _{+0.000} | .104 | 1.30 |
| AN-13-SH | 1-1/4 | 1-1/2 | 7/64 | .187 | .107 ±.003 | 1.250 ^{+0.00} _{-.002} | 1.398 ^{+0.005} _{+0.000} | 1.522 ^{+0.004} _{+0.000} | .104 | 1.30 |
| AN-13V | 1-1/4 | 1-1/2 | 7/64 | .187 | .107 ±.003 | 1.250 ^{+0.00} _{-.002} | 1.398 ^{+0.005} _{+0.000} | 1.522 ^{+0.004} _{+0.000} | .104 | 11.27 |
| AN-14 | 1-5/16 | 1-5/8 | 7/64 | .187 | .107 ±.003 | 1.312 ^{+0.00} _{-.002} | 1.480 ^{+0.005} _{+0.000} | 1.614 ^{+0.004} _{+0.000} | .104 | 1.30 |
| AN-15 | 1-3/8 | 1-11/16 | 7/64 | .187 | .107 ±.003 | 1.375 ^{+0.00} _{-.002} | 1.542 ^{+0.005} _{+0.000} | 1.677 ^{+0.004} _{+0.000} | .104 | 1.72 |
| AN-15-SH | 1-3/8 | 1-11/16 | 7/64 | .187 | .107 ±.003 | 1.375 ^{+0.00} _{-.002} | 1.542 ^{+0.005} _{+0.000} | 1.677 ^{+0.004} _{+0.000} | .104 | 1.72 |
| AN-15V | 1-3/8 | 1-11/16 | 7/64 | .187 | .107 ±.003 | 1.375 ^{+0.00} _{-.002} | 1.542 ^{+0.005} _{+0.000} | 1.677 ^{+0.004} _{+0.000} | .104 | 16.70 |
| AN-16 | 1-7/16 | 1-3/4 | 7/64 | .187 | .107 ±.003 | 1.437 ^{+0.00} _{-.002} | 1.605 ^{+0.005} _{+0.000} | 1.739 ^{+0.004} _{+0.000} | .104 | 1.90 |
| AN-17A | 1-1/2 | 1-3/4 | 7/64 | .140 | .107 ±.003 | 1.500 ^{+0.00} _{-.002} | 1.668 ^{+0.005} _{+0.000} | 1.738 ^{+0.005} _{+0.000} | .104 | 3.84 |
| AN-17 | 1-1/2 | 1-13/16 | 7/64 | .187 | .107 ±.003 | 1.500 ^{+0.00} _{-.002} | 1.668 ^{+0.005} _{+0.000} | 1.802 ^{+0.004} _{+0.000} | .104 | 1.93 |
| AN-17-SH | 1-1/2 | 1-13/16 | 7/64 | .187 | .107 ±.003 | 1.500 ^{+0.00} _{-.002} | 1.668 ^{+0.005} _{+0.000} | 1.802 ^{+0.004} _{+0.000} | .104 | 1.93 |
| AN-17V | 1-1/2 | 1-13/16 | 7/64 | .187 | .107 ±.003 | 1.500 ^{+0.00} _{-.002} | 1.668 ^{+0.005} _{+0.000} | 1.802 ^{+0.004} _{+0.000} | .104 | 13.78 |
| AN-18 | 1-5/8 | 1-15/16 | 7/64 | .187 | .107 ±.003 | 1.625 ^{+0.00} _{-.002} | 1.793 ^{+0.005} _{+0.000} | 1.927 ^{+0.004} _{+0.000} | .104 | 2.02 |
| AN-18-SH | 1-5/8 | 1-15/16 | 7/64 | .187 | .107 ±.003 | 1.625 ^{+0.00} _{-.002} | 1.793 ^{+0.005} _{+0.000} | 1.927 ^{+0.004} _{+0.000} | .104 | 2.02 |
| AN-19 | 1-3/4 | 2-1/16 | 7/64 | .187 | .107 ±.003 | 1.750 ^{+0.00} _{-.002} | 1.918 ^{+0.005} _{+0.000} | 2.052 ^{+0.004} _{+0.000} | .104 | 2.02 |
| AN-19-SH | 1-3/4 | 2-1/16 | 7/64 | .187 | .107 ±.003 | 1.750 ^{+0.00} _{-.002} | 1.918 ^{+0.005} _{+0.000} | 2.052 ^{+0.004} _{+0.000} | .104 | 2.02 |
| AN-20 | 1-7/8 | 2-1/8 | 7/64 | .187 | .107 ±.003 | 1.875 ^{+0.00} _{-.002} | 2.043 ^{+0.005} _{+0.000} | 2.117 ^{+0.004} _{+0.000} | .104 | 2.06 |
| AN-21 | 2 | 2-5/16 | 7/64 | .187 | .107 ±.003 | 2.000 ^{+0.00} _{-.002} | 2.178 ^{+0.005} _{+0.000} | 2.302 ^{+0.004} _{+0.000} | .104 | 2.06 |

FORMERLY LISTED SEALS ARE AVAILABLE ONLINE AT WWW.HERCULESUS.COM
OR BY CONTACTING YOUR REGIONAL HERCULES SALES TEAM.



STYLE AN URETHANE WIPER RINGS

WIPER RINGS

| Part Number | A Nom. ID | B Nom. OD | C Nom. Ht | C ₁ OVERALL HEIGHT | D GROOVE WIDTH | E ROD DIAMETER | F THROAT DIAMETER | G HOUSING DIAMETER | th THICKNESS | List Price |
|-------------|--------------|--------------|--------------|----------------------------------|-------------------|--|---|---|-----------------|------------|
| AN-21-SH | 2 | 2-5/16 | 7/64 | .187 | .107 ±.003 | 2.000 ^{+0.000} _{-.002} | 2.178 ^{+0.005} _{+0.000} | 2.302 ^{+0.004} _{+0.000} | .104 | 2.06 |
| AN-21V | 2 | 2-5/16 | 7/64 | .187 | .107 ±.003 | 2.000 ^{+0.000} _{-.002} | 2.178 ^{+0.005} _{+0.000} | 2.302 ^{+0.004} _{+0.000} | .104 | 17.35 |
| AN-22 | 2-1/8 | 2-7/16 | 7/64 | .187 | .107 ±.003 | 2.125 ^{+0.000} _{-.003} | 2.303 ^{+0.005} _{+0.000} | 2.427 ^{+0.004} _{+0.000} | .104 | 2.11 |
| AN-22-SH | 2-1/8 | 2-7/16 | 7/64 | .187 | .107 ±.003 | 2.125 ^{+0.000} _{-.003} | 2.303 ^{+0.005} _{+0.000} | 2.427 ^{+0.004} _{+0.000} | .104 | 2.11 |
| AN-23 | 2-1/4 | 2-9/16 | 7/64 | .187 | .107 ±.003 | 2.250 ^{+0.000} _{-.003} | 2.428 ^{+0.005} _{+0.000} | 2.552 ^{+0.004} _{+0.000} | .104 | 2.19 |
| AN-23-SH | 2-1/4 | 2-9/16 | 7/64 | .187 | .107 ±.003 | 2.250 ^{+0.000} _{-.003} | 2.428 ^{+0.005} _{+0.000} | 2.552 ^{+0.004} _{+0.000} | .104 | 2.19 |
| AN-23B | 2-1/4 | 2-9/16 | 7/64 | .187 | .107 ±.003 | 2.250 ^{+0.0000} _{-.0029} | 2.428 ^{+0.005} _{+0.000} | 2.552 ^{+0.004} _{+0.000} | .104 | 12.05 |
| AN-24 | 2-3/8 | 2-11/16 | 7/64 | .187 | .107 ±.003 | 2.375 ^{+0.000} _{-.003} | 2.553 ^{+0.005} _{+0.000} | 2.677 ^{+0.004} _{+0.000} | .104 | 2.26 |
| AN-25 | 2-1/2 | 2-13/16 | 7/64 | .187 | .107 ±.003 | 2.500 ^{+0.000} _{-.003} | 2.678 ^{+0.005} _{+0.000} | 2.802 ^{+0.004} _{+0.000} | .104 | 2.47 |
| AN-25-SH | 2-1/2 | 2-13/16 | 7/64 | .187 | .107 ±.003 | 2.500 ^{+0.000} _{-.003} | 2.678 ^{+0.005} _{+0.000} | 2.802 ^{+0.004} _{+0.000} | .104 | 1.98 |
| AN-25V | 2-1/2 | 2-13/16 | 7/64 | .187 | .107 ±.003 | 2.500 ^{+0.000} _{-.003} | 2.678 ^{+0.005} _{+0.000} | 2.802 ^{+0.004} _{+0.000} | .104 | 15.65 |
| AN-26 | 2-5/8 | 3 | 1/8 | .211 | .122 ±.003 | 2.625 ^{+0.000} _{-.003} | 2.834 ^{+0.005} _{+0.000} | 2.989 ^{+0.004} _{+0.000} | .119 | 2.54 |
| AN-26-SH | 2-5/8 | 3 | 1/8 | .211 | .122 ±.003 | 2.625 ^{+0.000} _{-.003} | 2.834 ^{+0.005} _{+0.000} | 2.989 ^{+0.004} _{+0.000} | .119 | 2.54 |
| AN-27 | 2-3/4 | 3-1/8 | 1/8 | .211 | .122 ±.003 | 2.750 ^{+0.000} _{-.003} | 2.959 ^{+0.005} _{+0.000} | 3.114 ^{+0.004} _{+0.000} | .119 | 2.61 |
| AN-27-SH | 2-3/4 | 3-1/8 | 1/8 | .211 | .122 ±.003 | 2.750 ^{+0.000} _{-.003} | 2.959 ^{+0.005} _{+0.000} | 3.114 ^{+0.004} _{+0.000} | .119 | 2.61 |
| AN-28 | 2-7/8 | 3-1/4 | 1/8 | .211 | .122 ±.003 | 2.875 ^{+0.000} _{-.003} | 3.084 ^{+0.005} _{+0.000} | 3.239 ^{+0.004} _{+0.000} | .119 | 3.04 |
| AN-28-SH | 2-7/8 | 3-1/4 | 1/8 | .211 | .122 ±.003 | 2.875 ^{+0.000} _{-.003} | 3.084 ^{+0.005} _{+0.000} | 3.239 ^{+0.004} _{+0.000} | .119 | 3.04 |
| AN-29 | 3 | 3-3/8 | 1/8 | .211 | .122 ±.003 | 3.000 ^{+0.000} _{-.003} | 3.209 ^{+0.005} _{+0.000} | 3.364 ^{+0.004} _{+0.000} | .119 | 3.04 |
| AN-29-SH | 3 | 3-3/8 | 1/8 | .211 | .122 ±.003 | 3.000 ^{+0.000} _{-.003} | 3.209 ^{+0.005} _{+0.000} | 3.364 ^{+0.004} _{+0.000} | .119 | 3.04 |
| AN-30 | 3-1/8 | 3-1/2 | 1/8 | .211 | .122 ±.003 | 3.125 ^{+0.000} _{-.003} | 3.334 ^{+0.005} _{+0.000} | 3.489 ^{+0.004} _{+0.000} | .119 | 3.04 |
| AN-31 | 3-1/4 | 3-5/8 | 1/8 | .211 | .122 ±.003 | 3.250 ^{+0.000} _{-.003} | 3.459 ^{+0.005} _{+0.000} | 3.614 ^{+0.004} _{+0.000} | .119 | 3.58 |
| AN-31-SH | 3-1/4 | 3-5/8 | 1/8 | .211 | .122 ±.003 | 3.250 ^{+0.000} _{-.003} | 3.459 ^{+0.005} _{+0.000} | 3.614 ^{+0.004} _{+0.000} | .119 | 4.00 |
| AN-32 | 3-3/8 | 3-3/4 | 1/8 | .211 | .122 ±.003 | 3.375 ^{+0.000} _{-.003} | 3.584 ^{+0.005} _{+0.000} | 3.739 ^{+0.004} _{+0.000} | .119 | 3.62 |
| AN-33 | 3-1/2 | 3-7/8 | 1/8 | .211 | .122 ±.003 | 3.500 ^{+0.000} _{-.003} | 3.709 ^{+0.005} _{+0.000} | 3.864 ^{+0.004} _{+0.000} | .119 | 3.67 |
| AN-33-SH | 3-1/2 | 3-7/8 | 1/8 | .211 | .122 ±.003 | 3.500 ^{+0.000} _{-.003} | 3.709 ^{+0.005} _{+0.000} | 3.864 ^{+0.004} _{+0.000} | .119 | 3.67 |
| AN-34 | 3-5/8 | 4 | 1/8 | .211 | .122 ±.003 | 3.625 ^{+0.000} _{-.003} | 3.834 ^{+0.005} _{+0.000} | 3.989 ^{+0.004} _{+0.000} | .119 | 3.73 |
| AN-35 | 3-3/4 | 4-1/8 | 1/8 | .211 | .122 ±.003 | 3.750 ^{+0.000} _{-.003} | 3.959 ^{+0.005} _{+0.000} | 4.114 ^{+0.004} _{+0.000} | .119 | 3.88 |
| AN-35-SH | 3-3/4 | 4-1/8 | 1/8 | .211 | .122 ±.003 | 3.750 ^{+0.000} _{-.003} | 3.959 ^{+0.005} _{+0.000} | 4.114 ^{+0.004} _{+0.000} | .119 | 3.88 |
| AN-36 | 3-7/8 | 4-1/4 | 1/8 | .211 | .122 ±.003 | 3.875 ^{+0.000} _{-.003} | 4.084 ^{+0.005} _{+0.000} | 4.239 ^{+0.004} _{+0.000} | .119 | 3.97 |
| AN-37 | 4 | 4-7/16 | 9/64 | .238 | .138 ±.003 | 4.000 ^{+0.000} _{-.003} | 4.240 ^{+0.005} _{+0.000} | 4.427 ^{+0.004} _{+0.000} | .135 | 4.09 |

NORTH AMERICA
PHONE 1-800-777-5617
FAX 1-800-759-6391

SALES OFFICE HOURS
8 A.M. TO 7:30 P.M. EASTERN TIME
www.HerculesUS.com

WORLDWIDE
PHONE 1-727-796-1300
FAX 1-727-797-8849

STYLE AN URETHANE WIPER RINGS

WIPER RINGS

| Part Number | A Nom. ID | B Nom. OD | C Nom. Ht | C ₁ OVERALL HEIGHT | D GROOVE WIDTH | E ROD DIAMETER | F THROAT DIAMETER | G HOUSING DIAMETER | th THICKNESS | List Price |
|-------------|--------------|--------------|--------------|----------------------------------|-------------------|--|---|---|-----------------|------------|
| AN-37-SH | 4 | 4-7/16 | 9/64 | .238 | .138 ±.003 | 4.000 ^{+0.000} _{-.003} | 4.240 ^{+0.005} _{+0.000} | 4.427 ^{+0.004} _{+0.000} | .135 | 4.09 |
| AN-37V | 4 | 4-7/16 | 9/64 | .238 | .138 ±.003 | 4.000 ^{+0.000} _{-.003} | 4.240 ^{+0.005} _{+0.000} | 4.427 ^{+0.004} _{+0.000} | .135 | 27.69 |
| AN-38 | 4-1/8 | 4-9/16 | 9/64 | .238 | .138 ±.003 | 4.125 ^{+0.000} _{-.003} | 4.365 ^{+0.005} _{+0.000} | 4.552 ^{+0.004} _{+0.000} | .135 | 4.20 |
| AN-39 | 4-1/4 | 4-11/16 | 9/64 | .238 | .138 ±.003 | 4.250 ^{+0.000} _{-.003} | 4.490 ^{+0.005} _{+0.000} | 4.677 ^{+0.004} _{+0.000} | .135 | 4.31 |
| AN-40 | 4-3/8 | 4-3/8 | 9/64 | .238 | .138 ±.003 | 4.375 ^{+0.000} _{-.003} | 4.615 ^{+0.005} _{+0.000} | 4.372 ^{+0.004} _{+0.000} | .135 | 4.38 |
| AN-41 | 4-1/2 | 4-15/16 | 9/64 | .238 | .138 ±.003 | 4.500 ^{+0.000} _{-.003} | 4.740 ^{+0.005} _{+0.000} | 4.927 ^{+0.004} _{+0.000} | .135 | 4.43 |
| AN-41-SH | 4-1/2 | 4-15/16 | 9/64 | .238 | .138 ±.003 | 4.500 ^{+0.000} _{-.003} | 4.740 ^{+0.005} _{+0.000} | 4.927 ^{+0.004} _{+0.000} | .135 | 6.19 |
| AN-42 | 4-5/8 | 5-1/16 | 9/64 | .238 | .138 ±.003 | 4.625 ^{+0.000} _{-.003} | 4.865 ^{+0.005} _{+0.000} | 5.052 ^{+0.004} _{+0.000} | .135 | 4.47 |
| AN-43 | 4-3/4 | 5-3/16 | 9/64 | .238 | .138 ±.003 | 4.750 ^{+0.000} _{-.003} | 4.990 ^{+0.005} _{+0.000} | 5.177 ^{+0.004} _{+0.000} | .135 | 4.60 |
| AN-44 | 4-7/8 | 5-5/16 | 9/64 | .238 | .138 ±.003 | 4.875 ^{+0.000} _{-.003} | 5.115 ^{+0.005} _{+0.000} | 5.302 ^{+0.004} _{+0.000} | .135 | 4.70 |
| AN-45 | 5 | 5-7/16 | 9/64 | .238 | .138 ±.003 | 5.000 ^{+0.000} _{-.003} | 5.240 ^{+0.005} _{+0.000} | 5.427 ^{+0.004} _{+0.000} | .135 | 5.43 |
| AN-45-SH | 5 | 5-7/16 | 9/64 | .238 | .138 ±.003 | 5.000 ^{+0.000} _{-.003} | 5.240 ^{+0.005} _{+0.000} | 5.427 ^{+0.004} _{+0.000} | .135 | 5.43 |
| AN-46 | 5-1/8 | 5-9/16 | 9/64 | .238 | .138 ±.003 | 5.125 ^{+0.000} _{-.003} | 5.365 ^{+0.005} _{+0.000} | 5.552 ^{+0.004} _{+0.000} | .135 | 5.51 |
| AN-47 | 5-1/4 | 5-11/16 | 9/64 | .238 | .138 ±.003 | 5.250 ^{+0.000} _{-.003} | 5.490 ^{+0.005} _{+0.000} | 5.677 ^{+0.004} _{+0.000} | .135 | 5.51 |
| AN-48 | 5-3/8 | 5-13/16 | 9/64 | .238 | .138 ±.003 | 5.375 ^{+0.000} _{-.003} | 5.615 ^{+0.005} _{+0.000} | 5.802 ^{+0.004} _{+0.000} | .135 | 5.58 |
| AN-49 | 5-1/2 | 5-15/16 | 9/64 | .238 | .138 ±.003 | 5.500 ^{+0.000} _{-.003} | 5.740 ^{+0.005} _{+0.000} | 5.927 ^{+0.004} _{+0.000} | .135 | 5.69 |
| AN-50 | 5-5/8 | 6-1/8 | 5/32 | .264 | .154 ±.003 | 5.625 ^{+0.000} _{-.003} | 5.896 ^{+0.005} _{+0.000} | 6.114 ^{+0.004} _{+0.000} | .151 | 6.23 |
| AN-51 | 5-3/4 | 6-1/4 | 5/32 | .264 | .154 ±.003 | 5.750 ^{+0.000} _{-.003} | 6.022 ^{+0.005} _{+0.000} | 6.239 ^{+0.004} _{+0.000} | .151 | 6.60 |
| AN-52 | 5-7/8 | 6-3/8 | 5/32 | .264 | .154 ±.003 | 5.875 ^{+0.000} _{-.003} | 6.146 ^{+0.005} _{+0.000} | 6.364 ^{+0.004} _{+0.000} | .151 | 6.71 |
| AN-53 | 6 | 6-1/2 | 5/32 | .264 | .154 ±.003 | 6.000 ^{+0.000} _{-.003} | 6.272 ^{+0.005} _{+0.000} | 6.489 ^{+0.004} _{+0.000} | .151 | 6.91 |
| AN-54 | 6-1/4 | 6-3/4 | 5/32 | .264 | .154 ±.003 | 6.250 ^{+0.000} _{-.003} | 6.522 ^{+0.005} _{+0.000} | 6.739 ^{+0.004} _{+0.000} | .151 | 7.15 |
| AN-55 | 6-1/2 | 7 | 5/32 | .264 | .154 ±.003 | 6.500 ^{+0.000} _{-.004} | 6.772 ^{+0.005} _{+0.000} | 6.989 ^{+0.005} _{+0.000} | .151 | 7.30 |
| AN-56 | 6-3/4 | 7-1/4 | 5/32 | .264 | .154 ±.003 | 6.750 ^{+0.000} _{-.004} | 7.022 ^{+0.005} _{+0.000} | 7.239 ^{+0.005} _{+0.000} | .151 | 7.43 |
| AN-57 | 7 | 7-1/2 | 5/32 | .264 | .154 ±.003 | 7.000 ^{+0.000} _{-.004} | 7.272 ^{+0.005} _{+0.000} | 7.489 ^{+0.005} _{+0.000} | .151 | 7.64 |
| AN-58 | 7-1/4 | 7-3/4 | 5/32 | .264 | .154 ±.003 | 7.250 ^{+0.000} _{-.004} | 7.522 ^{+0.005} _{+0.000} | 7.739 ^{+0.005} _{+0.000} | .151 | 8.71 |
| AN-59 | 7-1/2 | 8 | 5/32 | .264 | .154 ±.003 | 7.500 ^{+0.000} _{-.004} | 7.772 ^{+0.005} _{+0.000} | 7.989 ^{+0.005} _{+0.000} | .151 | 10.54 |
| AN-60 | 7-3/4 | 8-1/4 | 5/32 | .264 | .154 ±.003 | 7.750 ^{+0.000} _{-.004} | 8.022 ^{+0.005} _{+0.000} | 8.239 ^{+0.005} _{+0.000} | .151 | 11.18 |
| AN-61 | 8 | 8-1/2 | 5/32 | .264 | .154 ±.003 | 8.000 ^{+0.000} _{-.004} | 8.272 ^{+0.005} _{+0.000} | 8.489 ^{+0.005} _{+0.000} | .151 | 10.58 |
| AN-62 | 8-1/2 | 9 | 5/32 | .264 | .154 ±.003 | 8.500 ^{+0.000} _{-.004} | 8.772 ^{+0.005} _{+0.000} | 8.989 ^{+0.005} _{+0.000} | .151 | 10.58 |
| AN-63 | 9 | 9-1/2 | 5/32 | .264 | .154 ±.003 | 9.000 ^{+0.000} _{-.005} | 9.272 ^{+0.010} _{+0.000} | 9.489 ^{+0.005} _{+0.000} | .151 | 12.61 |



STYLE AN URETHANE WIPER RINGS

| Part Number | A Nom. ID | B Nom. OD | C Nom. Ht | C ₁ OVERALL HEIGHT | D GROOVE WIDTH | E ROD DIAMETER | F THROAT DIAMETER | G HOUSING DIAMETER | th THICKNESS | List Price |
|-------------|--------------|--------------|--------------|----------------------------------|----------------------|---|--|--|-----------------|---------------|
| AN-E9-1/4 | 9-1/4 | 9-3/4 | 5/32 | .264 | .154 ±.003 | 9.250 ^{+0.000} _{-.002} | 9.522 ^{+0.005} _{+0.000} | 9.739 ^{+0.004} _{+0.000} | .151 | 24.76 |
| AN-64 | 9-1/2 | 10 | 5/32 | .264 | .154 ±.003 | 9.500 ^{+0.000} _{-.005} | 9.772 ^{+0.010} _{+0.000} | 9.989 ^{+0.005} _{+0.000} | .151 | 12.79 |
| AN-65 | 10 | 10-1/2 | 5/32 | .264 | .154 ±.003 | 10.000 ^{+0.000} _{-.005} | 10.272 ^{+0.010} _{+0.000} | 10.489 ^{+0.005} _{+0.000} | .151 | 13.07 |
| AN-66 | 10-1/2 | 11 | 5/32 | .264 | .154 ±.003 | 10.500 ^{+0.000} _{-.005} | 10.772 ^{+0.010} _{+0.000} | 10.989 ^{+0.005} _{+0.000} | .151 | 14.81 |
| AN-67 | 11 | 11-1/2 | 5/32 | .264 | .154 ±.003 | 11.000 ^{+0.000} _{-.005} | 11.272 ^{+0.010} _{+0.000} | 11.489 ^{+0.005} _{+0.000} | .151 | 16.78 |
| AN-69 | 12 | 12-1/2 | 11/64 | .289 | .169 ±.003 | 12.000 ^{+0.000} _{-.005} | 12.272 ^{+0.010} _{+0.000} | 12.489 ^{+0.005} _{+0.000} | .166 | 76.60 |

WIPER RINGS

Seal color may vary. Special order sizes are available. Sizes not shown and out of stock items can also be ordered for next day delivery through Seals On Demand, our custom seal program. Please call your regional sales team for assistance.

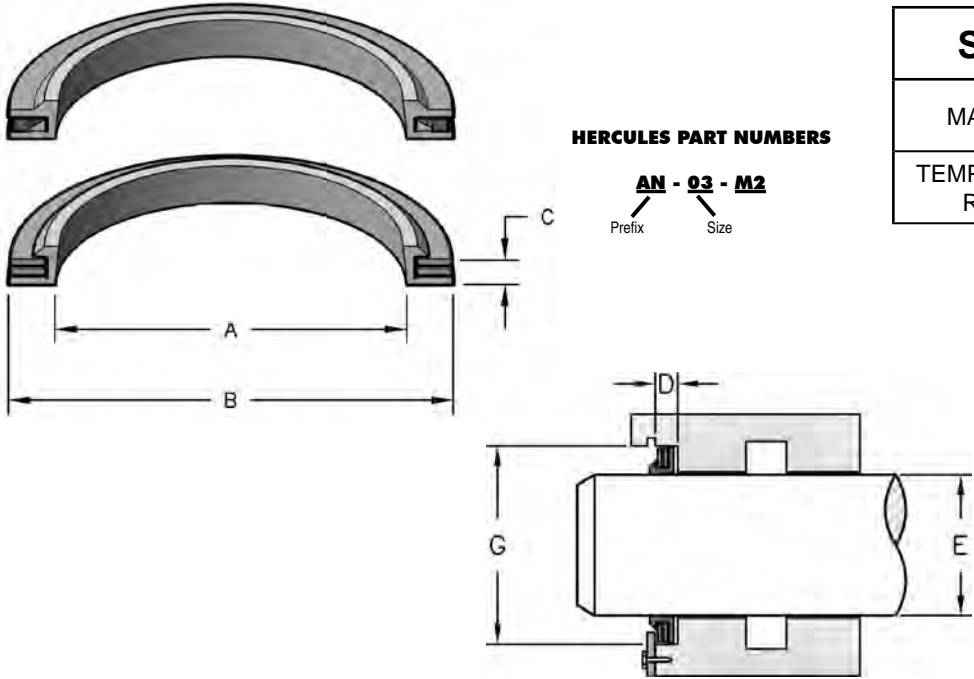
NORTH AMERICA
PHONE 1-800-777-5617
FAX 1-800-759-6391

SALES OFFICE HOURS
8 A.M. TO 7:30 P.M. EASTERN TIME
www.HerculesUS.com

WORLDWIDE
PHONE 1-727-796-1300
FAX 1-727-797-8849

STYLE AN-M2 BRASS WIPER RINGS

Style AN-M2 scrapers conform to MS28776-M2 sizes and are manufactured in brass. The scrapers are suitable for extreme environments with aggressive contaminants. The unique spring-loaded construction and ductile material result in close rod contact even when coping with rod ovality and helix grinding patterns.



HERCULES PART NUMBERS

AN - 03 - M2
 Prefix Size

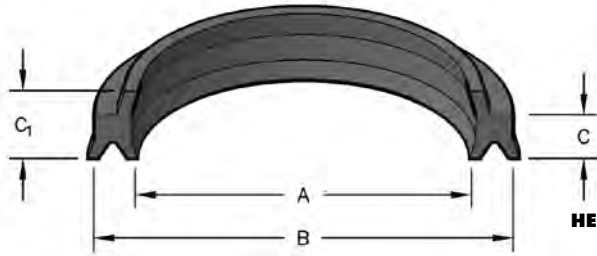
| SEAL INFORMATION | |
|-------------------|-----------------|
| MATERIAL | BRASS |
| TEMPERATURE RANGE | -30° TO +300° F |

WIPER RINGS

| Part Number | A Nom. ID | B Nom. OD | C Nom. Ht | D GROOVE WIDTH | E ROD DIAMETER | G HOUSING DIAMETER | List Price |
|-------------|-----------|-----------|-----------|----------------|----------------|--------------------|------------|
| AN-03-M2 | 5/8 | 7/8 | 7/64 | .104 | .625 | .885 | \$ 16.61 |
| AN-05-M2 | 3/4 | 1 | 7/64 | .104 | .750 | 1.010 | 16.68 |
| AN-09-M2 | 1 | 1-7/32 | 7/64 | .104 | 1.000 | 1.272 | 18.26 |
| AN-13-M2 | 1-1/4 | 1-15/32 | 7/64 | .104 | 1.250 | 1.522 | 20.40 |
| AN-15-M2 | 1-3/8 | 1-21/32 | 7/64 | .104 | 1.375 | 1.677 | 23.74 |
| AN-17-M2 | 1-1/2 | 1-25/32 | 7/64 | .104 | 1.500 | 1.802 | 24.24 |
| AN-19-M2 | 1-3/4 | 2-1/32 | 7/64 | .104 | 1.750 | 2.052 | 24.51 |
| AN-21-M2 | 2 | 2-9/32 | 7/64 | .104 | 2.000 | 2.302 | 27.66 |
| AN-23-M2 | 2-1/4 | 2-17/32 | 7/64 | .104 | 2.250 | 2.552 | 28.16 |
| AN-25-M2 | 2-1/2 | 2-25/32 | 7/64 | .104 | 2.500 | 2.802 | 34.18 |
| AN-27-M2 | 2-3/4 | 3-3/32 | 1/8 | .119 | 2.750 | 3.114 | 38.15 |
| AN-29-M2 | 3 | 3-11/32 | 1/8 | .119 | 3.000 | 3.364 | 41.69 |
| AN-33-M2 | 3-1/2 | 3-27/32 | 1/8 | .119 | 3.500 | 3.864 | 47.83 |
| AN-37-M2 | 4 | 4-13/32 | 9/64 | .135 | 4.000 | 4.427 | 62.10 |
| AN-41-M2 | 4-1/2 | 4-29/32 | 9/64 | .135 | 4.500 | 4.927 | 64.68 |
| AN-45-M2 | 5 | 5-13/32 | 9/64 | .135 | 5.000 | 5.427 | 72.95 |

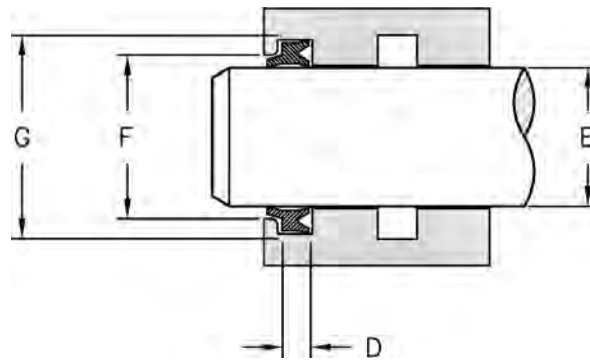
STYLE HW URETHANE WIPER RINGS

Suffix "V" designates fluorocarbon material, "N" designates nitrile material, and "HT" designates high temperature urethane.



HERCULES PART NUMBERS

HW - 0500
Prefix Size



SEAL INFORMATION

| | |
|-------------------|--|
| MATERIAL | 90A URETHANE |
| TEMPERATURE RANGE | -40° TO +200° F N: -40° TO +225° F V: -20° TO +350° F HT: -40° TO +225° F |
| SPEED | 3 FT/SEC |

WIPER RINGS

| Part Number | A Nom. ID | B Nom. OD | C Nom. Ht | C ₁ OVERALL HEIGHT | D GROOVE WIDTH | E ROD DIAMETER | F THROAT DIAMETER | G HOUSING DIAMETER | th THICKNESS | List Price |
|-------------|--------------|--------------|--------------|----------------------------------|--|--|---|---|-----------------|---------------|
| HW-0500 | 1/2 | 13/16 | .194 | .245 | .203 ^{+0.005} / _{+0.000} | .500 ^{+0.000} / _{-0.002} | .620 ^{+0.002} / _{+0.000} | .802 ^{+0.002} / _{+0.000} | .194 | \$2.93 |
| HW-0500N | 1/2 | 13/16 | .194 | .245 | .203 ^{+0.005} / _{+0.000} | .500 ^{+0.000} / _{-0.002} | .620 ^{+0.002} / _{+0.000} | .802 ^{+0.002} / _{+0.000} | .194 | 2.72 |
| HW-0500V | 1/2 | 13/16 | .194 | .245 | .203 ^{+0.005} / _{+0.000} | .500 ^{+0.000} / _{-0.002} | .620 ^{+0.002} / _{+0.000} | .802 ^{+0.002} / _{+0.000} | .194 | 10.05 |
| HW-0625N | 5/8 | 15/16 | .189 | .245 | .198 ^{+0.005} / _{+0.000} | .625 ^{+0.000} / _{-0.002} | .745 ^{+0.002} / _{+0.000} | .927 ^{+0.002} / _{+0.000} | .189 | 3.25 |
| HW-0625 | 5/8 | 15/16 | .194 | .245 | .203 ^{+0.005} / _{+0.000} | .625 ^{+0.000} / _{-0.002} | .745 ^{+0.002} / _{+0.000} | .927 ^{+0.002} / _{+0.000} | .194 | 3.25 |
| HW-0625-2N | 5/8 | 15/16 | .194 | .311 | .203 ^{+0.005} / _{+0.000} | .625 ^{+0.000} / _{-0.002} | | .927 ^{+0.002} / _{+0.000} | .194 | 3.25 |
| HW-0625V | 5/8 | 15/16 | .194 | .245 | .203 ^{+0.005} / _{+0.000} | .625 ^{+0.000} / _{-0.002} | .745 ^{+0.002} / _{+0.000} | .927 ^{+0.002} / _{+0.000} | .194 | 11.10 |
| HW-0625-1 | 5/8 | 1 | .194 | .245 | .203 ^{+0.005} / _{+0.000} | .625 ^{+0.000} / _{-0.002} | | .990 ^{+0.002} / _{+0.000} | .194 | 13.40 |
| HW-0625-1N | 5/8 | 1 | .194 | .245 | .203 ^{+0.005} / _{+0.000} | .625 ^{+0.000} / _{-0.002} | | .990 ^{+0.002} / _{+0.000} | .194 | 3.25 |
| HW-0750 | 3/4 | 1-1/16 | .194 | .245 | .203 ^{+0.005} / _{+0.000} | .750 ^{+0.000} / _{-0.002} | .870 ^{+0.002} / _{+0.000} | 1.052 ^{+0.002} / _{+0.000} | .194 | 3.25 |
| HW-0750N | 3/4 | 1-1/16 | .194 | .245 | .203 ^{+0.005} / _{+0.000} | .750 ^{+0.000} / _{-0.002} | .870 ^{+0.002} / _{+0.000} | 1.052 ^{+0.002} / _{+0.000} | .194 | 3.25 |
| HW-0750V | 3/4 | 1-1/16 | .194 | .245 | .203 ^{+0.005} / _{+0.000} | .750 ^{+0.000} / _{-0.002} | .870 ^{+0.002} / _{+0.000} | 1.052 ^{+0.002} / _{+0.000} | .194 | 9.75 |
| HW-0875 | 7/8 | 1-1/4 | .212 | .275 | .218 ^{+0.005} / _{+0.000} | .875 ^{+0.000} / _{-0.002} | 1.010 ^{+0.002} / _{+0.000} | 1.240 ^{+0.002} / _{+0.000} | .212 | 3.33 |
| HW-0875N | 7/8 | 1-1/4 | .212 | .275 | .218 ^{+0.005} / _{+0.000} | .875 ^{+0.000} / _{-0.002} | 1.010 ^{+0.002} / _{+0.000} | 1.240 ^{+0.002} / _{+0.000} | .212 | 3.33 |
| HW-0937 | 15/16 | 1-5/16 | .212 | .275 | .218 ^{+0.005} / _{+0.000} | .937 ^{+0.000} / _{-0.002} | 1.072 ^{+0.002} / _{+0.000} | 1.302 ^{+0.002} / _{+0.000} | .212 | 7.06 |

STYLE HW URETHANE WIPER RINGS

WIPER RINGS

| Part Number | A Nom. ID | B Nom. OD | C Nom. Ht | C ₁ OVERALL HEIGHT | D GROOVE WIDTH | E ROD DIAMETER | F THROAT DIAMETER | G HOUSING DIAMETER | th THICKNESS | List Price |
|-------------|--------------|--------------|--------------|----------------------------------|--|---|---|---|-----------------|------------|
| HW-1000 | 1 | 1-3/8 | .212 | .275 | .218 ^{+0.05} / _{+0.00} | 1.000 ^{+0.00} / _{-.002} | 1.135 ^{+0.02} / _{+0.00} | 1.365 ^{+0.02} / _{+0.00} | .212 | 3.38 |
| HW-1000N | 1 | 1-3/8 | .212 | .275 | .218 ^{+0.05} / _{+0.00} | 1.000 ^{+0.00} / _{-.002} | 1.135 ^{+0.02} / _{+0.00} | 1.365 ^{+0.02} / _{+0.00} | .212 | 3.38 |
| HW-1000U | 1 | 1-3/8 | .212 | .275 | .218 ^{+0.05} / _{+0.00} | 1.000 ^{+0.00} / _{-.002} | 1.135 ^{+0.02} / _{+0.00} | 1.365 ^{+0.02} / _{+0.00} | .212 | 2.80 |
| HW-1000V | 1 | 1-3/8 | .212 | .275 | .218 ^{+0.05} / _{+0.00} | 1.000 ^{+0.00} / _{-.002} | 1.135 ^{+0.02} / _{+0.00} | 1.365 ^{+0.02} / _{+0.00} | .212 | 11.94 |
| HW-1125 | 1-1/8 | 1-1/2 | .212 | .275 | .218 ^{+0.05} / _{+0.00} | 1.125 ^{+0.00} / _{-.002} | 1.260 ^{+0.02} / _{+0.00} | 1.490 ^{+0.02} / _{+0.00} | .212 | 3.54 |
| HW-1250 | 1-1/4 | 1-5/8 | .212 | .275 | .218 ^{+0.05} / _{+0.00} | 1.250 ^{+0.00} / _{-.002} | 1.385 ^{+0.02} / _{+0.00} | 1.615 ^{+0.02} / _{+0.00} | .212 | 3.79 |
| HW-1250N | 1-1/4 | 1-5/8 | .212 | .275 | .218 ^{+0.05} / _{+0.00} | 1.250 ^{+0.00} / _{-.002} | 1.385 ^{+0.02} / _{+0.00} | 1.615 ^{+0.02} / _{+0.00} | .212 | 3.79 |
| HW-1375 | 1-3/8 | 1-3/4 | .212 | .275 | .218 ^{+0.05} / _{+0.00} | 1.375 ^{+0.00} / _{-.002} | 1.510 ^{+0.02} / _{+0.00} | 1.740 ^{+0.02} / _{+0.00} | .212 | 4.09 |
| HW-1375HT | 1-3/8 | 1-3/4 | .212 | .275 | .218 ^{+0.05} / _{+0.00} | 1.375 ^{+0.00} / _{-.002} | 1.510 ^{+0.02} / _{+0.00} | 1.740 ^{+0.02} / _{+0.00} | .212 | 7.30 |
| HW-1375N | 1-3/8 | 1-3/4 | .212 | .275 | .218 ^{+0.05} / _{+0.00} | 1.375 ^{+0.00} / _{-.002} | 1.510 ^{+0.02} / _{+0.00} | 1.740 ^{+0.02} / _{+0.00} | .212 | 3.85 |
| HW-1375V | 1-3/8 | 1-3/4 | .212 | .275 | .218 ^{+0.05} / _{+0.00} | 1.375 ^{+0.00} / _{-.002} | 1.510 ^{+0.02} / _{+0.00} | 1.740 ^{+0.02} / _{+0.00} | .212 | 21.81 |
| HW-1500 | 1-1/2 | 1-7/8 | .212 | .275 | .218 ^{+0.05} / _{+0.00} | 1.500 ^{+0.00} / _{-.002} | 1.635 ^{+0.02} / _{+0.00} | 1.865 ^{+0.02} / _{+0.00} | .212 | 4.34 |
| HW-1500N | 1-1/2 | 1-7/8 | .212 | .275 | .218 ^{+0.05} / _{+0.00} | 1.500 ^{+0.00} / _{-.002} | 1.635 ^{+0.02} / _{+0.00} | 1.865 ^{+0.02} / _{+0.00} | .212 | 4.34 |
| HW-1625 | 1-5/8 | 2 | .212 | .275 | .218 ^{+0.05} / _{+0.00} | 1.625 ^{+0.00} / _{-.002} | 1.760 ^{+0.02} / _{+0.00} | 1.990 ^{+0.02} / _{+0.00} | .212 | 4.44 |
| HW-1751 | 1-3/4 | 2-1/8 | .168 | .285 | .174 ^{+0.05} / _{+0.00} | 1.750 ^{+0.00} / _{-.002} | | 2.115 ^{+0.02} / _{+0.00} | .168 | 9.51 |
| HW-1750 | 1-3/4 | 2-1/8 | .212 | .275 | .218 ^{+0.05} / _{+0.00} | 1.750 ^{+0.00} / _{-.002} | 1.885 ^{+0.02} / _{+0.00} | 2.115 ^{+0.02} / _{+0.00} | .212 | 4.63 |
| HW-1750N | 1-3/4 | 2-1/8 | .212 | .275 | .218 ^{+0.05} / _{+0.00} | 1.750 ^{+0.00} / _{-.002} | 1.885 ^{+0.02} / _{+0.00} | 2.115 ^{+0.02} / _{+0.00} | .212 | 4.63 |
| HW-1750V | 1-3/4 | 2-1/8 | .212 | .275 | .218 ^{+0.05} / _{+0.00} | 1.750 ^{+0.00} / _{-.002} | 1.885 ^{+0.02} / _{+0.00} | 2.115 ^{+0.02} / _{+0.00} | .212 | 32.62 |
| HW-1875 | 1-7/8 | 2-1/4 | .212 | .275 | .218 ^{+0.05} / _{+0.00} | 1.875 ^{+0.00} / _{-.002} | 2.010 ^{+0.02} / _{+0.00} | 2.240 ^{+0.02} / _{+0.00} | .212 | 5.06 |
| HW-1875N | 1-7/8 | 2-1/4 | .212 | .275 | .218 ^{+0.05} / _{+0.00} | 1.875 ^{+0.00} / _{-.002} | 2.010 ^{+0.02} / _{+0.00} | 2.240 ^{+0.02} / _{+0.00} | .212 | 16.11 |
| HW-2000 | 2 | 2-3/8 | .212 | .275 | .218 ^{+0.05} / _{+0.00} | 2.000 ^{+0.00} / _{-.002} | 2.135 ^{+0.02} / _{+0.00} | 2.365 ^{+0.02} / _{+0.00} | .212 | 5.27 |
| HW-2000N | 2 | 2-3/8 | .212 | .275 | .218 ^{+0.05} / _{+0.00} | 2.000 ^{+0.00} / _{-.002} | 2.135 ^{+0.02} / _{+0.00} | 2.365 ^{+0.02} / _{+0.00} | .212 | 5.27 |
| HW-2000V | 2 | 2-3/8 | .212 | .275 | .218 ^{+0.05} / _{+0.00} | 2.000 ^{+0.00} / _{-.002} | 2.135 ^{+0.02} / _{+0.00} | 2.365 ^{+0.02} / _{+0.00} | .212 | 16.86 |
| HW-2125N | 2-1/8 | 2.49 | .212 | | .218 ^{+0.05} / _{+0.00} | 2.125 ^{+0.00} / _{-.003} | 2.260 ^{+0.03} / _{+0.00} | 2.490 ^{+0.03} / _{+0.00} | .212 | 18.8333 |
| HW-2125 | 2-1/8 | 2-1/2 | .212 | .275 | .218 ^{+0.05} / _{+0.00} | 2.125 ^{+0.00} / _{-.003} | 2.260 ^{+0.03} / _{+0.00} | 2.490 ^{+0.03} / _{+0.00} | .212 | 5.46 |
| HW-2250 | 2-1/4 | 2-3/4 | .275 | .351 | .281 ^{+0.05} / _{+0.00} | 2.250 ^{+0.00} / _{-.003} | 2.385 ^{+0.03} / _{+0.00} | 2.745 ^{+0.03} / _{+0.00} | .275 | 5.55 |
| HW-2375N | 2-3/8 | 2-7/8 | .275 | .351 | .281 ^{+0.05} / _{+0.00} | 2.375 ^{+0.00} / _{-.003} | 2.510 ^{+0.03} / _{+0.00} | 2.870 ^{+0.03} / _{+0.00} | .275 | 4.95 |
| HW-2500 | 2-1/2 | 3 | .275 | .351 | .281 ^{+0.05} / _{+0.00} | 2.500 ^{+0.00} / _{-.003} | 2.635 ^{+0.03} / _{+0.00} | 2.995 ^{+0.03} / _{+0.00} | .275 | 5.84 |
| HW-2500N | 2-1/2 | 3 | .275 | .351 | .281 ^{+0.05} / _{+0.00} | 2.500 ^{+0.00} / _{-.003} | 2.635 ^{+0.03} / _{+0.00} | 2.995 ^{+0.03} / _{+0.00} | .275 | 4.62 |
| HW-2500V | 2-1/2 | 3 | .275 | .351 | .281 ^{+0.05} / _{+0.00} | 2.500 ^{+0.00} / _{-.003} | 2.635 ^{+0.03} / _{+0.00} | 2.995 ^{+0.03} / _{+0.00} | .275 | 18.68 |



STYLE HW URETHANE WIPER RINGS

WIPER RINGS

| Part Number | A Nom. ID | B Nom. OD | C Nom. Ht | C ₁ OVERALL HEIGHT | D GROOVE WIDTH | E ROD DIAMETER | F THROAT DIAMETER | G HOUSING DIAMETER | th THICKNESS | List Price |
|-------------|--------------|--------------|--------------|----------------------------------|--|---|---|---|-----------------|---------------|
| HW-2625 | 2-5/8 | 3-1/8 | .275 | .351 | .281 ^{+0.005} / _{+0.000} | 2.625 ^{+0.000} / _{-0.003} | 2.760 ^{+0.003} / _{+0.000} | 3.120 ^{+0.003} / _{+0.000} | .275 | 6.20 |
| HW-2750N | 2-3/4 | 3.245 | .275 | .351 | .281 ^{+0.005} / _{+0.000} | 2.750 ^{+0.000} / _{-0.003} | 2.885 ^{+0.003} / _{+0.000} | 3.245 ^{+0.003} / _{+0.000} | .275 | 19.6667 |
| HW-2750 | 2-3/4 | 3-1/4 | .275 | .351 | .281 ^{+0.005} / _{+0.000} | 2.750 ^{+0.000} / _{-0.003} | 2.885 ^{+0.003} / _{+0.000} | 3.245 ^{+0.003} / _{+0.000} | .275 | 6.67 |
| HW-3000 | 3 | 3-1/2 | .275 | .351 | .281 ^{+0.005} / _{+0.000} | 3.000 ^{+0.000} / _{-0.003} | 3.135 ^{+0.003} / _{+0.000} | 3.495 ^{+0.003} / _{+0.000} | .275 | 7.47 |
| HW-3000N | 3 | 3-1/2 | .275 | .351 | .281 ^{+0.005} / _{+0.000} | 3.000 ^{+0.000} / _{-0.003} | 3.135 ^{+0.003} / _{+0.000} | 3.495 ^{+0.003} / _{+0.000} | .275 | 7.47 |
| HW-3000V | 3 | 3-1/2 | .275 | .351 | .281 ^{+0.005} / _{+0.000} | 3.000 ^{+0.000} / _{-0.003} | 3.135 ^{+0.003} / _{+0.000} | 3.495 ^{+0.003} / _{+0.000} | .275 | 23.70 |
| HW-3250 | 3-1/4 | 3-3/4 | .275 | .351 | .281 ^{+0.005} / _{+0.000} | 3.250 ^{+0.000} / _{-0.003} | 3.385 ^{+0.003} / _{+0.000} | 3.745 ^{+0.003} / _{+0.000} | .275 | 8.46 |
| HW-3500 | 3-1/2 | 4 | .275 | .351 | .281 ^{+0.005} / _{+0.000} | 3.500 ^{+0.000} / _{-0.003} | 3.635 ^{+0.003} / _{+0.000} | 3.995 ^{+0.003} / _{+0.000} | .275 | 8.87 |
| HW-3500N | 3-1/2 | 4 | .275 | .351 | .281 ^{+0.005} / _{+0.000} | 3.500 ^{+0.000} / _{-0.003} | 3.635 ^{+0.003} / _{+0.000} | 3.995 ^{+0.003} / _{+0.000} | .275 | 8.95 |
| HW-3500V | 3-1/2 | 4 | .275 | .351 | .281 ^{+0.005} / _{+0.000} | 3.500 ^{+0.000} / _{-0.003} | 3.635 ^{+0.003} / _{+0.000} | 3.995 ^{+0.003} / _{+0.000} | .275 | 29.89 |
| HW-3750 | 3-3/4 | 4-1/4 | .275 | .351 | .281 ^{+0.005} / _{+0.000} | 3.750 ^{+0.000} / _{-0.003} | 3.885 ^{+0.003} / _{+0.000} | 4.245 ^{+0.003} / _{+0.000} | .275 | 18.17 |
| HW-4000 | 4 | 4-1/2 | .275 | .351 | .281 ^{+0.005} / _{+0.000} | 4.000 ^{+0.000} / _{-0.003} | 4.135 ^{+0.003} / _{+0.000} | 4.495 ^{+0.003} / _{+0.000} | .275 | 9.80 |
| HW-4000N | 4 | 4-1/2 | .275 | .351 | .281 ^{+0.005} / _{+0.000} | 4.000 ^{+0.000} / _{-0.003} | 4.135 ^{+0.003} / _{+0.000} | 4.495 ^{+0.003} / _{+0.000} | .275 | 9.83 |
| HW-4000V | 4 | 4-1/2 | .275 | .351 | .281 ^{+0.005} / _{+0.000} | 4.000 ^{+0.000} / _{-0.003} | 4.135 ^{+0.003} / _{+0.000} | 4.495 ^{+0.003} / _{+0.000} | .275 | 33.02 |
| HW-4250 | 4-1/4 | 4-3/4 | .275 | .351 | .281 ^{+0.005} / _{+0.000} | 4.250 ^{+0.000} / _{-0.003} | 4.385 ^{+0.003} / _{+0.000} | 4.745 ^{+0.003} / _{+0.000} | .275 | 15.17 |
| HW-4430 | 4-7/16 | 4-15/16 | .275 | .351 | .281 ^{+0.005} / _{+0.000} | 4.437 ^{+0.000} / _{-0.003} | | 4.932 ^{+0.003} / _{+0.000} | .275 | 20.80 |
| HW-4500 | 4-1/2 | 5 | .275 | .351 | .281 ^{+0.005} / _{+0.000} | 4.500 ^{+0.000} / _{-0.003} | 4.635 ^{+0.003} / _{+0.000} | 4.995 ^{+0.003} / _{+0.000} | .275 | 10.90 |
| HW-4500N | 4-1/2 | 5 | .275 | .351 | .281 ^{+0.005} / _{+0.000} | 4.500 ^{+0.000} / _{-0.003} | 4.635 ^{+0.003} / _{+0.000} | 4.995 ^{+0.003} / _{+0.000} | .275 | 7.91 |
| HW-4500V | 4-1/2 | 5 | .275 | .351 | .281 ^{+0.005} / _{+0.000} | 4.500 ^{+0.000} / _{-0.003} | 4.635 ^{+0.003} / _{+0.000} | 4.995 ^{+0.003} / _{+0.000} | .275 | 33.93 |
| HW-4750 | 4-3/4 | 5-1/4 | .275 | .351 | .281 ^{+0.005} / _{+0.000} | 4.750 ^{+0.000} / _{-0.003} | 4.885 ^{+0.003} / _{+0.000} | 5.245 ^{+0.003} / _{+0.000} | .275 | 25.81 |
| HW-5000 | 5 | 5-1/2 | .275 | .351 | .281 ^{+0.005} / _{+0.000} | 5.000 ^{+0.000} / _{-0.003} | 5.135 ^{+0.003} / _{+0.000} | 5.495 ^{+0.003} / _{+0.000} | .275 | 12.89 |
| HW-5000N | 5 | 5-1/2 | .275 | .351 | .281 ^{+0.005} / _{+0.000} | 5.000 ^{+0.000} / _{-0.003} | 5.135 ^{+0.003} / _{+0.000} | 5.495 ^{+0.003} / _{+0.000} | .275 | 10.39 |
| HW-5000V | 5 | 5-1/2 | .275 | .351 | .281 ^{+0.005} / _{+0.000} | 5.000 ^{+0.000} / _{-0.003} | 5.135 ^{+0.003} / _{+0.000} | 5.495 ^{+0.003} / _{+0.000} | .275 | 35.84 |
| HW-5500 | 5-1/2 | 6 | .275 | .351 | .281 ^{+0.005} / _{+0.000} | 5.500 ^{+0.000} / _{-0.003} | 5.635 ^{+0.003} / _{+0.000} | 5.995 ^{+0.003} / _{+0.000} | .275 | 17.90 |
| HW-5500N | 5-1/2 | 6 | .275 | .351 | .281 ^{+0.005} / _{+0.000} | 5.500 ^{+0.000} / _{-0.003} | 5.635 ^{+0.003} / _{+0.000} | 5.995 ^{+0.003} / _{+0.000} | .275 | 8.99 |
| HW-5500V | 5-1/2 | 6 | .275 | .351 | .281 ^{+0.005} / _{+0.000} | 5.500 ^{+0.000} / _{-0.003} | 5.635 ^{+0.003} / _{+0.000} | 5.995 ^{+0.003} / _{+0.000} | .275 | 39.25 |
| HW-6000N | 6 | 6-1/2 | .275 | .351 | .281 ^{+0.005} / _{+0.000} | 6.000 ^{+0.000} / _{-0.003} | 6.135 ^{+0.003} / _{+0.000} | 6.495 ^{+0.003} / _{+0.000} | .275 | 11.01 |
| HW-6000V | 6 | 6-1/2 | .275 | .351 | .281 ^{+0.005} / _{+0.000} | 6.000 ^{+0.000} / _{-0.003} | 6.135 ^{+0.003} / _{+0.000} | 6.495 ^{+0.003} / _{+0.000} | .275 | 42.65 |
| HW-7000 | 7 | 7-1/2 | .275 | .351 | .281 ^{+0.005} / _{+0.000} | 7.000 ^{+0.000} / _{-0.004} | 7.135 ^{+0.003} / _{+0.000} | 7.495 ^{+0.003} / _{+0.000} | .275 | 23.15 |
| HW-7000N | 7 | 7-1/2 | .275 | .351 | .281 ^{+0.005} / _{+0.000} | 7.000 ^{+0.000} / _{-0.004} | 7.135 ^{+0.003} / _{+0.000} | 7.495 ^{+0.003} / _{+0.000} | .275 | 23.2222 |

NORTH AMERICA
PHONE 1-800-777-5617
FAX 1-800-759-6391

SALES OFFICE HOURS
8 A.M. TO 7:30 P.M. EASTERN TIME
www.HerculesUS.com

WORLDWIDE
PHONE 1-727-796-1300
FAX 1-727-797-8849

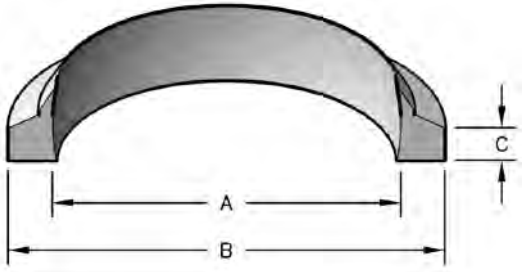


STYLE HW URETHANE WIPER RINGS

| Part Number | A Nom. ID | B Nom. OD | C Nom. Ht | C ₁ OVERALL HEIGHT | D GROOVE WIDTH | E ROD DIAMETER | F THROAT DIAMETER | G HOUSING DIAMETER | th THICKNESS | List Price |
|-------------|--------------|--------------|--------------|----------------------------------|--|---|---|---|-----------------|---------------|
| HW-7000V | 7 | 7-1/2 | .275 | .351 | .281 ^{+0.005} / _{+0.000} | 7.000 ^{+0.000} / _{-0.004} | 7.135 ^{+0.003} / _{+0.000} | 7.495 ^{+0.003} / _{+0.000} | .275 | 47.00 |
| HW-8000 | 8 | 8-1/2 | .275 | .351 | .281 ^{+0.005} / _{+0.000} | 8.000 ^{+0.000} / _{-0.004} | 8.135 ^{+0.003} / _{+0.000} | 8.495 ^{+0.003} / _{+0.000} | .275 | 40.44 |

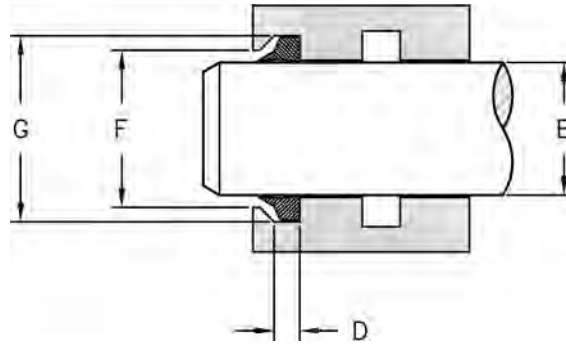
WIPER RINGS

STYLE BT URETHANE WIPER RINGS



HERCULES PART NUMBERS

BT 01050
Prefix Size



SEAL INFORMATION

| | |
|-------------------|-----------------|
| MATERIAL | 90A URETHANE |
| TEMPERATURE RANGE | -40° TO +200° F |
| SPEED | 3 FT/SEC |

WIPER RINGS

| Part Number | A Nom. ID | B Nom. OD | C Nom. Ht | D GROOVE WIDTH | E ROD DIAMETER | F THROAT DIAMETER | G HOUSING DIAMETER | List Price |
|-------------|--------------|--------------|--------------|--|----------------------|---|---|---------------|
| BT01050 | 5/8 | 7/8 | 5/32 | .176 ^{+0.005} / _{+0.000} | .625 | .781 ^{+0.005} / _{+0.000} | .885 ^{+0.005} / _{+0.000} | \$2.70 |
| BT01260 | 3/4 | 1-1/8 | 3/16 | .195 ^{+0.005} / _{+0.000} | .750 | .860 ^{+0.005} / _{+0.000} | 1.135 ^{+0.005} / _{+0.000} | 2.70 |
| BT01460 | 7/8 | 1-1/4 | 3/16 | .195 ^{+0.005} / _{+0.000} | .875 | .985 ^{+0.005} / _{+0.000} | 1.260 ^{+0.005} / _{+0.000} | 2.70 |
| BT11580 | 15/16 | 2-7/16 | 1/4 | .255 ^{+0.005} / _{+0.000} | .937 | 2.090 ^{+0.005} / _{+0.000} | 2.447 ^{+0.005} / _{+0.000} | 3.36 |
| BT10060 | 1 | 1-3/8 | 3/16 | .195 ^{+0.005} / _{+0.000} | 1.000 | 1.110 ^{+0.005} / _{+0.000} | 1.385 ^{+0.005} / _{+0.000} | 2.97 |
| BT10260 | 1-1/8 | 1-1/2 | 3/16 | .195 ^{+0.005} / _{+0.000} | 1.125 | 1.235 ^{+0.005} / _{+0.000} | 1.510 ^{+0.005} / _{+0.000} | 2.99 |
| BT10460 | 1-1/4 | 1-5/8 | 3/16 | .195 ^{+0.005} / _{+0.000} | 1.250 | 1.360 ^{+0.005} / _{+0.000} | 1.635 ^{+0.005} / _{+0.000} | 2.99 |
| BT10660 | 1-3/8 | 1-3/4 | 3/16 | .195 ^{+0.005} / _{+0.000} | 1.375 | 1.485 ^{+0.005} / _{+0.000} | 1.760 ^{+0.005} / _{+0.000} | 3.01 |
| BT10860 | 1-1/2 | 1-7/8 | 3/16 | .195 ^{+0.005} / _{+0.000} | 1.500 | 1.610 ^{+0.005} / _{+0.000} | 1.885 ^{+0.005} / _{+0.000} | 3.12 |
| BT11260 | 1-3/4 | 2-1/8 | 3/16 | .195 ^{+0.005} / _{+0.000} | 1.750 | 1.860 ^{+0.005} / _{+0.000} | 2.135 ^{+0.005} / _{+0.000} | 3.24 |
| BT20060 | 2 | 2-3/8 | 3/16 | .195 ^{+0.005} / _{+0.000} | 2.000 | 2.110 ^{+0.005} / _{+0.000} | 2.385 ^{+0.005} / _{+0.000} | 3.44 |
| BT20460 | 2-1/4 | 2-5/8 | 3/16 | .195 ^{+0.005} / _{+0.000} | 2.250 | 2.360 ^{+0.005} / _{+0.000} | 2.635 ^{+0.005} / _{+0.000} | 3.74 |
| BT20791 | 2-7/16 | 3 | .284 | .286 ^{+0.005} / _{+0.000} | 2.437 | 2.633 ^{+0.005} / _{+0.000} | 3.010 ^{+0.005} / _{+0.000} | 3.93 |
| BT20860 | 2-1/2 | 2-7/8 | 3/16 | .195 ^{+0.005} / _{+0.000} | 2.500 | 2.610 ^{+0.005} / _{+0.000} | 2.885 ^{+0.005} / _{+0.000} | 4.15 |
| BT20880 | 2-1/2 | 3 | 1/4 | .255 ^{+0.005} / _{+0.000} | 2.500 | 2.700 ^{+0.005} / _{+0.000} | 3.010 ^{+0.005} / _{+0.000} | 4.40 |
| BT21080 | 2-5/8 | 3-1/8 | 1/4 | .255 ^{+0.005} / _{+0.000} | 2.625 | 2.777 ^{+0.005} / _{+0.000} | 3.135 ^{+0.005} / _{+0.000} | 4.55 |
| BT21260 | 2-3/4 | 3-1/8 | 3/16 | .195 ^{+0.005} / _{+0.000} | 2.750 | 2.827 ^{+0.005} / _{+0.000} | 3.135 ^{+0.005} / _{+0.000} | 4.62 |



STYLE BT URETHANE WIPER RINGS

| Part Number | A Nom. ID | B Nom. OD | C Nom. Ht | D GROOVE WIDTH | E ROD DIAMETER | F THROAT DIAMETER | G HOUSING DIAMETER | List Price |
|-------------|--------------|--------------|--------------|--|----------------------|---|---|---------------|
| BT30090 | 2.95 | 3-1/2 | .275 | .286 ^{+0.005} / _{+0.000} | 2.950 | 3.146 ^{+0.005} / _{+0.000} | 3.510 ^{+0.005} / _{+0.000} | 5.54 |
| BT30060 | 3 | 3-3/8 | 3/16 | .195 ^{+0.005} / _{+0.000} | 3.000 | 3.110 ^{+0.005} / _{+0.000} | 3.385 ^{+0.005} / _{+0.000} | 5.07 |
| BT30080 | 3 | 3-1/2 | 1/4 | .255 ^{+0.005} / _{+0.000} | 3.000 | 3.200 ^{+0.005} / _{+0.000} | 3.510 ^{+0.005} / _{+0.000} | 5.33 |
| BT30391 | 3.165 | 3.734 | .284 | .289 ^{+0.005} / _{+0.000} | 3.165 | 3.317 ^{+0.005} / _{+0.000} | 3.744 ^{+0.005} / _{+0.000} | 5.81 |
| BT30480 | 3-1/4 | 3-3/4 | 1/4 | .255 ^{+0.005} / _{+0.000} | 3.250 | 3.450 ^{+0.005} / _{+0.000} | 3.760 ^{+0.005} / _{+0.000} | 5.91 |
| BT30890 | 3.45 | 4 | .275 | .280 ^{+0.005} / _{+0.000} | 3.450 | 3.646 ^{+0.005} / _{+0.000} | 4.010 ^{+0.005} / _{+0.000} | 6.16 |
| BT30860 | 3-1/2 | 3-7/8 | 3/16 | .195 ^{+0.005} / _{+0.000} | 3.500 | 3.610 ^{+0.005} / _{+0.000} | 3.885 ^{+0.005} / _{+0.000} | 6.01 |
| BT30880 | 3-1/2 | 4 | 1/4 | .255 ^{+0.005} / _{+0.000} | 3.500 | 3.700 ^{+0.005} / _{+0.000} | 4.010 ^{+0.005} / _{+0.000} | 6.01 |
| BT31080 | 3-5/8 | 4-1/8 | 1/4 | .255 ^{+0.005} / _{+0.000} | 3.625 | 3.777 ^{+0.005} / _{+0.000} | 4.135 ^{+0.005} / _{+0.000} | 6.35 |
| BT31280 | 3-3/4 | 4-1/4 | 1/4 | .255 ^{+0.005} / _{+0.000} | 3.750 | 3.950 ^{+0.005} / _{+0.000} | 4.260 ^{+0.005} / _{+0.000} | 6.44 |
| BT40080 | 4 | 4-1/2 | 1/4 | .255 ^{+0.005} / _{+0.000} | 4.000 | 4.200 ^{+0.005} / _{+0.000} | 4.510 ^{+0.005} / _{+0.000} | 6.67 |
| BT40480 | 4-1/4 | 4-3/4 | 1/4 | .255 ^{+0.005} / _{+0.000} | 4.250 | 4.402 ^{+0.005} / _{+0.000} | 4.760 ^{+0.005} / _{+0.000} | 7.13 |
| BT40880 | 4-1/2 | 5 | 1/4 | .255 ^{+0.005} / _{+0.000} | 4.500 | 4.700 ^{+0.005} / _{+0.000} | 5.010 ^{+0.005} / _{+0.000} | 7.47 |
| BT41280 | 4-3/4 | 5-1/4 | 1/4 | .255 ^{+0.005} / _{+0.000} | 4.750 | 4.950 ^{+0.005} / _{+0.000} | 5.260 ^{+0.005} / _{+0.000} | 7.80 |
| BT50080 | 5 | 5-1/2 | 1/4 | .255 ^{+0.005} / _{+0.000} | 5.000 | 5.152 ^{+0.005} / _{+0.000} | 5.510 ^{+0.005} / _{+0.000} | 8.58 |
| BT50880 | 5-1/2 | 6 | 1/4 | .255 ^{+0.005} / _{+0.000} | 5.500 | 5.652 ^{+0.005} / _{+0.000} | 6.010 ^{+0.005} / _{+0.000} | 10.40 |
| BT60080 | 6 | 6-1/2 | 1/4 | .255 ^{+0.005} / _{+0.000} | 6.000 | 6.200 ^{+0.005} / _{+0.000} | 6.510 ^{+0.005} / _{+0.000} | 10.99 |

WIPER RINGS

Seal color may vary. Special order sizes are available. Sizes not shown and out of stock items can also be ordered for next day delivery through Seals On Demand, our custom seal program. Please call your regional sales team for assistance.

FORMERLY LISTED SEALS ARE AVAILABLE ONLINE AT WWW.HERCULESUS.COM
OR BY CONTACTING YOUR REGIONAL HERCULES SALES TEAM.



BUNA-N WIPER CORD



STYLE KW WIPER
7580C



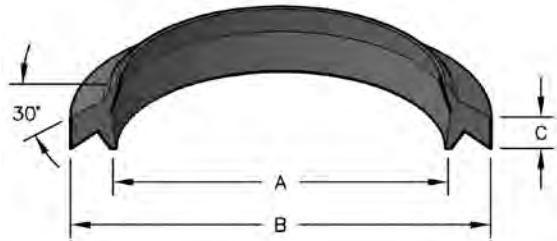
STYLE ST WIPER
7581

WIPER RINGS

| Part Number | C Nom. Ht | Nom. Cross Section | List Price |
|-------------|--------------|--------------------|------------|
| 7580C 3/16" | 3/16 | 3/16 | \$2.28 |
| 7581C 3/16" | 3/16 | 3/16 | 1.71 |
| 7580C 1/4" | 1/4 | 1/4 | 2.48 |

STYLE KW URETHANE WIPER RINGS

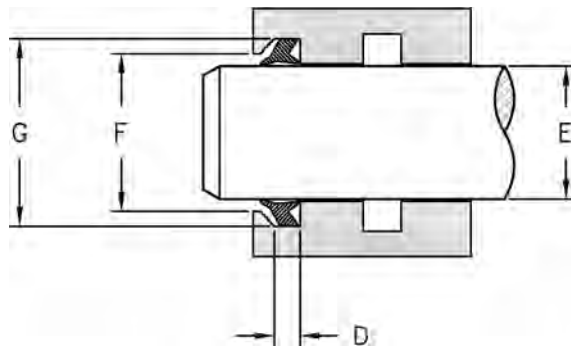
Suffix "N" designates nitrile material.



HERCULES PART NUMBERS

HW - 0500
Prefix Size

| SEAL INFORMATION | |
|-------------------|-----------------|
| MATERIAL | 90A URETHANE |
| TEMPERATURE RANGE | -40° TO +200° F |
| SPEED | 3 FT/SEC |



WIPER RINGS

| Part Number | A Nom. ID | B Nom. OD | C Nom. Ht | D GROOVE WIDTH | E ROD DIAMETER | F THROAT DIAMETER | G HOUSING DIAMETER | th THICKNESS | List Price |
|-------------|--------------|--------------|--------------|--|----------------------|---|---|-----------------|---------------|
| KW-0500 | 1/2 | 3/4 | .156 | .155 ⁺⁰¹⁵ / ₊₀₀₀ | .500 | .625 ⁺⁰¹⁵ / ₊₀₀₀ | .760 ⁺⁰⁰⁵ / ₊₀₀₀ | .156 | \$5.79 |
| KW-0625 | 5/8 | 7/8 | .156 | .155 ⁺⁰¹⁵ / ₊₀₀₀ | .625 | .750 ⁺⁰¹⁵ / ₊₀₀₀ | .885 ⁺⁰⁰⁵ / ₊₀₀₀ | .156 | 4.71 |
| KW-0750 | 3/4 | 1-1/8 | .19 | .195 ⁺⁰¹⁵ / ₊₀₀₀ | .750 | .832 ⁺⁰¹⁵ / ₊₀₀₀ | 1.135 ⁺⁰⁰⁵ / ₊₀₀₀ | .190 | 4.71 |
| KW-0875 | 7/8 | 1-1/4 | .19 | .195 ⁺⁰¹⁵ / ₊₀₀₀ | .875 | .957 ⁺⁰¹⁵ / ₊₀₀₀ | 1.260 ⁺⁰⁰⁵ / ₊₀₀₀ | .190 | 4.77 |
| KW-1000 | 1 | 1-3/8 | .19 | .195 ⁺⁰¹⁵ / ₊₀₀₀ | 1.000 | 1.082 ⁺⁰¹⁵ / ₊₀₀₀ | 1.385 ⁺⁰⁰⁵ / ₊₀₀₀ | .190 | 4.87 |
| KW-1125 | 1-1/8 | 1-1/2 | .19 | .195 ⁺⁰¹⁵ / ₊₀₀₀ | 1.125 | 1.207 ⁺⁰¹⁵ / ₊₀₀₀ | 1.510 ⁺⁰⁰⁵ / ₊₀₀₀ | .190 | 5.07 |
| KW-1250 | 1-1/4 | 1-5/8 | .19 | .195 ⁺⁰¹⁵ / ₊₀₀₀ | 1.250 | 1.332 ⁺⁰¹⁵ / ₊₀₀₀ | 1.635 ⁺⁰⁰⁵ / ₊₀₀₀ | .190 | 5.41 |
| KW-1250N | 1-1/4 | 1-5/8 | .19 | .195 ⁺⁰¹⁵ / ₊₀₀₀ | 1.250 | 1.332 ⁺⁰¹⁵ / ₊₀₀₀ | 1.635 ⁺⁰⁰⁵ / ₊₀₀₀ | .190 | 6.59 |
| KW-1375 | 1-3/8 | 1-3/4 | .19 | .195 ⁺⁰¹⁵ / ₊₀₀₀ | 1.375 | 1.457 ⁺⁰¹⁵ / ₊₀₀₀ | 1.760 ⁺⁰⁰⁵ / ₊₀₀₀ | .190 | 5.84 |
| KW-1500 | 1-1/2 | 1-7/8 | .19 | .195 ⁺⁰¹⁵ / ₊₀₀₀ | 1.500 | 1.582 ⁺⁰¹⁵ / ₊₀₀₀ | 1.885 ⁺⁰⁰⁵ / ₊₀₀₀ | .190 | 6.22 |
| KW-1625 | 1-5/8 | 2 | .19 | .195 ⁺⁰¹⁵ / ₊₀₀₀ | 1.625 | 1.707 ⁺⁰¹⁵ / ₊₀₀₀ | 2.010 ⁺⁰⁰⁵ / ₊₀₀₀ | .190 | 6.33 |
| KW-1750 | 1-3/4 | 2-1/8 | .19 | .195 ⁺⁰¹⁵ / ₊₀₀₀ | 1.750 | 1.832 ⁺⁰¹⁵ / ₊₀₀₀ | 2.135 ⁺⁰⁰⁵ / ₊₀₀₀ | .190 | 6.61 |
| KW-2000 | 2 | 2-3/8 | .19 | .195 ⁺⁰¹⁵ / ₊₀₀₀ | 2.000 | 2.082 ⁺⁰¹⁵ / ₊₀₀₀ | 2.385 ⁺⁰⁰⁵ / ₊₀₀₀ | .190 | 7.55 |
| KW-2125 | 2-1/8 | 2-1/2 | .19 | .195 ⁺⁰¹⁵ / ₊₀₀₀ | 2.125 | 2.207 ⁺⁰¹⁵ / ₊₀₀₀ | 2.510 ⁺⁰⁰⁵ / ₊₀₀₀ | .190 | 10.13 |

FORMERLY LISTED SEALS ARE AVAILABLE ONLINE AT WWW.HERCULESUS.COM
 OR BY CONTACTING YOUR REGIONAL HERCULES SALES TEAM.



STYLE KW URETHANE WIPER RINGS

WIPER RINGS

| Part Number | A Nom. ID | B Nom. OD | C Nom. Ht | D GROOVE WIDTH | E ROD DIAMETER | F THROAT DIAMETER | G HOUSING DIAMETER | th THICKNESS | List Price |
|-------------|--------------|--------------|--------------|--|----------------------|---|--|-----------------|---------------|
| KW-2250-1 | 2-1/4 | 2-5/8 | .187 | .192 ⁺⁰¹⁵ / ₊₀₀₀ | 2.250 | | 2.635 ⁺⁰⁰⁵ / ₊₀₀₀ | .187 | 7.88 |
| KW-2250 | 2-1/4 | 2-3/4 | 1/4 | .255 ⁺⁰¹⁵ / ₊₀₀₀ | 2.250 | 2.407 ⁺⁰¹⁵ / ₊₀₀₀ | 2.760 ⁺⁰⁰⁵ / ₊₀₀₀ | .250 | 7.94 |
| KW-2450N | 2.45 | 3 | .281 | .286 ⁺⁰¹⁵ / ₊₀₀₀ | 2.450 | | 3.010 ⁺⁰⁰⁵ / ₊₀₀₀ | .281 | 26.65 |
| KW-2500 | 2-1/2 | 3 | 1/4 | .255 ⁺⁰¹⁵ / ₊₀₀₀ | 2.500 | 2.657 ⁺⁰¹⁵ / ₊₀₀₀ | 3.010 ⁺⁰⁰⁵ / ₊₀₀₀ | .250 | 8.36 |
| KW-2500N | 2-1/2 | 3 | 1/4 | .255 ⁺⁰¹⁵ / ₊₀₀₀ | 2.500 | 2.657 ⁺⁰¹⁵ / ₊₀₀₀ | 3.010 ⁺⁰⁰⁵ / ₊₀₀₀ | .250 | 9.10 |
| KW-2625 | 2-5/8 | 3-1/8 | 1/4 | .255 ⁺⁰¹⁵ / ₊₀₀₀ | 2.625 | 2.782 ⁺⁰¹⁵ / ₊₀₀₀ | 3.135 ⁺⁰⁰⁵ / ₊₀₀₀ | .250 | 8.90 |
| KW-2750 | 2-3/4 | 3-1/4 | 1/4 | .255 ⁺⁰¹⁵ / ₊₀₀₀ | 2.750 | 2.907 ⁺⁰¹⁵ / ₊₀₀₀ | 3.260 ⁺⁰⁰⁵ / ₊₀₀₀ | .250 | 9.56 |
| KW-3000 | 3 | 3-1/2 | 1/4 | .255 ⁺⁰¹⁵ / ₊₀₀₀ | 3.000 | 3.157 ⁺⁰¹⁵ / ₊₀₀₀ | 3.510 ⁺⁰⁰⁵ / ₊₀₀₀ | .250 | 10.74 |
| KW-3000N | 3 | 3-1/2 | 1/4 | .255 ⁺⁰¹⁵ / ₊₀₀₀ | 3.000 | 3.157 ⁺⁰¹⁵ / ₊₀₀₀ | 3.510 ⁺⁰⁰⁵ / ₊₀₀₀ | .250 | 11.91 |
| KW-3125N | 3-1/8 | 3-5/8 | 1/4 | .255 ⁺⁰¹⁵ / ₊₀₀₀ | 3.125 | 3.282 ⁺⁰¹⁵ / ₊₀₀₀ | 3.635 ⁺⁰⁰⁵ / ₊₀₀₀ | .250 | 22.03 |
| KW-3250 | 3-1/4 | 3-3/4 | 1/4 | .255 ⁺⁰¹⁵ / ₊₀₀₀ | 3.250 | 3.407 ⁺⁰¹⁵ / ₊₀₀₀ | 3.760 ⁺⁰⁰⁵ / ₊₀₀₀ | .250 | 11.53 |
| KW-3375 | 3-3/8 | 3-7/8 | 1/4 | .255 ⁺⁰¹⁵ / ₊₀₀₀ | 3.375 | 3.532 ⁺⁰¹⁵ / ₊₀₀₀ | 3.885 ⁺⁰⁰⁵ / ₊₀₀₀ | .250 | 12.73 |
| KW-3450N | 3.45 | 4 | .243 | .248 ⁺⁰¹⁵ / ₊₀₀₀ | 3.450 | | 4.010 ⁺⁰⁰⁵ / ₊₀₀₀ | .243 | 30.06 |
| KW-3500-2 | 3-1/2 | 3-7/8 | .19 | .195 ⁺⁰¹⁵ / ₊₀₀₀ | 3.500 | | 3.885 ⁺⁰⁰⁵ / ₊₀₀₀ | .190 | 15.65 |
| KW-3500 | 3-1/2 | 4 | 1/4 | .255 ⁺⁰¹⁵ / ₊₀₀₀ | 3.500 | 3.657 ⁺⁰¹⁵ / ₊₀₀₀ | 4.010 ⁺⁰⁰⁵ / ₊₀₀₀ | .250 | 12.73 |
| KW-3750 | 3-3/4 | 4-1/4 | 1/4 | .255 ⁺⁰¹⁵ / ₊₀₀₀ | 3.750 | 3.907 ⁺⁰¹⁵ / ₊₀₀₀ | 4.260 ⁺⁰⁰⁵ / ₊₀₀₀ | .250 | 13.74 |
| KW-3950N | 3.95 | 4.45 | 1/4 | .255 ⁺⁰¹⁵ / ₊₀₀₀ | 3.950 | | 4.460 ⁺⁰⁰⁵ / ₊₀₀₀ | .250 | 16.15 |
| KW-4000 | 4 | 4-1/2 | 1/4 | .255 ⁺⁰¹⁵ / ₊₀₀₀ | 4.000 | 4.157 ⁺⁰¹⁵ / ₊₀₀₀ | 4.510 ⁺⁰⁰⁵ / ₊₀₀₀ | .250 | 16.60 |
| KW-4060 | 4-1/16 | 4-9/16 | 1/4 | .255 ⁺⁰¹⁵ / ₊₀₀₀ | 4.062 | | 4.5725 ⁺⁰⁰⁵ / ₊₀₀₀ | .250 | 17.42 |
| KW-4500 | 4-1/2 | 5 | 1/4 | .255 ⁺⁰¹⁵ / ₊₀₀₀ | 4.500 | 4.657 ⁺⁰¹⁵ / ₊₀₀₀ | 5.010 ⁺⁰⁰⁵ / ₊₀₀₀ | .250 | 19.35 |
| KW-4500N | 4-1/2 | 5 | 1/4 | .255 ⁺⁰¹⁵ / ₊₀₀₀ | 4.500 | 4.657 ⁺⁰¹⁵ / ₊₀₀₀ | 5.010 ⁺⁰⁰⁵ / ₊₀₀₀ | .250 | 35.33 |
| KW-4750N | 4-3/4 | 5-1/4 | 1/4 | .255 ⁺⁰¹⁵ / ₊₀₀₀ | 4.750 | 4.907 ⁺⁰¹⁵ / ₊₀₀₀ | 5.260 ⁺⁰⁰⁵ / ₊₀₀₀ | .250 | 30.67 |
| KW-4875 | 4-7/8 | 5-3/8 | 1/4 | .255 ⁺⁰¹⁵ / ₊₀₀₀ | 4.875 | 5.032 ⁺⁰¹⁵ / ₊₀₀₀ | 5.385 ⁺⁰⁰⁵ / ₊₀₀₀ | .250 | 19.54 |
| KW-5000 | 5 | 5-1/2 | 1/4 | .255 ⁺⁰¹⁵ / ₊₀₀₀ | 5.000 | 5.157 ⁺⁰¹⁵ / ₊₀₀₀ | 5.510 ⁺⁰⁰⁵ / ₊₀₀₀ | .250 | 21.65 |
| KW-5250N | 5-1/4 | 5-3/4 | 1/4 | .255 ⁺⁰¹⁵ / ₊₀₀₀ | 5.250 | 5.407 ⁺⁰¹⁵ / ₊₀₀₀ | 5.760 ⁺⁰⁰⁵ / ₊₀₀₀ | .250 | 34.02 |
| KW-5375 | 5-3/8 | 5-7/8 | 1/4 | .255 ⁺⁰¹⁵ / ₊₀₀₀ | 5.375 | | 5.885 ⁺⁰⁰⁵ / ₊₀₀₀ | .250 | 24.57 |
| KW-6000 | 6 | 6-1/2 | 1/4 | .255 ⁺⁰¹⁵ / ₊₀₀₀ | 6.000 | 6.157 ⁺⁰¹⁵ / ₊₀₀₀ | 6.510 ⁺⁰⁰⁵ / ₊₀₀₀ | .250 | 24.20 |
| KW-7000 | 7 | 7-1/2 | 1/4 | .255 ⁺⁰¹⁵ / ₊₀₀₀ | 7.000 | 7.157 ⁺⁰¹⁵ / ₊₀₀₀ | 7.510 ⁺⁰⁰⁵ / ₊₀₀₀ | .250 | 26.22 |
| KW-8000 | 8 | 8-1/2 | 1/4 | .255 ⁺⁰¹⁵ / ₊₀₀₀ | 8.000 | 8.157 ⁺⁰¹⁵ / ₊₀₀₀ | 8.510 ⁺⁰⁰⁵ / ₊₀₀₀ | .250 | 57.58 |
| KW-8000N | 8 | 8-1/2 | 1/4 | .255 ⁺⁰¹⁵ / ₊₀₀₀ | 8.000 | 8.157 ⁺⁰¹⁵ / ₊₀₀₀ | 8.510 ⁺⁰⁰⁵ / ₊₀₀₀ | .250 | 57.58 |
| KW-8125 | 8-1/8 | 8.63 | 1/4 | .255 ⁺⁰¹⁵ / ₊₀₀₀ | 8.125 | | 8.640 ⁺⁰⁰⁵ / ₊₀₀₀ | .250 | 49.77 |
| KW-9125 | 9-1/8 | 9.63 | 1/4 | .255 ⁺⁰¹⁵ / ₊₀₀₀ | 9.125 | | 9.640 ⁺⁰⁰⁵ / ₊₀₀₀ | .250 | 86.73 |
| KW-9375 | 9-3/8 | 9.89 | 1/4 | .255 ⁺⁰¹⁵ / ₊₀₀₀ | 9.375 | | 9.900 ⁺⁰⁰⁵ / ₊₀₀₀ | .250 | 92.31 |

NORTH AMERICA
PHONE 1-800-777-5617
FAX 1-800-759-6391

SALES OFFICE HOURS
8 A.M. TO 7:30 P.M. EASTERN TIME
www.HerculesUS.com

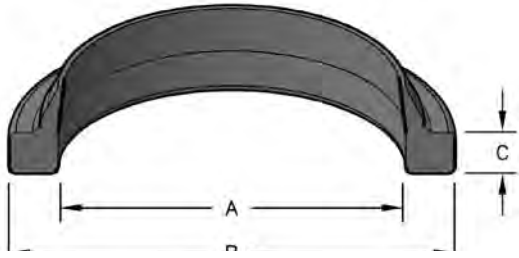
WORLDWIDE
PHONE 1-727-796-1300
FAX 1-727-797-8849

**STYLE KW URETHANE WIPER RINGS**

| Part Number | A Nom. ID | B Nom. OD | C Nom. Ht | D GROOVE WIDTH | E ROD DIAMETER | F THROAT DIAMETER | G HOUSING DIAMETER | th THICKNESS | List Price |
|-------------|--------------|--------------|--------------|--|----------------------|---|---|-----------------|---------------|
| KW-0500 | 1/2 | 3/4 | .156 | .155 ⁺⁰¹⁵ / ₊₀₀₀ | .500 | .625 ⁺⁰¹⁵ / ₊₀₀₀ | .760 ⁺⁰⁰⁵ / ₊₀₀₀ | .156 | \$5.79 |
| KW-0625 | 5/8 | 7/8 | .156 | .155 ⁺⁰¹⁵ / ₊₀₀₀ | .625 | .750 ⁺⁰¹⁵ / ₊₀₀₀ | .885 ⁺⁰⁰⁵ / ₊₀₀₀ | .156 | 4.71 |
| KW-0750 | 3/4 | 1-1/8 | .19 | .195 ⁺⁰¹⁵ / ₊₀₀₀ | .750 | .832 ⁺⁰¹⁵ / ₊₀₀₀ | 1.135 ⁺⁰⁰⁵ / ₊₀₀₀ | .190 | 4.71 |
| KW-0875 | 7/8 | 1-1/4 | .19 | .195 ⁺⁰¹⁵ / ₊₀₀₀ | .875 | .957 ⁺⁰¹⁵ / ₊₀₀₀ | 1.260 ⁺⁰⁰⁵ / ₊₀₀₀ | .190 | 4.77 |
| KW-1000 | 1 | 1-3/8 | .19 | .195 ⁺⁰¹⁵ / ₊₀₀₀ | 1.000 | 1.082 ⁺⁰¹⁵ / ₊₀₀₀ | 1.385 ⁺⁰⁰⁵ / ₊₀₀₀ | .190 | 4.87 |
| KW-1125 | 1-1/8 | 1-1/2 | .19 | .195 ⁺⁰¹⁵ / ₊₀₀₀ | 1.125 | 1.207 ⁺⁰¹⁵ / ₊₀₀₀ | 1.510 ⁺⁰⁰⁵ / ₊₀₀₀ | .190 | 5.07 |
| KW-1250 | 1-1/4 | 1-5/8 | .19 | .195 ⁺⁰¹⁵ / ₊₀₀₀ | 1.250 | 1.332 ⁺⁰¹⁵ / ₊₀₀₀ | 1.635 ⁺⁰⁰⁵ / ₊₀₀₀ | .190 | 5.41 |
| KW-1250N | 1-1/4 | 1-5/8 | .19 | .195 ⁺⁰¹⁵ / ₊₀₀₀ | 1.250 | 1.332 ⁺⁰¹⁵ / ₊₀₀₀ | 1.635 ⁺⁰⁰⁵ / ₊₀₀₀ | .190 | 6.59 |
| KW-1375 | 1-3/8 | 1-3/4 | .19 | .195 ⁺⁰¹⁵ / ₊₀₀₀ | 1.375 | 1.457 ⁺⁰¹⁵ / ₊₀₀₀ | 1.760 ⁺⁰⁰⁵ / ₊₀₀₀ | .190 | 5.84 |
| KW-1500 | 1-1/2 | 1-7/8 | .19 | .195 ⁺⁰¹⁵ / ₊₀₀₀ | 1.500 | 1.582 ⁺⁰¹⁵ / ₊₀₀₀ | 1.885 ⁺⁰⁰⁵ / ₊₀₀₀ | .190 | 6.22 |
| KW-1625 | 1-5/8 | 2 | .19 | .195 ⁺⁰¹⁵ / ₊₀₀₀ | 1.625 | 1.707 ⁺⁰¹⁵ / ₊₀₀₀ | 2.010 ⁺⁰⁰⁵ / ₊₀₀₀ | .190 | 6.33 |
| KW-1750 | 1-3/4 | 2-1/8 | .19 | .195 ⁺⁰¹⁵ / ₊₀₀₀ | 1.750 | 1.832 ⁺⁰¹⁵ / ₊₀₀₀ | 2.135 ⁺⁰⁰⁵ / ₊₀₀₀ | .190 | 6.61 |
| KW-2000 | 2 | 2-3/8 | .19 | .195 ⁺⁰¹⁵ / ₊₀₀₀ | 2.000 | 2.082 ⁺⁰¹⁵ / ₊₀₀₀ | 2.385 ⁺⁰⁰⁵ / ₊₀₀₀ | .190 | 7.55 |
| KW-2125 | 2-1/8 | 2-1/2 | .19 | .195 ⁺⁰¹⁵ / ₊₀₀₀ | 2.125 | 2.207 ⁺⁰¹⁵ / ₊₀₀₀ | 2.510 ⁺⁰⁰⁵ / ₊₀₀₀ | .190 | 10.13 |

WIPER RINGS

STYLE SWNC WIPER RINGS

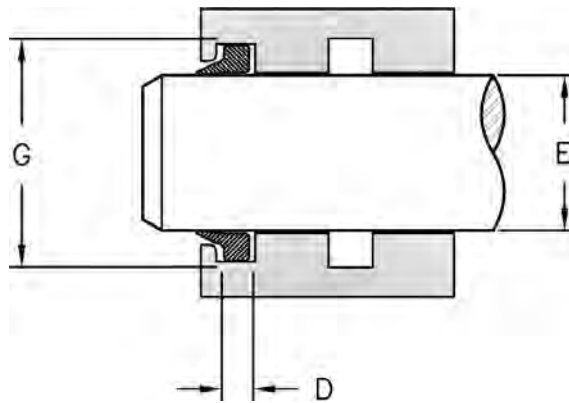


HERCULES PART NUMBERS

SWNC - 062
Prefix Size

SEAL INFORMATION

| | |
|-------------------|-----------------|
| MATERIAL | BUNA-N |
| TEMPERATURE RANGE | -22° TO +212° F |
| SPEED | 3 FT/SEC |



WIPER RINGS

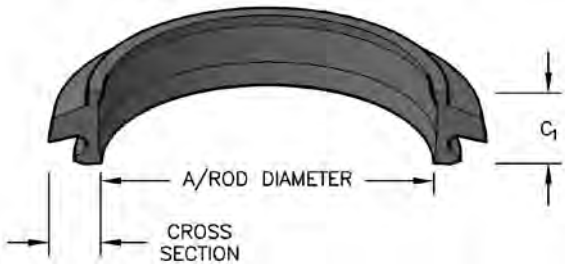
| Part Number | A Nom. ID | B Nom. OD | C Nom. Ht | D GROOVE WIDTH | E ROD DIAMETER | G HOUSING DIAMETER | List Price |
|-------------|--------------|--------------|--------------|--|----------------------|---|---------------|
| SWNC-62 | 5/8 | 1.02 | 1/8 | .125 ^{+0.04} / _{+0.00} | .625 | 1.025 ^{+0.04} / _{+0.00} | \$3.89 |
| SWNC-75 | 3/4 | 1.15 | 1/8 | .125 ^{+0.04} / _{+0.00} | .750 | 1.150 ^{+0.04} / _{+0.00} | 3.36 |
| SWNC-87 | 7/8 | 1.275 | 1/8 | .125 ^{+0.04} / _{+0.00} | .875 | 1.275 ^{+0.04} / _{+0.00} | 3.36 |
| SWNC-100 | 1 | 1-3/8 | 1/8 | .125 ^{+0.04} / _{+0.00} | 1.000 | 1.375 ^{+0.04} / _{+0.00} | 7.61 |
| SWNC-100A | 1 | 1.4 | 1/8 | .125 ^{+0.04} / _{+0.00} | 1.000 | 1.400 ^{+0.04} / _{+0.00} | 3.36 |
| SWNC-112 | 1-1/8 | 1-5/8 | 1/8 | .125 ^{+0.04} / _{+0.00} | 1.125 | 1.625 ^{+0.04} / _{+0.00} | 3.89 |
| SWNC-125 | 1-1/4 | 1-3/4 | 1/8 | .125 ^{+0.04} / _{+0.00} | 1.250 | 1.750 ^{+0.04} / _{+0.00} | 3.89 |
| SWNC-137 | 1-3/8 | 1-7/8 | 1/8 | .125 ^{+0.04} / _{+0.00} | 1.375 | 1.875 ^{+0.04} / _{+0.00} | 4.81 |
| SWNC-150 | 1-1/2 | 2 | 1/8 | .125 ^{+0.04} / _{+0.00} | 1.500 | 2.000 ^{+0.04} / _{+0.00} | 3.89 |
| SWNC-162 | 1-5/8 | 2-1/8 | 1/8 | .125 ^{+0.04} / _{+0.00} | 1.625 | 2.125 ^{+0.04} / _{+0.00} | 8.33 |
| SWNC-175 | 1-3/4 | 2-1/4 | 1/8 | .125 ^{+0.04} / _{+0.00} | 1.750 | 2.250 ^{+0.04} / _{+0.00} | 3.98 |
| SWNC-187 | 1-7/8 | 2-3/8 | 1/8 | .125 ^{+0.04} / _{+0.00} | 1.875 | 2.375 ^{+0.04} / _{+0.00} | 5.73 |
| SWNC-200 | 2 | 2-1/2 | 1/8 | .125 ^{+0.04} / _{+0.00} | 2.000 | 2.500 ^{+0.04} / _{+0.00} | 3.98 |
| SWNC-225 | 2-1/4 | 2-3/4 | 1/8 | .125 ^{+0.04} / _{+0.00} | 2.250 | 2.750 ^{+0.04} / _{+0.00} | 4.97 |
| SWNC-237 | 2-3/8 | 2-7/8 | 1/8 | .125 ^{+0.04} / _{+0.00} | 2.375 | 2.875 ^{+0.04} / _{+0.00} | 5.73 |
| SWNC-250 | 2-1/2 | 3 | 1/8 | .125 ^{+0.04} / _{+0.00} | 2.500 | 3.000 ^{+0.04} / _{+0.00} | 4.53 |

STYLE SWNC WIPER RINGS

| Part Number | A Nom. ID | B Nom. OD | C Nom. Ht | D GROOVE WIDTH | E ROD DIAMETER | G HOUSING DIAMETER | List Price |
|-------------|--------------|--------------|--------------|--|----------------------|---|---------------|
| SWNC-275 | 2-3/4 | 3-1/4 | 1/8 | .125 ^{+0.04} / _{+0.00} | 2.750 | 3.250 ^{+0.04} / _{+0.00} | 5.34 |
| SWNC-300 | 3 | 3-1/2 | 1/8 | .125 ^{+0.04} / _{+0.00} | 3.000 | 3.500 ^{+0.04} / _{+0.00} | 5.48 |
| SWNC-325 | 3-1/4 | 4 | 3/16 | .187 ^{+0.04} / _{+0.00} | 3.250 | 4.000 ^{+0.04} / _{+0.00} | 10.28 |
| SWNC-337 | 3-3/8 | 4-1/8 | 3/16 | .187 ^{+0.04} / _{+0.00} | 3.375 | 4.125 ^{+0.04} / _{+0.00} | 14.70 |
| SWNC-350 | 3-1/2 | 4-1/4 | 3/16 | .187 ^{+0.04} / _{+0.00} | 3.500 | 4.250 ^{+0.04} / _{+0.00} | 10.04 |
| SWNC-400 | 4 | 4-3/4 | 3/16 | .187 ^{+0.04} / _{+0.00} | 4.000 | 4.750 ^{+0.04} / _{+0.00} | 10.98 |
| SWNC-425 | 4-1/4 | 5 | 3/16 | .187 ^{+0.04} / _{+0.00} | 4.250 | 5.000 ^{+0.04} / _{+0.00} | 17.10 |
| SWNC-450 | 4-1/2 | 5-1/4 | 3/16 | .187 ^{+0.04} / _{+0.00} | 4.500 | 5.250 ^{+0.04} / _{+0.00} | 11.50 |
| SWNC-500 | 5 | 5-3/4 | 3/16 | .187 ^{+0.04} / _{+0.00} | 5.000 | 5.750 ^{+0.04} / _{+0.00} | 19.79 |

WIPER RINGS

CASCADE WIPERS

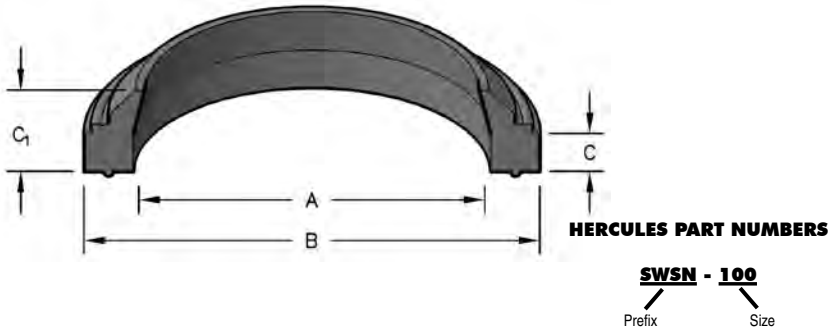


HERCULES PART NUMBERS
CAS - 605609
 Prefix Size

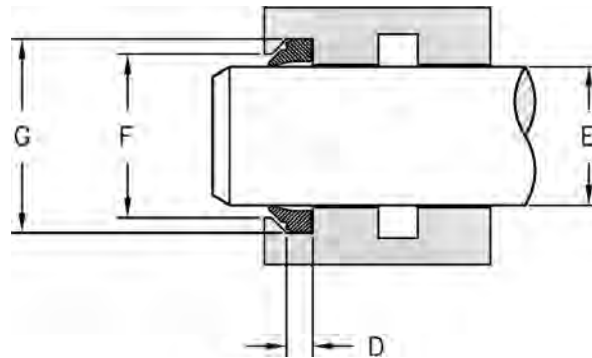
| SEAL INFORMATION | |
|-------------------|-----------------|
| MATERIAL | URETHANE |
| TEMPERATURE RANGE | -65° TO +220° F |
| SPEED | 3 FT/SEC |

| Part Number | A Nom. ID | C ₁ OVERALL HEIGHT | E ROD DIAMETER | C HEIGHT | CROSS SECTION | List Price |
|-------------|--------------|----------------------------------|----------------------|-------------|------------------|---------------|
| CAS-605609 | 2.7 | .485 | 2.700 | .485 | .330 ±.005 | \$16.86 |
| CAS-605648 | 2.825 | .485 | 2.825 | .485 | .330 ±.005 | 18.01 |
| CAS-605611 | 3.2 | .485 | 3.200 | .485 | .330 ±.005 | 19.45 |
| CAS-605613 | 3.7 | .485 | 3.700 | .485 | .330 ±.005 | 38.35 |
| CAS-605620 | 5.45 | .485 | 5.450 | .485 | .330 ±.005 | 45.97 |

STYLE SWSN WIPERS



| SEAL INFORMATION | |
|-------------------|-----------------|
| MATERIAL | BUNA-N |
| TEMPERATURE RANGE | -22° TO +212° F |
| SPEED | 3 FT/SEC |



WIPER RINGS

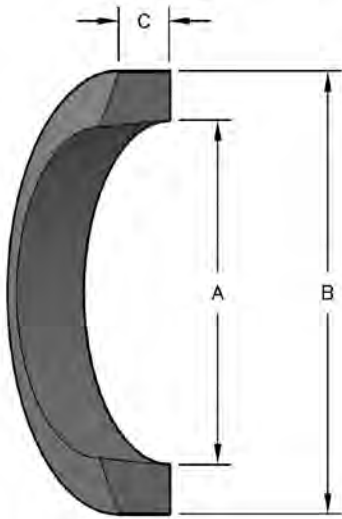
| Part Number | A Nom. ID | B Nom. OD | C Nom. Ht | C ₁ OVERALL HEIGHT | D GROOVE WIDTH | E ROD DIAMETER | F THROAT DIAMETER | G HOUSING DIAMETER | List Price |
|-------------|--------------|--------------|--------------|----------------------------------|--|----------------------|---|---|---------------|
| SWSN-100 | 1 | 1-1/2 | 13/64 | .400 | .208 ^{+0.008} / _{+0.000} | 1.000 | 1.250 ^{+0.008} / _{+0.000} | 1.500 ^{+0.008} / _{+0.000} | \$3.82 |
| SWSN-112 | 1-1/8 | 1-5/8 | 13/64 | .400 | .208 ^{+0.008} / _{+0.000} | 1.125 | 1.375 ^{+0.008} / _{+0.000} | 1.625 ^{+0.008} / _{+0.000} | 4.09 |
| SWSN-125 | 1-1/4 | 1-3/4 | 13/64 | .400 | .208 ^{+0.008} / _{+0.000} | 1.250 | 1.500 ^{+0.008} / _{+0.000} | 1.750 ^{+0.008} / _{+0.000} | 3.21 |
| SWSN-150 | 1-1/2 | 2 | 13/64 | .400 | .208 ^{+0.008} / _{+0.000} | 1.500 | 1.750 ^{+0.008} / _{+0.000} | 2.000 ^{+0.008} / _{+0.000} | 3.94 |
| SWSN-175A | 1-3/4 | 2-1/8 | 13/64 | .400 | .208 ^{+0.008} / _{+0.000} | 1.750 | 1.937 ^{+0.008} / _{+0.000} | 2.125 ^{+0.008} / _{+0.000} | 12.46 |
| SWSN-175 | 1-3/4 | 2-1/4 | 13/64 | .400 | .208 ^{+0.008} / _{+0.000} | 1.750 | 2.000 ^{+0.008} / _{+0.000} | 2.250 ^{+0.008} / _{+0.000} | 3.94 |
| SWSN-187 | 1-7/8 | 2-3/8 | 13/64 | .400 | .208 ^{+0.008} / _{+0.000} | 1.875 | 2.125 ^{+0.008} / _{+0.000} | 2.375 ^{+0.008} / _{+0.000} | 4.93 |
| SWSN-200 | 2 | 2-1/2 | 13/64 | .400 | .208 ^{+0.008} / _{+0.000} | 2.000 | 2.250 ^{+0.008} / _{+0.000} | 2.500 ^{+0.008} / _{+0.000} | 4.09 |
| SWSN-212 | 2-1/8 | 2-5/8 | 13/64 | .400 | .208 ^{+0.008} / _{+0.000} | 2.125 | 2.375 ^{+0.008} / _{+0.000} | 2.625 ^{+0.008} / _{+0.000} | 5.92 |
| SWSN-225 | 2-1/4 | 2-3/4 | 13/64 | .400 | .208 ^{+0.008} / _{+0.000} | 2.250 | 2.500 ^{+0.008} / _{+0.000} | 2.750 ^{+0.008} / _{+0.000} | 5.31 |
| SWSN-250 | 2-1/2 | 3 | 13/64 | .400 | .208 ^{+0.008} / _{+0.000} | 2.500 | 2.750 ^{+0.008} / _{+0.000} | 3.000 ^{+0.008} / _{+0.000} | 5.43 |
| SWSN-275 | 2-3/4 | 3-1/4 | 13/64 | .400 | .208 ^{+0.008} / _{+0.000} | 2.750 | 3.000 ^{+0.008} / _{+0.000} | 3.250 ^{+0.008} / _{+0.000} | 4.93 |
| SWSN-300 | 3 | 3-1/2 | 13/64 | .400 | .208 ^{+0.008} / _{+0.000} | 3.000 | 3.250 ^{+0.008} / _{+0.000} | 3.500 ^{+0.008} / _{+0.000} | 5.79 |
| SWSN-325 | 3-1/4 | 3-3/4 | 13/64 | .400 | .208 ^{+0.008} / _{+0.000} | 3.250 | 3.500 ^{+0.008} / _{+0.000} | 3.750 ^{+0.008} / _{+0.000} | 10.24 |
| SWSN-337 | 3-3/8 | 3-7/8 | 13/64 | .400 | .208 ^{+0.008} / _{+0.000} | 3.375 | 3.625 ^{+0.008} / _{+0.000} | 3.875 ^{+0.008} / _{+0.000} | 6.54 |
| SWSN-350 | 3-1/2 | 4 | 13/64 | .400 | .208 ^{+0.008} / _{+0.000} | 3.500 | 3.750 ^{+0.008} / _{+0.000} | 4.000 ^{+0.008} / _{+0.000} | 7.52 |



STYLE SWSN WIPERS

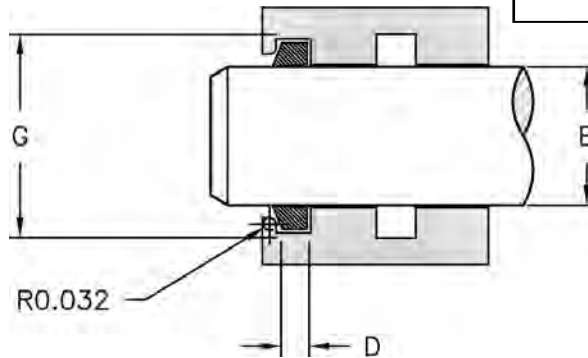
| Part Number | A Nom. ID | B Nom. OD | C Nom. Ht | C ₁ OVERALL HEIGHT | D GROOVE WIDTH | E ROD DIAMETER | F THROAT DIAMETER | G HOUSING DIAMETER | List Price |
|-------------|--------------|--------------|--------------|----------------------------------|--|----------------------|---|---|---------------|
| SWSN-362 | 3-5/8 | 4-1/8 | 13/64 | .400 | .208 ^{+0.008} _{+0.000} | 3.625 | 3.875 ^{+0.008} _{+0.000} | 4.125 ^{+0.008} _{+0.000} | 8.17 |
| SWSN-400 | 4 | 4-1/2 | 13/64 | .400 | .208 ^{+0.008} _{+0.000} | 4.000 | 4.250 ^{+0.008} _{+0.000} | 4.500 ^{+0.008} _{+0.000} | 9.75 |

STYLE SWNB WIPER RINGS



HERCULES PART NUMBERS

SWNB - 02
Prefix Size



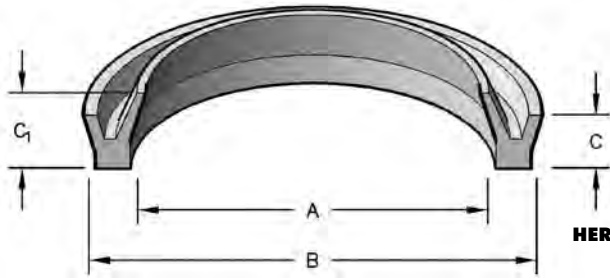
SEAL INFORMATION

| | |
|-------------------|-----------------|
| MATERIAL | BUNA-N |
| TEMPERATURE RANGE | -22° TO +212° F |
| SPEED | 3 FT/SEC |

WIPER RINGS

| Part Number | A Nom. ID | B Nom. OD | D GROOVE WIDTH | E ROD DIAMETER | G HOUSING DIAMETER | List Price |
|-------------|--------------|--------------|----------------------|----------------------|--------------------------|---------------|
| SWNB-62 | 5/8 | .82 | .140 | .625 | .820 | \$3.13 |
| SWNB-75 | 3/4 | .95 | .140 | .750 | .950 | 4.89 |
| SWNB-87 | 7/8 | 1.08 | .150 | .875 | 1.080 | 3.79 |
| SWNB-100 | 1 | 1.24 | .160 | 1.000 | 1.240 | 3.14 |
| SWNB-112 | 1-1/8 | 1-3/8 | .160 | 1.125 | 1.375 | 3.27 |
| SWNB-125 | 1-1/4 | 1.49 | .170 | 1.250 | 1.490 | 3.79 |
| SWNB-137 | 1-3/8 | 1-5/8 | .170 | 1.375 | 1.625 | 3.79 |
| SWNB-150 | 1-1/2 | 1.77 | .180 | 1.500 | 1.770 | 3.51 |
| SWNB-175 | 1-3/4 | 2.03 | .190 | 1.750 | 2.030 | 3.79 |
| SWNB-187 | 1-7/8 | 2.16 | .190 | 1.875 | 2.160 | 5.20 |
| SWNB-200 | 2 | 2.3 | .200 | 2.000 | 2.300 | 4.68 |
| SWNB-212 | 2-1/8 | 2.43 | .210 | 2.125 | 2.430 | 5.20 |
| SWNB-225 | 2-1/4 | 2.57 | .210 | 2.250 | 2.570 | 4.41 |
| SWNB-237 | 2-3/8 | 2.7 | .220 | 2.375 | 2.700 | 5.33 |
| SWNB-250 | 2-1/2 | 2.84 | .220 | 2.500 | 2.840 | 4.55 |
| SWNB-262 | 2-5/8 | 2.97 | .230 | 2.625 | 2.970 | 5.20 |
| SWNB-275 | 2-3/4 | 3.11 | .230 | 2.750 | 3.110 | 4.68 |
| SWNB-287 | 2-7/8 | 3.24 | .240 | 2.875 | 3.240 | 5.59 |
| SWNB-300 | 3 | 3.38 | .240 | 3.000 | 3.380 | 4.68 |
| SWNB-312 | 3-1/8 | 3-1/2 | .250 | 3.125 | 3.500 | 5.09 |
| SWNB-350 | 3-1/2 | 3.92 | .270 | 3.500 | 3.920 | 5.72 |
| SWNB-362 | 3-5/8 | 4.05 | .270 | 3.625 | 4.050 | 7.16 |
| SWNB-375 | 3-3/4 | 4.19 | .280 | 3.750 | 4.190 | 5.86 |

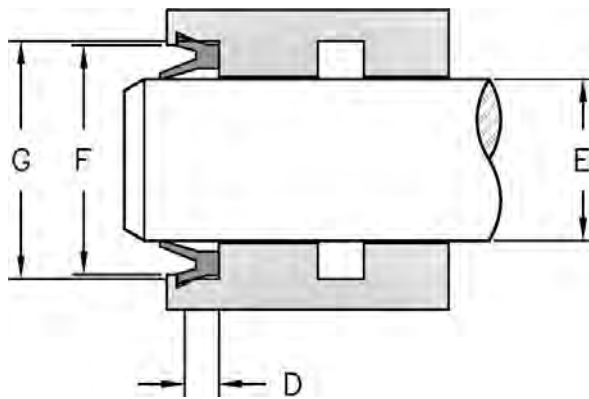
STYLE CSW SNAP-IN WIPER RINGS



HERCULES PART NUMBERS

CSW - 62
Prefix Size

| SEAL INFORMATION | |
|-------------------|-----------------|
| MATERIAL | NYLON |
| TEMPERATURE RANGE | -40° TO +212° F |
| SPEED | 3 FT/SEC |

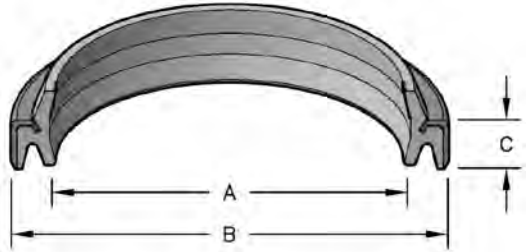


WIPER RINGS

| Part Number | A Nom. ID | B Nom. OD | C Nom. Ht | C ₁ OVERALL HEIGHT | D GROOVE WIDTH | E ROD DIAMETER | F THROAT DIAMETER | G HOUSING DIAMETER | List Price |
|-------------|-----------|-----------|-----------|-------------------------------|----------------|----------------|-------------------|--------------------|------------|
| CSW-62 | 5/8 | 1 | 11/64 | .250 | .172 | .625 | .938 | 1.000 | \$4.17 |
| CSW-87 | 7/8 | 1-3/8 | 15/64 | .345 | .235 | .875 | 1.313 | 1.375 | 3.66 |
| CSW-100 | 1 | 1-1/2 | 15/64 | .345 | .235 | 1.000 | 1.438 | 1.500 | 4.17 |
| CSW-112 | 1-1/8 | 1-5/8 | 15/64 | .345 | .235 | 1.125 | 1.563 | 1.625 | 3.76 |
| CSW-125 | 1-1/4 | 1-3/4 | 15/64 | .345 | .235 | 1.250 | 1.688 | 1.750 | 4.54 |
| CSW-137 | 1-3/8 | 1-7/8 | 15/64 | .345 | .235 | 1.375 | 1.813 | 1.875 | 5.03 |
| CSW-150 | 1-1/2 | 2 | 15/64 | .345 | .235 | 1.500 | 1.938 | 2.000 | 4.03 |
| CSW-162 | 1-5/8 | 2-1/8 | 15/64 | .345 | .235 | 1.625 | 2.063 | 2.125 | 4.93 |
| CSW-175 | 1-3/4 | 2-1/4 | 15/64 | .345 | .235 | 1.750 | 2.188 | 2.250 | 4.67 |
| CSW-200 | 2 | 2-1/2 | 15/64 | .345 | .235 | 2.000 | 2.438 | 2.500 | 5.16 |
| CSW-225 | 2-1/4 | 2-3/4 | 15/64 | .345 | .235 | 2.250 | 2.688 | 2.750 | 7.56 |
| CSW-250 | 2-1/2 | 3 | 15/64 | .345 | .235 | 2.500 | 2.938 | 3.000 | 6.78 |
| CSW-275 | 2-3/4 | 3-1/4 | 15/64 | .345 | .235 | 2.750 | 3.188 | 3.250 | 9.08 |
| CSW-325 | 3-1/4 | 3-3/4 | 15/64 | .345 | .235 | 3.250 | 3.688 | 3.750 | 10.57 |
| CSW-350 | 3-1/2 | 4 | 15/64 | .345 | .235 | 3.500 | 3.938 | 4.000 | 10.08 |
| CSW-400 | 4 | 4-1/2 | 15/64 | .345 | .235 | 4.000 | 4.438 | 4.500 | 11.84 |

STYLE MCKU METAL CLAD WIPER RINGS

Utilizing a double lip of urethane bonded to a carbon steel case, this wiper prevents contaminant ingress at the wiping lip and around the outer case.



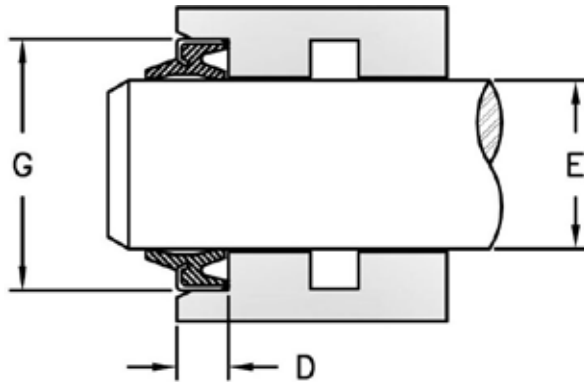
HERCULES PART NUMBERS

MCKU - 2000

Prefix Size

SEAL INFORMATION

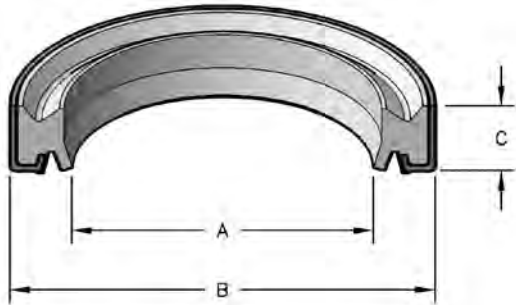
| | |
|-------------------|-----------------|
| MATERIAL | 93A URETHANE |
| TEMPERATURE RANGE | -31° TO +212° F |
| SPEED | 3 FT/SEC |



WIPER RINGS

| Part Number | A Nom. ID | B Nom. OD | C Nom. Ht | D GROOVE WIDTH | E ROD DIAMETER | G HOUSING DIAMETER | List Price |
|-------------|--------------|--------------|--------------|--|---|---|---------------|
| MCKU-2000 | 2 | 2-1/2 | 5/16 | .313 ^{+0.015} / _{+0.000} | 2.000 ^{+0.0000} / _{-0.0029} | 2.500 ^{+0.0075} / _{+0.0000} | \$ 18.82 |
| MCKU-2250 | 2-1/4 | 2-3/4 | 5/16 | .313 ^{+0.015} / _{+0.000} | 2.250 ^{+0.0000} / _{-0.0029} | 2.750 ^{+0.0075} / _{+0.0000} | 25.61 |
| MCKU-2500 | 2-1/2 | 3 | 5/16 | .313 ^{+0.015} / _{+0.000} | 2.500 ^{+0.0000} / _{-0.0029} | 3.000 ^{+0.0075} / _{+0.0000} | 23.37 |
| MCKU-2624 | 2-5/8 | 3-1/8 | 5/16 | .313 ^{+0.015} / _{+0.000} | 2.625 ^{+0.0000} / _{-0.0029} | 3.125 ^{+0.0075} / _{+0.0000} | 31.68 |
| MCKU-2750 | 2-3/4 | 3-1/4 | 5/16 | .313 ^{+0.015} / _{+0.000} | 2.750 ^{+0.0000} / _{-0.0029} | 3.250 ^{+0.0087} / _{+0.0000} | 24.24 |
| MCKU-3000 | 3 | 3-1/2 | 5/16 | .313 ^{+0.015} / _{+0.000} | 3.000 ^{+0.0000} / _{-0.0029} | 3.500 ^{+0.0087} / _{+0.0000} | 25.18 |
| MCKU-3254 | 3-1/4 | 3-3/4 | 5/16 | .313 ^{+0.015} / _{+0.000} | 3.250 ^{+0.0000} / _{-0.0034} | 3.750 ^{+0.0087} / _{+0.0000} | 27.58 |
| MCKU-3506 | 3-1/2 | 4-1/8 | 5/16 | .313 ^{+0.015} / _{+0.000} | 3.500 ^{+0.0000} / _{-0.0034} | 4.125 ^{+0.0087} / _{+0.0000} | 28.36 |
| MCKU-4005 | 4 | 4-5/8 | 5/16 | .313 ^{+0.015} / _{+0.000} | 4.000 ^{+0.0000} / _{-0.0034} | 4.625 ^{+0.0087} / _{+0.0000} | 30.92 |

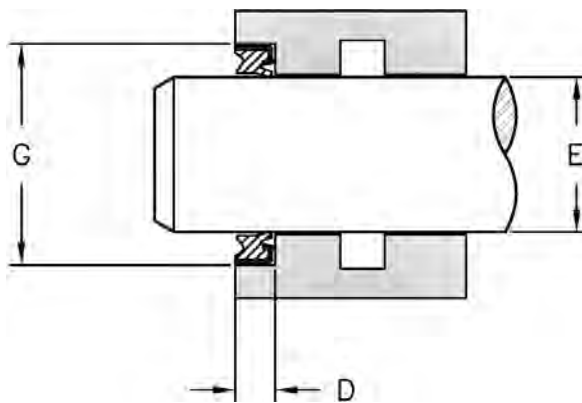
STYLE MCHD METAL CLAD WIPERS



HERCULES PART NUMBERS

MCHD - 1506 - D
 Prefix Size

| SEAL INFORMATION | |
|-------------------|-----------------|
| MATERIAL | 92A URETHANE |
| TEMPERATURE RANGE | -65° TO +230° F |
| SPEED | 3 FT/SEC |



WIPER RINGS

| Part Number | A Nom. ID | B Nom. OD | C Nom. Ht | D GROOVE WIDTH | E ROD DIAMETER | G HOUSING DIAMETER | List Price |
|-------------|--------------|--------------|--------------|----------------------|--|--------------------------|---------------|
| MCHD-1506-D | 1-1/2 | 2-1/4 | 7/16 | .430 ±.020 | 1.500 ^{+0.000} / _{-.003} | 2.250 ±.001 | \$27.54 |
| MCHD-1755-D | 1-3/4 | 2-7/16 | 7/16 | .430 ±.020 | 1.750 ^{+0.000} / _{-.003} | 2.438 ±.001 | 28.05 |
| MCHD-1876-D | 1-7/8 | 2-9/16 | 7/16 | .430 ±.020 | 1.875 ^{+0.000} / _{-.003} | 2.563 ±.001 | 28.52 |
| MCHD-2006-D | 2 | 2-11/16 | 7/16 | .430 ±.020 | 2.000 ^{+0.000} / _{-.003} | 2.688 ±.001 | 29.40 |
| MCHD-2125-D | 2-1/8 | 2-7/8 | 7/16 | .430 ±.020 | 2.125 ^{+0.000} / _{-.003} | 2.875 ±.001 | 30.03 |
| MCHD-2253-D | 2-1/4 | 3 | 7/16 | .430 ±.020 | 2.250 ^{+0.000} / _{-.003} | 3.000 ±.001 | 30.64 |
| MCHD-2376-D | 2-3/8 | 3-1/8 | 7/16 | .430 ±.020 | 2.375 ^{+0.000} / _{-.003} | 3.125 ±.001 | 31.81 |
| MCHD-2502-D | 2-1/2 | 3-1/4 | 7/16 | .430 ±.020 | 2.500 ^{+0.000} / _{-.003} | 3.250 ±.001 | 33.00 |
| MCHD-2504-D | 2-1/2 | 3-5/16 | 7/16 | .430 ±.020 | 2.500 ^{+0.000} / _{-.003} | 3.313 ±.001 | 33.11 |
| MCHD-2626-D | 2-5/8 | 3-3/8 | 7/16 | .430 ±.020 | 2.625 ^{+0.000} / _{-.003} | 3.375 ±.001 | 22.23 |
| MCHD-2755-D | 2-3/4 | 3-3/4 | 1/2 | .550 ±.020 | 2.750 ^{+0.000} / _{-.003} | 3.750 ±.001 | 34.95 |
| MCHD-3008-D | 3 | 4 | 1/2 | .550 ±.020 | 3.000 ^{+0.000} / _{-.004} | 4.000 ±.001 | 36.11 |
| MCHD-3250-D | 3-1/4 | 4-1/4 | 1/2 | .550 ±.020 | 3.250 ^{+0.000} / _{-.004} | 4.250 ±.001 | 37.14 |
| MCHD-3508-D | 3-1/2 | 4-1/2 | 1/2 | .550 ±.020 | 3.500 ^{+0.000} / _{-.004} | 4.500 ±.001 | 38.06 |
| MCHD-3751-D | 3-3/4 | 4-3/4 | 1/2 | .550 ±.020 | 3.750 ^{+0.000} / _{-.004} | 4.750 ±.001 | 38.73 |
| MCHD-4000-D | 4 | 5 | 1/2 | .550 ±.020 | 4.000 ^{+0.000} / _{-.004} | 5.000 ±.001 | 39.00 |

FORMERLY LISTED SEALS ARE AVAILABLE ONLINE AT WWW.HERCULESUS.COM
 OR BY CONTACTING YOUR REGIONAL HERCULES SALES TEAM.



STYLE MCHD METAL CLAD WIPERS

WIPER RINGS

| Part Number | A Nom. ID | B Nom. OD | C Nom. Ht | D GROOVE WIDTH | E ROD DIAMETER | G HOUSING DIAMETER | List Price |
|-------------|--------------|--------------|--------------|----------------------|--|--------------------------|---------------|
| MCHD-4250-D | 4-1/4 | 5-1/4 | 1/2 | .550 ±.020 | 4.250 ^{+0.000} _{-.004} | 5.250 ±.001 | 48.80 |
| MCHD-4508-D | 4-1/2 | 5-1/2 | 1/2 | .550 ±.020 | 4.500 ^{+0.000} _{-.004} | 5.500 ±.001 | 55.11 |
| MCHD-5002-D | 5 | 6 | 1/2 | .550 ±.020 | 5.000 ^{+0.000} _{-.004} | 6.000 ±.001 | 65.69 |
| MCHD-5503-D | 5-1/2 | 6-1/2 | 1/2 | .550 ±.020 | 5.500 ^{+0.000} _{-.004} | 6.500 ±.001 | 41.30 |
| MCHD-6002-D | 6 | 7 | 1/2 | .550 ±.020 | 6.000 ^{+0.000} _{-.004} | 7.000 ±.001 | 33.08 |
| MCHD-6500-D | 6-1/2 | 7-1/2 | 1/2 | .550 ±.020 | 6.500 ^{+0.000} _{-.004} | 7.500 ±.001 | 34.61 |
| MCHD-7002-D | 7 | 8 | 1/2 | .550 ±.020 | 7.000 ^{+0.000} _{-.005} | 8.000 ±.001 | 81.15 |
| MCHD-8002-D | 8 | 9 | 1/2 | .550 ±.020 | 8.000 ^{+0.000} _{-.005} | 9.000 ±.001 | 141.29 |

E-NEWSLETTER

Enter your E-Mail Address to Receive
the Hercules E-Newsletter which Features
Monthly Specials, Company Notifications
and New Product Announcements

Your email:

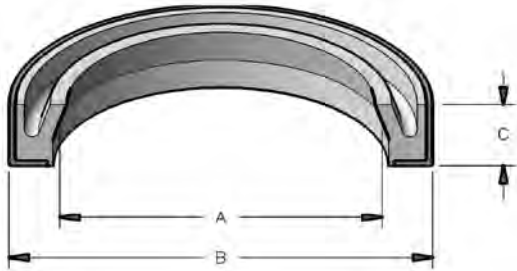
**Sign Up to Receive Our Periodic E-Newsletter
Featuring Web-Only Specials
and New Product Announcements.**

**Simply Provide Your E-Mail Address on the
Home Page of the Hercules Website - www.HerculesUS.com.**

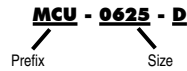
It's Just That Easy! Opt-Out at Any Time with One Click.

STYLE MCU HEAVY DUTY METAL CLAD WIPER RINGS

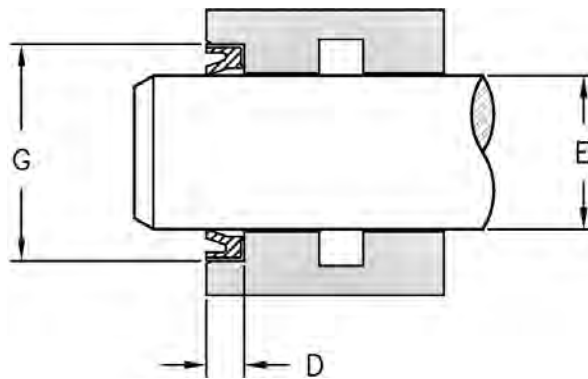
Utilizing a sturdy metal case, these wipers are molded from the same high performance urethane used in our Heavy Duty U-seals. Built for severe service, these wipers are capable of surviving hostile environments.



HERCULES PART NUMBERS



| SEAL INFORMATION | |
|-------------------|-----------------|
| MATERIAL | 92A URETHANE |
| TEMPERATURE RANGE | -65° TO +230° F |
| SPEED | 3 FT/SEC |



WIPER RINGS

| Part Number | A Nom. ID | B Nom. OD | C Nom. Ht | D GROOVE WIDTH | E ROD DIAMETER | G HOUSING DIAMETER | List Price |
|-------------|--------------|--------------|--------------|--|---|--------------------------|---------------|
| MCU-0625-D | 5/8 | 1-1/8 | 5/16 | .313 ^{+0.015} / _{+0.000} | .625 ^{+0.000} / _{-0.003} | 1.125 ±0.001 | \$7.09 |
| MCU-0750-D | 3/4 | 1-1/4 | 5/16 | .313 ^{+0.015} / _{+0.000} | .750 ^{+0.000} / _{-0.003} | 1.250 ±0.001 | 6.52 |
| MCU-0875-D | 7/8 | 1-3/8 | 5/16 | .313 ^{+0.015} / _{+0.000} | .875 ^{+0.000} / _{-0.003} | 1.375 ±0.001 | 7.68 |
| MCU-1000-D | 1 | 1-1/2 | 5/16 | .313 ^{+0.015} / _{+0.000} | 1.000 ^{+0.000} / _{-0.003} | 1.500 ±0.001 | 9.87 |
| MCU-1120-D | 1-1/8 | 1-5/8 | 5/16 | .313 ^{+0.015} / _{+0.000} | 1.125 ^{+0.000} / _{-0.003} | 1.625 ±0.001 | 10.61 |
| MCU-1187-G | 1-3/16 | 1-5/8 | 1/4 | .250 ^{+0.015} / _{+0.000} | 1.187 ^{+0.000} / _{-0.003} | 1.625 ±0.001 | 9.51 |
| MCU-1254-D | 1-1/4 | 1-3/4 | 1/4 | .250 ^{+0.015} / _{+0.000} | 1.250 ^{+0.000} / _{-0.003} | 1.750 ±0.001 | 14.78 |
| MCU-1250-D | 1-1/4 | 1-3/4 | 5/16 | .313 ^{+0.015} / _{+0.000} | 1.250 ^{+0.000} / _{-0.003} | 1.750 ±0.001 | 12.77 |
| MCU-1255 | 1-1/4 | 2.062 | 3/8 | .375 ^{+0.0150} / _{-0.3375} | 1.250 ^{+0.000} / _{-0.003} | 2.063 ±0.001 | 6.72 |
| MCU-1375-D | 1-3/8 | 1-7/8 | 5/16 | .313 ^{+0.015} / _{+0.000} | 1.375 ^{+0.000} / _{-0.003} | 1.875 ±0.001 | 12.92 |
| MCU-1501-D | 1-1/2 | 1-7/8 | 1/4 | .250 ^{+0.015} / _{+0.000} | 1.500 ^{+0.000} / _{-0.003} | 1.875 ±0.001 | 12.95 |
| MCU-1502-D | 1-1/2 | 2 | 1/4 | .250 ^{+0.015} / _{+0.000} | 1.500 ^{+0.000} / _{-0.003} | 2.000 ±0.001 | 13.39 |
| MCU-1500-D | 1-1/2 | 2 | 5/16 | .313 ^{+0.015} / _{+0.000} | 1.500 ^{+0.000} / _{-0.003} | 2.000 ±0.001 | 13.05 |
| MCU-1505-G | 1-1/2 | 2-1/8 | 5/16 | .313 ^{+0.015} / _{+0.000} | 1.500 ^{+0.000} / _{-0.003} | 2.125 ±0.001 | 9.97 |
| MCU-1506-D | 1-1/2 | 2-1/4 | 3/8 | .375 ^{+0.015} / _{+0.000} | 1.500 ^{+0.000} / _{-0.003} | 2.250 ±0.001 | 13.61 |
| MCU-1624-D | 1-5/8 | 2-1/8 | 1/4 | .250 ^{+0.015} / _{+0.000} | 1.625 ^{+0.000} / _{-0.003} | 2.125 ±0.001 | 14.17 |

FORMERLY LISTED SEALS ARE AVAILABLE ONLINE AT WWW.HERCULESUS.COM
OR BY CONTACTING YOUR REGIONAL HERCULES SALES TEAM.



STYLE MCU HEAVY DUTY METAL CLAD WIPER RINGS

WIPER RINGS

| Part Number | A Nom. ID | B Nom. OD | C Nom. Ht | D GROOVE WIDTH | E ROD DIAMETER | G HOUSING DIAMETER | List Price |
|-------------|--------------|--------------|--------------|--|---|--------------------------|---------------|
| MCU-1625-D | 1-5/8 | 2-1/8 | 5/16 | .313 ^{+0.015} / _{+0.000} | 1.625 ^{+0.000} / _{-0.003} | 2.125 ±.001 | 13.80 |
| MCU-1751-D | 1-3/4 | 2-1/4 | 1/4 | .250 ^{+0.015} / _{+0.000} | 1.750 ^{+0.000} / _{-0.003} | 2.250 ±.001 | 14.10 |
| MCU-1750-D | 1-3/4 | 2-1/4 | 5/16 | .313 ^{+0.015} / _{+0.000} | 1.750 ^{+0.000} / _{-0.003} | 2.250 ±.001 | 14.10 |
| MCU-1755-D | 1-3/4 | 2-7/16 | 3/8 | .375 ^{+0.015} / _{+0.000} | 1.750 ^{+0.000} / _{-0.003} | 2.438 ±.001 | 14.35 |
| MCU-1756-G | 1-3/4 | 2-1/2 | 3/8 | .375 ^{+0.015} / _{+0.000} | 1.750 ^{+0.000} / _{-0.003} | 2.500 ±.001 | 10.67 |
| MCU-1875-D | 1-7/8 | 2-3/8 | 5/16 | .313 ^{+0.015} / _{+0.000} | 1.875 ^{+0.000} / _{-0.003} | 2.375 ±.001 | 14.44 |
| MCU-1876-D | 1-7/8 | 2-9/16 | 3/8 | .375 ^{+0.015} / _{+0.000} | 1.875 ^{+0.000} / _{-0.003} | 2.563 ±.001 | 15.38 |
| MCU-2001-G | 2 | 2-3/8 | 1/4 | .250 ^{+0.015} / _{+0.000} | 2.000 ^{+0.000} / _{-0.003} | 2.375 ±.001 | 12.71 |
| MCU-2002-D | 2 | 2-1/2 | 1/4 | .250 ^{+0.015} / _{+0.000} | 2.000 ^{+0.000} / _{-0.003} | 2.500 ±.001 | 16.25 |
| MCU-2000-D | 2 | 2-1/2 | 5/16 | .313 ^{+0.015} / _{+0.000} | 2.000 ^{+0.000} / _{-0.003} | 2.500 ±.001 | 14.63 |
| MCU-2004-D | 2 | 2-5/8 | 1/4 | .250 ^{+0.015} / _{+0.000} | 2.000 ^{+0.000} / _{-0.003} | 2.625 ±.001 | 17.27 |
| MCU-2006-D | 2 | 2-11/16 | 3/8 | .375 ^{+0.015} / _{+0.000} | 2.000 ^{+0.000} / _{-0.003} | 2.688 ±.001 | 18.47 |
| MCU-2003-G | 2 | 2-3/4 | 3/8 | .375 ^{+0.015} / _{+0.000} | 2.000 ^{+0.000} / _{-0.003} | 2.750 ±.001 | 14.56 |
| MCU-2126-G | 2-1/8 | 2-1/2 | 3/16 | .188 ^{+0.015} / _{+0.000} | 2.125 ^{+0.000} / _{-0.003} | 2.500 ±.001 | 18.97 |
| MCU-2124-D | 2-1/8 | 2-5/8 | 5/16 | .313 ^{+0.015} / _{+0.000} | 2.125 ^{+0.000} / _{-0.003} | 2.625 ±.001 | 15.79 |
| MCU-2125-D | 2-1/8 | 2-7/8 | 3/8 | .375 ^{+0.015} / _{+0.000} | 2.125 ^{+0.000} / _{-0.003} | 2.875 ±.001 | 10.69 |
| MCU-2188-D | 2-3/16 | 2-11/16 | 3/8 | .375 ^{+0.015} / _{+0.000} | 2.187 ^{+0.000} / _{-0.003} | 2.688 ±.001 | 19.19 |
| MCU-2251-D | 2-1/4 | 2-3/4 | 1/4 | .250 ^{+0.015} / _{+0.000} | 2.250 ^{+0.000} / _{-0.003} | 2.750 ±.001 | 15.66 |
| MCU-2250-D | 2-1/4 | 2-3/4 | 5/16 | .313 ^{+0.015} / _{+0.000} | 2.250 ^{+0.000} / _{-0.003} | 2.750 ±.001 | 15.66 |
| MCU-2252-G | 2-1/4 | 3 | 1/4 | .250 ^{+0.015} / _{+0.000} | 2.250 ^{+0.000} / _{-0.003} | 3.000 ±.001 | 16.10 |
| MCU-2253-D | 2-1/4 | 3 | 3/8 | .375 ^{+0.015} / _{+0.000} | 2.250 ^{+0.000} / _{-0.003} | 3.000 ±.001 | 16.37 |
| MCU-2375-D | 2-3/8 | 2-7/8 | 5/16 | .313 ^{+0.015} / _{+0.000} | 2.375 ^{+0.000} / _{-0.003} | 2.875 ±.001 | 13.42 |
| MCU-2376-D | 2-3/8 | 3-1/8 | 3/8 | .375 ^{+0.015} / _{+0.000} | 2.375 ^{+0.000} / _{-0.003} | 3.125 ±.001 | 13.53 |
| MCU-2503-D | 2-1/2 | 3 | 3/16 | .188 ^{+0.015} / _{+0.000} | 2.500 ^{+0.000} / _{-0.003} | 3.000 ±.001 | 15.89 |
| MCU-2500-D | 2-1/2 | 3 | 5/16 | .313 ^{+0.015} / _{+0.000} | 2.500 ^{+0.000} / _{-0.003} | 3.000 ±.001 | 17.72 |
| MCU-2504-G | 2-1/2 | 3-3/16 | 3/8 | .375 ^{+0.015} / _{+0.000} | 2.500 ^{+0.000} / _{-0.003} | 3.188 ±.001 | 29.84 |
| MCU-2501-D | 2-1/2 | 3-1/4 | 1/4 | .250 ^{+0.015} / _{+0.000} | 2.500 ^{+0.000} / _{-0.003} | 3.250 ±.001 | 14.09 |
| MCU-2502-D | 2-1/2 | 3-1/4 | 3/8 | .375 ^{+0.015} / _{+0.000} | 2.500 ^{+0.000} / _{-0.003} | 3.250 ±.001 | 18.02 |
| MCU-2625-D | 2-5/8 | 3-1/8 | 1/4 | .250 ^{+0.015} / _{+0.000} | 2.625 ^{+0.000} / _{-0.003} | 3.125 ±.001 | 18.02 |
| MCU-2624-D | 2-5/8 | 3-1/8 | 5/16 | .313 ^{+0.015} / _{+0.000} | 2.625 ^{+0.000} / _{-0.003} | 3.125 ±.001 | 20.57 |
| MCU-2626-G | 2-5/8 | 3-3/8 | 3/8 | .375 ^{+0.015} / _{+0.000} | 2.625 ^{+0.000} / _{-0.003} | 3.375 ±.001 | 23.40 |
| MCU-2750-D | 2-3/4 | 3-1/4 | 5/16 | .313 ^{+0.015} / _{+0.000} | 2.750 ^{+0.000} / _{-0.003} | 3.250 ±.001 | 20.07 |
| MCU-2754-D | 2-3/4 | 3-1/2 | 1/4 | .250 ^{+0.015} / _{+0.000} | 2.750 ^{+0.000} / _{-0.003} | 3.500 ±.001 | 17.05 |

NORTH AMERICA
PHONE 1-800-777-5617
FAX 1-800-759-6391

SALES OFFICE HOURS
8 A.M. TO 7:30 P.M. EASTERN TIME
www.HerculesUS.com

WORLDWIDE
PHONE 1-727-796-1300
FAX 1-727-797-8849

STYLE MCU HEAVY DUTY METAL CLAD WIPER RINGS

| Part Number | A Nom. ID | B Nom. OD | C Nom. Ht | D GROOVE WIDTH | E ROD DIAMETER | G HOUSING DIAMETER | List Price |
|-------------|--------------|--------------|--------------|--|---|--------------------------|---------------|
| MCU-2756-G | 2-3/4 | 3-1/2 | 3/8 | .375 ^{+0.015} / _{+0.000} | 2.750 ^{+0.000} / _{-0.003} | 3.500 ±.001 | 18.20 |
| MCU-2758-D | 2-3/4 | 3-1/2 | 1/2 | .500 ^{+0.015} / _{+0.000} | 2.750 ^{+0.000} / _{-0.003} | 3.500 ±.001 | 26.32 |
| MCU-2755-D | 2-3/4 | 3-3/4 | 1/2 | .500 ^{+0.015} / _{+0.000} | 2.750 ^{+0.000} / _{-0.003} | 3.750 ±.001 | 21.86 |
| MCU-3000-D | 3 | 3-1/2 | 5/16 | .313 ^{+0.015} / _{+0.000} | 3.000 ^{+0.000} / _{-0.004} | 3.500 ±.001 | 20.63 |
| MCU-3002-D | 3 | 3-3/4 | 1/4 | .250 ^{+0.015} / _{+0.000} | 3.000 ^{+0.000} / _{-0.004} | 3.750 ±.001 | 20.63 |
| MCU-3008-D | 3 | 4 | 1/2 | .500 ^{+0.015} / _{+0.000} | 3.000 ^{+0.000} / _{-0.004} | 4.000 ±.001 | 23.95 |
| MCU-3125-D | 3-1/8 | 3-3/4 | 3/8 | .375 ^{+0.015} / _{+0.000} | 3.125 ^{+0.000} / _{-0.004} | 3.750 ±.001 | 18.38 |
| MCU-3254-D | 3-1/4 | 3-3/4 | 5/16 | .313 ^{+0.015} / _{+0.000} | 3.250 ^{+0.000} / _{-0.004} | 3.750 ±.001 | 19.97 |
| MCU-3256-D | 3-1/4 | 3-7/8 | 5/16 | .313 ^{+0.015} / _{+0.000} | 3.250 ^{+0.000} / _{-0.004} | 3.875 ±.001 | 19.97 |
| MCU-3250-D | 3-1/4 | 4-1/4 | 1/2 | .500 ^{+0.015} / _{+0.000} | 3.250 ^{+0.000} / _{-0.004} | 4.250 ±.001 | 24.46 |
| MCU-3375-D | 3-3/8 | 4 | 5/16 | .313 ^{+0.015} / _{+0.000} | 3.375 ^{+0.000} / _{-0.004} | 4.000 ±.001 | 15.95 |
| MCU-3500-D | 3-1/2 | 4 | 5/16 | .313 ^{+0.015} / _{+0.000} | 3.500 ^{+0.000} / _{-0.004} | 4.000 ±.001 | 20.07 |
| MCU-3506-D | 3-1/2 | 4-1/8 | 5/16 | .313 ^{+0.015} / _{+0.000} | 3.500 ^{+0.000} / _{-0.004} | 4.125 ±.001 | 27.53 |
| MCU-3504-D | 3-1/2 | 4-1/4 | 1/4 | .250 ^{+0.015} / _{+0.000} | 3.500 ^{+0.000} / _{-0.004} | 4.250 ±.001 | 28.04 |
| MCU-3508-D | 3-1/2 | 4-1/2 | 1/2 | .500 ^{+0.015} / _{+0.000} | 3.500 ^{+0.000} / _{-0.004} | 4.500 ±.001 | 28.51 |
| MCU-3750-D | 3-3/4 | 4-1/4 | 5/16 | .313 ^{+0.015} / _{+0.000} | 3.750 ^{+0.000} / _{-0.004} | 4.250 ±.001 | 32.84 |
| MCU-3754-D | 3-3/4 | 4-3/8 | 5/16 | .313 ^{+0.015} / _{+0.000} | 3.750 ^{+0.000} / _{-0.004} | 4.375 ±.001 | 33.13 |
| MCU-3755-D | 3-3/4 | 4-1/2 | 5/16 | .313 ^{+0.015} / _{+0.000} | 3.750 ^{+0.000} / _{-0.004} | 4.500 ±.001 | 26.00 |
| MCU-3751-D | 3-3/4 | 4-3/4 | 1/2 | .500 ^{+0.015} / _{+0.000} | 3.750 ^{+0.000} / _{-0.004} | 4.750 ±.001 | 24.42 |
| MCU-4005-D | 4 | 4-5/8 | 5/16 | .313 ^{+0.015} / _{+0.000} | 4.000 ^{+0.000} / _{-0.004} | 4.625 ±.001 | 38.77 |
| MCU-4002-D | 4 | 4-3/4 | 5/16 | .313 ^{+0.015} / _{+0.000} | 4.000 ^{+0.000} / _{-0.004} | 4.750 ±.001 | 39.85 |
| MCU-4000-D | 4 | 5 | 1/2 | .500 ^{+0.015} / _{+0.000} | 4.000 ^{+0.000} / _{-0.004} | 5.000 ±.001 | 31.33 |
| MCU-4252-D | 4-1/4 | 4-3/4 | 5/16 | .313 ^{+0.015} / _{+0.000} | 4.250 ^{+0.000} / _{-0.004} | 4.750 ±.001 | 31.99 |
| MCU-4250-D | 4-1/4 | 5-1/4 | 1/2 | .500 ^{+0.015} / _{+0.000} | 4.250 ^{+0.000} / _{-0.004} | 5.250 ±.001 | 40.18 |
| MCU-4375-D | 4-3/8 | 5 | 5/16 | .313 ^{+0.015} / _{+0.000} | 4.375 ^{+0.000} / _{-0.004} | 5.000 ±.001 | 47.59 |
| MCU-4505-D | 4-1/2 | 5-1/8 | 5/16 | .313 ^{+0.015} / _{+0.000} | 4.500 ^{+0.000} / _{-0.004} | 5.125 ±.001 | 53.73 |
| MCU-4506-G | 4-1/2 | 5-1/4 | 5/16 | .313 ^{+0.015} / _{+0.000} | 4.500 ^{+0.000} / _{-0.004} | 5.250 ±.001 | 32.18 |
| MCU-4507-D | 4-1/2 | 5-1/2 | 5/16 | .313 ^{+0.015} / _{+0.000} | 4.500 ^{+0.000} / _{-0.004} | 5.500 ±.001 | 25.76 |
| MCU-4508-D | 4-1/2 | 5-1/2 | 1/2 | .500 ^{+0.015} / _{+0.000} | 4.500 ^{+0.000} / _{-0.004} | 5.500 ±.001 | 53.73 |
| MCU-4751-D | 4-3/4 | 5-3/8 | 5/16 | .313 ^{+0.015} / _{+0.000} | 4.750 ^{+0.000} / _{-0.004} | 5.375 ±.001 | 42.78 |
| MCU-4750-D | 4-3/4 | 5-3/4 | 1/2 | .500 ^{+0.015} / _{+0.000} | 4.750 ^{+0.000} / _{-0.004} | 5.750 ±.001 | 43.82 |
| MCU-5001-G | 5 | 5-5/8 | 5/16 | .313 ^{+0.015} / _{+0.000} | 5.000 ^{+0.000} / _{-0.004} | 5.625 ±.001 | 40.93 |
| MCU-5003 | 5 | 5-5/8 | 3/8 | .375 ^{+0.015} / _{+0.000} | 5.000 ^{+0.000} / _{-0.004} | 5.625 ±.001 | 19.44 |

WIPER RINGS

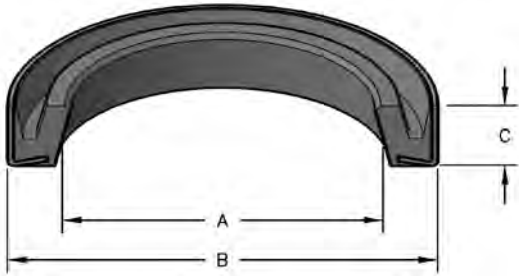


STYLE MCU HEAVY DUTY METAL CLAD WIPER RINGS

WIPER RINGS

| Part Number | A Nom. ID | B Nom. OD | C Nom. Ht | D GROOVE WIDTH | E ROD DIAMETER | G HOUSING DIAMETER | List Price |
|-------------|--------------|--------------|--------------|--|--|--------------------------|---------------|
| MCU-5000-D | 5 | 5-3/4 | 5/16 | .313 ^{+0.015} / _{+0.000} | 5.000 ^{+0.000} / _{-0.004} | 5.750 ±.001 | 42.78 |
| MCU-5002-D | 5 | 6 | 1/2 | .500 ^{+0.015} / _{+0.000} | 5.000 ^{+0.000} / _{-0.004} | 6.000 ±.001 | 58.17 |
| MCU-5250-D | 5-1/4 | 6 | 5/16 | .313 ^{+0.015} / _{+0.000} | 5.250 ^{+0.000} / _{-0.004} | 6.000 ±.001 | 61.83 |
| MCU-5500-D | 5-1/2 | 6-1/8 | 3/8 | .375 ^{+0.015} / _{+0.000} | 5.500 ^{+0.000} / _{-0.004} | 6.125 ±.001 | 46.73 |
| MCU-5502-G | 5-1/2 | 6-1/4 | 5/16 | .313 ^{+0.015} / _{+0.000} | 5.500 ^{+0.000} / _{-0.004} | 6.250 ±.001 | 48.49 |
| MCU-5750-D | 5-3/4 | 6-3/8 | 3/8 | .375 ^{+0.015} / _{+0.000} | 5.750 ^{+0.000} / _{-0.004} | 6.375 ±.001 | 65.29 |
| MCU-5752 | 5-3/4 | 6-1/2 | .406 | .406 ^{+0.015} / _{+0.000} | 5.750 ^{+0.000} / _{-0.004} | 6.500 ±.001 | 36.11 |
| MCU-5751-D | 5-3/4 | 6-3/4 | 1/2 | .500 ^{+0.015} / _{+0.000} | 5.750 ^{+0.000} / _{-0.004} | 6.750 ±.001 | 38.13 |
| MCU-6001-D | 6 | 6-5/8 | 3/8 | .375 ^{+0.015} / _{+0.000} | 6.000 ^{+0.000} / _{-0.004} | 6.625 ±.001 | 62.19 |
| MCU-6000-D | 6 | 6-3/4 | 3/8 | .375 ^{+0.015} / _{+0.000} | 6.000 ^{+0.000} / _{-0.004} | 6.750 ±.001 | 61.84 |
| MCU-6002-D | 6 | 7 | 1/2 | .500 ^{+0.015} / _{+0.000} | 6.000 ^{+0.000} / _{-0.004} | 7.000 ±.001 | 79.12 |
| MCU-6250-D | 6-1/4 | 6-3/4 | 5/16 | .313 ^{+0.015} / _{+0.000} | 6.250 ^{+0.000} / _{-0.004} | 6.750 ±.001 | 92.98 |
| MCU-6503-D | 6-1/2 | 7-1/4 | 5/16 | .313 ^{+0.015} / _{+0.000} | 6.500 ^{+0.000} / _{-0.004} | 7.250 ±.001 | 77.73 |
| MCU-6500-D | 6-1/2 | 7-1/2 | 5/8 | .625 ^{+0.015} / _{+0.000} | 6.500 ^{+0.000} / _{-0.004} | 7.500 ±.001 | 61.13 |
| MCU-6751-D | 6-3/4 | 7-1/4 | 5/16 | .313 ^{+0.015} / _{+0.000} | 6.750 ^{+0.000} / _{-0.004} | 7.250 ±.001 | 77.73 |
| MCU-6750-G | 6-3/4 | 7-3/8 | 3/8 | .375 ^{+0.015} / _{+0.000} | 6.750 ^{+0.000} / _{-0.004} | 7.375 ±.001 | 79.89 |
| MCU-6753-D | 6-3/4 | 7-3/4 | 1/2 | .500 ^{+0.015} / _{+0.000} | 6.750 ^{+0.000} / _{-0.004} | 7.750 ±.001 | 59.44 |
| MCU-7000-G | 7 | 7-3/4 | 5/16 | .313 ^{+0.015} / _{+0.000} | 7.000 ^{+0.000} / _{-0.005} | 7.750 ±.001 | 81.22 |
| MCU-7002-D | 7 | 8 | 1/2 | .500 ^{+0.015} / _{+0.000} | 7.000 ^{+0.000} / _{-0.005} | 8.000 ±.001 | 138.61 |
| MCU-8000-D | 8 | 8-3/4 | 3/8 | .375 ^{+0.015} / _{+0.000} | 8.000 ^{+0.000} / _{-0.005} | 8.750 ±.001 | 102.24 |
| MCU-8120-D | 8-1/8 | 8-5/8 | 5/16 | .313 ^{+0.015} / _{+0.000} | 8.125 ^{+0.000} / _{-0.005} | 8.625 ±.001 | 176.28 |
| MCU-11000-D | 11 | 12 | .55 | .550 ^{+0.015} / _{+0.000} | 11.000 ^{+0.000} / _{-0.006} | 12.000 ±.001 | 112.26 |
| MCU-12500-D | 12-1/2 | 13-1/2 | .55 | .550 ^{+0.015} / _{+0.000} | 12.500 ^{+0.000} / _{-0.006} | 13.500 ±.001 | 117.24 |
| MCU-13500-D | 13-1/2 | 14-1/2 | .55 | .550 ^{+0.015} / _{+0.000} | 13.500 ^{+0.000} / _{-0.006} | 14.500 ±.001 | 120.35 |

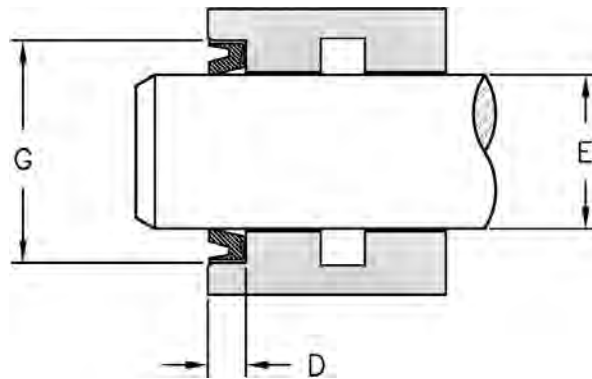
STYLE MCN METAL CLAD WIPERS - RUBBER LIP



HERCULES PART NUMBERS



| SEAL INFORMATION | |
|-------------------|-----------------|
| MATERIAL | RUBBER |
| TEMPERATURE RANGE | -40° TO +240° F |
| SPEED | 3 FT/SEC |



WIPER RINGS

| Part Number | A Nom. ID | B Nom. OD | C Nom. Ht | D GROOVE WIDTH | E ROD DIAMETER | G HOUSING DIAMETER | List Price |
|-------------|--------------|--------------|--------------|----------------------|----------------------|--------------------------|---------------|
| MCN-0500 | 1/2 | 11/16 | 3/32 | .094 ±.015 | .500 ±.003 | .688 ±.001 | \$2.54 |
| MCN-0501 | 1/2 | 3/4 | 1/8 | .125 ±.015 | .500 ±.003 | .750 ±.001 | 3.75 |
| MCN-0626 | 5/8 | 7/8 | 1/8 | .125 ±.015 | .625 ±.003 | .875 ±.001 | 2.89 |
| MCN-0625 | 5/8 | 15/16 | 3/16 | .188 ±.015 | .625 ±.003 | .938 ±.001 | 2.89 |
| MCN-0751 | 3/4 | 1 | 1/8 | .125 ±.015 | .750 ±.003 | 1.000 ±.001 | 3.16 |
| MCN-0750 | 3/4 | 1-1/4 | 1/4 | .250 ±.015 | .750 ±.003 | 1.250 ±.001 | 2.92 |
| MCN-0873 | 7/8 | 1-1/8 | 1/8 | .125 ±.015 | .875 ±.003 | 1.125 ±.001 | 3.05 |
| MCN-0875 | 7/8 | 1-1/4 | 3/16 | .188 ±.015 | .875 ±.003 | 1.250 ±.001 | 4.94 |
| MCN-1001 | 1 | 1-1/4 | 1/8 | .125 ±.015 | 1.000 ±.003 | 1.250 ±.001 | 3.05 |
| MCN-1006 | 1 | 1-5/16 | 1/8 | .125 ±.015 | 1.000 ±.003 | 1.313 ±.001 | 5.97 |
| MCN-1003 | 1 | 1-3/8 | 3/16 | .188 ±.015 | 1.000 ±.003 | 1.375 ±.001 | 3.52 |
| MCN-1004 | 1 | 1-7/16 | 1/4 | .250 ±.015 | 1.000 ±.003 | 1.438 ±.001 | 4.09 |
| MCN-1005 | 1 | 1-1/2 | 3/16 | .188 ±.015 | 1.000 ±.003 | 1.500 ±.001 | 2.94 |
| MCN-1060 | 1-1/16 | 1-1/2 | 3/16 | .188 ±.015 | 1.062 ±.003 | 1.500 ±.001 | 3.98 |
| MCN-1126 | 1-1/8 | 1-3/8 | 1/8 | .125 ±.015 | 1.125 ±.003 | 1.375 ±.001 | 2.94 |
| MCN-1125 | 1-1/8 | 1-1/2 | 3/16 | .188 ±.015 | 1.125 ±.003 | 1.500 ±.001 | 4.54 |
| MCN-1127 | 1-1/8 | 1-9/16 | 1/4 | .250 ±.015 | 1.125 ±.003 | 1.563 ±.001 | 3.17 |
| MCN-1129 | 1-1/8 | 1-5/8 | 1/4 | .250 ±.015 | 1.125 ±.003 | 1.625 ±.001 | 2.94 |
| MCN-1251 | 1-1/4 | 1-1/2 | 1/8 | .125 ±.015 | 1.250 ±.003 | 1.500 ±.001 | 2.94 |
| MCN-1256 | 1-1/4 | 1-5/8 | 1/4 | .250 ±.015 | 1.250 ±.003 | 1.625 ±.001 | 3.27 |
| MCN-1253 | 1-1/4 | 1-11/16 | 3/16 | .188 ±.015 | 1.250 ±.003 | 1.688 ±.001 | 3.17 |
| MCN-1254 | 1-1/4 | 1-3/4 | 1/4 | .250 ±.015 | 1.250 ±.003 | 1.750 ±.001 | 4.07 |
| MCN-1255 | 1-1/4 | 1-7/8 | 1/4 | .250 ±.015 | 1.250 ±.003 | 1.875 ±.001 | 4.63 |
| MCN-1377 | 1-3/8 | 1-5/8 | 1/8 | .125 ±.015 | 1.375 ±.003 | 1.625 ±.001 | 5.00 |
| MCN-1375 | 1-3/8 | 1-3/4 | 3/16 | .188 ±.015 | 1.375 ±.003 | 1.750 ±.001 | 3.17 |
| MCN-1376 | 1-3/8 | 1-7/8 | 1/4 | .250 ±.015 | 1.375 ±.003 | 1.875 ±.001 | 4.59 |
| MCN-1503 | 1-1/2 | 1-7/8 | 3/16 | .188 ±.015 | 1.500 ±.003 | 1.875 ±.001 | 3.17 |
| MCN-1502 | 1-1/2 | 1-7/8 | 1/4 | .250 ±.015 | 1.500 ±.003 | 1.875 ±.001 | 3.47 |
| MCN-1504 | 1-1/2 | 2 | 1/4 | .250 ±.015 | 1.500 ±.003 | 2.000 ±.001 | 3.56 |

FORMERLY LISTED SEALS ARE AVAILABLE ONLINE AT WWW.HERCULESUS.COM
OR BY CONTACTING YOUR REGIONAL HERCULES SALES TEAM.



STYLE MCN METAL CLAD WIPERS - RUBBER LIP

WIPER RINGS

| Part Number | A Nom. ID | B Nom. OD | C Nom. Ht | D GROOVE WIDTH | E ROD DIAMETER | G HOUSING DIAMETER | List Price |
|-------------|--------------|--------------|--------------|----------------------|----------------------|--------------------------|---------------|
| MCN-1625 | 1-5/8 | 2-1/8 | 1/4 | .250 ±.015 | 1.625 ±.003 | 2.125 ±.001 | 4.85 |
| MCN-1626 | 1-5/8 | 2-5/8 | 1/4 | .250 ±.015 | 1.625 ±.003 | 2.625 ±.001 | 13.09 |
| MCN-1753 | 1-3/4 | 2-1/8 | 3/16 | .188 ±.015 | 1.750 ±.003 | 2.125 ±.001 | 7.62 |
| MCN-1754 | 1-3/4 | 2-1/4 | 1/4 | .250 ±.015 | 1.750 ±.003 | 2.250 ±.001 | 5.16 |
| MCN-1755 | 1-3/4 | 2-3/8 | 1/4 | .250 ±.015 | 1.750 ±.003 | 2.375 ±.001 | 5.27 |
| MCN-1756 | 1-3/4 | 2-5/8 | 1/4 | .250 ±.015 | 1.750 ±.003 | 2.625 ±.001 | 5.41 |
| MCN-1877 | 1-7/8 | 2-1/4 | 3/16 | .188 ±.015 | 1.875 ±.003 | 2.250 ±.001 | 8.64 |
| MCN-1879 | 1-7/8 | 2-1/2 | 1/4 | .250 ±.015 | 1.875 ±.003 | 2.500 ±.001 | 5.59 |
| MCN-2001 | 2 | 2-3/8 | 3/16 | .188 ±.015 | 2.000 ±.003 | 2.375 ±.001 | 5.59 |
| MCN-2003 | 2 | 2-1/2 | 1/4 | .250 ±.015 | 2.000 ±.003 | 2.500 ±.001 | 5.49 |
| MCN-2002 | 2 | 2-5/8 | 1/4 | .250 ±.015 | 2.000 ±.003 | 2.625 ±.001 | 5.76 |
| MCN-2006 | 2 | 2-3/4 | 1/4 | .250 ±.015 | 2.000 ±.003 | 2.750 ±.001 | 7.41 |
| MCN-2007 | 2 | 2-7/8 | 15/32 | .469 ±.015 | 2.000 ±.003 | 2.875 ±.001 | 10.67 |
| MCN-2125 | 2-1/8 | 2-1/2 | 3/16 | .188 ±.015 | 2.125 ±.003 | 2.500 ±.001 | 6.58 |
| MCN-2251 | 2-1/4 | 2-5/8 | 1/4 | .250 ±.015 | 2.250 ±.003 | 2.625 ±.001 | 6.58 |
| MCN-2253 | 2-1/4 | 2-3/4 | 1/4 | .250 ±.015 | 2.250 ±.003 | 2.750 ±.001 | 6.58 |
| MCN-2255 | 2-1/4 | 2-7/8 | 1/4 | .250 ±.015 | 2.250 ±.003 | 2.875 ±.001 | 6.58 |
| MCN-2371 | 2-3/8 | 3 | 1/4 | .250 ±.015 | 2.375 ±.003 | 3.000 ±.001 | 6.82 |
| MCN-2501 | 2-1/2 | 3 | 1/4 | .250 ±.015 | 2.500 ±.003 | 3.000 ±.001 | 6.74 |
| MCN-2504 | 2-1/2 | 3-1/8 | 1/4 | .250 ±.015 | 2.500 ±.003 | 3.125 ±.001 | 8.86 |
| MCN-2660 | 2.66 | 3-1/4 | 3/8 | .375 ±.015 | 2.660 ±.003 | 3.250 ±.001 | 6.14 |
| MCN-2751 | 2-3/4 | 3-1/8 | 3/16 | .188 ±.015 | 2.750 ±.003 | 3.125 ±.001 | 6.56 |
| MCN-2750 | 2-3/4 | 3-1/4 | 1/4 | .250 ±.015 | 2.750 ±.003 | 3.250 ±.001 | 7.73 |
| MCN-2756 | 2-3/4 | 3-3/4 | 3/8 | .375 ±.015 | 2.750 ±.003 | 3.750 ±.001 | 9.71 |
| MCN-3001 | 3 | 3-1/2 | 1/4 | .250 ±.015 | 3.000 ±.003 | 3.500 ±.001 | 7.34 |
| MCN-3003 | 3 | 3-3/4 | 1/4 | .250 ±.015 | 3.000 ±.003 | 3.750 ±.001 | 8.12 |
| MCN-3504 | 3-1/2 | 4 | 1/4 | .250 ±.015 | 3.500 ±.003 | 4.000 ±.001 | 10.38 |

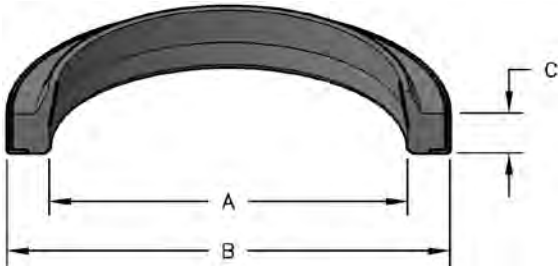
Seal color may vary. Special order sizes are available. Sizes not shown and out of stock items can also be ordered for next day delivery through Seals On Demand, our custom seal program. Please call your regional sales team for assistance.

NORTH AMERICA
PHONE 1-800-777-5617
FAX 1-800-759-6391

SALES OFFICE HOURS
8 A.M. TO 7:30 P.M. EASTERN TIME
www.HerculesUS.com

WORLDWIDE
PHONE 1-727-796-1300
FAX 1-727-797-8849

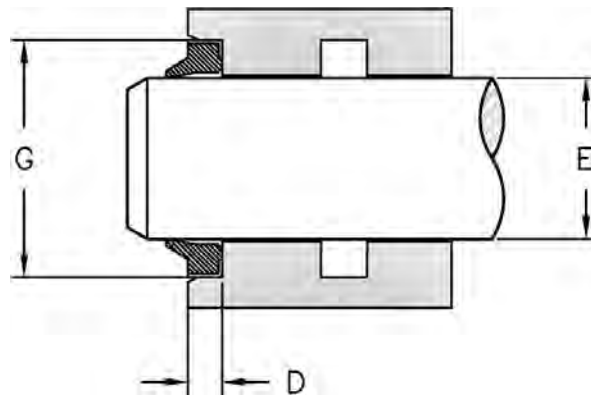
STYLE CWN METAL CLAD WIPERS



HERCULES PART NUMBERS

CWN - 075
Prefix Size

| SEAL INFORMATION | |
|-------------------|-----------------|
| MATERIAL | BUNA-N |
| TEMPERATURE RANGE | -22° TO +212° F |
| SPEED | 3 FT/SEC |



WIPER RINGS

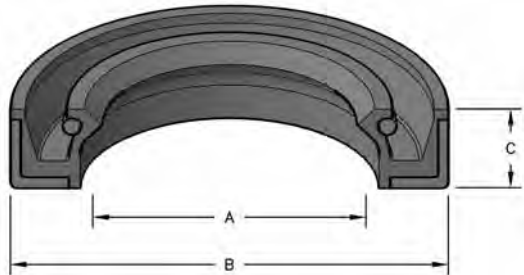
| Part Number | A Nom. ID | B Nom. OD | C Nom. Ht | D GROOVE WIDTH | E ROD DIAMETER | G HOUSING DIAMETER | List Price |
|-------------|-----------|-----------|-----------|--|----------------|--------------------|------------|
| CWN-075 | 3/4 | 1-1/8 | 3/16 | .187 ^{+0.015} / _{+0.000} | .750 | 1.125 ±.001 | \$2.37 |
| CWN-100 | 1 | 1-3/8 | 3/16 | .187 ^{+0.015} / _{+0.000} | 1.000 | 1.375 ±.001 | 2.71 |
| CWN-112 | 1-1/8 | 1-1/2 | 3/16 | .187 ^{+0.015} / _{+0.000} | 1.125 | 1.500 ±.001 | 2.59 |
| CWN-125 | 1-1/4 | 1-5/8 | 3/16 | .187 ^{+0.015} / _{+0.000} | 1.250 | 1.625 ±.001 | 2.69 |
| CWN-150 | 1-1/2 | 1-7/8 | 3/16 | .187 ^{+0.015} / _{+0.000} | 1.500 | 1.875 ±.001 | 2.79 |
| CWN-175 | 1-3/4 | 2-1/8 | 3/16 | .187 ^{+0.015} / _{+0.000} | 1.750 | 2.125 ±.001 | 3.33 |
| CWN-200 | 2 | 2-3/8 | 3/16 | .187 ^{+0.015} / _{+0.000} | 2.000 | 2.375 ±.001 | 4.54 |
| CWN-225 | 2-1/4 | 2-5/8 | 3/16 | .187 ^{+0.015} / _{+0.000} | 2.250 | 2.625 ±.001 | 4.67 |
| CWN-250 | 2-1/2 | 2-7/8 | 3/16 | .187 ^{+0.015} / _{+0.000} | 2.500 | 2.875 ±.001 | 4.75 |
| CWN-275 | 2-3/4 | 3-1/8 | 3/16 | .187 ^{+0.015} / _{+0.000} | 2.750 | 3.125 ±.001 | 5.80 |
| CWN-300 | 3 | 3-3/8 | 3/16 | .187 ^{+0.015} / _{+0.000} | 3.000 | 3.375 ±.001 | 5.38 |

Seal color may vary. Special order sizes are available. Sizes not shown and out of stock items can also be ordered for next day delivery through Seals On Demand, our custom seal program. Please call your regional sales team for assistance.

FORMERLY LISTED SEALS ARE AVAILABLE ONLINE AT WWW.HERCULESUS.COM
OR BY CONTACTING YOUR REGIONAL HERCULES SALES TEAM.

OIL SEALS

Hercules® Sealing Products offers several sizes of standard sized metal clad oil seals. These seals are for rotating shafts and are specifically designed to prevent oil or grease leakage at a maximum pressure of 10 PSI. Additional styles and sizes are available upon request.



HERCULES PART NUMBERS

OS - 0.31 X 0.75 X 0.25 VTF

Prefix Inside Diameter Outside Diameter Height Style

SEAL INFORMATION

| | |
|-------------------|-----------------|
| MATERIAL | RUBBER |
| TEMPERATURE RANGE | -40° TO +240° F |
| PRESSURE RANGE | 10 PSI MAXIMUM |
| SPEED | 3 FT/SEC |



| Part Number | A Nom. ID | B Nom. OD | C Nom. Ht | E SHAFT DIAMETER | G HOUSING DIAMETER | MATERIAL | CAN MATERIAL | SPRING MATERIAL | List Price |
|----------------------|--------------|--------------|--------------|------------------------|--------------------------|----------|--------------|-----------------|------------|
| OS-0.31X0.75X0.25VTF | 5/16 | 3/4 | 1/4 | .312 ±.003 | .750 ±.001 | FKM | CARBON STEEL | STAINLESS STEEL | \$ 12.41 |
| OS-0.37X0.68X0.15VM | 3/8 | 11/16 | 5/32 | .375 ±.003 | .687 ±.001 | NBR | CARBON STEEL | NOSPRING | 5.95 |
| OS-0.37X0.75X0.25SB | 3/8 | 3/4 | 1/4 | .375 ±.003 | .750 ±.001 | NBR | CARBON STEEL | CARBON STEEL | 6.52 |
| OS-0.37X1.00X0.25SM | 3/8 | 1 | 1/4 | .375 ±.003 | .999 ±.001 | NBR | CARBON STEEL | CARBON STEEL | 6.52 |
| OS-0.43X0.62X0.12VC | 7/16 | 5/8 | 1/8 | .437 ±.003 | .624 ±.001 | NBR | CARBON STEEL | NOSPRING | 5.95 |
| OS-0.43X0.83X0.18VM | 7/16 | .836 | 3/16 | .438 ±.003 | .836 ±.001 | NBR | CARBON STEEL | NOSPRING | 5.56 |
| OS-0.43X0.87X0.25SM | 7/16 | 7/8 | 1/4 | .438 ±.003 | .875 ±.001 | NBR | CARBON STEEL | CARBON STEEL | 7.80 |
| OS-0.43X0.87X0.25TB | 7/16 | 7/8 | 1/4 | .437 ±.003 | .875 ±.001 | NBR | CARBON STEEL | CARBON STEEL | 11.74 |
| OS-0.43X1.00X0.25TC | 7/16 | 1 | 1/4 | .434 ±.003 | .999 ±.001 | NBR | CARBON STEEL | CARBON STEEL | 6.14 |
| OS-0.43X1.00X0.25VM | 7/16 | 1 | 1/4 | .438 ±.003 | .999 ±.001 | NBR | CARBON STEEL | NOSPRING | 5.89 |
| OS-0.43X1.00X0.37SB | 7/16 | 1 | 3/8 | .438 ±.003 | .999 ±.001 | NBR | CARBON STEEL | CARBON STEEL | 7.80 |
| OS-0.50X0.68X0.09VC | 1/2 | 11/16 | 3/32 | .500 ±.003 | .687 ±.001 | NBR | CARBON STEEL | NOSPRING | 4.87 |
| OS-0.50X0.75X0.12VM | 1/2 | 3/4 | 1/8 | .500 ±.003 | .750 ±.001 | NBR | CARBON STEEL | NOSPRING | 6.14 |
| OS-0.50X0.75X0.16TB | 1/2 | 3/4 | .167 | .500 ±.003 | .750 ±.001 | NBR | CARBON STEEL | CARBON STEEL | 5.82 |
| OS-0.50X0.87X0.12VC | 1/2 | 7/8 | 1/8 | .500 ±.003 | .875 ±.001 | NBR | CARBON STEEL | NOSPRING | 6.70 |
| OS-0.50X0.87X0.12VM | 1/2 | 7/8 | 1/8 | .500 ±.003 | .875 ±.001 | NBR | CARBON STEEL | NOSPRING | 5.56 |
| OS-0.50X0.87X0.25SC | 1/2 | 7/8 | 1/4 | .500 ±.003 | .875 ±.001 | NBR | CARBON STEEL | CARBON STEEL | 5.27 |
| OS-0.50X0.87X0.25TB | 1/2 | 7/8 | 1/4 | .500 ±.003 | .875 ±.001 | NBR | CARBON STEEL | CARBON STEEL | 7.95 |
| OS-0.50X0.87X0.25TEC | 1/2 | 7/8 | 1/4 | .500 ±.003 | .875 ±.001 | NBR | CARBON STEEL | CARBON STEEL | 9.53 |
| OS-0.50X0.87X0.31TBY | 1/2 | 7/8 | 5/16 | .500 ±.003 | .875 ±.001 | NBR | CARBON STEEL | CARBON STEEL | 6.31 |
| OS-0.50X1.00X0.25TB | 1/2 | 1 | 1/4 | .500 ±.003 | .999 ±.001 | NBR | CARBON STEEL | CARBON STEEL | 5.89 |
| OS-0.50X1.00X0.25TC | 1/2 | 1 | 1/4 | .500 ±.003 | 1.000 ±.001 | NBR | CARBON STEEL | CARBON STEEL | 5.53 |
| OS-0.50X1.00X0.25TCN | 1/2 | 1 | 1/4 | .500 ±.003 | 1.000 ±.001 | NBR | CARBON STEEL | CARBON STEEL | 8.55 |
| OS-0.50X1.12X0.25SB | 1/2 | 1-1/8 | 1/4 | .500 ±.003 | 1.124 ±.001 | NBR | CARBON STEEL | CARBON STEEL | 6.47 |
| OS-0.50X1.12X0.25SC | 1/2 | 1-1/8 | 1/4 | .500 ±.003 | 1.124 ±.001 | NBR | CARBON STEEL | CARBON STEEL | 5.82 |
| OS-0.50X1.12X0.25TB | 1/2 | 1-1/8 | 1/4 | .500 ±.003 | 1.124 ±.001 | NBR | CARBON STEEL | CARBON STEEL | 6.62 |

OIL SEALS

OIL SEALS

| Part Number | A Nom. ID | B Nom. OD | C Nom. Ht | E SHAFT DIAMETER | G HOUSING DIAMETER | MATERIAL | CAN MATERIAL | SPRING MATERIAL | List Price |
|-----------------------|--------------|--------------|--------------|------------------------|--------------------------|------------------|--------------|-----------------|---------------|
| OS-0.50X1.25X0.25TC | 1/2 | 1-1/4 | 1/4 | .500 ±.003 | 1.250 ±.001 | NBR | CARBON STEEL | CARBON STEEL | 7.57 |
| OS-0.56X0.87X0.18TC | 9/16 | 7/8 | 3/16 | .562 ±.003 | .875 ±.001 | NBR | CARBON STEEL | CARBON STEEL | 5.18 |
| OS-0.56X1.00X0.25SB | 9/16 | 1 | 1/4 | .563 ±.003 | .999 ±.001 | NBR | CARBON STEEL | CARBON STEEL | 7.30 |
| OS-0.56X1.00X0.25TC | 9/16 | 1 | 1/4 | .562 ±.003 | .999 ±.001 | NBR | CARBON STEEL | CARBON STEEL | 7.30 |
| OS-0.56X1.12X0.25TB | 9/16 | 1-1/8 | 1/4 | .563 ±.003 | 1.124 ±.001 | NBR | CARBON STEEL | CARBON STEEL | 7.95 |
| OS-0.56X1.25X0.25TB | 9/16 | 1-1/4 | 1/4 | .562 ±.003 | 1.250 ±.001 | NBR | CARBON STEEL | CARBON STEEL | 10.08 |
| OS-0.62X0.81X0.09VC | 5/8 | 13/16 | 3/32 | .625 ±.003 | .813 ±.001 | NBR | CARBON STEEL | NOSPRING | 6.80 |
| OS-0.62X0.81X0.09VM | 5/8 | 13/16 | 3/32 | .625 ±.003 | .812 ±.001 | NBR | CARBON STEEL | NOSPRING | 6.80 |
| OS-0.62X0.87X0.12SM | 5/8 | 7/8 | 1/8 | .625 ±.003 | .875 ±.001 | NBR | CARBON STEEL | CARBON STEEL | 6.31 |
| OS-0.62X1.00X0.12VMY | 5/8 | 1 | 1/8 | .625 ±.003 | 1.000 ±.001 | NBR | CARBON STEEL | NOSPRING | 7.46 |
| OS-0.62X1.00X0.25SM | 5/8 | 1 | 1/4 | .625 ±.003 | .999 ±.001 | NBR | CARBON STEEL | CARBON STEEL | 7.02 |
| OS-0.62X1.00X0.25TB | 5/8 | 1 | 1/4 | .625 ±.003 | .999 ±.001 | NBR | CARBON STEEL | CARBON STEEL | 7.46 |
| OS-0.62X1.00X0.25TC | 5/8 | 1 | 1/4 | .625 ±.003 | 1.000 ±.001 | NBR | CARBON STEEL | CARBON STEEL | 5.82 |
| OS-0.62X1.12X0.25TB | 5/8 | 1-1/8 | 1/4 | .625 ±.003 | 1.124 ±.001 | NBR | CARBON STEEL | CARBON STEEL | 6.39 |
| OS-0.62X1.12X0.25TC | 5/8 | 1-1/8 | 1/4 | .625 ±.003 | 1.125 ±.001 | NBR | CARBON STEEL | CARBON STEEL | 6.14 |
| OS-0.62X1.12X0.37TBY | 5/8 | 1-1/8 | 3/8 | .625 ±.003 | 1.124 ±.001 | NBR | CARBON STEEL | CARBON STEEL | 7.30 |
| OS-0.62X1.12X0.37TC | 5/8 | 1-1/8 | 3/8 | .625 ±.003 | 1.124 ±.001 | NBR | CARBON STEEL | CARBON STEEL | 5.18 |
| OS-0.62X1.25X0.25TC | 5/8 | 1-1/4 | 1/4 | .625 ±.003 | 1.250 ±.001 | NBR | CARBON STEEL | CARBON STEEL | 5.72 |
| OS-0.62X1.37X0.25TB | 5/8 | 1-3/8 | 1/4 | .625 ±.003 | 1.375 ±.001 | NBR | CARBON STEEL | CARBON STEEL | 6.88 |
| OS-0.62X1.37X0.25VTB | 5/8 | 1-3/8 | 1/4 | .625 ±.003 | 1.375 ±.001 | FKM | CARBON STEEL | STAINLESS STEEL | 18.50 |
| OS-0.62X1.50X0.25SB-H | 5/8 | 1-1/2 | 1/4 | .625 ±.003 | 1.499 ±.001 | NBR | CARBON STEEL | CARBON STEEL | 6.39 |
| OS-0.65X1.12X0.25SC | 21/32 | 1-1/8 | 1/4 | .656 ±.003 | 1.124 ±.001 | NBR | CARBON STEEL | CARBON STEEL | 2.59 |
| OS-0.68X1.00X0.18VM | 11/16 | 1 | 3/16 | .688 ±.003 | .999 ±.001 | NBR | CARBON STEEL | NOSPRING | 5.82 |
| OS-0.68X1.06X0.18SM | 11/16 | 1-1/16 | 3/16 | .687 ±.003 | 1.062 ±.001 | NBR | CARBON STEEL | CARBON STEEL | 6.88 |
| OS-0.68X1.12X0.25SB | 11/16 | 1-1/8 | 1/4 | .688 ±.003 | 1.124 ±.001 | NBR | CARBON STEEL | CARBON STEEL | 7.63 |
| OS-0.68X1.12X0.25TC | 11/16 | 1-1/8 | 1/4 | .688 ±.003 | 1.125 ±.001 | NBR | CARBON STEEL | CARBON STEEL | 6.14 |
| OS-0.68X1.18X0.18SB | 11/16 | 1-3/16 | 3/16 | .688 ±.003 | 1.187 ±.001 | NBR | CARBON STEEL | CARBON STEEL | 6.19 |
| OS-0.68X1.25X0.25TZ | 11/16 | 1-1/4 | 1/4 | .688 ±.003 | 1.250 ±.001 | NBR | CARBON STEEL | CARBON STEEL | 9.07 |
| OS-0.68X1.37X0.31TC | 11/16 | 1-3/8 | 5/16 | .688 ±.003 | 1.375 ±.001 | NBR | CARBON STEEL | CARBON STEEL | 6.31 |
| OS-0.75X1.00X0.12VC | 3/4 | 1 | 1/8 | .750 ±.003 | 1.000 ±.001 | NBR | CARBON STEEL | NOSPRING | 6.27 |
| OS-0.78X1.00X0.12VC | 3/4 | 1 | 1/8 | .750 ±.003 | 1.000 ±.001 | NBR | CARBON STEEL | NOSPRING | 4.65 |
| OS-0.75X1.00X0.15TC | 3/4 | 1 | 5/32 | .750 ±.003 | 1.000 ±.001 | NBR | CARBON STEEL | CARBON STEEL | 6.09 |
| OS-0.75X1.06X0.18TB | 3/4 | 1-1/16 | 3/16 | .750 ±.003 | 1.062 ±.001 | NBR | CARBON STEEL | CARBON STEEL | 8.02 |
| OS-0.75X1.12X0.15VC | 3/4 | 1-1/8 | 5/32 | .750 ±.003 | 1.125 ±.001 | NBR | CARBON STEEL | NOSPRING | 5.89 |
| OS-0.75X1.12X0.15VM | 3/4 | 1-1/8 | 5/32 | .750 ±.003 | 1.124 ±.001 | NBR | CARBON STEEL | NOSPRING | 5.89 |
| OS-0.75X1.12X0.18SZ | 3/4 | 1-1/8 | 3/16 | .750 ±.003 | 1.125 ±.001 | NBR | CARBON STEEL | CARBON STEEL | 8.14 |
| OS-0.75X1.12X0.18TB | 3/4 | 1-1/8 | 3/16 | .750 ±.003 | 1.124 ±.001 | NBR | CARBON STEEL | CARBON STEEL | 7.83 |
| OS-0.75X1.12X0.25TC | 3/4 | 1-1/8 | 1/4 | .750 ±.003 | 1.125 ±.001 | NBR | CARBON STEEL | CARBON STEEL | 5.66 |
| OS-0.75X1.18X0.25SB | 3/4 | 1-3/16 | 1/4 | .750 ±.003 | 1.187 ±.001 | NBR | CARBON STEEL | CARBON STEEL | 6.14 |
| OS-0.75X1.25X0.25SB | 3/4 | 1-1/4 | 1/4 | .750 ±.003 | 1.250 ±.001 | NBR | CARBON STEEL | CARBON STEEL | 5.72 |
| OS-0.75X1.25X0.25SC | 3/4 | 1-1/4 | 1/4 | .750 ±.003 | 1.250 ±.001 | NBR | CARBON STEEL | CARBON STEEL | 6.47 |
| OS-0.75X1.25X0.25TB | 3/4 | 1-1/4 | 1/4 | .750 ±.003 | 1.250 ±.001 | NBR | CARBON STEEL | CARBON STEEL | 6.14 |
| OS-0.75X1.25X0.25TC-G | 3/4 | 1-1/4 | 1/4 | .750 ±.003 | 1.250 ±.001 | NBR | CARBON STEEL | CARBON STEEL | 7.30 |
| OS-0.75X1.25X0.31TC | 3/4 | 1-1/4 | 5/16 | .750 ±.003 | 1.250 ±.001 | NBR | CARBON STEEL | CARBON STEEL | 9.53 |
| OS-0.75X1.25X0.31TZ | 3/4 | 1-1/4 | 5/16 | .750 ±.003 | 1.250 ±.001 | NBR | CARBON STEEL | CARBON STEEL | 6.80 |
| OS-0.75X1.25X0.31VTC | 3/4 | 1-1/4 | 5/16 | .750 ±.003 | 1.250 ±.001 | FKM | CARBON STEEL | STAINLESS STEEL | 24.82 |
| OS-0.75X1.31X0.25TB | 3/4 | 1-5/16 | 1/4 | .750 ±.003 | 1.312 ±.001 | NBR | CARBON STEEL | CARBON STEEL | 10.73 |
| OS-0.75X1.37X0.25PTC | 3/4 | 1-3/8 | 1/4 | .750 ±.003 | 1.375 ±.001 | ACM/POLYACRYLATE | CARBON STEEL | CARBON STEEL | 9.53 |
| OS-0.75X1.37X0.25TB | 3/4 | 1-3/8 | 1/4 | .750 ±.003 | 1.375 ±.001 | NBR | CARBON STEEL | CARBON STEEL | 6.39 |
| OS-0.75X1.50X0.25TB-H | 3/4 | 1-1/2 | 1/4 | .750 ±.003 | 1.499 ±.001 | NBR | CARBON STEEL | CARBON STEEL | 6.70 |
| OS-0.75X1.75X0.25SB | 3/4 | 1-3/4 | 1/4 | .750 ±.003 | 1.752 ±.001 | NBR | CARBON STEEL | CARBON STEEL | 8.36 |
| OS-0.75X1.75X0.31TZ | 3/4 | 1-3/4 | 5/16 | .750 ±.003 | 1.750 ±.001 | NBR | CARBON STEEL | CARBON STEEL | 8.36 |
| OS-0.78X1.12X0.18SB | 25/32 | 1-1/8 | 3/16 | .787 ±.003 | 1.124 ±.001 | NBR | CARBON STEEL | CARBON STEEL | 5.75 |
| OS-0.78X1.37X0.31SB | 25/32 | 1-3/8 | 5/16 | .781 ±.003 | 1.375 ±.001 | NBR | CARBON STEEL | CARBON STEEL | 6.47 |
| OS-0.78X1.75X0.31TZ | 25/32 | 1-3/4 | 5/16 | .782 ±.003 | 1.750 ±.001 | NBR | CARBON STEEL | CARBON STEEL | 7.02 |
| OS-0.81X1.06X0.12VC | 13/16 | 1-1/16 | 1/8 | .813 ±.003 | 1.063 ±.001 | NBR | CARBON STEEL | NOSPRING | 5.82 |
| OS-0.81X1.25X0.18SM | 13/16 | 1-1/4 | 3/16 | .813 ±.003 | 1.250 ±.001 | NBR | CARBON STEEL | CARBON STEEL | 6.20 |



OIL SEALS

OIL SEALS

| Part Number | A Nom. ID | B Nom. OD | C Nom. Ht | E SHAFT DIAMETER | G HOUSING DIAMETER | MATERIAL | CAN MATERIAL | SPRING MATERIAL | List Price |
|------------------------|--------------|--------------|--------------|------------------------|--------------------------|------------------|-----------------|-----------------|---------------|
| OS-0.81X1.37X0.25TB | 13/16 | 1-3/8 | 1/4 | .812 ±.003 | 1.375 ±.001 | NBR | CARBON STEEL | CARBON STEEL | 9.68 |
| OS-0.87X1.12X0.12VM | 7/8 | 1-1/8 | 1/8 | .875 ±.003 | 1.125 ±.001 | NBR | CARBON STEEL | NOSPRING | 4.95 |
| OS-0.87X1.18X0.16VZ | 7/8 | 1-3/16 | .164 | .875 ±.003 | 1.187 ±.001 | NBR | CARBON STEEL | NOSPRING | 5.53 |
| OS-0.87X1.25X.188SZ | 7/8 | 1-1/4 | 3/16 | .875 ±.003 | 1.250 ±.001 | NBR | CARBON STEEL | CARBON STEEL | 6.19 |
| OS-0.87X1.25X0.18SB | 7/8 | 1-1/4 | 3/16 | .875 ±.003 | 1.250 ±.001 | NBR | CARBON STEEL | CARBON STEEL | 5.89 |
| OS-0.87X1.25X0.18TB | 7/8 | 1-1/4 | 3/16 | .875 ±.003 | 1.250 ±.001 | NBR | CARBON STEEL | CARBON STEEL | 6.47 |
| OS-0.87X1.25X0.25SC | 7/8 | 1-1/4 | 1/4 | .875 ±.003 | 1.250 ±.001 | NBR | CARBON STEEL | CARBON STEEL | 5.66 |
| OS-0.87X1.37X0.25SB | 7/8 | 1-3/8 | 1/4 | .875 ±.003 | 1.375 ±.001 | NBR | CARBON STEEL | CARBON STEEL | 5.95 |
| OS-0.87X1.37X0.25TB | 7/8 | 1-3/8 | 1/4 | .875 ±.003 | 1.375 ±.001 | NBR | CARBON STEEL | CARBON STEEL | 5.07 |
| OS-0.87X1.37X0.25TBY | 7/8 | 1-3/8 | 1/4 | .875 ±.003 | 1.375 ±.001 | NBR | CARBON STEEL | CARBON STEEL | 6.47 |
| OS-0.87X1.37X0.25TC | 7/8 | 1-3/8 | 1/4 | .875 ±.003 | 1.375 ±.001 | NBR | CARBON STEEL | CARBON STEEL | 6.39 |
| OS-0.87X1.37X0.31SB | 7/8 | 1-3/8 | 5/16 | .875 ±.003 | 1.375 ±.001 | NBR | CARBON STEEL | CARBON STEEL | 7.02 |
| OS-0.87X1.37X0.31TA | 7/8 | 1-3/8 | 5/16 | .875 ±.003 | 1.375 ±.001 | NBR | CARBON STEEL | CARBON STEEL | 7.02 |
| OS-0.87X1.50X0.25TB-H | 7/8 | 1-1/2 | 1/4 | .875 ±.003 | 1.499 ±.001 | NBR | CARBON STEEL | CARBON STEEL | 6.80 |
| OS-0.87X1.50X0.25VTB | 7/8 | 1-1/2 | 1/4 | .875 ±.003 | 1.499 ±.001 | FKM | CARBON STEEL | STAINLESS STEEL | 20.05 |
| OS-0.87X1.50X0.31SC | 7/8 | 1-1/2 | 5/16 | .875 ±.003 | 1.500 ±.001 | NBR | CARBON STEEL | CARBON STEEL | 6.52 |
| OS-0.87X1.62X0.25TB | 7/8 | 1-5/8 | 1/4 | .875 ±.003 | 1.624 ±.001 | NBR | CARBON STEEL | CARBON STEEL | 7.95 |
| OS-0.87X1.82X0.37TB | 7/8 | 1-53/64 | 3/8 | .875 ±.003 | 1.828 ±.001 | NBR | CARBON STEEL | CARBON STEEL | 10.05 |
| OS-0.93X1.37X0.25TB | 15/16 | 1-3/8 | 1/4 | .938 ±.003 | 1.375 ±.001 | NBR | CARBON STEEL | CARBON STEEL | 6.62 |
| OS-0.93X1.50X0.25SB-H | 15/16 | 1-1/2 | 1/4 | .938 ±.003 | 1.500 ±.001 | NBR | CARBON STEEL | CARBON STEEL | 6.70 |
| OS-0.93X1.50X0.25TB | 15/16 | 1-1/2 | 1/4 | .937 ±.003 | 1.499 ±.001 | NBR | CARBON STEEL | CARBON STEEL | 8.02 |
| OS-0.93X1.75X0.31TC | 15/16 | 1-3/4 | 5/16 | .937 ±.003 | 1.750 ±.001 | NBR | CARBON STEEL | CARBON STEEL | 10.01 |
| OS-0.96X1.62X0.25SB-H | 31/32 | 1-5/8 | 1/4 | .969 ±.003 | 1.624 ±.001 | NBR | CARBON STEEL | CARBON STEEL | 8.36 |
| OS-1.00X1.25X0.12VB | 1 | 1-1/4 | 1/8 | 1.000 ±.003 | 1.250 ±.001 | NBR | CARBON STEEL | NOSPRING | 6.47 |
| OS-1.00X1.25X0.25TC | 1 | 1-1/4 | 1/4 | 1.000 ±.003 | 1.250 ±.001 | NBR | CARBON STEEL | CARBON STEEL | 7.13 |
| OS-1.00X1.31X0.12VL | 1 | 1-5/16 | 1/8 | 1.000 ±.003 | 1.312 ±.001 | NBR | CARBON STEEL | NOSPRING | 4.87 |
| OS-1.00X1.37X0.25PSB | 1 | 1-3/8 | 1/4 | 1.000 ±.003 | 1.375 ±.001 | ACM/POLYACRYLATE | CARBON STEEL | STAINLESS STEEL | 6.52 |
| OS-1.00X1.37X0.25TBY | 1 | 1-3/8 | 1/4 | 1.000 ±.003 | 1.375 ±.001 | NBR | CARBON STEEL | CARBON STEEL | 6.70 |
| OS-1.00X1.43X0.25SC | 1 | 1-7/16 | 1/4 | 1.000 ±.003 | 1.437 ±.001 | NBR | CARBON STEEL | CARBON STEEL | 8.44 |
| OS-1.00X1.50X0.18VB | 1 | 1-1/2 | 3/16 | 1.000 ±.003 | 1.499 ±.001 | NBR | CARBON STEEL | NOSPRING | 5.95 |
| OS-1.00X1.50X0.25SB-H | 1 | 1-1/2 | 1/4 | 1.000 ±.003 | 1.499 ±.001 | NBR | CARBON STEEL | CARBON STEEL | 5.75 |
| OS-1.00X1.50X0.25TB | 1 | 1-1/2 | 1/4 | 1.000 ±.003 | 1.499 ±.001 | NBR | CARBON STEEL | CARBON STEEL | 7.63 |
| OS-1.00X1.50X0.25TB-H | 1 | 1-1/2 | 1/4 | 1.000 ±.003 | 1.499 ±.001 | NBR | CARBON STEEL | CARBON STEEL | 7.63 |
| OS-1.00X1.50X0.25TBY | 1 | 1-1/2 | 1/4 | 1.000 ±.003 | 1.499 ±.001 | NBR | CARBON STEEL | CARBON STEEL | 5.89 |
| OS-1.00X1.50X0.25TC | 1 | 1-1/2 | 1/4 | 1.000 ±.003 | 1.499 ±.001 | NBR | CARBON STEEL | CARBON STEEL | 6.62 |
| OS-1.00X1.50X0.31TC | 1 | 1-1/2 | 5/16 | 1.000 ±.003 | 1.500 ±.001 | NBR | CARBON STEEL | CARBON STEEL | 6.80 |
| OS-1.00X1.56X0.25VB-H | 1 | 1-9/16 | 1/4 | 1.000 ±.003 | 1.561 ±.001 | NBR | CARBON STEEL | NOSPRING | 6.62 |
| OS-1.00X1.57X0.25TB | 1 | 1-37/64 | 1/4 | 1.000 ±.003 | 1.575 ±.001 | NBR | CARBON STEEL | CARBON STEEL | 7.63 |
| OS-1.00X1.62X0.25SB | 1 | 1-5/8 | 1/4 | 1.000 ±.003 | 1.624 ±.001 | NBR | CARBON STEEL | CARBON STEEL | 7.63 |
| OS-1.00X1.62X0.25TB | 1 | 1-5/8 | 1/4 | 1.000 ±.003 | 1.624 ±.001 | NBR | CARBON STEEL | CARBON STEEL | 9.13 |
| OS-1.00X1.62X0.25TC | 1 | 1-5/8 | 1/4 | 1.000 ±.003 | 1.625 ±.001 | NBR | CARBON STEEL | CARBON STEEL | 8.25 |
| OS-1.00X1.62X0.25VB | 1 | 1-5/8 | 1/4 | 1.000 ±.003 | 1.624 ±.001 | NBR | CARBON STEEL | NOSPRING | 5.75 |
| OS-1.00X1.62X0.37SSTZN | 1 | 1-5/8 | 3/8 | 1.000 ±.003 | 1.627 ±.001 | NBR | STAINLESS STEEL | STAINLESS STEEL | 11.01 |
| OS-1.00X1.68X0.25TB | 1 | 1-11/16 | 1/4 | 1.000 ±.003 | 1.686 ±.001 | NBR | CARBON STEEL | CARBON STEEL | 16.76 |
| OS-1.00X1.75X0.25SB | 1 | 1-3/4 | 1/4 | 1.000 ±.003 | 1.752 ±.001 | NBR | CARBON STEEL | CARBON STEEL | 10.24 |
| OS-1.00X1.75X0.25TB | 1 | 1-3/4 | 1/4 | 1.000 ±.003 | 1.752 ±.001 | NBR | CARBON STEEL | CARBON STEEL | 7.95 |
| OS-1.00X1.75X0.25VSB | 1 | 1-3/4 | 1/4 | 1.000 ±.003 | 1.752 ±.001 | FKM | CARBON STEEL | STAINLESS STEEL | 24.25 |
| OS-1.00X1.78X0.46VHY | 1 | 1-25/32 | 15/32 | 1.000 ±.003 | 1.781 ±.001 | NBR | CARBON STEEL | NOSPRING | 7.20 |
| OS-1.00X1.87X0.25SB | 1 | 1-7/8 | 1/4 | 1.000 ±.003 | 1.874 ±.001 | NBR | CARBON STEEL | CARBON STEEL | 7.30 |
| OS-1.00X1.87X0.25TB | 1 | 1-7/8 | 1/4 | 1.000 ±.003 | 1.874 ±.001 | NBR | CARBON STEEL | CARBON STEEL | 7.46 |
| OS-1.00X1.98X0.31TB | 1 | 1-63/64 | 5/16 | 1.000 ±.003 | 1.982 ±.001 | NBR | CARBON STEEL | CARBON STEEL | 8.79 |
| OS-1.00X2.06X0.37SC | 1 | 2-1/16 | 3/8 | 1.000 ±.003 | 2.062 ±.001 | NBR | CARBON STEEL | CARBON STEEL | 8.50 |
| OS-1.00X2.43X0.37TC | 1 | 2-7/16 | 3/8 | 1.000 ±.003 | 2.437 ±.001 | NBR | CARBON STEEL | CARBON STEEL | 9.80 |
| OS-1.06X1.31X0.12VCY | 1.062 | 1.312 | 1/8 | 1.062 ±.003 | 1.312 ±.001 | NBR | CARBON STEEL | NOSPRING | 6.81 |
| OS-1.06X1.33X0.16VC | 1.062 | 1.337 | .16 | 1.062 ±.003 | | NBR | CARBON STEEL | NOSPRING | 6.95 |
| OS-1.06X1.50X0.25SB-H | 1-1/16 | 1-1/2 | 1/4 | 1.063 ±.003 | 1.499 ±.001 | NBR | CARBON STEEL | CARBON STEEL | 7.80 |
| OS-1.06X1.62X0.25SB | 1-1/16 | 1-5/8 | 1/4 | 1.063 ±.003 | 1.624 ±.001 | NBR | CARBON STEEL | CARBON STEEL | 8.79 |

OIL SEALS

OIL SEALS

| Part Number | A Nom. ID | B Nom. OD | C Nom. Ht | E SHAFT DIAMETER | G HOUSING DIAMETER | MATERIAL | CAN MATERIAL | SPRING MATERIAL | List Price |
|----------------------|--------------|--------------|--------------|------------------------|--------------------------|------------------|-----------------|-----------------|------------|
| OS-1.06X1.87X0.25SB | 1-1/16 | 1-7/8 | 1/4 | 1.063 ±.003 | 1.874 ±.001 | NBR | CARBON STEEL | CARBON STEEL | 9.74 |
| OS-1.12X1.37X0.12VM | 1-1/8 | 1-3/8 | 1/8 | 1.125 ±.003 | 1.375 ±.001 | NBR | CARBON STEEL | NOSPRING | 6.14 |
| OS-1.12X1.50X0.18VB | 1-1/8 | 1-1/2 | 3/16 | 1.125 ±.003 | 1.499 ±.001 | NBR | CARBON STEEL | NOSPRING | 12.22 |
| OS-1.12X1.50X0.18VTC | 1-1/8 | 1-1/2 | 3/16 | 1.125 ±.003 | 1.499 ±.001 | FKM | CARBON STEEL | STAINLESS STEEL | 29.70 |
| OS-1.12X1.56X0.25PSL | 1-1/8 | 1-9/16 | 1/4 | 1.125 ±.003 | 1.561 ±.001 | ACM/POLYACRYLATE | CARBON STEEL | STAINLESS STEEL | 9.07 |
| OS-1.12X1.56X0.25SB | 1-1/8 | 1-9/16 | 1/4 | 1.125 ±.003 | 1.562 ±.001 | NBR | CARBON STEEL | CARBON STEEL | 7.57 |
| OS-1.12X1.62X0.25SB | 1-1/8 | 1-5/8 | 1/4 | 1.125 ±.003 | 1.624 ±.001 | NBR | CARBON STEEL | CARBON STEEL | 7.51 |
| OS-1.12X1.62X0.25SC | 1-1/8 | 1-5/8 | 1/4 | 1.125 ±.003 | 1.625 ±.001 | NBR | CARBON STEEL | CARBON STEEL | 7.76 |
| OS-1.12X1.62X0.25TB | 1-1/8 | 1-5/8 | 1/4 | 1.125 ±.003 | 1.624 ±.001 | NBR | CARBON STEEL | CARBON STEEL | 8.25 |
| OS-1.15X1.68X0.31TC | 1-1/8 | 1-11/16 | 5/16 | 1.156 ±.003 | 1.686 ±.001 | NBR | CARBON STEEL | CARBON STEEL | 8.79 |
| OS-1.12X1.75X0.25SB | 1-1/8 | 1-3/4 | 1/4 | 1.125 ±.003 | 1.752 ±.001 | NBR | CARBON STEEL | CARBON STEEL | 7.46 |
| OS-1.12X1.75X0.25TB | 1-1/8 | 1-3/4 | 1/4 | 1.125 ±.003 | 1.752 ±.001 | NBR | CARBON STEEL | CARBON STEEL | 7.46 |
| OS-1.12X1.78X0.46TB | 1-1/8 | 1-25/32 | 15/32 | 1.125 ±.003 | 1.781 ±.001 | NBR | CARBON STEEL | CARBON STEEL | 7.83 |
| OS-1.12X1.82X0.25TB | 1-1/8 | 1-53/64 | 1/4 | 1.125 ±.003 | 1.828 ±.001 | NBR | CARBON STEEL | CARBON STEEL | 8.50 |
| OS-1.12X1.82X0.25TC | 1-1/8 | 1-53/64 | 1/4 | 1.125 ±.003 | 1.828 ±.001 | NBR | CARBON STEEL | CARBON STEEL | 7.63 |
| OS-1.12X1.87X0.25TB | 1-1/8 | 1-7/8 | 1/4 | 1.125 ±.003 | 1.874 ±.001 | NBR | CARBON STEEL | CARBON STEEL | 8.07 |
| OS-1.12X2.00X0.25SB | 1-1/8 | 2 | 1/4 | 1.125 ±.003 | 2.000 ±.001 | NBR | CARBON STEEL | CARBON STEEL | 8.25 |
| OS-1.12X2.00X0.37TB | 1-1/8 | 2 | 3/8 | 1.125 ±.003 | 2.000 ±.001 | NBR | CARBON STEEL | CARBON STEEL | 8.69 |
| OS-1.12X2.12X0.31SB | 1-1/8 | 2-1/8 | 5/16 | 1.125 ±.003 | 2.125 ±.001 | NBR | CARBON STEEL | CARBON STEEL | 8.44 |
| OS-1.18X1.68X0.25SB | 1-3/16 | 1-11/16 | 1/4 | 1.188 ±.003 | 1.686 ±.001 | NBR | STAINLESS STEEL | STAINLESS STEEL | 7.57 |
| OS-1.18X1.87X0.25SB | 1-3/16 | 1-7/8 | 1/4 | 1.188 ±.003 | 1.875 ±.001 | NBR | CARBON STEEL | CARBON STEEL | 9.53 |
| OS-1.18X2.00X0.25TB | 1-3/16 | 2 | 1/4 | 1.188 ±.003 | 2.000 ±.001 | NBR | CARBON STEEL | CARBON STEEL | 8.25 |
| OS-1.25X1.50X0.12VB | 1-1/4 | 1-1/2 | 1/8 | 1.250 ±.003 | 1.500 ±.001 | NBR | CARBON STEEL | NOSPRING | 6.14 |
| OS-1.25X1.50X0.12VC | 1-1/4 | 1-1/2 | 1/8 | 1.250 ±.003 | 1.500 ±.001 | NBR | CARBON STEEL | NOSPRING | 6.14 |
| OS-1.25X1.62X0.18SB | 1-1/4 | 1-5/8 | 3/16 | 1.250 ±.003 | 1.625 ±.001 | NBR | CARBON STEEL | CARBON STEEL | 7.20 |
| OS-1.25X1.62X0.18SM | 1-1/4 | 1-5/8 | 3/16 | 1.250 ±.003 | 1.625 ±.001 | NBR | CARBON STEEL | CARBON STEEL | 10.14 |
| OS-1.25X1.62X0.25TC | 1-1/4 | 1-5/8 | 1/4 | 1.250 ±.003 | 1.625 ±.001 | NBR | CARBON STEEL | CARBON STEEL | 8.59 |
| OS-1.25X1.68X0.18VB | 1-1/4 | 1-11/16 | 3/16 | 1.250 ±.003 | 1.686 ±.001 | NBR | CARBON STEEL | NOSPRING | 8.79 |
| OS-1.25X1.68X0.25SB | 1-1/4 | 1-11/16 | 1/4 | 1.250 ±.003 | 1.687 ±.001 | NBR | CARBON STEEL | CARBON STEEL | 9.18 |
| OS-1.25X1.68X0.25SC | 1-1/4 | 1-11/16 | 1/4 | 1.250 ±.003 | 1.686 ±.001 | NBR | CARBON STEEL | CARBON STEEL | 8.79 |
| OS-1.25X1.68X0.25TC | 1-1/4 | 1-11/16 | 1/4 | 1.250 ±.003 | 1.687 ±.001 | NBR | CARBON STEEL | CARBON STEEL | 8.59 |
| OS-1.25X1.68X0.31TB | 1-1/4 | 1-11/16 | 5/16 | 1.250 ±.003 | 1.687 ±.001 | NBR | CARBON STEEL | CARBON STEEL | 10.24 |
| OS-1.25X1.75X0.25TB | 1-1/4 | 1-3/4 | 1/4 | 1.250 ±.003 | 1.750 ±.001 | NBR | CARBON STEEL | CARBON STEEL | 7.76 |
| OS-1.25X1.75X0.25TBY | 1-1/4 | 1-3/4 | 1/4 | 1.250 ±.003 | 1.750 ±.001 | NBR | CARBON STEEL | CARBON STEEL | 9.80 |
| OS-1.25X1.87X0.25TB | 1-1/4 | 1-7/8 | 1/4 | 1.250 ±.003 | 1.874 ±.001 | NBR | CARBON STEEL | CARBON STEEL | 7.76 |
| OS-1.25X1.98X0.25TB | 1-1/4 | 1.979 | 1/4 | 1.250 ±.003 | 1.979 ±.001 | NBR | CARBON STEEL | CARBON STEEL | 10.29 |
| OS-1.25X1.98X0.25VH | 1-1/4 | 1-63/64 | 1/4 | 1.250 ±.003 | 1.983 ±.001 | NBR | CARBON STEEL | NOSPRING | 8.69 |
| OS-1.25X2.00X0.25TB | 1-1/4 | 2 | 1/4 | 1.250 ±.003 | 2.000 ±.001 | NBR | CARBON STEEL | CARBON STEEL | 8.44 |
| OS-1.25X2.00X0.25VTB | 1-1/4 | 2 | 1/4 | 1.250 ±.003 | 2.000 ±.001 | FKM | CARBON STEEL | STAINLESS STEEL | 27.60 |
| OS-1.25X2.00X0.31TC | 1-1/4 | 2 | 5/16 | 1.250 ±.003 | 2.000 ±.001 | NBR | CARBON STEEL | CARBON STEEL | 12.28 |
| OS-1.25X2.00X0.43SB | 1-1/4 | 2 | 7/16 | 1.250 ±.003 | 2.000 ±.001 | NBR | CARBON STEEL | CARBON STEEL | 13.33 |
| OS-1.25X2.062X0.25TB | 1-1/4 | 2-1/16 | 1/4 | 1.250 ±.003 | 2.062 ±.001 | NBR | CARBON STEEL | CARBON STEEL | 10.86 |
| OS-1.25X2.12X0.25SB | 1-1/4 | 2-1/8 | 1/4 | 1.250 ±.003 | 2.125 ±.001 | NBR | CARBON STEEL | CARBON STEEL | 8.93 |
| OS-1.25X2.12X0.25TB | 1-1/4 | 2-1/8 | 1/4 | 1.250 ±.003 | 2.125 ±.001 | NBR | CARBON STEEL | CARBON STEEL | 8.79 |
| OS-1.25X2.25X0.25VB | 1-1/4 | 2-1/4 | 1/4 | 1.250 ±.003 | 2.250 ±.001 | NBR | CARBON STEEL | NOSPRING | 9.39 |
| OS-1.25X2.47X0.31SC | 1-1/4 | 2-7/16 | 5/16 | 1.250 ±.003 | 2.437 ±.001 | NBR | CARBON STEEL | CARBON STEEL | 7.46 |
| OS-1.28X2.00X0.37TB | 1-9/32 | 2 | 3/8 | 1.281 ±.003 | 2.000 ±.001 | NBR | CARBON STEEL | CARBON STEEL | 11.34 |
| OS-1.31X1.56X0.12VC | 1-5/16 | 1-9/16 | 1/8 | 1.3125 ±.003 | 1.5625 ±.001 | NBR | CARBON STEEL | NOSPRING | 6.54 |
| OS-1.31X2.12X0.31TB | 1-5/16 | 2-1/8 | 5/16 | 1.312 ±.003 | 2.125 ±.001 | NBR | CARBON STEEL | CARBON STEEL | 14.66 |
| OS-1.37X1.75X0.18SM | 1-3/8 | 1-3/4 | 3/16 | 1.375 ±.003 | 1.750 ±.001 | NBR | CARBON STEEL | CARBON STEEL | 8.79 |
| OS-1.37X1.75X0.18VB | 1-3/8 | 1-3/4 | 3/16 | 1.375 ±.003 | 1.750 ±.001 | NBR | CARBON STEEL | NOSPRING | 7.30 |
| OS-1.37X1.75X0.21TB | 1-3/8 | 1-3/4 | 7/32 | 1.375 ±.003 | 1.750 ±.001 | NBR | CARBON STEEL | CARBON STEEL | 15.71 |
| OS-1.37X1.82X0.31SB | 1-3/8 | 1-53/64 | 5/16 | 1.375 ±.003 | 1.828 ±.001 | NBR | CARBON STEEL | CARBON STEEL | 7.95 |
| OS-1.37X1.87X0.25SB | 1-3/8 | 1-7/8 | 1/4 | 1.375 ±.003 | 1.874 ±.001 | NBR | CARBON STEEL | CARBON STEEL | 8.44 |
| OS-1.37X1.93X0.25TB | 1-3/8 | 1-15/16 | 1/4 | 1.375 ±.003 | 1.938 ±.001 | NBR | CARBON STEEL | CARBON STEEL | 8.21 |
| OS-1.37X1.93X0.25VB | 1-3/8 | 1-15/16 | 1/4 | 1.375 ±.003 | 1.938 ±.001 | NBR | CARBON STEEL | NOSPRING | 7.30 |
| OS-1.37X1.98X0.43TM | 1-3/8 | 1.979 | 7/16 | 1.372 ±.003 | 1.979 ±.001 | NBR | CARBON STEEL | CARBON STEEL | 7.83 |



OIL SEALS

OIL SEALS

| Part Number | A Nom. ID | B Nom. OD | C Nom. Ht | E SHAFT DIAMETER | G HOUSING DIAMETER | MATERIAL | CAN MATERIAL | SPRING MATERIAL | List Price |
|------------------------|--------------|--------------|--------------|------------------------|--------------------------|----------|--------------|-----------------|------------|
| OS-1.37X2.00X0.31VTB | 1-3/8 | 2 | 5/16 | 1.375 ±.003 | 2.000 ±.001 | FKM | CARBON STEEL | STAINLESS STEEL | 22.41 |
| OS-1.37X2.00X0.37TA | 1-3/8 | 2 | 3/8 | 1.375 ±.003 | 2.000 ±.001 | NBR | CARBON STEEL | CARBON STEEL | 10.41 |
| OS-1.37X2.12X0.31TB | 1-3/8 | 2-1/8 | 5/16 | 1.375 ±.003 | 2.125 ±.001 | NBR | CARBON STEEL | CARBON STEEL | 8.79 |
| OS-1.37X2.12X0.31TC | 1-3/8 | 2-1/8 | 5/16 | 1.375 ±.003 | 2.125 ±.001 | NBR | CARBON STEEL | CARBON STEEL | 6.20 |
| OS-1.37X2.12X0.43SA | 1-3/8 | 2-1/8 | 7/16 | 1.375 ±.003 | 2.125 ±.001 | NBR | CARBON STEEL | CARBON STEEL | 10.46 |
| OS-1.37X2.25X0.31TB | 1-3/8 | 2-1/4 | 5/16 | 1.375 ±.003 | 2.250 ±.001 | NBR | CARBON STEEL | CARBON STEEL | 12.23 |
| OS-1.37X2.37X0.31TB | 1-3/8 | 2-3/8 | 5/16 | 1.375 ±.003 | 2.374 ±.001 | NBR | CARBON STEEL | CARBON STEEL | 9.80 |
| OS-1.37X2.44X0.31TB | 1-3/8 | 2.441 | 5/16 | 1.375 ±.003 | 2.441 ±.001 | NBR | CARBON STEEL | CARBON STEEL | 12.33 |
| OS-1.43X2.00X0.31TC | 1-7/16 | 2 | 5/16 | 1.437 ±.003 | 2.000 ±.001 | NBR | CARBON STEEL | CARBON STEEL | 8.30 |
| OS-1.43X2.12X0.37SC | 1-7/16 | 2-1/8 | 3/8 | 1.438 ±.003 | 2.125 ±.001 | NBR | CARBON STEEL | CARBON STEEL | 8.30 |
| OS-1.43X2.37X0.31TB | 1-7/16 | 2-3/8 | 5/16 | 1.438 ±.003 | 2.374 ±.001 | NBR | CARBON STEEL | CARBON STEEL | 10.46 |
| OS-1.50X1.87X0.25SB | 1-1/2 | 1-7/8 | 1/4 | 1.500 ±.003 | 1.874 ±.001 | NBR | CARBON STEEL | CARBON STEEL | 8.44 |
| OS-1.50X1.87X0.25TB | 1-1/2 | 1-7/8 | 1/4 | 1.500 ±.003 | 1.874 ±.001 | NBR | CARBON STEEL | CARBON STEEL | 9.22 |
| OS-1.50X1.87X0.25VB | 1-1/2 | 1-7/8 | 1/4 | 1.500 ±.003 | 1.874 ±.001 | NBR | CARBON STEEL | NO SPRING | 6.88 |
| OS-1.50X1.98X0.18VB | 1-1/2 | 1-63/64 | 3/16 | 1.500 ±.003 | 1.983 ±.001 | NBR | CARBON STEEL | NO SPRING | 7.20 |
| OS-1.50X1.98X0.25TB | 1-1/2 | 1-63/64 | 1/4 | 1.500 ±.003 | 1.983 ±.001 | NBR | CARBON STEEL | CARBON STEEL | 7.63 |
| OS-1.50X1.99X0.25KB | 1-1/2 | 1-63/64 | 1/4 | 1.500 ±.003 | 1.989 ±.001 | NBR | CARBON STEEL | NO SPRING | 9.07 |
| OS-1.50X2.00X0.25VB | 1-1/2 | 2 | 1/4 | 1.500 ±.003 | 2.000 ±.001 | NBR | CARBON STEEL | NO SPRING | 8.25 |
| OS-1.50X2.00X0.31TB | 1-1/2 | 2 | 5/16 | 1.500 ±.003 | 2.000 ±.001 | NBR | CARBON STEEL | CARBON STEEL | 11.33 |
| OS-1.50X2.12X0.31TB | 1-1/2 | 2-1/8 | 5/16 | 1.500 ±.003 | 2.125 ±.001 | NBR | CARBON STEEL | CARBON STEEL | 11.67 |
| OS-1.50X2.25X0.25VH | 1-1/2 | 2-1/4 | 1/4 | 1.500 ±.003 | 2.250 ±.001 | NBR | CARBON STEEL | NO SPRING | 8.79 |
| OS-1.50X2.25X0.31SB | 1-1/2 | 2-1/4 | 5/16 | 1.500 ±.003 | 2.250 ±.001 | NBR | CARBON STEEL | CARBON STEEL | 11.01 |
| OS-1.50X2.25X0.31TB | 1-1/2 | 2-1/4 | 5/16 | 1.500 ±.003 | 2.250 ±.001 | NBR | CARBON STEEL | CARBON STEEL | 9.74 |
| OS-1.50X2.25X0.31VTB-H | 1-1/2 | 2-1/4 | 5/16 | 1.500 ±.003 | 2.250 ±.001 | FKM | CARBON STEEL | STAINLESS STEEL | 27.11 |
| OS-1.50X2.37X0.25VH | 1-1/2 | 2-3/8 | 1/4 | 1.500 ±.003 | 2.374 ±.001 | NBR | CARBON STEEL | NO SPRING | 7.83 |
| OS-1.50X2.37X0.31TB | 1-1/2 | 2-3/8 | 5/16 | 1.500 ±.003 | 2.374 ±.001 | NBR | CARBON STEEL | CARBON STEEL | 7.80 |
| OS-1.50X2.37X0.31TB-H | 1-1/2 | 2-3/8 | 5/16 | 1.500 ±.003 | 2.374 ±.001 | NBR | CARBON STEEL | CARBON STEEL | 12.79 |
| OS-1.50X2.50X0.31SB | 1-1/2 | 2-1/2 | 5/16 | 1.500 ±.003 | 2.502 ±.001 | NBR | CARBON STEEL | CARBON STEEL | 8.44 |
| OS-1.50X2.50X0.31TB | 1-1/2 | 2-1/2 | 5/16 | 1.500 ±.003 | 2.502 ±.001 | NBR | CARBON STEEL | CARBON STEEL | 11.29 |
| OS-1.50X2.75X0.31SB | 1-1/2 | 2-3/4 | 5/16 | 1.500 ±.003 | 2.750 ±.001 | NBR | CARBON STEEL | CARBON STEEL | 14.94 |
| OS-1.56X2.12X0.31SB | 1-9/16 | 2-1/8 | 5/16 | 1.563 ±.003 | 2.125 ±.001 | NBR | CARBON STEEL | CARBON STEEL | 11.01 |
| OS-1.56X2.37X0.31TB | 1-9/16 | 2-3/8 | 5/16 | 1.563 ±.003 | 2.374 ±.001 | NBR | CARBON STEEL | CARBON STEEL | 10.54 |
| OS-1.62X1.87X0.12VM | 1-5/8 | 1-7/8 | 1/8 | 1.625 ±.003 | 1.875 ±.001 | NBR | CARBON STEEL | NO SPRING | 8.61 |
| OS-1.625X2.00X0.25SB | 1-5/8 | 2 | 1/4 | 1.625 ±.003 | 2.000 ±.001 | NBR | CARBON STEEL | CARBON STEEL | 7.83 |
| OS-1.62X2.12X0.25SB | 1-5/8 | 2-1/8 | 1/4 | 1.625 ±.003 | 2.125 ±.001 | NBR | CARBON STEEL | CARBON STEEL | 10.73 |
| OS-1.62X2.37X0.31TB | 1-5/8 | 2-3/8 | 5/16 | 1.625 ±.003 | 2.374 ±.001 | NBR | CARBON STEEL | CARBON STEEL | 9.18 |
| OS-1.62X2.37X0.37TC | 1-5/8 | 2-3/8 | 3/8 | 1.625 ±.003 | 2.375 ±.001 | NBR | CARBON STEEL | CARBON STEEL | 12.33 |
| OS-1.62X2.43X0.31TB | 1-5/8 | 2-7/16 | 5/16 | 1.625 ±.003 | 2.437 ±.001 | NBR | CARBON STEEL | CARBON STEEL | 10.29 |
| OS-1.62X2.50X0.31TB | 1-5/8 | 2-1/2 | 5/16 | 1.625 ±.003 | 2.502 ±.001 | NBR | CARBON STEEL | CARBON STEEL | 10.46 |
| OS-1.71X2.56X0.50TB | 1-23/32 | 2-9/16 | 1/2 | 1.719 ±.003 | 2.561 ±.001 | NBR | CARBON STEEL | CARBON STEEL | 10.46 |
| OS-1.75X2.00X0.12VM | 1-3/4 | 2 | 1/8 | 1.750 ±.003 | 2.000 ±.001 | NBR | CARBON STEEL | NO SPRING | 6.94 |
| OS-1.75X2.12X0.18SB | 1-3/4 | 2-1/8 | 3/16 | 1.750 ±.003 | 2.125 ±.001 | NBR | CARBON STEEL | CARBON STEEL | 12.28 |
| OS-1.75X2.25X0.18VB | 1-3/4 | 2-1/4 | 3/16 | 1.750 ±.003 | 2.250 ±.001 | NBR | CARBON STEEL | NO SPRING | 9.18 |
| OS-1.75X2.25X0.31SB | 1-3/4 | 2-1/4 | 5/16 | 1.750 ±.003 | 2.250 ±.001 | NBR | CARBON STEEL | CARBON STEEL | 12.04 |
| OS-1.75X2.37X0.31TB | 1-3/4 | 2-3/8 | 5/16 | 1.750 ±.003 | 2.374 ±.001 | NBR | CARBON STEEL | CARBON STEEL | 9.18 |
| OS-1.75X2.43X0.31TB | 1-3/4 | 2-7/16 | 5/16 | 1.750 ±.003 | 2.437 ±.001 | NBR | CARBON STEEL | CARBON STEEL | 11.36 |
| OS-1.75X2.43X0.31TC | 1-3/4 | 2-7/16 | 5/16 | 1.750 ±.003 | 2.438 ±.001 | NBR | CARBON STEEL | CARBON STEEL | 10.46 |
| OS-1.75X2.50X0.31TB | 1-3/4 | 2-1/2 | 5/16 | 1.750 ±.003 | 2.502 ±.001 | NBR | CARBON STEEL | CARBON STEEL | 13.02 |
| OS-1.75X2.50X0.31VTB | 1-3/4 | 2-1/2 | 5/16 | 1.750 ±.003 | 2.502 ±.001 | FKM | CARBON STEEL | STAINLESS STEEL | 30.88 |
| OS-1.75X2.56X0.31TB | 1-3/4 | 2-9/16 | 5/16 | 1.750 ±.003 | 2.565 ±.001 | NBR | CARBON STEEL | CARBON STEEL | 11.53 |
| OS-1.75X2.62X0.31TB | 1-3/4 | 2-5/8 | 5/16 | 1.750 ±.003 | 2.623 ±.001 | NBR | CARBON STEEL | CARBON STEEL | 11.01 |
| OS-1.75X2.68X0.31SL-H | 1-3/4 | 2-11/16 | 5/16 | 1.750 ±.003 | 2.686 ±.001 | NBR | CARBON STEEL | CARBON STEEL | 13.59 |
| OS-1.75X2.75X0.31TB | 1-3/4 | 2-3/4 | 5/16 | 1.750 ±.003 | 2.750 ±.001 | NBR | CARBON STEEL | CARBON STEEL | 11.74 |
| OS-1.75X2.87X0.31SB | 1-3/4 | 2-7/8 | 5/16 | 1.750 ±.003 | 2.875 ±.001 | NBR | CARBON STEEL | CARBON STEEL | 13.96 |
| OS-1.75X3.00X0.37TB | 1-3/4 | 3 | 3/8 | 1.750 ±.003 | 3.000 ±.001 | NBR | CARBON STEEL | CARBON STEEL | 12.66 |
| OS-1.87X2.50X0.25VHY | 1-7/8 | 2-1/2 | 1/4 | 1.875 ±.003 | 2.502 ±.001 | NBR | CARBON STEEL | NO SPRING | 8.93 |
| OS-1.87X2.50X0.31SB | 1-7/8 | 2-1/2 | 5/16 | 1.875 ±.003 | 2.502 ±.001 | NBR | CARBON STEEL | CARBON STEEL | 9.69 |

NORTH AMERICA
PHONE 1-800-777-5617
FAX 1-800-759-6391

SALES OFFICE HOURS
8 A.M. TO 7:30 P.M. EASTERN TIME
www.HerculesUS.com

WORLDWIDE
PHONE 1-727-796-1300
FAX 1-727-797-8849

OIL SEALS

OIL SEALS

| Part Number | A Nom. ID | B Nom. OD | C Nom. Ht | E SHAFT DIAMETER | G HOUSING DIAMETER | MATERIAL | CAN MATERIAL | SPRING MATERIAL | List Price |
|-----------------------|--------------|--------------|--------------|------------------------|--------------------------|----------|--------------|-----------------|------------|
| OS-1.87X2.62X0.31TB | 1-7/8 | 2-5/8 | 5/16 | 1.875 ±.003 | 2.623 ±.001 | NBR | CARBON STEEL | CARBON STEEL | 10.05 |
| OS-1.87X2.62X0.31TB-H | 1-7/8 | 2-5/8 | 5/16 | 1.875 ±.003 | 2.623 ±.001 | NBR | CARBON STEEL | CARBON STEEL | 10.41 |
| OS-1.87X3.37X0.46TA | 1-7/8 | 3-3/8 | 15/32 | 1.875 ±.003 | 3.375 ±.001 | NBR | CARBON STEEL | CARBON STEEL | 5.04 |
| OS-1.93X2.68X0.31TC | 1-15/16 | 2-11/16 | 5/16 | 1.938 ±.003 | 2.686 ±.001 | NBR | CARBON STEEL | CARBON STEEL | 19.25 |
| OS-1.93X2.68X0.31TL-H | 1-15/16 | 2-11/16 | 5/16 | 1.938 ±.003 | 2.686 ±.001 | NBR | CARBON STEEL | CARBON STEEL | 13.59 |
| OS-2.00X2.50X0.25TC | 2 | 2-1/2 | 1/4 | 2.000 ±.003 | 2.502 ±.001 | NBR | CARBON STEEL | CARBON STEEL | 12.72 |
| OS-2.00X2.50X0.25VB | 2 | 2-1/2 | 1/4 | 2.000 ±.003 | 2.502 ±.001 | NBR | CARBON STEEL | NOSPRING | 10.46 |
| OS-2.00X2.62X0.25VHY | 2 | 2-5/8 | 1/4 | 2.000 ±.003 | 2.623 ±.001 | NBR | CARBON STEEL | NOSPRING | 10.41 |
| OS-2.00X2.62X0.31TB | 2 | 2-5/8 | 5/16 | 2.000 ±.003 | 2.623 ±.001 | NBR | CARBON STEEL | CARBON STEEL | 10.46 |
| OS-2.00X2.68X0.37SB | 2 | 2-11/16 | 3/8 | 2.000 ±.003 | 2.686 ±.001 | NBR | CARBON STEEL | CARBON STEEL | 10.24 |
| OS-2.00X2.71X0.37TB | 2 | 2-23/32 | 3/8 | 2.000 ±.003 | 2.716 ±.001 | NBR | CARBON STEEL | CARBON STEEL | 23.73 |
| OS-2.00X2.75X0.18VM | 2 | 2-3/4 | 3/16 | 2.000 ±.003 | 2.750 ±.001 | NBR | CARBON STEEL | NOSPRING | 10.98 |
| OS-2.00X2.75X0.31TB | 2 | 2-3/4 | 5/16 | 2.000 ±.003 | 2.750 ±.001 | NBR | CARBON STEEL | CARBON STEEL | 11.41 |
| OS-2.00X2.75X0.31TC | 2 | 2-3/4 | 5/16 | 2.000 ±.003 | 2.750 ±.001 | NBR | CARBON STEEL | CARBON STEEL | 11.36 |
| OS-2.00X2.87X0.31TA | 2 | 2-7/8 | 5/16 | 2.000 ±.003 | 2.875 ±.001 | NBR | CARBON STEEL | CARBON STEEL | 14.00 |
| OS-2.00X3.00X0.25SB | 2 | 3 | 1/4 | 2.000 ±.003 | 3.000 ±.001 | NBR | CARBON STEEL | CARBON STEEL | 12.14 |
| OS-2.00X3.00X0.31TB | 2 | 3 | 5/16 | 2.000 ±.003 | 3.000 ±.001 | NBR | CARBON STEEL | CARBON STEEL | 13.59 |
| OS-2.00X3.00X0.37SA | 2 | 3 | 3/8 | 2.000 ±.003 | 3.000 ±.001 | NBR | CARBON STEEL | CARBON STEEL | 15.45 |
| OS-2.12X2.75X0.50TB | 2-1/8 | 2-3/4 | 1/2 | 2.125 ±.003 | 2.750 ±.001 | NBR | CARBON STEEL | CARBON STEEL | 11.57 |
| OS-2.12X2.87X0.25VB | 2-1/8 | 2-7/8 | 1/4 | 2.125 ±.003 | 2.875 ±.001 | NBR | CARBON STEEL | NOSPRING | 11.67 |
| OS-2.12X2.87X0.43TB | 2-1/8 | 2-7/8 | 7/16 | 2.125 ±.003 | 2.875 ±.001 | NBR | CARBON STEEL | CARBON STEEL | 13.22 |
| OS-2.12X3.06X0.50TA | 2-1/8 | 3-1/16 | 1/2 | 2.125 ±.003 | 3.061 ±.002 -.001 | NBR | CARBON STEEL | CARBON STEEL | 15.55 |
| OS-2.18X3.00X0.37TB | 2-3/16 | 3 | 3/8 | 2.188 ±.003 | 3.000 ±.001 | NBR | CARBON STEEL | CARBON STEEL | 13.33 |
| OS-2.25X2.87X0.25VH | 2-1/4 | 2-7/8 | 1/4 | 2.250 ±.003 | 2.875 ±.001 | NBR | CARBON STEEL | NOSPRING | 10.86 |
| OS-2.25X3.00X0.25TA | 2-1/4 | 3 | 1/4 | 2.250 ±.003 | 3.000 ±.001 | NBR | CARBON STEEL | CARBON STEEL | 21.06 |
| OS-2.25X3.00X0.37SB | 2-1/4 | 3 | 3/8 | 2.250 ±.003 | 3.000 ±.001 | NBR | CARBON STEEL | CARBON STEEL | 12.51 |
| OS-2.25X3.00X0.37TB | 2-1/4 | 3 | 3/8 | 2.250 ±.003 | 3.000 ±.001 | NBR | CARBON STEEL | CARBON STEEL | 13.33 |
| OS-2.25X3.00X0.37VTB | 2-1/4 | 3 | 3/8 | 2.250 ±.003 | 3.000 ±.001 | FKM | CARBON STEEL | STAINLESS STEEL | 22.55 |
| OS-2.25X3.25X0.25VH | 2-1/4 | 3-1/4 | 1/4 | 2.250 ±.003 | 3.251 ±.002 -.001 | NBR | CARBON STEEL | NOSPRING | 18.35 |
| OS-2.25X3.25X0.37TB | 2-1/4 | 3-1/4 | 3/8 | 2.250 ±.003 | 3.251 ±.002 -.001 | NBR | CARBON STEEL | CARBON STEEL | 14.56 |
| OS-2.37X3.00X0.25VH | 2-3/8 | 3 | 1/4 | 2.375 ±.003 | 3.000 ±.001 | NBR | CARBON STEEL | NOSPRING | 10.46 |
| OS-2.37X3.12X0.37SB | 2-3/8 | 3-1/8 | 3/8 | 2.375 ±.003 | 3.125 ±.002 -.001 | NBR | CARBON STEEL | CARBON STEEL | 13.73 |
| OS-2.37X3.12X0.43TA | 2-3/8 | 3-1/8 | 7/16 | 2.375 ±.003 | 3.125 ±.002 -.001 | NBR | CARBON STEEL | CARBON STEEL | 16.13 |
| OS-2.37X3.50X0.37SA | 2-3/8 | 3-1/2 | 3/8 | 2.375 ±.003 | 3.500 ±.002 -.001 | NBR | CARBON STEEL | CARBON STEEL | 17.28 |
| OS-2.50X3.00X0.25VB | 2-1/2 | 3 | 1/4 | 2.500 ±.003 | 3.000 ±.001 | NBR | CARBON STEEL | NOSPRING | 13.55 |
| OS-2.50X3.00X0.28WS | 2-1/2 | 3 | 9/32 | 2.500 ±.003 | 3.000 ±.001 | NBR | CARBON STEEL | NOSPRING | 37.14 |
| OS-2.50X3.06X0.25SM | 2-1/2 | 3-1/16 | 1/4 | 2.500 ±.003 | 3.062 ±.002 -.001 | NBR | CARBON STEEL | CARBON STEEL | 16.14 |
| OS-2.50X3.18X0.37TB | 2-1/2 | 3-3/16 | 3/8 | 2.500 ±.003 | 3.189 ±.002 -.001 | NBR | CARBON STEEL | CARBON STEEL | 21.16 |
| OS-2.50X3.25X0.37TB | 2-1/2 | 3-1/4 | 3/8 | 2.500 ±.003 | 3.251 ±.002 -.001 | NBR | CARBON STEEL | CARBON STEEL | 8.21 |
| OS-2.50X3.25X0.43TA | 2-1/2 | 3-1/4 | 7/16 | 2.500 ±.003 | 3.251 ±.002 -.001 | NBR | CARBON STEEL | CARBON STEEL | 16.33 |
| OS-2.50X3.50X0.25VH | 2-1/2 | 3-1/2 | 1/4 | 2.500 ±.003 | 3.500 ±.002 -.001 | NBR | CARBON STEEL | NOSPRING | 12.66 |
| OS-2.50X3.50X0.37TB | 2-1/2 | 3-1/2 | 3/8 | 2.500 ±.003 | 3.500 ±.002 -.001 | NBR | CARBON STEEL | CARBON STEEL | 15.63 |
| OS-2.50X3.50X0.43TA | 2-1/2 | 3-1/2 | 7/16 | 2.500 ±.003 | 3.500 ±.002 -.001 | NBR | CARBON STEEL | CARBON STEEL | 20.05 |
| OS-2.62X3.37X0.37TA | 2-5/8 | 3-3/8 | 3/8 | 2.625 ±.003 | 3.371 ±.002 -.001 | NBR | CARBON STEEL | CARBON STEEL | 23.31 |
| OS-2.62X3.50X0.37TB | 2-5/8 | 3-1/2 | 3/8 | 2.625 ±.003 | 3.500 ±.002 -.001 | NBR | CARBON STEEL | CARBON STEEL | 16.00 |

FORMERLY LISTED SEALS ARE AVAILABLE ONLINE AT WWW.HERCULESUS.COM
OR BY CONTACTING YOUR REGIONAL HERCULES SALES TEAM.



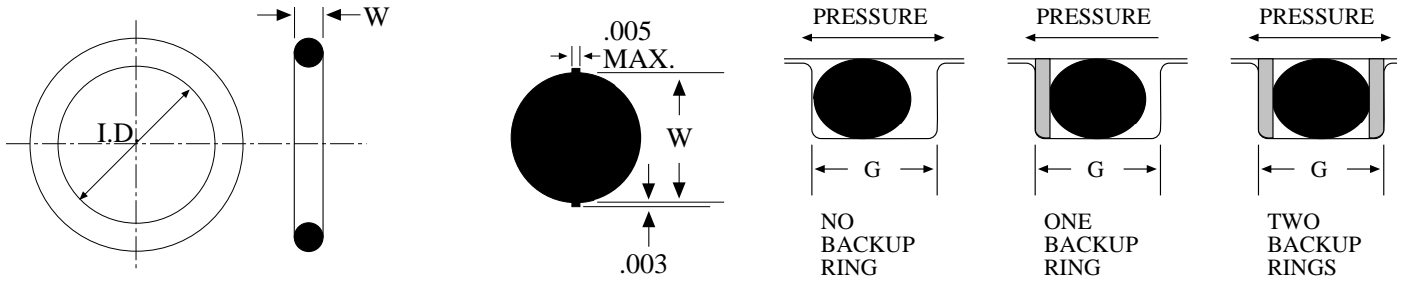
OIL SEALS

OIL SEALS

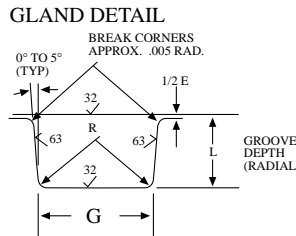
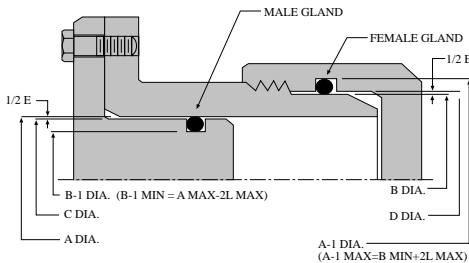
| Part Number | A Nom. ID | B Nom. OD | C Nom. Ht | E SHAFT DIAMETER | G HOUSING DIAMETER | MATERIAL | CAN MATERIAL | SPRING MATERIAL | List Price |
|-----------------------|--------------|--------------|--------------|------------------------|---|------------------|--------------|-----------------|---------------|
| OS-2.75X3.50X0.37TB | 2-3/4 | 3-1/2 | 3/8 | 2.750 ±.003 | 3.500 ^{+.002} _{-.001} | NBR | CARBON STEEL | CARBON STEEL | 16.33 |
| OS-2.81X3.87X0.43SA | 2-13/16 | 3-7/8 | 7/16 | 2.813 ±.003 | 3.876 ^{+.002} _{-.001} | NBR | CARBON STEEL | CARBON STEEL | 21.16 |
| OS-3.00X3.75X0.37SB | 3 | 3-3/4 | 3/8 | 3.000 ±.003 | 3.751 ^{+.002} _{-.001} | NBR | CARBON STEEL | CARBON STEEL | 14.32 |
| OS-3.00X3.75X0.37TB | 3 | 3-3/4 | 3/8 | 3.000 ±.003 | 3.751 ^{+.002} _{-.001} | NBR | CARBON STEEL | CARBON STEEL | 18.74 |
| OS-3.00X3.75X0.43TA | 3 | 3-3/4 | 7/16 | 3.000 ±.003 | 3.751 ^{+.002} _{-.001} | NBR | CARBON STEEL | CARBON STEEL | 19.83 |
| OS-3.00X4.00X0.37TB | 3 | 4 | 3/8 | 3.000 ±.003 | 4.003 ^{+.002} _{-.001} | NBR | CARBON STEEL | CARBON STEEL | 16.14 |
| OS-3.00X4.00X0.43TA | 3 | 4 | 7/16 | 3.000 ±.003 | 4.003 ^{+.002} _{-.001} | NBR | CARBON STEEL | CARBON STEEL | 20.97 |
| OS-3.25X4.00X0.37PTB | 3-1/4 | 4 | 3/8 | 3.250 ±.003 | 4.003 ^{+.002} _{-.001} | ACM/POLYACRYLATE | CARBON STEEL | STAINLESS STEEL | 21.31 |
| OS-3.25X4.25X0.37TB | 3-1/4 | 4-1/4 | 3/8 | 3.250 ±.003 | 4.249 ^{+.002} _{-.001} | NBR | CARBON STEEL | CARBON STEEL | 18.56 |
| OS-3.25X4.25X0.43TA | 3-1/4 | 4-1/4 | 7/16 | 3.250 ±.003 | 4.249 ^{+.002} _{-.001} | NBR | CARBON STEEL | CARBON STEEL | 23.67 |
| OS-3.25X4.50X0.43TA | 3-1/4 | 4-1/2 | 7/16 | 3.250 ±.003 | 4.501 ^{+.002} _{-.001} | NBR | CARBON STEEL | CARBON STEEL | 31.91 |
| OS-3.37X4.12X0.37TB | 3-3/8 | 4-1/8 | 3/8 | 3.375 ±.003 | 4.125 ^{+.002} _{-.001} | NBR | CARBON STEEL | CARBON STEEL | 21.96 |
| OS-3.37X4.37X0.43TA | 3-3/8 | 4-3/8 | 7/16 | 3.375 ±.003 | 4.376 ^{+.002} _{-.001} | NBR | CARBON STEEL | CARBON STEEL | 26.41 |
| OS-3.50X4.37X0.37TB | 3-1/2 | 4-3/8 | 3/8 | 3.500 ±.003 | 4.376 ^{+.002} _{-.001} | NBR | CARBON STEEL | CARBON STEEL | 26.29 |
| OS-3.50X4.50X0.43SA | 3-1/2 | 4-1/2 | 7/16 | 3.500 ±.003 | 4.501 ^{+.002} _{-.001} | NBR | CARBON STEEL | CARBON STEEL | 23.81 |
| OS-3.50X4.75X0.25VH | 3-1/2 | 4-3/4 | 1/4 | 3.500 ±.003 | 4.751 ^{+.002} _{-.001} | NBR | CARBON STEEL | NOSPRING | 33.48 |
| OS-3.75X4.75X0.43STA | 3-3/4 | 4-3/4 | 7/16 | 3.750 ±.003 | 4.751 ^{+.002} _{-.001} | SILICONE/VMQ | CARBON STEEL | CARBON STEEL | 37.01 |
| OS-3.87X5.25X0.43TA | 3-7/8 | 5-1/4 | 7/16 | 3.875 ±.003 | 5.251 ^{+.002} _{-.001} | NBR | CARBON STEEL | CARBON STEEL | 33.73 |
| OS-4.00X5.00X0.43TA | 4 | 5 | 7/16 | 4.000 ±.003 | 4.999 ^{+.002} _{-.001} | NBR | CARBON STEEL | CARBON STEEL | 31.44 |
| OS-4.00X5.37X0.50TA | 4 | 5-3/8 | 1/2 | 4.000 ±.003 | 5.376 ^{+.002} _{-.001} | NBR | CARBON STEEL | CARBON STEEL | 34.22 |
| OS-5.00X6.00X0.50TA* | 5 | 6 | 1/2 | 5.000 ±.004 | 6.001 ±.002 | NBR | CARBON STEEL | CARBON STEEL | 3.19 |
| OS-5.00X6.25X0.50SA | 5 | 6-1/4 | 1/2 | 5.000 ±.004 | 6.250 ±.002 | NBR | CARBON STEEL | CARBON STEEL | 53.11 |
| OS-5.50X6.50X0.50SA | 5-1/2 | 6-1/2 | 1/2 | 5.500 ±.004 | 6.500 ±.002 | NBR | CARBON STEEL | CARBON STEEL | 68.08 |
| OS-5.62X6.62X0.50SA-H | 5-5/8 | 6-5/8 | 1/2 | 5.625 ±.004 | 6.625 ±.002 | NBR | CARBON STEEL | CARBON STEEL | 56.45 |
| OS-5.625X7.186X0.906 | 5-5/8 | 7-3/16 | 29/32 | 5.625 ±.003 | 7.186 ±.001 | NBR | | | 52.40 |
| OS-7.92X9.18X0.68Y | 7-59/64 | 9-3/16 | 11/16 | 7.921 ±.003 | 9.187 ±.001 | NBR | | | 277.47 |

* Closeout item - Price Shown as Net. This item will no longer be available once stock has been depleted.

O-RING GLAND DIMENSIONS



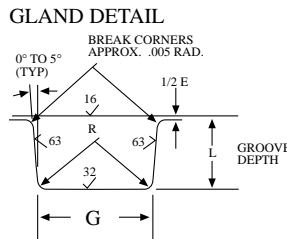
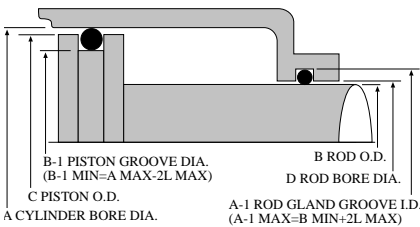
O-Ring Gland Design For Static Seals



- A - Bore Dia. (male gland)
- A-1 - Groove Dia. (female gland)
- B - Tube OD (female gland)
- B-1 - Groove Dia. (male gland)
- C - Plug Dia. (male gland)
- D - Throat Dia. (female gland)
- E - Diametrical Clearance

| W O-RING CROSS SECTION | L GROOVE DEPTH | | SQUEEZE | | | | E DIAMETRICAL CLEARANCE MAX. | G GROOVE WIDTH ± .005 | | | R GROOVE RADIUS | ECCEN- TRICITY MAX. |
|---------------------------------|-------------------|-----------|-----------|-------|-----------|-------|---------------------------------------|--------------------------|-----------------------|------------------------|-----------------------|---------------------------|
| | | | RADIAL | | AXIAL | | | NO BACKUP RING | ONE BACKUP RING | TWO BACKUP RINGS | | |
| | RADIAL | AXIAL | INCHES | % | INCHES | % | | | | | | |
| .070 | .050-.052 | .050-.054 | .015-.023 | 22-23 | .013-.023 | 19-32 | .004 | .095 | .140 | .207 | .005-.015 | .002 |
| .103 | .081-.083 | .074-.080 | .017-.025 | 17-24 | .020-.032 | 20-30 | .005 | .142 | .173 | .240 | .005-.015 | .002 |
| .139 | .111-.113 | .101-.107 | .022-.032 | 16-23 | .028-.042 | 20-30 | .006 | .189 | .210 | .277 | .010-.025 | .003 |
| .210 | .170-.173 | .152-.162 | .032-.045 | 15-21 | .043-.063 | 21-30 | .006 | .283 | .313 | .413 | .020-.035 | .004 |
| .275 | .226-.229 | .201-.211 | .040-.055 | 15-20 | .058-.080 | 21-29 | .007 | .377 | .410 | .540 | .020-.035 | .00 |

O-Ring Gland Design For Reciprocating Seals



- A - Bore Dia. of Cylinder
- B - OD of Rod
- C - OD of Piston
- D - Bore Dia. for Rod

| W O-RING CROSS SECTION | L GROOVE DEPTH | SQUEEZE | | E DIAMETRICAL CLEARANCE MAX. | G GROOVE WIDTH ± .005 | | | R GROOVE RADIUS | ECCEN- TRICITY MAX. |
|---------------------------------|----------------------|-----------|-------|---------------------------------------|--------------------------|--------------------|---------------------|-----------------------|---------------------------|
| | | INCHES | % | | NO BACKUP RING | ONE BACKUP RING | TWO BACKUP RINGS | | |
| .070 | .055-.057 | .010-.018 | 15-25 | .004 | .095 | .140 | .207 | .005-.015 | .002 |
| .103 | .088-.090 | .010-.018 | 10-17 | .005 | .142 | .173 | .240 | .005-.015 | .002 |
| .139 | .121-.123 | .012-.022 | 9-16 | .006 | .189 | .210 | .277 | .010-.025 | .003 |
| .210 | .185-.188 | .017-.030 | 8-14 | .006 | .283 | .313 | .413 | .020-.035 | .004 |
| .275 | .237-.240 | .029-.044 | 11-16 | .007 | .377 | .410 | .540 | .020-.035 | .005 |



O-RING SIZE CHART AND INSTALLATION DATA

O-RINGS

| AS-568A SERIES | NOMINAL SIZE | | | ACTUAL DIMENSIONS | | AS-568A SERIES | NOMINAL SIZE | | | ACTUAL DIMENSIONS | |
|----------------|--------------|--------|-------|-------------------|-----------|----------------|--------------|---------|-------|-------------------|-----------|
| | ID | OD | Width | ID Tol. | W. Tol. | | ID | OD | Width | ID Tol. | W. Tol. |
| -001 | 1/32 | 3/32 | 1/32 | .029±.004 | .040±.003 | -047 | 4 1/2 | 4 5/8 | 1/16 | 4.489±.030 | .070±.003 |
| -001 1/2 | 1/16 | 1/8 | 1/32 | .070±.004 | .040±.003 | -048 | 4 3/4 | 4 7/8 | 1/16 | 4.739±.030 | .070±.003 |
| -002 | 3/64 | 9/64 | 3/64 | .042±.004 | .050±.003 | -049 | 5 | 5 1/8 | 1/16 | 4.989±.037 | .070±.003 |
| -003 | 1/16 | 3/16 | 1/16 | .056±.004 | .060±.003 | -050 | 5 1/4 | 5 3/8 | 1/16 | 5.239±.037 | .070±.003 |
| -004 | 5/64 | 13/64 | 1/16 | .070±.005 | .070±.003 | -102 | 1/16 | 1/4 | 3/32 | .049±.005 | .103±.003 |
| -005 | 3/32 | 7/32 | 1/16 | .101±.005 | .070±.003 | -103 | 3/32 | 9/32 | 3/32 | .081±.005 | .103±.003 |
| -006 | 1/8 | 1/4 | 1/16 | .114±.005 | .070±.003 | -104 | 1/8 | 5/16 | 3/32 | .112±.005 | .103±.003 |
| -007 | 5/32 | 9/32 | 1/16 | .145±.005 | .070±.003 | -105 | 5/32 | 11/32 | 3/32 | .143±.005 | .103±.003 |
| -008 | 3/16 | 5/16 | 1/16 | .176±.005 | .070±.003 | -106 | 3/16 | 3/8 | 3/32 | .174±.005 | .103±.003 |
| -009 | 7/32 | 11/32 | 1/16 | .208±.005 | .070±.003 | -107 | 7/32 | 13/32 | 3/32 | .206±.005 | .103±.003 |
| -010 | 1/4 | 3/8 | 1/16 | .239±.005 | .070±.003 | -108 | 1/4 | 7/16 | 3/32 | .237±.005 | .103±.003 |
| -011 | 5/16 | 7/16 | 1/16 | .301±.005 | .070±.003 | -109 | 5/16 | 1/2 | 3/32 | .299±.005 | .103±.003 |
| -012 | 3/8 | 1/2 | 1/16 | .364±.005 | .070±.003 | -110 | 3/8 | 9/16 | 3/32 | .362±.005 | .103±.003 |
| -013 | 7/16 | 9/16 | 1/16 | .426±.005 | .070±.003 | -111 | 7/16 | 5/8 | 3/32 | .424±.005 | .103±.003 |
| -014 | 1/2 | 5/8 | 1/16 | .489±.005 | .070±.003 | -112 | 1/2 | 11/16 | 3/32 | .487±.005 | .103±.003 |
| -015 | 9/16 | 11/16 | 1/16 | .551±.007 | .070±.003 | -113 | 9/16 | 3/4 | 3/32 | .549±.005 | .103±.003 |
| -016 | 5/8 | 3/4 | 1/16 | .614±.009 | .070±.003 | -114 | 5/8 | 13/16 | 3/32 | .612±.009 | .103±.003 |
| -017 | 11/16 | 13/16 | 1/16 | .676±.009 | .070±.003 | -115 | 11/16 | 7/8 | 3/32 | .674±.009 | .103±.003 |
| -018 | 3/4 | 7/8 | 1/16 | .739±.009 | .070±.003 | -116 | 3/4 | 15/16 | 3/32 | .737±.009 | .103±.003 |
| -019 | 13/16 | 15/16 | 1/16 | .801±.009 | .070±.003 | -117 | 13/16 | 1 | 3/32 | .799±.010 | .103±.003 |
| -020 | 7/8 | 1 | 1/16 | .864±.009 | .070±.003 | -118 | 7/8 | 1 1/16 | 3/32 | .862±.010 | .103±.003 |
| -021 | 15/16 | 1 1/16 | 1/16 | .926±.009 | .070±.003 | -119 | 15/16 | 1 1/8 | 3/32 | .924±.010 | .103±.003 |
| -022 | 1 | 1 1/8 | 1/16 | .989±.010 | .070±.003 | -120 | 1 | 1 3/16 | 3/32 | .987±.010 | .103±.003 |
| -023 | 1 1/16 | 1 3/16 | 1/16 | 1.051±.010 | .070±.003 | -121 | 1 1/16 | 1 1/4 | 3/32 | 1.049±.010 | .103±.003 |
| -024 | 1 1/8 | 1 1/4 | 1/16 | 1.114±.010 | .070±.003 | -122 | 1 1/8 | 1 5/16 | 3/32 | 1.112±.010 | .103±.003 |
| -025 | 1 3/16 | 1 5/16 | 1/16 | 1.176±.011 | .070±.003 | -123 | 1 3/16 | 1 3/8 | 3/32 | 1.174±.012 | .103±.003 |
| -026 | 1 1/4 | 1 3/8 | 1/16 | 1.239±.011 | .070±.003 | -124 | 1 1/4 | 1 7/16 | 3/32 | 1.237±.012 | .103±.003 |
| -027 | 1 5/16 | 1 7/16 | 1/16 | 1.301±.011 | .070±.003 | -125 | 1 5/16 | 1 1/2 | 3/32 | 1.299±.012 | .103±.003 |
| -028 | 1 3/8 | 1 1/2 | 1/16 | 1.364±.013 | .070±.003 | -126 | 1 3/8 | 1 9/16 | 3/32 | 1.362±.012 | .103±.003 |
| -029 | 1 1/2 | 1 5/8 | 1/16 | 1.489±.013 | .070±.003 | -127 | 1 7/16 | 1 5/8 | 3/32 | 1.424±.012 | .103±.003 |
| -030 | 1 5/8 | 1 3/4 | 1/16 | 1.614±.013 | .070±.003 | -128 | 1 1/2 | 1 11/16 | 3/32 | 1.487±.012 | .103±.003 |
| -031 | 1 3/4 | 1 7/8 | 1/16 | 1.739±.015 | .070±.003 | -129 | 1 9/16 | 1 3/4 | 3/32 | 1.549±.015 | .103±.003 |
| -032 | 1 7/8 | 2 | 1/16 | 1.864±.015 | .070±.003 | -130 | 1 5/8 | 1 13/16 | 3/32 | 1.612±.015 | .103±.003 |
| -033 | 2 | 2 1/8 | 1/16 | 1.989±.018 | .070±.003 | -131 | 1 11/16 | 1 7/8 | 3/32 | 1.674±.015 | .103±.003 |
| -034 | 2 1/8 | 2 1/4 | 1/16 | 2.114±.018 | .070±.003 | -132 | 1 3/4 | 1 15/16 | 3/32 | 1.737±.015 | .103±.003 |
| -035 | 2 1/4 | 2 3/8 | 1/16 | 2.239±.018 | .070±.003 | -133 | 1 13/16 | 2 | 3/32 | 1.799±.015 | .103±.003 |
| -036 | 2 3/8 | 2 1/2 | 1/16 | 2.364±.018 | .070±.003 | -134 | 1 7/8 | 2 1/16 | 3/32 | 1.862±.015 | .103±.003 |
| -037 | 2 1/2 | 2 5/8 | 1/16 | 2.489±.018 | .070±.003 | -135 | 1 15/16 | 2 1/8 | 3/32 | 1.925±.017 | .103±.003 |
| -038 | 2 5/8 | 2 3/4 | 1/16 | 2.614±.020 | .070±.003 | -136 | 2 | 2 3/16 | 3/32 | 1.987±.017 | .103±.003 |
| -039 | 2 3/4 | 2 7/8 | 1/16 | 2.739±.020 | .070±.003 | -137 | 2 1/16 | 2 1/4 | 3/32 | 2.050±.017 | .103±.003 |
| -040 | 2 7/8 | 3 | 1/16 | 2.864±.020 | .070±.003 | -138 | 2 1/8 | 2 5/16 | 3/32 | 2.112±.017 | .103±.003 |
| -041 | 3 | 3 1/8 | 1/16 | 2.989±.024 | .070±.003 | -139 | 2 3/16 | 2 3/8 | 3/32 | 2.175±.017 | .103±.003 |
| -042 | 3 1/4 | 3 3/8 | 1/16 | 3.239±.024 | .070±.003 | -140 | 2 1/4 | 2 7/16 | 3/32 | 2.237±.017 | .103±.003 |
| -043 | 3 1/2 | 3 5/8 | 1/16 | 3.489±.024 | .070±.003 | -141 | 2 5/16 | 2 1/2 | 3/32 | 2.300±.020 | .103±.003 |
| -044 | 3 3/4 | 3 7/8 | 1/16 | 3.739±.027 | .070±.003 | -142 | 2 3/8 | 2 9/16 | 3/32 | 2.362±.020 | .103±.003 |
| -045 | 4 | 4 1/8 | 1/16 | 3.989±.027 | .070±.003 | -143 | 2 7/16 | 2 5/8 | 3/32 | 2.425±.020 | .103±.003 |
| -046 | 4 1/4 | 4 3/8 | 1/16 | 4.239±.030 | .070±.003 | -144 | 2 1/2 | 2 11/16 | 3/32 | 2.487±.020 | .103±.003 |

NORTH AMERICA
PHONE 1-800-777-5617
FAX 1-800-759-6391

SALES OFFICE HOURS
8 A.M. TO 7:30 P.M. EASTERN TIME
www.HerculesUS.com

WORLDWIDE
PHONE 1-727-796-1300
FAX 1-727-797-8849

O-RING SIZE CHART AND INSTALLATION DATA

| AS-568A SERIES | NOMINAL SIZE | | | ACTUAL DIMENSIONS | |
|----------------|--------------|---------|-------|-------------------|-----------|
| | ID | OD | Width | ID Tol. | W. Tol. |
| -145 | 2 9/16 | 2 3/4 | 3/32 | 2.550±.020 | .103±.003 |
| -146 | 2 5/8 | 2 13/16 | 3/32 | 2.612±.020 | .103±.003 |
| -147 | 2 11/16 | 2 7/8 | 3/32 | 2.675±.022 | .103±.003 |
| -148 | 2 3/4 | 2 15/16 | 3/32 | 2.737±.022 | .103±.003 |
| -149 | 2 13/16 | 3 | 3/32 | 2.800±.022 | .103±.003 |
| -150 | 2 7/8 | 3 1/16 | 3/32 | 2.862±.022 | .103±.003 |
| -151 | 3 | 3 3/16 | 3/32 | 2.987±.024 | .103±.003 |
| -152 | 3 1/4 | 3 7/16 | 3/32 | 3.237±.024 | .103±.003 |
| -153 | 3 1/2 | 3 11/16 | 3/32 | 3.487±.024 | .103±.003 |
| -154 | 3 3/4 | 3 15/16 | 3/32 | 3.737±.028 | .103±.003 |
| -155 | 4 | 4 3/16 | 3/32 | 3.987±.028 | .103±.003 |
| -156 | 4 1/4 | 4 7/16 | 3/32 | 4.237±.030 | .103±.003 |
| -157 | 4 1/2 | 4 11/16 | 3/32 | 4.487±.030 | .103±.003 |
| -158 | 4 3/4 | 4 15/16 | 3/32 | 4.737±.030 | .103±.003 |
| -159 | 5 | 5 3/16 | 3/32 | 4.987±.035 | .103±.003 |
| -160 | 5 1/4 | 5 7/16 | 3/32 | 5.237±.035 | .103±.003 |
| -161 | 5 1/2 | 5 11/16 | 3/32 | 5.487±.035 | .103±.003 |
| -162 | 5 3/4 | 5 15/16 | 3/32 | 5.737±.035 | .103±.003 |
| -163 | 6 | 6 3/16 | 3/32 | 5.987±.035 | .103±.003 |
| -164 | 6 1/4 | 6 7/16 | 3/32 | 6.237±.040 | .103±.003 |
| -165 | 6 1/2 | 6 11/16 | 3/32 | 6.487±.040 | .103±.003 |
| -166 | 6 3/4 | 6 15/16 | 3/32 | 6.737±.040 | .103±.003 |
| -167 | 7 | 7 3/16 | 3/32 | 6.987±.040 | .103±.003 |
| -168 | 7 1/4 | 7 7/16 | 3/32 | 7.237±.045 | .103±.003 |
| -169 | 7 1/2 | 7 11/16 | 3/32 | 7.487±.045 | .103±.003 |
| -170 | 7 3/4 | 7 15/16 | 3/32 | 7.737±.045 | .103±.003 |
| -171 | 8 | 8 3/16 | 3/32 | 7.987±.045 | .103±.003 |
| -172 | 8 1/4 | 8 7/16 | 3/32 | 8.237±.050 | .103±.003 |
| -173 | 8 1/2 | 8 11/16 | 3/32 | 8.487±.050 | .103±.003 |
| -174 | 8 3/4 | 8 15/16 | 3/32 | 8.737±.050 | .103±.003 |
| -175 | 9 | 9 3/16 | 3/32 | 8.987±.050 | .103±.003 |
| -176 | 9 1/4 | 9 7/16 | 3/32 | 9.237±.055 | .103±.003 |
| -177 | 9 1/2 | 9 11/16 | 3/32 | 9.487±.055 | .103±.003 |
| -178 | 9 3/4 | 9 15/16 | 3/32 | 9.737±.055 | .103±.003 |
| -201 | 3/16 | 7/16 | 1/8 | .171±.005 | .139±.004 |
| -202 | 1/4 | 1/2 | 1/8 | .234±.005 | .139±.004 |
| -203 | 5/16 | 9/16 | 1/8 | .296±.005 | .139±.004 |
| -204 | 3/8 | 5/8 | 1/8 | .359±.005 | .139±.004 |
| -205 | 7/16 | 11/16 | 1/8 | .421±.005 | .139±.004 |
| -206 | 1/2 | 3/4 | 1/8 | .484±.005 | .139±.004 |
| -207 | 9/16 | 13/16 | 1/8 | .546±.007 | .139±.004 |
| -208 | 5/8 | 7/8 | 1/8 | .609±.009 | .139±.004 |
| -209 | 11/16 | 15/16 | 1/8 | .671±.009 | .139±.004 |
| -210 | 3/4 | 1 | 1/8 | .734±.010 | .139±.004 |
| -211 | 13/16 | 1 1/16 | 1/8 | .796±.010 | .139±.004 |
| -212 | 7/8 | 1 1/8 | 1/8 | .859±.010 | .139±.004 |
| -213 | 15/16 | 1 3/16 | 1/8 | .921±.010 | .139±.004 |

| AS-568A SERIES | NOMINAL SIZE | | | ACTUAL DIMENSIONS | |
|----------------|--------------|---------|-------|-------------------|-----------|
| | ID | OD | Width | ID Tol. | W. Tol. |
| -214 | 1 | 1 1/4 | 1/8 | .984±.010 | .139±.004 |
| -215 | 1 1/16 | 1 5/16 | 1/8 | 1.046±.010 | .139±.004 |
| -216 | 1 1/8 | 1 3/8 | 1/8 | 1.109±.012 | .139±.004 |
| -217 | 1 3/16 | 1 7/16 | 1/8 | 1.171±.012 | .139±.004 |
| -218 | 1 1/4 | 1 1/2 | 1/8 | 1.234±.012 | .139±.004 |
| -219 | 1 5/16 | 1 9/16 | 1/8 | 1.296±.012 | .139±.004 |
| -220 | 1 3/8 | 1 5/8 | 1/8 | 1.359±.012 | .139±.004 |
| -221 | 1 7/16 | 1 11/16 | 1/8 | 1.421±.012 | .139±.004 |
| -222 | 1 1/2 | 1 3/4 | 1/8 | 1.484±.015 | .139±.004 |
| -223 | 1 5/8 | 1 7/8 | 1/8 | 1.609±.015 | .139±.004 |
| -224 | 1 3/4 | 2 | 1/8 | 1.734±.015 | .139±.004 |
| -225 | 1 7/8 | 2 1/8 | 1/8 | 1.859±.018 | .139±.004 |
| -226 | 2 | 2 1/4 | 1/8 | 1.984±.018 | .139±.004 |
| -227 | 2 1/8 | 2 3/8 | 1/8 | 2.109±.018 | .139±.004 |
| -228 | 2 1/4 | 2 1/2 | 1/8 | 2.234±.020 | .139±.004 |
| -229 | 2 3/8 | 2 5/8 | 1/8 | 2.359±.020 | .139±.004 |
| -230 | 2 1/2 | 2 3/4 | 1/8 | 2.484±.020 | .139±.004 |
| -231 | 2 5/8 | 2 7/8 | 1/8 | 2.609±.020 | .139±.004 |
| -232 | 2 3/4 | 3 | 1/8 | 2.734±.024 | .139±.004 |
| -233 | 2 7/8 | 3 1/8 | 1/8 | 2.859±.024 | .139±.004 |
| -234 | 3 | 3 1/4 | 1/8 | 2.984±.024 | .139±.004 |
| -235 | 3 1/8 | 3 3/8 | 1/8 | 3.109±.024 | .139±.004 |
| -236 | 3 1/4 | 3 1/2 | 1/8 | 3.234±.024 | .139±.004 |
| -237 | 3 3/8 | 3 5/8 | 1/8 | 3.359±.024 | .139±.004 |
| -238 | 3 1/2 | 3 3/4 | 1/8 | 3.484±.024 | .139±.004 |
| -239 | 3 5/8 | 3 7/8 | 1/8 | 3.609±.028 | .139±.004 |
| -240 | 3 3/4 | 4 | 1/8 | 3.734±.028 | .139±.004 |
| -241 | 3 7/8 | 4 1/8 | 1/8 | 3.859±.028 | .139±.004 |
| -242 | 4 | 4 1/4 | 1/8 | 3.984±.028 | .139±.004 |
| -243 | 4 1/8 | 4 3/8 | 1/8 | 4.109±.028 | .139±.004 |
| -244 | 4 1/4 | 4 1/2 | 1/8 | 4.234±.030 | .139±.004 |
| -245 | 4 3/8 | 4 5/8 | 1/8 | 4.359±.030 | .139±.004 |
| -246 | 4 1/2 | 4 3/4 | 1/8 | 4.484±.030 | .139±.004 |
| -247 | 4 5/8 | 4 7/8 | 1/8 | 4.609±.030 | .139±.004 |
| -248 | 4 3/4 | 5 | 1/8 | 4.734±.030 | .139±.004 |
| -249 | 4 7/8 | 5 1/8 | 1/8 | 4.859±.035 | .139±.004 |
| -250 | 5 | 5 1/4 | 1/8 | 4.984±.035 | .139±.004 |
| -251 | 5 1/8 | 5 3/8 | 1/8 | 5.109±.035 | .139±.004 |
| -252 | 5 1/4 | 5 1/2 | 1/8 | 5.234±.035 | .139±.004 |
| -253 | 5 3/8 | 5 5/8 | 1/8 | 5.359±.035 | .139±.004 |
| -254 | 5 1/2 | 5 3/4 | 1/8 | 5.484±.035 | .139±.004 |
| -255 | 5 5/8 | 5 7/8 | 1/8 | 5.609±.035 | .139±.004 |
| -256 | 5 3/4 | 6 | 1/8 | 5.734±.035 | .139±.004 |
| -257 | 5 7/8 | 6 1/8 | 1/8 | 5.859±.035 | .139±.004 |
| -258 | 6 | 6 1/4 | 1/8 | 5.984±.035 | .139±.004 |
| -259 | 6 1/4 | 6 1/2 | 1/8 | 6.234±.040 | .139±.004 |
| -260 | 6 1/2 | 6 3/4 | 1/8 | 6.484±.040 | .139±.004 |

O-RINGS

FORMERLY LISTED SEALS ARE AVAILABLE ONLINE AT WWW.HERCULESUS.COM
OR BY CONTACTING YOUR REGIONAL HERCULES SALES TEAM.



O-RING SIZE CHART AND INSTALLATION DATA

O-RINGS

| AS-568A SERIES | NOMINAL SIZE | | | ACTUAL DIMENSIONS | | AS-568A SERIES | NOMINAL SIZE | | | ACTUAL DIMENSIONS | |
|----------------|--------------|---------|-------|-------------------|-----------|----------------|--------------|--------|-------|-------------------|-----------|
| | ID | OD | Width | ID Tol. | W. Tol. | | ID | OD | Width | ID Tol. | W. Tol. |
| -261 | 6 3/4 | 7 | 1/8 | 6.734±.040 | .139±.004 | -332 | 2 3/8 | 2 3/4 | 3/16 | 2.350±.018 | .210±.005 |
| -262 | 7 | 7 1/4 | 1/8 | 6.984±.040 | .139±.004 | -333 | 2 1/2 | 2 7/8 | 3/16 | 2.475±.020 | .210±.005 |
| -263 | 7 1/4 | 7 1/2 | 1/8 | 7.234±.045 | .139±.004 | -334 | 2 5/8 | 3 | 3/16 | 2.600±.020 | .210±.005 |
| -264 | 7 1/2 | 7 3/4 | 1/8 | 7.484±.045 | .139±.004 | -335 | 2 3/4 | 3 1/8 | 3/16 | 2.725±.020 | .210±.005 |
| -265 | 7 3/4 | 8 | 1/8 | 7.734±.045 | .139±.004 | -336 | 2 7/8 | 3 1/4 | 3/16 | 2.850±.020 | .210±.005 |
| -266 | 8 | 8 1/4 | 1/8 | 7.984±.045 | .139±.004 | -337 | 3 | 3 3/8 | 3/16 | 2.975±.024 | .210±.005 |
| -267 | 8 1/4 | 8 1/2 | 1/8 | 8.234±.050 | .139±.004 | -338 | 3 1/8 | 3 1/2 | 3/16 | 3.100±.024 | .210±.005 |
| -268 | 8 1/2 | 8 3/4 | 1/8 | 8.484±.050 | .139±.004 | -339 | 3 1/4 | 3 5/8 | 3/16 | 3.225±.024 | .210±.005 |
| -269 | 8 3/4 | 9 | 1/8 | 8.734±.050 | .139±.004 | -340 | 3 3/8 | 3 3/4 | 3/16 | 3.350±.024 | .210±.005 |
| -270 | 9 | 9 1/4 | 1/8 | 8.984±.050 | .139±.004 | -341 | 3 1/2 | 3 7/8 | 3/16 | 3.475±.024 | .210±.005 |
| -271 | 9 1/4 | 9 1/2 | 1/8 | 9.234±.055 | .139±.004 | -342 | 3 5/8 | 4 | 3/16 | 3.600±.028 | .210±.005 |
| -272 | 9 1/2 | 9 3/4 | 1/8 | 9.484±.055 | .139±.004 | -343 | 3 3/4 | 4 1/8 | 3/16 | 3.725±.028 | .210±.005 |
| -273 | 9 3/4 | 10 | 1/8 | 9.734±.055 | .139±.004 | -344 | 3 7/8 | 4 1/4 | 3/16 | 3.850±.028 | .210±.005 |
| -274 | 10 | 10 1/4 | 1/8 | 9.984±.055 | .139±.004 | -345 | 4 | 4 3/8 | 3/16 | 3.975±.028 | .210±.005 |
| -275 | 10 1/2 | 10 3/4 | 1/8 | 10.484±.055 | .139±.004 | -346 | 4 1/8 | 4 1/2 | 3/16 | 4.100±.028 | .210±.005 |
| -276 | 11 | 11 1/4 | 1/8 | 10.984±.065 | .139±.004 | -347 | 4 1/4 | 4 5/8 | 3/16 | 4.225±.030 | .210±.005 |
| -277 | 11 1/2 | 11 3/4 | 1/8 | 11.484±.065 | .139±.004 | -348 | 4 3/8 | 4 3/4 | 3/16 | 4.350±.030 | .210±.005 |
| -278 | 12 | 12 1/4 | 1/8 | 11.984±.065 | .139±.004 | -349 | 4 1/2 | 4 7/8 | 3/16 | 4.475±.030 | .210±.005 |
| -279 | 13 | 13 1/4 | 1/8 | 12.984±.065 | .139±.004 | -350 | 4 5/8 | 5 | 3/16 | 4.600±.030 | .210±.005 |
| -280 | 14 | 14 1/4 | 1/8 | 13.984±.065 | .139±.004 | -351 | 4 3/4 | 5 1/8 | 3/16 | 4.725±.030 | .210±.005 |
| -281 | 15 | 15 1/4 | 1/8 | 14.984±.065 | .139±.004 | -352 | 4 7/8 | 5 1/4 | 3/16 | 4.850±.030 | .210±.005 |
| -282 | 16 | 16 1/4 | 1/8 | 15.955±.075 | .139±.004 | -353 | 5 | 5 3/8 | 3/16 | 4.975±.037 | .210±.005 |
| -283 | 17 | 17 1/4 | 1/8 | 16.955±.080 | .139±.004 | -354 | 5 1/8 | 5 1/2 | 3/16 | 5.100±.037 | .210±.005 |
| -284 | 18 | 18 1/4 | 1/8 | 17.955±.085 | .139±.004 | -355 | 5 1/4 | 5 5/8 | 3/16 | 5.225±.037 | .210±.005 |
| -309 | 7/16 | 13/16 | 3/16 | .412±.005 | .210±.005 | -356 | 5 3/8 | 5 3/4 | 3/16 | 5.350±.037 | .210±.005 |
| -310 | 1/2 | 7/8 | 3/16 | .475±.005 | .210±.005 | -357 | 5 1/2 | 5 7/8 | 3/16 | 5.475±.037 | .210±.005 |
| -311 | 9/16 | 15/16 | 3/16 | .537±.007 | .210±.005 | -358 | 5 5/8 | 6 | 3/16 | 5.600±.037 | .210±.005 |
| -312 | 5/8 | 1 | 3/16 | .600±.009 | .210±.005 | -359 | 5 3/4 | 6 1/8 | 3/16 | 5.725±.037 | .210±.005 |
| -313 | 11/16 | 1 1/16 | 3/16 | .662±.009 | .210±.005 | -360 | 5 7/8 | 6 1/4 | 3/16 | 5.850±.037 | .210±.005 |
| -314 | 3/4 | 1 1/8 | 3/16 | .725±.010 | .210±.005 | -361 | 6 | 6 3/8 | 3/16 | 5.975±.037 | .210±.005 |
| -315 | 13/16 | 1 3/16 | 3/16 | .787±.010 | .210±.005 | -362 | 6 1/4 | 6 5/8 | 3/16 | 6.225±.040 | .210±.005 |
| -316 | 7/8 | 1 1/4 | 3/16 | .850±.010 | .210±.005 | -363 | 6 1/2 | 6 7/8 | 3/16 | 6.475±.040 | .210±.005 |
| -317 | 15/16 | 1 5/16 | 3/16 | .912±.010 | .210±.005 | -364 | 6 3/4 | 7 1/8 | 3/16 | 6.725±.040 | .210±.005 |
| -318 | 1 | 1 3/8 | 3/16 | .975±.010 | .210±.005 | -365 | 7 | 7 3/8 | 3/16 | 6.975±.040 | .210±.005 |
| -319 | 1 1/16 | 1 7/16 | 3/16 | 1.037±.010 | .210±.005 | -366 | 7 1/4 | 7 5/8 | 3/16 | 7.225±.045 | .210±.005 |
| -320 | 1 1/8 | 1 1/2 | 3/16 | 1.100±.012 | .210±.005 | -367 | 7 1/2 | 7 7/8 | 3/16 | 7.475±.045 | .210±.005 |
| -321 | 1 3/16 | 1 9/16 | 3/16 | 1.162±.012 | .210±.005 | -368 | 7 3/4 | 8 1/8 | 3/16 | 7.725±.045 | .210±.005 |
| -322 | 1 1/4 | 1 5/8 | 3/16 | 1.225±.012 | .210±.005 | -369 | 8 | 8 3/8 | 3/16 | 7.975±.045 | .210±.005 |
| -323 | 1 5/16 | 1 11/16 | 3/16 | 1.287±.012 | .210±.005 | -370 | 8 1/4 | 8 5/8 | 3/16 | 8.225±.050 | .210±.005 |
| -324 | 1 3/8 | 1 3/4 | 3/16 | 1.350±.012 | .210±.005 | -371 | 8 1/2 | 8 7/8 | 3/16 | 8.475±.050 | .210±.005 |
| -325 | 1 1/2 | 1 7/8 | 3/16 | 1.475±.015 | .210±.005 | -372 | 8 3/4 | 9 1/8 | 3/16 | 8.725±.050 | .210±.005 |
| -326 | 1 5/8 | 2 | 3/16 | 1.600±.015 | .210±.005 | -373 | 9 | 9 3/8 | 3/16 | 8.975±.050 | .210±.005 |
| -327 | 1 3/4 | 2 1/8 | 3/16 | 1.725±.015 | .210±.005 | -374 | 9 1/4 | 9 5/8 | 3/16 | 9.225±.055 | .210±.005 |
| -328 | 1 7/8 | 2 1/4 | 3/16 | 1.850±.015 | .210±.005 | -375 | 9 1/2 | 9 7/8 | 3/16 | 9.475±.055 | .210±.005 |
| -329 | 2 | 2 3/8 | 3/16 | 1.975±.018 | .210±.005 | -376 | 9 3/4 | 10 1/8 | 3/16 | 9.725±.055 | .210±.005 |
| -330 | 2 1/8 | 2 1/2 | 3/16 | 2.100±.018 | .210±.005 | -377 | 10 | 10 3/8 | 3/16 | 9.975±.055 | .210±.005 |
| -331 | 2 1/4 | 2 5/8 | 3/16 | 2.225±.018 | .210±.005 | -378 | 10 1/2 | 10 7/8 | 3/16 | 10.475±.060 | .210±.005 |

NORTH AMERICA
PHONE 1-800-777-5617
FAX 1-800-759-6391

SALES OFFICE HOURS
8 A.M. TO 7:30 P.M. EASTERN TIME
www.HerculesUS.com

WORLDWIDE
PHONE 1-727-796-1300
FAX 1-727-797-8849

O-RING SIZE CHART AND INSTALLATION DATA

| AS-568A SERIES | NOMINAL SIZE | | | ACTUAL DIMENSIONS | |
|----------------|--------------|--------|-------|-------------------|-----------|
| | ID | OD | Width | ID Tol. | W. Tol. |
| -379 | 11 | 11 3/8 | 3/16 | 10.975±.060 | .210±.005 |
| -380 | 11 1/2 | 11 7/8 | 3/16 | 11.475±.065 | .210±.005 |
| -381 | 12 | 12 3/8 | 3/16 | 11.975±.065 | .210±.005 |
| -382 | 13 | 13 3/8 | 3/16 | 12.975±.065 | .210±.005 |
| -383 | 14 | 14 3/8 | 3/16 | 13.975±.070 | .210±.005 |
| -384 | 15 | 15 3/8 | 3/16 | 14.975±.070 | .210±.005 |
| -385 | 16 | 16 3/8 | 3/16 | 15.955±.075 | .210±.005 |
| -386 | 17 | 17 3/8 | 3/16 | 16.955±.080 | .210±.005 |
| -387 | 18 | 18 3/8 | 3/16 | 17.955±.085 | .210±.005 |
| -388 | 19 | 19 3/8 | 3/16 | 18.955±.090 | .210±.005 |
| -389 | 20 | 20 3/8 | 3/16 | 19.955±.095 | .210±.005 |
| -390 | 21 | 21 3/8 | 3/16 | 20.955±.095 | .210±.005 |
| -391 | 22 | 22 3/8 | 3/16 | 21.955±.100 | .210±.005 |
| -392 | 23 | 23 3/8 | 3/16 | 22.940±.105 | .210±.005 |
| -393 | 24 | 24 3/8 | 3/16 | 23.940±.110 | .210±.005 |
| -394 | 25 | 25 3/8 | 3/16 | 24.940±.115 | .210±.005 |
| -395 | 26 | 26 3/8 | 3/16 | 25.940±.120 | .210±.005 |
| -400* | 1 3/8 | 1 7/8 | 1/4 | 1.225±.012 | .275±.006 |
| -401* | 1 1/2 | 2 | 1/4 | 1.475±.014 | .275±.006 |
| -402* | 1 5/8 | 2 1/8 | 1/4 | 1.600±.015 | .275±.006 |
| -403* | 1 3/4 | 2 1/4 | 1/4 | 1.725±.016 | .275±.006 |
| -404* | 1 7/8 | 2 3/8 | 1/4 | 1.850±.016 | .275±.006 |
| -405* | 2 | 2 1/2 | 1/4 | 1.975±.017 | .275±.006 |
| -406* | 2 1/8 | 2 5/8 | 1/4 | 2.100±.018 | .275±.006 |
| -407* | 2 1/4 | 2 3/4 | 1/4 | 2.225±.018 | .275±.006 |
| -408* | 2 3/8 | 2 7/8 | 1/4 | 2.350±.020 | .275±.006 |
| -409* | 2 1/2 | 3 | 1/4 | 2.475±.020 | .275±.006 |
| -410* | 2 5/8 | 3 1/8 | 1/4 | 2.600±.020 | .275±.006 |
| -411* | 2 3/4 | 3 1/4 | 1/4 | 2.725±.022 | .275±.006 |
| -412* | 2 7/8 | 3 3/8 | 1/4 | 2.850±.022 | .275±.006 |
| -413* | 3 | 3 1/2 | 1/4 | 2.975±.024 | .275±.006 |
| -414* | 3 1/8 | 3 5/8 | 1/4 | 3.100±.024 | .275±.006 |
| -415* | 3 1/4 | 3 3/4 | 1/4 | 3.225±.024 | .275±.006 |
| -416* | 3 3/8 | 3 7/8 | 1/4 | 3.350±.026 | .275±.006 |
| -417* | 3 1/2 | 4 | 1/4 | 3.475±.026 | .275±.006 |
| -418* | 3 5/8 | 4 1/8 | 1/4 | 3.600±.026 | .275±.006 |
| -419* | 3 3/4 | 4 1/4 | 1/4 | 3.725±.028 | .275±.006 |
| -420* | 3 7/8 | 4 3/8 | 1/4 | 3.850±.028 | .275±.006 |
| -421* | 4 | 4 1/2 | 1/4 | 3.975±.028 | .275±.006 |
| -422* | 4 1/8 | 4 5/8 | 1/4 | 4.100±.030 | .275±.006 |
| -423* | 4 1/4 | 4 3/4 | 1/4 | 4.225±.030 | .275±.006 |
| -424* | 4 3/8 | 4 7/8 | 1/4 | 4.350±.030 | .275±.006 |
| -425 | 4 1/2 | 5 | 1/4 | 4.475±.033 | .275±.006 |
| -426 | 4 5/8 | 5 1/8 | 1/4 | 4.600±.033 | .275±.006 |
| -427 | 4 3/4 | 5 1/4 | 1/4 | 4.725±.033 | .275±.006 |
| -428 | 4 7/8 | 5 3/8 | 1/4 | 4.850±.033 | .275±.006 |
| -429 | 5 | 5 1/2 | 1/4 | 4.975±.037 | .275±.006 |

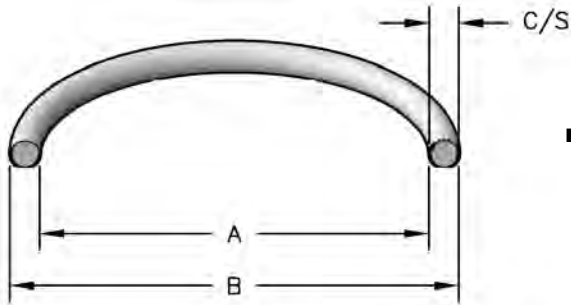
| AS-568A SERIES | NOMINAL SIZE | | | ACTUAL DIMENSIONS | |
|----------------|--------------|--------|-------|-------------------|-----------|
| | ID | OD | Width | ID Tol. | W. Tol. |
| -430 | 5 1/8 | 5 5/8 | 1/4 | 5.100±.037 | .275±.006 |
| -431 | 5 1/4 | 5 3/4 | 1/4 | 5.225±.037 | .275±.006 |
| -432 | 5 3/8 | 5 7/8 | 1/4 | 5.350±.037 | .275±.006 |
| -433 | 5 1/2 | 6 | 1/4 | 5.475±.037 | .275±.006 |
| -434 | 5 5/8 | 6 1/8 | 1/4 | 5.600±.037 | .275±.006 |
| -435 | 5 3/4 | 6 1/4 | 1/4 | 5.725±.037 | .275±.006 |
| -436 | 5 7/8 | 6 3/8 | 1/4 | 5.850±.037 | .275±.006 |
| -437 | 6 | 6 1/2 | 1/4 | 5.975±.037 | .275±.006 |
| -438 | 6 1/4 | 6 3/4 | 1/4 | 6.225±.040 | .275±.006 |
| -439 | 6 1/2 | 7 | 1/4 | 6.475±.040 | .275±.006 |
| -440 | 6 3/4 | 7 1/4 | 1/4 | 6.725±.040 | .275±.006 |
| -441 | 7 | 7 1/2 | 1/4 | 6.975±.040 | .275±.006 |
| -442 | 7 1/4 | 7 3/4 | 1/4 | 7.225±.045 | .275±.006 |
| -443 | 7 1/2 | 8 | 1/4 | 7.475±.045 | .275±.006 |
| -444 | 7 3/4 | 8 1/4 | 1/4 | 7.725±.045 | .275±.006 |
| -445 | 8 | 8 1/2 | 1/4 | 7.975±.045 | .275±.006 |
| -446 | 8 1/2 | 9 | 1/4 | 8.475±.055 | .275±.006 |
| -447 | 9 | 9 1/2 | 1/4 | 8.975±.055 | .275±.006 |
| -448 | 9 1/2 | 10 | 1/4 | 9.475±.055 | .275±.006 |
| -449 | 10 | 10 1/2 | 1/4 | 9.975±.055 | .275±.006 |
| -450 | 10 1/2 | 11 | 1/4 | 10.475±.060 | .275±.006 |
| -451 | 11 | 11 1/2 | 1/4 | 10.975±.060 | .275±.006 |
| -452 | 11 1/2 | 12 | 1/4 | 11.475±.060 | .275±.006 |
| -453 | 12 | 12 1/2 | 1/4 | 11.975±.060 | .275±.006 |
| -454 | 12 1/2 | 13 | 1/4 | 12.475±.060 | .275±.006 |
| -455 | 13 | 13 1/2 | 1/4 | 12.975±.060 | .275±.006 |
| -456 | 13 1/2 | 14 | 1/4 | 13.475±.070 | .275±.006 |
| -457 | 14 | 14 1/2 | 1/4 | 13.975±.070 | .275±.006 |
| -458 | 14 1/2 | 15 | 1/4 | 14.475±.070 | .275±.006 |
| -459 | 15 | 15 1/2 | 1/4 | 14.975±.070 | .275±.006 |
| -460 | 15 1/2 | 16 | 1/4 | 15.475±.070 | .275±.006 |
| -461 | 16 | 16 1/2 | 1/4 | 15.955±.075 | .275±.006 |
| -462 | 16 1/2 | 17 | 1/4 | 16.455±.075 | .275±.006 |
| -463 | 17 | 17 1/2 | 1/4 | 16.955±.080 | .275±.006 |
| -464 | 17 1/2 | 18 | 1/4 | 17.455±.085 | .275±.006 |
| -465 | 18 | 18 1/2 | 1/4 | 17.955±.085 | .275±.006 |
| -466 | 18 1/2 | 19 | 1/4 | 18.455±.085 | .275±.006 |
| -467 | 19 | 19 1/2 | 1/4 | 18.955±.090 | .275±.006 |
| -468 | 19 1/2 | 20 | 1/4 | 19.455±.090 | .275±.006 |
| -469 | 20 | 20 1/2 | 1/4 | 19.955±.090 | .275±.006 |
| -470 | 21 | 21 1/2 | 1/4 | 20.955±.090 | .275±.006 |
| -471 | 22 | 22 1/2 | 1/4 | 21.955±.100 | .275±.006 |
| -472 | 23 | 23 1/2 | 1/4 | 22.940±.105 | .275±.006 |
| -473 | 24 | 24 1/2 | 1/4 | 23.940±.110 | .275±.006 |
| -474 | 25 | 25 1/2 | 1/4 | 24.940±.115 | .275±.006 |
| -475 | 26 | 26 1/2 | 1/4 | 25.940±.120 | .275±.006 |

* NON-ANSI STANDARD

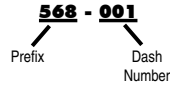
O-RINGS



STYLE 568, 70 DURO BUNA-N O-RINGS



HERCULES PART NUMBERS



SEAL INFORMATION

| | |
|-------------------|---|
| MATERIAL | BUNA-N RUBBER |
| TEMPERATURE RANGE | -40° TO +240° F |
| PRESSURE RANGE | VARIES ACCORDING TO DIAMETRAL CLEARANCE |

O-RINGS

| Part Number | A Nom. ID | B Nom. OD | C Nom. Ht | INSIDE DIAMETER | CROSS SECTION | Package Quantity | List Price |
|------------------|--------------|--------------|--------------|--------------------|------------------|---------------------|---------------|
| 1/32" C/S | | | | | | | |
| 568-001 | 1/32 | 3/32 | 1/32 | .029 ±.004 | .040 ±.003 | 50 | \$0.06 |
| 568-001-1/2 | 1/16 | 1/8 | 1/32 | .070 ±.004 | .040 ±.003 | 50 | 0.22 |
| 3/64" C/S | | | | | | | |
| 568-002 | 3/64 | 9/64 | 3/64 | .042 ±.004 | .050 ±.003 | 50 | \$0.06 |
| 1/16" C/S | | | | | | | |
| 568-003 | 1/16 | 3/16 | 1/16 | .056 ±.004 | .060 ±.003 | 50 | \$0.06 |
| 568-004 | 5/64 | 13/64 | 1/16 | .070 ±.005 | .070 ±.003 | 50 | 0.06 |
| 568-005 | 3/32 | 7/32 | 1/16 | .101 ±.005 | .070 ±.003 | 50 | 0.06 |
| 568-006 | 1/8 | 1/4 | 1/16 | .114 ±.005 | .070 ±.003 | 50 | 0.03 |
| 568-007 | 5/32 | 9/32 | 1/16 | .145 ±.005 | .070 ±.003 | 50 | 0.03 |
| 568-008 | 3/16 | 5/16 | 1/16 | .176 ±.005 | .070 ±.003 | 50 | 0.03 |
| 568-009 | 7/32 | 11/32 | 1/16 | .208 ±.005 | .070 ±.003 | 50 | 0.03 |
| 568-010 | 1/4 | 3/8 | 1/16 | .239 ±.005 | .070 ±.003 | 50 | 0.06 |
| 568-011 | 5/16 | 7/16 | 1/16 | .301 ±.005 | .070 ±.003 | 50 | 0.06 |
| 568-012 | 3/8 | 1/2 | 1/16 | .364 ±.005 | .070 ±.003 | 50 | 0.06 |
| 568-013 | 7/16 | 9/16 | 1/16 | .426 ±.005 | .070 ±.003 | 50 | 0.06 |
| 568-014 | 1/2 | 5/8 | 1/16 | .489 ±.005 | .070 ±.003 | 50 | 0.06 |
| 568-015 | 9/16 | 11/16 | 1/16 | .551 ±.007 | .070 ±.003 | 50 | 0.07 |
| 568-016 | 5/8 | 3/4 | 1/16 | .614 ±.009 | .070 ±.003 | 50 | 0.07 |
| 568-017 | 11/16 | 13/16 | 1/16 | .676 ±.009 | .070 ±.003 | 50 | 0.09 |
| 568-018 | 3/4 | 7/8 | 1/16 | .739 ±.009 | .070 ±.003 | 50 | 0.09 |
| 568-019 | 13/16 | 15/16 | 1/16 | .801 ±.009 | .070 ±.003 | 50 | 0.10 |
| 568-020 | 7/8 | 1 | 1/16 | .864 ±.009 | .070 ±.003 | 50 | 0.10 |
| 568-021 | 15/16 | 1-1/16 | 1/16 | .926 ±.009 | .070 ±.003 | 50 | 0.10 |
| 568-022 | 1 | 1-1/8 | 1/16 | .989 ±.010 | .070 ±.003 | 50 | 0.10 |
| 568-023 | 1-1/16 | 1-3/16 | 1/16 | 1.051 ±.010 | .070 ±.003 | 50 | 0.12 |
| 568-024 | 1-1/8 | 1-1/4 | 1/16 | 1.114 ±.010 | .070 ±.003 | 50 | 0.12 |
| 568-025 | 1-3/16 | 1-5/16 | 1/16 | 1.176 ±.011 | .070 ±.003 | 50 | 0.17 |
| 568-026 | 1-1/4 | 1-3/8 | 1/16 | 1.239 ±.011 | .070 ±.003 | 50 | 0.19 |
| 568-027 | 1-5/16 | 1-7/16 | 1/16 | 1.301 ±.011 | .070 ±.003 | 50 | 0.19 |
| 568-028 | 1-3/8 | 1-1/2 | 1/16 | 1.364 ±.013 | .070 ±.003 | 20 | 0.19 |
| 568-029 | 1-1/2 | 1-5/8 | 1/16 | 1.489 ±.013 | .070 ±.003 | 20 | 0.20 |
| 568-030 | 1-5/8 | 1-3/4 | 1/16 | 1.614 ±.013 | .070 ±.003 | 20 | 0.23 |
| 568-031 | 1-3/4 | 1-7/8 | 1/16 | 1.739 ±.015 | .070 ±.003 | 20 | 0.26 |
| 568-032 | 1-7/8 | 2 | 1/16 | 1.864 ±.015 | .070 ±.003 | 20 | 0.29 |
| 568-033 | 2 | 2-1/8 | 1/16 | 1.989 ±.018 | .070 ±.003 | 20 | 0.36 |
| 568-034 | 2-1/8 | 2-1/4 | 1/16 | 2.114 ±.018 | .070 ±.003 | 20 | 0.39 |
| 568-035 | 2-1/4 | 2-3/8 | 1/16 | 2.239 ±.018 | .070 ±.003 | 20 | 0.39 |
| 568-036 | 2-3/8 | 2-1/2 | 1/16 | 2.364 ±.018 | .070 ±.003 | 20 | 0.42 |
| 568-037 | 2-1/2 | 2-5/8 | 1/16 | 2.489 ±.018 | .070 ±.003 | 20 | 0.42 |
| 568-038 | 2-5/8 | 2-3/4 | 1/16 | 2.614 ±.020 | .070 ±.003 | 20 | 0.47 |
| 568-039 | 2-3/4 | 2-7/8 | 1/16 | 2.739 ±.020 | .070 ±.003 | 20 | 0.48 |

NORTH AMERICA
PHONE 1-800-777-5617
FAX 1-800-759-6391

SALES OFFICE HOURS
8 A.M. TO 7:30 P.M. EASTERN TIME
www.HerculesUS.com

WORLDWIDE
PHONE 1-727-796-1300
FAX 1-727-797-8849



STYLE 568, 70 DURO BUNA-N O-RINGS

| Part Number | A Nom. ID | B Nom. OD | C Nom. Ht | INSIDE DIAMETER | CROSS SECTION | Package Quantity | List Price |
|------------------|-----------|-----------|-----------|-----------------|---------------|------------------|------------|
| 568-040 | 2-7/8 | 3 | 1/16 | 2.864 ±.020 | .070 ±.003 | 20 | 0.50 |
| 568-041 | 3 | 3-1/8 | 1/16 | 2.989 ±.024 | .070 ±.003 | 20 | 0.57 |
| 568-042 | 3-1/4 | 3-3/8 | 1/16 | 3.239 ±.024 | .070 ±.003 | 20 | 0.62 |
| 568-043 | 3-1/2 | 3-5/8 | 1/16 | 3.489 ±.024 | .070 ±.003 | 20 | 0.65 |
| 568-044 | 3-3/4 | 3-7/8 | 1/16 | 3.739 ±.027 | .070 ±.003 | 10 | 0.77 |
| 568-045 | 4 | 4-1/8 | 1/16 | 3.989 ±.027 | .070 ±.003 | 10 | 0.79 |
| 568-046 | 4-1/4 | 4-3/8 | 1/16 | 4.239 ±.030 | .070 ±.003 | 10 | 0.85 |
| 568-047 | 4-1/2 | 4-5/8 | 1/16 | 4.489 ±.030 | .070 ±.003 | 10 | 0.94 |
| 568-048 | 4-3/4 | 4-7/8 | 1/16 | 4.739 ±.030 | .070 ±.003 | 10 | 1.12 |
| 568-049 | 5 | 5-1/8 | 1/16 | 4.989 ±.037 | .070 ±.003 | 10 | 1.44 |
| 568-050 | 5-1/4 | 5-3/8 | 1/16 | 5.239 ±.037 | .070 ±.003 | 10 | 1.44 |
| 3/32" C/S | | | | | | | |
| 568-102 | 1/16 | 1/4 | 3/32 | .049 ±.005 | .103 ±.003 | 50 | \$0.09 |
| 568-103 | 3/32 | 9/32 | 3/32 | .081 ±.005 | .103 ±.003 | 50 | 0.09 |
| 568-104 | 1/8 | 5/16 | 3/32 | .112 ±.005 | .103 ±.003 | 50 | 0.06 |
| 568-105 | 5/32 | 11/32 | 3/32 | .143 ±.005 | .103 ±.003 | 50 | 0.06 |
| 568-106 | 3/16 | 3/8 | 3/32 | .174 ±.005 | .103 ±.003 | 50 | 0.06 |
| 568-107 | 7/32 | 13/32 | 3/32 | .206 ±.005 | .103 ±.003 | 50 | 0.06 |
| 568-108 | 1/4 | 7/16 | 3/32 | .237 ±.005 | .103 ±.003 | 50 | 0.12 |
| 568-109 | 5/16 | 1/2 | 3/32 | .299 ±.005 | .103 ±.003 | 50 | 0.06 |
| 568-110 | 3/8 | 9/16 | 3/32 | .362 ±.005 | .103 ±.003 | 50 | 0.07 |
| 568-111 | 7/16 | 5/8 | 3/32 | .424 ±.005 | .103 ±.003 | 50 | 0.07 |
| 568-112 | 1/2 | 11/16 | 3/32 | .487 ±.005 | .103 ±.003 | 50 | 0.07 |
| 568-113 | 9/16 | 3/4 | 3/32 | .549 ±.005 | .103 ±.003 | 50 | 0.07 |
| 568-114 | 5/8 | 13/16 | 3/32 | .612 ±.009 | .103 ±.003 | 50 | 0.09 |
| 568-115 | 11/16 | 7/8 | 3/32 | .674 ±.009 | .103 ±.003 | 50 | 0.09 |
| 568-116 | 3/4 | 15/16 | 3/32 | .737 ±.009 | .103 ±.003 | 50 | 0.09 |
| 568-117 | 13/16 | 1 | 3/32 | .799 ±.010 | .103 ±.003 | 50 | 0.09 |
| 568-118 | 7/8 | 1-1/16 | 3/32 | .862 ±.010 | .103 ±.003 | 50 | 0.10 |
| 568-119 | 15/16 | 1-1/8 | 3/32 | .924 ±.010 | .103 ±.003 | 50 | 0.10 |
| 568-120 | 1 | 1-3/16 | 3/32 | .987 ±.010 | .103 ±.003 | 50 | 0.10 |
| 568-121 | 1-1/16 | 1-1/4 | 3/32 | 1.049 ±.010 | .103 ±.003 | 50 | 0.12 |
| 568-122 | 1-1/8 | 1-5/16 | 3/32 | 1.112 ±.010 | .103 ±.003 | 50 | 0.12 |
| 568-123 | 1-3/16 | 1-3/8 | 3/32 | 1.174 ±.012 | .103 ±.003 | 50 | 0.12 |
| 568-124 | 1-1/4 | 1-7/16 | 3/32 | 1.237 ±.012 | .103 ±.003 | 50 | 0.19 |
| 568-125 | 1-5/16 | 1-1/2 | 3/32 | 1.299 ±.012 | .103 ±.003 | 50 | 0.19 |
| 568-126 | 1-3/8 | 1-9/16 | 3/32 | 1.362 ±.012 | .103 ±.003 | 20 | 0.20 |
| 568-127 | 1-7/16 | 1-5/8 | 3/32 | 1.424 ±.012 | .103 ±.003 | 20 | 0.22 |
| 568-128 | 1-1/2 | 1-11/16 | 3/32 | 1.487 ±.012 | .103 ±.003 | 20 | 0.23 |
| 568-129 | 1-9/16 | 1-3/4 | 3/32 | 1.549 ±.015 | .103 ±.003 | 20 | 0.23 |
| 568-130 | 1-5/8 | 1-13/16 | 3/32 | 1.612 ±.015 | .103 ±.003 | 20 | 0.26 |
| 568-131 | 1-11/16 | 1-7/8 | 3/32 | 1.674 ±.015 | .103 ±.003 | 20 | 0.27 |
| 568-132 | 1-3/4 | 1-15/16 | 3/32 | 1.737 ±.015 | .103 ±.003 | 20 | 0.27 |
| 568-133 | 1-13/16 | 2 | 3/32 | 1.799 ±.015 | .103 ±.003 | 20 | 0.29 |
| 568-134 | 1-7/8 | 2-1/16 | 3/32 | 1.862 ±.015 | .103 ±.003 | 20 | 0.29 |
| 568-135 | 1-15/16 | 2-1/8 | 3/32 | 1.925 ±.017 | .103 ±.003 | 20 | 0.29 |
| 568-136 | 2 | 2-3/16 | 3/32 | 1.987 ±.017 | .103 ±.003 | 20 | 0.30 |
| 568-137 | 2-1/16 | 2-1/4 | 3/32 | 2.050 ±.017 | .103 ±.003 | 20 | 0.30 |
| 568-138 | 2-1/8 | 2-5/16 | 3/32 | 2.112 ±.017 | .103 ±.003 | 20 | 0.36 |
| 568-139 | 2-3/16 | 2-3/8 | 3/32 | 2.175 ±.017 | .103 ±.003 | 20 | 0.36 |
| 568-140 | 2-1/4 | 2-7/16 | 3/32 | 2.237 ±.017 | .103 ±.003 | 20 | 0.36 |
| 568-141 | 2-5/16 | 2-1/2 | 3/32 | 2.300 ±.020 | .103 ±.003 | 20 | 0.42 |
| 568-142 | 2-3/8 | 2-9/16 | 3/32 | 2.362 ±.020 | .103 ±.003 | 20 | 0.42 |
| 568-143 | 2-7/16 | 2-5/8 | 3/32 | 2.425 ±.020 | .103 ±.003 | 20 | 0.42 |
| 568-144 | 2-1/2 | 2-11/16 | 3/32 | 2.487 ±.020 | .103 ±.003 | 20 | 0.47 |
| 568-145 | 2-9/16 | 2-3/4 | 3/32 | 2.550 ±.020 | .103 ±.003 | 20 | 0.47 |
| 568-146 | 2-5/8 | 2-13/16 | 3/32 | 2.612 ±.020 | .103 ±.003 | 20 | 0.47 |

O-RINGS

FORMERLY LISTED SEALS ARE AVAILABLE ONLINE AT WWW.HERCULESUS.COM
OR BY CONTACTING YOUR REGIONAL HERCULES SALES TEAM.



STYLE 568, 70 DURO BUNA-N O-RINGS

O-RINGS

| Part Number | A Nom. ID | B Nom. OD | C Nom. Ht | INSIDE DIAMETER | CROSS SECTION | Package Quantity | List Price |
|-----------------|-----------|-----------|-----------|-----------------|---------------|------------------|------------|
| 568-147 | 2-11/16 | 2-7/8 | 3/32 | 2.675 ±.022 | .103 ±.003 | 20 | 0.47 |
| 568-148 | 2-3/4 | 2-15/16 | 3/32 | 2.737 ±.022 | .103 ±.003 | 20 | 0.47 |
| 568-149 | 2-13/16 | 3 | 3/32 | 2.800 ±.022 | .103 ±.003 | 20 | 0.48 |
| 568-150 | 2-7/8 | 3-1/16 | 3/32 | 2.862 ±.022 | .103 ±.003 | 20 | 0.48 |
| 568-151 | 3 | 3-3/16 | 3/32 | 2.987 ±.024 | .103 ±.003 | 20 | 0.53 |
| 568-152 | 3-1/4 | 3-7/16 | 3/32 | 3.237 ±.024 | .103 ±.003 | 20 | 0.62 |
| 568-153 | 3-1/2 | 3-11/16 | 3/32 | 3.487 ±.024 | .103 ±.003 | 20 | 0.65 |
| 568-154 | 3-3/4 | 3-15/16 | 3/32 | 3.737 ±.028 | .103 ±.003 | 20 | 0.65 |
| 568-155 | 4 | 4-3/16 | 3/32 | 3.987 ±.028 | .103 ±.003 | 10 | 0.85 |
| 568-156 | 4-1/4 | 4-7/16 | 3/32 | 4.237 ±.030 | .103 ±.003 | 10 | 1.06 |
| 568-157 | 4-1/2 | 4-11/16 | 3/32 | 4.487 ±.030 | .103 ±.003 | 10 | 1.09 |
| 568-158 | 4-3/4 | 4-15/16 | 3/32 | 4.737 ±.030 | .103 ±.003 | 10 | 1.12 |
| 568-159 | 5 | 5-3/16 | 3/32 | 4.987 ±.035 | .103 ±.003 | 10 | 1.20 |
| 568-160 | 5-1/4 | 5-7/16 | 3/32 | 5.237 ±.035 | .103 ±.003 | 5 | 1.29 |
| 568-161 | 5-1/2 | 5-11/16 | 3/32 | 5.487 ±.035 | .103 ±.003 | 5 | 1.44 |
| 568-162 | 5-3/4 | 5-15/16 | 3/32 | 5.737 ±.035 | .103 ±.003 | 5 | 1.69 |
| 568-163 | 6 | 6-3/16 | 3/32 | 5.987 ±.035 | .103 ±.003 | 5 | 1.76 |
| 568-164 | 6-1/4 | 6-7/16 | 3/32 | 6.237 ±.040 | .103 ±.003 | 5 | 1.96 |
| 568-165 | 6-1/2 | 6-11/16 | 3/32 | 6.487 ±.040 | .103 ±.003 | 5 | 2.02 |
| 568-166 | 6-3/4 | 6-15/16 | 3/32 | 6.737 ±.040 | .103 ±.003 | 5 | 2.02 |
| 568-167 | 7 | 7-3/16 | 3/32 | 6.987 ±.040 | .103 ±.003 | 5 | 2.02 |
| 568-168 | 7-1/4 | 7-7/16 | 3/32 | 7.237 ±.045 | .103 ±.003 | 5 | 2.21 |
| 568-169 | 7-1/2 | 7-11/16 | 3/32 | 7.487 ±.045 | .103 ±.003 | 5 | 2.28 |
| 568-170 | 7-3/4 | 7-15/16 | 3/32 | 7.737 ±.045 | .103 ±.003 | 5 | 2.36 |
| 568-171 | 8 | 8-3/16 | 3/32 | 7.987 ±.045 | .103 ±.003 | 1 | 2.94 |
| 568-172 | 8-1/4 | 8-7/16 | 3/32 | 8.237 ±.050 | .103 ±.003 | 1 | 3.05 |
| 568-173 | 8-1/2 | 8-11/16 | 3/32 | 8.487 ±.050 | .103 ±.003 | 1 | 3.27 |
| 568-174 | 8-3/4 | 8-15/16 | 3/32 | 8.737 ±.050 | .103 ±.003 | 1 | 3.59 |
| 568-175 | 9 | 9-3/16 | 3/32 | 8.987 ±.050 | .103 ±.003 | 1 | 3.92 |
| 568-176 | 9-1/4 | 9-7/16 | 3/32 | 9.237 ±.055 | .103 ±.003 | 1 | 4.24 |
| 568-177 | 9-1/2 | 9-11/16 | 3/32 | 9.487 ±.055 | .103 ±.003 | 1 | 4.38 |
| 568-178 | 9-3/4 | 9-15/16 | 3/32 | 9.737 ±.055 | .103 ±.003 | 1 | 4.59 |
| 1/8" C/S | | | | | | | |
| 568-201 | 3/16 | 7/16 | 1/8 | .171 ±.005 | .139 ±.004 | 50 | \$0.06 |
| 568-202 | 1/4 | 1/2 | 1/8 | .234 ±.005 | .139 ±.004 | 50 | 0.06 |
| 568-203 | 5/16 | 9/16 | 1/8 | .296 ±.005 | .139 ±.004 | 50 | 0.07 |
| 568-204 | 3/8 | 5/8 | 1/8 | .359 ±.005 | .139 ±.004 | 50 | 0.07 |
| 568-205 | 7/16 | 11/16 | 1/8 | .421 ±.005 | .139 ±.004 | 50 | 0.07 |
| 568-206 | 1/2 | 3/4 | 1/8 | .484 ±.005 | .139 ±.004 | 50 | 0.09 |
| 568-207 | 9/16 | 13/16 | 1/8 | .546 ±.007 | .139 ±.004 | 50 | 0.09 |
| 568-208 | 5/8 | 7/8 | 1/8 | .609 ±.009 | .139 ±.004 | 50 | 0.10 |
| 568-209 | 11/16 | 15/16 | 1/8 | .671 ±.009 | .139 ±.004 | 50 | 0.10 |
| 568-210 | 3/4 | 1 | 1/8 | .734 ±.010 | .139 ±.004 | 50 | 0.10 |
| 568-211 | 13/16 | 1-1/16 | 1/8 | .796 ±.010 | .139 ±.004 | 50 | 0.12 |
| 568-212 | 7/8 | 1-1/8 | 1/8 | .859 ±.010 | .139 ±.004 | 50 | 0.12 |
| 568-213 | 15/16 | 1-3/16 | 1/8 | .921 ±.010 | .139 ±.004 | 50 | 0.12 |
| 568-214 | 1 | 1-1/4 | 1/8 | .984 ±.010 | .139 ±.004 | 50 | 0.17 |
| 568-215 | 1-1/16 | 1-5/16 | 1/8 | 1.046 ±.010 | .139 ±.004 | 50 | 0.19 |
| 568-216 | 1-1/8 | 1-3/8 | 1/8 | 1.109 ±.012 | .139 ±.004 | 50 | 0.19 |
| 568-217 | 1-3/16 | 1-7/16 | 1/8 | 1.171 ±.012 | .139 ±.004 | 50 | 0.20 |
| 568-218 | 1-1/4 | 1-1/2 | 1/8 | 1.234 ±.012 | .139 ±.004 | 50 | 0.20 |
| 568-219 | 1-5/16 | 1-9/16 | 1/8 | 1.296 ±.012 | .139 ±.004 | 50 | 0.20 |
| 568-220 | 1-3/8 | 1-5/8 | 1/8 | 1.359 ±.012 | .139 ±.004 | 20 | 0.22 |
| 568-221 | 1-7/16 | 1-11/16 | 1/8 | 1.421 ±.012 | .139 ±.004 | 20 | 0.23 |
| 568-222 | 1-1/2 | 1-3/4 | 1/8 | 1.484 ±.015 | .139 ±.004 | 20 | 0.26 |
| 568-223 | 1-5/8 | 1-7/8 | 1/8 | 1.609 ±.015 | .139 ±.004 | 20 | 0.29 |
| 568-224 | 1-3/4 | 2 | 1/8 | 1.734 ±.015 | .139 ±.004 | 20 | 0.54 |



STYLE 568, 70 DURO BUNA-N O-RINGS

O-RINGS

| Part Number | A Nom. ID | B Nom. OD | C Nom. Ht | INSIDE DIAMETER | CROSS SECTION | Package Quantity | List Price |
|-------------|-----------|-----------|-----------|-----------------|---------------|------------------|------------|
| 568-225 | 1-7/8 | 2-1/8 | 1/8 | 1.859 ±.018 | .139 ±.004 | 20 | 0.32 |
| 568-226 | 2 | 2-1/4 | 1/8 | 1.984 ±.018 | .139 ±.004 | 20 | 0.39 |
| 568-227 | 2-1/8 | 2-3/8 | 1/8 | 2.109 ±.018 | .139 ±.004 | 20 | 0.39 |
| 568-228 | 2-1/4 | 2-1/2 | 1/8 | 2.234 ±.020 | .139 ±.004 | 20 | 0.42 |
| 568-229 | 2-3/8 | 2-5/8 | 1/8 | 2.359 ±.020 | .139 ±.004 | 20 | 0.47 |
| 568-230 | 2-1/2 | 2-3/4 | 1/8 | 2.484 ±.020 | .139 ±.004 | 20 | 0.50 |
| 568-231 | 2-5/8 | 2-7/8 | 1/8 | 2.609 ±.020 | .139 ±.004 | 20 | 0.53 |
| 568-232 | 2-3/4 | 3 | 1/8 | 2.734 ±.024 | .139 ±.004 | 20 | 0.53 |
| 568-233 | 2-7/8 | 3-1/8 | 1/8 | 2.859 ±.024 | .139 ±.004 | 20 | 0.56 |
| 568-234 | 3 | 3-1/4 | 1/8 | 2.984 ±.024 | .139 ±.004 | 20 | 0.59 |
| 568-235 | 3-1/8 | 3-3/8 | 1/8 | 3.109 ±.024 | .139 ±.004 | 20 | 0.62 |
| 568-236 | 3-1/4 | 3-1/2 | 1/8 | 3.234 ±.024 | .139 ±.004 | 20 | 0.65 |
| 568-237 | 3-3/8 | 3-5/8 | 1/8 | 3.359 ±.024 | .139 ±.004 | 20 | 0.65 |
| 568-238 | 3-1/2 | 3-3/4 | 1/8 | 3.484 ±.024 | .139 ±.004 | 20 | 0.69 |
| 568-239 | 3-5/8 | 3-7/8 | 1/8 | 3.609 ±.028 | .139 ±.004 | 20 | 0.69 |
| 568-240 | 3-3/4 | 4 | 1/8 | 3.734 ±.028 | .139 ±.004 | 20 | 0.71 |
| 568-241 | 3-7/8 | 4-1/8 | 1/8 | 3.859 ±.028 | .139 ±.004 | 20 | 0.72 |
| 568-242 | 4 | 4-1/4 | 1/8 | 3.984 ±.028 | .139 ±.004 | 10 | 0.79 |
| 568-243 | 4-1/8 | 4-3/8 | 1/8 | 4.109 ±.028 | .139 ±.004 | 10 | 0.85 |
| 568-244 | 4-1/4 | 4-1/2 | 1/8 | 4.234 ±.030 | .139 ±.004 | 10 | 0.88 |
| 568-245 | 4-3/8 | 4-5/8 | 1/8 | 4.359 ±.030 | .139 ±.004 | 10 | 0.98 |
| 568-246 | 4-1/2 | 4-3/4 | 1/8 | 4.484 ±.030 | .139 ±.004 | 10 | 1.12 |
| 568-247 | 4-5/8 | 4-7/8 | 1/8 | 4.609 ±.030 | .139 ±.004 | 10 | 1.15 |
| 568-248 | 4-3/4 | 5 | 1/8 | 4.734 ±.030 | .139 ±.004 | 10 | 1.18 |
| 568-249 | 4-7/8 | 5-1/8 | 1/8 | 4.859 ±.035 | .139 ±.004 | 10 | 1.25 |
| 568-250 | 5 | 5-1/4 | 1/8 | 4.984 ±.035 | .139 ±.004 | 10 | 1.25 |
| 568-251 | 5-1/8 | 5-3/8 | 1/8 | 5.109 ±.035 | .139 ±.004 | 10 | 1.29 |
| 568-252 | 5-1/4 | 5-1/2 | 1/8 | 5.234 ±.035 | .139 ±.004 | 10 | 1.29 |
| 568-253 | 5-3/8 | 5-5/8 | 1/8 | 5.359 ±.035 | .139 ±.004 | 10 | 1.38 |
| 568-254 | 5-1/2 | 5-3/4 | 1/8 | 5.484 ±.035 | .139 ±.004 | 5 | 1.51 |
| 568-255 | 5-5/8 | 5-7/8 | 1/8 | 5.609 ±.035 | .139 ±.004 | 5 | 1.57 |
| 568-256 | 5-3/4 | 6 | 1/8 | 5.734 ±.035 | .139 ±.004 | 5 | 1.64 |
| 568-257 | 5-7/8 | 6-1/8 | 1/8 | 5.859 ±.035 | .139 ±.004 | 5 | 1.69 |
| 568-258 | 6 | 6-1/4 | 1/8 | 5.984 ±.035 | .139 ±.004 | 5 | 1.76 |
| 568-259 | 6-1/4 | 6-1/2 | 1/8 | 6.234 ±.040 | .139 ±.004 | 5 | 1.96 |
| 568-260 | 6-1/2 | 6-3/4 | 1/8 | 6.484 ±.040 | .139 ±.004 | 5 | 1.96 |
| 568-261 | 6-3/4 | 7 | 1/8 | 6.734 ±.040 | .139 ±.004 | 5 | 2.10 |
| 568-262 | 7 | 7-1/4 | 1/8 | 6.984 ±.040 | .139 ±.004 | 5 | 2.16 |
| 568-263 | 7-1/4 | 7-1/2 | 1/8 | 7.234 ±.045 | .139 ±.004 | 5 | 2.36 |
| 568-264 | 7-1/2 | 7-3/4 | 1/8 | 7.484 ±.045 | .139 ±.004 | 5 | 2.41 |
| 568-265 | 7-3/4 | 8 | 1/8 | 7.734 ±.045 | .139 ±.004 | 5 | 2.63 |
| 568-266 | 8 | 8-1/4 | 1/8 | 7.984 ±.045 | .139 ±.004 | 5 | 2.68 |
| 568-267 | 8-1/4 | 8-1/2 | 1/8 | 8.234 ±.050 | .139 ±.004 | 5 | 2.74 |
| 568-268 | 8-1/2 | 8-3/4 | 1/8 | 8.484 ±.050 | .139 ±.004 | 1 | 3.00 |
| 568-269 | 8-3/4 | 9 | 1/8 | 8.734 ±.050 | .139 ±.004 | 1 | 3.27 |
| 568-270 | 9 | 9-1/4 | 1/8 | 8.984 ±.050 | .139 ±.004 | 1 | 3.27 |
| 568-271 | 9-1/4 | 9-1/2 | 1/8 | 9.234 ±.055 | .139 ±.004 | 1 | 3.27 |
| 568-272 | 9-1/2 | 9-3/4 | 1/8 | 9.484 ±.055 | .139 ±.004 | 1 | 3.27 |
| 568-273 | 9-3/4 | 10 | 1/8 | 9.734 ±.055 | .139 ±.004 | 1 | 3.27 |
| 568-274 | 10 | 10-1/4 | 1/8 | 9.984 ±.055 | .139 ±.004 | 1 | 3.27 |
| 568-275 | 10-1/2 | 10-3/4 | 1/8 | 10.484 ±.055 | .139 ±.004 | 1 | 3.59 |
| 568-276 | 11 | 11-1/4 | 1/8 | 10.984 ±.065 | .139 ±.004 | 1 | 3.92 |
| 568-277 | 11-1/2 | 11-3/4 | 1/8 | 11.484 ±.065 | .139 ±.004 | 1 | 3.92 |
| 568-278 | 12 | 12-1/4 | 1/8 | 11.984 ±.065 | .139 ±.004 | 1 | 4.24 |
| 568-279 | 13 | 13-1/4 | 1/8 | 12.984 ±.065 | .139 ±.004 | 1 | 5.23 |
| 568-280 | 14 | 14-1/4 | 1/8 | 13.984 ±.065 | .139 ±.004 | 1 | 6.42 |
| 568-281 | 15 | 15-1/4 | 1/8 | 14.984 ±.065 | .139 ±.004 | 1 | 7.52 |

FORMERLY LISTED SEALS ARE AVAILABLE ONLINE AT WWW.HERCULESUS.COM
OR BY CONTACTING YOUR REGIONAL HERCULES SALES TEAM.



STYLE 568, 70 DURO BUNA-N O-RINGS

| Part Number | A Nom. ID | B Nom. OD | C Nom. Ht | INSIDE DIAMETER | CROSS SECTION | Package Quantity | List Price |
|------------------|-----------|-----------|-----------|-----------------|---------------|------------------|------------|
| 568-282 | 16 | 16-1/4 | 1/8 | 15.955 ±.075 | .139 ±.004 | 1 | 8.18 |
| 568-283 | 17 | 17-1/4 | 1/8 | 16.955 ±.080 | .139 ±.004 | 1 | 9.16 |
| 568-284 | 18 | 18-1/4 | 1/8 | 17.955 ±.085 | .139 ±.004 | 1 | 10.45 |
| 3/16" C/S | | | | | | | |
| 568-309 | 7/16 | 13/16 | 3/16 | .412 ±.005 | .210 ±.005 | 50 | \$0.17 |
| 568-310 | 1/2 | 7/8 | 3/16 | .475 ±.005 | .210 ±.005 | 50 | 0.19 |
| 568-311 | 9/16 | 15/16 | 3/16 | .537 ±.007 | .210 ±.005 | 50 | 0.19 |
| 568-312 | 5/8 | 1 | 3/16 | .600 ±.009 | .210 ±.005 | 50 | 0.22 |
| 568-313 | 11/16 | 1-1/16 | 3/16 | .662 ±.009 | .210 ±.005 | 50 | 0.22 |
| 568-314 | 3/4 | 1-1/8 | 3/16 | .725 ±.010 | .210 ±.005 | 50 | 0.22 |
| 568-315 | 13/16 | 1-3/16 | 3/16 | .787 ±.010 | .210 ±.005 | 50 | 0.23 |
| 568-316 | 7/8 | 1-1/4 | 3/16 | .850 ±.010 | .210 ±.005 | 50 | 0.23 |
| 568-317 | 15/16 | 1-5/16 | 3/16 | .912 ±.010 | .210 ±.005 | 50 | 0.23 |
| 568-318 | 1 | 1-3/8 | 3/16 | .975 ±.010 | .210 ±.005 | 50 | 0.23 |
| 568-319 | 1-1/16 | 1-7/16 | 3/16 | 1.037 ±.010 | .210 ±.005 | 50 | 0.27 |
| 568-320 | 1-1/8 | 1-1/2 | 3/16 | 1.100 ±.012 | .210 ±.005 | 20 | 0.29 |
| 568-321 | 1-3/16 | 1-9/16 | 3/16 | 1.162 ±.012 | .210 ±.005 | 20 | 0.29 |
| 568-322 | 1-1/4 | 1-5/8 | 3/16 | 1.225 ±.012 | .210 ±.005 | 20 | 0.29 |
| 568-323 | 1-5/16 | 1-11/16 | 3/16 | 1.287 ±.012 | .210 ±.005 | 20 | 0.29 |
| 568-324 | 1-3/8 | 1-3/4 | 3/16 | 1.350 ±.012 | .210 ±.005 | 20 | 0.29 |
| 568-325 | 1-1/2 | 1-7/8 | 3/16 | 1.475 ±.015 | .210 ±.005 | 20 | 0.32 |
| 568-326 | 1-5/8 | 2 | 3/16 | 1.600 ±.015 | .210 ±.005 | 20 | 0.32 |
| 568-327 | 1-3/4 | 2-1/8 | 3/16 | 1.725 ±.015 | .210 ±.005 | 20 | 0.42 |
| 568-328 | 1-7/8 | 2-1/4 | 3/16 | 1.850 ±.015 | .210 ±.005 | 20 | 0.47 |
| 568-329 | 2 | 2-3/8 | 3/16 | 1.975 ±.018 | .210 ±.005 | 20 | 0.50 |
| 568-330 | 2-1/8 | 2-1/2 | 3/16 | 2.100 ±.018 | .210 ±.005 | 20 | 0.56 |
| 568-331 | 2-1/4 | 2-5/8 | 3/16 | 2.225 ±.018 | .210 ±.005 | 20 | 0.59 |
| 568-332 | 2-3/8 | 2-3/4 | 3/16 | 2.350 ±.018 | .210 ±.005 | 20 | 0.65 |
| 568-333 | 2-1/2 | 2-7/8 | 3/16 | 2.475 ±.020 | .210 ±.005 | 20 | 0.71 |
| 568-334 | 2-5/8 | 3 | 3/16 | 2.600 ±.020 | .210 ±.005 | 20 | 0.72 |
| 568-335 | 2-3/4 | 3-1/8 | 3/16 | 2.725 ±.020 | .210 ±.005 | 10 | 0.79 |
| 568-336 | 2-7/8 | 3-1/4 | 3/16 | 2.850 ±.020 | .210 ±.005 | 10 | 0.85 |
| 568-337 | 3 | 3-3/8 | 3/16 | 2.975 ±.024 | .210 ±.005 | 10 | 0.88 |
| 568-338 | 3-1/8 | 3-1/2 | 3/16 | 3.100 ±.024 | .210 ±.005 | 10 | 0.88 |
| 568-339 | 3-1/4 | 3-5/8 | 3/16 | 3.225 ±.024 | .210 ±.005 | 10 | 0.98 |
| 568-340 | 3-3/8 | 3-3/4 | 3/16 | 3.350 ±.024 | .210 ±.005 | 10 | 1.06 |
| 568-341 | 3-1/2 | 3-7/8 | 3/16 | 3.475 ±.024 | .210 ±.005 | 10 | 1.06 |
| 568-342 | 3-5/8 | 4 | 3/16 | 3.600 ±.028 | .210 ±.005 | 10 | 1.15 |
| 568-343 | 3-3/4 | 4-1/8 | 3/16 | 3.725 ±.028 | .210 ±.005 | 10 | 1.18 |
| 568-344 | 3-7/8 | 4-1/4 | 3/16 | 3.850 ±.028 | .210 ±.005 | 10 | 1.18 |
| 568-345 | 4 | 4-3/8 | 3/16 | 3.975 ±.028 | .210 ±.005 | 10 | 1.29 |
| 568-346 | 4-1/8 | 4-1/2 | 3/16 | 4.100 ±.028 | .210 ±.005 | 10 | 1.29 |
| 568-347 | 4-1/4 | 4-5/8 | 3/16 | 4.225 ±.030 | .210 ±.005 | 10 | 1.29 |
| 568-348 | 4-3/8 | 4-3/4 | 3/16 | 4.350 ±.030 | .210 ±.005 | 10 | 1.29 |
| 568-349 | 4-1/2 | 4-7/8 | 3/16 | 4.475 ±.030 | .210 ±.005 | 10 | 1.44 |
| 568-350 | 4-5/8 | 5 | 3/16 | 4.600 ±.030 | .210 ±.005 | 5 | 1.51 |
| 568-351 | 4-3/4 | 5-1/8 | 3/16 | 4.725 ±.030 | .210 ±.005 | 5 | 1.51 |
| 568-352 | 4-7/8 | 5-1/4 | 3/16 | 4.850 ±.030 | .210 ±.005 | 5 | 1.57 |
| 568-353 | 5 | 5-3/8 | 3/16 | 4.975 ±.037 | .210 ±.005 | 5 | 1.64 |
| 568-354 | 5-1/8 | 5-1/2 | 3/16 | 5.100 ±.037 | .210 ±.005 | 5 | 1.76 |
| 568-355 | 5-1/4 | 5-5/8 | 3/16 | 5.225 ±.037 | .210 ±.005 | 5 | 1.96 |
| 568-356 | 5-3/8 | 5-3/4 | 3/16 | 5.350 ±.037 | .210 ±.005 | 5 | 1.96 |
| 568-357 | 5-1/2 | 5-7/8 | 3/16 | 5.475 ±.037 | .210 ±.005 | 5 | 2.02 |
| 568-358 | 5-5/8 | 6 | 3/16 | 5.600 ±.037 | .210 ±.005 | 5 | 2.16 |
| 568-359 | 5-3/4 | 6-1/8 | 3/16 | 5.725 ±.037 | .210 ±.005 | 5 | 2.16 |
| 568-360 | 5-7/8 | 6-1/4 | 3/16 | 5.850 ±.037 | .210 ±.005 | 5 | 2.28 |
| 568-361 | 6 | 6-3/8 | 3/16 | 5.975 ±.037 | .210 ±.005 | 5 | 2.36 |

O-RINGS

NORTH AMERICA
PHONE 1-800-777-5617
FAX 1-800-759-6391

SALES OFFICE HOURS
8 A.M. TO 7:30 P.M. EASTERN TIME
www.HerculesUS.com

WORLDWIDE
PHONE 1-727-796-1300
FAX 1-727-797-8849



STYLE 568, 70 DURO BUNA-N O-RINGS

O-RINGS

| Part Number | A Nom. ID | B Nom. OD | C Nom. Ht | INSIDE DIAMETER | CROSS SECTION | Package Quantity | List Price |
|-----------------|-----------|-----------|-----------|-----------------|---------------|------------------|------------|
| 568-362 | 6-1/4 | 6-5/8 | 3/16 | 6.225 ±.040 | .210 ±.005 | 5 | 2.41 |
| 568-363 | 6-1/2 | 6-7/8 | 3/16 | 6.475 ±.040 | .210 ±.005 | 5 | 2.52 |
| 568-364 | 6-3/4 | 7-1/8 | 3/16 | 6.725 ±.040 | .210 ±.005 | 5 | 2.63 |
| 568-365 | 7 | 7-3/8 | 3/16 | 6.975 ±.040 | .210 ±.005 | 5 | 2.74 |
| 568-366 | 7-1/4 | 7-5/8 | 3/16 | 7.225 ±.045 | .210 ±.005 | 5 | 2.74 |
| 568-367 | 7-1/2 | 7-7/8 | 3/16 | 7.475 ±.045 | .210 ±.005 | 5 | 2.74 |
| 568-368 | 7-3/4 | 8-1/8 | 3/16 | 7.725 ±.045 | .210 ±.005 | 5 | 2.74 |
| 568-369 | 8 | 8-3/8 | 3/16 | 7.975 ±.045 | .210 ±.005 | 1 | 3.05 |
| 568-370 | 8-1/4 | 8-5/8 | 3/16 | 8.225 ±.050 | .210 ±.005 | 1 | 3.39 |
| 568-371 | 8-1/2 | 8-7/8 | 3/16 | 8.475 ±.050 | .210 ±.005 | 1 | 3.53 |
| 568-372 | 8-3/4 | 9-1/8 | 3/16 | 8.725 ±.050 | .210 ±.005 | 1 | 3.59 |
| 568-373 | 9 | 9-3/8 | 3/16 | 8.975 ±.050 | .210 ±.005 | 1 | 3.92 |
| 568-374 | 9-1/4 | 9-5/8 | 3/16 | 9.225 ±.055 | .210 ±.005 | 1 | 4.00 |
| 568-375 | 9-1/2 | 9-7/8 | 3/16 | 9.475 ±.055 | .210 ±.005 | 1 | 4.06 |
| 568-376 | 9-3/4 | 10-1/8 | 3/16 | 9.725 ±.055 | .210 ±.005 | 1 | 4.12 |
| 568-377 | 10 | 10-3/8 | 3/16 | 9.975 ±.055 | .210 ±.005 | 1 | 4.12 |
| 568-378 | 10-1/2 | 10-7/8 | 3/16 | 10.475 ±.060 | .210 ±.005 | 1 | 5.23 |
| 568-379 | 11 | 11-3/8 | 3/16 | 10.975 ±.060 | .210 ±.005 | 1 | 5.55 |
| 568-380 | 11-1/2 | 11-7/8 | 3/16 | 11.475 ±.065 | .210 ±.005 | 1 | 5.69 |
| 568-381 | 12 | 12-3/8 | 3/16 | 11.975 ±.065 | .210 ±.005 | 1 | 5.89 |
| 568-382 | 13 | 13-3/8 | 3/16 | 12.975 ±.065 | .210 ±.005 | 1 | 5.89 |
| 568-383 | 14 | 14-3/8 | 3/16 | 13.975 ±.070 | .210 ±.005 | 1 | 7.85 |
| 568-384 | 15 | 15-3/8 | 3/16 | 14.975 ±.070 | .210 ±.005 | 1 | 7.85 |
| 568-385 | 16 | 16-3/8 | 3/16 | 15.955 ±.075 | .210 ±.005 | 1 | 9.16 |
| 568-386 | 17 | 17-3/8 | 3/16 | 16.955 ±.080 | .210 ±.005 | 1 | 9.81 |
| 568-387 | 18 | 18-3/8 | 3/16 | 17.955 ±.085 | .210 ±.005 | 1 | 11.12 |
| 568-388 | 19 | 19-3/8 | 3/16 | 18.955 ±.090 | .210 ±.005 | 1 | 11.44 |
| 568-389 | 20 | 20-3/8 | 3/16 | 19.955 ±.095 | .210 ±.005 | 1 | 11.44 |
| 568-390 | 21 | 21-3/8 | 3/16 | 20.955 ±.095 | .210 ±.005 | 1 | 11.44 |
| 568-391 | 22 | 22-3/8 | 3/16 | 21.955 ±.100 | .210 ±.005 | 1 | 11.77 |
| 568-392 | 23 | 23-3/8 | 3/16 | 22.940 ±.105 | .210 ±.005 | 1 | 11.77 |
| 568-393 | 24 | 24-3/8 | 3/16 | 23.940 ±.110 | .210 ±.005 | 1 | 18.95 |
| 568-394 | 25 | 25-3/8 | 3/16 | 24.940 ±.115 | .210 ±.005 | 1 | 18.97 |
| 568-395 | 26 | 26-3/8 | 3/16 | 25.940 ±.120 | .210 ±.005 | 1 | 20.93 |
| 1/4" C/S | | | | | | | |
| 568-400 | 1-3/8 | 1-7/8 | 1/4 | 1.225 ±.012 | .275 ±.006 | 5 | \$3.07 |
| 568-401 | 1-1/2 | 2 | 1/4 | 1.475 ±.014 | .275 ±.006 | 5 | 3.11 |
| 568-402 | 1-5/8 | 2-1/8 | 1/4 | 1.600 ±.015 | .275 ±.006 | 5 | 3.20 |
| 568-403 | 1-3/4 | 2-1/4 | 1/4 | 1.725 ±.016 | .275 ±.006 | 5 | 3.21 |
| 568-404 | 1-7/8 | 2-3/8 | 1/4 | 1.850 ±.016 | .275 ±.006 | 5 | 3.26 |
| 568-405 | 2 | 2-1/2 | 1/4 | 1.975 ±.017 | .275 ±.006 | 5 | 3.31 |
| 568-406 | 2-1/8 | 2-5/8 | 1/4 | 2.100 ±.018 | .275 ±.006 | 5 | 3.35 |
| 568-407 | 2-1/4 | 2-3/4 | 1/4 | 2.225 ±.018 | .275 ±.006 | 5 | 3.42 |
| 568-408 | 2-3/8 | 2-7/8 | 1/4 | 2.350 ±.020 | .275 ±.006 | 5 | 3.46 |
| 568-409 | 2-1/2 | 3 | 1/4 | 2.475 ±.020 | .275 ±.006 | 5 | 3.53 |
| 568-410 | 2-5/8 | 3-1/8 | 1/4 | 2.600 ±.020 | .275 ±.006 | 5 | 3.58 |
| 568-411 | 2-3/4 | 3-1/4 | 1/4 | 2.725 ±.022 | .275 ±.006 | 5 | 3.63 |
| 568-412 | 2-7/8 | 3-3/8 | 1/4 | 2.850 ±.022 | .275 ±.006 | 5 | 3.68 |
| 568-413 | 3 | 3-1/2 | 1/4 | 2.975 ±.024 | .275 ±.006 | 5 | 3.71 |
| 568-414 | 3-1/8 | 3-5/8 | 1/4 | 3.100 ±.024 | .275 ±.006 | 5 | 3.76 |
| 568-415 | 3-1/4 | 3-3/4 | 1/4 | 3.225 ±.024 | .275 ±.006 | 5 | 3.83 |
| 568-416 | 3-3/8 | 3-7/8 | 1/4 | 3.350 ±.026 | .275 ±.006 | 5 | 3.87 |
| 568-417 | 3-1/2 | 4 | 1/4 | 3.475 ±.026 | .275 ±.006 | 5 | 3.93 |
| 568-418 | 3-5/8 | 4-1/8 | 1/4 | 3.600 ±.026 | .275 ±.006 | 5 | 3.98 |
| 568-419 | 3-3/4 | 4-1/4 | 1/4 | 3.725 ±.028 | .275 ±.006 | 5 | 4.02 |
| 568-420 | 3-7/8 | 4-3/8 | 1/4 | 3.850 ±.028 | .275 ±.006 | 5 | 4.08 |
| 568-421 | 4 | 4-1/2 | 1/4 | 3.975 ±.028 | .275 ±.006 | 5 | 4.17 |

FORMERLY LISTED SEALS ARE AVAILABLE ONLINE AT WWW.HERCULESUS.COM
OR BY CONTACTING YOUR REGIONAL HERCULES SALES TEAM.

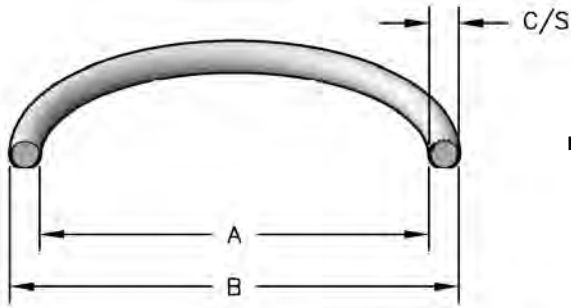


STYLE 568, 70 DURO BUNA-N O-RINGS

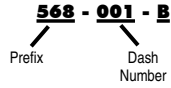
O-RINGS

| Part Number | A Nom. ID | B Nom. OD | C Nom. Ht | INSIDE DIAMETER | CROSS SECTION | Package Quantity | List Price |
|-------------|-----------|-----------|-----------|-----------------|---------------|------------------|------------|
| 568-422 | 4-1/8 | 4-5/8 | 1/4 | 4.100 ±.030 | .275 ±.006 | 5 | 4.23 |
| 568-423 | 4-1/4 | 4-3/4 | 1/4 | 4.225 ±.030 | .275 ±.006 | 5 | 4.32 |
| 568-424 | 4-3/8 | 4-7/8 | 1/4 | 4.350 ±.030 | .275 ±.006 | 5 | 4.44 |
| 568-425 | 4-1/2 | 5 | 1/4 | 4.475 ±.033 | .275 ±.006 | 5 | 1.64 |
| 568-426 | 4-5/8 | 5-1/8 | 1/4 | 4.600 ±.033 | .275 ±.006 | 5 | 1.64 |
| 568-427 | 4-3/4 | 5-1/4 | 1/4 | 4.725 ±.033 | .275 ±.006 | 5 | 1.64 |
| 568-428 | 4-7/8 | 5-3/8 | 1/4 | 4.850 ±.033 | .275 ±.006 | 5 | 1.76 |
| 568-429 | 5 | 5-1/2 | 1/4 | 4.975 ±.037 | .275 ±.006 | 5 | 1.84 |
| 568-430 | 5-1/8 | 5-5/8 | 1/4 | 5.100 ±.037 | .275 ±.006 | 5 | 1.84 |
| 568-431 | 5-1/4 | 5-3/4 | 1/4 | 5.225 ±.037 | .275 ±.006 | 5 | 2.10 |
| 568-432 | 5-3/8 | 5-7/8 | 1/4 | 5.350 ±.037 | .275 ±.006 | 5 | 2.13 |
| 568-433 | 5-1/2 | 6 | 1/4 | 5.475 ±.037 | .275 ±.006 | 5 | 2.13 |
| 568-434 | 5-5/8 | 6-1/8 | 1/4 | 5.600 ±.037 | .275 ±.006 | 5 | 2.16 |
| 568-435 | 5-3/4 | 6-1/4 | 1/4 | 5.725 ±.037 | .275 ±.006 | 5 | 2.28 |
| 568-436 | 5-7/8 | 6-3/8 | 1/4 | 5.850 ±.037 | .275 ±.006 | 5 | 2.28 |
| 568-437 | 6 | 6-1/2 | 1/4 | 5.975 ±.037 | .275 ±.006 | 5 | 2.47 |
| 568-438 | 6-1/4 | 6-3/4 | 1/4 | 6.225 ±.040 | .275 ±.006 | 5 | 2.63 |
| 568-439 | 6-1/2 | 7 | 1/4 | 6.475 ±.040 | .275 ±.006 | 5 | 2.74 |
| 568-440 | 6-3/4 | 7-1/4 | 1/4 | 6.725 ±.040 | .275 ±.006 | 1 | 2.94 |
| 568-441 | 7 | 7-1/2 | 1/4 | 6.975 ±.040 | .275 ±.006 | 1 | 3.21 |
| 568-442 | 7-1/4 | 7-3/4 | 1/4 | 7.225 ±.045 | .275 ±.006 | 1 | 3.27 |
| 568-443 | 7-1/2 | 8 | 1/4 | 7.475 ±.045 | .275 ±.006 | 1 | 3.39 |
| 568-444 | 7-3/4 | 8-1/4 | 1/4 | 7.725 ±.045 | .275 ±.006 | 1 | 3.59 |
| 568-445 | 8 | 8-1/2 | 1/4 | 7.975 ±.045 | .275 ±.006 | 1 | 3.73 |
| 568-446 | 8-1/2 | 9 | 1/4 | 8.475 ±.055 | .275 ±.006 | 1 | 3.86 |
| 568-447 | 9 | 9-1/2 | 1/4 | 8.975 ±.055 | .275 ±.006 | 1 | 4.06 |
| 568-448 | 9-1/2 | 10 | 1/4 | 9.475 ±.055 | .275 ±.006 | 1 | 4.06 |
| 568-449 | 10 | 10-1/2 | 1/4 | 9.975 ±.055 | .275 ±.006 | 1 | 4.06 |
| 568-450 | 10-1/2 | 11 | 1/4 | 10.475 ±.060 | .275 ±.006 | 1 | 4.91 |
| 568-451 | 11 | 11-1/2 | 1/4 | 10.975 ±.060 | .275 ±.006 | 1 | 5.10 |
| 568-452 | 11-1/2 | 12 | 1/4 | 11.475 ±.060 | .275 ±.006 | 1 | 5.55 |
| 568-453 | 12 | 12-1/2 | 1/4 | 11.975 ±.060 | .275 ±.006 | 1 | 5.89 |
| 568-454 | 12-1/2 | 13 | 1/4 | 12.475 ±.060 | .275 ±.006 | 1 | 6.22 |
| 568-455 | 13 | 13-1/2 | 1/4 | 12.975 ±.060 | .275 ±.006 | 1 | 7.85 |
| 568-456 | 13-1/2 | 14 | 1/4 | 13.475 ±.070 | .275 ±.006 | 1 | 7.85 |
| 568-457 | 14 | 14-1/2 | 1/4 | 13.975 ±.070 | .275 ±.006 | 1 | 7.85 |
| 568-458 | 14-1/2 | 15 | 1/4 | 14.475 ±.070 | .275 ±.006 | 1 | 7.85 |
| 568-459 | 15 | 15-1/2 | 1/4 | 14.975 ±.070 | .275 ±.006 | 1 | 8.11 |
| 568-460 | 15-1/2 | 16 | 1/4 | 15.475 ±.070 | .275 ±.006 | 1 | 8.50 |
| 568-461 | 16 | 16-1/2 | 1/4 | 15.955 ±.075 | .275 ±.006 | 1 | 9.49 |
| 568-462 | 16-1/2 | 17 | 1/4 | 16.455 ±.075 | .275 ±.006 | 1 | 9.81 |
| 568-463 | 17 | 17-1/2 | 1/4 | 16.955 ±.080 | .275 ±.006 | 1 | 10.45 |
| 568-464 | 17-1/2 | 18 | 1/4 | 17.455 ±.085 | .275 ±.006 | 1 | 11.12 |
| 568-465 | 18 | 18-1/2 | 1/4 | 17.955 ±.085 | .275 ±.006 | 1 | 12.43 |
| 568-466 | 18-1/2 | 19 | 1/4 | 18.455 ±.085 | .275 ±.006 | 1 | 12.43 |
| 568-467 | 19 | 19-1/2 | 1/4 | 18.955 ±.090 | .275 ±.006 | 1 | 12.43 |
| 568-468 | 19-1/2 | 20 | 1/4 | 19.455 ±.090 | .275 ±.006 | 1 | 13.08 |
| 568-469 | 20 | 20-1/2 | 1/4 | 19.955 ±.090 | .275 ±.006 | 1 | 13.06 |
| 568-470 | 21 | 21-1/2 | 1/4 | 20.955 ±.090 | .275 ±.006 | 1 | 13.09 |
| 568-471 | 22 | 22-1/2 | 1/4 | 21.955 ±.100 | .275 ±.006 | 1 | 13.24 |
| 568-472 | 23 | 23-1/2 | 1/4 | 22.940 ±.105 | .275 ±.006 | 1 | 13.31 |
| 568-473 | 24 | 24-1/2 | 1/4 | 23.940 ±.110 | .275 ±.006 | 1 | 13.38 |
| 568-474 | 25 | 25-1/2 | 1/4 | 24.940 ±.115 | .275 ±.006 | 1 | 13.53 |
| 568-475 | 26 | 26-1/2 | 1/4 | 25.940 ±.120 | .275 ±.006 | 1 | 13.68 |

STYLE 568, BULK 70 DURO BUNA-N O-RINGS



HERCULES PART NUMBERS



| SEAL INFORMATION | |
|-------------------|---|
| MATERIAL | BUNA-N RUBBER |
| TEMPERATURE RANGE | -40° TO +240° F |
| PRESSURE RANGE | VARIES ACCORDING TO DIAMETRAL CLEARANCE |

O-RINGS

| Part Number | A Nom. ID | B Nom. OD | C Nom. Ht | INSIDE DIAMETER | CROSS SECTION | Package Quantity | List Price |
|------------------|-----------|-----------|-----------|-----------------|---------------|------------------|------------|
| 1/32" C/S | | | | | | | |
| 568-001-B | 1/32 | 3/32 | 1/32 | .029 ±.004 | .040 ±.003 | 1000 | \$0.0589 |
| 3/64" C/S | | | | | | | |
| 568-002-B | 3/64 | 9/64 | 3/64 | .042 ±.004 | .050 ±.003 | 1000 | \$0.0589 |
| 1/16" C/S | | | | | | | |
| 568-003-B | 1/16 | 3/16 | 1/16 | .056 ±.004 | .060 ±.003 | 1000 | \$0.0589 |
| 568-004-B | 5/64 | 13/64 | 1/16 | .070 ±.005 | .070 ±.003 | 1000 | 0.0589 |
| 568-005-B | 3/32 | 7/32 | 1/16 | .101 ±.005 | .070 ±.003 | 1000 | 0.0589 |
| 568-006-B | 1/8 | 1/4 | 1/16 | .114 ±.005 | .070 ±.003 | 1000 | 0.0295 |
| 568-007-B | 5/32 | 9/32 | 1/16 | .145 ±.005 | .070 ±.003 | 1000 | 0.0295 |
| 568-008-B | 3/16 | 5/16 | 1/16 | .176 ±.005 | .070 ±.003 | 1000 | 0.0295 |
| 568-009-B | 7/32 | 11/32 | 1/16 | .208 ±.005 | .070 ±.003 | 1000 | 0.0295 |
| 568-010-B | 1/4 | 3/8 | 1/16 | .239 ±.005 | .070 ±.003 | 1000 | 0.0589 |
| 568-011-B | 5/16 | 7/16 | 1/16 | .301 ±.005 | .070 ±.003 | 1000 | 0.0589 |
| 568-012-B | 3/8 | 1/2 | 1/16 | .364 ±.005 | .070 ±.003 | 1000 | 0.0589 |
| 568-013-B | 7/16 | 9/16 | 1/16 | .426 ±.005 | .070 ±.003 | 1000 | 0.0589 |
| 568-014-B | 1/2 | 5/8 | 1/16 | .489 ±.005 | .070 ±.003 | 1000 | 0.0589 |
| 568-015-B | 9/16 | 11/16 | 1/16 | .551 ±.007 | .070 ±.003 | 1000 | 0.0736 |
| 568-016-B | 5/8 | 3/4 | 1/16 | .614 ±.009 | .070 ±.003 | 1000 | 0.0736 |
| 568-017-B | 11/16 | 13/16 | 1/16 | .676 ±.009 | .070 ±.003 | 1000 | 0.0884 |
| 568-018-B | 3/4 | 7/8 | 1/16 | .739 ±.009 | .070 ±.003 | 1000 | 0.0884 |
| 568-019-B | 13/16 | 15/16 | 1/16 | .801 ±.009 | .070 ±.003 | 1000 | 0.1032 |
| 568-020-B | 7/8 | 1 | 1/16 | .864 ±.009 | .070 ±.003 | 1000 | 0.1032 |
| 568-021-B | 15/16 | 1-1/16 | 1/16 | .926 ±.009 | .070 ±.003 | 1000 | 0.1032 |
| 568-022-B | 1 | 1-1/8 | 1/16 | .989 ±.010 | .070 ±.003 | 1000 | 0.1032 |
| 568-023-B | 1-1/16 | 1-3/16 | 1/16 | 1.051 ±.010 | .070 ±.003 | 1000 | 0.1178 |
| 568-024-B | 1-1/8 | 1-1/4 | 1/16 | 1.114 ±.010 | .070 ±.003 | 1000 | 0.1178 |
| 568-025-B | 1-3/16 | 1-5/16 | 1/16 | 1.176 ±.011 | .070 ±.003 | 1000 | 0.1568 |
| 568-026-B | 1-1/4 | 1-3/8 | 1/16 | 1.239 ±.011 | .070 ±.003 | 1000 | 0.1725 |
| 568-027-B | 1-5/16 | 1-7/16 | 1/16 | 1.301 ±.011 | .070 ±.003 | 1000 | 0.1725 |
| 568-028-B | 1-3/8 | 1-1/2 | 1/16 | 1.364 ±.013 | .070 ±.003 | 400 | 0.1725 |
| 568-029-B | 1-1/2 | 1-5/8 | 1/16 | 1.489 ±.013 | .070 ±.003 | 400 | 0.1883 |
| 568-030-B | 1-5/8 | 1-3/4 | 1/16 | 1.614 ±.013 | .070 ±.003 | 400 | 0.2194 |
| 568-031-B | 1-3/4 | 1-7/8 | 1/16 | 1.739 ±.015 | .070 ±.003 | 400 | 0.251 |
| 568-032-B | 1-7/8 | 2 | 1/16 | 1.864 ±.015 | .070 ±.003 | 400 | 0.2822 |
| 568-033-B | 2 | 2-1/8 | 1/16 | 1.989 ±.018 | .070 ±.003 | 400 | 0.3451 |
| 568-034-B | 2-1/8 | 2-1/4 | 1/16 | 2.114 ±.018 | .070 ±.003 | 400 | 0.3763 |
| 568-035-B | 2-1/4 | 2-3/8 | 1/16 | 2.239 ±.018 | .070 ±.003 | 400 | 0.3763 |
| 568-036-B | 2-3/8 | 2-1/2 | 1/16 | 2.364 ±.018 | .070 ±.003 | 400 | 0.3922 |
| 568-037-B | 2-1/2 | 2-5/8 | 1/16 | 2.489 ±.018 | .070 ±.003 | 400 | 0.3922 |
| 568-038-B | 2-5/8 | 2-3/4 | 1/16 | 2.614 ±.020 | .070 ±.003 | 400 | 0.4392 |
| 568-039-B | 2-3/4 | 2-7/8 | 1/16 | 2.739 ±.020 | .070 ±.003 | 400 | 0.4547 |
| 568-040-B | 2-7/8 | 3 | 1/16 | 2.864 ±.020 | .070 ±.003 | 400 | 0.4704 |

FORMERLY LISTED SEALS ARE AVAILABLE ONLINE AT WWW.HERCULESUS.COM
OR BY CONTACTING YOUR REGIONAL HERCULES SALES TEAM.



STYLE 568, BULK 70 DURO BUNA-N O-RINGS

O-RINGS

| Part Number | A Nom. ID | B Nom. OD | C Nom. Ht | INSIDE DIAMETER | CROSS SECTION | Package Quantity | List Price |
|------------------|-----------|-----------|-----------|-----------------|---------------|------------------|------------|
| 568-041-B | 3 | 3-1/8 | 1/16 | 2.989 ±.024 | .070 ±.003 | 400 | 0.5491 |
| 568-042-B | 3-1/4 | 3-3/8 | 1/16 | 3.239 ±.024 | .070 ±.003 | 400 | 0.5961 |
| 568-043-B | 3-1/2 | 3-5/8 | 1/16 | 3.489 ±.024 | .070 ±.003 | 400 | 0.6274 |
| 568-044-B | 3-3/4 | 3-7/8 | 1/16 | 3.739 ±.027 | .070 ±.003 | 400 | 0.7371 |
| 568-045-B | 4 | 4-1/8 | 1/16 | 3.989 ±.027 | .070 ±.003 | 400 | 0.7528 |
| 568-046-B | 4-1/4 | 4-3/8 | 1/16 | 4.239 ±.030 | .070 ±.003 | 200 | 0.8155 |
| 568-047-B | 4-1/2 | 4-5/8 | 1/16 | 4.489 ±.030 | .070 ±.003 | 200 | 0.8992 |
| 568-048-B | 4-3/4 | 4-7/8 | 1/16 | 4.739 ±.030 | .070 ±.003 | 200 | 1.0666 |
| 568-049-B | 5 | 5-1/8 | 1/16 | 4.989 ±.037 | .070 ±.003 | 200 | 1.3803 |
| 568-050-B | 5-1/4 | 5-3/8 | 1/16 | 5.239 ±.037 | .070 ±.003 | 200 | 1.3803 |
| 3/32" C/S | | | | | | | |
| 568-102-B | 1/16 | 1/4 | 3/32 | .049 ±.005 | .103 ±.003 | 1000 | \$0.0884 |
| 568-103-B | 3/32 | 9/32 | 3/32 | .081 ±.005 | .103 ±.003 | 1000 | 0.0884 |
| 568-104-B | 1/8 | 5/16 | 3/32 | .112 ±.005 | .103 ±.003 | 1000 | 0.0589 |
| 568-105-B | 5/32 | 11/32 | 3/32 | .143 ±.005 | .103 ±.003 | 1000 | 0.0589 |
| 568-106-B | 3/16 | 3/8 | 3/32 | .174 ±.005 | .103 ±.003 | 1000 | 0.0589 |
| 568-107-B | 7/32 | 13/32 | 3/32 | .206 ±.005 | .103 ±.003 | 1000 | 0.0589 |
| 568-108-B | 1/4 | 7/16 | 3/32 | .237 ±.005 | .103 ±.003 | 1000 | 0.1178 |
| 568-109-B | 5/16 | 1/2 | 3/32 | .299 ±.005 | .103 ±.003 | 1000 | 0.0589 |
| 568-110-B | 3/8 | 9/16 | 3/32 | .362 ±.005 | .103 ±.003 | 1000 | 0.0736 |
| 568-111-B | 7/16 | 5/8 | 3/32 | .424 ±.005 | .103 ±.003 | 1000 | 0.0736 |
| 568-112-B | 1/2 | 11/16 | 3/32 | .487 ±.005 | .103 ±.003 | 1000 | 0.0736 |
| 568-113-B | 9/16 | 3/4 | 3/32 | .549 ±.005 | .103 ±.003 | 1000 | 0.0736 |
| 568-114-B | 5/8 | 13/16 | 3/32 | .612 ±.009 | .103 ±.003 | 1000 | 0.0884 |
| 568-115-B | 11/16 | 7/8 | 3/32 | .674 ±.009 | .103 ±.003 | 1000 | 0.0884 |
| 568-116-B | 3/4 | 15/16 | 3/32 | .737 ±.009 | .103 ±.003 | 1000 | 0.0884 |
| 568-117-B | 13/16 | 1 | 3/32 | .799 ±.010 | .103 ±.003 | 1000 | 0.0884 |
| 568-118-B | 7/8 | 1-1/16 | 3/32 | .862 ±.010 | .103 ±.003 | 1000 | 0.1032 |
| 568-119-B | 15/16 | 1-1/8 | 3/32 | .924 ±.010 | .103 ±.003 | 1000 | 0.1032 |
| 568-120-B | 1 | 1-3/16 | 3/32 | .987 ±.010 | .103 ±.003 | 1000 | 0.1032 |
| 568-121-B | 1-1/16 | 1-1/4 | 3/32 | 1.049 ±.010 | .103 ±.003 | 1000 | 0.1178 |
| 568-122-B | 1-1/8 | 1-5/16 | 3/32 | 1.112 ±.010 | .103 ±.003 | 1000 | 0.1178 |
| 568-123-B | 1-3/16 | 1-3/8 | 3/32 | 1.174 ±.012 | .103 ±.003 | 1000 | 0.1178 |
| 568-124-B | 1-1/4 | 1-7/16 | 3/32 | 1.237 ±.012 | .103 ±.003 | 1000 | 0.1725 |
| 568-125-B | 1-5/16 | 1-1/2 | 3/32 | 1.299 ±.012 | .103 ±.003 | 1000 | 0.1725 |
| 568-126-B | 1-3/8 | 1-9/16 | 3/32 | 1.362 ±.012 | .103 ±.003 | 400 | 0.1883 |
| 568-127-B | 1-7/16 | 1-5/8 | 3/32 | 1.424 ±.012 | .103 ±.003 | 400 | 0.204 |
| 568-128-B | 1-1/2 | 1-11/16 | 3/32 | 1.487 ±.012 | .103 ±.003 | 400 | 0.2194 |
| 568-129-B | 1-9/16 | 1-3/4 | 3/32 | 1.549 ±.015 | .103 ±.003 | 400 | 0.2194 |
| 568-130-B | 1-5/8 | 1-13/16 | 3/32 | 1.612 ±.015 | .103 ±.003 | 400 | 0.251 |
| 568-131-B | 1-11/16 | 1-7/8 | 3/32 | 1.674 ±.015 | .103 ±.003 | 400 | 0.2665 |
| 568-132-B | 1-3/4 | 1-15/16 | 3/32 | 1.737 ±.015 | .103 ±.003 | 400 | 0.2665 |
| 568-133-B | 1-13/16 | 2 | 3/32 | 1.799 ±.015 | .103 ±.003 | 400 | 0.2822 |
| 568-134-B | 1-7/8 | 2-1/16 | 3/32 | 1.862 ±.015 | .103 ±.003 | 400 | 0.2822 |
| 568-135-B | 1-15/16 | 2-1/8 | 3/32 | 1.925 ±.017 | .103 ±.003 | 400 | 0.2822 |
| 568-136-B | 2 | 2-3/16 | 3/32 | 1.987 ±.017 | .103 ±.003 | 400 | 0.2981 |
| 568-137-B | 2-1/16 | 2-1/4 | 3/32 | 2.050 ±.017 | .103 ±.003 | 400 | 0.2981 |
| 568-138-B | 2-1/8 | 2-5/16 | 3/32 | 2.112 ±.017 | .103 ±.003 | 400 | 0.3451 |
| 568-139-B | 2-3/16 | 2-3/8 | 3/32 | 2.175 ±.017 | .103 ±.003 | 400 | 0.3451 |
| 568-140-B | 2-1/4 | 2-7/16 | 3/32 | 2.237 ±.017 | .103 ±.003 | 400 | 0.3451 |
| 568-141-B | 2-5/16 | 2-1/2 | 3/32 | 2.300 ±.020 | .103 ±.003 | 400 | 0.3922 |
| 568-142-B | 2-3/8 | 2-9/16 | 3/32 | 2.362 ±.020 | .103 ±.003 | 400 | 0.3922 |
| 568-143-B | 2-7/16 | 2-5/8 | 3/32 | 2.425 ±.020 | .103 ±.003 | 400 | 0.3922 |
| 568-144-B | 2-1/2 | 2-11/16 | 3/32 | 2.487 ±.020 | .103 ±.003 | 400 | 0.4392 |
| 568-145-B | 2-9/16 | 2-3/4 | 3/32 | 2.550 ±.020 | .103 ±.003 | 400 | 0.4392 |
| 568-146-B | 2-5/8 | 2-13/16 | 3/32 | 2.612 ±.020 | .103 ±.003 | 400 | 0.4392 |
| 568-147-B | 2-11/16 | 2-7/8 | 3/32 | 2.675 ±.022 | .103 ±.003 | 400 | 0.4392 |

NORTH AMERICA
PHONE 1-800-777-5617
FAX 1-800-759-6391

SALES OFFICE HOURS
8 A.M. TO 7:30 P.M. EASTERN TIME
www.HerculesUS.com

WORLDWIDE
PHONE 1-727-796-1300
FAX 1-727-797-8849



STYLE 568, BULK 70 DURO BUNA-N O-RINGS

O-RINGS

| Part Number | A Nom. ID | B Nom. OD | C Nom. Ht | INSIDE DIAMETER | CROSS SECTION | Package Quantity | List Price |
|-----------------|-----------|-----------|-----------|-----------------|---------------|------------------|------------|
| 568-148-B | 2-3/4 | 2-15/16 | 3/32 | 2.737 ±.022 | .103 ±.003 | 400 | 0.4392 |
| 568-149-B | 2-13/16 | 3 | 3/32 | 2.800 ±.022 | .103 ±.003 | 400 | 0.4547 |
| 568-150-B | 2-7/8 | 3-1/16 | 3/32 | 2.862 ±.022 | .103 ±.003 | 400 | 0.4547 |
| 568-151-B | 3 | 3-3/16 | 3/32 | 2.987 ±.024 | .103 ±.003 | 400 | 0.5021 |
| 568-152-B | 3-1/4 | 3-7/16 | 3/32 | 3.237 ±.024 | .103 ±.003 | 400 | 0.5961 |
| 568-153-B | 3-1/2 | 3-11/16 | 3/32 | 3.487 ±.024 | .103 ±.003 | 400 | 0.6274 |
| 568-154-B | 3-3/4 | 3-15/16 | 3/32 | 3.737 ±.028 | .103 ±.003 | 400 | 0.6274 |
| 568-155-B | 4 | 4-3/16 | 3/32 | 3.987 ±.028 | .103 ±.003 | 200 | 0.8155 |
| 568-156-B | 4-1/4 | 4-7/16 | 3/32 | 4.237 ±.030 | .103 ±.003 | 200 | 1.0036 |
| 568-157-B | 4-1/2 | 4-11/16 | 3/32 | 4.487 ±.030 | .103 ±.003 | 200 | 1.0351 |
| 568-158-B | 4-3/4 | 4-15/16 | 3/32 | 4.737 ±.030 | .103 ±.003 | 200 | 1.0666 |
| 568-159-B | 5 | 5-3/16 | 3/32 | 4.987 ±.035 | .103 ±.003 | 200 | 1.1605 |
| 568-160-B | 5-1/4 | 5-7/16 | 3/32 | 5.237 ±.035 | .103 ±.003 | 200 | 1.2389 |
| 568-161-B | 5-1/2 | 5-11/16 | 3/32 | 5.487 ±.035 | .103 ±.003 | 200 | 1.3803 |
| 568-162-B | 5-3/4 | 5-15/16 | 3/32 | 5.737 ±.035 | .103 ±.003 | 200 | 1.6311 |
| 568-163-B | 6 | 6-3/16 | 3/32 | 5.987 ±.035 | .103 ±.003 | 200 | 1.6939 |
| 568-164-B | 6-1/4 | 6-7/16 | 3/32 | 6.237 ±.040 | .103 ±.003 | 200 | 1.882 |
| 568-165-B | 6-1/2 | 6-11/16 | 3/32 | 6.487 ±.040 | .103 ±.003 | 200 | 1.945 |
| 568-166-B | 6-3/4 | 6-15/16 | 3/32 | 6.737 ±.040 | .103 ±.003 | 200 | 1.945 |
| 568-167-B | 7 | 7-3/16 | 3/32 | 6.987 ±.040 | .103 ±.003 | 200 | 1.945 |
| 568-168-B | 7-1/4 | 7-7/16 | 3/32 | 7.237 ±.045 | .103 ±.003 | 200 | 2.133 |
| 568-169-B | 7-1/2 | 7-11/16 | 3/32 | 7.487 ±.045 | .103 ±.003 | 200 | 2.1956 |
| 568-170-B | 7-3/4 | 7-15/16 | 3/32 | 7.737 ±.045 | .103 ±.003 | 200 | 2.2584 |
| 568-171-B | 8 | 8-3/16 | 3/32 | 7.987 ±.045 | .103 ±.003 | 100 | 2.8231 |
| 568-172-B | 8-1/4 | 8-7/16 | 3/32 | 8.237 ±.050 | .103 ±.003 | 100 | 2.9329 |
| 568-173-B | 8-1/2 | 8-11/16 | 3/32 | 8.487 ±.050 | .103 ±.003 | 100 | 3.1368 |
| 568-174-B | 8-3/4 | 8-15/16 | 3/32 | 8.737 ±.050 | .103 ±.003 | 100 | 3.4501 |
| 568-175-B | 9 | 9-3/16 | 3/32 | 8.987 ±.050 | .103 ±.003 | 100 | 3.764 |
| 568-176-B | 9-1/4 | 9-7/16 | 3/32 | 9.237 ±.055 | .103 ±.003 | 100 | 4.062 |
| 568-177-B | 9-1/2 | 9-11/16 | 3/32 | 9.487 ±.055 | .103 ±.003 | 100 | 4.203 |
| 568-178-B | 9-3/4 | 9-15/16 | 3/32 | 9.737 ±.055 | .103 ±.003 | 100 | 4.3915 |
| 1/8" C/S | | | | | | | |
| 568-201-B | 3/16 | 7/16 | 1/8 | .171 ±.005 | .139 ±.004 | 1000 | \$0.0589 |
| 568-202-B | 1/4 | 1/2 | 1/8 | .234 ±.005 | .139 ±.004 | 1000 | 0.0589 |
| 568-203-B | 5/16 | 9/16 | 1/8 | .296 ±.005 | .139 ±.004 | 1000 | 0.0736 |
| 568-204-B | 3/8 | 5/8 | 1/8 | .359 ±.005 | .139 ±.004 | 1000 | 0.0736 |
| 568-205-B | 7/16 | 11/16 | 1/8 | .421 ±.005 | .139 ±.004 | 1000 | 0.0736 |
| 568-206-B | 1/2 | 3/4 | 1/8 | .484 ±.005 | .139 ±.004 | 1000 | 0.0884 |
| 568-207-B | 9/16 | 13/16 | 1/8 | .546 ±.007 | .139 ±.004 | 1000 | 0.0884 |
| 568-208-B | 5/8 | 7/8 | 1/8 | .609 ±.009 | .139 ±.004 | 1000 | 0.1032 |
| 568-209-B | 11/16 | 15/16 | 1/8 | .671 ±.009 | .139 ±.004 | 1000 | 0.1032 |
| 568-210-B | 3/4 | 1 | 1/8 | .734 ±.010 | .139 ±.004 | 1000 | 0.1032 |
| 568-211-B | 13/16 | 1-1/16 | 1/8 | .796 ±.010 | .139 ±.004 | 1000 | 0.1178 |
| 568-212-B | 7/8 | 1-1/8 | 1/8 | .859 ±.010 | .139 ±.004 | 1000 | 0.1178 |
| 568-213-B | 15/16 | 1-3/16 | 1/8 | .921 ±.010 | .139 ±.004 | 1000 | 0.1178 |
| 568-214-B | 1 | 1-1/4 | 1/8 | .984 ±.010 | .139 ±.004 | 1000 | 0.1568 |
| 568-215-B | 1-1/16 | 1-5/16 | 1/8 | 1.046 ±.010 | .139 ±.004 | 1000 | 0.1725 |
| 568-216-B | 1-1/8 | 1-3/8 | 1/8 | 1.109 ±.012 | .139 ±.004 | 1000 | 0.1725 |
| 568-217-B | 1-3/16 | 1-7/16 | 1/8 | 1.171 ±.012 | .139 ±.004 | 1000 | 0.1883 |
| 568-218-B | 1-1/4 | 1-1/2 | 1/8 | 1.234 ±.012 | .139 ±.004 | 1000 | 0.1883 |
| 568-219-B | 1-5/16 | 1-9/16 | 1/8 | 1.296 ±.012 | .139 ±.004 | 1000 | 0.1883 |
| 568-220-B | 1-3/8 | 1-5/8 | 1/8 | 1.359 ±.012 | .139 ±.004 | 400 | 0.204 |
| 568-221-B | 1-7/16 | 1-11/16 | 1/8 | 1.421 ±.012 | .139 ±.004 | 400 | 0.2194 |
| 568-222-B | 1-1/2 | 1-3/4 | 1/8 | 1.484 ±.015 | .139 ±.004 | 400 | 0.251 |
| 568-223-B | 1-5/8 | 1-7/8 | 1/8 | 1.609 ±.015 | .139 ±.004 | 400 | 0.2822 |
| 568-224-B | 1-3/4 | 2 | 1/8 | 1.734 ±.015 | .139 ±.004 | 400 | 0.2981 |
| 568-225-B | 1-7/8 | 2-1/8 | 1/8 | 1.859 ±.018 | .139 ±.004 | 400 | 0.3136 |

FORMERLY LISTED SEALS ARE AVAILABLE ONLINE AT WWW.HERCULESUS.COM
OR BY CONTACTING YOUR REGIONAL HERCULES SALES TEAM.



STYLE 568, BULK 70 DURO BUNA-N O-RINGS

O-RINGS

| Part Number | A Nom. ID | B Nom. OD | C Nom. Ht | INSIDE DIAMETER | CROSS SECTION | Package Quantity | List Price |
|-------------|-----------|-----------|-----------|-----------------|---------------|------------------|------------|
| 568-226-B | 2 | 2-1/4 | 1/8 | 1.984 ±.018 | .139 ±.004 | 400 | 0.3763 |
| 568-227-B | 2-1/8 | 2-3/8 | 1/8 | 2.109 ±.018 | .139 ±.004 | 400 | 0.3763 |
| 568-228-B | 2-1/4 | 2-1/2 | 1/8 | 2.234 ±.020 | .139 ±.004 | 400 | 0.3922 |
| 568-229-B | 2-3/8 | 2-5/8 | 1/8 | 2.359 ±.020 | .139 ±.004 | 400 | 0.4392 |
| 568-230-B | 2-1/2 | 2-3/4 | 1/8 | 2.484 ±.020 | .139 ±.004 | 400 | 0.4704 |
| 568-231-B | 2-5/8 | 2-7/8 | 1/8 | 2.609 ±.020 | .139 ±.004 | 400 | 0.5021 |
| 568-232-B | 2-3/4 | 3 | 1/8 | 2.734 ±.024 | .139 ±.004 | 400 | 0.5021 |
| 568-233-B | 2-7/8 | 3-1/8 | 1/8 | 2.859 ±.024 | .139 ±.004 | 400 | 0.5331 |
| 568-234-B | 3 | 3-1/4 | 1/8 | 2.984 ±.024 | .139 ±.004 | 400 | 0.5647 |
| 568-235-B | 3-1/8 | 3-3/8 | 1/8 | 3.109 ±.024 | .139 ±.004 | 400 | 0.5961 |
| 568-236-B | 3-1/4 | 3-1/2 | 1/8 | 3.234 ±.024 | .139 ±.004 | 400 | 0.6274 |
| 568-237-B | 3-3/8 | 3-5/8 | 1/8 | 3.359 ±.024 | .139 ±.004 | 400 | 0.6274 |
| 568-238-B | 3-1/2 | 3-3/4 | 1/8 | 3.484 ±.024 | .139 ±.004 | 400 | 0.6587 |
| 568-239-B | 3-5/8 | 3-7/8 | 1/8 | 3.609 ±.028 | .139 ±.004 | 400 | 0.6587 |
| 568-240-B | 3-3/4 | 4 | 1/8 | 3.734 ±.028 | .139 ±.004 | 400 | 0.6743 |
| 568-241-B | 3-7/8 | 4-1/8 | 1/8 | 3.859 ±.028 | .139 ±.004 | 400 | 0.69 |
| 568-242-B | 4 | 4-1/4 | 1/8 | 3.984 ±.028 | .139 ±.004 | 200 | 0.7528 |
| 568-243-B | 4-1/8 | 4-3/8 | 1/8 | 4.109 ±.028 | .139 ±.004 | 200 | 0.8155 |
| 568-244-B | 4-1/4 | 4-1/2 | 1/8 | 4.234 ±.030 | .139 ±.004 | 200 | 0.8468 |
| 568-245-B | 4-3/8 | 4-5/8 | 1/8 | 4.359 ±.030 | .139 ±.004 | 200 | 0.941 |
| 568-246-B | 4-1/2 | 4-3/4 | 1/8 | 4.484 ±.030 | .139 ±.004 | 200 | 1.0666 |
| 568-247-B | 4-5/8 | 4-7/8 | 1/8 | 4.609 ±.030 | .139 ±.004 | 200 | 1.0978 |
| 568-248-B | 4-3/4 | 5 | 1/8 | 4.734 ±.030 | .139 ±.004 | 200 | 1.1291 |
| 568-249-B | 4-7/8 | 5-1/8 | 1/8 | 4.859 ±.035 | .139 ±.004 | 200 | 1.1919 |
| 568-250-B | 5 | 5-1/4 | 1/8 | 4.984 ±.035 | .139 ±.004 | 200 | 1.1919 |
| 568-251-B | 5-1/8 | 5-3/8 | 1/8 | 5.109 ±.035 | .139 ±.004 | 200 | 1.2389 |
| 568-252-B | 5-1/4 | 5-1/2 | 1/8 | 5.234 ±.035 | .139 ±.004 | 200 | 1.2389 |
| 568-253-B | 5-3/8 | 5-5/8 | 1/8 | 5.359 ±.035 | .139 ±.004 | 200 | 1.3172 |
| 568-254-B | 5-1/2 | 5-3/4 | 1/8 | 5.484 ±.035 | .139 ±.004 | 200 | 1.4429 |
| 568-255-B | 5-5/8 | 5-7/8 | 1/8 | 5.609 ±.035 | .139 ±.004 | 200 | 1.5058 |
| 568-256-B | 5-3/4 | 6 | 1/8 | 5.734 ±.035 | .139 ±.004 | 200 | 1.5682 |
| 568-257-B | 5-7/8 | 6-1/8 | 1/8 | 5.859 ±.035 | .139 ±.004 | 200 | 1.6311 |
| 568-258-B | 6 | 6-1/4 | 1/8 | 5.984 ±.035 | .139 ±.004 | 200 | 1.6939 |
| 568-259-B | 6-1/4 | 6-1/2 | 1/8 | 6.234 ±.040 | .139 ±.004 | 200 | 1.882 |
| 568-260-B | 6-1/2 | 6-3/4 | 1/8 | 6.484 ±.040 | .139 ±.004 | 200 | 1.882 |
| 568-261-B | 6-3/4 | 7 | 1/8 | 6.734 ±.040 | .139 ±.004 | 200 | 2.0075 |
| 568-262-B | 7 | 7-1/4 | 1/8 | 6.984 ±.040 | .139 ±.004 | 200 | 2.0703 |
| 568-263-B | 7-1/4 | 7-1/2 | 1/8 | 7.234 ±.045 | .139 ±.004 | 200 | 2.2584 |
| 568-264-B | 7-1/2 | 7-3/4 | 1/8 | 7.484 ±.045 | .139 ±.004 | 200 | 2.3212 |
| 568-265-B | 7-3/4 | 8 | 1/8 | 7.734 ±.045 | .139 ±.004 | 200 | 2.5095 |
| 568-266-B | 8 | 8-1/4 | 1/8 | 7.984 ±.045 | .139 ±.004 | 100 | 2.572 |
| 568-267-B | 8-1/4 | 8-1/2 | 1/8 | 8.234 ±.050 | .139 ±.004 | 100 | 2.6348 |
| 568-268-B | 8-1/2 | 8-3/4 | 1/8 | 8.484 ±.050 | .139 ±.004 | 100 | 2.8857 |
| 568-269-B | 8-3/4 | 9 | 1/8 | 8.734 ±.050 | .139 ±.004 | 100 | 3.1368 |
| 568-270-B | 9 | 9-1/4 | 1/8 | 8.984 ±.050 | .139 ±.004 | 100 | 3.1368 |
| 568-271-B | 9-1/4 | 9-1/2 | 1/8 | 9.234 ±.055 | .139 ±.004 | 100 | 3.1368 |
| 568-272-B | 9-1/2 | 9-3/4 | 1/8 | 9.484 ±.055 | .139 ±.004 | 100 | 3.1368 |
| 568-273-B | 9-3/4 | 10 | 1/8 | 9.734 ±.055 | .139 ±.004 | 100 | 3.1368 |
| 568-274-B | 10 | 10-1/4 | 1/8 | 9.984 ±.055 | .139 ±.004 | 100 | 3.1368 |
| 568-275-B | 10-1/2 | 10-3/4 | 1/8 | 10.484 ±.055 | .139 ±.004 | 100 | 3.4504 |
| 568-276-B | 11 | 11-1/4 | 1/8 | 10.984 ±.065 | .139 ±.004 | 100 | 3.764 |
| 568-277-B | 11-1/2 | 11-3/4 | 1/8 | 11.484 ±.065 | .139 ±.004 | 100 | 3.764 |
| 568-278-B | 12 | 12-1/4 | 1/8 | 11.984 ±.065 | .139 ±.004 | 100 | 4.062 |
| 568-279-B | 13 | 13-1/4 | 1/8 | 12.984 ±.065 | .139 ±.004 | 100 | 5.0186 |
| 568-280-B | 14 | 14-1/4 | 1/8 | 13.984 ±.065 | .139 ±.004 | 100 | 6.148 |
| 568-281-B | 15 | 15-1/4 | 1/8 | 14.984 ±.065 | .139 ±.004 | 100 | 7.2145 |
| 568-282-B | 16 | 16-1/4 | 1/8 | 15.955 ±.075 | .139 ±.004 | 100 | 7.8419 |



STYLE 568, BULK 70 DURO BUNA-N O-RINGS

O-RINGS

| Part Number | A Nom. ID | B Nom. OD | C Nom. Ht | INSIDE DIAMETER | CROSS SECTION | Package Quantity | List Price |
|------------------|-----------|-----------|-----------|-----------------|---------------|------------------|------------|
| 568-283-B | 17 | 17-1/4 | 1/8 | 16.955 ±.080 | .139 ±.004 | 100 | 8.7829 |
| 568-284-B | 18 | 18-1/4 | 1/8 | 17.955 ±.085 | .139 ±.004 | 100 | 10.0374 |
| 3/16" C/S | | | | | | | |
| 568-309-B | 7/16 | 13/16 | 3/16 | .412 ±.005 | .210 ±.005 | 1000 | \$0.1568 |
| 568-310-B | 1/2 | 7/8 | 3/16 | .475 ±.005 | .210 ±.005 | 1000 | 0.1725 |
| 568-311-B | 9/16 | 15/16 | 3/16 | .537 ±.007 | .210 ±.005 | 1000 | 0.1725 |
| 568-312-B | 5/8 | 1 | 3/16 | .600 ±.009 | .210 ±.005 | 1000 | 0.204 |
| 568-313-B | 11/16 | 1-1/16 | 3/16 | .662 ±.009 | .210 ±.005 | 1000 | 0.204 |
| 568-314-B | 3/4 | 1-1/8 | 3/16 | .725 ±.010 | .210 ±.005 | 1000 | 0.204 |
| 568-315-B | 13/16 | 1-3/16 | 3/16 | .787 ±.010 | .210 ±.005 | 1000 | 0.2194 |
| 568-316-B | 7/8 | 1-1/4 | 3/16 | .850 ±.010 | .210 ±.005 | 1000 | 0.2194 |
| 568-317-B | 15/16 | 1-5/16 | 3/16 | .912 ±.010 | .210 ±.005 | 1000 | 0.2194 |
| 568-318-B | 1 | 1-3/8 | 3/16 | .975 ±.010 | .210 ±.005 | 1000 | 0.2194 |
| 568-319-B | 1-1/16 | 1-7/16 | 3/16 | 1.037 ±.010 | .210 ±.005 | 1000 | 0.2665 |
| 568-320-B | 1-1/8 | 1-1/2 | 3/16 | 1.100 ±.012 | .210 ±.005 | 1000 | 0.2822 |
| 568-321-B | 1-3/16 | 1-9/16 | 3/16 | 1.162 ±.012 | .210 ±.005 | 1000 | 0.2822 |
| 568-322-B | 1-1/4 | 1-5/8 | 3/16 | 1.225 ±.012 | .210 ±.005 | 1000 | 0.2822 |
| 568-323-B | 1-5/16 | 1-11/16 | 3/16 | 1.287 ±.012 | .210 ±.005 | 1000 | 0.2822 |
| 568-324-B | 1-3/8 | 1-3/4 | 3/16 | 1.350 ±.012 | .210 ±.005 | 400 | 0.2822 |
| 568-325-B | 1-1/2 | 1-7/8 | 3/16 | 1.475 ±.015 | .210 ±.005 | 400 | 0.3136 |
| 568-326-B | 1-5/8 | 2 | 3/16 | 1.600 ±.015 | .210 ±.005 | 400 | 0.3136 |
| 568-327-B | 1-3/4 | 2-1/8 | 3/16 | 1.725 ±.015 | .210 ±.005 | 400 | 0.3922 |
| 568-328-B | 1-7/8 | 2-1/4 | 3/16 | 1.850 ±.015 | .210 ±.005 | 400 | 0.4392 |
| 568-329-B | 2 | 2-3/8 | 3/16 | 1.975 ±.018 | .210 ±.005 | 400 | 0.4704 |
| 568-330-B | 2-1/8 | 2-1/2 | 3/16 | 2.100 ±.018 | .210 ±.005 | 400 | 0.5331 |
| 568-331-B | 2-1/4 | 2-5/8 | 3/16 | 2.225 ±.018 | .210 ±.005 | 400 | 0.5647 |
| 568-332-B | 2-3/8 | 2-3/4 | 3/16 | 2.350 ±.018 | .210 ±.005 | 400 | 0.6274 |
| 568-333-B | 2-1/2 | 2-7/8 | 3/16 | 2.475 ±.020 | .210 ±.005 | 400 | 0.6743 |
| 568-334-B | 2-5/8 | 3 | 3/16 | 2.600 ±.020 | .210 ±.005 | 400 | 0.69 |
| 568-335-B | 2-3/4 | 3-1/8 | 3/16 | 2.725 ±.020 | .210 ±.005 | 400 | 0.7528 |
| 568-336-B | 2-7/8 | 3-1/4 | 3/16 | 2.850 ±.020 | .210 ±.005 | 400 | 0.8155 |
| 568-337-B | 3 | 3-3/8 | 3/16 | 2.975 ±.024 | .210 ±.005 | 400 | 0.8468 |
| 568-338-B | 3-1/8 | 3-1/2 | 3/16 | 3.100 ±.024 | .210 ±.005 | 400 | 0.8468 |
| 568-339-B | 3-1/4 | 3-5/8 | 3/16 | 3.225 ±.024 | .210 ±.005 | 400 | 0.941 |
| 568-340-B | 3-3/8 | 3-3/4 | 3/16 | 3.350 ±.024 | .210 ±.005 | 400 | 1.0036 |
| 568-341-B | 3-1/2 | 3-7/8 | 3/16 | 3.475 ±.024 | .210 ±.005 | 400 | 1.0036 |
| 568-342-B | 3-5/8 | 4 | 3/16 | 3.600 ±.028 | .210 ±.005 | 400 | 1.0978 |
| 568-343-B | 3-3/4 | 4-1/8 | 3/16 | 3.725 ±.028 | .210 ±.005 | 400 | 1.1291 |
| 568-344-B | 3-7/8 | 4-1/4 | 3/16 | 3.850 ±.028 | .210 ±.005 | 400 | 1.1291 |
| 568-345-B | 4 | 4-3/8 | 3/16 | 3.975 ±.028 | .210 ±.005 | 200 | 1.2389 |
| 568-346-B | 4-1/8 | 4-1/2 | 3/16 | 4.100 ±.028 | .210 ±.005 | 200 | 1.2389 |
| 568-347-B | 4-1/4 | 4-5/8 | 3/16 | 4.225 ±.030 | .210 ±.005 | 200 | 1.2389 |
| 568-348-B | 4-3/8 | 4-3/4 | 3/16 | 4.350 ±.030 | .210 ±.005 | 200 | 1.2389 |
| 568-349-B | 4-1/2 | 4-7/8 | 3/16 | 4.475 ±.030 | .210 ±.005 | 200 | 1.3803 |
| 568-350-B | 4-5/8 | 5 | 3/16 | 4.600 ±.030 | .210 ±.005 | 200 | 1.4429 |
| 568-351-B | 4-3/4 | 5-1/8 | 3/16 | 4.725 ±.030 | .210 ±.005 | 200 | 1.4429 |
| 568-352-B | 4-7/8 | 5-1/4 | 3/16 | 4.850 ±.030 | .210 ±.005 | 200 | 1.5058 |
| 568-353-B | 5 | 5-3/8 | 3/16 | 4.975 ±.037 | .210 ±.005 | 200 | 1.5682 |
| 568-354-B | 5-1/8 | 5-1/2 | 3/16 | 5.100 ±.037 | .210 ±.005 | 200 | 1.6939 |
| 568-355-B | 5-1/4 | 5-5/8 | 3/16 | 5.225 ±.037 | .210 ±.005 | 200 | 1.882 |
| 568-356-B | 5-3/8 | 5-3/4 | 3/16 | 5.350 ±.037 | .210 ±.005 | 200 | 1.882 |
| 568-357-B | 5-1/2 | 5-7/8 | 3/16 | 5.475 ±.037 | .210 ±.005 | 200 | 1.945 |
| 568-358-B | 5-5/8 | 6 | 3/16 | 5.600 ±.037 | .210 ±.005 | 200 | 2.0703 |
| 568-359-B | 5-3/4 | 6-1/8 | 3/16 | 5.725 ±.037 | .210 ±.005 | 200 | 2.0703 |
| 568-360-B | 5-7/8 | 6-1/4 | 3/16 | 5.850 ±.037 | .210 ±.005 | 200 | 2.1956 |
| 568-361-B | 6 | 6-3/8 | 3/16 | 5.975 ±.037 | .210 ±.005 | 200 | 2.2584 |
| 568-362-B | 6-1/4 | 6-5/8 | 3/16 | 6.225 ±.040 | .210 ±.005 | 200 | 2.3212 |

FORMERLY LISTED SEALS ARE AVAILABLE ONLINE AT WWW.HERCULESUS.COM
OR BY CONTACTING YOUR REGIONAL HERCULES SALES TEAM.



STYLE 568, BULK 70 DURO BUNA-N O-RINGS

O-RINGS

| Part Number | A Nom. ID | B Nom. OD | C Nom. Ht | INSIDE DIAMETER | CROSS SECTION | Package Quantity | List Price |
|-----------------|-----------|-----------|-----------|-----------------|---------------|------------------|------------|
| 568-363-B | 6-1/2 | 6-7/8 | 3/16 | 6.475 ±.040 | .210 ±.005 | 200 | 2.4153 |
| 568-364-B | 6-3/4 | 7-1/8 | 3/16 | 6.725 ±.040 | .210 ±.005 | 200 | 2.5095 |
| 568-365-B | 7 | 7-3/8 | 3/16 | 6.975 ±.040 | .210 ±.005 | 200 | 2.6348 |
| 568-366-B | 7-1/4 | 7-5/8 | 3/16 | 7.225 ±.045 | .210 ±.005 | 200 | 2.6348 |
| 568-367-B | 7-1/2 | 7-7/8 | 3/16 | 7.475 ±.045 | .210 ±.005 | 200 | 2.6348 |
| 568-368-B | 7-3/4 | 8-1/8 | 3/16 | 7.725 ±.045 | .210 ±.005 | 200 | 2.6348 |
| 568-369-B | 8 | 8-3/8 | 3/16 | 7.975 ±.045 | .210 ±.005 | 100 | 2.9329 |
| 568-370-B | 8-1/4 | 8-5/8 | 3/16 | 8.225 ±.050 | .210 ±.005 | 100 | 3.2622 |
| 568-371-B | 8-1/2 | 8-7/8 | 3/16 | 8.475 ±.050 | .210 ±.005 | 100 | 3.3879 |
| 568-372-B | 8-3/4 | 9-1/8 | 3/16 | 8.725 ±.050 | .210 ±.005 | 100 | 3.4504 |
| 568-373-B | 9 | 9-3/8 | 3/16 | 8.975 ±.050 | .210 ±.005 | 100 | 3.764 |
| 568-374-B | 9-1/4 | 9-5/8 | 3/16 | 9.225 ±.055 | .210 ±.005 | 100 | 3.8267 |
| 568-375-B | 9-1/2 | 9-7/8 | 3/16 | 9.475 ±.055 | .210 ±.005 | 100 | 3.8894 |
| 568-376-B | 9-3/4 | 10-1/8 | 3/16 | 9.725 ±.055 | .210 ±.005 | 100 | 3.9523 |
| 568-377-B | 10 | 10-3/8 | 3/16 | 9.975 ±.055 | .210 ±.005 | 100 | 3.9523 |
| 568-378-B | 10-1/2 | 10-7/8 | 3/16 | 10.475 ±.060 | .210 ±.005 | 100 | 5.0186 |
| 568-379-B | 11 | 11-3/8 | 3/16 | 10.975 ±.060 | .210 ±.005 | 100 | 5.3323 |
| 568-380-B | 11-1/2 | 11-7/8 | 3/16 | 11.475 ±.065 | .210 ±.005 | 100 | 5.4578 |
| 568-381-B | 12 | 12-3/8 | 3/16 | 11.975 ±.065 | .210 ±.005 | 100 | 5.646 |
| 568-382-B | 13 | 13-3/8 | 3/16 | 12.975 ±.065 | .210 ±.005 | 100 | 5.646 |
| 568-383-B | 14 | 14-3/8 | 3/16 | 13.975 ±.070 | .210 ±.005 | 100 | 7.5282 |
| 568-384-B | 15 | 15-3/8 | 3/16 | 14.975 ±.070 | .210 ±.005 | 100 | 7.5282 |
| 568-385-B | 16 | 16-3/8 | 3/16 | 15.955 ±.075 | .210 ±.005 | 100 | 8.7829 |
| 568-386-B | 17 | 17-3/8 | 3/16 | 16.955 ±.080 | .210 ±.005 | 100 | 9.4101 |
| 568-387-B | 18 | 18-3/8 | 3/16 | 17.955 ±.085 | .210 ±.005 | 100 | 10.6648 |
| 568-388-B | 19 | 19-3/8 | 3/16 | 18.955 ±.090 | .210 ±.005 | 20 | 10.9785 |
| 568-389-B | 20 | 20-3/8 | 3/16 | 19.955 ±.095 | .210 ±.005 | 20 | 10.9785 |
| 568-390-B | 21 | 21-3/8 | 3/16 | 20.955 ±.095 | .210 ±.005 | 20 | 10.9785 |
| 568-391-B | 22 | 22-3/8 | 3/16 | 21.955 ±.100 | .210 ±.005 | 20 | 11.2921 |
| 568-392-B | 23 | 23-3/8 | 3/16 | 22.940 ±.105 | .210 ±.005 | 20 | 11.2921 |
| 568-393-B | 24 | 24-3/8 | 3/16 | 23.940 ±.110 | .210 ±.005 | 20 | 18.1774 |
| 568-394-B | 25 | 25-3/8 | 3/16 | 24.940 ±.115 | .210 ±.005 | 20 | 18.193 |
| 568-395-B | 26 | 26-3/8 | 3/16 | 25.940 ±.120 | .210 ±.005 | 20 | 20.075 |
| 1/4" C/S | | | | | | | |
| 568-425-B | 4-1/2 | 5 | 1/4 | 4.475 ±.033 | .275 ±.006 | 200 | \$1.5682 |
| 568-426-B | 4-5/8 | 5-1/8 | 1/4 | 4.600 ±.033 | .275 ±.006 | 200 | 1.5682 |
| 568-427-B | 4-3/4 | 5-1/4 | 1/4 | 4.725 ±.033 | .275 ±.006 | 200 | 1.5682 |
| 568-428-B | 4-7/8 | 5-3/8 | 1/4 | 4.850 ±.033 | .275 ±.006 | 200 | 1.6939 |
| 568-429-B | 5 | 5-1/2 | 1/4 | 4.975 ±.037 | .275 ±.006 | 200 | 1.7565 |
| 568-430-B | 5-1/8 | 5-5/8 | 1/4 | 5.100 ±.037 | .275 ±.006 | 200 | 1.7565 |
| 568-431-B | 5-1/4 | 5-3/4 | 1/4 | 5.225 ±.037 | .275 ±.006 | 200 | 2.0075 |
| 568-432-B | 5-3/8 | 5-7/8 | 1/4 | 5.350 ±.037 | .275 ±.006 | 200 | 2.0387 |
| 568-433-B | 5-1/2 | 6 | 1/4 | 5.475 ±.037 | .275 ±.006 | 200 | 2.0387 |
| 568-434-B | 5-5/8 | 6-1/8 | 1/4 | 5.600 ±.037 | .275 ±.006 | 200 | 2.0703 |
| 568-435-B | 5-3/4 | 6-1/4 | 1/4 | 5.725 ±.037 | .275 ±.006 | 200 | 2.1956 |
| 568-436-B | 5-7/8 | 6-3/8 | 1/4 | 5.850 ±.037 | .275 ±.006 | 200 | 2.1956 |
| 568-437-B | 6 | 6-1/2 | 1/4 | 5.975 ±.037 | .275 ±.006 | 200 | 2.3682 |
| 568-438-B | 6-1/4 | 6-3/4 | 1/4 | 6.225 ±.040 | .275 ±.006 | 200 | 2.5095 |
| 568-439-B | 6-1/2 | 7 | 1/4 | 6.475 ±.040 | .275 ±.006 | 200 | 2.6348 |
| 568-440-B | 6-3/4 | 7-1/4 | 1/4 | 6.725 ±.040 | .275 ±.006 | 200 | 2.8231 |
| 568-441-B | 7 | 7-1/2 | 1/4 | 6.975 ±.040 | .275 ±.006 | 200 | 3.0741 |
| 568-442-B | 7-1/4 | 7-3/4 | 1/4 | 7.225 ±.045 | .275 ±.006 | 200 | 3.1368 |
| 568-443-B | 7-1/2 | 8 | 1/4 | 7.475 ±.045 | .275 ±.006 | 200 | 3.2622 |
| 568-444-B | 7-3/4 | 8-1/4 | 1/4 | 7.725 ±.045 | .275 ±.006 | 200 | 3.4504 |
| 568-445-B | 8 | 8-1/2 | 1/4 | 7.975 ±.045 | .275 ±.006 | 100 | 3.5759 |
| 568-446-B | 8-1/2 | 9 | 1/4 | 8.475 ±.055 | .275 ±.006 | 100 | 3.7015 |
| 568-447-B | 9 | 9-1/2 | 1/4 | 8.975 ±.055 | .275 ±.006 | 100 | 3.8894 |

NORTH AMERICA
PHONE 1-800-777-5617
FAX 1-800-759-6391

SALES OFFICE HOURS
8 A.M. TO 7:30 P.M. EASTERN TIME
www.HerculesUS.com

WORLDWIDE
PHONE 1-727-796-1300
FAX 1-727-797-8849

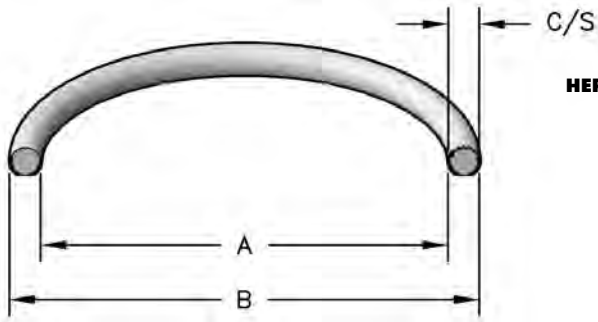
**STYLE 568, BULK 70 DURO BUNA-N O-RINGS**

| Part Number | A Nom. ID | B Nom. OD | C Nom. Ht | INSIDE DIAMETER | CROSS SECTION | Package Quantity | List Price |
|-------------|-----------|-----------|-----------|-----------------|---------------|------------------|------------|
| 568-448-B | 9-1/2 | 10 | 1/4 | 9.475 ±.055 | .275 ±.006 | 100 | 3.8894 |
| 568-449-B | 10 | 10-1/2 | 1/4 | 9.975 ±.055 | .275 ±.006 | 100 | 3.8894 |
| 568-450-B | 10-1/2 | 11 | 1/4 | 10.475 ±.060 | .275 ±.006 | 100 | 4.7051 |
| 568-451-B | 11 | 11-1/2 | 1/4 | 10.975 ±.060 | .275 ±.006 | 100 | 4.8933 |
| 568-452-B | 11-1/2 | 12 | 1/4 | 11.475 ±.060 | .275 ±.006 | 100 | 5.3323 |
| 568-453-B | 12 | 12-1/2 | 1/4 | 11.975 ±.060 | .275 ±.006 | 100 | 5.646 |
| 568-454-B | 12-1/2 | 13 | 1/4 | 12.475 ±.060 | .275 ±.006 | 100 | 5.9597 |
| 568-455-B | 13 | 13-1/2 | 1/4 | 12.975 ±.060 | .275 ±.006 | 100 | 7.5282 |
| 568-456-B | 13-1/2 | 14 | 1/4 | 13.475 ±.070 | .275 ±.006 | 100 | 7.5282 |
| 568-457-B | 14 | 14-1/2 | 1/4 | 13.975 ±.070 | .275 ±.006 | 20 | 7.5282 |
| 568-458-B | 14-1/2 | 15 | 1/4 | 14.475 ±.070 | .275 ±.006 | 20 | 7.5282 |
| 568-459-B | 15 | 15-1/2 | 1/4 | 14.975 ±.070 | .275 ±.006 | 20 | 7.7793 |
| 568-460-B | 15-1/2 | 16 | 1/4 | 15.475 ±.070 | .275 ±.006 | 20 | 8.1554 |
| 568-461-B | 16 | 16-1/2 | 1/4 | 15.955 ±.075 | .275 ±.006 | 20 | 9.0965 |
| 568-462-B | 16-1/2 | 17 | 1/4 | 16.455 ±.075 | .275 ±.006 | 20 | 9.4101 |
| 568-463-B | 17 | 17-1/2 | 1/4 | 16.955 ±.080 | .275 ±.006 | 20 | 10.0374 |
| 568-464-B | 17-1/2 | 18 | 1/4 | 17.455 ±.085 | .275 ±.006 | 20 | 10.6648 |
| 568-465-B | 18 | 18-1/2 | 1/4 | 17.955 ±.085 | .275 ±.006 | 20 | 11.9196 |
| 568-466-B | 18-1/2 | 19 | 1/4 | 18.455 ±.085 | .275 ±.006 | 20 | 11.9196 |
| 568-467-B | 19 | 19-1/2 | 1/4 | 18.955 ±.090 | .275 ±.006 | 20 | 11.9196 |
| 568-468-B | 19-1/2 | 20 | 1/4 | 19.455 ±.090 | .275 ±.006 | 20 | 12.547 |
| 568-469-B | 20 | 20-1/2 | 1/4 | 19.955 ±.090 | .275 ±.006 | 20 | 12.5313 |
| 568-470-B | 21 | 21-1/2 | 1/4 | 20.955 ±.090 | .275 ±.006 | 20 | 12.6352 |
| 568-471-B | 22 | 22-1/2 | 1/4 | 21.955 ±.100 | .275 ±.006 | 20 | 12.7755 |
| 568-472-B | 23 | 23-1/2 | 1/4 | 22.940 ±.105 | .275 ±.006 | 20 | 12.8456 |
| 568-473-B | 24 | 24-1/2 | 1/4 | 23.940 ±.110 | .275 ±.006 | 20 | 12.9159 |
| 568-474-B | 25 | 25-1/2 | 1/4 | 24.940 ±.115 | .275 ±.006 | 20 | 13.0561 |

O-RINGS



STYLE 568C AND 580C, 70 DURO BUNA-N O-RING CORD



HERCULES PART NUMBERS

568C - 062
Prefix Nominal
 Cross
 Section



HERCULES PART NUMBERS

580C - 093
Prefix Nominal
 Cross
 Section

SOLD BY FOOT

SEAL INFORMATION

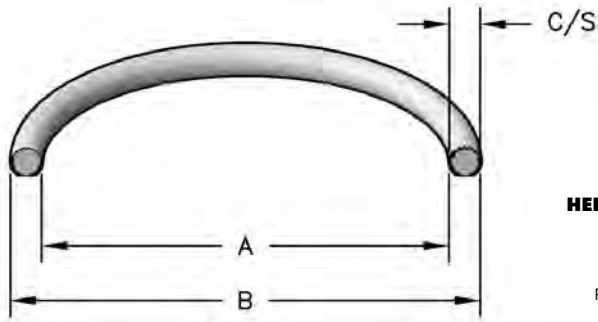
| | |
|-------------------|---|
| MATERIAL | BUNA-N RUBBER |
| TEMPERATURE RANGE | -40° TO +240° F |
| PRESSURE RANGE | VARIES ACCORDING TO DIAMETRAL CLEARANCE |

O-RINGS

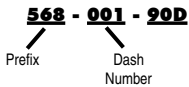
| Part Number | Nom. Cross Section | C HEIGHT | CROSS SECTION | List Price |
|-------------|--------------------|------------|---------------|------------|
| 568C-062 | 1/16 | | .070 ±.006 | \$0.62 |
| 568C-093 | 3/32 | | .103 ±.007 | 0.75 |
| 568C-125 | 1/8 | | .139 ±.007 | 0.85 |
| 568C-187 | 3/16 | | .210 ±.008 | 1.08 |
| 568C-250 | 1/4 | | .275 ±.008 | 1.26 |
| 568C-313 | 5/16 | | .313 ±.012 | 1.76 |
| 568C-375 | 3/8 | | .375 ±.012 | 2.76 |
| 568C-437 | 7/16 | | .437 ±.012 | 2.48 |
| 568C-500 | 1/2 | | .500 ±.012 | 3.42 |
| 580C-093 | 3/32 | .099 ±.005 | .099 ±.005 | 0.84 |
| 580C-125 | 1/8 | .134 ±.006 | .134 ±.006 | 1.05 |
| 580C-187 | 3/16 | .203 ±.007 | .203 ±.007 | 1.29 |
| 580C-250 | 1/4 | .266 ±.007 | .266 ±.007 | 1.56 |

STYLE 568, 90 DURO BUNA-N O-RINGS

Reduced prices are available for large quantity purchases of 70 & 90 Durometer O-Rings.



HERCULES PART NUMBERS



| SEAL INFORMATION | |
|-------------------|---|
| MATERIAL | BUNA-N RUBBER |
| TEMPERATURE RANGE | -40° TO +240° F |
| PRESSURE RANGE | VARIES ACCORDING TO DIAMETRAL CLEARANCE |

O-RINGS

| Part Number | A Nom. ID | B Nom. OD | C Nom. Ht | INSIDE DIAMETER | CROSS SECTION | Package Quantity | List Price |
|------------------|-----------|-----------|-----------|-----------------|---------------|------------------|------------|
| 1/32" C/S | | | | | | | |
| 568-001-90D | 1/32 | 3/32 | 1/32 | .029 ±.004 | .040 ±.003 | 50 | \$0.22 |
| 3/64" C/S | | | | | | | |
| 568-002-90D | 3/64 | 9/64 | 3/64 | .042 ±.004 | .050 ±.003 | 50 | \$0.14 |
| 1/16" C/S | | | | | | | |
| 568-003-90D | 1/16 | 3/16 | 1/16 | .056 ±.004 | .060 ±.003 | 50 | \$0.14 |
| 568-004-90D | 5/64 | 13/64 | 1/16 | .070 ±.005 | .070 ±.003 | 50 | 0.14 |
| 568-005-90D | 3/32 | 7/32 | 1/16 | .101 ±.005 | .070 ±.003 | 50 | 0.10 |
| 568-006-90D | 1/8 | 1/4 | 1/16 | .114 ±.005 | .070 ±.003 | 50 | 0.07 |
| 568-007-90D | 5/32 | 9/32 | 1/16 | .145 ±.005 | .070 ±.003 | 50 | 0.10 |
| 568-008-90D | 3/16 | 5/16 | 1/16 | .176 ±.005 | .070 ±.003 | 50 | 0.10 |
| 568-009-90D | 7/32 | 11/32 | 1/16 | .208 ±.005 | .070 ±.003 | 50 | 0.10 |
| 568-010-90D | 1/4 | 3/8 | 1/16 | .239 ±.005 | .070 ±.003 | 50 | 0.10 |
| 568-011-90D | 5/16 | 7/16 | 1/16 | .301 ±.005 | .070 ±.003 | 50 | 0.10 |
| 568-012-90D | 3/8 | 1/2 | 1/16 | .364 ±.005 | .070 ±.003 | 50 | 0.10 |
| 568-013-90D | 7/16 | 9/16 | 1/16 | .426 ±.005 | .070 ±.003 | 50 | 0.11 |
| 568-014-90D | 1/2 | 5/8 | 1/16 | .489 ±.005 | .070 ±.003 | 50 | 0.11 |
| 568-015-90D | 9/16 | 11/16 | 1/16 | .551 ±.007 | .070 ±.003 | 50 | 0.14 |
| 568-016-90D | 5/8 | 3/4 | 1/16 | .614 ±.009 | .070 ±.003 | 50 | 0.14 |
| 568-017-90D | 11/16 | 13/16 | 1/16 | .676 ±.009 | .070 ±.003 | 50 | 0.16 |
| 568-018-90D | 3/4 | 7/8 | 1/16 | .739 ±.009 | .070 ±.003 | 50 | 0.16 |
| 568-019-90D | 13/16 | 15/16 | 1/16 | .801 ±.009 | .070 ±.003 | 50 | 0.22 |
| 568-020-90D | 7/8 | 1 | 1/16 | .864 ±.009 | .070 ±.003 | 50 | 0.22 |
| 568-021-90D | 15/16 | 1-1/16 | 1/16 | .926 ±.009 | .070 ±.003 | 50 | 0.26 |
| 568-022-90D | 1 | 1-1/8 | 1/16 | .989 ±.010 | .070 ±.003 | 50 | 0.26 |
| 568-023-90D | 1-1/16 | 1-3/16 | 1/16 | 1.051 ±.010 | .070 ±.003 | 50 | 0.26 |
| 568-024-90D | 1-1/8 | 1-1/4 | 1/16 | 1.114 ±.010 | .070 ±.003 | 50 | 0.27 |
| 568-025-90D | 1-3/16 | 1-5/16 | 1/16 | 1.176 ±.011 | .070 ±.003 | 50 | 0.29 |
| 568-026-90D | 1-1/4 | 1-3/8 | 1/16 | 1.239 ±.011 | .070 ±.003 | 50 | 0.30 |
| 568-027-90D | 1-5/16 | 1-7/16 | 1/16 | 1.301 ±.011 | .070 ±.003 | 50 | 0.30 |
| 568-028-90D | 1-3/8 | 1-1/2 | 1/16 | 1.364 ±.013 | .070 ±.003 | 20 | 0.30 |
| 568-029-90D | 1-1/2 | 1-5/8 | 1/16 | 1.489 ±.013 | .070 ±.003 | 20 | 0.36 |
| 568-030-90D | 1-5/8 | 1-3/4 | 1/16 | 1.614 ±.013 | .070 ±.003 | 20 | 0.36 |
| 568-031-90D | 1-3/4 | 1-7/8 | 1/16 | 1.739 ±.015 | .070 ±.003 | 20 | 0.47 |
| 568-032-90D | 1-7/8 | 2 | 1/16 | 1.864 ±.015 | .070 ±.003 | 20 | 0.50 |
| 568-033-90D | 2 | 2-1/8 | 1/16 | 1.989 ±.018 | .070 ±.003 | 20 | 0.66 |
| 568-034-90D | 2-1/8 | 2-1/4 | 1/16 | 2.114 ±.018 | .070 ±.003 | 20 | 0.68 |
| 568-035-90D | 2-1/4 | 2-3/8 | 1/16 | 2.239 ±.018 | .070 ±.003 | 20 | 0.68 |
| 568-036-90D | 2-3/8 | 2-1/2 | 1/16 | 2.364 ±.018 | .070 ±.003 | 20 | 0.73 |
| 568-037-90D | 2-1/2 | 2-5/8 | 1/16 | 2.489 ±.018 | .070 ±.003 | 20 | 0.77 |
| 568-038-90D | 2-5/8 | 2-3/4 | 1/16 | 2.614 ±.020 | .070 ±.003 | 20 | 0.79 |
| 568-039-90D | 2-3/4 | 2-7/8 | 1/16 | 2.739 ±.020 | .070 ±.003 | 20 | 0.83 |

FORMERLY LISTED SEALS ARE AVAILABLE ONLINE AT WWW.HERCULESUS.COM
 OR BY CONTACTING YOUR REGIONAL HERCULES SALES TEAM.



STYLE 568, 90 DURO BUNA-N O-RINGS

O-RINGS

| Part Number | A Nom. ID | B Nom. OD | C Nom. Ht | INSIDE DIAMETER | CROSS SECTION | Package Quantity | List Price |
|------------------|-----------|-----------|-----------|-----------------|---------------|------------------|------------|
| 568-040-90D | 2-7/8 | 3 | 1/16 | 2.864 ±.020 | .070 ±.003 | 20 | 0.85 |
| 568-041-90D | 3 | 3-1/8 | 1/16 | 2.989 ±.024 | .070 ±.003 | 20 | 0.98 |
| 568-042-90D | 3-1/4 | 3-3/8 | 1/16 | 3.239 ±.024 | .070 ±.003 | 10 | 1.07 |
| 568-043-90D | 3-1/2 | 3-5/8 | 1/16 | 3.489 ±.024 | .070 ±.003 | 10 | 1.15 |
| 568-044-90D | 3-3/4 | 3-7/8 | 1/16 | 3.739 ±.027 | .070 ±.003 | 10 | 1.29 |
| 568-045-90D | 4 | 4-1/8 | 1/16 | 3.989 ±.027 | .070 ±.003 | 10 | 1.45 |
| 568-046-90D | 4-1/4 | 4-3/8 | 1/16 | 4.239 ±.030 | .070 ±.003 | 10 | 1.83 |
| 568-047-90D | 4-1/2 | 4-5/8 | 1/16 | 4.489 ±.030 | .070 ±.003 | 5 | 1.90 |
| 568-048-90D | 4-3/4 | 4-7/8 | 1/16 | 4.739 ±.030 | .070 ±.003 | 5 | 7.22 |
| 568-049-90D | 5 | 5-1/8 | 1/16 | 4.989 ±.037 | .070 ±.003 | 5 | 2.33 |
| 568-050-90D | 5-1/4 | 5-3/8 | 1/16 | 5.239 ±.037 | .070 ±.003 | 5 | 2.57 |
| 3/32" C/S | | | | | | | |
| 568-102-90D | 1/16 | 1/4 | 3/32 | .049 ±.005 | .103 ±.003 | 50 | \$0.16 |
| 568-103-90D | 3/32 | 9/32 | 3/32 | .081 ±.005 | .103 ±.003 | 50 | 0.14 |
| 568-104-90D | 1/8 | 5/16 | 3/32 | .112 ±.005 | .103 ±.003 | 50 | 0.10 |
| 568-105-90D | 5/32 | 11/32 | 3/32 | .143 ±.005 | .103 ±.003 | 50 | 0.11 |
| 568-106-90D | 3/16 | 3/8 | 3/32 | .174 ±.005 | .103 ±.003 | 50 | 0.11 |
| 568-107-90D | 7/32 | 13/32 | 3/32 | .206 ±.005 | .103 ±.003 | 50 | 0.11 |
| 568-108-90D | 1/4 | 7/16 | 3/32 | .237 ±.005 | .103 ±.003 | 50 | 0.11 |
| 568-109-90D | 5/16 | 1/2 | 3/32 | .299 ±.005 | .103 ±.003 | 50 | 0.11 |
| 568-110-90D | 3/8 | 9/16 | 3/32 | .362 ±.005 | .103 ±.003 | 50 | 0.11 |
| 568-111-90D | 7/16 | 5/8 | 3/32 | .424 ±.005 | .103 ±.003 | 50 | 0.11 |
| 568-112-90D | 1/2 | 11/16 | 3/32 | .487 ±.005 | .103 ±.003 | 50 | 0.14 |
| 568-113-90D | 9/16 | 3/4 | 3/32 | .549 ±.005 | .103 ±.003 | 50 | 0.14 |
| 568-114-90D | 5/8 | 13/16 | 3/32 | .612 ±.009 | .103 ±.003 | 50 | 0.14 |
| 568-115-90D | 11/16 | 7/8 | 3/32 | .674 ±.009 | .103 ±.003 | 50 | 0.14 |
| 568-116-90D | 3/4 | 15/16 | 3/32 | .737 ±.009 | .103 ±.003 | 50 | 0.16 |
| 568-117-90D | 13/16 | 1 | 3/32 | .799 ±.010 | .103 ±.003 | 50 | 0.22 |
| 568-118-90D | 7/8 | 1-1/16 | 3/32 | .862 ±.010 | .103 ±.003 | 50 | 0.22 |
| 568-119-90D | 15/16 | 1-1/8 | 3/32 | .924 ±.010 | .103 ±.003 | 50 | 0.26 |
| 568-120-90D | 1 | 1-3/16 | 3/32 | .987 ±.010 | .103 ±.003 | 50 | 0.26 |
| 568-121-90D | 1-1/16 | 1-1/4 | 3/32 | 1.049 ±.010 | .103 ±.003 | 50 | 0.27 |
| 568-122-90D | 1-1/8 | 1-5/16 | 3/32 | 1.112 ±.010 | .103 ±.003 | 50 | 0.27 |
| 568-123-90D | 1-3/16 | 1-3/8 | 3/32 | 1.174 ±.012 | .103 ±.003 | 50 | 0.29 |
| 568-124-90D | 1-1/4 | 1-7/16 | 3/32 | 1.237 ±.012 | .103 ±.003 | 50 | 0.30 |
| 568-125-90D | 1-5/16 | 1-1/2 | 3/32 | 1.299 ±.012 | .103 ±.003 | 50 | 0.30 |
| 568-126-90D | 1-3/8 | 1-9/16 | 3/32 | 1.362 ±.012 | .103 ±.003 | 20 | 0.33 |
| 568-127-90D | 1-7/16 | 1-5/8 | 3/32 | 1.424 ±.012 | .103 ±.003 | 20 | 0.34 |
| 568-128-90D | 1-1/2 | 1-11/16 | 3/32 | 1.487 ±.012 | .103 ±.003 | 20 | 0.41 |
| 568-129-90D | 1-9/16 | 1-3/4 | 3/32 | 1.549 ±.015 | .103 ±.003 | 20 | 0.41 |
| 568-130-90D | 1-5/8 | 1-13/16 | 3/32 | 1.612 ±.015 | .103 ±.003 | 20 | 0.47 |
| 568-131-90D | 1-11/16 | 1-7/8 | 3/32 | 1.674 ±.015 | .103 ±.003 | 20 | 0.49 |
| 568-132-90D | 1-3/4 | 1-15/16 | 3/32 | 1.737 ±.015 | .103 ±.003 | 20 | 0.49 |
| 568-133-90D | 1-13/16 | 2 | 3/32 | 1.799 ±.015 | .103 ±.003 | 20 | 0.50 |
| 568-134-90D | 1-7/8 | 2-1/16 | 3/32 | 1.862 ±.015 | .103 ±.003 | 20 | 0.55 |
| 568-135-90D | 1-15/16 | 2-1/8 | 3/32 | 1.925 ±.017 | .103 ±.003 | 20 | 0.61 |
| 568-136-90D | 2 | 2-3/16 | 3/32 | 1.987 ±.017 | .103 ±.003 | 20 | 0.62 |
| 568-137-90D | 2-1/16 | 2-1/4 | 3/32 | 2.050 ±.017 | .103 ±.003 | 20 | 0.62 |
| 568-138-90D | 2-1/8 | 2-5/16 | 3/32 | 2.112 ±.017 | .103 ±.003 | 20 | 0.66 |
| 568-139-90D | 2-3/16 | 2-3/8 | 3/32 | 2.175 ±.017 | .103 ±.003 | 20 | 0.68 |
| 568-140-90D | 2-1/4 | 2-7/16 | 3/32 | 2.237 ±.017 | .103 ±.003 | 20 | 0.68 |
| 568-141-90D | 2-5/16 | 2-1/2 | 3/32 | 2.300 ±.020 | .103 ±.003 | 20 | 0.68 |
| 568-142-90D | 2-3/8 | 2-9/16 | 3/32 | 2.362 ±.020 | .103 ±.003 | 20 | 0.72 |
| 568-143-90D | 2-7/16 | 2-5/8 | 3/32 | 2.425 ±.020 | .103 ±.003 | 20 | 0.77 |
| 568-144-90D | 2-1/2 | 2-11/16 | 3/32 | 2.487 ±.020 | .103 ±.003 | 20 | 0.77 |
| 568-145-90D | 2-9/16 | 2-3/4 | 3/32 | 2.550 ±.020 | .103 ±.003 | 20 | 0.77 |
| 568-146-90D | 2-5/8 | 2-13/16 | 3/32 | 2.612 ±.020 | .103 ±.003 | 20 | 0.80 |

NORTH AMERICA
PHONE 1-800-777-5617
FAX 1-800-759-6391

SALES OFFICE HOURS
8 A.M. TO 7:30 P.M. EASTERN TIME
www.HerculesUS.com

WORLDWIDE
PHONE 1-727-796-1300
FAX 1-727-797-8849



STYLE 568, 90 DURO BUNA-N O-RINGS

O-RINGS

| Part Number | A Nom. ID | B Nom. OD | C Nom. Ht | INSIDE DIAMETER | CROSS SECTION | Package Quantity | List Price |
|-----------------|-----------|-----------|-----------|-----------------|---------------|------------------|------------|
| 568-147-90D | 2-11/16 | 2-7/8 | 3/32 | 2.675 ±.022 | .103 ±.003 | 20 | 0.80 |
| 568-148-90D | 2-3/4 | 2-15/16 | 3/32 | 2.737 ±.022 | .103 ±.003 | 20 | 0.80 |
| 568-149-90D | 2-13/16 | 3 | 3/32 | 2.800 ±.022 | .103 ±.003 | 20 | 0.83 |
| 568-150-90D | 2-7/8 | 3-1/16 | 3/32 | 2.862 ±.022 | .103 ±.003 | 20 | 0.92 |
| 568-151-90D | 3 | 3-3/16 | 3/32 | 2.987 ±.024 | .103 ±.003 | 20 | 0.94 |
| 568-152-90D | 3-1/4 | 3-7/16 | 3/32 | 3.237 ±.024 | .103 ±.003 | 10 | 1.12 |
| 568-153-90D | 3-1/2 | 3-11/16 | 3/32 | 3.487 ±.024 | .103 ±.003 | 10 | 1.15 |
| 568-154-90D | 3-3/4 | 3-15/16 | 3/32 | 3.737 ±.028 | .103 ±.003 | 10 | 1.38 |
| 568-155-90D | 4 | 4-3/16 | 3/32 | 3.987 ±.028 | .103 ±.003 | 10 | 1.67 |
| 568-156-90D | 4-1/4 | 4-7/16 | 3/32 | 4.237 ±.030 | .103 ±.003 | 10 | 1.86 |
| 568-157-90D | 4-1/2 | 4-11/16 | 3/32 | 4.487 ±.030 | .103 ±.003 | 5 | 2.28 |
| 568-158-90D | 4-3/4 | 4-15/16 | 3/32 | 4.737 ±.030 | .103 ±.003 | 5 | 2.28 |
| 568-159-90D | 5 | 5-3/16 | 3/32 | 4.987 ±.035 | .103 ±.003 | 5 | 2.67 |
| 568-160-90D | 5-1/4 | 5-7/16 | 3/32 | 5.237 ±.035 | .103 ±.003 | 5 | 2.82 |
| 568-161-90D | 5-1/2 | 5-11/16 | 3/32 | 5.487 ±.035 | .103 ±.003 | 5 | 3.05 |
| 568-162-90D | 5-3/4 | 5-15/16 | 3/32 | 5.737 ±.035 | .103 ±.003 | 5 | 3.14 |
| 568-163-90D | 6 | 6-3/16 | 3/32 | 5.987 ±.035 | .103 ±.003 | 5 | 3.31 |
| 568-164-90D | 6-1/4 | 6-7/16 | 3/32 | 6.237 ±.040 | .103 ±.003 | 5 | 3.44 |
| 568-165-90D | 6-1/2 | 6-11/16 | 3/32 | 6.487 ±.040 | .103 ±.003 | 5 | 3.61 |
| 568-166-90D | 6-3/4 | 6-15/16 | 3/32 | 6.737 ±.040 | .103 ±.003 | 5 | 3.82 |
| 568-167-90D | 7 | 7-3/16 | 3/32 | 6.987 ±.040 | .103 ±.003 | 5 | 3.96 |
| 568-171-90D | 8 | 8-3/16 | 3/32 | 7.987 ±.045 | .103 ±.003 | 1 | 4.69 |
| 568-173-90D | 8-1/2 | 8-11/16 | 3/32 | 8.487 ±.050 | .103 ±.003 | 1 | 4.99 |
| 568-178-90D | 9-3/4 | 9-15/16 | 3/32 | 9.737 ±.055 | .103 ±.003 | 1 | 5.61 |
| 1/8" C/S | | | | | | | |
| 568-201-90D | 3/16 | 7/16 | 1/8 | .171 ±.005 | .139 ±.004 | 50 | \$0.14 |
| 568-202-90D | 1/4 | 1/2 | 1/8 | .234 ±.005 | .139 ±.004 | 50 | 0.14 |
| 568-203-90D | 5/16 | 9/16 | 1/8 | .296 ±.005 | .139 ±.004 | 50 | 0.14 |
| 568-204-90D | 3/8 | 5/8 | 1/8 | .359 ±.005 | .139 ±.004 | 50 | 0.14 |
| 568-205-90D | 7/16 | 11/16 | 1/8 | .421 ±.005 | .139 ±.004 | 50 | 0.14 |
| 568-206-90D | 1/2 | 3/4 | 1/8 | .484 ±.005 | .139 ±.004 | 50 | 0.22 |
| 568-207-90D | 9/16 | 13/16 | 1/8 | .546 ±.007 | .139 ±.004 | 50 | 0.22 |
| 568-208-90D | 5/8 | 7/8 | 1/8 | .609 ±.009 | .139 ±.004 | 50 | 0.26 |
| 568-209-90D | 11/16 | 15/16 | 1/8 | .671 ±.009 | .139 ±.004 | 50 | 0.26 |
| 568-210-90D | 3/4 | 1 | 1/8 | .734 ±.010 | .139 ±.004 | 50 | 0.27 |
| 568-211-90D | 13/16 | 1-1/16 | 1/8 | .796 ±.010 | .139 ±.004 | 50 | 0.27 |
| 568-212-90D | 7/8 | 1-1/8 | 1/8 | .859 ±.010 | .139 ±.004 | 50 | 0.29 |
| 568-213-90D | 15/16 | 1-3/16 | 1/8 | .921 ±.010 | .139 ±.004 | 50 | 0.30 |
| 568-214-90D | 1 | 1-1/4 | 1/8 | .984 ±.010 | .139 ±.004 | 50 | 0.30 |
| 568-215-90D | 1-1/16 | 1-5/16 | 1/8 | 1.046 ±.010 | .139 ±.004 | 50 | 0.34 |
| 568-216-90D | 1-1/8 | 1-3/8 | 1/8 | 1.109 ±.012 | .139 ±.004 | 50 | 0.34 |
| 568-217-90D | 1-3/16 | 1-7/16 | 1/8 | 1.171 ±.012 | .139 ±.004 | 50 | 0.36 |
| 568-218-90D | 1-1/4 | 1-1/2 | 1/8 | 1.234 ±.012 | .139 ±.004 | 20 | 0.41 |
| 568-219-90D | 1-5/16 | 1-9/16 | 1/8 | 1.296 ±.012 | .139 ±.004 | 20 | 0.43 |
| 568-220-90D | 1-3/8 | 1-5/8 | 1/8 | 1.359 ±.012 | .139 ±.004 | 20 | 0.47 |
| 568-221-90D | 1-7/16 | 1-11/16 | 1/8 | 1.421 ±.012 | .139 ±.004 | 20 | 0.47 |
| 568-222-90D | 1-1/2 | 1-3/4 | 1/8 | 1.484 ±.015 | .139 ±.004 | 20 | 0.53 |
| 568-223-90D | 1-5/8 | 1-7/8 | 1/8 | 1.609 ±.015 | .139 ±.004 | 20 | 0.61 |
| 568-224-90D | 1-3/4 | 2 | 1/8 | 1.734 ±.015 | .139 ±.004 | 20 | 0.64 |
| 568-225-90D | 1-7/8 | 2-1/8 | 1/8 | 1.859 ±.018 | .139 ±.004 | 20 | 0.66 |
| 568-226-90D | 2 | 2-1/4 | 1/8 | 1.984 ±.018 | .139 ±.004 | 20 | 0.68 |
| 568-227-90D | 2-1/8 | 2-3/8 | 1/8 | 2.109 ±.018 | .139 ±.004 | 20 | 0.77 |
| 568-228-90D | 2-1/4 | 2-1/2 | 1/8 | 2.234 ±.020 | .139 ±.004 | 20 | 0.80 |
| 568-229-90D | 2-3/8 | 2-5/8 | 1/8 | 2.359 ±.020 | .139 ±.004 | 20 | 0.83 |
| 568-230-90D | 2-1/2 | 2-3/4 | 1/8 | 2.484 ±.020 | .139 ±.004 | 20 | 0.88 |
| 568-231-90D | 2-5/8 | 2-7/8 | 1/8 | 2.609 ±.020 | .139 ±.004 | 20 | 0.92 |
| 568-232-90D | 2-3/4 | 3 | 1/8 | 2.734 ±.024 | .139 ±.004 | 10 | 1.02 |

FORMERLY LISTED SEALS ARE AVAILABLE ONLINE AT WWW.HERCULESUS.COM
OR BY CONTACTING YOUR REGIONAL HERCULES SALES TEAM.



STYLE 568, 90 DURO BUNA-N O-RINGS

O-RINGS

| Part Number | A Nom. ID | B Nom. OD | C Nom. Ht | INSIDE DIAMETER | CROSS SECTION | Package Quantity | List Price |
|------------------|-----------|-----------|-----------|-----------------|---------------|------------------|------------|
| 568-233-90D | 2-7/8 | 3-1/8 | 1/8 | 2.859 ±.024 | .139 ±.004 | 10 | 1.04 |
| 568-234-90D | 3 | 3-1/4 | 1/8 | 2.984 ±.024 | .139 ±.004 | 10 | 1.04 |
| 568-235-90D | 3-1/8 | 3-3/8 | 1/8 | 3.109 ±.024 | .139 ±.004 | 10 | 1.19 |
| 568-236-90D | 3-1/4 | 3-1/2 | 1/8 | 3.234 ±.024 | .139 ±.004 | 10 | 1.22 |
| 568-237-90D | 3-3/8 | 3-5/8 | 1/8 | 3.359 ±.024 | .139 ±.004 | 10 | 1.27 |
| 568-238-90D | 3-1/2 | 3-3/4 | 1/8 | 3.484 ±.024 | .139 ±.004 | 10 | 1.29 |
| 568-239-90D | 3-5/8 | 3-7/8 | 1/8 | 3.609 ±.028 | .139 ±.004 | 10 | 1.41 |
| 568-240-90D | 3-3/4 | 4 | 1/8 | 3.734 ±.028 | .139 ±.004 | 10 | 1.41 |
| 568-241-90D | 3-7/8 | 4-1/8 | 1/8 | 3.859 ±.028 | .139 ±.004 | 10 | 1.45 |
| 568-242-90D | 4 | 4-1/4 | 1/8 | 3.984 ±.028 | .139 ±.004 | 10 | 1.50 |
| 568-243-90D | 4-1/8 | 4-3/8 | 1/8 | 4.109 ±.028 | .139 ±.004 | 10 | 1.60 |
| 568-244-90D | 4-1/4 | 4-1/2 | 1/8 | 4.234 ±.030 | .139 ±.004 | 10 | 1.67 |
| 568-245-90D | 4-3/8 | 4-5/8 | 1/8 | 4.359 ±.030 | .139 ±.004 | 10 | 1.86 |
| 568-246-90D | 4-1/2 | 4-3/4 | 1/8 | 4.484 ±.030 | .139 ±.004 | 5 | 2.17 |
| 568-247-90D | 4-5/8 | 4-7/8 | 1/8 | 4.609 ±.030 | .139 ±.004 | 5 | 2.28 |
| 568-248-90D | 4-3/4 | 5 | 1/8 | 4.734 ±.030 | .139 ±.004 | 5 | 2.29 |
| 568-249-90D | 4-7/8 | 5-1/8 | 1/8 | 4.859 ±.035 | .139 ±.004 | 5 | 2.29 |
| 568-250-90D | 5 | 5-1/4 | 1/8 | 4.984 ±.035 | .139 ±.004 | 5 | 2.40 |
| 568-251-90D | 5-1/8 | 5-3/8 | 1/8 | 5.109 ±.035 | .139 ±.004 | 5 | 2.43 |
| 568-252-90D | 5-1/4 | 5-1/2 | 1/8 | 5.234 ±.035 | .139 ±.004 | 5 | 2.68 |
| 568-253-90D | 5-3/8 | 5-5/8 | 1/8 | 5.359 ±.035 | .139 ±.004 | 5 | 2.82 |
| 568-254-90D | 5-1/2 | 5-3/4 | 1/8 | 5.484 ±.035 | .139 ±.004 | 5 | 3.05 |
| 568-255-90D | 5-5/8 | 5-7/8 | 1/8 | 5.609 ±.035 | .139 ±.004 | 5 | 3.06 |
| 568-256-90D | 5-3/4 | 6 | 1/8 | 5.734 ±.035 | .139 ±.004 | 5 | 3.29 |
| 568-257-90D | 5-7/8 | 6-1/8 | 1/8 | 5.859 ±.035 | .139 ±.004 | 5 | 3.78 |
| 568-258-90D | 6 | 6-1/4 | 1/8 | 5.984 ±.035 | .139 ±.004 | 5 | 3.82 |
| 568-259-90D | 6-1/4 | 6-1/2 | 1/8 | 6.234 ±.040 | .139 ±.004 | 5 | 3.90 |
| 568-260-90D | 6-1/2 | 6-3/4 | 1/8 | 6.484 ±.040 | .139 ±.004 | 1 | 4.08 |
| 568-261-90D | 6-3/4 | 7 | 1/8 | 6.734 ±.040 | .139 ±.004 | 1 | 4.21 |
| 568-262-90D | 7 | 7-1/4 | 1/8 | 6.984 ±.040 | .139 ±.004 | 1 | 4.62 |
| 568-263-90D | 7-1/4 | 7-1/2 | 1/8 | 7.234 ±.045 | .139 ±.004 | 1 | 4.99 |
| 568-264-90D | 7-1/2 | 7-3/4 | 1/8 | 7.484 ±.045 | .139 ±.004 | 1 | 5.30 |
| 568-265-90D | 7-3/4 | 8 | 1/8 | 7.734 ±.045 | .139 ±.004 | 1 | 5.57 |
| 568-266-90D | 8 | 8-1/4 | 1/8 | 7.984 ±.045 | .139 ±.004 | 1 | 5.71 |
| 568-267-90D | 8-1/4 | 8-1/2 | 1/8 | 8.234 ±.050 | .139 ±.004 | 1 | 6.45 |
| 568-268-90D | 8-1/2 | 8-3/4 | 1/8 | 8.484 ±.050 | .139 ±.004 | 1 | 6.62 |
| 568-269-90D | 8-3/4 | 9 | 1/8 | 8.734 ±.050 | .139 ±.004 | 1 | 7.02 |
| 568-270-90D | 9 | 9-1/4 | 1/8 | 8.984 ±.050 | .139 ±.004 | 1 | 7.38 |
| 568-271-90D | 9-1/4 | 9-1/2 | 1/8 | 9.234 ±.055 | .139 ±.004 | 1 | 7.71 |
| 568-272-90D | 9-1/2 | 9-3/4 | 1/8 | 9.484 ±.055 | .139 ±.004 | 1 | 8.01 |
| 568-273-90D | 9-3/4 | 10 | 1/8 | 9.734 ±.055 | .139 ±.004 | 1 | 8.25 |
| 568-274-90D | 10 | 10-1/4 | 1/8 | 9.984 ±.055 | .139 ±.004 | 1 | 8.52 |
| 568-275-90D | 10-1/2 | 10-3/4 | 1/8 | 10.484 ±.055 | .139 ±.004 | 1 | 8.35 |
| 568-276-90D | 11 | 11-1/4 | 1/8 | 10.984 ±.065 | .139 ±.004 | 1 | 8.42 |
| 568-277-90D | 11-1/2 | 11-3/4 | 1/8 | 11.484 ±.065 | .139 ±.004 | 1 | 8.59 |
| 568-278-90D | 12 | 12-1/4 | 1/8 | 11.984 ±.065 | .139 ±.004 | 1 | 8.67 |
| 568-279-90D | 13 | 13-1/4 | 1/8 | 12.984 ±.065 | .139 ±.004 | 1 | 8.85 |
| 568-280-90D | 14 | 14-1/4 | 1/8 | 13.984 ±.065 | .139 ±.004 | 1 | 8.96 |
| 568-281-90D | 15 | 15-1/4 | 1/8 | 14.984 ±.065 | .139 ±.004 | 1 | 9.08 |
| 568-282-90D | 16 | 16-1/4 | 1/8 | 15.955 ±.075 | .139 ±.004 | 1 | 9.34 |
| 568-283-90D | 17 | 17-1/4 | 1/8 | 16.955 ±.080 | .139 ±.004 | 1 | 21.61 |
| 568-284-90D | 18 | 18-1/4 | 1/8 | 17.955 ±.085 | .139 ±.004 | 1 | 9.59 |
| 3/16" C/S | | | | | | | |
| 568-310-90D | 1/2 | 7/8 | 3/16 | .475 ±.005 | .210 ±.005 | 50 | \$0.33 |
| 568-312-90D | 5/8 | 1 | 3/16 | .600 ±.009 | .210 ±.005 | 50 | 0.36 |
| 568-313-90D | 11/16 | 1-1/16 | 3/16 | .662 ±.009 | .210 ±.005 | 20 | 0.41 |
| 568-315-90D | 13/16 | 1-3/16 | 3/16 | .787 ±.010 | .210 ±.005 | 20 | 0.43 |

NORTH AMERICA
PHONE 1-800-777-5617
FAX 1-800-759-6391

SALES OFFICE HOURS
8 A.M. TO 7:30 P.M. EASTERN TIME
www.HerculesUS.com

WORLDWIDE
PHONE 1-727-796-1300
FAX 1-727-797-8849

STYLE 568, 90 DURO BUNA-N O-RINGS

| Part Number | A Nom. ID | B Nom. OD | C Nom. Ht | INSIDE DIAMETER | CROSS SECTION | Package Quantity | List Price |
|---------------|-----------|-----------|-----------|-----------------|---------------|------------------|------------|
| 568-316-90D | 7/8 | 1-1/4 | 3/16 | .850 ±.010 | .210 ±.005 | 20 | 0.47 |
| 568-317-90D | 15/16 | 1-5/16 | 3/16 | .912 ±.010 | .210 ±.005 | 20 | 0.47 |
| 568-318-90D | 1 | 1-3/8 | 3/16 | .975 ±.010 | .210 ±.005 | 20 | 0.49 |
| 568-319-90D | 1-1/16 | 1-7/16 | 3/16 | 1.037 ±.010 | .210 ±.005 | 20 | 0.50 |
| 568-320-90D | 1-1/8 | 1-1/2 | 3/16 | 1.100 ±.012 | .210 ±.005 | 20 | 0.53 |
| 568-321-90D | 1-3/16 | 1-9/16 | 3/16 | 1.162 ±.012 | .210 ±.005 | 20 | 0.62 |
| 568-322-90D | 1-1/4 | 1-5/8 | 3/16 | 1.225 ±.012 | .210 ±.005 | 20 | 0.62 |
| 568-323-90D | 1-5/16 | 1-11/16 | 3/16 | 1.287 ±.012 | .210 ±.005 | 20 | 0.68 |
| 568-324-90D | 1-3/8 | 1-3/4 | 3/16 | 1.350 ±.012 | .210 ±.005 | 20 | 0.68 |
| 568-325-90D | 1-1/2 | 1-7/8 | 3/16 | 1.475 ±.015 | .210 ±.005 | 20 | 0.68 |
| 568-326-90D | 1-5/8 | 2 | 3/16 | 1.600 ±.015 | .210 ±.005 | 20 | 0.68 |
| 568-327-90D | 1-3/4 | 2-1/8 | 3/16 | 1.725 ±.015 | .210 ±.005 | 20 | 0.72 |
| 568-328-90D | 1-7/8 | 2-1/4 | 3/16 | 1.850 ±.015 | .210 ±.005 | 20 | 0.77 |
| 568-329-90D | 2 | 2-3/8 | 3/16 | 1.975 ±.018 | .210 ±.005 | 20 | 0.92 |
| 568-330-90D | 2-1/8 | 2-1/2 | 3/16 | 2.100 ±.018 | .210 ±.005 | 20 | 0.98 |
| 568-331-90D | 2-1/4 | 2-5/8 | 3/16 | 2.225 ±.018 | .210 ±.005 | 10 | 1.02 |
| 568-332-90D | 2-3/8 | 2-3/4 | 3/16 | 2.350 ±.018 | .210 ±.005 | 10 | 1.11 |
| 568-333-90D | 2-1/2 | 2-7/8 | 3/16 | 2.475 ±.020 | .210 ±.005 | 10 | 1.22 |
| 568-334-90D | 2-5/8 | 3 | 3/16 | 2.600 ±.020 | .210 ±.005 | 10 | 1.27 |
| 568-335-90D | 2-3/4 | 3-1/8 | 3/16 | 2.725 ±.020 | .210 ±.005 | 10 | 1.39 |
| 568-336-90D | 2-7/8 | 3-1/4 | 3/16 | 2.850 ±.020 | .210 ±.005 | 10 | 1.45 |
| 568-337-90D | 3 | 3-3/8 | 3/16 | 2.975 ±.024 | .210 ±.005 | 10 | 1.50 |
| 568-338-90D | 3-1/8 | 3-1/2 | 3/16 | 3.100 ±.024 | .210 ±.005 | 10 | 1.65 |
| 568-339-90D | 3-1/4 | 3-5/8 | 3/16 | 3.225 ±.024 | .210 ±.005 | 10 | 1.74 |
| 568-340-90D | 3-3/8 | 3-3/4 | 3/16 | 3.350 ±.024 | .210 ±.005 | 10 | 1.79 |
| 568-341-90D | 3-1/2 | 3-7/8 | 3/16 | 3.475 ±.024 | .210 ±.005 | 10 | 1.88 |
| 568-342-90D | 3-5/8 | 4 | 3/16 | 3.600 ±.028 | .210 ±.005 | 10 | 1.98 |
| 568-343-90D | 3-3/4 | 4-1/8 | 3/16 | 3.725 ±.028 | .210 ±.005 | 10 | 2.00 |
| 568-344-90D | 3-7/8 | 4-1/4 | 3/16 | 3.850 ±.028 | .210 ±.005 | 5 | 2.03 |
| 568-345-90D | 4 | 4-3/8 | 3/16 | 3.975 ±.028 | .210 ±.005 | 5 | 2.13 |
| 568-346-90D | 4-1/8 | 4-1/2 | 3/16 | 4.100 ±.028 | .210 ±.005 | 5 | 2.14 |
| 568-347-90D | 4-1/4 | 4-5/8 | 3/16 | 4.225 ±.030 | .210 ±.005 | 5 | 2.32 |
| 568-348-90D | 4-3/8 | 4-3/4 | 3/16 | 4.350 ±.030 | .210 ±.005 | 5 | 2.57 |
| 568-349-90D | 4-1/2 | 4-7/8 | 3/16 | 4.475 ±.030 | .210 ±.005 | 5 | 2.59 |
| 568-350-90D | 4-5/8 | 5 | 3/16 | 4.600 ±.030 | .210 ±.005 | 5 | 2.67 |
| 568-351-90D | 4-3/4 | 5-1/8 | 3/16 | 4.725 ±.030 | .210 ±.005 | 5 | 2.82 |
| 568-352-90D | 4-7/8 | 5-1/4 | 3/16 | 4.850 ±.030 | .210 ±.005 | 5 | 2.90 |
| 568-353-90D | 5 | 5-3/8 | 3/16 | 4.975 ±.037 | .210 ±.005 | 5 | 3.04 |
| 568-354-90D | 5-1/8 | 5-1/2 | 3/16 | 5.100 ±.037 | .210 ±.005 | 5 | 3.06 |
| 568-355-90D | 5-1/4 | 5-5/8 | 3/16 | 5.225 ±.037 | .210 ±.005 | 5 | 3.32 |
| 568-356-90D | 5-3/8 | 5-3/4 | 3/16 | 5.350 ±.037 | .210 ±.005 | 5 | 3.54 |
| 568-357-90D | 5-1/2 | 5-7/8 | 3/16 | 5.475 ±.037 | .210 ±.005 | 5 | 3.56 |
| 568-358-90D | 5-5/8 | 6 | 3/16 | 5.600 ±.037 | .210 ±.005 | 5 | 3.84 |
| 568-359-90D | 5-3/4 | 6-1/8 | 3/16 | 5.725 ±.037 | .210 ±.005 | 5 | 3.89 |
| 568-360-90D | 5-7/8 | 6-1/4 | 3/16 | 5.850 ±.037 | .210 ±.005 | 5 | 3.96 |
| 568-361-90D | 6 | 6-3/8 | 3/16 | 5.975 ±.037 | .210 ±.005 | 1 | 4.10 |
| 568-362-90D | 6-1/4 | 6-5/8 | 3/16 | 6.225 ±.040 | .210 ±.005 | 1 | 4.19 |
| 568-363-90D | 6-1/2 | 6-7/8 | 3/16 | 6.475 ±.040 | .210 ±.005 | 1 | 4.34 |
| 568-364-90D | 6-3/4 | 7-1/8 | 3/16 | 6.725 ±.040 | .210 ±.005 | 1 | 4.49 |
| 568-365-90D | 7 | 7-3/8 | 3/16 | 6.975 ±.040 | .210 ±.005 | 1 | 5.18 |
| 568-366-90D | 7-1/4 | 7-5/8 | 3/16 | 7.225 ±.045 | .210 ±.005 | 1 | 5.22 |
| 568-367-90D | 7-1/2 | 7-7/8 | 3/16 | 7.475 ±.045 | .210 ±.005 | 1 | 5.24 |
| 568-368-90D | 7-3/4 | 8-1/8 | 3/16 | 7.725 ±.045 | .210 ±.005 | 1 | 5.61 |
| 568-368.5-90D | 7-7/8 | 8-1/4 | 3/16 | 7.850 ±.045 | .210 ±.005 | 1 | 5.53 |
| 568-369-90D | 8 | 8-3/8 | 3/16 | 7.975 ±.045 | .210 ±.005 | 1 | 6.19 |
| 568-370-90D | 8-1/4 | 8-5/8 | 3/16 | 8.225 ±.050 | .210 ±.005 | 1 | 6.25 |
| 568-371-90D | 8-1/2 | 8-7/8 | 3/16 | 8.475 ±.050 | .210 ±.005 | 1 | 6.34 |

O-RINGS



STYLE 568, 90 DURO BUNA-N O-RINGS

| Part Number | A Nom. ID | B Nom. OD | C Nom. Ht | INSIDE DIAMETER | CROSS SECTION | Package Quantity | List Price |
|-----------------|-----------|-----------|-----------|-----------------|---------------|------------------|------------|
| 568-372-90D | 8-3/4 | 9-1/8 | 3/16 | 8.725 ±.050 | .210 ±.005 | 1 | 6.45 |
| 568-373-90D | 9 | 9-3/8 | 3/16 | 8.975 ±.050 | .210 ±.005 | 1 | 6.73 |
| 568-374-90D | 9-1/4 | 9-5/8 | 3/16 | 9.225 ±.055 | .210 ±.005 | 1 | 6.96 |
| 568-375-90D | 9-1/2 | 9-7/8 | 3/16 | 9.475 ±.055 | .210 ±.005 | 1 | 7.18 |
| 568-376-90D | 9-3/4 | 10-1/8 | 3/16 | 9.725 ±.055 | .210 ±.005 | 1 | 7.87 |
| 568-377-90D | 10 | 10-3/8 | 3/16 | 9.975 ±.055 | .210 ±.005 | 1 | 8.12 |
| 568-378-90D | 10-1/2 | 10-7/8 | 3/16 | 10.475 ±.060 | .210 ±.005 | 1 | 8.87 |
| 568-379-90D | 11 | 11-3/8 | 3/16 | 10.975 ±.060 | .210 ±.005 | 1 | 9.39 |
| 568-380-90D | 11-1/2 | 11-7/8 | 3/16 | 11.475 ±.065 | .210 ±.005 | 1 | 9.51 |
| 568-381-90D | 12 | 12-3/8 | 3/16 | 11.975 ±.065 | .210 ±.005 | 1 | 10.00 |
| 568-382-90D | 13 | 13-3/8 | 3/16 | 12.975 ±.065 | .210 ±.005 | 1 | 10.23 |
| 568-383-90D | 14 | 14-3/8 | 3/16 | 13.975 ±.070 | .210 ±.005 | 1 | 10.55 |
| 568-384-90D | 15 | 15-3/8 | 3/16 | 14.975 ±.070 | .210 ±.005 | 1 | 10.66 |
| 568-385-90D | 16 | 16-3/8 | 3/16 | 15.955 ±.075 | .210 ±.005 | 1 | 10.96 |
| 1/4" C/S | | | | | | | |
| 568-401-90D | 1-1/2 | 2 | 1/4 | 1.475 ±.014 | .275 ±.006 | 5 | \$1.07 |
| 568-402-90D | 1-5/8 | 2-1/8 | 1/4 | 1.600 ±.015 | .275 ±.006 | 5 | 1.14 |
| 568-403-90D | 1-3/4 | 2-1/4 | 1/4 | 1.725 ±.016 | .275 ±.006 | 5 | 1.30 |
| 568-404-90D | 1-7/8 | 2-3/8 | 1/4 | 1.850 ±.016 | .275 ±.006 | 5 | 1.39 |
| 568-405-90D | 2 | 2-1/2 | 1/4 | 1.975 ±.017 | .275 ±.006 | 5 | 1.46 |
| 568-406-90D | 2-1/8 | 2-5/8 | 1/4 | 2.100 ±.018 | .275 ±.006 | 5 | 1.52 |
| 568-407-90D | 2-1/4 | 2-3/4 | 1/4 | 2.225 ±.018 | .275 ±.006 | 5 | 1.52 |
| 568-408-90D | 2-3/8 | 2-7/8 | 1/4 | 2.350 ±.020 | .275 ±.006 | 5 | 1.64 |
| 568-409-90D | 2-1/2 | 3 | 1/4 | 2.475 ±.020 | .275 ±.006 | 5 | 1.80 |
| 568-410-90D | 2-5/8 | 3-1/8 | 1/4 | 2.600 ±.020 | .275 ±.006 | 5 | 1.84 |
| 568-411-90D | 2-3/4 | 3-1/4 | 1/4 | 2.725 ±.022 | .275 ±.006 | 5 | 1.90 |
| 568-412-90D | 2-7/8 | 3-3/8 | 1/4 | 2.850 ±.022 | .275 ±.006 | 5 | 2.00 |
| 568-413-90D | 3 | 3-1/2 | 1/4 | 2.975 ±.024 | .275 ±.006 | 5 | 2.03 |
| 568-414-90D | 3-1/8 | 3-5/8 | 1/4 | 3.100 ±.024 | .275 ±.006 | 5 | 2.18 |
| 568-415-90D | 3-1/4 | 3-3/4 | 1/4 | 3.225 ±.024 | .275 ±.006 | 5 | 2.28 |
| 568-416-90D | 3-3/8 | 3-7/8 | 1/4 | 3.350 ±.026 | .275 ±.006 | 5 | 2.33 |
| 568-417-90D | 3-1/2 | 4 | 1/4 | 3.475 ±.026 | .275 ±.006 | 5 | 2.40 |
| 568-418-90D | 3-5/8 | 4-1/8 | 1/4 | 3.600 ±.026 | .275 ±.006 | 5 | 2.48 |
| 568-419-90D | 3-3/4 | 4-1/4 | 1/4 | 3.725 ±.028 | .275 ±.006 | 5 | 2.53 |
| 568-420-90D | 3-7/8 | 4-3/8 | 1/4 | 3.850 ±.028 | .275 ±.006 | 5 | 2.91 |
| 568-421-90D | 4 | 4-1/2 | 1/4 | 3.975 ±.028 | .275 ±.006 | 5 | 2.97 |
| 568-422-90D | 4-1/8 | 4-5/8 | 1/4 | 4.100 ±.030 | .275 ±.006 | 5 | 3.05 |
| 568-423-90D | 4-1/4 | 4-3/4 | 1/4 | 4.225 ±.030 | .275 ±.006 | 5 | 3.09 |
| 568-424-90D | 4-3/8 | 4-7/8 | 1/4 | 4.350 ±.030 | .275 ±.006 | 5 | 3.12 |
| 568-425-90D | 4-1/2 | 5 | 1/4 | 4.475 ±.033 | .275 ±.006 | 5 | 3.13 |
| 568-426-90D | 4-5/8 | 5-1/8 | 1/4 | 4.600 ±.033 | .275 ±.006 | 5 | 3.20 |
| 568-427-90D | 4-3/4 | 5-1/4 | 1/4 | 4.725 ±.033 | .275 ±.006 | 5 | 3.28 |
| 568-428-90D | 4-7/8 | 5-3/8 | 1/4 | 4.850 ±.033 | .275 ±.006 | 5 | 3.39 |
| 568-429-90D | 5 | 5-1/2 | 1/4 | 4.975 ±.037 | .275 ±.006 | 5 | 3.44 |
| 568-430-90D | 5-1/8 | 5-5/8 | 1/4 | 5.100 ±.037 | .275 ±.006 | 5 | 3.55 |
| 568-431-90D | 5-1/4 | 5-3/4 | 1/4 | 5.225 ±.037 | .275 ±.006 | 5 | 3.56 |
| 568-432-90D | 5-3/8 | 5-7/8 | 1/4 | 5.350 ±.037 | .275 ±.006 | 5 | 3.82 |
| 568-433-90D | 5-1/2 | 6 | 1/4 | 5.475 ±.037 | .275 ±.006 | 5 | 3.86 |
| 568-434-90D | 5-5/8 | 6-1/8 | 1/4 | 5.600 ±.037 | .275 ±.006 | 5 | 3.96 |
| 568-435-90D | 5-3/4 | 6-1/4 | 1/4 | 5.725 ±.037 | .275 ±.006 | 1 | 4.02 |
| 568-436-90D | 5-7/8 | 6-3/8 | 1/4 | 5.850 ±.037 | .275 ±.006 | 1 | 4.16 |
| 568-437-90D | 6 | 6-1/2 | 1/4 | 5.975 ±.037 | .275 ±.006 | 1 | 4.59 |
| 568-438-90D | 6-1/4 | 6-3/4 | 1/4 | 6.225 ±.040 | .275 ±.006 | 1 | 4.69 |
| 568-439-90D | 6-1/2 | 7 | 1/4 | 6.475 ±.040 | .275 ±.006 | 1 | 4.92 |
| 568-440-90D | 6-3/4 | 7-1/4 | 1/4 | 6.725 ±.040 | .275 ±.006 | 1 | 4.96 |
| 568-441-90D | 7 | 7-1/2 | 1/4 | 6.975 ±.040 | .275 ±.006 | 1 | 5.41 |
| 568-442-90D | 7-1/4 | 7-3/4 | 1/4 | 7.225 ±.045 | .275 ±.006 | 1 | 5.71 |

NORTH AMERICA
PHONE 1-800-777-5617
FAX 1-800-759-6391

SALES OFFICE HOURS
8 A.M. TO 7:30 P.M. EASTERN TIME
www.HerculesUS.com

WORLDWIDE
PHONE 1-727-796-1300
FAX 1-727-797-8849

**STYLE 568, 90 DURO BUNA-N O-RINGS**

| Part Number | A Nom. ID | B Nom. OD | C Nom. Ht | INSIDE DIAMETER | CROSS SECTION | Package Quantity | List Price |
|-------------|-----------|-----------|-----------|-----------------|---------------|------------------|------------|
| 568-443-90D | 7-1/2 | 8 | 1/4 | 7.475 ±.045 | .275 ±.006 | 1 | 6.08 |
| 568-444-90D | 7-3/4 | 8-1/4 | 1/4 | 7.725 ±.045 | .275 ±.006 | 1 | 6.32 |
| 568-445-90D | 8 | 8-1/2 | 1/4 | 7.975 ±.045 | .275 ±.006 | 1 | 6.62 |
| 568-446-90D | 8-1/2 | 9 | 1/4 | 8.475 ±.055 | .275 ±.006 | 1 | 6.91 |
| 568-447-90D | 9 | 9-1/2 | 1/4 | 8.975 ±.055 | .275 ±.006 | 1 | 7.07 |
| 568-448-90D | 9-1/2 | 10 | 1/4 | 9.475 ±.055 | .275 ±.006 | 1 | 7.25 |
| 568-449-90D | 10 | 10-1/2 | 1/4 | 9.975 ±.055 | .275 ±.006 | 1 | 8.37 |
| 568-450-90D | 10-1/2 | 11 | 1/4 | 10.475 ±.060 | .275 ±.006 | 1 | 10.18 |
| 568-451-90D | 11 | 11-1/2 | 1/4 | 10.975 ±.060 | .275 ±.006 | 1 | 10.93 |
| 568-452-90D | 11-1/2 | 12 | 1/4 | 11.475 ±.060 | .275 ±.006 | 1 | 14.31 |
| 568-453-90D | 12 | 12-1/2 | 1/4 | 11.975 ±.060 | .275 ±.006 | 1 | 14.82 |
| 568-454-90D | 12-1/2 | 13 | 1/4 | 12.475 ±.060 | .275 ±.006 | 1 | 20.05 |
| 568-455-90D | 13 | 13-1/2 | 1/4 | 12.975 ±.060 | .275 ±.006 | 1 | 15.56 |
| 568-456-90D | 13-1/2 | 14 | 1/4 | 13.475 ±.070 | .275 ±.006 | 1 | 15.24 |
| 568-457-90D | 14 | 14-1/2 | 1/4 | 13.975 ±.070 | .275 ±.006 | 1 | 15.50 |
| 568-458-90D | 14-1/2 | 15 | 1/4 | 14.475 ±.070 | .275 ±.006 | 1 | 15.77 |
| 568-459-90D | 15 | 15-1/2 | 1/4 | 14.975 ±.070 | .275 ±.006 | 1 | 15.91 |
| 568-460-90D | 15-1/2 | 16 | 1/4 | 15.475 ±.070 | .275 ±.006 | 1 | 16.30 |
| 568-461-90D | 16 | 16-1/2 | 1/4 | 15.955 ±.075 | .275 ±.006 | 1 | 18.68 |
| 568-462-90D | 16-1/2 | 17 | 1/4 | 16.455 ±.075 | .275 ±.006 | 1 | 18.90 |
| 568-463-90D | 17 | 17-1/2 | 1/4 | 16.955 ±.080 | .275 ±.006 | 1 | 19.20 |
| 568-464-90D | 17-1/2 | 18 | 1/4 | 17.455 ±.085 | .275 ±.006 | 1 | 19.46 |
| 568-466-90D | 18-1/2 | 19 | 1/4 | 18.455 ±.085 | .275 ±.006 | 1 | 21.08 |
| 568-468-90D | 19-1/2 | 20 | 1/4 | 19.455 ±.090 | .275 ±.006 | 1 | 22.79 |
| 568-469-90D | 20 | 20-1/2 | 1/4 | 19.955 ±.090 | .275 ±.006 | 1 | 23.62 |
| 568-471-90D | 22 | 22-1/2 | 1/4 | 21.955 ±.100 | .275 ±.006 | 1 | 26.23 |
| 568-472-90D | 23 | 23-1/2 | 1/4 | 22.940 ±.105 | .275 ±.006 | 1 | 32.10 |
| 568-473-90D | 24 | 24-1/2 | 1/4 | 23.940 ±.110 | .275 ±.006 | 1 | 34.55 |

O-RINGS



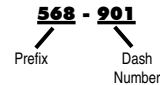
STYLE 568, 90 DURO BUNA-N O-RING BOSS GASKETS FOR STRAIGHT THREAD FITTINGS

| AS-568A UNIVERSAL SERIES DASH NO. | TUBE SIZE (OD) INCHES | ACTUAL SIZE | |
|--|-----------------------------|-------------|------------|
| | | ID | W. |
| -901 | 3/32 | .185 ±.005 | .056 ±.003 |
| -902 | 1/8 | .239 ±.005 | .064 ±.003 |
| -903 | 3/16 | .301 ±.005 | .064 ±.003 |
| -904 | 1/4 | .351 ±.005 | .072 ±.003 |
| -905 | 5/16 | .414 ±.005 | .072 ±.003 |
| -906 | 3/8 | .468 ±.005 | .078 ±.003 |
| -907 | 7/16 | .530 ±.005 | .082 ±.003 |
| -908 | 1/2 | .644 ±.009 | .087 ±.003 |
| -909 | 9/16 | .706 ±.009 | .097 ±.003 |
| -910 | 5/8 | .755 ±.009 | .097 ±.003 |
| -911 | 11/16 | .863 ±.009 | .116 ±.004 |
| -912 | 3/4 | .924 ±.009 | .116 ±.004 |
| -913 | 13/16 | .986 ±.010 | .116 ±.004 |
| -914 | 7/8 | 1.047 ±.010 | .116 ±.004 |
| -916 | 1 | 1.171 ±.010 | .116 ±.004 |
| -918 | 1-1/8 | 1.355 ±.012 | .116 ±.004 |
| -920 | 1-1/4 | 1.475 ±.012 | .118 ±.004 |
| -924 | 1-1/2 | 1.720 ±.014 | .118 ±.004 |
| -928 | 1-3/4 | 2.090 ±.018 | .118 ±.004 |
| -932 | 2 | 2.337 ±.018 | .118 ±.004 |

SEAL INFORMATION

| | |
|----------------------|-------------------------------|
| MATERIAL | 90 DUROMETER BUNA-N RUBBER |
| TEMPERATURE RANGE | -40° TO +240° F |

HERCULES PART NUMBERS



O-RINGS

| Part Number | INSIDE DIAMETER | CROSS SECTION | Package Quantity | List Price |
|-------------|-----------------|---------------|------------------|------------|
| 568-901 | .185 ±.005 | .056 ±.003 | 50 | \$0.16 |
| 568-902 | .239 ±.005 | .064 ±.003 | 50 | 0.16 |
| 568-903 | .301 ±.005 | .064 ±.003 | 50 | 0.16 |
| 568-903-70D | .301 ±.005 | .064 ±.003 | 29 | 0.08 |
| 568-904 | .351 ±.005 | .072 ±.003 | 50 | 0.22 |
| 568-905 | .414 ±.005 | .072 ±.003 | 50 | 0.22 |
| 568-906 | .468 ±.005 | .078 ±.003 | 50 | 0.22 |
| 568-907 | .530 ±.005 | .082 ±.003 | 50 | 0.22 |
| 568-908 | .644 ±.009 | .087 ±.003 | 50 | 0.25 |
| 568-909 | .706 ±.009 | .097 ±.003 | 50 | 0.25 |
| 568-910 | .755 ±.009 | .097 ±.003 | 50 | 0.26 |
| 568-911 | .863 ±.009 | .116 ±.004 | 50 | 0.28 |
| 568-911-70D | .863 ±.009 | .116 ±.004 | 20 | 0.16 |
| 568-912 | .924 ±.009 | .116 ±.004 | 50 | 0.32 |
| 568-913 | .986 ±.010 | .116 ±.004 | 20 | 0.34 |
| 568-914 | 1.047 ±.010 | .116 ±.004 | 20 | 0.38 |
| 568-916 | 1.171 ±.010 | .116 ±.004 | 20 | 0.42 |
| 568-918 | 1.355 ±.012 | .116 ±.004 | 20 | 0.48 |
| 568-918-70D | 1.355 ±.012 | .116 ±.004 | 10 | 0.32 |
| 568-920 | 1.475 ±.012 | .118 ±.004 | 20 | 0.53 |
| 568-924 | 1.720 ±.014 | .118 ±.004 | 10 | 0.77 |
| 568-928 | 2.090 ±.018 | .118 ±.004 | 10 | 0.93 |
| 568-928-70D | 2.090 ±.018 | .118 ±.004 | 9 | 0.57 |
| 568-932 | 2.337 ±.018 | .118 ±.004 | 10 | 1.01 |
| 568-932-70D | 2.337 ±.018 | .118 ±.004 | 8 | 0.60 |

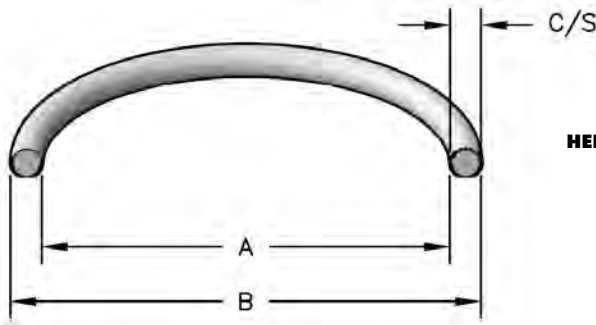
NORTH AMERICA
PHONE 1-800-777-5617
FAX 1-800-759-6391

SALES OFFICE HOURS
8 A.M. TO 7:30 P.M. EASTERN TIME
www.HerculesUS.com

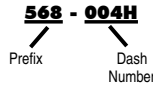
WORLDWIDE
PHONE 1-727-796-1300
FAX 1-727-797-8849

STYLE 568, 70 DURO HNBR O-RINGS

Hydrogenated Nitrile Rubber (HNBR), also known as Highly Saturated Nitrile (HSN), is a compound with superior heat, ozone, chemical resistance, tensile strength and abrasion resistance over natural rubber. HNBR provides excellent service life in most sealing applications such as oilfield, automotive and refrigerants.



HERCULES PART NUMBERS



| SEAL INFORMATION | |
|-------------------|---|
| MATERIAL | HIGHLY SATURATED NITRILE |
| TEMPERATURE RANGE | -40° TO +300° F |
| PRESSURE RANGE | VARIABLE ACCORDING TO DIAMETRAL CLEARANCE |

O-RINGS

| Part Number | A Nom. ID | B Nom. OD | C Nom. Ht | O-RING DASH NUMBER | INSIDE DIAMETER | CROSS SECTION | Package Quantity | List Price |
|------------------|-----------|-----------|-----------|--------------------|-----------------|---------------|------------------|------------|
| 1/16" C/S | | | | | | | | |
| 568-004H | 5/64 | 13/64 | 1/16 | -004 | .070 ±.005 | .070 ±.003 | 50 | \$0.04 |
| 568-005H | 3/32 | 7/32 | 1/16 | -005 | .101 ±.005 | .070 ±.003 | 50 | 0.04 |
| 568-006H | 1/8 | 1/4 | 1/16 | -006 | .114 ±.005 | .070 ±.003 | 50 | 0.04 |
| 568-007H | 5/32 | 9/32 | 1/16 | -007 | .145 ±.005 | .070 ±.003 | 50 | 0.05 |
| 568-008H | 3/16 | 5/16 | 1/16 | -008 | .176 ±.005 | .070 ±.003 | 50 | 0.05 |
| 568-009H | 7/32 | 11/32 | 1/16 | -009 | .208 ±.005 | .070 ±.003 | 50 | 0.05 |
| 568-010H | 1/4 | 3/8 | 1/16 | -010 | .239 ±.005 | .070 ±.003 | 50 | 0.06 |
| 568-011H | 5/16 | 7/16 | 1/16 | -011 | .301 ±.005 | .070 ±.003 | 50 | 0.07 |
| 568-012H | 3/8 | 1/2 | 1/16 | -012 | .364 ±.005 | .070 ±.003 | 50 | 0.08 |
| 568-013H | 7/16 | 9/16 | 1/16 | -013 | .426 ±.005 | .070 ±.003 | 50 | 0.08 |
| 568-014H | 1/2 | 5/8 | 1/16 | -014 | .489 ±.005 | .070 ±.003 | 50 | 0.09 |
| 568-015H | 9/16 | 11/16 | 1/16 | -015 | .551 ±.007 | .070 ±.003 | 50 | 0.11 |
| 568-016H | 5/8 | 3/4 | 1/16 | -016 | .614 ±.009 | .070 ±.003 | 50 | 0.12 |
| 568-017H | 11/16 | 13/16 | 1/16 | -017 | .676 ±.009 | .070 ±.003 | 50 | 0.13 |
| 568-018H | 3/4 | 7/8 | 1/16 | -018 | .739 ±.009 | .070 ±.003 | 50 | 0.16 |
| 568-019H | 13/16 | 15/16 | 1/16 | -019 | .801 ±.009 | .070 ±.003 | 50 | 0.17 |
| 568-020H | 7/8 | 1 | 1/16 | -020 | .864 ±.009 | .070 ±.003 | 50 | 0.19 |
| 568-021H | 15/16 | 1-1/16 | 1/16 | -021 | .926 ±.009 | .070 ±.003 | 50 | 0.21 |
| 568-022H | 1 | 1-1/8 | 1/16 | -022 | .989 ±.010 | .070 ±.003 | 50 | 0.22 |
| 568-023H | 1-1/16 | 1-3/16 | 1/16 | -023 | 1.051 ±.010 | .070 ±.003 | 50 | 0.23 |
| 568-024H | 1-1/8 | 1-1/4 | 1/16 | -024 | 1.114 ±.010 | .070 ±.003 | 50 | 0.26 |
| 568-025H | 1-3/16 | 1-5/16 | 1/16 | -025 | 1.176 ±.011 | .070 ±.003 | 50 | 0.30 |
| 568-026H | 1-1/4 | 1-3/8 | 1/16 | -026 | 1.239 ±.011 | .070 ±.003 | 50 | 0.30 |
| 568-027H | 1-5/16 | 1-7/16 | 1/16 | -027 | 1.301 ±.011 | .070 ±.003 | 50 | 0.30 |
| 568-028H | 1-3/8 | 1-1/2 | 1/16 | -028 | 1.364 ±.013 | .070 ±.003 | 20 | 0.34 |
| 568-031H | 1-3/4 | 1-7/8 | 1/16 | -031 | 1.739 ±.015 | .070 ±.003 | 20 | 0.41 |
| 568-033H | 2 | 2-1/8 | 1/16 | -033 | 1.989 ±.018 | .070 ±.003 | 10 | 0.60 |
| 568-037H | 2-1/2 | 2-5/8 | 1/16 | -037 | 2.489 ±.018 | .070 ±.003 | 10 | 0.70 |
| 568-046H | 4-1/4 | 4-3/8 | 1/16 | -046 | 4.239 ±.030 | .070 ±.003 | 5 | 1.34 |
| 3/32" C/S | | | | | | | | |
| 568-106H | 3/16 | 3/8 | 3/32 | -106 | .174 ±.005 | .103 ±.003 | 50 | \$0.08 |
| 568-108H | 1/4 | 7/16 | 3/32 | -108 | .237 ±.005 | .103 ±.003 | 50 | 0.11 |
| 568-110H | 3/8 | 9/16 | 3/32 | -110 | .362 ±.005 | .103 ±.003 | 50 | 0.13 |
| 568-111H | 7/16 | 5/8 | 3/32 | -111 | .424 ±.005 | .103 ±.003 | 50 | 0.16 |
| 568-112H | 1/2 | 11/16 | 3/32 | -112 | .487 ±.005 | .103 ±.003 | 50 | 0.17 |
| 568-113H | 9/16 | 3/4 | 3/32 | -113 | .549 ±.005 | .103 ±.003 | 50 | 0.20 |
| 568-114H | 5/8 | 13/16 | 3/32 | -114 | .612 ±.009 | .103 ±.003 | 50 | 0.20 |
| 568-115H | 11/16 | 7/8 | 3/32 | -115 | .674 ±.009 | .103 ±.003 | 25 | 0.22 |
| 568-116H | 3/4 | 15/16 | 3/32 | -116 | .737 ±.009 | .103 ±.003 | 25 | 0.25 |
| 568-117H | 13/16 | 1 | 3/32 | -117 | .799 ±.010 | .103 ±.003 | 25 | 0.26 |

FORMERLY LISTED SEALS ARE AVAILABLE ONLINE AT WWW.HERCULESUS.COM
OR BY CONTACTING YOUR REGIONAL HERCULES SALES TEAM.



STYLE 568, 70 DURO HNBR O-RINGS

O-RINGS

| Part Number | A Nom. ID | B Nom. OD | C Nom. Ht | O-RING DASH NUMBER | INSIDE DIAMETER | CROSS SECTION | Package Quantity | List Price |
|-----------------|-----------|-----------|-----------|--------------------|-----------------|---------------|------------------|------------|
| 568-118H | 7/8 | 1-1/16 | 3/32 | -118 | .862 ±.010 | .103 ±.003 | 25 | 0.28 |
| 568-119H | 15/16 | 1-1/8 | 3/32 | -119 | .924 ±.010 | .103 ±.003 | 25 | 0.30 |
| 568-120H | 1 | 1-3/16 | 3/32 | -120 | .987 ±.010 | .103 ±.003 | 25 | 0.30 |
| 568-121H | 1-1/16 | 1-1/4 | 3/32 | -121 | 1.049 ±.010 | .103 ±.003 | 25 | 0.34 |
| 568-123H | 1-3/16 | 1-3/8 | 3/32 | -123 | 1.174 ±.012 | .103 ±.003 | 25 | 0.39 |
| 568-124H | 1-1/4 | 1-7/16 | 3/32 | -124 | 1.237 ±.012 | .103 ±.003 | 25 | 0.41 |
| 568-125H | 1-5/16 | 1-1/2 | 3/32 | -125 | 1.299 ±.012 | .103 ±.003 | 20 | 0.46 |
| 568-126H | 1-3/8 | 1-9/16 | 3/32 | -126 | 1.362 ±.012 | .103 ±.003 | 20 | 0.48 |
| 568-127H | 1-7/16 | 1-5/8 | 3/32 | -127 | 1.424 ±.012 | .103 ±.003 | 20 | 0.53 |
| 568-128H | 1-1/2 | 1-11/16 | 3/32 | -128 | 1.487 ±.012 | .103 ±.003 | 20 | 0.53 |
| 568-129H | 1-9/16 | 1-3/4 | 3/32 | -129 | 1.549 ±.015 | .103 ±.003 | 20 | 0.54 |
| 568-131H | 1-11/16 | 1-7/8 | 3/32 | -131 | 1.674 ±.015 | .103 ±.003 | 15 | 0.58 |
| 568-132H | 1-3/4 | 1-15/16 | 3/32 | -132 | 1.737 ±.015 | .103 ±.003 | 15 | 0.59 |
| 568-136H | 2 | 2-3/16 | 3/32 | -136 | 1.987 ±.017 | .103 ±.003 | 10 | 0.78 |
| 568-137H | 2-1/16 | 2-1/4 | 3/32 | -137 | 2.050 ±.017 | .103 ±.003 | 10 | 0.78 |
| 568-138H | 2-1/8 | 2-5/16 | 3/32 | -138 | 2.112 ±.017 | .103 ±.003 | 10 | 0.83 |
| 568-141H | 2-5/16 | 2-1/2 | 3/32 | -141 | 2.300 ±.020 | .103 ±.003 | 10 | 0.91 |
| 568-144H | 2-1/2 | 2-11/16 | 3/32 | -144 | 2.487 ±.020 | .103 ±.003 | 10 | 1.09 |
| 568-146H | 2-5/8 | 2-13/16 | 3/32 | -146 | 2.612 ±.020 | .103 ±.003 | 10 | 1.00 |
| 568-151H | 3 | 3-3/16 | 3/32 | -151 | 2.987 ±.024 | .103 ±.003 | 5 | 1.31 |
| 568-155H | 4 | 4-3/16 | 3/32 | -155 | 3.987 ±.028 | .103 ±.003 | 5 | 1.74 |
| 568-159H | 5 | 5-3/16 | 3/32 | -159 | 4.987 ±.035 | .103 ±.003 | 3 | 2.43 |
| 568-165H | 6-1/2 | 6-11/16 | 3/32 | -165 | 6.487 ±.040 | .103 ±.003 | 3 | 2.72 |
| 1/8" C/S | | | | | | | | |
| 568-204H | 3/8 | 5/8 | 1/8 | -204 | .359 ±.005 | .139 ±.004 | 25 | \$0.25 |
| 568-210H | 3/4 | 1 | 1/8 | -210 | .734 ±.010 | .139 ±.004 | 25 | 0.45 |
| 568-211H | 13/16 | 1-1/16 | 1/8 | -211 | .796 ±.010 | .139 ±.004 | 25 | 0.45 |
| 568-212H | 7/8 | 1-1/8 | 1/8 | -212 | .859 ±.010 | .139 ±.004 | 25 | 0.48 |
| 568-213H | 15/16 | 1-3/16 | 1/8 | -213 | .921 ±.010 | .139 ±.004 | 25 | 0.53 |
| 568-214H | 1 | 1-1/4 | 1/8 | -214 | .984 ±.010 | .139 ±.004 | 25 | 0.54 |
| 568-215H | 1-1/16 | 1-5/16 | 1/8 | -215 | 1.046 ±.010 | .139 ±.004 | 15 | 0.55 |
| 568-216H | 1-1/8 | 1-3/8 | 1/8 | -216 | 1.109 ±.012 | .139 ±.004 | 15 | 0.59 |
| 568-217H | 1-3/16 | 1-7/16 | 1/8 | -217 | 1.171 ±.012 | .139 ±.004 | 15 | 0.61 |
| 568-218H | 1-1/4 | 1-1/2 | 1/8 | -218 | 1.234 ±.012 | .139 ±.004 | 15 | 0.68 |
| 568-219H | 1-5/16 | 1-9/16 | 1/8 | -219 | 1.296 ±.012 | .139 ±.004 | 15 | 0.71 |
| 568-220H | 1-3/8 | 1-5/8 | 1/8 | -220 | 1.359 ±.012 | .139 ±.004 | 15 | 0.75 |
| 568-222H | 1-1/2 | 1-3/4 | 1/8 | -222 | 1.484 ±.015 | .139 ±.004 | 10 | 0.80 |
| 568-223H | 1-5/8 | 1-7/8 | 1/8 | -223 | 1.609 ±.015 | .139 ±.004 | 10 | 0.87 |
| 568-224H | 1-3/4 | 2 | 1/8 | -224 | 1.734 ±.015 | .139 ±.004 | 10 | 0.91 |
| 568-225H | 1-7/8 | 2-1/8 | 1/8 | -225 | 1.859 ±.018 | .139 ±.004 | 10 | 1.01 |
| 568-226H | 2 | 2-1/4 | 1/8 | -226 | 1.984 ±.018 | .139 ±.004 | 10 | 1.11 |
| 568-227H | 2-1/8 | 2-3/8 | 1/8 | -227 | 2.109 ±.018 | .139 ±.004 | 10 | 1.18 |
| 568-228H | 2-1/4 | 2-1/2 | 1/8 | -228 | 2.234 ±.020 | .139 ±.004 | 10 | 1.45 |
| 568-229H | 2-3/8 | 2-5/8 | 1/8 | -229 | 2.359 ±.020 | .139 ±.004 | 10 | 1.30 |
| 568-230H | 2-1/2 | 2-3/4 | 1/8 | -230 | 2.484 ±.020 | .139 ±.004 | 10 | 1.44 |
| 568-231H | 2-5/8 | 2-7/8 | 1/8 | -231 | 2.609 ±.020 | .139 ±.004 | 5 | 1.48 |
| 568-232H | 2-3/4 | 3 | 1/8 | -232 | 2.734 ±.024 | .139 ±.004 | 5 | 1.65 |
| 568-234H | 3 | 3-1/4 | 1/8 | -234 | 2.984 ±.024 | .139 ±.004 | 5 | 1.65 |
| 568-236H | 3-1/4 | 3-1/2 | 1/8 | -236 | 3.234 ±.024 | .139 ±.004 | 5 | 1.69 |
| 568-237H | 3-3/8 | 3-5/8 | 1/8 | -237 | 3.359 ±.024 | .139 ±.004 | 5 | 1.72 |
| 568-238H | 3-1/2 | 3-3/4 | 1/8 | -238 | 3.484 ±.024 | .139 ±.004 | 5 | 1.94 |
| 568-239H | 3-5/8 | 3-7/8 | 1/8 | -239 | 3.609 ±.028 | .139 ±.004 | 5 | 1.98 |
| 568-240H | 3-3/4 | 4 | 1/8 | -240 | 3.734 ±.028 | .139 ±.004 | 5 | 2.02 |
| 568-242H | 4 | 4-1/4 | 1/8 | -242 | 3.984 ±.028 | .139 ±.004 | 5 | 2.11 |
| 568-244H | 4-1/4 | 4-1/2 | 1/8 | -244 | 4.234 ±.030 | .139 ±.004 | 5 | 2.32 |
| 568-245H | 4-3/8 | 4-5/8 | 1/8 | -245 | 4.359 ±.030 | .139 ±.004 | 5 | 2.66 |
| 568-246H | 4-1/2 | 4-3/4 | 1/8 | -246 | 4.484 ±.030 | .139 ±.004 | 3 | 2.76 |

NORTH AMERICA
PHONE 1-800-777-5617
FAX 1-800-759-6391

SALES OFFICE HOURS
8 A.M. TO 7:30 P.M. EASTERN TIME
www.HerculesUS.com

WORLDWIDE
PHONE 1-727-796-1300
FAX 1-727-797-8849



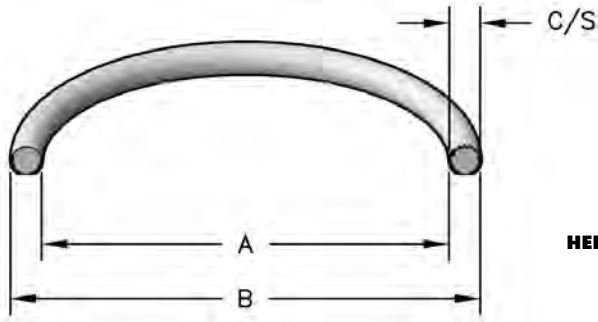
STYLE 568, 70 DURO HNBR O-RINGS

| Part Number | A Nom. ID | B Nom. OD | C Nom. Ht | O-RING DASH NUMBER | INSIDE DIAMETER | CROSS SECTION | Package Quantity | List Price |
|------------------|-----------|-----------|-----------|--------------------|-----------------|---------------|------------------|------------|
| 568-247H | 4-5/8 | 4-7/8 | 1/8 | -247 | 4.609 ±.030 | .139 ±.004 | 3 | 2.87 |
| 568-248H | 4-3/4 | 5 | 1/8 | -248 | 4.734 ±.030 | .139 ±.004 | 3 | 2.92 |
| 568-251H | 5-1/8 | 5-3/8 | 1/8 | -251 | 5.109 ±.035 | .139 ±.004 | 3 | 3.14 |
| 568-254H | 5-1/2 | 5-3/4 | 1/8 | -254 | 5.484 ±.035 | .139 ±.004 | 3 | 3.23 |
| 568-255H | 5-5/8 | 5-7/8 | 1/8 | -255 | 5.609 ±.035 | .139 ±.004 | 3 | 3.26 |
| 568-256H | 5-3/4 | 6 | 1/8 | -256 | 5.734 ±.035 | .139 ±.004 | 3 | 3.35 |
| 568-257H | 5-7/8 | 6-1/8 | 1/8 | -257 | 5.859 ±.035 | .139 ±.004 | 3 | 3.39 |
| 3/16" C/S | | | | | | | | |
| 568-328H | 1-7/8 | 2-1/4 | 3/16 | -328 | 1.850 ±.015 | .210 ±.005 | 5 | \$2.08 |
| 568-333H | 2-1/2 | 2-7/8 | 3/16 | -333 | 2.475 ±.020 | .210 ±.005 | 5 | 2.63 |
| 568-338H | 3-1/8 | 3-1/2 | 3/16 | -338 | 3.100 ±.024 | .210 ±.005 | 3 | 3.24 |
| 568-340H | 3-3/8 | 3-3/4 | 3/16 | -340 | 3.350 ±.024 | .210 ±.005 | 3 | 3.56 |
| 568-343H | 3-3/4 | 4-1/8 | 3/16 | -343 | 3.725 ±.028 | .210 ±.005 | 3 | 3.87 |
| 568-346H | 4-1/8 | 4-1/2 | 3/16 | -346 | 4.100 ±.028 | .210 ±.005 | 2 | 4.45 |
| 568-348H | 4-3/8 | 4-3/4 | 3/16 | -348 | 4.350 ±.030 | .210 ±.005 | 2 | 4.69 |
| 568-353H | 5 | 5-3/8 | 3/16 | -353 | 4.975 ±.037 | .210 ±.005 | 2 | 5.29 |
| 568-363H | 6-1/2 | 6-7/8 | 3/16 | -363 | 6.475 ±.040 | .210 ±.005 | 1 | 7.48 |
| 1/4" C/S | | | | | | | | |
| 568-439H | 6-1/2 | 7 | 1/4 | -439 | 6.475 ±.040 | .275 ±.006 | 1 | \$11.12 |

O-RINGS



STYLE 568, 75 DURO FLUOROCARBON O-RINGS



HERCULES PART NUMBERS

568 - 001 V
 Prefix Dash Number

SEAL INFORMATION

| | |
|-------------------|---|
| MATERIAL | BROWN FLUOROCARBON |
| TEMPERATURE RANGE | -20° TO +400° F |
| PRESSURE RANGE | VARIES ACCORDING TO DIAMETRAL CLEARANCE |

O-RINGS

| Part Number | A Nom. ID | B Nom. OD | C Nom. Ht | INSIDE DIAMETER | CROSS SECTION | Package Quantity | List Price |
|------------------|-----------|-----------|-----------|-----------------|---------------|------------------|------------|
| 1/32" C/S | | | | | | | |
| 568-001V | 1/32 | 3/32 | 1/32 | .029 ±.004 | .040 ±.003 | 56 | \$0.36 |
| 3/64" C/S | | | | | | | |
| 568-002V | 3/64 | 9/64 | 3/64 | .042 ±.004 | .050 ±.003 | 50 | \$0.36 |
| 1/16" C/S | | | | | | | |
| 568-003V | 1/16 | 3/16 | 1/16 | .056 ±.004 | .060 ±.003 | 40 | \$0.36 |
| 568-004V | 5/64 | 13/64 | 1/16 | .070 ±.005 | .070 ±.003 | 40 | 0.36 |
| 568-005V | 3/32 | 7/32 | 1/16 | .101 ±.005 | .070 ±.003 | 40 | 0.36 |
| 568-006V | 1/8 | 1/4 | 1/16 | .114 ±.005 | .070 ±.003 | 40 | 0.36 |
| 568-007V | 5/32 | 9/32 | 1/16 | .145 ±.005 | .070 ±.003 | 40 | 0.36 |
| 568-008V | 3/16 | 5/16 | 1/16 | .176 ±.005 | .070 ±.003 | 40 | 0.36 |
| 568-009V | 7/32 | 11/32 | 1/16 | .208 ±.005 | .070 ±.003 | 30 | 0.36 |
| 568-010V | 1/4 | 3/8 | 1/16 | .239 ±.005 | .070 ±.003 | 30 | 0.36 |
| 568-011V | 5/16 | 7/16 | 1/16 | .301 ±.005 | .070 ±.003 | 30 | 0.36 |
| 568-012V | 3/8 | 1/2 | 1/16 | .364 ±.005 | .070 ±.003 | 20 | 0.38 |
| 568-013V | 7/16 | 9/16 | 1/16 | .426 ±.005 | .070 ±.003 | 20 | 0.41 |
| 568-014V | 1/2 | 5/8 | 1/16 | .489 ±.005 | .070 ±.003 | 20 | 0.41 |
| 568-015V | 9/16 | 11/16 | 1/16 | .551 ±.007 | .070 ±.003 | 20 | 0.48 |
| 568-016V | 5/8 | 3/4 | 1/16 | .614 ±.009 | .070 ±.003 | 20 | 0.48 |
| 568-017V | 11/16 | 13/16 | 1/16 | .676 ±.009 | .070 ±.003 | 15 | 0.48 |
| 568-018V | 3/4 | 7/8 | 1/16 | .739 ±.009 | .070 ±.003 | 15 | 0.48 |
| 568-019V | 13/16 | 15/16 | 1/16 | .801 ±.009 | .070 ±.003 | 15 | 0.53 |
| 568-020V | 7/8 | 1 | 1/16 | .864 ±.009 | .070 ±.003 | 15 | 0.57 |
| 568-021V | 15/16 | 1-1/16 | 1/16 | .926 ±.009 | .070 ±.003 | 15 | 0.60 |
| 568-022V | 1 | 1-1/8 | 1/16 | .989 ±.010 | .070 ±.003 | 15 | 0.66 |
| 568-023V | 1-1/16 | 1-3/16 | 1/16 | 1.051 ±.010 | .070 ±.003 | 15 | 0.66 |
| 568-024V | 1-1/8 | 1-1/4 | 1/16 | 1.114 ±.010 | .070 ±.003 | 15 | 0.81 |
| 568-025V | 1-3/16 | 1-5/16 | 1/16 | 1.176 ±.011 | .070 ±.003 | 8 | 0.81 |
| 568-026V | 1-1/4 | 1-3/8 | 1/16 | 1.239 ±.011 | .070 ±.003 | 10 | 0.88 |
| 568-027V | 1-5/16 | 1-7/16 | 1/16 | 1.301 ±.011 | .070 ±.003 | 10 | 0.90 |
| 568-028V | 1-3/8 | 1-1/2 | 1/16 | 1.364 ±.013 | .070 ±.003 | 10 | 1.01 |
| 568-029V | 1-1/2 | 1-5/8 | 1/16 | 1.489 ±.013 | .070 ±.003 | 10 | 1.15 |
| 568-030V | 1-5/8 | 1-3/4 | 1/16 | 1.614 ±.013 | .070 ±.003 | 5 | 1.22 |
| 568-031V | 1-3/4 | 1-7/8 | 1/16 | 1.739 ±.015 | .070 ±.003 | 5 | 1.39 |
| 568-032V | 1-7/8 | 2 | 1/16 | 1.864 ±.015 | .070 ±.003 | 5 | 1.64 |
| 568-033V | 2 | 2-1/8 | 1/16 | 1.989 ±.018 | .070 ±.003 | 5 | 1.77 |
| 568-034V | 2-1/8 | 2-1/4 | 1/16 | 2.114 ±.018 | .070 ±.003 | 3 | 1.77 |
| 568-035V | 2-1/4 | 2-3/8 | 1/16 | 2.239 ±.018 | .070 ±.003 | 3 | 1.81 |
| 568-036V | 2-3/8 | 2-1/2 | 1/16 | 2.364 ±.018 | .070 ±.003 | 3 | 2.09 |
| 568-037V | 2-1/2 | 2-5/8 | 1/16 | 2.489 ±.018 | .070 ±.003 | 3 | 2.12 |
| 568-038V | 2-5/8 | 2-3/4 | 1/16 | 2.614 ±.020 | .070 ±.003 | 3 | 2.19 |
| 568-039V | 2-3/4 | 2-7/8 | 1/16 | 2.739 ±.020 | .070 ±.003 | 3 | 2.33 |
| 568-040V | 2-7/8 | 3 | 1/16 | 2.864 ±.020 | .070 ±.003 | 3 | 2.40 |

NORTH AMERICA
 PHONE 1-800-777-5617
 FAX 1-800-759-6391

SALES OFFICE HOURS
 8 A.M. TO 7:30 P.M. EASTERN TIME
 www.HerculesUS.com

WORLDWIDE
 PHONE 1-727-796-1300
 FAX 1-727-797-8849



STYLE 568, 75 DURO FLUOROCARBON O-RINGS

| Part Number | A Nom. ID | B Nom. OD | C Nom. Ht | INSIDE DIAMETER | CROSS SECTION | Package Quantity | List Price |
|------------------|-----------|-----------|-----------|-----------------|---------------|------------------|------------|
| 568-041V | 3 | 3-1/8 | 1/16 | 2.989 ±.024 | .070 ±.003 | 3 | 2.76 |
| 568-042V | 3-1/4 | 3-3/8 | 1/16 | 3.239 ±.024 | .070 ±.003 | 3 | 3.24 |
| 568-043V | 3-1/2 | 3-5/8 | 1/16 | 3.489 ±.024 | .070 ±.003 | 3 | 3.50 |
| 568-044V | 3-3/4 | 3-7/8 | 1/16 | 3.739 ±.027 | .070 ±.003 | 3 | 3.74 |
| 568-045V | 4 | 4-1/8 | 1/16 | 3.989 ±.027 | .070 ±.003 | 2 | 4.08 |
| 568-046V | 4-1/4 | 4-3/8 | 1/16 | 4.239 ±.030 | .070 ±.003 | 2 | 4.26 |
| 568-047V | 4-1/2 | 4-5/8 | 1/16 | 4.489 ±.030 | .070 ±.003 | 2 | 4.75 |
| 568-048V | 4-3/4 | 4-7/8 | 1/16 | 4.739 ±.030 | .070 ±.003 | 2 | 4.93 |
| 568-049V | 5 | 5-1/8 | 1/16 | 4.989 ±.037 | .070 ±.003 | 2 | 6.43 |
| 568-050V | 5-1/4 | 5-3/8 | 1/16 | 5.239 ±.037 | .070 ±.003 | 1 | 6.88 |
| 3/32" C/S | | | | | | | |
| 568-102V | 1/16 | 1/4 | 3/32 | .049 ±.005 | .103 ±.003 | 50 | \$0.43 |
| 568-104V | 1/8 | 5/16 | 3/32 | .112 ±.005 | .103 ±.003 | 15 | 0.46 |
| 568-105V | 5/32 | 11/32 | 3/32 | .143 ±.005 | .103 ±.003 | 27 | 0.48 |
| 568-106V | 3/16 | 3/8 | 3/32 | .174 ±.005 | .103 ±.003 | 15 | 0.46 |
| 568-107V | 7/32 | 13/32 | 3/32 | .206 ±.005 | .103 ±.003 | 15 | 0.46 |
| 568-108V | 1/4 | 7/16 | 3/32 | .237 ±.005 | .103 ±.003 | 15 | 0.48 |
| 568-109V | 5/16 | 1/2 | 3/32 | .299 ±.005 | .103 ±.003 | 15 | 0.51 |
| 568-110V | 3/8 | 9/16 | 3/32 | .362 ±.005 | .103 ±.003 | 15 | 0.53 |
| 568-111V | 7/16 | 5/8 | 3/32 | .424 ±.005 | .103 ±.003 | 15 | 0.57 |
| 568-112V | 1/2 | 11/16 | 3/32 | .487 ±.005 | .103 ±.003 | 15 | 0.66 |
| 568-113V | 9/16 | 3/4 | 3/32 | .549 ±.005 | .103 ±.003 | 15 | 0.66 |
| 568-114V | 5/8 | 13/16 | 3/32 | .612 ±.009 | .103 ±.003 | 15 | 0.66 |
| 568-115V | 11/16 | 7/8 | 3/32 | .674 ±.009 | .103 ±.003 | 10 | 0.77 |
| 568-116V | 3/4 | 15/16 | 3/32 | .737 ±.009 | .103 ±.003 | 10 | 0.81 |
| 568-117V | 13/16 | 1 | 3/32 | .799 ±.010 | .103 ±.003 | 10 | 0.86 |
| 568-118V | 7/8 | 1-1/16 | 3/32 | .862 ±.010 | .103 ±.003 | 10 | 0.88 |
| 568-119V | 15/16 | 1-1/8 | 3/32 | .924 ±.010 | .103 ±.003 | 10 | 0.95 |
| 568-120V | 1 | 1-3/16 | 3/32 | .987 ±.010 | .103 ±.003 | 10 | 1.01 |
| 568-121V | 1-1/16 | 1-1/4 | 3/32 | 1.049 ±.010 | .103 ±.003 | 10 | 1.12 |
| 568-122V | 1-1/8 | 1-5/16 | 3/32 | 1.112 ±.010 | .103 ±.003 | 10 | 1.22 |
| 568-123V | 1-3/16 | 1-3/8 | 3/32 | 1.174 ±.012 | .103 ±.003 | 10 | 1.29 |
| 568-124V | 1-1/4 | 1-7/16 | 3/32 | 1.237 ±.012 | .103 ±.003 | 10 | 1.29 |
| 568-125V | 1-5/16 | 1-1/2 | 3/32 | 1.299 ±.012 | .103 ±.003 | 5 | 1.36 |
| 568-126V | 1-3/8 | 1-9/16 | 3/32 | 1.362 ±.012 | .103 ±.003 | 5 | 1.43 |
| 568-127V | 1-7/16 | 1-5/8 | 3/32 | 1.424 ±.012 | .103 ±.003 | 5 | 1.47 |
| 568-128V | 1-1/2 | 1-11/16 | 3/32 | 1.487 ±.012 | .103 ±.003 | 5 | 1.55 |
| 568-129V | 1-9/16 | 1-3/4 | 3/32 | 1.549 ±.015 | .103 ±.003 | 5 | 1.65 |
| 568-130V | 1-5/8 | 1-13/16 | 3/32 | 1.612 ±.015 | .103 ±.003 | 5 | 1.74 |
| 568-131V | 1-11/16 | 1-7/8 | 3/32 | 1.674 ±.015 | .103 ±.003 | 3 | 1.74 |
| 568-132V | 1-3/4 | 1-15/16 | 3/32 | 1.737 ±.015 | .103 ±.003 | 4 | 1.79 |
| 568-133V | 1-13/16 | 2 | 3/32 | 1.799 ±.015 | .103 ±.003 | 4 | 1.88 |
| 568-134V | 1-7/8 | 2-1/16 | 3/32 | 1.862 ±.015 | .103 ±.003 | 3 | 1.88 |
| 568-135V | 1-15/16 | 2-1/8 | 3/32 | 1.925 ±.017 | .103 ±.003 | 3 | 1.96 |
| 568-136V | 2 | 2-3/16 | 3/32 | 1.987 ±.017 | .103 ±.003 | 3 | 2.10 |
| 568-137V | 2-1/16 | 2-1/4 | 3/32 | 2.050 ±.017 | .103 ±.003 | 4 | 2.14 |
| 568-138V | 2-1/8 | 2-5/16 | 3/32 | 2.112 ±.017 | .103 ±.003 | 3 | 2.24 |
| 568-139V | 2-3/16 | 2-3/8 | 3/32 | 2.175 ±.017 | .103 ±.003 | 2 | 2.31 |
| 568-140V | 2-1/4 | 2-7/16 | 3/32 | 2.237 ±.017 | .103 ±.003 | 2 | 2.38 |
| 568-141V | 2-5/16 | 2-1/2 | 3/32 | 2.300 ±.020 | .103 ±.003 | 3 | 2.44 |
| 568-142V | 2-3/8 | 2-9/16 | 3/32 | 2.362 ±.020 | .103 ±.003 | 3 | 2.44 |
| 568-143V | 2-7/16 | 2-5/8 | 3/32 | 2.425 ±.020 | .103 ±.003 | 2 | 2.56 |
| 568-144V | 2-1/2 | 2-11/16 | 3/32 | 2.487 ±.020 | .103 ±.003 | 3 | 2.56 |
| 568-145V | 2-9/16 | 2-3/4 | 3/32 | 2.550 ±.020 | .103 ±.003 | 2 | 2.65 |
| 568-146V | 2-5/8 | 2-13/16 | 3/32 | 2.612 ±.020 | .103 ±.003 | 2 | 2.74 |
| 568-147V | 2-11/16 | 2-7/8 | 3/32 | 2.675 ±.022 | .103 ±.003 | 3 | 2.78 |
| 568-148V | 2-3/4 | 2-15/16 | 3/32 | 2.737 ±.022 | .103 ±.003 | 3 | 2.89 |

O-RINGS



STYLE 568, 75 DURO FLUOROCARBON O-RINGS

O-RINGS

| Part Number | A Nom. ID | B Nom. OD | C Nom. Ht | INSIDE DIAMETER | CROSS SECTION | Package Quantity | List Price |
|-----------------|-----------|-----------|-----------|-----------------|---------------|------------------|------------|
| 568-149V | 2-13/16 | 3 | 3/32 | 2.800 ±.022 | .103 ±.003 | 2 | 2.97 |
| 568-150V | 2-7/8 | 3-1/16 | 3/32 | 2.862 ±.022 | .103 ±.003 | 2 | 3.16 |
| 568-151V | 3 | 3-3/16 | 3/32 | 2.987 ±.024 | .103 ±.003 | 2 | 3.46 |
| 568-152V | 3-1/4 | 3-7/16 | 3/32 | 3.237 ±.024 | .103 ±.003 | 2 | 3.83 |
| 568-153V | 3-1/2 | 3-11/16 | 3/32 | 3.487 ±.024 | .103 ±.003 | 5 | 4.19 |
| 568-154V | 3-3/4 | 3-15/16 | 3/32 | 3.737 ±.028 | .103 ±.003 | 2 | 4.59 |
| 568-155V | 4 | 4-3/16 | 3/32 | 3.987 ±.028 | .103 ±.003 | 2 | 4.77 |
| 568-156V | 4-1/4 | 4-7/16 | 3/32 | 4.237 ±.030 | .103 ±.003 | 2 | 5.32 |
| 568-157V | 4-1/2 | 4-11/16 | 3/32 | 4.487 ±.030 | .103 ±.003 | 1 | 5.84 |
| 568-158V | 4-3/4 | 4-15/16 | 3/32 | 4.737 ±.030 | .103 ±.003 | 2 | 6.18 |
| 568-159V | 5 | 5-3/16 | 3/32 | 4.987 ±.035 | .103 ±.003 | 1 | 6.77 |
| 568-160V | 5-1/4 | 5-7/16 | 3/32 | 5.237 ±.035 | .103 ±.003 | 1 | 7.74 |
| 568-161V | 5-1/2 | 5-11/16 | 3/32 | 5.487 ±.035 | .103 ±.003 | 1 | 8.53 |
| 568-162V | 5-3/4 | 5-15/16 | 3/32 | 5.737 ±.035 | .103 ±.003 | 1 | 9.17 |
| 568-163V | 6 | 6-3/16 | 3/32 | 5.987 ±.035 | .103 ±.003 | 1 | 9.90 |
| 568-164V | 6-1/4 | 6-7/16 | 3/32 | 6.237 ±.040 | .103 ±.003 | 1 | 10.48 |
| 568-165V | 6-1/2 | 6-11/16 | 3/32 | 6.487 ±.040 | .103 ±.003 | 1 | 11.53 |
| 568-166V | 6-3/4 | 6-15/16 | 3/32 | 6.737 ±.040 | .103 ±.003 | 1 | 11.75 |
| 568-167V | 7 | 7-3/16 | 3/32 | 6.987 ±.040 | .103 ±.003 | 1 | 11.89 |
| 568-168V | 7-1/4 | 7-7/16 | 3/32 | 7.237 ±.045 | .103 ±.003 | 1 | 12.48 |
| 568-169V | 7-1/2 | 7-11/16 | 3/32 | 7.487 ±.045 | .103 ±.003 | 1 | 13.21 |
| 568-170V | 7-3/4 | 7-15/16 | 3/32 | 7.737 ±.045 | .103 ±.003 | 1 | 15.41 |
| 568-171V | 8 | 8-3/16 | 3/32 | 7.987 ±.045 | .103 ±.003 | 1 | 16.13 |
| 568-172V | 8-1/4 | 8-7/16 | 3/32 | 8.237 ±.050 | .103 ±.003 | 1 | 16.87 |
| 568-173V | 8-1/2 | 8-11/16 | 3/32 | 8.487 ±.050 | .103 ±.003 | 1 | 15.97 |
| 568-174V | 8-3/4 | 8-15/16 | 3/32 | 8.737 ±.050 | .103 ±.003 | 1 | 17.25 |
| 568-175V | 9 | 9-3/16 | 3/32 | 8.987 ±.050 | .103 ±.003 | 1 | 17.91 |
| 568-176V | 9-1/4 | 9-7/16 | 3/32 | 9.237 ±.055 | .103 ±.003 | 1 | 19.09 |
| 568-177V | 9-1/2 | 9-11/16 | 3/32 | 9.487 ±.055 | .103 ±.003 | 1 | 19.45 |
| 568-178V | 9-3/4 | 9-15/16 | 3/32 | 9.737 ±.055 | .103 ±.003 | 1 | 20.40 |
| 1/8" C/S | | | | | | | |
| 568-201V | 3/16 | 7/16 | 1/8 | .171 ±.005 | .139 ±.004 | 15 | \$0.79 |
| 568-202V | 1/4 | 1/2 | 1/8 | .234 ±.005 | .139 ±.004 | 15 | 0.83 |
| 568-203V | 5/16 | 9/16 | 1/8 | .296 ±.005 | .139 ±.004 | 10 | 0.88 |
| 568-204V | 3/8 | 5/8 | 1/8 | .359 ±.005 | .139 ±.004 | 10 | 0.90 |
| 568-205V | 7/16 | 11/16 | 1/8 | .421 ±.005 | .139 ±.004 | 8 | 0.90 |
| 568-206V | 1/2 | 3/4 | 1/8 | .484 ±.005 | .139 ±.004 | 8 | 0.92 |
| 568-207V | 9/16 | 13/16 | 1/8 | .546 ±.007 | .139 ±.004 | 10 | 0.99 |
| 568-208V | 5/8 | 7/8 | 1/8 | .609 ±.009 | .139 ±.004 | 7 | 0.99 |
| 568-209V | 11/16 | 15/16 | 1/8 | .671 ±.009 | .139 ±.004 | 6 | 1.06 |
| 568-210V | 3/4 | 1 | 1/8 | .734 ±.010 | .139 ±.004 | 5 | 1.12 |
| 568-211V | 13/16 | 1-1/16 | 1/8 | .796 ±.010 | .139 ±.004 | 5 | 1.22 |
| 568-212V | 7/8 | 1-1/8 | 1/8 | .859 ±.010 | .139 ±.004 | 5 | 1.29 |
| 568-213V | 15/16 | 1-3/16 | 1/8 | .921 ±.010 | .139 ±.004 | 5 | 1.43 |
| 568-214V | 1 | 1-1/4 | 1/8 | .984 ±.010 | .139 ±.004 | 5 | 1.55 |
| 568-215V | 1-1/16 | 1-5/16 | 1/8 | 1.046 ±.010 | .139 ±.004 | 4 | 1.65 |
| 568-216V | 1-1/8 | 1-3/8 | 1/8 | 1.109 ±.012 | .139 ±.004 | 5 | 1.74 |
| 568-217V | 1-3/16 | 1-7/16 | 1/8 | 1.171 ±.012 | .139 ±.004 | 3 | 1.74 |
| 568-218V | 1-1/4 | 1-1/2 | 1/8 | 1.234 ±.012 | .139 ±.004 | 3 | 1.88 |
| 568-219V | 1-5/16 | 1-9/16 | 1/8 | 1.296 ±.012 | .139 ±.004 | 3 | 2.00 |
| 568-220V | 1-3/8 | 1-5/8 | 1/8 | 1.359 ±.012 | .139 ±.004 | 3 | 2.12 |
| 568-221V | 1-7/16 | 1-11/16 | 1/8 | 1.421 ±.012 | .139 ±.004 | 3 | 2.19 |
| 568-222V | 1-1/2 | 1-3/4 | 1/8 | 1.484 ±.015 | .139 ±.004 | 3 | 2.33 |
| 568-223V | 1-5/8 | 1-7/8 | 1/8 | 1.609 ±.015 | .139 ±.004 | 3 | 2.46 |
| 568-224V | 1-3/4 | 2 | 1/8 | 1.734 ±.015 | .139 ±.004 | 3 | 2.72 |
| 568-225V | 1-7/8 | 2-1/8 | 1/8 | 1.859 ±.018 | .139 ±.004 | 3 | 2.95 |
| 568-226V | 2 | 2-1/4 | 1/8 | 1.984 ±.018 | .139 ±.004 | 3 | 3.31 |



STYLE 568, 75 DURO FLUOROCARBON O-RINGS

| Part Number | A Nom. ID | B Nom. OD | C Nom. Ht | INSIDE DIAMETER | CROSS SECTION | Package Quantity | List Price |
|-------------|-----------|-----------|-----------|-----------------|---------------|------------------|------------|
| 568-227V | 2-1/8 | 2-3/8 | 1/8 | 2.109 ±.018 | .139 ±.004 | 2 | 3.50 |
| 568-228V | 2-1/4 | 2-1/2 | 1/8 | 2.234 ±.020 | .139 ±.004 | 3 | 3.64 |
| 568-229V | 2-3/8 | 2-5/8 | 1/8 | 2.359 ±.020 | .139 ±.004 | 2 | 3.86 |
| 568-230V | 2-1/2 | 2-3/4 | 1/8 | 2.484 ±.020 | .139 ±.004 | 2 | 4.05 |
| 568-231V | 2-5/8 | 2-7/8 | 1/8 | 2.609 ±.020 | .139 ±.004 | 2 | 4.28 |
| 568-232V | 2-3/4 | 3 | 1/8 | 2.734 ±.024 | .139 ±.004 | 2 | 4.41 |
| 568-233V | 2-7/8 | 3-1/8 | 1/8 | 2.859 ±.024 | .139 ±.004 | 2 | 4.63 |
| 568-234V | 3 | 3-1/4 | 1/8 | 2.984 ±.024 | .139 ±.004 | 2 | 4.94 |
| 568-235V | 3-1/8 | 3-3/8 | 1/8 | 3.109 ±.024 | .139 ±.004 | 2 | 5.16 |
| 568-236V | 3-1/4 | 3-1/2 | 1/8 | 3.234 ±.024 | .139 ±.004 | 2 | 5.38 |
| 568-237V | 3-3/8 | 3-5/8 | 1/8 | 3.359 ±.024 | .139 ±.004 | 2 | 5.60 |
| 568-238V | 3-1/2 | 3-3/4 | 1/8 | 3.484 ±.024 | .139 ±.004 | 2 | 5.84 |
| 568-239V | 3-5/8 | 3-7/8 | 1/8 | 3.609 ±.028 | .139 ±.004 | 2 | 6.03 |
| 568-240V | 3-3/4 | 4 | 1/8 | 3.734 ±.028 | .139 ±.004 | 2 | 6.18 |
| 568-241V | 3-7/8 | 4-1/8 | 1/8 | 3.859 ±.028 | .139 ±.004 | 1 | 6.52 |
| 568-242V | 4 | 4-1/4 | 1/8 | 3.984 ±.028 | .139 ±.004 | 1 | 6.59 |
| 568-243V | 4-1/8 | 4-3/8 | 1/8 | 4.109 ±.028 | .139 ±.004 | 1 | 6.99 |
| 568-244V | 4-1/4 | 4-1/2 | 1/8 | 4.234 ±.030 | .139 ±.004 | 1 | 7.29 |
| 568-245V | 4-3/8 | 4-5/8 | 1/8 | 4.359 ±.030 | .139 ±.004 | 1 | 7.41 |
| 568-246V | 4-1/2 | 4-3/4 | 1/8 | 4.484 ±.030 | .139 ±.004 | 1 | 7.74 |
| 568-247V | 4-5/8 | 4-7/8 | 1/8 | 4.609 ±.030 | .139 ±.004 | 1 | 7.86 |
| 568-248V | 4-3/4 | 5 | 1/8 | 4.734 ±.030 | .139 ±.004 | 1 | 8.02 |
| 568-249V | 4-7/8 | 5-1/8 | 1/8 | 4.859 ±.035 | .139 ±.004 | 1 | 8.23 |
| 568-250V | 5 | 5-1/4 | 1/8 | 4.984 ±.035 | .139 ±.004 | 1 | 8.71 |
| 568-251V | 5-1/8 | 5-3/8 | 1/8 | 5.109 ±.035 | .139 ±.004 | 1 | 9.11 |
| 568-252V | 5-1/4 | 5-1/2 | 1/8 | 5.234 ±.035 | .139 ±.004 | 1 | 9.70 |
| 568-253V | 5-3/8 | 5-5/8 | 1/8 | 5.359 ±.035 | .139 ±.004 | 1 | 9.86 |
| 568-254V | 5-1/2 | 5-3/4 | 1/8 | 5.484 ±.035 | .139 ±.004 | 1 | 10.21 |
| 568-255V | 5-5/8 | 5-7/8 | 1/8 | 5.609 ±.035 | .139 ±.004 | 1 | 10.65 |
| 568-256V | 5-3/4 | 6 | 1/8 | 5.734 ±.035 | .139 ±.004 | 1 | 11.01 |
| 568-257V | 5-7/8 | 6-1/8 | 1/8 | 5.859 ±.035 | .139 ±.004 | 1 | 11.34 |
| 568-258V | 6 | 6-1/4 | 1/8 | 5.984 ±.035 | .139 ±.004 | 1 | 11.69 |
| 568-259V | 6-1/4 | 6-1/2 | 1/8 | 6.234 ±.040 | .139 ±.004 | 1 | 11.89 |
| 568-260V | 6-1/2 | 6-3/4 | 1/8 | 6.484 ±.040 | .139 ±.004 | 1 | 12.10 |
| 568-261V | 6-3/4 | 7 | 1/8 | 6.734 ±.040 | .139 ±.004 | 1 | 12.48 |
| 568-262V | 7 | 7-1/4 | 1/8 | 6.984 ±.040 | .139 ±.004 | 1 | 13.21 |
| 568-263V | 7-1/4 | 7-1/2 | 1/8 | 7.234 ±.045 | .139 ±.004 | 1 | 14.54 |
| 568-264V | 7-1/2 | 7-3/4 | 1/8 | 7.484 ±.045 | .139 ±.004 | 1 | 16.47 |
| 568-265V | 7-3/4 | 8 | 1/8 | 7.734 ±.045 | .139 ±.004 | 1 | 17.58 |
| 568-266V | 8 | 8-1/4 | 1/8 | 7.984 ±.045 | .139 ±.004 | 1 | 18.32 |
| 568-267V | 8-1/4 | 8-1/2 | 1/8 | 8.234 ±.050 | .139 ±.004 | 1 | 19.22 |
| 568-268V | 8-1/2 | 8-3/4 | 1/8 | 8.484 ±.050 | .139 ±.004 | 1 | 19.93 |
| 568-269V | 8-3/4 | 9 | 1/8 | 8.734 ±.050 | .139 ±.004 | 1 | 20.65 |
| 568-270V | 9 | 9-1/4 | 1/8 | 8.984 ±.050 | .139 ±.004 | 1 | 21.45 |
| 568-271V | 9-1/4 | 9-1/2 | 1/8 | 9.234 ±.055 | .139 ±.004 | 1 | 22.21 |
| 568-272V | 9-1/2 | 9-3/4 | 1/8 | 9.484 ±.055 | .139 ±.004 | 1 | 22.95 |
| 568-273V | 9-3/4 | 10 | 1/8 | 9.734 ±.055 | .139 ±.004 | 1 | 23.18 |
| 568-274V | 10 | 10-1/4 | 1/8 | 9.984 ±.055 | .139 ±.004 | 1 | 24.54 |
| 568-275V | 10-1/2 | 10-3/4 | 1/8 | 10.484 ±.055 | .139 ±.004 | 1 | 25.47 |
| 568-276V | 11 | 11-1/4 | 1/8 | 10.984 ±.065 | .139 ±.004 | 1 | 25.81 |
| 568-277V | 11-1/2 | 11-3/4 | 1/8 | 11.484 ±.065 | .139 ±.004 | 1 | 26.66 |
| 568-278V | 12 | 12-1/4 | 1/8 | 11.984 ±.065 | .139 ±.004 | 1 | 27.43 |
| 568-279V | 13 | 13-1/4 | 1/8 | 12.984 ±.065 | .139 ±.004 | 1 | 28.80 |
| 568-280V | 14 | 14-1/4 | 1/8 | 13.984 ±.065 | .139 ±.004 | 1 | 29.31 |
| 568-281V | 15 | 15-1/4 | 1/8 | 14.984 ±.065 | .139 ±.004 | 1 | 30.93 |
| 568-282V | 16 | 16-1/4 | 1/8 | 15.955 ±.075 | .139 ±.004 | 1 | 33.72 |
| 568-284V | 18 | 18-1/4 | 1/8 | 17.955 ±.085 | .139 ±.004 | 1 | 38.42 |

O-RINGS



STYLE 568, 75 DURO FLUOROCARBON O-RINGS

O-RINGS

| Part Number | A Nom. ID | B Nom. OD | C Nom. Ht | INSIDE DIAMETER | CROSS SECTION | Package Quantity | List Price |
|------------------|-----------|-----------|-----------|-----------------|---------------|------------------|------------|
| 3/16" C/S | | | | | | | |
| 568-309V | 7/16 | 13/16 | 3/16 | .412 ±.005 | .210 ±.005 | 3 | \$2.62 |
| 568-310V | 1/2 | 7/8 | 3/16 | .475 ±.005 | .210 ±.005 | 3 | 2.74 |
| 568-311V | 9/16 | 15/16 | 3/16 | .537 ±.007 | .210 ±.005 | 3 | 2.97 |
| 568-312V | 5/8 | 1 | 3/16 | .600 ±.009 | .210 ±.005 | 3 | 3.07 |
| 568-313V | 11/16 | 1-1/16 | 3/16 | .662 ±.009 | .210 ±.005 | 3 | 3.16 |
| 568-314V | 3/4 | 1-1/8 | 3/16 | .725 ±.010 | .210 ±.005 | 3 | 3.29 |
| 568-315V | 13/16 | 1-3/16 | 3/16 | .787 ±.010 | .210 ±.005 | 3 | 3.41 |
| 568-316V | 7/8 | 1-1/4 | 3/16 | .850 ±.010 | .210 ±.005 | 3 | 3.22 |
| 568-317V | 15/16 | 1-5/16 | 3/16 | .912 ±.010 | .210 ±.005 | 3 | 3.46 |
| 568-318V | 1 | 1-3/8 | 3/16 | .975 ±.010 | .210 ±.005 | 2 | 3.51 |
| 568-319V | 1-1/16 | 1-7/16 | 3/16 | 1.037 ±.010 | .210 ±.005 | 2 | 3.62 |
| 568-320V | 1-1/8 | 1-1/2 | 3/16 | 1.100 ±.012 | .210 ±.005 | 2 | 3.72 |
| 568-321V | 1-3/16 | 1-9/16 | 3/16 | 1.162 ±.012 | .210 ±.005 | 2 | 3.76 |
| 568-322V | 1-1/4 | 1-5/8 | 3/16 | 1.225 ±.012 | .210 ±.005 | 2 | 3.76 |
| 568-323V | 1-5/16 | 1-11/16 | 3/16 | 1.287 ±.012 | .210 ±.005 | 2 | 4.19 |
| 568-324V | 1-3/8 | 1-3/4 | 3/16 | 1.350 ±.012 | .210 ±.005 | 2 | 4.41 |
| 568-325V | 1-1/2 | 1-7/8 | 3/16 | 1.475 ±.015 | .210 ±.005 | 2 | 4.74 |
| 568-326V | 1-5/8 | 2 | 3/16 | 1.600 ±.015 | .210 ±.005 | 1 | 5.02 |
| 568-327V | 1-3/4 | 2-1/8 | 3/16 | 1.725 ±.015 | .210 ±.005 | 1 | 5.16 |
| 568-328V | 1-7/8 | 2-1/4 | 3/16 | 1.850 ±.015 | .210 ±.005 | 1 | 5.51 |
| 568-329V | 2 | 2-3/8 | 3/16 | 1.975 ±.018 | .210 ±.005 | 1 | 6.29 |
| 568-330V | 2-1/8 | 2-1/2 | 3/16 | 2.100 ±.018 | .210 ±.005 | 1 | 6.84 |
| 568-331V | 2-1/4 | 2-5/8 | 3/16 | 2.225 ±.018 | .210 ±.005 | 1 | 6.99 |
| 568-332V | 2-3/8 | 2-3/4 | 3/16 | 2.350 ±.018 | .210 ±.005 | 1 | 7.89 |
| 568-333V | 2-1/2 | 2-7/8 | 3/16 | 2.475 ±.020 | .210 ±.005 | 1 | 8.23 |
| 568-334V | 2-5/8 | 3 | 3/16 | 2.600 ±.020 | .210 ±.005 | 1 | 8.62 |
| 568-335V | 2-3/4 | 3-1/8 | 3/16 | 2.725 ±.020 | .210 ±.005 | 1 | 9.11 |
| 568-336V | 2-7/8 | 3-1/4 | 3/16 | 2.850 ±.020 | .210 ±.005 | 1 | 9.77 |
| 568-337V | 3 | 3-3/8 | 3/16 | 2.975 ±.024 | .210 ±.005 | 1 | 10.32 |
| 568-338V | 3-1/8 | 3-1/2 | 3/16 | 3.100 ±.024 | .210 ±.005 | 1 | 10.87 |
| 568-339V | 3-1/4 | 3-5/8 | 3/16 | 3.225 ±.024 | .210 ±.005 | 1 | 11.61 |
| 568-340V | 3-3/8 | 3-3/4 | 3/16 | 3.350 ±.024 | .210 ±.005 | 1 | 12.17 |
| 568-341V | 3-1/2 | 3-7/8 | 3/16 | 3.475 ±.024 | .210 ±.005 | 1 | 12.48 |
| 568-342V | 3-5/8 | 4 | 3/16 | 3.600 ±.028 | .210 ±.005 | 1 | 12.91 |
| 568-343V | 3-3/4 | 4-1/8 | 3/16 | 3.725 ±.028 | .210 ±.005 | 1 | 13.15 |
| 568-344V | 3-7/8 | 4-1/4 | 3/16 | 3.850 ±.028 | .210 ±.005 | 1 | 13.60 |
| 568-345V | 4 | 4-3/8 | 3/16 | 3.975 ±.028 | .210 ±.005 | 1 | 13.90 |
| 568-346V | 4-1/8 | 4-1/2 | 3/16 | 4.100 ±.028 | .210 ±.005 | 1 | 14.54 |
| 568-347V | 4-1/4 | 4-5/8 | 3/16 | 4.225 ±.030 | .210 ±.005 | 1 | 14.60 |
| 568-348V | 4-3/8 | 4-3/4 | 3/16 | 4.350 ±.030 | .210 ±.005 | 1 | 14.97 |
| 568-349V | 4-1/2 | 4-7/8 | 3/16 | 4.475 ±.030 | .210 ±.005 | 1 | 15.41 |
| 568-350V | 4-5/8 | 5 | 3/16 | 4.600 ±.030 | .210 ±.005 | 1 | 15.80 |
| 568-351V | 4-3/4 | 5-1/8 | 3/16 | 4.725 ±.030 | .210 ±.005 | 1 | 16.50 |
| 568-352V | 4-7/8 | 5-1/4 | 3/16 | 4.850 ±.030 | .210 ±.005 | 1 | 15.85 |
| 568-353V | 5 | 5-3/8 | 3/16 | 4.975 ±.037 | .210 ±.005 | 1 | 17.25 |
| 568-354V | 5-1/8 | 5-1/2 | 3/16 | 5.100 ±.037 | .210 ±.005 | 1 | 17.28 |
| 568-355V | 5-1/4 | 5-5/8 | 3/16 | 5.225 ±.037 | .210 ±.005 | 1 | 17.46 |
| 568-356V | 5-3/8 | 5-3/4 | 3/16 | 5.350 ±.037 | .210 ±.005 | 1 | 19.45 |
| 568-357V | 5-1/2 | 5-7/8 | 3/16 | 5.475 ±.037 | .210 ±.005 | 1 | 20.18 |
| 568-358V | 5-5/8 | 6 | 3/16 | 5.600 ±.037 | .210 ±.005 | 1 | 20.92 |
| 568-359V | 5-3/4 | 6-1/8 | 3/16 | 5.725 ±.037 | .210 ±.005 | 1 | 22.54 |
| 568-360V | 5-7/8 | 6-1/4 | 3/16 | 5.850 ±.037 | .210 ±.005 | 1 | 24.04 |
| 568-361V | 6 | 6-3/8 | 3/16 | 5.975 ±.037 | .210 ±.005 | 1 | 25.71 |
| 568-362V | 6-1/4 | 6-5/8 | 3/16 | 6.225 ±.040 | .210 ±.005 | 1 | 26.90 |
| 568-363V | 6-1/2 | 6-7/8 | 3/16 | 6.475 ±.040 | .210 ±.005 | 1 | 27.00 |
| 568-364V | 6-3/4 | 7-1/8 | 3/16 | 6.725 ±.040 | .210 ±.005 | 1 | 27.10 |



STYLE 568, 75 DURO FLUOROCARBON O-RINGS

| Part Number | A Nom. ID | B Nom. OD | C Nom. Ht | INSIDE DIAMETER | CROSS SECTION | Package Quantity | List Price |
|-----------------|-----------|-----------|-----------|-----------------|---------------|------------------|------------|
| 568-365V | 7 | 7-3/8 | 3/16 | 6.975 ±.040 | .210 ±.005 | 1 | 27.86 |
| 568-366V | 7-1/4 | 7-5/8 | 3/16 | 7.225 ±.045 | .210 ±.005 | 1 | 30.76 |
| 568-367V | 7-1/2 | 7-7/8 | 3/16 | 7.475 ±.045 | .210 ±.005 | 1 | 33.05 |
| 568-368V | 7-3/4 | 8-1/8 | 3/16 | 7.725 ±.045 | .210 ±.005 | 1 | 34.42 |
| 568-369V | 8 | 8-3/8 | 3/16 | 7.975 ±.045 | .210 ±.005 | 1 | 35.36 |
| 568-370V | 8-1/4 | 8-5/8 | 3/16 | 8.225 ±.050 | .210 ±.005 | 1 | 35.86 |
| 568-371V | 8-1/2 | 8-7/8 | 3/16 | 8.475 ±.050 | .210 ±.005 | 1 | 37.82 |
| 568-373V | 9 | 9-3/8 | 3/16 | 8.975 ±.050 | .210 ±.005 | 1 | 39.20 |
| 568-374V | 9-1/4 | 9-5/8 | 3/16 | 9.225 ±.055 | .210 ±.005 | 1 | 39.55 |
| 568-375V | 9-1/2 | 9-7/8 | 3/16 | 9.475 ±.055 | .210 ±.005 | 1 | 42.15 |
| 568-376V | 9-3/4 | 10-1/8 | 3/16 | 9.725 ±.055 | .210 ±.005 | 1 | 44.39 |
| 568-377V | 10 | 10-3/8 | 3/16 | 9.975 ±.055 | .210 ±.005 | 1 | 46.25 |
| 568-378V | 10-1/2 | 10-7/8 | 3/16 | 10.475 ±.060 | .210 ±.005 | 1 | 48.44 |
| 568-379V | 11 | 11-3/8 | 3/16 | 10.975 ±.060 | .210 ±.005 | 1 | 51.89 |
| 568-380V | 11-1/2 | 11-7/8 | 3/16 | 11.475 ±.065 | .210 ±.005 | 1 | 54.92 |
| 568-381V | 12 | 12-3/8 | 3/16 | 11.975 ±.065 | .210 ±.005 | 1 | 57.73 |
| 568-382V | 13 | 13-3/8 | 3/16 | 12.975 ±.065 | .210 ±.005 | 1 | 59.52 |
| 568-383V | 14 | 14-3/8 | 3/16 | 13.975 ±.070 | .210 ±.005 | 1 | 62.62 |
| 568-384V | 15 | 15-3/8 | 3/16 | 14.975 ±.070 | .210 ±.005 | 1 | 65.76 |
| 568-385V | 16 | 16-3/8 | 3/16 | 15.955 ±.075 | .210 ±.005 | 1 | 69.01 |
| 568-386V | 17 | 17-3/8 | 3/16 | 16.955 ±.080 | .210 ±.005 | 1 | 73.06 |
| 568-388V | 19 | 19-3/8 | 3/16 | 18.955 ±.090 | .210 ±.005 | 1 | 85.73 |
| 568-389V | 20 | 20-3/8 | 3/16 | 19.955 ±.095 | .210 ±.005 | 1 | 87.57 |
| 568-390V | 21 | 21-3/8 | 3/16 | 20.955 ±.095 | .210 ±.005 | 1 | 89.48 |
| 568-392V | 23 | 23-3/8 | 3/16 | 22.940 ±.105 | .210 ±.005 | 1 | 95.93 |
| 1/4" C/S | | | | | | | |
| 568-425V | 4-1/2 | 5 | 1/4 | 4.475 ±.033 | .275 ±.006 | 1 | \$21.09 |
| 568-426V | 4-5/8 | 5-1/8 | 1/4 | 4.600 ±.033 | .275 ±.006 | 1 | 21.21 |
| 568-427V | 4-3/4 | 5-1/4 | 1/4 | 4.725 ±.033 | .275 ±.006 | 1 | 20.51 |
| 568-428V | 4-7/8 | 5-3/8 | 1/4 | 4.850 ±.033 | .275 ±.006 | 1 | 23.32 |
| 568-429V | 5 | 5-1/2 | 1/4 | 4.975 ±.037 | .275 ±.006 | 1 | 23.83 |
| 568-430V | 5-1/8 | 5-5/8 | 1/4 | 5.100 ±.037 | .275 ±.006 | 1 | 23.97 |
| 568-431V | 5-1/4 | 5-3/4 | 1/4 | 5.225 ±.037 | .275 ±.006 | 1 | 24.54 |
| 568-432V | 5-3/8 | 5-7/8 | 1/4 | 5.350 ±.037 | .275 ±.006 | 1 | 24.85 |
| 568-433V | 5-1/2 | 6 | 1/4 | 5.475 ±.037 | .275 ±.006 | 1 | 25.95 |
| 568-434V | 5-5/8 | 6-1/8 | 1/4 | 5.600 ±.037 | .275 ±.006 | 1 | 26.43 |
| 568-435V | 5-3/4 | 6-1/4 | 1/4 | 5.725 ±.037 | .275 ±.006 | 1 | 26.78 |
| 568-436V | 5-7/8 | 6-3/8 | 1/4 | 5.850 ±.037 | .275 ±.006 | 1 | 29.26 |
| 568-437V | 6 | 6-1/2 | 1/4 | 5.975 ±.037 | .275 ±.006 | 1 | 28.12 |
| 568-438V | 6-1/4 | 6-3/4 | 1/4 | 6.225 ±.040 | .275 ±.006 | 1 | 29.20 |
| 568-439V | 6-1/2 | 7 | 1/4 | 6.475 ±.040 | .275 ±.006 | 1 | 30.55 |
| 568-440V | 6-3/4 | 7-1/4 | 1/4 | 6.725 ±.040 | .275 ±.006 | 1 | 31.50 |
| 568-441V | 7 | 7-1/2 | 1/4 | 6.975 ±.040 | .275 ±.006 | 1 | 33.72 |
| 568-442V | 7-1/4 | 7-3/4 | 1/4 | 7.225 ±.045 | .275 ±.006 | 1 | 36.69 |
| 568-443V | 7-1/2 | 8 | 1/4 | 7.475 ±.045 | .275 ±.006 | 1 | 38.85 |
| 568-444V | 7-3/4 | 8-1/4 | 1/4 | 7.725 ±.045 | .275 ±.006 | 1 | 38.15 |
| 568-445V | 8 | 8-1/2 | 1/4 | 7.975 ±.045 | .275 ±.006 | 1 | 41.37 |
| 568-446V | 8-1/2 | 9 | 1/4 | 8.475 ±.055 | .275 ±.006 | 1 | 43.51 |
| 568-447V | 9 | 9-1/2 | 1/4 | 8.975 ±.055 | .275 ±.006 | 1 | 45.44 |
| 568-448V | 9-1/2 | 10 | 1/4 | 9.475 ±.055 | .275 ±.006 | 1 | 47.42 |
| 568-449V | 10 | 10-1/2 | 1/4 | 9.975 ±.055 | .275 ±.006 | 1 | 51.14 |
| 568-450V | 10-1/2 | 11 | 1/4 | 10.475 ±.060 | .275 ±.006 | 1 | 55.24 |
| 568-451V | 11 | 11-1/2 | 1/4 | 10.975 ±.060 | .275 ±.006 | 1 | 56.25 |
| 568-452V | 11-1/2 | 12 | 1/4 | 11.475 ±.060 | .275 ±.006 | 1 | 58.66 |
| 568-453V | 12 | 12-1/2 | 1/4 | 11.975 ±.060 | .275 ±.006 | 1 | 60.72 |
| 568-454V | 12-1/2 | 13 | 1/4 | 12.475 ±.060 | .275 ±.006 | 1 | 63.05 |
| 568-455V | 13 | 13-1/2 | 1/4 | 12.975 ±.060 | .275 ±.006 | 1 | 65.25 |

O-RINGS

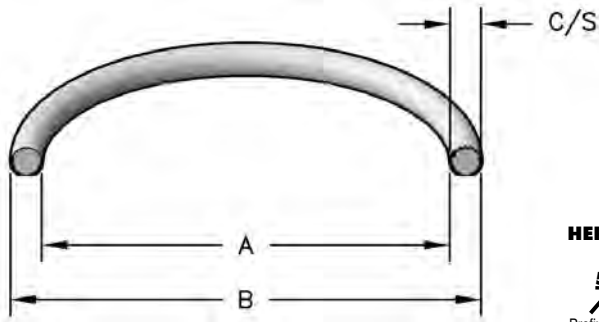


STYLE 568, 75 DURO FLUOROCARBON O-RINGS

| Part Number | A Nom. ID | B Nom. OD | C Nom. Ht | INSIDE DIAMETER | CROSS SECTION | Package Quantity | List Price |
|-------------|-----------|-----------|-----------|-----------------|---------------|------------------|------------|
| 568-456V | 13-1/2 | 14 | 1/4 | 13.475 ±.070 | .275 ±.006 | 1 | 65.45 |
| 568-457V | 14 | 14-1/2 | 1/4 | 13.975 ±.070 | .275 ±.006 | 1 | 69.60 |
| 568-458V | 14-1/2 | 15 | 1/4 | 14.475 ±.070 | .275 ±.006 | 1 | 70.44 |
| 568-459V | 15 | 15-1/2 | 1/4 | 14.975 ±.070 | .275 ±.006 | 1 | 73.06 |
| 568-460V | 15-1/2 | 16 | 1/4 | 15.475 ±.070 | .275 ±.006 | 1 | 74.23 |
| 568-464V | 17-1/2 | 18 | 1/4 | 17.455 ±.085 | .275 ±.006 | 1 | 103.08 |
| 568-465V | 18 | 18-1/2 | 1/4 | 17.955 ±.085 | .275 ±.006 | 1 | 106.51 |
| 568-466V | 18-1/2 | 19 | 1/4 | 18.455 ±.085 | .275 ±.006 | 1 | 107.98 |
| 568-468V | 19-1/2 | 20 | 1/4 | 19.455 ±.090 | .275 ±.006 | 1 | 114.95 |
| 568-473V | 24 | 24-1/2 | 1/4 | 23.940 ±.110 | .275 ±.006 | 1 | 140.95 |
| 568-475V | 26 | 26-1/2 | 1/4 | 25.940 ±.120 | .275 ±.006 | 1 | 164.57 |

O-RINGS

STYLE 568, 75 DURO FLUOROCARBON O-RINGS



HERCULES PART NUMBERS

568 - 007 V - BLACK
 Prefix Dash Number

| SEAL INFORMATION | |
|-------------------|---|
| MATERIAL | BLACK FLUOROCARBON |
| TEMPERATURE RANGE | -20° TO +400° F |
| PRESSURE RANGE | VARIES ACCORDING TO DIAMETRAL CLEARANCE |

| Part Number | A Nom. ID | B Nom. OD | C Nom. Ht | INSIDE DIAMETER | CROSS SECTION | Package Quantity | List Price |
|------------------|-----------|-----------|-----------|-----------------|---------------|------------------|------------|
| 1/16" C/S | | | | | | | |
| 568-007V-BLACK | 5/32 | 9/32 | 1/16 | .145 ±.005 | .070 ±.003 | 40 | \$0.38 |
| 568-008V-BLACK | 3/16 | 5/16 | 1/16 | .176 ±.005 | .070 ±.003 | 40 | 0.36 |
| 568-010V-BLACK | 1/4 | 3/8 | 1/16 | .239 ±.005 | .070 ±.003 | 30 | 0.36 |
| 568-011V-BLACK | 5/16 | 7/16 | 1/16 | .301 ±.005 | .070 ±.003 | 30 | 0.36 |
| 568-012V-BLACK | 3/8 | 1/2 | 1/16 | .364 ±.005 | .070 ±.003 | 20 | 0.38 |
| 568-014V-BLACK | 1/2 | 5/8 | 1/16 | .489 ±.005 | .070 ±.003 | 20 | 0.41 |
| 568-015V-BLACK | 9/16 | 11/16 | 1/16 | .551 ±.007 | .070 ±.003 | 20 | 0.48 |
| 568-016V-BLACK | 5/8 | 3/4 | 1/16 | .614 ±.009 | .070 ±.003 | 20 | 0.48 |
| 568-020V-BLACK | 7/8 | 1 | 1/16 | .864 ±.009 | .070 ±.003 | 20 | 0.29 |
| 568-021V-BLACK | 15/16 | 1-1/16 | 1/16 | .926 ±.009 | .070 ±.003 | 20 | 0.31 |
| 568-032V-BLACK | 1-7/8 | 2 | 1/16 | 1.864 ±.015 | .070 ±.003 | 10 | 1.64 |
| 3/32" C/S | | | | | | | |
| 568-110V-BLACK | 3/8 | 9/16 | 3/32 | .362 ±.005 | .103 ±.003 | 15 | \$0.41 |
| 568-111V-BLACK | 7/16 | 5/8 | 3/32 | .424 ±.005 | .103 ±.003 | 15 | 0.43 |
| 568-112V-BLACK | 1/2 | 11/16 | 3/32 | .487 ±.005 | .103 ±.003 | 15 | 0.51 |
| 568-113V-BLACK | 9/16 | 3/4 | 3/32 | .549 ±.005 | .103 ±.003 | 15 | 0.51 |
| 568-114V-BLACK | 5/8 | 13/16 | 3/32 | .612 ±.009 | .103 ±.003 | 15 | 0.60 |
| 568-115V-BLACK | 11/16 | 7/8 | 3/32 | .674 ±.009 | .103 ±.003 | 15 | 0.62 |
| 568-116V-BLACK | 3/4 | 15/16 | 3/32 | .737 ±.009 | .103 ±.003 | 10 | 0.69 |
| 568-119V-BLACK | 15/16 | 1-1/8 | 3/32 | .924 ±.010 | .103 ±.003 | 10 | 0.95 |
| 568-125V-BLACK | 1-5/16 | 1-1/2 | 3/32 | 1.299 ±.012 | .103 ±.003 | 5 | 0.95 |
| 568-129V-BLACK | 1-9/16 | 1-3/4 | 3/32 | 1.549 ±.015 | .103 ±.003 | 5 | 1.65 |
| 568-136V-BLACK | 2 | 2-3/16 | 3/32 | 1.987 ±.017 | .103 ±.003 | 3 | 2.10 |
| 568-145V-BLACK | 2-9/16 | 2-3/4 | 3/32 | 2.550 ±.020 | .103 ±.003 | 2 | 2.74 |
| 568-146V-BLACK | 2-5/8 | 2-13/16 | 3/32 | 2.612 ±.020 | .103 ±.003 | 2 | 4.12 |
| 568-151V-BLACK | 3 | 3-3/16 | 3/32 | 2.987 ±.024 | .103 ±.003 | 2 | 4.45 |
| 568-161V-BLACK | 5-1/2 | 5-11/16 | 3/32 | 5.487 ±.035 | .103 ±.003 | 2 | 9.51 |
| 568-162V-BLACK | 5-3/4 | 5-15/16 | 3/32 | 5.737 ±.035 | .103 ±.003 | 2 | 9.10 |
| 568-163V-BLACK | 6 | 6-3/16 | 3/32 | 5.987 ±.035 | .103 ±.003 | 2 | 10.44 |
| 1/8" C/S | | | | | | | |
| 568-206V-BLACK | 1/2 | 3/4 | 1/8 | .484 ±.005 | .139 ±.004 | 5 | \$1.54 |
| 568-208V-BLACK | 5/8 | 7/8 | 1/8 | .609 ±.009 | .139 ±.004 | 5 | 0.99 |
| 568-210V-BLACK | 3/4 | 1 | 1/8 | .734 ±.010 | .139 ±.004 | 5 | 1.02 |
| 568-211V-BLACK | 13/16 | 1-1/16 | 1/8 | .796 ±.010 | .139 ±.004 | 5 | 1.81 |
| 568-213V-BLACK | 15/16 | 1-3/16 | 1/8 | .921 ±.010 | .139 ±.004 | 5 | 1.29 |
| 568-214V-BLACK | 1 | 1-1/4 | 1/8 | .984 ±.010 | .139 ±.004 | 5 | 1.38 |
| 568-218V-BLACK | 1-1/4 | 1-1/2 | 1/8 | 1.234 ±.012 | .139 ±.004 | 5 | 1.77 |
| 568-220V-BLACK | 1-3/8 | 1-5/8 | 1/8 | 1.359 ±.012 | .139 ±.004 | 3 | 1.82 |
| 568-222V-BLACK | 1-1/2 | 1-3/4 | 1/8 | 1.484 ±.015 | .139 ±.004 | 3 | 2.29 |
| 568-228V-BLACK | 2-1/4 | 2-1/2 | 1/8 | 2.234 ±.020 | .139 ±.004 | 3 | 3.34 |
| 568-231V-BLACK | 2-5/8 | 2-7/8 | 1/8 | 2.609 ±.020 | .139 ±.004 | 2 | 4.52 |
| 568-233V-BLACK | 2-7/8 | 3-1/8 | 1/8 | 2.859 ±.024 | .139 ±.004 | 2 | 6.46 |

O-RINGS

FORMERLY LISTED SEALS ARE AVAILABLE ONLINE AT WWW.HERCULESUS.COM
 OR BY CONTACTING YOUR REGIONAL HERCULES SALES TEAM.



STYLE 568, 75 DURO FLUOROCARBON O-RINGS

| Part Number | A Nom. ID | B Nom. OD | C Nom. Ht | INSIDE DIAMETER | CROSS SECTION | Package Quantity | List Price |
|------------------|-----------|-----------|-----------|-----------------|---------------|------------------|------------|
| 568-236V-BLACK | 3-1/4 | 3-1/2 | 1/8 | 3.234 ±.024 | .139 ±.004 | 2 | 5.38 |
| 568-237V-BLACK | 3-3/8 | 3-5/8 | 1/8 | 3.359 ±.024 | .139 ±.004 | 2 | 5.60 |
| 568-238V-BLACK | 3-1/2 | 3-3/4 | 1/8 | 3.484 ±.024 | .139 ±.004 | 2 | 5.84 |
| 568-240V-BLACK | 3-3/4 | 4 | 1/8 | 3.734 ±.028 | .139 ±.004 | 1 | 6.18 |
| 568-241V-BLACK | 3-7/8 | 4-1/8 | 1/8 | 3.859 ±.028 | .139 ±.004 | 1 | 6.52 |
| 568-245V-BLACK | 4-3/8 | 4-5/8 | 1/8 | 4.359 ±.030 | .139 ±.004 | 1 | 11.39 |
| 568-248V-BLACK | 4-3/4 | 5 | 1/8 | 4.734 ±.030 | .139 ±.004 | 1 | 10.56 |
| 568-256V-BLACK | 5-3/4 | 6 | 1/8 | 5.734 ±.035 | .139 ±.004 | 1 | 10.85 |
| 3/16" C/S | | | | | | | |
| 568-331V-BLACK | 2-1/4 | 2-5/8 | 3/16 | 2.225 ±.018 | .210 ±.005 | 1 | \$10.60 |
| 568-334V-BLACK | 2-5/8 | 3 | 3/16 | 2.600 ±.020 | .210 ±.005 | 1 | 11.69 |
| 568-335V-BLACK | 2-3/4 | 3-1/8 | 3/16 | 2.725 ±.020 | .210 ±.005 | 1 | 12.35 |
| 568-336V-BLACK | 2-7/8 | 3-1/4 | 3/16 | 2.850 ±.020 | .210 ±.005 | 1 | 12.91 |
| 568-354V-BLACK | 5-1/8 | 5-1/2 | 3/16 | 5.100 ±.037 | .210 ±.005 | 1 | 17.03 |
| 568-360V-BLACK | 5-7/8 | 6-1/4 | 3/16 | 5.850 ±.037 | .210 ±.005 | 1 | 24.04 |
| 568-368V-BLACK | 7-3/4 | 8-1/8 | 3/16 | 7.725 ±.045 | .210 ±.005 | 1 | 34.42 |

STYLE 568, 75 DURO FLUOROCARBON O-RING CORD

NOTE: Cord is Black fluorocarbon.
See O-Ring Kit section for splicing Information.
Sold by the foot.

SEAL INFORMATION

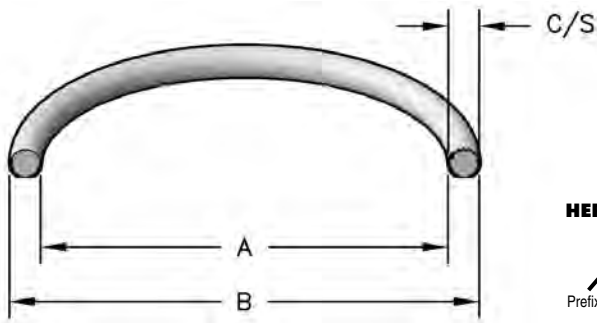
| | |
|-------------------|---|
| MATERIAL | BLACK FLUOROCARBON |
| TEMPERATURE RANGE | -20° TO +400° F |
| PRESSURE RANGE | VARIES ACCORDING TO DIAMETRICAL CLEARANCE |

HERCULES PART NUMBERS

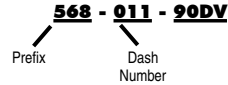


| Part Number | Nom. Cross Section | CROSS SECTION | List Price |
|-------------|--------------------|---------------|------------|
| 568C-062V | 1/16 | .070 ±.006 | \$3.09 |
| 568C-093V | 3/32 | .103 ±.007 | 3.67 |
| 568C-125V | 1/8 | .139 ±.007 | 5.65 |
| 568C-187V | 3/16 | .210 ±.008 | 9.41 |
| 568C-250V | 1/4 | .275 ±.008 | 15.99 |

STYLE 568, 90 DURO FLUOROCARBON O-RINGS



HERCULES PART NUMBERS



| SEAL INFORMATION | |
|-------------------|---|
| MATERIAL | FLUOROCARBON |
| TEMPERATURE RANGE | -20° TO +400° F |
| PRESSURE RANGE | VARIABLE ACCORDING TO DIAMETRAL CLEARANCE |

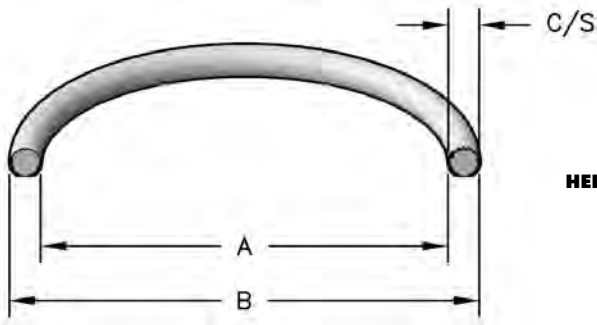
| Part Number | A Nom. ID | B Nom. OD | C Nom. Ht | INSIDE DIAMETER | CROSS SECTION | Package Quantity | List Price |
|--------------------|-----------|-----------|-----------|-----------------|---------------|------------------|------------|
| 1/16" C/S | | | | | | | |
| 568-011-90DV | 5/16 | 7/16 | 1/16 | .301 ±.005 | .070 ±.003 | 15 | \$0.73 |
| 568-012-90DV | 3/8 | 1/2 | 1/16 | .364 ±.005 | .070 ±.003 | 15 | 0.78 |
| 568-014-90DV | 1/2 | 5/8 | 1/16 | .489 ±.005 | .070 ±.003 | 10 | 0.88 |
| 568-015-90DV | 9/16 | 11/16 | 1/16 | .551 ±.007 | .070 ±.003 | 15 | 0.80 |
| 568-016-90DV | 5/8 | 3/4 | 1/16 | .614 ±.009 | .070 ±.003 | 15 | 0.80 |
| 568-017-90DV | 11/16 | 13/16 | 1/16 | .676 ±.009 | .070 ±.003 | 15 | 0.79 |
| 568-018-90DV | 3/4 | 7/8 | 1/16 | .739 ±.009 | .070 ±.003 | 15 | 0.80 |
| 568-019-90DV | 13/16 | 15/16 | 1/16 | .801 ±.009 | .070 ±.003 | 15 | 0.80 |
| 568-020-90DV | 7/8 | 1 | 1/16 | .864 ±.009 | .070 ±.003 | 15 | 0.82 |
| 568-021-90DV | 15/16 | 1-1/16 | 1/16 | .926 ±.009 | .070 ±.003 | 15 | 0.88 |
| 568-022-90DV | 1 | 1-1/8 | 1/16 | .989 ±.010 | .070 ±.003 | 15 | 0.88 |
| 568-025-90DV | 1-3/16 | 1-5/16 | 1/16 | 1.176 ±.011 | .070 ±.003 | 15 | 1.07 |
| 3/32" C/S | | | | | | | |
| 568-113-90DV | 9/16 | 3/4 | 3/32 | .549 ±.005 | .103 ±.003 | 15 | \$0.94 |
| 568-121-90DV | 1-1/16 | 1-1/4 | 3/32 | 1.049 ±.010 | .103 ±.003 | 1 | 8.24 |
| 568-131-90DV | 1-11/16 | 1-7/8 | 3/32 | 1.674 ±.015 | .103 ±.003 | 1 | 1.94 |
| 568-159-90DV | 5 | 5-3/16 | 3/32 | 4.987 ±.035 | .103 ±.003 | 1 | 7.76 |
| 1/8" C/S | | | | | | | |
| 568-214-90DV | 1 | 1-1/4 | 1/8 | .984 ±.010 | .139 ±.004 | 3 | \$2.44 |
| 568-215-90DV-BLACK | 1-1/16 | 1-5/16 | 1/8 | 1.046 ±.010 | .139 ±.004 | 1 | 1.47 |
| 568-218-90DV | 1-1/4 | 1-1/2 | 1/8 | 1.234 ±.012 | .139 ±.004 | 2 | 3.45 |
| 568-223-90DV | 1-5/8 | 1-7/8 | 1/8 | 1.609 ±.015 | .139 ±.004 | 2 | 3.63 |
| 568-224-90DV | 1-3/4 | 2 | 1/8 | 1.734 ±.015 | .139 ±.004 | 2 | 4.94 |
| 568-226-90DV | 2 | 2-1/4 | 1/8 | 1.984 ±.018 | .139 ±.004 | 2 | 6.15 |
| 568-227-90DV | 2-1/8 | 2-3/8 | 1/8 | 2.109 ±.018 | .139 ±.004 | 2 | 6.15 |
| 568-232-90DV | 2-3/4 | 3 | 1/8 | 2.734 ±.024 | .139 ±.004 | 3 | 2.63 |
| 568-233-90DV | 2-7/8 | 3-1/8 | 1/8 | 2.859 ±.024 | .139 ±.004 | 3 | 5.92 |
| 568-239-90DV | 3-5/8 | 3-7/8 | 1/8 | 3.609 ±.028 | .139 ±.004 | 2 | 6.26 |
| 568-240-90DV | 3-3/4 | 4 | 1/8 | 3.734 ±.028 | .139 ±.004 | 1 | 9.30 |
| 568-246-90DV | 4-1/2 | 4-3/4 | 1/8 | 4.484 ±.030 | .139 ±.004 | 1 | 8.20 |
| 568-254-90DV | 5-1/2 | 5-3/4 | 1/8 | 5.484 ±.035 | .139 ±.004 | 1 | 10.13 |
| 568-260-90DV | 6-1/2 | 6-3/4 | 1/8 | 6.484 ±.040 | .139 ±.004 | 1 | 12.46 |
| 568-264-90DV | 7-1/2 | 7-3/4 | 1/8 | 7.484 ±.045 | .139 ±.004 | 1 | 14.01 |
| 568-272-90DV | 9-1/2 | 9-3/4 | 1/8 | 9.484 ±.055 | .139 ±.004 | 1 | 27.93 |
| 568-277-90DV | 11-1/2 | 11-3/4 | 1/8 | 11.484 ±.065 | .139 ±.004 | 1 | 30.53 |
| 3/16" C/S | | | | | | | |
| 568-334-90DV | 2-5/8 | 3 | 3/16 | 2.600 ±.020 | .210 ±.005 | 1 | \$9.77 |
| 568-363-90DV | 6-1/2 | 6-7/8 | 3/16 | 6.475 ±.040 | .210 ±.005 | 1 | 27.14 |
| 568-364-90DV | 6-3/4 | 7-1/8 | 3/16 | 6.725 ±.040 | .210 ±.005 | 1 | 27.29 |
| 1/4" C/S | | | | | | | |
| 568-433-90DV | 5-1/2 | 6 | 1/4 | 5.475 ±.037 | .275 ±.006 | 1 | \$25.65 |

O-RINGS

FORMERLY LISTED SEALS ARE AVAILABLE ONLINE AT WWW.HERCULESUS.COM
 OR BY CONTACTING YOUR REGIONAL HERCULES SALES TEAM.



STYLE 568, 90 DURO FLUOROCARBON BOSS O-RINGS



HERCULES PART NUMBERS

568 - 901 V
 Prefix Dash Number

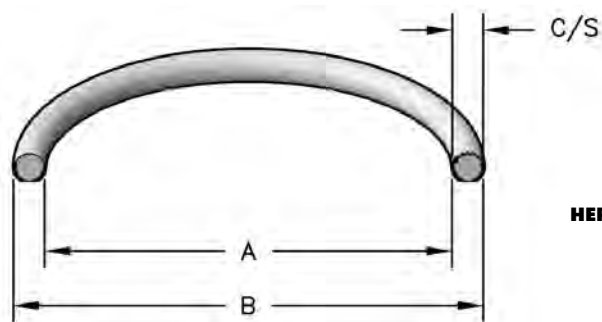
SEAL INFORMATION

| | |
|-------------------|---|
| MATERIAL | FLUOROCARBON |
| TEMPERATURE RANGE | -20° TO +400° F |
| PRESSURE RANGE | VARIES ACCORDING TO DIAMETRAL CLEARANCE |

O-RINGS

| Part Number | INSIDE DIAMETER | CROSS SECTION | Package Quantity | List Price |
|----------------|-----------------|---------------|------------------|------------|
| 568-901V | .185 ±.005 | .056 ±.003 | 10 | \$0.89 |
| 568-902V | .239 ±.005 | .064 ±.003 | 10 | 1.00 |
| 568-903V | .301 ±.005 | .064 ±.003 | 10 | 1.01 |
| 568-904V | .351 ±.005 | .072 ±.003 | 10 | 1.08 |
| 568-905V | .414 ±.005 | .072 ±.003 | 10 | 1.10 |
| 568-906V | .468 ±.005 | .078 ±.003 | 10 | 1.15 |
| 568-907V | .530 ±.005 | .082 ±.003 | 10 | 1.22 |
| 568-908V | .644 ±.009 | .087 ±.003 | 10 | 1.35 |
| 568-909V | .706 ±.009 | .097 ±.003 | 10 | 1.70 |
| 568-910V | .755 ±.009 | .097 ±.003 | 10 | 1.83 |
| 568-911V | .863 ±.009 | .116 ±.004 | 5 | 2.13 |
| 568-912V | .924 ±.009 | .116 ±.004 | 5 | 2.42 |
| 568-913V | .986 ±.010 | .116 ±.004 | 5 | 2.29 |
| 568-914V | 1.047 ±.010 | .116 ±.004 | 3 | 3.05 |
| 568-916V | 1.171 ±.010 | .116 ±.004 | 3 | 3.27 |
| 568-918V | 1.355 ±.012 | .116 ±.004 | 3 | 3.41 |
| 568-920V | 1.475 ±.012 | .118 ±.004 | 3 | 4.00 |
| 568-924V | 1.720 ±.014 | .118 ±.004 | 2 | 5.61 |
| 568-924V-BLACK | 1.720 ±.014 | .118 ±.004 | 2 | 5.61 |
| 568-928V | 2.090 ±.018 | .118 ±.004 | 2 | 6.85 |
| 568-932V | 2.337 ±.018 | .118 ±.004 | 2 | 7.56 |

STYLE 568 70A & 90A DURO ETHYLENE PROPYLENE O-RINGS



HERCULES PART NUMBERS

568 - 008 EP
 Prefix Dash Number

| SEAL INFORMATION | |
|-------------------|---|
| MATERIAL | ETHYLENE PROPYLENE |
| TEMPERATURE RANGE | -65° TO +300° F |
| PRESSURE RANGE | VARIES ACCORDING TO DIAMETRAL CLEARANCE |

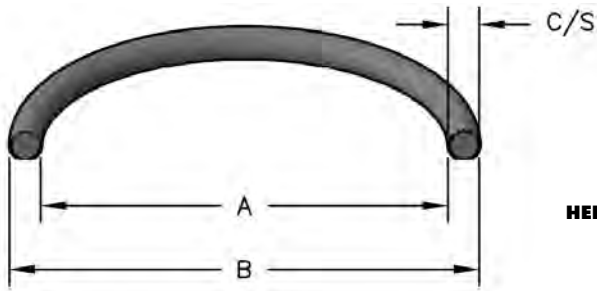
NOTE: This compound is NOT D.O.T. certified for brake system use.

O-RINGS

| Part Number | A Nom. ID | B Nom. OD | C Nom. Ht | INSIDE DIAMETER | CROSS SECTION | Package Quantity | List Price |
|------------------|-----------|-----------|-----------|-----------------|---------------|------------------|------------|
| 1/16" C/S | | | | | | | |
| 568-008EP | 3/16 | 5/16 | 1/16 | .176 ±.005 | .070 ±.003 | 14 | \$0.55 |
| 568-010EP | 1/4 | 3/8 | 1/16 | .239 ±.005 | .070 ±.003 | 12 | 0.60 |
| 568-011EP | 5/16 | 7/16 | 1/16 | .301 ±.005 | .070 ±.003 | 12 | 0.65 |
| 568-012EP | 3/8 | 1/2 | 1/16 | .364 ±.005 | .070 ±.003 | 12 | 0.69 |
| 568-013EP | 7/16 | 9/16 | 1/16 | .426 ±.005 | .070 ±.003 | 8 | 0.93 |
| 568-014EP | 1/2 | 5/8 | 1/16 | .489 ±.005 | .070 ±.003 | 6 | 0.94 |
| 568-015EP | 9/16 | 11/16 | 1/16 | .551 ±.007 | .070 ±.003 | 10 | 0.94 |
| 568-018EP | 3/4 | 7/8 | 1/16 | .739 ±.009 | .070 ±.003 | 6 | 1.08 |
| 3/32" C/S | | | | | | | |
| 568-110EP | 3/8 | 9/16 | 3/32 | .362 ±.005 | .103 ±.003 | 10 | \$0.72 |
| 568-111EP | 7/16 | 5/8 | 3/32 | .424 ±.005 | .103 ±.003 | 10 | 0.77 |
| 568-112EP | 1/2 | 11/16 | 3/32 | .487 ±.005 | .103 ±.003 | 8 | 0.80 |
| 568-113EP | 9/16 | 3/4 | 3/32 | .549 ±.005 | .103 ±.003 | 8 | 0.83 |
| 568-114EP | 5/8 | 13/16 | 3/32 | .612 ±.009 | .103 ±.003 | 8 | 0.89 |
| 568-115EP | 11/16 | 7/8 | 3/32 | .674 ±.009 | .103 ±.003 | 8 | 0.90 |
| 568-116EP | 3/4 | 15/16 | 3/32 | .737 ±.009 | .103 ±.003 | 8 | 0.94 |
| 568-126-90DEP | 1-3/8 | 1-9/16 | 3/32 | 1.362 ±.012 | .103 ±.003 | 5 | 0.63 |
| 1/8" C/S | | | | | | | |
| 568-210EP | 3/4 | 1 | 1/8 | .734 ±.010 | .139 ±.004 | 8 | \$0.97 |
| 568-212EP | 7/8 | 1-1/8 | 1/8 | .859 ±.010 | .139 ±.004 | 5 | 1.08 |
| 568-214EP | 1 | 1-1/4 | 1/8 | .984 ±.010 | .139 ±.004 | 6 | 1.20 |
| 568-215EP | 1-1/16 | 1-5/16 | 1/8 | 1.046 ±.010 | .139 ±.004 | 6 | 1.23 |
| 568-218EP | 1-1/4 | 1-1/2 | 1/8 | 1.234 ±.012 | .139 ±.004 | 5 | 1.34 |
| 568-220EP | 1-3/8 | 1-5/8 | 1/8 | 1.359 ±.012 | .139 ±.004 | 5 | 1.41 |
| 568-222EP | 1-1/2 | 1-3/4 | 1/8 | 1.484 ±.015 | .139 ±.004 | 5 | 1.47 |
| 568-238EP | 3-1/2 | 3-3/4 | 1/8 | 3.484 ±.024 | .139 ±.004 | 1 | 2.44 |
| 568-248EP | 4-3/4 | 5 | 1/8 | 4.734 ±.030 | .139 ±.004 | 3 | 2.97 |
| 3/16" C/S | | | | | | | |
| 568-327EP | 1-3/4 | 2-1/8 | 3/16 | 1.725 ±.015 | .210 ±.005 | 5 | \$1.55 |



STYLE 568, 70A DURO SILICONE O-RINGS



HERCULES PART NUMBERS

568 - 008 S
 Prefix Dash Number

SEAL INFORMATION

| | |
|-------------------|---|
| MATERIAL | SILICONE |
| TEMPERATURE RANGE | -70° TO +400° F |
| PRESSURE RANGE | VARIES ACCORDING TO DIAMETRAL CLEARANCE |

O-RINGS

| Part Number | A Nom. ID | B Nom. OD | C Nom. Ht | INSIDE DIAMETER | CROSS SECTION | Package Quantity | List Price |
|------------------|--------------|--------------|--------------|--------------------|------------------|---------------------|---------------|
| 1/16" C/S | | | | | | | |
| 568-008S | 3/16 | 5/16 | 1/16 | .176 ±.005 | .070 ±.003 | 50 | \$0.51 |
| 568-010S | 1/4 | 3/8 | 1/16 | .239 ±.005 | .070 ±.003 | 20 | 0.57 |
| 568-011S | 5/16 | 7/16 | 1/16 | .301 ±.005 | .070 ±.003 | 20 | 0.59 |
| 568-012S | 3/8 | 1/2 | 1/16 | .364 ±.005 | .070 ±.003 | 20 | 0.59 |
| 568-013S | 7/16 | 9/16 | 1/16 | .426 ±.005 | .070 ±.003 | 20 | 0.59 |
| 568-014S | 1/2 | 5/8 | 1/16 | .489 ±.005 | .070 ±.003 | 12 | 0.58 |
| 568-015S | 9/16 | 11/16 | 1/16 | .551 ±.007 | .070 ±.003 | 20 | 0.60 |
| 568-016S | 5/8 | 3/4 | 1/16 | .614 ±.009 | .070 ±.003 | 12 | 0.62 |
| 568-018S | 3/4 | 7/8 | 1/16 | .739 ±.009 | .070 ±.003 | 12 | 0.62 |
| 568-025S | 1-3/16 | 1-5/16 | 1/16 | 1.176 ±.011 | .070 ±.003 | 11 | 0.62 |
| 568-028S | 1-3/8 | 1-1/2 | 1/16 | 1.364 ±.013 | .070 ±.003 | 11 | 1.26 |
| 568-042S | 3-1/4 | 3-3/8 | 1/16 | 3.239 ±.024 | .070 ±.003 | 10 | 0.80 |
| 3/32" C/S | | | | | | | |
| 568-108S | 1/4 | 7/16 | 3/32 | .237 ±.005 | .103 ±.003 | 12 | \$0.51 |
| 568-110S | 3/8 | 9/16 | 3/32 | .362 ±.005 | .103 ±.003 | 12 | 0.55 |
| 568-111S | 7/16 | 5/8 | 3/32 | .424 ±.005 | .103 ±.003 | 12 | 0.57 |
| 568-112S | 1/2 | 11/16 | 3/32 | .487 ±.005 | .103 ±.003 | 12 | 0.77 |
| 568-113S | 9/16 | 3/4 | 3/32 | .549 ±.005 | .103 ±.003 | 14 | 0.51 |
| 568-115S | 11/16 | 7/8 | 3/32 | .674 ±.009 | .103 ±.003 | 13 | 0.57 |
| 568-116S | 3/4 | 15/16 | 3/32 | .737 ±.009 | .103 ±.003 | 12 | 0.59 |
| 568-117S | 13/16 | 1 | 3/32 | .799 ±.010 | .103 ±.003 | 11 | 0.62 |
| 568-118S | 7/8 | 1-1/16 | 3/32 | .862 ±.010 | .103 ±.003 | 10 | 0.69 |
| 568-120S | 1 | 1-3/16 | 3/32 | .987 ±.010 | .103 ±.003 | 8 | 0.72 |
| 1/8" C/S | | | | | | | |
| 568-210S | 3/4 | 1 | 1/8 | .734 ±.010 | .139 ±.004 | 10 | \$0.78 |
| 568-211S | 13/16 | 1-1/16 | 1/8 | .796 ±.010 | .139 ±.004 | 9 | 0.79 |
| 568-212S | 7/8 | 1-1/8 | 1/8 | .859 ±.010 | .139 ±.004 | 8 | 0.94 |
| 568-213S | 15/16 | 1-3/16 | 1/8 | .921 ±.010 | .139 ±.004 | 7 | 1.01 |
| 568-214S | 1 | 1-1/4 | 1/8 | .984 ±.010 | .139 ±.004 | 7 | 1.10 |
| 568-215S | 1-1/16 | 1-5/16 | 1/8 | 1.046 ±.010 | .139 ±.004 | 6 | 1.23 |
| 568-216S | 1-1/8 | 1-3/8 | 1/8 | 1.109 ±.012 | .139 ±.004 | 6 | 1.23 |
| 568-218S | 1-1/4 | 1-1/2 | 1/8 | 1.234 ±.012 | .139 ±.004 | 6 | 1.34 |
| 568-219S | 1-5/16 | 1-9/16 | 1/8 | 1.296 ±.012 | .139 ±.004 | 6 | 1.37 |
| 568-220S | 1-3/8 | 1-5/8 | 1/8 | 1.359 ±.012 | .139 ±.004 | 5 | 1.41 |
| 568-222S | 1-1/2 | 1-3/4 | 1/8 | 1.484 ±.015 | .139 ±.004 | 8 | 1.73 |
| 568-223S | 1-5/8 | 1-7/8 | 1/8 | 1.609 ±.015 | .139 ±.004 | 5 | 1.79 |
| 568-224S | 1-3/4 | 2 | 1/8 | 1.734 ±.015 | .139 ±.004 | 5 | 1.89 |
| 568-226S | 2 | 2-1/4 | 1/8 | 1.984 ±.018 | .139 ±.004 | 4 | 2.00 |
| 568-227S | 2-1/8 | 2-3/8 | 1/8 | 2.109 ±.018 | .139 ±.004 | 4 | 2.07 |
| 568-228S | 2-1/4 | 2-1/2 | 1/8 | 2.234 ±.020 | .139 ±.004 | 4 | 2.13 |
| 568-231S | 2-5/8 | 2-7/8 | 1/8 | 2.609 ±.020 | .139 ±.004 | 3 | 2.59 |

NORTH AMERICA
 PHONE 1-800-777-5617
 FAX 1-800-759-6391

SALES OFFICE HOURS
 8 A.M. TO 7:30 P.M. EASTERN TIME
www.HerculesUS.com

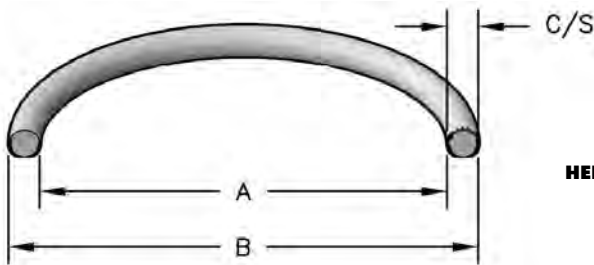
WORLDWIDE
 PHONE 1-727-796-1300
 FAX 1-727-797-8849

STYLE 568, 70A DURO SILICONE O-RINGS

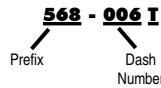
| Part Number | A Nom. ID | B Nom. OD | C Nom. Ht | INSIDE DIAMETER | CROSS SECTION | Package Quantity | List Price |
|------------------|-----------|-----------|-----------|-----------------|---------------|------------------|------------|
| 568-232S | 2-3/4 | 3 | 1/8 | 2.734 ±.024 | .139 ±.004 | 3 | 2.67 |
| 568-238S | 3-1/2 | 3-3/4 | 1/8 | 3.484 ±.024 | .139 ±.004 | 3 | 3.13 |
| 568-239S | 3-5/8 | 3-7/8 | 1/8 | 3.609 ±.028 | .139 ±.004 | 2 | 3.63 |
| 568-240S | 3-3/4 | 4 | 1/8 | 3.734 ±.028 | .139 ±.004 | 2 | 3.72 |
| 568-248S | 4-3/4 | 5 | 1/8 | 4.734 ±.030 | .139 ±.004 | 2 | 5.67 |
| 568-258S | 6 | 6-1/4 | 1/8 | 5.984 ±.035 | .139 ±.004 | 5 | 1.20 |
| 568-265S | 7-3/4 | 8 | 1/8 | 7.734 ±.045 | .139 ±.004 | 1 | 4.71 |
| 3/16" C/S | | | | | | | |
| 568-320S | 1-1/8 | 1-1/2 | 3/16 | 1.100 ±.012 | .210 ±.005 | 5 | \$ 1.46 |
| 568-325S | 1-1/2 | 1-7/8 | 3/16 | 1.475 ±.015 | .210 ±.005 | 4 | 1.89 |
| 568-326S | 1-5/8 | 2 | 3/16 | 1.600 ±.015 | .210 ±.005 | 4 | 2.03 |
| 568-329S | 2 | 2-3/8 | 3/16 | 1.975 ±.018 | .210 ±.005 | 3 | 2.46 |
| 568-334S | 2-5/8 | 3 | 3/16 | 2.600 ±.020 | .210 ±.005 | 3 | 2.77 |
| 568-367S | 7-1/2 | 7-7/8 | 3/16 | 7.475 ±.045 | .210 ±.005 | 1 | 8.63 |
| 1/4" C/S | | | | | | | |
| 568-445S | 8 | 8-1/2 | 1/4 | 7.975 ±.045 | .275 ±.006 | 1 | \$29.21 |

O-RINGS

STYLE 568, 55 - 58 SHORE D PTFE O-RING



HERCULES PART NUMBERS



SEAL INFORMATION

| | |
|-------------------|---|
| MATERIAL | 55 - 58 SHORE D PTFE |
| TEMPERATURE RANGE | -100° TO +500° F |
| PRESSURE RANGE | VARIES ACCORDING TO DIAMETRAL CLEARANCE |

| Part Number | A Nom. ID | B Nom. OD | C Nom. Ht | INSIDE DIAMETER | CROSS SECTION | Package Quantity | List Price |
|------------------|-----------|-----------|-----------|-----------------|---------------|------------------|------------|
| 1/16" C/S | | | | | | | |
| 568-006T | 1/8 | 1/4 | 1/16 | .114 ±.005 | .070 ±.003 | 7 | \$ 1.90 |
| 568-009T | 7/32 | 11/32 | 1/16 | .208 ±.005 | .070 ±.003 | 6 | 2.32 |
| 568-010T | 1/4 | 3/8 | 1/16 | .239 ±.005 | .070 ±.003 | 5 | 2.32 |
| 568-011T | 5/16 | 7/16 | 1/16 | .301 ±.005 | .070 ±.003 | 5 | 2.32 |
| 568-012T | 3/8 | 1/2 | 1/16 | .364 ±.005 | .070 ±.003 | 5 | 3.15 |
| 568-013T | 7/16 | 9/16 | 1/16 | .426 ±.005 | .070 ±.003 | 6 | 2.47 |
| 568-014T | 1/2 | 5/8 | 1/16 | .489 ±.005 | .070 ±.003 | 5 | 2.65 |
| 568-015T | 9/16 | 11/16 | 1/16 | .551 ±.007 | .070 ±.003 | 5 | 2.80 |
| 568-016T | 5/8 | 3/4 | 1/16 | .614 ±.009 | .070 ±.003 | 4 | 3.75 |
| 568-018T | 3/4 | 7/8 | 1/16 | .739 ±.009 | .070 ±.003 | 4 | 3.57 |
| 568-020T | 7/8 | 1 | 1/16 | .864 ±.009 | .070 ±.003 | 4 | 3.80 |
| 568-021T | 15/16 | 1-1/16 | 1/16 | .926 ±.009 | .070 ±.003 | 3 | 4.45 |

FORMERLY LISTED SEALS ARE AVAILABLE ONLINE AT WWW.HERCULESUS.COM
OR BY CONTACTING YOUR REGIONAL HERCULES SALES TEAM.



STYLE 568, 55 - 58 SHORE D PTFE O-RING

O-RINGS

| Part Number | A Nom. ID | B Nom. OD | C Nom. Ht | INSIDE DIAMETER | CROSS SECTION | Package Quantity | List Price |
|------------------|--------------|--------------|--------------|--------------------|------------------|---------------------|---------------|
| 568-022T | 1 | 1-1/8 | 1/16 | .989 ±.010 | .070 ±.003 | 3 | 4.45 |
| 568-023T | 1-1/16 | 1-3/16 | 1/16 | 1.051 ±.010 | .070 ±.003 | 3 | 4.50 |
| 568-024T | 1-1/8 | 1-1/4 | 1/16 | 1.114 ±.010 | .070 ±.003 | 3 | 4.50 |
| 568-026T | 1-1/4 | 1-3/8 | 1/16 | 1.239 ±.011 | .070 ±.003 | 3 | 5.80 |
| 568-028T | 1-3/8 | 1-1/2 | 1/16 | 1.364 ±.013 | .070 ±.003 | 2 | 6.52 |
| 568-029T | 1-1/2 | 1-5/8 | 1/16 | 1.489 ±.013 | .070 ±.003 | 2 | 7.07 |
| 568-030T | 1-5/8 | 1-3/4 | 1/16 | 1.614 ±.013 | .070 ±.003 | 2 | 7.07 |
| 568-032T | 1-7/8 | 2 | 1/16 | 1.864 ±.015 | .070 ±.003 | 2 | 7.42 |
| 3/32" C/S | | | | | | | |
| 568-109T | 5/16 | 1/2 | 3/32 | .299 ±.005 | .103 ±.003 | 5 | \$2.98 |
| 568-110T | 3/8 | 9/16 | 3/32 | .362 ±.005 | .103 ±.003 | 5 | 2.98 |
| 568-111T | 7/16 | 5/8 | 3/32 | .424 ±.005 | .103 ±.003 | 5 | 2.98 |
| 568-112T | 1/2 | 11/16 | 3/32 | .487 ±.005 | .103 ±.003 | 4 | 3.27 |
| 568-114T | 5/8 | 13/16 | 3/32 | .612 ±.009 | .103 ±.003 | 4 | 3.30 |
| 568-115T | 11/16 | 7/8 | 3/32 | .674 ±.009 | .103 ±.003 | 4 | 3.30 |
| 568-116T | 3/4 | 15/16 | 3/32 | .737 ±.009 | .103 ±.003 | 4 | 3.75 |
| 568-117T | 13/16 | 1 | 3/32 | .799 ±.010 | .103 ±.003 | 4 | 4.37 |
| 568-121T | 1-1/16 | 1-1/4 | 3/32 | 1.049 ±.010 | .103 ±.003 | 4 | 6.92 |
| 568-122T | 1-1/8 | 1-5/16 | 3/32 | 1.112 ±.010 | .103 ±.003 | 4 | 6.92 |
| 568-126T | 1-3/8 | 1-9/16 | 3/32 | 1.362 ±.012 | .103 ±.003 | 3 | 5.63 |
| 568-132T | 1-3/4 | 1-15/16 | 3/32 | 1.737 ±.015 | .103 ±.003 | 2 | 6.68 |
| 568-133T | 1-13/16 | 2 | 3/32 | 1.799 ±.015 | .103 ±.003 | 2 | 6.85 |
| 568-137T | 2-1/16 | 2-1/4 | 3/32 | 2.050 ±.017 | .103 ±.003 | 2 | 9.20 |
| 568-142T | 2-3/8 | 2-9/16 | 3/32 | 2.362 ±.020 | .103 ±.003 | 2 | 11.27 |
| 1/8" C/S | | | | | | | |
| 568-210T | 3/4 | 1 | 1/8 | .734 ±.010 | .139 ±.004 | 3 | \$3.94 |
| 568-212T | 7/8 | 1-1/8 | 1/8 | .859 ±.010 | .139 ±.004 | 2 | 7.56 |
| 568-213T | 15/16 | 1-3/16 | 1/8 | .921 ±.010 | .139 ±.004 | 3 | 4.90 |
| 568-214T | 1 | 1-1/4 | 1/8 | .984 ±.010 | .139 ±.004 | 3 | 4.90 |
| 568-215T | 1-1/16 | 1-5/16 | 1/8 | 1.046 ±.010 | .139 ±.004 | 3 | 5.05 |
| 568-218T | 1-1/4 | 1-1/2 | 1/8 | 1.234 ±.012 | .139 ±.004 | 1 | 7.63 |
| 568-219T | 1-5/16 | 1-9/16 | 1/8 | 1.296 ±.012 | .139 ±.004 | 2 | 7.63 |
| 568-220T | 1-3/8 | 1-5/8 | 1/8 | 1.359 ±.012 | .139 ±.004 | 2 | 8.48 |
| 568-223T | 1-5/8 | 1-7/8 | 1/8 | 1.609 ±.015 | .139 ±.004 | 2 | 10.69 |
| 568-224T | 1-3/4 | 2 | 1/8 | 1.734 ±.015 | .139 ±.004 | 2 | 10.69 |
| 568-225T | 1-7/8 | 2-1/8 | 1/8 | 1.859 ±.018 | .139 ±.004 | 2 | 11.27 |
| 568-226T | 2 | 2-1/4 | 1/8 | 1.984 ±.018 | .139 ±.004 | 2 | 11.27 |
| 568-228T | 2-1/4 | 2-1/2 | 1/8 | 2.234 ±.020 | .139 ±.004 | 1 | 12.47 |
| 568-229T | 2-3/8 | 2-5/8 | 1/8 | 2.359 ±.020 | .139 ±.004 | 1 | 12.47 |
| 568-231T | 2-5/8 | 2-7/8 | 1/8 | 2.609 ±.020 | .139 ±.004 | 1 | 12.74 |
| 568-232T | 2-3/4 | 3 | 1/8 | 2.734 ±.024 | .139 ±.004 | 1 | 13.37 |
| 568-234T | 3 | 3-1/4 | 1/8 | 2.984 ±.024 | .139 ±.004 | 1 | 13.92 |
| 568-235T | 3-1/8 | 3-3/8 | 1/8 | 3.109 ±.024 | .139 ±.004 | 1 | 14.37 |
| 568-236T | 3-1/4 | 3-1/2 | 1/8 | 3.234 ±.024 | .139 ±.004 | 1 | 14.52 |
| 568-240T | 3-3/4 | 4 | 1/8 | 3.734 ±.028 | .139 ±.004 | 1 | 15.88 |
| 568-242T | 4 | 4-1/4 | 1/8 | 3.984 ±.028 | .139 ±.004 | 1 | 17.35 |
| 568-248T | 4-3/4 | 5 | 1/8 | 4.734 ±.030 | .139 ±.004 | 1 | 29.67 |
| 568-258T | 6 | 6-1/4 | 1/8 | 5.984 ±.035 | .139 ±.004 | 1 | 65.29 |
| 568-273T | 9-3/4 | 10 | 1/8 | 9.734 ±.055 | .139 ±.004 | 1 | 105.05 |
| 3/16" C/S | | | | | | | |
| 568-326T | 1-5/8 | 2 | 3/16 | 1.600 ±.015 | .210 ±.005 | 1 | \$14.85 |
| 568-327T | 1-3/4 | 2-1/8 | 3/16 | 1.725 ±.015 | .210 ±.005 | 1 | 14.85 |
| 568-342T | 3-5/8 | 4 | 3/16 | 3.600 ±.028 | .210 ±.005 | 1 | 26.32 |

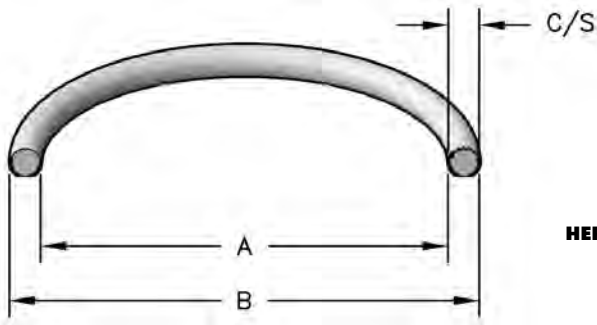
Seal color may vary. Special order sizes are available. Sizes not shown and out of stock items can also be ordered for next day delivery through Seals On Demand, our custom seal program. Please call your regional sales team for assistance.

NORTH AMERICA
PHONE 1-800-777-5617
FAX 1-800-759-6391

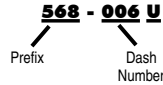
SALES OFFICE HOURS
8 A.M. TO 7:30 P.M. EASTERN TIME
www.HerculesUS.com

WORLDWIDE
PHONE 1-727-796-1300
FAX 1-727-797-8849

STYLE 568, 90 DURO URETHANE O-RINGS



HERCULES PART NUMBERS



| SEAL INFORMATION | |
|-------------------|---|
| MATERIAL | 90A URETHANE |
| TEMPERATURE RANGE | -65° TO +220° F |
| PRESSURE RANGE | VARIES ACCORDING TO DIAMETRAL CLEARANCE |

O-RINGS

| Part Number | A Nom. ID | B Nom. OD | C Nom. Ht | INSIDE DIAMETER | CROSS SECTION | Package Quantity | List Price |
|------------------|--------------|--------------|--------------|--------------------|------------------|---------------------|---------------|
| 1/16" C/S | | | | | | | |
| 568-006U | 1/8 | 1/4 | 1/16 | .114 ±.005 | .070 ±.003 | 4 | \$2.44 |
| 568-008U | 3/16 | 5/16 | 1/16 | .176 ±.005 | .070 ±.003 | 3 | 3.03 |
| 568-009U | 7/32 | 11/32 | 1/16 | .208 ±.005 | .070 ±.003 | 3 | 3.07 |
| 568-010U | 1/4 | 3/8 | 1/16 | .239 ±.005 | .070 ±.003 | 3 | 3.06 |
| 568-011U | 5/16 | 7/16 | 1/16 | .301 ±.005 | .070 ±.003 | 3 | 3.15 |
| 568-012U | 3/8 | 1/2 | 1/16 | .364 ±.005 | .070 ±.003 | 3 | 3.20 |
| 568-013U | 7/16 | 9/16 | 1/16 | .426 ±.005 | .070 ±.003 | 3 | 3.22 |
| 568-014U | 1/2 | 5/8 | 1/16 | .489 ±.005 | .070 ±.003 | 3 | 3.22 |
| 568-014U-70D | 1/2 | 5/8 | 1/16 | .489 ±.005 | .070 ±.003 | 3 | 3.22 |
| 568-015U | 9/16 | 11/16 | 1/16 | .551 ±.007 | .070 ±.003 | 1 | 3.24 |
| 568-016U | 5/8 | 3/4 | 1/16 | .614 ±.009 | .070 ±.003 | 3 | 3.24 |
| 568-016U-70D | 5/8 | 3/4 | 1/16 | .614 ±.009 | .070 ±.003 | 3 | 4.46 |
| 568-017U | 11/16 | 13/16 | 1/16 | .676 ±.009 | .070 ±.003 | 3 | 3.34 |
| 568-018U | 3/4 | 7/8 | 1/16 | .739 ±.009 | .070 ±.003 | 3 | 3.41 |
| 568-020U | 7/8 | 1 | 1/16 | .864 ±.009 | .070 ±.003 | 3 | 3.44 |
| 568-022U | 1 | 1-1/8 | 1/16 | .989 ±.010 | .070 ±.003 | 3 | 4.55 |
| 568-023U | 1-1/16 | 1-3/16 | 1/16 | 1.051 ±.010 | .070 ±.003 | 3 | 4.55 |
| 568-031U | 1-3/4 | 1-7/8 | 1/16 | 1.739 ±.015 | .070 ±.003 | 2 | 6.44 |
| 3/32" C/S | | | | | | | |
| 568-110U | 3/8 | 9/16 | 3/32 | .362 ±.005 | .103 ±.003 | 2 | \$4.00 |
| 568-111U | 7/16 | 5/8 | 3/32 | .424 ±.005 | .103 ±.003 | 2 | 4.00 |
| 568-112U | 1/2 | 11/16 | 3/32 | .487 ±.005 | .103 ±.003 | 3 | 4.00 |
| 568-113U | 9/16 | 3/4 | 3/32 | .549 ±.005 | .103 ±.003 | 2 | 5.57 |
| 568-114U | 5/8 | 13/16 | 3/32 | .612 ±.009 | .103 ±.003 | 2 | 5.00 |
| 568-115U | 11/16 | 7/8 | 3/32 | .674 ±.009 | .103 ±.003 | 2 | 5.00 |
| 568-116U | 3/4 | 15/16 | 3/32 | .737 ±.009 | .103 ±.003 | 2 | 6.09 |
| 568-117U | 13/16 | 1 | 3/32 | .799 ±.010 | .103 ±.003 | 2 | 6.43 |
| 568-118U | 7/8 | 1-1/16 | 3/32 | .862 ±.010 | .103 ±.003 | 2 | 7.29 |
| 568-119U | 15/16 | 1-1/8 | 3/32 | .924 ±.010 | .103 ±.003 | 2 | 7.29 |
| 568-120U | 1 | 1-3/16 | 3/32 | .987 ±.010 | .103 ±.003 | 2 | 7.77 |
| 568-121U | 1-1/16 | 1-1/4 | 3/32 | 1.049 ±.010 | .103 ±.003 | 2 | 7.77 |
| 568-122U | 1-1/8 | 1-5/16 | 3/32 | 1.112 ±.010 | .103 ±.003 | 2 | 7.77 |
| 568-123U | 1-3/16 | 1-3/8 | 3/32 | 1.174 ±.012 | .103 ±.003 | 2 | 8.49 |
| 568-124U | 1-1/4 | 1-7/16 | 3/32 | 1.237 ±.012 | .103 ±.003 | 2 | 8.49 |
| 568-131U | 1-11/16 | 1-7/8 | 3/32 | 1.674 ±.015 | .103 ±.003 | 2 | 11.23 |
| 568-133U | 1-13/16 | 2 | 3/32 | 1.799 ±.015 | .103 ±.003 | 2 | 11.23 |
| 568-134U | 1-7/8 | 2-1/16 | 3/32 | 1.862 ±.015 | .103 ±.003 | 1 | 11.23 |
| 568-136U-70D | 2 | 2-3/16 | 3/32 | 1.987 ±.017 | .103 ±.003 | 2 | 7.31 |
| 568-148U | 2-3/4 | 2-15/16 | 3/32 | 2.737 ±.022 | .103 ±.003 | 1 | 12.07 |
| 1/8" C/S | | | | | | | |
| 568-206U | 1/2 | 3/4 | 1/8 | .484 ±.005 | .139 ±.004 | 3 | \$4.02 |

FORMERLY LISTED SEALS ARE AVAILABLE ONLINE AT WWW.HERCULESUS.COM
OR BY CONTACTING YOUR REGIONAL HERCULES SALES TEAM.



STYLE 568, 90 DURO URETHANE O-RINGS

O-RINGS

| Part Number | A Nom. ID | B Nom. OD | C Nom. Ht | INSIDE DIAMETER | CROSS SECTION | Package Quantity | List Price |
|------------------|-----------|-----------|-----------|-----------------|---------------|------------------|------------|
| 568-210U | 3/4 | 1 | 1/8 | .734 ±.010 | .139 ±.004 | 3 | 5.17 |
| 568-211U | 13/16 | 1-1/16 | 1/8 | .796 ±.010 | .139 ±.004 | 2 | 5.17 |
| 568-213U | 15/16 | 1-3/16 | 1/8 | .921 ±.010 | .139 ±.004 | 2 | 5.27 |
| 568-216U | 1-1/8 | 1-3/8 | 1/8 | 1.109 ±.012 | .139 ±.004 | 2 | 5.59 |
| 568-218U | 1-1/4 | 1-1/2 | 1/8 | 1.234 ±.012 | .139 ±.004 | 2 | 5.59 |
| 568-219U | 1-5/16 | 1-9/16 | 1/8 | 1.296 ±.012 | .139 ±.004 | 2 | 6.67 |
| 568-220U | 1-3/8 | 1-5/8 | 1/8 | 1.359 ±.012 | .139 ±.004 | 2 | 9.72 |
| 568-221U | 1-7/16 | 1-11/16 | 1/8 | 1.421 ±.012 | .139 ±.004 | 2 | 7.09 |
| 568-222U | 1-1/2 | 1-3/4 | 1/8 | 1.484 ±.015 | .139 ±.004 | 2 | 7.09 |
| 568-223U | 1-5/8 | 1-7/8 | 1/8 | 1.609 ±.015 | .139 ±.004 | 2 | 10.34 |
| 568-224U | 1-3/4 | 2 | 1/8 | 1.734 ±.015 | .139 ±.004 | 2 | 10.34 |
| 568-225U | 1-7/8 | 2-1/8 | 1/8 | 1.859 ±.018 | .139 ±.004 | 1 | 11.06 |
| 568-226U | 2 | 2-1/4 | 1/8 | 1.984 ±.018 | .139 ±.004 | 2 | 11.06 |
| 568-227U | 2-1/8 | 2-3/8 | 1/8 | 2.109 ±.018 | .139 ±.004 | 2 | 11.06 |
| 568-228U | 2-1/4 | 2-1/2 | 1/8 | 2.234 ±.020 | .139 ±.004 | 2 | 11.06 |
| 568-230U | 2-1/2 | 2-3/4 | 1/8 | 2.484 ±.020 | .139 ±.004 | 2 | 11.34 |
| 568-232U | 2-3/4 | 3 | 1/8 | 2.734 ±.024 | .139 ±.004 | 2 | 11.95 |
| 568-233U | 2-7/8 | 3-1/8 | 1/8 | 2.859 ±.024 | .139 ±.004 | 1 | 11.95 |
| 568-234U | 3 | 3-1/4 | 1/8 | 2.984 ±.024 | .139 ±.004 | 1 | 11.95 |
| 568-235U | 3-1/8 | 3-3/8 | 1/8 | 3.109 ±.024 | .139 ±.004 | 1 | 14.59 |
| 568-236U | 3-1/4 | 3-1/2 | 1/8 | 3.234 ±.024 | .139 ±.004 | 1 | 14.94 |
| 568-238U | 3-1/2 | 3-3/4 | 1/8 | 3.484 ±.024 | .139 ±.004 | 1 | 18.54 |
| 568-240U | 3-3/4 | 4 | 1/8 | 3.734 ±.028 | .139 ±.004 | 1 | 18.54 |
| 568-242U | 4 | 4-1/4 | 1/8 | 3.984 ±.028 | .139 ±.004 | 1 | 22.17 |
| 568-244U | 4-1/4 | 4-1/2 | 1/8 | 4.234 ±.030 | .139 ±.004 | 1 | 33.63 |
| 568-248U | 4-3/4 | 5 | 1/8 | 4.734 ±.030 | .139 ±.004 | 1 | 36.04 |
| 568-256U | 5-3/4 | 6 | 1/8 | 5.734 ±.035 | .139 ±.004 | 1 | 52.28 |
| 568-260U | 6-1/2 | 6-3/4 | 1/8 | 6.484 ±.040 | .139 ±.004 | 1 | 62.74 |
| 3/16" C/S | | | | | | | |
| 568-326U * | 1-5/8 | 2 | 3/16 | 1.600 ±.015 | .210 ±.005 | 1 | \$4.19 |
| 568-327U | 1-3/4 | 2-1/8 | 3/16 | 1.725 ±.015 | .210 ±.005 | 1 | 8.10 |
| 568-328U | 1-7/8 | 2-1/4 | 3/16 | 1.850 ±.015 | .210 ±.005 | 1 | 8.73 |
| 568-329U | 2 | 2-3/8 | 3/16 | 1.975 ±.018 | .210 ±.005 | 1 | 15.71 |
| 568-330U | 2-1/8 | 2-1/2 | 3/16 | 2.100 ±.018 | .210 ±.005 | 1 | 10.16 |
| 568-331U | 2-1/4 | 2-5/8 | 3/16 | 2.225 ±.018 | .210 ±.005 | 1 | 11.63 |
| 568-332U | 2-3/8 | 2-3/4 | 3/16 | 2.350 ±.018 | .210 ±.005 | 1 | 11.63 |
| 568-335U | 2-3/4 | 3-1/8 | 3/16 | 2.725 ±.020 | .210 ±.005 | 1 | 19.11 |
| 568-336U | 2-7/8 | 3-1/4 | 3/16 | 2.850 ±.020 | .210 ±.005 | 1 | 22.25 |
| 568-337U | 3 | 3-3/8 | 3/16 | 2.975 ±.024 | .210 ±.005 | 1 | 22.67 |
| 568-348U | 4-3/8 | 4-3/4 | 3/16 | 4.350 ±.030 | .210 ±.005 | 1 | 22.35 |

* Closeout item - Price Shown as Net. This item will no longer be available once stock has been depleted.

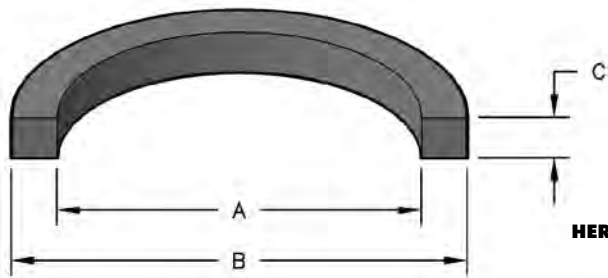
Seal color may vary. Special order sizes are available. Sizes not shown and out of stock items can also be ordered for next day delivery through Seals On Demand, our custom seal program. Please call your regional sales team for assistance.

NORTH AMERICA
PHONE 1-800-777-5617
FAX 1-800-759-6391

SALES OFFICE HOURS
8 A.M. TO 7:30 P.M. EASTERN TIME
www.HerculesUS.com

WORLDWIDE
PHONE 1-727-796-1300
FAX 1-727-797-8849

STYLE 580, SQUARE BUNA-N O-RINGS


HERCULES PART NUMBERS

580 - 008
 Prefix Dash Number

SEAL INFORMATION

| | |
|-------------------|---|
| MATERIAL | BUNA-N RUBBER |
| TEMPERATURE RANGE | -40° TO +240° F |
| PRESSURE RANGE | VARIABLE ACCORDING TO DIAMETRAL CLEARANCE |
| SPEED | 3 FT/SEC |

O-RINGS

| Part Number | A Nom. ID | B Nom. OD | INSIDE DIAMETER | C HEIGHT | CROSS SECTION | Package Quantity | List Price |
|------------------|--------------|--------------|--------------------|-------------|------------------|---------------------|---------------|
| 1/16" C/S | | | | | | | |
| 580-008 | 3/16 | 5/16 | .176 ±.005 | .066 ±.005 | .066 ±.005 | 10 | \$0.80 |
| 580-012 | 3/8 | 1/2 | .364 ±.005 | .066 ±.005 | .066 ±.005 | 50 | 0.23 |
| 580-014 | 1/2 | 5/8 | .489 ±.005 | .066 ±.005 | .066 ±.005 | 38 | 0.22 |
| 580-015 | 9/16 | 11/16 | .551 ±.007 | .066 ±.005 | .066 ±.005 | 50 | 0.22 |
| 580-016 | 5/8 | 3/4 | .614 ±.009 | .066 ±.005 | .066 ±.005 | 38 | 0.22 |
| 580-017 | 11/16 | 13/16 | .676 ±.009 | .066 ±.005 | .066 ±.005 | 30 | 0.25 |
| 580-019 | 13/16 | 15/16 | .801 ±.009 | .066 ±.005 | .066 ±.005 | 30 | 0.26 |
| 580-021 | 15/16 | 1-1/16 | .926 ±.009 | .066 ±.005 | .066 ±.005 | 25 | 0.28 |
| 580-022 | 1 | 1-1/8 | .989 ±.010 | .066 ±.005 | .066 ±.005 | 29 | 0.28 |
| 580-025 | 1-3/16 | 1-5/16 | 1.176 ±.011 | .066 ±.005 | .066 ±.005 | 25 | 0.32 |
| 580-026 | 1-1/4 | 1-3/8 | 1.239 ±.011 | .066 ±.005 | .066 ±.005 | 24 | 0.32 |
| 580-028 | 1-3/8 | 1-1/2 | 1.364 ±.013 | .066 ±.005 | .066 ±.005 | 25 | 0.32 |
| 580-029 | 1-1/2 | 1-5/8 | 1.489 ±.013 | .066 ±.005 | .066 ±.005 | 25 | 0.32 |
| 580-032 | 1-7/8 | 2 | 1.864 ±.015 | .066 ±.005 | .066 ±.005 | 15 | 0.60 |
| 580-033 | 2 | 2-1/8 | 1.989 ±.018 | .066 ±.005 | .066 ±.005 | 15 | 0.60 |
| 580-034 | 2-1/8 | 2-1/4 | 2.114 ±.018 | .066 ±.005 | .066 ±.005 | 15 | 0.60 |
| 580-035 | 2-1/4 | 2-3/8 | 2.239 ±.018 | .066 ±.005 | .066 ±.005 | 15 | 0.68 |
| 580-036 | 2-3/8 | 2-1/2 | 2.364 ±.018 | .066 ±.005 | .066 ±.005 | 13 | 0.68 |
| 580-037 | 2-1/2 | 2-5/8 | 2.489 ±.018 | .066 ±.005 | .066 ±.005 | 13 | 0.68 |
| 580-038 | 2-5/8 | 2-3/4 | 2.614 ±.020 | .066 ±.005 | .066 ±.005 | 13 | 0.68 |
| 580-039 | 2-3/4 | 2-7/8 | 2.739 ±.020 | .066 ±.005 | .066 ±.005 | 12 | 0.71 |
| 580-040 | 2-7/8 | 3 | 2.864 ±.020 | .066 ±.005 | .066 ±.005 | 12 | 0.77 |
| 580-041 | 3 | 3-1/8 | 2.989 ±.024 | .066 ±.005 | .066 ±.005 | 9 | 0.92 |
| 580-042 | 3-1/4 | 3-3/8 | 3.239 ±.024 | .066 ±.005 | .066 ±.005 | 9 | 0.92 |
| 580-043 | 3-1/2 | 3-5/8 | 3.489 ±.024 | .066 ±.005 | .066 ±.005 | 9 | 0.97 |
| 580-044 | 3-3/4 | 3-7/8 | 3.739 ±.027 | .066 ±.005 | .066 ±.005 | 9 | 0.97 |
| 580-045 | 4 | 4-1/8 | 3.989 ±.027 | .066 ±.005 | .066 ±.005 | 8 | 1.09 |
| 580-046 | 4-1/4 | 4-3/8 | 4.239 ±.030 | .066 ±.005 | .066 ±.005 | 7 | 1.21 |
| 580-047 | 4-1/2 | 4-5/8 | 4.489 ±.030 | .066 ±.005 | .066 ±.005 | 7 | 1.29 |
| 3/32" C/S | | | | | | | |
| 580-110 | 3/8 | 9/16 | .362 ±.005 | .099 ±.005 | .099 ±.005 | 23 | \$0.32 |
| 580-113 | 9/16 | 3/4 | .549 ±.005 | .099 ±.005 | .099 ±.005 | 13 | 0.63 |
| 580-115 | 11/16 | 7/8 | .674 ±.009 | .099 ±.005 | .099 ±.005 | 14 | 0.63 |
| 580-116 | 3/4 | 15/16 | .737 ±.009 | .099 ±.005 | .099 ±.005 | 35 | 0.48 |
| 580-117 | 13/16 | 1 | .799 ±.010 | .099 ±.005 | .099 ±.005 | 30 | 0.27 |
| 580-118 | 7/8 | 1-1/16 | .862 ±.010 | .099 ±.005 | .099 ±.005 | 30 | 0.26 |
| 580-119 | 15/16 | 1-1/8 | .924 ±.010 | .099 ±.005 | .099 ±.005 | 13 | 0.28 |
| 580-120 | 1 | 1-3/16 | .987 ±.010 | .099 ±.005 | .099 ±.005 | 27 | 0.29 |
| 580-121 | 1-1/16 | 1-1/4 | 1.049 ±.010 | .099 ±.005 | .099 ±.005 | 25 | 0.29 |
| 580-122 | 1-1/8 | 1-5/16 | 1.112 ±.010 | .099 ±.005 | .099 ±.005 | 25 | 0.60 |

FORMERLY LISTED SEALS ARE AVAILABLE ONLINE AT WWW.HERCULESUS.COM
 OR BY CONTACTING YOUR REGIONAL HERCULES SALES TEAM.



STYLE 580, SQUARE BUNA-N O-RINGS

O-RINGS

| Part Number | A Nom. ID | B Nom. OD | INSIDE DIAMETER | C HEIGHT | CROSS SECTION | Package Quantity | List Price |
|-----------------|-----------|-----------|-----------------|------------|---------------|------------------|------------|
| 580-123 | 1-3/16 | 1-3/8 | 1.174 ±.012 | .099 ±.005 | .099 ±.005 | 12 | 0.71 |
| 580-124 | 1-1/4 | 1-7/16 | 1.237 ±.012 | .099 ±.005 | .099 ±.005 | 12 | 0.77 |
| 580-125 | 1-5/16 | 1-1/2 | 1.299 ±.012 | .099 ±.005 | .099 ±.005 | 12 | 0.77 |
| 580-125-90D | 1-5/16 | 1-1/2 | 1.299 ±.012 | .099 ±.005 | .099 ±.005 | 5 | 2.06 |
| 580-126 | 1-3/8 | 1-9/16 | 1.362 ±.012 | .099 ±.005 | .099 ±.005 | 27 | 0.77 |
| 580-127 | 1-7/16 | 1-5/8 | 1.424 ±.012 | .099 ±.005 | .099 ±.005 | 12 | 0.77 |
| 580-128 | 1-1/2 | 1-11/16 | 1.487 ±.012 | .099 ±.005 | .099 ±.005 | 12 | 0.77 |
| 580-129 | 1-9/16 | 1-3/4 | 1.549 ±.015 | .099 ±.005 | .099 ±.005 | 12 | 0.77 |
| 580-130 | 1-5/8 | 1-13/16 | 1.612 ±.015 | .099 ±.005 | .099 ±.005 | 12 | 0.77 |
| 580-131 | 1-11/16 | 1-7/8 | 1.674 ±.015 | .099 ±.005 | .099 ±.005 | 12 | 0.77 |
| 580-132 | 1-3/4 | 1-15/16 | 1.737 ±.015 | .099 ±.005 | .099 ±.005 | 11 | 0.81 |
| 580-133 | 1-13/16 | 2 | 1.799 ±.015 | .099 ±.005 | .099 ±.005 | 11 | 0.81 |
| 580-134 | 1-7/8 | 2-1/16 | 1.862 ±.015 | .099 ±.005 | .099 ±.005 | 11 | 0.81 |
| 580-135 | 1-15/16 | 2-1/8 | 1.925 ±.017 | .099 ±.005 | .099 ±.005 | 11 | 0.81 |
| 580-136 | 2 | 2-3/16 | 1.987 ±.017 | .099 ±.005 | .099 ±.005 | 11 | 0.81 |
| 580-137 | 2-1/16 | 2-1/4 | 2.050 ±.017 | .099 ±.005 | .099 ±.005 | 11 | 0.81 |
| 580-138 | 2-1/8 | 2-5/16 | 2.112 ±.017 | .099 ±.005 | .099 ±.005 | 11 | 0.81 |
| 580-139 | 2-3/16 | 2-3/8 | 2.175 ±.017 | .099 ±.005 | .099 ±.005 | 11 | 0.81 |
| 580-140 | 2-1/4 | 2-7/16 | 2.237 ±.017 | .099 ±.005 | .099 ±.005 | 11 | 0.81 |
| 580-141 | 2-5/16 | 2-1/2 | 2.300 ±.020 | .099 ±.005 | .099 ±.005 | 11 | 0.81 |
| 580-142 | 2-3/8 | 2-9/16 | 2.362 ±.020 | .099 ±.005 | .099 ±.005 | 11 | 0.81 |
| 580-143 | 2-7/16 | 2-5/8 | 2.425 ±.020 | .099 ±.005 | .099 ±.005 | 11 | 0.81 |
| 580-144 | 2-1/2 | 2-11/16 | 2.487 ±.020 | .099 ±.005 | .099 ±.005 | 11 | 0.81 |
| 580-145 | 2-9/16 | 2-3/4 | 2.550 ±.020 | .099 ±.005 | .099 ±.005 | 11 | 0.81 |
| 580-146 | 2-5/8 | 2-13/16 | 2.612 ±.020 | .099 ±.005 | .099 ±.005 | 11 | 0.81 |
| 580-147 | 2-11/16 | 2-7/8 | 2.675 ±.022 | .099 ±.005 | .099 ±.005 | 10 | 0.85 |
| 580-148 | 2-3/4 | 2-15/16 | 2.737 ±.022 | .099 ±.005 | .099 ±.005 | 10 | 0.85 |
| 580-149 | 2-13/16 | 3 | 2.800 ±.022 | .099 ±.005 | .099 ±.005 | 10 | 0.85 |
| 580-150 | 2-7/8 | 3-1/16 | 2.862 ±.022 | .099 ±.005 | .099 ±.005 | 10 | 0.85 |
| 580-151 | 3 | 3-3/16 | 2.987 ±.024 | .099 ±.005 | .099 ±.005 | 10 | 0.87 |
| 580-152 | 3-1/4 | 3-7/16 | 3.237 ±.024 | .099 ±.005 | .099 ±.005 | 10 | 0.87 |
| 580-153 | 3-1/2 | 3-11/16 | 3.487 ±.024 | .099 ±.005 | .099 ±.005 | 9 | 0.92 |
| 580-154 | 3-3/4 | 3-15/16 | 3.737 ±.028 | .099 ±.005 | .099 ±.005 | 9 | 0.97 |
| 580-155 | 4 | 4-3/16 | 3.987 ±.028 | .099 ±.005 | .099 ±.005 | 7 | 1.21 |
| 580-156 | 4-1/4 | 4-7/16 | 4.237 ±.030 | .099 ±.005 | .099 ±.005 | 6 | 1.46 |
| 580-157 | 4-1/2 | 4-11/16 | 4.487 ±.030 | .099 ±.005 | .099 ±.005 | 5 | 1.79 |
| 580-158 | 4-3/4 | 4-15/16 | 4.737 ±.030 | .099 ±.005 | .099 ±.005 | 5 | 1.94 |
| 580-159 | 5 | 5-3/16 | 4.987 ±.035 | .099 ±.005 | .099 ±.005 | 4 | 2.12 |
| 580-160 | 5-1/4 | 5-7/16 | 5.237 ±.035 | .099 ±.005 | .099 ±.005 | 4 | 2.26 |
| 580-161 | 5-1/2 | 5-11/16 | 5.487 ±.035 | .099 ±.005 | .099 ±.005 | 4 | 2.53 |
| 580-163 | 6 | 6-3/16 | 5.987 ±.035 | .099 ±.005 | .099 ±.005 | 3 | 2.86 |
| 580-164 | 6-1/4 | 6-7/16 | 6.237 ±.040 | .099 ±.005 | .099 ±.005 | 3 | 2.95 |
| 580-170 | 7-3/4 | 7-15/16 | 7.737 ±.045 | .099 ±.005 | .099 ±.005 | 3 | 3.37 |
| 1/8" C/S | | | | | | | |
| 580-206 | 1/2 | 3/4 | .484 ±.005 | .134 ±.005 | .134 ±.005 | 15 | \$0.42 |
| 580-209 | 11/16 | 15/16 | .671 ±.009 | .134 ±.005 | .134 ±.005 | 15 | 0.42 |
| 580-210 | 3/4 | 1 | .734 ±.010 | .134 ±.005 | .134 ±.005 | 15 | 0.42 |
| 580-211 | 13/16 | 1-1/16 | .796 ±.010 | .134 ±.005 | .134 ±.005 | 15 | 0.45 |
| 580-213 | 15/16 | 1-3/16 | .921 ±.010 | .134 ±.005 | .134 ±.005 | 15 | 0.45 |
| 580-214 | 1 | 1-1/4 | .984 ±.010 | .134 ±.005 | .134 ±.005 | 15 | 0.45 |
| 580-215 | 1-1/16 | 1-5/16 | 1.046 ±.010 | .134 ±.005 | .134 ±.005 | 15 | 0.45 |
| 580-216 | 1-1/8 | 1-3/8 | 1.109 ±.012 | .134 ±.005 | .134 ±.005 | 15 | 0.45 |
| 580-217 | 1-3/16 | 1-7/16 | 1.171 ±.012 | .134 ±.005 | .134 ±.005 | 15 | 0.56 |
| 580-218 | 1-1/4 | 1-1/2 | 1.234 ±.012 | .134 ±.005 | .134 ±.005 | 15 | 0.54 |
| 580-220 | 1-3/8 | 1-5/8 | 1.359 ±.012 | .134 ±.005 | .134 ±.005 | 15 | 0.54 |
| 580-221 | 1-7/16 | 1-11/16 | 1.421 ±.012 | .134 ±.005 | .134 ±.005 | 15 | 0.58 |
| 580-222 | 1-1/2 | 1-3/4 | 1.484 ±.015 | .134 ±.005 | .134 ±.005 | 15 | 0.58 |

NORTH AMERICA
PHONE 1-800-777-5617
FAX 1-800-759-6391

SALES OFFICE HOURS
8 A.M. TO 7:30 P.M. EASTERN TIME
www.HerculesUS.com

WORLDWIDE
PHONE 1-727-796-1300
FAX 1-727-797-8849



STYLE 580, SQUARE BUNA-N O-RINGS

| Part Number | A Nom. ID | B Nom. OD | INSIDE DIAMETER | C HEIGHT | CROSS SECTION | Package Quantity | List Price |
|------------------|-----------|-----------|-----------------|------------|---------------|------------------|------------|
| 580-223 | 1-5/8 | 1-7/8 | 1.609 ±.015 | .134 ±.005 | .134 ±.005 | 15 | 0.58 |
| 580-224 | 1-3/4 | 2 | 1.734 ±.015 | .134 ±.005 | .134 ±.005 | 15 | 0.58 |
| 580-225 | 1-7/8 | 2-1/8 | 1.859 ±.018 | .134 ±.005 | .134 ±.005 | 15 | 0.58 |
| 580-226 | 2 | 2-1/4 | 1.984 ±.018 | .134 ±.005 | .134 ±.005 | 15 | 0.60 |
| 580-227 | 2-1/8 | 2-3/8 | 2.109 ±.018 | .134 ±.005 | .134 ±.005 | 15 | 0.60 |
| 580-229 | 2-3/8 | 2-5/8 | 2.359 ±.020 | .134 ±.005 | .134 ±.005 | 15 | 0.60 |
| 580-230 | 2-1/2 | 2-3/4 | 2.484 ±.020 | .134 ±.005 | .134 ±.005 | 15 | 0.60 |
| 580-231 | 2-5/8 | 2-7/8 | 2.609 ±.020 | .134 ±.005 | .134 ±.005 | 15 | 0.60 |
| 580-232 | 2-3/4 | 3 | 2.734 ±.024 | .134 ±.005 | .134 ±.005 | 15 | 0.60 |
| 580-233 | 2-7/8 | 3-1/8 | 2.859 ±.024 | .134 ±.005 | .134 ±.005 | 15 | 0.60 |
| 580-234 | 3 | 3-1/4 | 2.984 ±.024 | .134 ±.005 | .134 ±.005 | 14 | 0.63 |
| 580-235 | 3-1/8 | 3-3/8 | 3.109 ±.024 | .134 ±.005 | .134 ±.005 | 13 | 0.68 |
| 580-236 | 3-1/4 | 3-1/2 | 3.234 ±.024 | .134 ±.005 | .134 ±.005 | 12 | 0.71 |
| 580-237 | 3-3/8 | 3-5/8 | 3.359 ±.024 | .134 ±.005 | .134 ±.005 | 12 | 0.77 |
| 580-238 | 3-1/2 | 3-3/4 | 3.484 ±.024 | .134 ±.005 | .134 ±.005 | 12 | 0.77 |
| 580-239 | 3-5/8 | 3-7/8 | 3.609 ±.028 | .134 ±.005 | .134 ±.005 | 10 | 0.85 |
| 580-240 | 3-3/4 | 4 | 3.734 ±.028 | .134 ±.005 | .134 ±.005 | 10 | 0.87 |
| 580-241 | 3-7/8 | 4-1/8 | 3.859 ±.028 | .134 ±.005 | .134 ±.005 | 10 | 0.87 |
| 580-242 | 4 | 4-1/4 | 3.984 ±.028 | .134 ±.005 | .134 ±.005 | 10 | 0.87 |
| 580-243 | 4-1/8 | 4-3/8 | 4.109 ±.028 | .134 ±.005 | .134 ±.005 | 9 | 0.92 |
| 580-244 | 4-1/4 | 4-1/2 | 4.234 ±.030 | .134 ±.005 | .134 ±.005 | 9 | 0.92 |
| 580-245 | 4-3/8 | 4-5/8 | 4.359 ±.030 | .134 ±.005 | .134 ±.005 | 8 | 1.09 |
| 580-246 | 4-1/2 | 4-3/4 | 4.484 ±.030 | .134 ±.005 | .134 ±.005 | 7 | 1.29 |
| 580-247 | 4-5/8 | 4-7/8 | 4.609 ±.030 | .134 ±.005 | .134 ±.005 | 6 | 1.64 |
| 580-248 | 4-3/4 | 5 | 4.734 ±.030 | .134 ±.005 | .134 ±.005 | 5 | 1.66 |
| 580-249 | 4-7/8 | 5-1/8 | 4.859 ±.035 | .134 ±.005 | .134 ±.005 | 5 | 1.74 |
| 580-250 | 5 | 5-1/4 | 4.984 ±.035 | .134 ±.005 | .134 ±.005 | 5 | 1.85 |
| 580-251 | 5-1/8 | 5-3/8 | 5.109 ±.035 | .134 ±.005 | .134 ±.005 | 5 | 1.88 |
| 580-252 | 5-1/4 | 5-1/2 | 5.234 ±.035 | .134 ±.005 | .134 ±.005 | 5 | 2.05 |
| 580-253 | 5-3/8 | 5-5/8 | 5.359 ±.035 | .134 ±.005 | .134 ±.005 | 4 | 2.08 |
| 580-254 | 5-1/2 | 5-3/4 | 5.484 ±.035 | .134 ±.005 | .134 ±.005 | 4 | 2.12 |
| 580-255 | 5-5/8 | 5-7/8 | 5.609 ±.035 | .134 ±.005 | .134 ±.005 | 4 | 2.17 |
| 580-256 | 5-3/4 | 6 | 5.734 ±.035 | .134 ±.005 | .134 ±.005 | 4 | 2.30 |
| 580-257 | 5-7/8 | 6-1/8 | 5.859 ±.035 | .134 ±.005 | .134 ±.005 | 4 | 2.37 |
| 580-258 | 6 | 6-1/4 | 5.984 ±.035 | .134 ±.005 | .134 ±.005 | 4 | 2.53 |
| 580-259 | 6-1/4 | 6-1/2 | 6.234 ±.040 | .134 ±.005 | .134 ±.005 | 4 | 2.73 |
| 580-260 | 6-1/2 | 6-3/4 | 6.484 ±.040 | .134 ±.005 | .134 ±.005 | 3 | 2.83 |
| 580-261 | 6-3/4 | 7 | 6.734 ±.040 | .134 ±.005 | .134 ±.005 | 3 | 2.83 |
| 580-262 | 7 | 7-1/4 | 6.984 ±.040 | .134 ±.005 | .134 ±.005 | 3 | 2.86 |
| 580-263 | 7-1/4 | 7-1/2 | 7.234 ±.045 | .134 ±.005 | .134 ±.005 | 3 | 3.02 |
| 580-264 | 7-1/2 | 7-3/4 | 7.484 ±.045 | .134 ±.005 | .134 ±.005 | 3 | 3.06 |
| 580-265 | 7-3/4 | 8 | 7.734 ±.045 | .134 ±.005 | .134 ±.005 | 3 | 3.16 |
| 580-266 | 8 | 8-1/4 | 7.984 ±.045 | .134 ±.005 | .134 ±.005 | 3 | 3.36 |
| 580-267 | 8-1/4 | 8-1/2 | 8.234 ±.050 | .134 ±.005 | .134 ±.005 | 3 | 3.53 |
| 580-268 | 8-1/2 | 8-3/4 | 8.484 ±.050 | .134 ±.005 | .134 ±.005 | 3 | 3.53 |
| 580-269 | 8-3/4 | 9 | 8.734 ±.050 | .134 ±.005 | .134 ±.005 | 3 | 7.77 |
| 580-271 | 9-1/4 | 9-1/2 | 9.234 ±.055 | .134 ±.005 | .134 ±.005 | 3 | 16.60 |
| 580-273 | 9-3/4 | 10 | 9.734 ±.055 | .134 ±.005 | .134 ±.005 | 3 | 24.26 |
| 580-274 | 10 | 10-1/4 | 9.984 ±.055 | .134 ±.005 | .134 ±.005 | 3 | 8.31 |
| 580-278 | 12 | 12-1/4 | 11.984 ±.065 | .134 ±.005 | .134 ±.005 | 1 | 27.97 |
| 3/16" C/S | | | | | | | |
| 580-320 | 1-1/8 | 1-1/2 | 1.100 ±.012 | .203 ±.006 | .203 ±.006 | 5 | \$0.84 |
| 580-322 | 1-1/4 | 1-5/8 | 1.225 ±.012 | .203 ±.006 | .203 ±.006 | 5 | 0.83 |
| 580-324 | 1-3/8 | 1-3/4 | 1.350 ±.012 | .203 ±.006 | .203 ±.006 | 8 | 0.98 |
| 580-325 | 1-1/2 | 1-7/8 | 1.475 ±.015 | .203 ±.006 | .203 ±.006 | 15 | 0.98 |
| 580-326 | 1-5/8 | 2 | 1.600 ±.015 | .203 ±.006 | .203 ±.006 | 15 | 0.98 |
| 580-327 | 1-3/4 | 2-1/8 | 1.725 ±.015 | .203 ±.006 | .203 ±.006 | 35 | 0.50 |

O-RINGS

FORMERLY LISTED SEALS ARE AVAILABLE ONLINE AT WWW.HERCULESUS.COM
OR BY CONTACTING YOUR REGIONAL HERCULES SALES TEAM.



STYLE 580, SQUARE BUNA-N O-RINGS

O-RINGS

| Part Number | A Nom. ID | B Nom. OD | INSIDE DIAMETER | C HEIGHT | CROSS SECTION | Package Quantity | List Price |
|-----------------|-----------|-----------|-----------------|------------|---------------|------------------|------------|
| 580-328 | 1-7/8 | 2-1/4 | 1.850 ±.015 | .203 ±.006 | .203 ±.006 | 15 | 0.98 |
| 580-329 | 2 | 2-3/8 | 1.975 ±.018 | .203 ±.006 | .203 ±.006 | 13 | 0.98 |
| 580-330 | 2-1/8 | 2-1/2 | 2.100 ±.018 | .203 ±.006 | .203 ±.006 | 13 | 1.12 |
| 580-331 | 2-1/4 | 2-5/8 | 2.225 ±.018 | .203 ±.006 | .203 ±.006 | 13 | 1.12 |
| 580-332 | 2-3/8 | 2-3/4 | 2.350 ±.018 | .203 ±.006 | .203 ±.006 | 13 | 1.12 |
| 580-333 | 2-1/2 | 2-7/8 | 2.475 ±.020 | .203 ±.006 | .203 ±.006 | 13 | 1.12 |
| 580-334 | 2-5/8 | 3 | 2.600 ±.020 | .203 ±.006 | .203 ±.006 | 13 | 1.29 |
| 580-335 | 2-3/4 | 3-1/8 | 2.725 ±.020 | .203 ±.006 | .203 ±.006 | 12 | 1.29 |
| 580-336 | 2-7/8 | 3-1/4 | 2.850 ±.020 | .203 ±.006 | .203 ±.006 | 11 | 1.29 |
| 580-337 | 3 | 3-3/8 | 2.975 ±.024 | .203 ±.006 | .203 ±.006 | 10 | 1.29 |
| 580-338 | 3-1/8 | 3-1/2 | 3.100 ±.024 | .203 ±.006 | .203 ±.006 | 10 | 1.39 |
| 580-339 | 3-1/4 | 3-5/8 | 3.225 ±.024 | .203 ±.006 | .203 ±.006 | 10 | 1.39 |
| 580-340 | 3-3/8 | 3-3/4 | 3.350 ±.024 | .203 ±.006 | .203 ±.006 | 10 | 1.39 |
| 580-341 | 3-1/2 | 3-7/8 | 3.475 ±.024 | .203 ±.006 | .203 ±.006 | 9 | 1.39 |
| 580-342 | 3-5/8 | 4 | 3.600 ±.028 | .203 ±.006 | .203 ±.006 | 9 | 1.48 |
| 580-343 | 3-3/4 | 4-1/8 | 3.725 ±.028 | .203 ±.006 | .203 ±.006 | 8 | 1.48 |
| 580-344 | 3-7/8 | 4-1/4 | 3.850 ±.028 | .203 ±.006 | .203 ±.006 | 7 | 1.48 |
| 580-345 | 4 | 4-3/8 | 3.975 ±.028 | .203 ±.006 | .203 ±.006 | 7 | 1.48 |
| 580-346 | 4-1/8 | 4-1/2 | 4.100 ±.028 | .203 ±.006 | .203 ±.006 | 7 | 1.64 |
| 580-347 | 4-1/4 | 4-5/8 | 4.225 ±.030 | .203 ±.006 | .203 ±.006 | 7 | 1.74 |
| 580-348 | 4-3/8 | 4-3/4 | 4.350 ±.030 | .203 ±.006 | .203 ±.006 | 7 | 1.74 |
| 580-349 | 4-1/2 | 4-7/8 | 4.475 ±.030 | .203 ±.006 | .203 ±.006 | 6 | 1.74 |
| 580-350 | 4-5/8 | 5 | 4.600 ±.030 | .203 ±.006 | .203 ±.006 | 6 | 1.94 |
| 580-351 | 4-3/4 | 5-1/8 | 4.725 ±.030 | .203 ±.006 | .203 ±.006 | 6 | 1.94 |
| 580-352 | 4-7/8 | 5-1/4 | 4.850 ±.030 | .203 ±.006 | .203 ±.006 | 6 | 1.94 |
| 580-353 | 5 | 5-3/8 | 4.975 ±.037 | .203 ±.006 | .203 ±.006 | 5 | 2.32 |
| 580-354 | 5-1/8 | 5-1/2 | 5.100 ±.037 | .203 ±.006 | .203 ±.006 | 4 | 2.32 |
| 580-355 | 5-1/4 | 5-5/8 | 5.225 ±.037 | .203 ±.006 | .203 ±.006 | 4 | 2.32 |
| 580-356 | 5-3/8 | 5-3/4 | 5.350 ±.037 | .203 ±.006 | .203 ±.006 | 4 | 2.32 |
| 580-357 | 5-1/2 | 5-7/8 | 5.475 ±.037 | .203 ±.006 | .203 ±.006 | 4 | 2.32 |
| 580-358 | 5-5/8 | 6 | 5.600 ±.037 | .203 ±.006 | .203 ±.006 | 4 | 2.32 |
| 580-366 | 7-1/4 | 7-5/8 | 7.225 ±.045 | .203 ±.006 | .203 ±.006 | 4 | 5.85 |
| 1/4" C/S | | | | | | | |
| 580-414 | 3-1/8 | 3-5/8 | 3.100 ±.024 | .266 ±.007 | .266 ±.007 | 2 | \$5.22 |
| 580-423 | 4-1/4 | 4-3/4 | 4.225 ±.030 | .266 ±.007 | .266 ±.007 | 2 | 4.92 |
| 580-425 | 4-1/2 | 5 | 4.475 ±.033 | .266 ±.007 | .266 ±.007 | 3 | 2.78 |
| 580-426 | 4-5/8 | 5-1/8 | 4.600 ±.033 | .266 ±.007 | .266 ±.007 | 3 | 2.78 |
| 580-427 | 4-3/4 | 5-1/4 | 4.725 ±.033 | .266 ±.007 | .266 ±.007 | 3 | 2.78 |
| 580-428 | 4-7/8 | 5-3/8 | 4.850 ±.033 | .266 ±.007 | .266 ±.007 | 3 | 2.78 |
| 580-429 | 5 | 5-1/2 | 4.975 ±.037 | .266 ±.007 | .266 ±.007 | 3 | 2.78 |
| 580-430 | 5-1/8 | 5-5/8 | 5.100 ±.037 | .266 ±.007 | .266 ±.007 | 3 | 2.78 |
| 580-431 | 5-1/4 | 5-3/4 | 5.225 ±.037 | .266 ±.007 | .266 ±.007 | 3 | 2.78 |
| 580-433 | 5-1/2 | 6 | 5.475 ±.037 | .266 ±.007 | .266 ±.007 | 3 | 2.83 |
| 580-434 | 5-5/8 | 6-1/8 | 5.600 ±.037 | .266 ±.007 | .266 ±.007 | 3 | 2.83 |
| 580-435 | 5-3/4 | 6-1/4 | 5.725 ±.037 | .266 ±.007 | .266 ±.007 | 3 | 3.02 |
| 580-436 | 5-7/8 | 6-3/8 | 5.850 ±.037 | .266 ±.007 | .266 ±.007 | 3 | 3.70 |
| 580-437 | 6 | 6-1/2 | 5.975 ±.037 | .266 ±.007 | .266 ±.007 | 3 | 3.41 |
| 580-438 | 6-1/4 | 6-3/4 | 6.225 ±.040 | .266 ±.007 | .266 ±.007 | 3 | 3.54 |
| 580-439 | 6-1/2 | 7 | 6.475 ±.040 | .266 ±.007 | .266 ±.007 | 3 | 3.76 |
| 580-440 | 6-3/4 | 7-1/4 | 6.725 ±.040 | .266 ±.007 | .266 ±.007 | 3 | 4.01 |
| 580-441 | 7 | 7-1/2 | 6.975 ±.040 | .266 ±.007 | .266 ±.007 | 2 | 4.26 |
| 580-442 | 7-1/4 | 7-3/4 | 7.225 ±.045 | .266 ±.007 | .266 ±.007 | 2 | 4.36 |
| 580-443 | 7-1/2 | 8 | 7.475 ±.045 | .266 ±.007 | .266 ±.007 | 2 | 4.48 |
| 580-444 | 7-3/4 | 8-1/4 | 7.725 ±.045 | .266 ±.007 | .266 ±.007 | 2 | 4.57 |
| 580-445 | 8 | 8-1/2 | 7.975 ±.045 | .266 ±.007 | .266 ±.007 | 2 | 4.57 |
| 580-446 | 8-1/2 | 9 | 8.475 ±.055 | .266 ±.007 | .266 ±.007 | 2 | 4.96 |
| 580-447 | 9 | 9-1/2 | 8.975 ±.055 | .266 ±.007 | .266 ±.007 | 2 | 5.49 |

NORTH AMERICA
PHONE 1-800-777-5617
FAX 1-800-759-6391

SALES OFFICE HOURS
8 A.M. TO 7:30 P.M. EASTERN TIME
www.HerculesUS.com

WORLDWIDE
PHONE 1-727-796-1300
FAX 1-727-797-8849



STYLE 580, SQUARE BUNA-N O-RINGS

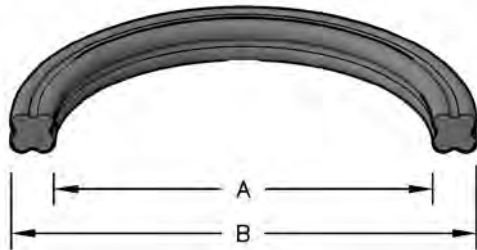
| Part Number | A Nom. ID | B Nom. OD | INSIDE DIAMETER | C HEIGHT | CROSS SECTION | Package Quantity | List Price |
|-------------|-----------|-----------|-----------------|------------|---------------|------------------|------------|
| 580-448 | 9-1/2 | 10 | 9.475 ±.055 | .266 ±.007 | .266 ±.007 | 2 | 6.50 |
| 580-449 | 10 | 10-1/2 | 9.975 ±.055 | .266 ±.007 | .266 ±.007 | 2 | 15.83 |
| 580-450 | 10-1/2 | 11 | 10.475 ±.060 | .266 ±.007 | .266 ±.007 | 1 | 28.62 |
| 580-451 | 11 | 11-1/2 | 10.975 ±.060 | .266 ±.007 | .266 ±.007 | 1 | 35.54 |



STYLE QR, BUNA-N QUAD® RINGS

Quad® Rings provide improved stability and lubricity over conventional o-rings, reducing the tendency to spiral in the groove. They interchange standard o-rings in a variety of static and dynamic sealing applications including rotary, reciprocating or oscillating motion.

NOTE: Last three digits of part number corresponds to standard o-ring dash numbers (568-218 = QR-4218)



HERCULES PART NUMBERS

QR - 4004
Prefix Dash Number

V = FLUOROCARBON

SEAL INFORMATION

| | |
|-------------------|---|
| MATERIAL | BUNA-N RUBBER |
| TEMPERATURE RANGE | -40° TO +240° F |
| PRESSURE RANGE | VARIABLE ACCORDING TO DIAMETRAL CLEARANCE |
| SPEED | 3 FT/SEC |

O-RINGS

| Part Number | A Nom. ID | B Nom. OD | C Nom. Ht | O-RING DASH NUMBER | INSIDE DIAMETER | CROSS SECTION | Package Quantity | List Price |
|-------------|--------------|--------------|--------------|-----------------------|--------------------|------------------|---------------------|---------------|
| 1/16" C/S | | | | | | | | |
| QR-4004 | 5/64 | 13/64 | 1/16 | -004 | .070 ±.005 | .070 ±.003 | 6 | \$1.29 |
| QR-4005 | 3/32 | 7/32 | 1/16 | -005 | .101 ±.005 | .070 ±.003 | 6 | 1.29 |
| QR-4006 | 1/8 | 1/4 | 1/16 | -006 | .114 ±.005 | .070 ±.003 | 6 | 1.29 |
| QR-4007 | 5/32 | 9/32 | 1/16 | -007 | .145 ±.005 | .070 ±.003 | 6 | 1.29 |
| QR-4008 | 3/16 | 5/16 | 1/16 | -008 | .176 ±.005 | .070 ±.003 | 6 | 1.29 |
| QR-4009 | 7/32 | 11/32 | 1/16 | -009 | .208 ±.005 | .070 ±.003 | 6 | 1.29 |
| QR-4010 | 1/4 | 3/8 | 1/16 | -010 | .239 ±.005 | .070 ±.003 | 6 | 1.29 |
| QR-4011 | 5/16 | 7/16 | 1/16 | -011 | .301 ±.005 | .070 ±.003 | 6 | 1.29 |
| QR-4012 | 3/8 | 1/2 | 1/16 | -012 | .364 ±.005 | .070 ±.003 | 6 | 1.29 |
| QR-4013 | 7/16 | 9/16 | 1/16 | -013 | .426 ±.005 | .070 ±.003 | 6 | 1.29 |
| QR-4014 | 1/2 | 5/8 | 1/16 | -014 | .489 ±.005 | .070 ±.003 | 6 | 1.29 |
| QR-4015 | 9/16 | 11/16 | 1/16 | -015 | .551 ±.007 | .070 ±.003 | 6 | 1.29 |
| QR-4016 | 5/8 | 3/4 | 1/16 | -016 | .614 ±.009 | .070 ±.003 | 5 | 1.64 |
| QR-4017 | 11/16 | 13/16 | 1/16 | -017 | .676 ±.009 | .070 ±.003 | 5 | 1.64 |
| QR-4018 | 3/4 | 7/8 | 1/16 | -018 | .739 ±.009 | .070 ±.003 | 5 | 1.64 |
| QR-4019 | 13/16 | 15/16 | 1/16 | -019 | .801 ±.009 | .070 ±.003 | 5 | 1.64 |
| QR-4020 | 7/8 | 1 | 1/16 | -020 | .864 ±.009 | .070 ±.003 | 5 | 1.64 |
| QR-4021 | 15/16 | 1-1/16 | 1/16 | -021 | .926 ±.009 | .070 ±.003 | 5 | 1.64 |
| QR-4022 | 1 | 1-1/8 | 1/16 | -022 | .989 ±.010 | .070 ±.003 | 4 | 2.00 |
| QR-4023 | 1-1/16 | 1-3/16 | 1/16 | -023 | 1.051 ±.010 | .070 ±.003 | 4 | 2.00 |
| QR-4024 | 1-1/8 | 1-1/4 | 1/16 | -024 | 1.114 ±.010 | .070 ±.003 | 4 | 2.00 |
| QR-4025 | 1-3/16 | 1-5/16 | 1/16 | -025 | 1.176 ±.011 | .070 ±.003 | 3 | 2.30 |
| QR-4026 | 1-1/4 | 1-3/8 | 1/16 | -026 | 1.239 ±.011 | .070 ±.003 | 3 | 2.30 |
| QR-4027 | 1-5/16 | 1-7/16 | 1/16 | -027 | 1.301 ±.011 | .070 ±.003 | 3 | 2.40 |
| QR-4028 | 1-3/8 | 1-1/2 | 1/16 | -028 | 1.364 ±.013 | .070 ±.003 | 3 | 2.48 |
| QR-4029 | 1-1/2 | 1-5/8 | 1/16 | -029 | 1.489 ±.013 | .070 ±.003 | 3 | 2.48 |
| QR-4030 | 1-5/8 | 1-3/4 | 1/16 | -030 | 1.614 ±.013 | .070 ±.003 | 3 | 2.78 |
| QR-4031 | 1-3/4 | 1-7/8 | 1/16 | -031 | 1.739 ±.015 | .070 ±.003 | 3 | 2.69 |
| QR-4032 | 1-7/8 | 2 | 1/16 | -032 | 1.864 ±.015 | .070 ±.003 | 2 | 2.89 |
| QR-4033 | 2 | 2-1/8 | 1/16 | -033 | 1.989 ±.018 | .070 ±.003 | 3 | 2.14 |
| QR-4034 | 2-1/8 | 2-1/4 | 1/16 | -034 | 2.114 ±.018 | .070 ±.003 | 3 | 2.21 |
| QR-4035 | 2-1/4 | 2-3/8 | 1/16 | -035 | 2.239 ±.018 | .070 ±.003 | 3 | 2.28 |
| QR-4036 | 2-3/8 | 2-1/2 | 1/16 | -036 | 2.364 ±.018 | .070 ±.003 | 3 | 3.93 |
| QR-4037 | 2-1/2 | 2-5/8 | 1/16 | -037 | 2.489 ±.018 | .070 ±.003 | 2 | 2.87 |
| QR-4038 | 2-5/8 | 2-3/4 | 1/16 | -038 | 2.614 ±.020 | .070 ±.003 | 2 | 3.61 |
| QR-4039 | 2-3/4 | 2-7/8 | 1/16 | -039 | 2.739 ±.020 | .070 ±.003 | 2 | 3.24 |

NORTH AMERICA
PHONE 1-800-777-5617
FAX 1-800-759-6391

SALES OFFICE HOURS
8 A.M. TO 7:30 P.M. EASTERN TIME
www.HerculesUS.com

WORLDWIDE
PHONE 1-727-796-1300
FAX 1-727-797-8849

STYLE QR, BUNA-N QUAD® RINGS

| Part Number | A Nom. ID | B Nom. OD | C Nom. Ht | O-RING DASH NUMBER | INSIDE DIAMETER | CROSS SECTION | Package Quantity | List Price |
|------------------|-----------|-----------|-----------|--------------------|-----------------|---------------|------------------|------------|
| QR-4040 | 2-7/8 | 3 | 1/16 | -040 | 2.864 ±.020 | .070 ±.003 | 2 | 3.31 |
| QR-4041 | 3 | 3-1/8 | 1/16 | -041 | 2.989 ±.024 | .070 ±.003 | 2 | 3.39 |
| QR-4042 | 3-1/4 | 3-3/8 | 1/16 | -042 | 3.239 ±.024 | .070 ±.003 | 2 | 3.53 |
| QR-4043 | 3-1/2 | 3-5/8 | 1/16 | -043 | 3.489 ±.024 | .070 ±.003 | 2 | 3.93 |
| QR-4044 | 3-3/4 | 3-7/8 | 1/16 | -044 | 3.739 ±.027 | .070 ±.003 | 2 | 13.47 |
| QR-4045 | 4 | 4-1/8 | 1/16 | -045 | 3.989 ±.027 | .070 ±.003 | 2 | 3.98 |
| QR-4046 | 4-1/4 | 4-3/8 | 1/16 | -046 | 4.239 ±.030 | .070 ±.003 | 2 | 4.02 |
| QR-4047 | 4-1/2 | 4-5/8 | 1/16 | -047 | 4.489 ±.030 | .070 ±.003 | 2 | 4.87 |
| QR-4048 | 4-3/4 | 4-7/8 | 1/16 | -048 | 4.739 ±.030 | .070 ±.003 | 2 | 5.02 |
| QR-4050 | 5-1/4 | 5-3/8 | 1/16 | -050 | 5.239 ±.037 | .070 ±.003 | 2 | 6.93 |
| 3/32" C/S | | | | | | | | |
| QR-4108 | 1/4 | 7/16 | 3/32 | -108 | .237 ±.005 | .103 ±.003 | 5 | \$1.28 |
| QR-4109 | 5/16 | 1/2 | 3/32 | -109 | .299 ±.005 | .103 ±.003 | 5 | 1.49 |
| QR-4110 | 3/8 | 9/16 | 3/32 | -110 | .362 ±.005 | .103 ±.003 | 5 | 1.49 |
| QR-4111 | 7/16 | 5/8 | 3/32 | -111 | .424 ±.005 | .103 ±.003 | 5 | 1.49 |
| QR-4112 | 1/2 | 11/16 | 3/32 | -112 | .487 ±.005 | .103 ±.003 | 5 | 1.49 |
| QR-4113 | 9/16 | 3/4 | 3/32 | -113 | .549 ±.005 | .103 ±.003 | 5 | 1.49 |
| QR-4113V | 9/16 | 3/4 | 3/32 | -113 | .549 ±.005 | .103 ±.003 | 1 | 5.10 |
| QR-4114 | 5/8 | 13/16 | 3/32 | -114 | .612 ±.009 | .103 ±.003 | 5 | 1.49 |
| QR-4115 | 11/16 | 7/8 | 3/32 | -115 | .674 ±.009 | .103 ±.003 | 5 | 1.49 |
| QR-4116 | 3/4 | 15/16 | 3/32 | -116 | .737 ±.009 | .103 ±.003 | 5 | 1.64 |
| QR-4117 | 13/16 | 1 | 3/32 | -117 | .799 ±.010 | .103 ±.003 | 5 | 1.64 |
| QR-4118 | 7/8 | 1-1/16 | 3/32 | -118 | .862 ±.010 | .103 ±.003 | 5 | 1.79 |
| QR-4119 | 15/16 | 1-1/8 | 3/32 | -119 | .924 ±.010 | .103 ±.003 | 5 | 1.79 |
| QR-4120 | 1 | 1-3/16 | 3/32 | -120 | .987 ±.010 | .103 ±.003 | 5 | 1.79 |
| QR-4121 | 1-1/16 | 1-1/4 | 3/32 | -121 | 1.049 ±.010 | .103 ±.003 | 5 | 1.79 |
| QR-4122 | 1-1/8 | 1-5/16 | 3/32 | -122 | 1.112 ±.010 | .103 ±.003 | 5 | 1.79 |
| QR-4123 | 1-3/16 | 1-3/8 | 3/32 | -123 | 1.174 ±.012 | .103 ±.003 | 5 | 1.79 |
| QR-4124 | 1-1/4 | 1-7/16 | 3/32 | -124 | 1.237 ±.012 | .103 ±.003 | 5 | 1.79 |
| QR-4125 | 1-5/16 | 1-1/2 | 3/32 | -125 | 1.299 ±.012 | .103 ±.003 | 4 | 1.87 |
| QR-4126 | 1-3/8 | 1-9/16 | 3/32 | -126 | 1.362 ±.012 | .103 ±.003 | 4 | 1.87 |
| QR-4127 | 1-7/16 | 1-5/8 | 3/32 | -127 | 1.424 ±.012 | .103 ±.003 | 4 | 1.87 |
| QR-4128 | 1-1/2 | 1-11/16 | 3/32 | -128 | 1.487 ±.012 | .103 ±.003 | 4 | 1.87 |
| QR-4129 | 1-9/16 | 1-3/4 | 3/32 | -129 | 1.549 ±.015 | .103 ±.003 | 4 | 1.87 |
| QR-4130 | 1-5/8 | 1-13/16 | 3/32 | -130 | 1.612 ±.015 | .103 ±.003 | 4 | 1.87 |
| QR-4131 | 1-11/16 | 1-7/8 | 3/32 | -131 | 1.674 ±.015 | .103 ±.003 | 4 | 2.18 |
| QR-4132 | 1-3/4 | 1-15/16 | 3/32 | -132 | 1.737 ±.015 | .103 ±.003 | 4 | 2.18 |
| QR-4133 | 1-13/16 | 2 | 3/32 | -133 | 1.799 ±.015 | .103 ±.003 | 4 | 2.18 |
| QR-4134 | 1-7/8 | 2-1/16 | 3/32 | -134 | 1.862 ±.015 | .103 ±.003 | 4 | 2.18 |
| QR-4135 | 1-15/16 | 2-1/8 | 3/32 | -135 | 1.925 ±.017 | .103 ±.003 | 3 | 2.97 |
| QR-4136 | 2 | 2-3/16 | 3/32 | -136 | 1.987 ±.017 | .103 ±.003 | 3 | 3.05 |
| QR-4137 | 2-1/16 | 2-1/4 | 3/32 | -137 | 2.050 ±.017 | .103 ±.003 | 3 | 3.16 |
| QR-4138 | 2-1/8 | 2-5/16 | 3/32 | -138 | 2.112 ±.017 | .103 ±.003 | 3 | 3.43 |
| QR-4139 | 2-3/16 | 2-3/8 | 3/32 | -139 | 2.175 ±.017 | .103 ±.003 | 3 | 3.43 |
| QR-4140 | 2-1/4 | 2-7/16 | 3/32 | -140 | 2.237 ±.017 | .103 ±.003 | 3 | 3.60 |
| QR-4141 | 2-5/16 | 2-1/2 | 3/32 | -141 | 2.300 ±.020 | .103 ±.003 | 3 | 3.74 |
| QR-4142 | 2-3/8 | 2-9/16 | 3/32 | -142 | 2.362 ±.020 | .103 ±.003 | 3 | 3.90 |
| QR-4143 | 2-7/16 | 2-5/8 | 3/32 | -143 | 2.425 ±.020 | .103 ±.003 | 2 | 3.21 |
| QR-4144 | 2-1/2 | 2-11/16 | 3/32 | -144 | 2.487 ±.020 | .103 ±.003 | 2 | 4.06 |
| QR-4145 | 2-9/16 | 2-3/4 | 3/32 | -145 | 2.550 ±.020 | .103 ±.003 | 2 | 4.11 |
| QR-4146 | 2-5/8 | 2-13/16 | 3/32 | -146 | 2.612 ±.020 | .103 ±.003 | 2 | 4.11 |
| QR-4147 | 2-11/16 | 2-7/8 | 3/32 | -147 | 2.675 ±.022 | .103 ±.003 | 2 | 4.17 |
| QR-4148 | 2-3/4 | 2-15/16 | 3/32 | -148 | 2.737 ±.022 | .103 ±.003 | 2 | 4.18 |
| QR-4149 | 2-13/16 | 3 | 3/32 | -149 | 2.800 ±.022 | .103 ±.003 | 2 | 4.21 |
| QR-4151 | 3 | 3-3/16 | 3/32 | -151 | 2.987 ±.024 | .103 ±.003 | 2 | 4.31 |
| QR-4152 | 3-1/4 | 3-7/16 | 3/32 | -152 | 3.237 ±.024 | .103 ±.003 | 2 | 4.35 |
| QR-4153 | 3-1/2 | 3-11/16 | 3/32 | -153 | 3.487 ±.024 | .103 ±.003 | 2 | 4.57 |

O-RINGS



STYLE QR, BUNA-N QUAD® RINGS

O-RINGS

| Part Number | A Nom. ID | B Nom. OD | C Nom. Ht | O-RING DASH NUMBER | INSIDE DIAMETER | CROSS SECTION | Package Quantity | List Price |
|-----------------|-----------|-----------|-----------|--------------------|-----------------|---------------|------------------|------------|
| QR-4154 | 3-3/4 | 3-15/16 | 3/32 | -154 | 3.737 ±.028 | .103 ±.003 | 2 | 4.42 |
| QR-4156 | 4-1/4 | 4-7/16 | 3/32 | -156 | 4.237 ±.030 | .103 ±.003 | 2 | 4.42 |
| QR-4157 | 4-1/2 | 4-11/16 | 3/32 | -157 | 4.487 ±.030 | .103 ±.003 | 2 | 4.50 |
| QR-4158 | 4-3/4 | 4-15/16 | 3/32 | -158 | 4.737 ±.030 | .103 ±.003 | 2 | 5.31 |
| QR-4159 | 5 | 5-3/16 | 3/32 | -159 | 4.987 ±.035 | .103 ±.003 | 2 | 5.46 |
| QR-4161 | 5-1/2 | 5-11/16 | 3/32 | -161 | 5.487 ±.035 | .103 ±.003 | 2 | 5.63 |
| QR-4164 | 6-1/4 | 6-7/16 | 3/32 | -164 | 6.237 ±.040 | .103 ±.003 | 1 | 4.23 |
| 1/8" C/S | | | | | | | | |
| QR-4202 | 1/4 | 1/2 | 1/8 | -202 | .234 ±.005 | .139 ±.004 | 5 | \$1.60 |
| QR-4204 | 3/8 | 5/8 | 1/8 | -204 | .359 ±.005 | .139 ±.004 | 5 | 1.64 |
| QR-4205 | 7/16 | 11/16 | 1/8 | -205 | .421 ±.005 | .139 ±.004 | 5 | 1.64 |
| QR-4206 | 1/2 | 3/4 | 1/8 | -206 | .484 ±.005 | .139 ±.004 | 5 | 1.64 |
| QR-4207 | 9/16 | 13/16 | 1/8 | -207 | .546 ±.007 | .139 ±.004 | 5 | 1.64 |
| QR-4208 | 5/8 | 7/8 | 1/8 | -208 | .609 ±.009 | .139 ±.004 | 5 | 1.64 |
| QR-4209 | 11/16 | 15/16 | 1/8 | -209 | .671 ±.009 | .139 ±.004 | 5 | 1.64 |
| QR-4210 | 3/4 | 1 | 1/8 | -210 | .734 ±.010 | .139 ±.004 | 5 | 1.64 |
| QR-4211 | 13/16 | 1-1/16 | 1/8 | -211 | .796 ±.010 | .139 ±.004 | 5 | 1.64 |
| QR-4212 | 7/8 | 1-1/8 | 1/8 | -212 | .859 ±.010 | .139 ±.004 | 5 | 1.64 |
| QR-4213 | 15/16 | 1-3/16 | 1/8 | -213 | .921 ±.010 | .139 ±.004 | 5 | 1.65 |
| QR-4214 | 1 | 1-1/4 | 1/8 | -214 | .984 ±.010 | .139 ±.004 | 5 | 1.79 |
| QR-4215 | 1-1/16 | 1-5/16 | 1/8 | -215 | 1.046 ±.010 | .139 ±.004 | 5 | 1.79 |
| QR-4216 | 1-1/8 | 1-3/8 | 1/8 | -216 | 1.109 ±.012 | .139 ±.004 | 4 | 1.96 |
| QR-4217 | 1-3/16 | 1-7/16 | 1/8 | -217 | 1.171 ±.012 | .139 ±.004 | 4 | 1.96 |
| QR-4218 | 1-1/4 | 1-1/2 | 1/8 | -218 | 1.234 ±.012 | .139 ±.004 | 4 | 1.96 |
| QR-4219 | 1-5/16 | 1-9/16 | 1/8 | -219 | 1.296 ±.012 | .139 ±.004 | 4 | 1.96 |
| QR-4220 | 1-3/8 | 1-5/8 | 1/8 | -220 | 1.359 ±.012 | .139 ±.004 | 4 | 2.18 |
| QR-4221 | 1-7/16 | 1-11/16 | 1/8 | -221 | 1.421 ±.012 | .139 ±.004 | 4 | 2.18 |
| QR-4222 | 1-1/2 | 1-3/4 | 1/8 | -222 | 1.484 ±.015 | .139 ±.004 | 4 | 2.18 |
| QR-4223 | 1-5/8 | 1-7/8 | 1/8 | -223 | 1.609 ±.015 | .139 ±.004 | 3 | 2.61 |
| QR-4224 | 1-3/4 | 2 | 1/8 | -224 | 1.734 ±.015 | .139 ±.004 | 3 | 2.61 |
| QR-4225 | 1-7/8 | 2-1/8 | 1/8 | -225 | 1.859 ±.018 | .139 ±.004 | 3 | 2.61 |
| QR-4226 | 2 | 2-1/4 | 1/8 | -226 | 1.984 ±.018 | .139 ±.004 | 3 | 2.61 |
| QR-4227 | 2-1/8 | 2-3/8 | 1/8 | -227 | 2.109 ±.018 | .139 ±.004 | 3 | 2.61 |
| QR-4228 | 2-1/4 | 2-1/2 | 1/8 | -228 | 2.234 ±.020 | .139 ±.004 | 3 | 2.95 |
| QR-4229 | 2-3/8 | 2-5/8 | 1/8 | -229 | 2.359 ±.020 | .139 ±.004 | 3 | 2.95 |
| QR-4230 | 2-1/2 | 2-3/4 | 1/8 | -230 | 2.484 ±.020 | .139 ±.004 | 3 | 3.04 |
| QR-4231 | 2-5/8 | 2-7/8 | 1/8 | -231 | 2.609 ±.020 | .139 ±.004 | 3 | 3.04 |
| QR-4232 | 2-3/4 | 3 | 1/8 | -232 | 2.734 ±.024 | .139 ±.004 | 3 | 3.04 |
| QR-4233 | 2-7/8 | 3-1/8 | 1/8 | -233 | 2.859 ±.024 | .139 ±.004 | 3 | 3.04 |
| QR-4234 | 3 | 3-1/4 | 1/8 | -234 | 2.984 ±.024 | .139 ±.004 | 3 | 3.04 |
| QR-4235 | 3-1/8 | 3-3/8 | 1/8 | -235 | 3.109 ±.024 | .139 ±.004 | 3 | 3.04 |
| QR-4236 | 3-1/4 | 3-1/2 | 1/8 | -236 | 3.234 ±.024 | .139 ±.004 | 3 | 3.04 |
| QR-4237 | 3-3/8 | 3-5/8 | 1/8 | -237 | 3.359 ±.024 | .139 ±.004 | 3 | 3.04 |
| QR-4238 | 3-1/2 | 3-3/4 | 1/8 | -238 | 3.484 ±.024 | .139 ±.004 | 2 | 5.32 |
| QR-4239 | 3-5/8 | 3-7/8 | 1/8 | -239 | 3.609 ±.028 | .139 ±.004 | 2 | 5.32 |
| QR-4240 | 3-3/4 | 4 | 1/8 | -240 | 3.734 ±.028 | .139 ±.004 | 2 | 5.32 |
| QR-4241 | 3-7/8 | 4-1/8 | 1/8 | -241 | 3.859 ±.028 | .139 ±.004 | 2 | 5.32 |
| QR-4242 | 4 | 4-1/4 | 1/8 | -242 | 3.984 ±.028 | .139 ±.004 | 2 | 5.32 |
| QR-4243 | 4-1/8 | 4-3/8 | 1/8 | -243 | 4.109 ±.028 | .139 ±.004 | 2 | 5.45 |
| QR-4244 | 4-1/4 | 4-1/2 | 1/8 | -244 | 4.234 ±.030 | .139 ±.004 | 2 | 5.45 |
| QR-4245 | 4-3/8 | 4-5/8 | 1/8 | -245 | 4.359 ±.030 | .139 ±.004 | 2 | 5.45 |
| QR-4246 | 4-1/2 | 4-3/4 | 1/8 | -246 | 4.484 ±.030 | .139 ±.004 | 2 | 5.45 |
| QR-4247 | 4-5/8 | 4-7/8 | 1/8 | -247 | 4.609 ±.030 | .139 ±.004 | 2 | 5.45 |
| QR-4248 | 4-3/4 | 5 | 1/8 | -248 | 4.734 ±.030 | .139 ±.004 | 2 | 5.73 |
| QR-4249 | 4-7/8 | 5-1/8 | 1/8 | -249 | 4.859 ±.035 | .139 ±.004 | 2 | 5.73 |
| QR-4250 | 5 | 5-1/4 | 1/8 | -250 | 4.984 ±.035 | .139 ±.004 | 2 | 5.73 |
| QR-4251 | 5-1/8 | 5-3/8 | 1/8 | -251 | 5.109 ±.035 | .139 ±.004 | 2 | 5.73 |

NORTH AMERICA
PHONE 1-800-777-5617
FAX 1-800-759-6391

SALES OFFICE HOURS
8 A.M. TO 7:30 P.M. EASTERN TIME
www.HerculesUS.com

WORLDWIDE
PHONE 1-727-796-1300
FAX 1-727-797-8849

STYLE QR, BUNA-N QUAD® RINGS

O-RINGS

| Part Number | A Nom. ID | B Nom. OD | C Nom. Ht | O-RING DASH NUMBER | INSIDE DIAMETER | CROSS SECTION | Package Quantity | List Price |
|------------------|-----------|-----------|-----------|--------------------|-----------------|---------------|------------------|------------|
| QR-4252 | 5-1/4 | 5-1/2 | 1/8 | -252 | 5.234 ±.035 | .139 ±.004 | 1 | 8.11 |
| QR-4253 | 5-3/8 | 5-5/8 | 1/8 | -253 | 5.359 ±.035 | .139 ±.004 | 1 | 19.41 |
| QR-4254 | 5-1/2 | 5-3/4 | 1/8 | -254 | 5.484 ±.035 | .139 ±.004 | 1 | 8.85 |
| QR-4255 | 5-5/8 | 5-7/8 | 1/8 | -255 | 5.609 ±.035 | .139 ±.004 | 1 | 9.55 |
| QR-4256 | 5-3/4 | 6 | 1/8 | -256 | 5.734 ±.035 | .139 ±.004 | 1 | 9.55 |
| QR-4257 | 5-7/8 | 6-1/8 | 1/8 | -257 | 5.859 ±.035 | .139 ±.004 | 1 | 10.93 |
| QR-4258 | 6 | 6-1/4 | 1/8 | -258 | 5.984 ±.035 | .139 ±.004 | 1 | 10.93 |
| QR-4259 | 6-1/4 | 6-1/2 | 1/8 | -259 | 6.234 ±.040 | .139 ±.004 | 1 | 11.32 |
| QR-4260 | 6-1/2 | 6-3/4 | 1/8 | -260 | 6.484 ±.040 | .139 ±.004 | 1 | 10.48 |
| QR-4261 | 6-3/4 | 7 | 1/8 | -261 | 6.734 ±.040 | .139 ±.004 | 1 | 13.24 |
| QR-4263 | 7-1/4 | 7-1/2 | 1/8 | -263 | 7.234 ±.045 | .139 ±.004 | 1 | 13.24 |
| QR-4265 | 7-3/4 | 8 | 1/8 | -265 | 7.734 ±.045 | .139 ±.004 | 1 | 13.24 |
| QR-4266 | 8 | 8-1/4 | 1/8 | -266 | 7.984 ±.045 | .139 ±.004 | 1 | 14.37 |
| QR-4268 | 8-1/2 | 8-3/4 | 1/8 | -268 | 8.484 ±.050 | .139 ±.004 | 1 | 21.94 |
| QR-4278 | 12 | 12-1/4 | 1/8 | -278 | 11.984 ±.065 | .139 ±.004 | 1 | 38.30 |
| 3/16" C/S | | | | | | | | |
| QR-4314 | 3/4 | 1-1/8 | 3/16 | -314 | .725 ±.010 | .210 ±.005 | 3 | \$2.32 |
| QR-4316 | 7/8 | 1-1/4 | 3/16 | -316 | .850 ±.010 | .210 ±.005 | 3 | 2.35 |
| QR-4318 | 1 | 1-3/8 | 3/16 | -318 | .975 ±.010 | .210 ±.005 | 3 | 2.35 |
| QR-4319 | 1-1/16 | 1-7/16 | 3/16 | -319 | 1.037 ±.010 | .210 ±.005 | 3 | 4.80 |
| QR-4320 | 1-1/8 | 1-1/2 | 3/16 | -320 | 1.100 ±.012 | .210 ±.005 | 3 | 2.59 |
| QR-4321 | 1-3/16 | 1-9/16 | 3/16 | -321 | 1.162 ±.012 | .210 ±.005 | 3 | 2.59 |
| QR-4322 | 1-1/4 | 1-5/8 | 3/16 | -322 | 1.225 ±.012 | .210 ±.005 | 3 | 2.66 |
| QR-4323 | 1-5/16 | 1-11/16 | 3/16 | -323 | 1.287 ±.012 | .210 ±.005 | 3 | 2.66 |
| QR-4324 | 1-3/8 | 1-3/4 | 3/16 | -324 | 1.350 ±.012 | .210 ±.005 | 3 | 2.66 |
| QR-4325 | 1-1/2 | 1-7/8 | 3/16 | -325 | 1.475 ±.015 | .210 ±.005 | 3 | 2.86 |
| QR-4326 | 1-5/8 | 2 | 3/16 | -326 | 1.600 ±.015 | .210 ±.005 | 3 | 2.86 |
| QR-4327 | 1-3/4 | 2-1/8 | 3/16 | -327 | 1.725 ±.015 | .210 ±.005 | 3 | 2.86 |
| QR-4328 | 1-7/8 | 2-1/4 | 3/16 | -328 | 1.850 ±.015 | .210 ±.005 | 3 | 3.21 |
| QR-4329 | 2 | 2-3/8 | 3/16 | -329 | 1.975 ±.018 | .210 ±.005 | 3 | 3.21 |
| QR-4330 | 2-1/8 | 2-1/2 | 3/16 | -330 | 2.100 ±.018 | .210 ±.005 | 3 | 3.21 |
| QR-4331 | 2-1/4 | 2-5/8 | 3/16 | -331 | 2.225 ±.018 | .210 ±.005 | 3 | 3.31 |
| QR-4332 | 2-3/8 | 2-3/4 | 3/16 | -332 | 2.350 ±.018 | .210 ±.005 | 3 | 3.31 |
| QR-4333 | 2-1/2 | 2-7/8 | 3/16 | -333 | 2.475 ±.020 | .210 ±.005 | 3 | 3.63 |
| QR-4334 | 2-5/8 | 3 | 3/16 | -334 | 2.600 ±.020 | .210 ±.005 | 3 | 3.63 |
| QR-4335 | 2-3/4 | 3-1/8 | 3/16 | -335 | 2.725 ±.020 | .210 ±.005 | 2 | 3.96 |
| QR-4336 | 2-7/8 | 3-1/4 | 3/16 | -336 | 2.850 ±.020 | .210 ±.005 | 2 | 3.96 |
| QR-4337 | 3 | 3-3/8 | 3/16 | -337 | 2.975 ±.024 | .210 ±.005 | 2 | 4.14 |
| QR-4338 | 3-1/8 | 3-1/2 | 3/16 | -338 | 3.100 ±.024 | .210 ±.005 | 2 | 4.14 |
| QR-4339 | 3-1/4 | 3-5/8 | 3/16 | -339 | 3.225 ±.024 | .210 ±.005 | 2 | 4.14 |
| QR-4340 | 3-3/8 | 3-3/4 | 3/16 | -340 | 3.350 ±.024 | .210 ±.005 | 2 | 5.63 |
| QR-4341 | 3-1/2 | 3-7/8 | 3/16 | -341 | 3.475 ±.024 | .210 ±.005 | 2 | 5.97 |
| QR-4342 | 3-5/8 | 4 | 3/16 | -342 | 3.600 ±.028 | .210 ±.005 | 2 | 6.29 |
| QR-4343 | 3-3/4 | 4-1/8 | 3/16 | -343 | 3.725 ±.028 | .210 ±.005 | 2 | 6.29 |
| QR-4344 | 3-7/8 | 4-1/4 | 3/16 | -344 | 3.850 ±.028 | .210 ±.005 | 1 | 7.21 |
| QR-4345 | 4 | 4-3/8 | 3/16 | -345 | 3.975 ±.028 | .210 ±.005 | 1 | 8.28 |
| QR-4346 | 4-1/8 | 4-1/2 | 3/16 | -346 | 4.100 ±.028 | .210 ±.005 | 1 | 9.56 |
| QR-4347 | 4-1/4 | 4-5/8 | 3/16 | -347 | 4.225 ±.030 | .210 ±.005 | 1 | 9.56 |
| QR-4348 | 4-3/8 | 4-3/4 | 3/16 | -348 | 4.350 ±.030 | .210 ±.005 | 1 | 9.56 |
| QR-4349 | 4-1/2 | 4-7/8 | 3/16 | -349 | 4.475 ±.030 | .210 ±.005 | 1 | 9.56 |
| QR-4350 | 4-5/8 | 5 | 3/16 | -350 | 4.600 ±.030 | .210 ±.005 | 1 | 9.56 |
| QR-4351 | 4-3/4 | 5-1/8 | 3/16 | -351 | 4.725 ±.030 | .210 ±.005 | 1 | 11.74 |
| QR-4352 | 4-7/8 | 5-1/4 | 3/16 | -352 | 4.850 ±.030 | .210 ±.005 | 1 | 11.74 |
| QR-4353 | 5 | 5-3/8 | 3/16 | -353 | 4.975 ±.037 | .210 ±.005 | 1 | 11.74 |
| QR-4354 | 5-1/8 | 5-1/2 | 3/16 | -354 | 5.100 ±.037 | .210 ±.005 | 1 | 15.44 |
| QR-4355 | 5-1/4 | 5-5/8 | 3/16 | -355 | 5.225 ±.037 | .210 ±.005 | 1 | 15.44 |
| QR-4356 | 5-3/8 | 5-3/4 | 3/16 | -356 | 5.350 ±.037 | .210 ±.005 | 1 | 15.44 |



STYLE QR, BUNA-N QUAD® RINGS

O-RINGS

| Part Number | A Nom. ID | B Nom. OD | C Nom. Ht | O-RING DASH NUMBER | INSIDE DIAMETER | CROSS SECTION | Package Quantity | List Price |
|-----------------|-----------|-----------|-----------|--------------------|-----------------|---------------|------------------|------------|
| QR-4357 | 5-1/2 | 5-7/8 | 3/16 | -357 | 5.475 ±.037 | .210 ±.005 | 1 | 16.78 |
| QR-4358 | 5-5/8 | 6 | 3/16 | -358 | 5.600 ±.037 | .210 ±.005 | 1 | 16.78 |
| QR-4361 | 6 | 6-3/8 | 3/16 | -361 | 5.975 ±.037 | .210 ±.005 | 1 | 17.17 |
| QR-4362 | 6-1/4 | 6-5/8 | 3/16 | -362 | 6.225 ±.040 | .210 ±.005 | 1 | 17.50 |
| QR-4363 | 6-1/2 | 6-7/8 | 3/16 | -363 | 6.475 ±.040 | .210 ±.005 | 1 | 17.50 |
| QR-4366 | 7-1/4 | 7-5/8 | 3/16 | -366 | 7.225 ±.045 | .210 ±.005 | 1 | 26.01 |
| QR-4367 | 7-1/2 | 7-7/8 | 3/16 | -367 | 7.475 ±.045 | .210 ±.005 | 1 | 26.01 |
| QR-4368 | 7-3/4 | 8-1/8 | 3/16 | -368 | 7.725 ±.045 | .210 ±.005 | 1 | 26.50 |
| QR-4369 | 8 | 8-3/8 | 3/16 | -369 | 7.975 ±.045 | .210 ±.005 | 1 | 27.25 |
| QR-4374 | 9-1/4 | 9-5/8 | 3/16 | -374 | 9.225 ±.055 | .210 ±.005 | 1 | 34.74 |
| 1/4" C/S | | | | | | | | |
| QR-4425 | 4-1/2 | 5 | 1/4 | -425 | 4.475 ±.033 | .275 ±.006 | 1 | \$9.39 |
| QR-4426 | 4-5/8 | 5-1/8 | 1/4 | -426 | 4.600 ±.033 | .275 ±.006 | 1 | 9.39 |
| QR-4427 | 4-3/4 | 5-1/4 | 1/4 | -427 | 4.725 ±.033 | .275 ±.006 | 1 | 9.39 |
| QR-4428 | 4-7/8 | 5-3/8 | 1/4 | -428 | 4.850 ±.033 | .275 ±.006 | 1 | 9.39 |
| QR-4429 | 5 | 5-1/2 | 1/4 | -429 | 4.975 ±.037 | .275 ±.006 | 1 | 10.42 |
| QR-4430 | 5-1/8 | 5-5/8 | 1/4 | -430 | 5.100 ±.037 | .275 ±.006 | 1 | 10.42 |
| QR-4431 | 5-1/4 | 5-3/4 | 1/4 | -431 | 5.225 ±.037 | .275 ±.006 | 1 | 10.42 |
| QR-4432 | 5-3/8 | 5-7/8 | 1/4 | -432 | 5.350 ±.037 | .275 ±.006 | 1 | 11.52 |
| QR-4433 | 5-1/2 | 6 | 1/4 | -433 | 5.475 ±.037 | .275 ±.006 | 1 | 11.52 |
| QR-4434 | 5-5/8 | 6-1/8 | 1/4 | -434 | 5.600 ±.037 | .275 ±.006 | 1 | 11.73 |
| QR-4435 | 5-3/4 | 6-1/4 | 1/4 | -435 | 5.725 ±.037 | .275 ±.006 | 1 | 11.73 |
| QR-4436 | 5-7/8 | 6-3/8 | 1/4 | -436 | 5.850 ±.037 | .275 ±.006 | 1 | 11.73 |
| QR-4437 | 6 | 6-1/2 | 1/4 | -437 | 5.975 ±.037 | .275 ±.006 | 1 | 12.20 |
| QR-4438 | 6-1/4 | 6-3/4 | 1/4 | -438 | 6.225 ±.040 | .275 ±.006 | 1 | 12.20 |
| QR-4439 | 6-1/2 | 7 | 1/4 | -439 | 6.475 ±.040 | .275 ±.006 | 1 | 12.20 |
| QR-4440 | 6-3/4 | 7-1/4 | 1/4 | -440 | 6.725 ±.040 | .275 ±.006 | 1 | 13.26 |
| QR-4441 | 7 | 7-1/2 | 1/4 | -441 | 6.975 ±.040 | .275 ±.006 | 1 | 13.26 |
| QR-4442 | 7-1/4 | 7-3/4 | 1/4 | -442 | 7.225 ±.045 | .275 ±.006 | 1 | 13.26 |
| QR-4443 | 7-1/2 | 8 | 1/4 | -443 | 7.475 ±.045 | .275 ±.006 | 1 | 14.33 |
| QR-4444 | 7-3/4 | 8-1/4 | 1/4 | -444 | 7.725 ±.045 | .275 ±.006 | 1 | 16.90 |
| QR-4445 | 8 | 8-1/2 | 1/4 | -445 | 7.975 ±.045 | .275 ±.006 | 1 | 19.58 |
| QR-4446 | 8-1/2 | 9 | 1/4 | -446 | 8.475 ±.055 | .275 ±.006 | 1 | 21.37 |
| QR-4447 | 9 | 9-1/2 | 1/4 | -447 | 8.975 ±.055 | .275 ±.006 | 1 | 21.37 |
| QR-4448 | 9-1/2 | 10 | 1/4 | -448 | 9.475 ±.055 | .275 ±.006 | 1 | 34.69 |
| QR-4450 | 10-1/2 | 11 | 1/4 | -450 | 10.475 ±.060 | .275 ±.006 | 1 | 38.85 |
| QR-4452 | 11-1/2 | 12 | 1/4 | -452 | 11.475 ±.060 | .275 ±.006 | 1 | 39.75 |
| QR-4453 | 12 | 12-1/2 | 1/4 | -453 | 11.975 ±.060 | .275 ±.006 | 1 | 41.08 |
| QR-4454 | 12-1/2 | 13 | 1/4 | -454 | 12.475 ±.060 | .275 ±.006 | 1 | 54.72 |
| QR-4455 | 13 | 13-1/2 | 1/4 | -455 | 12.975 ±.060 | .275 ±.006 | 1 | 41.08 |
| QR-4458 | 14-1/2 | 15 | 1/4 | -458 | 14.475 ±.070 | .275 ±.006 | 1 | 41.69 |
| QR-4464 | 17-1/2 | 18 | 1/4 | -464 | 17.455 ±.085 | .275 ±.006 | 1 | 82.14 |

Seal color may vary.

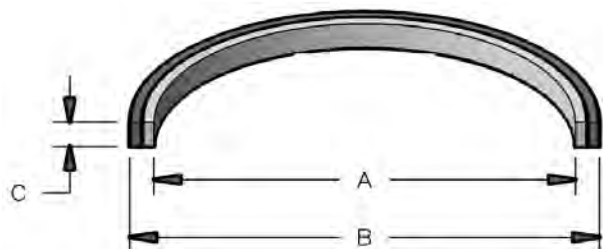
NORTH AMERICA
PHONE 1-800-777-5617
FAX 1-800-759-6391

SALES OFFICE HOURS
8 A.M. TO 7:30 P.M. EASTERN TIME
www.HerculesUS.com

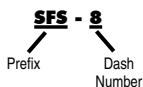
WORLDWIDE
PHONE 1-727-796-1300
FAX 1-727-797-8849

STYLE SFS SPLIT FLANGE SEALS

FOR 4-BOLT SPLIT FLANGE CONNECTORS - Flange seals are a one piece dual durometer urethane static seal. The black outer part is a tough, extrusion-resistant 95 Durometer urethane, and the yellow inner layer is 57 Durometer with low compression set and excellent sealing properties. These seals are a direct replacement for o-rings and do not require modification to any split flange groove. **For SAE J518 4-bolt Code 61/62 Split Flanges.**



HERCULES PART NUMBERS



SEAL INFORMATION

| | |
|-------------------|-----------------|
| MATERIAL | URETHANE |
| TEMPERATURE RANGE | -40° TO +200° F |
| PRESSURE RANGE | 0 TO 3,000 PSI |
| SPEED | STATIC |

| Part Number | A Nom. ID | B Nom. OD | C Nom. Ht | Nom. Cross Section | O-RING DASH NUMBER | G HOUSING DIAMETER | AXIAL GROOVE WIDTH | RADIAL GROOVE WIDTH | C HEIGHT | CROSS SECTION | FLANGE SIZE | List Price |
|-------------|-----------|-----------|-----------|--------------------|--------------------|---|--|---------------------|-------------|---------------|-------------|------------|
| SFS-8 | 3/4 | 1 | 1/8 | 1/8 | -210 | 1.000 ^{+0.005} / _{+0.000} | .110 ^{+0.005} / _{+0.000} | .165 ±0.010 | .130 ±0.005 | .115 ±0.005 | .500 | \$2.60 |
| SFS-12 | 1 | 1-1/4 | 1/8 | 1/8 | -214 | 1.250 ^{+0.005} / _{+0.000} | .110 ^{+0.005} / _{+0.000} | .165 ±0.010 | .130 ±0.005 | .115 ±0.005 | .750 | 2.73 |
| SFS-16 | 1-5/16 | 1-9/16 | 1/8 | 1/8 | -219 | 1.565 ^{+0.005} / _{+0.000} | .110 ^{+0.005} / _{+0.000} | .165 ±0.010 | .130 ±0.005 | .115 ±0.005 | 1.000 | 3.09 |
| SFS-20 | 1-1/2 | 1-3/4 | 1/8 | 1/8 | -222 | 1.750 ^{+0.005} / _{+0.000} | .110 ^{+0.005} / _{+0.000} | .165 ±0.010 | .130 ±0.005 | .115 ±0.005 | 1.250 | 3.36 |
| SFS-24 | 1-7/8 | 2-1/8 | 1/8 | 1/8 | -225 | 2.115 ^{+0.010} / _{+0.000} | .110 ^{+0.005} / _{+0.000} | .165 ±0.010 | .130 ±0.005 | .115 ±0.005 | 1.500 | 3.58 |
| SFS-32 | 2-1/4 | 2-1/2 | 1/8 | 1/8 | -228 | 2.490 ^{+0.010} / _{+0.000} | .110 ^{+0.005} / _{+0.000} | .165 ±0.010 | .130 ±0.005 | .115 ±0.005 | 2.000 | 4.39 |
| SFS-40 | 2-3/4 | 3 | 1/8 | 1/8 | -232 | 2.995 ^{+0.010} / _{+0.000} | .110 ^{+0.005} / _{+0.000} | .165 ±0.010 | .130 ±0.005 | .115 ±0.005 | 2.500 | 5.39 |
| SFS-48 | 3-3/8 | 3-5/8 | 1/8 | 1/8 | -237 | 3.615 ^{+0.010} / _{+0.000} | .110 ^{+0.005} / _{+0.000} | .165 ±0.010 | .130 ±0.005 | .115 ±0.005 | 3.000 | 6.88 |

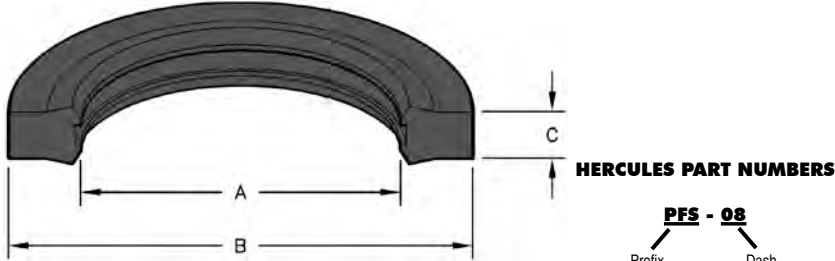
O-RINGS

Split Flange Seal Kits Also Available - See the Kits & Tools Section

Seal color may vary.

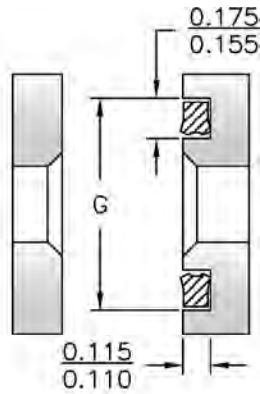
STYLE PFS SPLIT FLANGE SEALS

Molded in 92A urethane, this seal was developed to replace an o-ring in SAE J518 code 61/62 split flange applications.



HERCULES PART NUMBERS

PFS - 08
Prefix Dash
 Number



SEAL INFORMATION

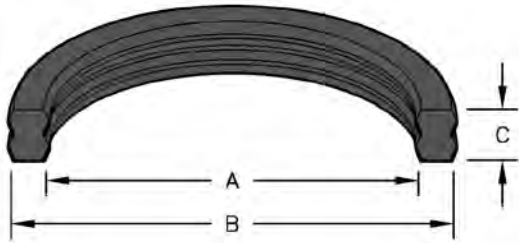
| | |
|-------------------|---------------|
| MATERIAL | 92A URETHANE |
| TEMPERATURE RANGE | -40 - +212° F |
| PRESSURE RANGE | 0 TO 7200 PSI |
| SPEED | STATIC |

O-RINGS

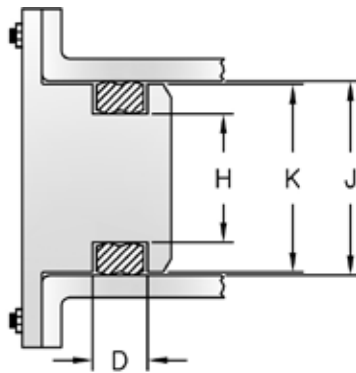
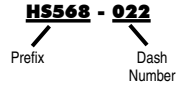
| Part Number | A Nom. ID | B Nom. OD | C Nom. Ht | Nom. Cross Section | O-RING DASH NUMBER | G HOUSING DIAMETER | AXIAL GROOVE WIDTH | RADIAL GROOVE WIDTH | FLANGE SIZE | List Price |
|-------------|--------------|--------------|--------------|--------------------|-----------------------|---|--|------------------------|----------------|---------------|
| PFS-08 | 3/4 | 1 | 1/8 | 1/8 | -210 | 1.000 ^{+0.005} / _{+0.000} | .110 ^{+0.005} / _{+0.000} | .165 ±0.010 | .500 | \$2.12 |
| PFS-12 | 1 | 1-1/4 | 1/8 | 1/8 | -214 | 1.250 ^{+0.005} / _{+0.000} | .110 ^{+0.005} / _{+0.000} | .165 ±0.010 | .750 | 2.18 |
| PFS-16 | 1-5/16 | 1-9/16 | 1/8 | 1/8 | -219 | 1.565 ^{+0.005} / _{+0.000} | .110 ^{+0.005} / _{+0.000} | .165 ±0.010 | 1.000 | 2.74 |
| PFS-20 | 1-1/2 | 1-3/4 | 1/8 | 1/8 | -222 | 1.750 ^{+0.005} / _{+0.000} | .110 ^{+0.005} / _{+0.000} | .165 ±0.010 | 1.250 | 1.90 |
| PFS-24 | 1-7/8 | 2-1/8 | 1/8 | 1/8 | -225 | 2.115 ^{+0.010} / _{+0.000} | .110 ^{+0.005} / _{+0.000} | .165 ±0.010 | 1.500 | 2.01 |
| PFS-32 | 2-1/4 | 2-1/2 | 1/8 | 1/8 | -228 | 2.490 ^{+0.010} / _{+0.000} | .110 ^{+0.005} / _{+0.000} | .165 ±0.010 | 2.000 | 2.11 |
| PFS-40 | 2-3/4 | 3 | 1/8 | 1/8 | -232 | 2.995 ^{+0.010} / _{+0.000} | .110 ^{+0.005} / _{+0.000} | .165 ±0.010 | 2.500 | 3.57 |

STYLE HS568 HEAD SEALS

Molded in 90A urethane, this seal was developed to be used as a head seal and to replace an o-ring and a back-up. Its symmetrical one-piece design reduces the risk of installation damage and back-up blow-out.



HERCULES PART NUMBERS



| SEAL INFORMATION | |
|-------------------|----------------|
| MATERIAL | 90A URETHANE |
| TEMPERATURE RANGE | -40 - +212° F |
| PRESSURE RANGE | 0 TO 10000 PSI |
| SPEED | STATIC |

O-RINGS

| Part Number | A Nom. ID | B Nom. OD | C Nom. Ht | D GROOVE WIDTH | H GROOVE DIAMETER | K HEAD DIAMETER | J BORE DIAMETER | List Price |
|------------------|--------------|--------------|--------------|--|--|--|---|------------|
| 1/16" C/S | | | | | | | | |
| HS568-022 | 1 | 1-1/8 | 1/8 | .138 ^{+0.005} / _{+0.000} | 1.153 ^{+0.000} / _{-.002} | 1.122 ^{+0.000} / _{-.001} | 1.125 ^{+0.002} / _{+0.000} | \$2.62 |
| 1/8" C/S | | | | | | | | |
| HS568-228 | 2-1/4 | 2-1/2 | 3/16 | .208 ^{+0.005} / _{+0.000} | 2.278 ^{+0.000} / _{-.002} | 2.497 ^{+0.000} / _{-.001} | 2.500 ^{+0.002} / _{+0.000} | \$11.70 |
| HS568-230 | 2-1/2 | 2-3/4 | 3/16 | .208 ^{+0.005} / _{+0.000} | 2.528 ^{+0.000} / _{-.002} | 2.747 ^{+0.000} / _{-.001} | 2.750 ^{+0.002} / _{+0.000} | 11.70 |
| HS568-232 | 2-3/4 | 3 | 3/16 | .208 ^{+0.005} / _{+0.000} | 2.778 ^{+0.000} / _{-.002} | 2.997 ^{+0.000} / _{-.001} | 3.000 ^{+0.002} / _{+0.000} | 13.35 |
| HS568-234 | 3 | 3-1/4 | 3/16 | .208 ^{+0.005} / _{+0.000} | 3.028 ^{+0.000} / _{-.002} | 3.247 ^{+0.000} / _{-.001} | 3.250 ^{+0.002} / _{+0.000} | 13.35 |
| HS568-235 | 3-1/8 | 3-3/8 | 3/16 | .208 ^{+0.005} / _{+0.000} | 3.153 ^{+0.000} / _{-.002} | 3.372 ^{+0.000} / _{-.001} | 3.375 ^{+0.002} / _{+0.000} | 13.35 |
| HS568-236 | 3-1/4 | 3-1/2 | 3/16 | .208 ^{+0.005} / _{+0.000} | 3.278 ^{+0.000} / _{-.002} | 3.497 ^{+0.000} / _{-.001} | 3.500 ^{+0.002} / _{+0.000} | 13.35 |
| HS568-238 | 3-1/2 | 3-3/4 | 3/16 | .208 ^{+0.005} / _{+0.000} | 3.528 ^{+0.000} / _{-.002} | 3.747 ^{+0.000} / _{-.001} | 3.750 ^{+0.002} / _{+0.000} | 13.64 |
| HS568-240 | 3-3/4 | 4 | 3/16 | .208 ^{+0.005} / _{+0.000} | 3.778 ^{+0.000} / _{-.002} | 3.997 ^{+0.000} / _{-.001} | 4.000 ^{+0.002} / _{+0.000} | 17.01 |
| HS568-242 | 4 | 4-1/4 | 3/16 | .208 ^{+0.005} / _{+0.000} | 4.028 ^{+0.000} / _{-.002} | 4.247 ^{+0.000} / _{-.001} | 4.250 ^{+0.002} / _{+0.000} | 17.01 |
| HS568-244 | 4-1/4 | 4-1/2 | 3/16 | .208 ^{+0.005} / _{+0.000} | 4.278 ^{+0.000} / _{-.002} | 4.497 ^{+0.000} / _{-.001} | 4.500 ^{+0.002} / _{+0.000} | 17.01 |
| HS568-246 | 4-1/2 | 4-3/4 | 3/16 | .208 ^{+0.005} / _{+0.000} | 4.528 ^{+0.000} / _{-.002} | 4.747 ^{+0.000} / _{-.001} | 4.750 ^{+0.002} / _{+0.000} | 18.90 |
| HS568-248 | 4-3/4 | 5 | 3/16 | .208 ^{+0.005} / _{+0.000} | 4.778 ^{+0.000} / _{-.002} | 4.997 ^{+0.000} / _{-.001} | 5.000 ^{+0.002} / _{+0.000} | 18.90 |
| HS568-250 | 5 | 5-1/4 | 3/16 | .208 ^{+0.005} / _{+0.000} | 5.028 ^{+0.000} / _{-.004} | 5.247 ^{+0.000} / _{-.001} | 5.250 ^{+0.002} / _{+0.000} | 18.90 |

FORMERLY LISTED SEALS ARE AVAILABLE ONLINE AT WWW.HERCULESUS.COM
 OR BY CONTACTING YOUR REGIONAL HERCULES SALES TEAM.



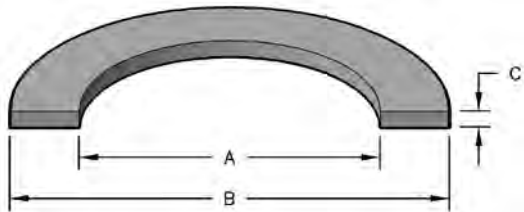
STYLE HS568 HEAD SEALS

| Part Number | A Nom. ID | B Nom. OD | C Nom. Ht | D GROOVE WIDTH | H GROOVE DIAMETER | K HEAD DIAMETER | J BORE DIAMETER | List Price |
|------------------|--------------|--------------|--------------|--|---|---|---|---------------|
| HS568-251 | 5-1/8 | 5-3/8 | 3/16 | .208 ^{+0.005} / _{+0.000} | 5.153 ^{+0.000} / _{-0.004} | 5.372 ^{+0.000} / _{-0.001} | 5.375 ^{+0.002} / _{+0.000} | 18.90 |
| HS568-252 | 5-1/4 | 5-1/2 | 3/16 | .208 ^{+0.005} / _{+0.000} | 5.278 ^{+0.000} / _{-0.004} | 5.497 ^{+0.000} / _{-0.001} | 5.500 ^{+0.002} / _{+0.000} | 18.90 |
| HS568-254 | 5-1/2 | 5-3/4 | 3/16 | .208 ^{+0.005} / _{+0.000} | 5.528 ^{+0.000} / _{-0.004} | 5.747 ^{+0.000} / _{-0.001} | 5.750 ^{+0.002} / _{+0.000} | 27.93 |
| HS568-256 | 5-3/4 | 6 | 3/16 | .208 ^{+0.005} / _{+0.000} | 5.778 ^{+0.000} / _{-0.004} | 5.997 ^{+0.000} / _{-0.001} | 6.000 ^{+0.002} / _{+0.000} | 27.93 |
| 3/16" C/S | | | | | | | | |
| HS568-338 | 3-1/8 | 3-1/2 | 9/32 | .311 ^{+0.005} / _{+0.000} | 3.160 ^{+0.000} / _{-0.004} | 3.497 ^{+0.000} / _{-0.001} | 3.500 ^{+0.002} / _{+0.000} | \$17.31 |
| HS568-342 | 3-5/8 | 4 | 9/32 | .311 ^{+0.005} / _{+0.000} | 3.660 ^{+0.000} / _{-0.004} | 3.997 ^{+0.000} / _{-0.001} | 4.000 ^{+0.002} / _{+0.000} | 18.37 |
| HS568-344 | 3-7/8 | 4-1/4 | 9/32 | .311 ^{+0.005} / _{+0.000} | 3.910 ^{+0.000} / _{-0.004} | 4.247 ^{+0.000} / _{-0.001} | 4.250 ^{+0.002} / _{+0.000} | 18.37 |
| HS568-346 | 4-1/8 | 4-1/2 | 9/32 | .311 ^{+0.005} / _{+0.000} | 4.160 ^{+0.000} / _{-0.004} | 4.497 ^{+0.000} / _{-0.001} | 4.500 ^{+0.002} / _{+0.000} | 18.37 |
| HS568-348 | 4-3/8 | 4-3/4 | 9/32 | .311 ^{+0.005} / _{+0.000} | 4.410 ^{+0.000} / _{-0.004} | 4.747 ^{+0.000} / _{-0.001} | 4.750 ^{+0.002} / _{+0.000} | 18.90 |
| HS568-350 | 4-5/8 | 5 | 9/32 | .311 ^{+0.005} / _{+0.000} | 4.660 ^{+0.000} / _{-0.004} | 4.997 ^{+0.000} / _{-0.001} | 5.000 ^{+0.002} / _{+0.000} | 18.90 |
| HS568-352 | 4-7/8 | 5-1/4 | 9/32 | .311 ^{+0.005} / _{+0.000} | 4.910 ^{+0.000} / _{-0.004} | 5.247 ^{+0.000} / _{-0.001} | 5.250 ^{+0.002} / _{+0.000} | 18.90 |
| HS568-353 | 5 | 5-3/8 | 9/32 | .311 ^{+0.005} / _{+0.000} | 5.035 ^{+0.000} / _{-0.004} | 5.372 ^{+0.000} / _{-0.001} | 5.375 ^{+0.002} / _{+0.000} | 18.90 |
| HS568-354 | 5-1/8 | 5-1/2 | 9/32 | .311 ^{+0.005} / _{+0.000} | 5.160 ^{+0.000} / _{-0.004} | 5.497 ^{+0.000} / _{-0.001} | 5.500 ^{+0.002} / _{+0.000} | 18.90 |
| HS568-356 | 5-3/8 | 5-3/4 | 9/32 | .311 ^{+0.005} / _{+0.000} | 5.410 ^{+0.000} / _{-0.004} | 5.747 ^{+0.000} / _{-0.001} | 5.750 ^{+0.002} / _{+0.000} | 27.93 |
| HS568-358 | 5-5/8 | 6 | 9/32 | .311 ^{+0.005} / _{+0.000} | 5.660 ^{+0.000} / _{-0.004} | 5.997 ^{+0.000} / _{-0.001} | 6.000 ^{+0.002} / _{+0.000} | 27.93 |
| HS568-360 | 5-7/8 | 6-1/4 | 9/32 | .311 ^{+0.005} / _{+0.000} | 5.910 ^{+0.000} / _{-0.004} | 6.247 ^{+0.000} / _{-0.001} | 6.250 ^{+0.002} / _{+0.000} | 27.93 |

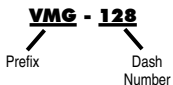
O-RINGS

STYLE VMG FIBER GASKETS

Our style VMG gaskets are used in moderate duty applications as tube end seals and o-ring back-ups. The gaskets are made of a protein and glycerin impregnated fiber.



HERCULES PART NUMBERS



| SEAL INFORMATION | |
|-------------------|-------------------|
| MATERIAL | IMPREGNATED FIBER |
| TEMPERATURE RANGE | MAX 250° F |

FIBER GASKETS

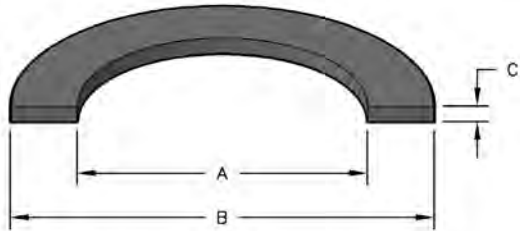
| Part Number | A Nom. ID | B Nom. OD | C Nom. Ht | List Price |
|--------------------|-----------|-----------|-----------|------------|
| VMG-128 | 1-1/2 | 1-11/16 | .031 | \$4.08 |
| VMG-326 | 1-5/8 | 2 | .031 | 2.52 |
| VMG-136 | 2 | 2-3/16 | .031 | 5.54 |
| VMG-144 | 2-1/2 | 2-11/16 | .031 | 5.60 |
| VMG-334 | 2-5/8 | 3 | .031 | 2.68 |
| VMG-2.62X3.87X.030 | 2-5/8 | 3-7/8 | .031 | 7.17 |
| VMG-151 | 3 | 3-3/16 | .031 | 6.01 |
| VMG-238 | 3-1/2 | 3-3/4 | .031 | 4.70 |
| VMG-242 | 4 | 4-1/4 | .031 | 4.76 |
| VMG-247 | 4-5/8 | 4-7/8 | .031 | 4.79 |
| VMG-250 | 5 | 5-1/4 | .031 | 4.80 |
| VMG-258 | 6 | 6-1/4 | .031 | 5.03 |
| VMG-266 | 8 | 8-1/4 | .031 | 5.30 |



STYLE 573 HYTREL BACK-UP RINGS

Molded of 55D Durometer Hytrel, these back-up rings provide excellent extrusion resistance and tolerance to fluids such as phosphate esters, hydraulic oil and water. Stretched for installation, they return quickly to their original size for easy installation.

NOTE: Sizes (Dash No.) correspond to standard o-ring numbers.



HERCULES PART NUMBERS

573 - 006
Prefix Dash Number

SEAL INFORMATION

| | |
|-------------------|---|
| MATERIAL | 55D HYTREL |
| TEMPERATURE RANGE | -65° TO +275° F |
| PRESSURE RANGE | VARIES ACCORDING TO DIAMETRAL CLEARANCE |

BACK-UP RINGS

| Part Number | A Nom. ID | B Nom. OD | C Nom. Ht | th THICKNESS | Package Quantity | List Price |
|------------------|--------------|--------------|--------------|-----------------|---------------------|---------------|
| 1/16" C/S | | | | | | |
| 573-006 | 1/8 | 1/4 | .05 | .045 ±.005 | 10 | \$1.11 |
| 573-009 | 7/32 | 11/32 | .05 | .045 ±.005 | 10 | 1.11 |
| 573-010 | 1/4 | 3/8 | .05 | .045 ±.005 | 10 | 1.11 |
| 573-011 | 5/16 | 7/16 | .05 | .045 ±.005 | 10 | 0.81 |
| 573-012 | 3/8 | 1/2 | .05 | .045 ±.005 | 10 | 0.81 |
| 573-014 | 1/2 | 5/8 | .05 | .050 ±.005 | 10 | 0.78 |
| 573-015 | 9/16 | 11/16 | .05 | .050 ±.005 | 10 | 0.78 |
| 573-016 | 5/8 | 3/4 | .05 | .050 ±.005 | 10 | 0.91 |
| 573-017 | 11/16 | 13/16 | .05 | .050 ±.005 | 10 | 0.91 |
| 573-018 | 3/4 | 7/8 | .05 | .050 ±.005 | 10 | 0.91 |
| 573-019 | 13/16 | 15/16 | .05 | .050 ±.005 | 10 | 0.91 |
| 573-020 | 7/8 | 1 | .05 | .050 ±.005 | 10 | 0.91 |
| 573-021 | 15/16 | 1-1/16 | .05 | .050 ±.005 | 10 | 0.91 |
| 573-022 | 1 | 1-1/8 | .05 | .050 ±.005 | 10 | 0.91 |
| 573-023 | 1-1/16 | 1-3/16 | .05 | .050 ±.005 | 10 | 0.91 |
| 573-024 | 1-1/8 | 1-1/4 | .05 | .050 ±.005 | 10 | 0.91 |
| 573-025 | 1-3/16 | 1-5/16 | .05 | .050 ±.005 | 10 | 0.91 |
| 573-026 | 1-1/4 | 1-3/8 | .05 | .050 ±.005 | 10 | 1.02 |
| 573-027 | 1-5/16 | 1-7/16 | .05 | .050 ±.005 | 10 | 1.02 |
| 573-028 | 1-3/8 | 1-1/2 | .05 | .050 ±.005 | 10 | 1.02 |
| 573-029 | 1-1/2 | 1-5/8 | .05 | .050 ±.005 | 10 | 1.02 |
| 573-030 | 1-5/8 | 1-3/4 | .05 | .050 ±.005 | 10 | 1.02 |
| 573-031 | 1-3/4 | 1-7/8 | .05 | .050 ±.005 | 10 | 1.02 |
| 573-032 | 1-7/8 | 2 | .05 | .050 ±.005 | 10 | 1.02 |
| 573-033 | 2 | 2-1/8 | .05 | .050 ±.005 | 10 | 1.08 |
| 573-034 | 2-1/8 | 2-1/4 | .05 | .050 ±.005 | 10 | 1.08 |
| 573-035 | 2-1/4 | 2-3/8 | .05 | .050 ±.005 | 10 | 1.08 |
| 573-036 | 2-3/8 | 2-1/2 | .05 | .050 ±.005 | 10 | 1.08 |
| 573-037 | 2-1/2 | 2-5/8 | .05 | .050 ±.005 | 10 | 1.08 |
| 573-038 | 2-5/8 | 2-3/4 | .05 | .050 ±.005 | 10 | 1.08 |
| 573-039 | 2-3/4 | 2-7/8 | .05 | .050 ±.005 | 10 | 1.16 |
| 573-040 | 2-7/8 | 3 | .05 | .050 ±.005 | 10 | 1.20 |
| 573-041 | 3 | 3-1/8 | .05 | .050 ±.005 | 10 | 1.41 |
| 573-042 | 3-1/4 | 3-3/8 | .05 | .050 ±.005 | 10 | 1.86 |
| 573-043 | 3-1/2 | 3-5/8 | .05 | .050 ±.005 | 10 | 1.24 |
| 573-044 | 3-3/4 | 3-7/8 | .05 | .050 ±.005 | 2 | 1.73 |
| 573-045 | 4 | 4-1/8 | .05 | .050 ±.005 | 2 | 4.44 |
| 573-048 | 4-3/4 | 4-7/8 | .05 | .050 ±.005 | 2 | 5.81 |
| 573-049 | 5 | 5-1/8 | .05 | .050 ±.005 | 2 | 5.81 |
| 573-050 | 5-1/4 | 5-3/8 | .05 | .050 ±.005 | 2 | 2.11 |

NORTH AMERICA
PHONE 1-800-777-5617
FAX 1-800-759-6391

SALES OFFICE HOURS
8 A.M. TO 7:30 P.M. EASTERN TIME
www.HerculesUS.com

WORLDWIDE
PHONE 1-727-796-1300
FAX 1-727-797-8849



STYLE 573 HYTREL BACK-UP RINGS

BACK-UP RINGS

| Part Number | A Nom. ID | B Nom. OD | C Nom. Ht | th THICKNESS | Package Quantity | List Price |
|------------------|-----------|-----------|-----------|--------------|------------------|------------|
| 3/32" C/S | | | | | | |
| 573-110 | 3/8 | 9/16 | .05 | .050 ±.005 | 10 | \$1.20 |
| 573-111 | 7/16 | 5/8 | .05 | .050 ±.005 | 9 | 0.85 |
| 573-112 | 1/2 | 11/16 | .05 | .050 ±.005 | 9 | 0.85 |
| 573-113 | 9/16 | 3/4 | .05 | .050 ±.005 | 9 | 0.85 |
| 573-114 | 5/8 | 13/16 | .05 | .050 ±.005 | 9 | 0.78 |
| 573-115 | 11/16 | 7/8 | .05 | .050 ±.005 | 9 | 0.78 |
| 573-116 | 3/4 | 15/16 | .05 | .050 ±.005 | 9 | 0.78 |
| 573-117 | 13/16 | 1 | .05 | .050 ±.005 | 9 | 0.85 |
| 573-118 | 7/8 | 1-1/16 | .05 | .050 ±.005 | 9 | 0.85 |
| 573-119 | 15/16 | 1-1/8 | .05 | .050 ±.005 | 9 | 0.85 |
| 573-120 | 1 | 1-3/16 | .05 | .050 ±.005 | 8 | 0.89 |
| 573-122 | 1-1/8 | 1-5/16 | .05 | .050 ±.005 | 8 | 0.89 |
| 573-123 | 1-3/16 | 1-3/8 | .05 | .050 ±.005 | 8 | 0.89 |
| 573-124 | 1-1/4 | 1-7/16 | .05 | .050 ±.005 | 8 | 0.91 |
| 573-125 | 1-5/16 | 1-1/2 | .05 | .050 ±.005 | 8 | 0.91 |
| 573-126 | 1-3/8 | 1-9/16 | .05 | .050 ±.005 | 8 | 1.02 |
| 573-127 | 1-7/16 | 1-5/8 | .05 | .050 ±.005 | 8 | 1.02 |
| 573-128 | 1-1/2 | 1-11/16 | .05 | .050 ±.005 | 8 | 1.02 |
| 573-129 | 1-9/16 | 1-3/4 | .05 | .050 ±.005 | 8 | 1.02 |
| 573-130 | 1-5/8 | 1-13/16 | .05 | .050 ±.005 | 8 | 1.01 |
| 573-131 | 1-11/16 | 1-7/8 | .05 | .050 ±.005 | 8 | 1.02 |
| 573-132 | 1-3/4 | 1-15/16 | .05 | .050 ±.005 | 8 | 1.02 |
| 573-133 | 1-13/16 | 2 | .05 | .050 ±.005 | 8 | 1.02 |
| 573-134 | 1-7/8 | 2-1/16 | .05 | .050 ±.005 | 8 | 1.02 |
| 573-135 | 1-15/16 | 2-1/8 | .05 | .050 ±.005 | 8 | 1.02 |
| 573-136 | 2 | 2-3/16 | .05 | .050 ±.005 | 8 | 1.02 |
| 573-137 | 2-1/16 | 2-1/4 | .05 | .050 ±.005 | 8 | 1.02 |
| 573-138 | 2-1/8 | 2-5/16 | .05 | .050 ±.005 | 8 | 1.02 |
| 573-139 | 2-3/16 | 2-3/8 | .05 | .050 ±.005 | 8 | 1.02 |
| 573-140 | 2-1/4 | 2-7/16 | .05 | .050 ±.005 | 7 | 1.05 |
| 573-141 | 2-5/16 | 2-1/2 | .05 | .050 ±.005 | 7 | 1.05 |
| 573-142 | 2-3/8 | 2-9/16 | .05 | .050 ±.005 | 7 | 1.05 |
| 573-143 | 2-7/16 | 2-5/8 | .05 | .050 ±.005 | 7 | 1.08 |
| 573-144 | 2-1/2 | 2-11/16 | .05 | .050 ±.005 | 6 | 1.16 |
| 573-145 | 2-9/16 | 2-3/4 | .05 | .050 ±.005 | 6 | 1.16 |
| 573-146 | 2-5/8 | 2-13/16 | .05 | .050 ±.005 | 6 | 1.16 |
| 573-147 | 2-11/16 | 2-7/8 | .05 | .050 ±.005 | 6 | 1.16 |
| 573-148 | 2-3/4 | 2-15/16 | .05 | .050 ±.005 | 6 | 1.16 |
| 573-149 | 2-13/16 | 3 | .05 | .050 ±.005 | 6 | 1.16 |
| 573-150 | 2-7/8 | 3-1/16 | .05 | .050 ±.005 | 6 | 3.13 |
| 573-151 | 3 | 3-3/16 | .05 | .050 ±.005 | 6 | 1.20 |
| 573-152 | 3-1/4 | 3-7/16 | .05 | .050 ±.005 | 5 | 2.00 |
| 573-153 | 3-1/2 | 3-11/16 | .05 | .050 ±.005 | 5 | 1.62 |
| 573-154 | 3-3/4 | 3-15/16 | .05 | .050 ±.005 | 3 | 2.50 |
| 573-155 | 4 | 4-3/16 | .05 | .050 ±.005 | 3 | 2.53 |
| 573-156 | 4-1/4 | 4-7/16 | .05 | .050 ±.005 | 5 | 2.64 |
| 573-158 | 4-3/4 | 4-15/16 | .05 | .050 ±.005 | 3 | 2.69 |
| 573-159 | 5 | 5-3/16 | .05 | .050 ±.005 | 3 | 2.75 |
| 573-160 | 5-1/4 | 5-7/16 | .05 | .050 ±.005 | 3 | 7.09 |
| 573-161 | 5-1/2 | 5-11/16 | .05 | .050 ±.005 | 3 | 7.09 |
| 573-162 | 5-3/4 | 5-15/16 | .05 | .050 ±.005 | 3 | 5.14 |
| 573-163 | 6 | 6-3/16 | .05 | .050 ±.005 | 3 | 3.67 |
| 1/8" C/S | | | | | | |
| 573-206 | 1/2 | 3/4 | .05 | .050 ±.005 | 10 | \$0.78 |
| 573-207 | 9/16 | 13/16 | .05 | .050 ±.005 | 10 | 0.78 |
| 573-208 | 5/8 | 7/8 | .05 | .050 ±.005 | 10 | 0.78 |

FORMERLY LISTED SEALS ARE AVAILABLE ONLINE AT WWW.HERCULESUS.COM
OR BY CONTACTING YOUR REGIONAL HERCULES SALES TEAM.



STYLE 573 HYTREL BACK-UP RINGS

BACK-UP RINGS

| Part Number | A Nom. ID | B Nom. OD | C Nom. Ht | th THICKNESS | Package Quantity | List Price |
|-------------|-----------|-----------|-----------|--------------|------------------|------------|
| 573-209 | 11/16 | 15/16 | .05 | .050 ±.005 | 10 | 0.78 |
| 573-210 | 3/4 | 1 | .05 | .050 ±.005 | 9 | 0.85 |
| 573-211 | 13/16 | 1-1/16 | .05 | .050 ±.005 | 9 | 0.85 |
| 573-212 | 7/8 | 1-1/8 | .05 | .050 ±.005 | 9 | 0.85 |
| 573-213 | 15/16 | 1-3/16 | .05 | .050 ±.005 | 9 | 0.85 |
| 573-214 | 1 | 1-1/4 | .05 | .050 ±.005 | 9 | 0.85 |
| 573-215 | 1-1/16 | 1-5/16 | .05 | .050 ±.005 | 9 | 0.89 |
| 573-216 | 1-1/8 | 1-3/8 | .05 | .050 ±.005 | 9 | 0.89 |
| 573-217 | 1-3/16 | 1-7/16 | .05 | .050 ±.005 | 9 | 0.89 |
| 573-218 | 1-1/4 | 1-1/2 | .05 | .050 ±.005 | 9 | 0.89 |
| 573-219 | 1-5/16 | 1-9/16 | .05 | .050 ±.005 | 9 | 0.89 |
| 573-220 | 1-3/8 | 1-5/8 | .05 | .050 ±.005 | 10 | 0.91 |
| 573-221 | 1-7/16 | 1-11/16 | .05 | .050 ±.005 | 10 | 0.91 |
| 573-222 | 1-1/2 | 1-3/4 | .05 | .050 ±.005 | 10 | 0.91 |
| 573-223 | 1-5/8 | 1-7/8 | .05 | .050 ±.005 | 8 | 0.96 |
| 573-224 | 1-3/4 | 2 | .05 | .050 ±.005 | 8 | 0.96 |
| 573-225 | 1-7/8 | 2-1/8 | .05 | .050 ±.005 | 10 | 1.02 |
| 573-226 | 2 | 2-1/4 | .05 | .050 ±.005 | 10 | 1.02 |
| 573-227 | 2-1/8 | 2-3/8 | .05 | .050 ±.005 | 10 | 1.02 |
| 573-228 | 2-1/4 | 2-1/2 | .05 | .050 ±.005 | 10 | 1.02 |
| 573-229 | 2-3/8 | 2-5/8 | .05 | .050 ±.005 | 10 | 1.02 |
| 573-230 | 2-1/2 | 2-3/4 | .05 | .050 ±.005 | 7 | 1.18 |
| 573-231 | 2-5/8 | 2-7/8 | .05 | .050 ±.005 | 7 | 1.18 |
| 573-232 | 2-3/4 | 3 | .05 | .050 ±.005 | 7 | 1.18 |
| 573-233 | 2-7/8 | 3-1/8 | .05 | .050 ±.005 | 7 | 1.18 |
| 573-234 | 3 | 3-1/4 | .05 | .050 ±.005 | 6 | 1.26 |
| 573-235 | 3-1/8 | 3-3/8 | .05 | .050 ±.005 | 6 | 1.26 |
| 573-236 | 3-1/4 | 3-1/2 | .05 | .050 ±.005 | 6 | 1.26 |
| 573-237 | 3-3/8 | 3-5/8 | .05 | .050 ±.005 | 5 | 1.46 |
| 573-238 | 3-1/2 | 3-3/4 | .05 | .050 ±.005 | 5 | 1.46 |
| 573-239 | 3-5/8 | 3-7/8 | .05 | .050 ±.005 | 5 | 1.80 |
| 573-240 | 3-3/4 | 4 | .05 | .050 ±.005 | 5 | 1.83 |
| 573-241 | 3-7/8 | 4-1/8 | .05 | .050 ±.005 | 5 | 1.83 |
| 573-242 | 4 | 4-1/4 | .05 | .050 ±.005 | 5 | 1.83 |
| 573-243 | 4-1/8 | 4-3/8 | .05 | .050 ±.005 | 5 | 1.83 |
| 573-244 | 4-1/4 | 4-1/2 | .05 | .050 ±.005 | 4 | 2.25 |
| 573-245 | 4-3/8 | 4-5/8 | .05 | .050 ±.005 | 4 | 2.25 |
| 573-246 | 4-1/2 | 4-3/4 | .05 | .050 ±.005 | 3 | 2.57 |
| 573-247 | 4-5/8 | 4-7/8 | .05 | .050 ±.005 | 3 | 2.57 |
| 573-248 | 4-3/4 | 5 | .05 | .050 ±.005 | 3 | 2.96 |
| 573-249 | 4-7/8 | 5-1/8 | .05 | .050 ±.005 | 3 | 2.86 |
| 573-250 | 5 | 5-1/4 | .05 | .050 ±.005 | 3 | 2.95 |
| 573-251 | 5-1/8 | 5-3/8 | .05 | .050 ±.005 | 3 | 3.20 |
| 573-252 | 5-1/4 | 5-1/2 | .05 | .050 ±.005 | 3 | 3.34 |
| 573-253 | 5-3/8 | 5-5/8 | .05 | .050 ±.005 | 1 | 3.71 |
| 573-254 | 5-1/2 | 5-3/4 | .05 | .050 ±.005 | 3 | 3.73 |
| 573-255 | 5-5/8 | 5-7/8 | .05 | .050 ±.005 | 2 | 3.85 |
| 573-256 | 5-3/4 | 6 | .05 | .050 ±.005 | 2 | 4.01 |
| 573-257 | 5-7/8 | 6-1/8 | .05 | .050 ±.005 | 2 | 4.26 |
| 573-258 | 6 | 6-1/4 | .05 | .050 ±.005 | 2 | 4.36 |
| 573-259 | 6-1/4 | 6-1/2 | .05 | .050 ±.005 | 2 | 4.36 |
| 573-260 | 6-1/2 | 6-3/4 | .05 | .050 ±.005 | 2 | 4.55 |
| 573-261 | 6-3/4 | 7 | .05 | .050 ±.005 | 2 | 4.76 |
| 573-262 | 7 | 7-1/4 | .05 | .050 ±.005 | 2 | 4.82 |
| 573-263 | 7-1/4 | 7-1/2 | .05 | .050 ±.005 | 2 | 5.07 |
| 573-264 | 7-1/2 | 7-3/4 | .05 | .050 ±.005 | 2 | 5.41 |
| 573-265 | 7-3/4 | 8 | .05 | .050 ±.005 | 2 | 5.69 |

STYLE 573 HYTREL BACK-UP RINGS

| Part Number | A Nom. ID | B Nom. OD | C Nom. Ht | th THICKNESS | Package Quantity | List Price |
|------------------|-----------|-----------|-----------|--------------|------------------|------------|
| 573-266 | 8 | 8-1/4 | .05 | .050 ±.005 | 2 | 6.63 |
| 573-267 | 8-1/4 | 8-1/2 | .05 | .050 ±.005 | 2 | 6.72 |
| 573-268 | 8-1/2 | 8-3/4 | .05 | .050 ±.005 | 2 | 6.89 |
| 573-269 | 8-3/4 | 9 | .05 | .050 ±.005 | 2 | 6.89 |
| 573-272 | 9-1/2 | 9-3/4 | .05 | .050 ±.005 | 1 | 7.34 |
| 573-273 | 9-3/4 | 10 | .05 | .050 ±.005 | 1 | 7.44 |
| 573-275 | 10-1/2 | 10-3/4 | .05 | .050 ±.005 | 1 | 7.80 |
| 573-276 | 11 | 11-1/4 | .05 | .050 ±.005 | 1 | 7.87 |
| 573-278 | 12 | 12-1/4 | .05 | .050 ±.005 | 1 | 7.94 |
| 3/16" C/S | | | | | | |
| 573-312 | 5/8 | 1 | .07 | .070 ±.006 | 9 | \$0.85 |
| 573-314 | 3/4 | 1-1/8 | .07 | .070 ±.006 | 8 | 0.89 |
| 573-316 | 7/8 | 1-1/4 | .07 | .070 ±.006 | 8 | 0.89 |
| 573-318 | 1 | 1-3/8 | .07 | .070 ±.006 | 8 | 0.89 |
| 573-319 | 1-1/16 | 1-7/16 | .07 | .070 ±.006 | 8 | 1.18 |
| 573-320 | 1-1/8 | 1-1/2 | .07 | .070 ±.006 | 8 | 0.89 |
| 573-322 | 1-1/4 | 1-5/8 | .07 | .070 ±.006 | 8 | 0.89 |
| 573-323 | 1-5/16 | 1-11/16 | .07 | .070 ±.006 | 8 | 1.28 |
| 573-324 | 1-3/8 | 1-3/4 | .07 | .070 ±.006 | 8 | 0.96 |
| 573-325 | 1-1/2 | 1-7/8 | .07 | .070 ±.006 | 8 | 0.96 |
| 573-326 | 1-5/8 | 2 | .07 | .070 ±.006 | 8 | 1.02 |
| 573-327 | 1-3/4 | 2-1/8 | .07 | .070 ±.006 | 8 | 1.02 |
| 573-328 | 1-7/8 | 2-1/4 | .07 | .070 ±.006 | 8 | 1.18 |
| 573-329 | 2 | 2-3/8 | .07 | .070 ±.006 | 8 | 1.02 |
| 573-330 | 2-1/8 | 2-1/2 | .07 | .070 ±.006 | 8 | 1.02 |
| 573-331 | 2-1/4 | 2-5/8 | .07 | .070 ±.006 | 8 | 1.02 |
| 573-332 | 2-3/8 | 2-3/4 | .07 | .070 ±.006 | 8 | 1.05 |
| 573-333 | 2-1/2 | 2-7/8 | .07 | .070 ±.006 | 8 | 1.05 |
| 573-334 | 2-5/8 | 3 | .07 | .070 ±.006 | 7 | 1.08 |
| 573-335 | 2-3/4 | 3-1/8 | .07 | .070 ±.006 | 7 | 1.18 |
| 573-336 | 2-7/8 | 3-1/4 | .07 | .070 ±.006 | 7 | 1.18 |
| 573-337 | 3 | 3-3/8 | .07 | .070 ±.006 | 7 | 1.24 |
| 573-338 | 3-1/8 | 3-1/2 | .07 | .070 ±.006 | 7 | 1.24 |
| 573-339 | 3-1/4 | 3-5/8 | .07 | .070 ±.006 | 6 | 1.30 |
| 573-340 | 3-3/8 | 3-3/4 | .07 | .070 ±.006 | 6 | 1.41 |
| 573-341 | 3-1/2 | 3-7/8 | .07 | .070 ±.006 | 6 | 1.41 |
| 573-342 | 3-5/8 | 4 | .07 | .070 ±.006 | 5 | 1.49 |
| 573-343 | 3-3/4 | 4-1/8 | .07 | .070 ±.006 | 5 | 1.69 |
| 573-344 | 3-7/8 | 4-1/4 | .07 | .070 ±.006 | 4 | 1.89 |
| 573-345 | 4 | 4-3/8 | .07 | .070 ±.006 | 4 | 2.09 |
| 573-346 | 4-1/8 | 4-1/2 | .07 | .070 ±.006 | 4 | 2.23 |
| 573-347 | 4-1/4 | 4-5/8 | .07 | .070 ±.006 | 4 | 2.32 |
| 573-348 | 4-3/8 | 4-3/4 | .07 | .070 ±.006 | 4 | 2.47 |
| 573-350 | 4-5/8 | 5 | .07 | .070 ±.006 | 3 | 2.65 |
| 573-351 | 4-3/4 | 5-1/8 | .07 | .070 ±.006 | 3 | 2.95 |
| 573-352 | 4-7/8 | 5-1/4 | .07 | .070 ±.006 | 3 | 3.02 |
| 573-353 | 5 | 5-3/8 | .07 | .070 ±.006 | 3 | 3.04 |
| 573-354 | 5-1/8 | 5-1/2 | .07 | .070 ±.006 | 3 | 3.16 |
| 573-355 | 5-1/4 | 5-5/8 | .07 | .070 ±.006 | 3 | 3.34 |
| 573-356 | 5-3/8 | 5-3/4 | .07 | .070 ±.006 | 3 | 3.50 |
| 573-357 | 5-1/2 | 5-7/8 | .07 | .070 ±.006 | 2 | 3.81 |
| 573-358 | 5-5/8 | 6 | .07 | .070 ±.006 | 2 | 3.81 |
| 573-359 | 5-3/4 | 6-1/8 | .07 | .070 ±.006 | 2 | 4.60 |
| 573-360 | 5-7/8 | 6-1/4 | .07 | .070 ±.006 | 2 | 4.22 |
| 573-361 | 6 | 6-3/8 | .07 | .070 ±.006 | 2 | 4.50 |
| 573-362 | 6-1/4 | 6-5/8 | .07 | .070 ±.006 | 1 | 4.50 |
| 573-363 | 6-1/2 | 6-7/8 | .07 | .070 ±.006 | 2 | 4.50 |

BACK-UP RINGS



STYLE 573 HYTREL BACK-UP RINGS

BACK-UP RINGS

| Part Number | A Nom. ID | B Nom. OD | C Nom. Ht | th THICKNESS | Package Quantity | List Price |
|-----------------|-----------|-----------|-----------|--------------|------------------|------------|
| 573-364 | 6-3/4 | 7-1/8 | .07 | .070 ±.006 | 2 | 4.50 |
| 573-366 | 7-1/4 | 7-5/8 | .07 | .070 ±.006 | 2 | 4.50 |
| 573-367 | 7-1/2 | 7-7/8 | .07 | .070 ±.006 | 2 | 4.50 |
| 573-368 | 7-3/4 | 8-1/8 | .07 | .070 ±.006 | 2 | 4.50 |
| 573-370 | 8-1/4 | 8-5/8 | .07 | .070 ±.006 | 2 | 4.77 |
| 573-372 | 8-3/4 | 9-1/8 | .07 | .070 ±.006 | 1 | 5.07 |
| 573-375 | 9-1/2 | 9-7/8 | .07 | .070 ±.006 | 2 | 6.53 |
| 573-376 | 9-3/4 | 10-1/8 | .07 | .070 ±.004 | 1 | 28.83 |
| 1/4" C/S | | | | | | |
| 573-425 | 4-1/2 | 5 | .105 | .105 ±.006 | 3 | \$2.75 |
| 573-426 | 4-5/8 | 5-1/8 | .105 | .105 ±.006 | 3 | 3.20 |
| 573-427 | 4-3/4 | 5-1/4 | .105 | .105 ±.006 | 3 | 3.51 |
| 573-428 | 4-7/8 | 5-3/8 | .105 | .105 ±.006 | 3 | 3.57 |
| 573-429 | 5 | 5-1/2 | .105 | .105 ±.006 | 3 | 3.57 |
| 573-430 | 5-1/8 | 5-5/8 | .105 | .105 ±.006 | 3 | 3.59 |
| 573-431 | 5-1/4 | 5-3/4 | .105 | .105 ±.006 | 3 | 3.67 |
| 573-432 | 5-3/8 | 5-7/8 | .105 | .105 ±.006 | 2 | 3.81 |
| 573-433 | 5-1/2 | 6 | .105 | .105 ±.006 | 2 | 3.98 |
| 573-434 | 5-5/8 | 6-1/8 | .105 | .105 ±.006 | 2 | 4.17 |
| 573-435 | 5-3/4 | 6-1/4 | .105 | .105 ±.006 | 2 | 4.30 |
| 573-436 | 5-7/8 | 6-3/8 | .105 | .105 ±.006 | 2 | 6.20 |
| 573-437 | 6 | 6-1/2 | .105 | .105 ±.006 | 2 | 4.46 |
| 573-438 | 6-1/4 | 6-3/4 | .105 | .105 ±.006 | 2 | 4.53 |
| 573-439 | 6-1/2 | 7 | .105 | .105 ±.006 | 2 | 4.68 |
| 573-440 | 6-3/4 | 7-1/4 | .105 | .105 ±.006 | 2 | 5.02 |
| 573-441 | 7 | 7-1/2 | .105 | .105 ±.006 | 2 | 5.26 |
| 573-442 | 7-1/4 | 7-3/4 | .105 | .105 ±.006 | 2 | 5.51 |
| 573-443 | 7-1/2 | 8 | .105 | .105 ±.006 | 2 | 6.53 |
| 573-444 | 7-3/4 | 8-1/4 | .105 | .105 ±.006 | 1 | 8.67 |
| 573-445 | 8 | 8-1/2 | .105 | .105 ±.006 | 1 | 8.39 |
| 573-446 | 8-1/2 | 9 | .105 | .105 ±.006 | 1 | 11.21 |
| 573-447 | 9 | 9-1/2 | .105 | .105 ±.006 | 1 | 11.64 |
| 573-448 | 9-1/2 | 10 | .105 | .105 ±.006 | 1 | 11.83 |
| 573-450 | 10-1/2 | 11 | .105 | .105 ±.006 | 1 | 12.82 |
| 573-451 | 11 | 11-1/2 | .105 | .105 ±.006 | 1 | 12.73 |
| 573-452 | 11-1/2 | 12 | .105 | .105 ±.006 | 1 | 12.73 |
| 573-453 | 12 | 12-1/2 | .105 | .105 ±.006 | 1 | 12.73 |
| 573-454 | 12-1/2 | 13 | .105 | .105 ±.006 | 1 | 12.73 |
| 573-455 | 13 | 13-1/2 | .105 | .105 ±.006 | 1 | 12.82 |
| 573-456 | 13-1/2 | 14 | .105 | .105 ±.006 | 1 | 12.73 |

Seal color may vary.

NORTH AMERICA
PHONE 1-800-777-5617
FAX 1-800-759-6391

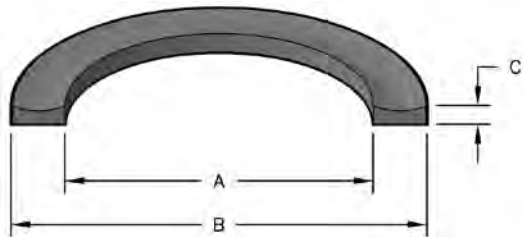
SALES OFFICE HOURS
8 A.M. TO 7:30 P.M. EASTERN TIME
www.HerculesUS.com

WORLDWIDE
PHONE 1-727-796-1300
FAX 1-727-797-8849

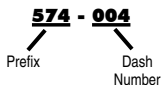
STYLE 574 BUNA-N BACK-UP RINGS

Molded of 90A Durometer Buna-N Rubber, these "Parback®" Style Dished Cross Section back-up rings provide excellent extrusion resistance. Stretched for installation, they return quickly to their original size for easy installation.

NOTE: Sizes (Dash No.) correspond to standard o-ring numbers.



HERCULES PART NUMBERS



| SEAL INFORMATION | |
|-------------------|---|
| MATERIAL | 90A BUNA-N RUBBER |
| TEMPERATURE RANGE | -40° TO +240° F |
| PRESSURE RANGE | VARIABLE ACCORDING TO DIAMETRAL CLEARANCE |

BACK-UP RINGS

| Part Number | A Nom. ID | B Nom. OD | C Nom. Ht | th THICKNESS | Package Quantity | List Price |
|------------------|-----------|-----------|-----------|--------------|------------------|------------|
| 1/16" C/S | | | | | | |
| 574-004 | 5/64 | 13/64 | .049 | .045 ±.003 | 25 | \$0.39 |
| 574-005 | 3/32 | 7/32 | .049 | .045 ±.003 | 25 | 0.39 |
| 574-006 | 1/8 | 1/4 | .049 | .045 ±.003 | 25 | 0.32 |
| 574-007 | 5/32 | 9/32 | .049 | .045 ±.003 | 25 | 0.30 |
| 574-008 | 3/16 | 5/16 | .049 | .045 ±.003 | 25 | 0.32 |
| 574-009 | 7/32 | 11/32 | .049 | .045 ±.003 | 25 | 0.32 |
| 574-010 | 1/4 | 3/8 | .049 | .045 ±.003 | 25 | 0.32 |
| 574-011 | 5/16 | 7/16 | .049 | .045 ±.003 | 25 | 0.32 |
| 574-012 | 3/8 | 1/2 | .049 | .045 ±.003 | 25 | 0.34 |
| 574-013 | 7/16 | 9/16 | .049 | .045 ±.003 | 25 | 0.35 |
| 574-014 | 1/2 | 5/8 | .049 | .045 ±.003 | 25 | 0.35 |
| 574-015 | 9/16 | 11/16 | .049 | .045 ±.003 | 25 | 0.38 |
| 574-016 | 5/8 | 3/4 | .049 | .045 ±.003 | 25 | 0.38 |
| 574-017 | 11/16 | 13/16 | .049 | .045 ±.003 | 25 | 0.38 |
| 574-018 | 3/4 | 7/8 | .049 | .045 ±.003 | 25 | 0.39 |
| 574-019 | 13/16 | 15/16 | .049 | .045 ±.003 | 25 | 0.39 |
| 574-020 | 7/8 | 1 | .049 | .045 ±.003 | 25 | 0.41 |
| 574-021 | 15/16 | 1-1/16 | .049 | .045 ±.003 | 25 | 0.43 |
| 574-022 | 1 | 1-1/8 | .049 | .045 ±.003 | 25 | 0.43 |
| 574-023 | 1-1/16 | 1-3/16 | .049 | .045 ±.003 | 25 | 0.47 |
| 574-024 | 1-1/8 | 1-1/4 | .049 | .045 ±.003 | 25 | 0.48 |
| 574-025 | 1-3/16 | 1-5/16 | .049 | .045 ±.003 | 25 | 0.48 |
| 574-026 | 1-1/4 | 1-3/8 | .049 | .045 ±.003 | 25 | 0.51 |
| 574-027 | 1-5/16 | 1-7/16 | .049 | .045 ±.003 | 25 | 0.54 |
| 574-028 | 1-3/8 | 1-1/2 | .049 | .045 ±.003 | 10 | 0.54 |
| 574-029 | 1-1/2 | 1-5/8 | .049 | .045 ±.003 | 10 | 0.58 |
| 574-030 | 1-5/8 | 1-3/4 | .049 | .045 ±.003 | 10 | 0.62 |
| 574-031 | 1-3/4 | 1-7/8 | .049 | .045 ±.003 | 10 | 0.64 |
| 574-032 | 1-7/8 | 2 | .049 | .045 ±.003 | 10 | 0.66 |
| 574-033 | 2 | 2-1/8 | .049 | .045 ±.003 | 10 | 0.73 |
| 574-034 | 2-1/8 | 2-1/4 | .049 | .045 ±.003 | 10 | 0.86 |
| 574-035 | 2-1/4 | 2-3/8 | .049 | .045 ±.003 | 10 | 0.86 |
| 574-036 | 2-3/8 | 2-1/2 | .049 | .045 ±.003 | 10 | 0.91 |
| 574-037 | 2-1/2 | 2-5/8 | .049 | .045 ±.003 | 10 | 0.93 |
| 574-038 | 2-5/8 | 2-3/4 | .049 | .045 ±.003 | 10 | 0.97 |
| 574-039 | 2-3/4 | 2-7/8 | .049 | .045 ±.003 | 10 | 1.05 |
| 574-040 | 2-7/8 | 3 | .049 | .045 ±.003 | 10 | 1.21 |
| 574-041 | 3 | 3-1/8 | .049 | .045 ±.003 | 10 | 1.49 |
| 574-042 | 3-1/4 | 3-3/8 | .049 | .045 ±.003 | 10 | 1.49 |
| 574-043 | 3-1/2 | 3-5/8 | .049 | .045 ±.003 | 10 | 1.49 |

FORMERLY LISTED SEALS ARE AVAILABLE ONLINE AT WWW.HERCULESUS.COM
 OR BY CONTACTING YOUR REGIONAL HERCULES SALES TEAM.



STYLE 574 BUNA-N BACK-UP RINGS

BACK-UP RINGS

| Part Number | A Nom. ID | B Nom. OD | C Nom. Ht | th THICKNESS | Package Quantity | List Price |
|------------------|-----------|-----------|-----------|--------------|------------------|------------|
| 574-044 | 3-3/4 | 3-7/8 | .049 | .045 ±.003 | 5 | 2.08 |
| 574-045 | 4 | 4-1/8 | .049 | .045 ±.003 | 5 | 2.08 |
| 574-046 | 4-1/4 | 4-3/8 | .049 | .045 ±.003 | 5 | 2.23 |
| 574-047 | 4-1/2 | 4-5/8 | .049 | .045 ±.003 | 5 | 2.23 |
| 574-048 | 4-3/4 | 4-7/8 | .049 | .045 ±.003 | 5 | 2.54 |
| 574-049 | 5 | 5-1/8 | .049 | .045 ±.003 | 5 | 2.54 |
| 574-050 | 5-1/4 | 5-3/8 | .049 | .045 ±.003 | 5 | 2.54 |
| 3/32" C/S | | | | | | |
| 574-102 | 1/16 | 1/4 | .053 | .045 ±.003 | 25 | \$0.32 |
| 574-103 | 3/32 | 9/32 | .053 | .045 ±.003 | 25 | 0.32 |
| 574-104 | 1/8 | 5/16 | .053 | .045 ±.003 | 25 | 0.32 |
| 574-105 | 5/32 | 11/32 | .053 | .045 ±.003 | 25 | 0.32 |
| 574-106 | 3/16 | 3/8 | .053 | .045 ±.003 | 25 | 0.32 |
| 574-107 | 7/32 | 13/32 | .053 | .045 ±.003 | 25 | 0.32 |
| 574-108 | 1/4 | 7/16 | .053 | .045 ±.003 | 25 | 0.32 |
| 574-109 | 5/16 | 1/2 | .053 | .045 ±.003 | 25 | 0.34 |
| 574-110 | 3/8 | 9/16 | .053 | .045 ±.003 | 25 | 0.34 |
| 574-111 | 7/16 | 5/8 | .053 | .045 ±.003 | 25 | 0.34 |
| 574-112 | 1/2 | 11/16 | .053 | .045 ±.003 | 25 | 0.34 |
| 574-113 | 9/16 | 3/4 | .053 | .045 ±.003 | 25 | 0.35 |
| 574-114 | 5/8 | 13/16 | .053 | .045 ±.003 | 25 | 0.35 |
| 574-115 | 11/16 | 7/8 | .053 | .045 ±.003 | 25 | 0.35 |
| 574-116 | 3/4 | 15/16 | .053 | .045 ±.003 | 25 | 0.38 |
| 574-117 | 13/16 | 1 | .053 | .045 ±.003 | 25 | 0.39 |
| 574-118 | 7/8 | 1-1/16 | .053 | .045 ±.003 | 25 | 0.41 |
| 574-119 | 15/16 | 1-1/8 | .053 | .045 ±.003 | 25 | 0.41 |
| 574-120 | 1 | 1-3/16 | .053 | .045 ±.003 | 25 | 0.43 |
| 574-121 | 1-1/16 | 1-1/4 | .053 | .045 ±.003 | 25 | 0.47 |
| 574-122 | 1-1/8 | 1-5/16 | .053 | .045 ±.003 | 25 | 0.48 |
| 574-123 | 1-3/16 | 1-3/8 | .053 | .045 ±.003 | 25 | 0.48 |
| 574-124 | 1-1/4 | 1-7/16 | .053 | .045 ±.003 | 25 | 0.51 |
| 574-125 | 1-5/16 | 1-1/2 | .053 | .045 ±.003 | 25 | 0.53 |
| 574-126 | 1-3/8 | 1-9/16 | .053 | .045 ±.003 | 10 | 0.58 |
| 574-127 | 1-7/16 | 1-5/8 | .053 | .045 ±.003 | 10 | 0.57 |
| 574-128 | 1-1/2 | 1-11/16 | .053 | .045 ±.003 | 10 | 0.58 |
| 574-129 | 1-9/16 | 1-3/4 | .053 | .045 ±.003 | 10 | 0.60 |
| 574-130 | 1-5/8 | 1-13/16 | .053 | .045 ±.003 | 10 | 0.62 |
| 574-131 | 1-11/16 | 1-7/8 | .053 | .045 ±.003 | 10 | 0.64 |
| 574-132 | 1-3/4 | 1-15/16 | .053 | .045 ±.003 | 10 | 0.64 |
| 574-133 | 1-13/16 | 2 | .053 | .045 ±.003 | 10 | 0.66 |
| 574-134 | 1-7/8 | 2-1/16 | .053 | .045 ±.003 | 10 | 0.67 |
| 574-135 | 1-15/16 | 2-1/8 | .053 | .045 ±.003 | 10 | 0.67 |
| 574-136 | 2 | 2-3/16 | .053 | .045 ±.003 | 10 | 0.73 |
| 574-137 | 2-1/16 | 2-1/4 | .053 | .045 ±.003 | 10 | 0.73 |
| 574-138 | 2-1/8 | 2-5/16 | .053 | .045 ±.003 | 10 | 0.83 |
| 574-139 | 2-3/16 | 2-3/8 | .053 | .045 ±.003 | 10 | 0.84 |
| 574-140 | 2-1/4 | 2-7/16 | .053 | .045 ±.003 | 10 | 0.86 |
| 574-141 | 2-5/16 | 2-1/2 | .053 | .045 ±.003 | 10 | 0.86 |
| 574-142 | 2-3/8 | 2-9/16 | .053 | .045 ±.003 | 10 | 0.91 |
| 574-143 | 2-7/16 | 2-5/8 | .053 | .045 ±.003 | 10 | 0.93 |
| 574-144 | 2-1/2 | 2-11/16 | .053 | .045 ±.003 | 10 | 0.95 |
| 574-145 | 2-9/16 | 2-3/4 | .053 | .045 ±.003 | 10 | 0.95 |
| 574-146 | 2-5/8 | 2-13/16 | .053 | .045 ±.003 | 10 | 0.99 |
| 574-147 | 2-11/16 | 2-7/8 | .053 | .045 ±.003 | 10 | 1.01 |
| 574-148 | 2-3/4 | 2-15/16 | .053 | .045 ±.003 | 10 | 1.01 |
| 574-149 | 2-13/16 | 3 | .053 | .045 ±.003 | 10 | 1.02 |
| 574-150 | 2-7/8 | 3-1/16 | .053 | .045 ±.003 | 10 | 1.15 |



STYLE 574 BUNA-N BACK-UP RINGS

BACK-UP RINGS

| Part Number | A Nom. ID | B Nom. OD | C Nom. Ht | th THICKNESS | Package Quantity | List Price |
|-----------------|-----------|-----------|-----------|--------------|------------------|------------|
| 574-151 | 3 | 3-3/16 | .053 | .045 ±.003 | 10 | 1.25 |
| 574-152 | 3-1/4 | 3-7/16 | .053 | .045 ±.003 | 5 | 1.69 |
| 574-153 | 3-1/2 | 3-11/16 | .053 | .045 ±.003 | 5 | 1.93 |
| 574-154 | 3-3/4 | 3-15/16 | .053 | .045 ±.003 | 5 | 2.34 |
| 574-155 | 4 | 4-3/16 | .053 | .045 ±.003 | 5 | 2.58 |
| 574-156 | 4-1/4 | 4-7/16 | .053 | .045 ±.003 | 5 | 3.03 |
| 574-157 | 4-1/2 | 4-11/16 | .053 | .045 ±.003 | 5 | 3.06 |
| 574-158 | 4-3/4 | 4-15/16 | .053 | .045 ±.003 | 5 | 3.24 |
| 574-159 | 5 | 5-3/16 | .053 | .045 ±.003 | 1 | 3.31 |
| 574-160 | 5-1/4 | 5-7/16 | .053 | .045 ±.003 | 1 | 3.38 |
| 574-161 | 5-1/2 | 5-11/16 | .053 | .045 ±.003 | 1 | 3.47 |
| 574-162 | 5-3/4 | 5-15/16 | .053 | .045 ±.003 | 1 | 3.55 |
| 574-163 | 6 | 6-3/16 | .053 | .045 ±.003 | 1 | 4.42 |
| 574-164 | 6-1/4 | 6-7/16 | .053 | .045 ±.003 | 1 | 4.42 |
| 574-165 | 6-1/2 | 6-11/16 | .053 | .045 ±.003 | 1 | 4.42 |
| 574-166 | 6-3/4 | 6-15/16 | .053 | .045 ±.003 | 1 | 4.42 |
| 574-167 | 7 | 7-3/16 | .053 | .045 ±.003 | 1 | 4.42 |
| 574-168 | 7-1/4 | 7-7/16 | .053 | .045 ±.003 | 1 | 4.42 |
| 574-169 | 7-1/2 | 7-11/16 | .053 | .045 ±.003 | 1 | 5.38 |
| 574-170 | 7-3/4 | 7-15/16 | .053 | .045 ±.003 | 1 | 5.66 |
| 574-171 | 8 | 8-3/16 | .053 | .045 ±.003 | 1 | 6.20 |
| 574-172 | 8-1/4 | 8-7/16 | .053 | .045 ±.003 | 1 | 4.66 |
| 574-173 | 8-1/2 | 8-11/16 | .053 | .045 ±.003 | 1 | 6.14 |
| 574-174 | 8-3/4 | 8-15/16 | .053 | .045 ±.003 | 1 | 4.66 |
| 574-175 | 9 | 9-3/16 | .053 | .045 ±.003 | 1 | 4.85 |
| 574-176 | 9-1/4 | 9-7/16 | .053 | .045 ±.003 | 1 | 7.31 |
| 574-177 | 9-1/2 | 9-11/16 | .053 | .045 ±.003 | 1 | 7.56 |
| 574-178 | 9-3/4 | 9-15/16 | .053 | .045 ±.003 | 1 | 7.78 |
| 1/8" C/S | | | | | | |
| 574-202 | 1/4 | 1/2 | .05 | .040 ±.003 | 25 | \$0.33 |
| 574-205 | 7/16 | 11/16 | .05 | .040 ±.003 | 25 | 0.35 |
| 574-206 | 1/2 | 3/4 | .05 | .040 ±.003 | 25 | 0.35 |
| 574-207 | 9/16 | 13/16 | .05 | .040 ±.003 | 25 | 0.35 |
| 574-208 | 5/8 | 7/8 | .05 | .040 ±.003 | 25 | 0.38 |
| 574-209 | 11/16 | 15/16 | .05 | .040 ±.003 | 25 | 0.38 |
| 574-210 | 3/4 | 1 | .05 | .040 ±.003 | 25 | 0.38 |
| 574-211 | 13/16 | 1-1/16 | .05 | .040 ±.003 | 25 | 0.39 |
| 574-212 | 7/8 | 1-1/8 | .05 | .040 ±.003 | 25 | 0.41 |
| 574-213 | 15/16 | 1-3/16 | .05 | .040 ±.003 | 25 | 0.41 |
| 574-214 | 1 | 1-1/4 | .05 | .040 ±.003 | 25 | 0.43 |
| 574-215 | 1-1/16 | 1-5/16 | .05 | .040 ±.003 | 25 | 0.43 |
| 574-216 | 1-1/8 | 1-3/8 | .05 | .040 ±.003 | 25 | 0.47 |
| 574-217 | 1-3/16 | 1-7/16 | .05 | .040 ±.003 | 25 | 0.48 |
| 574-218 | 1-1/4 | 1-1/2 | .05 | .040 ±.003 | 10 | 0.48 |
| 574-219 | 1-5/16 | 1-9/16 | .05 | .040 ±.003 | 10 | 0.53 |
| 574-220 | 1-3/8 | 1-5/8 | .05 | .040 ±.003 | 10 | 0.57 |
| 574-221 | 1-7/16 | 1-11/16 | .05 | .040 ±.003 | 10 | 0.55 |
| 574-222 | 1-1/2 | 1-3/4 | .05 | .040 ±.003 | 10 | 0.58 |
| 574-223 | 1-5/8 | 1-7/8 | .05 | .040 ±.003 | 10 | 0.62 |
| 574-224 | 1-3/4 | 2 | .05 | .040 ±.003 | 10 | 0.67 |
| 574-225 | 1-7/8 | 2-1/8 | .05 | .040 ±.003 | 10 | 0.73 |
| 574-226 | 2 | 2-1/4 | .05 | .040 ±.003 | 10 | 0.81 |
| 574-227 | 2-1/8 | 2-3/8 | .05 | .040 ±.003 | 10 | 0.86 |
| 574-228 | 2-1/4 | 2-1/2 | .05 | .040 ±.003 | 10 | 0.91 |
| 574-229 | 2-3/8 | 2-5/8 | .05 | .040 ±.003 | 10 | 0.96 |
| 574-230 | 2-1/2 | 2-3/4 | .05 | .040 ±.003 | 10 | 0.99 |
| 574-231 | 2-5/8 | 2-7/8 | .05 | .040 ±.003 | 10 | 1.05 |

FORMERLY LISTED SEALS ARE AVAILABLE ONLINE AT WWW.HERCULESUS.COM
OR BY CONTACTING YOUR REGIONAL HERCULES SALES TEAM.



STYLE 574 BUNA-N BACK-UP RINGS

BACK-UP RINGS

| Part Number | A Nom. ID | B Nom. OD | C Nom. Ht | th THICKNESS | Package Quantity | List Price |
|------------------|-----------|-----------|-----------|--------------|------------------|------------|
| 574-232 | 2-3/4 | 3 | .05 | .040 ±.003 | 10 | 1.19 |
| 574-233 | 2-7/8 | 3-1/8 | .05 | .040 ±.003 | 10 | 1.20 |
| 574-234 | 3 | 3-1/4 | .05 | .040 ±.003 | 10 | 1.29 |
| 574-235 | 3-1/8 | 3-3/8 | .05 | .040 ±.003 | 10 | 1.43 |
| 574-236 | 3-1/4 | 3-1/2 | .05 | .040 ±.003 | 10 | 1.44 |
| 574-237 | 3-3/8 | 3-5/8 | .05 | .040 ±.003 | 10 | 1.45 |
| 574-238 | 3-1/2 | 3-3/4 | .05 | .040 ±.003 | 10 | 1.49 |
| 574-239 | 3-5/8 | 3-7/8 | .05 | .040 ±.003 | 10 | 1.49 |
| 574-240 | 3-3/4 | 4 | .05 | .040 ±.003 | 5 | 1.66 |
| 574-241 | 3-7/8 | 4-1/8 | .05 | .040 ±.003 | 5 | 1.69 |
| 574-242 | 4 | 4-1/4 | .05 | .040 ±.003 | 5 | 2.21 |
| 574-243 | 4-1/8 | 4-3/8 | .05 | .040 ±.003 | 5 | 1.93 |
| 574-244 | 4-1/4 | 4-1/2 | .05 | .040 ±.003 | 5 | 1.80 |
| 574-245 | 4-3/8 | 4-5/8 | .05 | .040 ±.003 | 5 | 2.06 |
| 574-246 | 4-1/2 | 4-3/4 | .05 | .040 ±.003 | 5 | 2.23 |
| 574-247 | 4-5/8 | 4-7/8 | .05 | .040 ±.003 | 5 | 2.34 |
| 574-248 | 4-3/4 | 5 | .05 | .040 ±.003 | 5 | 2.48 |
| 574-249 | 4-7/8 | 5-1/8 | .05 | .040 ±.003 | 5 | 2.52 |
| 574-250 | 5 | 5-1/4 | .05 | .040 ±.003 | 5 | 2.79 |
| 574-251 | 5-1/8 | 5-3/8 | .05 | .040 ±.003 | 5 | 2.93 |
| 574-252 | 5-1/4 | 5-1/2 | .05 | .040 ±.003 | 5 | 3.15 |
| 574-253 | 5-3/8 | 5-5/8 | .05 | .040 ±.003 | 5 | 3.24 |
| 574-254 | 5-1/2 | 5-3/4 | .05 | .040 ±.003 | 1 | 3.45 |
| 574-255 | 5-5/8 | 5-7/8 | .05 | .040 ±.003 | 1 | 3.47 |
| 574-256 | 5-3/4 | 6 | .05 | .040 ±.003 | 1 | 3.71 |
| 574-257 | 5-7/8 | 6-1/8 | .05 | .040 ±.003 | 1 | 3.81 |
| 574-258 | 6 | 6-1/4 | .05 | .040 ±.003 | 1 | 3.94 |
| 574-259 | 6-1/4 | 6-1/2 | .05 | .040 ±.003 | 1 | 4.18 |
| 574-260 | 6-1/2 | 6-3/4 | .05 | .040 ±.003 | 1 | 4.26 |
| 574-261 | 6-3/4 | 7 | .05 | .040 ±.003 | 1 | 4.52 |
| 574-262 | 7 | 7-1/4 | .05 | .040 ±.003 | 1 | 4.93 |
| 574-263 | 7-1/4 | 7-1/2 | .05 | .040 ±.003 | 1 | 5.19 |
| 574-264 | 7-1/2 | 7-3/4 | .05 | .040 ±.003 | 1 | 5.94 |
| 574-265 | 7-3/4 | 8 | .05 | .040 ±.003 | 1 | 6.01 |
| 574-266 | 8 | 8-1/4 | .05 | .040 ±.003 | 1 | 6.35 |
| 574-267 | 8-1/4 | 8-1/2 | .05 | .040 ±.003 | 1 | 6.63 |
| 574-268 | 8-1/2 | 8-3/4 | .05 | .040 ±.003 | 1 | 6.82 |
| 574-269 | 8-3/4 | 9 | .05 | .040 ±.003 | 1 | 6.97 |
| 574-270 | 9 | 9-1/4 | .05 | .040 ±.003 | 1 | 7.31 |
| 574-271 | 9-1/4 | 9-1/2 | .05 | .040 ±.003 | 1 | 7.59 |
| 574-272 | 9-1/2 | 9-3/4 | .05 | .040 ±.003 | 1 | 7.87 |
| 574-273 | 9-3/4 | 10 | .05 | .040 ±.003 | 1 | 8.17 |
| 574-274 | 10 | 10-1/4 | .05 | .040 ±.003 | 1 | 8.46 |
| 574-275 | 10-1/2 | 10-3/4 | .05 | .040 ±.003 | 1 | 8.90 |
| 574-276 | 11 | 11-1/4 | .05 | .040 ±.003 | 1 | 8.97 |
| 574-277 | 11-1/2 | 11-3/4 | .05 | .040 ±.003 | 1 | 9.09 |
| 574-278 | 12 | 12-1/4 | .05 | .040 ±.003 | 1 | 9.16 |
| 574-279 | 13 | 13-1/4 | .05 | .040 ±.003 | 1 | 9.21 |
| 574-280 | 14 | 14-1/4 | .05 | .040 ±.003 | 1 | 9.30 |
| 574-281 | 15 | 15-1/4 | .05 | .040 ±.003 | 1 | 9.44 |
| 574-282 | 16 | 16-1/4 | .05 | .040 ±.003 | 1 | 9.49 |
| 574-283 | 17 | 17-1/4 | .05 | .040 ±.003 | 1 | 9.54 |
| 574-284 | 18 | 18-1/4 | .05 | .040 ±.003 | 1 | 9.68 |
| 3/16" C/S | | | | | | |
| 574-309 | 7/16 | 13/16 | .076 | .060 ±.004 | 25 | \$0.38 |
| 574-310 | 1/2 | 7/8 | .076 | .060 ±.004 | 25 | 0.41 |
| 574-311 | 9/16 | 15/16 | .076 | .060 ±.004 | 25 | 0.43 |

**STYLE 574 BUNA-N BACK-UP RINGS****BACK-UP RINGS**

| Part Number | A Nom. ID | B Nom. OD | C Nom. Ht | th THICKNESS | Package Quantity | List Price |
|-------------|-----------|-----------|-----------|--------------|------------------|------------|
| 574-312 | 5/8 | 1 | .076 | .060 ±.004 | 25 | 0.43 |
| 574-313 | 11/16 | 1-1/16 | .076 | .060 ±.004 | 10 | 0.47 |
| 574-314 | 3/4 | 1-1/8 | .076 | .060 ±.004 | 10 | 0.47 |
| 574-315 | 13/16 | 1-3/16 | .076 | .060 ±.004 | 10 | 0.53 |
| 574-316 | 7/8 | 1-1/4 | .076 | .060 ±.004 | 10 | 0.48 |
| 574-317 | 15/16 | 1-5/16 | .076 | .060 ±.004 | 10 | 0.51 |
| 574-318 | 1 | 1-3/8 | .076 | .060 ±.004 | 10 | 0.55 |
| 574-319 | 1-1/16 | 1-7/16 | .076 | .060 ±.004 | 10 | 0.55 |
| 574-320 | 1-1/8 | 1-1/2 | .076 | .060 ±.004 | 10 | 0.58 |
| 574-321 | 1-3/16 | 1-9/16 | .076 | .060 ±.004 | 10 | 0.64 |
| 574-322 | 1-1/4 | 1-5/8 | .076 | .060 ±.004 | 10 | 0.66 |
| 574-323 | 1-5/16 | 1-11/16 | .076 | .060 ±.004 | 10 | 0.68 |
| 574-324 | 1-3/8 | 1-3/4 | .076 | .060 ±.004 | 10 | 0.73 |
| 574-325 | 1-1/2 | 1-7/8 | .076 | .060 ±.004 | 10 | 0.81 |
| 574-326 | 1-5/8 | 2 | .076 | .060 ±.004 | 10 | 0.86 |
| 574-327 | 1-3/4 | 2-1/8 | .076 | .060 ±.004 | 10 | 0.90 |
| 574-328 | 1-7/8 | 2-1/4 | .076 | .060 ±.004 | 10 | 0.96 |
| 574-329 | 2 | 2-3/8 | .076 | .060 ±.004 | 10 | 1.08 |
| 574-330 | 2-1/8 | 2-1/2 | .076 | .060 ±.004 | 10 | 1.15 |
| 574-331 | 2-1/4 | 2-5/8 | .076 | .060 ±.004 | 10 | 1.19 |
| 574-332 | 2-3/8 | 2-3/4 | .076 | .060 ±.004 | 10 | 1.21 |
| 574-333 | 2-1/2 | 2-7/8 | .076 | .060 ±.004 | 10 | 1.25 |
| 574-334 | 2-5/8 | 3 | .076 | .060 ±.004 | 10 | 1.29 |
| 574-335 | 2-3/4 | 3-1/8 | .076 | .060 ±.004 | 10 | 1.41 |
| 574-336 | 2-7/8 | 3-1/4 | .076 | .060 ±.004 | 10 | 1.41 |
| 574-337 | 3 | 3-3/8 | .076 | .060 ±.004 | 10 | 1.49 |
| 574-338 | 3-1/8 | 3-1/2 | .076 | .060 ±.004 | 10 | 1.49 |
| 574-339 | 3-1/4 | 3-5/8 | .076 | .060 ±.004 | 10 | 1.58 |
| 574-340 | 3-3/8 | 3-3/4 | .076 | .060 ±.004 | 5 | 1.70 |
| 574-341 | 3-1/2 | 3-7/8 | .076 | .060 ±.004 | 5 | 1.70 |
| 574-342 | 3-5/8 | 4 | .076 | .060 ±.004 | 5 | 1.80 |
| 574-343 | 3-3/4 | 4-1/8 | .076 | .060 ±.004 | 5 | 2.03 |
| 574-344 | 3-7/8 | 4-1/4 | .076 | .060 ±.004 | 5 | 2.23 |
| 574-345 | 4 | 4-3/8 | .076 | .060 ±.004 | 5 | 2.31 |
| 574-346 | 4-1/8 | 4-1/2 | .076 | .060 ±.004 | 5 | 2.31 |
| 574-347 | 4-1/4 | 4-5/8 | .076 | .060 ±.004 | 5 | 2.32 |
| 574-348 | 4-3/8 | 4-3/4 | .076 | .060 ±.004 | 5 | 2.54 |
| 574-349 | 4-1/2 | 4-7/8 | .076 | .060 ±.004 | 5 | 2.50 |
| 574-350 | 4-5/8 | 5 | .076 | .060 ±.004 | 5 | 2.73 |
| 574-351 | 4-3/4 | 5-1/8 | .076 | .060 ±.004 | 5 | 2.78 |
| 574-352 | 4-7/8 | 5-1/4 | .076 | .060 ±.004 | 5 | 2.80 |
| 574-353 | 5 | 5-3/8 | .076 | .060 ±.004 | 5 | 3.00 |
| 574-354 | 5-1/8 | 5-1/2 | .076 | .060 ±.004 | 5 | 3.23 |
| 574-355 | 5-1/4 | 5-5/8 | .076 | .060 ±.004 | 1 | 3.46 |
| 574-356 | 5-3/8 | 5-3/4 | .076 | .060 ±.004 | 1 | 3.54 |
| 574-357 | 5-1/2 | 5-7/8 | .076 | .060 ±.004 | 1 | 3.82 |
| 574-358 | 5-5/8 | 6 | .076 | .060 ±.004 | 1 | 3.89 |
| 574-359 | 5-3/4 | 6-1/8 | .076 | .060 ±.004 | 1 | 3.94 |
| 574-360 | 5-7/8 | 6-1/4 | .076 | .060 ±.004 | 1 | 4.04 |
| 574-361 | 6 | 6-3/8 | .076 | .060 ±.004 | 1 | 4.09 |
| 574-362 | 6-1/4 | 6-5/8 | .076 | .060 ±.004 | 1 | 4.66 |
| 574-363 | 6-1/2 | 6-7/8 | .076 | .060 ±.004 | 1 | 5.05 |
| 574-364 | 6-3/4 | 7-1/8 | .076 | .060 ±.004 | 1 | 5.11 |
| 574-365 | 7 | 7-3/8 | .076 | .060 ±.004 | 1 | 5.42 |
| 574-366 | 7-1/4 | 7-5/8 | .076 | .060 ±.004 | 1 | 5.42 |
| 574-367 | 7-1/2 | 7-7/8 | .076 | .060 ±.004 | 1 | 5.42 |
| 574-368 | 7-3/4 | 8-1/8 | .076 | .060 ±.004 | 1 | 5.42 |

FORMERLY LISTED SEALS ARE AVAILABLE ONLINE AT WWW.HERCULESUS.COM
OR BY CONTACTING YOUR REGIONAL HERCULES SALES TEAM.



STYLE 574 BUNA-N BACK-UP RINGS

BACK-UP RINGS

| Part Number | A Nom. ID | B Nom. OD | C Nom. Ht | th THICKNESS | Package Quantity | List Price |
|-----------------|-----------|-----------|-----------|--------------|------------------|------------|
| 574-369 | 8 | 8-3/8 | .076 | .060 ±.004 | 1 | 5.76 |
| 574-370 | 8-1/4 | 8-5/8 | .076 | .060 ±.004 | 1 | 5.76 |
| 574-371 | 8-1/2 | 8-7/8 | .076 | .060 ±.004 | 1 | 5.76 |
| 574-372 | 8-3/4 | 9-1/8 | .076 | .060 ±.004 | 1 | 5.87 |
| 574-373 | 9 | 9-3/8 | .076 | .060 ±.004 | 1 | 5.87 |
| 574-374 | 9-1/4 | 9-5/8 | .076 | .060 ±.004 | 1 | 7.21 |
| 574-375 | 9-1/2 | 9-7/8 | .076 | .060 ±.004 | 1 | 7.21 |
| 574-377 | 10 | 10-3/8 | .076 | .060 ±.004 | 1 | 7.49 |
| 574-378 | 10-1/2 | 10-7/8 | .076 | .060 ±.004 | 1 | 7.49 |
| 574-379 | 11 | 11-3/8 | .076 | .060 ±.004 | 1 | 7.57 |
| 574-380 | 11-1/2 | 11-7/8 | .076 | .060 ±.004 | 1 | 7.57 |
| 574-381 | 12 | 12-3/8 | .076 | .060 ±.004 | 1 | 7.57 |
| 574-382 | 13 | 13-3/8 | .076 | .060 ±.004 | 1 | 7.75 |
| 574-383 | 14 | 14-3/8 | .076 | .060 ±.004 | 1 | 7.75 |
| 574-384 | 15 | 15-3/8 | .076 | .060 ±.004 | 1 | 7.75 |
| 1/4" C/S | | | | | | |
| 574-425 | 4-1/2 | 5 | .117 | .096 ±.005 | 1 | \$3.28 |
| 574-426 | 4-5/8 | 5-1/8 | .117 | .096 ±.005 | 1 | 3.35 |
| 574-427 | 4-3/4 | 5-1/4 | .117 | .096 ±.005 | 1 | 3.38 |
| 574-428 | 4-7/8 | 5-3/8 | .117 | .096 ±.005 | 1 | 3.45 |
| 574-429 | 5 | 5-1/2 | .117 | .096 ±.005 | 1 | 3.50 |
| 574-430 | 5-1/8 | 5-5/8 | .117 | .096 ±.005 | 1 | 3.98 |
| 574-431 | 5-1/4 | 5-3/4 | .117 | .096 ±.005 | 1 | 4.24 |
| 574-432 | 5-3/8 | 5-7/8 | .117 | .096 ±.005 | 1 | 4.33 |
| 574-433 | 5-1/2 | 6 | .117 | .096 ±.005 | 1 | 4.46 |
| 574-434 | 5-5/8 | 6-1/8 | .117 | .096 ±.005 | 1 | 4.46 |
| 574-435 | 5-3/4 | 6-1/4 | .117 | .096 ±.005 | 1 | 4.50 |
| 574-436 | 5-7/8 | 6-3/8 | .117 | .096 ±.005 | 1 | 4.57 |
| 574-437 | 6 | 6-1/2 | .117 | .096 ±.005 | 1 | 4.95 |
| 574-438 | 6-1/4 | 6-3/4 | .117 | .096 ±.005 | 1 | 5.83 |
| 574-439 | 6-1/2 | 7 | .117 | .096 ±.005 | 1 | 5.92 |
| 574-440 | 6-3/4 | 7-1/4 | .117 | .096 ±.005 | 1 | 5.97 |
| 574-441 | 7 | 7-1/2 | .117 | .096 ±.005 | 1 | 6.33 |
| 574-442 | 7-1/4 | 7-3/4 | .117 | .096 ±.005 | 1 | 6.63 |
| 574-443 | 7-1/2 | 8 | .117 | .096 ±.005 | 1 | 7.00 |
| 574-444 | 7-3/4 | 8-1/4 | .117 | .096 ±.005 | 1 | 7.04 |
| 574-445 | 8 | 8-1/2 | .117 | .096 ±.005 | 1 | 7.09 |
| 574-446 | 8-1/2 | 9 | .117 | .096 ±.005 | 1 | 7.17 |
| 574-447 | 9 | 9-1/2 | .117 | .096 ±.005 | 1 | 7.20 |
| 574-448 | 9-1/2 | 10 | .117 | .096 ±.005 | 1 | 7.23 |
| 574-449 | 10 | 10-1/2 | .117 | .096 ±.005 | 1 | 7.33 |
| 574-450 | 10-1/2 | 11 | .117 | .096 ±.005 | 1 | 7.38 |
| 574-451 | 11 | 11-1/2 | .117 | .096 ±.005 | 1 | 7.44 |
| 574-452 | 11-1/2 | 12 | .117 | .096 ±.005 | 1 | 7.47 |
| 574-453 | 12 | 12-1/2 | .117 | .096 ±.005 | 1 | 7.53 |
| 574-454 | 12-1/2 | 13 | .117 | .096 ±.005 | 1 | 7.60 |
| 574-455 | 13 | 13-1/2 | .117 | .096 ±.005 | 1 | 7.69 |
| 574-456 | 13-1/2 | 14 | .117 | .096 ±.005 | 1 | 7.75 |
| 574-457 | 14 | 14-1/2 | .117 | .096 ±.005 | 1 | 7.82 |
| 574-458 | 14-1/2 | 15 | .117 | .096 ±.005 | 1 | 8.00 |
| 574-459 | 15 | 15-1/2 | .117 | .096 ±.005 | 1 | 8.14 |
| 574-460 | 15-1/2 | 16 | .117 | .096 ±.005 | 1 | 8.25 |
| 574-461 | 16 | 16-1/2 | .117 | .096 ±.005 | 1 | 8.29 |
| 574-462 | 16-1/2 | 17 | .117 | .096 ±.005 | 1 | 8.33 |
| 574-463 | 17 | 17-1/2 | .117 | .096 ±.005 | 1 | 8.42 |
| 574-464 | 17-1/2 | 18 | .117 | .096 ±.005 | 1 | 8.67 |
| 574-465 | 18 | 18-1/2 | .117 | .096 ±.005 | 1 | 8.90 |

NORTH AMERICA
PHONE 1-800-777-5617
FAX 1-800-759-6391

SALES OFFICE HOURS
8 A.M. TO 7:30 P.M. EASTERN TIME
www.HerculesUS.com

WORLDWIDE
PHONE 1-727-796-1300
FAX 1-727-797-8849



STYLE 574 BUNA-N BACK-UP RINGS

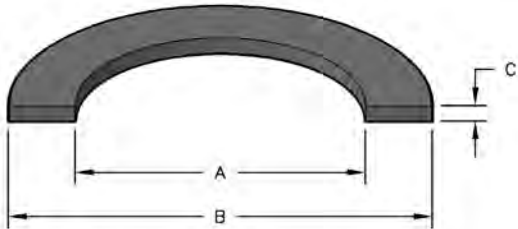
| Part Number | A Nom. ID | B Nom. OD | C Nom. Ht | th THICKNESS | Package Quantity | List Price |
|-------------|-----------|-----------|-----------|--------------|------------------|------------|
| 574-466 | 18-1/2 | 19 | .117 | .096 ±.005 | 1 | 9.28 |
| 574-467 | 19 | 19-1/2 | .117 | .096 ±.005 | 1 | 9.84 |
| 574-468 | 19-1/2 | 20 | .117 | .096 ±.005 | 1 | 10.21 |
| 574-469 | 20 | 20-1/2 | .117 | .096 ±.005 | 1 | 10.73 |
| 574-470 | 21 | 21-1/2 | .117 | .096 ±.005 | 1 | 11.44 |
| 574-471 | 22 | 22-1/2 | .117 | .096 ±.005 | 1 | 11.97 |
| 574-472 | 23 | 23-1/2 | .117 | .096 ±.005 | 1 | 12.65 |
| 574-473 | 24 | 24-1/2 | .117 | .096 ±.005 | 1 | 13.28 |

BACK-UP RINGS



STYLE 575 URETHANE BACK-UP RINGS

Molded of 95A Durometer Urethane these back-up rings provide excellent extrusion resistance. Stretched for installation, they return quickly to their original size for easy installation. **NOTE:** Sizes (Dash No.) correspond to standard o-ring numbers.



HERCULES PART NUMBERS

575 - 004
Prefix Dash Number

SEAL INFORMATION

| | |
|-------------------|---|
| MATERIAL | 95A DUROMETER URETHANE |
| TEMPERATURE RANGE | -65° TO +220° F |
| PRESSURE RANGE | VARIABLE ACCORDING TO DIAMETRAL CLEARANCE |

BACK-UP RINGS

| Part Number | A Nom. ID | B Nom. OD | C Nom. Ht | th THICKNESS | Package Quantity | List Price |
|------------------|--------------|--------------|--------------|-----------------|---------------------|---------------|
| 1/16" C/S | | | | | | |
| 575-004 | 5/64 | 13/64 | .045 | .045 ±.003 | 10 | \$1.09 |
| 575-005 | 3/32 | 7/32 | .045 | .045 ±.003 | 10 | 1.09 |
| 575-006 | 1/8 | 1/4 | .045 | .045 ±.003 | 10 | 1.09 |
| 575-007 | 5/32 | 9/32 | .045 | .045 ±.003 | 10 | 1.09 |
| 575-008 | 3/16 | 5/16 | .045 | .045 ±.003 | 10 | 1.09 |
| 575-009 | 7/32 | 11/32 | .045 | .045 ±.003 | 10 | 1.09 |
| 575-010 | 1/4 | 3/8 | .04 | .040 ±.003 | 10 | 1.09 |
| 575-011 | 5/16 | 7/16 | .04 | .040 ±.003 | 10 | 0.80 |
| 575-012 | 3/8 | 1/2 | .04 | .040 ±.003 | 10 | 0.80 |
| 575-013 | 7/16 | 9/16 | .04 | .040 ±.003 | 10 | 0.80 |
| 575-014 | 1/2 | 5/8 | .04 | .040 ±.003 | 10 | 0.80 |
| 575-015 | 9/16 | 11/16 | .04 | .040 ±.003 | 10 | 0.80 |
| 575-016 | 5/8 | 3/4 | .04 | .040 ±.003 | 10 | 0.94 |
| 575-017 | 11/16 | 13/16 | .04 | .040 ±.003 | 10 | 0.94 |
| 575-018 | 3/4 | 7/8 | .04 | .040 ±.003 | 10 | 0.94 |
| 575-019 | 13/16 | 15/16 | .04 | .040 ±.003 | 10 | 0.94 |
| 575-020 | 7/8 | 1 | .04 | .040 ±.003 | 10 | 0.94 |
| 575-021 | 15/16 | 1-1/16 | .04 | .040 ±.003 | 10 | 0.94 |
| 575-022 | 1 | 1-1/8 | .04 | .040 ±.003 | 10 | 0.94 |
| 575-023 | 1-1/16 | 1-3/16 | .04 | .040 ±.003 | 10 | 0.94 |
| 575-024 | 1-1/8 | 1-1/4 | .04 | .040 ±.003 | 10 | 0.94 |
| 575-025 | 1-3/16 | 1-5/16 | .04 | .040 ±.003 | 10 | 0.94 |
| 575-026 | 1-1/4 | 1-3/8 | .04 | .040 ±.003 | 10 | 1.04 |
| 575-027 | 1-5/16 | 1-7/16 | .04 | .040 ±.003 | 10 | 1.04 |
| 575-028 | 1-3/8 | 1-1/2 | .04 | .040 ±.003 | 10 | 1.04 |
| 575-029 | 1-1/2 | 1-5/8 | .04 | .040 ±.003 | 10 | 1.04 |
| 575-030 | 1-5/8 | 1-3/4 | .04 | .040 ±.003 | 10 | 1.04 |
| 575-031 | 1-3/4 | 1-7/8 | .04 | .040 ±.003 | 10 | 1.04 |
| 575-032 | 1-7/8 | 2 | .04 | .040 ±.003 | 10 | 1.04 |
| 575-033 | 2 | 2-1/8 | .04 | .040 ±.003 | 10 | 1.09 |
| 575-034 | 2-1/8 | 2-1/4 | .04 | .040 ±.003 | 10 | 1.09 |
| 575-035 | 2-1/4 | 2-3/8 | .04 | .040 ±.003 | 10 | 1.09 |
| 575-036 | 2-3/8 | 2-1/2 | .04 | .040 ±.003 | 10 | 1.09 |
| 575-037 | 2-1/2 | 2-5/8 | .04 | .040 ±.003 | 10 | 1.09 |
| 575-038 | 2-5/8 | 2-3/4 | .04 | .040 ±.003 | 10 | 1.09 |
| 575-039 | 2-3/4 | 2-7/8 | .04 | .040 ±.003 | 10 | 1.16 |
| 575-040 | 2-7/8 | 3 | .04 | .040 ±.003 | 10 | 1.22 |
| 575-041 | 3 | 3-1/8 | .04 | .040 ±.003 | 10 | 1.24 |
| 575-042 | 3-1/4 | 3-3/8 | .04 | .040 ±.003 | 10 | 1.26 |
| 575-043 | 3-1/2 | 3-5/8 | .04 | .040 ±.003 | 10 | 1.27 |

NORTH AMERICA
PHONE 1-800-777-5617
FAX 1-800-759-6391

SALES OFFICE HOURS
8 A.M. TO 7:30 P.M. EASTERN TIME
www.HerculesUS.com

WORLDWIDE
PHONE 1-727-796-1300
FAX 1-727-797-8849



STYLE 575 URETHANE BACK-UP RINGS

BACK-UP RINGS

| Part Number | A Nom. ID | B Nom. OD | C Nom. Ht | th THICKNESS | Package Quantity | List Price |
|------------------|-----------|-----------|-----------|--------------|------------------|------------|
| 575-044 | 3-3/4 | 3-7/8 | .04 | .040 ±.003 | 10 | 1.35 |
| 575-045 | 4 | 4-1/8 | .04 | .040 ±.003 | 5 | 1.41 |
| 575-046 | 4-1/4 | 4-3/8 | .04 | .040 ±.003 | 5 | 1.47 |
| 575-047 | 4-1/2 | 4-5/8 | .04 | .040 ±.003 | 5 | 1.53 |
| 575-048 | 4-3/4 | 4-7/8 | .04 | .040 ±.003 | 5 | 1.58 |
| 575-049 | 5 | 5-1/8 | .04 | .040 ±.003 | 5 | 1.63 |
| 575-050 | 5-1/4 | 5-3/8 | .04 | .040 ±.003 | 5 | 1.67 |
| 3/32" C/S | | | | | | |
| 575-102 | 1/16 | 1/4 | .045 | .045 ±.003 | 10 | \$1.52 |
| 575-103 | 3/32 | 9/32 | .045 | .045 ±.003 | 10 | 0.85 |
| 575-104 | 1/8 | 5/16 | .05 | .050 ±.005 | 10 | 0.85 |
| 575-105 | 5/32 | 11/32 | .045 | .045 ±.003 | 10 | 0.85 |
| 575-106 | 3/16 | 3/8 | .045 | .045 ±.003 | 10 | 0.85 |
| 575-107 | 7/32 | 13/32 | .045 | .045 ±.003 | 10 | 0.85 |
| 575-108 | 1/4 | 7/16 | .04 | .040 ±.003 | 10 | 0.85 |
| 575-109 | 5/16 | .4 | .04 | .040 ±.003 | 10 | 0.85 |
| 575-110 | 3/8 | 9/16 | .04 | .040 ±.003 | 10 | 0.85 |
| 575-111 | 7/16 | 5/8 | .04 | .040 ±.003 | 10 | 0.85 |
| 575-112 | 1/2 | 11/16 | .04 | .040 ±.003 | 10 | 0.85 |
| 575-113 | 9/16 | 3/4 | .04 | .040 ±.003 | 10 | 0.85 |
| 575-114 | 5/8 | 13/16 | .04 | .040 ±.003 | 10 | 0.80 |
| 575-115 | 11/16 | 7/8 | .04 | .040 ±.003 | 10 | 0.80 |
| 575-116 | 3/4 | 15/16 | .04 | .040 ±.003 | 10 | 0.80 |
| 575-117 | 13/16 | 1 | .04 | .040 ±.003 | 10 | 0.85 |
| 575-118 | 7/8 | 1-1/16 | .04 | .040 ±.003 | 10 | 0.85 |
| 575-119 | 15/16 | 1-1/8 | .04 | .040 ±.003 | 10 | 0.85 |
| 575-120 | 1 | 1-3/16 | .04 | .040 ±.003 | 10 | 0.90 |
| 575-121 | 1-1/16 | 1-1/4 | .04 | .040 ±.003 | 10 | 0.90 |
| 575-122 | 1-1/8 | 1-5/16 | .04 | .040 ±.003 | 10 | 0.90 |
| 575-123 | 1-3/16 | 1-3/8 | .04 | .040 ±.003 | 10 | 0.90 |
| 575-124 | 1-1/4 | 1-7/16 | .04 | .040 ±.003 | 10 | 0.94 |
| 575-125 | 1-5/16 | 1-1/2 | .04 | .040 ±.003 | 10 | 0.94 |
| 575-126 | 1-3/8 | 1-9/16 | .04 | .040 ±.003 | 10 | 1.04 |
| 575-127 | 1-7/16 | 1-5/8 | .04 | .040 ±.003 | 10 | 1.04 |
| 575-128 | 1-1/2 | 1-11/16 | .04 | .040 ±.003 | 10 | 1.04 |
| 575-129 | 1-9/16 | 1-3/4 | .04 | .040 ±.003 | 10 | 1.04 |
| 575-130 | 1-5/8 | 1-13/16 | .04 | .040 ±.003 | 10 | 1.04 |
| 575-131 | 1-11/16 | 1-7/8 | .04 | .040 ±.003 | 10 | 1.04 |
| 575-132 | 1-3/4 | 1-15/16 | .04 | .040 ±.003 | 10 | 1.04 |
| 575-133 | 1-13/16 | 2 | .04 | .040 ±.003 | 10 | 1.04 |
| 575-134 | 1-7/8 | 2-1/16 | .04 | .040 ±.003 | 10 | 1.04 |
| 575-135 | 1-15/16 | 2-1/8 | .04 | .040 ±.003 | 10 | 1.04 |
| 575-136 | 2 | 2-3/16 | .04 | .040 ±.003 | 10 | 1.04 |
| 575-137 | 2-1/16 | 2-1/4 | .04 | .040 ±.003 | 10 | 1.04 |
| 575-138 | 2-1/8 | 2-5/16 | .04 | .040 ±.003 | 10 | 1.04 |
| 575-139 | 2-3/16 | 2-3/8 | .04 | .040 ±.003 | 10 | 1.04 |
| 575-140 | 2-1/4 | 2-7/16 | .04 | .040 ±.003 | 10 | 1.06 |
| 575-141 | 2-5/16 | 2-1/2 | .04 | .040 ±.003 | 10 | 1.06 |
| 575-142 | 2-3/8 | 2-9/16 | .04 | .040 ±.003 | 10 | 1.06 |
| 575-143 | 2-7/16 | 2-5/8 | .04 | .040 ±.003 | 10 | 1.09 |
| 575-144 | 2-1/2 | 2-11/16 | .04 | .040 ±.003 | 10 | 1.16 |
| 575-145 | 2-9/16 | 2-3/4 | .04 | .040 ±.003 | 10 | 1.16 |
| 575-146 | 2-5/8 | 2-13/16 | .04 | .040 ±.003 | 10 | 1.16 |
| 575-147 | 2-11/16 | 2-7/8 | .04 | .040 ±.003 | 10 | 1.16 |
| 575-148 | 2-3/4 | 2-15/16 | .04 | .040 ±.003 | 10 | 1.16 |
| 575-149 | 2-13/16 | 3 | .04 | .040 ±.003 | 10 | 1.16 |
| 575-150 | 2-7/8 | 3-1/16 | .04 | .040 ±.003 | 10 | 1.22 |

FORMERLY LISTED SEALS ARE AVAILABLE ONLINE AT WWW.HERCULESUS.COM
OR BY CONTACTING YOUR REGIONAL HERCULES SALES TEAM.



STYLE 575 URETHANE BACK-UP RINGS

BACK-UP RINGS

| Part Number | A Nom. ID | B Nom. OD | C Nom. Ht | th THICKNESS | Package Quantity | List Price |
|-----------------|-----------|-----------|-----------|--------------|------------------|------------|
| 575-151 | 3 | 3-3/16 | .04 | .040 ±.003 | 10 | 1.22 |
| 575-152 | 3-1/4 | 3-7/16 | .04 | .040 ±.003 | 5 | 1.62 |
| 575-153 | 3-1/2 | 3-11/16 | .04 | .040 ±.003 | 5 | 1.64 |
| 575-154 | 3-3/4 | 3-15/16 | .04 | .040 ±.003 | 5 | 2.55 |
| 575-155 | 4 | 4-3/16 | .04 | .040 ±.003 | 5 | 2.57 |
| 575-156 | 4-1/4 | 4-7/16 | .04 | .040 ±.003 | 5 | 2.59 |
| 575-157 | 4-1/2 | 4-11/16 | .04 | .040 ±.003 | 5 | 2.59 |
| 575-158 | 4-3/4 | 4-15/16 | .04 | .040 ±.003 | 5 | 2.75 |
| 575-159 | 5 | 5-3/16 | .04 | .040 ±.003 | 1 | 2.81 |
| 575-160 | 5-1/4 | 5-7/16 | .04 | .040 ±.003 | 1 | 2.87 |
| 575-161 | 5-1/2 | 5-11/16 | .04 | .040 ±.003 | 1 | 2.92 |
| 575-162 | 5-3/4 | 5-15/16 | .04 | .040 ±.003 | 1 | 3.00 |
| 575-163 | 6 | 6-3/16 | .04 | .040 ±.003 | 1 | 3.27 |
| 575-164 | 6-1/4 | 6-7/16 | .04 | .040 ±.003 | 1 | 3.47 |
| 575-165 | 6-1/2 | 6-11/16 | .04 | .040 ±.003 | 1 | 3.50 |
| 575-166 | 6-3/4 | 6-15/16 | .04 | .040 ±.003 | 1 | 3.57 |
| 575-167 | 7 | 7-3/16 | .04 | .040 ±.003 | 1 | 3.60 |
| 575-168 | 7-1/4 | 7-7/16 | .04 | .040 ±.003 | 1 | 3.64 |
| 575-169 | 7-1/2 | 7-11/16 | .04 | .040 ±.003 | 1 | 3.70 |
| 575-170 | 7-3/4 | 7-15/16 | .04 | .040 ±.003 | 1 | 3.73 |
| 575-171 | 8 | 8-3/16 | .04 | .040 ±.003 | 1 | 3.77 |
| 575-172 | 8-1/4 | 8-7/16 | .04 | .040 ±.003 | 1 | 3.82 |
| 575-173 | 8-1/2 | 8-11/16 | .04 | .040 ±.003 | 1 | 3.84 |
| 575-174 | 8-3/4 | 8-15/16 | .04 | .040 ±.003 | 1 | 3.89 |
| 575-175 | 9 | 9-3/16 | .04 | .040 ±.003 | 1 | 3.93 |
| 1/8" C/S | | | | | | |
| 575-205 | 7/16 | 11/16 | .04 | .040 ±.003 | 10 | \$0.80 |
| 575-206 | 1/2 | 3/4 | .04 | .040 ±.003 | 10 | 0.80 |
| 575-207 | 9/16 | 13/16 | .04 | .040 ±.003 | 10 | 0.80 |
| 575-208 | 5/8 | 7/8 | .04 | .040 ±.003 | 10 | 0.80 |
| 575-209 | 11/16 | 15/16 | .04 | .040 ±.003 | 10 | 0.80 |
| 575-210 | 3/4 | 1 | .04 | .040 ±.003 | 10 | 0.85 |
| 575-211 | 13/16 | 1-1/16 | .04 | .040 ±.003 | 10 | 0.85 |
| 575-212 | 7/8 | 1-1/8 | .04 | .040 ±.003 | 10 | 0.85 |
| 575-213 | 15/16 | 1-3/16 | .04 | .040 ±.003 | 10 | 0.85 |
| 575-214 | 1 | 1-1/4 | .04 | .040 ±.003 | 10 | 0.85 |
| 575-215 | 1-1/16 | 1-5/16 | .04 | .040 ±.003 | 10 | 0.90 |
| 575-216 | 1-1/8 | 1-3/8 | .04 | .040 ±.003 | 10 | 0.90 |
| 575-217 | 1-3/16 | 1-7/16 | .04 | .040 ±.003 | 10 | 0.90 |
| 575-218 | 1-1/4 | 1-1/2 | .04 | .040 ±.003 | 10 | 0.90 |
| 575-219 | 1-5/16 | 1-9/16 | .04 | .040 ±.003 | 10 | 0.90 |
| 575-220 | 1-3/8 | 1-5/8 | .04 | .040 ±.003 | 10 | 0.94 |
| 575-221 | 1-7/16 | 1-11/16 | .04 | .040 ±.003 | 10 | 0.94 |
| 575-222 | 1-1/2 | 1-3/4 | .04 | .040 ±.003 | 10 | 0.94 |
| 575-223 | 1-5/8 | 1-7/8 | .04 | .040 ±.003 | 10 | 0.98 |
| 575-224 | 1-3/4 | 2 | .04 | .040 ±.003 | 10 | 0.98 |
| 575-225 | 1-7/8 | 2-1/8 | .04 | .040 ±.003 | 10 | 1.04 |
| 575-226 | 2 | 2-1/4 | .04 | .040 ±.003 | 10 | 1.04 |
| 575-227 | 2-1/8 | 2-3/8 | .04 | .040 ±.003 | 10 | 1.04 |
| 575-228 | 2-1/4 | 2-1/2 | .04 | .040 ±.003 | 10 | 1.04 |
| 575-229 | 2-3/8 | 2-5/8 | .04 | .040 ±.003 | 10 | 1.04 |
| 575-230 | 2-1/2 | 2-3/4 | .04 | .040 ±.003 | 10 | 1.18 |
| 575-231 | 2-5/8 | 2-7/8 | .04 | .040 ±.003 | 10 | 1.18 |
| 575-232 | 2-3/4 | 3 | .04 | .040 ±.003 | 10 | 1.18 |
| 575-233 | 2-7/8 | 3-1/8 | .04 | .040 ±.003 | 10 | 1.18 |
| 575-234 | 3 | 3-1/4 | .04 | .040 ±.003 | 10 | 1.29 |
| 575-235 | 3-1/8 | 3-3/8 | .04 | .040 ±.003 | 10 | 1.29 |

STYLE 575 URETHANE BACK-UP RINGS

BACK-UP RINGS

| Part Number | A Nom. ID | B Nom. OD | C Nom. Ht | th THICKNESS | Package Quantity | List Price |
|------------------------|-----------|-----------|-----------|--------------|------------------|------------|
| 575-236 | 3-1/4 | 3-1/2 | .04 | .040 ±.003 | 10 | 1.29 |
| 575-237 | 3-3/8 | 3-5/8 | .04 | .040 ±.003 | 5 | 1.50 |
| 575-238 | 3-1/2 | 3-3/4 | .04 | .040 ±.003 | 5 | 1.50 |
| 575-239 | 3-5/8 | 3-7/8 | .04 | .040 ±.003 | 5 | 1.82 |
| 575-240 | 3-3/4 | 4 | .04 | .040 ±.003 | 5 | 1.86 |
| 575-241 | 3-7/8 | 4-1/8 | .04 | .040 ±.003 | 5 | 1.86 |
| 575-242 | 4 | 4-1/4 | .04 | .040 ±.003 | 5 | 1.86 |
| 575-243 | 4-1/8 | 4-3/8 | .04 | .040 ±.003 | 5 | 1.86 |
| 575-244 | 4-1/4 | 4-1/2 | .04 | .040 ±.003 | 5 | 2.29 |
| 575-245 | 4-3/8 | 4-5/8 | .04 | .040 ±.003 | 5 | 2.29 |
| 575-246 | 4-1/2 | 4-3/4 | .04 | .040 ±.003 | 5 | 2.60 |
| 575-247 | 4-5/8 | 4-7/8 | .04 | .040 ±.003 | 5 | 2.60 |
| 575-248 | 4-3/4 | 5 | .04 | .040 ±.003 | 1 | 2.76 |
| 575-249 | 4-7/8 | 5-1/8 | .04 | .040 ±.003 | 1 | 2.89 |
| 575-250 | 5 | 5-1/4 | .04 | .040 ±.003 | 1 | 3.00 |
| 575-251 | 5-1/8 | 5-3/8 | .04 | .040 ±.003 | 1 | 3.26 |
| 575-252 | 5-1/4 | 5-1/2 | .04 | .040 ±.003 | 1 | 3.41 |
| 575-253 | 5-3/8 | 5-5/8 | .04 | .040 ±.003 | 1 | 3.61 |
| 575-254 | 5-1/2 | 5-3/4 | .04 | .040 ±.003 | 1 | 3.78 |
| 575-255 | 5-5/8 | 5-7/8 | .04 | .040 ±.003 | 1 | 3.91 |
| 575-256 | 5-3/4 | 6 | .04 | .040 ±.003 | 1 | 4.08 |
| 575-257 | 5-7/8 | 6-1/8 | .04 | .040 ±.003 | 1 | 4.32 |
| 575-258 | 6 | 6-1/4 | .04 | .040 ±.003 | 1 | 4.43 |
| 575-259 | 6-1/4 | 6-1/2 | .04 | .040 ±.003 | 1 | 4.43 |
| 575-260 | 6-1/2 | 6-3/4 | .04 | .040 ±.003 | 1 | 4.64 |
| 575-261 | 6-3/4 | 7 | .04 | .040 ±.003 | 1 | 4.83 |
| 575-262 | 7 | 7-1/4 | .04 | .040 ±.003 | 1 | 4.92 |
| 575-263 | 7-1/4 | 7-1/2 | .04 | .040 ±.003 | 1 | 5.15 |
| 575-264 | 7-1/2 | 7-3/4 | .04 | .040 ±.003 | 1 | 5.50 |
| 575-265 | 7-3/4 | 8 | .04 | .040 ±.003 | 1 | 5.81 |
| 575-266 | 8 | 8-1/4 | .04 | .040 ±.003 | 1 | 6.74 |
| 575-267 | 8-1/4 | 8-1/2 | .04 | .040 ±.003 | 1 | 6.85 |
| 575-268 | 8-1/2 | 8-3/4 | .04 | .040 ±.003 | 1 | 7.01 |
| 575-269 | 8-3/4 | 9 | .04 | .040 ±.003 | 1 | 7.01 |
| 575-270 | 9 | 9-1/4 | .04 | .040 ±.003 | 1 | 7.21 |
| 575-271 | 9-1/4 | 9-1/2 | .04 | .040 ±.003 | 1 | 7.37 |
| 575-272 | 9-1/2 | 9-3/4 | .04 | .040 ±.003 | 1 | 7.44 |
| 575-273 | 9-3/4 | 10 | .04 | .040 ±.003 | 1 | 7.52 |
| 575-274 | 10 | 10-1/4 | .04 | .040 ±.003 | 1 | 7.57 |
| 575-275 | 10-1/2 | 10-3/4 | .04 | .040 ±.003 | 1 | 7.67 |
| 575-276 | 11 | 11-1/4 | .04 | .040 ±.003 | 1 | 7.73 |
| 575-278 | 12 | 12-1/4 | .04 | .040 ±.003 | 1 | 7.81 |
| 575-279 | 13 | 13-1/4 | .04 | .040 ±.003 | 1 | 7.84 |
| .163" C/S | | | | | | |
| 575-6.165X0.163X0.062U | 6.165 | 6.491 | .062 | .062 ±.004 | 1 | \$13.53 |
| 3/16" C/S | | | | | | |
| 575-309 | 7/16 | 13/16 | .055 | .055 ±.004 | 10 | \$0.80 |
| 575-310 | 1/2 | 7/8 | .055 | .055 ±.004 | 10 | 0.80 |
| 575-311 | 9/16 | 15/16 | .055 | .055 ±.004 | 10 | 0.80 |
| 575-312 | 5/8 | 1 | .055 | .055 ±.004 | 10 | 0.85 |
| 575-313 | 11/16 | 1-1/16 | .055 | .055 ±.004 | 10 | 0.85 |
| 575-314 | 3/4 | 1-1/8 | .055 | .055 ±.004 | 10 | 0.90 |
| 575-315 | 13/16 | 1-3/16 | .055 | .055 ±.004 | 10 | 0.90 |
| 575-316 | 7/8 | 1-1/4 | .055 | .055 ±.004 | 10 | 0.90 |
| 575-317 | 15/16 | 1-5/16 | .055 | .055 ±.004 | 10 | 0.90 |
| 575-318 | 1 | 1-3/8 | .055 | .055 ±.004 | 10 | 0.90 |
| 575-319 | 1-1/16 | 1-7/16 | .055 | .055 ±.004 | 10 | 0.90 |

FORMERLY LISTED SEALS ARE AVAILABLE ONLINE AT WWW.HERCULESUS.COM
OR BY CONTACTING YOUR REGIONAL HERCULES SALES TEAM.



STYLE 575 URETHANE BACK-UP RINGS

BACK-UP RINGS

| Part Number | A Nom. ID | B Nom. OD | C Nom. Ht | th THICKNESS | Package Quantity | List Price |
|-------------|-----------|-----------|-----------|--------------|------------------|------------|
| 575-320 | 1-1/8 | 1-1/2 | .055 | .055 ±.004 | 10 | 0.90 |
| 575-321 | 1-3/16 | 1-9/16 | .055 | .055 ±.004 | 10 | 0.90 |
| 575-322 | 1-1/4 | 1-5/8 | .055 | .055 ±.004 | 10 | 0.90 |
| 575-323 | 1-5/16 | 1-11/16 | .055 | .055 ±.004 | 10 | 0.98 |
| 575-324 | 1-3/8 | 1-3/4 | .055 | .055 ±.004 | 10 | 0.98 |
| 575-325 | 1-1/2 | 1-7/8 | .055 | .055 ±.004 | 10 | 0.98 |
| 575-326 | 1-5/8 | 2 | .055 | .055 ±.004 | 10 | 1.04 |
| 575-327 | 1-3/4 | 2-1/8 | .055 | .055 ±.004 | 10 | 1.04 |
| 575-328 | 1-7/8 | 2-1/4 | .055 | .055 ±.004 | 10 | 1.04 |
| 575-329 | 2 | 2-3/8 | .055 | .055 ±.004 | 10 | 1.04 |
| 575-330 | 2-1/8 | 2-1/2 | .055 | .055 ±.004 | 10 | 1.04 |
| 575-331 | 2-1/4 | 2-5/8 | .055 | .055 ±.004 | 10 | 1.04 |
| 575-332 | 2-3/8 | 2-3/4 | .055 | .055 ±.004 | 10 | 0.87 |
| 575-333 | 2-1/2 | 2-7/8 | .055 | .055 ±.004 | 10 | 1.06 |
| 575-334 | 2-5/8 | 3 | .055 | .055 ±.004 | 10 | 1.09 |
| 575-335 | 2-3/4 | 3-1/8 | .055 | .055 ±.004 | 10 | 1.18 |
| 575-336 | 2-7/8 | 3-1/4 | .055 | .055 ±.004 | 10 | 1.18 |
| 575-337 | 3 | 3-3/8 | .055 | .055 ±.004 | 10 | 1.26 |
| 575-338 | 3-1/8 | 3-1/2 | .055 | .055 ±.004 | 10 | 1.26 |
| 575-339 | 3-1/4 | 3-5/8 | .055 | .055 ±.004 | 10 | 1.33 |
| 575-340 | 3-3/8 | 3-3/4 | .055 | .055 ±.004 | 5 | 1.42 |
| 575-341 | 3-1/2 | 3-7/8 | .055 | .055 ±.004 | 5 | 1.42 |
| 575-342 | 3-5/8 | 4 | .055 | .055 ±.004 | 5 | 1.54 |
| 575-343 | 3-3/4 | 4-1/8 | .055 | .055 ±.004 | 5 | 1.73 |
| 575-344 | 3-7/8 | 4-1/4 | .055 | .055 ±.004 | 5 | 1.94 |
| 575-345 | 4 | 4-3/8 | .055 | .055 ±.004 | 5 | 2.10 |
| 575-346 | 4-1/8 | 4-1/2 | .055 | .055 ±.004 | 5 | 2.27 |
| 575-347 | 4-1/4 | 4-5/8 | .055 | .055 ±.004 | 5 | 2.37 |
| 575-348 | 4-3/8 | 4-3/4 | .055 | .055 ±.004 | 5 | 2.52 |
| 575-349 | 4-1/2 | 4-7/8 | .055 | .055 ±.004 | 5 | 2.60 |
| 575-350 | 4-5/8 | 5 | .055 | .055 ±.004 | 5 | 2.68 |
| 575-351 | 4-3/4 | 5-1/8 | .055 | .055 ±.004 | 1 | 3.00 |
| 575-352 | 4-7/8 | 5-1/4 | .055 | .055 ±.004 | 1 | 3.06 |
| 575-353 | 5 | 5-3/8 | .055 | .055 ±.004 | 1 | 3.09 |
| 575-354 | 5-1/8 | 5-1/2 | .055 | .055 ±.004 | 1 | 3.22 |
| 575-355 | 5-1/4 | 5-5/8 | .055 | .055 ±.004 | 1 | 3.41 |
| 575-356 | 5-3/8 | 5-3/4 | .055 | .055 ±.004 | 1 | 3.52 |
| 575-357 | 5-1/2 | 5-7/8 | .055 | .055 ±.004 | 1 | 3.87 |
| 575-358 | 5-5/8 | 6 | .055 | .055 ±.004 | 1 | 3.87 |
| 575-359 | 5-3/4 | 6-1/8 | .055 | .055 ±.004 | 1 | 4.08 |
| 575-360 | 5-7/8 | 6-1/4 | .055 | .055 ±.004 | 1 | 4.28 |
| 575-361 | 6 | 6-3/8 | .055 | .055 ±.004 | 1 | 4.57 |
| 575-362 | 6-1/4 | 6-5/8 | .055 | .055 ±.004 | 1 | 4.39 |
| 575-363 | 6-1/2 | 6-7/8 | .055 | .055 ±.004 | 1 | 4.57 |
| 575-364 | 6-3/4 | 7-1/8 | .055 | .055 ±.004 | 1 | 4.57 |
| 575-365 | 7 | 7-3/8 | .055 | .055 ±.004 | 1 | 4.57 |
| 575-366 | 7-1/4 | 7-5/8 | .055 | .055 ±.004 | 1 | 4.57 |
| 575-367 | 7-1/2 | 7-7/8 | .055 | .055 ±.004 | 1 | 4.57 |
| 575-368 | 7-3/4 | 8-1/8 | .055 | .055 ±.004 | 1 | 4.57 |
| 575-369 | 8 | 8-3/8 | .055 | .055 ±.004 | 1 | 4.65 |
| 575-370 | 8-1/4 | 8-5/8 | .055 | .055 ±.004 | 1 | 4.84 |
| 575-371 | 8-1/2 | 8-7/8 | .055 | .055 ±.004 | 1 | 4.65 |
| 575-372 | 8-3/4 | 9-1/8 | .055 | .055 ±.004 | 1 | 4.95 |
| 575-373 | 9 | 9-3/8 | .055 | .055 ±.004 | 1 | 4.95 |
| 575-374 | 9-1/4 | 9-5/8 | .055 | .055 ±.004 | 1 | 5.13 |
| 575-375 | 9-1/2 | 9-7/8 | .055 | .055 ±.004 | 1 | 5.13 |
| 575-376 | 9-3/4 | 10-1/8 | .055 | .055 ±.004 | 1 | 5.13 |

NORTH AMERICA
PHONE 1-800-777-5617
FAX 1-800-759-6391

SALES OFFICE HOURS
8 A.M. TO 7:30 P.M. EASTERN TIME
www.HerculesUS.com

WORLDWIDE
PHONE 1-727-796-1300
FAX 1-727-797-8849

STYLE 575 URETHANE BACK-UP RINGS

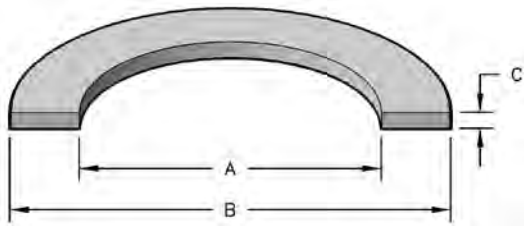
| Part Number | A Nom. ID | B Nom. OD | C Nom. Ht | th THICKNESS | Package Quantity | List Price |
|-----------------|-----------|-----------|-----------|--------------|------------------|------------|
| 575-377 | 10 | 10-3/8 | .055 | .055 ±.004 | 1 | 5.13 |
| 575-379 | 11 | 11-3/8 | .055 | .055 ±.004 | 1 | 6.00 |
| 575-381 | 12 | 12-3/8 | .055 | .055 ±.004 | 1 | 6.15 |
| 575-382 | 13 | 13-3/8 | .055 | .055 ±.004 | 1 | 6.33 |
| 575-383 | 14 | 14-3/8 | .055 | .055 ±.004 | 1 | 6.33 |
| 1/4" C/S | | | | | | |
| 575-421 | 4 | 4-1/2 | .085 | .085 ±.005 | 3 | \$2.98 |
| 575-425 | 4-1/2 | 5 | .085 | .085 ±.005 | 3 | 2.68 |
| 575-426 | 4-5/8 | 5-1/8 | .085 | .085 ±.005 | 3 | 2.71 |
| 575-427 | 4-3/4 | 5-1/4 | .085 | .085 ±.005 | 1 | 3.45 |
| 575-428 | 4-7/8 | 5-3/8 | .085 | .085 ±.005 | 1 | 3.48 |
| 575-429 | 5 | 5-1/2 | .085 | .085 ±.005 | 1 | 3.48 |
| 575-430 | 5-1/8 | 5-5/8 | .085 | .085 ±.005 | 1 | 3.51 |
| 575-431 | 5-1/4 | 5-3/4 | .085 | .085 ±.005 | 1 | 3.58 |
| 575-432 | 5-3/8 | 5-7/8 | .085 | .085 ±.005 | 1 | 3.73 |
| 575-433 | 5-1/2 | 6 | .085 | .085 ±.005 | 1 | 3.89 |
| 575-434 | 5-5/8 | 6-1/8 | .085 | .085 ±.005 | 1 | 4.06 |
| 575-435 | 5-3/4 | 6-1/4 | .085 | .085 ±.005 | 1 | 4.20 |
| 575-436 | 5-7/8 | 6-3/8 | .085 | .085 ±.005 | 1 | 4.22 |
| 575-437 | 6 | 6-1/2 | .085 | .085 ±.005 | 1 | 4.34 |
| 575-438 | 6-1/4 | 6-3/4 | .085 | .085 ±.005 | 1 | 4.42 |
| 575-439 | 6-1/2 | 7 | .085 | .085 ±.005 | 1 | 4.54 |
| 575-440 | 6-3/4 | 7-1/4 | .085 | .085 ±.005 | 1 | 4.91 |
| 575-441 | 7 | 7-1/2 | .085 | .085 ±.005 | 1 | 5.13 |
| 575-442 | 7-1/4 | 7-3/4 | .085 | .085 ±.005 | 1 | 5.38 |
| 575-443 | 7-1/2 | 8 | .085 | .085 ±.005 | 1 | 6.36 |
| 575-444 | 7-3/4 | 8-1/4 | .085 | .085 ±.005 | 1 | 8.46 |
| 575-445 | 8 | 8-1/2 | .085 | .085 ±.005 | 1 | 8.19 |
| 575-446 | 8-1/2 | 9 | .085 | .085 ±.005 | 1 | 10.94 |
| 575-447 | 9 | 9-1/2 | .085 | .085 ±.005 | 1 | 11.37 |
| 575-448 | 9-1/2 | 10 | .085 | .085 ±.005 | 1 | 11.53 |
| 575-449 | 10 | 10-1/2 | .085 | .085 ±.005 | 1 | 11.53 |
| 575-450 | 10-1/2 | 11 | .085 | .085 ±.005 | 1 | 12.51 |
| 575-451 | 11 | 11-1/2 | .085 | .085 ±.005 | 1 | 12.51 |
| 575-452 | 11-1/2 | 12 | .085 | .085 ±.005 | 1 | 12.51 |
| 575-453 | 12 | 12-1/2 | .085 | .085 ±.005 | 1 | 12.51 |
| 575-454 | 12-1/2 | 13 | .096 | .096 ±.005 | 1 | 12.51 |
| 575-455 | 13 | 13-1/2 | .085 | .085 ±.005 | 1 | 12.51 |
| 575-456 | 13-1/2 | 14 | .085 | .085 ±.005 | 1 | 12.51 |
| 575-457 | 14 | 14-1/2 | .085 | .085 ±.005 | 1 | 6.94 |
| 575-460 | 15-1/2 | 16 | .085 | .085 ±.005 | 1 | 8.10 |

BACK-UP RINGS



STYLE 575 PTFE BACK-UP RINGS

Letter suffix: T = Solid, ST = Split, TS = Spiral Cut, TW = .085 Wide



HERCULES PART NUMBERS

575 - 004 ST
 Prefix Dash Number

SEAL INFORMATION

| | |
|-------------------|---|
| MATERIAL | 90A BUNA-N RUBBER |
| TEMPERATURE RANGE | -40° TO +240° F |
| PRESSURE RANGE | VARIES ACCORDING TO DIAMETRAL CLEARANCE |

BACK-UP RINGS

| Part Number | A Nom. ID | B Nom. OD | C Nom. Ht | th THICKNESS | Package Quantity | List Price |
|------------------|--------------|--------------|--------------|---|---------------------|---------------|
| 1/16" C/S | | | | | | |
| 575-004ST | 5/64 | 13/64 | .05 | | 6 | \$1.85 |
| 575-005ST | 3/32 | 7/32 | .05 | | 6 | 1.85 |
| 575-006ST | 1/8 | 1/4 | .05 | | 6 | 1.85 |
| 575-007ST | 5/32 | 9/32 | .05 | | 6 | 1.94 |
| 575-008ST | 3/16 | 5/16 | .05 | | 6 | 1.94 |
| 575-009ST | 7/32 | 11/32 | .05 | | 6 | 1.94 |
| 575-009T | 7/32 | 11/32 | .05 | .050 ⁺⁰⁰² / _{-.005} | 6 | 0.32 |
| 575-010ST | 1/4 | 3/8 | .05 | | 12 | 0.92 |
| 575-010T | 1/4 | 3/8 | .05 | .050 ⁺⁰⁰² / _{-.005} | 6 | 1.10 |
| 575-011ST | 5/16 | 7/16 | .05 | | 6 | 2.03 |
| 575-011T | 5/16 | 7/16 | .05 | .050 ⁺⁰⁰² / _{-.005} | 1 | 2.17 |
| 575-012ST | 3/8 | 1/2 | .05 | | 10 | 2.03 |
| 575-013ST | 7/16 | 9/16 | .05 | | 6 | 2.03 |
| 575-014ST | 1/2 | 5/8 | .05 | | 6 | 2.09 |
| 575-015ST | 9/16 | 11/16 | .05 | | 6 | 2.09 |
| 575-016ST | 5/8 | 3/4 | .05 | | 10 | 1.14 |
| 575-017ST | 11/16 | 13/16 | .05 | | 5 | 2.19 |
| 575-018ST | 3/4 | 7/8 | .05 | | 5 | 2.24 |
| 575-018T | 3/4 | 7/8 | .05 | .050 ⁺⁰⁰² / _{-.005} | 5 | 0.53 |
| 575-019ST | 13/16 | 15/16 | .05 | | 5 | 2.24 |
| 575-020ST | 7/8 | 1 | .05 | | 5 | 2.28 |
| 575-020T | 7/8 | 1 | .05 | .050 ⁺⁰⁰² / _{-.005} | 5 | 2.44 |
| 575-021ST | 15/16 | 1-1/16 | .05 | | 5 | 2.28 |
| 575-022ST | 1 | 1-1/8 | .05 | | 5 | 2.28 |
| 575-022T | 1 | 1-1/8 | .05 | .050 ⁺⁰⁰² / _{-.005} | 5 | 2.44 |
| 575-023ST | 1-1/16 | 1-3/16 | .05 | | 5 | 2.28 |
| 575-024ST | 1-1/8 | 1-1/4 | .05 | | 5 | 2.41 |
| 575-025ST | 1-3/16 | 1-5/16 | .05 | | 5 | 2.41 |
| 575-026ST | 1-1/4 | 1-3/8 | .05 | | 4 | 2.65 |
| 575-026T | 1-1/4 | 1-3/8 | .05 | .050 ⁺⁰⁰² / _{-.005} | 4 | 2.84 |
| 575-027ST | 1-5/16 | 1-7/16 | .05 | | 4 | 3.06 |
| 575-028ST | 1-3/8 | 1-1/2 | .05 | | 4 | 3.19 |
| 575-029ST | 1-1/2 | 1-5/8 | .05 | | 3 | 3.16 |
| 575-029T | 1-1/2 | 1-5/8 | .05 | .050 ⁺⁰⁰² / _{-.005} | 3 | 10.54 |
| 575-030ST | 1-5/8 | 1-3/4 | .05 | | 3 | 4.02 |

NORTH AMERICA
 PHONE 1-800-777-5617
 FAX 1-800-759-6391

SALES OFFICE HOURS
 8 A.M. TO 7:30 P.M. EASTERN TIME
 www.HerculesUS.com

WORLDWIDE
 PHONE 1-727-796-1300
 FAX 1-727-797-8849



STYLE 575 PTFE BACK-UP RINGS

BACK-UP RINGS

| Part Number | A Nom. ID | B Nom. OD | C Nom. Ht | th THICKNESS | Package Quantity | List Price |
|------------------|-----------|-----------|-----------|---------------------|------------------|------------|
| 575-031T | 1-3/4 | 1-7/8 | .05 | .050 +.002 -.005 | 2 | 7.82 |
| 575-032T | 1-7/8 | 2 | .05 | .050 +.002 -.005 | 2 | 7.82 |
| 575-033ST | 2 | 2-1/8 | .05 | | 2 | 7.30 |
| 575-033T | 2 | 2-1/8 | .05 | .050 +.002 -.005 | 2 | 7.82 |
| 575-034T | 2-1/8 | 2-1/4 | .05 | .050 +.002 -.005 | 2 | 7.82 |
| 575-036T | 2-3/8 | 2-1/2 | .05 | .050 +.002 -.005 | 2 | 7.82 |
| 575-037T | 2-1/2 | 2-5/8 | .05 | .050 +.002 -.005 | 2 | 7.82 |
| 575-038ST | 2-5/8 | 2-3/4 | .05 | | 1 | 4.05 |
| 575-038T | 2-5/8 | 2-3/4 | .05 | .050 +.002 -.005 | 2 | 7.82 |
| 575-039T | 2-3/4 | 2-7/8 | .05 | .050 +.002 -.005 | 2 | 7.82 |
| 575-041T | 3 | 3-1/8 | .05 | .050 +.002 -.005 | 2 | 9.88 |
| 575-044T | 3-3/4 | 3-7/8 | .05 | .050 +.002 -.005 | 2 | 16.94 |
| 575-045T | 4 | 4-1/8 | .05 | .050 +.002 -.005 | 2 | 13.12 |
| 3/32" C/S | | | | | | |
| 575-110ST | 3/8 | 9/16 | .05 | | 6 | \$2.06 |
| 575-111ST | 7/16 | 5/8 | .05 | | 5 | 2.19 |
| 575-111T | 7/16 | 5/8 | .05 | .050 +.002 -.005 | 1 | 0.29 |
| 575-112ST | 1/2 | 11/16 | .05 | | 5 | 2.31 |
| 575-112T | 1/2 | 11/16 | .05 | .050 +.002 -.005 | 5 | 2.47 |
| 575-112TS | 1/2 | 11/16 | .05 | | 5 | 5.00 |
| 575-113ST | 9/16 | 3/4 | .05 | | 5 | 2.54 |
| 575-114ST | 5/8 | 13/16 | .05 | | 4 | 2.65 |
| 575-114T | 5/8 | 13/16 | .05 | .050 +.002 -.005 | 5 | 2.84 |
| 575-115ST | 11/16 | 7/8 | .05 | .050 +.002 -.005 | 4 | 2.83 |
| 575-116ST | 3/4 | 15/16 | .05 | | 8 | 2.83 |
| 575-116T | 3/4 | 15/16 | .05 | .050 +.002 -.005 | 4 | 3.13 |
| 575-116TS | 3/4 | 15/16 | .05 | | 5 | 5.59 |
| 575-117ST | 13/16 | 1 | .05 | | 4 | 2.92 |
| 575-117T | 13/16 | 1 | .05 | .050 +.002 -.005 | 4 | 3.13 |
| 575-118ST | 7/8 | 1-1/16 | .05 | | 4 | 3.30 |
| 575-118T | 7/8 | 1-1/16 | .05 | .050 +.002 -.005 | 4 | 3.54 |
| 575-118TS | 7/8 | 1-1/16 | .05 | | 4 | 3.54 |
| 575-119ST | 15/16 | 1-1/8 | .05 | | 10 | 3.53 |
| 575-119T | 15/16 | 1-1/8 | .05 | .050 +.002 -.005 | 3 | 3.78 |
| 575-120ST | 1 | 1-3/16 | .05 | | 3 | 3.58 |
| 575-120T | 1 | 1-3/16 | .05 | .050 +.002 -.005 | 3 | 3.84 |
| 575-121ST | 1-1/16 | 1-1/4 | .05 | | 3 | 3.58 |
| 575-122ST | 1-1/8 | 1-5/16 | .05 | | 3 | 3.58 |
| 575-122T | 1-1/8 | 1-5/16 | .05 | .050 +.002 -.005 | 3 | 3.90 |
| 575-123ST | 1-3/16 | 1-3/8 | .05 | | 6 | 3.88 |
| 575-124ST | 1-1/4 | 1-7/16 | .05 | | 6 | 3.88 |
| 575-125ST | 1-5/16 | 1-1/2 | .05 | | 6 | 3.94 |

FORMERLY LISTED SEALS ARE AVAILABLE ONLINE AT WWW.HERCULESUS.COM
OR BY CONTACTING YOUR REGIONAL HERCULES SALES TEAM.



STYLE 575 PTFE BACK-UP RINGS

BACK-UP RINGS

| Part Number | A Nom. ID | B Nom. OD | C Nom. Ht | th THICKNESS | Package Quantity | List Price |
|-----------------|-----------|-----------|-----------|---------------------|------------------|------------|
| 575-126ST | 1-3/8 | 1-9/16 | .05 | | 3 | 3.94 |
| 575-127ST | 1-7/16 | 1-5/8 | .05 | | 3 | 3.94 |
| 575-128ST | 1-1/2 | 1-11/16 | .05 | | 3 | 4.05 |
| 575-129ST | 1-9/16 | 1-3/4 | .05 | | 3 | 4.13 |
| 575-130ST | 1-5/8 | 1-13/16 | .05 | | 3 | 4.23 |
| 575-131ST | 1-11/16 | 1-7/8 | .05 | | 3 | 4.23 |
| 575-131T | 1-11/16 | 1-7/8 | .05 | .050 +.002 -.005 | 3 | 2.20 |
| 575-132ST | 1-3/4 | 1-15/16 | .05 | | 3 | 4.43 |
| 575-133ST | 1-13/16 | 2 | .05 | | 3 | 4.43 |
| 575-133T | 1-13/16 | 2 | .05 | .050 +.002 -.005 | 1 | 1.70 |
| 575-134ST | 1-7/8 | 2-1/16 | .05 | | 3 | 4.72 |
| 575-134TS | 1-7/8 | 2-1/16 | .05 | | 1 | 9.12 |
| 575-135ST | 1-15/16 | 2-1/8 | .05 | | 3 | 4.85 |
| 575-136ST | 2 | 2-3/16 | .05 | | 3 | 5.11 |
| 575-137ST | 2-1/16 | 2-1/4 | .05 | | 3 | 5.36 |
| 575-138ST | 2-1/8 | 2-5/16 | .05 | | 2 | 5.82 |
| 575-139T | 2-3/16 | 2-3/8 | .05 | .050 +.002 -.005 | 2 | 6.68 |
| 575-139TS | 2-3/16 | 2-3/8 | .05 | | 1 | 10.99 |
| 575-140T | 2-1/4 | 2-7/16 | .05 | .050 ±.002 | 2 | 6.68 |
| 575-140TS | 2-1/4 | 2-7/16 | .05 | | 1 | 12.03 |
| 575-141T | 2-5/16 | 2-1/2 | .05 | .050 ±.002 | 2 | 7.06 |
| 575-143ST | 2-7/16 | 2-5/8 | .05 | .0625 | 2 | 1.23 |
| 575-144ST | 2-1/2 | 2-11/16 | .05 | | 2 | 7.19 |
| 575-146T | 2-5/8 | 2-13/16 | .05 | .050 ±.002 | 2 | 7.92 |
| 575-148T | 2-3/4 | 2-15/16 | .05 | .050 ±.002 | 2 | 8.34 |
| 575-149T | 2-13/16 | 3 | .05 | .050 ±.002 | 2 | 8.75 |
| 575-152T | 3-1/4 | 3-7/16 | .05 | .050 +.002 -.005 | 2 | 9.41 |
| 575-159T | 5 | 5-3/16 | .05 | .050 +.002 -.005 | 1 | 27.78 |
| 1/8" C/S | | | | | | |
| 575-206ST | 1/2 | 3/4 | .05 | .050 +.002 -.005 | 6 | \$ 1.21 |
| 575-210ST | 3/4 | 1 | .05 | | 4 | 2.65 |
| 575-210T | 3/4 | 1 | .05 | .050 +.002 -.005 | 4 | 2.84 |
| 575-211ST | 13/16 | 1-1/16 | .05 | | 6 | 2.92 |
| 575-212ST | 7/8 | 1-1/8 | .05 | | 4 | 3.05 |
| 575-212T | 7/8 | 1-1/8 | .05 | .050 +.002 -.005 | 2 | 3.13 |
| 575-212TS | 7/8 | 1-1/8 | .05 | | 1 | 6.78 |
| 575-212TW | 7/8 | 1-1/8 | .085 | | 1 | 7.03 |
| 575-213ST | 15/16 | 1-3/16 | .05 | .050 ±.002 | 4 | 3.05 |
| 575-214ST | 1 | 1-1/4 | .05 | | 4 | 3.06 |
| 575-214T | 1 | 1-1/4 | .05 | .050 +.002 -.005 | 6 | 1.91 |
| 575-215ST | 1-1/16 | 1-5/16 | .05 | | 4 | 3.06 |
| 575-216ST | 1-1/8 | 1-3/8 | .05 | | 4 | 3.06 |
| 575-217ST | 1-3/16 | 1-7/16 | .05 | | 4 | 3.41 |
| 575-218ST | 1-1/4 | 1-1/2 | .05 | | 5 | 3.74 |
| 575-218T | 1-1/4 | 1-1/2 | .05 | .050 +.002 -.005 | 5 | 2.63 |
| 575-218TS | 1-1/4 | 1-1/2 | .05 | | 5 | 4.13 |
| 575-219ST | 1-5/16 | 1-9/16 | .05 | | 3 | 3.74 |
| 575-219T | 1-5/16 | 1-9/16 | .05 | .050 +.002 -.005 | 1 | 4.46 |
| 575-220ST | 1-3/8 | 1-5/8 | .05 | | 3 | 3.88 |



STYLE 575 PTFE BACK-UP RINGS

BACK-UP RINGS

| Part Number | A Nom. ID | B Nom. OD | C Nom. Ht | th THICKNESS | Package Quantity | List Price |
|-------------|-----------|-----------|-----------|---------------------|------------------|------------|
| 575-220T | 1-3/8 | 1-5/8 | .05 | .050 +.002 -.005 | 2 | 2.46 |
| 575-220TS | 1-3/8 | 1-5/8 | .05 | | 1 | 6.07 |
| 575-221ST | 1-7/16 | 1-11/16 | .05 | | 3 | 3.88 |
| 575-221T | 1-7/16 | 1-11/16 | .05 | .050 +.002 -.005 | 3 | 4.16 |
| 575-222ST | 1-1/2 | 1-3/4 | .05 | | 3 | 4.13 |
| 575-222TS | 1-1/2 | 1-3/4 | .05 | | 3 | 5.49 |
| 575-223T | 1-5/8 | 1-7/8 | .05 | .050 +.002 -.005 | 2 | 4.84 |
| 575-223TS | 1-5/8 | 1-7/8 | .05 | | 1 | 5.69 |
| 575-224ST | 1-3/4 | 2 | .05 | | 3 | 4.50 |
| 575-224T | 1-3/4 | 2 | .05 | .050 +.002 -.005 | 3 | 4.14 |
| 575-224TS | 1-3/4 | 2 | .05 | | 1 | 8.73 |
| 575-225ST | 1-7/8 | 2-1/8 | .05 | | 3 | 4.68 |
| 575-226ST | 2 | 2-1/4 | .05 | | 5 | 4.68 |
| 575-226TS | 2 | 2-1/4 | .05 | | 2 | 5.69 |
| 575-227ST | 2-1/8 | 2-3/8 | .05 | | 3 | 4.98 |
| 575-228ST | 2-1/4 | 2-1/2 | .05 | | 2 | 5.50 |
| 575-229ST | 2-3/8 | 2-5/8 | .05 | | 2 | 6.13 |
| 575-230ST | 2-1/2 | 2-3/4 | .05 | | 2 | 6.31 |
| 575-230T | 2-1/2 | 2-3/4 | .05 | .050 +.002 -.005 | 2 | 6.91 |
| 575-231T | 2-5/8 | 2-7/8 | .05 | .050 ±.002 | 2 | 6.91 |
| 575-232T | 2-3/4 | 3 | .05 | .050 ±.002 | 2 | 7.06 |
| 575-232TS | 2-3/4 | 3 | .05 | | 2 | 9.71 |
| 575-232TW | 2-3/4 | 3 | .085 | | 1 | 12.89 |
| 575-233T | 2-7/8 | 3-1/8 | .05 | .050 ±.002 | 2 | 7.32 |
| 575-234T | 3 | 3-1/4 | .05 | .050 ±.002 | 2 | 7.77 |
| 575-235ST | 3-1/8 | 3-3/8 | .05 | | 2 | 8.86 |
| 575-235T | 3-1/8 | 3-3/8 | .05 | .050 ±.002 | 2 | 7.82 |
| 575-236T | 3-1/4 | 3-1/2 | .05 | .050 ±.002 | 2 | 8.17 |
| 575-237T | 3-3/8 | 3-5/8 | .05 | .050 ±.002 | 2 | 8.64 |
| 575-238T | 3-1/2 | 3-3/4 | .05 | .050 ±.002 | 2 | 9.14 |
| 575-239ST | 3-5/8 | 3-7/8 | .05 | | 2 | 9.15 |
| 575-239T | 3-5/8 | 3-7/8 | .05 | .050 ±.002 | 2 | 9.80 |
| 575-240T | 3-3/4 | 4 | .05 | .050 ±.002 | 2 | 14.47 |
| 575-240TS | 3-3/4 | 4 | .05 | | 2 | 10.83 |
| 575-241ST | 3-7/8 | 4-1/8 | .05 | | 2 | 9.15 |
| 575-242T | 4 | 4-1/4 | .05 | .050 ±.002 | 2 | 10.18 |
| 575-243ST | 4-1/8 | 4-3/8 | .05 | | 2 | 10.52 |
| 575-244T | 4-1/4 | 4-1/2 | .05 | .050 ±.002 | 1 | 10.18 |
| 575-245T | 4-3/8 | 4-5/8 | .05 | .050 ±.002 | 2 | 10.18 |
| 575-246T | 4-1/2 | 4-3/4 | .05 | .050 ±.002 | 1 | 10.48 |
| 575-247T | 4-5/8 | 4-7/8 | .05 | .050 ±.002 | 2 | 10.83 |
| 575-248T | 4-3/4 | 5 | .05 | .050 +.002 -.005 | 2 | 11.22 |
| 575-249ST | 4-7/8 | 5-1/8 | .05 | | 1 | 11.34 |
| 575-249T | 4-7/8 | 5-1/8 | .05 | .050 +.002 -.005 | 1 | 12.15 |
| 575-250T | 5 | 5-1/4 | .05 | .050 +.002 -.005 | 1 | 13.19 |
| 575-252T | 5-1/4 | 5-1/2 | .05 | .050 +.002 -.005 | 1 | 13.95 |
| 575-253T | 5-3/8 | 5-5/8 | .05 | .050 +.002 -.005 | 1 | 14.08 |
| 575-254T | 5-1/2 | 5-3/4 | .05 | .050 +.002 -.005 | 1 | 14.80 |
| 575-256T | 5-3/4 | 6 | .05 | .050 +.002 -.005 | 1 | 16.43 |

FORMERLY LISTED SEALS ARE AVAILABLE ONLINE AT WWW.HERCULESUS.COM
OR BY CONTACTING YOUR REGIONAL HERCULES SALES TEAM.



STYLE 575 PTFE BACK-UP RINGS

BACK-UP RINGS

| Part Number | A Nom. ID | B Nom. OD | C Nom. Ht | th THICKNESS | Package Quantity | List Price |
|---------------------|-----------|-----------|-----------|---|------------------|------------|
| 575-258T | 6 | 6-1/4 | .05 | .050 ^{+0.002} / _{-.005} | 1 | 18.09 |
| 575-260T | 6-1/2 | 6-3/4 | .05 | .050 ^{+0.002} / _{-.005} | 1 | 19.85 |
| 575-261T | 6-3/4 | 7 | .05 | .050 ^{+0.002} / _{-.005} | 1 | 23.57 |
| 575-262TS | 7 | 7-1/4 | .05 | | 1 | 22.86 |
| 575-263ST | 7-1/4 | 7-1/2 | .05 | | 1 | 30.42 |
| .167" C/S | | | | | | |
| 575-6.66X7.00X0.08T | 6.666 | 7 | .08 | .080 ±.005 | | \$34.31 |
| 3/16" C/S | | | | | | |
| 575-320T | 1-1/8 | 1-1/2 | .07 | .070 ±.005 | 2 | \$8.85 |
| 575-325ST | 1-1/2 | 1-7/8 | .07 | | 2 | 7.79 |
| 575-325T | 1-1/2 | 1-7/8 | .07 | .070 ±.005 | 2 | 7.53 |
| 575-326ST | 1-5/8 | 2 | .07 | | 2 | 7.79 |
| 575-326T | 1-5/8 | 2 | .07 | .070 ±.005 | 1 | 7.83 |
| 575-327ST | 1-3/4 | 2-1/8 | .07 | .070 | 2 | 8.86 |
| 575-328ST | 1-7/8 | 2-1/4 | .07 | | 2 | 5.79 |
| 575-329ST | 2 | 2-3/8 | .07 | | 1 | 9.32 |
| 575-330ST | 2-1/8 | 2-1/2 | .07 | | 2 | 9.39 |
| 575-330T | 2-1/8 | 2-1/2 | .07 | .070 ±.005 | 2 | 10.06 |
| 575-332TS | 2-3/8 | 2-3/4 | .07 | .036 ^{+0.000} / _{-.005} | 1 | 8.21 |
| 575-333ST | 2-1/2 | 2-7/8 | .07 | | 2 | 10.21 |
| 575-333T | 2-1/2 | 2-7/8 | .07 | .070 ±.005 | 2 | 10.93 |
| 575-333TS | 2-1/2 | 2-7/8 | .07 | .036 ^{+0.000} / _{-.005} | 1 | 9.41 |
| 575-334ST | 2-5/8 | 3 | .07 | | 2 | 10.44 |
| 575-334TS | 2-5/8 | 3 | .07 | | 1 | 11.19 |
| 575-335T | 2-3/4 | 3-1/8 | .07 | .070 ±.005 | 1 | 12.09 |
| 575-336ST | 2-7/8 | 3-1/4 | .07 | | 1 | 11.49 |
| 575-337TS | 3 | 3-3/8 | .07 | .036 ^{+0.000} / _{-.005} | 1 | 11.33 |
| 575-338ST | 3-1/8 | 3-1/2 | .07 | | 1 | 11.73 |
| 575-338T | 3-1/8 | 3-1/2 | .07 | .070 ±.005 | 1 | 8.30 |
| 575-338TS | 3-1/8 | 3-1/2 | .07 | .036 ^{+0.000} / _{-.005} | 1 | 11.60 |
| 575-340ST | 3-3/8 | 3-3/4 | .07 | | 1 | 11.93 |
| 575-340TS | 3-3/8 | 3-3/4 | .07 | | 1 | 12.79 |
| 575-341ST | 3-1/2 | 3-7/8 | .07 | | 1 | 12.40 |
| 575-342ST | 3-5/8 | 4 | .07 | | 1 | 12.71 |
| 575-344ST | 3-7/8 | 4-1/4 | .07 | | 1 | 14.60 |
| 575-344TS | 3-7/8 | 4-1/4 | .07 | .036 ^{+0.000} / _{-.005} | 1 | 12.69 |
| 575-345ST | 4 | 4-3/8 | .07 | | 2 | 7.36 |
| 575-345TS | 4 | 4-3/8 | .07 | | 1 | 18.96 |
| 575-346ST | 4-1/8 | 4-1/2 | .07 | | 1 | 16.44 |
| 575-346TS | 4-1/8 | 4-1/2 | .07 | .036 ^{+0.000} / _{-.005} | 1 | 13.03 |
| 575-348TS | 4-3/8 | 4-3/4 | .07 | .036 ^{+0.000} / _{-.005} | 1 | 19.35 |
| 575-349T | 4-1/2 | 4-7/8 | .07 | .070 ±.005 | 1 | 12.55 |
| 575-349TS | 4-1/2 | 4-7/8 | .07 | | 1 | 14.08 |
| 575-350ST | 4-5/8 | 5 | .07 | | 1 | 18.46 |
| 575-354ST | 5-1/8 | 5-1/2 | .07 | | 1 | 18.90 |
| 575-356ST | 5-3/8 | 5-3/4 | .07 | | 1 | 27.16 |
| 575-359T | 5-3/4 | 6-1/8 | .07 | .070 ±.005 | 1 | 21.38 |
| 575-360T | 5-7/8 | 6-1/4 | .07 | .070 ±.005 | 1 | 20.72 |
| 575-361T | 6 | 6-3/8 | .07 | .070 ±.005 | 1 | 26.22 |
| 575-362ST | 6-1/4 | 6-5/8 | .07 | | 1 | 28.95 |



STYLE 575 PTFE BACK-UP RINGS

| Part Number | A Nom. ID | B Nom. OD | C Nom. Ht | th THICKNESS | Package Quantity | List Price |
|--------------------|-----------|-----------|-----------|--------------|------------------|------------|
| 575-363T | 6-1/2 | 6-7/8 | .07 | .070 ±.005 | 1 | 29.97 |
| 575-363TS | 6-1/2 | 6-7/8 | .07 | | 1 | 24.85 |
| 575-364T | 6-3/4 | 7-1/8 | .07 | .070 ±.005 | 1 | 23.88 |
| 575-365T | 7 | 7-3/8 | .07 | .070 ±.005 | 1 | 24.61 |
| 575-367ST | 7-1/2 | 7-7/8 | .07 | | 1 | 30.74 |
| 575-369ST | 8 | 8-3/8 | .07 | | 1 | 33.05 |
| 575-375T | 9-1/2 | 9-7/8 | .07 | .070 ±.005 | 1 | 37.75 |
| 575-379T | 11 | 11-3/8 | .07 | .070 ±.005 | 1 | 46.73 |
| 1/4" C/S | | | | | | |
| 575-413ST | 3 | 3-1/2 | .108 | | 1 | \$27.01 |
| 575-425ST | 4-1/2 | 5 | .108 | | 1 | 23.11 |
| 575-426ST | 4-5/8 | 5-1/8 | .108 | | 1 | 18.50 |
| 575-427ST | 4-3/4 | 5-1/4 | .108 | | 1 | 23.33 |
| 575-430ST | 5-1/8 | 5-5/8 | .108 | .108 ±.002 | 1 | 27.25 |
| 575-431T | 5-1/4 | 5-3/4 | .108 | .105 ±.005 | 1 | 31.05 |
| 575-433ST | 5-1/2 | 6 | .108 | | 1 | 34.03 |
| 575-436ST | 5-7/8 | 6-3/8 | .108 | | 1 | 37.08 |
| 575-437T | 6 | 6-1/2 | .108 | .105 ±.005 | 1 | 40.63 |
| 575-438T | 6-1/4 | 6-3/4 | .108 | .108 ±.002 | 1 | 42.21 |
| 575-439T | 6-1/2 | 7 | .108 | .108 ±.002 | 1 | 42.12 |
| 575-440ST | 6-3/4 | 7-1/4 | .108 | | 1 | 40.49 |
| 575-443T | 7-1/2 | 8 | .108 | .108 ±.002 | 1 | 46.49 |
| 575-445TS | 8 | 8-1/2 | .108 | | 1 | 47.15 |
| 575-446T | 8-1/2 | 9 | .108 | .108 ±.002 | 1 | 73.02 |
| 575-447T | 9 | 9-1/2 | .108 | .108 ±.002 | 1 | 63.91 |
| 575-448T | 9-1/2 | 10 | .108 | .108 ±.002 | 1 | 57.33 |
| 575-450T | 10-1/2 | 11 | .108 | .108 ±.002 | 1 | 67.22 |
| 575-451T | 11 | 11-1/2 | .108 | .108 ±.002 | 1 | 72.96 |
| 575-452T | 11-1/2 | 12 | .108 | .108 ±.002 | 1 | 76.36 |
| 575-454T | 12-1/2 | 13 | .108 | .108 ±.002 | 1 | 80.74 |
| .29" C/S | | | | | | |
| 575-5X0.128X0.29BT | 5 | 5.59 | .128 | .128 | | \$22.11 |

BACK-UP RINGS

STYLE 575 PTFE BACK-UP RINGS - SPECIAL SIZES

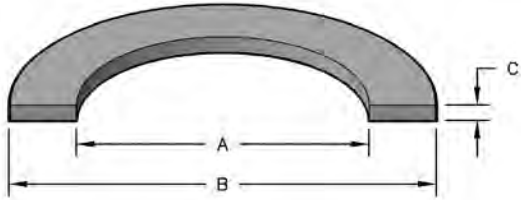
| Part Number | A Nom. ID | B Nom. OD | C Nom. Ht | Nom. Cross Section | th THICKNESS | Package Quantity | List Price |
|---------------------|-----------|-----------|-----------|--------------------|--------------|------------------|------------|
| 575-1-3/16X1-1/2T | 1-3/16 | 1-1/2 | 1/16 | 5/32 | .062 | 1 | \$7.92 |
| 575-2.4X2.6X.06ST | 2.457 | 2.687 | 1/16 | .115 | .060 | 1 | 8.12 |
| 575-2.7X2.9X.06ST | 2.707 | 2.937 | 1/16 | .115 | .060 | 1 | 8.58 |
| 575-5.5X6.12T | 5-1/2 | 6-1/8 | 1/16 | 5/16 | .062 | 1 | 26.09 |
| 575-6.12X7ST | 6-1/8 | 7 | 1/8 | 7/16 | .125 | 1 | 52.43 |
| 575-7X8T | 7 | 8 | 1/8 | 1/2 | .125 | 1 | 48.08 |
| 575-7.75X8.75X.125T | 7-3/4 | 8-3/4 | 1/8 | 1/2 | .125 | 1 | 71.21 |
| 575-9X10T | 9 | 10 | 1/8 | 1/2 | .125 | 1 | 74.34 |
| 575-13X14T | 13 | 14 | 9/64 | 1/2 | .140 | 1 | 107.77 |

Seal color may vary. Special order sizes are available. Sizes not shown and out of stock items can also be ordered for next day delivery through Seals On Demand, our custom seal program. Please call your regional sales team for assistance.

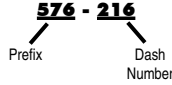
**FORMERLY LISTED SEALS ARE AVAILABLE ONLINE AT WWW.HERCULESUS.COM
OR BY CONTACTING YOUR REGIONAL HERCULES SALES TEAM.**



STYLE 576 SPLIT NYLON BACK-UP RINGS



HERCULES PART NUMBERS



SEAL INFORMATION

| | |
|-------------------|---|
| MATERIAL | NYLON |
| TEMPERATURE RANGE | -40° TO +250° F |
| PRESSURE RANGE | VARIABLE ACCORDING TO DIAMETRAL CLEARANCE |

BACK-UP RINGS

| Part Number | A Nom. ID | B Nom. OD | C Nom. Ht | List Price |
|--------------------|-----------|-----------|-----------|------------|
| 1/8" C/S | | | | |
| 576-216 | 1-1/8 | 1-3/8 | .06 | \$10.31 |
| 576-2.37X.125 | 2-3/8 | 2-5/8 | .07 | 50.34 |
| 576-2.50X.125 | 2-1/2 | 2-3/4 | .07 | 6.74 |
| 3/16" C/S | | | | |
| 576-314 | 3/4 | 1-1/8 | .07 | \$5.13 |
| 576-320 | 1-1/8 | 1-1/2 | .07 | 5.26 |
| 576-324 | 1-3/8 | 1-3/4 | .07 | 5.42 |
| 576-325 | 1-1/2 | 1-7/8 | .07 | 5.52 |
| 576-326 | 1-5/8 | 2 | .07 | 5.69 |
| 576-327 | 1-3/4 | 2-1/8 | .07 | 5.81 |
| 576-328 | 1-7/8 | 2-1/4 | .07 | 5.94 |
| 576-329 | 2 | 2-3/8 | .06 | 6.08 |
| 576-330 | 2-1/8 | 2-1/2 | .07 | 6.19 |
| 576-331 | 2-1/4 | 2-5/8 | .07 | 27.60 |
| 576-332 | 2-3/8 | 2-3/4 | .06 | 18.09 |
| 576-333 | 2-1/2 | 2-7/8 | .06 | 6.31 |
| 576-334 | 2-5/8 | 3 | .06 | 6.49 |
| 576-2.62X3.00X.085 | 2-5/8 | 3 | .085 | 3.11 |
| 576-338 | 3-1/8 | 3-1/2 | .06 | 6.56 |
| 576-5.75X.185 | 5-3/4 | 6-1/8 | .185 | 41.79 |
| .205" C/S | | | | |
| 576-8.24X8.65X0.08 | 8.236 | 8.646 | .08 | \$18.75 |
| 1/4" C/S | | | | |
| 576-407 | 2-1/4 | 2-3/4 | .07 | \$5.28 |
| 576-408 | 2-3/8 | 2-7/8 | .07 | 7.71 |
| 576-409 | 2-1/2 | 3 | .07 | 5.49 |
| 576-2.62X3.12X.06 | 2-5/8 | 3-1/8 | .06 | 26.00 |
| 576-411 | 2-3/4 | 3-1/4 | .07 | 5.73 |
| 576-412 | 2-7/8 | 3-3/8 | .07 | 5.91 |
| 576-413 | 3 | 3-1/2 | .07 | 6.34 |
| 576-415 | 3-1/4 | 3-3/4 | .07 | 6.54 |
| 576-417 | 3-1/2 | 4 | .07 | 6.78 |
| 576-418-1/2 | 3-11/16 | 4-3/16 | .07 | 6.98 |
| 576-419 | 3-3/4 | 4-1/4 | .07 | 7.15 |
| 576-421 | 4 | 4-1/2 | .07 | 7.40 |
| 576-423-1 | 4-1/4 | 4-3/4 | .07 | 11.69 |
| 576-425 | 4-1/2 | 5 | .07 | 7.59 |
| 576-427 | 4-3/4 | 5-1/4 | .07 | 7.71 |
| 576-429 | 5 | 5-1/2 | .07 | 7.71 |
| 576-433 | 5-1/2 | 6 | .12 | 7.81 |
| 9/32" C/S | | | | |

| Part Number | A Nom. ID | B Nom. OD | C Nom. Ht | List Price |
|---------------------|-----------|-----------|-----------|------------|
| 576-3.18X3.75 | 3-3/16 | 3-3/4 | .07 | \$6.74 |
| .29" C/S | | | | |
| 576-5.75X6.33X0.125 | 5.755 | 6.335 | 1/8 | \$20.67 |
| .2975" C/S | | | | |
| 576-3.4X4.0X1/8 | 3.405 | 4 | 1/8 | \$7.59 |
| 3/8" C/S | | | | |
| 576-4.5X5.2 | 4-1/2 | 5-1/4 | .13 | \$8.28 |
| 576-5.5X6.25 | 5-1/2 | 6-1/4 | .187 | 10.05 |
| 576-6.00X6.75X.125 | 6 | 6-3/4 | 1/8 | 49.84 |
| 1/2" C/S | | | | |
| 576-4X5 | 4 | 5 | 1/8 | \$26.78 |
| 576-6X7 | 6 | 7 | 1/8 | 14.03 |

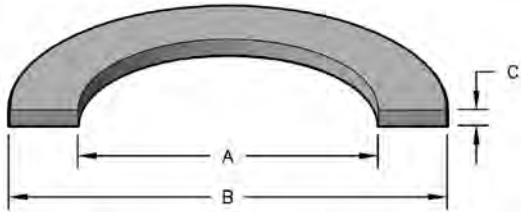
NORTH AMERICA
 PHONE 1-800-777-5617
 FAX 1-800-759-6391

SALES OFFICE HOURS
 8 A.M. TO 7:30 P.M. EASTERN TIME
 www.HerculesUS.com

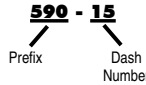
WORLDWIDE
 PHONE 1-727-796-1300
 FAX 1-727-797-8849

STYLE 590 HIGH PERFORMANCE BACK-UP RINGS

Style 590 Back-up Rings feature exceptional strength and abrasion resistance along with a 53 Shore D hardness rating which makes them suitable for high pressure service where extrusion is a problem. Primarily used as a u-seal back-up, these rings can be used with o-rings. They also retrofit urethane and PTFE back-up rings, with greater performance characteristics. "S" suffix designates a split ring.



HERCULES PART NUMBERS



| SEAL INFORMATION | |
|-------------------|---|
| MATERIAL | HIGH PERFORMANCE URETHANE |
| TEMPERATURE RANGE | -40° TO +275° F |
| PRESSURE RANGE | VARIABLE ACCORDING TO DIAMETRAL CLEARANCE |

BACK-UP RINGS

| Part Number | A Nom. ID | B Nom. OD | C Nom. Ht | th THICKNESS | List Price |
|------------------|-----------|-----------|-----------|--------------|------------|
| 1/8" C/S | | | | | |
| 590-15 | 1/2 | 3/4 | 1/16 | .062 ±.005 | \$ 1.30 |
| 590-17 | 5/8 | 7/8 | 1/16 | .062 ±.005 | 1.37 |
| 590-19S | 3/4 | 1 | 1/16 | .062 ±.005 | 1.43 |
| 590-214 | 1 | 1-1/4 | 1/16 | .063 ±.005 | 0.70 |
| 590-227 | 2-1/8 | 2-3/8 | 1/16 | .050 ±.005 | 1.37 |
| 590-228 | 2-1/4 | 2-1/2 | 1/16 | .050 ±.005 | 10.90 |
| 590-237 | 3-3/8 | 3-5/8 | 1/16 | .050 ±.005 | 1.81 |
| 590-239 | 3-5/8 | 3-7/8 | 1/16 | .050 ±.005 | 1.83 |
| 5/32" C/S | | | | | |
| 590-32 | 1 | 1-5/16 | 1/16 | .062 ±.005 | \$ 1.70 |
| 590-34S | 1-3/16 | 1-1/2 | 1/16 | .062 ±.005 | 1.80 |
| 590-36 | 1-3/8 | 1-11/16 | 1/16 | .062 ±.005 | 1.86 |
| 3/16" C/S | | | | | |
| 590-324 | 1-3/8 | 1-3/4 | 1/16 | .0625 ±.005 | \$ 1.06 |
| 590-325 | 1-1/2 | 1-7/8 | 1/16 | .0625 ±.005 | 1.12 |
| 590-45 | 1-5/8 | 2 | 1/16 | .062 ±.005 | 2.20 |
| 590-45S | 1-5/8 | 2 | 1/16 | .062 ±.005 | 2.20 |
| 590-46 | 1-3/4 | 2-1/8 | 1/16 | .062 ±.005 | 2.34 |
| 590-48 | 2 | 2-3/8 | 1/16 | .062 ±.005 | 2.50 |
| 590-49 | 2-1/8 | 2-1/2 | 1/16 | .062 ±.005 | 2.57 |
| 590-49S | 2-1/8 | 2-1/2 | 1/16 | .062 ±.005 | 2.57 |
| 590-338 | 3-1/8 | 3-1/2 | 1/16 | .070 ±.005 | 2.61 |
| 590-341 | 3-1/2 | 3-7/8 | 1/16 | .070 ±.006 | 3.08 |
| 590-345 | 4 | 4-3/8 | 1/16 | .070 ±.006 | 3.75 |
| 590-346 | 4-1/8 | 4-1/2 | 1/16 | .070 ±.006 | 3.88 |
| 590-347 | 4-1/4 | 4-5/8 | 1/16 | .070 ±.006 | 7.21 |
| 590-349 | 4-1/2 | 4-7/8 | 1/16 | .070 ±.006 | 4.37 |
| 590-352 | 4-7/8 | 5-1/4 | 1/16 | .070 ±.006 | 7.41 |
| 590-354 | 5-1/8 | 5-1/2 | 1/16 | .070 ±.006 | 5.21 |
| 590-358 | 5-5/8 | 6 | 1/16 | .070 ±.006 | 7.66 |
| 7/32" C/S | | | | | |

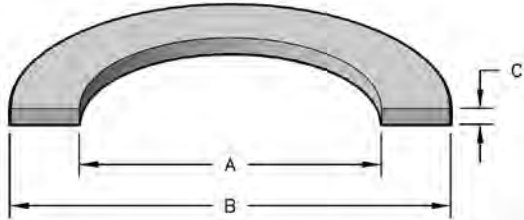
| Part Number | A Nom. ID | B Nom. OD | C Nom. Ht | th THICKNESS | List Price |
|-------------------|-----------|-----------|-----------|--------------|------------|
| 590-54 | 2-1/2 | 2-15/16 | 1/16 | .062 ±.005 | \$ 2.87 |
| 590-57 | 2-13/16 | 3-1/4 | 1/16 | .062 ±.005 | 2.99 |
| 590-57S | 2-13/16 | 3-1/4 | 1/16 | .062 ±.005 | 2.99 |
| 590-58 | 3 | 3-7/16 | 1/16 | .062 ±.005 | 3.98 |
| 1/4" C/S | | | | | |
| 590-66 | 3-1/2 | 4 | 1/16 | .062 ±.005 | \$ 4.78 |
| 590-66S | 3-1/2 | 4 | 1/16 | .062 ±.005 | 4.78 |
| 590-68 | 4 | 4-1/2 | 1/16 | .062 ±.005 | 5.06 |
| 590-70 | 4-1/2 | 5 | 1/16 | .062 ±.005 | 5.27 |
| 590-70S | 4-1/2 | 5 | 1/16 | .062 ±.005 | 5.27 |
| 9/32" C/S | | | | | |
| 590-73S | 4-7/16 | 5 | 1/16 | .062 ±.005 | \$ 5.67 |
| 590-75 | 5 | 5-9/16 | 1/16 | .062 ±.005 | 6.05 |
| 590-5.43X6S | 5-7/16 | 6 | 1/16 | .062 ±.005 | 7.74 |
| 590-6.43X7S | 6-7/16 | 7 | 1/16 | .062 ±.005 | 34.76 |
| 5/16" C/S | | | | | |
| 590-79 | 5-3/8 | 6 | 1/16 | .062 ±.005 | \$ 6.20 |
| 590-79S | 5-3/8 | 6 | 1/16 | .062 ±.005 | 6.20 |
| 590-5.5X6.12 | 5-1/2 | 6-1/8 | 1/16 | .062 ±.005 | 9.34 |
| 590-83 | 6-3/8 | 7 | 1/16 | .062 ±.005 | 27.29 |
| 590-83S | 6-3/8 | 7 | 1/16 | .062 ±.005 | 27.29 |
| 590-84 | 7-3/8 | 8 | 1/16 | .062 ±.005 | 30.07 |
| 590-84S | 7-3/8 | 8 | 1/16 | .062 ±.005 | 30.07 |
| 11/32" C/S | | | | | |
| 590-85S | 9-5/16 | 10 | 1/16 | .062 ±.005 | \$ 47.42 |
| 3/8" C/S | | | | | |
| 590-86S | 11-1/4 | 12 | 1/16 | .062 ±.005 | \$ 43.63 |
| 13/32" C/S | | | | | |
| 590-13.18X14S | 13-3/16 | 14 | 1/16 | .062 ±.005 | \$ 50.39 |
| 1/2" C/S | | | | | |
| 590-11X12S | 11 | 12 | 1/16 | .062 ±.005 | \$ 81.74 |
| 590-87S | 13 | 14 | 1/16 | .062 ±.005 | 96.20 |

FORMERLY LISTED SEALS ARE AVAILABLE ONLINE AT WWW.HERCULESUS.COM
OR BY CONTACTING YOUR REGIONAL HERCULES SALES TEAM.



STYLE 595 PTFE BACK-UP RINGS FOR U-SEALS

Used primarily as an anti-extrusion device for u-seals, these back-up rings combine high performance with very low friction. "ST" suffix designates a split ring.



HERCULES PART NUMBERS

595 - 15 T
 Prefix Dash Number

SEAL INFORMATION

| | |
|-------------------|---|
| MATERIAL | PTFE |
| TEMPERATURE RANGE | -100° TO +500° F |
| PRESSURE RANGE | VARIABLE ACCORDING TO DIAMETRAL CLEARANCE |

BACK-UP RINGS

| Part Number | A Nom. ID | B Nom. OD | C Nom. Ht | th THICKNESS | List Price |
|----------------|--------------|--------------|--------------|-----------------|------------|
| 595-15T | 1/2 | 3/4 | 1/16 | .062 ±.005 | \$8.61 |
| 595-17T | 5/8 | 7/8 | 1/16 | .062 ±.005 | 8.61 |
| 595-19ST | 3/4 | 1 | 1/16 | .062 ±.005 | 12.69 |
| 595-32T | 1 | 1-5/16 | 1/16 | .062 ±.005 | 6.58 |
| 595-34ST | 1-3/16 | 1-1/2 | 1/16 | .062 ±.005 | 13.03 |
| 595-36T | 1-3/8 | 1-11/16 | 1/16 | .062 ±.005 | 13.03 |
| 595-45ST | 1-5/8 | 2 | 1/16 | .062 ±.005 | 13.20 |
| 595-46T | 1-3/4 | 2-1/8 | 1/16 | .062 ±.005 | 14.54 |
| 595-48T | 2 | 2-3/8 | 1/16 | .062 ±.005 | 14.68 |
| 595-49ST | 2-1/8 | 2-1/2 | 1/16 | .062 ±.005 | 15.03 |
| 595-3.62X4X.09 | 3-5/8 | 4 | 3/32 | .090 ±.005 | 27.15 |
| 595-54T | 2-1/2 | 2-15/16 | 1/16 | .062 ±.005 | 16.03 |
| 595-57ST | 2-13/16 | 3-1/4 | 1/16 | .062 ±.005 | 10.53 |
| 595-58T | 3 | 3-7/16 | 1/16 | .062 ±.005 | 16.70 |
| 595-66ST | 3-1/2 | 4 | 1/16 | .062 ±.005 | 18.71 |
| 595-66T | 3-1/2 | 4 | 1/16 | .062 ±.005 | 18.71 |
| 595-68T | 4 | 4-1/2 | 1/16 | .062 ±.005 | 19.74 |
| 595-70ST | 4-1/2 | 5 | 1/16 | .062 ±.005 | 22.81 |
| 595-70T | 4-1/2 | 5 | 1/16 | .062 ±.005 | 22.81 |
| 595-73ST | 4-7/16 | 5 | 1/16 | .062 ±.005 | 16.93 |
| 595-75T | 5 | 5-9/16 | 1/16 | .062 ±.005 | 27.54 |
| 595-5.43X6ST | 5-7/16 | 6 | 1/16 | .062 ±.005 | 37.95 |
| 595-6.43X7ST | 6-7/16 | 7 | 1/16 | .062 ±.005 | 39.10 |
| 595-79ST | 5-3/8 | 6 | 1/16 | .062 ±.005 | 31.72 |
| 595-83ST | 6-3/8 | 7 | 1/16 | .062 ±.005 | 33.52 |
| 595-84ST | 7-3/8 | 8 | 1/16 | .062 ±.005 | 37.74 |
| 595-85ST | 9-5/16 | 10 | 1/16 | .062 ±.005 | 49.99 |
| 595-5.2X6T | 5-1/4 | 6 | 1/8 | .125 ±.005 | 37.88 |
| 595-86ST | 11-1/4 | 12 | 1/16 | .062 ±.005 | 46.88 |
| 595-13.18X14ST | 13-3/16 | 14 | 1/16 | .062 ±.005 | 69.65 |
| 595-5.12X6ST | 5-1/8 | 6 | 1/8 | .125 ±.005 | 47.93 |
| 595-11X12ST | 11 | 12 | 1/16 | .062 ±.005 | 51.98 |
| 595-87ST | 13 | 14 | 1/16 | .062 ±.005 | 65.21 |

Seal color may vary. Special order sizes are available. Sizes not shown and out of stock items can also be ordered for next day delivery through Seals On Demand, our custom seal program. Please call your regional sales team for assistance.

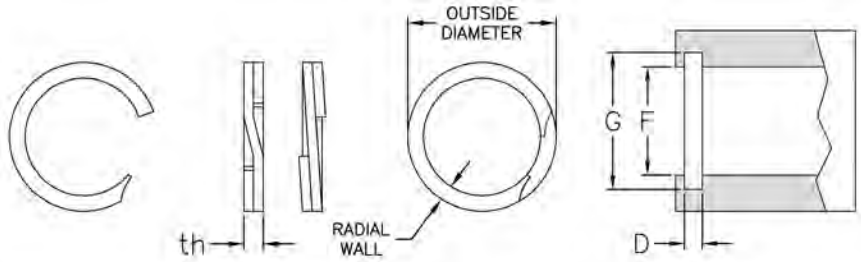
NORTH AMERICA
 PHONE 1-800-777-5617
 FAX 1-800-759-6391

SALES OFFICE HOURS
 8 A.M. TO 7:30 P.M. EASTERN TIME
www.HerculesUS.com

WORLDWIDE
 PHONE 1-727-796-1300
 FAX 1-727-797-8849

SPIRAL INTERNAL RETAINER RINGS

| SPIRAL RETAINER CROSS REFERENCE | |
|---------------------------------|------------------------|
| Hercules® Sealing Prefix | Ramsey Spirolox Prefix |
| VH- | UR- |
| WH- | RR- |
| WHM- | RRN- |
| WHT- | RRT- |



| Part Number | A Nom. ID | B Nom. OD | C Nom. Ht | D GROOVE WIDTH | F THROAT DIAMETER | G HOUSING DIAMETER | INSIDE DIAMETER | OUTSIDE DIAMETER | th THICKNESS | RADIAL WALL | List Price |
|-------------|--------------|--------------|--------------|--|-------------------------|--------------------------|--------------------|---|-----------------|----------------|---------------|
| WHM-50 | 1/2 | 17/32 | .035 | .039 ^{+0.003} / _{+0.000} | .500 | .530 ±0.002 | .448 | .538 ^{+0.013} / _{+0.000} | .035 ±0.002 | .045 ±0.004 | \$0.85 |
| WH-62 | 5/8 | 21/32 | .025 | .030 ^{+0.003} / _{+0.000} | .625 | .651 ±0.002 | .568 | .658 ^{+0.013} / _{+0.000} | .025 ±0.002 | .045 ±0.004 | 0.81 |
| WHM-62 | 5/8 | 43/64 | .035 | .039 ^{+0.003} / _{+0.000} | .625 | .665 ±0.002 | .565 | .675 ^{+0.013} / _{+0.000} | .035 ±0.002 | .055 ±0.004 | 0.90 |
| WHT-68 | 11/16 | 23/32 | .035 | .039 ^{+0.003} / _{+0.000} | .688 | .724 ±0.003 | .620 | .730 ^{+0.000} / _{-.013} | .035 ±0.002 | .055 ±0.004 | 0.77 |
| WHM-68 | 11/16 | 47/64 | .035 | .039 ^{+0.003} / _{+0.000} | .688 | .732 ±0.002 | .613 | .743 ^{+0.013} / _{+0.000} | .035 ±0.002 | .065 ±0.004 | 1.26 |
| WHM-75 | 3/4 | 51/64 | .035 | .039 ^{+0.003} / _{+0.000} | .750 | .796 ±0.002 | .677 | .807 ^{+0.013} / _{+0.000} | .035 ±0.002 | .065 ±0.004 | 1.20 |
| WH-78 | 25/32 | 13/16 | .031 | .036 ^{+0.003} / _{+0.000} | .781 | .812 ±0.003 | .691 | .821 ^{+0.013} / _{+0.000} | .031 ±0.002 | .065 ±0.004 | 0.85 |
| WH-87 | 7/8 | 29/32 | .031 | .036 ^{+0.003} / _{+0.000} | .875 | .912 ±0.003 | .792 | .922 ^{+0.013} / _{+0.000} | .031 ±0.002 | .065 ±0.004 | 0.86 |
| WHM-87 | 7/8 | 15/16 | .042 | .046 ^{+0.003} / _{+0.000} | .875 | .931 ±0.003 | .773 | .943 ^{+0.013} / _{+0.000} | .042 ±0.002 | .085 ±0.004 | 1.20 |
| WH-100 | 1 | 1-3/64 | .037 | .042 ^{+0.003} / _{+0.000} | 1.000 | 1.043 ±0.003 | .904 | 1.054 ^{+0.013} / _{+0.000} | .037 ±0.002 | .075 ±0.004 | 0.89 |
| WHM-100 | 1 | 1-1/16 | .042 | .046 ^{+0.003} / _{+0.000} | 1.000 | 1.066 ±0.003 | .910 | 1.080 ^{+0.013} / _{+0.000} | .042 ±0.002 | .085 ±0.004 | 2.14 |
| WH-112 | 1-1/8 | 1-11/64 | .037 | .042 ^{+0.003} / _{+0.000} | 1.125 | 1.167 ±0.004 | 1.030 | 1.180 ^{+0.015} / _{+0.000} | .037 ±0.002 | .075 ±0.004 | 0.89 |
| WHM-112 | 1-1/8 | 1-13/64 | .05 | .056 ^{+0.004} / _{+0.000} | 1.125 | 1.197 ±0.004 | .999 | 1.205 ^{+0.013} / _{+0.000} | .050 ±0.002 | .103 ±0.004 | 2.27 |
| WHT-118 | 1-3/16 | 1-1/4 | .05 | .056 ^{+0.004} / _{+0.000} | 1.188 | 1.250 ±0.004 | 1.084 | 1.260 ^{+0.000} / _{-.015} | .050 ±0.002 | .088 ±0.004 | 1.11 |
| WH-125 | 1-1/4 | 1-19/64 | .043 | .048 ^{+0.004} / _{+0.000} | 1.250 | 1.298 ±0.004 | 1.142 | 1.312 ^{+0.015} / _{+0.000} | .043 ±0.002 | .085 ±0.004 | 0.95 |
| WHM-125 | 1-1/4 | 1-21/64 | .05 | .056 ^{+0.004} / _{+0.000} | 1.250 | 1.330 ±0.004 | 1.133 | 1.339 ^{+0.013} / _{+0.000} | .050 ±0.002 | .103 ±0.004 | 2.44 |
| WH-128 | 1-9/32 | 1-21/64 | .043 | .048 ^{+0.004} / _{+0.000} | 1.281 | 1.329 ±0.004 | 1.172 | 1.342 ^{+0.015} / _{+0.000} | .043 ±0.002 | .085 ±0.004 | 0.98 |
| WHT-131 | 1-5/16 | 1-25/64 | .05 | .056 ^{+0.004} / _{+0.000} | 1.312 | 1.385 ±0.004 | 1.209 | 1.395 ^{+0.000} / _{-.015} | .050 ±0.002 | .093 ±0.004 | 1.25 |
| VH-137 | 1-3/8 | 1-27/64 | .025 | .031 ^{+0.002} / _{+0.000} | 1.375 | 1.419 ±0.004 | 1.257 | 1.433 ^{+0.015} / _{+0.000} | .025 ±0.0015 | .088 ±0.004 | 0.95 |
| WH-137 | 1-3/8 | 1-27/64 | .043 | .048 ^{+0.004} / _{+0.000} | 1.375 | 1.427 ±0.004 | 1.252 | 1.442 ^{+0.015} / _{+0.000} | .043 ±0.002 | .095 ±0.004 | 1.42 |
| WHM-137 | 1-3/8 | 1-15/32 | .05 | .056 ^{+0.004} / _{+0.000} | 1.375 | 1.461 ±0.004 | 1.235 | 1.471 ^{+0.013} / _{+0.000} | .050 ±0.002 | .118 ±0.004 | 2.44 |
| VH-150 | 1-1/2 | 1-35/64 | .025 | .031 ^{+0.002} / _{+0.000} | 1.500 | 1.544 ±0.004 | 1.383 | 1.559 ^{+0.015} / _{+0.000} | .025 ±0.0015 | .088 ±0.004 | 1.17 |
| WH-150 | 1-1/2 | 1-35/64 | .043 | .048 ^{+0.004} / _{+0.000} | 1.500 | 1.552 ±0.004 | 1.377 | 1.567 ^{+0.015} / _{+0.000} | .043 ±0.002 | .095 ±0.004 | 1.66 |
| WHT-150 | 1-1/2 | 1-37/64 | .05 | .056 ^{+0.004} / _{+0.000} | 1.500 | 1.580 ±0.004 | 1.375 | 1.591 ^{+0.000} / _{-.015} | .050 ±0.002 | .108 ±0.004 | 1.62 |
| WHM-150 | 1-1/2 | 1-19/32 | .05 | .056 ^{+0.004} / _{+0.000} | 1.500 | 1.594 ±0.004 | 1.369 | 1.605 ^{+0.013} / _{+0.000} | .050 ±0.002 | .118 ±0.004 | 2.57 |
| WHM-165 | 1.516 | 1.772 | .062 | .068 ^{+0.004} / _{+0.000} | 1.653 | 1.755 ±0.005 | 1.516 | 1.772 ^{+0.020} / _{+0.000} | .062 ±0.003 | .128 ±0.004 | 4.18 |

RETAINER RINGS



SPIRAL INTERNAL RETAINER RINGS

RETAINER RINGS

| Part Number | A Nom. ID | B Nom. OD | C Nom. Ht | D GROOVE WIDTH | F THROAT DIAMETER | G HOUSING DIAMETER | INSIDE DIAMETER | OUTSIDE DIAMETER | th THICKNESS | RADIAL WALL | List Price |
|-------------|--------------|--------------|--------------|--|-------------------------|--------------------------|--------------------|---|-----------------|----------------|---------------|
| WH-156 | 1-9/16 | 1-39/64 | .049 | .056 ^{+0.004} / _{+0.000} | 1.562 | 1.617 ±.005 | 1.418 | 1.634 ^{+0.020} / _{+0.000} | .049 ±.003 | .108 ±.004 | 1.89 |
| WHM-156 | 1-9/16 | 1-21/32 | .062 | .068 ^{+0.004} / _{+0.000} | 1.562 | 1.658 ±.005 | 1.419 | 1.675 ^{+0.020} / _{+0.000} | .062 ±.003 | .128 ±.004 | 2.94 |
| VH-162 | 1-5/8 | 1-11/16 | .031 | .039 ^{+0.003} / _{+0.000} | 1.625 | 1.682 ±.005 | 1.465 | 1.701 ^{+0.020} / _{+0.000} | .031 ±.002 | .118 ±.004 | 1.17 |
| WH-162 | 1-5/8 | 1-11/16 | .049 | .056 ^{+0.004} / _{+0.000} | 1.625 | 1.684 ±.005 | 1.485 | 1.701 ^{+0.020} / _{+0.000} | .049 ±.003 | .108 ±.004 | 4.20 |
| WHT-162 | 1-5/8 | 1-23/32 | .062 | .068 ^{+0.004} / _{+0.000} | 1.625 | 1.715 ±.005 | 1.501 | 1.727 ^{+0.000} / _{-.020} | .062 ±.003 | .113 ±.004 | 1.89 |
| WH-175 | 1-3/4 | 1-13/16 | .049 | .056 ^{+0.004} / _{+0.000} | 1.750 | 1.813 ±.005 | 1.598 | 1.834 ^{+0.020} / _{+0.000} | .049 ±.003 | .118 ±.004 | 1.89 |
| WHT-175 | 1-3/4 | 1-27/32 | .062 | .068 ^{+0.004} / _{+0.000} | 1.750 | 1.845 ±.005 | 1.622 | 1.858 ^{+0.000} / _{-.020} | .062 ±.003 | .118 ±.004 | 2.42 |
| WHM-175 | 1-3/4 | 1-55/64 | .062 | .068 ^{+0.004} / _{+0.000} | 1.750 | 1.858 ±.005 | 1.620 | 1.876 ^{+0.020} / _{+0.000} | .062 ±.003 | .128 ±.004 | 5.41 |
| VH-187 | 1-7/8 | 1-15/16 | .031 | .039 ^{+0.003} / _{+0.000} | 1.875 | 1.932 ±.005 | 1.717 | 1.953 ^{+0.020} / _{+0.000} | .031 ±.002 | .118 ±.004 | 1.46 |
| WH-187 | 1-7/8 | 1-15/16 | .049 | .056 ^{+0.004} / _{+0.000} | 1.875 | 1.942 ±.005 | 1.724 | 1.960 ^{+0.020} / _{+0.000} | .049 ±.003 | .118 ±.004 | 2.42 |
| WHT-187 | 1-7/8 | 1-31/32 | .062 | .068 ^{+0.004} / _{+0.000} | 1.875 | 1.975 ±.005 | 1.733 | 1.989 ^{+0.000} / _{-.020} | .062 ±.003 | .128 ±.004 | 2.86 |
| VH-200 | 2 | 2-1/16 | .031 | .039 ^{+0.003} / _{+0.000} | 2.000 | 2.057 ±.005 | 1.843 | 2.079 ^{+0.020} / _{+0.000} | .031 ±.002 | .118 ±.004 | 1.56 |
| WH-200 | 2 | 2-5/64 | .049 | .056 ^{+0.004} / _{+0.000} | 2.000 | 2.071 ±.005 | 1.835 | 2.091 ^{+0.020} / _{+0.000} | .049 ±.003 | .128 ±.004 | 2.76 |
| WHT-200 | 2 | 2-7/64 | .062 | .068 ^{+0.004} / _{+0.000} | 2.000 | 2.110 ±.005 | 1.849 | 2.125 ^{+0.000} / _{-.020} | .062 ±.003 | .138 ±.004 | 2.86 |
| WHM-200 | 2 | 2-1/8 | .062 | .068 ^{+0.004} / _{+0.000} | 2.000 | 2.122 ±.005 | 1.826 | 2.142 ^{+0.020} / _{+0.000} | .062 ±.003 | .158 ±.004 | 5.63 |
| WH-204 | 2-3/64 | 2-1/8 | .049 | .056 ^{+0.004} / _{+0.000} | 2.047 | 2.118 ±.005 | 1.882 | 2.138 ^{+0.020} / _{+0.000} | .049 ±.003 | .128 ±.004 | 2.98 |
| VH-206 | 2-1/16 | 2-9/64 | .031 | .039 ^{+0.003} / _{+0.000} | 2.062 | 2.138 ±.006 | 1.846 | 2.162 ^{+0.025} / _{+0.000} | .031 ±.002 | .158 ±.004 | 2.28 |
| WHT-206 | 2-1/16 | 2-11/64 | .078 | .086 ^{+0.005} / _{+0.000} | 2.062 | 2.175 ±.006 | 1.908 | 2.190 ^{+0.000} / _{-.025} | .078 ±.003 | .141 ±.004 | 3.74 |
| WHM-206 | 2-1/16 | 2-3/16 | .078 | .086 ^{+0.005} / _{+0.000} | 2.062 | 2.186 ±.006 | 1.865 | 2.201 ^{+0.025} / _{+0.000} | .078 ±.003 | .168 ±.005 | 7.72 |
| WHM-218 | 2-3/16 | 2-5/16 | .078 | .086 ^{+0.005} / _{+0.000} | 2.188 | 2.318 ±.006 | 1.998 | 2.334 ^{+0.025} / _{+0.000} | .078 ±.003 | .168 ±.005 | 7.72 |
| VH-225 | 2-1/4 | 2-21/64 | .031 | .039 ^{+0.003} / _{+0.000} | 2.250 | 2.326 ±.006 | 2.036 | 2.352 ^{+0.025} / _{+0.000} | .031 ±.002 | .158 ±.004 | 2.98 |
| WHM-225 | 2-1/4 | 2-3/8 | .078 | .086 ^{+0.005} / _{+0.000} | 2.250 | 2.382 ±.006 | 2.063 | 2.399 ^{+0.025} / _{+0.000} | .078 ±.003 | .168 ±.005 | 7.75 |
| WHT-225 | 2-1/4 | 2-3/8 | .078 | .086 ^{+0.005} / _{+0.000} | 2.250 | 2.370 ±.006 | 2.104 | 2.386 ^{+0.000} / _{-.025} | .078 ±.003 | .141 ±.004 | 3.74 |
| VH-231 | 2-5/16 | 2-25/64 | .031 | .039 ^{+0.003} / _{+0.000} | 2.312 | 2.388 ±.006 | 2.099 | 2.415 ^{+0.025} / _{+0.000} | .031 ±.002 | .158 ±.004 | 10.59 |
| WH-231 | 2-5/16 | 2-25/64 | .049 | .056 ^{+0.004} / _{+0.000} | 2.312 | 2.390 ±.006 | 2.137 | 2.413 ^{+0.025} / _{+0.000} | .049 ±.003 | .138 ±.004 | 2.98 |
| WH-237 | 2-3/8 | 2-29/64 | .049 | .056 ^{+0.004} / _{+0.000} | 2.375 | 2.453 ±.006 | 2.200 | 2.476 ^{+0.025} / _{+0.000} | .049 ±.003 | .138 ±.004 | 2.98 |
| VH-243 | 2-7/16 | 2-33/64 | .031 | .039 ^{+0.003} / _{+0.000} | 2.437 | 2.513 ±.006 | 2.225 | 2.541 ^{+0.025} / _{+0.000} | .031 ±.002 | .158 ±.004 | 3.58 |
| WHT-244 | 2-7/16 | 2-9/16 | .078 | .086 ^{+0.005} / _{+0.000} | 2.440 | 2.570 ±.006 | 2.212 | 2.588 ^{+0.000} / _{-.025} | .078 ±.003 | .188 ±.005 | 7.92 |
| VH-250 | 2-1/2 | 2-37/64 | .031 | .039 ^{+0.003} / _{+0.000} | 2.500 | 2.576 ±.006 | 2.289 | 2.605 ^{+0.025} / _{+0.000} | .031 ±.002 | .158 ±.004 | 2.21 |
| WH-250 | 2-1/2 | 2-37/64 | .049 | .056 ^{+0.004} / _{+0.000} | 2.500 | 2.582 ±.006 | 2.310 | 2.606 ^{+0.025} / _{+0.000} | .049 ±.003 | .148 ±.004 | 3.94 |
| WHM-250 | 2-1/2 | 2-41/64 | .078 | .086 ^{+0.005} / _{+0.000} | 2.500 | 2.648 ±.006 | 2.267 | 2.667 ^{+0.025} / _{+0.000} | .078 ±.003 | .200 ±.005 | 8.63 |
| WHT-250 | 2-1/2 | 2-41/64 | .078 | .086 ^{+0.005} / _{+0.000} | 2.500 | 2.635 ±.006 | 2.277 | 2.653 ^{+0.000} / _{-.025} | .078 ±.003 | .188 ±.005 | 4.97 |
| WHT-253 | 2-17/32 | 2-43/64 | .078 | .086 ^{+0.005} / _{+0.000} | 2.531 | 2.668 ±.006 | 2.311 | 2.687 ^{+0.000} / _{-.025} | .078 ±.003 | .188 ±.005 | 4.97 |

NORTH AMERICA
PHONE 1-800-777-5617
FAX 1-800-759-6391

SALES OFFICE HOURS
8 A.M. TO 7:30 P.M. EASTERN TIME
www.HerculesUS.com

WORLDWIDE
PHONE 1-727-796-1300
FAX 1-727-797-8849

SPIRAL INTERNAL RETAINER RINGS

RETAINER RINGS

| Part Number | A Nom. ID | B Nom. OD | C Nom. Ht | D GROOVE WIDTH | F THROAT DIAMETER | G HOUSING DIAMETER | INSIDE DIAMETER | OUTSIDE DIAMETER | th THICKNESS | RADIAL WALL | List Price |
|-------------|-----------|-----------|-----------|--|-------------------|--------------------|-----------------|---|--------------|-------------|------------|
| WHT-256 | 2-9/16 | 2-45/64 | .093 | .103 ^{+0.005} / _{+0.000} | 2.562 | 2.700 ±.006 | 2.344 | 2.720 ^{+0.000} / _{-.025} | .093 ±.003 | .188 ±.005 | 4.97 |
| WHM-256 | 2-9/16 | 2-23/32 | .093 | .103 ^{+0.005} / _{+0.000} | 2.562 | 2.714 ±.006 | 2.283 | 2.733 ^{+0.030} / _{+0.000} | .093 ±.003 | .225 ±.005 | 7.92 |
| WHT-275 | 2-3/4 | 2-29/32 | .093 | .103 ^{+0.005} / _{+0.000} | 2.750 | 2.900 ±.006 | 2.545 | 2.921 ^{+0.000} / _{-.025} | .093 ±.003 | .188 ±.005 | 5.74 |
| VH-281 | 2-13/16 | 2-57/64 | .031 | .039 ^{+0.003} / _{+0.000} | 2.812 | 2.888 ±.006 | 2.604 | 2.920 ^{+0.025} / _{+0.000} | .031 ±.002 | .158 ±.004 | 5.75 |
| WH-283 | 2-53/64 | 2-59/64 | .049 | .056 ^{+0.004} / _{+0.000} | 2.834 | 2.928 ±.006 | 2.618 | 2.954 ^{+0.025} / _{+0.000} | .049 ±.003 | .168 ±.005 | 4.21 |
| WHT-283 | 2-53/64 | 2-63/64 | .093 | .103 ^{+0.005} / _{+0.000} | 2.834 | 2.987 ±.006 | 2.633 | 3.009 ^{+0.025} / _{+0.000} | .093 ±.003 | .188 ±.005 | 5.87 |
| WHM-283 | 2-53/64 | 3 | .093 | .103 ^{+0.005} / _{+0.000} | 2.834 | 3.006 ±.006 | 2.577 | 3.027 ^{+0.030} / _{+0.000} | .093 ±.003 | .225 ±.005 | 10.61 |
| WH-287 | 2-7/8 | 2-31/32 | .049 | .056 ^{+0.004} / _{+0.000} | 2.875 | 2.969 ±.006 | 2.659 | 2.995 ^{+0.025} / _{+0.000} | .049 ±.003 | .168 ±.005 | 5.74 |
| VH-300 | 3 | 3-5/64 | .031 | .039 ^{+0.003} / _{+0.000} | 3.000 | 3.076 ±.006 | 2.794 | 3.110 ^{+0.025} / _{+0.000} | .031 ±.002 | .158 ±.004 | 2.32 |
| WH-300 | 3 | 3-3/32 | .061 | .068 ^{+0.005} / _{+0.000} | 3.000 | 3.096 ±.006 | 2.786 | 3.122 ^{+0.025} / _{+0.000} | .061 ±.003 | .168 ±.005 | 4.08 |
| WHT-300 | 3 | 3-11/64 | .093 | .103 ^{+0.005} / _{+0.000} | 3.000 | 3.165 ±.006 | 2.812 | 3.188 ^{+0.025} / _{+0.000} | .093 ±.003 | .188 ±.005 | 5.87 |
| WHM-300 | 3 | 3-3/16 | .093 | .103 ^{+0.005} / _{+0.000} | 3.000 | 3.182 ±.006 | 2.754 | 3.204 ^{+0.030} / _{+0.000} | .093 ±.003 | .225 ±.005 | 11.24 |
| WHT-312 | 3-1/8 | 3-19/64 | .111 | .120 ^{+0.005} / _{+0.000} | 3.125 | 3.295 ±.006 | 2.818 | 3.318 ^{+0.030} / _{+0.000} | .111 ±.003 | .250 ±.005 | 8.68 |
| WH-325 | 3-1/4 | 3-11/32 | .061 | .068 ^{+0.005} / _{+0.000} | 3.250 | 3.350 ±.006 | 3.023 | 3.379 ^{+0.030} / _{+0.000} | .061 ±.003 | .178 ±.005 | 6.64 |
| WHT-325 | 3-1/4 | 3-27/64 | .111 | .120 ^{+0.005} / _{+0.000} | 3.250 | 3.426 ±.006 | 2.950 | 3.450 ^{+0.030} / _{+0.000} | .111 ±.003 | .250 ±.005 | 7.18 |
| WHLA-368 | 3.329 | 3.665 | .06 | .068 | 3.500 | 3.665 | | 3.684 | .060 | .168 | 17.05 |
| WHL-371 | 3.331 | 3.705 | .086 | .091 | 3.500 | 3.705 | | 3.725 | .086 | .187 | 9.19 |
| WHL-378-HDC | 3.491 | 3.755 | .077 | .086 | 3.625 | 3.755 | | 3.780 | .077 | .132 | 42.89 |
| WH-350 | 3-1/2 | 3-39/64 | .061 | .068 ^{+0.005} / _{+0.000} | 3.500 | 3.606 ±.006 | 3.260 | 3.636 ^{+0.030} / _{+0.000} | .061 ±.003 | .188 ±.005 | 4.30 |
| WHT-350 | 3-1/2 | 3-11/16 | .111 | .120 ^{+0.005} / _{+0.000} | 3.500 | 3.690 ±.006 | 3.216 | 3.716 ^{+0.030} / _{+0.000} | .111 ±.003 | .250 ±.005 | 11.20 |
| WHM-350 | 3-1/2 | 3-45/64 | .111 | .120 ^{+0.005} / _{+0.000} | 3.500 | 3.710 ±.006 | 3.174 | 3.736 ^{+0.035} / _{+0.000} | .111 ±.003 | .281 ±.005 | 11.24 |
| WHL-392 | 3.535 | 3.909 | .093 | .103 | 3.750 | 3.909 | | 3.929 | .093 | .187 | 23.52 |
| WH-356 | 3-9/16 | 3-43/64 | .061 | .068 ^{+0.005} / _{+0.000} | 3.562 | 3.672 ±.006 | 3.307 | 3.703 ^{+0.030} / _{+0.000} | .061 ±.003 | .198 ±.005 | 5.42 |
| WHL-424 | 3.846 | 4.22 | .09 | .098 | 4.125 | 4.220 | | 4.249 | .090 | .187 | 18.16 |
| WH-400 | 4 | 4-1/8 | .061 | .068 ^{+0.005} / _{+0.000} | 4.000 | 4.124 ±.006 | 3.721 | 4.157 ^{+0.030} / _{+0.000} | .061 ±.003 | .218 ±.005 | 5.98 |
| WHT-400 | 4 | 4-7/32 | .111 | .120 ^{+0.005} / _{+0.000} | 4.000 | 4.220 ±.006 | 3.748 | 4.248 ^{+0.030} / _{+0.000} | .111 ±.003 | .250 ±.005 | 10.58 |
| WHM-400 | 4 | 4-15/64 | .111 | .120 ^{+0.005} / _{+0.000} | 4.000 | 4.240 ±.006 | 3.646 | 4.270 ^{+0.035} / _{+0.000} | .111 ±.003 | .312 ±.006 | 12.81 |
| WH-406 | 4-1/16 | 4-3/16 | .061 | .068 ^{+0.005} / _{+0.000} | 4.063 | 4.187 ±.006 | 3.786 | 4.222 ^{+0.030} / _{+0.000} | .061 ±.003 | .218 ±.005 | 7.64 |
| VH-412 | 4-1/8 | 4-15/64 | .046 | .052 ^{+0.004} / _{+0.000} | 4.125 | 4.235 ±.006 | 3.829 | 4.279 ^{+0.035} / _{+0.000} | .046 ±.002 | .225 ±.005 | 8.38 |
| WHL-473 | 4.212 | 4.712 | .111 | .120 | 4.500 | 4.712 | | 4.732 | .111 | .250 | 10.23 |
| WHM-425 | 4-1/4 | 4-31/64 | .111 | .120 ^{+0.005} / _{+0.000} | 4.250 | 4.490 ±.006 | 3.896 | 4.520 ^{+0.035} / _{+0.000} | .111 ±.003 | .312 ±.006 | 18.61 |
| WHL-472 | 4.326 | 4.7 | .093 | .098 | 4.500 | 4.700 | | 4.721 | .093 | .187 | 10.23 |
| WHM-433 | 4-21/64 | 4-9/16 | .111 | .120 ^{+0.005} / _{+0.000} | 4.330 | 4.570 ±.006 | 3.976 | 4.600 ^{+0.035} / _{+0.000} | .111 ±.003 | .312 ±.006 | 11.14 |
| WH-450 | 4-1/2 | 4-41/64 | .061 | .068 ^{+0.005} / _{+0.000} | 4.500 | 4.636 ±.006 | 4.198 | 4.674 ^{+0.035} / _{+0.000} | .061 ±.003 | .238 ±.005 | 6.20 |
| WHM-450 | 4-1/2 | 4-47/64 | .111 | .120 ^{+0.005} / _{+0.000} | 4.500 | 4.740 ±.006 | 4.146 | 4.770 ^{+0.035} / _{+0.000} | .111 ±.003 | .312 ±.006 | 20.38 |
| WHT-450 | 4-1/2 | 4-47/64 | .111 | .120 ^{+0.005} / _{+0.000} | 4.500 | 4.735 ±.006 | 4.144 | 4.768 ^{+0.035} / _{+0.000} | .111 ±.003 | .312 ±.006 | 14.67 |



SPIRAL INTERNAL RETAINER RINGS

RETAINER RINGS

| Part Number | A Nom. ID | B Nom. OD | C Nom. Ht | D GROOVE WIDTH | F THROAT DIAMETER | G HOUSING DIAMETER | INSIDE DIAMETER | OUTSIDE DIAMETER | th THICKNESS | RADIAL WALL | List Price |
|-------------|--------------|--------------|--------------|--|-------------------------|--------------------------|--------------------|--|-----------------|----------------|---------------|
| WHL-495 | 4.564 | 4.938 | .093 | .103 | 4.750 | 4.938 | | 4.958 | .093 | .187 | 27.54 |
| VH-462 | 4-5/8 | 4-47/64 | .046 | .052 ^{+0.004} _{+0.000} | 4.625 | 4.735 ±0.006 | 4.334 | 4.784 ^{+0.035} _{+0.000} | .046 ±0.002 | .225 ±0.005 | 8.90 |
| WHT-475 | 4-3/4 | 5 | .111 | .120 ^{+0.005} _{+0.000} | 4.750 | 4.995 ±0.006 | 4.404 | 5.028 ^{+0.035} _{+0.000} | .111 ±0.003 | .312 ±0.006 | 16.54 |
| WHL-525 | 4.849 | 5.223 | .09 | .0987 | 5.125 | 5.223 | | 5.252 | .090 | .187 | 51.37 |
| WH-500 | 5 | 5-9/64 | .072 | .079 ^{+0.005} _{+0.000} | 5.000 | 5.144 ±0.006 | 4.685 | 5.185 ^{+0.035} _{+0.000} | .072 ±0.004 | .250 ±0.005 | 7.30 |
| WHT-500 | 5 | 5-17/64 | .111 | .120 ^{+0.005} _{+0.000} | 5.000 | 5.260 ±0.006 | 4.671 | 5.295 ^{+0.035} _{+0.000} | .111 ±0.003 | .312 ±0.006 | 17.19 |
| WHL-573 | 5.22 | 5.72 | .111 | .120 | 5.500 | 5.720 | | 5.739 | .111 | .250 | 10.46 |
| WH-525 | 5-1/4 | 5-25/64 | .072 | .079 ^{+0.005} _{+0.000} | 5.250 | 5.393 ±0.007 | 4.936 | 5.436 ^{+0.045} _{+0.000} | .072 ±0.004 | .250 ±0.005 | 7.79 |
| WHL-574 | 5.346 | 5.72 | .093 | .098 | 5.500 | 5.720 | | 5.740 | .093 | .187 | 9.30 |
| VH-550 | 5-1/2 | 5-41/64 | .061 | .067 ^{+0.004} _{+0.000} | 5.500 | 5.638 ±0.007 | 5.244 | 5.694 ^{+0.045} _{+0.000} | .061 ±0.002 | .225 ±0.005 | 9.20 |
| WH-550 | 5-1/2 | 5-41/64 | .072 | .079 ^{+0.005} _{+0.000} | 5.500 | 5.647 ±0.007 | 5.193 | 5.693 ^{+0.045} _{+0.000} | .072 ±0.004 | .250 ±0.005 | 6.66 |
| WHT-550 | 5-1/2 | 5-49/64 | .127 | .139 ^{+0.006} _{+0.000} | 5.500 | 5.770 ±0.007 | 5.060 | 5.810 ^{+0.045} _{+0.000} | .127 ±0.004 | .375 ±0.006 | 18.55 |
| WH-551 | 5-33/64 | 5-21/32 | .072 | .079 ^{+0.005} _{+0.000} | 5.511 | 5.658 ±0.007 | 5.203 | 5.703 ^{+0.045} _{+0.000} | .072 ±0.004 | .250 ±0.005 | 10.89 |
| WHL-595 | 5.562 | 5.936 | .122 | .131 | 5.750 | 5.936 | | 5.956 | .122 | .187 | 49.95 |
| WH-570 | 5-45/64 | 5-55/64 | .072 | .079 ^{+0.005} _{+0.000} | 5.708 | 5.861 ±0.007 | 5.409 | 5.909 ^{+0.045} _{+0.000} | .072 ±0.004 | .250 ±0.005 | 15.47 |
| VH-575 | 5-3/4 | 5-57/64 | .061 | .067 ^{+0.004} _{+0.000} | 5.750 | 5.894 ±0.007 | 5.503 | 5.953 ^{+0.045} _{+0.000} | .061 ±0.002 | .225 ±0.005 | 9.97 |
| WH-600 | 6 | 6-5/32 | .072 | .079 ^{+0.005} _{+0.000} | 6.000 | 6.153 ±0.007 | 5.702 | 6.202 ^{+0.045} _{+0.000} | .072 ±0.004 | .250 ±0.005 | 9.20 |
| WHM-600 | 6 | 6-17/64 | .127 | .139 ^{+0.006} _{+0.000} | 6.000 | 6.270 ±0.007 | 5.614 | 6.314 ^{+0.050} _{+0.000} | .127 ±0.004 | .350 ±0.006 | 22.34 |
| WHT-600 | 6 | 6-17/64 | .127 | .139 ^{+0.006} _{+0.000} | 6.000 | 6.270 ±0.007 | 5.564 | 6.314 ^{+0.045} _{+0.000} | .127 ±0.004 | .375 ±0.006 | 18.67 |
| WH-612 | 6-1/8 | 6-19/64 | .086 | .094 ^{+0.006} _{+0.000} | 6.125 | 6.297 ±0.008 | 5.725 | 6.349 ^{+0.045} _{+0.000} | .086 ±0.004 | .312 ±0.006 | 9.44 |
| WHL-672 | 6.206 | 6.706 | .111 | .120 | 6.500 | 6.706 | | 6.726 | .111 | .250 | 8.10 |
| WHL-683 | 6.392 | 6.8 | .105 | .115 | 6.500 | 6.800 | | 6.830 | .105 | .204 | 24.79 |
| WHT-650 | 6-1/2 | 6-51/64 | .165 | .174 ^{+0.008} _{+0.000} | 6.500 | 6.790 ±0.008 | 6.213 | 6.837 ^{+0.055} _{+0.000} | .165 ±0.005 | .312 ±0.006 | 58.87 |
| WHT-662 | 6-5/8 | 6-59/64 | .165 | .174 ^{+0.008} _{+0.000} | 6.625 | 6.925 ±0.008 | 6.349 | 6.973 ^{+0.055} _{+0.000} | .165 ±0.005 | .312 ±0.006 | 75.14 |
| WHL-724 | 6.739 | 7.229 | .122 | .131 | 6.875 | 7.229 | | 7.249 | .122 | .245 | 69.54 |
| VH-675 | 6-3/4 | 6-59/64 | .061 | .067 ^{+0.004} _{+0.000} | 6.750 | 6.919 ±0.008 | 6.458 | 6.988 ^{+0.045} _{+0.000} | .061 ±0.002 | .265 ±0.005 | 9.71 |
| WH-700 | 7 | 7-3/16 | .086 | .094 ^{+0.006} _{+0.000} | 7.000 | 7.182 ±0.008 | 6.615 | 7.239 ^{+0.055} _{+0.000} | .086 ±0.004 | .312 ±0.006 | 17.62 |
| WHT-700 | 7 | 7-5/16 | .165 | .174 ^{+0.008} _{+0.000} | 7.000 | 7.315 ±0.008 | 6.742 | 7.366 ^{+0.055} _{+0.000} | .165 ±0.005 | .312 ±0.006 | 42.46 |
| WH-712 | 7-1/8 | 7-5/16 | .086 | .094 ^{+0.006} _{+0.000} | 7.125 | 7.317 ±0.008 | 6.752 | 7.376 ^{+0.055} _{+0.000} | .086 ±0.004 | .312 ±0.006 | 17.56 |
| WHL-770 | 7.18 | 7.68 | .111 | .120 | 7.500 | 7.680 | | 7.700 | .111 | .250 | 10.73 |
| WH-750 | 7-1/2 | 7-11/16 | .086 | .094 ^{+0.006} _{+0.000} | 7.500 | 7.692 ±0.008 | 7.130 | 7.754 ^{+0.065} _{+0.000} | .086 ±0.004 | .312 ±0.006 | 18.52 |
| WHL-849 | 7.983 | 8.473 | .122 | .131 | 8.125 | 8.473 | | 8.493 | .122 | .245 | 92.74 |
| WHL-871 | 8.19 | 8.69 | .111 | .120 | 8.500 | 8.690 | | 8.710 | .111 | .250 | 13.30 |
| WHL-876 | 8.24 | 8.74 | .111 | .120 | 8.520 | 8.740 | | 8.760 | .111 | .250 | 22.28 |
| WH-850 | 8-1/2 | 8-23/32 | .086 | .094 ^{+0.006} _{+0.000} | 8.500 | 8.712 ±0.008 | 8.030 | 8.780 ^{+0.065} _{+0.000} | .086 ±0.004 | .375 ±0.006 | 28.49 |
| WHL-992 | 9.407 | 9.907 | .108 | .115 | 9.625 | 9.907 | | 9.927 | .108 | .250 | 39.05 |
| WHL-1013 | 9.6 | 10.1 | .108 | .115 | 10.000 | 10.100 | | 10.120 | .108 | .250 | 55.23 |
| WHT-975 | 9-3/4 | 10-3/16 | .189 | .209 ^{+0.008} _{+0.000} | 9.750 | 10.189 ±0.008 | 9.510 | 10.260 ^{+0.070} _{+0.000} | .189 ±0.005 | .375 ±0.006 | 64.24 |
| WHT-1050 | 10-1/2 | 10-31/32 | .189 | .209 ^{+0.008} _{+0.000} | 10.500 | 10.970 ±0.008 | 10.322 | 11.072 ^{+0.070} _{+0.000} | .189 ±0.005 | .375 ±0.006 | 111.92 |

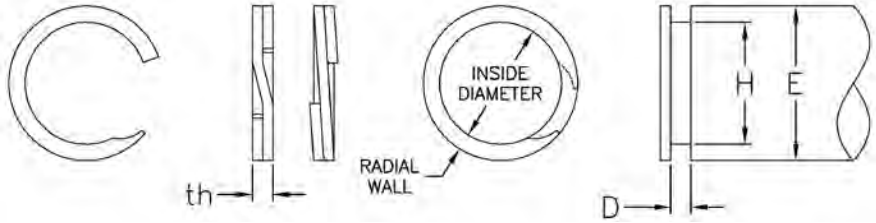
NORTH AMERICA
PHONE 1-800-777-5617
FAX 1-800-759-6391

SALES OFFICE HOURS
8 A.M. TO 7:30 P.M. EASTERN TIME
www.HerculesUS.com

WORLDWIDE
PHONE 1-727-796-1300
FAX 1-727-797-8849

SPIRAL EXTERNAL RETAINER RINGS

| SPIRAL RETAINER CROSS REFERENCE | |
|---------------------------------|------------------------|
| Hercules® Sealing Prefix | Ramsey Spirolox Prefix |
| VS- | US- |
| WS- | RS- |
| WST- | RSN- |
| WSM- | RST- |



| Part Number | A Nom. ID | B Nom. OD | C Nom. Ht | D GROOVE WIDTH | E SHAFT DIAMETER | H GROOVE DIAMETER | INSIDE DIAMETER | OUTSIDE DIAMETER | th THICKNESS | RADIAL WALL | List Price |
|-------------|--------------|--------------|--------------|--|------------------------|----------------------|--|---------------------|-----------------|----------------|---------------|
| WSM-50 | 15/32 | 1/2 | .035 | .039 ^{+0.003} / _{+0.000} | .500 | .468 ±0.002 | .464 ^{+0.000} / _{-.013} | .564 | .035 ±0.002 | .050 ±0.004 | \$0.97 |
| WSM-62 | 19/32 | 5/8 | .035 | .039 ^{+0.003} / _{+0.000} | .625 | .588 ±0.003 | .583 ^{+0.000} / _{-.013} | .693 | .035 ±0.002 | .055 ±0.004 | 1.07 |
| WSM-75 | 45/64 | 3/4 | .042 | .046 ^{+0.003} / _{+0.000} | .750 | .704 ±0.003 | .698 ^{+0.000} / _{-.013} | .828 | .042 ±0.002 | .065 ±0.004 | 2.07 |
| WST-75 | 3/4 | 23/32 | .042 | .046 ^{+0.003} / _{+0.000} | .750 | .715 ±0.003 | .708 ^{+0.000} / _{-.013} | .838 | .042 ±0.002 | .065 ±0.004 | 0.85 |
| WSM-87 | 53/64 | 7/8 | .042 | .046 ^{+0.003} / _{+0.000} | .875 | .821 ±0.003 | .814 ^{+0.000} / _{-.013} | .964 | .042 ±0.002 | .075 ±0.004 | 2.28 |
| WST-93 | 57/64 | 15/16 | .042 | .046 ^{+0.003} / _{+0.000} | .938 | .894 ±0.003 | .886 ^{+0.000} / _{-.013} | 1.036 | .042 ±0.002 | .075 ±0.004 | 1.78 |
| WSM-100 | 15/16 | 1 | .042 | .046 ^{+0.003} / _{+0.000} | 1.000 | .940 ±0.003 | .932 ^{+0.000} / _{-.013} | 1.102 | .042 ±0.002 | .085 ±0.004 | 2.33 |
| WS-103 | 63/64 | 1-1/32 | .037 | .042 ^{+0.003} / _{+0.000} | 1.031 | .988 ±0.003 | .978 ^{+0.000} / _{-.013} | 1.128 | .037 ±0.002 | .075 ±0.004 | 0.75 |
| WST-106 | 1-1/64 | 1-1/16 | .05 | .056 ^{+0.004} / _{+0.000} | 1.062 | 1.015 ±0.004 | 1.005 ^{+0.000} / _{-.015} | 1.181 | .050 ±0.002 | .088 ±0.004 | 1.85 |
| WSM-112 | 1-1/16 | 1-1/8 | .05 | .056 ^{+0.004} / _{+0.000} | 1.125 | 1.059 ±0.004 | 1.047 ^{+0.000} / _{-.013} | 1.253 | .050 ±0.002 | .103 ±0.004 | 2.33 |
| WSM-125 | 1-11/64 | 1-1/4 | .05 | .056 ^{+0.004} / _{+0.000} | 1.250 | 1.176 ±0.004 | 1.163 ^{+0.000} / _{-.013} | 1.369 | .050 ±0.002 | .103 ±0.004 | 2.57 |
| WS-131 | 1-17/64 | 1-5/16 | .043 | .048 ^{+0.004} / _{+0.000} | 1.312 | 1.264 ±0.004 | 1.251 ^{+0.000} / _{-.015} | 1.441 | .043 ±0.002 | .095 ±0.004 | 1.23 |
| WSM-137 | 1-19/64 | 1-3/8 | .05 | .056 ^{+0.004} / _{+0.000} | 1.375 | 1.291 ±0.004 | 1.277 ^{+0.000} / _{-.013} | 1.513 | .050 ±0.002 | .118 ±0.004 | 2.57 |
| WS-137 | 1-21/64 | 1-3/8 | .043 | .048 ^{+0.004} / _{+0.000} | 1.375 | 1.323 ±0.004 | 1.308 ^{+0.000} / _{-.015} | 1.498 | .043 ±0.002 | .095 ±0.004 | 1.23 |
| WS-143 | 1-25/64 | 1-7/16 | .043 | .048 ^{+0.004} / _{+0.000} | 1.437 | 1.385 ±0.004 | 1.370 ^{+0.000} / _{-.015} | 1.560 | .043 ±0.002 | .095 ±0.004 | 1.50 |
| WSM-150 | 1-13/32 | 1-1/2 | .05 | .056 ^{+0.004} / _{+0.000} | 1.500 | 1.406 ±0.004 | 1.390 ^{+0.000} / _{-.013} | 1.626 | .050 ±0.002 | .118 ±0.004 | 2.70 |
| WST-162 | 1-35/64 | 1-5/8 | .062 | .068 ^{+0.004} / _{+0.000} | 1.625 | 1.550 ±0.005 | 1.537 ^{+0.000} / _{-.020} | 1.773 | .062 ±0.003 | .118 ±0.004 | 2.58 |
| VS-162 | 1-9/16 | 1-5/8 | .031 | .039 ^{+0.003} / _{+0.000} | 1.625 | 1.568 ±0.005 | 1.550 ^{+0.000} / _{-.020} | 1.786 | .031 ±0.002 | .118 ±0.004 | 0.68 |
| WST-168 | 1-39/64 | 1-11/16 | .062 | .068 ^{+0.004} / _{+0.000} | 1.687 | 1.610 ±0.005 | 1.598 ^{+0.000} / _{-.020} | 1.834 | .062 ±0.003 | .118 ±0.004 | 4.49 |
| WSM-175 | 1-21/32 | 1-3/4 | .062 | .068 ^{+0.004} / _{+0.000} | 1.750 | 1.650 ±0.005 | 1.633 ^{+0.000} / _{-.020} | 1.889 | .062 ±0.003 | .128 ±0.004 | 2.71 |
| WST-175 | 1-43/64 | 1-3/4 | .062 | .068 ^{+0.004} / _{+0.000} | 1.750 | 1.670 ±0.005 | 1.657 ^{+0.000} / _{-.020} | 1.893 | .062 ±0.003 | .118 ±0.004 | 4.16 |
| WS-175 | 1-11/16 | 1-3/4 | .049 | .056 ^{+0.004} / _{+0.000} | 1.750 | 1.691 ±0.005 | 1.673 ^{+0.000} / _{-.020} | 1.909 | .049 ±0.003 | .118 ±0.004 | 2.25 |
| WST-187 | 1-51/64 | 1-7/8 | .062 | .068 ^{+0.004} / _{+0.000} | 1.875 | 1.790 ±0.005 | 1.774 ^{+0.000} / _{-.020} | 2.020 | .062 ±0.003 | .123 ±0.004 | 4.22 |
| VS-187 | 1-13/16 | 1-7/8 | .031 | .039 ^{+0.003} / _{+0.000} | 1.875 | 1.818 ±0.005 | 1.798 ^{+0.000} / _{-.020} | 2.034 | .031 ±0.002 | .118 ±0.004 | 0.85 |
| WSM-200 | 1-57/64 | 2 | .062 | .068 ^{+0.004} / _{+0.000} | 2.000 | 1.886 ±0.005 | 1.867 ^{+0.000} / _{-.020} | 2.183 | .062 ±0.003 | .158 ±0.004 | 7.16 |
| WS-196 | 1-29/32 | 1-31/32 | .049 | .056 ^{+0.004} / _{+0.000} | 1.969 | 1.902 ±0.005 | 1.882 ^{+0.000} / _{-.020} | 2.138 | .049 ±0.003 | .128 ±0.004 | 2.42 |

RETAINER RINGS



SPIRAL EXTERNAL RETAINER RINGS

RETAINER RINGS

| Part Number | A Nom. ID | B Nom. OD | C Nom. Ht | D GROOVE WIDTH | E SHAFT DIAMETER | H GROOVE DIAMETER | INSIDE DIAMETER | OUTSIDE DIAMETER | th THICKNESS | RADIAL WALL | List Price |
|-------------|--------------|--------------|--------------|--|------------------------|----------------------|--|---------------------|-----------------|----------------|---------------|
| WS-206 | 1-63/64 | 2-1/16 | .049 | .056 ^{+0.004} / _{+0.000} | 2.062 | 1.992 ±.006 | 1.971 ^{+0.000} / _{-.020} | 2.227 | .049 ±.003 | .128 ±.004 | 4.96 |
| WS-225 | 2-11/64 | 2-1/4 | .049 | .056 ^{+0.004} / _{+0.000} | 2.250 | 2.176 ±.006 | 2.153 ^{+0.000} / _{-.025} | 2.429 | .049 ±.003 | .138 ±.004 | 3.08 |
| WS-231 | 2-15/64 | 2-5/16 | .049 | .056 ^{+0.004} / _{+0.000} | 2.312 | 2.234 ±.006 | 2.211 ^{+0.000} / _{-.025} | 2.487 | .049 ±.003 | .138 ±.004 | 5.83 |
| WS-236 | 2-9/32 | 2-23/64 | .049 | .056 ^{+0.004} / _{+0.000} | 2.362 | 2.284 ±.006 | 2.261 ^{+0.000} / _{-.025} | 2.537 | .049 ±.003 | .138 ±.004 | 6.80 |
| WST-250 | 2-25/64 | 2-1/2 | .078 | .086 ^{+0.005} / _{+0.000} | 2.500 | 2.385 ±.006 | 2.366 ^{+0.000} / _{-.025} | 2.742 | .078 ±.003 | .188 ±.005 | 7.76 |
| WS-250 | 2-27/64 | 2-1/2 | .049 | .056 ^{+0.004} / _{+0.000} | 2.500 | 2.418 ±.006 | 2.394 ^{+0.000} / _{-.025} | 2.690 | .049 ±.003 | .148 ±.004 | 4.69 |
| WST-262 | 2-1/2 | 2-5/8 | .078 | .086 ^{+0.005} / _{+0.000} | 2.625 | 2.505 ±.006 | 2.485 ^{+0.000} / _{-.025} | 2.861 | .078 ±.003 | .188 ±.005 | 8.25 |
| WS-268 | 2-19/32 | 2-11/16 | .049 | .056 ^{+0.004} / _{+0.000} | 2.688 | 2.597 ±.006 | 2.572 ^{+0.000} / _{-.025} | 2.888 | .049 ±.003 | .158 ±.004 | 5.00 |
| WST-275 | 2-5/8 | 2-3/4 | .093 | .103 ^{+0.005} / _{+0.000} | 2.750 | 2.625 ±.006 | 2.604 ^{+0.000} / _{-.030} | 2.980 | .093 ±.003 | .188 ±.005 | 7.73 |
| WS-275 | 2-21/32 | 2-3/4 | .049 | .056 ^{+0.004} / _{+0.000} | 2.750 | 2.660 ±.006 | 2.635 ^{+0.000} / _{-.030} | 2.951 | .049 ±.003 | .158 ±.004 | 5.00 |
| WS-293 | 2-27/32 | 2-15/16 | .049 | .056 ^{+0.004} / _{+0.000} | 2.937 | 2.843 ±.006 | 2.817 ^{+0.000} / _{-.030} | 3.153 | .049 ±.003 | .168 ±.005 | 6.54 |
| WST-300 | 2-55/64 | 3 | .093 | .103 ±.005 | 3.000 | 2.860 ±.006 | 2.838 ^{+0.000} / _{-.030} | 3.214 | .093 ±.003 | .188 ±.005 | 7.82 |
| WS-312 | 3-1/32 | 3-1/8 | .061 | .068 ^{+0.005} / _{+0.000} | 3.125 | 3.027 ±.006 | 3.000 ^{+0.000} / _{-.030} | 3.356 | .061 ±.003 | .178 ±.005 | 6.57 |
| WSM-325 | 3-5/64 | 3-1/4 | .093 | .103 ^{+0.005} / _{+0.000} | 3.250 | 3.076 ±.006 | 3.054 ^{+0.000} / _{-.030} | 3.504 | .093 ±.003 | .225 ±.005 | 8.83 |
| WS-325 | 3-5/32 | 3-1/4 | .061 | .068 ^{+0.005} / _{+0.000} | 3.250 | 3.150 ±.006 | 3.121 ^{+0.000} / _{-.030} | 3.477 | .061 ±.003 | .178 ±.005 | 7.98 |
| WS-334 | 3-15/64 | 3-11/32 | .061 | .068 ^{+0.005} / _{+0.000} | 3.343 | 3.239 ±.006 | 3.210 ^{+0.000} / _{-.030} | 3.586 | .061 ±.003 | .188 ±.005 | 9.20 |
| WST-343 | 3-9/32 | 3-7/16 | .093 | .103 ±.005 | 3.437 | 3.280 ±.006 | 3.254 ^{+0.000} / _{-.030} | 3.630 | .093 ±.003 | .188 ±.005 | 9.15 |
| WST-350 | 3-11/32 | 3-1/2 | .111 | .120 ±.005 | 3.500 | 3.340 ±.006 | 3.153 ^{+0.000} / _{-.040} | 3.653 | .111 ±.003 | .250 ±.005 | 10.87 |
| WS-362 | 3-33/64 | 3-5/8 | .061 | .068 ^{+0.005} / _{+0.000} | 3.625 | 3.515 ±.006 | 3.483 ^{+0.000} / _{-.040} | 3.879 | .061 ±.003 | .198 ±.005 | 4.35 |
| WST-375 | 3-37/64 | 3-3/4 | .111 | .120 ±.005 | 3.750 | 3.577 ±.006 | 3.550 ^{+0.000} / _{-.040} | 4.050 | .111 ±.003 | .250 ±.005 | 12.01 |
| WST-400 | 3-13/16 | 4 | .111 | .120 ±.005 | 4.000 | 3.815 ±.006 | 3.787 ^{+0.000} / _{-.040} | 4.287 | .111 ±.003 | .250 ±.005 | 19.60 |
| VS-400 | 3-29/32 | 4 | .039 | .044 ^{+0.003} / _{+0.000} | 4.000 | 3.908 ±.006 | 3.867 ^{+0.000} / _{-.030} | 4.243 | .039 ±.002 | .188 ±.005 | 2.45 |
| VS-412 | 4-1/64 | 4-1/8 | .046 | .052 ^{+0.004} / _{+0.000} | 4.125 | 4.015 ±.006 | 3.973 ^{+0.000} / _{-.035} | 4.423 | .046 ±.002 | .225 ±.005 | 2.45 |
| WST-425 | 4-1/16 | 4-1/4 | .111 | .120 ±.005 | 4.250 | 4.065 ±.006 | 4.032 ^{+0.000} / _{-.040} | 4.532 | .111 ±.003 | .250 ±.005 | 32.78 |
| WST-450 | 4-5/16 | 4-1/2 | .111 | .120 ±.005 | 4.500 | 4.310 ±.006 | 4.280 ^{+0.000} / _{-.040} | 4.780 | .111 ±.003 | .250 ±.005 | 19.68 |
| WS-450 | 4-23/64 | 4-1/2 | .061 | .068 ^{+0.005} / _{+0.000} | 4.500 | 4.364 ±.006 | 4.326 ^{+0.000} / _{-.040} | 4.802 | .061 ±.003 | .238 ±.005 | 9.41 |
| WST-500 | 4-51/64 | 5 | .111 | .120 ±.005 | 5.000 | 4.790 ±.006 | 4.755 ^{+0.000} / _{-.040} | 5.255 | .111 ±.003 | .250 ±.005 | 10.51 |
| WS-525 | 5-7/64 | 5-1/4 | .072 | .079 ^{+0.005} / _{+0.000} | 5.250 | 5.107 ±.007 | 5.064 ^{+0.000} / _{-.050} | 5.564 | .072 ±.004 | .250 ±.005 | 14.75 |
| VS-525 | 5-1/8 | 5-1/4 | .061 | .067 ^{+0.004} / _{+0.000} | 5.250 | 5.119 ±.007 | 5.067 ^{+0.000} / _{-.045} | 5.517 | .061 ±.002 | .225 ±.005 | 13.59 |
| WS-537 | 5-15/64 | 5-3/8 | .072 | .079 ^{+0.005} / _{+0.000} | 5.375 | 5.228 ±.007 | 5.187 ^{+0.000} / _{-.050} | 5.687 | .072 ±.004 | .250 ±.005 | 16.26 |
| WS-550 | 5-23/64 | 5-1/2 | .072 | .079 ^{+0.005} / _{+0.000} | 5.500 | 5.353 ±.007 | 5.308 ^{+0.000} / _{-.050} | 5.808 | .072 ±.004 | .250 ±.005 | 16.89 |
| VS-625 | 6-3/32 | 6-1/4 | .061 | .067 ^{+0.004} / _{+0.000} | 6.250 | 6.094 ±.008 | 6.033 ^{+0.000} / _{-.045} | 6.563 | .061 ±.002 | .265 ±.005 | 10.26 |
| WST-675 | 6-15/32 | 6-3/4 | .165 | .174 ^{+0.008} / _{+0.000} | 6.750 | 6.465 ±.008 | 6.420 ^{+0.000} / _{-.060} | 7.044 | .165 ±.005 | .312 ±.006 | 47.85 |

NORTH AMERICA
PHONE 1-800-777-5617
FAX 1-800-759-6391

SALES OFFICE HOURS
8 A.M. TO 7:30 P.M. EASTERN TIME
www.HerculesUS.com

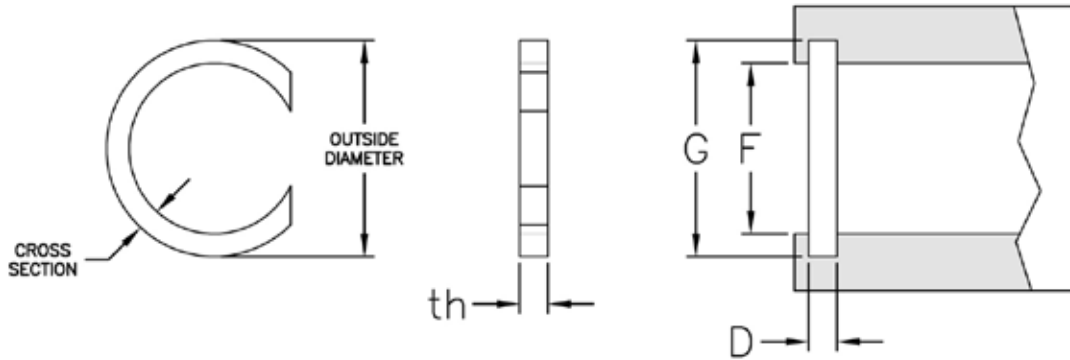
WORLDWIDE
PHONE 1-727-796-1300
FAX 1-727-797-8849



SPIRAL EXTERNAL RETAINER RINGS

**Retainer Ring Assortment Kits
Also Available -
See the Kits & Tools Section**

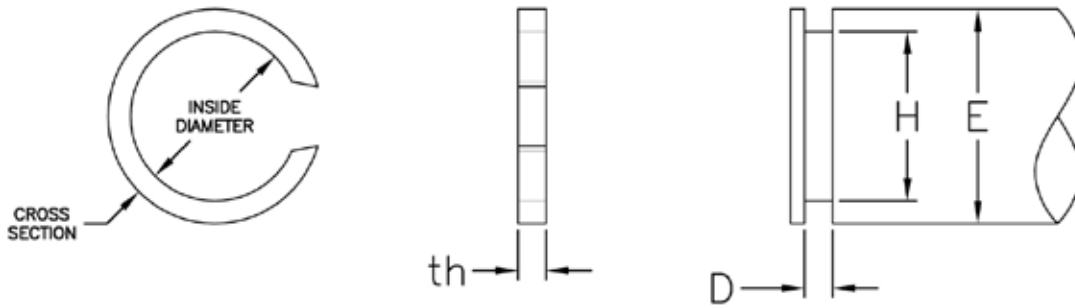
EATON NAN SERIES INTERNAL RETAINER RINGS



RETAINER RINGS

| Part Number | A Nom. ID | B Nom. OD | C Nom. Ht | D GROOVE WIDTH | F THROAT DIAMETER | G HOUSING DIAMETER | INSIDE DIAMETER | OUTSIDE DIAMETER | th THICKNESS | CROSS SECTION | List Price |
|-------------|--------------|--------------|--------------|--|-------------------------|--------------------------|--------------------|---|-----------------|------------------|---------------|
| NAN-62 | 5/8 | .657 | .035 | .039 ^{+0.003} / _{+0.000} | .625 | .657 ±.003 | .574 | .670 ^{+0.025} / _{+0.000} | .035 ±.002 | .048 ±.003 | \$2.54 |
| NAN-75 | 3/4 | .786 | .035 | .039 ^{+0.003} / _{+0.000} | .750 | .786 ±.003 | .703 | .799 ^{+0.025} / _{+0.000} | .035 ±.002 | .048 ±.003 | 3.03 |
| NAN-87 | 7/8 | .919 | .042 | .046 ^{+0.003} / _{+0.000} | .875 | .919 ±.003 | .810 | .934 ^{+0.031} / _{+0.000} | .042 ±.002 | .062 ±.003 | 3.31 |
| NAN-100 | 1 | 1.052 | .042 | .046 ^{+0.003} / _{+0.000} | 1.000 | 1.052 ±.003 | .914 | 1.070 ^{+0.031} / _{+0.000} | .042 ±.002 | .078 ±.003 | 3.51 |
| NAN-112 | 1-1/8 | 1.181 | .05 | .056 ^{+0.003} / _{+0.000} | 1.125 | 1.181 ±.005 | 1.016 | 1.202 ^{+0.031} / _{+0.000} | .050 ±.002 | .093 ±.003 | 3.59 |
| NAN-125 | 1-1/4 | 1.314 | .05 | .056 ^{+0.003} / _{+0.000} | 1.250 | 1.314 ±.005 | 1.119 | 1.337 ^{+0.031} / _{+0.000} | .050 ±.002 | .109 ±.003 | 3.85 |
| NAN-137 | 1-3/8 | 1.447 | .05 | .056 ^{+0.003} / _{+0.000} | 1.375 | 1.447 ±.005 | 1.254 | 1.472 ^{+0.031} / _{+0.000} | .050 ±.002 | .109 ±.003 | 3.98 |
| NAN-150 | 1-1/2 | 1.576 | .05 | .056 ^{+0.003} / _{+0.000} | 1.500 | 1.576 ±.005 | 1.357 | 1.607 ^{+0.031} / _{+0.000} | .050 ±.002 | .125 ±.005 | 4.08 |
| NAN-156 | 1-9/16 | 1.642 | .062 | .068 ^{+0.004} / _{+0.000} | 1.562 | 1.642 ±.005 | 1.418 | 1.668 ^{+0.046} / _{+0.000} | .062 ±.002 | .125 ±.005 | 4.45 |

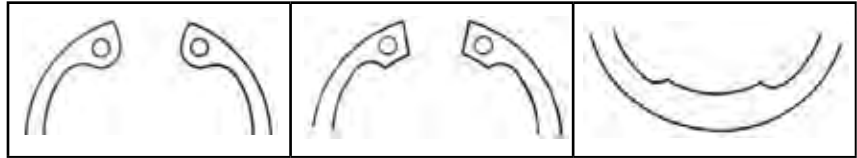
EATON XAN SERIES EXTERNAL RETAINER RINGS



RETAINER RINGS

| Part Number | A Nom. ID | B Nom. OD | C Nom. Ht | D GROOVE WIDTH | E SHAFT DIAMETER | H GROOVE DIAMETER | INSIDE DIAMETER | OUTSIDE DIAMETER | th THICKNESS | CROSS SECTION | List Price |
|-------------|--------------|--------------|--------------|--|---------------------|----------------------|--|------------------|-----------------|---------------|------------|
| XAN-50 | .474 | 1/2 | .035 | .039 ^{+0.003} / _{+0.000} | .500 | .474 ±0.02 | .464 ^{+0.000} / _{-.025} | .560 | .035 ±0.002 | .048 ±0.003 | \$2.17 |
| XAN-62 | .597 | 5/8 | .035 | .039 ^{+0.003} / _{+0.000} | .625 | .597 ±0.02 | .586 ^{+0.000} / _{-.025} | .710 | .035 ±0.002 | .062 ±0.003 | 2.54 |
| XAN-75 | .716 | 3/4 | .042 | .046 ^{+0.003} / _{+0.000} | .750 | .716 ±0.02 | .703 ^{+0.000} / _{-.025} | .827 | .042 ±0.002 | .062 ±0.003 | 3.03 |
| XAN-87 | .835 | 7/8 | .042 | .046 ^{+0.003} / _{+0.000} | .875 | .835 ±0.03 | .820 ^{+0.000} / _{-.031} | .976 | .042 ±0.002 | .078 ±0.003 | 3.31 |
| XAN-100 | .956 | 1 | .042 | .046 ^{+0.003} / _{+0.000} | 1.000 | .956 ±0.03 | .941 ^{+0.000} / _{-.031} | 1.127 | .042 ±0.002 | .093 ±0.003 | 3.51 |
| XAN-112 | 1.075 | 1-1/8 | .05 | .056 ^{+0.004} / _{+0.000} | 1.125 | 1.075 ±0.03 | 1.060 ^{+0.000} / _{-.031} | 1.246 | .050 ±0.002 | .093 ±0.003 | 3.59 |
| XAN-125 | 1.194 | 1-1/4 | .05 | .056 ^{+0.004} / _{+0.000} | 1.250 | 1.194 ±0.04 | 1.179 ^{+0.000} / _{-.031} | 1.365 | .050 ±0.002 | .093 ±0.003 | 3.85 |
| XAN-137 | 1.309 | 1-3/8 | .05 | .056 ^{+0.004} / _{+0.000} | 1.375 | 1.309 ±0.04 | 1.291 ^{+0.000} / _{-.031} | 1.509 | .050 ±0.002 | .109 ±0.003 | 3.98 |
| XAN-150 | 1.43 | 1-1/2 | .05 | .056 ^{+0.004} / _{+0.000} | 1.500 | 1.430 ±0.04 | 1.408 ^{+0.000} / _{-.031} | 1.626 | .050 ±0.002 | .109 ±0.003 | 4.08 |
| XAN-275 | 2.624 | 2-3/4 | .093 | .103 ^{+0.005} / _{+0.000} | 2.750 | 2.624 ±0.06 | 2.594 ^{+0.000} / _{-.062} | 2.968 | .093 ±0.002 | .187 ±0.005 | 11.89 |
| XAN-325 | 3.1 | 3-1/4 | .093 | .103 ^{+0.005} / _{+0.000} | 3.250 | 3.100 ±0.06 | 3.070 ^{+0.000} / _{-.062} | 3.570 | .093 ±0.002 | .250 ±0.005 | 19.27 |
| XAN-375 | 3.576 | 3-3/4 | .109 | .120 ^{+0.005} / _{+0.000} | 3.750 | 3.576 ±0.06 | 3.541 ^{+0.000} / _{-.078} | 4.041 | .109 ±0.002 | .250 ±0.005 | 27.90 |

INTERNAL RETAINER RINGS (TRU-ARC TYPE)



RETAINER RINGS

| Part Number | A Nom. ID | B Nom. OD | C Nom. Ht | D GROOVE WIDTH | F THROAT DIAMETER | G HOUSING DIAMETER | OUTSIDE DIAMETER | th THICKNESS | List Price |
|-------------|--------------|--------------|--------------|--|-------------------------|--------------------------|---|-----------------|---------------|
| 300-025 | 1/4 | .268 | .015 | .020 ⁺⁰⁰² / ₊₀₀₀ | .250 | .268 ±001 | .280 ⁺⁰¹⁰ / ₋₀₀₅ | .015 ±002 | \$0.70 |
| 300-045 | .453 | .477 | .025 | .029 ⁺⁰⁰³ / ₊₀₀₀ | .453 | .477 ±002 | .498 ⁺⁰¹⁰ / ₋₀₀₅ | .025 ±002 | 0.75 |
| 300-050 | 1/2 | .53 | .035 | .039 ⁺⁰⁰³ / ₊₀₀₀ | .500 | .530 ±002 | .548 ⁺⁰¹⁰ / ₋₀₀₅ | .035 ±002 | 0.70 |
| 300-062 | 5/8 | .665 | .035 | .039 ⁺⁰⁰³ / ₊₀₀₀ | .625 | .665 ±002 | .694 ⁺⁰¹⁰ / ₋₀₀₅ | .035 ±002 | 0.70 |
| 300-075 | 3/4 | .796 | .035 | .039 ⁺⁰⁰³ / ₊₀₀₀ | .750 | .796 ±002 | .831 ⁺⁰¹⁰ / ₋₀₀₅ | .035 ±002 | 0.76 |
| 300-087 | 7/8 | .931 | .042 | .046 ⁺⁰⁰³ / ₊₀₀₀ | .875 | .931 ±003 | .971 ⁺⁰¹⁵ / ₋₀₁₀ | .042 ±002 | 0.76 |
| 300-090 | .901 | .959 | .042 | .046 ⁺⁰⁰³ / ₊₀₀₀ | .901 | .959 ±003 | 1.000 ⁺⁰¹⁵ / ₋₀₁₀ | .042 ±002 | 0.75 |
| 300-093 | .938 | 1 | .042 | .046 ⁺⁰⁰³ / ₊₀₀₀ | .938 | 1.000 ±003 | 1.041 ⁺⁰¹⁵ / ₋₀₁₀ | .042 ±002 | 0.75 |
| 300-100 | 1 | 1.066 | .042 | .046 ⁺⁰⁰³ / ₊₀₀₀ | 1.000 | 1.066 ±003 | 1.111 ⁺⁰¹⁵ / ₋₀₁₀ | .042 ±002 | 0.76 |
| 300-102 | 1.023 | 1.091 | .042 | .046 ⁺⁰⁰³ / ₊₀₀₀ | 1.023 | 1.091 ±003 | 1.136 ⁺⁰¹⁵ / ₋₀₁₀ | .042 ±002 | 0.76 |
| 300-106 | 1.062 | 1.13 | .05 | .056 ⁺⁰⁰⁴ / ₊₀₀₀ | 1.062 | 1.130 ±004 | 1.180 ⁺⁰²⁵ / ₋₀₂₀ | .050 ±002 | 1.49 |
| 300-112 | 1-1/8 | 1.197 | .05 | .056 ⁺⁰⁰⁴ / ₊₀₀₀ | 1.125 | 1.197 ±004 | 1.249 ⁺⁰²⁵ / ₋₀₂₀ | .050 ±002 | 0.80 |
| 300-118 | 1.188 | 1.262 | .05 | .056 ⁺⁰⁰⁴ / ₊₀₀₀ | 1.188 | 1.262 ±004 | 1.319 ⁺⁰²⁵ / ₋₀₂₀ | .050 ±002 | 1.18 |
| 300-125 | 1-1/4 | 1.33 | .05 | .056 ⁺⁰⁰⁴ / ₊₀₀₀ | 1.250 | 1.330 ±004 | 1.388 ⁺⁰²⁵ / ₋₀₂₀ | .050 ±002 | 0.88 |
| 300-137 | 1-3/8 | 1.461 | .05 | .056 ⁺⁰⁰⁴ / ₊₀₀₀ | 1.375 | 1.461 ±004 | 1.526 ⁺⁰²⁵ / ₋₀₂₀ | .050 ±002 | 0.97 |
| 300-143 | 1.438 | 1.528 | .05 | .056 ⁺⁰⁰⁴ / ₊₀₀₀ | 1.438 | 1.528 ±004 | 1.596 ⁺⁰²⁵ / ₋₀₂₀ | .050 ±002 | 1.08 |
| 300-150 | 1-1/2 | 1.594 | .05 | .056 ⁺⁰⁰⁴ / ₊₀₀₀ | 1.500 | 1.594 ±004 | 1.660 ⁺⁰²⁵ / ₋₀₂₀ | .050 ±002 | 1.08 |
| 300-156 | 1.562 | 1.658 | .062 | .068 ⁺⁰⁰⁴ / ₊₀₀₀ | 1.562 | 1.658 ±005 | 1.734 ⁺⁰³⁵ / ₋₀₂₅ | .062 ±003 | 1.62 |
| 300-162 | 1-5/8 | 1.725 | .062 | .068 ⁺⁰⁰⁴ / ₊₀₀₀ | 1.625 | 1.725 ±005 | 1.804 ⁺⁰³⁵ / ₋₀₂₅ | .062 ±003 | 1.62 |
| 300-165 | 1.653 | 1.755 | .062 | .068 ⁺⁰⁰⁴ / ₊₀₀₀ | 1.653 | 1.755 ±005 | 1.835 ⁺⁰³⁵ / ₋₀₂₅ | .062 ±003 | 1.14 |
| 300-168 | 1.688 | 1.792 | .062 | .068 ⁺⁰⁰⁴ / ₊₀₀₀ | 1.688 | 1.792 ±005 | 1.874 ⁺⁰³⁵ / ₋₀₂₅ | .062 ±003 | 3.05 |
| 300-175 | 1-3/4 | 1.858 | .062 | .068 ⁺⁰⁰⁴ / ₊₀₀₀ | 1.750 | 1.858 ±005 | 1.942 ⁺⁰³⁵ / ₋₀₂₅ | .062 ±003 | 1.86 |
| 300-187 | 1-7/8 | 1.989 | .062 | .068 ⁺⁰⁰⁴ / ₊₀₀₀ | 1.875 | 1.989 ±005 | 2.072 ⁺⁰³⁵ / ₋₀₂₅ | .062 ±003 | 1.96 |
| 300-193 | 1.938 | 2.056 | .062 | .068 ⁺⁰⁰⁴ / ₊₀₀₀ | 1.938 | 2.056 ±005 | 2.141 ⁺⁰³⁵ / ₋₀₂₅ | .062 ±003 | 1.44 |
| 300-200 | 2 | 2.122 | .062 | .068 ⁺⁰⁰⁴ / ₊₀₀₀ | 2.000 | 2.122 ±005 | 2.210 ⁺⁰³⁵ / ₋₀₂₅ | .062 ±003 | 1.99 |
| 300-206 | 2.062 | 2.186 | .078 | .086 ⁺⁰⁰⁵ / ₊₀₀₀ | 2.062 | 2.186 ±006 | 2.280 ⁺⁰⁴⁰ / ₋₀₃₀ | .078 ±003 | 3.26 |
| 300-212 | 2-1/8 | 2.251 | .078 | .086 ⁺⁰⁰⁵ / ₊₀₀₀ | 2.125 | 2.251 ±006 | 2.350 ⁺⁰⁴⁰ / ₋₀₃₀ | .078 ±003 | 3.49 |
| 300-225 | 2-1/4 | 2.382 | .078 | .086 ⁺⁰⁰⁵ / ₊₀₀₀ | 2.250 | 2.382 ±006 | 2.490 ⁺⁰⁴⁰ / ₋₀₃₀ | .078 ±003 | 3.49 |

INTERNAL RETAINER RINGS (TRU-ARC TYPE)

| Part Number | A Nom. ID | B Nom. OD | C Nom. Ht | D GROOVE WIDTH | F THROAT DIAMETER | G HOUSING DIAMETER | OUTSIDE DIAMETER | th THICKNESS | List Price |
|-------------|--------------|--------------|--------------|--|-------------------------|--------------------------|--|-----------------|---------------|
| 300-231 | 2.312 | 2.45 | .078 | .086 ⁺⁰⁰⁵ / ₊₀₀₀ | 2.312 | 2.450 ±006 | 2.535 ⁺⁰⁴⁰ / _{-.030} | .078 ±003 | 3.47 |
| 300-237 | 2-3/8 | 2.517 | .078 | .086 ⁺⁰⁰⁵ / ₊₀₀₀ | 2.375 | 2.517 ±006 | 2.630 ⁺⁰⁴⁰ / _{-.030} | .078 ±003 | 3.49 |
| 300-244 | 2.44 | 2.584 | .078 | .086 ⁺⁰⁰⁵ / ₊₀₀₀ | 2.440 | 2.584 ±006 | 2.702 ⁺⁰⁴⁰ / _{-.030} | .078 ±003 | 3.58 |
| 300-250 | 2-1/2 | 2.648 | .078 | .086 ⁺⁰⁰⁵ / ₊₀₀₀ | 2.500 | 2.648 ±006 | 2.775 ⁺⁰⁴⁰ / _{-.030} | .078 ±003 | 3.85 |
| 300-256 | 2.562 | 2.714 | .093 | .103 ⁺⁰⁰⁵ / ₊₀₀₀ | 2.562 | 2.714 ±006 | 2.844 ⁺⁰⁴⁰ / _{-.030} | .093 ±003 | 4.47 |
| 300-262 | 2-5/8 | 2.781 | .093 | .103 ⁺⁰⁰⁵ / ₊₀₀₀ | 2.625 | 2.781 ±006 | 2.910 ⁺⁰⁴⁰ / _{-.030} | .093 ±003 | 7.20 |
| 300-275 | 2-3/4 | 2.914 | .093 | .103 ⁺⁰⁰⁵ / ₊₀₀₀ | 2.750 | 2.914 ±006 | 3.050 ⁺⁰⁴⁰ / _{-.030} | .093 ±003 | 4.86 |
| 300-281 | 2.835 | 2.98 | .093 | .103 ⁺⁰⁰⁵ / ₊₀₀₀ | 2.835 | 2.980 ±006 | 3.121 ⁺⁰⁴⁰ / _{-.030} | .093 ±003 | 8.00 |
| 300-287 | 2-7/8 | 3.051 | .093 | .103 ⁺⁰⁰⁵ / ₊₀₀₀ | 2.875 | 3.051 ±006 | 3.191 ⁺⁰⁴⁰ / _{-.030} | .093 ±003 | 15.14 |
| 300-300 | 3 | 3.182 | .093 | .103 ⁺⁰⁰⁵ / ₊₀₀₀ | 3.000 | 3.182 ±006 | 3.325 ⁺⁰⁴⁰ / _{-.030} | .093 ±003 | 5.98 |
| 300-306 | 3.062 | 3.248 | .109 | .120 ⁺⁰⁰⁵ / ₊₀₀₀ | 3.062 | 3.248 ±006 | 3.418 ±055 | .109 ±003 | 7.20 |
| 300-312 | 3-1/8 | 3.315 | .109 | .120 ⁺⁰⁰⁵ / ₊₀₀₀ | 3.125 | 3.315 ±006 | 3.488 ±055 | .109 ±003 | 9.05 |
| 300-315 | 3.149 | 3.348 | .109 | .120 ⁺⁰⁰⁵ / ₊₀₀₀ | 3.149 | 3.348 ±006 | 3.523 ±055 | .109 ±003 | 9.05 |
| 300-325 | 3-1/4 | 3.446 | .109 | .120 ⁺⁰⁰⁵ / ₊₀₀₀ | 3.250 | 3.446 ±006 | 3.623 ±055 | .109 ±003 | 9.44 |
| 300-350 | 3-1/2 | 3.71 | .109 | .120 ⁺⁰⁰⁵ / ₊₀₀₀ | 3.500 | 3.710 ±006 | 3.890 ±055 | .109 ±003 | 9.44 |
| 300-354 | 3.562 | 3.755 | .109 | .120 ⁺⁰⁰⁵ / ₊₀₀₀ | 3.562 | 3.755 ±006 | 3.936 ±055 | .109 ±003 | 9.70 |
| 300-362 | 3-5/8 | 3.841 | .109 | .120 ⁺⁰⁰⁵ / ₊₀₀₀ | 3.625 | 3.841 ±006 | 4.024 ±055 | .109 ±003 | 10.68 |
| 300-375 | 3-3/4 | 3.974 | .109 | .120 ⁺⁰⁰⁵ / ₊₀₀₀ | 3.750 | 3.974 ±006 | 4.157 ±065 | .109 ±003 | 10.89 |
| 300-387 | 3-7/8 | 4.107 | .109 | .120 ⁺⁰⁰⁵ / ₊₀₀₀ | 3.875 | 4.107 ±006 | 4.291 ±065 | .109 ±003 | 23.85 |
| 300-393 | 3.938 | 4.174 | .109 | .120 ⁺⁰⁰⁵ / ₊₀₀₀ | 3.938 | 4.174 ±006 | 4.358 ±065 | .109 ±003 | 11.49 |
| 300-400 | 4 | 4.24 | .109 | .120 ⁺⁰⁰⁵ / ₊₀₀₀ | 4.000 | 4.240 ±006 | 4.424 ±065 | .109 ±003 | 11.49 |
| 300-412 | 4-1/8 | 4.365 | .109 | .120 ⁺⁰⁰⁵ / ₊₀₀₀ | 4.125 | 4.365 ±006 | 4.558 ±065 | .109 ±003 | 13.78 |
| 300-425 | 4-1/4 | 4.49 | .109 | .120 ⁺⁰⁰⁵ / ₊₀₀₀ | 4.250 | 4.490 ±006 | 4.691 ±065 | .109 ±003 | 17.85 |
| 300-433 | 4.331 | 4.571 | .109 | .120 ⁺⁰⁰⁵ / ₊₀₀₀ | 4.331 | 4.571 ±006 | 4.756 ±065 | .109 ±003 | 13.78 |
| 300-450 | 4-1/2 | 4.74 | .109 | .120 ⁺⁰⁰⁵ / ₊₀₀₀ | 4.500 | 4.740 ±006 | 4.940 ±065 | .109 ±003 | 13.78 |
| 300-462 | 4-5/8 | 4.865 | .109 | .120 ⁺⁰⁰⁵ / ₊₀₀₀ | 4.625 | 4.865 ±006 | 5.076 ±065 | .109 ±003 | 15.84 |
| 300-475 | 4-3/4 | 4.995 | .109 | .120 ⁺⁰⁰⁵ / ₊₀₀₀ | 4.750 | 4.995 ±006 | 5.213 ±065 | .109 ±003 | 17.21 |
| 300-500 | 5 | 5.26 | .109 | .120 ⁺⁰⁰⁵ / ₊₀₀₀ | 5.000 | 5.260 ±006 | 5.485 ±065 | .109 ±003 | 17.61 |
| 300-525 | 5-1/4 | 5.52 | 1/8 | .139 ⁺⁰⁰⁵ / ₊₀₀₀ | 5.250 | 5.520 ±007 | 5.770 ±065 | .125 ±004 | 17.82 |
| 300-537 | 5-3/8 | 5.65 | 1/8 | .139 ⁺⁰⁰⁶ / ₊₀₀₀ | 5.375 | 5.650 ±007 | 5.910 ±065 | .125 ±004 | 36.12 |
| 300-550 | 5-1/2 | 5.77 | 1/8 | .139 ⁺⁰⁰⁶ / ₊₀₀₀ | 5.500 | 5.770 ±007 | 6.066 ±065 | .125 ±004 | 20.66 |
| 300-600 | 6 | 6.27 | 1/8 | .139 ⁺⁰⁰⁶ / ₊₀₀₀ | 6.000 | 6.270 ±007 | 6.620 ±065 | .125 ±004 | 31.67 |
| 300-625 | 6-1/4 | 6.53 | .156 | .174 ⁺⁰⁰⁸ / ₊₀₀₀ | 6.250 | 6.530 ±008 | 6.895 ±080 | .156 ±005 | 51.26 |

RETAINER RINGS

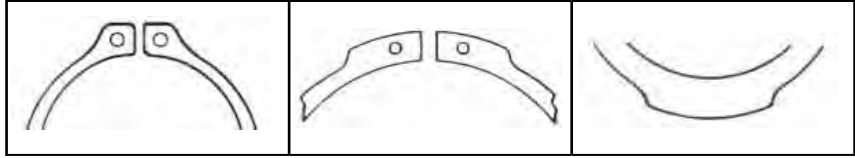


INTERNAL RETAINER RINGS (TRU-ARC TYPE)

| Part Number | A Nom. ID | B Nom. OD | C Nom. Ht | D GROOVE WIDTH | F THROAT DIAMETER | G HOUSING DIAMETER | OUTSIDE DIAMETER | th THICKNESS | List Price |
|-------------|--------------|--------------|--------------|--|-------------------------|--------------------------|---------------------|-----------------|---------------|
| 300-650 | 6-1/2 | 6.79 | .156 | .174 ⁺⁰⁰⁸ / ₊₀₀₀ | 6.500 | 6.790 ±008 | 7.170 ±080 | .156 ±005 | 52.86 |
| 300-700 | 7 | 7.315 | .156 | .174 ⁺⁰⁰⁸ / ₊₀₀₀ | 7.000 | 7.315 ±008 | 7.720 ±080 | .156 ±005 | 117.58 |

RETAINER RINGS

EXTERNAL RETAINER RINGS (TRU-ARC TYPE)



HD= HEAVY DUTY RING

| Part Number | D GROOVE WIDTH | E SHAFT DIAMETER | H GROOVE DIAMETER | INSIDE DIAMETER | th THICKNESS | List Price |
|-------------|--|------------------|-------------------|---|--|------------|
| 310-025 | .029 ^{+0.003} / _{+0.000} | .250 | .230 ±0.002 | .225 ^{-0.111} / _{-0.117} | .025 ±0.001 | \$0.57 |
| 310-028 | .029 ^{+0.003} / _{+0.000} | .281 | .261 ±0.002 | .256 ^{+0.002} / _{-0.005} | .025 ±0.002 | 0.91 |
| 310-037 | .029 ^{+0.003} / _{+0.000} | .375 | .352 ±0.002 | .338 ^{+0.002} / _{-0.006} | .025 ±0.002 | 0.57 |
| 310-050 | .039 ^{+0.003} / _{+0.000} | .500 | .468 ±0.002 | .461 ^{+0.002} / _{-0.005} | .035 ±0.002 | 0.70 |
| 310-062 | .039 ^{+0.003} / _{+0.000} | .625 | .588 ±0.003 | .579 ^{+0.005} / _{-0.010} | .035 ±0.002 | 0.70 |
| 310-068 | .046 ^{+0.003} / _{+0.000} | .688 | .646 ±0.003 | .635 ^{+0.005} / _{-0.010} | .042 ±0.002 | 0.70 |
| 310-075 | .046 ^{+0.003} / _{+0.000} | .750 | .704 ±0.003 | .693 ^{+0.005} / _{-0.010} | .042 ±0.002 | 0.70 |
| 310-081 | .046 ^{+0.003} / _{+0.000} | .812 | .762 ±0.003 | .751 ^{+0.005} / _{-0.010} | .042 ±0.002 | 0.76 |
| 310-087 | .046 ^{+0.003} / _{+0.000} | .875 | .821 ±0.003 | .810 ^{+0.005} / _{-0.010} | .042 ±0.002 | 0.76 |
| 310-093 | .046 ^{+0.003} / _{+0.000} | .938 | .882 ±0.003 | .867 ^{+0.005} / _{-0.010} | .042 ±0.002 | 0.76 |
| 310-100 | .046 ^{+0.003} / _{+0.000} | 1.000 | .940 ±0.003 | .925 ^{+0.005} / _{-0.010} | .042 ±0.002 | 0.80 |
| 310-112 | .056 ^{+0.004} / _{+0.000} | 1.125 | 1.059 ±0.004 | 1.041 ^{+0.010} / _{-0.015} | .050 ±0.002 | 1.08 |
| 310-118 | .056 ^{+0.004} / _{+0.000} | 1.188 | 1.118 ±0.004 | 1.098 ^{+0.010} / _{-0.015} | .050 ±0.002 | 1.08 |
| 310-125 | .056 ^{+0.004} / _{+0.000} | 1.250 | 1.176 ±0.004 | 1.156 ^{+0.010} / _{-0.015} | .050 ±0.002 | 0.91 |
| 310-137 | .056 ^{+0.004} / _{+0.000} | 1.375 | 1.291 ±0.004 | 1.272 ^{+0.010} / _{-0.015} | .050 ±0.002 | 1.05 |
| 310-150 | .056 ^{+0.004} / _{+0.000} | 1.500 | 1.406 ±0.004 | 1.387 ^{+0.010} / _{-0.015} | .050 ±0.002 | 1.12 |
| 310-162 | .068 ^{+0.004} / _{+0.000} | 1.625 | 1.529 ±0.005 | 1.503 ^{+0.013} / _{-0.020} | .620 ^{-0.555} / _{-0.561} | 1.52 |
| 310-175HD | .120 ^{+0.005} / _{+0.000} | 1.750 | 1.650 ±0.003 | 1.608 ^{+0.013} / _{-0.020} | .109 ±0.003 | 5.63 |
| 310-175 | .068 ^{+0.004} / _{+0.000} | 1.750 | 1.650 ±0.005 | 1.618 ^{+0.013} / _{-0.020} | .062 ±0.003 | 1.93 |
| 310-200 | .068 ^{+0.004} / _{+0.000} | 2.000 | 1.886 ±0.005 | 1.850 ^{+0.013} / _{-0.020} | .062 ±0.003 | 2.93 |
| 310-212 | .086 ^{+0.005} / _{+0.000} | 2.125 | 2.003 ±0.006 | 1.964 ^{+0.015} / _{-0.025} | .078 ±0.003 | 3.39 |
| 310-225 | .086 ^{+0.005} / _{+0.000} | 2.250 | 2.120 ±0.006 | 2.081 ^{+0.015} / _{-0.025} | .078 ±0.003 | 3.39 |
| 310-237 | .086 ^{+0.005} / _{+0.000} | 2.375 | 2.239 ±0.006 | 2.197 ^{+0.015} / _{-0.025} | .078 ±0.003 | 5.25 |
| 310-250 | .086 ^{+0.005} / _{+0.000} | 2.500 | 2.360 ±0.006 | 2.313 ^{+0.015} / _{-0.025} | .078 ±0.003 | 6.42 |
| 310-262 | .086 ^{+0.005} / _{+0.000} | 2.625 | 2.481 ±0.006 | 2.428 ^{+0.020} / _{-0.030} | .078 ±0.003 | 6.44 |
| 310-275 | .103 ^{+0.005} / _{+0.000} | 2.750 | 2.602 ±0.006 | 2.543 ^{+0.020} / _{-0.030} | .093 ±0.003 | 6.53 |
| 310-287 | .103 ^{+0.005} / _{+0.000} | 2.875 | 2.838 ±0.006 | 2.659 ^{+0.020} / _{-0.030} | .093 ±0.003 | 6.90 |
| 310-300 | .103 ^{+0.005} / _{+0.000} | 3.000 | 2.838 ±0.006 | 2.775 ^{+0.020} / _{-0.030} | .093 ±0.003 | 6.58 |

RETAINER RINGS



EXTERNAL RETAINER RINGS (TRU-ARC TYPE)

| Part Number | D GROOVE WIDTH | E SHAFT DIAMETER | H GROOVE DIAMETER | INSIDE DIAMETER | th THICKNESS | List Price |
|-------------|--|------------------------|----------------------|--|-----------------|---------------|
| 310-325 | .103 ^{+0.005} / _{+0.000} | 3.250 | 3.076 ±.006 | 3.006 ^{+0.020} / _{-.030} | .093 ±.003 | 12.98 |
| 310-350 | .120 ^{+0.005} / _{+0.000} | 3.500 | 3.316 ±.006 | 3.237 ^{+0.020} / _{-.030} | .109 ±.003 | 12.19 |
| 310-400 | .120 ^{+0.005} / _{+0.000} | 4.000 | 3.792 ±.006 | 3.700 ^{+0.020} / _{-.030} | .109 ±.003 | 23.75 |
| 310-425 | .120 ^{+0.005} / _{+0.000} | 4.250 | 4.065 ±.006 | 3.989 ^{+0.020} / _{-.030} | .109 ±.003 | 20.91 |
| 310-437 | .120 ^{+0.005} / _{+0.000} | 4.375 | 4.190 ±.006 | 4.106 ^{+0.020} / _{-.030} | .109 ±.003 | 26.70 |
| 310-450 | .120 ^{+0.005} / _{+0.000} | 4.500 | 4.310 ±.006 | 4.223 ^{+0.020} / _{-.030} | .109 ±.003 | 26.70 |
| 310-500 | .120 ^{+0.005} / _{+0.000} | 5.000 | 4.790 ±.006 | 4.692 ^{+0.020} / _{-.030} | .109 ±.003 | 24.03 |
| 310-575 | .139 ^{+0.006} / _{+0.000} | 5.750 | 5.505 ±.007 | 5.396 ^{+0.020} / _{-.040} | .125 ±.004 | 68.48 |

Retainer Ring Assortment Kits
Also Available -
See the Kit & Tool Section

STYLE RSR RETAINER RINGS

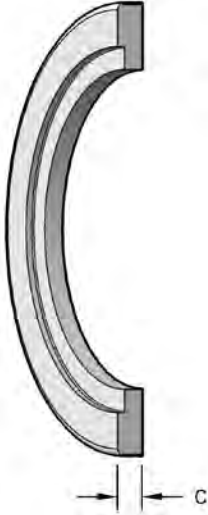


RETAINER RINGS

| Part Number | A Nom. ID | B Nom. OD | C Nom. Ht | INSIDE DIAMETER | OUTSIDE DIAMETER | th THICKNESS | CROSS SECTION | List Price |
|------------------|--------------|--------------|--------------|--------------------|--|-----------------|------------------|---------------|
| RSR-031 | .28 | .35 | .035 | .280 | .350 | .035 | .035 | \$4.33 |
| RSR-052 | .519 | 5/8 | .053 | .519 | .625 ±.005 | .053 ±.005 | .053 ±.005 | 5.15 |
| RSR-092 | .92 | 1.08 | .08 | .920 | 1.080 ±.010 | .080 ±.001 | .080 ±.001 | 22.76 |
| RSR-105 | 1.05 | 1.2 | .075 | 1.050 ±.005 | 1.200 | .075 ±.005 | .075 ±.005 | 6.00 |
| RSR-150 | 1.384 | 1.51 | .063 | 1.384 | 1.510 ±.025 | .063 ±.001 | .063 ±.001 | 11.33 |
| RSR-138 | 1.39 | 1.662 | .136 | 1.390 ±.005 | 1.662 | .136 ±.002 | .136 ±.002 | 32.18 |
| RSR-152 | 1.416 | 1.6 | .092 | 1.416 | 1.600 ±.010 | .092 ±.005 | .092 ±.005 | 26.38 |
| RSR-151 | 1.462 | 1.58 | .059 | 1.462 | 1.580 ±.010 | .059 ±.005 | .059 ±.005 | 19.59 |
| RSR-150A | 1.61 | 1.735 | 1/16 | 1.610 ±.025 | 1.735 | .0625 | .0625 | 18.46 |
| RSR-175 | 1.688 | 1.812 | .062 | 1.688 | 1.812 ±.005 | .062 ±.005 | .062 ±.005 | 23.69 |
| RSR-175X090 | 1.72 | 1.9 | .09 | 1.720 | 1.900 ±.010 | .090 ±.005 | .090 ±.005 | 15.02 |
| RSR-202 | 1.92 | 2.176 | .128 | 1.920 ±.010 | 2.176 | .128 ±.005 | .128 ±.005 | 26.75 |
| RSR-201 | 1.932 | 2.116 | .092 | 1.932 | 2.116 ⁺⁰²⁰ _{-.005} | .092 ±.001 | .092 ±.001 | 26.75 |
| RSR-204 | 1.98 | 2.12 | .07 | 1.980 | 2.120 | .070 | .070 | 9.56 |
| RSR-203 | 2.03 | 2.28 | 1/8 | 2.030 | 2.280 ±.010 | .125 ±.005 | .125 ±.005 | 26.75 |
| RSR-218X078 | 2.032 | 2.189 | .078 | 2.032 | 2.189 ±.005 | .078 ±.005 | .078 ±.005 | 16.45 |
| RSR-225B | 2.05 | 2-1/4 | .1 | 2.050 | 2.250 ±.010 | .100 ±.005 | .100 ±.005 | 21.79 |
| RSR-206 | 2.06 | 2.31 | 1/8 | 2.063 | 2.313 ±.010 | .125 ±.005 | .125 ±.005 | 31.91 |
| RSR-200 | 2.127 | 2.275 | .074 | 2.127 | 2.275 ±.005 | .074 ±.005 | .074 ±.005 | 11.61 |
| RSR-225A | 2.186 | 2.37 | .092 | 2.186 | 2.370 ±.010 | .092 ±.005 | .092 ±.005 | 21.79 |
| RSR-225 | 2.28 | 2.53 | 1/8 | 2.280 | 2.530 ±.010 | .125 ±.005 | .125 ±.005 | 34.41 |
| RSR-260 | 2.414 | 2.6 | .093 | 2.414 | 2.600 ±.005 | .093 ±.005 | .093 ±.005 | 19.32 |
| RSR-250 | 2.466 | 2.76 | .147 | 2.466 | 2.760 ±.010 | .147 ±.005 | .147 ±.005 | 27.90 |
| RSR-256X125 | 2.52 | 2.77 | 1/8 | 2.520 | 2.770 ±.010 | .125 ±.005 | .125 ±.005 | 32.50 |
| RSR-275 | 2.686 | 2.87 | .092 | 2.686 | 2.870 ⁺⁰²⁰ _{-.005} | .092 ±.001 | .092 ±.001 | 7.04 |
| RSR-300 | 2.93 | 3.186 | .128 | 2.930 | 3.186 | .128 | .128 | 34.41 |
| RSR-301 | 2.966 | 3.26 | .147 | 2.966 | 3.260 ±.010 | .147 ±.005 | .147 ±.005 | 22.71 |
| RSR-3.50X.18X.25 | 3.14 | 3-1/2 | 1/4 | 3.140 | 3.500 ±.010 | .250 ±.010 | .180 ±.010 | 45.92 |
| RSR-422 | 3.92 | 4.22 | .15 | 3.920 | 4.220 ±.010 | .150 ±.010 | .150 ±.010 | 27.81 |

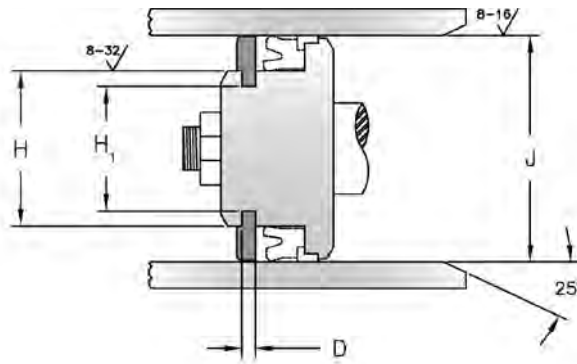
STYLE SR U-SEAL RETAINER RINGS

These rings are split for ease of installation and are retained in a groove. Their use is primarily to retain single acting piston seals. Commonly used with UFN style piston seals.



HERCULES PART NUMBERS

SR - 2.00 X 1.37
 Style Outside Diameter Shaft Diameter



SEAL INFORMATION

| | |
|-------------------|-----------------|
| MATERIAL | ACETAL |
| TEMPERATURE RANGE | -22° TO +212° F |

RETAINER RINGS

| Part Number | A Nom. ID | B Nom. OD | C ₁ OVERALL HEIGHT | D ₁ BEARING GROOVE WIDTH | H GROOVE DIAMETER | H ₁ BEARING GROOVE DIAMETER | J BORE DIAMETER | List Price |
|--------------|--------------|--------------|----------------------------------|--|----------------------|---|--------------------|------------|
| SR-2.00X1.37 | 1.211 | 2 | .250 ±.005 | .130 ^{+.005} / _{+.000} | 1.375 | 1.211 ^{+.000} / _{-.005} | 2.000 | \$3.49 |
| SR-2.37X1.75 | 1.586 | 2-3/8 | .250 ±.005 | .130 ^{+.005} / _{+.000} | 1.750 | 1.586 ^{+.000} / _{-.005} | 2.375 | 4.11 |
| SR-2.50X1.87 | 1.711 | 2-1/2 | .250 ±.005 | .130 ^{+.005} / _{+.000} | 1.875 | 1.711 ^{+.000} / _{-.005} | 2.500 | 6.67 |
| SR-2.62X2.00 | 1.836 | 2-5/8 | .250 ±.005 | .130 ^{+.005} / _{+.000} | 2.000 | 1.836 ^{+.000} / _{-.005} | 2.625 | 4.23 |
| SR-3.00X2.25 | 2.086 | 3 | .250 ±.005 | .130 ^{+.005} / _{+.000} | 2.250 | 2.086 ^{+.000} / _{-.005} | 3.000 | 5.38 |
| SR-3.50X2.75 | 2.586 | 3-1/2 | .250 ±.005 | .130 ^{+.005} / _{+.000} | 2.750 | 2.586 ^{+.000} / _{-.005} | 3.500 | 6.94 |
| SR-3.62X3.00 | 2.836 | 3-5/8 | .250 ±.005 | .130 ^{+.005} / _{+.000} | 3.000 | 2.836 ^{+.000} / _{-.005} | 3.625 | 5.51 |
| SR-4.00X3.25 | 3.086 | 4 | .275 ±.005 | .190 ^{+.005} / _{+.000} | 3.250 | 3.086 ^{+.000} / _{-.005} | 4.000 | 6.04 |
| SR-4.12X3.50 | 3.336 | 4-1/8 | .250 ±.005 | .130 ^{+.005} / _{+.000} | 3.500 | 3.336 ^{+.000} / _{-.005} | 4.125 | 6.94 |

Seal color may vary. Special order sizes are available. Sizes not shown and out of stock items can also be ordered for next day delivery through Seals On Demand, our custom seal program. Please call your regional sales team for assistance.

Metric Seals

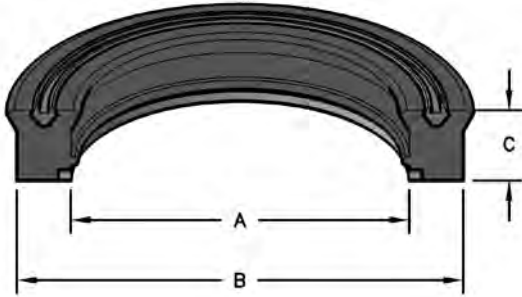
| Contents | Page |
|------------------------------------|-------------|
| Rod U-Seals | 448 - 484 |
| Rod U-Seal w/Back-Up Rings | 485 - 495 |
| Rod Seals | 496 - 502 |
| Piston U-Seals | 503 - 513 |
| U-Seals | 514 - 542 |
| Cushion Seals | 543 - 547 |
| Buffer Seals | 548 - 563 |
| Swivel Seals | 564 |
| Vee Packing | 565 - 566 |
| Unitized Pistons | 567 - 568 |
| Piston Seal Assemblies | 569 - 616 |
| Piston Rings | 617 - 618 |
| Wear Rings | 619 - 643 |
| Wiper Rings | 644 - 688 |
| Link Pin and Metal Clad Dust Seals | 689 - 693 |
| Oil Seals | 694 - 698 |
| Shaft Seals | 699 |
| O-Ring Size Chart for Metric Seals | 700 - 701 |
| O-Rings | 702 - 723 |
| Head Seals | 724 - 727 |
| Back-Up Rings | 728 - 732 |
| Retainer Rings | 733 - 737 |



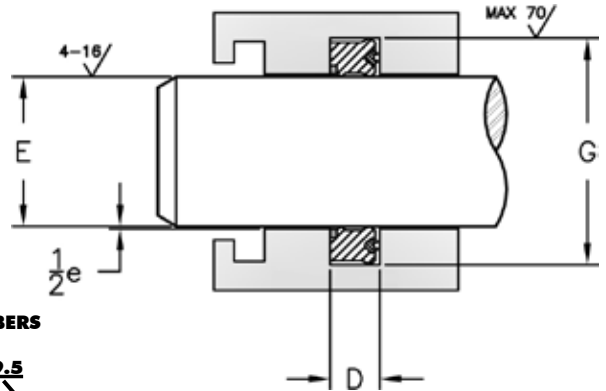
STYLE MRTUB SUPER-DUTY ROD U-SEALS

Our premium single-acting polyurethane rod seal incorporates an NBR energizer to seal at low pressures. The twin lip design provides stability and friction-reducing lube retention for dry rod sealing, and the included hard acetal backup ring resists extrusion. MRTUB is capable of pressures up to 10,000 psi in approved applications.

E= European Urethane.



*Energizer may vary



HERCULES PART NUMBERS

MRTUB - 35 x 50 x 9.5

Type of Seal Rod Diameter Groove Diameter Height

| SEAL INFORMATION | | | | | |
|------------------------------|---|-----------|-------------------|-----------|------------|
| MATERIAL | 94A URETHANE SEAL RUBBER ENERGIZER POLYACETAL ANTI-EXTRUSION RING | | | | |
| MAXIMUM OPERATING CONDITIONS | | | | | |
| MAXIMUM SPEED | PRESSURE RANGE | | TEMPERATURE RANGE | | |
| 3 ft/sec | 0 - 6,000 psi | | -50° to +230° F | | |
| MAXIMUM EXTRUSION GAP | | | | | |
| PRESSURE | 2,400 psi | 3,750 psi | 6,000 psi | 7,500 psi | 10,000 psi |
| MAX. DIAM. GAP | .040" | .032" | .024" | .016" | .010" |

| Part Number | A Nom. ID | B Nom. OD | C Nom. Ht | D GROOVE WIDTH | E ROD DIAMETER | G HOUSING DIAMETER | List Price |
|-------------------|--------------|--------------|--------------|---|---|---|---------------|
| MRTUB-30X40X7.3 | 30 | 40 | 7.3 | 8.00 ^{+0.25} / _{+0.00} | 30.00 ^{-0.020} / _{-0.072} | 40.00 ±0.08 | \$39.04 |
| MRTUB-30X40X10 | 30 | 40 | 10 | 11.00 ^{+0.25} / _{+0.00} | 30.00 ^{-0.020} / _{-0.072} | 40.00 ±0.08 | 49.04 |
| MRTUB-35X45X10 | 35 | 45 | 10 | 11.00 ^{+0.25} / _{+0.00} | 35.00 ^{-0.025} / _{-0.087} | 45.00 ±0.08 | 49.69 |
| MRTUB-35X50X9.5 | 35 | 50 | 9.5 | 10.50 ^{+0.25} / _{+0.00} | 35.00 ^{-0.025} / _{-0.087} | 50.00 ±0.08 | 42.69 |
| MRTUB-35X50X9.5-E | 35 | 50 | 9.5 | 10.50 ^{+0.20} / _{+0.00} | 35.00 ^{-0.025} / _{-0.064} | 50.00 ^{+0.16} / _{+0.00} | 8.76 |
| MRTUB-36X46X7.3 | 36 | 46 | 7.3 | 8.00 ^{+0.25} / _{+0.00} | 36.00 ^{-0.025} / _{-0.087} | 46.00 ±0.08 | 43.49 |
| MRTUB-40X50X7.3 | 40 | 50 | 7.3 | 8.00 ^{+0.25} / _{+0.00} | 40.00 ^{-0.025} / _{-0.087} | 50.00 ±0.08 | 46.30 |
| MRTUB-40X50X10 | 40 | 50 | 10 | 11.00 ^{+0.25} / _{+0.00} | 40.00 ^{-0.025} / _{-0.087} | 50.00 ±0.08 | 50.37 |
| MRTUB-45X55X7.3 | 45 | 55 | 7.3 | 8.00 ^{+0.25} / _{+0.00} | 45.00 ^{-0.025} / _{-0.087} | 55.00 ±0.095 | 50.16 |
| MRTUB-45X55X10 | 45 | 55 | 10 | 11.00 ^{+0.25} / _{+0.00} | 45.00 ^{-0.025} / _{-0.087} | 55.00 ±0.095 | 51.05 |

NORTH AMERICA
PHONE 1-800-777-5617
FAX 1-800-759-6391

SALES OFFICE HOURS
8 A.M. TO 7:30 P.M. EASTERN TIME
www.HerculesUS.com

WORLDWIDE
PHONE 1-727-796-1300
FAX 1-727-797-8849



STYLE MRTUB SUPER-DUTY ROD U-SEALS

| Part Number | A Nom. ID | B Nom. OD | C Nom. Ht | D GROOVE WIDTH | E ROD DIAMETER | G HOUSING DIAMETER | List Price |
|--------------------|--------------|--------------|--------------|-------------------------|----------------------------|--------------------------|---------------|
| MRTUB-45X60X11.4 | 45 | 60 | 11.4 | 12.50 +0.25 +0.00 | 45.00 -0.025 -0.087 | 60.00 ±0.095 | 51.51 |
| MRTUB-45X60X11.4-E | 45 | 60 | 11.4 | 12.40 +0.20 +0.00 | 45.00 -0.025 -0.064 | 60.00 +0.19 +0.00 | 8.28 |
| MRTUB-50X60X7.3 | 50 | 60 | 7.3 | 8.00 +0.25 +0.00 | 50.00 -0.025 -0.087 | 60.00 ±0.095 | 53.90 |
| MRTUB-50X60X10 | 50 | 60 | 10 | 11.00 +0.25 +0.00 | 50.00 -0.025 -0.087 | 60.00 ±0.095 | 51.72 |
| MRTUB-50X65X10 | 50 | 65 | 10 | 11.00 +0.25 +0.00 | 50.00 -0.025 -0.087 | 65.00 ±0.095 | 49.22 |
| MRTUB-50X65X11.4 | 50 | 65 | 11.4 | 12.50 +0.25 +0.00 | 50.00 -0.025 -0.087 | 65.00 ±0.095 | 55.49 |
| MRTUB-55X65X10 | 55 | 65 | 10 | 11.00 +0.25 +0.00 | 55.00 -0.030 -0.104 | 65.00 ±0.095 | 52.40 |
| MRTUB-55X70X9 | 55 | 70 | 9 | 10.00 +0.25 +0.00 | 55.00 -0.030 -0.104 | 70.00 ±0.095 | 47.17 |
| MRTUB-55X70X11.4 | 55 | 70 | 11.4 | 12.50 +0.25 +0.00 | 55.00 -0.030 -0.104 | 70.00 ±0.095 | 57.40 |
| MRTUB-56X71X11.4 | 56 | 71 | 11.4 | 12.50 +0.25 +0.00 | 56.00 -0.030 -0.104 | 71.00 ±0.095 | 58.18 |
| MRTUB-56X71X12.5KI | 56 | 71 | 12.5 | 12.50 +0.20 +0.00 | 56.00 -0.030 -0.076 | 71.00 +0.19 +0.00 | 38.40 |
| MRTUB-60X73X13 | 60 | 73 | 13 | 14.00 +0.25 +0.00 | 60.00 -0.030 -0.104 | 73.00 ±0.095 | 51.51 |
| MRTUB-60X75X11.4 | 60 | 75 | 11.4 | 12.50 +0.25 +0.00 | 60.00 -0.030 -0.104 | 75.00 ±0.095 | 61.26 |
| MRTUB-63X78X11.4 | 63 | 78 | 11.4 | 12.50 +0.25 +0.00 | 63.00 -0.030 -0.104 | 78.00 ±0.095 | 63.49 |
| MRTUB-63X83X11.8 | 63 | 83 | 11.8 | 13.00 +0.25 +0.00 | 63.00 -0.030 -0.104 | 83.00 ±0.11 | 64.99 |
| MRTUB-65X75X10 | 65 | 75 | 10 | 11.00 +0.25 +0.00 | 65.00 -0.030 -0.104 | 75.00 ±0.095 | 55.32 |
| MRTUB-65X80X10 | 65 | 80 | 10 | 11.00 +0.25 +0.00 | 65.00 -0.030 -0.104 | 80.00 ±0.095 | 58.13 |
| MRTUB-65X80X11.4 | 65 | 80 | 11.4 | 12.50 +0.25 +0.00 | 65.00 -0.030 -0.104 | 80.00 ±0.095 | 61.42 |
| MRTUB-70X83X13 | 70 | 83 | 13 | 14.00 +0.25 +0.00 | 70.00 -0.030 -0.104 | 83.00 ±0.11 | 54.73 |
| MRTUB-70X85X11.4 | 70 | 85 | 11.4 | 12.50 +0.25 +0.00 | 70.00 -0.030 -0.104 | 85.00 ±0.11 | 68.94 |
| MRTUB-75X88X13 | 75 | 88 | 13 | 14.00 +0.25 +0.00 | 75.00 -0.030 -0.104 | 88.00 ±0.11 | 56.35 |
| MRTUB-80X95X11.4 | 80 | 95 | 11.4 | 12.50 +0.25 +0.00 | 80.00 -0.030 -0.104 | 95.00 ±0.11 | 76.21 |
| MRTUB-80X95X13 | 80 | 95 | 13 | 14.00 +0.25 +0.00 | 80.00 -0.030 -0.104 | 95.00 ±0.11 | 82.40 |
| MRTUB-85X100X11.8 | 85 | 100 | 11.8 | 13.00 +0.25 +0.00 | 85.00 -0.036 -0.123 | 100.00 ±0.11 | 67.78 |
| MRTUB-85X100X13 | 85 | 100 | 13 | 14.00 +0.25 +0.00 | 85.00 -0.036 -0.123 | 100.00 ±0.11 | 62.37 |
| MRTUB-90X105X11.4 | 90 | 105 | 11.4 | 12.50 +0.25 +0.00 | 90.00 -0.036 -0.123 | 105.00 ±0.11 | 83.44 |
| MRTUB-90X105X13 | 90 | 105 | 13 | 14.00 +0.25 +0.00 | 90.00 -0.036 -0.123 | 105.00 ±0.11 | 67.13 |
| MRTUB-95X110X13 | 95 | 110 | 13 | 14.00 +0.25 +0.00 | 95.00 -0.036 -0.123 | 110.00 ±0.11 | 68.59 |
| MRTUB-100X115X11 | 100 | 115 | 11 | 12.00 +0.25 +0.00 | 100.00 -0.036 -0.123 | 115.00 ±0.11 | 94.75 |
| MRTUB-100X115X13 | 100 | 115 | 13 | 14.00 +0.25 +0.00 | 100.00 -0.036 -0.123 | 115.00 ±0.11 | 70.39 |
| MRTUB-100X120X14.6 | 100 | 120 | 14.6 | 16.00 +0.25 +0.00 | 100.00 -0.036 -0.123 | 120.00 ±0.11 | 91.12 |
| MRTUB-110X130X13 | 110 | 130 | 13 | 14.00 +0.25 +0.00 | 110.00 -0.036 -0.123 | 130.00 ±0.125 | 74.81 |
| MRTUB-110X130X14.6 | 110 | 130 | 14.6 | 16.00 +0.25 +0.00 | 110.00 -0.036 -0.123 | 130.00 ±0.125 | 98.38 |

ROD U-SEALS



STYLE MRTUB SUPER-DUTY ROD U-SEALS

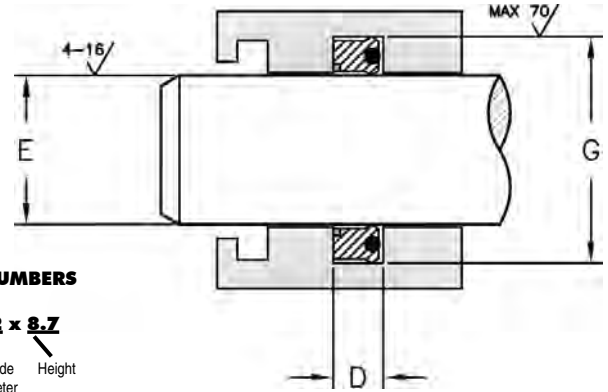
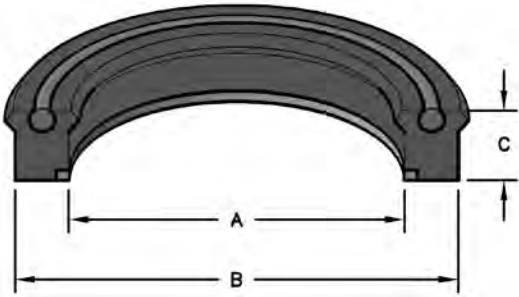
| Part Number | A Nom. ID | B Nom. OD | C Nom. Ht | D GROOVE WIDTH | E ROD DIAMETER | G HOUSING DIAMETER | List Price |
|--------------------|--------------|--------------|--------------|-------------------------|----------------------------|--------------------------|---------------|
| MRTUB-115X135X14.6 | 115 | 135 | 14.6 | 16.00 +0.25 +0.00 | 115.00 -0.036 -0.123 | 135.00 ±0.125 | 89.22 |
| MRTUB-120X135X14.6 | 120 | 135 | 14.6 | 16.00 +0.25 +0.00 | 120.00 -0.036 -0.123 | 135.00 ±0.125 | 105.94 |
| MRTUB-120X140X13 | 120 | 140 | 13 | 14.00 +0.25 +0.00 | 120.00 -0.036 -0.123 | 140.00 ±0.125 | 77.63 |
| MRTUB-120X140X14.6 | 120 | 140 | 14.6 | 16.00 +0.25 +0.00 | 120.00 -0.036 -0.123 | 140.00 ±0.125 | 95.52 |
| MRTUB-125X145X14.6 | 125 | 145 | 14.6 | 16.00 +0.25 +0.00 | 125.00 -0.043 -0.143 | 145.00 ±0.125 | 87.51 |
| MRTUB-130X150X14.6 | 130 | 150 | 14.6 | 16.00 +0.25 +0.00 | 130.00 -0.043 -0.143 | 150.00 ±0.125 | 97.52 |
| MRTUB-140X160X13 | 140 | 160 | 13 | 14.00 +0.25 +0.00 | 140.00 -0.043 -0.143 | 160.00 ±0.125 | 86.70 |
| MRTUB-140X160X14.6 | 140 | 160 | 14.6 | 16.00 +0.25 +0.00 | 140.00 -0.043 -0.143 | 160.00 ±0.125 | 119.84 |
| MRUBL-150X165X14.5 | 150 | 165 | 14.5 | 16.00 +0.25 +0.00 | 150.00 -0.043 -0.143 | 165.00 ±0.125 | 120.02 |
| MRTUB-150X170X14.6 | 150 | 170 | 14.6 | 16.00 +0.25 +0.00 | 150.00 -0.043 -0.143 | 170.00 ±0.125 | 121.12 |
| MRTUB-160X180X14.6 | 160 | 180 | 14.6 | 16.00 +0.25 +0.00 | 160.00 -0.043 -0.143 | 180.00 ±0.125 | 128.02 |
| MRTUB-180X200X14.6 | 180 | 200 | 14.6 | 16.00 +0.25 +0.00 | 180.00 -0.043 -0.143 | 200.00 ±0.145 | 144.02 |

ROD U-SEALS

NEW FOR 2016

STYLE MRUBL ROD U-SEALS

Designed for longwall mining applications, the MRUBL style consists of a urethane seal, nitrile o-ring energizer, and polyacetal anti-extrusion ring. The energizer ensures sealing under low pressure and cushions the seal against shock loads. The anti-extrusion ring resists extrusion under side load and extreme pressure peaks. Sealing materials are suitable for mineral oils and HFA (High Water Content) fluids.



HERCULES PART NUMBERS

MRUBL - 40 x 52 x 8.7
 Type of Seal Inside Diameter Outside Diameter Height

| SEAL INFORMATION | | | | | |
|------------------------------|---|-----------|--|-----------|------------|
| MATERIAL | 94A URETHANE SEAL RUBBER ENERGIZER POLYACETAL ANTI-EXTRUSION RING | | | | |
| MAXIMUM OPERATING CONDITIONS | | | | | |
| MAXIMUM SPEED | PRESSURE RANGE | | TEMPERATURE RANGE | | |
| 3 ft/sec | 0 - 6,000 psi | | -50° to +230° F / +32 to +140° F (HFA) | | |
| MAXIMUM EXTRUSION GAP | | | | | |
| PRESSURE | 2,400 psi | 3,750 psi | 6,000 psi | 7,500 psi | 10,000 psi |
| MAX. DIAM. GAP | .040" | .032" | .024" | .016" | .010" |

| Part Number | A Nom. ID | B Nom. OD | C Nom. Ht | D GROOVE WIDTH | E ROD DIAMETER | G HOUSING DIAMETER | List Price |
|--------------------|-----------|-----------|-----------|---|--|--------------------|------------|
| MRUBL-40X52X8.7 | 40 | 52 | 8.7 | 9.60 ^{+0.25} / _{+0.00} | 40.00 ^{-0.025} / _{-0.087} | 52.00 ±0.095 | \$41.56 |
| MRUBL-63X75X8.6 | 63 | 75 | 8.6 | 9.60 ^{+0.25} / _{+0.00} | 63.00 ^{-0.030} / _{-0.104} | 75.00 ±0.095 | 57.61 |
| MRUBL-70X86X11 | 70 | 86 | 11 | 12.00 ^{+0.25} / _{+0.00} | 70.00 ^{-0.030} / _{-0.104} | 86.00 ±0.11 | 119.61 |
| MRUBL-100X115X14.5 | 100 | 115 | 14.5 | 16.00 ^{+0.25} / _{+0.00} | 100.00 ^{-0.036} / _{-0.123} | 115.00 ±0.11 | 105.71 |
| MRUBL-105X120X11.8 | 105 | 120 | 11.8 | 13.00 ^{+0.25} / _{+0.00} | 105.00 ^{-0.036} / _{-0.123} | 120.00 ±0.11 | 106.35 |
| MRUBL-110X125X14.5 | 110 | 125 | 14.5 | 16.00 ^{+0.25} / _{+0.00} | 110.00 ^{-0.036} / _{-0.123} | 125.00 ±0.125 | 76.67 |
| MRUBL-110X125X14.7 | 110 | 125 | 14.7 | 16.25 ^{+0.25} / _{+0.00} | 110.00 ^{-0.036} / _{-0.123} | 125.00 ±0.125 | 144.22 |
| MRUBL-115X130X14.5 | 115 | 130 | 14.5 | 16.00 ^{+0.25} / _{+0.00} | 115.00 ^{-0.036} / _{-0.123} | 130.00 ±0.125 | 78.56 |
| MRUBL-120X135X12.5 | 120 | 135 | 12.5 | 14.00 ^{+0.25} / _{+0.00} | 120.00 ^{-0.036} / _{-0.123} | 135.00 ±0.125 | 149.56 |
| MRUBL-170X195X20 | 170 | 195 | 20 | 22.00 ^{+0.25} / _{+0.00} | 170.00 ^{-0.043} / _{-0.143} | 195.00 ±0.145 | 277.83 |

ROD U-SEALS



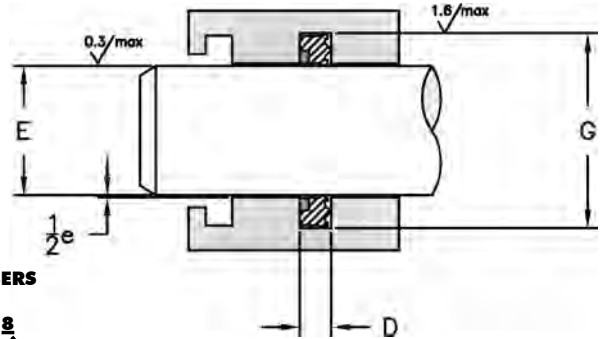
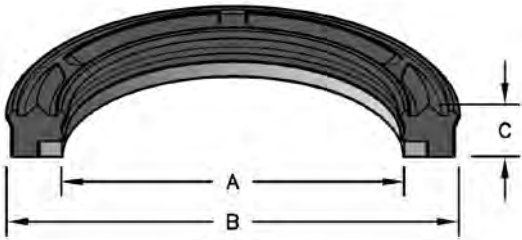
STYLE MRUBL ROD U-SEALS

| Part Number | A Nom. ID | B Nom. OD | C Nom. Ht | D GROOVE WIDTH | E ROD DIAMETER | G HOUSING DIAMETER | List Price |
|--------------------|--------------|--------------|--------------|---|--|--------------------------|---------------|
| MRUBL-180X195X14.5 | 180 | 195 | 14.5 | 16.00 ^{+0.25} / _{+0.00} | 180.00 ^{-0.043} / _{-0.143} | 195.00 ±0.145 | 125.00 |
| MRUBL-190X210X16.4 | 190 | 210 | 16.4 | 18.00 ^{+0.25} / _{+0.00} | 190.00 ^{-0.050} / _{-0.165} | 210.00 ±0.145 | 185.22 |
| MRUBL-200X220X14.5 | 200 | 220 | 14.5 | 16.00 ^{+0.25} / _{+0.00} | 200.00 ^{-0.050} / _{-0.165} | 220.00 ±0.145 | 144.83 |
| MRUBL-210X230X16.4 | 210 | 230 | 16.4 | 18.00 ^{+0.25} / _{+0.00} | 210.00 ^{-0.050} / _{-0.165} | 230.00 ±0.145 | 275.83 |
| MRUBL-230X250X16.4 | 230 | 250 | 16.4 | 18.00 ^{+0.25} / _{+0.00} | 230.00 ^{-0.050} / _{-0.165} | 250.00 ±0.145 | 277.17 |
| MRUBL-250X270X14.5 | 250 | 270 | 14.5 | 16.00 ^{+0.25} / _{+0.00} | 250.00 ^{-0.050} / _{-0.165} | 270.00 ±0.16 | 204.89 |
| MRUBL-260X280X16.4 | 260 | 280 | 16.4 | 18.00 ^{+0.25} / _{+0.00} | 260.00 ^{-0.056} / _{-0.186} | 280.00 ±0.16 | 210.50 |
| MRUBL-265X285X14.5 | 265 | 285 | 14.5 | 16.00 ^{+0.25} / _{+0.00} | 265.00 ^{-0.056} / _{-0.186} | 285.00 ±0.16 | 213.89 |
| MRUBL-265X285X16.4 | 265 | 285 | 16.4 | 18.00 ^{+0.25} / _{+0.00} | 265.00 ^{-0.056} / _{-0.186} | 285.00 ±0.16 | 248.50 |
| MRUBL-285X310X18 | 285 | 310 | 18 | 20.00 ^{+0.25} / _{+0.00} | 285.00 ^{-0.056} / _{-0.186} | 310.00 ±0.16 | 239.89 |
| MRUBL-300X320X16.4 | 300 | 320 | 16.4 | 18.00 ^{+0.25} / _{+0.00} | 300.00 ^{-0.056} / _{-0.186} | 320.00 ±0.18 | 417.39 |
| MRUBL-350X370X16.4 | 350 | 370 | 16.4 | 18.00 ^{+0.25} / _{+0.00} | 350.00 ^{-0.062} / _{-0.202} | 370.00 ±0.18 | 426.72 |
| MRUBL-370X395X18 | 370 | 395 | 18 | 20.00 ^{+0.25} / _{+0.00} | 370.00 ^{-0.062} / _{-0.202} | 395.00 ±0.18 | 421.00 |
| MRUBL-380X405X18 | 380 | 405 | 18 | 20.00 ^{+0.25} / _{+0.00} | 380.00 ^{-0.062} / _{-0.202} | 405.00 ±0.20 | 456.00 |

ROD U-SEALS

STYLE MRT320 ROD U-SEALS

Compact seal with integrated back-up ring, additional support edge and sealing edge.



HERCULES PART NUMBERS

MRT320 - 45 x 55 x 8
 Type of Seal Inside Diameter Outside Diameter Height

| SEAL INFORMATION | | | | | |
|------------------------------|----------------|-----------|-------------------|-----------|--|
| MATERIAL | 94A URETHANE | | | | |
| MAXIMUM OPERATING CONDITIONS | | | | | |
| MAXIMUM SPEED | PRESSURE RANGE | | TEMPERATURE RANGE | | |
| 1.65 ft/sec | 7,250 psi | | -34° to +255° F | | |
| MAXIMUM EXTRUSION GAP | | | | | |
| PRESSURE | 3,770 psi | 4,640 psi | 5,800 psi | 7,250 psi | |
| MAX. DIAM. GAP | .024" | .022" | .018" | .014" | |

| Part Number | A Nom. ID | B Nom. OD | C Nom. Ht | D GROOVE WIDTH | E ROD DIAMETER | G HOUSING DIAMETER | List Price |
|-------------------|--------------|--------------|--------------|----------------------|------------------------|--------------------------|---------------|
| MRT320-40X50X8 | 40 | 50 | 8 | 8.00 +0.20 +0.00 | 40.00 -0.025 -0.064 | 50.00 +0.16 +0.00 | \$21.13 |
| MRT320-45X55X8 | 45 | 55 | 8 | 8.00 +0.20 +0.00 | 45.00 -0.025 -0.064 | 55.00 +0.19 +0.00 | 21.34 |
| MRT320-50X65X12.5 | 50 | 65 | 12.5 | 12.50 +0.20 +0.00 | 50.00 -0.025 -0.064 | 65.00 +0.19 +0.00 | 24.57 |
| MRT320-56X71X12.5 | 56 | 71 | 12.5 | 12.50 +0.20 +0.00 | 56.00 -0.030 -0.076 | 71.00 +0.19 +0.00 | 27.29 |
| MRT320-63X78X12.5 | 63 | 78 | 12.5 | 12.50 +0.20 +0.00 | 63.00 -0.030 -0.076 | 78.00 +0.19 +0.00 | 28.12 |
| MRT320-70X85X12.5 | 70 | 85 | 12.5 | 12.50 +0.20 +0.00 | 70.00 -0.030 -0.076 | 85.00 +0.22 +0.00 | 33.74 |
| MRT320-75X90X13 | 75 | 90 | 13 | 13.00 +0.20 +0.00 | 75.00 -0.030 -0.076 | 90.00 +0.22 +0.00 | 35.85 |
| MRT320-80X95X12.5 | 80 | 95 | 12.5 | 12.50 +0.20 +0.00 | 80.00 -0.030 -0.076 | 95.00 +0.22 +0.00 | 38.67 |
| MRT320-85X100X13 | 85 | 100 | 13 | 13.00 +0.20 +0.00 | 85.00 -0.036 -0.090 | 100.00 +0.22 +0.00 | 42.42 |
| MRT320-95X110X13 | 95 | 110 | 13 | 13.00 +0.20 +0.00 | 95.00 -0.036 -0.090 | 110.00 +0.22 +0.00 | 49.92 |

FORMERLY LISTED SEALS ARE AVAILABLE ONLINE AT WWW.HERCULESUS.COM
 OR BY CONTACTING YOUR REGIONAL HERCULES SALES TEAM.



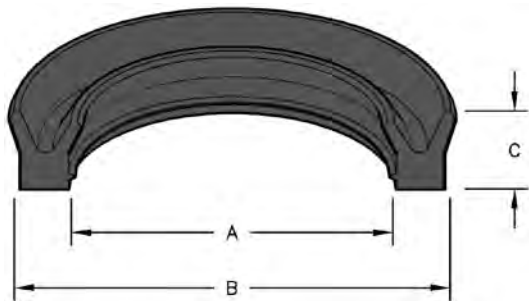
STYLE MRT320 ROD U-SEALS

| Part Number | A Nom. ID | B Nom. OD | C Nom. Ht | D GROOVE WIDTH | E ROD DIAMETER | G HOUSING DIAMETER | List Price |
|-------------------|--------------|--------------|--------------|---|--|--|---------------|
| MRT320-100X120X16 | 100 | 120 | 16 | 16.00 ^{+0.20} / _{+0.00} | 100.00 ^{-0.036} / _{-0.090} | 120.00 ^{+0.22} / _{+0.00} | 56.72 |
| MRT320-110X130X16 | 110 | 130 | 16 | 16.00 ^{+0.20} / _{+0.00} | 110.00 ^{-0.036} / _{-0.090} | 130.00 ^{+0.25} / _{+0.00} | 67.50 |
| MRT320-125X145X16 | 125 | 145 | 16 | 16.00 ^{+0.20} / _{+0.00} | 125.00 ^{-0.043} / _{-0.106} | 145.00 ^{+0.25} / _{+0.00} | 78.98 |
| MRT320-140X160X16 | 140 | 160 | 16 | 16.00 ^{+0.20} / _{+0.00} | 140.00 ^{-0.043} / _{-0.106} | 160.00 ^{+0.25} / _{+0.00} | 103.73 |

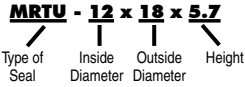
ROD U-SEALS

STYLE MRTU ROD U-SEALS

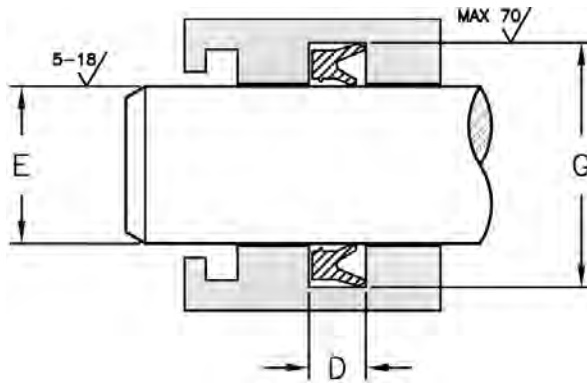
Molded in a tough urethane, this seal employs an additional lip near the heel. The twin lip design provides stability, friction-reducing lube retention, and some contaminant resistance. VME - Secondary lip is further from heel than standard MRTU. **NOTE:** E = European Urethane.



HERCULES PART NUMBERS



| SEAL INFORMATION | |
|-------------------|---------------------------------------|
| MATERIAL | URETHANE |
| TEMPERATURE RANGE | -40° TO +225° F E: -22° TO +212° F |
| PRESSURE RANGE | 0 TO 5,000 PSI |
| SPEED | 3 FT/SEC |



| Part Number | A Nom. ID | B Nom. OD | C Nom. Ht | D GROOVE WIDTH | E ROD DIAMETER | G HOUSING DIAMETER | List Price |
|----------------|--------------|--------------|--------------|--|---|--------------------------|---------------|
| MRTU-12X18X5.7 | 12 | 18 | 5.7 | 6.30 ^{+0.25} / _{+0.00} | 12.00 ^{-0.016} / _{-0.059} | 18.00 ±0.055 | \$9.39 |
| MRTU-12X20X5.7 | 12 | 20 | 5.7 | 6.30 ^{+0.25} / _{+0.00} | 12.00 ^{-0.016} / _{-0.059} | 20.00 ±0.065 | 9.48 |
| MRTU-14X22X5.7 | 14 | 22 | 5.7 | 6.30 ^{+0.25} / _{+0.00} | 14.00 ^{-0.016} / _{-0.059} | 22.00 ±0.065 | 7.54 |
| MRTU-15X22X5.7 | 15 | 22 | 5.7 | 6.30 ^{+0.25} / _{+0.00} | 15.00 ^{-0.016} / _{-0.059} | 22.00 ±0.065 | 9.47 |
| MRTU-16X22X5 | 16 | 22 | 5 | 6.00 ^{+0.25} / _{+0.00} | 16.00 ^{-0.016} / _{-0.059} | 22.00 ±0.065 | 10.60 |
| MRTU-16X24X5 | 16 | 24 | 5 | 5.50 ^{+0.25} / _{+0.00} | 16.00 ^{-0.016} / _{-0.059} | 24.00 ±0.065 | 12.52 |
| MRTU-16X24X5.7 | 16 | 24 | 5.8 | 6.30 ^{+0.25} / _{+0.00} | 16.00 ^{-0.016} / _{-0.059} | 24.00 ±0.065 | 11.54 |
| MRTU-16X26X7.7 | 16 | 26 | 7.7 | 9.00 ^{+0.25} / _{+0.00} | 16.00 ^{-0.016} / _{-0.059} | 26.00 ±0.065 | 10.16 |
| MRTU-18X24X4.5 | 18 | 24 | 4.5 | 5.00 ^{+0.25} / _{+0.00} | 18.00 ^{-0.016} / _{-0.059} | 24.00 ±0.065 | 10.41 |
| MRTU-18X25X5 | 18 | 25 | 5 | 6.00 ^{+0.25} / _{+0.00} | 18.00 ^{-0.016} / _{-0.059} | 25.00 ±0.065 | 10.67 |
| MRTU-18X26X5 | 18 | 26 | 5 | 5.70 ^{+0.25} / _{+0.00} | 18.00 ^{-0.016} / _{-0.059} | 26.00 ±0.065 | 8.03 |
| MRTU-18X26X5.7 | 18 | 26 | 5.7 | 6.30 ^{+0.25} / _{+0.00} | 18.00 ^{-0.016} / _{-0.059} | 26.00 ±0.065 | 8.26 |
| MRTU-18X26X6 | 18 | 26 | 6 | 7.00 ^{+0.25} / _{+0.00} | 18.00 ^{-0.016} / _{-0.059} | 26.00 ±0.065 | 11.87 |
| MRTU-18X28X7.7 | 18 | 28 | 7.7 | 9.00 ^{+0.25} / _{+0.00} | 18.00 ^{-0.016} / _{-0.059} | 28.00 ±0.065 | 10.17 |

FORMERLY LISTED SEALS ARE AVAILABLE ONLINE AT WWW.HERCULESUS.COM
 OR BY CONTACTING YOUR REGIONAL HERCULES SALES TEAM.

ROD U-SEALS



STYLE MRTU ROD U-SEALS

ROD U-SEALS

| Part Number | A Nom. ID | B Nom. OD | C Nom. Ht | D GROOVE WIDTH | E ROD DIAMETER | G HOUSING DIAMETER | List Price |
|------------------|--------------|--------------|--------------|---|---|---|---------------|
| MRTU-20X26X5 | 20 | 26 | 5 | 5.50 ^{+0.25} / _{+0.00} | 20.00 ^{-0.020} / _{-0.072} | 26.00 ±0.065 | 8.46 |
| MRTU-20X28X5 | 20 | 28 | 5 | 5.70 ^{+0.25} / _{+0.00} | 20.00 ^{-0.020} / _{-0.072} | 28.00 ±0.065 | 8.50 |
| MRTU-20X28X5.7 | 20 | 28 | 5.7 | 6.30 ^{+0.25} / _{+0.00} | 20.00 ^{-0.020} / _{-0.072} | 28.00 ±0.065 | 9.66 |
| MRTU-20X30X6 | 20 | 30 | 6 | 7.00 ^{+0.25} / _{+0.00} | 20.00 ^{-0.020} / _{-0.072} | 30.00 ±0.065 | 8.50 |
| MRTU-20X30X7.7 | 20 | 30 | 7.7 | 9.00 ^{+0.25} / _{+0.00} | 20.00 ^{-0.020} / _{-0.072} | 30.00 ±0.065 | 10.14 |
| MRTU-20X30X10 | 20 | 30 | 10 | 11.00 ^{+0.25} / _{+0.00} | 20.00 ^{-0.020} / _{-0.072} | 30.00 ±0.065 | 9.71 |
| MRTU-22X30X5.7 | 22 | 30 | 5.7 | 6.30 ^{+0.25} / _{+0.00} | 22.00 ^{-0.020} / _{-0.072} | 30.00 ±0.065 | 9.28 |
| MRTU-22X30X7.3 | 22 | 30 | 7.3 | 8.00 ^{+0.25} / _{+0.00} | 22.00 ^{-0.020} / _{-0.072} | 30.00 ±0.065 | 8.50 |
| MRTU-22X32X7.3 | 22 | 32 | 7.3 | 8.00 ^{+0.25} / _{+0.00} | 22.00 ^{-0.020} / _{-0.072} | 32.00 ±0.08 | 9.66 |
| MRTU-22X32X10 | 22 | 32 | 10 | 11.00 ^{+0.25} / _{+0.00} | 22.00 ^{-0.020} / _{-0.072} | 32.00 ±0.08 | 9.43 |
| MRTU-25X33X4.9 | 25 | 33 | 4.9 | 5.50 ^{+0.20} / _{+0.00} | 25.00 ^{+0.000} / _{-0.052} | 33.00 ^{+0.10} / _{+0.00} | 9.20 |
| MRTU-25X33X5 | 25 | 33 | 5 | 5.70 ^{+0.25} / _{+0.00} | 25.00 ^{-0.020} / _{-0.072} | 33.00 ±0.08 | 8.47 |
| MRTU-25X33X5.7 | 25 | 33 | 5.7 | 6.30 ^{+0.25} / _{+0.00} | 25.00 ^{-0.020} / _{-0.072} | 33.00 ±0.08 | 9.28 |
| MRTU-25X33X6.8 | 25 | 33 | 6.8 | 7.50 ^{+0.25} / _{+0.00} | 25.00 ^{-0.020} / _{-0.072} | 33.00 ±0.08 | 11.14 |
| MRTU-25X35X7.3 | 25 | 35 | 7.3 | 8.00 ^{+0.25} / _{+0.00} | 25.00 ^{-0.020} / _{-0.072} | 35.00 ±0.08 | 8.50 |
| MRTU-25X35X7.7 | 25 | 35 | 7.7 | 9.00 ^{+0.25} / _{+0.00} | 25.00 ^{-0.020} / _{-0.072} | 35.00 ±0.08 | 10.20 |
| MRTU-25X35X8 | 25 | 35 | 8 | 9.00 ^{+0.20} / _{+0.00} | 25.00 ^{-0.020} / _{-0.053} | 35.00 ^{+0.16} / _{+0.00} | 14.32 |
| MRTU-25X35X10 | 25 | 35 | 10 | 11.00 ^{+0.25} / _{+0.00} | 25.00 ^{-0.020} / _{-0.072} | 35.00 ±0.08 | 10.20 |
| MRTU-25X40X10 | 25 | 40 | 10 | 11.00 ^{+0.25} / _{+0.00} | 25.00 ^{-0.020} / _{-0.072} | 40.00 ±0.08 | 10.20 |
| MRTU-28X36X5.7 | 28 | 36 | 5.7 | 6.30 ^{+0.25} / _{+0.00} | 28.00 ^{-0.020} / _{-0.072} | 36.00 ±0.08 | 10.20 |
| MRTU-28X38X7.3 | 28 | 38 | 7.3 | 8.00 ^{+0.25} / _{+0.00} | 28.00 ^{-0.020} / _{-0.072} | 38.00 ±0.08 | 10.20 |
| MRTU-28X43X11.4 | 28 | 43 | 11.4 | 12.50 ^{+0.25} / _{+0.00} | 28.00 ^{-0.020} / _{-0.072} | 43.00 ±0.08 | 10.20 |
| MRTU-30X38X5.7 | 30 | 38 | 5.7 | 6.30 ^{+0.25} / _{+0.00} | 30.00 ^{-0.020} / _{-0.072} | 38.00 ±0.08 | 10.22 |
| MRTU-30X38X6.3 | 30 | 38 | 6.3 | 7.00 ^{+0.25} / _{+0.00} | 30.00 ^{-0.020} / _{-0.072} | 38.00 ±0.08 | 10.20 |
| MRTU-30X40X6 | 30 | 40 | 6 | 7.00 ^{+0.25} / _{+0.00} | 30.00 ^{-0.020} / _{-0.072} | 40.00 ±0.08 | 10.23 |
| MRTU-30X40X6.5-E | 30 | 40 | 6.5 | 7.50 ^{+0.20} / _{+0.00} | 30.00 ^{-0.020} / _{-0.053} | 40.00 ±0.05 | 10.55 |
| MRTU-30X40X7 | 30 | 40 | 7 | 7.70 ^{+0.25} / _{+0.00} | 30.00 ^{-0.020} / _{-0.072} | 40.00 ±0.08 | 8.65 |
| MRTU-30X40X10 | 30 | 40 | 10 | 11.00 ^{+0.25} / _{+0.00} | 30.00 ^{-0.020} / _{-0.072} | 40.00 ±0.08 | 10.60 |
| MRTU-30X42X10.9 | 30 | 42 | 10.9 | 12.00 ^{+0.25} / _{+0.00} | 30.00 ^{-0.020} / _{-0.072} | 42.00 ±0.08 | 10.84 |
| MRTU-30X45X10 | 30 | 45 | 10 | 11.00 ^{+0.20} / _{+0.00} | 30.00 ^{-0.020} / _{-0.053} | 45.00 ^{+0.16} / _{+0.00} | 11.07 |
| MRTU-30X50X10 | 30 | 50 | 10 | 11.00 ^{+0.25} / _{+0.00} | 30.00 ^{-0.020} / _{-0.072} | 50.00 ±0.08 | 12.26 |
| MRTU-32X40X6 | 32 | 40 | 6 | 7.00 ^{+0.25} / _{+0.00} | 32.00 ^{-0.025} / _{-0.087} | 40.00 ±0.08 | 8.84 |
| MRTU-32X40X6.7 | 32 | 40 | 6.7 | 7.70 ^{+0.25} / _{+0.00} | 32.00 ^{-0.025} / _{-0.087} | 40.00 ±0.08 | 10.96 |



STYLE MRTU ROD U-SEALS

| Part Number | A Nom. ID | B Nom. OD | C Nom. Ht | D GROOVE WIDTH | E ROD DIAMETER | G HOUSING DIAMETER | List Price |
|------------------|--------------|--------------|--------------|---|---|---|---------------|
| MRTU-32X40X7.7 | 32 | 40 | 7.7 | 9.00 ^{+0.25} / _{+0.00} | 32.00 ^{-0.025} / _{-0.087} | 40.00 ±0.08 | 10.23 |
| MRTU-32X42X5.7 | 32 | 42 | 5.7 | 6.30 ^{+0.25} / _{+0.00} | 32.00 ^{-0.025} / _{-0.087} | 42.00 ±0.08 | 9.66 |
| MRTU-32X42X6 | 32 | 42 | 6 | 7.00 ^{+0.25} / _{+0.00} | 32.00 ^{-0.025} / _{-0.087} | 42.00 ±0.08 | 10.37 |
| MRTU-32X42X7.3 | 32 | 42 | 7.3 | 8.00 ^{+0.25} / _{+0.00} | 32.00 ^{-0.025} / _{-0.087} | 42.00 ±0.08 | 11.28 |
| MRTU-32X42X10 | 32 | 42 | 10 | 11.00 ^{+0.25} / _{+0.00} | 32.00 ^{-0.025} / _{-0.087} | 42.00 ±0.08 | 11.28 |
| MRTU-32X47X9.1 | 32 | 47 | 9.1 | 10.00 ^{+0.25} / _{+0.00} | 32.00 ^{-0.025} / _{-0.087} | 47.00 ±0.08 | 11.69 |
| MRTU-32X47X10 | 32 | 47 | 10 | 11.00 ^{+0.25} / _{+0.00} | 32.00 ^{-0.025} / _{-0.087} | 47.00 ±0.08 | 11.69 |
| MRTU-32X48X10 | 32 | 48 | 10 | 11.00 ^{+0.25} / _{+0.00} | 32.00 ^{-0.025} / _{-0.087} | 48.00 ±0.08 | 12.86 |
| MRTU-35X43X5.7 | 35 | 43 | 5.7 | 6.30 ^{+0.25} / _{+0.00} | 35.00 ^{-0.025} / _{-0.087} | 43.00 ±0.08 | 10.64 |
| MRTU-35X43X6.3 | 35 | 43 | 6.3 | 7.00 ^{+0.25} / _{+0.00} | 35.00 ^{-0.025} / _{-0.087} | 43.00 ±0.08 | 10.20 |
| MRTU-35X43X8.2 | 35 | 43 | 8.2 | 9.00 ^{+0.25} / _{+0.00} | 35.00 ^{-0.025} / _{-0.087} | 43.00 ±0.08 | 10.20 |
| MRTU-35X45X6 | 35 | 45 | 6 | 7.00 ^{+0.25} / _{+0.00} | 35.00 ^{-0.025} / _{-0.087} | 45.00 ±0.08 | 11.07 |
| MRTU-35X45X6-E | 35 | 45 | 6 | 7.00 ^{+0.20} / _{+0.00} | 35.00 ^{-0.025} / _{-0.064} | 45.00 ±0.05 | 13.43 |
| MRTU-35X45X7 | 35 | 45 | 7 | 8.00 ^{+0.25} / _{+0.00} | 35.00 ^{-0.025} / _{-0.087} | 45.00 ±0.08 | 10.73 |
| MRTU-35X45X7.7 | 35 | 45 | 7.7 | 9.00 ^{+0.25} / _{+0.00} | 35.00 ^{-0.025} / _{-0.087} | 45.00 ±0.08 | 11.02 |
| MRTU-35X45X10 | 35 | 45 | 10 | 11.00 ^{+0.25} / _{+0.00} | 35.00 ^{-0.025} / _{-0.087} | 45.00 ±0.08 | 10.20 |
| MRTU-35X50X9 | 35 | 50 | 9 | 10.00 ^{+0.25} / _{+0.00} | 35.00 ^{-0.025} / _{-0.087} | 50.00 ±0.08 | 12.41 |
| MRTU-35X50X10 | 35 | 50 | 10 | 11.00 ^{+0.25} / _{+0.00} | 35.00 ^{-0.025} / _{-0.087} | 50.00 ±0.08 | 12.08 |
| MRTU-36X44X6.4 | 36 | 44 | 6.4 | 7.50 ^{+0.25} / _{+0.00} | 36.00 ^{-0.025} / _{-0.087} | 44.00 ±0.08 | 9.66 |
| MRTU-36X44X8 | 36 | 44 | 8.2 | 9.00 ^{+0.25} / _{+0.00} | 36.00 ^{-0.025} / _{-0.087} | 44.00 ±0.08 | 10.35 |
| MRTU-36X46X7 | 36 | 46 | 7.3 | 8.00 ^{+0.25} / _{+0.00} | 36.00 ^{-0.025} / _{-0.087} | 46.00 ±0.08 | 10.12 |
| MRTU-36X46X10 | 36 | 46 | 10 | 11.00 ^{+0.25} / _{+0.00} | 36.00 ^{-0.025} / _{-0.087} | 46.00 ±0.08 | 11.28 |
| MRTU-38X48X8 | 38 | 48 | 8 | 9.00 ^{+0.25} / _{+0.00} | 38.00 ^{-0.025} / _{-0.087} | 48.00 ±0.08 | 5.51 |
| MRTU-38X48X10 | 38 | 48 | 10 | 11.00 ^{+0.25} / _{+0.00} | 38.00 ^{-0.025} / _{-0.087} | 48.00 ±0.08 | 13.60 |
| MRTU-38X50X10 | 38 | 50 | 10 | 11.00 ^{+0.25} / _{+0.00} | 38.00 ^{-0.025} / _{-0.087} | 50.00 ±0.08 | 8.23 |
| MRTU-40X48X5.8-E | 40 | 48 | 5.8 | 6.30 ^{+0.20} / _{+0.00} | 40.00 ^{-0.025} / _{-0.064} | 48.00 ±0.05 | 14.24 |
| MRTU-40X48X8.2 | 40 | 48 | 8.2 | 9.00 ^{+0.25} / _{+0.00} | 40.00 ^{-0.025} / _{-0.087} | 48.00 ±0.08 | 11.28 |
| MRTU-40X50X6 | 40 | 50 | 6 | 7.00 ^{+0.25} / _{+0.00} | 40.00 ^{-0.025} / _{-0.087} | 50.00 ±0.08 | 10.95 |
| MRTU-40X50X7 | 40 | 50 | 7.3 | 8.00 ^{+0.25} / _{+0.00} | 40.00 ^{-0.025} / _{-0.087} | 50.00 ±0.08 | 14.02 |
| MRTU-40X50X8 | 40 | 50 | 8 | 9.00 ^{+0.25} / _{+0.00} | 40.00 ^{-0.025} / _{-0.064} | 50.00 ^{+0.062} / _{+0.000} | 19.91 |
| MRTU-40X50X10 | 40 | 50 | 10 | 11.00 ^{+0.25} / _{+0.00} | 40.00 ^{-0.025} / _{-0.087} | 50.00 ±0.08 | 15.91 |
| MRTU-40X52X10.9 | 40 | 52 | 10.9 | 12.00 ^{+0.25} / _{+0.00} | 40.00 ^{-0.025} / _{-0.087} | 52.00 ±0.095 | 11.16 |
| MRTU-40X55X9 | 40 | 55 | 9 | 10.00 ^{+0.25} / _{+0.00} | 40.00 ^{-0.025} / _{-0.087} | 55.00 ±0.095 | 11.03 |

ROD U-SEALS



STYLE MRTU ROD U-SEALS

ROD U-SEALS

| Part Number | A Nom. ID | B Nom. OD | C Nom. Ht | D GROOVE WIDTH | E ROD DIAMETER | G HOUSING DIAMETER | List Price |
|--------------------|--------------|--------------|--------------|---|---|---|---------------|
| MRTU-40X55X10 | 40 | 55 | 10 | 11.00 ^{+0.25} / _{+0.00} | 40.00 ^{-0.025} / _{-0.087} | 55.00 ±0.095 | 13.75 |
| MRTU-42X50X5.7 | 42 | 50 | 5.7 | 6.30 ^{+0.25} / _{+0.00} | 42.00 ^{-0.025} / _{-0.087} | 50.00 ±0.08 | 10.66 |
| MRTU-42X50X7.5 | 42 | 50 | 7.5 | 8.00 ^{+0.25} / _{+0.00} | 42.00 ^{-0.025} / _{-0.087} | 50.00 ±0.08 | 10.01 |
| MRTU-42X52X10 | 42 | 52 | 10 | 11.00 ^{+0.25} / _{+0.00} | 42.00 ^{-0.025} / _{-0.087} | 52.00 ±0.095 | 10.37 |
| MRTU-45X53X8.1 | 45 | 53 | 8.1 | 9.00 ^{+0.25} / _{+0.00} | 45.00 ^{-0.025} / _{-0.087} | 53.00 ±0.095 | 11.28 |
| MRTU-45X53X11.8 | 45 | 53 | 11.8 | 13.00 ^{+0.25} / _{+0.00} | 45.00 ^{-0.025} / _{-0.087} | 53.00 ±0.095 | 10.85 |
| MRTU-45X55X6 | 45 | 55 | 6 | 7.00 ^{+0.25} / _{+0.00} | 45.00 ^{-0.025} / _{-0.087} | 55.00 ±0.095 | 11.32 |
| MRTU-45X55X7-E | 45 | 55 | 7 | 8.00 ^{+0.25} / _{+0.00} | 45.00 ^{-0.025} / _{-0.087} | 55.00 ±0.095 | 10.35 |
| MRTU-45X55X7.3 | 45 | 55 | 7.3 | 8.00 ^{+0.25} / _{+0.00} | 45.00 ^{-0.025} / _{-0.087} | 55.00 ±0.095 | 11.28 |
| MRTU-45X55X10 | 45 | 55 | 10 | 11.00 ^{+0.25} / _{+0.00} | 45.00 ^{-0.025} / _{-0.087} | 55.00 ±0.095 | 15.75 |
| MRTU-45X60X10 | 45 | 60 | 10 | 11.00 ^{+0.25} / _{+0.00} | 45.00 ^{-0.025} / _{-0.087} | 60.00 ±0.095 | 12.51 |
| MRTU-45X65X10 | 45 | 65 | 10 | 11.00 ^{+0.25} / _{+0.00} | 45.00 ^{-0.025} / _{-0.087} | 65.00 ±0.095 | 21.36 |
| MRTU-48X56X12-E | 48 | 56 | 12 | 13.00 ^{+0.20} / _{+0.00} | 48.00 ^{-0.025} / _{-0.064} | 56.00 ±0.06 | 15.02 |
| MRTU-48X60X10 | 48 | 60 | 10 | 11.00 ^{+0.25} / _{+0.00} | 48.00 ^{-0.025} / _{-0.087} | 60.00 ±0.095 | 11.10 |
| MRTU-50X59.58X5.8 | 50 | 59.6 | 5.8 | 8.85 ^{+0.38} / _{+0.00} | 50.00 ^{-0.02} / _{-0.09} | 59.58 ^{+0.05} / _{+0.00} | 11.27 |
| MRTU-50X60X6 | 50 | 60 | 6 | 7.00 ^{+0.25} / _{+0.00} | 50.00 ^{-0.025} / _{-0.087} | 60.00 ±0.095 | 11.70 |
| MRTU-50X60X7.3 | 50 | 60 | 7.3 | 8.00 ^{+0.25} / _{+0.00} | 50.00 ^{-0.025} / _{-0.087} | 60.00 ±0.095 | 14.96 |
| MRTU-50X60X10 | 50 | 60 | 10 | 11.00 ^{+0.25} / _{+0.00} | 50.00 ^{-0.025} / _{-0.087} | 60.00 ±0.095 | 16.70 |
| MRTU-50X60X11.8 | 50 | 60 | 11.8 | 13.00 ^{+0.25} / _{+0.00} | 50.00 ^{-0.025} / _{-0.087} | 60.00 ±0.095 | 12.08 |
| MRTU-50X63X10 | 50 | 63 | 10 | 11.00 ^{+0.25} / _{+0.00} | 50.00 ^{-0.025} / _{-0.087} | 63.00 ±0.095 | 12.68 |
| MRTU-50X65X9 | 50 | 65 | 9 | 10.00 ^{+0.25} / _{+0.00} | 50.00 ^{-0.025} / _{-0.087} | 65.00 ±0.095 | 11.32 |
| MRTU-50X65X9.5 | 50 | 65 | 9.5 | 10.50 ^{+0.25} / _{+0.00} | 50.00 ^{-0.025} / _{-0.087} | 65.00 ±0.095 | 15.31 |
| MRTU-50X65X10 | 50 | 65 | 10 | 11.00 ^{+0.25} / _{+0.00} | 50.00 ^{-0.025} / _{-0.087} | 65.00 ±0.095 | 12.80 |
| MRTU-50X65X11 | 50 | 65 | 10.9 | 12.00 ^{+0.25} / _{+0.00} | 50.00 ^{-0.025} / _{-0.087} | 65.00 ±0.095 | 18.72 |
| MRTU-50X65X14.5 | 50 | 65 | 14.5 | 16.00 ^{+0.25} / _{+0.00} | 50.00 ^{-0.025} / _{-0.087} | 65.00 ±0.095 | 12.18 |
| MRTU-50X70X12 | 50 | 70 | 12 | 13.00 ^{+0.25} / _{+0.00} | 50.00 ^{-0.025} / _{-0.087} | 70.00 ±0.095 | 15.17 |
| MRTU-55X65X6 | 55 | 65 | 6 | 7.00 ^{+0.25} / _{+0.00} | 55.00 ^{-0.030} / _{-0.104} | 65.00 ±0.095 | 12.05 |
| MRTU-55X65X8.2 | 55 | 65 | 8.2 | 9.00 ^{+0.25} / _{+0.00} | 55.00 ^{-0.030} / _{-0.104} | 65.00 ±0.095 | 12.49 |
| MRTU-55X65X10 | 55 | 65 | 10 | 11.00 ^{+0.25} / _{+0.00} | 55.00 ^{-0.030} / _{-0.104} | 65.00 ±0.095 | 12.08 |
| MRTU-55X65X11.8 | 55 | 65 | 11.8 | 13.00 ^{+0.25} / _{+0.00} | 55.00 ^{-0.030} / _{-0.104} | 65.00 ±0.095 | 11.10 |
| MRTU-55X68X10 | 55 | 68 | 10 | 11.00 ^{+0.25} / _{+0.00} | 55.00 ^{-0.030} / _{-0.104} | 68.00 ±0.095 | 12.92 |
| MRTU-55X70X9 | 55 | 70 | 9 | 10.00 ^{+0.25} / _{+0.00} | 55.00 ^{-0.030} / _{-0.104} | 70.00 ±0.095 | 12.92 |
| MRTU-55X70X11.4-HT | 55 | 70 | 11.4 | 12.50 ^{+0.25} / _{+0.00} | 55.00 ^{-0.030} / _{-0.104} | 70.00 ±0.095 | 12.59 |

NORTH AMERICA
PHONE 1-800-777-5617
FAX 1-800-759-6391

SALES OFFICE HOURS
8 A.M. TO 7:30 P.M. EASTERN TIME
www.HerculesUS.com

WORLDWIDE
PHONE 1-727-796-1300
FAX 1-727-797-8849



STYLE MRTU ROD U-SEALS

| Part Number | A Nom. ID | B Nom. OD | C Nom. Ht | D GROOVE WIDTH | E ROD DIAMETER | G HOUSING DIAMETER | List Price |
|-------------------|--------------|--------------|--------------|---|---|---|---------------|
| MRTU-55X70X11.8 | 55 | 70 | 11.8 | 13.00 ^{+0.25} / _{+0.00} | 55.00 ^{-0.030} / _{-0.104} | 70.00 ±0.095 | 15.71 |
| MRTU-55X75X12 | 55 | 75 | 12 | 13.00 ^{+0.25} / _{+0.00} | 55.00 ^{-0.030} / _{-0.104} | 75.00 ±0.095 | 17.09 |
| MRTU-56X66X10 | 56 | 66 | 10 | 11.00 ^{+0.25} / _{+0.00} | 56.00 ^{-0.030} / _{-0.104} | 66.00 ±0.095 | 17.34 |
| MRTU-56X71X10 | 56 | 71 | 10 | 11.00 ^{+0.25} / _{+0.00} | 56.00 ^{-0.030} / _{-0.104} | 71.00 ±0.095 | 14.93 |
| MRTU-56X71X11 | 56 | 71 | 11.4 | 12.50 ^{+0.25} / _{+0.00} | 56.00 ^{-0.030} / _{-0.104} | 71.00 ±0.095 | 20.09 |
| MRTU-60X68X11 | 60 | 68 | 11.4 | 12.50 ^{+0.25} / _{+0.00} | 60.00 ^{-0.030} / _{-0.104} | 68.00 ±0.095 | 17.75 |
| MRTU-60X70X6 | 60 | 70 | 6 | 7.00 ^{+0.25} / _{+0.00} | 60.00 ^{-0.030} / _{-0.104} | 70.00 ±0.095 | 18.55 |
| MRTU-60X70X7.3 | 60 | 70 | 7.3 | 8.00 ^{+0.25} / _{+0.00} | 60.00 ^{-0.030} / _{-0.104} | 70.00 ±0.095 | 11.10 |
| MRTU-60X70X10 | 60 | 70 | 10 | 11.00 ^{+0.25} / _{+0.00} | 60.00 ^{-0.030} / _{-0.104} | 70.00 ±0.095 | 19.36 |
| MRTU-60X70X11.8 | 60 | 70 | 11.8 | 13.00 ^{+0.25} / _{+0.00} | 60.00 ^{-0.030} / _{-0.104} | 70.00 ±0.095 | 14.10 |
| MRTU-60X71X7 | 60 | 71 | 7 | 8.00 ^{+0.25} / _{+0.00} | 60.00 ^{-0.030} / _{-0.104} | 71.00 ±0.095 | 14.95 |
| MRTU-60X72X10 | 60 | 72 | 10 | 11.00 ^{+0.25} / _{+0.00} | 60.00 ^{-0.030} / _{-0.104} | 72.00 ±0.095 | 14.10 |
| MRTU-60X73X10 | 60 | 73 | 10 | 11.00 ^{+0.25} / _{+0.00} | 60.00 ^{-0.030} / _{-0.104} | 73.00 ±0.095 | 18.88 |
| MRTU-60X75X9 | 60 | 75 | 9 | 10.00 ^{+0.25} / _{+0.00} | 60.00 ^{-0.030} / _{-0.104} | 75.00 ±0.095 | 12.92 |
| MRTU-60X75X10 | 60 | 75 | 10 | 11.00 ^{+0.25} / _{+0.00} | 60.00 ^{-0.030} / _{-0.104} | 75.00 ±0.095 | 20.34 |
| MRTU-60X75X11.8 | 60 | 75 | 11.8 | 13.00 ^{+0.25} / _{+0.00} | 60.00 ^{-0.030} / _{-0.104} | 75.00 ±0.095 | 21.67 |
| MRTU-60X76X10 | 60 | 76 | 10 | 11.00 ^{+0.25} / _{+0.00} | 60.00 ^{-0.030} / _{-0.104} | 76.00 ±0.095 | 19.49 |
| MRTU-60X80X12 | 60 | 80 | 12 | 13.00 ^{+0.25} / _{+0.00} | 60.00 ^{-0.030} / _{-0.104} | 80.00 ±0.095 | 24.69 |
| MRTU-63X73X6 | 63 | 73 | 6 | 7.00 ^{+0.25} / _{+0.00} | 63.00 ^{-0.030} / _{-0.104} | 73.00 ±0.095 | 20.20 |
| MRTU-63X73X12 | 63 | 73 | 11.8 | 13.00 ^{+0.25} / _{+0.00} | 63.00 ^{-0.030} / _{-0.104} | 73.00 ±0.095 | 19.55 |
| MRTU-63X78X10 | 63 | 78 | 10 | 11.00 ^{+0.25} / _{+0.00} | 63.00 ^{-0.030} / _{-0.104} | 78.00 ±0.095 | 15.71 |
| MRTU-63X78X11.4 | 63 | 78 | 11.4 | 12.50 ^{+0.25} / _{+0.00} | 63.00 ^{-0.030} / _{-0.104} | 78.00 ±0.095 | 22.75 |
| MRTU-63X83X12 | 63 | 83 | 12 | 13.00 ^{+0.20} / _{+0.00} | 63.00 ^{-0.030} / _{-0.076} | 83.00 ^{+0.22} / _{+0.00} | 23.56 |
| MRTU-65X75X7.7 | 65 | 75 | 7.7 | 9.00 ^{+0.25} / _{+0.00} | 65.00 ^{-0.030} / _{-0.104} | 75.00 ±0.095 | 11.82 |
| MRTU-65X75X11.8 | 65 | 75 | 11.8 | 13.00 ^{+0.25} / _{+0.00} | 65.00 ^{-0.030} / _{-0.104} | 75.00 ±0.095 | 13.72 |
| MRTU-65X77.75X8-E | 65 | 77.75 | 8 | 10.49 ^{+0.381} / _{+0.000} | 65.00 ^{-0.030} / _{-0.104} | 77.75 ^{+0.05} / _{+0.00} | 17.59 |
| MRTU-65X78X10 | 65 | 78 | 10 | 11.00 ^{+0.25} / _{+0.00} | 65.00 ^{-0.030} / _{-0.104} | 78.00 ±0.095 | 19.42 |
| MRTU-65X80X9 | 65 | 80 | 9 | 10.00 ^{+0.25} / _{+0.00} | 65.00 ^{-0.030} / _{-0.104} | 80.00 ±0.095 | 19.12 |
| MRTU-65X80X11.8 | 65 | 80 | 11.8 | 13.00 ^{+0.25} / _{+0.00} | 65.00 ^{-0.030} / _{-0.104} | 80.00 ±0.095 | 19.60 |
| MRTU-65X85X12 | 65 | 85 | 12 | 13.00 ^{+0.25} / _{+0.00} | 65.00 ^{-0.030} / _{-0.104} | 85.00 ±0.11 | 22.11 |
| MRTU-68X78X12 | 68 | 78 | 12 | 13.00 ^{+0.20} / _{+0.00} | 68.00 ^{-0.030} / _{-0.076} | 78.00 ^{+0.19} / _{+0.00} | ***** |
| MRTU-70X80X6 | 70 | 80 | 6 | 7.00 ^{+0.25} / _{+0.00} | 70.00 ^{-0.030} / _{-0.104} | 80.00 ±0.095 | 13.17 |
| MRTU-70X80X12 | 70 | 80 | 11.8 | 13.00 ^{+0.25} / _{+0.00} | 70.00 ^{-0.030} / _{-0.104} | 80.00 ±0.095 | 23.05 |

ROD U-SEALS



STYLE MRTU ROD U-SEALS

ROD U-SEALS

| Part Number | A Nom. ID | B Nom. OD | C Nom. Ht | D GROOVE WIDTH | E ROD DIAMETER | G HOUSING DIAMETER | List Price |
|----------------------|--------------|--------------|--------------|---|---|--|---------------|
| MRTU-70X83X10 | 70 | 83 | 10 | 11.00 ^{+0.25} / _{+0.00} | 70.00 ^{-0.030} / _{-0.104} | 83.00 ±0.11 | 15.56 |
| MRTU-70X85X9 | 70 | 85 | 9 | 10.00 ^{+0.25} / _{+0.00} | 70.00 ^{-0.030} / _{-0.104} | 85.00 ±0.11 | 13.83 |
| MRTU-70X85X10 | 70 | 85 | 10 | 11.00 ^{+0.25} / _{+0.00} | 70.00 ^{-0.030} / _{-0.104} | 85.00 ±0.11 | 17.50 |
| MRTU-70X85X11.5 | 70 | 85 | 11.4 | 12.50 ^{+0.25} / _{+0.00} | 70.00 ^{-0.030} / _{-0.104} | 85.00 ±0.11 | 17.50 |
| MRTU-70X90X12 | 70 | 90 | 12 | 13.00 ^{+0.25} / _{+0.00} | 70.00 ^{-0.030} / _{-0.104} | 90.00 ±0.11 | 22.86 |
| MRTU-75X85X6 | 75 | 85 | 6 | 7.00 ^{+0.25} / _{+0.00} | 75.00 ^{-0.030} / _{-0.104} | 85.00 ±0.11 | 13.53 |
| MRTU-75X85X6-UBR | 75 | 85 | 6 | 7.00 ^{+0.20} / _{+0.00} | 75.00 ^{+0.000} / _{-0.074} | 85.00 ^{+0.14} / _{+0.00} | 18.56 |
| MRTU-75X85X11.8 | 75 | 85 | 11.8 | 13.00 ^{+0.25} / _{+0.00} | 75.00 ^{-0.030} / _{-0.104} | 85.00 ±0.11 | 15.71 |
| MRTU-75X88X10 | 75 | 88 | 10 | 11.00 ^{+0.25} / _{+0.00} | 75.00 ^{-0.030} / _{-0.104} | 88.00 ±0.11 | 17.27 |
| MRTU-75X90X9 | 75 | 90 | 9 | 10.00 ^{+0.25} / _{+0.00} | 75.00 ^{-0.030} / _{-0.104} | 90.00 ±0.11 | 14.32 |
| MRTU-75X90X9-E | 75 | 90 | 9 | 10.00 ^{+0.25} / _{+0.00} | 75.00 ^{-0.030} / _{-0.104} | 90.00 ±0.11 | 23.96 |
| MRTU-75X95X12 | 75 | 95 | 12 | 13.00 ^{+0.25} / _{+0.00} | 75.00 ^{-0.030} / _{-0.104} | 95.00 ±0.11 | 24.78 |
| MRTU-80X89.58X5.8 | 80 | 89.58 | 5.8 | 8.85 ^{+0.38} / _{+0.00} | 80.00 ^{-0.03} / _{-0.11} | 89.58 ^{+0.05} / _{+0.00} | 14.05 |
| MRTU-80X90X6 | 80 | 90 | 6 | 7.00 ^{+0.25} / _{+0.00} | 80.00 ^{-0.030} / _{-0.104} | 90.00 ±0.11 | 13.91 |
| MRTU-80X90X10 | 80 | 90 | 10 | 11.00 ^{+0.25} / _{+0.00} | 80.00 ^{-0.030} / _{-0.104} | 90.00 ±0.11 | 17.83 |
| MRTU-80X90X12 | 80 | 90 | 11.8 | 13.00 ^{+0.25} / _{+0.00} | 80.00 ^{-0.030} / _{-0.104} | 90.00 ±0.11 | 23.90 |
| MRTU-80X93X10 | 80 | 93 | 10 | 11.00 ^{+0.25} / _{+0.00} | 80.00 ^{-0.030} / _{-0.104} | 93.00 ±0.11 | 20.43 |
| MRTU-80X95X9 | 80 | 95 | 9 | 10.00 ^{+0.25} / _{+0.00} | 80.00 ^{-0.030} / _{-0.104} | 95.00 ±0.11 | 15.56 |
| MRTU-80X95X10 | 80 | 95 | 10 | 11.00 ^{+0.25} / _{+0.00} | 80.00 ^{-0.030} / _{-0.104} | 95.00 ±0.11 | 19.60 |
| MRTU-80X95X12 | 80 | 95 | 11.8 | 13.00 ^{+0.25} / _{+0.00} | 80.00 ^{-0.030} / _{-0.104} | 95.00 ±0.11 | 30.65 |
| MRTU-80X100X12 | 80 | 100 | 12 | 13.00 ^{+0.25} / _{+0.00} | 80.00 ^{-0.030} / _{-0.104} | 100.00 ±0.11 | 30.19 |
| MRTU-80X100X14.5 | 80 | 100 | 14.5 | 16.00 ^{+0.25} / _{+0.00} | 80.00 ^{-0.030} / _{-0.104} | 100.00 ±0.11 | 29.79 |
| MRTU-85X100X9 | 85 | 100 | 9 | 10.00 ^{+0.25} / _{+0.00} | 85.00 ^{-0.036} / _{-0.123} | 100.00 ±0.11 | 29.65 |
| MRTU-85X100X10 | 85 | 100 | 10 | 11.00 ^{+0.25} / _{+0.00} | 85.00 ^{-0.036} / _{-0.123} | 100.00 ±0.11 | 23.42 |
| MRTU-85X100X11.8 | 85 | 100 | 11.8 | 13.00 ^{+0.25} / _{+0.00} | 85.00 ^{-0.036} / _{-0.123} | 100.00 ±0.11 | 18.88 |
| MRTU-85X105X12 | 85 | 105 | 12 | 13.00 ^{+0.25} / _{+0.00} | 85.00 ^{-0.036} / _{-0.123} | 105.00 ±0.11 | 28.63 |
| MRTU-90X100X6.8 | 90 | 100 | 6.8 | 7.50 ^{+0.25} / _{+0.00} | 90.00 ^{-0.036} / _{-0.123} | 100.00 ±0.11 | 16.17 |
| MRTU-90X100X9 | 90 | 100 | 9 | 10.00 ^{+0.25} / _{+0.00} | 90.00 ^{-0.036} / _{-0.123} | 100.00 ±0.11 | 17.85 |
| MRTU-90X100X11.5-VME | 90 | 100 | 11.5 | 12.50 ^{+0.25} / _{+0.00} | 90.00 ^{-0.036} / _{-0.071} | 100.00 ^{+0.14} / _{+0.00} | 21.35 |
| MRTU-90X100X11.8 | 90 | 100 | 11.8 | 13.00 ^{+0.25} / _{+0.00} | 90.00 ^{-0.036} / _{-0.123} | 100.00 ±0.11 | 20.02 |
| MRTU-90X105X9 | 90 | 105 | 9 | 10.00 ^{+0.25} / _{+0.00} | 90.00 ^{-0.036} / _{-0.123} | 105.00 ±0.11 | 22.19 |
| MRTU-90X105X9-UBR | 90 | 105 | 9 | 10.00 ^{+0.20} / _{+0.00} | 90.00 ^{+0.000} / _{-0.087} | 105.00 ^{+0.14} / _{+0.00} | 19.39 |
| MRTU-90X105X10 | 90 | 105 | 10 | 11.00 ^{+0.25} / _{+0.00} | 90.00 ^{-0.036} / _{-0.123} | 105.00 ±0.11 | 21.87 |

NORTH AMERICA
PHONE 1-800-777-5617
FAX 1-800-759-6391

SALES OFFICE HOURS
8 A.M. TO 7:30 P.M. EASTERN TIME
www.HerculesUS.com

WORLDWIDE
PHONE 1-727-796-1300
FAX 1-727-797-8849



STYLE MRTU ROD U-SEALS

| Part Number | A Nom. ID | B Nom. OD | C Nom. Ht | D GROOVE WIDTH | E ROD DIAMETER | G HOUSING DIAMETER | List Price |
|-----------------------|--------------|--------------|--------------|---|--|--|---------------|
| MRTU-90X105X11.4 | 90 | 105 | 11.4 | 12.50 ^{+0.25} / _{+0.00} | 90.00 ^{-0.036} / _{-0.123} | 105.00 ±0.11 | 21.72 |
| MRTU-90X105X11.5-E | 90 | 105 | 11.5 | 12.50 ^{+0.20} / _{+0.00} | 90.00 ^{-0.036} / _{-0.090} | 105.00 ±0.07 | 16.49 |
| MRTU-90X110X12 | 90 | 110 | 12 | 13.00 ^{+0.25} / _{+0.00} | 90.00 ^{-0.036} / _{-0.123} | 110.00 ±0.11 | 21.91 |
| MRTU-95X110X9 | 95 | 110 | 9 | 10.00 ^{+0.25} / _{+0.00} | 95.00 ^{-0.036} / _{-0.123} | 110.00 ±0.11 | 26.04 |
| MRTU-95X110X10 | 95 | 110 | 10 | 11.00 ^{+0.25} / _{+0.00} | 95.00 ^{-0.036} / _{-0.123} | 110.00 ±0.11 | 23.68 |
| MRTU-95X115X12 | 95 | 115 | 12 | 13.00 ^{+0.25} / _{+0.00} | 95.00 ^{-0.036} / _{-0.123} | 115.00 ±0.11 | 24.07 |
| MRTU-100X110X10.9 | 100 | 110 | 10.9 | 12.00 ^{+0.25} / _{+0.00} | 100.00 ^{-0.036} / _{-0.123} | 110.00 ±0.11 | 25.78 |
| MRTU-100X115X9 | 100 | 115 | 9 | 10.00 ^{+0.25} / _{+0.00} | 100.00 ^{-0.036} / _{-0.123} | 115.00 ±0.11 | 27.49 |
| MRTU-100X115X10 | 100 | 115 | 10 | 11.00 ^{+0.25} / _{+0.00} | 100.00 ^{-0.036} / _{-0.123} | 115.00 ±0.11 | 24.14 |
| MRTU-100X115X12 | 100 | 115 | 11.8 | 13.00 ^{+0.25} / _{+0.00} | 100.00 ^{-0.036} / _{-0.123} | 115.00 ±0.11 | 27.49 |
| MRTU-100X120X11.8 | 100 | 120 | 11.8 | 13.00 ^{+0.25} / _{+0.00} | 100.00 ^{-0.036} / _{-0.123} | 120.00 ±0.11 | 36.70 |
| MRTU-100X120X14.5 | 100 | 120 | 14.5 | 16.00 ^{+0.25} / _{+0.00} | 100.00 ^{-0.036} / _{-0.123} | 120.00 ±0.11 | 36.70 |
| MRTU-105X113X10 | 105 | 113 | 10 | 11.00 ^{+0.25} / _{+0.00} | 105.00 ^{-0.036} / _{-0.123} | 113.00 ±0.11 | 22.19 |
| MRTU-105X113X13.5-E | 105 | 113 | 13.5 | 14.50 ^{+0.20} / _{+0.00} | 105.00 ^{-0.036} / _{-0.090} | 113.00 ±0.07 | 28.48 |
| MRTU-105X115X11.5-VME | 105 | 115 | 11.5 | 12.50 ^{+0.25} / _{+0.00} | 105.00 ^{-0.036} / _{-0.071} | 115.00 ^{+0.14} / _{+0.00} | 26.24 |
| MRTU-105X115X13.2 | 105 | 115 | 13.2 | 14.50 ^{+0.25} / _{+0.00} | 105.00 ^{-0.036} / _{-0.123} | 115.00 ±0.11 | 28.24 |
| MRTU-105X120X9 | 105 | 120 | 9 | 10.00 ^{+0.25} / _{+0.00} | 105.00 ^{-0.036} / _{-0.123} | 120.00 ±0.11 | 27.89 |
| MRTU-105X120X10 | 105 | 120 | 10 | 11.00 ^{+0.25} / _{+0.00} | 105.00 ^{-0.036} / _{-0.123} | 120.00 ±0.11 | 25.27 |
| MRTU-105X120X14.5 | 105 | 120 | 14.5 | 16.00 ^{+0.25} / _{+0.00} | 105.00 ^{-0.036} / _{-0.123} | 120.00 ±0.11 | 32.46 |
| MRTU-110X125X9 | 110 | 125 | 9 | 10.00 ^{+0.25} / _{+0.00} | 110.00 ^{-0.036} / _{-0.123} | 125.00 ±0.125 | 28.82 |
| MRTU-110X125X11 | 110 | 125 | 11 | 12.00 ^{+0.25} / _{+0.00} | 110.00 ^{-0.036} / _{-0.123} | 125.00 ±0.125 | 33.17 |
| MRTU-110X125X14.5 | 110 | 125 | 14.5 | 16.00 ^{+0.25} / _{+0.00} | 110.00 ^{-0.036} / _{-0.123} | 125.00 ±0.125 | 45.35 |
| MRTU-110X130X11.8 | 110 | 130 | 11.8 | 13.00 ^{+0.25} / _{+0.00} | 110.00 ^{-0.036} / _{-0.123} | 130.00 ±0.125 | 50.20 |
| MRTU-110X130X12-NIBHT | 110 | 130 | 12 | 13.00 ^{+0.20} / _{+0.00} | 110.00 ^{-0.036} / _{-0.090} | 130.00 ^{+0.25} / _{+0.00} | 75.94 |
| MRTU-110X130X14.5 | 110 | 130 | 14.5 | 16.00 ^{+0.25} / _{+0.00} | 110.00 ^{-0.036} / _{-0.123} | 130.00 ±0.125 | 50.20 |
| MRTU-115X130X9 | 115 | 130 | 9 | 10.00 ^{+0.25} / _{+0.00} | 115.00 ^{-0.036} / _{-0.123} | 130.00 ±0.125 | 29.76 |
| MRTU-115X130X10.9 | 115 | 130 | 10.9 | 12.00 ^{+0.25} / _{+0.00} | 115.00 ^{-0.036} / _{-0.123} | 130.00 ±0.125 | 41.69 |
| MRTU-115X130X14.5 | 115 | 130 | 14.5 | 16.00 ^{+0.25} / _{+0.00} | 115.00 ^{-0.036} / _{-0.123} | 130.00 ±0.125 | 42.64 |
| MRTU-120X130X10.9 | 120 | 130 | 10.9 | 12.00 ^{+0.25} / _{+0.00} | 120.00 ^{-0.036} / _{-0.123} | 130.00 ±0.125 | 39.72 |
| MRTU-120X130X11.5-VME | 120 | 130 | 11.5 | 12.50 ^{+0.25} / _{+0.00} | 120.00 ^{-0.036} / _{-0.071} | 130.00 ^{+0.16} / _{+0.00} | 31.09 |
| MRTU-120X135X9 | 120 | 135 | 9 | 10.00 ^{+0.25} / _{+0.00} | 120.00 ^{-0.036} / _{-0.123} | 135.00 ±0.125 | 36.80 |
| MRTU-120X135X15 | 120 | 135 | 15 | 16.00 ^{+0.20} / _{+0.00} | 120.00 ^{-0.036} / _{-0.090} | 135.00 ^{+0.25} / _{+0.00} | 55.22 |
| MRTU-120X140X12 | 120 | 140 | 12 | 13.00 ^{+0.25} / _{+0.00} | 120.00 ^{-0.036} / _{-0.123} | 140.00 ±0.125 | 42.08 |

ROD U-SEALS

FORMERLY LISTED SEALS ARE AVAILABLE ONLINE AT WWW.HERCULESUS.COM
OR BY CONTACTING YOUR REGIONAL HERCULES SALES TEAM.



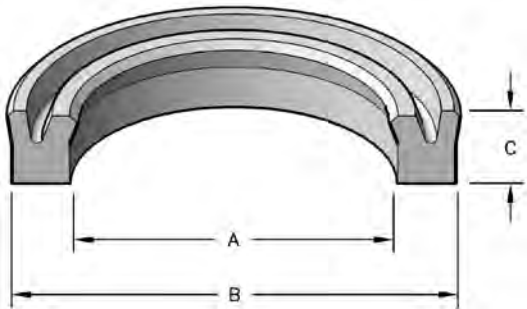
STYLE MRTU ROD U-SEALS

ROD U-SEALS

| Part Number | A Nom. ID | B Nom. OD | C Nom. Ht | D GROOVE WIDTH | E ROD DIAMETER | G HOUSING DIAMETER | List Price |
|-----------------------|--------------|--------------|--------------|---|--|--|---------------|
| MRTU-120X140X14.5 | 120 | 140 | 14.5 | 16.00 ^{+0.25} / _{+0.00} | 120.00 ^{-0.036} / _{-0.123} | 140.00 ±0.125 | 49.09 |
| MRTU-125X140X9 | 125 | 140 | 9 | 10.00 ^{+0.25} / _{+0.00} | 125.00 ^{-0.043} / _{-0.143} | 140.00 ±0.125 | 43.05 |
| MRTU-125X140X10.9 | 125 | 140 | 10.9 | 12.00 ^{+0.25} / _{+0.00} | 125.00 ^{-0.043} / _{-0.143} | 140.00 ±0.125 | 49.62 |
| MRTU-125X145X12 | 125 | 145 | 12 | 13.00 ^{+0.25} / _{+0.00} | 125.00 ^{-0.043} / _{-0.143} | 145.00 ±0.125 | 44.01 |
| MRTU-125X145X14.5 | 125 | 145 | 14.5 | 16.00 ^{+0.25} / _{+0.00} | 125.00 ^{-0.043} / _{-0.143} | 145.00 ±0.125 | 54.70 |
| MRTU-130X140X14.5 | 130 | 140 | 14.5 | 16.00 ^{+0.25} / _{+0.00} | 130.00 ^{-0.043} / _{-0.143} | 140.00 ±0.125 | 48.05 |
| MRTU-130X145X9 | 130 | 145 | 9 | 10.00 ^{+0.25} / _{+0.00} | 130.00 ^{-0.043} / _{-0.143} | 145.00 ±0.125 | 42.14 |
| MRTU-130X145X10 | 130 | 145 | 10 | 11.00 ^{+0.25} / _{+0.00} | 130.00 ^{-0.043} / _{-0.106} | 145.00 ^{+0.10} / _{+0.00} | 29.08 |
| MRTU-130X150X12 | 130 | 150 | 12 | 13.00 ^{+0.25} / _{+0.00} | 130.00 ^{-0.043} / _{-0.143} | 150.00 ±0.125 | 45.93 |
| MRTU-130X150X14.5 | 130 | 150 | 14.5 | 16.00 ^{+0.25} / _{+0.00} | 130.00 ^{-0.043} / _{-0.143} | 150.00 ±0.125 | 57.32 |
| MRTU-140X150X10.9 | 140 | 150 | 10.9 | 12.00 ^{+0.25} / _{+0.00} | 140.00 ^{-0.043} / _{-0.143} | 150.00 ±0.125 | 58.56 |
| MRTU-140X155X9 | 140 | 155 | 9 | 10.00 ^{+0.25} / _{+0.00} | 140.00 ^{-0.043} / _{-0.143} | 155.00 ±0.125 | 42.14 |
| MRTU-140X160X11.8 | 140 | 160 | 11.8 | 13.00 ^{+0.25} / _{+0.00} | 140.00 ^{-0.043} / _{-0.143} | 160.00 ±0.125 | 60.75 |
| MRTU-140X160X12-NIBHT | 140 | 160 | 12 | 13.00 ^{+0.20} / _{+0.00} | 140.00 ^{-0.043} / _{-0.106} | 160.00 ^{+0.25} / _{+0.00} | 156.30 |
| MRTU-140X160X14.5 | 140 | 160 | 14.5 | 16.00 ^{+0.25} / _{+0.00} | 140.00 ^{-0.043} / _{-0.143} | 160.00 ±0.125 | 60.75 |
| MRTU-145X160X9-HI | 145 | 160 | 9 | 11.00 ^{+0.20} / _{+0.00} | 145.00 ^{-0.043} / _{-0.106} | 160.00 ^{+0.25} / _{+0.00} | 55.57 |
| MRTU-150X160X11 | 150 | 160 | 11 | 12.00 ^{+0.25} / _{+0.00} | 150.00 ^{-0.043} / _{-0.143} | 160.00 ±0.125 | 44.87 |
| MRTUSL-150X165X9 | 150 | 165 | 9 | 10.00 ±0.20 | 150.00 ^{-0.043} / _{-0.106} | 165.00 ^{+0.00} / _{-0.20} | 114.23 |
| MRTU-150X170X12 | 150 | 170 | 12 | 13.00 ^{+0.25} / _{+0.00} | 150.00 ^{-0.043} / _{-0.143} | 170.00 ±0.125 | 55.74 |
| MRTU-150X170X13 | 150 | 170 | 13.2 | 14.50 ^{+0.25} / _{+0.00} | 150.00 ^{-0.043} / _{-0.143} | 170.00 ±0.125 | 66.61 |
| MRTU-150X170X14.5 | 150 | 170 | 14.5 | 16.00 ^{+0.25} / _{+0.00} | 150.00 ^{-0.043} / _{-0.143} | 170.00 ±0.125 | 59.69 |
| MRTU-155X170X14.5 | 155 | 170 | 14.5 | 16.00 ^{+0.25} / _{+0.00} | 155.00 ^{-0.043} / _{-0.143} | 170.00 ±0.125 | 52.77 |
| MRTU-160X170X11.5-VME | 160 | 170 | 11.5 | 12.50 ^{+0.25} / _{+0.00} | 160.00 ^{-0.043} / _{-0.083} | 170.00 ^{+0.16} / _{+0.00} | 61.29 |
| MRTU-160X175X9 | 160 | 175 | 9 | 10.00 ^{+0.25} / _{+0.00} | 160.00 ^{-0.043} / _{-0.143} | 175.00 ±0.125 | 53.80 |
| MRTU-160X180X12 | 160 | 180 | 12 | 13.00 ^{+0.25} / _{+0.00} | 160.00 ^{-0.043} / _{-0.143} | 180.00 ±0.125 | 60.11 |
| MRTU-160X180X14.5 | 160 | 180 | 14.5 | 16.00 ^{+0.25} / _{+0.00} | 160.00 ^{-0.043} / _{-0.143} | 180.00 ±0.125 | 70.13 |
| MRTU-170X190X14.5 | 170 | 190 | 14.5 | 16.00 ^{+0.25} / _{+0.00} | 170.00 ^{-0.043} / _{-0.143} | 190.00 ±0.145 | 74.51 |
| MRTU-177.7X195X9.5 | 177.7 | 195 | 9.5 | 10.50 ^{+0.25} / _{+0.00} | 177.70 ^{-0.043} / _{-0.143} | 195.00 ±0.145 | 72.07 |
| MRTU-180X200X11.8 | 180 | 200 | 11.8 | 13.00 ^{+0.25} / _{+0.00} | 180.00 ^{-0.043} / _{-0.143} | 200.00 ±0.145 | 80.55 |
| MRTU-180X200X14.5 | 180 | 200 | 14.5 | 16.00 ^{+0.25} / _{+0.00} | 180.00 ^{-0.043} / _{-0.143} | 200.00 ±0.145 | 72.98 |
| MRTU-228.5X246X9 | 228.5 | 246 | 9 | 10.00 ^{+0.25} / _{+0.00} | 228.50 ^{-0.050} / _{-0.096} | 246.00 ^{+0.185} / _{+0.000} | 360.55 |

STYLE MRU ROD U-SEALS

Molded in a tough urethane, this rod u-seal fits tightly in the groove while providing increased radial force on the rod.

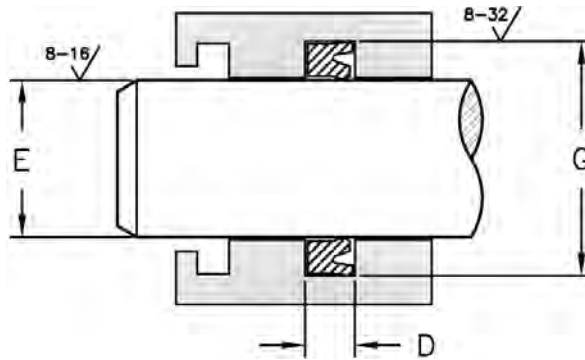


HERCULES PART NUMBERS

MRU - 6 x 14 x 5.7-E
 Type of Seal | Inside Diameter | Outside Diameter | Height

NOTE: E = European Urethane
 ME = Merkel Equivalent
 GT = Green Tweed Equivalent
 A = Alternative Supplier

| SEAL INFORMATION | |
|-------------------|---------------------------------------|
| MATERIAL | URETHANE |
| TEMPERATURE RANGE | -65° TO +230° F E: -22° TO +212° F |
| PRESSURE RANGE | 0 TO 5,000 PSI |
| SPEED | 3 FT/SEC |



| Part Number | A Nom. ID | B Nom. OD | C Nom. Ht | D GROOVE WIDTH | E ROD DIAMETER | G HOUSING DIAMETER | List Price |
|------------------|--------------|--------------|--------------|----------------------|------------------------|--------------------------|---------------|
| MRU-6X14X5.7-E | 6 | 14 | 5.7 | 6.50 +0.30 +0.00 | 6.00 -0.010 -0.028 | 14.00 +0.07 +0.00 | \$4.06 |
| MRU-10X18X5.7-ME | 10 | 18 | 5.7 | 6.30 +0.20 +0.00 | 10.00 -0.013 -0.035 | 18.00 +0.11 +0.00 | 6.07 |
| MRU-12X20X5.7-E | 12 | 20 | 5.7 | 6.50 +0.30 +0.00 | 12.00 -0.016 -0.043 | 20.00 +0.084 +0.000 | 4.48 |
| MRU-12X20X5.7-ME | 12 | 20 | 5.7 | 6.30 +0.20 +0.00 | 12.00 -0.016 -0.043 | 20.00 +0.13 +0.00 | 6.18 |
| MRU-14X22X5.7-ME | 14 | 22 | 5.7 | 6.50 +0.30 +0.00 | 14.00 -0.016 -0.043 | 22.00 +0.13 +0.00 | 7.13 |
| MRU-15X25X10 | 15 | 25 | 10 | 11.00 +0.30 +0.00 | 15.00 -0.016 -0.043 | 25.00 +0.084 +0.000 | 8.18 |
| MRU-16X24X5.7-ME | 16 | 24 | 5.7 | 6.50 +0.30 +0.00 | 16.00 -0.016 -0.043 | 24.00 +0.13 +0.00 | 7.13 |
| MRU-18X24X4.5-E | 18 | 24 | 4.5 | 5.00 +0.30 +0.00 | 18.00 -0.016 -0.043 | 24.00 +0.084 +0.000 | 4.34 |
| MRU-18X26X5.7-E | 18 | 26 | 5.7 | 6.50 +0.30 +0.00 | 18.00 -0.016 -0.043 | 26.00 +0.084 +0.000 | 5.13 |
| MRU-18X26X5.7-ME | 18 | 26 | 5.7 | 6.30 +0.20 +0.00 | 18.00 -0.016 -0.043 | 26.00 +0.13 +0.00 | 6.52 |
| MRU-18X28X7.3-ME | 18 | 28 | 7.3 | 8.00 +0.20 +0.00 | 18.00 -0.016 -0.043 | 28.00 +0.13 +0.00 | 6.52 |
| MRU-18X28X8-E | 18 | 28 | 8 | 9.00 +0.30 +0.00 | 18.00 -0.016 -0.043 | 28.00 +0.084 +0.000 | 5.40 |
| MRU-20X28X5.7 | 20 | 28 | 5.7 | 6.50 +0.30 +0.00 | 20.00 -0.020 -0.053 | 28.00 +0.084 +0.000 | 12.45 |
| MRU-20X28X5.7-ME | 20 | 28 | 5.7 | 6.30 +0.20 +0.00 | 20.00 -0.020 -0.053 | 28.00 +0.13 +0.00 | 5.94 |
| MRU-20X30X7.3-ME | 20 | 30 | 7.3 | 8.00 +0.20 +0.00 | 20.00 -0.020 -0.053 | 30.00 +0.13 +0.00 | 6.52 |
| MRU-20X30X8 | 20 | 30 | 8 | 9.00 +0.30 +0.00 | 20.00 -0.020 -0.053 | 30.00 +0.084 +0.000 | 8.73 |

ROD U-SEALS



STYLE MRU ROD U-SEALS

ROD U-SEALS

| Part Number | A Nom. ID | B Nom. OD | C Nom. Ht | D GROOVE WIDTH | E ROD DIAMETER | G HOUSING DIAMETER | List Price |
|------------------|--------------|--------------|--------------|---|---|---|---------------|
| MRU-20X35X10-E | 20 | 35 | 10 | 11.00 ^{+0.30} / _{+0.00} | 20.00 ^{-0.020} / _{-0.053} | 35.00 ^{+0.10} / _{+0.00} | 5.40 |
| MRU-22X30X5.7-E | 22 | 30 | 5.7 | 6.50 ^{+0.30} / _{+0.00} | 22.00 ^{-0.020} / _{-0.053} | 30.00 ^{+0.084} / _{+0.000} | 5.40 |
| MRU-22X30X5.7-ME | 22 | 30 | 5.7 | 6.30 ^{+0.20} / _{+0.00} | 22.00 ^{-0.020} / _{-0.053} | 30.00 ^{+0.13} / _{+0.00} | 5.94 |
| MRU-22X32X7.3-ME | 22 | 32 | 7.3 | 8.00 ^{+0.20} / _{+0.00} | 22.00 ^{-0.020} / _{-0.053} | 32.00 ^{+0.16} / _{+0.00} | 7.31 |
| MRU-25X31X5-B3 | 25 | 31 | 5 | 5.60 ^{+0.25} / _{+0.00} | 25.00 ^{-0.020} / _{-0.041} | 31.00 ^{+0.062} / _{+0.000} | 12.06 |
| MRU-25X33X5 | 25 | 33 | 5 | 5.70 ^{+0.30} / _{+0.00} | 25.00 ^{-0.020} / _{-0.053} | 33.00 ^{+0.10} / _{+0.00} | 6.84 |
| MRU-25X33X5.7 | 25 | 33 | 5.7 | 6.50 ^{+0.30} / _{+0.00} | 25.00 ^{-0.020} / _{-0.053} | 33.00 ^{+0.10} / _{+0.00} | 10.07 |
| MRU-25X33X5.7-ME | 25 | 33 | 5.7 | 6.30 ^{+0.20} / _{+0.00} | 25.00 ^{-0.020} / _{-0.053} | 33.00 ^{+0.16} / _{+0.00} | 6.66 |
| MRU-25X33X6.3-E | 25 | 33 | 6.3 | 7.00 ^{+0.30} / _{+0.00} | 25.00 ^{-0.020} / _{-0.053} | 33.00 ^{+0.10} / _{+0.00} | 5.40 |
| MRU-25X33X10-E | 25 | 33 | 10 | 11.00 ^{+0.30} / _{+0.00} | 25.00 ^{-0.020} / _{-0.053} | 33.00 ^{+0.10} / _{+0.00} | 5.40 |
| MRU-25X35X5 | 25 | 35 | 5 | 5.70 ^{+0.30} / _{+0.00} | 25.00 ^{-0.020} / _{-0.053} | 35.00 ^{+0.10} / _{+0.00} | 10.54 |
| MRU-25X35X6 | 25 | 35 | 6 | 6.50 ^{+0.30} / _{+0.00} | 25.00 ^{-0.020} / _{-0.053} | 35.00 ^{+0.10} / _{+0.00} | 9.87 |
| MRU-25X35X7.2-E | 25 | 35 | 7.2 | 8.00 ^{+0.30} / _{+0.00} | 25.00 ^{-0.020} / _{-0.053} | 35.00 ^{+0.10} / _{+0.00} | 5.81 |
| MRU-25X35X7.3-ME | 25 | 35 | 7.3 | 8.00 ^{+0.20} / _{+0.00} | 25.00 ^{-0.020} / _{-0.053} | 35.00 ^{+0.16} / _{+0.00} | 7.31 |
| MRU-25X35X8 | 25 | 35 | 8 | 9.00 ^{+0.30} / _{+0.00} | 25.00 ^{-0.020} / _{-0.053} | 35.00 ^{+0.10} / _{+0.00} | 8.73 |
| MRU-25X35X10-E | 25 | 35 | 10 | 11.00 ^{+0.30} / _{+0.00} | 25.00 ^{-0.020} / _{-0.053} | 35.00 ^{+0.10} / _{+0.00} | 5.81 |
| MRU-25X40X10-E | 25 | 40 | 10 | 11.00 ^{+0.30} / _{+0.00} | 25.00 ^{-0.020} / _{-0.053} | 40.00 ^{+0.10} / _{+0.00} | 6.35 |
| MRU-28X36X5.7-ME | 28 | 36 | 5.7 | 6.30 ^{+0.20} / _{+0.00} | 28.00 ^{-0.020} / _{-0.053} | 36.00 ^{+0.16} / _{+0.00} | 6.97 |
| MRU-28X38X7.3 | 28 | 38 | 7.3 | 8.00 ^{+0.30} / _{+0.00} | 28.00 ^{-0.020} / _{-0.053} | 38.00 ^{+0.10} / _{+0.00} | 9.57 |
| MRU-28X38X7.3-ME | 28 | 38 | 7.3 | 8.00 ^{+0.20} / _{+0.00} | 28.00 ^{-0.020} / _{-0.053} | 38.00 ^{+0.16} / _{+0.00} | 7.65 |
| MRU-30X38X5.7-E | 30 | 38 | 5.7 | 6.50 ^{+0.30} / _{+0.00} | 30.00 ^{-0.020} / _{-0.053} | 38.00 ^{+0.10} / _{+0.00} | 5.94 |
| MRU-30X38X5.7-ME | 30 | 38 | 5.7 | 6.30 ^{+0.20} / _{+0.00} | 30.00 ^{-0.020} / _{-0.053} | 38.00 ^{+0.16} / _{+0.00} | 6.97 |
| MRU-30X38X8-E | 30 | 38 | 8 | 9.00 ^{+0.30} / _{+0.00} | 30.00 ^{-0.020} / _{-0.053} | 38.00 ^{+0.10} / _{+0.00} | 5.94 |
| MRU-30X38X8.2-ME | 30 | 38 | 8.2 | 9.00 ^{+0.20} / _{+0.00} | 30.00 ^{-0.020} / _{-0.053} | 38.00 ^{+0.16} / _{+0.00} | 7.65 |
| MRU-30X40X6 | 30 | 40 | 6 | 6.50 ^{+0.30} / _{+0.00} | 30.00 ^{-0.020} / _{-0.053} | 40.00 ^{+0.10} / _{+0.00} | 7.14 |
| MRU-30X40X7 | 30 | 40 | 7 | 8.00 ^{+0.30} / _{+0.00} | 30.00 ^{-0.020} / _{-0.053} | 40.00 ^{+0.10} / _{+0.00} | 9.11 |
| MRU-30X40X7.3 | 30 | 40 | 7.3 | 8.00 ^{+0.30} / _{+0.00} | 30.00 ^{-0.020} / _{-0.053} | 40.00 ^{+0.10} / _{+0.00} | 8.66 |
| MRU-30X40X8 | 30 | 40 | 8 | 9.00 ^{+0.30} / _{+0.00} | 30.00 ^{-0.020} / _{-0.053} | 40.00 ^{+0.10} / _{+0.00} | 10.53 |
| MRU-30X40X10-E | 30 | 40 | 10 | 11.00 ^{+0.30} / _{+0.00} | 30.00 ^{-0.020} / _{-0.053} | 40.00 ^{+0.10} / _{+0.00} | 7.70 |
| MRU-30X40X10-ME | 30 | 40 | 10 | 11.00 ^{+0.20} / _{+0.00} | 30.00 ^{-0.020} / _{-0.053} | 40.00 ^{+0.16} / _{+0.00} | 6.97 |
| MRU-30X43X9-E | 30 | 43 | 9 | 10.00 ^{+0.30} / _{+0.00} | 30.00 ^{-0.020} / _{-0.053} | 43.00 ^{+0.10} / _{+0.00} | 6.77 |
| MRU-30X43X10 | 30 | 43 | 10 | 11.00 ^{+0.30} / _{+0.00} | 30.00 ^{-0.020} / _{-0.053} | 43.00 ^{+0.10} / _{+0.00} | 9.11 |
| MRU-30X46X9 | 30 | 46 | 9 | 10.00 ^{+0.30} / _{+0.00} | 30.00 ^{-0.020} / _{-0.053} | 46.00 ^{+0.10} / _{+0.00} | 12.40 |



STYLE MRU ROD U-SEALS

| Part Number | A Nom. ID | B Nom. OD | C Nom. Ht | D GROOVE WIDTH | E ROD DIAMETER | G HOUSING DIAMETER | List Price |
|------------------|--------------|--------------|--------------|---|---|---|---------------|
| MRU-32X40X5.7-ME | 32 | 40 | 5.7 | 6.30 ^{+0.20} / _{+0.00} | 32.00 ^{-0.025} / _{-0.064} | 40.00 ^{+0.16} / _{+0.00} | 6.97 |
| MRU-32X40X8-E | 32 | 40 | 8 | 9.00 ^{+0.30} / _{+0.00} | 32.00 ^{-0.025} / _{-0.064} | 40.00 ^{+0.10} / _{+0.00} | 6.50 |
| MRU-32X42X6 | 32 | 42 | 6 | 6.50 ^{+0.30} / _{+0.00} | 32.00 ^{-0.025} / _{-0.064} | 42.00 ^{+0.10} / _{+0.00} | 14.70 |
| MRU-32X42X7.2-E | 32 | 42 | 7.2 | 8.00 ^{+0.30} / _{+0.00} | 32.00 ^{-0.025} / _{-0.064} | 42.00 ^{+0.10} / _{+0.00} | 6.50 |
| MRU-32X42X7.3-ME | 32 | 42 | 7.3 | 8.00 ^{+0.20} / _{+0.00} | 32.00 ^{-0.02} / _{-0.06} | 42.00 ^{+0.06} / _{+0.00} | 10.40 |
| MRU-32X45X9.5-E | 32 | 45 | 9.5 | 10.50 ^{+0.30} / _{+0.00} | 32.00 ^{-0.025} / _{-0.064} | 45.00 ^{+0.10} / _{+0.00} | 7.70 |
| MRU-32X47X10-E | 32 | 47 | 10 | 11.00 ^{+0.30} / _{+0.00} | 32.00 ^{-0.025} / _{-0.064} | 47.00 ^{+0.10} / _{+0.00} | 7.45 |
| MRU-32X47X10-ME | 32 | 47 | 10 | 11.00 ^{+0.20} / _{+0.00} | 32.00 ^{-0.025} / _{-0.064} | 47.00 ^{+0.16} / _{+0.00} | 8.32 |
| MRU-33X43X10-E | 33 | 43 | 10 | 11.00 ^{+0.30} / _{+0.00} | 33.00 ^{-0.025} / _{-0.064} | 43.00 ^{+0.10} / _{+0.00} | 7.83 |
| MRU-35X43X5.7-E | 35 | 43 | 5.7 | 6.50 ^{+0.30} / _{+0.00} | 35.00 ^{-0.025} / _{-0.064} | 43.00 ^{+0.10} / _{+0.00} | 7.83 |
| MRU-35X43X5.7-ME | 35 | 43 | 5.7 | 6.30 ^{+0.20} / _{+0.00} | 35.00 ^{-0.025} / _{-0.064} | 43.00 ^{+0.16} / _{+0.00} | 7.93 |
| MRU-35X43X8-E | 35 | 43 | 8 | 9.00 ^{+0.30} / _{+0.00} | 35.00 ^{-0.025} / _{-0.064} | 43.00 ^{+0.10} / _{+0.00} | 7.83 |
| MRU-35X45X6 | 35 | 45 | 6 | 6.50 ^{+0.30} / _{+0.00} | 35.00 ^{-0.025} / _{-0.064} | 45.00 ^{+0.10} / _{+0.00} | 10.81 |
| MRU-35X45X6-A | 35 | 45 | 6 | 6.50 ^{+0.30} / _{+0.00} | 35.00 ^{-0.025} / _{-0.064} | 45.00 ^{+0.10} / _{+0.00} | 2.20 |
| MRU-35X45X6.3 | 35 | 45 | 6.3 | 7.00 ^{+0.30} / _{+0.00} | 35.00 ^{-0.025} / _{-0.064} | 45.00 ^{+0.10} / _{+0.00} | 10.81 |
| MRU-35X45X7 | 35 | 45 | 7 | 8.00 ^{+0.30} / _{+0.00} | 35.00 ^{-0.025} / _{-0.064} | 45.00 ^{+0.10} / _{+0.00} | 7.56 |
| MRU-35X45X7.3 | 35 | 45 | 7.3 | 8.00 ^{+0.30} / _{+0.00} | 35.00 ^{-0.025} / _{-0.064} | 45.00 ^{+0.10} / _{+0.00} | 16.74 |
| MRU-35X45X10-ME | 35 | 45 | 10 | 11.00 ^{+0.20} / _{+0.00} | 35.00 ^{-0.025} / _{-0.064} | 45.00 ^{+0.16} / _{+0.00} | 9.14 |
| MRU-35X51X9 | 35 | 51 | 9 | 10.00 ^{+0.30} / _{+0.00} | 35.00 ^{-0.025} / _{-0.064} | 51.00 ^{+0.12} / _{+0.00} | 11.94 |
| MRU-36X44X5.7-ME | 36 | 44 | 5.7 | 6.50 ^{+0.30} / _{+0.00} | 36.00 ^{-0.025} / _{-0.064} | 44.00 ^{+0.10} / _{+0.00} | 9.23 |
| MRU-36X44X8.2-ME | 36 | 44 | 8.2 | 9.00 ^{+0.20} / _{+0.00} | 36.00 ^{-0.025} / _{-0.064} | 44.00 ^{+0.16} / _{+0.00} | 7.22 |
| MRU-36X46X7-E | 36 | 46 | 7 | 8.00 ^{+0.30} / _{+0.00} | 36.00 ^{-0.025} / _{-0.064} | 46.00 ^{+0.10} / _{+0.00} | 7.45 |
| MRU-36X46X7.3-ME | 36 | 46 | 7.3 | 8.00 ^{+0.20} / _{+0.00} | 36.00 ^{-0.025} / _{-0.064} | 46.00 ^{+0.16} / _{+0.00} | 8.32 |
| MRU-36X51X10-E | 36 | 51 | 10 | 11.00 ^{+0.30} / _{+0.00} | 36.00 ^{-0.025} / _{-0.064} | 51.00 ^{+0.12} / _{+0.00} | 8.27 |
| MRU-40X48X5 | 40 | 48 | 5 | 5.70 ^{+0.30} / _{+0.00} | 40.00 ^{-0.025} / _{-0.064} | 48.00 ^{+0.10} / _{+0.00} | 17.28 |
| MRU-40X48X5.7-E | 40 | 48 | 5.7 | 6.50 ^{+0.30} / _{+0.00} | 40.00 ^{-0.025} / _{-0.064} | 48.00 ^{+0.10} / _{+0.00} | 8.27 |
| MRU-40X48X5.7-ME | 40 | 48 | 5.7 | 6.30 ^{+0.20} / _{+0.00} | 40.00 ^{-0.025} / _{-0.064} | 48.00 ^{+0.16} / _{+0.00} | 7.58 |
| MRU-40X48X5.8-E | 40 | 48 | 5.8 | 6.80 ^{+0.20} / _{+0.00} | 40.00 ^{-0.025} / _{-0.064} | 48.00 ^{+0.16} / _{+0.00} | 3.16 |
| MRU-40X48X8.2-ME | 40 | 48 | 8.2 | 9.00 ^{+0.20} / _{+0.00} | 40.00 ^{-0.025} / _{-0.064} | 48.00 ^{+0.16} / _{+0.00} | 8.32 |
| MRU-40X50X6 | 40 | 50 | 6 | 6.50 ^{+0.30} / _{+0.00} | 40.00 ^{-0.025} / _{-0.064} | 50.00 ^{+0.10} / _{+0.00} | 11.84 |
| MRU-40X50X7.3 | 40 | 50 | 7.3 | 8.00 ^{+0.30} / _{+0.00} | 40.00 ^{-0.025} / _{-0.064} | 50.00 ^{+0.10} / _{+0.00} | 12.53 |
| MRU-40X50X7.3-ME | 40 | 50 | 7.3 | 8.00 ^{+0.20} / _{+0.00} | 40.00 ^{-0.025} / _{-0.064} | 50.00 ^{+0.16} / _{+0.00} | 7.58 |
| MRU-40X50X9-E | 40 | 50 | 9 | 10.00 ^{+0.20} / _{+0.00} | 40.00 ^{+0.000} / _{-0.062} | 50.00 ^{+0.10} / _{+0.00} | 5.79 |

ROD U-SEALS

FORMERLY LISTED SEALS ARE AVAILABLE ONLINE AT WWW.HERCULESUS.COM
OR BY CONTACTING YOUR REGIONAL HERCULES SALES TEAM.



STYLE MRU ROD U-SEALS

| Part Number | A Nom. ID | B Nom. OD | C Nom. Ht | D GROOVE WIDTH | E ROD DIAMETER | G HOUSING DIAMETER | List Price |
|------------------|--------------|--------------|--------------|---|---|---|---------------|
| MRU-40X50X10-ME | 40 | 50 | 10 | 11.00 ^{+0.20} / _{+0.00} | 40.00 ^{-0.025} / _{-0.064} | 50.00 ^{+0.16} / _{+0.00} | 7.58 |
| MRU-40X52X8-E | 40 | 52 | 8 | 9.00 ^{+0.30} / _{+0.00} | 40.00 ^{-0.025} / _{-0.064} | 52.00 ^{+0.12} / _{+0.00} | 8.56 |
| MRU-40X55X9 | 40 | 55 | 9 | 10.00 ^{+0.30} / _{+0.00} | 40.00 ^{-0.025} / _{-0.064} | 55.00 ^{+0.12} / _{+0.00} | 13.21 |
| MRU-40X55X10 | 40 | 55 | 10 | 11.00 ^{+0.30} / _{+0.00} | 40.00 ^{-0.025} / _{-0.064} | 55.00 ^{+0.12} / _{+0.00} | 35.06 |
| MRU-40X55X10-ME | 40 | 55 | 10 | 11.00 ^{+0.20} / _{+0.00} | 40.00 ^{-0.025} / _{-0.064} | 55.00 ^{+0.19} / _{+0.00} | 9.67 |
| MRU-40X56X12 | 40 | 56 | 12 | 13.00 ^{+0.30} / _{+0.00} | 40.00 ^{-0.025} / _{-0.064} | 56.00 ^{+0.12} / _{+0.00} | 13.42 |
| MRU-40X60X12 | 40 | 60 | 12 | 13.00 ^{+0.30} / _{+0.00} | 40.00 ^{-0.025} / _{-0.064} | 60.00 ^{+0.12} / _{+0.00} | 15.83 |
| MRU-42X50X5.7-ME | 42 | 50 | 5.7 | 6.50 ^{+0.30} / _{+0.00} | 42.00 ^{-0.025} / _{-0.064} | 50.00 ^{+0.10} / _{+0.00} | 9.68 |
| MRU-42X50X6 | 42 | 50 | 6 | 6.50 ^{+0.30} / _{+0.00} | 42.00 ^{-0.025} / _{-0.064} | 50.00 ^{+0.10} / _{+0.00} | 19.12 |
| MRU-42X52X7.3 | 42 | 52 | 7.3 | 8.00 ^{+0.30} / _{+0.00} | 42.00 ^{-0.025} / _{-0.064} | 52.00 ^{+0.12} / _{+0.00} | 20.72 |
| MRU-45X53X5.8-E | 45 | 53 | 5.8 | 6.50 ^{+0.30} / _{+0.00} | 45.00 ^{-0.025} / _{-0.064} | 53.00 ^{+0.12} / _{+0.00} | 10.52 |
| MRU-45X53X8.2-ME | 45 | 53 | 8.2 | 9.00 ^{+0.20} / _{+0.00} | 45.00 ^{-0.025} / _{-0.064} | 53.00 ^{+0.19} / _{+0.00} | 9.67 |
| MRU-45X55X6 | 45 | 55 | 6 | 6.50 ^{+0.30} / _{+0.00} | 45.00 ^{-0.025} / _{-0.064} | 55.00 ^{+0.12} / _{+0.00} | 13.97 |
| MRU-45X55X6-A | 45 | 55 | 6 | 6.50 ^{+0.30} / _{+0.00} | 45.00 ^{-0.025} / _{-0.064} | 55.00 ^{+0.12} / _{+0.00} | 2.55 |
| MRU-45X55X7.3 | 45 | 55 | 7.3 | 8.00 ^{+0.30} / _{+0.00} | 45.00 ^{-0.025} / _{-0.064} | 55.00 ^{+0.12} / _{+0.00} | 13.15 |
| MRU-45X55X7.3-ME | 45 | 55 | 7.3 | 8.00 ^{+0.20} / _{+0.00} | 45.00 ^{-0.025} / _{-0.064} | 55.00 ^{+0.19} / _{+0.00} | 8.81 |
| MRU-45X55X8 | 45 | 55 | 8 | 9.00 ^{+0.30} / _{+0.00} | 45.00 ^{-0.025} / _{-0.064} | 55.00 ^{+0.12} / _{+0.00} | 18.79 |
| MRU-45X55X10-ME | 45 | 55 | 10 | 11.00 ^{+0.20} / _{+0.00} | 45.00 ^{-0.025} / _{-0.064} | 55.00 ^{+0.19} / _{+0.00} | 9.67 |
| MRU-45X58X9-E | 45 | 58 | 9 | 10.00 ^{+0.30} / _{+0.00} | 45.00 ^{-0.025} / _{-0.064} | 58.00 ^{+0.12} / _{+0.00} | 8.80 |
| MRU-45X60X9 | 45 | 60 | 9 | 10.00 ^{+0.30} / _{+0.00} | 45.00 ^{-0.025} / _{-0.064} | 60.00 ^{+0.12} / _{+0.00} | 16.65 |
| MRU-45X60X10-E | 45 | 60 | 10 | 11.00 ^{+0.30} / _{+0.00} | 45.00 ^{-0.025} / _{-0.064} | 60.00 ^{+0.12} / _{+0.00} | 8.80 |
| MRU-45X60X10-ME | 45 | 60 | 10 | 11.00 ^{+0.20} / _{+0.00} | 45.00 ^{-0.025} / _{-0.064} | 60.00 ^{+0.19} / _{+0.00} | 10.57 |
| MRU-45X60X11.5-E | 45 | 60 | 11.5 | 12.50 ^{+0.30} / _{+0.00} | 45.00 ^{-0.025} / _{-0.064} | 60.00 ^{+0.12} / _{+0.00} | 9.88 |
| MRU-45X65X12 | 45 | 65 | 12 | 13.00 ^{+0.30} / _{+0.00} | 45.00 ^{-0.025} / _{-0.064} | 65.00 ^{+0.12} / _{+0.00} | 12.10 |
| MRU-50X58X8.2-ME | 50 | 58 | 8.2 | 9.00 ^{+0.30} / _{+0.00} | 50.00 ^{-0.025} / _{-0.064} | 58.00 ^{+0.12} / _{+0.00} | 12.31 |
| MRU-50X60X7.3 | 50 | 60 | 7.3 | 8.00 ^{+0.30} / _{+0.00} | 50.00 ^{-0.025} / _{-0.064} | 60.00 ^{+0.12} / _{+0.00} | 12.92 |
| MRU-50X60X7.3-ME | 50 | 60 | 7.3 | 8.00 ^{+0.20} / _{+0.00} | 50.00 ^{-0.025} / _{-0.064} | 60.00 ^{+0.19} / _{+0.00} | 9.63 |
| MRU-50X60X10-E | 50 | 60 | 10 | 11.00 ^{+0.30} / _{+0.00} | 50.00 ^{-0.025} / _{-0.064} | 60.00 ^{+0.12} / _{+0.00} | 9.88 |
| MRU-50X60X10-ME | 50 | 60 | 10 | 11.00 ^{+0.20} / _{+0.00} | 50.00 ^{-0.025} / _{-0.064} | 60.00 ^{+0.19} / _{+0.00} | 10.57 |
| MRU-50X60X12-E | 50 | 60 | 12 | 13.00 ^{+0.30} / _{+0.00} | 50.00 ^{-0.025} / _{-0.064} | 60.00 ^{+0.12} / _{+0.00} | 9.88 |
| MRU-50X63X8 | 50 | 63 | 8 | 9.00 ^{+0.30} / _{+0.00} | 50.00 ^{-0.025} / _{-0.064} | 63.00 ^{+0.12} / _{+0.00} | 16.25 |
| MRU-50X63X10 | 50 | 63 | 10 | 11.00 ^{+0.30} / _{+0.00} | 50.00 ^{-0.025} / _{-0.064} | 63.00 ^{+0.12} / _{+0.00} | 16.76 |
| MRU-50X65X9 | 50 | 65 | 9 | 10.00 ^{+0.30} / _{+0.00} | 50.00 ^{-0.025} / _{-0.064} | 65.00 ^{+0.12} / _{+0.00} | 20.16 |

ROD U-SEALS

NORTH AMERICA
PHONE 1-800-777-5617
FAX 1-800-759-6391

SALES OFFICE HOURS
8 A.M. TO 7:30 P.M. EASTERN TIME
www.HerculesUS.com

WORLDWIDE
PHONE 1-727-796-1300
FAX 1-727-797-8849



STYLE MRU ROD U-SEALS

| Part Number | A Nom. ID | B Nom. OD | C Nom. Ht | D GROOVE WIDTH | E ROD DIAMETER | G HOUSING DIAMETER | List Price |
|-------------------|--------------|--------------|--------------|---|---|---|---------------|
| MRU-50X65X10 | 50 | 65 | 10 | 11.00 ^{+0.30} / _{+0.00} | 50.00 ^{-0.025} / _{-0.064} | 65.00 ^{+0.12} / _{+0.00} | 16.92 |
| MRU-50X65X10-ME | 50 | 65 | 10 | 11.00 ^{+0.20} / _{+0.00} | 50.00 ^{-0.025} / _{-0.064} | 65.00 ^{+0.19} / _{+0.00} | 11.13 |
| MRU-50X65X11.4-ME | 50 | 65 | 11.4 | 12.50 ^{+0.20} / _{+0.00} | 50.00 ^{-0.025} / _{-0.064} | 65.00 ^{+0.19} / _{+0.00} | 10.14 |
| MRU-50X65X11.5-E | 50 | 65 | 11.5 | 12.50 ^{+0.30} / _{+0.00} | 50.00 ^{-0.025} / _{-0.064} | 65.00 ^{+0.12} / _{+0.00} | 11.69 |
| MRU-50X65X15.5-E | 50 | 65 | 15.5 | 17.00 ^{+0.30} / _{+0.00} | 50.00 ^{-0.025} / _{-0.064} | 65.00 ^{+0.12} / _{+0.00} | 11.69 |
| MRU-50X66X12 | 50 | 66 | 12 | 13.00 ^{+0.30} / _{+0.00} | 50.00 ^{-0.025} / _{-0.064} | 66.00 ^{+0.12} / _{+0.00} | 12.95 |
| MRU-50X70X12 | 50 | 70 | 12 | 13.00 ^{+0.30} / _{+0.00} | 50.00 ^{-0.025} / _{-0.064} | 70.00 ^{+0.12} / _{+0.00} | 17.05 |
| MRU-55X65X6-A | 55 | 65 | 6 | 6.50 ^{+0.30} / _{+0.00} | 55.00 ^{-0.030} / _{-0.076} | 65.00 ^{+0.12} / _{+0.00} | 2.85 |
| MRU-55X65X7.2-E | 55 | 65 | 7.2 | 8.00 ^{+0.30} / _{+0.00} | 55.00 ^{-0.030} / _{-0.076} | 65.00 ^{+0.12} / _{+0.00} | 9.20 |
| MRU-55X65X7.3-ME | 55 | 65 | 7.3 | 8.00 ^{+0.20} / _{+0.00} | 55.00 ^{-0.030} / _{-0.076} | 65.00 ^{+0.19} / _{+0.00} | 12.82 |
| MRU-55X65X10-ME | 55 | 65 | 10 | 11.00 ^{+0.20} / _{+0.00} | 55.00 ^{-0.030} / _{-0.076} | 65.00 ^{+0.19} / _{+0.00} | 11.13 |
| MRU-55X68X10 | 55 | 68 | 10 | 11.00 ^{+0.30} / _{+0.00} | 55.00 ^{-0.030} / _{-0.076} | 68.00 ^{+0.12} / _{+0.00} | 20.92 |
| MRU-55X70X9 | 55 | 70 | 9 | 10.00 ^{+0.30} / _{+0.00} | 55.00 ^{-0.030} / _{-0.076} | 70.00 ^{+0.12} / _{+0.00} | 19.27 |
| MRU-55X70X10-E | 55 | 70 | 10 | 11.00 ^{+0.30} / _{+0.00} | 55.00 ^{-0.030} / _{-0.076} | 70.00 ^{+0.12} / _{+0.00} | 10.14 |
| MRU-55X71X12 | 55 | 71 | 12 | 13.00 ^{+0.30} / _{+0.00} | 55.00 ^{-0.030} / _{-0.076} | 71.00 ^{+0.12} / _{+0.00} | 22.46 |
| MRU-55X75X12 | 55 | 75 | 12 | 13.00 ^{+0.30} / _{+0.00} | 55.00 ^{-0.030} / _{-0.076} | 75.00 ^{+0.12} / _{+0.00} | 17.20 |
| MRU-56X66X7.3 | 56 | 66 | 7.3 | 8.00 ^{+0.30} / _{+0.00} | 56.00 ^{-0.030} / _{-0.076} | 66.00 ^{+0.12} / _{+0.00} | 14.65 |
| MRU-56X66X7.3-ME | 56 | 66 | 7.3 | 8.00 ^{+0.20} / _{+0.00} | 56.00 ^{-0.030} / _{-0.076} | 66.00 ^{+0.19} / _{+0.00} | 13.48 |
| MRU-56X66X10-E | 56 | 66 | 10 | 11.00 ^{+0.30} / _{+0.00} | 56.00 ^{-0.030} / _{-0.076} | 66.00 ^{+0.12} / _{+0.00} | 9.46 |
| MRU-56X71X9 | 56 | 71 | 9 | 10.00 ^{+0.30} / _{+0.00} | 56.00 ^{-0.030} / _{-0.076} | 71.00 ^{+0.12} / _{+0.00} | 16.50 |
| MRU-56X71X10-E | 56 | 71 | 10 | 11.00 ^{+0.30} / _{+0.00} | 56.00 ^{-0.030} / _{-0.076} | 71.00 ^{+0.12} / _{+0.00} | 10.14 |
| MRU-60X68X8.2-ME | 60 | 68 | 8.2 | 9.00 ^{+0.20} / _{+0.00} | 60.00 ^{-0.030} / _{-0.076} | 68.00 ^{+0.19} / _{+0.00} | 13.48 |
| MRU-60X70X7.3 | 60 | 70 | 7.3 | 8.00 ^{+0.30} / _{+0.00} | 60.00 ^{-0.030} / _{-0.076} | 70.00 ^{+0.12} / _{+0.00} | 13.12 |
| MRU-60X70X7.3-ME | 60 | 70 | 7.3 | 8.00 ^{+0.20} / _{+0.00} | 60.00 ^{-0.030} / _{-0.076} | 70.00 ^{+0.19} / _{+0.00} | 11.69 |
| MRU-60X70X10-ME | 60 | 70 | 10 | 11.00 ^{+0.20} / _{+0.00} | 60.00 ^{-0.030} / _{-0.076} | 70.00 ^{+0.19} / _{+0.00} | 13.48 |
| MRU-60X72X9-E | 60 | 72 | 9 | 10.00 ^{+0.30} / _{+0.00} | 60.00 ^{-0.030} / _{-0.076} | 72.00 ^{+0.12} / _{+0.00} | 12.66 |
| MRU-60X73X10 | 60 | 73 | 10 | 11.00 ^{+0.30} / _{+0.00} | 60.00 ^{-0.030} / _{-0.076} | 73.00 ^{+0.12} / _{+0.00} | 16.87 |
| MRU-60X75X9 | 60 | 75 | 9 | 10.00 ^{+0.30} / _{+0.00} | 60.00 ^{-0.030} / _{-0.076} | 75.00 ^{+0.12} / _{+0.00} | 17.54 |
| MRU-60X75X11.4-ME | 60 | 75 | 11.4 | 12.50 ^{+0.20} / _{+0.00} | 60.00 ^{-0.030} / _{-0.076} | 75.00 ^{+0.19} / _{+0.00} | 10.64 |
| MRU-60X76X10 | 60 | 76 | 10 | 11.00 ^{+0.30} / _{+0.00} | 60.00 ^{-0.030} / _{-0.076} | 76.00 ^{+0.12} / _{+0.00} | 17.95 |
| MRU-60X76X12 | 60 | 76 | 12 | 13.00 ^{+0.30} / _{+0.00} | 60.00 ^{-0.030} / _{-0.076} | 76.00 ^{+0.12} / _{+0.00} | 19.44 |
| MRU-60X80X12 | 60 | 80 | 12 | 13.00 ^{+0.30} / _{+0.00} | 60.00 ^{-0.030} / _{-0.076} | 80.00 ^{+0.12} / _{+0.00} | 18.74 |
| MRU-63X73X12-E | 63 | 73 | 12 | 13.00 ^{+0.30} / _{+0.00} | 63.00 ^{-0.030} / _{-0.076} | 73.00 ^{+0.12} / _{+0.00} | 12.16 |

ROD U-SEALS

FORMERLY LISTED SEALS ARE AVAILABLE ONLINE AT WWW.HERCULESUS.COM
OR BY CONTACTING YOUR REGIONAL HERCULES SALES TEAM.



STYLE MRU ROD U-SEALS

| Part Number | A Nom. ID | B Nom. OD | C Nom. Ht | D GROOVE WIDTH | E ROD DIAMETER | G HOUSING DIAMETER | List Price |
|-------------------|--------------|--------------|--------------|-------------------------|---------------------------|----------------------------|---------------|
| MRU-63X75X8.7-ME | 63 | 75 | 8.7 | 9.60 +0.20 +0.00 | 63.00 -0.030 -0.076 | 75.00 +67.926 +0.000 | 11.12 |
| MRU-63X78X10-E | 63 | 78 | 10 | 11.00 +0.30 +0.00 | 63.00 -0.030 -0.076 | 78.00 +0.12 +0.00 | 12.16 |
| MRU-63X78X11.4-ME | 63 | 78 | 11.4 | 12.50 +0.20 +0.00 | 63.00 -0.030 -0.076 | 78.00 +0.19 +0.00 | 11.60 |
| MRU-63X79X11.5-GT | 63 | 79 | 11.5 | 12.50 +0.30 +0.00 | 63.00 -0.030 -0.076 | 79.00 +0.12 +0.00 | 39.32 |
| MRU-63X83X12 | 63 | 83 | 12 | 13.00 +0.30 +0.00 | 63.00 -0.030 -0.076 | 83.00 +0.14 +0.00 | 21.17 |
| MRU-65X75X6 | 65 | 75 | 6 | 6.50 +0.30 +0.00 | 65.00 -0.030 -0.076 | 75.00 +0.12 +0.00 | 14.87 |
| MRU-65X77X8.7-ME | 65 | 77 | 8.7 | 9.60 +0.20 +0.00 | 65.00 -0.030 -0.076 | 77.00 +0.19 +0.00 | 12.74 |
| MRU-65X78X10 | 65 | 78 | 10 | 11.00 +0.30 +0.00 | 65.00 -0.030 -0.076 | 78.00 +0.12 +0.00 | 19.60 |
| MRU-65X78X10-A | 65 | 78 | 10 | 11.00 +0.30 +0.00 | 65.00 -0.030 -0.076 | 78.00 +0.12 +0.00 | 4.30 |
| MRU-65X80X9 | 65 | 80 | 9 | 10.00 +0.30 +0.00 | 65.00 -0.030 -0.076 | 80.00 +0.12 +0.00 | 18.42 |
| MRU-65X80X10-E | 65 | 80 | 10 | 11.00 +0.30 +0.00 | 65.00 -0.030 -0.076 | 80.00 +0.12 +0.00 | 11.75 |
| MRU-65X80X11.4-ME | 65 | 80 | 11.4 | 12.50 +0.20 +0.00 | 65.00 -0.030 -0.076 | 80.00 +0.19 +0.00 | 13.52 |
| MRU-65X85X12 | 65 | 85 | 12 | 13.00 +0.30 +0.00 | 65.00 -0.030 -0.076 | 85.00 +0.14 +0.00 | 24.64 |
| MRU-70X80X7-E | 70 | 80 | 7 | 8.00 +0.30 +0.00 | 70.00 -0.030 -0.076 | 80.00 +0.12 +0.00 | 13.24 |
| MRU-70X80X11.8-ME | 70 | 80 | 11.8 | 13.00 +0.20 +0.00 | 70.00 -0.030 -0.076 | 80.00 +0.19 +0.00 | 12.74 |
| MRU-70X82X8.7-ME | 70 | 82 | 8.7 | 9.50 +0.30 +0.00 | 70.00 -0.030 -0.076 | 82.00 +0.14 +0.00 | 15.29 |
| MRU-70X83X10 | 70 | 83 | 10 | 11.00 +0.30 +0.00 | 70.00 -0.030 -0.076 | 83.00 +0.14 +0.00 | 19.27 |
| MRU-70X85X9 | 70 | 85 | 9 | 10.00 +0.30 +0.00 | 70.00 -0.030 -0.076 | 85.00 +0.14 +0.00 | 20.92 |
| MRU-70X85X10-E | 70 | 85 | 10 | 11.00 +0.30 +0.00 | 70.00 -0.030 -0.076 | 85.00 +0.14 +0.00 | 10.83 |
| MRU-70X85X10-ME | 70 | 85 | 10 | 11.00 +0.20 +0.00 | 70.00 -0.030 -0.076 | 85.00 +0.22 +0.00 | 15.29 |
| MRU-70X85X11.4-ME | 70 | 85 | 11.4 | 12.50 +0.20 +0.00 | 70.00 -0.030 -0.076 | 85.00 +0.22 +0.00 | 13.93 |
| MRU-70X85X12-E | 70 | 85 | 12 | 13.00 +0.30 +0.00 | 70.00 -0.030 -0.076 | 85.00 +0.14 +0.00 | 10.96 |
| MRU-70X90X12 | 70 | 90 | 12 | 13.00 +0.30 +0.00 | 70.00 -0.030 -0.076 | 90.00 +0.14 +0.00 | 25.13 |
| MRU-75X85X6-A | 75 | 85 | 6 | 6.50 +0.30 +0.00 | 75.00 -0.030 -0.076 | 85.00 +0.14 +0.00 | 3.20 |
| MRU-75X85X6.3 | 75 | 85 | 6.3 | 7.00 +0.30 +0.00 | 75.00 -0.030 -0.076 | 85.00 +0.14 +0.00 | 30.70 |
| MRU-75X85X7-E | 75 | 85 | 7 | 8.00 +0.30 +0.00 | 75.00 -0.030 -0.076 | 85.00 +0.14 +0.00 | 8.98 |
| MRU-75X85X12-E | 75 | 85 | 12 | 13.00 +0.30 +0.00 | 75.00 -0.030 -0.076 | 85.00 +0.14 +0.00 | 9.33 |
| MRU-75X88X10 | 75 | 88 | 10 | 11.00 +0.30 +0.00 | 75.00 -0.030 -0.076 | 88.00 +0.14 +0.00 | 23.45 |
| MRU-75X90X9 | 75 | 90 | 9 | 10.00 +0.30 +0.00 | 75.00 -0.030 -0.076 | 90.00 +0.14 +0.00 | 23.04 |
| MRU-75X90X10-E | 75 | 90 | 10 | 11.00 +0.30 +0.00 | 75.00 -0.030 -0.076 | 90.00 +0.14 +0.00 | 10.83 |
| MRU-75X90X10-ME | 75 | 90 | 10 | 11.00 +0.20 +0.00 | 75.00 -0.030 -0.076 | 90.00 +0.22 +0.00 | 16.25 |
| MRU-75X90X11.4-ME | 75 | 90 | 11.4 | 12.50 +0.30 +0.00 | 75.00 -0.030 -0.076 | 90.00 +0.14 +0.00 | 26.40 |
| MRU-75X95X12 | 75 | 95 | 12 | 13.00 +0.30 +0.00 | 75.00 -0.030 -0.076 | 95.00 +0.14 +0.00 | 25.33 |

NORTH AMERICA
PHONE 1-800-777-5617
FAX 1-800-759-6391

SALES OFFICE HOURS
8 A.M. TO 7:30 P.M. EASTERN TIME
www.HerculesUS.com

WORLDWIDE
PHONE 1-727-796-1300
FAX 1-727-797-8849



STYLE MRU ROD U-SEALS

| Part Number | A Nom. ID | B Nom. OD | C Nom. Ht | D GROOVE WIDTH | E ROD DIAMETER | G HOUSING DIAMETER | List Price |
|---------------------|--------------|--------------|--------------|-------------------------|----------------------------|--------------------------|---------------|
| MRU-80X92X8.7-ME | 80 | 92 | 8.7 | 9.60 +0.20 +0.00 | 80.00 -0.030 -0.076 | 92.00 +0.22 +0.00 | 17.52 |
| MRU-80X93X10 | 80 | 93 | 10 | 11.00 +0.30 +0.00 | 80.00 -0.030 -0.076 | 93.00 +0.14 +0.00 | 25.66 |
| MRU-80X95X9 | 80 | 95 | 9 | 10.00 +0.30 +0.00 | 80.00 -0.030 -0.076 | 95.00 +0.14 +0.00 | 25.66 |
| MRU-80X95X10 | 80 | 95 | 10 | 11.00 +0.30 +0.00 | 80.00 -0.030 -0.076 | 95.00 +0.14 +0.00 | 26.43 |
| MRU-80X95X11.4-ME | 80 | 95 | 11.4 | 12.50 +0.20 +0.00 | 80.00 -0.030 -0.076 | 95.00 +0.22 +0.00 | 15.96 |
| MRU-80X95X11.5-E | 80 | 95 | 11.5 | 12.50 +0.30 +0.00 | 80.00 -0.030 -0.076 | 95.00 +0.14 +0.00 | 11.35 |
| MRU-80X100X12 | 80 | 100 | 12 | 13.00 +0.30 +0.00 | 80.00 -0.030 -0.076 | 100.00 +0.14 +0.00 | 27.86 |
| MRU-85X100X9 | 85 | 100 | 9 | 10.00 +0.30 +0.00 | 85.00 -0.036 -0.090 | 100.00 +0.14 +0.00 | 27.86 |
| MRU-85X100X10 | 85 | 100 | 10 | 11.00 +0.30 +0.00 | 85.00 -0.036 -0.090 | 100.00 +0.14 +0.00 | 27.96 |
| MRU-85X100X11.4-ME | 85 | 100 | 11.4 | 12.50 +0.30 +0.00 | 85.00 -0.036 -0.090 | 100.00 +0.14 +0.00 | 20.61 |
| MRU-85X105X12 | 85 | 105 | 12 | 13.00 +0.30 +0.00 | 85.00 -0.036 -0.090 | 105.00 +0.14 +0.00 | 28.84 |
| MRU-90X102X8.7-ME | 90 | 102 | 8.7 | 9.60 +0.20 +0.00 | 90.00 -0.036 -0.090 | 102.00 +0.22 +0.00 | 20.81 |
| MRU-90X105X9 | 90 | 105 | 9 | 10.00 +0.30 +0.00 | 90.00 -0.036 -0.090 | 105.00 +0.14 +0.00 | 29.33 |
| MRU-90X105X10 | 90 | 105 | 10 | 11.00 +0.30 +0.00 | 90.00 -0.036 -0.090 | 105.00 +0.14 +0.00 | 29.65 |
| MRU-90X105X11.4-ME | 90 | 105 | 11.4 | 12.50 +0.20 +0.00 | 90.00 -0.036 -0.090 | 105.00 +0.22 +0.00 | 22.09 |
| MRU-90X105X11.5-E | 90 | 105 | 11.5 | 12.50 +0.30 +0.00 | 90.00 -0.036 -0.090 | 105.00 +0.14 +0.00 | 15.97 |
| MRU-90X110X12 | 90 | 110 | 12 | 13.00 +0.30 +0.00 | 90.00 -0.036 -0.090 | 110.00 +0.14 +0.00 | 26.10 |
| MRU-90X110X15-E | 90 | 110 | 15 | 16.50 +0.30 +0.00 | 90.00 -0.036 -0.090 | 110.00 +0.14 +0.00 | 12.70 |
| MRU-95X110X9 | 95 | 110 | 9 | 10.00 +0.30 +0.00 | 95.00 -0.036 -0.090 | 110.00 +0.14 +0.00 | 31.03 |
| MRU-95X110X10 | 95 | 110 | 10 | 11.00 +0.30 +0.00 | 95.00 -0.036 -0.090 | 110.00 +0.14 +0.00 | 31.03 |
| MRU-95X115X12 | 95 | 115 | 12 | 13.00 +0.30 +0.00 | 95.00 -0.036 -0.090 | 115.00 +0.14 +0.00 | 31.30 |
| MRU-100X113X12.5-E | 100 | 113 | 12.5 | 14.00 +0.30 +0.00 | 100.00 -0.036 -0.090 | 113.00 +0.14 +0.00 | 21.06 |
| MRU-100X115X10 | 100 | 115 | 10 | 11.00 +0.30 +0.00 | 100.00 -0.036 -0.090 | 115.00 +0.14 +0.00 | 23.72 |
| MRU-100X115X11.4-ME | 100 | 115 | 11.4 | 12.50 +0.20 +0.00 | 100.00 -0.036 -0.090 | 115.00 +0.22 +0.00 | 25.47 |
| MRU-100X115X12-E | 100 | 115 | 12 | 13.00 +0.30 +0.00 | 100.00 -0.036 -0.090 | 115.00 +0.14 +0.00 | 12.70 |
| MRU-100X120X12 | 100 | 120 | 12 | 13.00 +0.30 +0.00 | 100.00 -0.036 -0.090 | 120.00 +0.14 +0.00 | 33.93 |
| MRU-100X120X15-E | 100 | 120 | 15 | 16.50 +0.30 +0.00 | 100.00 -0.036 -0.090 | 120.00 +0.14 +0.00 | 12.85 |
| MRU-105X120X9 | 105 | 120 | 9 | 10.00 +0.30 +0.00 | 105.00 -0.036 -0.090 | 120.00 +0.14 +0.00 | 38.07 |
| MRU-105X120X10 | 105 | 120 | 10 | 11.00 +0.30 +0.00 | 105.00 -0.036 -0.090 | 120.00 +0.14 +0.00 | 38.84 |
| MRU-105X125X12 | 105 | 125 | 12 | 13.00 +0.30 +0.00 | 105.00 -0.036 -0.090 | 125.00 +0.16 +0.00 | 42.16 |
| MRU-105X125X15 | 105 | 125 | 15 | 16.50 +0.30 +0.00 | 105.00 -0.036 -0.090 | 125.00 +0.16 +0.00 | 40.80 |
| MRU-110X125X9 | 110 | 125 | 9 | 10.00 +0.30 +0.00 | 110.00 -0.036 -0.090 | 125.00 +0.16 +0.00 | 43.12 |
| MRU-110X125X9-A | 110 | 125 | 9 | 10.00 +0.30 +0.00 | 110.00 -0.036 -0.090 | 125.00 +0.16 +0.00 | 7.66 |

ROD U-SEALS

FORMERLY LISTED SEALS ARE AVAILABLE ONLINE AT WWW.HERCULESUS.COM
OR BY CONTACTING YOUR REGIONAL HERCULES SALES TEAM.



STYLE MRU ROD U-SEALS

ROD U-SEALS

| Part Number | A Nom. ID | B Nom. OD | C Nom. Ht | D GROOVE WIDTH | E ROD DIAMETER | G HOUSING DIAMETER | List Price |
|---------------------|--------------|--------------|--------------|---|--|--|---------------|
| MRU-110X125X10 | 110 | 125 | 10 | 11.00 ^{+0.30} / _{+0.00} | 110.00 ^{-0.036} / _{-0.090} | 125.00 ^{+0.16} / _{+0.00} | 43.89 |
| MRU-110X125X10.9-ME | 110 | 125 | 10.9 | 12.00 ^{+0.20} / _{+0.00} | 110.00 ^{-0.036} / _{-0.090} | 125.00 ^{+0.25} / _{+0.00} | 28.96 |
| MRU-110X130X10 | 110 | 130 | 10 | 11.00 ^{+0.30} / _{+0.00} | 110.00 ^{-0.036} / _{-0.090} | 130.00 ^{+0.16} / _{+0.00} | 44.72 |
| MRU-110X130X12 | 110 | 130 | 12 | 13.00 ^{+0.30} / _{+0.00} | 110.00 ^{-0.036} / _{-0.090} | 130.00 ^{+0.16} / _{+0.00} | 47.25 |
| MRU-110X130X13 | 110 | 130 | 13 | 14.50 ^{+0.30} / _{+0.00} | 110.00 ^{-0.036} / _{-0.090} | 130.00 ^{+0.16} / _{+0.00} | 47.25 |
| MRU-110X130X15 | 110 | 130 | 15 | 16.50 ^{+0.30} / _{+0.00} | 110.00 ^{-0.036} / _{-0.090} | 130.00 ^{+0.16} / _{+0.00} | 48.96 |
| MRU-112X127X10 | 112 | 127 | 10 | 11.00 ^{+0.30} / _{+0.00} | 112.00 ^{-0.036} / _{-0.090} | 127.00 ^{+0.16} / _{+0.00} | 74.73 |
| MRU-115X130X9 | 115 | 130 | 9 | 10.00 ^{+0.30} / _{+0.00} | 115.00 ^{-0.036} / _{-0.090} | 130.00 ^{+0.16} / _{+0.00} | 47.13 |
| MRU-115X130X10 | 115 | 130 | 10 | 11.00 ^{+0.30} / _{+0.00} | 115.00 ^{-0.036} / _{-0.090} | 130.00 ^{+0.16} / _{+0.00} | 73.56 |
| MRU-115X135X12 | 115 | 135 | 12 | 13.00 ^{+0.30} / _{+0.00} | 115.00 ^{-0.036} / _{-0.090} | 135.00 ^{+0.16} / _{+0.00} | 45.87 |
| MRU-118X133X9 | 118 | 133 | 9 | 10.00 ^{+0.30} / _{+0.00} | 118.00 ^{-0.036} / _{-0.090} | 133.00 ^{+0.16} / _{+0.00} | 33.01 |
| MRU-120X135X9 | 120 | 135 | 9 | 10.00 ^{+0.30} / _{+0.00} | 120.00 ^{-0.036} / _{-0.090} | 135.00 ^{+0.16} / _{+0.00} | 48.24 |
| MRU-120X140X10 | 120 | 140 | 10 | 11.00 ^{+0.30} / _{+0.00} | 120.00 ^{-0.036} / _{-0.090} | 140.00 ^{+0.16} / _{+0.00} | 53.04 |
| MRU-120X140X12 | 120 | 140 | 12 | 13.00 ^{+0.30} / _{+0.00} | 120.00 ^{-0.036} / _{-0.090} | 140.00 ^{+0.16} / _{+0.00} | 55.88 |
| MRU-120X140X13 | 120 | 140 | 13 | 14.50 ^{+0.30} / _{+0.00} | 120.00 ^{-0.036} / _{-0.090} | 140.00 ^{+0.16} / _{+0.00} | 55.88 |
| MRU-120X140X14.6-ME | 120 | 140 | 14.6 | 16.00 ^{+0.20} / _{+0.00} | 120.00 ^{-0.036} / _{-0.090} | 140.00 ^{+0.25} / _{+0.00} | 33.13 |
| MRU-120X140X15 | 120 | 140 | 15 | 16.50 ^{+0.30} / _{+0.00} | 120.00 ^{-0.036} / _{-0.090} | 140.00 ^{+0.16} / _{+0.00} | 45.38 |
| MRU-125X140X10.9-ME | 125 | 140 | 10.9 | 12.00 ^{+0.20} / _{+0.00} | 125.00 ^{-0.043} / _{-0.106} | 140.00 ^{+0.25} / _{+0.00} | 35.16 |
| MRU-125X145X12 | 125 | 145 | 12 | 13.00 ^{+0.30} / _{+0.00} | 125.00 ^{-0.043} / _{-0.106} | 145.00 ^{+0.16} / _{+0.00} | 52.28 |
| MRU-130X145X9 | 130 | 145 | 9 | 10.00 ^{+0.30} / _{+0.00} | 130.00 ^{-0.043} / _{-0.106} | 145.00 ^{+0.16} / _{+0.00} | 45.28 |
| MRU-130X150X12 | 130 | 150 | 12 | 13.00 ^{+0.30} / _{+0.00} | 130.00 ^{-0.043} / _{-0.106} | 150.00 ^{+0.16} / _{+0.00} | 53.33 |
| MRU-130X150X13 | 130 | 150 | 13 | 14.50 ^{+0.30} / _{+0.00} | 130.00 ^{-0.043} / _{-0.106} | 150.00 ^{+0.16} / _{+0.00} | 58.98 |
| MRU-130X150X16 | 130 | 150 | 16 | 17.00 ^{+0.30} / _{+0.00} | 130.00 ^{-0.043} / _{-0.106} | 150.00 ^{+0.16} / _{+0.00} | 65.03 |
| MRU-135X150X9-A | 135 | 150 | 9 | 10.00 ^{+0.30} / _{+0.00} | 135.00 ^{-0.043} / _{-0.106} | 150.00 ^{+0.16} / _{+0.00} | 7.66 |
| MRU-140X155X9 | 140 | 155 | 9 | 10.00 ^{+0.30} / _{+0.00} | 140.00 ^{-0.043} / _{-0.106} | 155.00 ^{+0.16} / _{+0.00} | 35.90 |
| MRU-140X160X12 | 140 | 160 | 12 | 13.00 ^{+0.30} / _{+0.00} | 140.00 ^{-0.043} / _{-0.106} | 160.00 ^{+0.16} / _{+0.00} | 65.52 |
| MRU-140X160X14.6-ME | 140 | 160 | 14.6 | 16.00 ^{+0.20} / _{+0.00} | 140.00 ^{-0.043} / _{-0.106} | 160.00 ^{+0.25} / _{+0.00} | 48.81 |
| MRU-145X160X9-A | 145 | 160 | 9 | 10.00 ^{+0.30} / _{+0.00} | 145.00 ^{-0.043} / _{-0.106} | 160.00 ^{+0.16} / _{+0.00} | 8.14 |
| MRU-150X170X12 | 150 | 170 | 12 | 13.00 ^{+0.30} / _{+0.00} | 150.00 ^{-0.043} / _{-0.106} | 170.00 ^{+0.16} / _{+0.00} | 95.69 |
| MRU-150X170X14.6-ME | 150 | 170 | 14.6 | 16.00 ^{+0.20} / _{+0.00} | 150.00 ^{-0.043} / _{-0.106} | 170.00 ^{+0.25} / _{+0.00} | 53.31 |
| MRU-150X170X16 | 150 | 170 | 16 | 17.00 ^{+0.30} / _{+0.00} | 150.00 ^{-0.043} / _{-0.106} | 170.00 ^{+0.16} / _{+0.00} | 76.57 |
| MRU-155X170X9-A | 155 | 170 | 9 | 10.00 ^{+0.30} / _{+0.00} | 155.00 ^{-0.043} / _{-0.106} | 170.00 ^{+0.16} / _{+0.00} | 8.70 |
| MRU-155X175X9 | 155 | 175 | 9 | 10.00 ^{+0.30} / _{+0.00} | 155.00 ^{-0.043} / _{-0.106} | 175.00 ^{+0.16} / _{+0.00} | 212.45 |



STYLE MRU ROD U-SEALS

| Part Number | A Nom. ID | B Nom. OD | C Nom. Ht | D GROOVE WIDTH | E ROD DIAMETER | G HOUSING DIAMETER | List Price |
|---------------------|--------------|--------------|--------------|---|--|--|---------------|
| MRU-160X180X12 | 160 | 180 | 12 | 13.00 ^{+0.30} / _{+0.00} | 160.00 ^{-0.043} / _{-0.106} | 180.00 ^{+0.16} / _{+0.00} | 85.89 |
| MRU-160X180X12-BHT | 160 | 180 | 12 | 13.00 ^{+0.30} / _{+0.00} | 160.00 ^{-0.043} / _{-0.106} | 180.00 ^{+0.16} / _{+0.00} | 86.61 |
| MRU-160X180X15 | 160 | 180 | 15 | 16.00 ^{+0.30} / _{+0.00} | 160.00 ^{-0.043} / _{-0.106} | 180.00 ^{+0.16} / _{+0.00} | 81.87 |
| MRU-160X185X16 | 160 | 185 | 16 | 17.00 ^{+0.30} / _{+0.00} | 160.00 ^{-0.043} / _{-0.106} | 185.00 ^{+0.185} / _{+0.000} | 81.27 |
| MRU-170X190X12-E | 170 | 190 | 12 | 13.00 ^{+0.30} / _{+0.00} | 170.00 ^{-0.043} / _{-0.106} | 190.00 ^{+0.185} / _{+0.000} | 25.23 |
| MRU-170X195X16 | 170 | 195 | 16 | 17.00 ^{+0.30} / _{+0.00} | 170.00 ^{-0.043} / _{-0.106} | 195.00 ^{+0.185} / _{+0.000} | 129.44 |
| MRU-180X200X14.6-ME | 180 | 200 | 14.6 | 16.00 ^{+0.20} / _{+0.00} | 180.00 ^{-0.043} / _{-0.106} | 200.00 ^{+0.29} / _{+0.00} | 66.37 |
| MRU-180X205X16 | 180 | 205 | 16 | 17.00 ^{+0.30} / _{+0.00} | 180.00 ^{-0.043} / _{-0.106} | 205.00 ^{+0.185} / _{+0.000} | 134.28 |
| MRU-200X225X16 | 200 | 225 | 16 | 17.00 ^{+0.30} / _{+0.00} | 200.00 ^{-0.050} / _{-0.122} | 225.00 ^{+0.185} / _{+0.000} | 154.00 |

ROD U-SEALS

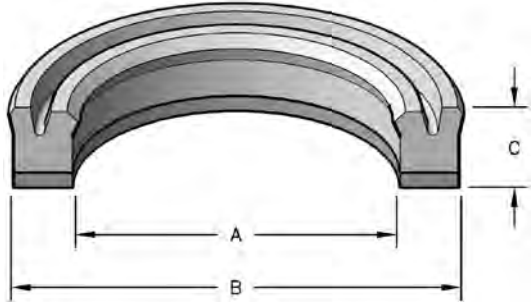
Seal color may vary. Special order sizes are available. Sizes not shown and out of stock items can also be ordered for next day delivery through Seals On Demand, our custom seal program. Please call your regional sales team for assistance.

FORMERLY LISTED SEALS ARE AVAILABLE ONLINE AT WWW.HERCULESUS.COM
OR BY CONTACTING YOUR REGIONAL HERCULES SALES TEAM.



STYLE MRUB ROD U-SEALS W/BACK-UP RINGS

Molded in a tough urethane, this rod u-seal fits tightly in the groove while providing increased radial force on the rod. The employment of a nylon back-up makes it highly extrusion resistant. GT= GREEN TWEED SEAL



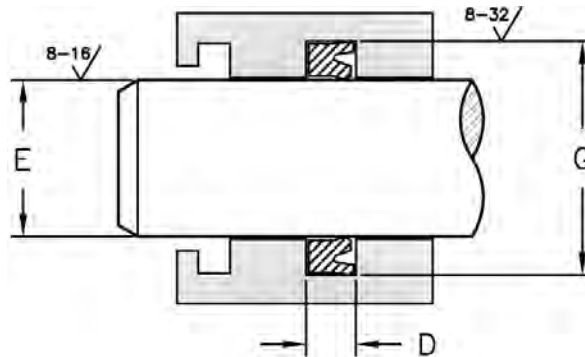
HERCULES PART NUMBERS

MRUB - 50 x 63 x 13

Type of Seal Inside Diameter Outside Diameter Height

SEAL INFORMATION

| | |
|-------------------|--------------------------------|
| MATERIAL | URETHANE SEAL NYLON BACK-UP |
| TEMPERATURE RANGE | -65° TO +220° F |
| PRESSURE RANGE | 0 TO 5,500 PSI |
| SPEED | 3 FT/SEC |



ROD U-SEALS

| Part Number | A Nom. ID | B Nom. OD | C Nom. Ht | D GROOVE WIDTH | E ROD DIAMETER | G HOUSING DIAMETER | List Price |
|--------------------|--------------|--------------|--------------|-------------------------|----------------------------|--------------------------|---------------|
| MRUB-50X63X13 | 50 | 63 | 13 | 14.00 +0.30 +0.00 | 50.00 -0.025 -0.064 | 63.00 +0.12 +0.00 | \$30.35 |
| MRUB-55X68X13 | 55 | 68 | 13 | 14.00 +0.30 +0.00 | 55.00 -0.030 -0.076 | 68.00 +0.12 +0.00 | 35.29 |
| MRUB-60X73X13.2 | 60 | 73 | 13.2 | 14.00 +0.30 +0.00 | 60.00 -0.030 -0.076 | 73.00 +0.12 +0.00 | 30.77 |
| MRUB-63X78X11.5-GT | 63 | 78 | 11.5 | 12.50 +0.30 +0.00 | 63.00 -0.030 -0.076 | 78.00 +0.12 +0.00 | 84.42 |
| MRUB-65X78X13.2 | 65 | 78 | 13.2 | 14.00 +0.30 +0.00 | 65.00 -0.030 -0.076 | 78.00 +0.12 +0.00 | 31.32 |
| MRUB-65X80X12 | 65 | 80 | 12 | 13.00 +0.30 +0.00 | 65.00 -0.030 -0.076 | 80.00 +0.12 +0.00 | 21.66 |
| MRUB-70X83X13.2 | 70 | 83 | 13.2 | 14.00 +0.30 +0.00 | 70.00 -0.030 -0.076 | 83.00 +0.14 +0.00 | 32.81 |
| MRUB-70X86X11.5-GT | 70 | 86 | 11.5 | 12.50 +0.30 +0.00 | 70.00 -0.030 -0.076 | 86.00 +0.14 +0.00 | 95.59 |
| MRUB-75X88X13.2 | 75 | 88 | 13.2 | 14.00 +0.30 +0.00 | 75.00 -0.030 -0.076 | 88.00 +0.14 +0.00 | 35.46 |
| MRUB-80X93X13.2 | 80 | 93 | 13.2 | 14.00 +0.30 +0.00 | 80.00 -0.030 -0.076 | 93.00 +0.14 +0.00 | 36.61 |
| MRUB-80X95X12 | 80 | 95 | 12 | 13.00 +0.30 +0.00 | 80.00 -0.030 -0.076 | 95.00 +0.14 +0.00 | 32.35 |
| MRUB-85X100X13.2 | 85 | 100 | 13.2 | 14.00 +0.30 +0.00 | 85.00 -0.036 -0.090 | 100.00 +0.14 +0.00 | 39.52 |
| MRUB-90X105X13.2 | 90 | 105 | 13.2 | 14.00 +0.30 +0.00 | 90.00 -0.036 -0.090 | 105.00 +0.14 +0.00 | 42.03 |
| MRUB-95X110X13.2 | 95 | 110 | 13.2 | 14.00 +0.30 +0.00 | 95.00 -0.036 -0.090 | 110.00 +0.14 +0.00 | 43.92 |
| MRUB-100X115X13.2 | 100 | 115 | 13.2 | 14.00 +0.30 +0.00 | 100.00 -0.036 -0.090 | 115.00 +0.14 +0.00 | 44.37 |

NORTH AMERICA
PHONE 1-800-777-5617
FAX 1-800-759-6391

SALES OFFICE HOURS
8 A.M. TO 7:30 P.M. EASTERN TIME
www.HerculesUS.com

WORLDWIDE
PHONE 1-727-796-1300
FAX 1-727-797-8849

**STYLE MRUB ROD U-SEALS W/BACK-UP RINGS**

| Part Number | A Nom. ID | B Nom. OD | C Nom. Ht | D GROOVE WIDTH | E ROD DIAMETER | G HOUSING DIAMETER | List Price |
|-------------------|--------------|--------------|--------------|-------------------------|----------------------------|----------------------------|---------------|
| MRUB-105X120X12 | 105 | 120 | 12 | 13.00 +0.30 +0.00 | 105.00 -0.036 -0.090 | 120.00 +0.14 +0.00 | 39.98 |
| MRUB-110X130X13 | 110 | 130 | 13 | 14.00 +0.30 +0.00 | 110.00 -0.036 -0.090 | 130.00 +0.16 +0.00 | 60.37 |
| MRUB-130X150X16 | 130 | 150 | 16 | 17.00 +0.30 +0.00 | 130.00 -0.043 -0.106 | 150.00 +0.16 +0.00 | 65.28 |
| MRUB-140X160X15 | 140 | 160 | 15 | 16.00 +0.30 +0.00 | 140.00 -0.043 -0.106 | 160.00 +0.16 +0.00 | 57.85 |
| MRUB-160X185X19.5 | 160 | 185 | 19.5 | 20.50 +0.30 +0.00 | 160.00 -0.043 -0.106 | 185.00 +0.185 +0.000 | 117.06 |
| MRUB-180X205X19.5 | 180 | 205 | 19.5 | 20.50 +0.30 +0.00 | 180.00 -0.043 -0.106 | 205.00 +0.185 +0.000 | 160.24 |
| MRUB-200X225X20 | 200 | 225 | 20 | 21.00 +0.30 +0.00 | 200.00 -0.050 -0.122 | 225.00 +0.185 +0.000 | 203.22 |

Online Ordering Available!
Go to www.HerculesUS.com -
Place Your Order Today.

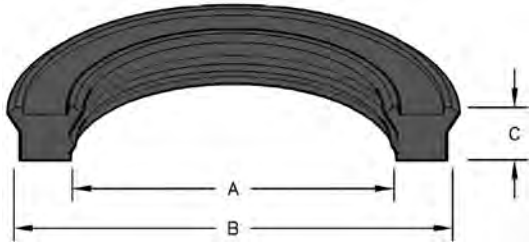
Web Features Include:
Real-Time Inventory, Search by Size,
Search by Machine Type,
Part Substitution, Billing Portal,
Large Order Upload, Wish List
and Much More.

ROD U-SEALS



STYLE MRTS, MUTS & MRTSB ROD U-SEALS

Designed specifically for rod applications, the short lip design and solid 'U' cavity provide high sealability at low pressure. At the heel, a secondary lip provides stability, friction-reducing lube retention, and some contamination resistance.



HERCULES PART NUMBERS

MRTS - 12 x 19 x 5

Type of Seal: MRTS
Inside Diameter: 12
Outside Diameter: 19
Height: 5



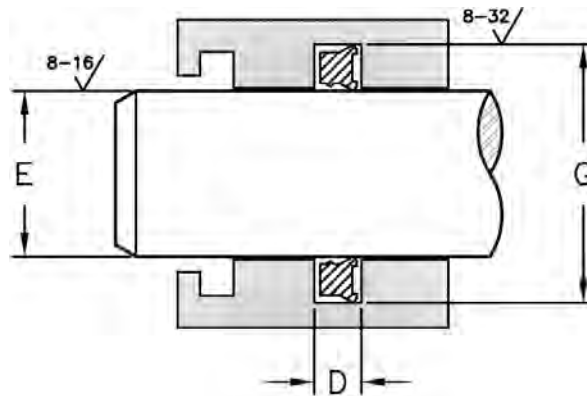
MRTS

MUTS

MRTSB

SEAL INFORMATION

| | |
|-------------------|-----------------|
| MATERIAL | URETHANE |
| TEMPERATURE RANGE | -22° TO +212° F |
| PRESSURE RANGE | 0 TO 5,000 PSI |
| SPEED | 3 FT/SEC |



| Part Number | A Nom. ID | B Nom. OD | C Nom. Ht | D GROOVE WIDTH | E ROD DIAMETER | G HOUSING DIAMETER | List Price |
|----------------|--------------|--------------|--------------|------------------------|---------------------------|---------------------------|---------------|
| MRTS-12X19X5 | 12 | 19 | 5 | 6.00 +0.20 +0.00 | 12.00 -0.016 -0.043 | 19.00 +0.084 +0.000 | \$10.04 |
| MRTS-12X20X5.8 | 12 | 20 | 5.8 | 6.30 +0.20 +0.00 | 12.00 -0.016 -0.043 | 20.00 ±0.042 | 4.88 |
| MRTS-14X21X5 | 14 | 21 | 5 | 6.00 +0.20 +0.00 | 14.00 -0.016 -0.043 | 21.00 +0.084 +0.000 | 3.78 |
| MRTS-16X24X6 | 16 | 24 | 6 | 6.50 +0.20 +0.00 | 16.00 -0.016 -0.043 | 24.00 ±0.042 | 5.17 |
| MRTS-18X25X5 | 18 | 25 | 5 | 5.50 +0.20 +0.00 | 18.00 -0.016 -0.043 | 25.00 ±0.042 | 5.76 |
| MRTS-18X26X5.8 | 18 | 26 | 5.8 | 6.30 +0.20 +0.00 | 18.00 -0.016 -0.043 | 26.00 ±0.042 | 5.98 |
| MRTS-20X28X6.5 | 20 | 28 | 6.5 | 7.00 +0.20 +0.00 | 20.00 -0.020 -0.053 | 28.00 ±0.042 | 6.05 |
| MRTS-22X28X4.5 | 22 | 28 | 4.5 | 5.00 +0.20 +0.00 | 22.00 -0.020 -0.053 | 28.00 ±0.042 | 6.04 |
| MRTS-22X29X5 | 22 | 29 | 5 | 6.00 +0.20 +0.00 | 22.00 -0.020 -0.053 | 29.00 +0.084 +0.000 | 9.87 |
| MRTS-22X30X5.8 | 22 | 30 | 5.8 | 6.30 +0.20 +0.00 | 22.00 -0.020 -0.053 | 30.00 ±0.042 | 5.89 |
| MRTS-22X32X7 | 22 | 32 | 7 | 7.50 +0.20 +0.00 | 22.00 -0.020 -0.053 | 32.00 ±0.05 | 6.04 |
| MRTS-25X33X5.8 | 25 | 33 | 5.8 | 6.30 +0.20 +0.00 | 25.00 -0.020 -0.053 | 33.00 ±0.05 | 6.49 |
| MRTS-25X35X5.8 | 25 | 35 | 5.8 | 6.30 +0.20 +0.00 | 25.00 -0.020 -0.053 | 35.00 ±0.05 | 6.49 |
| MRTS-25X35X7 | 25 | 35 | 7 | 7.50 +0.20 +0.00 | 25.00 -0.020 -0.053 | 35.00 ±0.05 | 6.24 |

NORTH AMERICA
PHONE 1-800-777-5617
FAX 1-800-759-6391

SALES OFFICE HOURS
8 A.M. TO 7:30 P.M. EASTERN TIME
www.HerculesUS.com

WORLDWIDE
PHONE 1-727-796-1300
FAX 1-727-797-8849



STYLE MRTS, MUTS & MRTSB ROD U-SEALS

| Part Number | A Nom. ID | B Nom. OD | C Nom. Ht | D GROOVE WIDTH | E ROD DIAMETER | G HOUSING DIAMETER | List Price |
|----------------|--------------|--------------|--------------|---|---|---|---------------|
| MRTS-25X35X8 | 25 | 35 | 8 | 9.00 ^{+0.20} / _{+0.00} | 25.00 ^{-0.020} / _{-0.053} | 35.00 ±0.05 | 6.36 |
| MRTS-28X36X5.8 | 28 | 36 | 5.8 | 6.30 ^{+0.20} / _{+0.00} | 28.00 ^{-0.020} / _{-0.053} | 36.00 ±0.05 | 6.49 |
| MRTS-28X38X7 | 28 | 38 | 7 | 7.50 ^{+0.20} / _{+0.00} | 28.00 ^{-0.020} / _{-0.053} | 38.00 ±0.05 | 6.49 |
| MRTS-30X38X5.8 | 30 | 38 | 5.8 | 6.30 ^{+0.20} / _{+0.00} | 30.00 ^{-0.020} / _{-0.053} | 38.00 ±0.05 | 10.21 |
| MRTS-30X38X8 | 30 | 38 | 8 | 9.00 ^{+0.20} / _{+0.00} | 30.00 ^{-0.020} / _{-0.053} | 38.00 ±0.05 | 6.80 |
| MRTS-30X40X6.5 | 30 | 40 | 6.5 | 7.00 ^{+0.20} / _{+0.00} | 30.00 ^{-0.020} / _{-0.053} | 40.00 ±0.05 | 6.58 |
| MRTS-30X40X10 | 30 | 40 | 10 | 11.00 ^{+0.20} / _{+0.00} | 30.00 ^{-0.020} / _{-0.053} | 40.00 ±0.05 | 7.40 |
| MRTS-32X42X8 | 32 | 42 | 8 | 9.00 ^{+0.20} / _{+0.00} | 32.00 ^{-0.025} / _{-0.064} | 42.00 ±0.05 | 7.16 |
| MRTS-35X43X5.8 | 35 | 43 | 5.8 | 6.30 ^{+0.20} / _{+0.00} | 35.00 ^{-0.025} / _{-0.064} | 43.00 ±0.05 | 6.22 |
| MRTS-35X43X6 | 35 | 43 | 6 | 6.50 ^{+0.20} / _{+0.00} | 35.00 ^{-0.025} / _{-0.064} | 43.00 ±0.05 | 6.19 |
| MRTS-35X43X8 | 35 | 43 | 8 | 9.00 ^{+0.20} / _{+0.00} | 35.00 ^{-0.025} / _{-0.064} | 43.00 ±0.05 | 7.51 |
| MRTS-35X45X7 | 35 | 45 | 7 | 8.00 ^{+0.20} / _{+0.00} | 35.00 ^{-0.025} / _{-0.064} | 45.00 ^{+0.10} / _{+0.00} | 9.82 |
| MRTS-35X45X10 | 35 | 45 | 10 | 11.00 ^{+0.20} / _{+0.00} | 35.00 ^{-0.025} / _{-0.064} | 45.00 ±0.05 | 12.13 |
| MRTS-35X50X10 | 35 | 50 | 10 | 11.00 ^{+0.20} / _{+0.00} | 35.00 ^{-0.025} / _{-0.064} | 50.00 ±0.05 | 7.56 |
| MRTS-36X44X5.7 | 36 | 44 | 5.8 | 6.30 ^{+0.20} / _{+0.00} | 36.00 ^{-0.025} / _{-0.064} | 44.00 ±0.05 | 8.56 |
| MUTS-36X46X10 | 36 | 46 | 10 | 11.00 ^{+0.20} / _{+0.00} | 36.00 ^{-0.025} / _{-0.064} | 46.00 ^{+0.10} / _{+0.00} | 8.83 |
| MRTS-40X48X5.8 | 40 | 48 | 5.8 | 6.30 ^{+0.20} / _{+0.00} | 40.00 ^{-0.025} / _{-0.064} | 48.00 ±0.05 | 7.03 |
| MRTS-40X50X7 | 40 | 50 | 7 | 7.50 ^{+0.20} / _{+0.00} | 40.00 ^{-0.025} / _{-0.064} | 50.00 ±0.05 | 7.56 |
| MRTS-40X50X10 | 40 | 50 | 10 | 11.00 ^{+0.20} / _{+0.00} | 40.00 ^{-0.025} / _{-0.064} | 50.00 ±0.05 | 10.19 |
| MRTSB-40X50X10 | 40 | 50 | 10 | 11.00 ^{+0.20} / _{+0.00} | 40.00 ^{-0.025} / _{-0.064} | 50.00 ±0.05 | 8.09 |
| MRTS-42X52X8 | 42 | 52 | 8 | 9.00 ^{+0.20} / _{+0.00} | 42.00 ^{-0.025} / _{-0.064} | 52.00 ±0.06 | 7.91 |
| MRTS-45X53X5.8 | 45 | 53 | 5.8 | 6.30 ^{+0.20} / _{+0.00} | 45.00 ^{-0.025} / _{-0.064} | 53.00 ^{+0.12} / _{+0.00} | 10.13 |
| MRTS-45X53X8 | 45 | 53 | 8 | 9.00 ^{+0.20} / _{+0.00} | 45.00 ^{-0.025} / _{-0.064} | 53.00 ±0.06 | 10.19 |
| MRTS-45X55X7 | 45 | 55 | 7 | 8.00 ^{+0.25} / _{+0.00} | 45.00 ^{-0.025} / _{-0.064} | 55.00 ±0.06 | 8.32 |
| MRTS-45X55X10 | 45 | 55 | 10 | 11.00 ^{+0.20} / _{+0.00} | 45.00 ^{-0.025} / _{-0.064} | 55.00 ±0.06 | 10.19 |
| MRTS-46X54X8.2 | 46 | 54 | 8.2 | 9.20 ^{+0.20} / _{+0.00} | 46.00 ^{-0.025} / _{-0.064} | 54.00 ±0.06 | 8.32 |
| MRTS-50X60X7 | 50 | 60 | 7 | 7.50 ^{+0.20} / _{+0.00} | 50.00 ^{-0.025} / _{-0.064} | 60.00 ±0.06 | 8.39 |
| MRTS-50X60X9 | 50 | 60 | 9 | 10.00 ^{+0.20} / _{+0.00} | 50.00 ^{-0.025} / _{-0.064} | 60.00 ±0.06 | 8.56 |
| MRTS-50X60X10 | 50 | 60 | 10 | 11.00 ^{+0.20} / _{+0.00} | 50.00 ^{-0.025} / _{-0.064} | 60.00 ±0.06 | 10.19 |
| MUTS-50X60X10 | 50 | 60 | 10 | 11.00 ^{+0.20} / _{+0.00} | 50.00 ^{-0.025} / _{-0.064} | 60.00 ^{+0.12} / _{+0.00} | 10.22 |
| MRTS-50X65X10 | 50 | 65 | 10 | 11.00 ^{+0.20} / _{+0.00} | 50.00 ^{-0.025} / _{-0.064} | 65.00 ±0.06 | 10.15 |
| MRTS-55X65X10 | 55 | 65 | 10 | 11.00 ^{+0.20} / _{+0.00} | 55.00 ^{-0.030} / _{-0.076} | 65.00 ±0.06 | 10.19 |
| MRTS-56X66X6.5 | 56 | 66 | 6.5 | 7.50 ^{+0.20} / _{+0.00} | 56.00 ^{-0.030} / _{-0.076} | 66.00 ^{+0.12} / _{+0.00} | 10.57 |

ROD U-SEALS

FORMERLY LISTED SEALS ARE AVAILABLE ONLINE AT WWW.HERCULESUS.COM
OR BY CONTACTING YOUR REGIONAL HERCULES SALES TEAM.



STYLE MRTS, MUTS & MRTSB ROD U-SEALS

ROD U-SEALS

| Part Number | A Nom. ID | B Nom. OD | C Nom. Ht | D GROOVE WIDTH | E ROD DIAMETER | G HOUSING DIAMETER | List Price |
|-------------------|--------------|--------------|--------------|---|--|---|---------------|
| MRTS-56X71X11.5 | 56 | 71 | 11.5 | 12.50 ^{+0.20} / _{+0.00} | 56.00 ^{-0.030} / _{-0.076} | 71.00 ±0.06 | 11.06 |
| MRTS-60X68X8 | 60 | 68 | 8 | 9.00 ^{+0.20} / _{+0.00} | 60.00 ^{-0.030} / _{-0.076} | 68.00 ±0.06 | 11.06 |
| MUTS-60X68X8 | 60 | 68 | 8 | 9.00 ^{+0.20} / _{+0.00} | 60.00 ^{-0.030} / _{-0.076} | 68.00 ^{+0.12} / _{+0.00} | 11.06 |
| MRTS-60X68X11.5 | 60 | 68 | 11.5 | 12.50 ^{+0.20} / _{+0.00} | 60.00 ^{-0.030} / _{-0.076} | 68.00 ±0.06 | 11.25 |
| MUTS-60X70X7.2 | 60 | 70 | 7.2 | 8.00 ^{+0.20} / _{+0.00} | 60.00 ^{-0.030} / _{-0.076} | 70.00 ^{+0.12} / _{+0.00} | 9.48 |
| MRTS-60X70X11.5 | 60 | 70 | 11.5 | 12.50 ^{+0.20} / _{+0.00} | 60.00 ^{-0.030} / _{-0.076} | 70.00 ±0.06 | 9.59 |
| MUTS-60X70X12 | 60 | 70 | 12 | 13.00 ^{+0.20} / _{+0.00} | 60.00 ^{-0.030} / _{-0.076} | 70.00 ^{+0.12} / _{+0.00} | 10.16 |
| MRTS-60X72X9 | 60 | 72 | 9 | 10.00 ^{+0.20} / _{+0.00} | 60.00 ^{-0.030} / _{-0.076} | 72.00 ±0.06 | 11.06 |
| MRTS-60X75X10 | 60 | 75 | 10 | 11.00 ^{+0.20} / _{+0.00} | 60.00 ^{-0.030} / _{-0.076} | 75.00 ±0.06 | 14.69 |
| MRTS-70X78X8 | 70 | 78 | 8 | 9.00 ^{+0.20} / _{+0.00} | 70.00 ^{-0.030} / _{-0.076} | 78.00 ±0.06 | 18.76 |
| MRTS-70X80X10 | 70 | 80 | 10 | 11.00 ^{+0.20} / _{+0.00} | 70.00 ^{-0.030} / _{-0.076} | 80.00 ±0.06 | 11.39 |
| MRTS-70X85X11.5 | 70 | 85 | 11.5 | 12.50 ^{+0.20} / _{+0.00} | 70.00 ^{-0.030} / _{-0.076} | 85.00 ^{+0.14} / _{+0.00} | 12.25 |
| MRTSB-70X85X12 | 70 | 85 | 12 | 13.00 ^{+0.20} / _{+0.00} | 70.00 ^{-0.030} / _{-0.076} | 85.00 ±0.07 | 10.29 |
| MRTS-75X83X8 | 75 | 83 | 8 | 9.00 ^{+0.20} / _{+0.00} | 75.00 ^{-0.030} / _{-0.076} | 83.00 ±0.07 | 10.81 |
| MRTS-75X85X7 | 75 | 85 | 7 | 7.50 ^{+0.20} / _{+0.00} | 75.00 ^{-0.030} / _{-0.076} | 85.00 ±0.07 | 12.21 |
| MRTS-75X90X10.5 | 75 | 90 | 10.5 | 11.50 ^{+0.20} / _{+0.00} | 75.00 ^{-0.030} / _{-0.076} | 90.00 ±0.07 | 12.29 |
| MRTS-80X88X8 | 80 | 88 | 8 | 9.00 ^{+0.20} / _{+0.00} | 80.00 ^{-0.030} / _{-0.076} | 88.00 ±0.07 | 21.11 |
| MUTS-80X90X12 | 80 | 90 | 12 | 13.00 ^{+0.20} / _{+0.00} | 80.00 ^{-0.030} / _{-0.076} | 90.00 ^{+0.14} / _{+0.00} | 10.63 |
| MRTS-80X92X9 | 80 | 92 | 9 | 10.00 ^{+0.20} / _{+0.00} | 80.00 ^{-0.030} / _{-0.076} | 92.00 ±0.07 | 11.98 |
| MRTS-80X95X11 | 80 | 95 | 11 | 12.00 ^{+0.20} / _{+0.00} | 80.00 ^{-0.030} / _{-0.076} | 95.00 ±0.07 | 12.17 |
| MRTSB-80X95X11.5 | 80 | 95 | 11.5 | 12.50 ^{+0.20} / _{+0.00} | 80.00 ^{-0.030} / _{-0.076} | 95.00 ±0.07 | 10.48 |
| MRTS-80X96X9.5 | 80 | 96 | 9.5 | 10.50 ^{+0.20} / _{+0.00} | 80.00 ^{-0.030} / _{-0.076} | 96.00 ±0.07 | 10.93 |
| MRTS-85X93X8 | 85 | 93 | 8 | 9.00 ^{+0.20} / _{+0.00} | 85.00 ^{-0.036} / _{-0.090} | 93.00 ±0.07 | 12.75 |
| MRTS-90X102X9 | 90 | 102 | 9 | 10.00 ^{+0.20} / _{+0.00} | 90.00 ^{-0.036} / _{-0.090} | 102.00 ±0.07 | 12.56 |
| MRTS-90X105X11.5 | 90 | 105 | 11.5 | 12.50 ^{+0.20} / _{+0.00} | 90.00 ^{-0.036} / _{-0.090} | 105.00 ±0.07 | 12.34 |
| MRTS-90X110X14 | 90 | 110 | 14 | 15.00 ^{+0.20} / _{+0.00} | 90.00 ^{-0.036} / _{-0.090} | 110.00 ±0.07 | 14.39 |
| MRTS-100X108X8 | 100 | 108 | 8 | 9.00 ^{+0.20} / _{+0.00} | 100.00 ^{-0.036} / _{-0.090} | 108.00 ±0.07 | 32.96 |
| MRTS-100X115X12 | 100 | 115 | 12 | 13.00 ^{+0.20} / _{+0.00} | 100.00 ^{-0.036} / _{-0.090} | 115.00 ±0.07 | 15.17 |
| MRTS-110X120X11.5 | 110 | 120 | 11.5 | 12.50 ^{+0.20} / _{+0.00} | 110.00 ^{-0.036} / _{-0.090} | 120.00 ±0.07 | 14.15 |
| MRTS-110X125X11.3 | 110 | 125 | 11.3 | 12.30 ^{+0.20} / _{+0.00} | 110.00 ^{-0.036} / _{-0.090} | 125.00 ±0.08 | 15.08 |
| MRTSB-115X130X15 | 115 | 130 | 15 | 16.00 ^{+0.20} / _{+0.00} | 115.00 ^{-0.036} / _{-0.090} | 130.00 ±0.08 | 16.17 |
| MRTS-120X128X8 | 120 | 128 | 8 | 9.00 ^{+0.20} / _{+0.00} | 120.00 ^{-0.036} / _{-0.090} | 128.00 ±0.08 | 15.55 |

Seal color may vary. Special order sizes are available. Sizes not shown and out of stock items can also be ordered for next day delivery through Seals On Demand, our custom seal program. Please call your regional sales team for assistance.

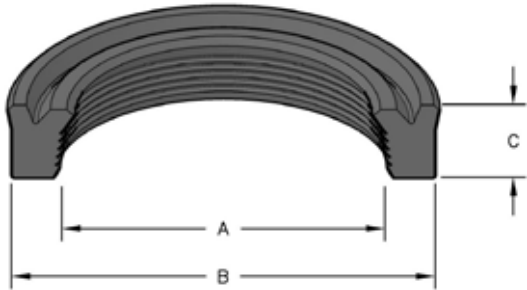
NORTH AMERICA
PHONE 1-800-777-5617
FAX 1-800-759-6391

SALES OFFICE HOURS
8 A.M. TO 7:30 P.M. EASTERN TIME
www.HerculesUS.com

WORLDWIDE
PHONE 1-727-796-1300
FAX 1-727-797-8849

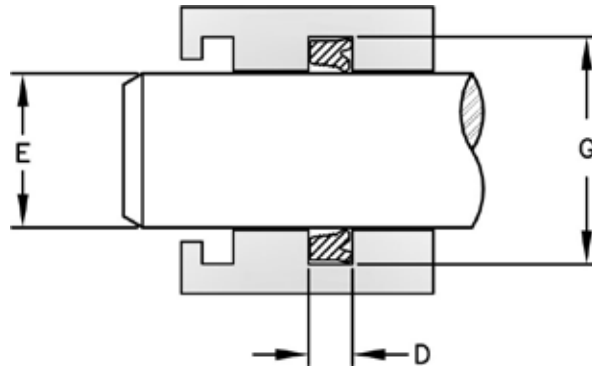
STYLE MRU-LF ROD U-SEALS

Style MRU-LF rod seal is ideal in situations that require a low friction seal. This style seal reduces stick-slip, while maintaining excellent static and dynamic performance.



HERCULES PART NUMBERS
MRU - 22 x 30 x 5.7-LF
 Type of Seal Inside Diameter Outside Diameter Height

| SEAL INFORMATION | |
|-------------------|-------------------|
| MATERIAL | 94 A POLYURETHANE |
| TEMPERATURE RANGE | -22° TO +230° F |
| PRESSURE RANGE | 0 TO 4,600 PSI |
| SPEED | 2 FT/SEC |

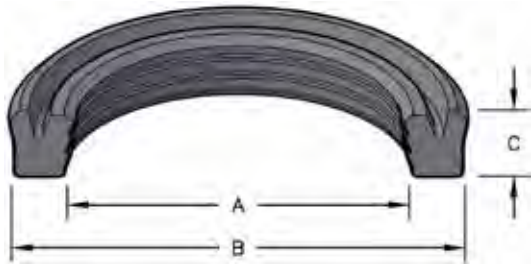


ROD U-SEALS

| Part Number | A Nom. ID | B Nom. OD | C Nom. Ht | D GROOVE WIDTH | E ROD DIAMETER | G HOUSING DIAMETER | List Price |
|------------------|--------------|--------------|--------------|----------------------|------------------------|--------------------------|---------------|
| MRU-22X30X5.7-LF | 22 | 30 | 5.7 | 6.30 +0.20 +0.00 | 22.00 -0.020 -0.053 | 30.00 +0.13 +0.00 | \$10.89 |
| MRU-28X38X7.3-LF | 28 | 38 | 7.3 | 8.00 +0.30 +0.00 | 28.00 -0.020 -0.053 | 38.00 +0.16 +0.00 | 12.77 |
| MRU-30X40X7.3-LF | 30 | 40 | 7.3 | 8.00 +0.30 +0.00 | 30.00 -0.020 -0.053 | 40.00 +0.16 +0.00 | 12.77 |
| MRU-32X42X7.3-LF | 32 | 42 | 7.3 | 8.00 +0.30 +0.00 | 32.00 -0.025 -0.064 | 42.00 +0.16 +0.00 | 13.24 |
| MRU-40X50X7.3-LF | 40 | 50 | 7.3 | 8.00 +0.30 +0.00 | 40.00 -0.025 -0.064 | 50.00 +0.16 +0.00 | 13.90 |
| MRU-45X55X7.3-LF | 45 | 55 | 7.3 | 8.00 +0.30 +0.00 | 45.00 -0.025 -0.064 | 55.00 +0.19 +0.00 | 16.16 |
| MRU-50X60X7.3-LF | 50 | 60 | 7.3 | 8.00 +0.30 +0.00 | 50.00 -0.025 -0.064 | 60.00 +0.19 +0.00 | 17.66 |
| MRU-55X65X7.3-LF | 55 | 65 | 7.3 | 8.00 +0.30 +0.00 | 55.00 -0.030 -0.076 | 65.00 +0.19 +0.00 | 18.60 |
| MRU-60X70X7.3-LF | 60 | 70 | 7.3 | 8.00 +0.30 +0.00 | 60.00 -0.030 -0.076 | 70.00 +0.19 +0.00 | 19.53 |
| MRU-70X80X7.3-LF | 70 | 80 | 7.3 | 8.00 +0.30 +0.00 | 70.00 -0.030 -0.076 | 80.00 +0.19 +0.00 | 19.99 |

STYLE MHMU ROD U-SEALS

The MHMU style multi-lip rod u-seal combines the pressure-compensating, uni-directional characteristics of a u-seal with the multi-lip sealing effectiveness of compression-type stacked packings. Made from premium materials, the MHMU utilizes several sealing lip edges for dry rod performance while minimizing friction. The multi-lip design maintains a critical sealing edge even though increasing pressure moves the line of contact down toward the heel.



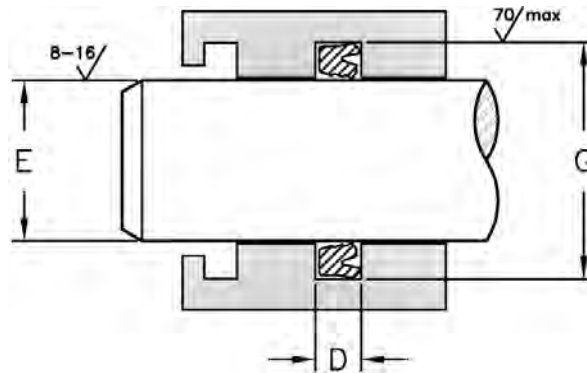
HERCULES PART NUMBERS

MHMU - 12 x 19 x 5

Type of Seal Inside Diameter Outside Diameter Height

SEAL INFORMATION

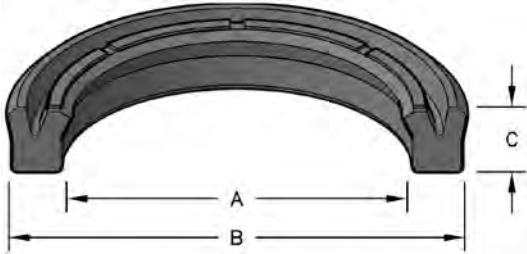
| | |
|-------------------|----------------|
| MATERIAL | URETHANE |
| TEMPERATURE RANGE | -50 TO +230° F |
| PRESSURE RANGE | 0 TO 5,000 PSI |
| SPEED | 3 FT/SEC |



| Part Number | A Nom. ID | B Nom. OD | C Nom. Ht | D GROOVE WIDTH | E ROD DIAMETER | G HOUSING DIAMETER | List Price |
|-------------------|--------------|--------------|--------------|-------------------------|----------------------------|--------------------------|---------------|
| MHMU-12X19X5U | 12 | 19 | 5 | 5.60 +0.25 +0.00 | 12.00 -0.016 -0.059 | 19.00 ±0.065 | \$9.22 |
| MHMU-14X21X5U | 14 | 21 | 5 | 5.60 +0.25 +0.00 | 14.00 -0.016 -0.059 | 21.00 ±0.065 | 9.22 |
| MHMU-18X25X5U | 18 | 25 | 5 | 5.60 +0.25 +0.00 | 18.00 -0.016 -0.059 | 25.00 ±0.065 | 9.35 |
| MHMU-22X29X5U | 22 | 29 | 5 | 5.60 +0.25 +0.00 | 22.00 -0.020 -0.072 | 29.00 ±0.065 | 9.35 |
| MHMU-28X36X5.7U | 28 | 36 | 5.7 | 6.30 +0.25 +0.00 | 28.00 -0.020 -0.072 | 36.00 ±0.08 | 9.42 |
| MHMU-36X44X5.7U | 36 | 44 | 5.7 | 6.30 +0.25 +0.00 | 36.00 -0.025 -0.087 | 44.00 ±0.08 | 9.42 |
| MHMU-45X53X5.7U | 45 | 53 | 5.7 | 6.30 +0.25 +0.00 | 45.00 -0.025 -0.087 | 53.00 ±0.095 | 9.54 |
| MHMU-56X66X6.5U | 56 | 66 | 6.5 | 7.50 +0.25 +0.00 | 56.00 -0.030 -0.104 | 66.00 ±0.095 | 9.83 |
| MHMU-70X80X6.5U | 70 | 80 | 6.5 | 7.50 +0.25 +0.00 | 70.00 -0.030 -0.104 | 80.00 ±0.095 | 10.02 |
| MHMU-90X100X6.5U | 90 | 100 | 6.5 | 7.50 +0.25 +0.00 | 90.00 -0.036 -0.123 | 100.00 ±0.11 | 16.39 |
| MHMU-110X125X9.6U | 110 | 125 | 9.6 | 10.60 +0.25 +0.00 | 110.00 -0.036 -0.123 | 125.00 ±0.125 | 23.73 |
| MHMU-140X155X9.6U | 140 | 155 | 9.6 | 10.60 +0.25 +0.00 | 140.00 -0.043 -0.143 | 155.00 ±0.125 | 28.22 |

STYLE MRUN ROD U-SEALS

The MRUN Rod U-seal is designed with improved oil resistance and compression set versus urethane seals. The addition of a u-seal back-up ring will increase the pressure range of the seal from 2,000 psi to 3,000 psi.

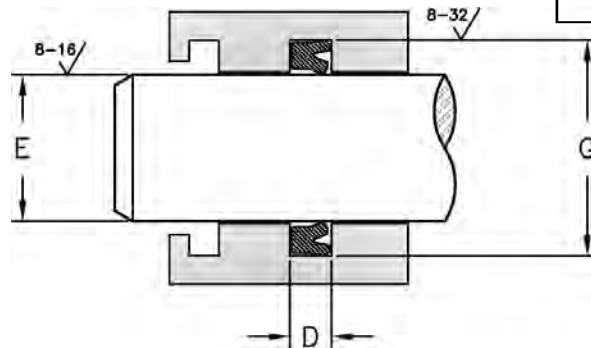


HERCULES PART NUMBERS

MRUN - 20 X 28 X 5-LT
 Type of Seal Rod Diameter Groove Diameter Height

A = ALTERNATIVE TO NOK
 HT = HIGH TEMPERATURE NITRILE (-13° F TO +248° F)
 LT = LOW TEMPERATURE NITRILE (-67° F TO +176° F)

| SEAL INFORMATION | |
|-------------------|---|
| MATERIAL | NITRILE |
| TEMPERATURE RANGE | -8° F TO +212° F |
| PRESSURE RANGE | 0 TO 2,000 psi W/O BACK-UP 0 TO 3,000 psi W/ BACK-UP |
| SPEED | 3 FT/SEC |



| Part Number | A Nom. ID | B Nom. OD | C Nom. Ht | D GROOVE WIDTH | E ROD DIAMETER | G HOUSING DIAMETER | List Price |
|------------------|--------------|--------------|--------------|----------------------|---|---|------------|
| MRUN-20X28X5-LT | 20 | 28 | 5 | 5.70 ±0.20 | 20.00 ^{-0.020} / _{-0.053} | 28.00 ^{+0.00} / _{-0.20} | \$30.49 |
| MRUN-22.4X30.4X5 | 22.4 | 30.4 | 5 | 5.70 ±0.20 | 22.40 ^{-0.020} / _{-0.053} | 30.40 ^{+0.00} / _{-0.20} | 16.10 |
| MRUN-25X33X5 | 25 | 33 | 5 | 5.70 ±0.20 | 25.00 ^{-0.020} / _{-0.053} | 33.00 ^{+0.00} / _{-0.20} | 11.64 |
| MRUN-30X40X6 | 30 | 40 | 6 | 7.00 ±0.20 | 30.00 ^{-0.020} / _{-0.053} | 40.00 ^{+0.00} / _{-0.20} | 18.50 |
| MRUN-30X40X7 | 30 | 40 | 7 | 8.00 ±0.20 | 30.00 ^{-0.020} / _{-0.053} | 40.00 ^{+0.00} / _{-0.20} | 19.26 |
| MRUN-32X42X6 | 32 | 42 | 6 | 7.00 ±0.20 | 32.00 ^{-0.025} / _{-0.064} | 42.00 ^{+0.00} / _{-0.20} | 31.68 |
| MRUN-40X50X6 | 40 | 50 | 6 | 7.00 ±0.20 | 40.00 ^{-0.025} / _{-0.064} | 50.00 ^{+0.00} / _{-0.20} | 23.46 |
| MRUN-40X50X7 | 40 | 50 | 7 | 8.00 ±0.20 | 40.00 ^{-0.025} / _{-0.064} | 50.00 ^{+0.00} / _{-0.20} | 29.86 |
| MRUN-40X50X8 | 40 | 50 | 8 | 9.00 ±0.20 | 40.00 ^{-0.025} / _{-0.064} | 50.00 ^{+0.00} / _{-0.20} | 35.28 |
| MRUN-45X55X6 | 45 | 55 | 6 | 7.00 ±0.20 | 45.00 ^{-0.025} / _{-0.064} | 55.00 ^{+0.00} / _{-0.20} | 19.56 |
| MRUN-45X55X7 | 45 | 55 | 7 | 8.00 ±0.20 | 45.00 ^{-0.025} / _{-0.064} | 55.00 ^{+0.00} / _{-0.20} | 19.90 |
| MRUN-45X56X7 | 45 | 56 | 7 | 8.00 ±0.20 | 45.00 ^{-0.025} / _{-0.064} | 56.00 ^{+0.00} / _{-0.20} | 20.06 |
| MRUN-50X60X6 | 50 | 60 | 6 | 7.00 ±0.20 | 50.00 ^{-0.025} / _{-0.064} | 60.00 ^{+0.00} / _{-0.20} | 16.37 |
| MRUN-50X63X8 | 50 | 63 | 8 | 9.00 ±0.20 | 50.00 ^{-0.025} / _{-0.064} | 63.00 ^{+0.00} / _{-0.20} | 36.48 |
| MRUN-50X63X10 | 50 | 63 | 10 | 11.00 ±0.20 | 50.00 ^{-0.025} / _{-0.064} | 63.00 ^{+0.00} / _{-0.20} | 21.22 |

ROD U-SEALS



STYLE MRUN ROD U-SEALS

ROD U-SEALS

| Part Number | A Nom. ID | B Nom. OD | C Nom. Ht | D GROOVE WIDTH | E ROD DIAMETER | G HOUSING DIAMETER | List Price |
|-------------------|--------------|--------------|--------------|----------------------|---|--|---------------|
| MRUN-55X65X6 | 55 | 65 | 6 | 7.00 ±0.20 | 55.00 ^{-0.030} / _{-0.076} | 65.00 ^{+0.00} / _{-0.20} | 16.37 |
| MRUN-55X65X6.5-HT | 55 | 65 | 6.5 | 7.50 ±0.20 | 55.00 ^{-0.030} / _{-0.076} | 65.00 ^{+0.00} / _{-0.20} | 22.71 |
| MRUN-55X68X10 | 55 | 68 | 10 | 11.00 ±0.20 | 55.00 ^{-0.030} / _{-0.076} | 68.00 ^{+0.00} / _{-0.20} | 32.12 |
| MRUN-56X66X6 | 56 | 66 | 6 | 7.00 ±0.20 | 56.00 ^{-0.030} / _{-0.076} | 66.00 ^{+0.00} / _{-0.20} | 15.17 |
| MRUN-60X70X6 | 60 | 70 | 6 | 7.00 ±0.20 | 60.00 ^{-0.030} / _{-0.076} | 70.00 ^{+0.00} / _{-0.20} | 18.15 |
| MRUN-60X73X10 | 60 | 73 | 10 | 11.00 ±0.20 | 60.00 ^{-0.030} / _{-0.076} | 73.00 ^{+0.00} / _{-0.20} | 23.90 |
| MRUN-60X73X10-HT | 60 | 73 | 10 | 11.00 ±0.20 | 60.00 ^{-0.030} / _{-0.076} | 73.00 ^{+0.00} / _{-0.20} | 29.32 |
| MRUN-65X78X10 | 65 | 78 | 10 | 11.00 ±0.20 | 65.00 ^{-0.030} / _{-0.076} | 78.00 ^{+0.00} / _{-0.20} | 26.19 |
| MRUN-65X78X10-HT | 65 | 78 | 10 | 11.00 ±0.20 | 65.00 ^{-0.030} / _{-0.076} | 78.00 ^{+0.00} / _{-0.20} | 36.80 |
| MRUN-70X83X10 | 70 | 83 | 10 | 11.00 ±0.20 | 70.00 ^{-0.030} / _{-0.076} | 83.00 ^{+0.00} / _{-0.20} | 36.54 |
| MRUN-70X83X10-HT | 70 | 83 | 10 | 11.00 ±0.20 | 70.00 ^{-0.030} / _{-0.076} | 83.00 ^{+0.00} / _{-0.20} | 43.70 |
| MRUN-70X83X10-LT | 70 | 83 | 10 | 11.00 ±0.20 | 70.00 ^{-0.030} / _{-0.076} | 83.00 ^{+0.00} / _{-0.20} | 33.93 |
| MRUN-70X85X9 | 70 | 85 | 9 | 10.00 ±0.20 | 70.00 ^{-0.030} / _{-0.076} | 85.00 ^{+0.00} / _{-0.20} | 20.53 |
| MRUN-70X85X9-HT | 70 | 85 | 9 | 10.00 ±0.20 | 70.00 ^{-0.030} / _{-0.076} | 85.00 ^{+0.00} / _{-0.20} | 31.45 |
| MRUN-75X88X10 | 75 | 88 | 10 | 11.00 ±0.20 | 75.00 ^{-0.030} / _{-0.076} | 88.00 ^{+0.00} / _{-0.20} | 21.25 |
| MRUN-75X88X10-A | 75 | 88 | 10 | 11.00 ±0.20 | 75.00 ^{-0.030} / _{-0.076} | 88.00 ^{+0.00} / _{-0.20} | 8.83 |
| MRUN-75X88X10-HT | 75 | 88 | 10 | 11.00 ±0.20 | 75.00 ^{-0.030} / _{-0.076} | 88.00 ^{+0.00} / _{-0.20} | 38.64 |
| MRUN-75X90X9-HT | 75 | 90 | 9 | 10.00 ±0.20 | 75.00 ^{-0.030} / _{-0.076} | 90.00 ^{+0.00} / _{-0.20} | 39.39 |
| MRUN-80X93X10 | 80 | 93 | 10 | 11.00 ±0.20 | 80.00 ^{-0.030} / _{-0.076} | 93.00 ^{+0.00} / _{-0.20} | 31.89 |
| MRUN-80X93X10-A | 80 | 93 | 10 | 11.00 ±0.20 | 80.00 ^{-0.030} / _{-0.076} | 93.00 ^{+0.00} / _{-0.20} | 9.33 |
| MRUN-80X93X10-HT | 80 | 93 | 10 | 11.00 ±0.20 | 80.00 ^{-0.030} / _{-0.076} | 93.00 ^{+0.00} / _{-0.20} | 31.97 |
| MRUN-80X95X9 | 80 | 95 | 9 | 10.00 ±0.20 | 80.00 ^{-0.030} / _{-0.076} | 95.00 ^{+0.00} / _{-0.20} | 33.26 |
| MRUN-80X95X9-HT | 80 | 95 | 9 | 10.00 ±0.20 | 80.00 ^{-0.030} / _{-0.076} | 95.00 ^{+0.00} / _{-0.20} | 51.46 |
| MRUN-85X100X10 | 85 | 100 | 10 | 11.00 ±0.20 | 85.00 ^{-0.036} / _{-0.090} | 100.00 ^{+0.00} / _{-0.20} | 35.20 |
| MRUN-85X100X10-A | 85 | 100 | 10 | 11.00 ±0.20 | 85.00 ^{-0.036} / _{-0.090} | 100.00 ^{+0.00} / _{-0.20} | 10.73 |
| MRUN-85X105X12-HT | 85 | 105 | 12 | 13.00 ±0.20 | 85.00 ^{-0.036} / _{-0.090} | 105.00 ^{+0.00} / _{-0.20} | 54.67 |
| MRUN-90X105X9 | 90 | 105 | 9 | 10.00 ±0.20 | 90.00 ^{-0.036} / _{-0.090} | 105.00 ^{+0.00} / _{-0.20} | 23.55 |
| MRUN-90X105X10 | 90 | 105 | 10 | 11.00 ±0.20 | 90.00 ^{-0.036} / _{-0.090} | 105.00 ^{+0.00} / _{-0.20} | 28.55 |
| MRUN-90X105X10-A | 90 | 105 | 10 | 11.00 ±0.20 | 90.00 ^{-0.036} / _{-0.090} | 105.00 ^{+0.00} / _{-0.20} | 11.30 |
| MRUN-90X105X10-HT | 90 | 105 | 10 | 11.00 ±0.20 | 90.00 ^{-0.036} / _{-0.090} | 105.00 ^{+0.00} / _{-0.20} | 62.91 |
| MRUN-90X110X12 | 90 | 110 | 12 | 13.00 ±0.20 | 90.00 ^{-0.036} / _{-0.090} | 110.00 ^{+0.00} / _{-0.20} | 47.67 |
| MRUN-95X110X9 | 95 | 110 | 9 | 10.00 ±0.20 | 95.00 ^{-0.036} / _{-0.090} | 110.00 ^{+0.00} / _{-0.20} | 23.61 |
| MRUN-95X110X10-A | 95 | 110 | 10 | 11.00 ±0.20 | 95.00 ^{-0.036} / _{-0.090} | 110.00 ^{+0.00} / _{-0.20} | 11.86 |

NORTH AMERICA
PHONE 1-800-777-5617
FAX 1-800-759-6391

SALES OFFICE HOURS
8 A.M. TO 7:30 P.M. EASTERN TIME
www.HerculesUS.com

WORLDWIDE
PHONE 1-727-796-1300
FAX 1-727-797-8849



STYLE MRUN ROD U-SEALS

| Part Number | A Nom. ID | B Nom. OD | C Nom. Ht | D GROOVE WIDTH | E ROD DIAMETER | G HOUSING DIAMETER | List Price |
|--------------------|--------------|--------------|--------------|----------------------|--|--|---------------|
| MRUN-95X110X10.5 | 95 | 110 | 10.5 | 11.50 ±0.20 | 95.00 ^{-0.036} / _{-0.090} | 110.00 ^{+0.00} / _{-0.20} | 30.72 |
| MRUN-95X115X12 | 95 | 115 | 12 | 13.00 ±0.20 | 95.00 ^{-0.036} / _{-0.090} | 115.00 ^{+0.00} / _{-0.20} | 46.08 |
| MRUN-100X115X9 | 100 | 115 | 9 | 10.00 ±0.20 | 100.00 ^{-0.036} / _{-0.090} | 115.00 ^{+0.00} / _{-0.20} | 36.37 |
| MRUN-100X115X10 | 100 | 115 | 10 | 11.00 ±0.20 | 100.00 ^{-0.036} / _{-0.090} | 115.00 ^{+0.00} / _{-0.20} | 24.75 |
| MRUN-100X120X12-HT | 100 | 120 | 12 | 13.00 ±0.20 | 100.00 ^{-0.036} / _{-0.090} | 120.00 ^{+0.00} / _{-0.20} | 70.15 |
| MRUN-105X120X9 | 105 | 120 | 9 | 10.00 ±0.20 | 105.00 ^{-0.036} / _{-0.090} | 120.00 ^{+0.00} / _{-0.20} | 76.16 |
| MRUN-105X120X10 | 105 | 120 | 10 | 11.00 ±0.20 | 105.00 ^{-0.036} / _{-0.090} | 120.00 ^{+0.00} / _{-0.20} | 48.61 |
| MRUN-105X125X15 | 105 | 125 | 15 | 16.00 ±0.20 | 105.00 ^{-0.036} / _{-0.090} | 125.00 ^{+0.00} / _{-0.20} | 53.24 |
| MRUN-110X125X10-HT | 110 | 125 | 10 | 11.00 ±0.20 | 110.00 ^{-0.036} / _{-0.090} | 125.00 ^{+0.00} / _{-0.20} | 74.65 |
| MRUN-110X125X10-LT | 110 | 125 | 10 | 11.00 ±0.20 | 110.00 ^{-0.036} / _{-0.090} | 125.00 ^{+0.00} / _{-0.20} | 96.30 |
| MRUN-110X130X10 | 110 | 130 | 10 | 11.00 ±0.20 | 110.00 ^{-0.036} / _{-0.090} | 130.00 ^{+0.00} / _{-0.20} | 43.94 |
| MRUN-110X130X10-A | 110 | 130 | 10 | 11.00 ±0.20 | 110.00 ^{-0.036} / _{-0.090} | 130.00 ^{+0.00} / _{-0.20} | 16.18 |
| MRUN-115X130X9 | 115 | 130 | 9 | 10.00 ±0.20 | 115.00 ^{-0.036} / _{-0.090} | 130.00 ^{+0.00} / _{-0.20} | 43.70 |
| MRUN-115X130X10 | 115 | 130 | 10 | 11.00 ±0.20 | 115.00 ^{-0.036} / _{-0.090} | 130.00 ^{+0.00} / _{-0.20} | 73.15 |
| MRUN-115X130X10-HT | 115 | 130 | 10 | 11.00 ±0.20 | 115.00 ^{-0.036} / _{-0.090} | 130.00 ^{+0.00} / _{-0.20} | 49.82 |
| MRUN-115X130X10-LT | 115 | 130 | 10 | 11.00 ±0.20 | 115.00 ^{-0.036} / _{-0.090} | 130.00 ^{+0.00} / _{-0.20} | 107.41 |
| MRUN-115X135X12 | 115 | 135 | 12 | 13.00 ±0.20 | 115.00 ^{-0.036} / _{-0.090} | 135.00 ^{+0.00} / _{-0.20} | 91.72 |
| MRUN-115X135X12-HT | 115 | 135 | 12 | 13.00 ±0.20 | 115.00 ^{-0.036} / _{-0.090} | 135.00 ^{+0.00} / _{-0.20} | 58.39 |
| MRUN-115X135X16-HT | 115 | 135 | 16 | 17.00 ±0.20 | 115.00 ^{-0.036} / _{-0.090} | 135.00 ^{+0.00} / _{-0.20} | 100.34 |
| MRUN-120X140X10 | 120 | 140 | 10 | 11.00 ±0.20 | 120.00 ^{-0.036} / _{-0.090} | 140.00 ^{+0.00} / _{-0.20} | 52.79 |
| MRUN-120X140X12-HT | 120 | 140 | 12 | 13.00 ±0.20 | 120.00 ^{-0.036} / _{-0.090} | 140.00 ^{+0.00} / _{-0.20} | 84.11 |
| MRUN-125X145X12 | 125 | 145 | 12 | 13.00 ±0.20 | 125.00 ^{-0.043} / _{-0.106} | 145.00 ^{+0.00} / _{-0.20} | 88.02 |
| MRUN-125X145X12-HT | 125 | 145 | 12 | 13.00 ±0.20 | 125.00 ^{-0.043} / _{-0.106} | 145.00 ^{+0.00} / _{-0.20} | 68.94 |
| MRUN-130X145X10 | 130 | 145 | 10 | 11.00 ±0.20 | 130.00 ^{-0.043} / _{-0.106} | 145.00 ^{+0.00} / _{-0.20} | 180.66 |
| MRUN-130X150X12 | 130 | 150 | 12 | 13.00 ±0.20 | 130.00 ^{-0.043} / _{-0.106} | 150.00 ^{+0.00} / _{-0.20} | 61.89 |
| MRUN-130X150X12-HT | 130 | 150 | 12 | 13.00 ±0.20 | 130.00 ^{-0.043} / _{-0.106} | 150.00 ^{+0.00} / _{-0.20} | 126.83 |
| MRUN-140X155X10 | 140 | 155 | 10 | 11.00 ±0.20 | 140.00 ^{-0.043} / _{-0.106} | 155.00 ^{+0.00} / _{-0.20} | 113.85 |
| MRUN-140X160X12 | 140 | 160 | 12 | 13.00 ±0.20 | 140.00 ^{-0.043} / _{-0.106} | 160.00 ^{+0.00} / _{-0.20} | 60.71 |
| MRUN-140X160X12-HT | 140 | 160 | 12 | 13.00 ±0.20 | 140.00 ^{-0.043} / _{-0.106} | 160.00 ^{+0.00} / _{-0.20} | 89.78 |
| MRUN-145X160X10 | 145 | 160 | 10 | 11.00 ±0.20 | 145.00 ^{-0.043} / _{-0.106} | 160.00 ^{+0.00} / _{-0.20} | 94.67 |
| MRUN-150X165X9 | 150 | 165 | 9 | 10.00 ±0.20 | 150.00 ^{-0.043} / _{-0.106} | 165.00 ^{+0.00} / _{-0.20} | 80.07 |
| MRUN-150X165X10 | 150 | 165 | 10 | 11.00 ±0.20 | 150.00 ^{-0.043} / _{-0.106} | 165.00 ^{+0.00} / _{-0.20} | 185.15 |
| MRUN-150X170X12-HT | 150 | 170 | 12 | 13.00 ±0.20 | 150.00 ^{-0.043} / _{-0.106} | 170.00 ^{+0.00} / _{-0.20} | 131.00 |

ROD U-SEALS

FORMERLY LISTED SEALS ARE AVAILABLE ONLINE AT WWW.HERCULESUS.COM
OR BY CONTACTING YOUR REGIONAL HERCULES SALES TEAM.



STYLE MRUN ROD U-SEALS

| Part Number | A Nom. ID | B Nom. OD | C Nom. Ht | D GROOVE WIDTH | E ROD DIAMETER | G HOUSING DIAMETER | List Price |
|--------------------|--------------|--------------|--------------|----------------------|------------------------------------|----------------------------------|---------------|
| MRUN-160X180X12 | 160 | 180 | 12 | 13.00 ±0.20 | 160.00 ^{-0.043} -0.106 | 180.00 ^{+0.00} -0.20 | 118.51 |
| MRUN-160X180X12-HT | 160 | 180 | 12 | 13.00 ±0.20 | 160.00 ^{-0.043} -0.106 | 180.00 ^{+0.00} -0.20 | 78.61 |
| MRUN-170X195X15.5 | 170 | 195 | 15.5 | 16.50 ±0.20 | 170.00 ^{-0.043} -0.106 | 195.00 ^{+0.00} -0.20 | 116.89 |
| MRUN-180X205X15.5 | 180 | 205 | 15.5 | 16.50 ±0.20 | 180.00 ^{-0.043} -0.106 | 205.00 ^{+0.00} -0.20 | 130.59 |
| MRUN-190X215X16 | 190 | 215 | 16 | 17.00 ±0.20 | 190.00 ^{-0.050} -0.122 | 215.00 ^{+0.00} -0.20 | 130.94 |
| MRUN-200X225X16 | 200 | 225 | 16 | 17.00 ±0.20 | 200.00 ^{-0.050} -0.122 | 225.00 ^{+0.00} -0.20 | 132.10 |

ROD U-SEALS

Seal color may vary. Special order sizes are available. Sizes not shown and out of stock items can also be ordered for next day delivery through Seals On Demand, our custom seal program. Please call your regional sales team for assistance.

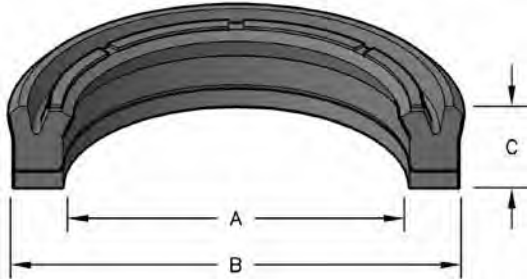
NORTH AMERICA
PHONE 1-800-777-5617
FAX 1-800-759-6391

SALES OFFICE HOURS
8 A.M. TO 7:30 P.M. EASTERN TIME
www.HerculesUS.com

WORLDWIDE
PHONE 1-727-796-1300
FAX 1-727-797-8849

STYLE MRUNB ROD U-SEAL WITH BACK-UP RINGS

The MRUNB Rod U-seal is designed to prevent extrusion damage. The addition of the u-seal back-up ring increases the pressure range of the seal from 2,000 psi to 3,000 psi.

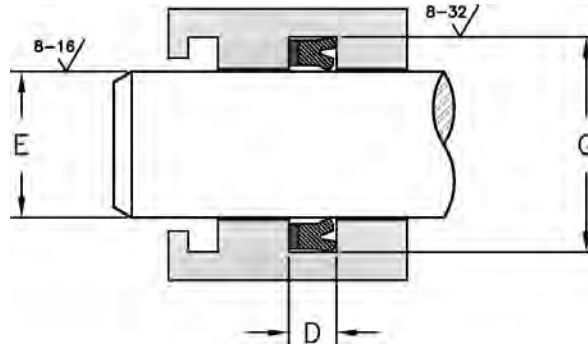


HERCULES PART NUMBERS

MRUNB - 20 x 28 x 7-LT
 Type of Seal Inside Diameter Outside Diameter Height

HT = High Temperature Nitrile
 LT = Low Temperature Nitrile
 U = Urethane Back-Up Ring

| SEAL INFORMATION | |
|-------------------|-------------------|
| MATERIAL | NITRILE AND PTFE |
| TEMPERATURE RANGE | -13° F TO +212° F |
| PRESSURE RANGE | 0 TO 3,000 PSI |
| SPEED | 3 FT/SEC |



ROD U-SEALS

| Part Number | A Nom. ID | B Nom. OD | C Nom. Ht | D GROOVE WIDTH | E ROD DIAMETER | G HOUSING DIAMETER | List Price |
|--------------------|-----------|-----------|-----------|-------------------------|---------------------------|-------------------------|------------|
| MRUNB-20X28X7-LT | 20 | 28 | 7 | 8.00 ±0.20 | 20.00 -0.020 -0.053 | 28.00 +0.00 -0.20 | \$44.17 |
| MRUNB-25X33X7 | 25 | 33 | 7 | 7.70 +0.20 +0.00 | 25.00 -0.020 -0.053 | 33.00 +0.00 -0.20 | 18.09 |
| MRUNB-30X40X10 | 30 | 40 | 10 | 11.00 ±0.20 | 30.00 -0.020 -0.053 | 40.00 +0.00 -0.20 | 25.52 |
| MRUNB-40X50X10 | 40 | 50 | 10 | 11.00 ±0.20 | 40.00 -0.025 -0.064 | 50.00 +0.00 -0.20 | 23.72 |
| MRUNB-45X55X10 | 45 | 55 | 10 | 11.00 +0.20 +0.00 | 45.00 -0.025 -0.064 | 55.00 +0.00 -0.20 | 44.93 |
| MRUNB-45X55X10U | 45 | 55 | 10 | 11.00 ±0.20 | 45.00 -0.025 -0.064 | 55.00 +0.00 -0.20 | 29.09 |
| MRUNB-45X56X10 | 45 | 56 | 10 | 11.00 ±0.20 | 45.00 -0.025 -0.064 | 56.00 +0.00 -0.20 | 34.11 |
| MRUNB-50X63X13 | 50 | 63 | 13 | 14.00 ±0.20 | 50.00 -0.025 -0.064 | 63.00 +0.00 -0.20 | 37.74 |
| MRUNB-55X65X9.5-HT | 55 | 65 | 9.5 | 10.50 ±0.20 | 55.00 -0.030 -0.076 | 65.00 +0.00 -0.20 | 30.62 |
| MRUNB-55X68X13 | 55 | 68 | 13 | 14.00 ±0.20 | 55.00 -0.030 -0.076 | 68.00 +0.00 -0.20 | 42.75 |
| MRUNB-60X73X13 | 60 | 73 | 13 | 14.00 ±0.20 | 60.00 -0.030 -0.076 | 73.00 +0.00 -0.20 | 36.09 |
| MRUNB-60X73X13U-HT | 60 | 73 | 13 | 14.00 ±0.20 | 60.00 -0.030 -0.076 | 73.00 +0.00 -0.20 | 40.29 |
| MRUNB-65X78X13 | 65 | 78 | 13 | 14.00 ±0.20 | 65.00 -0.030 -0.076 | 78.00 +0.00 -0.20 | 36.78 |
| MRUNB-65X78X13U-HT | 65 | 78 | 13 | 14.00 ±0.20 | 65.00 -0.030 -0.076 | 78.00 +0.00 -0.20 | 43.21 |
| MRUNB-70X83X13 | 70 | 83 | 13 | 14.00 ±0.20 | 70.00 -0.030 -0.076 | 83.00 +0.00 -0.20 | 38.55 |
| MRUNB-70X83X13-LT | 70 | 83 | 13 | 14.00 ±0.20 | 70.00 -0.030 -0.076 | 83.00 +0.00 -0.20 | 43.07 |

FORMERLY LISTED SEALS ARE AVAILABLE ONLINE AT WWW.HERCULESUS.COM
 OR BY CONTACTING YOUR REGIONAL HERCULES SALES TEAM.



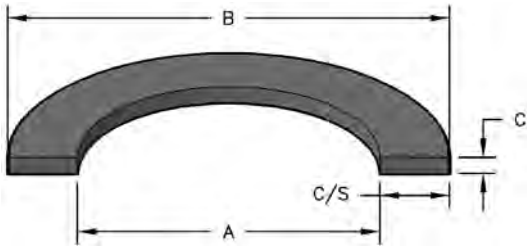
STYLE MRUNB ROD U-SEAL WITH BACK-UP RINGS

ROD U-SEALS

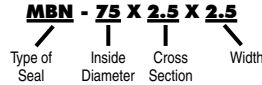
| Part Number | A Nom. ID | B Nom. OD | C Nom. Ht | D GROOVE WIDTH | E ROD DIAMETER | G HOUSING DIAMETER | List Price |
|----------------------|--------------|--------------|--------------|----------------------|---|--|---------------|
| MRUNB-70X83X13U-HT | 70 | 83 | 13 | 14.00 ±0.20 | 70.00 ^{-0.030} _{-0.076} | 83.00 ^{+0.00} _{-0.20} | 46.17 |
| MRUNB-75X88X13 | 75 | 88 | 13 | 14.00 ±0.20 | 75.00 ^{-0.030} _{-0.076} | 88.00 ^{+0.00} _{-0.20} | 41.65 |
| MRUNB-80X93X13 | 80 | 93 | 13 | 14.00 ±0.20 | 80.00 ^{-0.030} _{-0.076} | 93.00 ^{+0.00} _{-0.20} | 43.01 |
| MRUNB-85X100X13 | 85 | 100 | 13 | 14.00 ±0.20 | 85.00 ^{-0.036} _{-0.090} | 100.00 ^{+0.00} _{-0.20} | 46.43 |
| MRUNB-90X105X13 | 90 | 105 | 13 | 14.00 ±0.20 | 90.00 ^{-0.036} _{-0.090} | 105.00 ^{+0.00} _{-0.20} | 49.39 |
| MRUNB-90X105X13U-HT | 90 | 105 | 13 | 14.00 ±0.20 | 90.00 ^{-0.036} _{-0.090} | 105.00 ^{+0.00} _{-0.20} | 64.54 |
| MRUNB-95X110X13.5 | 95 | 110 | 13.5 | 14.50 ±0.20 | 95.00 ^{-0.036} _{-0.090} | 110.00 ^{+0.00} _{-0.20} | 51.58 |
| MRUNB-100X115X13 | 100 | 115 | 13 | 14.00 ±0.20 | 100.00 ^{-0.036} _{-0.090} | 115.00 ^{+0.00} _{-0.20} | 52.13 |
| MRUNB-110X130X13 | 110 | 130 | 13 | 14.00 ±0.20 | 110.00 ^{-0.036} _{-0.090} | 130.00 ^{+0.00} _{-0.20} | 67.33 |
| MRUNB-115X135X15U-HT | 115 | 135 | 15 | 16.00 ±0.20 | 115.00 ^{-0.036} _{-0.090} | 135.00 ^{+0.00} _{-0.20} | 69.75 |
| MRUNB-115X135X16 | 115 | 135 | 16 | 17.00 ±0.20 | 115.00 ^{100.036} _{-0.090} | 135.00 ^{+0.00} _{-0.20} | 107.00 |
| MRUNB-120X140X13 | 120 | 140 | 13 | 14.00 ±0.20 | 120.00 ^{-0.036} _{-0.090} | 140.00 ^{+0.00} _{-0.20} | 69.22 |
| MRUNB-120X140X15U-HT | 120 | 140 | 15 | 16.00 ±0.20 | 120.00 ^{-0.036} _{-0.090} | 140.00 ^{+0.00} _{-0.20} | 98.69 |
| MRUNB-125X145X16-HT | 125 | 145 | 16 | 17.00 ±0.20 | 125.00 ^{-0.043} _{-0.106} | 145.00 ^{+0.00} _{-0.20} | 97.83 |
| MRUNB-130X150X16 | 130 | 150 | 16 | 17.00 ±0.20 | 130.00 ^{-0.043} _{-0.106} | 150.00 ^{+0.00} _{-0.20} | 102.29 |
| MRUNB-130X150X16-HT | 130 | 150 | 16 | 17.00 ±0.20 | 130.00 ^{-0.043} _{-0.106} | 150.00 ^{+0.00} _{-0.20} | 157.56 |
| MRUNB-140X160X16 | 140 | 160 | 16 | 17.00 ±0.20 | 140.00 ^{-0.043} _{-0.106} | 160.00 ^{+0.00} _{-0.20} | 103.60 |
| MRUNB-140X160X16-HT | 140 | 160 | 16 | 17.00 ±0.20 | 140.00 ^{-0.043} _{-0.106} | 160.00 ^{+0.00} _{-0.20} | 116.78 |
| MRUNB-140X160X16U-HT | 140 | 160 | 16 | 17.00 ±0.20 | 140.00 ^{-0.043} _{-0.106} | 160.00 ^{+0.00} _{-0.20} | 132.43 |
| MRUNB-150X170X16-HT | 150 | 170 | 16 | 17.00 ±0.20 | 150.00 ^{-0.043} _{-0.106} | 170.00 ^{+0.00} _{-0.20} | 162.11 |
| MRUNB-160X180X16 | 160 | 180 | 16 | 17.00 ±0.20 | 160.00 ^{-0.043} _{-0.106} | 180.00 ^{+0.00} _{-0.20} | 173.83 |
| MRUNB-160X180X16U-HT | 160 | 180 | 16 | 17.00 ±0.20 | 160.00 ^{-0.043} _{-0.106} | 180.00 ^{+0.00} _{-0.20} | 135.88 |
| MRUNB-170X195X19.5 | 170 | 195 | 19.5 | 20.50 ±0.20 | 170.00 ^{-0.043} _{-0.106} | 195.00 ^{+0.00} _{-0.20} | 158.78 |
| MRUNB-180X205X19.5 | 180 | 205 | 19.5 | 20.50 ±0.20 | 180.00 ^{-0.043} _{-0.106} | 205.00 ^{+0.00} _{-0.20} | 177.69 |
| MRUNB-190X215X20 | 190 | 215 | 20 | 21.00 ±0.20 | 190.00 ^{-0.050} _{-0.122} | 215.00 ^{+0.00} _{-0.20} | 182.94 |
| MRUNB-200X225X20 | 200 | 225 | 20 | 21.00 ±0.20 | 200.00 ^{-0.050} _{-0.122} | 225.00 ^{+0.00} _{-0.20} | 201.90 |

STYLE MBN U-SEAL BACK-UP RINGS

Hard nylon back-up rings for use with U-seals.



HERCULES PART NUMBERS



| SEAL INFORMATION | |
|-------------------|-----------------|
| MATERIAL | NYLON |
| TEMPERATURE RANGE | -67° TO +212° F |
| PRESSURE RANGE | 0 TO 5,000 PSI |
| SPEED | 3 FT/SEC |

| Part Number | A Nom. ID | B Nom. OD | C Nom. Ht | List Price |
|-------------------|-----------|-----------|-----------|------------|
| 12.3mm C/S | | | | |
| MBN-181.1X12.3X4 | 181.1 | 205.7 | 4 | \$50.06 |
| 2.5mm C/S | | | | |
| MBN-75X2.5X2.5 | 75 | 80 | 2.5 | \$29.60 |
| 3mm C/S | | | | |
| MBN-44X3X1.25 | 44 | 50 | 1.25 | \$5.59 |
| 3.7mm C/S | | | | |
| MBN-28X3.7X1.5 | 28 | 35.4 | 1.5 | \$15.34 |
| 4mm C/S | | | | |
| MBN-40X4X1.4 | 40 | 48 | 1.4 | \$18.93 |
| MBN-42X4X1.5 | 42 | 50 | 1.5 | 6.56 |
| 5mm C/S | | | | |
| MBN-25X5X2 | 25 | 35 | 2 | \$6.54 |
| MBN-30X5X3 | 30 | 40 | 3 | 8.24 |
| MBN-35X5X1.8 | 35 | 45 | 1.8 | 13.37 |
| MBN-40X5X1.5 | 40 | 50 | 1.5 | 12.10 |
| MBN-40X5X2.5 | 40 | 50 | 2.5 | 19.26 |
| MBN-50X5X1.6 | 50 | 60 | 1.6 | 28.05 |
| MBN-50X5X1.9 | 50 | 60 | 1.9 | 6.78 |
| MBN-75X5X3 | 75 | 85 | 3 | 19.26 |
| MBN-80X5X3 | 80 | 90 | 3 | 18.86 |
| MBN-117X5X4 | 117 | 127 | 4 | 28.97 |
| MBN-120X5X2 | 120 | 130 | 2 | 7.65 |
| MBN-130X5X2 | 130 | 140 | 2 | 10.31 |
| MBN-132X5X4 | 132 | 142 | 4 | 37.07 |
| MBN-145X5X4 | 145 | 155 | 4 | 39.09 |
| MBN-155X5X4 | 155 | 165 | 4 | 40.40 |
| MBH-170X5X2.5 | 170 | 180 | 2.5 | 4.24 |
| 5.5mm C/S | | | | |
| MBN-45X5.5X2.5 | 45 | 56 | 2.5 | \$16.22 |
| 6mm C/S | | | | |
| MBN-63X6X1.5 | 63 | 75 | 1.5 | \$8.44 |
| 6.5mm C/S | | | | |
| MBN-50X6.5X3 | 50 | 63 | 3 | \$4.55 |
| MBN-60X6.5X3 | 60 | 73 | 3 | 9.56 |
| MBN-65X6.5X3 | 65 | 78 | 3 | 9.56 |
| MBN-70X6.5X3 | 70 | 83 | 3 | 9.56 |
| MBN-75X6.5X3 | 75 | 88 | 3 | 9.56 |
| MBN-80X6.5X3 | 80 | 93 | 3 | 11.54 |

| Part Number | A Nom. ID | B Nom. OD | C Nom. Ht | List Price |
|--------------------|-----------|-----------|-----------|------------|
| MBN-80.24X6.63X2.5 | 80.24 | 93.5 | 2.5 | \$7.38 |
| 7.5mm C/S | | | | |
| MBN-45X7.5X3 | 45 | 60 | 3 | \$9.56 |
| MBN-50X7.5X2 | 50 | 65 | 2 | 14.16 |
| MBN-50X7.5X2.5 | 50 | 65 | 2.5 | 23.67 |
| MBN-50X7.5X3 | 50 | 65 | 3 | 9.56 |
| MBN-60X7.5X2.5 | 60 | 75 | 2.5 | 9.56 |
| MBN-65X7.5X3 | 65 | 80 | 3 | 9.56 |
| MBN-70X7.5X1.6 | 70 | 85 | 1.6 | 19.18 |
| MBN-70X7.5X3 | 70 | 85 | 3 | 9.56 |
| MBN-75X7.5X3 | 75 | 90 | 3 | 9.56 |
| MBN-80X7.5X3 | 80 | 95 | 3 | 11.54 |
| MBN-85X7.5X1.9 | 85 | 100 | 1.9 | 5.91 |
| MBN-85X7.5X3 | 85 | 100 | 3 | 11.54 |
| MBN-90X7.5X3 | 90 | 105 | 3 | 11.54 |
| MBN-95X7.5X3 | 95 | 110 | 3 | 11.54 |
| MBN-100X7.5X3 | 100 | 115 | 3 | 13.43 |
| MBN-105X7.5X3 | 105 | 120 | 3 | 13.43 |
| MBN-110X7.5X3 | 110 | 125 | 3 | 13.43 |
| MBN-120X7.5X3 | 120 | 135 | 3 | 13.43 |
| MBN-140X7.5X3 | 140 | 155 | 3 | 87.66 |
| 8mm C/S | | | | |
| MBN-55X8X3 | 55 | 71 | 3 | \$8.77 |
| MBN-60X8X3 | 60 | 76 | 3 | 11.74 |
| 10mm C/S | | | | |
| MBN-55X10X3 | 55 | 75 | 3 | \$12.08 |
| MBN-60X10X3 | 60 | 80 | 3 | 9.56 |
| MBN-70X10X3 | 70 | 90 | 3 | 9.56 |
| MBN-75X10X3 | 75 | 95 | 3 | 9.56 |
| MBN-80X10X2 | 80 | 100 | 2 | 17.62 |
| MBN-80X10X3 | 80 | 100 | 3 | 11.54 |
| MBN-85X10X3 | 85 | 105 | 3 | 11.54 |
| MBN-90X10X3 | 90 | 110 | 3 | 11.54 |
| MBN-95X10X3 | 95 | 115 | 3 | 11.54 |
| MBN-100X10X3 | 100 | 120 | 3 | 13.43 |
| MBN-105X10X3 | 105 | 125 | 3 | 13.43 |
| MBN-110X10X3 | 110 | 130 | 3 | 13.43 |
| MBN-120X10X3 | 120 | 140 | 3 | 14.39 |
| MBN-125X10X3 | 125 | 145 | 3 | 32.34 |
| MBN-130X10X3 | 130 | 150 | 3 | 18.93 |
| MBN-140X10X3 | 140 | 160 | 3 | 24.15 |

ROD U-SEALS BACK-UP RINGS

FORMERLY LISTED SEALS ARE AVAILABLE ONLINE AT WWW.HERCULESUS.COM
OR BY CONTACTING YOUR REGIONAL HERCULES SALES TEAM.



STYLE MBN U-SEAL BACK-UP RINGS

| Part Number | A Nom. ID | B Nom. OD | C Nom. Ht | List Price |
|-------------------|--------------|--------------|--------------|---------------|
| MBN-150X10X3 | 150 | 170 | 3 | 25.88 |
| MBN-160X10X3 | 160 | 180 | 3 | 29.06 |
| MBN-170X10X5 | 170 | 190 | 5 | 36.10 |
| 12.5mm C/S | | | | |
| MBN-160X12.5X3 | 160 | 185 | 3 | \$49.72 |
| MBN-160X12.5X3.5 | 160 | 185 | 3.5 | 40.15 |
| MBN-170X12.5X3 | 170 | 195 | 3 | 57.58 |
| MBN-180X12.5X3.5 | 180 | 205 | 3.5 | 41.19 |

ROD U-SEALS BACK-UP RINGS

Seal color may vary. Special order sizes are available. Sizes not shown and out of stock items can also be ordered for next day delivery through Seals On Demand, our custom seal program. Please call your regional sales team for assistance.

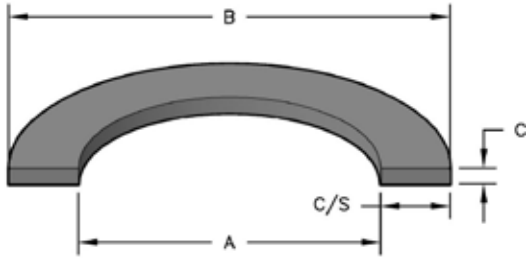
NORTH AMERICA
PHONE 1-800-777-5617
FAX 1-800-759-6391

SALES OFFICE HOURS
8 A.M. TO 7:30 P.M. EASTERN TIME
www.HerculesUS.com

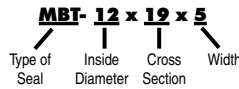
WORLDWIDE
PHONE 1-727-796-1300
FAX 1-727-797-8849

STYLE MBT U-SEAL BACK-UP RINGS

Filled PTFE back-up rings primarily used with U-seals.



HERCULES PART NUMBERS



- S = Split Ring
- B = Bronze Filled PTFE
- G = Glass Filled PTFE
- M = Moly Filled PTFE

| SEAL INFORMATION | |
|-------------------|------------------|
| MATERIAL | FILLED PTFE |
| TEMPERATURE RANGE | -100° TO +500° F |
| PRESSURE RANGE | 0 TO 5,000 PSI |
| SPEED | 3 FT/SEC |

| Part Number | A Nom. ID | B Nom. OD | C Nom. Ht | List Price |
|--------------------|-----------|-----------|-----------|------------|
| 3.15mm C/S | | | | |
| MBT-12X3.15X1.5 | 12 | 18.3 | 1.5 | \$1.53 |
| MBT-14X3.15X1.5 | 14 | 20.3 | 1.5 | 1.53 |
| 3.5mm C/S | | | | |
| MBT-18X3.5X1.5 | 18 | 25 | 1.5 | \$1.99 |
| MBT-22X3.5X1.5 | 22 | 29 | 1.5 | 2.23 |
| 3.75mm C/S | | | | |
| MBT-28X3.75X3SB | 28 | 35.5 | 3 | \$7.79 |
| 3.8mm C/S | | | | |
| MBT-63.5X3.8X4.3SB | 63.5 | 71.1 | 4.3 | \$42.91 |
| 4mm C/S | | | | |
| MBT-16X4X2SB | 16 | 24 | 2 | \$3.58 |
| MBT-18X4X2SB | 18 | 26 | 2 | 4.20 |
| MBT-22X4X1SG | 22 | 30 | 1 | 8.73 |
| MBT-23.5X4X2SB | 23.5 | 31.5 | 2 | 4.50 |
| MBT-25X4X1SG | 25 | 33 | 1 | 10.19 |
| MBT-25X4X2SB | 25 | 33 | 2 | 5.41 |
| MBT-28X4X1.5 | 28 | 36 | 1.5 | 4.97 |
| MBT-32X4X1SG | 32 | 40 | 1 | 23.77 |
| MBT-36X4X1.5 | 36 | 44 | 1.5 | 3.34 |
| MBT-45X4X1.5 | 45 | 53 | 1.5 | 4.19 |
| 4.5mm C/S | | | | |
| MBT-71X4.5X3SB | 71 | 80 | 3 | \$19.21 |
| 4.75mm C/S | | | | |
| MBT-35.5X4.75X3SB | 35.5 | 45 | 3 | \$10.21 |
| 4.8mm C/S | | | | |
| MBT-32X4.8X1.5SG | 32 | 41.6 | 1.5 | \$14.73 |
| 5mm C/S | | | | |
| MBT-8X5X2SB | 8 | 18 | 2 | \$3.58 |
| MBT-10X5X2SB | 10 | 20 | 2 | 3.58 |
| MBT-14X5X2SB | 14 | 24 | 2 | 3.88 |
| MBT-15X5X2SB | 15 | 25 | 2 | 1.73 |
| MBT-16X5X2SB | 16 | 26 | 2 | 4.79 |
| MBT-18X5X2SB | 18 | 28 | 2 | 4.50 |
| MBT-20X5X2SB | 20 | 30 | 2 | 4.50 |
| MBT-25X5X2SB | 25 | 35 | 2 | 15.22 |
| MBT-30X5X1.5SG | 30 | 40 | 1.5 | 10.45 |

| Part Number | A Nom. ID | B Nom. OD | C Nom. Ht | List Price |
|------------------|-----------|-----------|-----------|------------|
| MBT-30X5X1.9SB | 30 | 40 | 1.9 | 3.39 |
| MBT-30X5X3SB | 30 | 40 | 3 | 8.67 |
| MBT-32X5X2SG | 32 | 42 | 2 | 13.60 |
| MBT-35X5X1.5SG | 35 | 45 | 1.5 | 10.88 |
| MBT-35X5X2SG | 35 | 45 | 2 | 13.60 |
| MBT-35X5X3SB | 35 | 45 | 3 | 28.51 |
| MBT-38X5X3SB | 38 | 48 | 3 | 17.90 |
| MBT-40X5X0.5 | 40 | 50 | .5 | 11.99 |
| MBT-40X5X1.5 | 40 | 50 | 1.5 | 11.14 |
| MBT-40X5X2SG | 40 | 50 | 2 | 22.52 |
| MBT-40X5X3SB | 40 | 50 | 3 | 20.28 |
| MBT-45X5X1.5SG | 45 | 55 | 1.5 | 10.45 |
| MBT-45X5X2SGM | 45 | 55 | 2 | 23.41 |
| MBT-45X5X3SGM | 45 | 55 | 3 | 28.51 |
| MBT-50X5X1.5SG | 50 | 60 | 1.5 | 11.32 |
| MBT-50X5X3SB | 50 | 60 | 3 | 30.26 |
| MBT-53X5X2SG | 53 | 63 | 2 | 7.04 |
| MBT-55X5X1.5SG | 55 | 65 | 1.5 | 11.47 |
| MBT-55X5X3SB | 55 | 65 | 3 | 37.05 |
| MBT-56X5X1.5 | 56 | 66 | 1.5 | 10.28 |
| MBT-56X5X3SB | 56 | 66 | 3 | 15.31 |
| MBT-60X5X1.5SG | 60 | 70 | 1.5 | 11.58 |
| MBT-60X5X3SB | 60 | 70 | 3 | 38.12 |
| MBT-63X5X3SB | 63 | 73 | 3 | 17.07 |
| MBT-65X5X1.5SG | 65 | 75 | 1.5 | 11.88 |
| MBT-65X5X3SB | 65 | 75 | 3 | 18.62 |
| MBT-67X5X3SB | 67 | 77 | 3 | 18.62 |
| MBT-70X5X1.5 | 70 | 80 | 1.5 | 11.86 |
| MBT-70X5X1.5SG | 70 | 80 | 1.5 | 12.31 |
| MBT-70X5X3SB | 70 | 80 | 3 | 29.73 |
| MBT-71X5X3SB | 71 | 81 | 3 | 19.48 |
| MBT-75X5X1.5SG | 75 | 85 | 1.5 | 12.59 |
| MBT-75X5X2SG | 75 | 85 | 2 | 19.06 |
| MBT-75X5X3SB | 75 | 85 | 3 | 32.24 |
| MBT-80X5X3SB | 80 | 90 | 3 | 33.76 |
| MBT-90X5X2SG | 90 | 100 | 2 | 16.50 |
| MBT-187X5X2B | 187 | 197 | 2 | 25.74 |
| MBT-215X5X2B | 215 | 225 | 2 | 38.63 |
| 5.3mm C/S | | | | |
| MBT-22.4X5.3X2SB | 22.4 | 33 | 2 | \$4.50 |

ROD U-SEALS BACK-UP RINGS

FORMERLY LISTED SEALS ARE AVAILABLE ONLINE AT WWW.HERCULESUS.COM
OR BY CONTACTING YOUR REGIONAL HERCULES SALES TEAM.



STYLE MBT U-SEAL BACK-UP RINGS

ROD U-SEALS BACK-UP RINGS

| Part Number | A Nom. ID | B Nom. OD | C Nom. Ht | List Price |
|------------------|-----------|-----------|-----------|------------|
| 5.5mm C/S | | | | |
| MBT-45X5.5X0.5 | 45 | 56 | .5 | \$9.79 |
| MBT-45X5.5X3SB | 45 | 56 | 3 | 12.93 |
| MBT-60X5.5X3SB | 60 | 71 | 3 | 17.42 |
| 6.5mm C/S | | | | |
| MBT-25X6.5X2SB | 25 | 38 | 2 | \$6.31 |
| MBT-27X6.5X3SB | 27 | 40 | 3 | 10.21 |
| MBT-30X6.5X3SB | 30 | 43 | 3 | 17.32 |
| MBT-31.5X6.5X3SB | 31.5 | 44.5 | 3 | 10.21 |
| MBT-40X6.5X2SG | 40 | 53 | 2 | 16.23 |
| MBT-42X6.5X2SG | 42 | 55 | 2 | 20.67 |
| MBT-50X6.5X2SG | 50 | 63 | 2 | 18.81 |
| MBT-50X6.5X3SB | 50 | 63 | 3 | 31.51 |
| MBT-55X6.5X3SB | 55 | 68 | 3 | 36.48 |
| MBT-60X6.5X3SB | 60 | 73 | 3 | 22.99 |
| MBT-65X6.5X3SB | 65 | 78 | 3 | 44.12 |
| MBT-66X6.5X3SB | 66 | 79 | 3 | 34.81 |
| MBT-70X6.5X3SB | 70 | 83 | 3 | 25.81 |
| MBT-75X6.5X3SB | 75 | 88 | 3 | 24.03 |
| MBT-80X6.5X3SB | 80 | 93 | 3 | 48.16 |
| MBT-112X6.5X3SB | 112 | 125 | 3 | 39.02 |
| 6.9mm C/S | | | | |
| MBT-76X6.9X3SB | 76 | 89.8 | 3 | \$42.91 |
| 7mm C/S | | | | |
| MBT-136X7X3SB | 136 | 150 | 3 | \$41.50 |
| 7.3mm C/S | | | | |
| MBT-50.4X7.3X3SB | 50.4 | 65 | 3 | \$16.42 |
| 7.5mm C/S | | | | |
| MBT-35X7.5X3SB | 35 | 50 | 3 | \$11.24 |
| MBT-35.5X7.5X3SB | 35.5 | 50.5 | 3 | 11.93 |
| MBT-40X7.5X3SB | 40 | 55 | 3 | 21.31 |
| MBT-45X7.5X3 | 45 | 60 | 3 | 39.90 |
| MBT-48X7.5X2SG | 48 | 63 | 2 | 15.31 |
| MBT-48X7.5X3SB | 48 | 63 | 3 | 14.66 |
| MBT-50X7.5X0.6 | 50 | 65 | .6 | 8.98 |
| MBT-50X7.5X2SG | 50 | 65 | 2 | 12.19 |
| MBT-50X7.5X3 | 50 | 65 | 3 | 18.00 |
| MBT-55X7.5X2SG | 55 | 70 | 2 | 12.60 |
| MBT-55X7.5X3 | 55 | 70 | 3 | 4.79 |
| MBT-55X7.5X3SB | 55 | 70 | 3 | 21.78 |
| MBT-60X7.5X0.5 | 60 | 75 | .5 | 28.51 |
| MBT-60X7.5X3SB | 60 | 75 | 3 | 28.38 |
| MBT-65X7.5X2SG | 65 | 80 | 2 | 15.95 |
| MBT-65X7.5X3SB | 65 | 80 | 3 | 41.43 |
| MBT-70X7.5X2SG | 70 | 85 | 2 | 16.90 |
| MBT-70X7.5X3SB | 70 | 85 | 3 | 22.31 |
| MBT-75X7.5X2SG | 75 | 90 | 2 | 19.16 |
| MBT-75X7.5X3SB | 75 | 90 | 3 | 39.34 |
| MBT-80X7.5X3SB | 80 | 95 | 3 | 33.48 |
| MBT-85X7.5X2SG | 85 | 100 | 2 | 14.16 |
| MBT-85X7.5X3SB | 85 | 100 | 3 | 56.26 |
| MBT-90X7.5X2SG | 90 | 105 | 2 | 14.57 |
| MBT-90X7.5X3SB | 90 | 105 | 3 | 42.03 |
| MBT-95X7.5X2SG | 95 | 110 | 2 | 16.36 |
| MBT-95X7.5X3SB | 95 | 110 | 3 | 59.26 |
| MBT-100X7.5X1.5 | 100 | 115 | 1.5 | 14.45 |

| Part Number | A Nom. ID | B Nom. OD | C Nom. Ht | List Price |
|------------------|-----------|-----------|-----------|------------|
| MBT-100X7.5X3SB | 100 | 115 | 3 | 56.14 |
| MBT-105X7.5X2SG | 105 | 120 | 2 | 17.48 |
| MBT-105X7.5X3SB | 105 | 120 | 3 | 57.76 |
| MBT-110X7.5X3SB | 110 | 125 | 3 | 59.26 |
| MBT-115X7.5X2G | 115 | 130 | 2 | 29.85 |
| MBT-115X7.5X3SB | 115 | 130 | 3 | 38.07 |
| MBT-120X7.5X3SB | 120 | 135 | 3 | 39.81 |
| MBT-125X7.5X3SB | 125 | 140 | 3 | 41.00 |
| MBT-130X7.5X3SB | 130 | 145 | 3 | 64.81 |
| MBT-135X7.5X3SB | 135 | 150 | 3 | 44.45 |
| MBT-140X7.5X3SB | 140 | 155 | 3 | 45.71 |
| MBT-145X7.5X3SB | 145 | 160 | 3 | 47.38 |
| MBT-150X7.5X3SB | 150 | 165 | 3 | 49.12 |
| MBT-155X7.5X4SB | 155 | 170 | 4 | 47.15 |
| MBT-160X7.5X4SB | 160 | 175 | 4 | 49.40 |
| MBT-165X7.5X4SB | 165 | 180 | 4 | 52.09 |
| MBT-175X7.5X4SB | 175 | 190 | 4 | 57.69 |
| 8mm C/S | | | | |
| MBT-32X8X3B | 32 | 48 | 3 | \$21.29 |
| MBT-34X8X3SB | 34 | 50 | 3 | 12.17 |
| MBT-40X8X3SB | 40 | 56 | 3 | 13.98 |
| MBT-45X8X3SB | 45 | 61 | 3 | 15.56 |
| MBT-50X8X3G | 50 | 66 | 3 | 25.51 |
| MBT-55X8X3SB | 55 | 71 | 3 | 38.27 |
| MBT-64X8X3SB | 64 | 80 | 3 | 21.81 |
| 8.5mm C/S | | | | |
| MBT-115X8.5X3SB | 115 | 132 | 3 | \$43.48 |
| 10mm C/S | | | | |
| MBT-125X10X4SB | 125 | 145 | 4 | \$28.89 |
| MBT-150X10X4SB | 150 | 170 | 4 | 31.11 |
| 10mm C/S | | | | |
| MBT-45X10X3B | 45 | 65 | 3 | \$27.68 |
| MBT-50X10X3SB | 50 | 70 | 3 | 19.69 |
| MBT-55X10X3SB | 55 | 75 | 3 | 43.38 |
| MBT-60X10X3SB | 60 | 80 | 3 | 21.07 |
| MBT-65X10X3 | 65 | 85 | 3 | 31.51 |
| MBT-70X10X3C | 70 | 90 | 3 | 28.25 |
| MBT-70X10X4SB | 70 | 90 | 4 | 26.69 |
| MBT-75X10X2C | 75 | 95 | 2 | 29.12 |
| MBT-75X10X3SB | 75 | 95 | 3 | 27.81 |
| MBT-84X10X2.5SG | 84 | 104 | 2.5 | 84.47 |
| MBT-85X10X3SB | 85 | 105 | 3 | 32.42 |
| MBT-90X10X3 | 90 | 110 | 3 | 33.76 |
| MBT-95X10X3 | 95 | 115 | 3 | 35.12 |
| MBT-100X10X3SB | 100 | 120 | 3 | 36.51 |
| MBT-105X10X3SB | 105 | 125 | 3 | 37.81 |
| MBT-110X10X3SB | 110 | 130 | 3 | 41.90 |
| MBT-115X10X3SB | 115 | 135 | 3 | 58.24 |
| MBT-115X10X4SB | 115 | 135 | 4 | 15.28 |
| MBT-120X10X3SB | 120 | 140 | 3 | 43.22 |
| MBT-130X10X3SB | 130 | 150 | 3 | 46.62 |
| MBT-135X10X3SB | 135 | 155 | 3 | 47.64 |
| MBT-140X10X3SB | 140 | 160 | 3 | 47.43 |
| MBT-140X10X4SB | 140 | 160 | 4 | 42.65 |
| MBT-145X10X3SB | 145 | 165 | 3 | 50.78 |
| MBT-150X10X3SB | 150 | 170 | 3 | 48.62 |



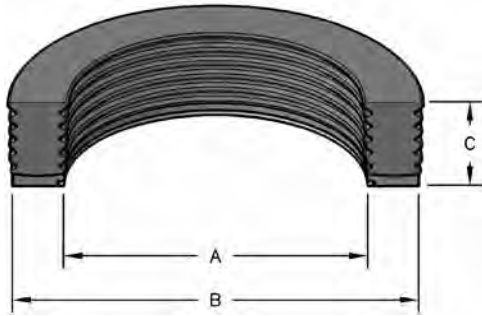
STYLE MBT U-SEAL BACK-UP RINGS

| Part Number | A Nom. ID | B Nom. OD | C Nom. Ht | List Price |
|-------------------|--------------|--------------|--------------|---------------|
| MBT-160X10X3SB | 160 | 180 | 3 | 52.66 |
| MBT-160X10X4SB | 160 | 180 | 4 | 69.26 |
| MBT-170X10X4SB | 170 | 190 | 4 | 73.12 |
| 12.5mm C/S | | | | |
| MBT-125X12.5X3SB | 125 | 150 | 3 | \$55.93 |
| MBT-140X12.5X3SB | 140 | 165 | 3 | 62.31 |
| MBT-155X12.5X4SB | 155 | 180 | 4 | 85.27 |
| MBT-175X12.5X4SB | 175 | 200 | 4 | 95.52 |
| MBT-190X12.5X4SB | 190 | 215 | 4 | 52.00 |
| MBT-200X12.5X4SB | 200 | 225 | 4 | 78.02 |
| MBT-280X12.5X4SB | 280 | 305 | 4 | 148.58 |

ROD U-SEALS BACK-UP RINGS

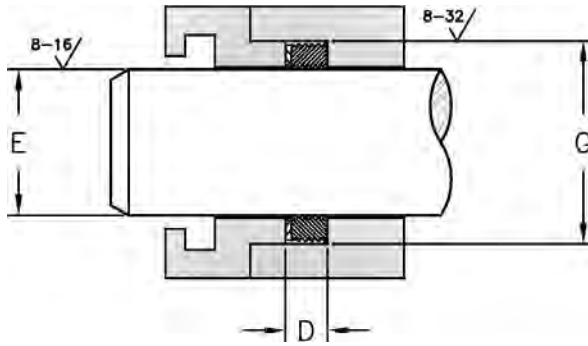
STYLE MSMR ROD SEAL W/BACK-UP RINGS

With redundant nitrile lips and an acetal back-up, this seal features high sealability and extrusion resistance.



HERCULES PART NUMBERS

MSMR- 25 x 37 x 21.5
 Type of Seal Inside Diameter Outside Diameter Height



SEAL INFORMATION

| | |
|-------------------|---|
| MATERIAL | NBR SEAL ACETAL BACK-UP HEADER OF URETHANE, ACETAL, OR FABRIC - REINFORCED RUBBER |
| TEMPERATURE RANGE | -22° TO +212° F |
| PRESSURE RANGE | 0 TO 10,000 PSI |
| SPEED | 3 FT/SEC |

Seal color may vary.

ROD U-SEALS BACK-UP RINGS

| Part Number | A Nom. ID | B Nom. OD | C Nom. Ht | D GROOVE WIDTH | E ROD DIAMETER | G HOUSING DIAMETER | List Price |
|-----------------|--------------|--------------|--------------|-------------------------|-------------------------|--------------------------|---------------|
| MSMR-25X37X21.5 | 25 | 37 | 21.5 | 21.50 +0.25 +0.00 | 25.00 +0.00 -0.13 | 37.00 ±0.03 | \$28.57 |
| MSMR-32X47X22.5 | 32 | 47 | 22.5 | 22.50 +0.25 +0.00 | 32.00 +0.00 -0.16 | 47.00 ±0.03 | 17.03 |
| MSMR-35X47X21 | 35 | 47 | 21 | 21.00 +0.25 +0.00 | 35.00 +0.00 -0.16 | 47.00 ±0.03 | 13.76 |
| MSMR-40X52X22.5 | 40 | 52 | 22.5 | 22.50 +0.25 +0.00 | 40.00 +0.00 -0.16 | 52.00 ±0.03 | 14.40 |
| MSMR-40X55X22.5 | 40 | 55 | 22.5 | 22.50 +0.25 +0.00 | 40.00 +0.00 -0.16 | 55.00 ±0.03 | 16.00 |
| MSMR-45X60X22.5 | 45 | 60 | 22.5 | 22.50 +0.25 +0.00 | 45.00 +0.00 -0.16 | 60.00 ±0.03 | 22.17 |
| MSMR-45X65X28 | 45 | 65 | 28 | 28.00 +0.25 +0.00 | 45.00 +0.00 -0.16 | 65.00 ±0.03 | 44.37 |
| MSMR-50X63X20 | 50 | 63 | 20 | 20.00 +0.25 +0.00 | 50.00 +0.00 -0.16 | 63.00 ±0.03 | 15.88 |
| MSMR-50X65X21 | 50 | 65 | 22.5 | 22.50 +0.25 +0.00 | 50.00 +0.00 -0.16 | 65.00 ±0.03 | 18.90 |
| MSMR-50X65X22.5 | 50 | 65 | 22.5 | 22.50 +0.25 +0.00 | 50.00 +0.00 -0.16 | 65.00 ±0.03 | 18.90 |
| MSMR-50X65X24.5 | 50 | 65 | 24.5 | 24.50 +0.25 +0.00 | 50.00 +0.00 -0.16 | 65.00 ±0.03 | 22.50 |
| MSMR-55X70X21 | 55 | 70 | 21 | 21.00 +0.25 +0.00 | 55.00 +0.00 -0.19 | 70.00 ±0.03 | 17.27 |
| MSMR-55X70X22.5 | 55 | 70 | 22.5 | 22.50 +0.25 +0.00 | 55.00 +0.00 -0.19 | 70.00 ±0.03 | 39.68 |
| MSMR-55X70X25 | 55 | 70 | 25 | 25.00 +0.25 +0.00 | 55.00 +0.00 -0.19 | 70.00 ±0.03 | 19.15 |



STYLE MSMR ROD SEAL W/BACK-UP RINGS

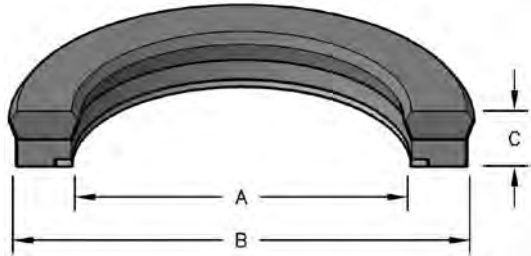
| Part Number | A Nom. ID | B Nom. OD | C Nom. Ht | D GROOVE WIDTH | E ROD DIAMETER | G HOUSING DIAMETER | List Price |
|-------------------|--------------|--------------|--------------|---|--|--------------------------|---------------|
| MSMR-56X71X24 | 56 | 71 | 24 | 24.00 ^{+0.25} / _{+0.00} | 56.00 ^{+0.00} / _{-0.19} | 71.00 ±0.03 | 20.65 |
| MSMR-60X75X22.5 | 60 | 75 | 22.5 | 22.50 ^{+0.25} / _{+0.00} | 60.00 ^{+0.00} / _{-0.19} | 75.00 ±0.03 | 20.22 |
| MSMR-60X80X30 | 60 | 80 | 30 | 30.00 ^{+0.25} / _{+0.00} | 60.00 ^{+0.00} / _{-0.19} | 80.00 ±0.03 | 20.48 |
| MSMR-60X80X31 | 60 | 80 | 31 | 31.00 ^{+0.25} / _{+0.00} | 60.00 ^{+0.00} / _{-0.19} | 80.00 ±0.03 | 20.65 |
| MSMR-63X83X25 | 63 | 83 | 25 | 25.00 ^{+0.25} / _{+0.00} | 63.00 ^{+0.00} / _{-0.19} | 83.00 ±0.04 | 29.00 |
| MSMR-63X83X27 | 63 | 83 | 27 | 27.00 ^{+0.25} / _{+0.00} | 63.00 ^{+0.00} / _{-0.19} | 83.00 ±0.04 | 50.44 |
| MSMR-63X83X30 | 63 | 83 | 30 | 30.00 ^{+0.25} / _{+0.00} | 63.00 ^{+0.00} / _{-0.19} | 83.00 ±0.04 | 25.21 |
| MSMR-65X85X29 | 65 | 85 | 29 | 29.00 ^{+0.25} / _{+0.00} | 65.00 ^{+0.00} / _{-0.19} | 85.00 ±0.04 | 41.51 |
| MSMR-70X83X25 | 70 | 83 | 25 | 25.00 ^{+0.25} / _{+0.00} | 70.00 ^{+0.00} / _{-0.19} | 83.00 ±0.04 | 22.61 |
| MSMR-70X85X22.5 | 70 | 85 | 22.5 | 22.50 ^{+0.25} / _{+0.00} | 70.00 ^{+0.00} / _{-0.19} | 85.00 ±0.04 | 23.53 |
| MSMR-70X90X28 | 70 | 90 | 28 | 28.00 ^{+0.25} / _{+0.00} | 70.00 ^{+0.00} / _{-0.19} | 90.00 ±0.04 | 22.30 |
| MSMR-70X90X30 | 70 | 90 | 30 | 30.00 ^{+0.25} / _{+0.00} | 70.00 ^{+0.00} / _{-0.19} | 90.00 ±0.04 | 33.74 |
| MSMR-80X95X22.5 | 80 | 95 | 22.5 | 22.50 ^{+0.25} / _{+0.00} | 80.00 ^{+0.00} / _{-0.19} | 95.00 ±0.04 | 71.66 |
| MSMR-80X100X30 | 80 | 100 | 30 | 30.00 ^{+0.25} / _{+0.00} | 80.00 ^{+0.00} / _{-0.19} | 100.00 ±0.04 | 35.42 |
| MSMR-90X110X30 | 90 | 110 | 30 | 30.00 ^{+0.25} / _{+0.00} | 90.00 ^{+0.00} / _{-0.22} | 110.00 ±0.04 | 36.20 |
| MSMR-95X110X21.5 | 95 | 110 | 21.5 | 21.50 ^{+0.25} / _{+0.00} | 95.00 ^{+0.00} / _{-0.22} | 110.00 ±0.04 | 26.94 |
| MSMR-95X115X26 | 95 | 115 | 26 | 26.00 ^{+0.25} / _{+0.00} | 95.00 ^{+0.00} / _{-0.22} | 115.00 ±0.04 | 30.22 |
| MSMR-100X120X30 | 100 | 120 | 30 | 30.00 ^{+0.25} / _{+0.00} | 100.00 ^{+0.00} / _{-0.22} | 120.00 ±0.04 | 31.70 |
| MSMR-105X125X30 | 105 | 125 | 30 | 30.00 ^{+0.25} / _{+0.00} | 105.00 ^{+0.00} / _{-0.22} | 125.00 ±0.05 | 38.34 |
| MSMR-115X130X21 | 115 | 130 | 21 | 21.00 ^{+0.25} / _{+0.00} | 115.00 ^{+0.00} / _{-0.22} | 130.00 ±0.05 | 28.69 |
| MSMR-125X140X21 | 125 | 140 | 21 | 21.00 ^{+0.25} / _{+0.00} | 125.00 ^{+0.00} / _{-0.25} | 140.00 ±0.05 | 30.54 |
| MSMR-125X145X28 | 125 | 145 | 28 | 28.00 ^{+0.25} / _{+0.00} | 125.00 ^{+0.00} / _{-0.25} | 145.00 ±0.05 | 35.97 |
| MSMR-140X160X30 | 140 | 160 | 30 | 30.00 ^{+0.25} / _{+0.00} | 140.00 ^{+0.00} / _{-0.25} | 160.00 ±0.05 | 78.46 |
| MSMR-160X180X26.5 | 160 | 180 | 26.5 | 28.00 ^{+0.25} / _{+0.00} | 160.00 ^{+0.00} / _{-0.25} | 180.00 ±0.05 | 85.50 |
| MSMR-200X225X34 | 200 | 225 | 34 | 34.00 ^{+0.25} / _{+0.00} | 200.00 ^{+0.00} / _{-0.29} | 225.00 ±0.05 | 105.32 |

ROD U-SEALS BACK-UP RINGS



STYLE MUFN-EI ROD U-SEALS W/BACK-UP RINGS

Incorporating a rubber seal lip, a rubberized fabric heel, and an acetal back-up ring, this seal provides excellent sealability and high extrusion resistance.

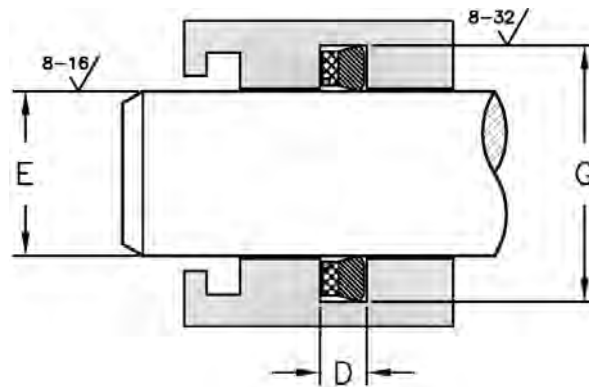


HERCULES PART NUMBERS

MUFN - 16 X 24 X 6.5EI
 Type of Seal Inside Diameter Outside Diameter Height

SEAL INFORMATION

| | |
|-------------------|--|
| MATERIAL | NBR 80 DURO SEAL NEO-FAB HEEL ACETAL ANTI-EXTRUSION RING |
| TEMPERATURE RANGE | -22° TO +212° F |
| PRESSURE RANGE | 0 TO 6,000 PSI |
| SPEED | 1.5 FT/SEC |



ROD U-SEALS BACK-UP RINGS

| Part Number | A Nom. ID | B Nom. OD | C Nom. Ht | D GROOVE WIDTH | E ROD DIAMETER | G HOUSING DIAMETER | List Price |
|------------------|--------------|--------------|--------------|---|---|--------------------------|---------------|
| MUFN-16X24X6.5EI | 16 | 24 | 6.5 | 7.50 ^{+0.20} / _{+0.00} | 16.00 ^{-0.016} / _{-0.043} | 24.00 ±0.065 | \$8.64 |
| MUFN-20X28X6.5EI | 20 | 28 | 6.5 | 7.50 ^{+0.20} / _{+0.00} | 20.00 ^{-0.020} / _{-0.053} | 28.00 ±0.065 | 8.23 |
| MUFN-22X30X6.5EI | 22 | 30 | 6.5 | 7.50 ^{+0.20} / _{+0.00} | 22.00 ^{-0.020} / _{-0.053} | 30.00 ±0.065 | 8.48 |
| MUFN-22X35X9.5EI | 22 | 35 | 9.5 | 10.50 ^{+0.20} / _{+0.00} | 22.00 ^{-0.020} / _{-0.053} | 35.00 ±0.08 | 9.47 |
| MUFN-25X33X6EI | 25 | 33 | 6 | 7.00 ^{+0.20} / _{+0.00} | 25.00 ^{-0.020} / _{-0.053} | 33.00 ±0.08 | 7.58 |
| MUFN-25X33X6.5EI | 25 | 33 | 6.5 | 7.50 ^{+0.20} / _{+0.00} | 25.00 ^{-0.020} / _{-0.053} | 33.00 ±0.08 | 8.48 |
| MUFN-25X33X7EI | 25 | 33 | 7 | 8.00 ^{+0.20} / _{+0.00} | 25.00 ^{-0.020} / _{-0.053} | 33.00 ±0.08 | 9.71 |
| MUFN-25X35X7.5EI | 25 | 35 | 7.5 | 8.50 ^{+0.20} / _{+0.00} | 25.00 ^{-0.020} / _{-0.053} | 35.00 ±0.08 | 7.42 |
| MUFN-25X35X8EI | 25 | 35 | 8 | 9.00 ^{+0.20} / _{+0.00} | 25.00 ^{-0.020} / _{-0.053} | 35.00 ±0.08 | 7.83 |
| MUFN-25X37X10EI | 25 | 37 | 10 | 11.00 ^{+0.20} / _{+0.00} | 25.00 ^{-0.020} / _{-0.053} | 37.00 ±0.08 | 9.03 |
| MUFN-25X38X9.5EI | 25 | 38 | 9.5 | 10.50 ^{+0.20} / _{+0.00} | 25.00 ^{-0.020} / _{-0.053} | 38.00 ±0.08 | 9.47 |
| MUFN-28X38X7.5EI | 28 | 38 | 8 | 9.00 ^{+0.20} / _{+0.00} | 28.00 ^{-0.020} / _{-0.053} | 38.00 ±0.08 | 9.03 |
| MUFN-28X38X8EI | 28 | 38 | 8 | 9.00 ^{+0.20} / _{+0.00} | 28.00 ^{-0.020} / _{-0.053} | 38.00 ±0.08 | 9.03 |
| MUFN-28X40X9EI | 28 | 40 | 9 | 10.00 ^{+0.20} / _{+0.00} | 28.00 ^{-0.020} / _{-0.053} | 40.00 ±0.08 | 7.99 |

NORTH AMERICA
 PHONE 1-800-777-5617
 FAX 1-800-759-6391

SALES OFFICE HOURS
 8 A.M. TO 7:30 P.M. EASTERN TIME
 www.HerculesUS.com

WORLDWIDE
 PHONE 1-727-796-1300
 FAX 1-727-797-8849



STYLE MUFN-EI ROD U-SEALS W/BACK-UP RINGS

| Part Number | A Nom. ID | B Nom. OD | C Nom. Ht | D GROOVE WIDTH | E ROD DIAMETER | G HOUSING DIAMETER | List Price |
|----------------------|--------------|--------------|--------------|---|---|--------------------------|---------------|
| MUFN-30X38X6EI | 30 | 38 | 6 | 7.00 ^{+0.20} / _{+0.00} | 30.00 ^{-0.020} / _{-0.053} | 38.00 ±0.08 | 7.99 |
| MUFN-30X40X7EI | 30 | 40 | 7 | 8.00 ^{+0.20} / _{+0.00} | 30.00 ^{-0.020} / _{-0.053} | 40.00 ±0.08 | 9.47 |
| MUFN-30X40X10EI | 30 | 40 | 10 | 11.00 ^{+0.20} / _{+0.00} | 30.00 ^{-0.020} / _{-0.053} | 40.00 ±0.08 | 9.30 |
| MUFN-30X45X10.5EI | 30 | 45 | 10.5 | 11.50 ^{+0.20} / _{+0.00} | 30.00 ^{-0.020} / _{-0.053} | 45.00 ±0.08 | 9.87 |
| MUFN-32X40X8.5EI | 32 | 40 | 8.5 | 9.50 ^{+0.20} / _{+0.00} | 32.00 ^{-0.025} / _{-0.064} | 40.00 ±0.08 | 9.87 |
| MUFN-32X42X8EI | 32 | 42 | 8 | 9.00 ^{+0.20} / _{+0.00} | 32.00 ^{-0.025} / _{-0.064} | 42.00 ±0.08 | 7.99 |
| MUFN-32X45X9.5EI | 32 | 45 | 9.5 | 10.50 ^{+0.20} / _{+0.00} | 32.00 ^{-0.025} / _{-0.064} | 45.00 ±0.08 | 9.03 |
| MUFN-35X43X6EI | 35 | 43 | 6 | 7.00 ^{+0.20} / _{+0.00} | 35.00 ^{-0.025} / _{-0.064} | 43.00 ±0.08 | 10.67 |
| MUFN-35X45X6.5EI | 35 | 45 | 6.5 | 7.50 ^{+0.20} / _{+0.00} | 35.00 ^{-0.025} / _{-0.064} | 45.00 ±0.08 | 9.87 |
| MUFN-35X45X7.5EI | 35 | 45 | 7.5 | 8.50 ^{+0.20} / _{+0.00} | 35.00 ^{-0.025} / _{-0.064} | 45.00 ±0.08 | 9.87 |
| MUFN-35X45X10EI | 35 | 45 | 10 | 11.00 ^{+0.20} / _{+0.00} | 35.00 ^{-0.025} / _{-0.064} | 45.00 ±0.08 | 9.58 |
| MUFN-35X50X10.5EI | 35 | 50 | 10.5 | 11.50 ^{+0.20} / _{+0.00} | 35.00 ^{-0.025} / _{-0.064} | 50.00 ±0.08 | 10.12 |
| MUFN-36X43X6EI | 36 | 43 | 6 | 7.00 ^{+0.20} / _{+0.00} | 36.00 ^{-0.025} / _{-0.064} | 43.00 ±0.08 | 15.40 |
| MUFN-36X46X8EI | 36 | 46 | 8 | 9.00 ^{+0.20} / _{+0.00} | 36.00 ^{-0.025} / _{-0.064} | 46.00 ±0.08 | 9.87 |
| MUFN-36X48X9EI | 36 | 48 | 9 | 10.00 ^{+0.20} / _{+0.00} | 36.00 ^{-0.025} / _{-0.064} | 48.00 ±0.08 | 10.01 |
| MUFN-38.1X50.8X9.5EI | 38.1 | 50.8 | 9.5 | 10.50 ^{+0.20} / _{+0.00} | 38.10 ^{-0.025} / _{-0.064} | 50.80 ±0.095 | 6.77 |
| MUFN-40X48X6EI | 40 | 48 | 6 | 7.00 ^{+0.20} / _{+0.00} | 40.00 ^{-0.025} / _{-0.064} | 48.00 ±0.08 | 10.12 |
| MUFN-40X50X7.5EI | 40 | 50 | 7.5 | 8.50 ^{+0.20} / _{+0.00} | 40.00 ^{-0.025} / _{-0.064} | 50.00 ±0.08 | 9.20 |
| MUFN-40X50X10EI | 40 | 50 | 10 | 11.00 ^{+0.20} / _{+0.00} | 40.00 ^{-0.025} / _{-0.064} | 50.00 ±0.08 | 8.48 |
| MUFN-40X50X10.5EI | 40 | 50 | 10.5 | 11.50 ^{+0.20} / _{+0.00} | 40.00 ^{-0.025} / _{-0.064} | 50.00 ±0.08 | 10.28 |
| MUFN-40X52X10.5EI | 40 | 52 | 10.5 | 11.50 ^{+0.20} / _{+0.00} | 40.00 ^{-0.025} / _{-0.064} | 52.00 ±0.095 | 10.80 |
| MUFN-40X55X10.5EI | 40 | 55 | 10.5 | 11.50 ^{+0.20} / _{+0.00} | 40.00 ^{-0.025} / _{-0.064} | 55.00 ±0.095 | 10.01 |
| MUFN-45X53X8EI | 45 | 53 | 8 | 9.00 ^{+0.20} / _{+0.00} | 45.00 ^{-0.025} / _{-0.064} | 53.00 ±0.095 | 11.09 |
| MUFN-45X53X10.5EI | 45 | 53 | 10.5 | 11.50 ^{+0.20} / _{+0.00} | 45.00 ^{-0.025} / _{-0.064} | 53.00 ±0.095 | 11.35 |
| MUFN-45X55X7EI | 45 | 55 | 7 | 8.00 ^{+0.20} / _{+0.00} | 45.00 ^{-0.025} / _{-0.064} | 55.00 ±0.095 | 11.50 |
| MUFN-45X55X7.5EI | 45 | 55 | 7.5 | 8.50 ^{+0.20} / _{+0.00} | 45.00 ^{-0.025} / _{-0.064} | 55.00 ±0.095 | 11.50 |
| MUFN-45X55X10.5EI | 45 | 55 | 10.5 | 11.50 ^{+0.20} / _{+0.00} | 45.00 ^{-0.025} / _{-0.064} | 55.00 ±0.095 | 11.35 |
| MUFN-45X60X10EI | 45 | 60 | 10 | 11.00 ^{+0.20} / _{+0.00} | 45.00 ^{-0.025} / _{-0.064} | 60.00 ±0.095 | 10.80 |
| MUFN-45X60X10.5EI | 45 | 60 | 10.5 | 11.50 ^{+0.20} / _{+0.00} | 45.00 ^{-0.025} / _{-0.064} | 60.00 ±0.095 | 11.35 |
| MUFN-45X65X14EI | 45 | 65 | 14 | 15.00 ^{+0.20} / _{+0.00} | 45.00 ^{-0.025} / _{-0.064} | 65.00 ±0.095 | 11.89 |
| MUFN-48X60X10.5EI | 48 | 60 | 10.5 | 11.50 ^{+0.20} / _{+0.00} | 48.00 ^{-0.025} / _{-0.064} | 60.00 ±0.095 | 11.50 |
| MUFN-50X60X7.5EI | 50 | 60 | 7.5 | 8.50 ^{+0.20} / _{+0.00} | 50.00 ^{-0.025} / _{-0.064} | 60.00 ±0.095 | 11.35 |
| MUFN-50X60X9.5EI | 50 | 60 | 9.5 | 10.50 ^{+0.20} / _{+0.00} | 50.00 ^{-0.025} / _{-0.064} | 60.00 ±0.095 | 16.59 |

ROD U-SEALS BACK-UP RINGS



STYLE MUFN-EI ROD U-SEALS W/BACK-UP RINGS

ROD U-SEALS BACK-UP RINGS

| Part Number | A Nom. ID | B Nom. OD | C Nom. Ht | D GROOVE WIDTH | E ROD DIAMETER | G HOUSING DIAMETER | List Price |
|-------------------|--------------|--------------|--------------|---|---|--------------------------|---------------|
| MUFN-50X60X10EI | 50 | 60 | 10 | 11.00 ^{+0.20} / _{+0.00} | 50.00 ^{-0.025} / _{-0.064} | 60.00 ±0.095 | 12.84 |
| MUFN-50X62X9EI | 50 | 62 | 9 | 10.00 ^{+0.20} / _{+0.00} | 50.00 ^{-0.025} / _{-0.064} | 62.00 ±0.095 | 11.50 |
| MUFN-50X62X9.5EI | 50 | 62 | 9.5 | 10.50 ^{+0.20} / _{+0.00} | 50.00 ^{-0.025} / _{-0.064} | 62.00 ±0.095 | 11.50 |
| MUFN-50X65X10.5EI | 50 | 65 | 10.5 | 11.50 ^{+0.20} / _{+0.00} | 50.00 ^{-0.025} / _{-0.064} | 65.00 ±0.095 | 12.18 |
| MUFN-50X65X11EI | 50 | 65 | 11 | 12.00 ^{+0.20} / _{+0.00} | 50.00 ^{-0.025} / _{-0.064} | 65.00 ±0.095 | 19.19 |
| MUFN-50X70X13.5EI | 50 | 70 | 13.5 | 14.50 ^{+0.20} / _{+0.00} | 50.00 ^{-0.025} / _{-0.064} | 70.00 ±0.095 | 12.18 |
| MUFN-50X70X14EI | 50 | 70 | 14 | 15.00 ^{+0.20} / _{+0.00} | 50.00 ^{-0.025} / _{-0.064} | 70.00 ±0.095 | 12.18 |
| MUFN-55X65X7.5EI | 55 | 65 | 7.5 | 8.50 ^{+0.20} / _{+0.00} | 55.00 ^{-0.030} / _{-0.076} | 65.00 ±0.095 | 10.46 |
| MUFN-55X65X10.5EI | 55 | 65 | 10.5 | 11.50 ^{+0.20} / _{+0.00} | 55.00 ^{-0.030} / _{-0.076} | 65.00 ±0.095 | 10.94 |
| MUFN-55X70X10EI | 55 | 70 | 10 | 11.00 ^{+0.20} / _{+0.00} | 55.00 ^{-0.030} / _{-0.076} | 70.00 ±0.095 | 12.00 |
| MUFN-56X71X10EI | 56 | 71 | 10 | 11.00 ^{+0.20} / _{+0.00} | 56.00 ^{-0.030} / _{-0.076} | 71.00 ±0.095 | 13.29 |
| MUFN-56X71X12EI | 56 | 71 | 12 | 13.00 ^{+0.20} / _{+0.00} | 56.00 ^{-0.030} / _{-0.076} | 71.00 ±0.095 | 15.00 |
| MUFN-60X70X7.5EI | 60 | 70 | 7.5 | 8.50 ^{+0.20} / _{+0.00} | 60.00 ^{-0.030} / _{-0.076} | 70.00 ±0.095 | 17.03 |
| MUFN-60X70X9.5EI | 60 | 70 | 9.5 | 10.50 ^{+0.20} / _{+0.00} | 60.00 ^{-0.030} / _{-0.076} | 70.00 ±0.095 | 12.69 |
| MUFN-60X70X10.5EI | 60 | 70 | 10.5 | 11.50 ^{+0.20} / _{+0.00} | 60.00 ^{-0.030} / _{-0.076} | 70.00 ±0.095 | 12.41 |
| MUFN-60X70X12.5EI | 60 | 70 | 12.5 | 13.50 ^{+0.20} / _{+0.00} | 60.00 ^{-0.030} / _{-0.076} | 70.00 ±0.095 | 12.32 |
| MUFN-60X72X9.5EI | 60 | 72 | 9.5 | 10.50 ^{+0.20} / _{+0.00} | 60.00 ^{-0.030} / _{-0.076} | 72.00 ±0.095 | 13.92 |
| MUFN-60X75X12.5EI | 60 | 75 | 12.5 | 13.50 ^{+0.20} / _{+0.00} | 60.00 ^{-0.030} / _{-0.076} | 75.00 ±0.095 | 13.92 |
| MUFN-63X75X10EI | 63 | 75 | 10 | 11.00 ^{+0.20} / _{+0.00} | 63.00 ^{-0.030} / _{-0.076} | 75.00 ±0.095 | 20.66 |
| MUFN-63X78X12.5EI | 63 | 78 | 12.5 | 13.50 ^{+0.20} / _{+0.00} | 63.00 ^{-0.030} / _{-0.076} | 78.00 ±0.095 | 16.48 |
| MUFN-65X75X13EI | 65 | 75 | 13 | 14.00 ^{+0.20} / _{+0.00} | 65.00 ^{-0.030} / _{-0.076} | 75.00 ±0.095 | 13.92 |
| MUFN-65X85X14EI | 65 | 85 | 14 | 15.00 ^{+0.20} / _{+0.00} | 65.00 ^{-0.030} / _{-0.076} | 85.00 ±0.11 | 15.67 |
| MUFN-70X80X12.5EI | 70 | 80 | 12.5 | 13.50 ^{+0.20} / _{+0.00} | 70.00 ^{-0.030} / _{-0.076} | 80.00 ±0.095 | 13.23 |
| MUFN-70X84X12EI | 70 | 84 | 12 | 13.00 ^{+0.20} / _{+0.00} | 70.00 ^{-0.030} / _{-0.076} | 84.00 ±0.11 | 14.36 |
| MUFN-70X85X12EI | 70 | 85 | 12 | 13.00 ^{+0.20} / _{+0.00} | 70.00 ^{-0.030} / _{-0.076} | 85.00 ±0.11 | 14.61 |
| MUFN-70X90X14EI | 70 | 90 | 14 | 15.00 ^{+0.20} / _{+0.00} | 70.00 ^{-0.030} / _{-0.076} | 90.00 ±0.11 | 15.92 |
| MUFN-75X85X12EI | 75 | 85 | 12 | 13.00 ^{+0.20} / _{+0.00} | 75.00 ^{-0.030} / _{-0.076} | 85.00 ±0.11 | 16.33 |
| MUFN-80X95X10EI | 80 | 95 | 10 | 11.00 ^{+0.20} / _{+0.00} | 80.00 ^{-0.030} / _{-0.076} | 95.00 ±0.11 | 18.11 |
| MUFN-80X95X12.5EI | 80 | 95 | 12.5 | 13.50 ^{+0.20} / _{+0.00} | 80.00 ^{-0.030} / _{-0.076} | 95.00 ±0.11 | 18.11 |
| MUFN-80X96X10EI | 80 | 96 | 10 | 11.00 ^{+0.20} / _{+0.00} | 80.00 ^{-0.030} / _{-0.076} | 96.00 ±0.11 | 18.64 |
| MUFN-80X100X12EI | 80 | 100 | 12 | 13.00 ^{+0.20} / _{+0.00} | 80.00 ^{-0.030} / _{-0.076} | 100.00 ±0.11 | 18.11 |
| MUFN-80X100X14EI | 80 | 100 | 14 | 15.00 ^{+0.20} / _{+0.00} | 80.00 ^{-0.030} / _{-0.076} | 100.00 ±0.11 | 18.51 |
| MUFN-85X100X12EI | 85 | 100 | 12 | 13.00 ^{+0.20} / _{+0.00} | 85.00 ^{-0.036} / _{-0.090} | 100.00 ±0.11 | 17.97 |



STYLE MUFN-EI ROD U-SEALS W/BACK-UP RINGS

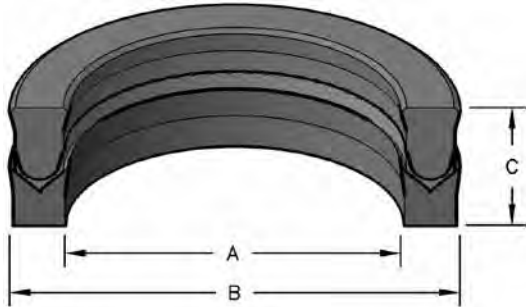
| Part Number | A Nom. ID | B Nom. OD | C Nom. Ht | D GROOVE WIDTH | E ROD DIAMETER | G HOUSING DIAMETER | List Price |
|---------------------|--------------|--------------|--------------|---|--|--------------------------|---------------|
| MUFN-90X100X10.5EI | 90 | 100 | 10.5 | 11.50 ^{+0.20} / _{+0.00} | 90.00 ^{-0.036} / _{-0.090} | 100.00 ±0.11 | 18.11 |
| MUFN-90X105X12EI | 90 | 105 | 12 | 13.00 ^{+0.20} / _{+0.00} | 90.00 ^{-0.036} / _{-0.090} | 105.00 ±0.11 | 18.79 |
| MUFN-90X110X12EI | 90 | 110 | 12 | 13.00 ^{+0.20} / _{+0.00} | 90.00 ^{-0.036} / _{-0.090} | 110.00 ±0.11 | 18.51 |
| MUFN-90X110X14EI | 90 | 110 | 14 | 15.00 ^{+0.20} / _{+0.00} | 90.00 ^{-0.036} / _{-0.090} | 110.00 ±0.11 | 20.26 |
| MUFN-95X110X12EI | 95 | 110 | 12 | 13.00 ^{+0.20} / _{+0.00} | 95.00 ^{-0.036} / _{-0.090} | 110.00 ±0.11 | 52.58 |
| MUFN-100X115X12EI | 100 | 115 | 12 | 13.00 ^{+0.20} / _{+0.00} | 100.00 ^{-0.036} / _{-0.090} | 115.00 ±0.11 | 21.89 |
| MUFN-100X120X11.5EI | 100 | 120 | 11.5 | 12.50 ^{+0.20} / _{+0.00} | 100.00 ^{-0.036} / _{-0.090} | 120.00 ±0.11 | 21.89 |
| MUFN-100X120X12EI | 100 | 120 | 12 | 13.00 ^{+0.20} / _{+0.00} | 100.00 ^{-0.036} / _{-0.090} | 120.00 ±0.11 | 19.05 |
| MUFN-100X120X14EI | 100 | 120 | 14 | 15.00 ^{+0.20} / _{+0.00} | 100.00 ^{-0.036} / _{-0.090} | 120.00 ±0.11 | 21.89 |
| MUFN-105X115X10.5EI | 105 | 115 | 10.5 | 11.50 ^{+0.20} / _{+0.00} | 105.00 ^{-0.036} / _{-0.090} | 115.00 ±0.11 | 21.08 |
| MUFN-105X120X13EI | 105 | 120 | 13 | 14.00 ^{+0.20} / _{+0.00} | 105.00 ^{-0.036} / _{-0.090} | 120.00 ±0.11 | 22.71 |
| MUFN-110X125X11.5EI | 110 | 125 | 11.5 | 12.50 ^{+0.20} / _{+0.00} | 110.00 ^{-0.036} / _{-0.090} | 125.00 ±0.125 | 24.33 |
| MUFN-110X130X12EI | 110 | 130 | 12 | 13.00 ^{+0.20} / _{+0.00} | 110.00 ^{-0.036} / _{-0.090} | 130.00 ±0.125 | 26.47 |
| MUFN-110X135X18.8EI | 110 | 135 | 18.8 | 20.00 ^{+0.20} / _{+0.00} | 110.00 ^{-0.036} / _{-0.090} | 135.00 ±0.125 | 28.31 |
| MUFN-125X150X14EI | 125 | 150 | 14 | 15.00 ^{+0.20} / _{+0.00} | 125.00 ^{-0.043} / _{-0.106} | 150.00 ±0.125 | 30.38 |
| MUFN-130X145X9EI | 130 | 145 | 9 | 10.00 ^{+0.20} / _{+0.00} | 130.00 ^{-0.043} / _{-0.106} | 145.00 ±0.125 | 31.90 |
| MUFN-140X160X11EI | 140 | 160 | 11 | 12.00 ^{+0.20} / _{+0.00} | 140.00 ^{-0.043} / _{-0.106} | 160.00 ±0.125 | 30.65 |
| MUFN-140X160X12EI | 140 | 160 | 12 | 13.00 ^{+0.20} / _{+0.00} | 140.00 ^{-0.043} / _{-0.106} | 160.00 ±0.125 | 37.99 |
| MUFN-150X170X13.5EI | 150 | 170 | 13.5 | 14.50 ^{+0.20} / _{+0.00} | 150.00 ^{-0.043} / _{-0.106} | 170.00 ±0.125 | 22.82 |
| MUFN-160X175X15EI | 160 | 175 | 15 | 16.00 ^{+0.20} / _{+0.00} | 160.00 ^{-0.043} / _{-0.106} | 175.00 ±0.125 | 23.97 |
| MUFN-160X180X14.5EI | 160 | 180 | 14.5 | 15.50 ^{+0.20} / _{+0.00} | 160.00 ^{-0.043} / _{-0.106} | 180.00 ±0.125 | 24.54 |
| MUFN-170X182.7X9EI | 170 | 182.7 | 9 | 10.00 ^{+0.20} / _{+0.00} | 170.00 ^{-0.043} / _{-0.106} | 182.70 ±0.145 | 24.19 |
| MUFN-170X185X15EI | 170 | 185 | 15 | 16.00 ^{+0.20} / _{+0.00} | 170.00 ^{-0.043} / _{-0.106} | 185.00 ±0.145 | 40.03 |

ROD U-SEALS BACK-UP RINGS



STYLE MUFN-BR ROD U-SEALS W/HEADERS

This is a single-acting rod seal designed for low and high pressure sealing and is commonly found in telescopic cylinders. The seal consists of a molded rubber sealing lip, rubberized fabric heel, and a polyester header for improved extrusion resistance.



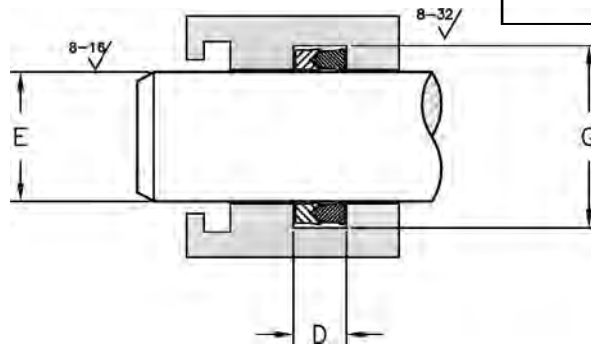
HERCULES PART NUMBERS

MUFN- 78 x 88 x 12

Type of Seal Inside Diameter Outside Diameter Height

SEAL INFORMATION

| | |
|-------------------|-------------------------------------|
| MATERIAL | RUBBER, FABRIC, POLYESTER ELASTOMER |
| TEMPERATURE RANGE | -22° TO +212° F |
| PRESSURE RANGE | 0 TO 5800 PSI |
| SPEED | 1.5 FT/SEC |

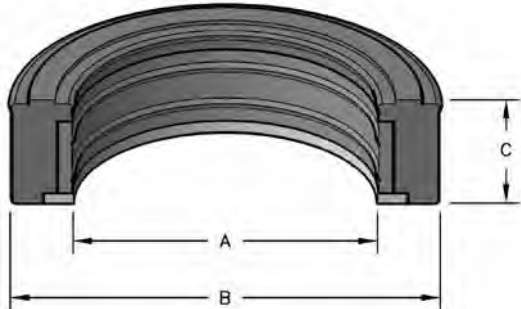


ROD SEALS

| Part Number | A Nom. ID | B Nom. OD | C Nom. Ht | D GROOVE WIDTH | E ROD DIAMETER | G HOUSING DIAMETER | List Price |
|-------------------------|--------------|--------------|--------------|-------------------------|----------------------------|----------------------------|---------------|
| MUFN-78X88X12BR-M-F | 79 | 88 | 12 | 13.00 +0.30 +0.00 | 78.00 -0.030 -0.076 | 88.00 +0.14 +0.00 | \$24.79 |
| MUFN-98X108X12BR-M-F | 98 | 108 | 12 | 13.00 +0.30 +0.00 | 98.00 -0.036 -0.090 | 108.00 +0.14 +0.00 | 27.77 |
| MUFN-117X127X14BR-M-F | 117 | 127 | 14 | 15.50 +0.30 +0.00 | 117.00 -0.036 -0.090 | 127.00 +0.16 +0.00 | 32.79 |
| MUFN-136X146X14BR-M-F | 136 | 146 | 14 | 15.50 +0.30 +0.00 | 136.00 -0.043 -0.106 | 146.00 +0.16 +0.00 | 37.40 |
| MUFN-155X165X14BR-M-F | 155 | 165 | 14 | 15.50 +0.30 +0.00 | 155.00 -0.043 -0.106 | 165.00 +0.16 +0.00 | 54.68 |
| MUFN-176X188X16BR-M-F | 176 | 188 | 16 | 17.00 +0.30 +0.00 | 176.00 -0.043 -0.106 | 188.00 +0.185 +0.000 | 67.39 |
| MUFN-198X210X17.5BR-M-F | 198 | 210 | 17.5 | 19.00 +0.30 +0.00 | 198.00 -0.050 -0.122 | 210.00 +0.185 +0.000 | 67.39 |

STYLE MPDS ROD U-SEALS

The MPDS is a rubber seal with a fabric-reinforced dynamic surface providing low breakaway and low dynamic friction. An acetal back-up ring is incorporated into the heel to prevent extrusion.



HERCULES PART NUMBERS

MPDS- 40 x 52 x 21

Type of Seal: MPDS
 Inside Diameter: 40
 Outside Diameter: 52
 Height: 21

| SEAL INFORMATION | |
|-------------------|---|
| MATERIAL | NBR/NEO-FAB SEAL ACETAL ANTI-EXTRUSION RING |
| TEMPERATURE RANGE | -22° TO +230° F |
| PRESSURE RANGE | 0 TO 3600 PSI |
| SPEED | 1.5 ft/sec |

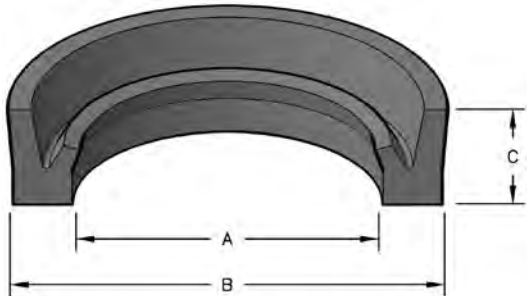
| Part Number | A Nom. ID | B Nom. OD | C Nom. Ht | List Price |
|-------------------|--------------|--------------|--------------|------------|
| MPDS-40X52X21 | 40 | 52 | 21 | \$26.81 |
| MPDS-50X65X21 | 50 | 65 | 21 | 64.42 |
| MPDS-65X80X21 | 65 | 80 | 21 | 34.72 |
| MPDS-80X95X21 | 80 | 95 | 21 | 38.20 |
| MPDS-90X105X21 | 90 | 105 | 21 | 50.61 |
| MPDS-100X115X28.5 | 100 | 115 | 28.5 | 54.52 |

ROD SEALS



STYLE MUKRN ROD SEALS

MUKRN is an asymmetrical single-acting pneumatic rod seal. Molded in nitrile, this seal is resistant to water and most oils while maintaining good low-pressure sealing.

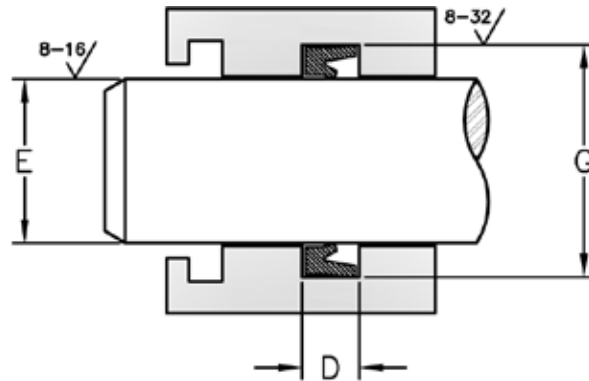


HERCULES PART NUMBERS

MUKRN - 6 X 12 X 4
 Type of Seal Rod Diameter Groove Diameter Height

SEAL INFORMATION

| | |
|-------------------|-----------------|
| MATERIAL | 80 A NBR |
| TEMPERATURE RANGE | -22° TO +212° F |
| PRESSURE RANGE | 0 TO 1,500 PSI |
| SPEED | 1.5 FT/SEC |



ROD SEALS

| Part Number | A Nom. ID | B Nom. OD | C Nom. Ht | D GROOVE WIDTH | E ROD DIAMETER | G HOUSING DIAMETER | List Price |
|-------------------|--------------|--------------|--------------|------------------------|---------------------------|---------------------------|---------------|
| MUKRN-6X12X4 | 6 | 12 | 4 | 4.50 +0.20 +0.00 | 6.00 -0.010 -0.028 | 12.00 +0.043 +0.000 | \$3.35 |
| MUKRN-8X14X4 | 8 | 14 | 4 | 4.50 +0.20 +0.00 | 8.00 -0.013 -0.035 | 14.00 +0.043 +0.000 | 5.07 |
| MUKRN-8X16X5.5 | 8 | 16 | 5.5 | 6.00 +0.20 +0.00 | 8.00 -0.013 -0.035 | 16.00 +0.043 +0.000 | 3.35 |
| MUKRN-8X18X8 | 8 | 18 | 8 | 8.50 +0.20 +0.00 | 8.00 -0.013 -0.035 | 18.00 +0.043 +0.000 | 3.85 |
| MUKRN-10X13.6X2.3 | 10 | 13.6 | 2.3 | 2.80 +0.20 +0.00 | 10.00 -0.013 -0.035 | 13.60 +0.043 +0.000 | 10.69 |
| MUKRN-10X16X4.5 | 10 | 16 | 4.5 | 5.00 +0.20 +0.00 | 10.00 -0.013 -0.035 | 16.00 +0.043 +0.000 | 3.73 |
| MUKRN-10X18X5.5 | 10 | 18 | 5.5 | 6.00 +0.20 +0.00 | 10.00 -0.013 -0.035 | 18.00 +0.043 +0.000 | 5.01 |
| MUKRN-12X20X5.5 | 12 | 20 | 5.5 | 6.00 +0.20 +0.00 | 12.00 -0.016 -0.043 | 20.00 +0.052 +0.000 | 3.73 |
| MUKRN-12X22X5 | 12 | 22 | 5 | 5.50 +0.20 +0.00 | 12.00 -0.016 -0.043 | 22.00 +0.052 +0.000 | 3.73 |
| MUKRN-12X22X7.5 | 12 | 22 | 7.5 | 8.00 +0.20 +0.00 | 12.00 -0.016 -0.043 | 22.00 +0.052 +0.000 | 3.73 |
| MUKRN-14X24X5 | 14 | 24 | 5 | 5.50 +0.20 +0.00 | 14.00 -0.016 -0.043 | 24.00 +0.052 +0.000 | 4.74 |
| MUKRN-16X22X5 | 16 | 22 | 5 | 5.50 +0.20 +0.00 | 16.00 -0.016 -0.043 | 22.00 +0.052 +0.000 | 4.74 |
| MUKRN-16X24X5.5 | 16 | 24 | 5.5 | 6.00 +0.20 +0.00 | 16.00 -0.016 -0.043 | 24.00 +0.052 +0.000 | 9.34 |
| MUKRN-18X25X4.5 | 18 | 25 | 4.5 | 5.00 +0.20 +0.00 | 18.00 -0.016 -0.043 | 25.00 +0.052 +0.000 | 4.74 |
| MUKRN-18X25X5.5 | 18 | 25 | 5.5 | 6.00 +0.20 +0.00 | 18.00 -0.016 -0.043 | 25.00 +0.052 +0.000 | 4.74 |

NORTH AMERICA
 PHONE 1-800-777-5617
 FAX 1-800-759-6391

SALES OFFICE HOURS
 8 A.M. TO 7:30 P.M. EASTERN TIME
 www.HerculesUS.com

WORLDWIDE
 PHONE 1-727-796-1300
 FAX 1-727-797-8849



STYLE MUKRN ROD SEALS

| Part Number | A Nom. ID | B Nom. OD | C Nom. Ht | D GROOVE WIDTH | E ROD DIAMETER | G HOUSING DIAMETER | List Price |
|-----------------|--------------|--------------|--------------|----------------------|------------------------|--------------------------|---------------|
| MUKRN-18X26X5.5 | 18 | 26 | 5.5 | 6.00 +0.20 -0.00 | 18.00 -0.016 -0.043 | 26.00 +0.052 +0.000 | 4.74 |
| MUKRN-18X30X8.5 | 18 | 30 | 8.5 | 9.50 +0.20 +0.00 | 18.00 -0.016 -0.043 | 30.00 +0.052 +0.000 | 4.74 |
| MUKRN-20X26X5 | 20 | 26 | 5 | 5.50 +0.20 +0.00 | 20.00 -0.020 -0.053 | 26.00 +0.052 +0.000 | 8.55 |
| MUKRN-20X28X5.5 | 20 | 28 | 5.5 | 6.00 +0.20 +0.00 | 20.00 -0.020 -0.053 | 28.00 +0.052 +0.000 | 4.74 |
| MUKRN-20X30X6 | 20 | 30 | 6 | 6.50 +0.20 +0.00 | 20.00 -0.020 -0.053 | 30.00 +0.052 +0.000 | 4.87 |
| MUKRN-22X30X5.5 | 22 | 30 | 5.5 | 6.00 +0.20 +0.00 | 22.00 -0.020 -0.053 | 30.00 +0.052 +0.000 | 4.87 |
| MUKRN-23X31X5.5 | 23 | 31 | 5.5 | 6.00 +0.20 +0.00 | 23.00 -0.020 -0.053 | 31.00 +0.062 +0.000 | 4.87 |
| MUKRN-25X33X8 | 25 | 33 | 8 | 8.50 +0.20 +0.00 | 25.00 -0.020 -0.053 | 33.00 +0.062 +0.000 | 4.87 |
| MUKRN-25X35X6 | 25 | 35 | 6 | 6.50 +0.20 +0.00 | 25.00 -0.020 -0.053 | 35.00 +0.062 +0.000 | 4.87 |
| MUKRN-25X35X7 | 25 | 35 | 7 | 7.50 +0.20 +0.00 | 25.00 -0.020 -0.053 | 35.00 +0.062 +0.000 | 4.87 |
| MUKRN-25X35X7.5 | 25 | 35 | 7.5 | 8.00 +0.20 +0.00 | 25.00 -0.020 -0.053 | 35.00 +0.062 +0.000 | 5.25 |
| MUKRN-25X37X6 | 25 | 37 | 6 | 6.50 +0.20 +0.00 | 25.00 -0.020 -0.053 | 37.00 +0.062 +0.000 | 5.51 |
| MUKRN-28X36X5.5 | 28 | 36 | 5.5 | 6.00 +0.20 +0.00 | 28.00 -0.020 -0.053 | 36.00 +0.062 +0.000 | 5.51 |
| MUKRN-30X40X7 | 30 | 40 | 7 | 7.50 +0.20 +0.00 | 30.00 -0.020 -0.053 | 40.00 +0.062 +0.000 | 5.51 |
| MUKRN-30X42X8.5 | 30 | 42 | 8.5 | 9.50 +0.20 +0.00 | 30.00 -0.020 -0.053 | 42.00 +0.062 +0.000 | 5.76 |
| MUKRN-32X42X7 | 32 | 42 | 7 | 7.50 +0.20 +0.00 | 32.00 -0.025 -0.064 | 42.00 +0.062 +0.000 | 6.20 |
| MUKRN-35X43X8 | 35 | 43 | 8 | 8.50 +0.20 +0.00 | 35.00 -0.025 -0.064 | 43.00 +0.062 +0.000 | 6.20 |
| MUKRN-35X45X7 | 35 | 45 | 7 | 7.50 +0.20 +0.00 | 35.00 -0.025 -0.064 | 45.00 +0.062 +0.000 | 6.20 |
| MUKRN-36X46X7 | 36 | 46 | 7 | 7.50 +0.20 +0.00 | 36.00 -0.025 -0.064 | 46.00 +0.062 +0.000 | 6.20 |
| MUKRN-38X48X7 | 38 | 48 | 7 | 7.50 +0.20 +0.00 | 38.00 -0.025 -0.064 | 48.00 +0.062 +0.000 | 17.20 |
| MUKRN-40X48X5.5 | 40 | 48 | 5.5 | 6.00 +0.20 +0.00 | 40.00 -0.025 -0.064 | 48.00 +0.062 +0.000 | 6.51 |
| MUKRN-40X48X8 | 40 | 48 | 8 | 8.50 +0.20 +0.00 | 40.00 -0.025 -0.064 | 48.00 +0.062 +0.000 | 6.51 |
| MUKRN-42X52X7 | 42 | 52 | 7 | 7.50 +0.20 +0.00 | 42.00 -0.025 -0.064 | 52.00 +0.074 +0.000 | 7.13 |
| MUKRN-44X54X7 | 44 | 54 | 7 | 7.50 +0.20 +0.00 | 44.00 -0.025 -0.064 | 54.00 +0.074 +0.000 | 7.13 |
| MUKRN-45X53X8 | 45 | 53 | 8 | 8.50 +0.20 +0.00 | 45.00 -0.025 -0.064 | 53.00 +0.074 +0.000 | 7.89 |
| MUKRN-45X55X7 | 45 | 55 | 7 | 7.50 +0.20 +0.00 | 45.00 -0.025 -0.064 | 55.00 +0.074 +0.000 | 7.13 |
| MUKRN-45X65X15 | 45 | 65 | 15 | 16.00 +0.20 +0.00 | 45.00 -0.025 -0.064 | 65.00 +0.074 +0.000 | 35.55 |
| MUKRN-50X60X7 | 50 | 60 | 7 | 7.50 +0.20 +0.00 | 50.00 -0.025 -0.064 | 60.00 +0.074 +0.000 | 7.13 |
| MUKRN-50X60X12 | 50 | 60 | 12 | 13.00 +0.20 +0.00 | 50.00 -0.025 -0.064 | 60.00 +0.074 +0.000 | 7.74 |
| MUKRN-50X66X12 | 50 | 66 | 12 | 13.00 +0.20 +0.00 | 50.00 -0.025 -0.064 | 66.00 +0.074 +0.000 | 8.50 |
| MUKRN-56X66X7 | 56 | 66 | 7 | 7.50 +0.20 +0.00 | 56.00 -0.030 -0.076 | 66.00 +0.074 +0.000 | 7.94 |
| MUKRN-60X72X8.5 | 60 | 72 | 8.5 | 9.50 +0.20 +0.00 | 60.00 -0.030 -0.076 | 72.00 +0.074 +0.000 | 7.94 |
| MUKRN-63X75X8.5 | 63 | 75 | 8.5 | 9.50 +0.20 +0.00 | 63.00 -0.030 -0.076 | 75.00 +0.074 +0.000 | 8.23 |

ROD SEALS

FORMERLY LISTED SEALS ARE AVAILABLE ONLINE AT WWW.HERCULESUS.COM
OR BY CONTACTING YOUR REGIONAL HERCULES SALES TEAM.



STYLE MUKRN ROD SEALS

| Part Number | A Nom. ID | B Nom. OD | C Nom. Ht | D GROOVE WIDTH | E ROD DIAMETER | G HOUSING DIAMETER | List Price |
|------------------|--------------|--------------|--------------|---|--|--|---------------|
| MUKRN-65X77X8.5 | 65 | 77 | 8.5 | 9.50 ^{+0.20} / _{+0.00} | 65.00 ^{-0.030} / _{-0.076} | 77.00 ^{+0.074} / _{+0.000} | 10.57 |
| MUKRN-70X82X8.5 | 70 | 82 | 8.5 | 9.50 ^{+0.20} / _{+0.00} | 70.00 ^{-0.030} / _{-0.076} | 82.00 ^{+0.087} / _{+0.000} | 10.95 |
| MUKRN-70X90X15 | 70 | 90 | 15 | 16.00 ^{+0.20} / _{+0.00} | 70.00 ^{-0.030} / _{-0.076} | 90.00 ^{+0.087} / _{+0.000} | 10.95 |
| MUKRN-75X87X8.5 | 75 | 87 | 8.5 | 9.50 ^{+0.20} / _{+0.00} | 75.00 ^{-0.030} / _{-0.076} | 87.00 ^{+0.087} / _{+0.000} | 11.24 |
| MUKRN-80X92X8.5 | 80 | 92 | 8.5 | 9.50 ^{+0.20} / _{+0.00} | 80.00 ^{-0.030} / _{-0.076} | 92.00 ^{+0.087} / _{+0.000} | 36.13 |
| MUKRN-88X100X8.5 | 88 | 100 | 8.5 | 9.50 ^{+0.20} / _{+0.00} | 88.00 ^{-0.036} / _{-0.090} | 100.00 ^{+0.087} / _{+0.000} | 17.16 |
| MUKRN-90X100X9 | 90 | 100 | 9 | 10.00 ^{+0.20} / _{+0.00} | 90.00 ^{-0.036} / _{-0.090} | 100.00 ^{+0.087} / _{+0.000} | 21.33 |
| MUKRN-110X125X10 | 110 | 125 | 10 | 11.00 ^{+0.20} / _{+0.00} | 110.00 ^{-0.036} / _{-0.090} | 125.00 ^{+0.10} / _{+0.00} | 22.43 |
| MUKRN-120X135X10 | 120 | 135 | 10 | 11.00 ^{+0.20} / _{+0.00} | 120.00 ^{-0.036} / _{-0.090} | 135.00 ^{+0.10} / _{+0.00} | 24.91 |
| MUKRN-120X140X15 | 120 | 140 | 15 | 16.00 ^{+0.20} / _{+0.00} | 120.00 ^{-0.036} / _{-0.090} | 140.00 ^{+0.10} / _{+0.00} | 23.47 |
| MUKRN-130X145X10 | 130 | 145 | 10 | 11.00 ^{+0.20} / _{+0.00} | 130.00 ^{-0.043} / _{-0.106} | 145.00 ^{+0.10} / _{+0.00} | 23.47 |
| MUKRN-140X160X14 | 140 | 160 | 14 | 15.00 ^{+0.20} / _{+0.00} | 140.00 ^{-0.043} / _{-0.106} | 160.00 ^{+0.10} / _{+0.00} | 25.56 |
| MUKRN-150X170X14 | 150 | 170 | 14 | 15.00 ^{+0.20} / _{+0.00} | 150.00 ^{-0.043} / _{-0.106} | 170.00 ^{+0.10} / _{+0.00} | 25.77 |

ROD SEALS

Seal color may vary. Special order sizes are available. Sizes not shown and out of stock items can also be ordered for next day delivery through Seals On Demand, our custom seal program. Please call your regional sales team for assistance.

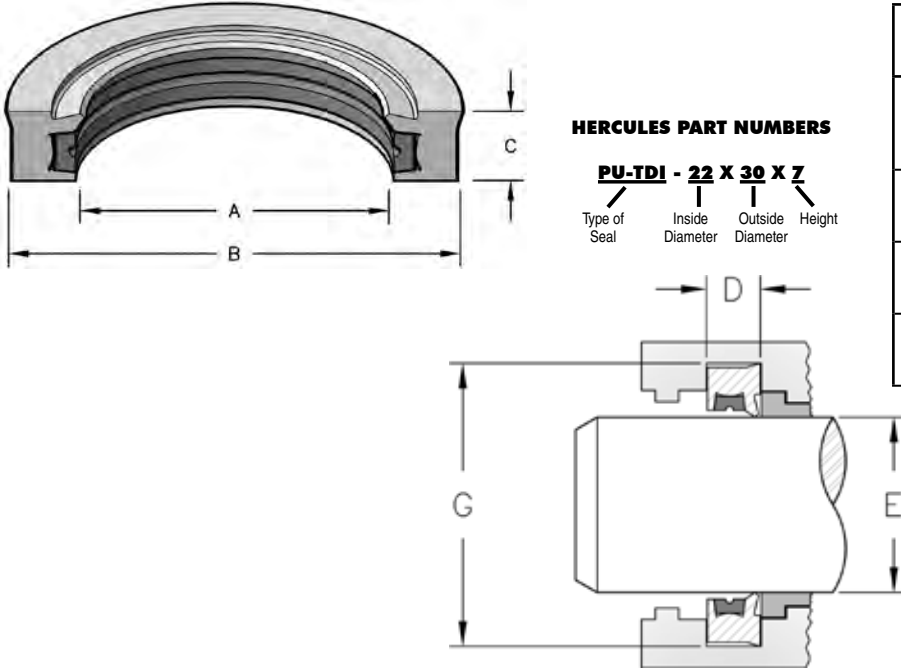
NORTH AMERICA
PHONE 1-800-777-5617
FAX 1-800-759-6391

SALES OFFICE HOURS
8 A.M. TO 7:30 P.M. EASTERN TIME
www.HerculesUS.com

WORLDWIDE
PHONE 1-727-796-1300
FAX 1-727-797-8849

STYLE PU-TDI ROD SEALS

The PU-TDI tandem seal has a urethane sealing lip with a PTFE insert secondary sealing lip. Under increasing pressure, the outer seal acts to compress the PTFE slide ring onto the rod. This action creates a high force sealing edge of low-frictional resistance. These are genuine Hunger® parts.



| SEAL INFORMATION | |
|-------------------|-------------------------------------|
| MATERIAL | URETHANE BRONZE - FILLED PTFE |
| TEMPERATURE RANGE | -31° TO +212° F |
| PRESSURE RANGE | 0 TO 6,500 PSI |
| SPEED | 3 FT/SEC |

ROD SEALS

| Part Number | A Nom. ID | B Nom. OD | C Nom. Ht | D GROOVE WIDTH | E ROD DIAMETER | G HOUSING DIAMETER | List Price |
|-----------------|--------------|--------------|--------------|----------------------------------|-----------------------------------|------------------------------------|------------|
| PU-TDI22X30X7 | 22 | 30 | 7 | 7.50 ^{+0.098} -0.040 | 22.00 ^{-0.040} -0.073 | 30.00 ^{+0.052} +0.000 | \$33.17 |
| PU-TDI25X33X7 | 25 | 33 | 7 | 7.50 ^{+0.098} -0.040 | 25.00 ^{-0.040} -0.073 | 33.00 ^{+0.062} +0.000 | 47.29 |
| PU-TDI35X43X7 | 35 | 43 | 7 | 7.50 ^{+0.098} -0.040 | 35.00 ^{-0.050} -0.089 | 43.00 ^{+0.062} +0.000 | 45.33 |
| PU-TDI36X44X8 | 36 | 44 | 8 | 8.50 ^{+0.098} -0.040 | 36.00 ^{-0.050} -0.089 | 44.00 ^{+0.062} +0.000 | 47.29 |
| PU-TDI40X48X8 | 40 | 48 | 8 | 8.50 ^{+0.098} -0.040 | 40.00 ^{-0.050} -0.089 | 48.00 ^{+0.062} +0.000 | 51.22 |
| PU-TDI45X55X10 | 45 | 55 | 10 | 11.00 ^{+0.12} -0.05 | 45.00 ^{-0.050} -0.089 | 55.00 ^{+0.074} +0.000 | 52.02 |
| PU-TDI50X60X10 | 50 | 60 | 10 | 11.00 ^{+0.12} -0.05 | 50.00 ^{-0.050} -0.089 | 60.00 ^{+0.074} +0.000 | 54.79 |
| PU-TDI55X65X10 | 55 | 65 | 10 | 11.00 ^{+0.12} -0.05 | 55.00 ^{-0.060} -0.106 | 65.00 ^{+0.074} +0.000 | 55.18 |
| PU-TDI56X71X12 | 56 | 71 | 12 | 13.00 ^{+0.12} -0.05 | 56.00 ^{-0.060} -0.106 | 71.00 ^{+0.074} +0.000 | 60.31 |
| PU-TDI60X75X12 | 60 | 75 | 12 | 13.00 ^{+0.12} -0.05 | 60.00 ^{-0.060} -0.106 | 75.00 ^{+0.074} +0.000 | 63.07 |
| PU-TDI63X78X12 | 63 | 78 | 12 | 13.00 ^{+0.12} -0.05 | 63.00 ^{-0.060} -0.106 | 78.00 ^{+0.074} +0.000 | 65.83 |
| PU-TDI70X85X12 | 70 | 85 | 12 | 13.00 ^{+0.12} -0.05 | 70.00 ^{-0.060} -0.106 | 85.00 ^{+0.087} +0.000 | 78.05 |
| PU-TDI80X95X12 | 80 | 95 | 12 | 13.00 ^{+0.12} -0.05 | 80.00 ^{-0.060} -0.106 | 95.00 ^{+0.087} +0.000 | 91.04 |
| PU-TDI85X100X12 | 85 | 100 | 12 | 13.00 ^{+0.12} -0.05 | 85.00 ^{-0.072} -0.126 | 100.00 ^{+0.087} +0.000 | 94.98 |
| PU-TDI90X105X12 | 90 | 105 | 12 | 13.00 ^{+0.12} -0.05 | 90.00 ^{-0.072} -0.126 | 105.00 ^{+0.087} +0.000 | 104.45 |
| PU-TDI95X110X12 | 95 | 110 | 12 | 13.00 ^{+0.12} -0.05 | 95.00 ^{-0.072} -0.126 | 110.00 ^{+0.087} +0.000 | 112.72 |

FORMERLY LISTED SEALS ARE AVAILABLE ONLINE AT WWW.HERCULESUS.COM
 OR BY CONTACTING YOUR REGIONAL HERCULES SALES TEAM.



STYLE PU-TDI ROD SEALS

| Part Number | A Nom. ID | B Nom. OD | C Nom. Ht | D GROOVE WIDTH | E ROD DIAMETER | G HOUSING DIAMETER | List Price |
|------------------|--------------|--------------|--------------|---|--|--|---------------|
| PU-TDI100X115X12 | 100 | 115 | 12 | 13.00 ^{+0.12} _{-0.05} | 100.00 ^{-0.072} _{-0.126} | 115.00 ^{+0.087} _{+0.000} | 115.48 |
| PU-TDI105X120X12 | 105 | 120 | 12 | 13.00 ^{+0.12} _{-0.05} | 105.00 ^{-0.072} _{-0.126} | 120.00 ^{+0.087} _{+0.000} | 137.94 |
| PU-TDI110X125X12 | 110 | 125 | 12 | 13.00 ^{+0.12} _{-0.05} | 110.00 ^{-0.072} _{-0.126} | 125.00 ^{+0.10} _{+0.00} | 137.94 |
| PU-TDI115X130X12 | 115 | 130 | 12 | 13.00 ^{+0.12} _{-0.05} | 115.00 ^{-0.072} _{-0.126} | 130.00 ^{+0.10} _{+0.00} | 132.42 |
| PU-TDI120X140X16 | 120 | 140 | 16 | 17.00 ^{+0.12} _{-0.05} | 120.00 ^{-0.072} _{-0.126} | 140.00 ^{+0.10} _{+0.00} | 135.19 |
| PU-TDI125X145X16 | 125 | 145 | 16 | 17.00 ^{+0.12} _{-0.05} | 125.00 ^{-0.085} _{-0.148} | 145.00 ^{+0.10} _{+0.00} | 135.19 |
| PU-TDI130X150X16 | 130 | 150 | 16 | 17.00 ^{+0.12} _{-0.05} | 130.00 ^{-0.085} _{-0.148} | 150.00 ^{+0.10} _{+0.00} | 152.93 |
| PU-TDI135X155X16 | 135 | 155 | 16 | 17.00 ^{+0.12} _{-0.05} | 135.00 ^{-0.085} _{-0.148} | 155.00 ^{+0.10} _{+0.00} | 165.61 |
| PU-TDI140X155X17 | 140 | 155 | 17 | 18.00 ^{+0.12} _{-0.05} | 140.00 ^{-0.085} _{-0.148} | 155.00 ^{+0.10} _{+0.00} | 204.95 |
| PU-TDI140X160X16 | 140 | 160 | 16 | 17.00 ^{+0.12} _{-0.05} | 140.00 ^{-0.085} _{-0.148} | 160.00 ^{+0.10} _{+0.00} | 184.45 |
| PU-TDI150X170X16 | 150 | 170 | 16 | 17.00 ^{+0.12} _{-0.05} | 150.00 ^{-0.085} _{-0.148} | 170.00 ^{+0.10} _{+0.00} | 224.66 |
| PU-TDI160X180X16 | 160 | 180 | 16 | 17.00 ^{+0.12} _{-0.05} | 160.00 ^{-0.085} _{-0.148} | 180.00 ^{+0.10} _{+0.00} | 249.49 |
| PU-TDI175X195X16 | 175 | 195 | 16 | 17.00 ^{+0.12} _{-0.05} | 175.00 ^{-0.085} _{-0.148} | 195.00 ^{+0.115} _{+0.000} | 328.31 |
| PU-TDI180X200X16 | 180 | 200 | 16 | 17.00 ^{+0.12} _{-0.05} | 180.00 ^{-0.085} _{-0.148} | 200.00 ^{+0.115} _{+0.000} | 323.58 |
| PU-TDI200X220X16 | 200 | 220 | 16 | 17.00 ^{+0.12} _{-0.05} | 200.00 ^{-0.100} _{-0.172} | 220.00 ^{+0.115} _{+0.000} | 355.89 |
| PU-TDI240X260X16 | 240 | 260 | 16 | 17.00 ^{+0.12} _{-0.05} | 240.00 ^{-0.100} _{-0.172} | 260.00 ^{+0.13} _{+0.00} | 534.44 |
| PU-TDI320X350X20 | 320 | 350 | 20 | 21.00 ^{+0.149} _{-0.065} | 320.00 ^{-0.125} _{-0.214} | 350.00 ^{+0.14} _{+0.00} | 1167.84 |

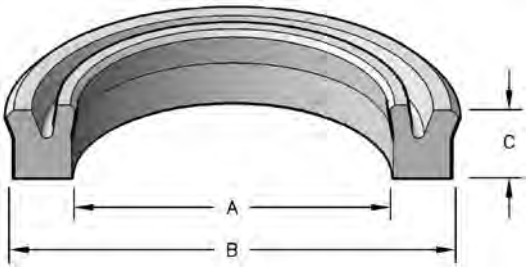
ROD SEALS

STYLE PU-TDT ROD SEALS

View the Complete PU-TDT Product Line
 Online at www.HerculesUS.com
 or Contact a Hercules
 Sales Representative for Assistance.

STYLE MPU PISTON SEALS

Molded from high quality urethane, the MPU is designed specifically for piston applications.

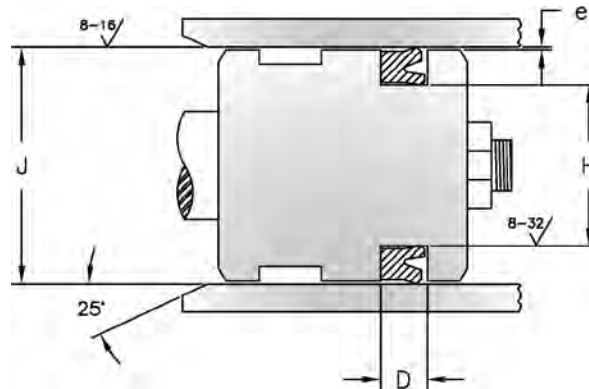


HERCULES PART NUMBERS

MPU - 15 X 25 X 8.2
 Type of Seal Inside Diameter Outside Diameter Height

| SEAL INFORMATION | |
|-------------------|-----------------|
| MATERIAL | URETHANE |
| TEMPERATURE RANGE | -22° TO +212° F |
| PRESSURE RANGE | 0 TO 5,000 PSI |
| SPEED | 3 FT/SEC |

A = Alternative to NOK



| Part Number | A Nom. ID | B Nom. OD | C Nom. Ht | D GROOVE WIDTH | H GROOVE DIAMETER | J BORE DIAMETER | List Price |
|----------------|--------------|--------------|--------------|-------------------------|---------------------------|---------------------------|---------------|
| MPU-15X25X8.2 | 15 | 25 | 8.2 | 9.00 +0.30 +0.00 | 15.00 +0.00 -0.07 | 25.00 +0.052 +0.000 | \$8.47 |
| MPU-17X25X5.7 | 17 | 25 | 5.7 | 6.30 +0.30 +0.00 | 17.00 +0.00 -0.07 | 25.00 +0.052 +0.000 | 8.93 |
| MPU-24X32X5.7 | 24 | 32 | 5.7 | 6.30 +0.30 +0.00 | 24.00 +0.000 -0.084 | 32.00 +0.062 +0.000 | 8.93 |
| MPU-25X35X7.3 | 25 | 35 | 7.3 | 8.00 +0.30 +0.00 | 25.00 +0.000 -0.084 | 35.00 +0.062 +0.000 | 9.72 |
| MPU-21X37X11.8 | 21 | 37 | 11.8 | 13.00 +0.30 +0.00 | 21.00 +0.000 -0.084 | 37.00 +0.062 +0.000 | 10.42 |
| MPU-30X40X7.3 | 30 | 40 | 7.3 | 8.00 +0.30 +0.00 | 30.00 +0.000 -0.084 | 40.00 +0.062 +0.000 | 9.72 |
| MPU-35X45X6 | 35 | 45 | 6 | 7.00 +0.30 +0.00 | 35.00 +0.00 -0.10 | 45.00 +0.062 +0.000 | 12.97 |
| MPU-35X45X7 | 35 | 45 | 7 | 8.00 +0.30 +0.00 | 35.00 +0.00 -0.10 | 45.00 +0.062 +0.000 | 7.70 |
| MPU-32X50X10 | 32 | 50 | 10 | 11.00 +0.30 +0.00 | 32.00 +0.00 -0.10 | 50.00 +0.062 +0.000 | 8.80 |
| MPU-40X50X6 | 40 | 50 | 6 | 7.00 +0.30 +0.00 | 40.00 +0.00 -0.10 | 50.00 +0.062 +0.000 | 14.94 |
| MPU-40X50X7.3 | 40 | 50 | 7.3 | 8.00 +0.30 +0.00 | 40.00 +0.00 -0.10 | 50.00 +0.062 +0.000 | 13.53 |
| MPU-45X55X6 | 45 | 55 | 6 | 7.00 +0.30 +0.00 | 45.00 +0.00 -0.10 | 55.00 +0.074 +0.000 | 14.36 |
| MPU-45X55X7.3 | 45 | 55 | 7.3 | 8.00 +0.30 +0.00 | 45.00 +0.00 -0.10 | 55.00 +0.074 +0.000 | 13.53 |
| MPU-45X60X10 | 45 | 60 | 10 | 11.00 +0.30 +0.00 | 45.00 +0.00 -0.10 | 60.00 +0.074 +0.000 | 12.03 |
| MPU-50X60X6 | 50 | 60 | 6 | 7.00 +0.30 +0.00 | 50.00 +0.00 -0.10 | 60.00 +0.074 +0.000 | 14.40 |

PISTON U-SEALS



STYLE MPU PISTON SEALS

| Part Number | A Nom. ID | B Nom. OD | C Nom. Ht | D GROOVE WIDTH | H GROOVE DIAMETER | J BORE DIAMETER | List Price |
|-----------------|--------------|--------------|--------------|---|---|--|---------------|
| MPU-50X60X7 | 50 | 60 | 7 | 8.00 ^{+0.30} / _{+0.00} | 50.00 ^{+0.00} / _{-0.10} | 60.00 ^{+0.074} / _{+0.000} | 14.40 |
| MPU-48X63X9-A | 48 | 63 | 9 | 10.00 ^{+0.30} / _{+0.00} | 48.00 ^{+0.00} / _{-0.10} | 63.00 ^{+0.074} / _{+0.000} | 4.13 |
| MPU-48X63X11.4 | 48 | 63 | 11.4 | 12.50 ^{+0.30} / _{+0.00} | 48.00 ^{+0.00} / _{-0.10} | 63.00 ^{+0.074} / _{+0.000} | 12.03 |
| MPU-53X63X7 | 53 | 63 | 7 | 8.00 ^{+0.30} / _{+0.00} | 53.00 ^{+0.00} / _{-0.12} | 63.00 ^{+0.074} / _{+0.000} | 10.47 |
| MPU-53X63X7.3 | 53 | 63 | 7.3 | 8.00 ^{+0.30} / _{+0.00} | 53.00 ^{+0.00} / _{-0.12} | 63.00 ^{+0.074} / _{+0.000} | 11.64 |
| MPU-53X63X12 | 53 | 63 | 12 | 13.00 ^{+0.30} / _{+0.00} | 53.00 ^{+0.00} / _{-0.12} | 63.00 ^{+0.074} / _{+0.000} | 9.78 |
| MPU-50X65X10 | 50 | 65 | 10 | 11.00 ^{+0.30} / _{+0.00} | 50.00 ^{+0.00} / _{-0.10} | 65.00 ^{+0.074} / _{+0.000} | 19.82 |
| MPU-55X65X7 | 55 | 65 | 7 | 8.00 ^{+0.30} / _{+0.00} | 55.00 ^{+0.00} / _{-0.12} | 65.00 ^{+0.074} / _{+0.000} | 5.17 |
| MPU-50X70X12 | 50 | 70 | 12 | 13.00 ^{+0.30} / _{+0.00} | 50.00 ^{+0.00} / _{-0.10} | 70.00 ^{+0.074} / _{+0.000} | 21.68 |
| MPU-50X70X15 | 50 | 70 | 15 | 16.00 ^{+0.30} / _{+0.00} | 50.00 ^{+0.00} / _{-0.10} | 70.00 ^{+0.074} / _{+0.000} | 10.47 |
| MPU-55X70X9 | 55 | 70 | 9 | 10.00 ^{+0.30} / _{+0.00} | 55.00 ^{+0.00} / _{-0.12} | 70.00 ^{+0.074} / _{+0.000} | 22.06 |
| MPU-55X70X10 | 55 | 70 | 10 | 11.00 ^{+0.30} / _{+0.00} | 55.00 ^{+0.00} / _{-0.12} | 70.00 ^{+0.074} / _{+0.000} | 15.12 |
| MPU-60X70X6 | 60 | 70 | 6 | 7.00 ^{+0.30} / _{+0.00} | 60.00 ^{+0.00} / _{-0.12} | 70.00 ^{+0.074} / _{+0.000} | 18.79 |
| MPUN-60X70X6 | 60 | 70 | 6 | 7.00 ± 0.20 | 60.00 ^{+0.20} / _{+0.00} | 70.00 ^{+0.074} / _{+0.000} | 20.94 |
| MPU-60X70X12 | 60 | 70 | 12 | 13.00 ^{+0.30} / _{+0.00} | 60.00 ^{+0.00} / _{-0.12} | 70.00 ^{+0.074} / _{+0.000} | 7.24 |
| MPU-61X71X6 | 61 | 71 | 6 | 7.00 ^{+0.30} / _{+0.00} | 61.00 ^{+0.00} / _{-0.12} | 71.00 ^{+0.074} / _{+0.000} | 21.68 |
| MPU-57X73X10 | 57 | 73 | 10 | 11.00 ^{+0.30} / _{+0.00} | 57.00 ^{+0.00} / _{-0.12} | 73.00 ^{+0.074} / _{+0.000} | 20.69 |
| MPU-65X75X6 | 65 | 75 | 6 | 7.00 ^{+0.30} / _{+0.00} | 65.00 ^{+0.00} / _{-0.12} | 75.00 ^{+0.074} / _{+0.000} | 21.68 |
| MPU-67X75X8.8 | 67 | 75 | 8.8 | 9.70 ^{+0.30} / _{+0.00} | 67.00 ^{+0.00} / _{-0.12} | 75.00 ^{+0.074} / _{+0.000} | 12.83 |
| MPU-62X78X10 | 62 | 78 | 10 | 11.00 ^{+0.30} / _{+0.00} | 62.00 ^{+0.00} / _{-0.12} | 78.00 ^{+0.074} / _{+0.000} | 18.87 |
| MPU-60X80X12 | 60 | 80 | 12 | 13.00 ^{+0.30} / _{+0.00} | 60.00 ^{+0.00} / _{-0.12} | 80.00 ^{+0.074} / _{+0.000} | 39.94 |
| MPU-65X80X9 | 65 | 80 | 9 | 10.00 ^{+0.30} / _{+0.00} | 65.00 ^{+0.00} / _{-0.12} | 80.00 ^{+0.074} / _{+0.000} | 39.94 |
| MPU-65X80X11.4 | 65 | 80 | 11.4 | 12.50 ^{+0.30} / _{+0.00} | 65.00 ^{+0.00} / _{-0.12} | 80.00 ^{+0.074} / _{+0.000} | 22.81 |
| MPU-65X80X12 | 65 | 80 | 12 | 13.00 ^{+0.30} / _{+0.00} | 65.00 ^{+0.00} / _{-0.12} | 80.00 ^{+0.074} / _{+0.000} | 10.47 |
| MPU-70X80X6 | 70 | 80 | 6 | 7.00 ^{+0.30} / _{+0.00} | 70.00 ^{+0.00} / _{-0.12} | 80.00 ^{+0.074} / _{+0.000} | 32.39 |
| MPU-70X80X6.8 | 70 | 80 | 6.8 | 7.50 ^{+0.30} / _{+0.00} | 70.00 ^{+0.00} / _{-0.12} | 80.00 ^{+0.074} / _{+0.000} | 14.74 |
| MPU-70X80X7 | 70 | 80 | 7 | 8.00 ^{+0.30} / _{+0.00} | 70.00 ^{+0.00} / _{-0.12} | 80.00 ^{+0.074} / _{+0.000} | 8.80 |
| MPU-70X90X12 | 70 | 90 | 12 | 13.00 ^{+0.30} / _{+0.00} | 70.00 ^{+0.00} / _{-0.12} | 90.00 ^{+0.087} / _{+0.000} | 50.88 |
| MPU-75X90X9 | 75 | 90 | 9 | 10.00 ^{+0.30} / _{+0.00} | 75.00 ^{+0.00} / _{-0.12} | 90.00 ^{+0.087} / _{+0.000} | 26.50 |
| MPU-80X90X6 | 80 | 90 | 6 | 7.00 ^{+0.30} / _{+0.00} | 80.00 ^{+0.00} / _{-0.12} | 90.00 ^{+0.087} / _{+0.000} | 38.17 |
| MPU-80X100X12 | 80 | 100 | 12 | 13.00 ^{+0.30} / _{+0.00} | 80.00 ^{+0.00} / _{-0.12} | 100.00 ^{+0.087} / _{+0.000} | 37.33 |
| MPU-85X100X9 | 85 | 100 | 9 | 10.00 ^{+0.30} / _{+0.00} | 85.00 ^{+0.00} / _{-0.14} | 100.00 ^{+0.087} / _{+0.000} | 33.34 |
| MPU-85X100X11.4 | 85 | 100 | 11.4 | 12.50 ^{+0.30} / _{+0.00} | 85.00 ^{+0.00} / _{-0.14} | 100.00 ^{+0.087} / _{+0.000} | 21.76 |

NORTH AMERICA
PHONE 1-800-777-5617
FAX 1-800-759-6391

SALES OFFICE HOURS
8 A.M. TO 7:30 P.M. EASTERN TIME
www.HerculesUS.com

WORLDWIDE
PHONE 1-727-796-1300
FAX 1-727-797-8849



STYLE MPU PISTON SEALS

| Part Number | A Nom. ID | B Nom. OD | C Nom. Ht | D GROOVE WIDTH | H GROOVE DIAMETER | J BORE DIAMETER | List Price |
|------------------|--------------|--------------|--------------|---|--|--|---------------|
| MPU-90X100X6.8 | 90 | 100 | 6.8 | 7.50 ^{+0.30} / _{+0.00} | 90.00 ^{+0.00} / _{-0.14} | 100.00 ^{+0.087} / _{+0.000} | 19.28 |
| MPU-85X105X15 | 85 | 105 | 15 | 16.00 ^{+0.30} / _{+0.00} | 85.00 ^{+0.00} / _{-0.14} | 105.00 ^{+0.087} / _{+0.000} | 40.33 |
| MPU-90X110X12 | 90 | 110 | 12 | 13.00 ^{+0.30} / _{+0.00} | 90.00 ^{+0.00} / _{-0.14} | 110.00 ^{+0.087} / _{+0.000} | 41.60 |
| MPU-100X110X8 | 100 | 110 | 8 | 9.00 ^{+0.30} / _{+0.00} | 100.00 ^{+0.00} / _{-0.14} | 110.00 ^{+0.087} / _{+0.000} | 41.60 |
| MPU-105X125X14.5 | 105 | 125 | 14.5 | 16.00 ^{+0.30} / _{+0.00} | 105.00 ^{+0.00} / _{-0.14} | 125.00 ^{+0.10} / _{+0.00} | 46.14 |
| MPU-115X125X15 | 115 | 125 | 15 | 16.00 ^{+0.30} / _{+0.00} | 115.00 ^{+0.00} / _{-0.14} | 125.00 ^{+0.10} / _{+0.00} | 15.36 |
| MPU-130X150X14.5 | 130 | 150 | 14.5 | 16.00 ^{+0.30} / _{+0.00} | 130.00 ^{+0.00} / _{-0.16} | 150.00 ^{+0.10} / _{+0.00} | 55.07 |
| MPU-140X150X13.6 | 140 | 150 | 13.6 | 15.00 ^{+0.30} / _{+0.00} | 140.00 ^{+0.00} / _{-0.16} | 150.00 ^{+0.10} / _{+0.00} | 42.56 |
| MPU-140X160X18.2 | 140 | 160 | 18.2 | 20.00 ^{+0.30} / _{+0.00} | 140.00 ^{+0.00} / _{-0.16} | 160.00 ^{+0.10} / _{+0.00} | 58.36 |
| MPU-180X200X14.5 | 180 | 200 | 14.5 | 16.00 ^{+0.30} / _{+0.00} | 180.00 ^{+0.00} / _{-0.16} | 200.00 ^{+0.115} / _{+0.000} | 73.03 |

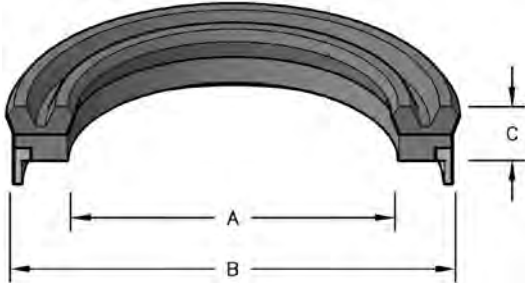
PISTON U-SEALS

Seal color may vary. Special order sizes are available. Sizes not shown and out of stock items can also be ordered for next day delivery through Seals On Demand, our custom seal program. Please call your regional sales team for assistance.

FORMERLY LISTED SEALS ARE AVAILABLE ONLINE AT WWW.HERCULESUS.COM
OR BY CONTACTING YOUR REGIONAL HERCULES SALES TEAM.

STYLE MUFN-UWO PISTON SEALS

Constructed of a rubber seal lip with a rubberized fabric heel, these seals feature a polyacetal bearing ring. These seals offer excellent sealing ability and high pressure capability. They are commonly used with our MSR retention rings.

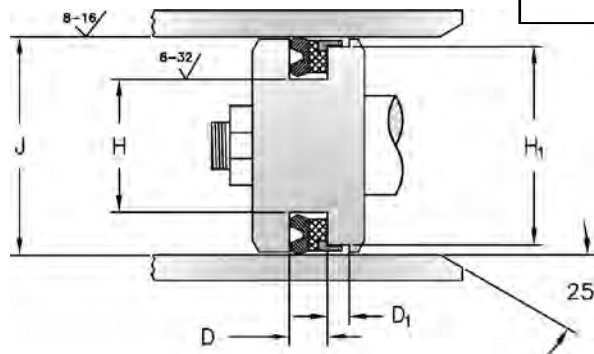


HERCULES PART NUMBERS

MUFN - 26 X 40 X 9
 Type of Seal Inside Diameter Outside Diameter Height

SEAL INFORMATION

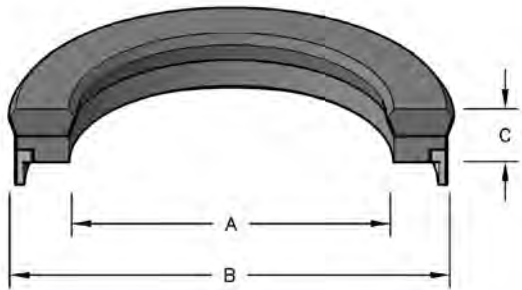
| | |
|-------------------|--|
| MATERIAL | NITRILE / FABRIC BASE ACETAL BEARING |
| TEMPERATURE RANGE | -22° TO +220° F |
| PRESSURE RANGE | 0 TO 6,000 PSI |
| SPEED | 1.5 FT/SEC |



| Part Number | A Nom. ID | B Nom. OD | C Nom. Ht | D SEAL GROOVE WIDTH | D ₁ BEARING GROOVE WIDTH | H GROOVE DIAMETER | H ₁ BEARING GROOVE DIAMETER | J BORE DIAMETER | C HEIGHT | List Price |
|--------------------|-----------------|-----------------|-----------------|---------------------------|--|-------------------------|---|--------------------------|-------------|---------------|
| MUFN-26X40X9UWO | 26 | 40 | 9 | 9.00 +0.60 +0.40 | 6.40 +0.10 +0.00 | 26.00 ±0.065 | 35.40 ±0.08 | 40.00 +0.10 +0.00 | 9.00 | \$13.41 |
| MUFN-40X50X10UWO | 40 | 50 | 10 | 10.00 +0.60 +0.40 | 6.40 +0.10 +0.00 | 40.00 ±0.08 | 46.43 ±0.08 | 50.00 +0.12 +0.00 | 10.00 | 9.92 |
| MUFN-40X55X10.5UWO | 40 | 55 | 10.5 | 10.50 +0.60 +0.40 | 6.40 +0.10 +0.00 | 40.00 ±0.08 | 50.37 ±0.095 | 55.00 +0.12 +0.00 | 10.50 | 10.17 |
| MUFN-50X63X10UWO | 50 | 63 | 10 | 10.00 +0.60 +0.40 | 6.40 +0.10 +0.00 | 50.00 ±0.08 | 58.40 ±0.095 | 63.00 +0.12 +0.00 | 10.00 | 14.38 |
| MUFN-60X80X14UWO | 60 | 80 | 14 | 14.00 +0.60 +0.40 | 6.40 +0.10 +0.00 | 60.00 ±0.095 | 74.15 ±0.095 | 80.00 +0.14 +0.00 | 14.00 | 15.90 |
| MUFN-65X80X12UWO | 65 | 80 | 12 | 12.00 +0.60 +0.40 | 6.40 +0.10 +0.00 | 65.00 ±0.095 | 75.40 ±0.095 | 80.00 +0.14 +0.00 | 12.00 | 12.79 |
| MUFN-70X90X14UWO | 70 | 90 | 14 | 14.00 +0.60 +0.40 | 6.40 +0.10 +0.00 | 70.00 ±0.095 | 84.10 ±0.11 | 90.00 +0.14 +0.00 | 14.00 | 17.49 |
| MUFN-80X100X14UWO | 80 | 100 | 14 | 14.00 +0.60 +0.40 | 6.40 +0.10 +0.00 | 80.00 ±0.095 | 94.15 ±0.11 | 100.00 +0.14 +0.00 | 14.00 | 16.62 |

STYLE MUFN-PWO PISTON SEALS

Constructed of a rubber seal lip with a rubberized fabric heel, these seals feature a polyacetal bearing ring. These seals offer excellent sealing ability and high pressure capability. The solid lip area increases the radial interference for improved low-pressure sealing. They are commonly used with our MSR retainer rings.

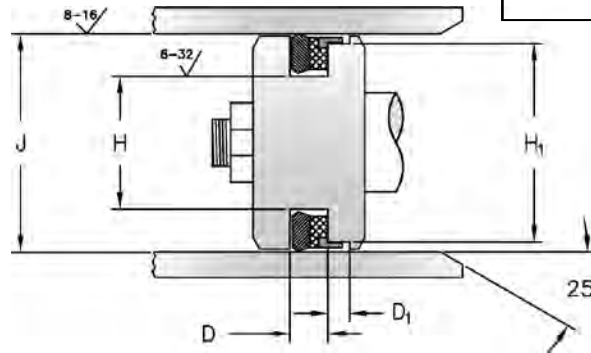


HERCULES PART NUMBERS

MUFN - 30 X 50 X 14

Type of Seal Inside Diameter Outside Diameter Height

| SEAL INFORMATION | |
|-------------------|---|
| MATERIAL | NITRILE / FABRIC BASE ACETAL BEARING |
| TEMPERATURE RANGE | -22° TO +220° F |
| PRESSURE RANGE | 0 TO 6,000 PSI |
| SPEED | 1.5 FT/SEC |



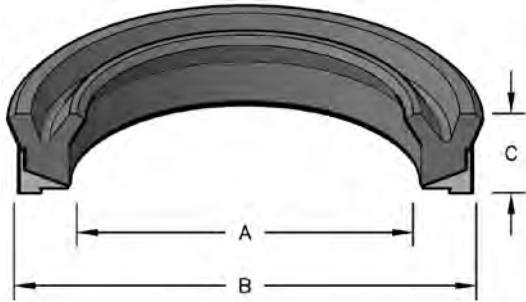
| Part Number | A Nom. ID | B Nom. OD | C Nom. Ht | D SEAL GROOVE WIDTH | D ₁ BEARING GROOVE WIDTH | H GROOVE DIAMETER | H ₁ BEARING GROOVE DIAMETER | J BORE DIAMETER | List Price |
|-----------------------|-----------|-----------|-----------|---|--|-------------------|--|--|------------|
| MUFN-30X50X14PWO | 30 | 50 | 14 | 14.00 ^{+0.60} / _{+0.40} | 6.40 ^{+0.10} / _{+0.00} | 30.00 ±0.065 | 44.30 ±0.08 | 50.00 ^{+0.10} / _{+0.00} | \$12.13 |
| MUFN-40X60X14PWO | 40 | 60 | 14 | 14.00 ^{+0.60} / _{+0.40} | 6.40 ^{+0.10} / _{+0.00} | 40.00 ±0.08 | 54.20 ±0.095 | 60.00 ^{+0.12} / _{+0.00} | 12.99 |
| MUFN-45X60X10.5PWO | 45 | 60 | 10.5 | 10.50 ^{+0.60} / _{+0.40} | 6.40 ^{+0.10} / _{+0.00} | 45.00 ±0.08 | 54.20 ±0.095 | 60.00 ^{+0.12} / _{+0.00} | 8.45 |
| MUFN-50X70X14PWO | 50 | 70 | 14 | 14.00 ^{+0.60} / _{+0.40} | 6.40 ^{+0.10} / _{+0.00} | 50.00 ±0.08 | 64.30 ±0.095 | 70.00 ^{+0.12} / _{+0.00} | 13.13 |
| MUFN-60X80X14PWO | 60 | 80 | 14 | 14.00 ^{+0.60} / _{+0.40} | 6.40 ^{+0.10} / _{+0.00} | 60.00 ±0.095 | 74.20 ±0.095 | 80.00 ^{+0.12} / _{+0.00} | 14.90 |
| MUFN-70X90X14PWO | 70 | 90 | 14 | 14.00 ^{+0.60} / _{+0.40} | 6.40 ^{+0.10} / _{+0.00} | 70.00 ±0.095 | 84.20 ±0.11 | 90.00 ^{+0.14} / _{+0.00} | 18.32 |
| MUFN-80X100X14PWO | 80 | 100 | 14 | 14.00 ^{+0.60} / _{+0.40} | 6.40 ^{+0.10} / _{+0.00} | 80.00 ±0.095 | 94.20 ±0.11 | 100.00 ^{+0.14} / _{+0.00} | 19.80 |
| MUFN-85X104.5X12.5PWO | 85 | 104.5 | 12.8 | 12.50 ^{+0.60} / _{+0.40} | 6.40 ^{+0.10} / _{+0.00} | 85.00 ±0.11 | 98.80 ±0.11 | 104.50 ^{+0.14} / _{+0.00} | 22.01 |
| MUFN-85X105X14PWO | 85 | 105 | 14 | 14.00 ^{+0.60} / _{+0.40} | 6.40 ^{+0.10} / _{+0.00} | 85.00 ±0.11 | 99.42 ±0.11 | 105.00 ^{+0.14} / _{+0.00} | 21.41 |
| MUFN-90X110X12.5PWO | 90 | 110 | 12.5 | 12.50 ^{+0.60} / _{+0.40} | 6.40 ^{+0.10} / _{+0.00} | 90.00 ±0.11 | 104.10 ±0.11 | 110.00 ^{+0.14} / _{+0.00} | 13.37 |

PISTON U-SEALS



STYLE MHP26 TWO PIECE PISTON SEALS

Molded from 70A nitrile for high sealability, they employ a hard nylon anti-extrusion ring as a companion piece.



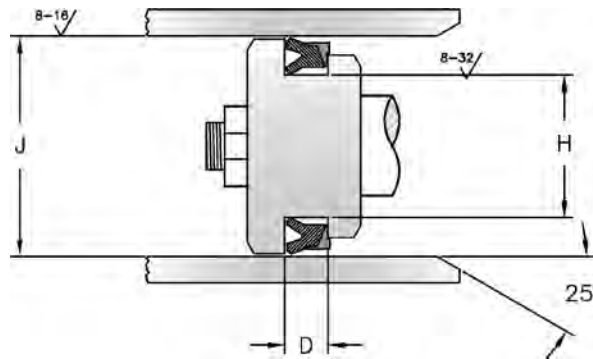
HERCULES PART NUMBERS

MHP26 - 045

Type of Seal Outside Diameter

SEAL INFORMATION

| | |
|-------------------|------------------------------|
| MATERIAL | 70A NITRILE NYLON BACK-UP |
| TEMPERATURE RANGE | -20° TO +220° F |
| PRESSURE RANGE | 0 TO 3,000 PSI |
| SPEED | 3 FT/SEC |



PISTON U-SEALS

| Part Number | A Nom. ID | B Nom. OD | C Nom. Ht | D GROOVE WIDTH | H GROOVE DIAMETER | J BORE DIAMETER | List Price |
|-------------|--------------|--------------|--------------|-------------------------|--------------------------|----------------------------|------------|
| MHP26-045 | 27 | 45 | 12 | 12.50 +0.20 +0.00 | 27.00 +0.00 -0.20 | 45.00 +0.062 +0.000 | \$29.63 |
| MHP26-050 | 32 | 50 | 12 | 12.50 +0.20 +0.00 | 32.00 +0.00 -0.20 | 50.00 +0.062 +0.000 | 37.34 |
| MHP26-055 | 37 | 55 | 12 | 12.50 +0.20 +0.00 | 37.00 +0.00 -0.20 | 55.00 +0.074 +0.000 | 37.34 |
| MHP26-060 | 42 | 60 | 12 | 12.50 +0.20 +0.00 | 42.00 +0.00 -0.20 | 60.00 +0.074 +0.000 | 37.34 |
| MHP26-065 | 47 | 65 | 12 | 12.50 +0.20 +0.00 | 47.00 +0.00 -0.20 | 65.00 +0.074 +0.000 | 37.34 |
| MHP26-070 | 48 | 70 | 14.5 | 15.00 +0.20 +0.00 | 48.00 +0.00 -0.20 | 70.00 +0.074 +0.000 | 37.34 |
| MHP26-080 | 58 | 80 | 14.5 | 15.00 +0.20 +0.00 | 58.00 +0.00 -0.20 | 80.00 +0.074 +0.000 | 37.34 |
| MHP26-090 | 68 | 90 | 14.5 | 15.00 +0.20 +0.00 | 68.00 +0.00 -0.20 | 90.00 +0.087 +0.000 | 44.11 |
| MHP26-100 | 78 | 100 | 14.5 | 15.00 +0.20 +0.00 | 78.00 +0.00 -0.20 | 100.00 +0.087 +0.000 | 44.11 |
| MHP26-110 | 88 | 110 | 14.5 | 15.00 +0.20 +0.00 | 88.00 +0.00 -0.20 | 110.00 +0.087 +0.000 | 49.35 |
| MHP26-115 | 93 | 115 | 14.5 | 15.00 +0.20 +0.00 | 93.00 +0.00 -0.20 | 115.00 +0.087 +0.000 | 49.35 |
| MHP26-120 | 98 | 120 | 14.5 | 15.00 +0.20 +0.00 | 98.00 +0.00 -0.20 | 120.00 +0.087 +0.000 | 51.20 |
| MHP26-125 | 103 | 125 | 14.5 | 15.00 +0.20 +0.00 | 103.00 +0.00 -0.20 | 125.00 +0.10 +0.00 | 55.55 |
| MHP26-130 | 108 | 130 | 14.5 | 15.00 +0.20 +0.00 | 108.00 +0.00 -0.20 | 130.00 +0.10 +0.00 | 55.55 |
| MHP26-140 | 118 | 140 | 14.5 | 15.00 +0.20 +0.00 | 118.00 +0.00 -0.20 | 140.00 +0.10 +0.00 | 64.05 |
| MHP26-150 | 128 | 150 | 14.5 | 15.00 +0.20 +0.00 | 128.00 +0.00 -0.20 | 150.00 +0.10 +0.00 | 71.40 |
| MHP26-160 | 138 | 160 | 14.5 | 15.00 +0.20 +0.00 | 138.00 +0.00 -0.20 | 160.00 +0.10 +0.00 | 76.97 |

NORTH AMERICA
PHONE 1-800-777-5617
FAX 1-800-759-6391

SALES OFFICE HOURS
8 A.M. TO 7:30 P.M. EASTERN TIME
www.HerculesUS.com

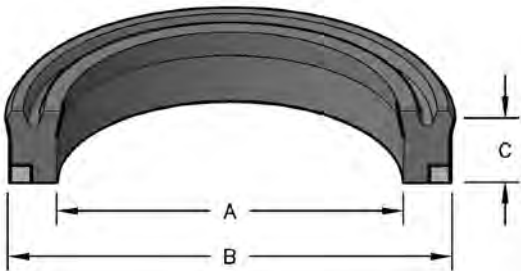
WORLDWIDE
PHONE 1-727-796-1300
FAX 1-727-797-8849

STYLE MHP26 TWO PIECE PISTON SEALS

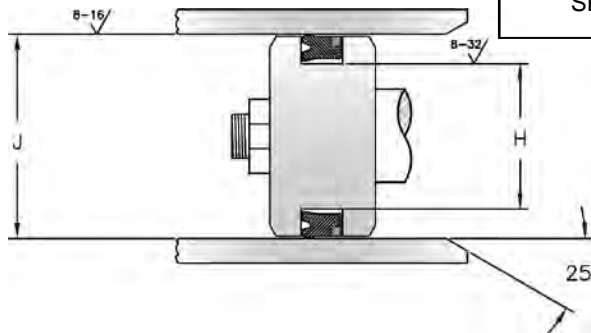
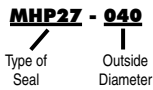
| Part Number | A Nom. ID | B Nom. OD | C Nom. Ht | D GROOVE WIDTH | H GROOVE DIAMETER | J BORE DIAMETER | List Price |
|-------------|--------------|--------------|--------------|---|--|--|---------------|
| MHP26-170 | 148 | 170 | 14.5 | 15.00 ^{+0.20} / _{+0.00} | 148.00 ^{+0.00} / _{-0.20} | 170.00 ^{+0.10} / _{+0.00} | 83.12 |
| MHP26-180 | 158 | 180 | 14.5 | 15.00 ^{+0.20} / _{+0.00} | 158.00 ^{+0.00} / _{-0.20} | 180.00 ^{+0.10} / _{+0.00} | 88.77 |
| MHP26-190 | 168 | 190 | 14.5 | 15.00 ^{+0.20} / _{+0.00} | 168.00 ^{+0.00} / _{-0.20} | 190.00 ^{+0.115} / _{+0.000} | 94.25 |
| MHP26-200 | 178 | 200 | 14.5 | 15.00 ^{+0.20} / _{+0.00} | 178.00 ^{+0.00} / _{-0.20} | 200.00 ^{+0.115} / _{+0.000} | 96.37 |

STYLE MHP27 U-TYPE PISTON SEALS

Molded from 70A nitrile for high sealability, they employ a hard acetal anti-extrusion ring as a companion piece.



HERCULES PART NUMBERS



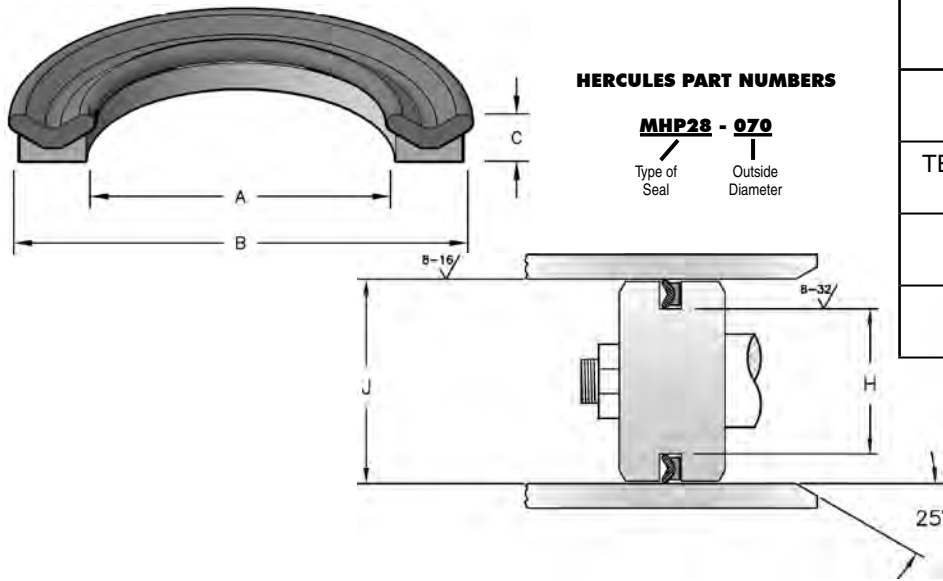
| SEAL INFORMATION | |
|-------------------|-------------------------------|
| MATERIAL | 70A NITRILE ACETAL BACK-UP |
| TEMPERATURE RANGE | -20° TO +220° F |
| PRESSURE RANGE | 0 TO 4,000 PSI |
| SPEED | 3 FT/SEC |

| Part Number | A Nom. ID | B Nom. OD | C Nom. Ht | H GROOVE DIAMETER | J BORE DIAMETER | List Price |
|-------------|--------------|--------------|--------------|----------------------|--------------------|---------------|
| MHP27-040 | 25 | 40 | 12 | 25.00 | 40.00 | \$8.28 |
| MHP27-050 | 35 | 50 | 12 | 35.00 | 50.00 | 11.04 |
| MHP27-060 | 35 | 60 | 15.5 | 35.00 | 60.00 | 20.05 |
| MHP27-070 | 45 | 70 | 15.5 | 45.00 | 70.00 | 14.47 |
| MHP27-090 | 65 | 90 | 18 | 65.00 | 90.00 | 16.09 |
| MHP27-100 | 75 | 100 | 18 | 75.00 | 100.00 | 20.42 |

PISTON U-SEALS

STYLE MHP28 U-TYPE PISTON SEALS

Molded from 70A nitrile for high sealability, they employ a hard nylon anti-extrusion ring as a companion piece.



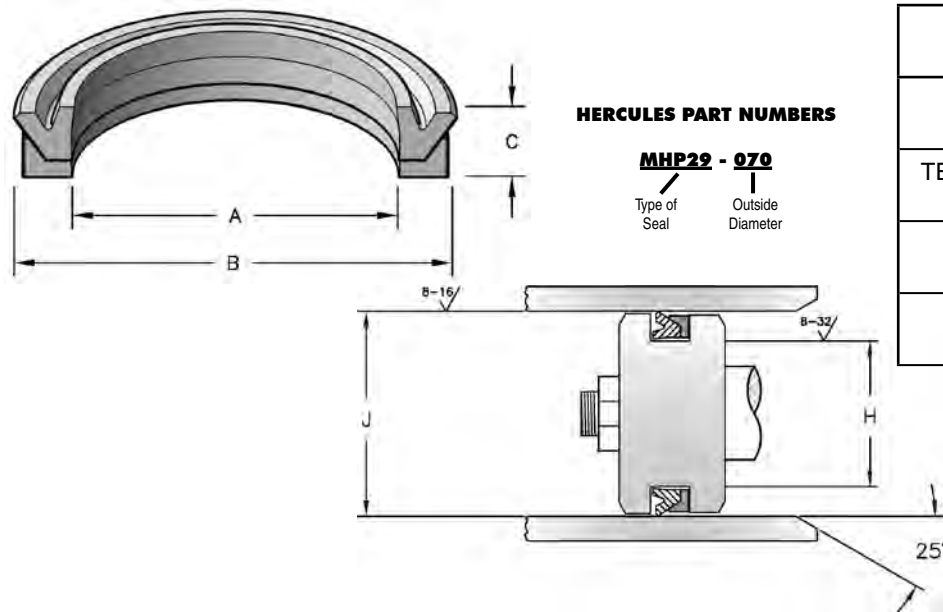
SEAL INFORMATION

| | |
|-------------------|------------------------------|
| MATERIAL | 70A NITRILE NYLON BACK-UP |
| TEMPERATURE RANGE | -20° TO +220° F |
| PRESSURE RANGE | 0 TO 3,000 PSI |
| SPEED | 3 FT/SEC |

| Part Number | A Nom. ID | B Nom. OD | C Nom. Ht | H GROOVE DIAMETER | J BORE DIAMETER | List Price |
|-------------|--------------|--------------|--------------|----------------------|--------------------|------------|
| MHP28-070 | 40 | 70 | 12 | 40.00 | 70.00 | \$49.18 |

STYLE MHP29 U-TYPE PISTON SEALS

Molded from urethane for resistance to extrusion and abrasion, they employ a hard nylon anti-extrusion ring.



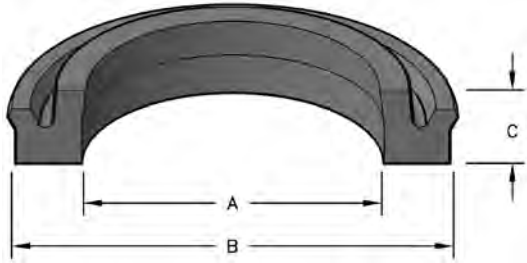
SEAL INFORMATION

| | |
|-------------------|--------------------------------|
| MATERIAL | URETHANE SEAL NYLON BACK-UP |
| TEMPERATURE RANGE | -40° TO +200° F |
| PRESSURE RANGE | 0 TO 3,000 PSI |
| SPEED | 3 FT/SEC |

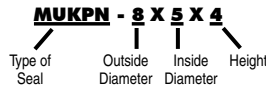
| Part Number | A Nom. ID | B Nom. OD | C Nom. Ht | H GROOVE DIAMETER | J BORE DIAMETER | List Price |
|-------------|--------------|--------------|--------------|----------------------|--------------------|------------|
| MHP29-070 | 55 | 70 | 12 | 55.00 | 70.00 | \$49.18 |
| MHP29-075 | 60 | 75 | 12 | 60.00 | 75.00 | 51.95 |
| MHP29-085 | 70 | 85 | 12 | 70.00 | 85.00 | 57.49 |

STYLE MUKPN U-TYPE PISTON SEALS

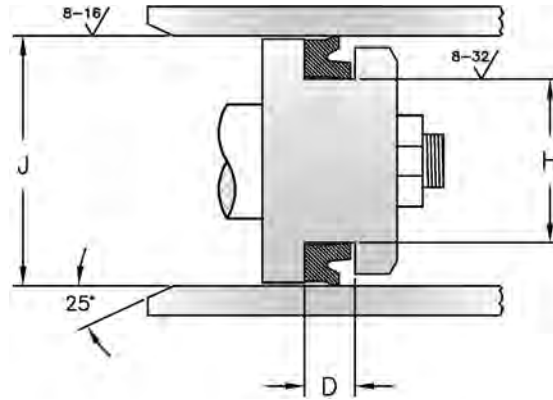
MUKPN is an asymmetrical single-acting pneumatic piston seal. Molded in nitrile, this seal is resistant to water and most oils while maintaining good low-pressure sealing.



HERCULES PART NUMBERS



| SEAL INFORMATION | |
|-------------------|-----------------|
| MATERIAL | 80 A NBR |
| TEMPERATURE RANGE | -22° TO +212° F |
| PRESSURE RANGE | 0 TO 1,500 |
| SPEED | 3 FT/SEC |



| Part Number | A Nom. ID | B Nom. OD | C Nom. Ht | D GROOVE WIDTH | H GROOVE DIAMETER | J BORE DIAMETER | List Price |
|-----------------|--------------|--------------|--------------|-------------------------|---------------------------|-------------------------|------------|
| MUKPN-16X8X5.5 | 8 | 16 | 5.5 | 6.00 +0.20 +0.00 | 8.00 +0.000 -0.036 | 16.00 +0.11 +0.00 | \$3.77 |
| MUKPN-16X10X4 | 10 | 16 | 4 | 4.50 +0.20 +0.00 | 10.00 +0.000 -0.036 | 16.00 +0.11 +0.00 | 3.77 |
| MUKPN-18X10X5.5 | 10 | 18 | 5.5 | 6.00 +0.20 +0.00 | 10.00 +0.000 -0.036 | 18.00 +0.11 +0.00 | 21.19 |
| MUKPN-20X12X5.5 | 12 | 20 | 5.5 | 6.00 +0.20 +0.00 | 12.00 +0.000 -0.043 | 20.00 +0.13 +0.00 | 3.77 |
| MUKPN-20X14X5.5 | 14 | 20 | 5.5 | 5.90 +0.20 -0.10 | 14.00 +0.000 -0.043 | 20.00 +0.13 +0.00 | 4.80 |
| MUKPN-25X15X5 | 15 | 25 | 5 | 5.50 +0.20 +0.00 | 15.00 +0.000 -0.043 | 25.00 +0.13 +0.00 | 4.80 |
| MUKPN-28X16X9 | 16 | 28 | 9 | 10.00 +0.20 +0.00 | 16.00 +0.000 -0.043 | 28.00 +0.13 +0.00 | 4.80 |
| MUKPN-30X15X10 | 15 | 30 | 10 | 11.00 +0.20 +0.00 | 15.00 +0.000 -0.043 | 30.00 +0.13 +0.00 | 4.80 |
| MUKPN-30X20X7 | 20 | 30 | 7 | 7.50 +0.20 +0.00 | 20.00 +0.000 -0.052 | 30.00 +0.13 +0.00 | 6.07 |
| MUKPN-30X22X5.5 | 22 | 30 | 5.5 | 6.00 +0.20 +0.00 | 22.00 +0.000 -0.052 | 30.00 +0.13 +0.00 | 17.20 |
| MUKPN-32X22X7 | 22 | 32 | 7 | 7.50 +0.20 +0.00 | 22.00 +0.000 -0.052 | 32.00 +0.16 +0.00 | 6.07 |
| MUKPN-32X24X5.5 | 24 | 32 | 5.5 | 6.00 +0.20 +0.00 | 24.00 +0.000 -0.052 | 32.00 +0.16 +0.00 | 6.07 |
| MUKPN-35X22X8 | 22 | 35 | 8 | 8.50 +0.20 +0.00 | 22.00 +0.000 -0.052 | 35.00 +0.16 +0.00 | 6.32 |
| MUKPN-36X24X9 | 24 | 36 | 9 | 10.00 +0.20 +0.00 | 24.00 +0.000 -0.052 | 36.00 +0.16 +0.00 | 6.32 |
| MUKPN-38X26X10 | 26 | 38 | 10 | 11.00 +0.20 +0.00 | 26.00 +0.000 -0.052 | 38.00 +0.16 +0.00 | 6.32 |

PISTON U-SEALS



STYLE MUKPN U-TYPE PISTON SEALS

PISTON U-SEALS

| Part Number | A Nom. ID | B Nom. OD | C Nom. Ht | D GROOVE WIDTH | H GROOVE DIAMETER | J BORE DIAMETER | List Price |
|-------------------|--------------|--------------|--------------|---|---|--|---------------|
| MUKPN-40X28X6 | 28 | 40 | 6 | 6.50 ^{+0.20} / _{+0.00} | 28.00 ^{+0.000} / _{-0.052} | 40.00 ^{+0.16} / _{+0.00} | 8.66 |
| MUKPN-40X28X9 | 28 | 40 | 9 | 10.00 ^{+0.20} / _{+0.00} | 28.00 ^{+0.000} / _{-0.052} | 40.00 ^{+0.16} / _{+0.00} | 5.56 |
| MUKPN-40X30X7 | 30 | 40 | 7 | 7.50 ^{+0.20} / _{+0.00} | 30.00 ^{+0.000} / _{-0.052} | 40.00 ^{+0.16} / _{+0.00} | 5.56 |
| MUKPN-40X32X3.25 | 32 | 40 | 3.25 | 3.75 ^{+0.20} / _{+0.00} | 32.00 ^{+0.000} / _{-0.062} | 40.00 ^{+0.16} / _{+0.00} | 5.56 |
| MUKPN-44X28X12 | 28 | 44 | 12 | 13.00 ^{+0.20} / _{+0.00} | 28.00 ^{+0.000} / _{-0.052} | 44.00 ^{+0.16} / _{+0.00} | 14.86 |
| MUKPN-45X33X9 | 33 | 45 | 9 | 10.00 ^{+0.20} / _{+0.00} | 33.00 ^{+0.000} / _{-0.062} | 45.00 ^{+0.16} / _{+0.00} | 6.25 |
| MUKPN-48X40X5.5 | 40 | 48 | 5.5 | 6.00 ^{+0.20} / _{+0.00} | 40.00 ^{+0.000} / _{-0.062} | 48.00 ^{+0.16} / _{+0.00} | 16.35 |
| MUKPN-50X38X6 | 38 | 50 | 6 | 6.50 ^{+0.20} / _{+0.00} | 38.00 ^{+0.000} / _{-0.062} | 50.00 ^{+0.16} / _{+0.00} | 6.58 |
| MUKPN-50X40X7.2 | 40 | 50 | 7.2 | 7.70 ^{+0.20} / _{+0.00} | 40.00 ^{+0.000} / _{-0.062} | 50.00 ^{+0.16} / _{+0.00} | 6.58 |
| MUKPN-50X42X3.25 | 42 | 50 | 3.25 | 3.75 ^{+0.20} / _{+0.00} | 42.00 ^{+0.000} / _{-0.062} | 50.00 ^{+0.16} / _{+0.00} | 9.20 |
| MUKPN-55X45X7.5 | 45 | 55 | 7.5 | 8.00 ^{+0.20} / _{+0.00} | 45.00 ^{+0.000} / _{-0.062} | 55.00 ^{+0.19} / _{+0.00} | 7.48 |
| MUKPN-60X44X12 | 44 | 60 | 12 | 13.00 ^{+0.20} / _{+0.00} | 44.00 ^{+0.000} / _{-0.062} | 60.00 ^{+0.19} / _{+0.00} | 8.02 |
| MUKPN-60X48X9 | 48 | 60 | 9 | 10.00 ^{+0.20} / _{+0.00} | 48.00 ^{+0.000} / _{-0.062} | 60.00 ^{+0.19} / _{+0.00} | 8.02 |
| MUKPN-60X50X7 | 50 | 60 | 7 | 7.50 ^{+0.20} / _{+0.00} | 50.00 ^{+0.000} / _{-0.062} | 60.00 ^{+0.19} / _{+0.00} | 8.31 |
| MUKPN-60X50X10.5 | 50 | 60 | 10.5 | 11.50 ^{+0.20} / _{+0.00} | 50.00 ^{+0.000} / _{-0.062} | 60.00 ^{+0.19} / _{+0.00} | 8.37 |
| MUKPN-62X46X12 | 46 | 62 | 12 | 13.00 ^{+0.20} / _{+0.00} | 46.00 ^{+0.000} / _{-0.062} | 62.00 ^{+0.19} / _{+0.00} | 8.50 |
| MUKPN-65X49X12 | 49 | 65 | 12 | 13.00 ^{+0.20} / _{+0.00} | 49.00 ^{+0.000} / _{-0.062} | 65.00 ^{+0.19} / _{+0.00} | 8.50 |
| MUKPN-65X53X10 | 53 | 65 | 10 | 11.00 ^{+0.20} / _{+0.00} | 53.00 ^{+0.000} / _{-0.074} | 65.00 ^{+0.19} / _{+0.00} | 18.53 |
| MUKPN-65X55X12 | 55 | 65 | 12 | 13.00 ^{+0.20} / _{+0.00} | 55.00 ^{+0.000} / _{-0.074} | 65.00 ^{+0.19} / _{+0.00} | 8.78 |
| MUKPN-70X54X12 | 54 | 70 | 12 | 13.00 ^{+0.20} / _{+0.00} | 54.00 ^{+0.000} / _{-0.074} | 70.00 ^{+0.19} / _{+0.00} | 9.53 |
| MUKPN-70X58X8.5 | 58 | 70 | 8.5 | 9.50 ^{+0.20} / _{+0.00} | 58.00 ^{+0.000} / _{-0.074} | 70.00 ^{+0.19} / _{+0.00} | 9.53 |
| MUKPN-75X59X12 | 59 | 75 | 12 | 13.00 ^{+0.20} / _{+0.00} | 59.00 ^{+0.000} / _{-0.074} | 75.00 ^{+0.19} / _{+0.00} | 10.16 |
| MUKPN-75X63X8.5 | 63 | 75 | 8.5 | 9.50 ^{+0.20} / _{+0.00} | 63.00 ^{+0.000} / _{-0.074} | 75.00 ^{+0.19} / _{+0.00} | 10.67 |
| MUKPN-80X60X14 | 60 | 80 | 14 | 15.00 ^{+0.20} / _{+0.00} | 60.00 ^{+0.000} / _{-0.074} | 80.00 ^{+0.19} / _{+0.00} | 11.06 |
| MUKPN-80X68X8.5 | 68 | 80 | 8.5 | 9.50 ^{+0.20} / _{+0.00} | 68.00 ^{+0.000} / _{-0.074} | 80.00 ^{+0.19} / _{+0.00} | 11.06 |
| MUKPN-80X72X12 | 72 | 80 | 12 | 13.00 ^{+0.20} / _{+0.00} | 72.00 ^{+0.000} / _{-0.074} | 80.00 ^{+0.19} / _{+0.00} | 11.36 |
| MUKPN-85X73X8.2 | 73 | 85 | 8.2 | 9.20 ^{+0.20} / _{+0.00} | 73.00 ^{+0.000} / _{-0.074} | 85.00 ^{+0.22} / _{+0.00} | 11.83 |
| MUKPN-90X78X8.5 | 78 | 90 | 8.5 | 9.50 ^{+0.20} / _{+0.00} | 78.00 ^{+0.000} / _{-0.074} | 90.00 ^{+0.22} / _{+0.00} | 13.35 |
| MUKPN-100X82X13.5 | 82 | 100 | 13.5 | 14.50 ^{+0.20} / _{+0.00} | 82.00 ^{+0.000} / _{-0.087} | 100.00 ^{+0.22} / _{+0.00} | 80.20 |
| MUKPN-100X84X8 | 84 | 100 | 8 | 8.50 ^{+0.20} / _{+0.00} | 84.00 ^{+0.000} / _{-0.087} | 100.00 ^{+0.22} / _{+0.00} | 17.32 |
| MUKPN-100X88X8.5 | 88 | 100 | 8.5 | 9.50 ^{+0.20} / _{+0.00} | 88.00 ^{+0.000} / _{-0.087} | 100.00 ^{+0.22} / _{+0.00} | 18.42 |
| MUKPN-110X90X15 | 90 | 110 | 15 | 16.00 ^{+0.20} / _{+0.00} | 90.00 ^{+0.000} / _{-0.087} | 110.00 ^{+0.22} / _{+0.00} | 19.17 |
| MUKPN-110X95X10.4 | 95 | 110 | 10.4 | 11.40 ^{+0.20} / _{+0.00} | 95.00 ^{+0.000} / _{-0.087} | 110.00 ^{+0.22} / _{+0.00} | 19.17 |

NORTH AMERICA
PHONE 1-800-777-5617
FAX 1-800-759-6391

SALES OFFICE HOURS
8 A.M. TO 7:30 P.M. EASTERN TIME
www.HerculesUS.com

WORLDWIDE
PHONE 1-727-796-1300
FAX 1-727-797-8849



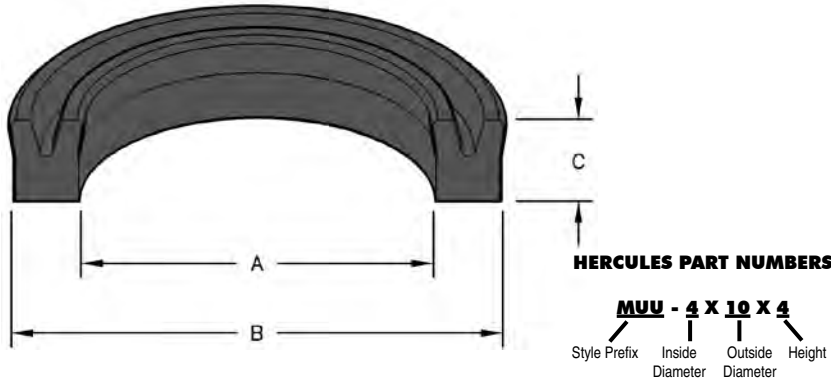
STYLE MUKPN U-TYPE PISTON SEALS

| Part Number | A Nom. ID | B Nom. OD | C Nom. Ht | D GROOVE WIDTH | H GROOVE DIAMETER | J BORE DIAMETER | List Price |
|--------------------|--------------|--------------|--------------|---|--|--|---------------|
| MUKPN-115X95X15 | 95 | 115 | 15 | 16.00 ^{+0.20} / _{+0.00} | 95.00 ^{+0.000} / _{-0.087} | 115.00 ^{+0.22} / _{+0.00} | 20.28 |
| MUKPN-115X100X10 | 100 | 115 | 10 | 11.00 ^{+0.20} / _{+0.00} | 100.00 ^{+0.000} / _{-0.087} | 115.00 ^{+0.22} / _{+0.00} | 20.28 |
| MUKPN-120X105X10 | 105 | 120 | 10 | 11.00 ^{+0.20} / _{+0.00} | 105.00 ^{+0.000} / _{-0.087} | 120.00 ^{+0.22} / _{+0.00} | 21.54 |
| MUKPN-120X106X14 | 106 | 120 | 14 | 15.00 ^{+0.20} / _{+0.00} | 106.00 ^{+0.000} / _{-0.087} | 120.00 ^{+0.22} / _{+0.00} | 21.54 |
| MUKPN-125X103X16 | 103 | 125 | 16 | 17.00 ^{+0.20} / _{+0.00} | 103.00 ^{+0.000} / _{-0.087} | 125.00 ^{+0.25} / _{+0.00} | 22.81 |
| MUKPN-125X110X10 | 110 | 125 | 10 | 11.00 ^{+0.20} / _{+0.00} | 110.00 ^{+0.000} / _{-0.087} | 125.00 ^{+0.25} / _{+0.00} | 19.53 |
| MUKPN-136X116X14 | 116 | 136 | 14 | 15.00 ^{+0.20} / _{+0.00} | 116.00 ^{+0.000} / _{-0.087} | 136.00 ^{+0.25} / _{+0.00} | 26.27 |
| MUKPN-140X120X14 | 120 | 140 | 14 | 15.00 ^{+0.20} / _{+0.00} | 120.00 ^{+0.000} / _{-0.087} | 140.00 ^{+0.25} / _{+0.00} | 23.70 |
| MUKPN-140X125X10 | 125 | 140 | 10 | 11.00 ^{+0.20} / _{+0.00} | 125.00 ^{+0.00} / _{-0.10} | 140.00 ^{+0.25} / _{+0.00} | 23.70 |
| MUKPN-150X135X10 | 135 | 150 | 10 | 11.00 ^{+0.20} / _{+0.00} | 135.00 ^{+0.00} / _{-0.10} | 150.00 ^{+0.25} / _{+0.00} | 58.35 |
| MUKPN-160X145X10 | 145 | 160 | 10 | 11.00 ^{+0.20} / _{+0.00} | 145.00 ^{+0.00} / _{-0.10} | 160.00 ^{+0.25} / _{+0.00} | 28.83 |
| MUKPN-200X180X8.25 | 180 | 200 | 8.25 | 9.25 ^{+0.20} / _{+0.00} | 180.00 ^{+0.00} / _{-0.10} | 200.00 ^{+0.29} / _{+0.00} | 62.05 |
| MUKPN-200X180X14 | 180 | 200 | 14 | 15.00 ^{+0.20} / _{+0.00} | 180.00 ^{+0.00} / _{-0.10} | 200.00 ^{+0.29} / _{+0.00} | 65.89 |
| MUKPN-250X230X14 | 230 | 250 | 14 | 15.00 ^{+0.20} / _{+0.00} | 230.00 ^{+0.000} / _{-0.115} | 250.00 ^{+0.29} / _{+0.00} | 88.11 |

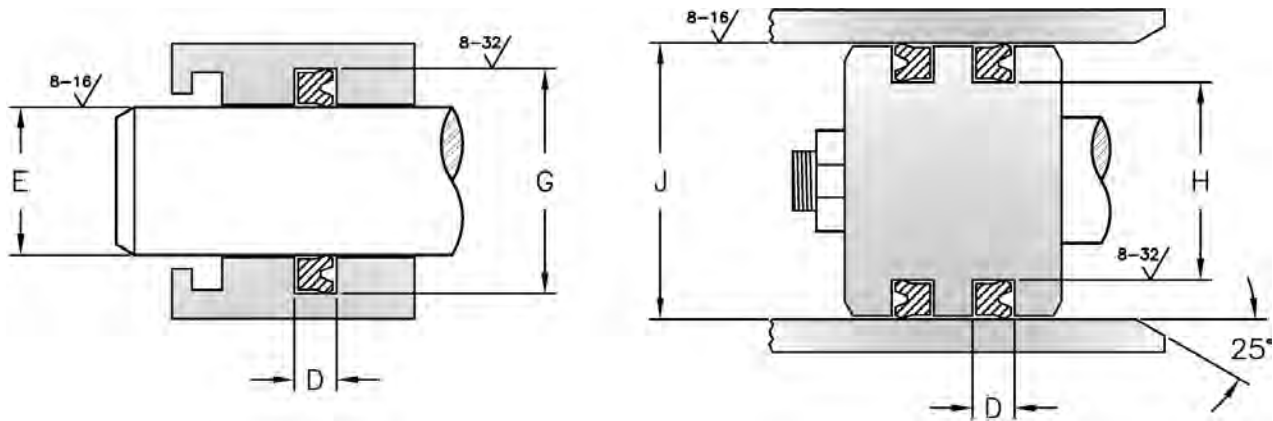
PISTON U-SEALS

STYLE MUU SYMMETRICAL U-SEALS

Utilizing tough polyurethane, these seals possess excellent wear and abrasion resistance. Symmetrical in design, they can be used in rod or piston applications. E= European Urethane.



| SEAL INFORMATION | |
|-------------------|-----------------|
| MATERIAL | URETHANE |
| TEMPERATURE RANGE | -22° TO +212° F |
| PRESSURE RANGE | 0 TO 5,000 PSI |
| SPEED | 3 FT/SEC |



| Part Number | A Nom. ID | B Nom. OD | C Nom. Ht | D GROOVE WIDTH | E ROD DIAMETER | G HOUSING DIAMETER | H GROOVE DIAMETER | J BORE DIAMETER | List Price |
|---------------|--------------|--------------|--------------|------------------------|---------------------------|--------------------------|---------------------------|---------------------------|---------------|
| MUU-4X10X4 | 4 | 10 | 4 | 4.50 +0.30 +0.00 | 4.00 -0.010 -0.028 | 10.00 +0.00 -0.20 | 4.00 +0.000 -0.048 | 10.00 +0.036 +0.000 | \$3.45 |
| MUU-4X10X4.5 | 4 | 10 | 4.5 | 5.00 +0.30 +0.00 | 4.00 -0.010 -0.028 | 10.00 +0.00 -0.20 | 4.00 +0.000 -0.048 | 10.00 +0.036 +0.000 | 3.45 |
| MUU-5X11X5 | 5 | 11 | 5 | 5.70 +0.30 +0.00 | 5.00 -0.010 -0.028 | 11.00 +0.00 -0.20 | 5.00 +0.000 -0.048 | 11.00 +0.043 +0.000 | 8.60 |
| MUU-5X12X6 | 5 | 12 | 6 | 7.00 +0.30 +0.00 | 5.00 -0.010 -0.028 | 12.00 +0.00 -0.20 | 5.00 +0.000 -0.048 | 12.00 +0.043 +0.000 | 3.29 |
| MUU-5X15X8 | 5 | 15 | 8 | 9.00 +0.30 +0.00 | 5.00 -0.010 -0.028 | 15.00 +0.00 -0.20 | 5.00 +0.000 -0.048 | 15.00 +0.043 +0.000 | 18.50 |
| MUU-6X12X4 | 6 | 12 | 4 | 5.00 +0.30 +0.00 | 6.00 -0.010 -0.028 | 12.00 +0.00 -0.20 | 6.00 +0.000 -0.048 | 12.00 +0.043 +0.000 | 4.00 |
| MUU-6X12X6 | 6 | 12 | 6 | 7.00 +0.30 +0.00 | 6.00 -0.010 -0.028 | 12.00 +0.00 -0.20 | 6.00 +0.000 -0.048 | 12.00 +0.043 +0.000 | 4.00 |
| MUU-6X12X8 | 6 | 12 | 8 | 9.00 +0.30 +0.00 | 6.00 -0.010 -0.028 | 12.00 +0.00 -0.20 | 6.00 +0.000 -0.048 | 12.00 +0.043 +0.000 | 5.68 |
| MUU-8X14X6 | 8 | 14 | 6 | 7.00 +0.30 +0.00 | 8.00 -0.013 -0.035 | 14.00 +0.00 -0.20 | 8.00 +0.000 -0.058 | 14.00 +0.043 +0.000 | 3.29 |
| MUU-8X15X8 | 8 | 15 | 8 | 9.00 +0.30 +0.00 | 8.00 -0.013 -0.035 | 15.00 +0.00 -0.20 | 8.00 +0.000 -0.058 | 15.00 +0.043 +0.000 | 3.45 |
| MUU-8X16X5.7 | 8 | 16 | 5.7 | 6.30 +0.30 +0.00 | 8.00 -0.013 -0.035 | 16.00 +0.00 -0.20 | 8.00 +0.000 -0.058 | 16.00 +0.043 +0.000 | 3.29 |
| MUU-10X16X4 | 10 | 16 | 4 | 4.50 +0.30 +0.00 | 10.00 -0.013 -0.035 | 16.00 +0.00 -0.20 | 10.00 +0.000 -0.058 | 16.00 +0.043 +0.000 | 5.04 |
| MUU-10X16X6 | 10 | 16 | 6 | 7.00 +0.30 +0.00 | 10.00 -0.013 -0.035 | 16.00 +0.00 -0.20 | 10.00 +0.000 -0.058 | 16.00 +0.043 +0.000 | 14.08 |
| MUU-10X18X5.5 | 10 | 18 | 5.5 | 6.50 +0.30 +0.00 | 10.00 -0.013 -0.035 | 18.00 +0.00 -0.20 | 10.00 +0.000 -0.058 | 18.00 +0.043 +0.000 | 3.83 |



STYLE MUU SYMMETRICAL U-SEALS

| Part Number | A Nom. ID | B Nom. OD | C Nom. Ht | D GROOVE WIDTH | E ROD DIAMETER | G HOUSING DIAMETER | H GROOVE DIAMETER | J BORE DIAMETER | List Price |
|-----------------|--------------|--------------|--------------|---|---|---|---|---|---------------|
| MUU-10X18X6 | 10 | 18 | 6 | 7.00 ^{+0.30} / _{+0.00} | 10.00 ^{-0.013} / _{-0.035} | 18.00 ^{+0.00} / _{-0.20} | 10.00 ^{+0.000} / _{-0.058} | 18.00 ^{+0.043} / _{+0.000} | 3.83 |
| MUU-10X20X8 | 10 | 20 | 8 | 9.00 ^{+0.30} / _{+0.00} | 10.00 ^{-0.013} / _{-0.035} | 20.00 ^{+0.084} / _{+0.000} | 10.00 ^{+0.000} / _{-0.058} | 20.00 ^{+0.052} / _{+0.000} | 4.23 |
| MUU-11.2X19.2X5 | 11.2 | 19.2 | 5 | 5.70 ^{+0.30} / _{+0.00} | 11.20 ^{-0.016} / _{-0.043} | 19.20 ^{+0.00} / _{-0.20} | 11.20 ^{+0.00} / _{-0.07} | 19.20 ^{+0.052} / _{+0.000} | 4.36 |
| MUU-11.2X21.2X8 | 11.2 | 21.2 | 8 | 9.00 ^{+0.30} / _{+0.00} | 11.20 ^{-0.016} / _{-0.043} | 21.20 ^{+0.084} / _{+0.000} | 11.20 ^{+0.00} / _{-0.07} | 21.20 ^{+0.052} / _{+0.000} | 5.66 |
| MUU-12X18X4.8 | 12 | 18 | 4.8 | 5.30 ^{+0.30} / _{+0.00} | 12.00 ^{-0.016} / _{-0.043} | 18.00 ^{+0.00} / _{-0.20} | 12.00 ^{+0.00} / _{-0.07} | 18.00 ^{+0.043} / _{+0.000} | 4.36 |
| MUU-12X18X6 | 12 | 18 | 6 | 7.00 ^{+0.30} / _{+0.00} | 12.00 ^{-0.016} / _{-0.043} | 18.00 ^{+0.00} / _{-0.20} | 12.00 ^{+0.00} / _{-0.07} | 18.00 ^{+0.043} / _{+0.000} | 4.36 |
| MUU-12X20X8 | 12 | 20 | 8 | 9.00 ^{+0.30} / _{+0.00} | 12.00 ^{-0.016} / _{-0.043} | 20.00 ^{+0.00} / _{-0.20} | 12.00 ^{+0.00} / _{-0.07} | 20.00 ^{+0.052} / _{+0.000} | 4.36 |
| MUU-12X22X5 | 12 | 22 | 5 | 5.70 ^{+0.30} / _{+0.00} | 12.00 ^{-0.016} / _{-0.043} | 22.00 ^{+0.00} / _{-0.20} | 12.00 ^{+0.00} / _{-0.07} | 22.00 ^{+0.052} / _{+0.000} | 4.23 |
| MUU-12X22X7 | 12 | 22 | 7 | 8.00 ^{+0.30} / _{+0.00} | 12.00 ^{-0.016} / _{-0.043} | 22.00 ^{+0.00} / _{-0.20} | 12.00 ^{+0.00} / _{-0.07} | 22.00 ^{+0.052} / _{+0.000} | 5.29 |
| MUU-12X22X8 | 12 | 22 | 8 | 9.00 ^{+0.30} / _{+0.00} | 12.00 ^{-0.016} / _{-0.043} | 22.00 ^{+0.00} / _{-0.20} | 12.00 ^{+0.00} / _{-0.07} | 22.00 ^{+0.052} / _{+0.000} | 5.29 |
| MUU-14X20X4.8 | 14 | 20 | 4.8 | 5.30 ^{+0.30} / _{+0.00} | 14.00 ^{-0.016} / _{-0.043} | 20.00 ^{+0.00} / _{-0.20} | 14.00 ^{+0.00} / _{-0.07} | 20.00 ^{+0.052} / _{+0.000} | 4.00 |
| MUU-14X22X5 | 14 | 22 | 5 | 5.70 ^{+0.30} / _{+0.00} | 14.00 ^{-0.016} / _{-0.043} | 22.00 ^{+0.00} / _{-0.20} | 14.00 ^{+0.00} / _{-0.07} | 22.00 ^{+0.052} / _{+0.000} | 4.80 |
| MUU-14X22X6 | 14 | 22 | 6 | 7.00 ^{+0.30} / _{+0.00} | 14.00 ^{-0.016} / _{-0.043} | 22.00 ^{+0.00} / _{-0.20} | 14.00 ^{+0.00} / _{-0.07} | 22.00 ^{+0.052} / _{+0.000} | 4.64 |
| MUU-14X24X8 | 14 | 24 | 8 | 9.00 ^{+0.30} / _{+0.00} | 14.00 ^{-0.016} / _{-0.043} | 24.00 ^{+0.084} / _{+0.000} | 14.00 ^{+0.00} / _{-0.07} | 24.00 ^{+0.052} / _{+0.000} | 4.36 |
| MUU-15X25X5 | 15 | 25 | 5 | 5.70 ^{+0.30} / _{+0.00} | 15.00 ^{-0.016} / _{-0.043} | 25.00 ^{+0.00} / _{-0.20} | 15.00 ^{+0.00} / _{-0.07} | 25.00 ^{+0.052} / _{+0.000} | 6.89 |
| MUU-15X25X8 | 15 | 25 | 8 | 9.00 ^{+0.30} / _{+0.00} | 15.00 ^{-0.016} / _{-0.043} | 25.00 ^{+0.084} / _{+0.000} | 15.00 ^{+0.00} / _{-0.07} | 25.00 ^{+0.052} / _{+0.000} | 5.15 |
| MUU-16X22X4 | 16 | 22 | 4 | 4.50 ^{+0.30} / _{+0.00} | 16.00 ^{-0.016} / _{-0.043} | 22.00 ^{+0.00} / _{-0.20} | 16.00 ^{+0.00} / _{-0.07} | 22.00 ^{+0.052} / _{+0.000} | 4.36 |
| MUU-16X22X5 | 16 | 22 | 5 | 5.70 ^{+0.30} / _{+0.00} | 16.00 ^{-0.016} / _{-0.043} | 22.00 ^{+0.00} / _{-0.20} | 16.00 ^{+0.00} / _{-0.07} | 22.00 ^{+0.052} / _{+0.000} | 4.36 |
| MUU-16X24X5 | 16 | 24 | 5 | 5.70 ^{+0.30} / _{+0.00} | 16.00 ^{-0.016} / _{-0.043} | 24.00 ^{+0.00} / _{-0.20} | 16.00 ^{+0.00} / _{-0.07} | 24.00 ^{+0.052} / _{+0.000} | 4.64 |
| MUU-16X25X7.1 | 16 | 25 | 7.1 | 8.25 ^{+0.30} / _{+0.00} | 16.00 ^{-0.016} / _{-0.043} | 25.00 ^{+0.00} / _{-0.20} | 16.00 ^{+0.00} / _{-0.07} | 25.00 ^{+0.052} / _{+0.000} | 7.03 |
| MUU-16X26X5 | 16 | 26 | 5 | 5.70 ^{+0.30} / _{+0.00} | 16.00 ^{-0.016} / _{-0.043} | 26.00 ^{+0.00} / _{-0.20} | 16.00 ^{+0.00} / _{-0.07} | 26.00 ^{+0.052} / _{+0.000} | 5.04 |
| MUU-16X26X8 | 16 | 26 | 8 | 9.00 ^{+0.30} / _{+0.00} | 16.00 ^{-0.016} / _{-0.043} | 26.00 ^{+0.084} / _{+0.000} | 16.00 ^{+0.00} / _{-0.07} | 26.00 ^{+0.052} / _{+0.000} | 6.10 |
| MUU-17X25X10 | 17 | 25 | 10 | 11.00 ^{+0.30} / _{+0.00} | 17.00 ^{-0.016} / _{-0.043} | 25.00 ^{+0.00} / _{-0.20} | 17.00 ^{+0.00} / _{-0.07} | 25.00 ^{+0.052} / _{+0.000} | 5.29 |
| MUU-18X25X5 | 18 | 25 | 5 | 5.70 ^{+0.30} / _{+0.00} | 18.00 ^{-0.016} / _{-0.043} | 25.00 ^{+0.00} / _{-0.20} | 18.00 ^{+0.00} / _{-0.07} | 25.00 ^{+0.052} / _{+0.000} | 5.83 |
| MUU-18X26X5 | 18 | 26 | 5 | 5.70 ^{+0.30} / _{+0.00} | 18.00 ^{-0.016} / _{-0.043} | 26.00 ^{+0.00} / _{-0.20} | 18.00 ^{+0.00} / _{-0.07} | 26.00 ^{+0.052} / _{+0.000} | 6.50 |
| MUU-18X26X6.5 | 18 | 26 | 6.5 | 7.50 ^{+0.30} / _{+0.00} | 18.00 ^{-0.016} / _{-0.043} | 26.00 ^{+0.00} / _{-0.20} | 18.00 ^{+0.00} / _{-0.07} | 26.00 ^{+0.052} / _{+0.000} | 5.15 |
| MUU-18X26X8 | 18 | 26 | 8 | 9.00 ^{+0.30} / _{+0.00} | 18.00 ^{-0.016} / _{-0.043} | 26.00 ^{+0.00} / _{-0.20} | 18.00 ^{+0.00} / _{-0.07} | 26.00 ^{+0.052} / _{+0.000} | 8.55 |
| MUU-18X28X8 | 18 | 28 | 8 | 9.00 ^{+0.30} / _{+0.00} | 18.00 ^{-0.016} / _{-0.043} | 28.00 ^{+0.084} / _{+0.000} | 18.00 ^{+0.00} / _{-0.07} | 28.00 ^{+0.052} / _{+0.000} | 5.15 |
| MUU-18X30X8 | 18 | 30 | 8 | 9.00 ^{+0.30} / _{+0.00} | 18.00 ^{-0.016} / _{-0.043} | 30.00 ^{+0.00} / _{-0.20} | 18.00 ^{+0.00} / _{-0.07} | 30.00 ^{+0.052} / _{+0.000} | 5.68 |
| MUU-18X34X8 | 18 | 34 | 8 | 9.00 ^{+0.30} / _{+0.00} | 18.00 ^{-0.016} / _{-0.043} | 34.00 ^{+0.00} / _{-0.20} | 18.00 ^{+0.00} / _{-0.07} | 34.00 ^{+0.062} / _{+0.000} | 11.45 |
| MUU-20X28X4 | 20 | 28 | 4 | 4.50 ^{+0.30} / _{+0.00} | 20.00 ^{-0.020} / _{-0.053} | 28.00 ^{+0.00} / _{-0.20} | 20.00 ^{+0.000} / _{-0.084} | 28.00 ^{+0.052} / _{+0.000} | 5.43 |
| MUU-20X28X5 | 20 | 28 | 5 | 5.70 ^{+0.30} / _{+0.00} | 20.00 ^{-0.020} / _{-0.053} | 28.00 ^{+0.00} / _{-0.20} | 20.00 ^{+0.000} / _{-0.084} | 28.00 ^{+0.052} / _{+0.000} | 6.70 |
| MUU-20X28X8 | 20 | 28 | 8 | 9.00 ^{+0.30} / _{+0.00} | 20.00 ^{-0.020} / _{-0.053} | 28.00 ^{+0.00} / _{-0.20} | 20.00 ^{+0.000} / _{-0.084} | 28.00 ^{+0.052} / _{+0.000} | 5.56 |

U-SEALS

FORMERLY LISTED SEALS ARE AVAILABLE ONLINE AT WWW.HERCULESUS.COM
OR BY CONTACTING YOUR REGIONAL HERCULES SALES TEAM.



STYLE MUU SYMMETRICAL U-SEALS

| Part Number | A Nom. ID | B Nom. OD | C Nom. Ht | D GROOVE WIDTH | E ROD DIAMETER | G HOUSING DIAMETER | H GROOVE DIAMETER | J BORE DIAMETER | List Price |
|-----------------|--------------|--------------|--------------|---|---|---|---|---|---------------|
| MUU-20X30X8 | 20 | 30 | 8 | 9.00 ^{+0.30} / _{+0.00} | 20.00 ^{-0.020} / _{-0.053} | 30.00 ^{+0.084} / _{+0.000} | 20.00 ^{+0.000} / _{-0.084} | 30.00 ^{+0.052} / _{+0.000} | 5.83 |
| MUU-20X30X10 | 20 | 30 | 10 | 11.00 ^{+0.30} / _{+0.00} | 20.00 ^{-0.020} / _{-0.053} | 30.00 ^{+0.00} / _{-0.20} | 20.00 ^{+0.000} / _{-0.084} | 30.00 ^{+0.052} / _{+0.000} | 5.83 |
| MUU-20X32X7.5 | 20 | 32 | 7.5 | 8.50 ^{+0.30} / _{+0.00} | 20.00 ^{-0.020} / _{-0.053} | 32.00 ^{+0.00} / _{-0.20} | 20.00 ^{+0.000} / _{-0.084} | 32.00 ^{+0.062} / _{+0.000} | 5.43 |
| MUU-20X35X12 | 20 | 35 | 12 | 13.00 ^{+0.30} / _{+0.00} | 20.00 ^{-0.020} / _{-0.053} | 35.00 ^{+0.00} / _{-0.20} | 20.00 ^{+0.000} / _{-0.084} | 35.00 ^{+0.062} / _{+0.000} | 6.10 |
| MUU-20X40X10 | 20 | 40 | 10 | 11.00 ^{+0.30} / _{+0.00} | 20.00 ^{-0.020} / _{-0.053} | 40.00 ^{+0.00} / _{-0.20} | 20.00 ^{+0.000} / _{-0.084} | 40.00 ^{+0.062} / _{+0.000} | 7.15 |
| MUU-20X40X12 | 20 | 40 | 12 | 13.00 ^{+0.30} / _{+0.00} | 20.00 ^{-0.020} / _{-0.053} | 40.00 ^{+0.00} / _{-0.20} | 20.00 ^{+0.000} / _{-0.084} | 40.00 ^{+0.062} / _{+0.000} | 10.91 |
| MUU-22X28X8 | 22 | 28 | 8 | 9.00 ^{+0.30} / _{+0.00} | 22.00 ^{-0.020} / _{-0.053} | 28.00 ^{+0.00} / _{-0.20} | 22.00 ^{+0.000} / _{-0.084} | 28.00 ^{+0.052} / _{+0.000} | 6.22 |
| MUU-22X30X6 | 22 | 30 | 6 | 7.00 ^{+0.30} / _{+0.00} | 22.00 ^{-0.020} / _{-0.053} | 30.00 ^{+0.00} / _{-0.20} | 22.00 ^{+0.000} / _{-0.084} | 30.00 ^{+0.052} / _{+0.000} | 5.83 |
| MUU-22X30X7 | 22 | 30 | 7 | 8.00 ^{+0.30} / _{+0.00} | 22.00 ^{-0.020} / _{-0.053} | 30.00 ^{+0.00} / _{-0.20} | 22.00 ^{+0.000} / _{-0.084} | 30.00 ^{+0.052} / _{+0.000} | 6.29 |
| MUU-22X30X10 | 22 | 30 | 10 | 11.00 ^{+0.30} / _{+0.00} | 22.00 ^{-0.020} / _{-0.053} | 30.00 ^{+0.00} / _{-0.20} | 22.00 ^{+0.000} / _{-0.084} | 30.00 ^{+0.052} / _{+0.000} | 6.15 |
| MUU-22X32X8 | 22 | 32 | 8 | 9.00 ^{+0.30} / _{+0.00} | 22.00 ^{-0.020} / _{-0.053} | 32.00 ^{+0.10} / _{+0.00} | 22.00 ^{+0.000} / _{-0.084} | 32.00 ^{+0.062} / _{+0.000} | 6.10 |
| MUU-22X35X10 | 22 | 35 | 10 | 11.00 ^{+0.30} / _{+0.00} | 22.00 ^{-0.020} / _{-0.053} | 35.00 ^{+0.10} / _{+0.00} | 22.00 ^{+0.000} / _{-0.084} | 35.00 ^{+0.062} / _{+0.000} | 5.68 |
| MUU-22.4X30X5 | 22.4 | 30 | 5 | 5.70 ^{+0.30} / _{+0.00} | 22.40 ^{-0.020} / _{-0.053} | 30.00 ^{+0.00} / _{-0.20} | 22.40 ^{+0.000} / _{-0.084} | 30.00 ^{+0.052} / _{+0.000} | 9.16 |
| MUU-23.5X31.5X5 | 23.5 | 31.5 | 5 | 5.70 ^{+0.30} / _{+0.00} | 23.50 ^{-0.020} / _{-0.053} | 31.50 ^{+0.00} / _{-0.20} | 23.50 ^{+0.000} / _{-0.084} | 31.50 ^{+0.062} / _{+0.000} | 9.24 |
| MUU-24X32X7 | 24 | 32 | 7 | 8.00 ^{+0.30} / _{+0.00} | 24.00 ^{-0.020} / _{-0.053} | 32.00 ^{+0.00} / _{-0.20} | 24.00 ^{+0.000} / _{-0.084} | 32.00 ^{+0.062} / _{+0.000} | 5.04 |
| MUU-24X40X8 | 24 | 40 | 8 | 9.00 ^{+0.30} / _{+0.00} | 24.00 ^{-0.020} / _{-0.053} | 40.00 ^{+0.00} / _{-0.20} | 24.00 ^{+0.000} / _{-0.084} | 40.00 ^{+0.062} / _{+0.000} | 6.38 |
| MUU-25X30X8 | 25 | 30 | 8 | 9.00 ^{+0.30} / _{+0.00} | 25.00 ^{-0.020} / _{-0.053} | 30.00 ^{+0.00} / _{-0.20} | 25.00 ^{+0.000} / _{-0.084} | 30.00 ^{+0.052} / _{+0.000} | 5.03 |
| MUU-25X33X5 | 25 | 33 | 5 | 5.70 ^{+0.30} / _{+0.00} | 25.00 ^{-0.020} / _{-0.053} | 33.00 ^{+0.00} / _{-0.20} | 25.00 ^{+0.000} / _{-0.084} | 33.00 ^{+0.062} / _{+0.000} | 9.24 |
| MUU-25X33X5.7 | 25 | 33 | 5.7 | 6.30 ^{+0.30} / _{+0.00} | 25.00 ^{-0.020} / _{-0.053} | 33.00 ^{+0.00} / _{-0.20} | 25.00 ^{+0.000} / _{-0.084} | 33.00 ^{+0.062} / _{+0.000} | 4.64 |
| MUU-25X33X8 | 25 | 33 | 8 | 9.00 ^{+0.30} / _{+0.00} | 25.00 ^{-0.020} / _{-0.053} | 33.00 ^{+0.00} / _{-0.20} | 25.00 ^{+0.000} / _{-0.084} | 33.00 ^{+0.062} / _{+0.000} | 6.10 |
| MUU-25X35X5 | 25 | 35 | 5 | 5.70 ^{+0.30} / _{+0.00} | 25.00 ^{-0.020} / _{-0.053} | 35.00 ^{+0.00} / _{-0.20} | 25.00 ^{+0.000} / _{-0.084} | 35.00 ^{+0.062} / _{+0.000} | 5.68 |
| MUU-25X35X6 | 25 | 35 | 6 | 7.00 ^{+0.30} / _{+0.00} | 25.00 ^{-0.020} / _{-0.053} | 35.00 ^{+0.00} / _{-0.20} | 25.00 ^{+0.000} / _{-0.084} | 35.00 ^{+0.062} / _{+0.000} | 9.24 |
| MUU-25X35X8 | 25 | 35 | 8 | 9.00 ^{+0.30} / _{+0.00} | 25.00 ^{-0.020} / _{-0.053} | 35.00 ^{+0.10} / _{+0.00} | 25.00 ^{+0.000} / _{-0.084} | 35.00 ^{+0.062} / _{+0.000} | 4.64 |
| MUU-25X35X10 | 25 | 35 | 10 | 11.00 ^{+0.30} / _{+0.00} | 25.00 ^{-0.020} / _{-0.053} | 35.00 ^{+0.00} / _{-0.20} | 25.00 ^{+0.000} / _{-0.084} | 35.00 ^{+0.062} / _{+0.000} | 5.68 |
| MUU-25X38X10 | 25 | 38 | 10 | 11.00 ^{+0.30} / _{+0.00} | 25.00 ^{-0.020} / _{-0.053} | 38.00 ^{+0.00} / _{-0.20} | 25.00 ^{+0.000} / _{-0.084} | 38.00 ^{+0.062} / _{+0.000} | 5.83 |
| MUU-25X40X10 | 25 | 40 | 10 | 11.00 ^{+0.30} / _{+0.00} | 25.00 ^{-0.020} / _{-0.053} | 40.00 ^{+0.10} / _{+0.00} | 25.00 ^{+0.000} / _{-0.084} | 40.00 ^{+0.062} / _{+0.000} | 11.64 |
| MUU-25X45X10 | 25 | 45 | 10 | 11.00 ^{+0.30} / _{+0.00} | 25.00 ^{-0.020} / _{-0.053} | 45.00 ^{+0.00} / _{-0.20} | 25.00 ^{+0.000} / _{-0.084} | 45.00 ^{+0.062} / _{+0.000} | 9.74 |
| MUU-25X50X12 | 25 | 50 | 12 | 13.00 ^{+0.30} / _{+0.00} | 25.00 ^{-0.020} / _{-0.053} | 50.00 ^{+0.00} / _{-0.20} | 25.00 ^{+0.000} / _{-0.084} | 50.00 ^{+0.062} / _{+0.000} | 4.56 |
| MUU-26X34X6 | 26 | 34 | 6 | 7.00 ^{+0.30} / _{+0.00} | 26.00 ^{-0.020} / _{-0.053} | 34.00 ^{+0.00} / _{-0.20} | 26.00 ^{+0.000} / _{-0.084} | 34.00 ^{+0.062} / _{+0.000} | 4.84 |
| MUU-26X38X8 | 26 | 38 | 8 | 9.00 ^{+0.30} / _{+0.00} | 26.00 ^{-0.020} / _{-0.053} | 38.00 ^{+0.00} / _{-0.20} | 26.00 ^{+0.000} / _{-0.084} | 38.00 ^{+0.062} / _{+0.000} | 3.49 |
| MUU-28X35X5 | 28 | 35 | 5 | 5.70 ^{+0.30} / _{+0.00} | 28.00 ^{-0.020} / _{-0.053} | 35.00 ^{+0.00} / _{-0.20} | 28.00 ^{+0.000} / _{-0.084} | 35.00 ^{+0.062} / _{+0.000} | 5.83 |
| MUU-28X35.5X5 | 28 | 35.5 | 5 | 5.70 ^{+0.30} / _{+0.00} | 28.00 ^{-0.020} / _{-0.053} | 35.50 ^{+0.00} / _{-0.20} | 28.00 ^{+0.000} / _{-0.084} | 35.50 ^{+0.062} / _{+0.000} | 9.95 |
| MUU-28X36X5 | 28 | 36 | 5 | 5.70 ^{+0.30} / _{+0.00} | 28.00 ^{-0.020} / _{-0.053} | 36.00 ^{+0.00} / _{-0.20} | 28.00 ^{+0.000} / _{-0.084} | 36.00 ^{+0.062} / _{+0.000} | 6.62 |

U-SEALS

NORTH AMERICA
PHONE 1-800-777-5617
FAX 1-800-759-6391

SALES OFFICE HOURS
8 A.M. TO 7:30 P.M. EASTERN TIME
www.HerculesUS.com

WORLDWIDE
PHONE 1-727-796-1300
FAX 1-727-797-8849



STYLE MUU SYMMETRICAL U-SEALS

| Part Number | A Nom. ID | B Nom. OD | C Nom. Ht | D GROOVE WIDTH | E ROD DIAMETER | G HOUSING DIAMETER | H GROOVE DIAMETER | J BORE DIAMETER | List Price |
|-----------------|--------------|--------------|--------------|----------------------|------------------------|--------------------------|------------------------|------------------------|---------------|
| MUU-28X36X6.5 | 28 | 36 | 6.5 | 7.50 +0.30 +0.00 | 28.00 -0.020 -0.053 | 36.00 +0.00 -0.20 | 28.00 +0.000 -0.084 | 36.00 +0.062 +0.000 | 5.04 |
| MUU-28X38X7 | 28 | 38 | 7 | 8.00 +0.30 +0.00 | 28.00 -0.020 -0.053 | 38.00 +0.00 -0.20 | 28.00 +0.000 -0.084 | 38.00 +0.062 +0.000 | 3.97 |
| MUU-28X38X8 | 28 | 38 | 8 | 9.00 +0.30 +0.00 | 28.00 -0.020 -0.053 | 38.00 +0.00 -0.20 | 28.00 +0.000 -0.084 | 38.00 +0.062 +0.000 | 5.83 |
| MUU-28X38X10 | 28 | 38 | 10 | 11.00 +0.30 +0.00 | 28.00 -0.020 -0.053 | 38.00 +0.00 -0.20 | 28.00 +0.000 -0.084 | 38.00 +0.062 +0.000 | 3.62 |
| MUU-28X40X8 | 28 | 40 | 8 | 9.00 +0.30 +0.00 | 28.00 -0.020 -0.053 | 40.00 +0.00 -0.20 | 28.00 +0.000 -0.084 | 40.00 +0.062 +0.000 | 6.38 |
| MUU-28X40X10 | 28 | 40 | 10 | 11.00 +0.30 +0.00 | 28.00 -0.020 -0.053 | 40.00 +0.10 +0.00 | 28.00 +0.000 -0.084 | 40.00 +0.062 +0.000 | 6.38 |
| MUU-28X43X10 | 28 | 43 | 10 | 11.00 +0.30 +0.00 | 28.00 -0.020 -0.053 | 43.00 +0.10 +0.00 | 28.00 +0.000 -0.084 | 43.00 +0.062 +0.000 | 2.87 |
| MUU-28X44X8 | 28 | 44 | 8 | 9.00 +0.30 +0.00 | 28.00 -0.020 -0.053 | 44.00 +0.00 -0.20 | 28.00 +0.000 -0.084 | 44.00 +0.062 +0.000 | 3.81 |
| MUU-30X38X5 | 30 | 38 | 5 | 5.70 +0.30 +0.00 | 30.00 -0.020 -0.053 | 38.00 +0.00 -0.20 | 30.00 +0.000 -0.084 | 38.00 +0.062 +0.000 | 13.13 |
| MUU-30X38X5.5 | 30 | 38 | 5.5 | 6.50 +0.30 +0.00 | 30.00 -0.020 -0.053 | 38.00 +0.00 -0.20 | 30.00 +0.000 -0.084 | 38.00 +0.062 +0.000 | 4.24 |
| MUU-30X38X5.8 | 30 | 38 | 5.8 | 6.50 +0.30 +0.00 | 30.00 -0.020 -0.053 | 38.00 +0.00 -0.20 | 30.00 +0.000 -0.084 | 38.00 +0.062 +0.000 | 5.58 |
| MUU-30X38X6 | 30 | 38 | 6 | 7.00 +0.30 +0.00 | 30.00 -0.020 -0.053 | 38.00 +0.00 -0.20 | 30.00 +0.000 -0.084 | 38.00 +0.062 +0.000 | 6.25 |
| MUU-30X38X7 | 30 | 38 | 7 | 8.00 +0.30 +0.00 | 30.00 -0.020 -0.053 | 38.00 +0.00 -0.20 | 30.00 +0.000 -0.084 | 38.00 +0.062 +0.000 | 8.03 |
| MUU-30X40X5 | 30 | 40 | 5 | 5.70 +0.30 +0.00 | 30.00 -0.020 -0.053 | 40.00 +0.00 -0.20 | 30.00 +0.000 -0.084 | 40.00 +0.062 +0.000 | 7.15 |
| MUU-30X40X6 | 30 | 40 | 6 | 7.00 +0.30 +0.00 | 30.00 -0.020 -0.053 | 40.00 +0.00 -0.20 | 30.00 +0.000 -0.084 | 40.00 +0.062 +0.000 | 11.41 |
| MUU-30X40X7 | 30 | 40 | 7 | 8.00 +0.30 +0.00 | 30.00 -0.020 -0.053 | 40.00 +0.00 -0.20 | 30.00 +0.000 -0.084 | 40.00 +0.062 +0.000 | 11.41 |
| MUU-30X40X10 | 30 | 40 | 10 | 11.00 +0.30 +0.00 | 30.00 -0.020 -0.053 | 40.00 +0.00 -0.20 | 30.00 +0.000 -0.084 | 40.00 +0.062 +0.000 | 11.25 |
| MUU-30X42X9 | 30 | 42 | 9 | 10.00 +0.30 +0.00 | 30.00 -0.020 -0.053 | 42.00 +0.00 -0.20 | 30.00 +0.000 -0.084 | 42.00 +0.062 +0.000 | 8.86 |
| MUU-30X42X10 | 30 | 42 | 10 | 11.00 +0.30 +0.00 | 30.00 -0.020 -0.053 | 42.00 +0.00 -0.20 | 30.00 +0.000 -0.084 | 42.00 +0.062 +0.000 | 9.20 |
| MUU-30X45X10 | 30 | 45 | 10 | 11.00 +0.30 +0.00 | 30.00 -0.020 -0.053 | 45.00 +0.10 +0.00 | 30.00 +0.000 -0.084 | 45.00 +0.062 +0.000 | 7.30 |
| MUU-30X50X10 | 30 | 50 | 10 | 11.00 +0.30 +0.00 | 30.00 -0.020 -0.053 | 50.00 +0.00 -0.20 | 30.00 +0.000 -0.084 | 50.00 +0.062 +0.000 | 8.08 |
| MUU-31.5X41.5X6 | 31.5 | 41.5 | 6 | 7.00 +0.30 +0.00 | 31.50 -0.025 -0.064 | 41.50 +0.00 -0.20 | 31.50 +0.00 -0.10 | 41.50 +0.062 +0.000 | 11.56 |
| MUU-32X40X5 | 32 | 40 | 5 | 5.70 +0.30 +0.00 | 32.00 -0.025 -0.064 | 40.00 +0.00 -0.20 | 32.00 +0.00 -0.10 | 40.00 +0.062 +0.000 | 4.22 |
| MUU-32X40X5.5 | 32 | 40 | 5.5 | 6.50 +0.30 +0.00 | 32.00 -0.025 -0.064 | 40.00 +0.00 -0.20 | 32.00 +0.00 -0.10 | 40.00 +0.062 +0.000 | 6.62 |
| MUU-32X40X5.7 | 32 | 40 | 5.7 | 6.70 +0.30 +0.00 | 32.00 -0.025 -0.064 | 40.00 +0.00 -0.20 | 32.00 +0.00 -0.10 | 40.00 +0.062 +0.000 | 2.87 |
| MUU-32X40X6 | 32 | 40 | 6 | 7.00 +0.30 +0.00 | 32.00 -0.025 -0.064 | 40.00 +0.00 -0.20 | 32.00 +0.00 -0.10 | 40.00 +0.062 +0.000 | 10.11 |
| MUU-32X40X8 | 32 | 40 | 8 | 9.00 +0.30 +0.00 | 32.00 -0.025 -0.064 | 40.00 +0.00 -0.20 | 32.00 +0.00 -0.10 | 40.00 +0.062 +0.000 | 6.62 |
| MUU-32X40X10 | 32 | 40 | 10 | 11.00 +0.30 +0.00 | 32.00 -0.025 -0.064 | 40.00 +0.00 -0.20 | 32.00 +0.00 -0.10 | 40.00 +0.062 +0.000 | 4.35 |
| MUU-32X42X5.6 | 32 | 42 | 5.6 | 6.60 +0.30 +0.00 | 32.00 -0.025 -0.064 | 42.00 +0.00 -0.20 | 32.00 +0.00 -0.10 | 42.00 +0.062 +0.000 | 10.98 |
| MUU-32X42X5.8 | 32 | 42 | 5.8 | 6.80 +0.30 +0.00 | 32.00 -0.025 -0.064 | 42.00 +0.00 -0.20 | 32.00 +0.00 -0.10 | 42.00 +0.062 +0.000 | 4.79 |
| MUU-32X42X10 | 32 | 42 | 10 | 11.00 +0.30 +0.00 | 32.00 -0.025 -0.064 | 42.00 +0.00 -0.20 | 32.00 +0.00 -0.10 | 42.00 +0.062 +0.000 | 6.38 |
| MUU-32X45X10 | 32 | 45 | 10 | 11.00 +0.30 +0.00 | 32.00 -0.025 -0.064 | 45.00 +0.00 -0.20 | 32.00 +0.00 -0.10 | 45.00 +0.062 +0.000 | 7.53 |
| MUU-32X46X10 | 32 | 46 | 10 | 11.00 +0.30 +0.00 | 32.00 -0.025 -0.064 | 46.00 +0.10 +0.00 | 32.00 +0.00 -0.10 | 46.00 +0.062 +0.000 | 11.76 |

U-SEALS

FORMERLY LISTED SEALS ARE AVAILABLE ONLINE AT WWW.HERCULESUS.COM
OR BY CONTACTING YOUR REGIONAL HERCULES SALES TEAM.



STYLE MUU SYMMETRICAL U-SEALS

U-SEALS

| Part Number | A Nom. ID | B Nom. OD | C Nom. Ht | D GROOVE WIDTH | E ROD DIAMETER | G HOUSING DIAMETER | H GROOVE DIAMETER | J BORE DIAMETER | List Price |
|---------------|--------------|--------------|--------------|----------------------|------------------------|--------------------------|----------------------|------------------------|---------------|
| MUU-32X47X10 | 32 | 47 | 10 | 11.00 +0.30 +0.00 | 32.00 -0.025 -0.064 | 47.00 +0.00 -0.20 | 32.00 +0.00 -0.10 | 47.00 +0.062 +0.000 | 8.87 |
| MUU-35X42X8 | 35 | 42 | 8 | 9.00 +0.30 +0.00 | 35.00 -0.025 -0.064 | 42.00 +0.00 -0.20 | 35.00 +0.00 -0.10 | 42.00 +0.062 +0.000 | 6.89 |
| MUU-35X43X6 | 35 | 43 | 6 | 7.00 +0.30 +0.00 | 35.00 -0.025 -0.064 | 43.00 +0.00 -0.20 | 35.00 +0.00 -0.10 | 43.00 +0.062 +0.000 | 3.82 |
| MUU-35X45X5 | 35 | 45 | 5 | 5.70 +0.30 +0.00 | 35.00 -0.025 -0.064 | 45.00 +0.00 -0.20 | 35.00 +0.00 -0.10 | 45.00 +0.062 +0.000 | 5.23 |
| MUU-35X45X6 | 35 | 45 | 6 | 7.00 +0.30 +0.00 | 35.00 -0.025 -0.064 | 45.00 +0.00 -0.20 | 35.00 +0.00 -0.10 | 45.00 +0.062 +0.000 | 10.75 |
| MUU-35X45X7 | 35 | 45 | 7 | 8.00 +0.30 +0.00 | 35.00 -0.025 -0.064 | 45.00 +0.00 -0.20 | 35.00 +0.00 -0.10 | 45.00 +0.062 +0.000 | 10.75 |
| MUU-35X45X8 | 35 | 45 | 8 | 9.00 +0.30 +0.00 | 35.00 -0.025 -0.064 | 45.00 +0.00 -0.20 | 35.00 +0.00 -0.10 | 45.00 +0.062 +0.000 | 7.30 |
| MUU-35X45X10 | 35 | 45 | 10 | 11.00 +0.30 +0.00 | 35.00 -0.025 -0.064 | 45.00 +0.00 -0.20 | 35.00 +0.00 -0.10 | 45.00 +0.062 +0.000 | 10.60 |
| MUU-35X48X10 | 35 | 48 | 10 | 11.00 +0.30 +0.00 | 35.00 -0.025 -0.064 | 48.00 +0.00 -0.20 | 35.00 +0.00 -0.10 | 48.00 +0.062 +0.000 | 8.36 |
| MUU-35X50X8 | 35 | 50 | 8 | 9.00 +0.30 +0.00 | 35.00 -0.025 -0.064 | 50.00 +0.00 -0.20 | 35.00 +0.00 -0.10 | 50.00 +0.062 +0.000 | 9.15 |
| MUU-35X50X10 | 35 | 50 | 10 | 11.00 +0.30 +0.00 | 35.00 -0.025 -0.064 | 50.00 +0.10 +0.00 | 35.00 +0.00 -0.10 | 50.00 +0.062 +0.000 | 7.79 |
| MUU-35X55X10 | 35 | 55 | 10 | 11.00 +0.30 +0.00 | 35.00 -0.025 -0.064 | 55.00 +0.00 -0.20 | 35.00 +0.00 -0.10 | 55.00 +0.074 +0.000 | 8.77 |
| MUU-35.5X45X6 | 35.5 | 45 | 6 | 7.00 +0.30 +0.00 | 35.50 -0.025 -0.064 | 45.00 +0.00 -0.20 | 35.50 +0.00 -0.10 | 45.00 +0.062 +0.000 | 10.75 |
| MUU-36X45X10 | 36 | 45 | 10 | 11.00 +0.30 +0.00 | 36.00 -0.025 -0.064 | 45.00 +0.00 -0.20 | 36.00 +0.00 -0.10 | 45.00 +0.062 +0.000 | 9.87 |
| MUU-36X46X7 | 36 | 46 | 7 | 8.00 +0.30 +0.00 | 36.00 -0.025 -0.064 | 46.00 +0.00 -0.20 | 36.00 +0.00 -0.10 | 46.00 +0.062 +0.000 | 6.38 |
| MUU-36X46X7.5 | 36 | 46 | 7.5 | 8.50 +0.30 +0.00 | 36.00 -0.025 -0.064 | 46.00 +0.00 -0.20 | 36.00 +0.00 -0.10 | 46.00 +0.062 +0.000 | 5.12 |
| MUU-36X46X10 | 36 | 46 | 10 | 11.00 +0.30 +0.00 | 36.00 -0.025 -0.064 | 46.00 +0.00 -0.20 | 36.00 +0.00 -0.10 | 46.00 +0.062 +0.000 | 5.12 |
| MUU-38X45X5 | 38 | 45 | 5 | 5.70 +0.30 +0.00 | 38.00 -0.025 -0.064 | 45.00 +0.00 -0.20 | 38.00 +0.00 -0.10 | 45.00 +0.062 +0.000 | 7.79 |
| MUU-38X48X6 | 38 | 48 | 6 | 7.00 +0.30 +0.00 | 38.00 -0.025 -0.064 | 48.00 +0.00 -0.20 | 38.00 +0.00 -0.10 | 48.00 +0.062 +0.000 | 12.50 |
| MUU-38X50X9 | 38 | 50 | 9 | 10.00 +0.30 +0.00 | 38.00 -0.025 -0.064 | 50.00 +0.00 -0.20 | 38.00 +0.00 -0.10 | 50.00 +0.062 +0.000 | 6.91 |
| MUU-38X50X10 | 38 | 50 | 10 | 11.00 +0.30 +0.00 | 38.00 -0.025 -0.064 | 50.00 +0.00 -0.20 | 38.00 +0.00 -0.10 | 50.00 +0.062 +0.000 | 4.30 |
| MUU-38X58X10 | 38 | 58 | 10 | 11.00 +0.30 +0.00 | 38.00 -0.025 -0.064 | 58.00 +0.00 -0.20 | 38.00 +0.00 -0.10 | 58.00 +0.074 +0.000 | 6.16 |
| MUU-40X48X8 | 40 | 48 | 8 | 9.00 +0.30 +0.00 | 40.00 -0.025 -0.064 | 48.00 +0.00 -0.20 | 40.00 +0.00 -0.10 | 48.00 +0.062 +0.000 | 6.10 |
| MUU-40X50X5 | 40 | 50 | 5 | 5.70 +0.30 +0.00 | 40.00 -0.025 -0.064 | 50.00 +0.00 -0.20 | 40.00 +0.00 -0.10 | 50.00 +0.062 +0.000 | 5.43 |
| MUU-40X50X6 | 40 | 50 | 6 | 7.00 +0.30 +0.00 | 40.00 -0.025 -0.064 | 50.00 +0.00 -0.20 | 40.00 +0.00 -0.10 | 50.00 +0.062 +0.000 | 12.50 |
| MUU-40X50X6.5 | 40 | 50 | 6.5 | 7.50 +0.30 +0.00 | 40.00 -0.025 -0.064 | 50.00 +0.00 -0.20 | 40.00 +0.00 -0.10 | 50.00 +0.062 +0.000 | 7.15 |
| MUU-40X50X8 | 40 | 50 | 8 | 9.00 +0.30 +0.00 | 40.00 -0.025 -0.064 | 50.00 +0.00 -0.20 | 40.00 +0.00 -0.10 | 50.00 +0.062 +0.000 | 7.15 |
| MUU-40X50X10 | 40 | 50 | 10 | 11.00 +0.30 +0.00 | 40.00 -0.025 -0.064 | 50.00 +0.00 -0.20 | 40.00 +0.00 -0.10 | 50.00 +0.062 +0.000 | 7.30 |
| MUU-40X52X6 | 40 | 52 | 6 | 7.00 +0.30 +0.00 | 40.00 -0.025 -0.064 | 52.00 +0.00 -0.20 | 40.00 +0.00 -0.10 | 52.00 +0.074 +0.000 | 4.64 |
| MUU-40X52X9 | 40 | 52 | 9 | 10.00 +0.30 +0.00 | 40.00 -0.025 -0.064 | 52.00 +0.00 -0.20 | 40.00 +0.00 -0.10 | 52.00 +0.074 +0.000 | 11.91 |
| MUU-40X55X10 | 40 | 55 | 10 | 11.00 +0.30 +0.00 | 40.00 -0.025 -0.064 | 55.00 +0.12 +0.00 | 40.00 +0.00 -0.10 | 55.00 +0.074 +0.000 | 13.27 |
| MUU-40X56X8 | 40 | 56 | 8 | 9.00 +0.30 +0.00 | 40.00 -0.025 -0.064 | 56.00 +0.00 -0.20 | 40.00 +0.00 -0.10 | 56.00 +0.074 +0.000 | 4.30 |
| MUU-40X56X10 | 40 | 56 | 10 | 11.00 +0.30 +0.00 | 40.00 -0.025 -0.064 | 56.00 +0.12 +0.00 | 40.00 +0.00 -0.10 | 56.00 +0.074 +0.000 | 3.81 |

NORTH AMERICA
PHONE 1-800-777-5617
FAX 1-800-759-6391

SALES OFFICE HOURS
8 A.M. TO 7:30 P.M. EASTERN TIME
www.HerculesUS.com

WORLDWIDE
PHONE 1-727-796-1300
FAX 1-727-797-8849



STYLE MUU SYMMETRICAL U-SEALS

| Part Number | A Nom. ID | B Nom. OD | C Nom. Ht | D GROOVE WIDTH | E ROD DIAMETER | G HOUSING DIAMETER | H GROOVE DIAMETER | J BORE DIAMETER | List Price |
|---------------|--------------|--------------|--------------|----------------------|------------------------|--------------------------|----------------------|------------------------|---------------|
| MUU-40X60X10 | 40 | 60 | 10 | 11.00 +0.30 +0.00 | 40.00 -0.025 -0.064 | 60.00 +0.00 -0.20 | 40.00 +0.00 -0.10 | 60.00 +0.074 +0.000 | 6.38 |
| MUU-40X60X12 | 40 | 60 | 12 | 13.00 +0.30 +0.00 | 40.00 -0.025 -0.064 | 60.00 +0.12 +0.00 | 40.00 +0.00 -0.10 | 60.00 +0.074 +0.000 | 13.79 |
| MUU-40X60X13 | 40 | 60 | 13 | 14.00 +0.30 +0.00 | 40.00 -0.025 -0.064 | 60.00 +0.00 -0.20 | 40.00 +0.00 -0.10 | 60.00 +0.074 +0.000 | 6.85 |
| MUU-40X60X18 | 40 | 60 | 18 | 19.00 +0.30 +0.00 | 40.00 -0.025 -0.064 | 60.00 +0.00 -0.20 | 40.00 +0.00 -0.10 | 60.00 +0.074 +0.000 | 9.28 |
| MUU-40X65X12 | 40 | 65 | 12 | 13.00 +0.30 +0.00 | 40.00 -0.025 -0.064 | 65.00 +0.00 -0.20 | 40.00 +0.00 -0.10 | 65.00 +0.074 +0.000 | 9.92 |
| MUU-42X50X8 | 42 | 50 | 8 | 9.00 +0.30 +0.00 | 42.00 -0.025 -0.064 | 50.00 +0.00 -0.20 | 42.00 +0.00 -0.10 | 50.00 +0.062 +0.000 | 7.15 |
| MUU-42X52X6 | 42 | 52 | 6 | 7.00 +0.30 +0.00 | 42.00 -0.025 -0.064 | 52.00 +0.00 -0.20 | 42.00 +0.00 -0.10 | 52.00 +0.074 +0.000 | 7.56 |
| MUU-42X52X9 | 42 | 52 | 9 | 10.00 +0.30 +0.00 | 42.00 -0.025 -0.064 | 52.00 +0.00 -0.20 | 42.00 +0.00 -0.10 | 52.00 +0.074 +0.000 | 7.56 |
| MUU-43X63X10 | 43 | 63 | 10 | 11.00 +0.30 +0.00 | 43.00 -0.025 -0.064 | 63.00 +0.00 -0.20 | 43.00 +0.00 -0.10 | 63.00 +0.074 +0.000 | 5.26 |
| MUU-45X55X6 | 45 | 55 | 6 | 7.00 +0.30 +0.00 | 45.00 -0.025 -0.064 | 55.00 +0.00 -0.20 | 45.00 +0.00 -0.10 | 55.00 +0.074 +0.000 | 16.08 |
| MUU-45X55X6.5 | 45 | 55 | 6.5 | 7.50 +0.30 +0.00 | 45.00 -0.025 -0.064 | 55.00 +0.00 -0.20 | 45.00 +0.00 -0.10 | 55.00 +0.074 +0.000 | 8.08 |
| MUU-45X55X10 | 45 | 55 | 10 | 11.00 +0.30 +0.00 | 45.00 -0.025 -0.064 | 55.00 +0.00 -0.20 | 45.00 +0.00 -0.10 | 55.00 +0.074 +0.000 | 8.08 |
| MUU-45X56X7 | 45 | 56 | 7 | 8.00 +0.30 +0.00 | 45.00 -0.025 -0.064 | 56.00 +0.00 -0.20 | 45.00 +0.00 -0.10 | 56.00 +0.074 +0.000 | 16.97 |
| MUU-45X58X10 | 45 | 58 | 10 | 11.00 +0.30 +0.00 | 45.00 -0.025 -0.064 | 58.00 +0.00 -0.20 | 45.00 +0.00 -0.10 | 58.00 +0.074 +0.000 | 7.25 |
| MUU-45X58X12 | 45 | 58 | 12 | 13.00 +0.30 +0.00 | 45.00 -0.025 -0.064 | 58.00 +0.00 -0.20 | 45.00 +0.00 -0.10 | 58.00 +0.074 +0.000 | 13.30 |
| MUU-45X60X7.5 | 45 | 60 | 7.5 | 8.50 +0.30 +0.00 | 45.00 -0.025 -0.064 | 60.00 +0.00 -0.20 | 45.00 +0.00 -0.10 | 60.00 +0.074 +0.000 | 5.69 |
| MUU-45X60X10 | 45 | 60 | 10 | 11.00 +0.30 +0.00 | 45.00 -0.025 -0.064 | 60.00 +0.12 +0.00 | 45.00 +0.00 -0.10 | 60.00 +0.074 +0.000 | 8.77 |
| MUU-45X60X11 | 45 | 60 | 11 | 12.00 +0.30 +0.00 | 45.00 -0.025 -0.064 | 60.00 +0.00 -0.20 | 45.00 +0.00 -0.10 | 60.00 +0.074 +0.000 | 30.08 |
| MUU-45X63X10 | 45 | 63 | 10 | 11.00 +0.30 +0.00 | 45.00 -0.025 -0.064 | 63.00 +0.00 -0.20 | 45.00 +0.00 -0.10 | 63.00 +0.074 +0.000 | 7.53 |
| MUU-45X65X10 | 45 | 65 | 10 | 11.00 +0.30 +0.00 | 45.00 -0.025 -0.064 | 65.00 +0.00 -0.20 | 45.00 +0.00 -0.10 | 65.00 +0.074 +0.000 | 10.17 |
| MUU-45X65X12 | 45 | 65 | 12 | 13.00 +0.30 +0.00 | 45.00 -0.025 -0.064 | 65.00 +0.00 -0.20 | 45.00 +0.00 -0.10 | 65.00 +0.074 +0.000 | 10.17 |
| MUU-45X70X12 | 45 | 70 | 12 | 13.00 +0.30 +0.00 | 45.00 -0.025 -0.064 | 70.00 +0.00 -0.20 | 45.00 +0.00 -0.10 | 70.00 +0.074 +0.000 | 5.15 |
| MUU-48X58X10 | 48 | 58 | 10 | 11.00 +0.30 +0.00 | 48.00 -0.025 -0.064 | 58.00 +0.00 -0.20 | 48.00 +0.00 -0.10 | 58.00 +0.074 +0.000 | 8.48 |
| MUU-48X63X10 | 48 | 63 | 10 | 11.00 +0.30 +0.00 | 48.00 -0.025 -0.064 | 63.00 +0.12 +0.00 | 48.00 +0.00 -0.10 | 63.00 +0.074 +0.000 | 20.92 |
| MUU-50X60X5 | 50 | 60 | 5 | 5.70 +0.30 +0.00 | 50.00 -0.025 -0.064 | 60.00 +0.00 -0.20 | 50.00 +0.00 -0.10 | 60.00 +0.074 +0.000 | 9.09 |
| MUU-50X60X6 | 50 | 60 | 6 | 7.00 +0.30 +0.00 | 50.00 -0.025 -0.064 | 60.00 +0.00 -0.20 | 50.00 +0.00 -0.10 | 60.00 +0.074 +0.000 | 11.88 |
| MUU-50X60X10 | 50 | 60 | 10 | 11.00 +0.30 +0.00 | 50.00 -0.025 -0.064 | 60.00 +0.00 -0.20 | 50.00 +0.00 -0.10 | 60.00 +0.074 +0.000 | 7.95 |
| MUU-50X62X9 | 50 | 62 | 9 | 10.00 +0.30 +0.00 | 50.00 -0.025 -0.064 | 62.00 +0.00 -0.20 | 50.00 +0.00 -0.10 | 62.00 +0.074 +0.000 | 7.95 |
| MUU-50X63X6 | 50 | 63 | 6 | 7.00 +0.30 +0.00 | 50.00 -0.025 -0.064 | 63.00 +0.00 -0.20 | 50.00 +0.00 -0.10 | 63.00 +0.074 +0.000 | 7.53 |
| MUU-50X63X10 | 50 | 63 | 10 | 11.00 +0.30 +0.00 | 50.00 -0.025 -0.064 | 63.00 +0.00 -0.20 | 50.00 +0.00 -0.10 | 63.00 +0.074 +0.000 | 7.94 |
| MUU-50X65X7.5 | 50 | 65 | 7.5 | 8.50 +0.30 +0.00 | 50.00 -0.025 -0.064 | 65.00 +0.00 -0.20 | 50.00 +0.00 -0.10 | 65.00 +0.074 +0.000 | 8.48 |
| MUU-50X65X10 | 50 | 65 | 10 | 11.00 +0.30 +0.00 | 50.00 -0.025 -0.064 | 65.00 +0.12 +0.00 | 50.00 +0.00 -0.10 | 65.00 +0.074 +0.000 | 18.93 |
| MUU-50X65X11 | 50 | 65 | 11 | 12.00 +0.30 +0.00 | 50.00 -0.025 -0.064 | 65.00 +0.00 -0.20 | 50.00 +0.00 -0.10 | 65.00 +0.074 +0.000 | 32.81 |

U-SEALS

FORMERLY LISTED SEALS ARE AVAILABLE ONLINE AT WWW.HERCULESUS.COM
OR BY CONTACTING YOUR REGIONAL HERCULES SALES TEAM.



STYLE MUU SYMMETRICAL U-SEALS

U-SEALS

| Part Number | A Nom. ID | B Nom. OD | C Nom. Ht | D GROOVE WIDTH | E ROD DIAMETER | G HOUSING DIAMETER | H GROOVE DIAMETER | J BORE DIAMETER | List Price |
|---------------|--------------|--------------|--------------|---|---|---|---|---|---------------|
| MUU-50X70X10 | 50 | 70 | 10 | 11.00 ^{+0.30} / _{+0.00} | 50.00 ^{-0.025} / _{-0.064} | 70.00 ^{+0.00} / _{-0.20} | 50.00 ^{+0.00} / _{-0.10} | 70.00 ^{+0.074} / _{+0.000} | 10.73 |
| MUU-50X70X12 | 50 | 70 | 12 | 13.00 ^{+0.30} / _{+0.00} | 50.00 ^{-0.025} / _{-0.064} | 70.00 ^{+0.12} / _{+0.00} | 50.00 ^{+0.00} / _{-0.10} | 70.00 ^{+0.074} / _{+0.000} | 10.73 |
| MUU-50X75X12 | 50 | 75 | 12 | 13.00 ^{+0.30} / _{+0.00} | 50.00 ^{-0.025} / _{-0.064} | 75.00 ^{+0.00} / _{-0.20} | 50.00 ^{+0.00} / _{-0.10} | 75.00 ^{+0.074} / _{+0.000} | 14.84 |
| MUU-52X62X12 | 52 | 62 | 12 | 13.00 ^{+0.30} / _{+0.00} | 52.00 ^{-0.030} / _{-0.076} | 62.00 ^{+0.00} / _{-0.20} | 52.00 ^{+0.00} / _{-0.12} | 62.00 ^{+0.074} / _{+0.000} | 8.60 |
| MUU-53X63X5 | 53 | 63 | 5 | 5.70 ^{+0.30} / _{+0.00} | 53.00 ^{-0.030} / _{-0.076} | 63.00 ^{+0.00} / _{-0.20} | 53.00 ^{+0.00} / _{-0.12} | 63.00 ^{+0.074} / _{+0.000} | 13.40 |
| MUU-53X63X6 | 53 | 63 | 6 | 7.00 ^{+0.30} / _{+0.00} | 53.00 ^{-0.030} / _{-0.076} | 63.00 ^{+0.00} / _{-0.20} | 53.00 ^{+0.00} / _{-0.12} | 63.00 ^{+0.074} / _{+0.000} | 18.20 |
| MUU-53X63X6.5 | 53 | 63 | 6.5 | 7.50 ^{+0.30} / _{+0.00} | 53.00 ^{-0.030} / _{-0.076} | 63.00 ^{+0.00} / _{-0.20} | 53.00 ^{+0.00} / _{-0.12} | 63.00 ^{+0.074} / _{+0.000} | 9.04 |
| MUU-55X63X5 | 55 | 63 | 5 | 5.70 ^{+0.30} / _{+0.00} | 55.00 ^{-0.030} / _{-0.076} | 63.00 ^{+0.00} / _{-0.20} | 55.00 ^{+0.00} / _{-0.12} | 63.00 ^{+0.074} / _{+0.000} | 14.22 |
| MUU-55X65X5 | 55 | 65 | 5 | 5.70 ^{+0.30} / _{+0.00} | 55.00 ^{-0.030} / _{-0.076} | 65.00 ^{+0.00} / _{-0.20} | 55.00 ^{+0.00} / _{-0.12} | 65.00 ^{+0.074} / _{+0.000} | 4.01 |
| MUU-55X65X6 | 55 | 65 | 6 | 7.00 ^{+0.30} / _{+0.00} | 55.00 ^{-0.030} / _{-0.076} | 65.00 ^{+0.00} / _{-0.20} | 55.00 ^{+0.00} / _{-0.12} | 65.00 ^{+0.074} / _{+0.000} | 18.20 |
| MUU-55X65X10 | 55 | 65 | 10 | 11.00 ^{+0.30} / _{+0.00} | 55.00 ^{-0.030} / _{-0.076} | 65.00 ^{+0.00} / _{-0.20} | 55.00 ^{+0.00} / _{-0.12} | 65.00 ^{+0.074} / _{+0.000} | 7.95 |
| MUU-55X65X12 | 55 | 65 | 12 | 13.00 ^{+0.30} / _{+0.00} | 55.00 ^{-0.030} / _{-0.076} | 65.00 ^{+0.00} / _{-0.20} | 55.00 ^{+0.00} / _{-0.12} | 65.00 ^{+0.074} / _{+0.000} | 7.95 |
| MUU-55X70X10 | 55 | 70 | 10 | 11.00 ^{+0.30} / _{+0.00} | 55.00 ^{-0.030} / _{-0.076} | 70.00 ^{+0.00} / _{-0.20} | 55.00 ^{+0.00} / _{-0.12} | 70.00 ^{+0.074} / _{+0.000} | 5.25 |
| MUU-55X70X12 | 55 | 70 | 12 | 13.00 ^{+0.30} / _{+0.00} | 55.00 ^{-0.030} / _{-0.076} | 70.00 ^{+0.00} / _{-0.20} | 55.00 ^{+0.00} / _{-0.12} | 70.00 ^{+0.074} / _{+0.000} | 10.73 |
| MUU-55X75X10 | 55 | 75 | 10 | 11.00 ^{+0.30} / _{+0.00} | 55.00 ^{-0.030} / _{-0.076} | 75.00 ^{+0.00} / _{-0.20} | 55.00 ^{+0.00} / _{-0.12} | 75.00 ^{+0.074} / _{+0.000} | 10.25 |
| MUU-55X75X12 | 55 | 75 | 12 | 13.00 ^{+0.30} / _{+0.00} | 55.00 ^{-0.030} / _{-0.076} | 75.00 ^{+0.12} / _{+0.00} | 55.00 ^{+0.00} / _{-0.12} | 75.00 ^{+0.074} / _{+0.000} | 10.45 |
| MUU-56X66X6 | 56 | 66 | 6 | 7.00 ^{+0.30} / _{+0.00} | 56.00 ^{-0.030} / _{-0.076} | 66.00 ^{+0.00} / _{-0.20} | 56.00 ^{+0.00} / _{-0.12} | 66.00 ^{+0.074} / _{+0.000} | 18.66 |
| MUU-56X71X11 | 56 | 71 | 11 | 12.00 ^{+0.30} / _{+0.00} | 56.00 ^{-0.030} / _{-0.076} | 71.00 ^{+0.00} / _{-0.20} | 56.00 ^{+0.00} / _{-0.12} | 71.00 ^{+0.074} / _{+0.000} | 10.41 |
| MUU-58X68X6 | 58 | 68 | 6 | 7.00 ^{+0.30} / _{+0.00} | 58.00 ^{-0.030} / _{-0.076} | 68.00 ^{+0.00} / _{-0.20} | 58.00 ^{+0.00} / _{-0.12} | 68.00 ^{+0.074} / _{+0.000} | 12.64 |
| MUU-60X68X8 | 60 | 68 | 8 | 9.00 ^{+0.30} / _{+0.00} | 60.00 ^{-0.030} / _{-0.076} | 68.00 ^{+0.00} / _{-0.20} | 60.00 ^{+0.00} / _{-0.12} | 68.00 ^{+0.074} / _{+0.000} | 15.10 |
| MUU-60X68X10 | 60 | 68 | 10 | 11.00 ^{+0.30} / _{+0.00} | 60.00 ^{-0.030} / _{-0.076} | 68.00 ^{+0.00} / _{-0.20} | 60.00 ^{+0.00} / _{-0.12} | 68.00 ^{+0.074} / _{+0.000} | 9.53 |
| MUU-60X70X5 | 60 | 70 | 5 | 5.70 ^{+0.30} / _{+0.00} | 60.00 ^{-0.030} / _{-0.076} | 70.00 ^{+0.00} / _{-0.20} | 60.00 ^{+0.00} / _{-0.12} | 70.00 ^{+0.074} / _{+0.000} | 5.98 |
| MUU-60X70X6 | 60 | 70 | 6 | 7.00 ^{+0.30} / _{+0.00} | 60.00 ^{-0.030} / _{-0.076} | 70.00 ^{+0.00} / _{-0.20} | 60.00 ^{+0.00} / _{-0.12} | 70.00 ^{+0.074} / _{+0.000} | 12.64 |
| MUU-60X70X7.5 | 60 | 70 | 7.5 | 8.50 ^{+0.30} / _{+0.00} | 60.00 ^{-0.030} / _{-0.076} | 70.00 ^{+0.00} / _{-0.20} | 60.00 ^{+0.00} / _{-0.12} | 70.00 ^{+0.074} / _{+0.000} | 7.90 |
| MUU-60X70X8 | 60 | 70 | 8 | 9.00 ^{+0.30} / _{+0.00} | 60.00 ^{-0.030} / _{-0.076} | 70.00 ^{+0.00} / _{-0.20} | 60.00 ^{+0.00} / _{-0.12} | 70.00 ^{+0.074} / _{+0.000} | 10.45 |
| MUU-60X70X10 | 60 | 70 | 10 | 11.00 ^{+0.30} / _{+0.00} | 60.00 ^{-0.030} / _{-0.076} | 70.00 ^{+0.00} / _{-0.20} | 60.00 ^{+0.00} / _{-0.12} | 70.00 ^{+0.074} / _{+0.000} | 10.45 |
| MUU-60X70X12 | 60 | 70 | 12 | 13.00 ^{+0.30} / _{+0.00} | 60.00 ^{-0.030} / _{-0.076} | 70.00 ^{+0.00} / _{-0.20} | 60.00 ^{+0.01} / _{+0.00} | 70.00 ^{+0.074} / _{+0.000} | 10.45 |
| MUU-60X75X10 | 60 | 75 | 10 | 11.00 ^{+0.30} / _{+0.00} | 60.00 ^{-0.030} / _{-0.076} | 75.00 ^{+0.00} / _{-0.20} | 60.00 ^{+0.00} / _{-0.12} | 75.00 ^{+0.074} / _{+0.000} | 9.28 |
| MUU-60X75X12 | 60 | 75 | 12 | 13.00 ^{+0.30} / _{+0.00} | 60.00 ^{-0.030} / _{-0.076} | 75.00 ^{+0.00} / _{-0.20} | 60.00 ^{+0.00} / _{-0.12} | 75.00 ^{+0.074} / _{+0.000} | 9.28 |
| MUU-60X80X10 | 60 | 80 | 10 | 11.00 ^{+0.30} / _{+0.00} | 60.00 ^{-0.030} / _{-0.076} | 80.00 ^{+0.00} / _{-0.20} | 60.00 ^{+0.00} / _{-0.12} | 80.00 ^{+0.074} / _{+0.000} | 10.60 |
| MUU-60X80X12 | 60 | 80 | 12 | 13.00 ^{+0.30} / _{+0.00} | 60.00 ^{-0.030} / _{-0.076} | 80.00 ^{+0.12} / _{+0.00} | 60.00 ^{+0.00} / _{-0.12} | 80.00 ^{+0.074} / _{+0.000} | 10.60 |
| MUU-60X80X18 | 60 | 80 | 18 | 19.00 ^{+0.30} / _{+0.00} | 60.00 ^{-0.030} / _{-0.076} | 80.00 ^{+0.00} / _{-0.20} | 60.00 ^{+0.00} / _{-0.12} | 80.00 ^{+0.074} / _{+0.000} | 11.91 |
| MUU-63X73X6 | 63 | 73 | 6 | 7.00 ^{+0.30} / _{+0.00} | 63.00 ^{-0.030} / _{-0.076} | 73.00 ^{+0.00} / _{-0.20} | 63.00 ^{+0.00} / _{-0.12} | 73.00 ^{+0.074} / _{+0.000} | 12.64 |

NORTH AMERICA
PHONE 1-800-777-5617
FAX 1-800-759-6391

SALES OFFICE HOURS
8 A.M. TO 7:30 P.M. EASTERN TIME
www.HerculesUS.com

WORLDWIDE
PHONE 1-727-796-1300
FAX 1-727-797-8849



STYLE MUU SYMMETRICAL U-SEALS

| Part Number | A Nom. ID | B Nom. OD | C Nom. Ht | D GROOVE WIDTH | E ROD DIAMETER | G HOUSING DIAMETER | H GROOVE DIAMETER | J BORE DIAMETER | List Price |
|----------------|--------------|--------------|--------------|----------------------|------------------------|--------------------------|----------------------|------------------------|---------------|
| MUU-63X73X7.5 | 63 | 73 | 7.5 | 8.50 +0.30 +0.00 | 63.00 -0.030 -0.076 | 73.00 +0.00 -0.20 | 63.00 +0.00 -0.12 | 73.00 +0.074 +0.000 | 8.84 |
| MUU-63X75X10 | 63 | 75 | 10 | 11.00 +0.30 +0.00 | 63.00 -0.030 -0.076 | 75.00 +0.00 -0.20 | 63.00 +0.00 -0.12 | 75.00 +0.074 +0.000 | 9.68 |
| MUU-63X78X10 | 63 | 78 | 10 | 11.00 +0.30 +0.00 | 63.00 -0.030 -0.076 | 78.00 +0.00 -0.20 | 63.00 +0.00 -0.12 | 78.00 +0.074 +0.000 | 10.86 |
| MUU-63X78X11 | 63 | 78 | 11 | 12.00 +0.30 +0.00 | 63.00 -0.030 -0.076 | 78.00 +0.00 -0.20 | 63.00 +0.00 -0.12 | 78.00 +0.074 +0.000 | 19.69 |
| MUU-63X80X9 | 63 | 80 | 9 | 10.00 +0.30 +0.00 | 63.00 -0.030 -0.076 | 80.00 +0.00 -0.20 | 63.00 +0.00 -0.12 | 80.00 +0.074 +0.000 | 7.26 |
| MUU-63X80X10 | 63 | 80 | 10 | 11.00 +0.30 +0.00 | 63.00 -0.030 -0.076 | 80.00 +0.00 -0.20 | 63.00 +0.00 -0.12 | 80.00 +0.074 +0.000 | 10.93 |
| MUU-65X75X6 | 65 | 75 | 6 | 7.00 +0.30 +0.00 | 65.00 -0.030 -0.076 | 75.00 +0.00 -0.20 | 65.00 +0.00 -0.12 | 75.00 +0.074 +0.000 | 20.12 |
| MUU-65X80X7.5 | 65 | 80 | 7.5 | 8.50 +0.30 +0.00 | 65.00 -0.030 -0.076 | 80.00 +0.00 -0.20 | 65.00 +0.00 -0.12 | 80.00 +0.074 +0.000 | 9.96 |
| MUU-65X80X11 | 65 | 80 | 11 | 12.00 +0.30 +0.00 | 65.00 -0.030 -0.076 | 80.00 +0.00 -0.20 | 65.00 +0.00 -0.12 | 80.00 +0.074 +0.000 | 10.60 |
| MUU-65X80X12 | 65 | 80 | 12 | 13.00 +0.30 +0.00 | 65.00 -0.030 -0.076 | 80.00 +0.00 -0.20 | 65.00 +0.00 -0.12 | 80.00 +0.074 +0.000 | 10.60 |
| MUU-65X85X10 | 65 | 85 | 10 | 11.00 +0.30 +0.00 | 65.00 -0.030 -0.076 | 85.00 +0.00 -0.20 | 65.00 +0.00 -0.12 | 85.00 +0.087 +0.000 | 10.60 |
| MUU-65X85X12 | 65 | 85 | 12 | 13.00 +0.30 +0.00 | 65.00 -0.030 -0.076 | 85.00 +0.14 +0.00 | 65.00 +0.00 -0.12 | 85.00 +0.087 +0.000 | 10.60 |
| MUU-65X90X18.5 | 65 | 90 | 18.5 | 19.50 +0.30 +0.00 | 65.00 -0.030 -0.076 | 90.00 +0.00 -0.20 | 65.00 +0.00 -0.12 | 90.00 +0.087 +0.000 | 29.55 |
| MUU-66X80X10 | 66 | 80 | 10 | 11.00 +0.30 +0.00 | 66.00 -0.030 -0.076 | 80.00 +0.00 -0.20 | 66.00 +0.00 -0.12 | 80.00 +0.074 +0.000 | 10.08 |
| MUU-66X80X13 | 66 | 80 | 13 | 14.00 +0.30 +0.00 | 66.00 -0.030 -0.076 | 80.00 +0.00 -0.20 | 66.00 +0.00 -0.12 | 80.00 +0.074 +0.000 | 10.08 |
| MUU-67X77X6 | 67 | 77 | 6 | 7.00 +0.30 +0.00 | 67.00 -0.030 -0.076 | 77.00 +0.00 -0.20 | 67.00 +0.00 -0.12 | 77.00 +0.074 +0.000 | 20.12 |
| MUU-70X80X5 | 70 | 80 | 5 | 5.70 +0.30 +0.00 | 70.00 -0.030 -0.076 | 80.00 +0.00 -0.20 | 70.00 +0.00 -0.12 | 80.00 +0.074 +0.000 | 9.68 |
| MUU-70X80X6 | 70 | 80 | 6 | 7.00 +0.30 +0.00 | 70.00 -0.030 -0.076 | 80.00 +0.00 -0.20 | 70.00 +0.00 -0.12 | 80.00 +0.074 +0.000 | 21.05 |
| MUU-70X80X8 | 70 | 80 | 8 | 9.00 +0.30 +0.00 | 70.00 -0.030 -0.076 | 80.00 +0.00 -0.20 | 70.00 +0.00 -0.12 | 80.00 +0.074 +0.000 | 9.28 |
| MUU-70X80X10 | 70 | 80 | 10 | 11.00 +0.30 +0.00 | 70.00 -0.030 -0.076 | 80.00 +0.00 -0.20 | 70.00 +0.00 -0.12 | 80.00 +0.074 +0.000 | 9.68 |
| MUU-70X80X12 | 70 | 80 | 12 | 13.00 +0.30 +0.00 | 70.00 -0.030 -0.076 | 80.00 +0.00 -0.20 | 70.00 +0.00 -0.12 | 80.00 +0.074 +0.000 | 9.68 |
| MUU-70X82X9 | 70 | 82 | 9 | 10.00 +0.30 +0.00 | 70.00 -0.030 -0.076 | 82.00 +0.00 -0.20 | 70.00 +0.00 -0.12 | 82.00 +0.087 +0.000 | 12.53 |
| MUU-70X85X8.4 | 70 | 85 | 8.4 | 9.50 +0.30 +0.00 | 70.00 -0.030 -0.076 | 85.00 +0.00 -0.20 | 70.00 +0.00 -0.12 | 85.00 +0.087 +0.000 | 23.33 |
| MUU-70X85X12 | 70 | 85 | 12 | 13.00 +0.30 +0.00 | 70.00 -0.030 -0.076 | 85.00 +0.00 -0.20 | 70.00 +0.00 -0.12 | 85.00 +0.087 +0.000 | 10.60 |
| MUU-70X90X10 | 70 | 90 | 10 | 11.00 +0.30 +0.00 | 70.00 -0.030 -0.076 | 90.00 +0.00 -0.20 | 70.00 +0.00 -0.12 | 90.00 +0.087 +0.000 | 16.43 |
| MUU-70X90X12 | 70 | 90 | 12 | 13.00 +0.30 +0.00 | 70.00 -0.030 -0.076 | 90.00 +0.14 +0.00 | 70.00 +0.00 -0.12 | 90.00 +0.087 +0.000 | 10.60 |
| MUU-70X90X18 | 70 | 90 | 18 | 19.00 +0.30 +0.00 | 70.00 -0.030 -0.076 | 90.00 +0.00 -0.20 | 70.00 +0.00 -0.12 | 90.00 +0.087 +0.000 | 10.67 |
| MUU-70X95X10 | 70 | 95 | 10 | 11.00 +0.30 +0.00 | 70.00 -0.030 -0.076 | 95.00 +0.00 -0.20 | 70.00 +0.00 -0.12 | 95.00 +0.087 +0.000 | 8.10 |
| MUU-70X95X12 | 70 | 95 | 12 | 13.00 +0.30 +0.00 | 70.00 -0.030 -0.076 | 95.00 +0.00 -0.20 | 70.00 +0.00 -0.12 | 95.00 +0.087 +0.000 | 5.43 |
| MUU-71X80X6 | 71 | 80 | 6 | 7.00 +0.30 +0.00 | 71.00 -0.030 -0.076 | 80.00 +0.00 -0.20 | 71.00 +0.00 -0.12 | 80.00 +0.074 +0.000 | 21.05 |
| MUU-75X85X6 | 75 | 85 | 6 | 7.00 +0.30 +0.00 | 75.00 -0.030 -0.076 | 85.00 +0.00 -0.20 | 75.00 +0.00 -0.12 | 85.00 +0.087 +0.000 | 23.17 |
| MUU-75X85X10 | 75 | 85 | 10 | 11.00 +0.30 +0.00 | 75.00 -0.030 -0.076 | 85.00 +0.00 -0.20 | 75.00 +0.00 -0.12 | 85.00 +0.087 +0.000 | 8.82 |
| MUU-75X85X12 | 75 | 85 | 12 | 13.00 +0.30 +0.00 | 75.00 -0.030 -0.076 | 85.00 +0.00 -0.20 | 75.00 +0.00 -0.12 | 85.00 +0.087 +0.000 | 11.14 |

U-SEALS



STYLE MUU SYMMETRICAL U-SEALS

U-SEALS

| Part Number | A Nom. ID | B Nom. OD | C Nom. Ht | D GROOVE WIDTH | E ROD DIAMETER | G HOUSING DIAMETER | H GROOVE DIAMETER | J BORE DIAMETER | List Price |
|-----------------|--------------|--------------|--------------|---|---|--|---|--|---------------|
| MUU-75X90X7.5 | 75 | 90 | 7.5 | 8.50 ^{+0.30} / _{+0.00} | 75.00 ^{-0.030} / _{-0.076} | 90.00 ^{+0.00} / _{-0.20} | 75.00 ^{+0.00} / _{-0.12} | 90.00 ^{+0.087} / _{+0.000} | 11.64 |
| MUU-75X90X10 | 75 | 90 | 10 | 11.00 ^{+0.30} / _{+0.00} | 75.00 ^{-0.030} / _{-0.076} | 90.00 ^{+0.00} / _{-0.20} | 75.00 ^{+0.00} / _{-0.12} | 90.00 ^{+0.087} / _{+0.000} | 4.77 |
| MUU-75X90X12 | 75 | 90 | 12 | 13.00 ^{+0.30} / _{+0.00} | 75.00 ^{-0.030} / _{-0.076} | 90.00 ^{+0.00} / _{-0.20} | 75.00 ^{+0.00} / _{-0.12} | 90.00 ^{+0.087} / _{+0.000} | 11.42 |
| MUU-75X95X10 | 75 | 95 | 10 | 11.00 ^{+0.30} / _{+0.00} | 75.00 ^{-0.030} / _{-0.076} | 95.00 ^{+0.00} / _{-0.20} | 75.00 ^{+0.00} / _{-0.12} | 95.00 ^{+0.087} / _{+0.000} | 10.76 |
| MUU-75X95X12 | 75 | 95 | 12 | 13.00 ^{+0.30} / _{+0.00} | 75.00 ^{-0.030} / _{-0.076} | 95.00 ^{+0.14} / _{+0.00} | 75.00 ^{+0.00} / _{-0.12} | 95.00 ^{+0.087} / _{+0.000} | 11.01 |
| MUU-80X90X5 | 80 | 90 | 5 | 5.70 ^{+0.30} / _{+0.00} | 80.00 ^{-0.030} / _{-0.076} | 90.00 ^{+0.00} / _{-0.20} | 80.00 ^{+0.00} / _{-0.12} | 90.00 ^{+0.087} / _{+0.000} | 7.44 |
| MUU-80X90X6 | 80 | 90 | 6 | 7.00 ^{+0.30} / _{+0.00} | 80.00 ^{-0.030} / _{-0.076} | 90.00 ^{+0.00} / _{-0.20} | 80.00 ^{+0.00} / _{-0.12} | 90.00 ^{+0.087} / _{+0.000} | 27.09 |
| MUU-80X90X8 | 80 | 90 | 8 | 9.00 ^{+0.30} / _{+0.00} | 80.00 ^{-0.030} / _{-0.076} | 90.00 ^{+0.00} / _{-0.20} | 80.00 ^{+0.00} / _{-0.12} | 90.00 ^{+0.087} / _{+0.000} | 7.53 |
| MUU-80X90X10 | 80 | 90 | 10 | 11.00 ^{+0.30} / _{+0.00} | 80.00 ^{-0.030} / _{-0.076} | 90.00 ^{+0.00} / _{-0.20} | 80.00 ^{+0.00} / _{-0.12} | 90.00 ^{+0.087} / _{+0.000} | 10.60 |
| MUU-80X90X12 | 80 | 90 | 12 | 13.00 ^{+0.30} / _{+0.00} | 80.00 ^{-0.030} / _{-0.076} | 90.00 ^{+0.00} / _{-0.20} | 80.00 ^{+0.00} / _{-0.12} | 90.00 ^{+0.087} / _{+0.000} | 29.10 |
| MUU-80X90X13.5 | 80 | 90 | 13.5 | 14.50 ^{+0.30} / _{+0.00} | 80.00 ^{-0.030} / _{-0.076} | 90.00 ^{+0.00} / _{-0.20} | 80.00 ^{+0.00} / _{-0.12} | 90.00 ^{+0.087} / _{+0.000} | 30.48 |
| MUU-80X95X7.5 | 80 | 95 | 7.5 | 8.50 ^{+0.30} / _{+0.00} | 80.00 ^{-0.030} / _{-0.076} | 95.00 ^{+0.00} / _{-0.20} | 80.00 ^{+0.00} / _{-0.12} | 95.00 ^{+0.087} / _{+0.000} | 29.29 |
| MUU-80X95X8.4 | 80 | 95 | 8.4 | 9.50 ^{+0.30} / _{+0.00} | 80.00 ^{-0.030} / _{-0.076} | 95.00 ^{+0.00} / _{-0.20} | 80.00 ^{+0.00} / _{-0.12} | 95.00 ^{+0.087} / _{+0.000} | 24.52 |
| MUU-80X95X9 | 80 | 95 | 9 | 10.00 ^{+0.30} / _{+0.00} | 80.00 ^{-0.030} / _{-0.076} | 95.00 ^{+0.00} / _{-0.20} | 80.00 ^{+0.00} / _{-0.12} | 95.00 ^{+0.087} / _{+0.000} | 6.01 |
| MUU-80X95X10 | 80 | 95 | 10 | 11.00 ^{+0.30} / _{+0.00} | 80.00 ^{-0.030} / _{-0.076} | 95.00 ^{+0.00} / _{-0.20} | 80.00 ^{+0.00} / _{-0.12} | 95.00 ^{+0.087} / _{+0.000} | 9.37 |
| MUU-80X95X12 | 80 | 95 | 12 | 13.00 ^{+0.30} / _{+0.00} | 80.00 ^{-0.030} / _{-0.076} | 95.00 ^{+0.00} / _{-0.20} | 80.00 ^{+0.00} / _{-0.12} | 95.00 ^{+0.087} / _{+0.000} | 10.45 |
| MUU-80X100X10 | 80 | 100 | 10 | 11.00 ^{+0.30} / _{+0.00} | 80.00 ^{-0.030} / _{-0.076} | 100.00 ^{+0.00} / _{-0.20} | 80.00 ^{+0.00} / _{-0.12} | 100.00 ^{+0.087} / _{+0.000} | 10.86 |
| MUU-80X100X12 | 80 | 100 | 12 | 13.00 ^{+0.30} / _{+0.00} | 80.00 ^{-0.030} / _{-0.076} | 100.00 ^{+0.14} / _{+0.00} | 80.00 ^{+0.00} / _{-0.12} | 100.00 ^{+0.087} / _{+0.000} | 10.86 |
| MUU-80X100X13.5 | 80 | 100 | 13.5 | 14.50 ^{+0.30} / _{+0.00} | 80.00 ^{-0.030} / _{-0.076} | 100.00 ^{+0.00} / _{-0.20} | 80.00 ^{+0.00} / _{-0.12} | 100.00 ^{+0.087} / _{+0.000} | 16.08 |
| MUU-80X100X18 | 80 | 100 | 18 | 19.00 ^{+0.30} / _{+0.00} | 80.00 ^{-0.030} / _{-0.076} | 100.00 ^{+0.00} / _{-0.20} | 80.00 ^{+0.00} / _{-0.12} | 100.00 ^{+0.087} / _{+0.000} | 42.02 |
| MUU-84X104X12 | 84 | 104 | 12 | 13.00 ^{+0.30} / _{+0.00} | 84.00 ^{-0.036} / _{-0.090} | 104.00 ^{+0.00} / _{-0.20} | 84.00 ^{+0.00} / _{-0.14} | 104.00 ^{+0.087} / _{+0.000} | 29.94 |
| MUU-85X95X8.5 | 85 | 95 | 8.5 | 9.50 ^{+0.30} / _{+0.00} | 85.00 ^{-0.036} / _{-0.090} | 95.00 ^{+0.00} / _{-0.20} | 85.00 ^{+0.00} / _{-0.14} | 95.00 ^{+0.087} / _{+0.000} | 7.70 |
| MUU-85X95X12 | 85 | 95 | 12 | 13.00 ^{+0.30} / _{+0.00} | 85.00 ^{-0.036} / _{-0.090} | 95.00 ^{+0.00} / _{-0.20} | 85.00 ^{+0.00} / _{-0.14} | 95.00 ^{+0.087} / _{+0.000} | 11.01 |
| MUU-85X100X7.5 | 85 | 100 | 7.5 | 8.50 ^{+0.30} / _{+0.00} | 85.00 ^{-0.036} / _{-0.090} | 100.00 ^{+0.00} / _{-0.20} | 85.00 ^{+0.00} / _{-0.14} | 100.00 ^{+0.087} / _{+0.000} | 14.01 |
| MUU-85X100X9 | 85 | 100 | 9 | 10.00 ^{+0.30} / _{+0.00} | 85.00 ^{-0.036} / _{-0.090} | 100.00 ^{+0.00} / _{-0.20} | 85.00 ^{+0.00} / _{-0.14} | 100.00 ^{+0.087} / _{+0.000} | 32.74 |
| MUU-85X100X11 | 85 | 100 | 11 | 12.00 ^{+0.30} / _{+0.00} | 85.00 ^{-0.036} / _{-0.090} | 100.00 ^{+0.00} / _{-0.20} | 85.00 ^{+0.00} / _{-0.14} | 100.00 ^{+0.087} / _{+0.000} | 11.53 |
| MUU-85X100X12 | 85 | 100 | 12 | 13.00 ^{+0.30} / _{+0.00} | 85.00 ^{-0.036} / _{-0.090} | 100.00 ^{+0.00} / _{-0.20} | 85.00 ^{+0.00} / _{-0.14} | 100.00 ^{+0.087} / _{+0.000} | 13.40 |
| MUU-85X105X10 | 85 | 105 | 10 | 11.00 ^{+0.30} / _{+0.00} | 85.00 ^{-0.036} / _{-0.090} | 105.00 ^{+0.00} / _{-0.20} | 85.00 ^{+0.00} / _{-0.14} | 105.00 ^{+0.087} / _{+0.000} | 21.23 |
| MUU-85X105X12 | 85 | 105 | 12 | 13.00 ^{+0.30} / _{+0.00} | 85.00 ^{-0.036} / _{-0.090} | 105.00 ^{+0.14} / _{+0.00} | 85.00 ^{+0.00} / _{-0.14} | 105.00 ^{+0.087} / _{+0.000} | 11.64 |
| MUU-90X100X7 | 90 | 100 | 7 | 8.00 ^{+0.30} / _{+0.00} | 90.00 ^{-0.036} / _{-0.090} | 100.00 ^{+0.00} / _{-0.20} | 90.00 ^{+0.00} / _{-0.14} | 100.00 ^{+0.087} / _{+0.000} | 10.45 |
| MUU-90X100X8 | 90 | 100 | 8 | 9.00 ^{+0.30} / _{+0.00} | 90.00 ^{-0.036} / _{-0.090} | 100.00 ^{+0.00} / _{-0.20} | 90.00 ^{+0.00} / _{-0.14} | 100.00 ^{+0.087} / _{+0.000} | 10.45 |
| MUU-90X100X12 | 90 | 100 | 12 | 13.00 ^{+0.30} / _{+0.00} | 90.00 ^{-0.036} / _{-0.090} | 100.00 ^{+0.00} / _{-0.20} | 90.00 ^{+0.00} / _{-0.14} | 100.00 ^{+0.087} / _{+0.000} | 31.47 |
| MUU-90X105X9 | 90 | 105 | 9 | 10.00 ^{+0.30} / _{+0.00} | 90.00 ^{-0.036} / _{-0.090} | 105.00 ^{+0.00} / _{-0.20} | 90.00 ^{+0.00} / _{-0.14} | 105.00 ^{+0.087} / _{+0.000} | 35.59 |

NORTH AMERICA
PHONE 1-800-777-5617
FAX 1-800-759-6391

SALES OFFICE HOURS
8 A.M. TO 7:30 P.M. EASTERN TIME
www.HerculesUS.com

WORLDWIDE
PHONE 1-727-796-1300
FAX 1-727-797-8849



STYLE MUU SYMMETRICAL U-SEALS

| Part Number | A Nom. ID | B Nom. OD | C Nom. Ht | D GROOVE WIDTH | E ROD DIAMETER | G HOUSING DIAMETER | H GROOVE DIAMETER | J BORE DIAMETER | List Price |
|------------------|--------------|--------------|--------------|----------------------|-------------------------|--------------------------|-----------------------|-------------------------|---------------|
| MUU-90X105X12 | 90 | 105 | 12 | 13.00 +0.30 +0.00 | 90.00 -0.036 -0.090 | 105.00 +0.00 -0.20 | 90.00 +0.00 -0.14 | 105.00 +0.087 +0.000 | 14.57 |
| MUU-90X110X10 | 90 | 110 | 10 | 11.00 +0.30 +0.00 | 90.00 -0.036 -0.090 | 110.00 +0.00 -0.20 | 90.00 +0.00 -0.14 | 110.00 +0.087 +0.000 | 7.14 |
| MUU-90X110X12 | 90 | 110 | 12 | 13.00 +0.30 +0.00 | 90.00 -0.036 -0.090 | 110.00 +0.14 +0.00 | 90.00 +0.00 -0.14 | 110.00 +0.087 +0.000 | 12.18 |
| MUU-90X115X15 | 90 | 115 | 15 | 16.00 +0.30 +0.00 | 90.00 -0.036 -0.090 | 115.00 +0.00 -0.20 | 90.00 +0.00 -0.14 | 115.00 +0.087 +0.000 | 10.53 |
| MUU-95X110X9 | 95 | 110 | 9 | 10.00 +0.30 +0.00 | 95.00 -0.036 -0.090 | 110.00 +0.00 -0.20 | 95.00 +0.00 -0.14 | 110.00 +0.087 +0.000 | 33.87 |
| MUU-95X110X10 | 95 | 110 | 10 | 11.00 +0.30 +0.00 | 95.00 -0.036 -0.090 | 110.00 +0.00 -0.20 | 95.00 +0.00 -0.14 | 110.00 +0.087 +0.000 | 8.37 |
| MUU-95X110X12 | 95 | 110 | 12 | 13.00 +0.30 +0.00 | 95.00 -0.036 -0.090 | 110.00 +0.00 -0.20 | 95.00 +0.00 -0.14 | 110.00 +0.087 +0.000 | 8.07 |
| MUU-95X115X12 | 95 | 115 | 12 | 13.00 +0.30 +0.00 | 95.00 -0.036 -0.090 | 115.00 +0.14 +0.00 | 95.00 +0.00 -0.14 | 115.00 +0.087 +0.000 | 13.78 |
| MUU-98X112X9 | 98 | 112 | 9 | 10.00 +0.30 +0.00 | 98.00 -0.036 -0.090 | 112.00 +0.14 +0.00 | 98.00 +0.00 -0.14 | 112.00 +0.087 +0.000 | 34.49 |
| MUU-100X110X5 | 100 | 110 | 5 | 5.70 +0.30 +0.00 | 100.00 -0.036 -0.090 | 110.00 +0.00 -0.20 | 100.00 +0.00 -0.14 | 110.00 +0.087 +0.000 | 7.14 |
| MUU-100X110X8 | 100 | 110 | 8 | 9.00 +0.30 +0.00 | 100.00 -0.036 -0.090 | 110.00 +0.00 -0.20 | 100.00 +0.00 -0.14 | 110.00 +0.087 +0.000 | 8.51 |
| MUU-100X115X9 | 100 | 115 | 9 | 10.00 +0.30 +0.00 | 100.00 -0.036 -0.090 | 115.00 +0.00 -0.20 | 100.00 +0.00 -0.14 | 115.00 +0.087 +0.000 | 34.49 |
| MUU-100X115X12 | 100 | 115 | 12 | 13.00 +0.30 +0.00 | 100.00 -0.036 -0.090 | 115.00 +0.00 -0.20 | 100.00 +0.00 -0.14 | 115.00 +0.087 +0.000 | 12.60 |
| MUU-100X120X12 | 100 | 120 | 12 | 13.00 +0.30 +0.00 | 100.00 -0.036 -0.090 | 120.00 +0.14 +0.00 | 100.00 +0.00 -0.14 | 120.00 +0.087 +0.000 | 35.70 |
| MUU-100X120X13.5 | 100 | 120 | 13.5 | 14.50 +0.30 +0.00 | 100.00 -0.036 -0.090 | 120.00 +0.00 -0.20 | 100.00 +0.00 -0.14 | 120.00 +0.087 +0.000 | 14.54 |
| MUU-100X120X15 | 100 | 120 | 15 | 16.00 +0.30 +0.00 | 100.00 -0.036 -0.090 | 120.00 +0.00 -0.20 | 100.00 +0.00 -0.14 | 120.00 +0.087 +0.000 | 9.48 |
| MUU-100X125X15 | 100 | 125 | 15 | 17.00 +0.30 +0.00 | 100.00 -0.036 -0.090 | 125.00 +0.16 +0.00 | 100.00 +0.00 -0.14 | 125.00 +0.10 +0.00 | 14.98 |
| MUU-105X120X8 | 105 | 120 | 8 | 9.00 +0.30 +0.00 | 105.00 -0.036 -0.090 | 120.00 +0.00 -0.20 | 105.00 +0.00 -0.14 | 120.00 +0.087 +0.000 | 11.42 |
| MUU-105X120X15 | 105 | 120 | 15 | 16.00 +0.30 +0.00 | 105.00 -0.036 -0.090 | 120.00 +0.00 -0.20 | 105.00 +0.00 -0.14 | 120.00 +0.087 +0.000 | 14.04 |
| MUU-105X125X11.4 | 105 | 125 | 11.4 | 12.50 +0.30 +0.00 | 105.00 -0.036 -0.090 | 125.00 +0.00 -0.20 | 105.00 +0.00 -0.14 | 125.00 +0.10 +0.00 | 25.22 |
| MUU-105X125X12 | 105 | 125 | 12 | 13.00 +0.30 +0.00 | 105.00 -0.036 -0.090 | 125.00 +0.00 -0.20 | 105.00 +0.00 -0.14 | 125.00 +0.10 +0.00 | 10.77 |
| MUU-105X125X15 | 105 | 125 | 15 | 17.00 +0.30 +0.00 | 105.00 -0.036 -0.090 | 125.00 +0.16 +0.00 | 105.00 +0.00 -0.14 | 125.00 +0.10 +0.00 | 13.92 |
| MUU-105X125X16 | 105 | 125 | 16 | 17.00 +0.30 +0.00 | 105.00 -0.036 -0.090 | 125.00 +0.00 -0.20 | 105.00 +0.00 -0.14 | 125.00 +0.10 +0.00 | 12.90 |
| MUU-105X130X12 | 105 | 130 | 12 | 13.00 +0.30 +0.00 | 105.00 -0.036 -0.090 | 130.00 +0.00 -0.20 | 105.00 +0.00 -0.14 | 130.00 +0.10 +0.00 | 19.08 |
| MUU-106X120X8.5 | 106 | 120 | 8.5 | 9.50 +0.30 +0.00 | 106.00 -0.036 -0.090 | 120.00 +0.00 -0.20 | 106.00 +0.00 -0.14 | 120.00 +0.087 +0.000 | 10.30 |
| MUU-110X125X12 | 110 | 125 | 12 | 13.00 +0.30 +0.00 | 110.00 -0.036 -0.090 | 125.00 +0.00 -0.20 | 110.00 +0.00 -0.14 | 125.00 +0.10 +0.00 | 14.57 |
| MUU-110X125X15 | 110 | 125 | 15 | 16.00 +0.30 +0.00 | 110.00 -0.036 -0.090 | 125.00 +0.00 -0.20 | 110.00 +0.00 -0.14 | 125.00 +0.10 +0.00 | 37.05 |
| MUU-110X130X10 | 110 | 130 | 10 | 11.00 +0.30 +0.00 | 110.00 -0.036 -0.090 | 130.00 +0.00 -0.20 | 110.00 +0.00 -0.14 | 130.00 +0.10 +0.00 | 8.57 |
| MUU-110X130X15 | 110 | 130 | 15 | 17.00 +0.30 +0.00 | 110.00 -0.036 -0.090 | 130.00 +0.16 +0.00 | 110.00 +0.00 -0.14 | 130.00 +0.10 +0.00 | 33.16 |
| MUU-112X125X9 | 112 | 125 | 9 | 10.00 +0.30 +0.00 | 112.00 -0.036 -0.090 | 125.00 +0.00 -0.20 | 112.00 +0.00 -0.14 | 125.00 +0.10 +0.00 | 35.70 |
| MUU-115X125X12 | 115 | 125 | 12 | 13.00 +0.30 +0.00 | 115.00 -0.036 -0.090 | 125.00 +0.00 -0.20 | 115.00 +0.00 -0.14 | 125.00 +0.10 +0.00 | 10.06 |
| MUU-115X130X11 | 115 | 130 | 11 | 12.00 +0.30 +0.00 | 115.00 -0.036 -0.090 | 130.00 +0.00 -0.20 | 115.00 +0.00 -0.14 | 130.00 +0.10 +0.00 | 23.07 |
| MUU-115X135X15 | 115 | 135 | 15 | 17.00 +0.30 +0.00 | 115.00 -0.036 -0.090 | 135.00 +0.16 +0.00 | 115.00 +0.00 -0.14 | 135.00 +0.10 +0.00 | 47.33 |

U-SEALS

FORMERLY LISTED SEALS ARE AVAILABLE ONLINE AT WWW.HERCULESUS.COM
OR BY CONTACTING YOUR REGIONAL HERCULES SALES TEAM.



STYLE MUU SYMMETRICAL U-SEALS

U-SEALS

| Part Number | A Nom. ID | B Nom. OD | C Nom. Ht | D GROOVE WIDTH | E ROD DIAMETER | G HOUSING DIAMETER | H GROOVE DIAMETER | J BORE DIAMETER | List Price |
|--------------------|--------------|--------------|--------------|---|--|--|--|--|---------------|
| MUU-120X130X14 | 120 | 130 | 14 | 15.00 ^{+0.30} / _{+0.00} | 120.00 ^{-0.036} / _{-0.090} | 130.00 ^{+0.00} / _{-0.20} | 120.00 ^{+0.00} / _{-0.14} | 130.00 ^{+0.10} / _{+0.00} | 12.90 |
| MUU-120X140X10 | 120 | 140 | 10 | 11.00 ^{+0.30} / _{+0.00} | 120.00 ^{-0.036} / _{-0.090} | 140.00 ^{+0.00} / _{-0.20} | 120.00 ^{+0.00} / _{-0.14} | 140.00 ^{+0.10} / _{+0.00} | 10.02 |
| MUU-120X140X12 | 120 | 140 | 12 | 13.00 ^{+0.30} / _{+0.00} | 120.00 ^{-0.036} / _{-0.090} | 140.00 ^{+0.00} / _{-0.20} | 120.00 ^{+0.00} / _{-0.14} | 140.00 ^{+0.10} / _{+0.00} | 18.28 |
| MUU-120X140X15 | 120 | 140 | 15 | 17.00 ^{+0.30} / _{+0.00} | 120.00 ^{-0.036} / _{-0.090} | 140.00 ^{+0.16} / _{+0.00} | 120.00 ^{+0.00} / _{-0.14} | 140.00 ^{+0.10} / _{+0.00} | 16.04 |
| MUU-125X140X11 | 125 | 140 | 11 | 12.00 ^{+0.30} / _{+0.00} | 125.00 ^{-0.043} / _{-0.106} | 140.00 ^{+0.00} / _{-0.20} | 125.00 ^{+0.00} / _{-0.16} | 140.00 ^{+0.10} / _{+0.00} | 16.04 |
| MUU-125X140X12 | 125 | 140 | 12 | 13.00 ^{+0.30} / _{+0.00} | 125.00 ^{-0.043} / _{-0.106} | 140.00 ^{+0.00} / _{-0.20} | 125.00 ^{+0.00} / _{-0.16} | 140.00 ^{+0.10} / _{+0.00} | 13.27 |
| MUU-125X145X15 | 125 | 145 | 15 | 17.00 ^{+0.30} / _{+0.00} | 125.00 ^{-0.043} / _{-0.106} | 145.00 ^{+0.16} / _{+0.00} | 125.00 ^{+0.00} / _{-0.16} | 145.00 ^{+0.10} / _{+0.00} | 37.19 |
| MUU-125X150X12 | 125 | 150 | 12 | 13.00 ^{+0.30} / _{+0.00} | 125.00 ^{-0.043} / _{-0.106} | 150.00 ^{+0.00} / _{-0.20} | 125.00 ^{+0.00} / _{-0.16} | 150.00 ^{+0.10} / _{+0.00} | 24.53 |
| MUU-125X150X18 | 125 | 150 | 18 | 19.00 ^{+0.30} / _{+0.00} | 125.00 ^{-0.043} / _{-0.106} | 150.00 ^{+0.00} / _{-0.20} | 125.00 ^{+0.00} / _{-0.16} | 150.00 ^{+0.10} / _{+0.00} | 12.30 |
| MUU-135X150X15 | 135 | 150 | 15 | 16.00 ^{+0.30} / _{+0.00} | 135.00 ^{-0.043} / _{-0.106} | 150.00 ^{+0.00} / _{-0.20} | 135.00 ^{+0.00} / _{-0.16} | 150.00 ^{+0.10} / _{+0.00} | 12.09 |
| MUU-136X150X9 | 136 | 150 | 9 | 10.00 ^{+0.30} / _{+0.00} | 136.00 ^{-0.043} / _{-0.106} | 150.00 ^{+0.16} / _{+0.00} | 136.00 ^{+0.00} / _{-0.16} | 150.00 ^{+0.10} / _{+0.00} | 40.99 |
| MUU-140X155X8.9 | 140 | 155 | 8.9 | 10.00 ^{+0.30} / _{+0.00} | 140.00 ^{-0.043} / _{-0.106} | 155.00 ^{+0.00} / _{-0.20} | 140.00 ^{+0.00} / _{-0.16} | 155.00 ^{+0.10} / _{+0.00} | 36.21 |
| MUU-140X155X9 | 140 | 155 | 9 | 10.00 ^{+0.30} / _{+0.00} | 140.00 ^{-0.043} / _{-0.106} | 155.00 ^{+0.00} / _{-0.20} | 140.00 ^{+0.00} / _{-0.16} | 155.00 ^{+0.10} / _{+0.00} | 15.25 |
| MUU-140X160X15 | 140 | 160 | 15 | 17.00 ^{+0.30} / _{+0.00} | 140.00 ^{-0.043} / _{-0.106} | 160.00 ^{+0.16} / _{+0.00} | 140.00 ^{+0.00} / _{-0.16} | 160.00 ^{+0.10} / _{+0.00} | 38.75 |
| MUU-140X165X15 | 140 | 165 | 15 | 17.00 ^{+0.30} / _{+0.00} | 140.00 ^{-0.043} / _{-0.106} | 165.00 ^{+0.16} / _{+0.00} | 140.00 ^{+0.00} / _{-0.16} | 165.00 ^{+0.10} / _{+0.00} | 20.81 |
| MUU-145X160X9 | 145 | 160 | 9 | 10.00 ^{+0.30} / _{+0.00} | 145.00 ^{-0.043} / _{-0.106} | 160.00 ^{+0.00} / _{-0.20} | 145.00 ^{+0.00} / _{-0.16} | 160.00 ^{+0.10} / _{+0.00} | 46.71 |
| MUU-145X165X15 | 145 | 165 | 15 | 17.00 ^{+0.30} / _{+0.00} | 145.00 ^{-0.043} / _{-0.106} | 165.00 ^{+0.16} / _{+0.00} | 145.00 ^{+0.00} / _{-0.16} | 165.00 ^{+0.10} / _{+0.00} | 46.22 |
| MUU-150X165X8.9 | 150 | 165 | 8.9 | 10.00 ^{+0.30} / _{+0.00} | 150.00 ^{-0.043} / _{-0.106} | 165.00 ^{+0.00} / _{-0.20} | 150.00 ^{+0.00} / _{-0.16} | 165.00 ^{+0.10} / _{+0.00} | 44.22 |
| MUU-150X170X15 | 150 | 170 | 15 | 17.00 ^{+0.30} / _{+0.00} | 150.00 ^{-0.043} / _{-0.106} | 170.00 ^{+0.16} / _{+0.00} | 150.00 ^{+0.00} / _{-0.16} | 170.00 ^{+0.10} / _{+0.00} | 46.22 |
| MUU-150X180X13.5 | 150 | 180 | 13.5 | 14.50 ^{+0.30} / _{+0.00} | 150.00 ^{-0.043} / _{-0.106} | 180.00 ^{+0.00} / _{-0.20} | 150.00 ^{+0.00} / _{-0.16} | 180.00 ^{+0.10} / _{+0.00} | 29.63 |
| MUU-155X170X10 | 155 | 170 | 10 | 11.00 ^{+0.30} / _{+0.00} | 155.00 ^{-0.043} / _{-0.106} | 170.00 ^{+0.00} / _{-0.20} | 155.00 ^{+0.00} / _{-0.16} | 170.00 ^{+0.10} / _{+0.00} | 39.55 |
| MUU-155X180X15 | 155 | 180 | 15 | 17.00 ^{+0.30} / _{+0.00} | 155.00 ^{-0.043} / _{-0.106} | 180.00 ^{+0.16} / _{+0.00} | 155.00 ^{+0.00} / _{-0.16} | 180.00 ^{+0.10} / _{+0.00} | 51.54 |
| MUU-160X175X9 | 160 | 175 | 9 | 10.00 ^{+0.30} / _{+0.00} | 160.00 ^{-0.043} / _{-0.106} | 175.00 ^{+0.00} / _{-0.20} | 160.00 ^{+0.00} / _{-0.16} | 175.00 ^{+0.10} / _{+0.00} | 55.28 |
| MUU-160X180X10 | 160 | 180 | 10 | 11.00 ^{+0.30} / _{+0.00} | 160.00 ^{-0.043} / _{-0.106} | 180.00 ^{+0.00} / _{-0.20} | 160.00 ^{+0.00} / _{-0.16} | 180.00 ^{+0.10} / _{+0.00} | 54.89 |
| MUU-160X180X14.5-E | 160 | 180 | 14.5 | 16.00 ^{+0.30} / _{+0.00} | 160.00 ^{-0.043} / _{-0.106} | 180.00 ^{+0.00} / _{-0.20} | 160.00 ^{+0.00} / _{-0.16} | 180.00 ^{+0.10} / _{+0.00} | 71.84 |
| MUU-160X185X15 | 160 | 185 | 15 | 17.00 ^{+0.30} / _{+0.00} | 160.00 ^{-0.043} / _{-0.106} | 185.00 ^{+0.185} / _{+0.000} | 160.00 ^{+0.00} / _{-0.16} | 185.00 ^{+0.115} / _{+0.000} | 56.67 |
| MUU-160X190X22 | 160 | 190 | 22 | 23.00 ^{+0.30} / _{+0.00} | 160.00 ^{-0.043} / _{-0.106} | 190.00 ^{+0.00} / _{-0.20} | 160.00 ^{+0.00} / _{-0.16} | 190.00 ^{+0.115} / _{+0.000} | 23.64 |
| MUU-165X180X9 | 165 | 180 | 9 | 10.00 ^{+0.30} / _{+0.00} | 165.00 ^{-0.043} / _{-0.106} | 180.00 ^{+0.00} / _{-0.20} | 165.00 ^{+0.00} / _{-0.16} | 180.00 ^{+0.10} / _{+0.00} | 57.77 |
| MUU-165X180X9.5 | 165 | 180 | 9.5 | 10.50 ^{+0.30} / _{+0.00} | 165.00 ^{-0.043} / _{-0.106} | 180.00 ^{+0.00} / _{-0.20} | 165.00 ^{+0.00} / _{-0.16} | 180.00 ^{+0.10} / _{+0.00} | 21.91 |
| MUU-165X190X15 | 165 | 190 | 15 | 17.00 ^{+0.30} / _{+0.00} | 165.00 ^{-0.043} / _{-0.106} | 190.00 ^{+0.185} / _{+0.000} | 165.00 ^{+0.00} / _{-0.16} | 190.00 ^{+0.115} / _{+0.000} | 60.86 |
| MUU-165X195X7.6 | 165 | 195 | 7.6 | 8.50 ^{+0.30} / _{+0.00} | 165.00 ^{-0.043} / _{-0.106} | 195.00 ^{+0.00} / _{-0.20} | 165.00 ^{+0.00} / _{-0.16} | 195.00 ^{+0.115} / _{+0.000} | 41.59 |
| MUU-170X190X15 | 170 | 190 | 15 | 16.00 ^{+0.30} / _{+0.00} | 170.00 ^{-0.043} / _{-0.106} | 190.00 ^{+0.00} / _{-0.20} | 170.00 ^{+0.00} / _{-0.16} | 190.00 ^{+0.115} / _{+0.000} | 24.59 |
| MUU-170X195X15 | 170 | 195 | 15 | 17.00 ^{+0.30} / _{+0.00} | 170.00 ^{-0.043} / _{-0.106} | 195.00 ^{+0.185} / _{+0.000} | 170.00 ^{+0.00} / _{-0.16} | 195.00 ^{+0.115} / _{+0.000} | 63.90 |

NORTH AMERICA
PHONE 1-800-777-5617
FAX 1-800-759-6391

SALES OFFICE HOURS
8 A.M. TO 7:30 P.M. EASTERN TIME
www.HerculesUS.com

WORLDWIDE
PHONE 1-727-796-1300
FAX 1-727-797-8849



STYLE MUU SYMMETRICAL U-SEALS

| Part Number | A Nom. ID | B Nom. OD | C Nom. Ht | D GROOVE WIDTH | E ROD DIAMETER | G HOUSING DIAMETER | H GROOVE DIAMETER | J BORE DIAMETER | List Price |
|----------------|--------------|--------------|--------------|----------------------|-------------------------|--------------------------|-------------------------|-------------------------|---------------|
| MUU-170X200X18 | 170 | 200 | 18 | 19.00 +0.30 +0.00 | 170.00 -0.043 -0.106 | 200.00 +0.00 -0.20 | 170.00 +0.00 -0.16 | 200.00 +0.115 +0.000 | 66.12 |
| MUU-170X200X22 | 170 | 200 | 22 | 23.00 +0.30 +0.00 | 170.00 -0.043 -0.106 | 200.00 +0.00 -0.20 | 170.00 +0.00 -0.16 | 200.00 +0.115 +0.000 | 26.74 |
| MUU-175X200X15 | 175 | 200 | 15 | 17.00 +0.30 +0.00 | 175.00 -0.043 -0.106 | 200.00 +0.185 +0.000 | 175.00 +0.00 -0.16 | 200.00 +0.115 +0.000 | 65.97 |
| MUU-180X200X18 | 180 | 200 | 18 | 19.00 +0.30 +0.00 | 180.00 -0.043 -0.106 | 200.00 +0.00 -0.20 | 180.00 +0.00 -0.16 | 200.00 +0.115 +0.000 | 51.05 |
| MUU-180X205X15 | 180 | 205 | 15 | 17.00 +0.30 +0.00 | 180.00 -0.043 -0.106 | 205.00 +0.185 +0.000 | 180.00 +0.00 -0.16 | 205.00 +0.115 +0.000 | 69.72 |
| MUU-180X210X15 | 180 | 210 | 15 | 16.00 +0.30 +0.00 | 180.00 -0.043 -0.106 | 210.00 +0.00 -0.20 | 180.00 +0.00 -0.16 | 210.00 +0.115 +0.000 | 83.66 |
| MUU-180X210X22 | 180 | 210 | 22 | 23.00 +0.30 +0.00 | 180.00 -0.043 -0.106 | 210.00 +0.00 -0.20 | 180.00 +0.00 -0.16 | 210.00 +0.115 +0.000 | 26.74 |
| MUU-190X210X12 | 190 | 210 | 12 | 13.00 +0.30 +0.00 | 190.00 -0.050 -0.122 | 210.00 +0.00 -0.20 | 190.00 +0.000 -0.185 | 210.00 +0.115 +0.000 | 72.37 |
| MUU-190X210X15 | 190 | 210 | 15 | 16.00 +0.30 +0.00 | 190.00 -0.050 -0.122 | 210.00 +0.00 -0.20 | 190.00 +0.000 -0.185 | 210.00 +0.115 +0.000 | 28.59 |
| MUU-190X215X15 | 190 | 215 | 15 | 17.00 +0.30 +0.00 | 190.00 -0.050 -0.122 | 215.00 +0.185 +0.000 | 190.00 +0.000 -0.185 | 215.00 +0.115 +0.000 | 73.74 |
| MUU-200X220X12 | 200 | 220 | 12 | 13.00 +0.30 +0.00 | 200.00 -0.050 -0.122 | 220.00 +0.00 -0.20 | 200.00 +0.000 -0.185 | 220.00 +0.115 +0.000 | 75.05 |
| MUU-200X225X15 | 200 | 225 | 15 | 17.00 +0.30 +0.00 | 200.00 -0.050 -0.122 | 225.00 +0.185 +0.000 | 200.00 +0.000 -0.185 | 225.00 +0.115 +0.000 | 75.93 |
| MUU-200X225X18 | 200 | 225 | 18 | 20.00 +0.30 +0.00 | 200.00 -0.050 -0.122 | 225.00 +0.185 +0.000 | 200.00 +0.000 -0.185 | 225.00 +0.115 +0.000 | 43.33 |
| MUU-200X230X18 | 200 | 230 | 18 | 19.00 +0.30 +0.00 | 200.00 -0.050 -0.122 | 230.00 +0.00 -0.20 | 200.00 +0.000 -0.185 | 230.00 +0.115 +0.000 | 37.27 |
| MUU-210X235X18 | 210 | 235 | 18 | 20.00 +0.30 +0.00 | 210.00 -0.050 -0.122 | 235.00 +0.185 +0.000 | 210.00 +0.000 -0.185 | 235.00 +0.115 +0.000 | 79.41 |
| MUU-210X240X18 | 210 | 240 | 18 | 19.00 +0.30 +0.00 | 210.00 -0.050 -0.122 | 240.00 +0.00 -0.20 | 210.00 +0.000 -0.185 | 240.00 +0.115 +0.000 | 45.79 |
| MUU-220X240X12 | 220 | 240 | 12 | 13.00 +0.30 +0.00 | 220.00 -0.050 -0.122 | 240.00 +0.00 -0.20 | 220.00 +0.000 -0.185 | 240.00 +0.115 +0.000 | 80.35 |
| MUU-220X240X15 | 220 | 240 | 15 | 16.00 +0.30 +0.00 | 220.00 -0.050 -0.122 | 240.00 +0.00 -0.20 | 220.00 +0.000 -0.185 | 240.00 +0.115 +0.000 | 45.45 |
| MUU-220X250X15 | 220 | 250 | 15 | 16.00 +0.30 +0.00 | 220.00 -0.050 -0.122 | 250.00 +0.00 -0.20 | 220.00 +0.000 -0.185 | 250.00 +0.115 +0.000 | 42.88 |
| MUU-220X250X17 | 220 | 250 | 17 | 19.20 +0.30 +0.00 | 220.00 -0.050 -0.122 | 250.00 +0.00 -0.20 | 220.00 +0.000 -0.185 | 250.00 +0.115 +0.000 | 81.07 |
| MUU-220X250X18 | 220 | 250 | 18 | 19.00 +0.30 +0.00 | 220.00 -0.050 -0.122 | 250.00 +0.00 -0.20 | 220.00 +0.000 -0.185 | 250.00 +0.115 +0.000 | 59.19 |
| MUU-220X250X20 | 220 | 250 | 20 | 21.00 +0.30 +0.00 | 220.00 -0.050 -0.122 | 250.00 +0.00 -0.20 | 220.00 +0.000 -0.185 | 250.00 +0.115 +0.000 | 47.27 |
| MUU-230X250X12 | 230 | 250 | 12 | 13.00 +0.30 +0.00 | 230.00 -0.050 -0.122 | 250.00 +0.00 -0.20 | 230.00 +0.000 -0.185 | 250.00 +0.115 +0.000 | 81.44 |
| MUU-230X250X15 | 230 | 250 | 15 | 16.00 +0.30 +0.00 | 230.00 -0.050 -0.122 | 250.00 +0.00 -0.20 | 230.00 +0.000 -0.185 | 250.00 +0.115 +0.000 | 42.88 |
| MUU-240X260X16 | 240 | 260 | 16 | 17.00 +0.30 +0.00 | 240.00 -0.050 -0.122 | 260.00 +0.00 -0.20 | 240.00 +0.000 -0.185 | 260.00 +0.13 +0.00 | 46.35 |
| MUU-245X270X15 | 245 | 270 | 15 | 16.00 +0.30 +0.00 | 245.00 -0.050 -0.122 | 270.00 +0.00 -0.20 | 245.00 +0.000 -0.185 | 270.00 +0.13 +0.00 | 53.75 |
| MUU-250X270X15 | 250 | 270 | 15 | 16.00 +0.30 +0.00 | 250.00 -0.050 -0.122 | 270.00 +0.00 -0.20 | 250.00 +0.000 -0.185 | 270.00 +0.13 +0.00 | 86.61 |
| MUU-250X275X18 | 250 | 275 | 18 | 20.00 +0.30 +0.00 | 250.00 -0.050 -0.122 | 275.00 +0.21 +0.00 | 250.00 +0.000 -0.185 | 275.00 +0.13 +0.00 | 100.07 |
| MUU-250X280X18 | 250 | 280 | 18 | 19.00 +0.30 +0.00 | 250.00 -0.050 -0.122 | 280.00 +0.00 -0.20 | 250.00 +0.000 -0.185 | 280.00 +0.13 +0.00 | 61.41 |
| MUU-260X290X18 | 260 | 290 | 18 | 20.00 +0.30 +0.00 | 260.00 -0.056 -0.137 | 290.00 +0.21 +0.00 | 260.00 +0.00 -0.21 | 290.00 +0.13 +0.00 | 53.18 |
| MUU-270X290X17 | 270 | 290 | 17 | 18.00 +0.30 +0.00 | 270.00 -0.056 -0.137 | 290.00 +0.00 -0.20 | 270.00 +0.00 -0.21 | 290.00 +0.13 +0.00 | 60.03 |
| MUU-280X300X15 | 280 | 300 | 15 | 16.00 +0.30 +0.00 | 280.00 -0.056 -0.137 | 300.00 +0.00 -0.20 | 280.00 +0.00 -0.21 | 300.00 +0.13 +0.00 | 71.65 |
| MUU-320X340X15 | 320 | 340 | 15 | 16.00 +0.30 +0.00 | 320.00 -0.062 -0.151 | 340.00 +0.00 -0.20 | 320.00 +0.00 -0.23 | 340.00 +0.14 +0.00 | 120.44 |

U-SEALS

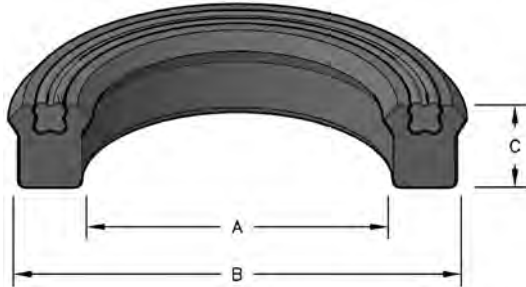
Seal color may vary. Special order sizes are available. Sizes not shown and out of stock items can also be ordered for next day delivery through Seals On Demand, our custom seal program. Please call your regional sales team for assistance.

FORMERLY LISTED SEALS ARE AVAILABLE ONLINE AT WWW.HERCULESUS.COM
OR BY CONTACTING YOUR REGIONAL HERCULES SALES TEAM.



STYLE MUUL LOADED SYMMETRICAL U-SEALS

Molded from tough polyurethane material, these seals offer high resistance to wear and abrasion. Energized with a four-lobed ring, they have greatly increased low pressure performance.



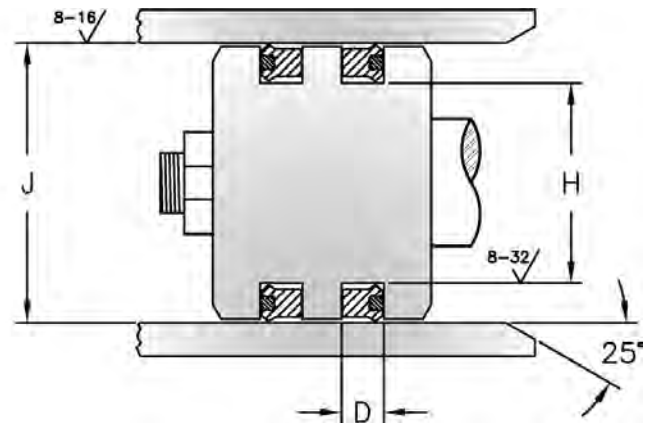
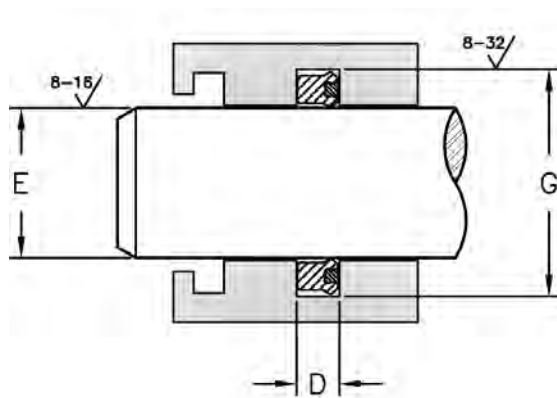
H = High Temperature

HERCULES PART NUMBERS

MUUL - 9 X 19 X 8
 Style Prefix Inside Diameter Outside Diameter Height

SEAL INFORMATION

| | |
|-------------------|-----------------|
| MATERIAL | URETHANE |
| TEMPERATURE RANGE | -40° TO +200° F |
| PRESSURE RANGE | 0 TO 5,000 PSI |
| SPEED | 3 FT/SEC |



U-SEALS

| Part Number | A Nom. ID | B Nom. OD | C Nom. Ht | D GROOVE WIDTH | E ROD DIAMETER | G HOUSING DIAMETER | H GROOVE DIAMETER | J BORE DIAMETER | List Price |
|------------------|--------------|--------------|--------------|------------------------|---------------------------|---------------------------|---------------------------|---------------------------|---------------|
| MUUL-9X19X8 | 9 | 19 | 8 | 8.80 +0.20 +0.00 | 9.00 +0.000 -0.036 | 19.00 +0.052 +0.000 | 9.00 +0.000 -0.058 | 19.00 +0.052 +0.000 | \$5.00 |
| MUUL-10X16X6 | 10 | 16 | 6 | 6.60 +0.20 +0.00 | 10.00 +0.000 -0.036 | 16.00 +0.043 +0.000 | 10.00 +0.000 -0.058 | 16.00 +0.043 +0.000 | 4.94 |
| MUUL-10X20X8 | 10 | 20 | 8 | 8.80 +0.20 +0.00 | 10.00 +0.000 -0.036 | 20.00 +0.052 +0.000 | 10.00 +0.000 -0.058 | 20.00 +0.052 +0.000 | 4.94 |
| MUUL-12X18X6 | 12 | 18 | 6 | 6.60 +0.20 +0.00 | 12.00 +0.000 -0.043 | 18.00 +0.043 +0.000 | 12.00 +0.00 -0.07 | 18.00 +0.043 +0.000 | 5.05 |
| MUUL-12X22X7.7 | 12 | 22 | 7.7 | 8.50 +0.20 +0.00 | 12.00 +0.000 -0.043 | 22.00 +0.052 +0.000 | 12.00 +0.00 -0.07 | 22.00 +0.052 +0.000 | 5.39 |
| MUUL-12.5X22.5X8 | 12.5 | 22.5 | 8 | 8.80 +0.20 +0.00 | 12.50 +0.000 -0.043 | 22.50 +0.052 +0.000 | 12.50 +0.00 -0.07 | 22.50 +0.052 +0.000 | 5.84 |
| MUUL-14X22X5 | 14 | 22 | 5 | 5.50 +0.20 +0.00 | 14.00 +0.000 -0.043 | 22.00 +0.052 +0.000 | 14.00 +0.00 -0.07 | 22.00 +0.052 +0.000 | 5.84 |
| MUUL-14X24X8 | 14 | 24 | 8 | 8.80 +0.20 +0.00 | 14.00 +0.000 -0.043 | 24.00 +0.052 +0.000 | 14.00 +0.00 -0.07 | 24.00 +0.052 +0.000 | 5.84 |
| MUUL-15X25X8 | 15 | 25 | 8 | 8.80 +0.20 +0.00 | 15.00 +0.000 -0.043 | 25.00 +0.052 +0.000 | 15.00 +0.00 -0.07 | 25.00 +0.052 +0.000 | 6.16 |
| MUUL-16X24X5 | 16 | 24 | 5 | 5.50 +0.20 +0.00 | 16.00 +0.000 -0.043 | 24.00 +0.052 +0.000 | 16.00 +0.00 -0.07 | 24.00 +0.052 +0.000 | 5.49 |
| MUUL-16X26X8 | 16 | 26 | 8 | 8.80 +0.20 +0.00 | 16.00 +0.000 -0.043 | 26.00 +0.052 +0.000 | 16.00 +0.00 -0.07 | 26.00 +0.052 +0.000 | 6.16 |
| MUUL-18X26X5 | 18 | 26 | 5 | 5.50 +0.20 +0.00 | 18.00 +0.000 -0.043 | 26.00 +0.052 +0.000 | 18.00 +0.00 -0.07 | 26.00 +0.052 +0.000 | 6.30 |
| MUUL-18X28X8 | 18 | 28 | 8 | 8.80 +0.20 +0.00 | 18.00 +0.000 -0.043 | 28.00 +0.052 +0.000 | 18.00 +0.00 -0.07 | 28.00 +0.052 +0.000 | 11.02 |
| MUUL-20X26X5 | 20 | 26 | 5 | 5.50 +0.20 +0.00 | 20.00 +0.000 -0.052 | 26.00 +0.052 +0.000 | 20.00 +0.000 -0.084 | 26.00 +0.052 +0.000 | 5.53 |

NORTH AMERICA
 PHONE 1-800-777-5617
 FAX 1-800-759-6391

SALES OFFICE HOURS
 8 A.M. TO 7:30 P.M. EASTERN TIME
www.HerculesUS.com

WORLDWIDE
 PHONE 1-727-796-1300
 FAX 1-727-797-8849



STYLE MUUL LOADED SYMMETRICAL U-SEALS

| Part Number | A Nom. ID | B Nom. OD | C Nom. Ht | D GROOVE WIDTH | E ROD DIAMETER | G HOUSING DIAMETER | H GROOVE DIAMETER | J BORE DIAMETER | List Price |
|------------------|--------------|--------------|--------------|---|---|---|---|---|---------------|
| MUUL-20X28X5 | 20 | 28 | 5 | 5.50 ^{+0.20} / _{+0.00} | 20.00 ^{+0.000} / _{-0.052} | 28.00 ^{+0.052} / _{+0.000} | 20.00 ^{+0.000} / _{-0.084} | 28.00 ^{+0.052} / _{+0.000} | 6.98 |
| MUUL-20X28X5.7HT | 20 | 28 | 5.7 | 6.30 ^{+0.25} / _{+0.00} | 20.00 ^{+0.000} / _{-0.052} | 28.00 ^{+0.052} / _{+0.000} | N/A | N/A | 18.76 |
| MUUL-20X30X8 | 20 | 30 | 8 | 8.80 ^{+0.20} / _{+0.00} | 20.00 ^{+0.000} / _{-0.052} | 30.00 ^{+0.052} / _{+0.000} | 20.00 ^{+0.000} / _{-0.084} | 30.00 ^{+0.052} / _{+0.000} | 6.81 |
| MUUL-20X35X10 | 20 | 35 | 10 | 11.00 ^{+0.20} / _{+0.00} | 20.00 ^{+0.000} / _{-0.052} | 35.00 ^{+0.062} / _{+0.000} | 20.00 ^{+0.000} / _{-0.084} | 35.00 ^{+0.062} / _{+0.000} | 12.24 |
| MUUL-20X35X12 | 20 | 35 | 12 | 13.20 ^{+0.20} / _{+0.00} | 20.00 ^{+0.000} / _{-0.052} | 35.00 ^{+0.062} / _{+0.000} | 20.00 ^{+0.000} / _{-0.084} | 35.00 ^{+0.062} / _{+0.000} | 12.24 |
| MUUL-20X40X12 | 20 | 40 | 12 | 13.20 ^{+0.20} / _{+0.00} | 20.00 ^{+0.000} / _{-0.052} | 40.00 ^{+0.062} / _{+0.000} | 20.00 ^{+0.000} / _{-0.084} | 40.00 ^{+0.062} / _{+0.000} | 14.74 |
| MUUL-22X30X5 | 22 | 30 | 5 | 5.50 ^{+0.20} / _{+0.00} | 22.00 ^{+0.000} / _{-0.052} | 30.00 ^{+0.052} / _{+0.000} | 22.00 ^{+0.000} / _{-0.084} | 30.00 ^{+0.052} / _{+0.000} | 7.56 |
| MUUL-22X30X5.7 | 22 | 30 | 5.7 | 6.30 ^{+0.20} / _{+0.00} | 22.00 ^{+0.000} / _{-0.052} | 30.00 ^{+0.052} / _{+0.000} | 22.00 ^{+0.000} / _{-0.084} | 30.00 ^{+0.052} / _{+0.000} | 7.56 |
| MUUL-22X30X6 | 22 | 30 | 6 | 6.60 ^{+0.20} / _{+0.00} | 22.00 ^{+0.000} / _{-0.052} | 30.00 ^{+0.052} / _{+0.000} | 22.00 ^{+0.000} / _{-0.084} | 30.00 ^{+0.052} / _{+0.000} | 7.56 |
| MUUL-22X30X7 | 22 | 30 | 7 | 7.70 ^{+0.20} / _{+0.00} | 22.00 ^{+0.000} / _{-0.052} | 30.00 ^{+0.052} / _{+0.000} | 22.00 ^{+0.000} / _{-0.084} | 30.00 ^{+0.052} / _{+0.000} | 7.60 |
| MUUL-22X32X8 | 22 | 32 | 8 | 8.80 ^{+0.20} / _{+0.00} | 22.00 ^{+0.000} / _{-0.052} | 32.00 ^{+0.062} / _{+0.000} | 22.00 ^{+0.000} / _{-0.084} | 32.00 ^{+0.062} / _{+0.000} | 7.60 |
| MUUL-22X35X8 | 22 | 35 | 8 | 8.80 ^{+0.20} / _{+0.00} | 22.00 ^{+0.000} / _{-0.052} | 35.00 ^{+0.062} / _{+0.000} | 22.00 ^{+0.000} / _{-0.084} | 35.00 ^{+0.062} / _{+0.000} | 7.66 |
| MUUL-22X35X10 | 22 | 35 | 10 | 11.00 ^{+0.20} / _{+0.00} | 22.00 ^{+0.000} / _{-0.052} | 35.00 ^{+0.062} / _{+0.000} | 22.00 ^{+0.000} / _{-0.084} | 35.00 ^{+0.062} / _{+0.000} | 7.75 |
| MUUL-22X40X12 | 22 | 40 | 12 | 13.20 ^{+0.20} / _{+0.00} | 22.00 ^{+0.000} / _{-0.052} | 40.00 ^{+0.062} / _{+0.000} | 22.00 ^{+0.000} / _{-0.084} | 40.00 ^{+0.062} / _{+0.000} | 9.16 |
| MUUL-22.4X30X5 | 22.4 | 30 | 5 | 5.50 ^{+0.20} / _{+0.00} | 22.40 ^{+0.000} / _{-0.052} | 30.00 ^{+0.052} / _{+0.000} | 22.40 ^{+0.000} / _{-0.084} | 30.00 ^{+0.052} / _{+0.000} | 7.74 |
| MUUL-22.4X32.4X8 | 22.4 | 32.4 | 8 | 8.80 ^{+0.20} / _{+0.00} | 22.40 ^{+0.000} / _{-0.052} | 32.40 ^{+0.062} / _{+0.000} | 22.40 ^{+0.000} / _{-0.084} | 32.40 ^{+0.062} / _{+0.000} | 9.58 |
| MUUL-25X33X5 | 25 | 33 | 5 | 5.50 ^{+0.20} / _{+0.00} | 25.00 ^{+0.000} / _{-0.052} | 33.00 ^{+0.062} / _{+0.000} | 25.00 ^{+0.000} / _{-0.084} | 33.00 ^{+0.062} / _{+0.000} | 7.97 |
| MUUL-25X33X6 | 25 | 33 | 6 | 6.30 ^{+0.20} / _{+0.00} | 25.00 ^{+0.000} / _{-0.052} | 33.00 ^{+0.062} / _{+0.000} | 25.00 ^{+0.000} / _{-0.084} | 33.00 ^{+0.062} / _{+0.000} | 8.44 |
| MUUL-25X33X8 | 25 | 33 | 8 | 8.80 ^{+0.20} / _{+0.00} | 25.00 ^{+0.000} / _{-0.052} | 33.00 ^{+0.062} / _{+0.000} | 25.00 ^{+0.000} / _{-0.084} | 33.00 ^{+0.062} / _{+0.000} | 9.37 |
| MUUL-25X35X8 | 25 | 35 | 8 | 8.80 ^{+0.20} / _{+0.00} | 25.00 ^{+0.000} / _{-0.052} | 35.00 ^{+0.062} / _{+0.000} | 25.00 ^{+0.000} / _{-0.084} | 35.00 ^{+0.062} / _{+0.000} | 9.58 |
| MUUL-25X35X10 | 25 | 35 | 10 | 11.00 ^{+0.20} / _{+0.00} | 25.00 ^{+0.000} / _{-0.052} | 35.00 ^{+0.062} / _{+0.000} | 25.00 ^{+0.000} / _{-0.084} | 35.00 ^{+0.062} / _{+0.000} | 9.58 |
| MUUL-25X38X10 | 25 | 38 | 10 | 11.00 ^{+0.20} / _{+0.00} | 25.00 ^{+0.000} / _{-0.052} | 38.00 ^{+0.062} / _{+0.000} | 25.00 ^{+0.000} / _{-0.084} | 38.00 ^{+0.062} / _{+0.000} | 5.93 |
| MUUL-25X40X10 | 25 | 40 | 10 | 11.00 ^{+0.20} / _{+0.00} | 25.00 ^{+0.000} / _{-0.052} | 40.00 ^{+0.062} / _{+0.000} | 25.00 ^{+0.000} / _{-0.084} | 40.00 ^{+0.062} / _{+0.000} | 9.58 |
| MUUL-26X36X7 | 26 | 36 | 7 | 7.70 ^{+0.20} / _{+0.00} | 26.00 ^{+0.000} / _{-0.052} | 36.00 ^{+0.062} / _{+0.000} | 26.00 ^{+0.000} / _{-0.084} | 36.00 ^{+0.062} / _{+0.000} | 6.90 |
| MUUL-28X35.5X5 | 28 | 35.5 | 5 | 5.50 ^{+0.20} / _{+0.00} | 28.00 ^{+0.000} / _{-0.052} | 35.50 ^{+0.062} / _{+0.000} | 28.00 ^{+0.000} / _{-0.084} | 35.50 ^{+0.062} / _{+0.000} | 9.40 |
| MUUL-28X38X7.3 | 28 | 38 | 7.3 | 8.00 ^{+0.20} / _{+0.00} | 28.00 ^{+0.000} / _{-0.052} | 38.00 ^{+0.062} / _{+0.000} | 28.00 ^{+0.000} / _{-0.084} | 38.00 ^{+0.062} / _{+0.000} | 9.58 |
| MUUL-28X38X8 | 28 | 38 | 8 | 8.80 ^{+0.20} / _{+0.00} | 28.00 ^{+0.000} / _{-0.052} | 38.00 ^{+0.062} / _{+0.000} | 28.00 ^{+0.000} / _{-0.084} | 38.00 ^{+0.062} / _{+0.000} | 9.58 |
| MUUL-28X40X10 | 28 | 40 | 10 | 11.00 ^{+0.20} / _{+0.00} | 28.00 ^{+0.000} / _{-0.052} | 40.00 ^{+0.062} / _{+0.000} | 28.00 ^{+0.000} / _{-0.084} | 40.00 ^{+0.062} / _{+0.000} | 9.58 |
| MUUL-28X43X10 | 28 | 43 | 10 | 11.00 ^{+0.20} / _{+0.00} | 28.00 ^{+0.000} / _{-0.052} | 43.00 ^{+0.062} / _{+0.000} | 28.00 ^{+0.000} / _{-0.084} | 43.00 ^{+0.062} / _{+0.000} | 9.58 |
| MUUL-30X38X6.3 | 30 | 38 | 6.3 | 7.00 ^{+0.20} / _{+0.00} | 30.00 ^{+0.000} / _{-0.052} | 38.00 ^{+0.062} / _{+0.000} | 30.00 ^{+0.000} / _{-0.084} | 38.00 ^{+0.062} / _{+0.000} | 10.14 |
| MUUL-30X38X8 | 30 | 38 | 8 | 8.80 ^{+0.20} / _{+0.00} | 30.00 ^{+0.000} / _{-0.052} | 38.00 ^{+0.062} / _{+0.000} | 30.00 ^{+0.000} / _{-0.084} | 38.00 ^{+0.062} / _{+0.000} | 10.14 |
| MUUL-30X40X6 | 30 | 40 | 6 | 6.60 ^{+0.20} / _{+0.00} | 30.00 ^{+0.000} / _{-0.052} | 40.00 ^{+0.062} / _{+0.000} | 30.00 ^{+0.000} / _{-0.084} | 40.00 ^{+0.062} / _{+0.000} | 10.83 |
| MUUL-30X40X7 | 30 | 40 | 7 | 7.70 ^{+0.20} / _{+0.00} | 30.00 ^{+0.000} / _{-0.052} | 40.00 ^{+0.062} / _{+0.000} | 30.00 ^{+0.000} / _{-0.084} | 40.00 ^{+0.062} / _{+0.000} | 10.83 |

U-SEALS

FORMERLY LISTED SEALS ARE AVAILABLE ONLINE AT WWW.HERCULESUS.COM
OR BY CONTACTING YOUR REGIONAL HERCULES SALES TEAM.



STYLE MUUL LOADED SYMMETRICAL U-SEALS

| Part Number | A Nom. ID | B Nom. OD | C Nom. Ht | D GROOVE WIDTH | E ROD DIAMETER | G HOUSING DIAMETER | H GROOVE DIAMETER | J BORE DIAMETER | List Price |
|------------------|--------------|--------------|--------------|---|---|---|---|---|---------------|
| MUUL-30X40X7.3 | 30 | 40 | 7.3 | 8.00 ^{+0.20} / _{+0.00} | 30.00 ^{+0.000} / _{-0.052} | 40.00 ^{+0.062} / _{+0.000} | 30.00 ^{+0.000} / _{-0.084} | 40.00 ^{+0.062} / _{+0.000} | 10.83 |
| MUUL-30X40X10 | 30 | 40 | 10 | 11.00 ^{+0.20} / _{+0.00} | 30.00 ^{+0.000} / _{-0.052} | 40.00 ^{+0.062} / _{+0.000} | 30.00 ^{+0.000} / _{-0.084} | 40.00 ^{+0.062} / _{+0.000} | 10.22 |
| MUUL-30X42X9 | 30 | 42 | 9 | 9.90 ^{+0.20} / _{+0.00} | 30.00 ^{+0.000} / _{-0.052} | 42.00 ^{+0.062} / _{+0.000} | 30.00 ^{+0.000} / _{-0.084} | 42.00 ^{+0.062} / _{+0.000} | 11.12 |
| MUUL-30X42X10 | 30 | 42 | 10 | 11.00 ^{+0.20} / _{+0.00} | 30.00 ^{+0.000} / _{-0.052} | 42.00 ^{+0.062} / _{+0.000} | 30.00 ^{+0.000} / _{-0.084} | 42.00 ^{+0.062} / _{+0.000} | 11.12 |
| MUUL-30X45X10 | 30 | 45 | 10 | 11.00 ^{+0.20} / _{+0.00} | 30.00 ^{+0.000} / _{-0.052} | 45.00 ^{+0.062} / _{+0.000} | 30.00 ^{+0.000} / _{-0.084} | 45.00 ^{+0.062} / _{+0.000} | 8.17 |
| MUUL-30X50X10 | 30 | 50 | 10 | 11.00 ^{+0.20} / _{+0.00} | 30.00 ^{+0.000} / _{-0.052} | 50.00 ^{+0.062} / _{+0.000} | 30.00 ^{+0.000} / _{-0.084} | 50.00 ^{+0.062} / _{+0.000} | 8.98 |
| MUUL-31.5X41.5X6 | 31.5 | 41.5 | 6 | 6.60 ^{+0.20} / _{+0.00} | 31.50 ^{+0.000} / _{-0.062} | 41.50 ^{+0.062} / _{+0.000} | 31.50 ^{+0.00} / _{-0.10} | 41.50 ^{+0.062} / _{+0.000} | 10.83 |
| MUUL-32X40X5.7 | 32 | 40 | 5.7 | 6.30 ^{+0.20} / _{+0.00} | 32.00 ^{+0.000} / _{-0.062} | 40.00 ^{+0.062} / _{+0.000} | 32.00 ^{+0.00} / _{-0.10} | 40.00 ^{+0.062} / _{+0.000} | 8.68 |
| MUUL-32X40X8 | 32 | 40 | 8 | 8.80 ^{+0.20} / _{+0.00} | 32.00 ^{+0.000} / _{-0.062} | 40.00 ^{+0.062} / _{+0.000} | 32.00 ^{+0.00} / _{-0.10} | 40.00 ^{+0.062} / _{+0.000} | 8.68 |
| MUUL-32X42X7.3 | 32 | 42 | 7.3 | 8.00 ^{+0.20} / _{+0.00} | 32.00 ^{+0.000} / _{-0.062} | 42.00 ^{+0.062} / _{+0.000} | 32.00 ^{+0.00} / _{-0.10} | 42.00 ^{+0.062} / _{+0.000} | 11.12 |
| MUUL-32X42X10 | 32 | 42 | 10 | 11.00 ^{+0.20} / _{+0.00} | 32.00 ^{+0.000} / _{-0.062} | 42.00 ^{+0.062} / _{+0.000} | 32.00 ^{+0.00} / _{-0.10} | 42.00 ^{+0.062} / _{+0.000} | 7.73 |
| MUUL-32X47X10 | 32 | 47 | 10 | 11.00 ^{+0.20} / _{+0.00} | 32.00 ^{+0.000} / _{-0.062} | 47.00 ^{+0.062} / _{+0.000} | 32.00 ^{+0.00} / _{-0.10} | 47.00 ^{+0.062} / _{+0.000} | 8.89 |
| MUUL-32X48X10 | 32 | 48 | 10 | 11.00 ^{+0.20} / _{+0.00} | 32.00 ^{+0.000} / _{-0.062} | 48.00 ^{+0.062} / _{+0.000} | 32.00 ^{+0.00} / _{-0.10} | 48.00 ^{+0.062} / _{+0.000} | 13.01 |
| MUUL-35X43X6.4 | 35 | 43 | 6.4 | 7.00 ^{+0.20} / _{+0.00} | 35.00 ^{+0.000} / _{-0.062} | 43.00 ^{+0.062} / _{+0.000} | 35.00 ^{+0.00} / _{-0.10} | 43.00 ^{+0.062} / _{+0.000} | 8.68 |
| MUUL-35X43X8 | 35 | 43 | 8 | 8.80 ^{+0.20} / _{+0.00} | 35.00 ^{+0.000} / _{-0.062} | 43.00 ^{+0.062} / _{+0.000} | 35.00 ^{+0.00} / _{-0.10} | 43.00 ^{+0.062} / _{+0.000} | 8.68 |
| MUUL-35X45X6 | 35 | 45 | 6 | 6.60 ^{+0.20} / _{+0.00} | 35.00 ^{+0.000} / _{-0.062} | 45.00 ^{+0.062} / _{+0.000} | 35.00 ^{+0.00} / _{-0.10} | 45.00 ^{+0.062} / _{+0.000} | 11.53 |
| MUUL-35X45X7.3 | 35 | 45 | 7.3 | 8.00 ^{+0.20} / _{+0.00} | 35.00 ^{+0.000} / _{-0.062} | 45.00 ^{+0.062} / _{+0.000} | 35.00 ^{+0.00} / _{-0.10} | 45.00 ^{+0.062} / _{+0.000} | 11.53 |
| MUUL-35X45X8 | 35 | 45 | 8 | 8.80 ^{+0.20} / _{+0.00} | 35.00 ^{+0.000} / _{-0.062} | 45.00 ^{+0.062} / _{+0.000} | 35.00 ^{+0.00} / _{-0.10} | 45.00 ^{+0.062} / _{+0.000} | 11.53 |
| MUUL-35X45X10 | 35 | 45 | 10 | 11.00 ^{+0.20} / _{+0.00} | 35.00 ^{+0.000} / _{-0.062} | 45.00 ^{+0.062} / _{+0.000} | 35.00 ^{+0.00} / _{-0.10} | 45.00 ^{+0.062} / _{+0.000} | 11.06 |
| MUUL-35X50X10 | 35 | 50 | 10 | 11.00 ^{+0.20} / _{+0.00} | 35.00 ^{+0.000} / _{-0.062} | 50.00 ^{+0.062} / _{+0.000} | 35.00 ^{+0.00} / _{-0.10} | 50.00 ^{+0.062} / _{+0.000} | 9.00 |
| MUUL-35X55X10 | 35 | 55 | 10 | 11.00 ^{+0.20} / _{+0.00} | 35.00 ^{+0.000} / _{-0.062} | 55.00 ^{+0.074} / _{+0.000} | 35.00 ^{+0.00} / _{-0.10} | 55.00 ^{+0.074} / _{+0.000} | 13.29 |
| MUUL-36X44X6 | 36 | 44 | 6 | 6.60 ^{+0.20} / _{+0.00} | 36.00 ^{+0.000} / _{-0.062} | 44.00 ^{+0.062} / _{+0.000} | 36.00 ^{+0.00} / _{-0.10} | 44.00 ^{+0.062} / _{+0.000} | 7.38 |
| MUUL-36X44X8 | 36 | 44 | 8 | 8.80 ^{+0.20} / _{+0.00} | 36.00 ^{+0.000} / _{-0.062} | 44.00 ^{+0.062} / _{+0.000} | 36.00 ^{+0.00} / _{-0.10} | 44.00 ^{+0.062} / _{+0.000} | 7.38 |
| MUUL-36X46X10 | 36 | 46 | 10 | 11.00 ^{+0.20} / _{+0.00} | 36.00 ^{+0.000} / _{-0.062} | 46.00 ^{+0.062} / _{+0.000} | 36.00 ^{+0.00} / _{-0.10} | 46.00 ^{+0.062} / _{+0.000} | 12.47 |
| MUUL-40X48X6 | 40 | 48 | 6 | 6.60 ^{+0.20} / _{+0.00} | 40.00 ^{+0.000} / _{-0.062} | 48.00 ^{+0.062} / _{+0.000} | 40.00 ^{+0.00} / _{-0.10} | 48.00 ^{+0.062} / _{+0.000} | 8.16 |
| MUUL-40X48X8 | 40 | 48 | 8 | 8.80 ^{+0.20} / _{+0.00} | 40.00 ^{+0.000} / _{-0.062} | 48.00 ^{+0.062} / _{+0.000} | 40.00 ^{+0.00} / _{-0.10} | 48.00 ^{+0.062} / _{+0.000} | 8.16 |
| MUUL-40X50X6 | 40 | 50 | 6 | 6.60 ^{+0.20} / _{+0.00} | 40.00 ^{+0.000} / _{-0.062} | 50.00 ^{+0.062} / _{+0.000} | 40.00 ^{+0.00} / _{-0.10} | 50.00 ^{+0.062} / _{+0.000} | 11.90 |
| MUUL-40X50X6.5 | 40 | 50 | 6.5 | 7.20 ^{+0.20} / _{+0.00} | 40.00 ^{+0.000} / _{-0.062} | 50.00 ^{+0.062} / _{+0.000} | 40.00 ^{+0.00} / _{-0.10} | 50.00 ^{+0.062} / _{+0.000} | 11.90 |
| MUUL-40X50X7.3 | 40 | 50 | 7.3 | 8.00 ^{+0.20} / _{+0.00} | 40.00 ^{+0.000} / _{-0.062} | 50.00 ^{+0.062} / _{+0.000} | 40.00 ^{+0.00} / _{-0.10} | 50.00 ^{+0.062} / _{+0.000} | 12.44 |
| MUUL-40X50X7.3HT | 40 | 50 | 7.3 | 8.00 ^{+0.25} / _{+0.00} | 40.00 ^{+0.000} / _{-0.062} | 50.00 ^{+0.062} / _{+0.000} | 40.00 ^{+0.00} / _{-0.10} | 50.00 ^{+0.062} / _{+0.000} | 13.14 |
| MUUL-40X50X8 | 40 | 50 | 8 | 8.80 ^{+0.20} / _{+0.00} | 40.00 ^{+0.000} / _{-0.062} | 50.00 ^{+0.062} / _{+0.000} | 40.00 ^{+0.00} / _{-0.10} | 50.00 ^{+0.062} / _{+0.000} | 12.44 |
| MUUL-40X50X10 | 40 | 50 | 10 | 11.00 ^{+0.20} / _{+0.00} | 40.00 ^{+0.000} / _{-0.062} | 50.00 ^{+0.062} / _{+0.000} | 40.00 ^{+0.00} / _{-0.10} | 50.00 ^{+0.062} / _{+0.000} | 12.44 |
| MUUL-40X53X8 | 40 | 53 | 8 | 8.80 ^{+0.20} / _{+0.00} | 40.00 ^{+0.000} / _{-0.062} | 53.00 ^{+0.074} / _{+0.000} | 40.00 ^{+0.00} / _{-0.10} | 53.00 ^{+0.074} / _{+0.000} | 13.06 |

NORTH AMERICA
PHONE 1-800-777-5617
FAX 1-800-759-6391

SALES OFFICE HOURS
8 A.M. TO 7:30 P.M. EASTERN TIME
www.HerculesUS.com

WORLDWIDE
PHONE 1-727-796-1300
FAX 1-727-797-8849



STYLE MUUL LOADED SYMMETRICAL U-SEALS

| Part Number | A Nom. ID | B Nom. OD | C Nom. Ht | D GROOVE WIDTH | E ROD DIAMETER | G HOUSING DIAMETER | H GROOVE DIAMETER | J BORE DIAMETER | List Price |
|-------------------|--------------|--------------|--------------|----------------------|------------------------|--------------------------|-------------------------|------------------------|---------------|
| MUUL-40X55X9 | 40 | 55 | 9 | 9.90 +0.20 +0.00 | 40.00 +0.000 -0.062 | 55.00 +0.074 +0.000 | 40.00 +0.00 -0.10 | 55.00 +0.074 +0.000 | 13.06 |
| MUUL-40X55X10 | 40 | 55 | 10 | 11.00 +0.20 +0.00 | 40.00 +0.000 -0.062 | 55.00 +0.074 +0.000 | 40.00 +0.00 -0.10 | 55.00 +0.074 +0.000 | 12.65 |
| MUUL-40X60X12 | 40 | 60 | 12 | 13.20 +0.20 +0.00 | 40.00 +0.000 -0.062 | 60.00 +0.074 +0.000 | 40.00 +0.00 -0.10 | 60.00 +0.074 +0.000 | 14.33 |
| MUUL-42X50X6 | 42 | 50 | 6 | 6.60 +0.20 +0.00 | 42.00 +0.000 -0.062 | 50.00 +0.062 +0.000 | 42.00 +0.00 -0.10 | 50.00 +0.062 +0.000 | 12.01 |
| MUUL-42X55X7 | 42 | 55 | 7 | 7.70 +0.20 +0.00 | 42.00 +0.000 -0.062 | 55.00 +0.074 +0.000 | 42.00 +0.00 -0.10 | 55.00 +0.074 +0.000 | 13.06 |
| MUUL-45X53X8 | 45 | 53 | 8 | 8.80 +0.20 +0.00 | 45.00 +0.000 -0.062 | 53.00 +0.074 +0.000 | 45.00 +0.00 -0.10 | 53.00 +0.074 +0.000 | 10.42 |
| MUUL-45X53X8HT | 45 | 53 | 8 | 9.00 +0.25 +0.00 | 45.00 +0.000 -0.062 | 53.00 +0.074 +0.000 | 45.00 +0.00 -0.10 | 53.00 +0.074 +0.000 | 12.52 |
| MUUL-45X55X6 | 45 | 55 | 6 | 6.60 +0.20 +0.00 | 45.00 +0.000 -0.062 | 55.00 +0.074 +0.000 | 45.00 +0.00 -0.10 | 55.00 +0.074 +0.000 | 12.65 |
| MUUL-45X55X7.3 | 45 | 55 | 7.3 | 8.00 +0.20 +0.00 | 45.00 +0.000 -0.062 | 55.00 +0.074 +0.000 | 45.00 +0.00 -0.10 | 55.00 +0.074 +0.000 | 12.65 |
| MUUL-45X55X10 | 45 | 55 | 10 | 11.00 +0.20 +0.00 | 45.00 +0.000 -0.062 | 55.00 +0.074 +0.000 | 45.00 +0.00 -0.10 | 55.00 +0.074 +0.000 | 16.16 |
| MUUL-45X56X7 | 45 | 56 | 7 | 7.70 +0.20 +0.00 | 45.00 +0.000 -0.062 | 56.00 +0.074 +0.000 | 45.00 +0.00 -0.10 | 56.00 +0.074 +0.000 | 12.77 |
| MUUL-45X60X9 | 45 | 60 | 9 | 9.90 +0.20 +0.00 | 45.00 +0.000 -0.062 | 60.00 +0.074 +0.000 | 45.00 +0.00 -0.10 | 60.00 +0.074 +0.000 | 16.16 |
| MUUL-45X60X10 | 45 | 60 | 10 | 11.00 +0.20 +0.00 | 45.00 +0.000 -0.062 | 60.00 +0.074 +0.000 | 45.00 +0.00 -0.10 | 60.00 +0.074 +0.000 | 16.45 |
| MUUL-45X65X12 | 45 | 65 | 12 | 13.20 +0.20 +0.00 | 45.00 +0.000 -0.062 | 65.00 +0.074 +0.000 | 45.00 +0.00 -0.10 | 65.00 +0.074 +0.000 | 18.23 |
| MUUL-50X60X6 | 50 | 60 | 6 | 6.60 +0.20 +0.00 | 50.00 +0.000 -0.062 | 60.00 +0.074 +0.000 | 50.00 +0.00 -0.10 | 60.00 +0.074 +0.000 | 12.84 |
| MUUL-50X60X7.3 | 50 | 60 | 7.3 | 8.00 +0.20 +0.00 | 50.00 +0.000 -0.062 | 60.00 +0.074 +0.000 | 50.00 +0.00 -0.10 | 60.00 +0.074 +0.000 | 15.01 |
| MUUL-50X60X10 | 50 | 60 | 10 | 11.00 +0.20 +0.00 | 50.00 +0.000 -0.062 | 60.00 +0.074 +0.000 | 50.00 +0.00 -0.10 | 60.00 +0.074 +0.000 | 12.21 |
| MUUL-50X63X10 | 50 | 63 | 10 | 11.00 +0.20 +0.00 | 50.00 +0.000 -0.062 | 63.00 +0.074 +0.000 | 50.00 +0.00 -0.10 | 63.00 +0.074 +0.000 | 12.83 |
| MUUL-50X65X9 | 50 | 65 | 9 | 9.90 +0.20 +0.00 | 50.00 +0.000 -0.062 | 65.00 +0.074 +0.000 | 50.00 +0.00 -0.10 | 65.00 +0.074 +0.000 | 16.93 |
| MUUL-50X65X10 | 50 | 65 | 10 | 11.00 +0.20 +0.00 | 50.00 +0.000 -0.062 | 65.00 +0.074 +0.000 | 50.00 +0.00 -0.10 | 65.00 +0.074 +0.000 | 18.18 |
| MUUL-50X65X11.4 | 50 | 65 | 11.4 | 12.50 +0.20 +0.00 | 50.00 +0.000 -0.062 | 65.00 +0.074 +0.000 | 50.00 +0.00 -0.10 | 65.00 +0.074 +0.000 | 19.93 |
| MUUL-50X70X12 | 50 | 70 | 12 | 13.20 +0.20 +0.00 | 50.00 +0.000 -0.062 | 70.00 +0.074 +0.000 | 50.00 +0.00 -0.10 | 70.00 +0.074 +0.000 | 19.12 |
| MUUL-53X63X6 | 53 | 63 | 6 | 6.60 +0.20 +0.00 | 53.00 +0.000 -0.074 | 63.00 +0.074 +0.000 | 53.00 +0.00 -0.12 | 63.00 +0.074 +0.000 | 13.26 |
| MUUL-55X65X6 | 55 | 65 | 6 | 6.60 +0.20 +0.00 | 55.00 +0.000 -0.074 | 65.00 +0.074 +0.000 | 55.00 +0.00 -0.12 | 65.00 +0.074 +0.000 | 14.39 |
| MUUL-55X65X10 | 55 | 65 | 10 | 11.00 +0.20 +0.00 | 55.00 +0.000 -0.074 | 65.00 +0.074 +0.000 | 55.00 +0.00 -0.12 | 65.00 +0.074 +0.000 | 18.57 |
| MUUL-55X65X12 | 55 | 65 | 12 | 13.20 +0.20 +0.00 | 55.00 +0.000 -0.074 | 65.00 +0.074 +0.000 | 55.00 +0.00 -0.12 | 65.00 +0.074 +0.000 | 20.67 |
| MUUL-55X70X9 | 55 | 70 | 9 | 9.90 +0.20 +0.00 | 55.00 +0.000 -0.074 | 70.00 +0.074 +0.000 | 55.00 +0.00 -0.12 | 70.00 +0.074 +0.000 | 18.02 |
| MUUL-55X70X12 | 55 | 70 | 12 | 13.20 +0.20 +0.00 | 55.00 +0.000 -0.074 | 70.00 +0.074 +0.000 | 55.00 +0.00 -0.12 | 70.00 +0.074 +0.000 | 16.23 |
| MUUL-55X75X12 | 55 | 75 | 12 | 13.20 +0.20 +0.00 | 55.00 +0.000 -0.074 | 75.00 +0.074 +0.000 | 55.00 +0.00 -0.12 | 75.00 +0.074 +0.000 | 21.66 |
| MUUL-56X66X6 | 56 | 66 | 6 | 6.60 +0.20 +0.00 | 56.00 +0.000 -0.074 | 66.00 +0.074 +0.000 | 56.00 +0.00 -0.12 | 66.00 +0.074 +0.000 | 13.77 |
| MUUL-56X66X10 | 56 | 66 | 10 | 11.00 +0.20 +0.00 | 56.00 +0.000 -0.074 | 66.00 +0.074 +0.000 | 56.00 +0.00 -0.12 | 66.00 +0.074 +0.000 | 13.95 |
| MUUL-56X71X10.6HT | 56 | 71 | 10.6 | 12.00 +0.25 +0.00 | 56.00 +0.000 -0.074 | 71.00 +0.074 +0.000 | 56.00 +0.00 -0.12 | 71.00 +0.074 +0.000 | 13.95 |
| MUUL-56X71X11.4 | 56 | 71 | 11.4 | 12.50 +0.20 +0.00 | 56.00 +0.000 -0.074 | 71.00 +0.074 +0.000 | 56.00 +0.00 -0.12 | 71.00 +0.074 +0.000 | 16.55 |

U-SEALS

FORMERLY LISTED SEALS ARE AVAILABLE ONLINE AT WWW.HERCULESUS.COM
OR BY CONTACTING YOUR REGIONAL HERCULES SALES TEAM.



STYLE MUUL LOADED SYMMETRICAL U-SEALS

| Part Number | A Nom. ID | B Nom. OD | C Nom. Ht | D GROOVE WIDTH | E ROD DIAMETER | G HOUSING DIAMETER | H GROOVE DIAMETER | J BORE DIAMETER | List Price |
|-------------------|--------------|--------------|--------------|----------------------|------------------------|--------------------------|----------------------|------------------------|---------------|
| MUUL-60X70X6 | 60 | 70 | 6 | 6.60 +0.20 +0.00 | 60.00 +0.000 -0.074 | 70.00 +0.074 +0.000 | 60.00 +0.00 -0.12 | 70.00 +0.074 +0.000 | 13.98 |
| MUUL-60X70X8 | 60 | 70 | 8 | 8.80 +0.20 +0.00 | 60.00 +0.000 -0.074 | 70.00 +0.074 +0.000 | 60.00 +0.00 -0.12 | 70.00 +0.074 +0.000 | 13.98 |
| MUUL-60X70X10 | 60 | 70 | 10 | 11.00 +0.20 +0.00 | 60.00 +0.000 -0.074 | 70.00 +0.074 +0.000 | 60.00 +0.00 -0.12 | 70.00 +0.074 +0.000 | 13.41 |
| MUUL-60X70X12 | 60 | 70 | 12 | 13.20 +0.20 +0.00 | 60.00 +0.000 -0.074 | 70.00 +0.074 +0.000 | 60.00 +0.00 -0.12 | 70.00 +0.074 +0.000 | 13.98 |
| MUUL-60X71X7 | 60 | 71 | 7 | 7.70 +0.20 +0.00 | 60.00 +0.000 -0.074 | 71.00 +0.074 +0.000 | 60.00 +0.00 -0.12 | 71.00 +0.074 +0.000 | 12.44 |
| MUUL-60X73X10 | 60 | 73 | 10 | 11.00 +0.20 +0.00 | 60.00 +0.000 -0.074 | 73.00 +0.074 +0.000 | 60.00 +0.00 -0.12 | 73.00 +0.074 +0.000 | 16.25 |
| MUUL-60X75X9 | 60 | 75 | 9 | 9.90 +0.20 +0.00 | 60.00 +0.000 -0.074 | 75.00 +0.074 +0.000 | 60.00 +0.00 -0.12 | 75.00 +0.074 +0.000 | 18.69 |
| MUUL-60X75X11 | 60 | 75 | 11 | 12.10 +0.20 +0.00 | 60.00 +0.000 -0.074 | 75.00 +0.074 +0.000 | 60.00 +0.00 -0.12 | 75.00 +0.074 +0.000 | 18.69 |
| MUUL-60X80X12 | 60 | 80 | 12 | 13.20 +0.20 +0.00 | 60.00 +0.000 -0.074 | 80.00 +0.074 +0.000 | 60.00 +0.00 -0.12 | 80.00 +0.074 +0.000 | 19.47 |
| MUUL-63X78X10.6HT | 63 | 78 | 10.6 | 12.00 +0.25 +0.00 | 63.00 +0.000 -0.074 | 78.00 +0.074 +0.000 | 63.00 +0.00 -0.12 | 78.00 +0.074 +0.000 | 22.32 |
| MUUL-63X78X11.4 | 63 | 78 | 11.4 | 12.50 +0.20 +0.00 | 63.00 +0.000 -0.074 | 78.00 +0.074 +0.000 | 63.00 +0.00 -0.12 | 78.00 +0.074 +0.000 | 18.11 |
| MUUL-63X83X15 | 63 | 83 | 15 | 16.50 +0.20 +0.00 | 63.00 +0.000 -0.074 | 83.00 +0.087 +0.000 | 63.00 +0.00 -0.12 | 83.00 +0.087 +0.000 | 20.97 |
| MUUL-65X75X6 | 65 | 75 | 6 | 6.60 +0.20 +0.00 | 65.00 +0.000 -0.074 | 75.00 +0.074 +0.000 | 65.00 +0.00 -0.12 | 75.00 +0.074 +0.000 | 15.68 |
| MUUL-65X75X12 | 65 | 75 | 12 | 13.20 +0.20 +0.00 | 65.00 +0.000 -0.074 | 75.00 +0.074 +0.000 | 65.00 +0.00 -0.12 | 75.00 +0.074 +0.000 | 15.91 |
| MUUL-65X78X10 | 65 | 78 | 10 | 11.00 +0.20 +0.00 | 65.00 +0.000 -0.074 | 78.00 +0.074 +0.000 | 65.00 +0.00 -0.12 | 78.00 +0.074 +0.000 | 17.64 |
| MUUL-65X80X9 | 65 | 80 | 9 | 9.90 +0.20 +0.00 | 65.00 +0.000 -0.074 | 80.00 +0.074 +0.000 | 65.00 +0.00 -0.12 | 80.00 +0.074 +0.000 | 20.71 |
| MUUL-65X80X11.4 | 65 | 80 | 11.4 | 12.50 +0.20 +0.00 | 65.00 +0.000 -0.074 | 80.00 +0.074 +0.000 | 65.00 +0.00 -0.12 | 80.00 +0.074 +0.000 | 20.71 |
| MUUL-65X80X12 | 65 | 80 | 12 | 13.20 +0.20 +0.00 | 65.00 +0.000 -0.074 | 80.00 +0.074 +0.000 | 65.00 +0.00 -0.12 | 80.00 +0.074 +0.000 | 18.43 |
| MUUL-65X85X12 | 65 | 85 | 12 | 13.20 +0.20 +0.00 | 65.00 +0.000 -0.074 | 85.00 +0.087 +0.000 | 65.00 +0.00 -0.12 | 85.00 +0.087 +0.000 | 22.29 |
| MUUL-70X80X6 | 70 | 80 | 6 | 6.60 +0.20 +0.00 | 70.00 +0.000 -0.074 | 80.00 +0.074 +0.000 | 70.00 +0.00 -0.12 | 80.00 +0.074 +0.000 | 17.10 |
| MUUL-70X80X10 | 70 | 80 | 10 | 11.00 +0.20 +0.00 | 70.00 +0.000 -0.074 | 80.00 +0.074 +0.000 | 70.00 +0.00 -0.12 | 80.00 +0.074 +0.000 | 17.12 |
| MUUL-70X80X12 | 70 | 80 | 12 | 13.20 +0.20 +0.00 | 70.00 +0.000 -0.074 | 80.00 +0.074 +0.000 | 70.00 +0.00 -0.12 | 80.00 +0.074 +0.000 | 21.98 |
| MUUL-70X83X10 | 70 | 83 | 10 | 11.00 +0.20 +0.00 | 70.00 +0.000 -0.074 | 83.00 +0.087 +0.000 | 70.00 +0.00 -0.12 | 83.00 +0.087 +0.000 | 18.98 |
| MUUL-70X85X9 | 70 | 85 | 9 | 9.90 +0.20 +0.00 | 70.00 +0.000 -0.074 | 85.00 +0.087 +0.000 | 70.00 +0.00 -0.12 | 85.00 +0.087 +0.000 | 20.79 |
| MUUL-70X85X10 | 70 | 85 | 10 | 11.00 +0.20 +0.00 | 70.00 +0.000 -0.074 | 85.00 +0.087 +0.000 | 70.00 +0.00 -0.12 | 85.00 +0.087 +0.000 | 22.96 |
| MUUL-70X85X11.4 | 70 | 85 | 11.4 | 12.50 +0.20 +0.00 | 70.00 +0.000 -0.074 | 85.00 +0.087 +0.000 | 70.00 +0.00 -0.12 | 85.00 +0.087 +0.000 | 16.29 |
| MUUL-70X90X12 | 70 | 90 | 12 | 13.20 +0.20 +0.00 | 70.00 +0.000 -0.074 | 90.00 +0.087 +0.000 | 70.00 +0.00 -0.12 | 90.00 +0.087 +0.000 | 27.01 |
| MUUL-71X80X6 | 71 | 80 | 6 | 6.60 +0.20 +0.00 | 71.00 +0.000 -0.074 | 80.00 +0.074 +0.000 | 71.00 +0.00 -0.12 | 80.00 +0.074 +0.000 | 14.56 |
| MUUL-75X85X6 | 75 | 85 | 6 | 6.60 +0.20 +0.00 | 75.00 +0.000 -0.074 | 85.00 +0.087 +0.000 | 75.00 +0.00 -0.12 | 85.00 +0.087 +0.000 | 17.75 |
| MUUL-75X85X12 | 75 | 85 | 12 | 13.20 +0.20 +0.00 | 75.00 +0.000 -0.074 | 85.00 +0.087 +0.000 | 75.00 +0.00 -0.12 | 85.00 +0.087 +0.000 | 23.28 |
| MUUL-75X88X10 | 75 | 88 | 10 | 11.00 +0.20 +0.00 | 75.00 +0.000 -0.074 | 88.00 +0.087 +0.000 | 75.00 +0.00 -0.12 | 88.00 +0.087 +0.000 | 17.95 |
| MUUL-75X90X9 | 75 | 90 | 9 | 9.90 +0.20 +0.00 | 75.00 +0.000 -0.074 | 90.00 +0.087 +0.000 | 75.00 +0.00 -0.12 | 90.00 +0.087 +0.000 | 24.34 |
| MUUL-75X95X12 | 75 | 95 | 12 | 13.20 +0.20 +0.00 | 75.00 +0.000 -0.074 | 95.00 +0.087 +0.000 | 75.00 +0.00 -0.12 | 95.00 +0.087 +0.000 | 28.44 |

U-SEALS

NORTH AMERICA
PHONE 1-800-777-5617
FAX 1-800-759-6391

SALES OFFICE HOURS
8 A.M. TO 7:30 P.M. EASTERN TIME
www.HerculesUS.com

WORLDWIDE
PHONE 1-727-796-1300
FAX 1-727-797-8849



STYLE MUUL LOADED SYMMETRICAL U-SEALS

| Part Number | A Nom. ID | B Nom. OD | C Nom. Ht | D GROOVE WIDTH | E ROD DIAMETER | G HOUSING DIAMETER | H GROOVE DIAMETER | J BORE DIAMETER | List Price |
|-------------------|--------------|--------------|--------------|---|--|--|--|--|---------------|
| MUUL-80X90X6 | 80 | 90 | 6 | 6.60 ^{+0.20} / _{+0.00} | 80.00 ^{+0.000} / _{-0.074} | 90.00 ^{+0.087} / _{+0.000} | 80.00 ^{+0.00} / _{-0.12} | 90.00 ^{+0.087} / _{+0.000} | 18.73 |
| MUUL-80X90X8 | 80 | 90 | 8 | 8.80 ^{+0.20} / _{+0.00} | 80.00 ^{+0.000} / _{-0.074} | 90.00 ^{+0.087} / _{+0.000} | 80.00 ^{+0.00} / _{-0.12} | 90.00 ^{+0.087} / _{+0.000} | 19.15 |
| MUUL-80X90X10 | 80 | 90 | 10 | 11.00 ^{+0.20} / _{+0.00} | 80.00 ^{+0.000} / _{-0.074} | 90.00 ^{+0.087} / _{+0.000} | 80.00 ^{+0.00} / _{-0.12} | 90.00 ^{+0.087} / _{+0.000} | 19.15 |
| MUUL-80X93X10 | 80 | 93 | 10 | 11.00 ^{+0.20} / _{+0.00} | 80.00 ^{+0.000} / _{-0.074} | 93.00 ^{+0.087} / _{+0.000} | 80.00 ^{+0.00} / _{-0.12} | 93.00 ^{+0.087} / _{+0.000} | 21.24 |
| MUUL-80X95X9 | 80 | 95 | 9 | 9.90 ^{+0.20} / _{+0.00} | 80.00 ^{+0.000} / _{-0.074} | 95.00 ^{+0.087} / _{+0.000} | 80.00 ^{+0.00} / _{-0.12} | 95.00 ^{+0.087} / _{+0.000} | 22.42 |
| MUUL-80X95X10 | 80 | 95 | 10 | 11.00 ^{+0.20} / _{+0.00} | 80.00 ^{+0.000} / _{-0.074} | 95.00 ^{+0.087} / _{+0.000} | 80.00 ^{+0.00} / _{-0.12} | 95.00 ^{+0.087} / _{+0.000} | 22.42 |
| MUUL-80X95X11 | 80 | 95 | 11 | 12.10 ^{+0.20} / _{+0.00} | 80.00 ^{+0.000} / _{-0.074} | 95.00 ^{+0.087} / _{+0.000} | 80.00 ^{+0.00} / _{-0.12} | 95.00 ^{+0.087} / _{+0.000} | 22.42 |
| MUUL-80X95X11.4 | 80 | 95 | 11.4 | 12.50 ^{+0.20} / _{+0.00} | 80.00 ^{+0.000} / _{-0.074} | 95.00 ^{+0.087} / _{+0.000} | 80.00 ^{+0.00} / _{-0.12} | 95.00 ^{+0.087} / _{+0.000} | 22.42 |
| MUUL-80X100X12 | 80 | 100 | 12 | 13.20 ^{+0.20} / _{+0.00} | 80.00 ^{+0.000} / _{-0.074} | 100.00 ^{+0.087} / _{+0.000} | 80.00 ^{+0.00} / _{-0.12} | 100.00 ^{+0.087} / _{+0.000} | 27.53 |
| MUUL-85X100X9 | 85 | 100 | 9 | 9.90 ^{+0.20} / _{+0.00} | 85.00 ^{+0.000} / _{-0.087} | 100.00 ^{+0.087} / _{+0.000} | 85.00 ^{+0.00} / _{-0.14} | 100.00 ^{+0.087} / _{+0.000} | 26.70 |
| MUUL-85X100X10 | 85 | 100 | 10 | 11.00 ^{+0.20} / _{+0.00} | 85.00 ^{+0.000} / _{-0.087} | 100.00 ^{+0.087} / _{+0.000} | 85.00 ^{+0.00} / _{-0.14} | 100.00 ^{+0.087} / _{+0.000} | 23.75 |
| MUUL-85X100X12.5 | 85 | 100 | 12.5 | 13.75 ^{+0.20} / _{+0.00} | 85.00 ^{+0.000} / _{-0.087} | 100.00 ^{+0.087} / _{+0.000} | 85.00 ^{+0.00} / _{-0.14} | 100.00 ^{+0.087} / _{+0.000} | 32.72 |
| MUUL-85X105X12 | 85 | 105 | 12 | 13.20 ^{+0.20} / _{+0.00} | 85.00 ^{+0.000} / _{-0.087} | 105.00 ^{+0.087} / _{+0.000} | 85.00 ^{+0.00} / _{-0.14} | 105.00 ^{+0.087} / _{+0.000} | 32.72 |
| MUUL-90X100X6 | 90 | 100 | 6 | 6.60 ^{+0.20} / _{+0.00} | 90.00 ^{+0.000} / _{-0.087} | 100.00 ^{+0.087} / _{+0.000} | 90.00 ^{+0.00} / _{-0.14} | 100.00 ^{+0.087} / _{+0.000} | 29.02 |
| MUUL-90X105X9 | 90 | 105 | 9 | 9.90 ^{+0.20} / _{+0.00} | 90.00 ^{+0.000} / _{-0.087} | 105.00 ^{+0.087} / _{+0.000} | 90.00 ^{+0.00} / _{-0.14} | 105.00 ^{+0.087} / _{+0.000} | 29.57 |
| MUUL-90X105X10 | 90 | 105 | 10 | 11.00 ^{+0.20} / _{+0.00} | 90.00 ^{+0.000} / _{-0.087} | 105.00 ^{+0.087} / _{+0.000} | 90.00 ^{+0.00} / _{-0.14} | 105.00 ^{+0.087} / _{+0.000} | 25.11 |
| MUUL-90X110X12 | 90 | 110 | 12 | 13.20 ^{+0.20} / _{+0.00} | 90.00 ^{+0.000} / _{-0.087} | 110.00 ^{+0.087} / _{+0.000} | 90.00 ^{+0.00} / _{-0.14} | 110.00 ^{+0.087} / _{+0.000} | 41.93 |
| MUUL-95X110X10 | 95 | 110 | 10 | 11.00 ^{+0.20} / _{+0.00} | 95.00 ^{+0.000} / _{-0.087} | 110.00 ^{+0.087} / _{+0.000} | 95.00 ^{+0.00} / _{-0.14} | 110.00 ^{+0.087} / _{+0.000} | 27.64 |
| MUUL-95X115X12 | 95 | 115 | 12 | 13.20 ^{+0.20} / _{+0.00} | 95.00 ^{+0.000} / _{-0.087} | 115.00 ^{+0.087} / _{+0.000} | 95.00 ^{+0.00} / _{-0.14} | 115.00 ^{+0.087} / _{+0.000} | 41.93 |
| MUUL-100X115X9 | 100 | 115 | 9 | 9.90 ^{+0.20} / _{+0.00} | 100.00 ^{+0.000} / _{-0.087} | 115.00 ^{+0.087} / _{+0.000} | 100.00 ^{+0.00} / _{-0.14} | 115.00 ^{+0.087} / _{+0.000} | 33.15 |
| MUUL-100X115X10 | 100 | 115 | 10 | 11.00 ^{+0.20} / _{+0.00} | 100.00 ^{+0.000} / _{-0.087} | 115.00 ^{+0.087} / _{+0.000} | 100.00 ^{+0.00} / _{-0.14} | 115.00 ^{+0.087} / _{+0.000} | 28.97 |
| MUUL-100X115X12 | 100 | 115 | 12 | 13.20 ^{+0.20} / _{+0.00} | 100.00 ^{+0.000} / _{-0.087} | 115.00 ^{+0.087} / _{+0.000} | 100.00 ^{+0.00} / _{-0.14} | 115.00 ^{+0.087} / _{+0.000} | 28.97 |
| MUUL-100X120X12 | 100 | 120 | 12 | 13.20 ^{+0.20} / _{+0.00} | 100.00 ^{+0.000} / _{-0.087} | 120.00 ^{+0.087} / _{+0.000} | 100.00 ^{+0.00} / _{-0.14} | 120.00 ^{+0.087} / _{+0.000} | 35.13 |
| MUUL-105X120X9 | 105 | 120 | 9 | 9.90 ^{+0.20} / _{+0.00} | 105.00 ^{+0.000} / _{-0.087} | 120.00 ^{+0.087} / _{+0.000} | 105.00 ^{+0.00} / _{-0.14} | 120.00 ^{+0.087} / _{+0.000} | 35.36 |
| MUUL-105X120X10 | 105 | 120 | 10 | 11.00 ^{+0.20} / _{+0.00} | 105.00 ^{+0.000} / _{-0.087} | 120.00 ^{+0.087} / _{+0.000} | 105.00 ^{+0.00} / _{-0.14} | 120.00 ^{+0.087} / _{+0.000} | 30.07 |
| MUUL-105X125X12 | 105 | 125 | 12 | 13.20 ^{+0.20} / _{+0.00} | 105.00 ^{+0.000} / _{-0.087} | 125.00 ^{+0.10} / _{+0.00} | 105.00 ^{+0.00} / _{-0.14} | 125.00 ^{+0.10} / _{+0.00} | 31.83 |
| MUUL-105X125X15 | 105 | 125 | 15 | 16.50 ^{+0.20} / _{+0.00} | 105.00 ^{+0.000} / _{-0.087} | 125.00 ^{+0.10} / _{+0.00} | 105.00 ^{+0.00} / _{-0.14} | 125.00 ^{+0.10} / _{+0.00} | 35.36 |
| MUUL-110X125X9 | 110 | 125 | 9 | 9.90 ^{+0.20} / _{+0.00} | 110.00 ^{+0.000} / _{-0.087} | 125.00 ^{+0.10} / _{+0.00} | 110.00 ^{+0.00} / _{-0.14} | 125.00 ^{+0.10} / _{+0.00} | 36.46 |
| MUUL-110X125X10 | 110 | 125 | 10 | 11.00 ^{+0.20} / _{+0.00} | 110.00 ^{+0.000} / _{-0.087} | 125.00 ^{+0.10} / _{+0.00} | 110.00 ^{+0.00} / _{-0.14} | 125.00 ^{+0.10} / _{+0.00} | 31.88 |
| MUUL-110X125X12 | 110 | 125 | 12 | 13.20 ^{+0.20} / _{+0.00} | 110.00 ^{+0.000} / _{-0.087} | 125.00 ^{+0.10} / _{+0.00} | 110.00 ^{+0.00} / _{-0.14} | 125.00 ^{+0.10} / _{+0.00} | 31.88 |
| MUUL-110X130X10 | 110 | 130 | 10 | 11.00 ^{+0.20} / _{+0.00} | 110.00 ^{+0.000} / _{-0.087} | 130.00 ^{+0.10} / _{+0.00} | 110.00 ^{+0.00} / _{-0.14} | 130.00 ^{+0.10} / _{+0.00} | 42.89 |
| MUUL-110X130X12 | 110 | 130 | 12 | 13.20 ^{+0.20} / _{+0.00} | 110.00 ^{+0.000} / _{-0.087} | 130.00 ^{+0.10} / _{+0.00} | 110.00 ^{+0.00} / _{-0.14} | 130.00 ^{+0.10} / _{+0.00} | 36.70 |
| MUUL-110X130X14.5 | 110 | 130 | 14.5 | 16.00 ^{+0.20} / _{+0.00} | 110.00 ^{+0.000} / _{-0.087} | 130.00 ^{+0.10} / _{+0.00} | 110.00 ^{+0.00} / _{-0.14} | 130.00 ^{+0.10} / _{+0.00} | 35.98 |

U-SEALS

FORMERLY LISTED SEALS ARE AVAILABLE ONLINE AT WWW.HERCULESUS.COM
OR BY CONTACTING YOUR REGIONAL HERCULES SALES TEAM.



STYLE MUUL LOADED SYMMETRICAL U-SEALS

U-SEALS

| Part Number | A Nom. ID | B Nom. OD | C Nom. Ht | D GROOVE WIDTH | E ROD DIAMETER | G HOUSING DIAMETER | H GROOVE DIAMETER | J BORE DIAMETER | List Price |
|-------------------|--------------|--------------|--------------|---|--|--|--|--|---------------|
| MUUL-110X130X15 | 110 | 130 | 15 | 16.50 ^{+0.20} / _{+0.00} | 110.00 ^{+0.000} / _{-0.087} | 130.00 ^{+0.10} / _{+0.00} | 110.00 ^{+0.00} / _{-0.14} | 130.00 ^{+0.10} / _{+0.00} | 37.21 |
| MUUL-112X125X9 | 112 | 125 | 9 | 9.90 ^{+0.20} / _{+0.00} | 112.00 ^{+0.000} / _{-0.087} | 125.00 ^{+0.10} / _{+0.00} | 112.00 ^{+0.00} / _{-0.14} | 125.00 ^{+0.10} / _{+0.00} | 32.36 |
| MUUL-115X130X9 | 115 | 130 | 9 | 9.90 ^{+0.20} / _{+0.00} | 115.00 ^{+0.000} / _{-0.087} | 130.00 ^{+0.10} / _{+0.00} | 115.00 ^{+0.00} / _{-0.14} | 130.00 ^{+0.10} / _{+0.00} | 33.35 |
| MUUL-115X135X12 | 115 | 135 | 12 | 13.20 ^{+0.20} / _{+0.00} | 115.00 ^{+0.000} / _{-0.087} | 135.00 ^{+0.10} / _{+0.00} | 115.00 ^{+0.00} / _{-0.14} | 135.00 ^{+0.10} / _{+0.00} | 38.04 |
| MUUL-120X140X10 | 120 | 140 | 10 | 11.00 ^{+0.20} / _{+0.00} | 120.00 ^{+0.000} / _{-0.087} | 140.00 ^{+0.10} / _{+0.00} | 120.00 ^{+0.00} / _{-0.14} | 140.00 ^{+0.10} / _{+0.00} | 46.16 |
| MUUL-120X140X12 | 120 | 140 | 12 | 13.20 ^{+0.20} / _{+0.00} | 120.00 ^{+0.000} / _{-0.087} | 140.00 ^{+0.10} / _{+0.00} | 120.00 ^{+0.00} / _{-0.14} | 140.00 ^{+0.10} / _{+0.00} | 47.55 |
| MUUL-120X140X14.5 | 120 | 140 | 14.5 | 16.00 ^{+0.20} / _{+0.00} | 120.00 ^{+0.000} / _{-0.087} | 140.00 ^{+0.10} / _{+0.00} | 120.00 ^{+0.00} / _{-0.14} | 140.00 ^{+0.10} / _{+0.00} | 38.55 |
| MUUL-120X140X15 | 120 | 140 | 15 | 16.50 ^{+0.20} / _{+0.00} | 120.00 ^{+0.000} / _{-0.087} | 140.00 ^{+0.10} / _{+0.00} | 120.00 ^{+0.00} / _{-0.14} | 140.00 ^{+0.10} / _{+0.00} | 39.84 |
| MUUL-125X140X9 | 125 | 140 | 9 | 9.90 ^{+0.20} / _{+0.00} | 125.00 ^{+0.00} / _{-0.10} | 140.00 ^{+0.10} / _{+0.00} | 125.00 ^{+0.00} / _{-0.16} | 140.00 ^{+0.10} / _{+0.00} | 37.97 |
| MUUL-125X145X15 | 125 | 145 | 15 | 16.50 ^{+0.20} / _{+0.00} | 125.00 ^{+0.00} / _{-0.10} | 145.00 ^{+0.10} / _{+0.00} | 125.00 ^{+0.00} / _{-0.16} | 145.00 ^{+0.10} / _{+0.00} | 41.85 |
| MUUL-125X150X18 | 125 | 150 | 18 | 19.80 ^{+0.20} / _{+0.00} | 125.00 ^{+0.00} / _{-0.10} | 150.00 ^{+0.10} / _{+0.00} | 125.00 ^{+0.00} / _{-0.16} | 150.00 ^{+0.10} / _{+0.00} | 50.70 |
| MUUL-130X150X12 | 130 | 150 | 12 | 13.20 ^{+0.20} / _{+0.00} | 130.00 ^{+0.00} / _{-0.10} | 150.00 ^{+0.10} / _{+0.00} | 130.00 ^{+0.00} / _{-0.16} | 150.00 ^{+0.10} / _{+0.00} | 38.31 |
| MUUL-130X150X13 | 130 | 150 | 13 | 14.30 ^{+0.20} / _{+0.00} | 130.00 ^{+0.00} / _{-0.10} | 150.00 ^{+0.10} / _{+0.00} | 130.00 ^{+0.00} / _{-0.16} | 150.00 ^{+0.10} / _{+0.00} | 38.31 |
| MUUL-130X150X15 | 130 | 150 | 15 | 16.50 ^{+0.20} / _{+0.00} | 130.00 ^{+0.00} / _{-0.10} | 150.00 ^{+0.10} / _{+0.00} | 130.00 ^{+0.00} / _{-0.16} | 150.00 ^{+0.10} / _{+0.00} | 38.31 |
| MUUL-130X150X16 | 130 | 150 | 16 | 17.60 ^{+0.20} / _{+0.00} | 130.00 ^{+0.00} / _{-0.10} | 150.00 ^{+0.10} / _{+0.00} | 130.00 ^{+0.00} / _{-0.16} | 150.00 ^{+0.10} / _{+0.00} | 41.85 |
| MUUL-135X150X9 | 135 | 150 | 9 | 9.90 ^{+0.20} / _{+0.00} | 135.00 ^{+0.00} / _{-0.10} | 150.00 ^{+0.10} / _{+0.00} | 135.00 ^{+0.00} / _{-0.16} | 150.00 ^{+0.10} / _{+0.00} | 31.47 |
| MUUL-135X155X15 | 135 | 155 | 15 | 16.50 ^{+0.20} / _{+0.00} | 135.00 ^{+0.00} / _{-0.10} | 155.00 ^{+0.10} / _{+0.00} | 135.00 ^{+0.00} / _{-0.16} | 155.00 ^{+0.10} / _{+0.00} | 39.73 |
| MUUL-136X150X9 | 136 | 150 | 9 | 9.90 ^{+0.20} / _{+0.00} | 136.00 ^{+0.00} / _{-0.10} | 150.00 ^{+0.10} / _{+0.00} | 136.00 ^{+0.00} / _{-0.16} | 150.00 ^{+0.10} / _{+0.00} | 31.64 |
| MUUL-140X155X9 | 140 | 155 | 9 | 9.90 ^{+0.20} / _{+0.00} | 140.00 ^{+0.00} / _{-0.10} | 155.00 ^{+0.10} / _{+0.00} | 140.00 ^{+0.00} / _{-0.16} | 155.00 ^{+0.10} / _{+0.00} | 34.94 |
| MUUL-140X160X12 | 140 | 160 | 12 | 13.20 ^{+0.20} / _{+0.00} | 140.00 ^{+0.00} / _{-0.10} | 160.00 ^{+0.10} / _{+0.00} | 140.00 ^{+0.00} / _{-0.16} | 160.00 ^{+0.10} / _{+0.00} | 52.43 |
| MUUL-140X160X15 | 140 | 160 | 15 | 16.50 ^{+0.20} / _{+0.00} | 140.00 ^{+0.00} / _{-0.10} | 160.00 ^{+0.10} / _{+0.00} | 140.00 ^{+0.00} / _{-0.16} | 160.00 ^{+0.10} / _{+0.00} | 43.17 |
| MUUL-140X165X18.2 | 140 | 165 | 18.2 | 20.00 ^{+0.20} / _{+0.00} | 140.00 ^{+0.00} / _{-0.10} | 165.00 ^{+0.10} / _{+0.00} | 140.00 ^{+0.00} / _{-0.16} | 165.00 ^{+0.10} / _{+0.00} | 52.50 |
| MUUL-145X160X9 | 145 | 160 | 9 | 9.90 ^{+0.20} / _{+0.00} | 145.00 ^{+0.00} / _{-0.10} | 160.00 ^{+0.10} / _{+0.00} | 145.00 ^{+0.00} / _{-0.16} | 160.00 ^{+0.10} / _{+0.00} | 37.30 |
| MUUL-150X165X9 | 150 | 165 | 9 | 9.90 ^{+0.20} / _{+0.00} | 150.00 ^{+0.00} / _{-0.10} | 165.00 ^{+0.10} / _{+0.00} | 150.00 ^{+0.00} / _{-0.16} | 165.00 ^{+0.10} / _{+0.00} | 36.67 |
| MUUL-150X170X15 | 150 | 170 | 15 | 16.50 ^{+0.20} / _{+0.00} | 150.00 ^{+0.00} / _{-0.10} | 170.00 ^{+0.10} / _{+0.00} | 150.00 ^{+0.00} / _{-0.16} | 170.00 ^{+0.10} / _{+0.00} | 45.66 |
| MUUL-150X170X16 | 150 | 170 | 16 | 17.60 ^{+0.20} / _{+0.00} | 150.00 ^{+0.00} / _{-0.10} | 170.00 ^{+0.10} / _{+0.00} | 150.00 ^{+0.00} / _{-0.16} | 170.00 ^{+0.10} / _{+0.00} | 48.83 |
| MUUL-150X180X18 | 150 | 180 | 18 | 19.80 ^{+0.20} / _{+0.00} | 150.00 ^{+0.00} / _{-0.10} | 180.00 ^{+0.10} / _{+0.00} | 150.00 ^{+0.00} / _{-0.16} | 180.00 ^{+0.10} / _{+0.00} | 64.93 |
| MUUL-155X180X16 | 155 | 180 | 16 | 17.60 ^{+0.20} / _{+0.00} | 155.00 ^{+0.00} / _{-0.10} | 180.00 ^{+0.10} / _{+0.00} | 155.00 ^{+0.00} / _{-0.16} | 180.00 ^{+0.10} / _{+0.00} | 54.33 |
| MUUL-160X175X9 | 160 | 175 | 9 | 9.90 ^{+0.20} / _{+0.00} | 160.00 ^{+0.00} / _{-0.10} | 175.00 ^{+0.10} / _{+0.00} | 160.00 ^{+0.00} / _{-0.16} | 175.00 ^{+0.10} / _{+0.00} | 39.32 |
| MUUL-160X180X15 | 160 | 180 | 15 | 16.50 ^{+0.20} / _{+0.00} | 160.00 ^{+0.00} / _{-0.10} | 180.00 ^{+0.10} / _{+0.00} | 160.00 ^{+0.00} / _{-0.16} | 180.00 ^{+0.10} / _{+0.00} | 46.59 |
| MUUL-160X185X16 | 160 | 185 | 16 | 17.60 ^{+0.20} / _{+0.00} | 160.00 ^{+0.00} / _{-0.10} | 185.00 ^{+0.115} / _{+0.000} | 160.00 ^{+0.00} / _{-0.16} | 185.00 ^{+0.115} / _{+0.000} | 46.59 |
| MUUL-165X180X9.5 | 165 | 180 | 9.5 | 10.50 ^{+0.20} / _{+0.00} | 165.00 ^{+0.00} / _{-0.10} | 180.00 ^{+0.10} / _{+0.00} | 165.00 ^{+0.00} / _{-0.16} | 180.00 ^{+0.10} / _{+0.00} | 40.65 |
| MUUL-165X190X16 | 165 | 190 | 16 | 17.60 ^{+0.20} / _{+0.00} | 165.00 ^{+0.00} / _{-0.10} | 190.00 ^{+0.115} / _{+0.000} | 165.00 ^{+0.00} / _{-0.16} | 190.00 ^{+0.115} / _{+0.000} | 42.37 |

NORTH AMERICA
PHONE 1-800-777-5617
FAX 1-800-759-6391

SALES OFFICE HOURS
8 A.M. TO 7:30 P.M. EASTERN TIME
www.HerculesUS.com

WORLDWIDE
PHONE 1-727-796-1300
FAX 1-727-797-8849



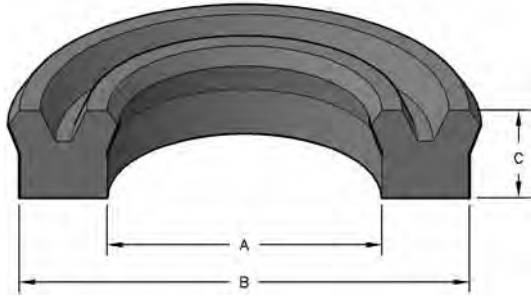
STYLE MUUL LOADED SYMMETRICAL U-SEALS

| Part Number | A Nom. ID | B Nom. OD | C Nom. Ht | D GROOVE WIDTH | E ROD DIAMETER | G HOUSING DIAMETER | H GROOVE DIAMETER | J BORE DIAMETER | List Price |
|-------------------|--------------|--------------|--------------|---|--|--|--|--|---------------|
| MUUL-170X190X15 | 170 | 190 | 15 | 16.50 ^{+0.20} / _{+0.00} | 170.00 ^{+0.00} / _{-0.10} | 190.00 ^{+0.115} / _{+0.000} | 170.00 ^{+0.00} / _{-0.16} | 190.00 ^{+0.115} / _{+0.000} | 47.51 |
| MUUL-175X200X15 | 175 | 200 | 15 | 16.50 ^{+0.20} / _{+0.00} | 175.00 ^{+0.00} / _{-0.10} | 200.00 ^{+0.115} / _{+0.000} | 175.00 ^{+0.00} / _{-0.16} | 200.00 ^{+0.115} / _{+0.000} | 61.34 |
| MUUL-180X200X12.5 | 180 | 200 | 12.5 | 13.75 ^{+0.20} / _{+0.00} | 180.00 ^{+0.00} / _{-0.10} | 200.00 ^{+0.115} / _{+0.000} | 180.00 ^{+0.00} / _{-0.16} | 200.00 ^{+0.115} / _{+0.000} | 54.86 |
| MUUL-180X205X16 | 180 | 205 | 16 | 17.60 ^{+0.20} / _{+0.00} | 180.00 ^{+0.00} / _{-0.10} | 205.00 ^{+0.115} / _{+0.000} | 180.00 ^{+0.00} / _{-0.16} | 205.00 ^{+0.115} / _{+0.000} | 63.29 |
| MUUL-190X210X12 | 190 | 210 | 12 | 13.20 ^{+0.20} / _{+0.00} | 190.00 ^{+0.000} / _{-0.115} | 210.00 ^{+0.115} / _{+0.000} | 190.00 ^{+0.000} / _{-0.185} | 210.00 ^{+0.115} / _{+0.000} | 57.31 |
| MUUL-190X215X16 | 190 | 215 | 16 | 17.60 ^{+0.20} / _{+0.00} | 190.00 ^{+0.000} / _{-0.115} | 215.00 ^{+0.115} / _{+0.000} | 190.00 ^{+0.000} / _{-0.185} | 215.00 ^{+0.115} / _{+0.000} | 66.83 |
| MUUL-200X220X12.5 | 200 | 220 | 12.5 | 13.75 ^{+0.20} / _{+0.00} | 200.00 ^{+0.000} / _{-0.115} | 220.00 ^{+0.115} / _{+0.000} | 200.00 ^{+0.000} / _{-0.185} | 220.00 ^{+0.115} / _{+0.000} | 60.97 |
| MUUL-200X225X16 | 200 | 225 | 16 | 17.60 ^{+0.20} / _{+0.00} | 200.00 ^{+0.000} / _{-0.115} | 225.00 ^{+0.115} / _{+0.000} | 200.00 ^{+0.000} / _{-0.185} | 225.00 ^{+0.115} / _{+0.000} | 70.32 |
| MUUL-200X225X18 | 200 | 225 | 18 | 19.80 ^{+0.20} / _{+0.00} | 200.00 ^{+0.000} / _{-0.115} | 225.00 ^{+0.115} / _{+0.000} | 200.00 ^{+0.000} / _{-0.185} | 225.00 ^{+0.115} / _{+0.000} | 70.32 |
| MUUL-205X235X18 | 205 | 235 | 18 | 19.80 ^{+0.20} / _{+0.00} | 205.00 ^{+0.000} / _{-0.115} | 235.00 ^{+0.115} / _{+0.000} | 205.00 ^{+0.000} / _{-0.185} | 235.00 ^{+0.115} / _{+0.000} | 125.54 |
| MUUL-240X265X18 | 240 | 265 | 18 | 19.80 ^{+0.20} / _{+0.00} | 240.00 ^{+0.000} / _{-0.115} | 265.00 ^{+0.13} / _{+0.00} | 240.00 ^{+0.000} / _{-0.185} | 265.00 ^{+0.13} / _{+0.00} | 91.56 |

U-SEALS

STYLE MUSN SYMMETRICAL U-SEALS

Molded from 90A nitrile, this seal provides high sealability in a symmetrical design suitable for rods or pistons.

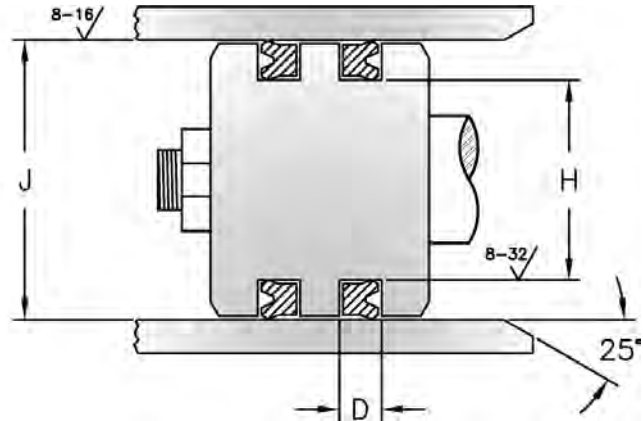
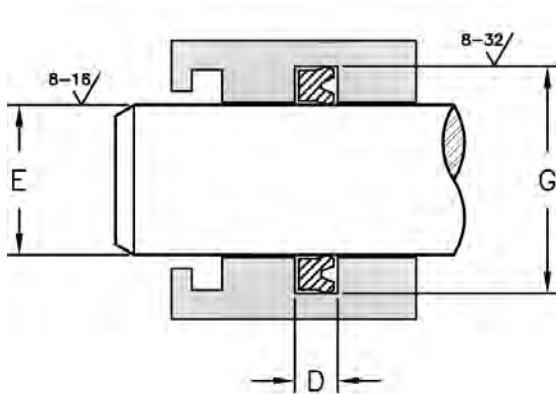


HERCULES PART NUMBERS

MUSN - 6.3 X 16.3 X 8
 Style Prefix Inside Diameter Outside Diameter Height

SEAL INFORMATION

| | |
|-------------------|-----------------|
| MATERIAL | 90A NITRILE |
| TEMPERATURE RANGE | -13° TO +212° F |
| PRESSURE RANGE | 0 TO 2,000 PSI |
| SPEED | 3 FT/SEC |



U-SEALS

| Part Number | A Nom. ID | B Nom. OD | C Nom. Ht | D GROOVE WIDTH | E ROD DIAMETER | G HOUSING DIAMETER | H GROOVE DIAMETER | J BORE DIAMETER | List Price |
|------------------|--------------|--------------|--------------|----------------------|---|---|---|---|---------------|
| MUSN-6.3X16.3X8 | 6.3 | 16.3 | 8 | 9.00 ±0.20 | 6.30 ^{-0.013} _{-0.035} | 16.30 ^{+0.07} _{+0.00} | 6.30 ^{+0.000} _{-0.058} | 16.30 ^{+0.043} _{+0.000} | \$4.40 |
| MUSN-7.1X17.1X8 | 7.1 | 17.1 | 8 | 9.00 ±0.20 | 7.10 ^{-0.013} _{-0.035} | 17.10 ^{+0.07} _{+0.00} | 7.10 ^{+0.000} _{-0.058} | 17.10 ^{+0.043} _{+0.000} | 4.40 |
| MUSN-8X18X8 | 8 | 18 | 8 | 9.00 ±0.20 | 8.00 ^{-0.013} _{-0.035} | 18.00 ^{+0.07} _{+0.00} | 8.00 ^{+0.000} _{-0.058} | 18.00 ^{+0.043} _{+0.000} | 4.40 |
| MUSN-9X19X8 | 9 | 19 | 8 | 9.00 ±0.20 | 9.00 ^{-0.013} _{-0.035} | 19.00 ^{+0.084} _{+0.000} | 9.00 ^{+0.000} _{-0.058} | 19.00 ^{+0.052} _{+0.000} | 4.73 |
| MUSN-10X20X8 | 10 | 20 | 8 | 9.00 ±0.20 | 10.00 ^{-0.013} _{-0.035} | 20.00 ^{+0.084} _{+0.000} | 10.00 ^{+0.000} _{-0.058} | 20.00 ^{+0.052} _{+0.000} | 4.73 |
| MUSN-11.2X21.2X8 | 11.2 | 21.2 | 8 | 9.00 ±0.20 | 11.20 ^{-0.016} _{-0.043} | 21.20 ^{+0.084} _{+0.000} | 11.20 ^{+0.00} _{-0.07} | 21.20 ^{+0.052} _{+0.000} | 5.06 |
| MUSN-12.5X22.5X8 | 12.5 | 22.5 | 8 | 9.00 ±0.20 | 12.50 ^{-0.016} _{-0.043} | 22.50 ^{+0.084} _{+0.000} | 12.50 ^{+0.00} _{-0.07} | 22.50 ^{+0.052} _{+0.000} | 5.06 |
| MUSN-14X24X8 | 14 | 24 | 8 | 9.00 ±0.20 | 14.00 ^{-0.016} _{-0.043} | 24.00 ^{+0.084} _{+0.000} | 14.00 ^{+0.00} _{-0.07} | 24.00 ^{+0.052} _{+0.000} | 5.60 |
| MUSN-15X25X8 | 15 | 25 | 8 | 9.00 ±0.20 | 15.00 ^{-0.016} _{-0.043} | 25.00 ^{+0.084} _{+0.000} | 15.00 ^{+0.00} _{-0.07} | 25.00 ^{+0.052} _{+0.000} | 5.60 |
| MUSN-16X24X5 | 16 | 24 | 5 | 5.70 ±0.20 | 16.00 ^{-0.016} _{-0.043} | 24.00 ^{+0.00} _{-0.20} | 16.00 ^{+0.00} _{-0.20} | 24.00 ^{+0.052} _{+0.000} | 3.05 |
| MUSN-16X26X8 | 16 | 26 | 8 | 9.00 ±0.20 | 16.00 ^{-0.016} _{-0.043} | 26.00 ^{+0.084} _{+0.000} | 16.00 ^{+0.00} _{-0.07} | 26.00 ^{+0.052} _{+0.000} | 5.94 |
| MUSN-18X26X5 | 18 | 26 | 5 | 5.70 ±0.20 | 18.00 ^{-0.016} _{-0.043} | 26.00 ^{+0.00} _{-0.20} | 18.00 ^{+0.00} _{-0.20} | 26.00 ^{+0.052} _{+0.000} | 3.05 |
| MUSN-18X28X8 | 18 | 28 | 8 | 9.00 ±0.20 | 18.00 ^{-0.016} _{-0.043} | 28.00 ^{+0.084} _{+0.000} | 18.00 ^{+0.00} _{-0.07} | 28.00 ^{+0.052} _{+0.000} | 6.26 |
| MUSN-20X28X5 | 20 | 28 | 5 | 5.70 ±0.20 | 20.00 ^{-0.020} _{-0.053} | 28.00 ^{+0.00} _{-0.20} | 20.00 ^{+0.00} _{-0.20} | 28.00 ^{+0.052} _{+0.000} | 3.05 |



STYLE MUSN SYMMETRICAL U-SEALS

| Part Number | A Nom. ID | B Nom. OD | C Nom. Ht | D GROOVE WIDTH | E ROD DIAMETER | G HOUSING DIAMETER | H GROOVE DIAMETER | J BORE DIAMETER | List Price |
|-------------------|--------------|--------------|--------------|----------------------|---|---|---|---|---------------|
| MUSN-20X30X8 | 20 | 30 | 8 | 9.00 ±0.20 | 20.00 ^{-0.020} / _{-0.053} | 30.00 ^{+0.084} / _{+0.000} | 20.00 ^{+0.000} / _{-0.084} | 30.00 ^{+0.052} / _{+0.000} | 6.90 |
| MUSN-22X30X5 | 22 | 30 | 5 | 5.70 ±0.20 | 22.00 ^{-0.020} / _{-0.053} | 30.00 ^{+0.00} / _{-0.20} | 22.00 ^{+0.00} / _{-0.20} | 30.00 ^{+0.052} / _{+0.000} | 3.09 |
| MUSN-22.4X30X5 | 22.4 | 30 | 5 | 5.70 ±0.20 | 22.40 ^{-0.020} / _{-0.053} | 30.00 ^{+0.00} / _{-0.20} | 22.40 ^{+0.00} / _{-0.20} | 30.00 ^{+0.052} / _{+0.000} | 3.05 |
| MUSN-22.4X32.4X8 | 22.4 | 32.4 | 8 | 9.00 ±0.20 | 22.40 ^{-0.020} / _{-0.053} | 32.40 ^{+0.10} / _{+0.00} | 22.40 ^{+0.000} / _{-0.084} | 32.40 ^{+0.062} / _{+0.000} | 7.81 |
| MUSN-23.5X31.5X5 | 23.5 | 31.5 | 5 | 5.70 ±0.20 | 23.50 ^{-0.020} / _{-0.053} | 31.50 ^{+0.00} / _{-0.20} | 23.50 ^{+0.00} / _{-0.20} | 31.50 ^{+0.062} / _{+0.000} | 3.05 |
| MUSN-25X33X5 | 25 | 33 | 5 | 5.70 ±0.20 | 25.00 ^{-0.020} / _{-0.053} | 33.00 ^{+0.00} / _{-0.20} | 25.00 ^{+0.00} / _{-0.20} | 33.00 ^{+0.062} / _{+0.000} | 3.05 |
| MUSN-25X35X8 | 25 | 35 | 8 | 9.00 ±0.20 | 25.00 ^{-0.020} / _{-0.053} | 35.00 ^{+0.10} / _{+0.00} | 25.00 ^{+0.000} / _{-0.084} | 35.00 ^{+0.062} / _{+0.000} | 8.45 |
| MUSN-28X35.5X5 | 28 | 35.5 | 5 | 5.70 ±0.20 | 28.00 ^{-0.020} / _{-0.053} | 35.50 ^{+0.00} / _{-0.20} | 28.00 ^{+0.00} / _{-0.20} | 35.50 ^{+0.062} / _{+0.000} | 3.05 |
| MUSN-28X43X10 | 28 | 43 | 10 | 11.00 ±0.20 | 28.00 ^{-0.020} / _{-0.053} | 43.00 ^{+0.10} / _{+0.00} | 28.00 ^{+0.000} / _{-0.084} | 43.00 ^{+0.062} / _{+0.000} | 10.02 |
| MUSN-30X40X6 | 30 | 40 | 6 | 7.00 ±0.20 | 30.00 ^{-0.020} / _{-0.053} | 40.00 ^{+0.00} / _{-0.20} | 30.00 ^{+0.00} / _{-0.20} | 40.00 ^{+0.062} / _{+0.000} | 3.15 |
| MUSN-30X45X10 | 30 | 45 | 10 | 11.00 ±0.20 | 30.00 ^{-0.020} / _{-0.053} | 45.00 ^{+0.10} / _{+0.00} | 30.00 ^{+0.000} / _{-0.084} | 45.00 ^{+0.062} / _{+0.000} | 10.33 |
| MUSN-31.5X41.5X6 | 31.5 | 41.5 | 6 | 7.00 ±0.20 | 31.50 ^{-0.025} / _{-0.064} | 41.50 ^{+0.00} / _{-0.20} | 31.50 ^{+0.00} / _{-0.20} | 41.50 ^{+0.062} / _{+0.000} | 3.15 |
| MUSN-31.5X44.5X10 | 31.5 | 44.5 | 10 | 11.00 ±0.20 | 31.50 ^{-0.025} / _{-0.064} | 44.50 ^{+0.10} / _{+0.00} | 31.50 ^{+0.00} / _{-0.10} | 44.50 ^{+0.062} / _{+0.000} | 10.66 |
| MUSN-35X45X6 | 35 | 45 | 6 | 7.00 ±0.20 | 35.00 ^{-0.025} / _{-0.064} | 45.00 ^{+0.00} / _{-0.20} | 35.00 ^{+0.00} / _{-0.20} | 45.00 ^{+0.062} / _{+0.000} | 3.49 |
| MUSN-35X50X10 | 35 | 50 | 10 | 11.00 ±0.20 | 35.00 ^{-0.025} / _{-0.064} | 50.00 ^{+0.10} / _{+0.00} | 35.00 ^{+0.00} / _{-0.10} | 50.00 ^{+0.062} / _{+0.000} | 11.22 |
| MUSN-35.5X45X6 | 35.5 | 45 | 6 | 7.00 ±0.20 | 35.50 ^{-0.025} / _{-0.064} | 45.00 ^{+0.00} / _{-0.20} | 35.50 ^{+0.00} / _{-0.20} | 45.00 ^{+0.062} / _{+0.000} | 3.49 |
| MUSN-35.5X50.5X10 | 35.5 | 50.5 | 10 | 11.00 ±0.20 | 35.50 ^{-0.025} / _{-0.064} | 50.50 ^{+0.12} / _{+0.00} | 35.50 ^{+0.00} / _{-0.10} | 50.50 ^{+0.074} / _{+0.000} | 12.64 |
| MUSN-36X46X6 | 36 | 46 | 6 | 7.00 ±0.20 | 36.00 ^{-0.025} / _{-0.064} | 46.00 ^{+0.00} / _{-0.20} | 36.00 ^{+0.00} / _{-0.20} | 46.00 ^{+0.062} / _{+0.000} | 29.63 |
| MUSN-40X50X6 | 40 | 50 | 6 | 7.00 ±0.20 | 40.00 ^{-0.025} / _{-0.064} | 50.00 ^{+0.00} / _{-0.20} | 40.00 ^{+0.00} / _{-0.20} | 50.00 ^{+0.062} / _{+0.000} | 3.64 |
| MUSN-40X53X9 | 40 | 53 | 9 | 10.00 ±0.20 | 40.00 ^{-0.025} / _{-0.064} | 53.00 ^{+0.12} / _{+0.00} | 40.00 ^{+0.00} / _{-0.10} | 53.00 ^{+0.074} / _{+0.000} | 13.18 |
| MUSN-40X55X5 | 40 | 55 | 5 | 5.70 ±0.20 | 40.00 ^{-0.025} / _{-0.064} | 55.00 ^{+0.12} / _{+0.00} | 40.00 ^{+0.00} / _{-0.10} | 55.00 ^{+0.074} / _{+0.000} | 7.75 |
| MUSN-40X55X10 | 40 | 55 | 10 | 11.00 ±0.20 | 40.00 ^{-0.025} / _{-0.064} | 55.00 ^{+0.12} / _{+0.00} | 40.00 ^{+0.00} / _{-0.10} | 55.00 ^{+0.074} / _{+0.000} | 13.90 |
| MUSN-40X60X12 | 40 | 60 | 12 | 13.00 ±0.20 | 40.00 ^{-0.025} / _{-0.064} | 60.00 ^{+0.12} / _{+0.00} | 40.00 ^{+0.00} / _{-0.10} | 60.00 ^{+0.074} / _{+0.000} | 14.62 |
| MUSN-45X55X6 | 45 | 55 | 6 | 7.00 ±0.20 | 45.00 ^{-0.025} / _{-0.064} | 55.00 ^{+0.00} / _{-0.20} | 45.00 ^{+0.00} / _{-0.20} | 55.00 ^{+0.074} / _{+0.000} | 4.08 |
| MUSN-45X56X7 | 45 | 56 | 7 | 8.00 ±0.20 | 45.00 ^{-0.025} / _{-0.064} | 56.00 ^{+0.00} / _{-0.20} | 45.00 ^{+0.00} / _{-0.20} | 56.00 ^{+0.074} / _{+0.000} | 4.08 |
| MUSN-45X60X10 | 45 | 60 | 10 | 11.00 ±0.20 | 45.00 ^{-0.025} / _{-0.064} | 60.00 ^{+0.12} / _{+0.00} | 45.00 ^{+0.00} / _{-0.10} | 60.00 ^{+0.074} / _{+0.000} | 14.22 |
| MUSN-48X63X10 | 48 | 63 | 10 | 11.00 ±0.20 | 48.00 ^{-0.025} / _{-0.064} | 63.00 ^{+0.12} / _{+0.00} | 48.00 ^{+0.00} / _{-0.10} | 63.00 ^{+0.074} / _{+0.000} | 14.38 |
| MUSN-50X60X6 | 50 | 60 | 6 | 7.00 ±0.20 | 50.00 ^{-0.025} / _{-0.064} | 60.00 ^{+0.00} / _{-0.20} | 50.00 ^{+0.00} / _{-0.20} | 60.00 ^{+0.074} / _{+0.000} | 4.32 |
| MUSN-50X60X8 | 50 | 60 | 8 | 9.00 ±0.20 | 50.00 ^{-0.025} / _{-0.064} | 60.00 ^{+0.12} / _{+0.00} | 50.00 ^{+0.00} / _{-0.10} | 60.00 ^{+0.074} / _{+0.000} | 4.77 |
| MUSN-50X65X10 | 50 | 65 | 10 | 11.00 ±0.20 | 50.00 ^{-0.025} / _{-0.064} | 65.00 ^{+0.12} / _{+0.00} | 50.00 ^{+0.00} / _{-0.10} | 65.00 ^{+0.074} / _{+0.000} | 15.03 |
| MUSN-53X63X6 | 53 | 63 | 6 | 7.00 ±0.20 | 53.00 ^{-0.030} / _{-0.076} | 63.00 ^{+0.00} / _{-0.20} | 53.00 ^{+0.00} / _{-0.20} | 63.00 ^{+0.074} / _{+0.000} | 4.55 |
| MUSN-53X73X12 | 53 | 73 | 12 | 13.00 ±0.20 | 53.00 ^{-0.030} / _{-0.076} | 73.00 ^{+0.12} / _{+0.00} | 53.00 ^{+0.00} / _{-0.12} | 73.00 ^{+0.074} / _{+0.000} | 15.63 |
| MUSN-54X70X12 | 54 | 70 | 12 | 13.00 ±0.20 | 54.00 ^{-0.030} / _{-0.076} | 70.00 ^{+0.00} / _{-0.20} | 54.00 ^{+0.00} / _{-0.20} | 70.00 ^{+0.074} / _{+0.000} | 22.49 |

U-SEALS

FORMERLY LISTED SEALS ARE AVAILABLE ONLINE AT WWW.HERCULESUS.COM
OR BY CONTACTING YOUR REGIONAL HERCULES SALES TEAM.



STYLE MUSN SYMMETRICAL U-SEALS

| Part Number | A Nom. ID | B Nom. OD | C Nom. Ht | D GROOVE WIDTH | E ROD DIAMETER | G HOUSING DIAMETER | H GROOVE DIAMETER | J BORE DIAMETER | List Price |
|----------------|--------------|--------------|--------------|---|---|--|---|--|---------------|
| MUSN-55X65X6 | 55 | 65 | 6 | 7.00 ±0.20 | 55.00 ^{-0.030} _{-0.076} | 65.00 ^{+0.00} _{-0.20} | 55.00 ^{+0.00} _{-0.20} | 65.00 ^{+0.074} _{+0.000} | 4.55 |
| MUSN-55X75X12 | 55 | 75 | 12 | 13.00 ±0.20 | 55.00 ^{-0.030} _{-0.076} | 75.00 ^{+0.12} _{+0.00} | 55.00 ^{+0.00} _{-0.12} | 75.00 ^{+0.074} _{+0.000} | 16.26 |
| MUSN-56X66X6 | 56 | 66 | 6 | 7.00 ±0.20 | 56.00 ^{-0.030} _{-0.076} | 66.00 ^{+0.00} _{-0.20} | 56.00 ^{+0.00} _{-0.20} | 66.00 ^{+0.074} _{+0.000} | 4.55 |
| MUSN-60X70X6 | 60 | 70 | 6 | 7.00 ±0.20 | 60.00 ^{-0.030} _{-0.076} | 70.00 ^{+0.00} _{-0.20} | 60.00 ^{+0.00} _{-0.20} | 70.00 ^{+0.074} _{+0.000} | 4.91 |
| MUSN-60X71X7 | 60 | 71 | 7 | 8.00 ±0.20 | 60.00 ^{-0.030} _{-0.076} | 71.00 ^{+0.00} _{-0.20} | 60.00 ^{+0.00} _{-0.20} | 71.00 ^{+0.074} _{+0.000} | 4.91 |
| MUSN-60X80X12 | 60 | 80 | 12 | 13.00 ±0.20 | 60.00 ^{-0.030} _{-0.076} | 80.00 ^{+0.12} _{+0.00} | 60.00 ^{+0.00} _{-0.12} | 80.00 ^{+0.074} _{+0.000} | 18.79 |
| MUSN-63X73X6 | 63 | 73 | 6 | 7.00 ±0.20 | 63.00 ^{-0.030} _{-0.076} | 73.00 ^{+0.00} _{-0.20} | 63.00 ^{+0.00} _{-0.20} | 73.00 ^{+0.074} _{+0.000} | 5.12 |
| MUSN-63X83X12 | 63 | 83 | 12 | 13.00 ±0.20 | 63.00 ^{-0.030} _{-0.076} | 83.00 ^{+0.14} _{+0.00} | 63.00 ^{+0.00} _{-0.12} | 83.00 ^{+0.087} _{+0.000} | 20.03 |
| MUSN-64X80X12 | 64 | 80 | 12 | 13.00 ±0.20 | 64.00 ^{-0.030} _{-0.076} | 80.00 ^{+0.12} _{+0.00} | 64.00 ^{+0.00} _{-0.12} | 80.00 ^{+0.074} _{+0.000} | 50.45 |
| MUSN-65X75X6 | 65 | 75 | 6 | 7.00 ±0.20 | 65.00 ^{-0.030} _{-0.076} | 75.00 ^{+0.00} _{-0.20} | 65.00 ^{+0.00} _{-0.20} | 75.00 ^{+0.074} _{+0.000} | 5.12 |
| MUSN-65X85X12 | 65 | 85 | 12 | 13.00 ±0.20 | 65.00 ^{-0.030} _{-0.076} | 85.00 ^{+0.14} _{+0.00} | 65.00 ^{+0.00} _{-0.12} | 85.00 ^{+0.087} _{+0.000} | 21.31 |
| MUSN-67X77X6 | 67 | 77 | 6 | 7.00 ±0.20 | 67.00 ^{-0.030} _{-0.076} | 77.00 ^{+0.00} _{-0.20} | 67.00 ^{+0.00} _{-0.20} | 77.00 ^{+0.074} _{+0.000} | 5.12 |
| MUSN-67X87X12 | 67 | 87 | 12 | 13.00 ±0.20 | 67.00 ^{-0.030} _{-0.076} | 87.00 ^{+0.14} _{+0.00} | 67.00 ^{+0.00} _{-0.12} | 87.00 ^{+0.087} _{+0.000} | 22.53 |
| MUSN-70X80X6 | 70 | 80 | 6 | 7.00 ±0.20 | 70.00 ^{-0.030} _{-0.076} | 80.00 ^{+0.00} _{-0.20} | 70.00 ^{+0.00} _{-0.20} | 80.00 ^{+0.074} _{+0.000} | 5.56 |
| MUSN-70X90X10 | 70 | 90 | 10 | 11.00 ^{+0.20} _{+0.00} | 70.00 ^{-0.030} _{-0.076} | 90.00 ^{+0.14} _{+0.00} | 70.00 ^{+0.00} _{-0.12} | 90.00 ^{+0.087} _{+0.000} | 9.47 |
| MUSN-70X90X12 | 70 | 90 | 12 | 13.00 ±0.20 | 70.00 ^{-0.030} _{-0.076} | 90.00 ^{+0.14} _{+0.00} | 70.00 ^{+0.00} _{-0.12} | 90.00 ^{+0.087} _{+0.000} | 23.17 |
| MUSN-71X80X6 | 71 | 80 | 6 | 7.00 ±0.20 | 71.00 ^{-0.030} _{-0.076} | 80.00 ^{+0.00} _{-0.20} | 71.00 ^{+0.00} _{-0.20} | 80.00 ^{+0.074} _{+0.000} | 5.56 |
| MUSN-71X91X12 | 71 | 91 | 12 | 13.00 ±0.20 | 71.00 ^{-0.030} _{-0.076} | 91.00 ^{+0.14} _{+0.00} | 71.00 ^{+0.00} _{-0.12} | 91.00 ^{+0.087} _{+0.000} | 23.74 |
| MUSN-75X85X6 | 75 | 85 | 6 | 7.00 ±0.20 | 75.00 ^{-0.030} _{-0.076} | 85.00 ^{+0.00} _{-0.20} | 75.00 ^{+0.00} _{-0.20} | 85.00 ^{+0.087} _{+0.000} | 6.10 |
| MUSN-75X95X10 | 75 | 95 | 10 | 11.00 ±0.20 | 75.00 ^{-0.030} _{-0.076} | 95.00 ^{+0.14} _{+0.00} | 75.00 ^{+0.00} _{-0.12} | 95.00 ^{+0.087} _{+0.000} | 6.31 |
| MUSN-75X95X12 | 75 | 95 | 12 | 13.00 ±0.20 | 75.00 ^{-0.030} _{-0.076} | 95.00 ^{+0.14} _{+0.00} | 75.00 ^{+0.00} _{-0.12} | 95.00 ^{+0.087} _{+0.000} | 26.29 |
| MUSN-80X90X6 | 80 | 90 | 6 | 7.00 ±0.20 | 80.00 ^{-0.030} _{-0.076} | 90.00 ^{+0.00} _{-0.20} | 80.00 ^{+0.00} _{-0.20} | 90.00 ^{+0.087} _{+0.000} | 6.48 |
| MUSN-80X95X12 | 80 | 95 | 12 | 13.00 ±0.20 | 80.00 ^{-0.030} _{-0.076} | 95.00 ^{+0.14} _{+0.00} | 80.00 ^{+0.00} _{-0.12} | 95.00 ^{+0.087} _{+0.000} | 7.80 |
| MUSN-80X100X12 | 80 | 100 | 12 | 13.00 ±0.20 | 80.00 ^{-0.030} _{-0.076} | 100.00 ^{+0.14} _{+0.00} | 80.00 ^{+0.00} _{-0.12} | 100.00 ^{+0.087} _{+0.000} | 31.31 |
| MUSN-85X100X9 | 85 | 100 | 9 | 10.00 ±0.20 | 85.00 ^{-0.036} _{-0.090} | 100.00 ^{+0.00} _{-0.20} | 85.00 ^{+0.00} _{-0.20} | 100.00 ^{+0.087} _{+0.000} | 7.28 |
| MUSN-85X105X12 | 85 | 105 | 12 | 13.00 ±0.20 | 85.00 ^{-0.036} _{-0.090} | 105.00 ^{+0.14} _{+0.00} | 85.00 ^{+0.00} _{-0.14} | 105.00 ^{+0.087} _{+0.000} | 35.05 |
| MUSN-88X109X10 | 88 | 109 | 10 | 11.00 ±0.20 | 88.00 ^{-0.036} _{-0.090} | 109.00 ^{+0.14} _{+0.00} | 88.00 ^{+0.00} _{-0.14} | 109.00 ^{+0.087} _{+0.000} | 7.77 |
| MUSN-90X100X6 | 90 | 100 | 6 | 7.00 ^{+0.30} _{+0.00} | 90.00 ^{-0.036} _{-0.090} | 100.00 ^{+0.00} _{-0.20} | 90.00 ^{+0.00} _{-0.14} | 100.00 ^{+0.087} _{+0.000} | 8.17 |
| MUSN-90X105X9 | 90 | 105 | 9 | 10.00 ±0.20 | 90.00 ^{-0.036} _{-0.090} | 105.00 ^{+0.00} _{-0.20} | 90.00 ^{+0.00} _{-0.20} | 105.00 ^{+0.087} _{+0.000} | 8.02 |
| MUSN-90X110X12 | 90 | 110 | 12 | 13.00 ±0.20 | 90.00 ^{-0.036} _{-0.090} | 110.00 ^{+0.14} _{+0.00} | 90.00 ^{+0.00} _{-0.14} | 110.00 ^{+0.087} _{+0.000} | 37.73 |
| MUSN-95X110X9 | 95 | 110 | 9 | 10.00 ±0.20 | 95.00 ^{-0.036} _{-0.090} | 110.00 ^{+0.00} _{-0.20} | 95.00 ^{+0.00} _{-0.20} | 110.00 ^{+0.087} _{+0.000} | 8.36 |
| MUSN-95X115X12 | 95 | 115 | 12 | 13.00 ±0.20 | 95.00 ^{-0.036} _{-0.090} | 115.00 ^{+0.14} _{+0.00} | 95.00 ^{+0.00} _{-0.14} | 115.00 ^{+0.087} _{+0.000} | 39.68 |
| MUSN-98X112X9 | 98 | 112 | 9 | 10.00 ±0.20 | 98.00 ^{-0.036} _{-0.090} | 112.00 ^{+0.14} _{+0.00} | 98.00 ^{+0.00} _{-0.14} | 112.00 ^{+0.087} _{+0.000} | 9.12 |

NORTH AMERICA
PHONE 1-800-777-5617
FAX 1-800-759-6391

SALES OFFICE HOURS
8 A.M. TO 7:30 P.M. EASTERN TIME
www.HerculesUS.com

WORLDWIDE
PHONE 1-727-796-1300
FAX 1-727-797-8849



STYLE MUSN SYMMETRICAL U-SEALS

| Part Number | A Nom. ID | B Nom. OD | C Nom. Ht | D GROOVE WIDTH | E ROD DIAMETER | G HOUSING DIAMETER | H GROOVE DIAMETER | J BORE DIAMETER | List Price |
|------------------|--------------|--------------|--------------|---|--|--|--|--|---------------|
| MUSN-100X115X9 | 100 | 115 | 9 | 10.00 ±0.20 | 100.00 ^{-0.036} _{-0.090} | 115.00 ^{+0.00} _{-0.20} | 100.00 ^{+0.00} _{-0.20} | 115.00 ^{+0.087} _{+0.000} | 9.12 |
| MUSN-100X120X12 | 100 | 120 | 12 | 13.00 ±0.20 | 100.00 ^{-0.036} _{-0.090} | 120.00 ^{+0.14} _{+0.00} | 100.00 ^{+0.00} _{-0.14} | 120.00 ^{+0.087} _{+0.000} | 40.68 |
| MUSN-105X125X15 | 105 | 125 | 15 | 16.00 ±0.20 | 105.00 ^{-0.036} _{-0.090} | 125.00 ^{+0.16} _{+0.00} | 105.00 ^{+0.00} _{-0.14} | 125.00 ^{+0.10} _{+0.00} | 42.22 |
| MUSN-106X120X8.5 | 106 | 120 | 8.5 | 9.50 ±0.20 | 106.00 ^{-0.036} _{-0.090} | 120.00 ^{+0.00} _{-0.20} | 106.00 ^{+0.00} _{-0.20} | 120.00 ^{+0.087} _{+0.000} | 23.52 |
| MUSN-106X126X15 | 106 | 126 | 15 | 16.00 ±0.20 | 106.00 ^{-0.036} _{-0.090} | 126.00 ^{+0.16} _{+0.00} | 106.00 ^{+0.00} _{-0.14} | 126.00 ^{+0.10} _{+0.00} | 43.20 |
| MUSN-110X130X15 | 110 | 130 | 15 | 16.00 ±0.20 | 110.00 ^{-0.036} _{-0.090} | 130.00 ^{+0.16} _{+0.00} | 110.00 ^{+0.00} _{-0.14} | 130.00 ^{+0.10} _{+0.00} | 46.29 |
| MUSN-110X135X12 | 110 | 135 | 12 | 13.00 ±0.20 | 110.00 ^{-0.036} _{-0.090} | 135.00 ^{+0.16} _{+0.00} | 110.00 ^{+0.00} _{-0.14} | 135.00 ^{+0.10} _{+0.00} | 10.01 |
| MUSN-112X125X9 | 112 | 125 | 9 | 10.00 ±0.20 | 112.00 ^{-0.036} _{-0.090} | 125.00 ^{+0.00} _{-0.20} | 112.00 ^{+0.00} _{-0.20} | 125.00 ^{+0.10} _{+0.00} | 10.33 |
| MUSN-112X132X15 | 112 | 132 | 15 | 16.00 ±0.20 | 112.00 ^{-0.036} _{-0.090} | 132.00 ^{+0.16} _{+0.00} | 112.00 ^{+0.00} _{-0.14} | 132.00 ^{+0.10} _{+0.00} | 48.80 |
| MUSN-115X130X9 | 115 | 130 | 9 | 10.00 ^{+0.30} _{+0.00} | 115.00 ^{-0.036} _{-0.090} | 130.00 ^{+0.00} _{-0.20} | 115.00 ^{+0.00} _{-0.14} | 130.00 ^{+0.10} _{+0.00} | 42.52 |
| MUSN-118X138X15 | 118 | 138 | 15 | 16.00 ±0.20 | 118.00 ^{-0.036} _{-0.090} | 138.00 ^{+0.16} _{+0.00} | 118.00 ^{+0.00} _{-0.14} | 138.00 ^{+0.10} _{+0.00} | 55.06 |
| MUSN-120X140X10 | 120 | 140 | 10 | 11.00 ±0.20 | 120.00 ^{-0.036} _{-0.090} | 140.00 ^{+0.16} _{+0.00} | 120.00 ^{+0.00} _{-0.14} | 140.00 ^{+0.10} _{+0.00} | 10.56 |
| MUSN-120X140X15 | 120 | 140 | 15 | 16.00 ±0.20 | 120.00 ^{-0.036} _{-0.090} | 140.00 ^{+0.16} _{+0.00} | 120.00 ^{+0.00} _{-0.14} | 140.00 ^{+0.10} _{+0.00} | 56.30 |
| MUSN-125X140X9 | 125 | 140 | 9 | 10.00 ±0.20 | 125.00 ^{-0.043} _{-0.106} | 140.00 ^{+0.00} _{-0.20} | 125.00 ^{+0.00} _{-0.20} | 140.00 ^{+0.10} _{+0.00} | 12.72 |
| MUSN-130X150X15 | 130 | 150 | 15 | 16.00 ±0.20 | 130.00 ^{-0.043} _{-0.106} | 150.00 ^{+0.16} _{+0.00} | 130.00 ^{+0.00} _{-0.16} | 150.00 ^{+0.10} _{+0.00} | 71.96 |
| MUSN-136X150X9 | 136 | 150 | 9 | 10.00 ±0.20 | 136.00 ^{-0.043} _{-0.106} | 150.00 ^{+0.16} _{+0.00} | 136.00 ^{+0.00} _{-0.16} | 150.00 ^{+0.10} _{+0.00} | 14.63 |
| MUSN-140X160X15 | 140 | 160 | 15 | 16.00 ±0.20 | 140.00 ^{-0.043} _{-0.106} | 160.00 ^{+0.16} _{+0.00} | 140.00 ^{+0.00} _{-0.16} | 160.00 ^{+0.10} _{+0.00} | 81.97 |
| MUSN-145X160X9 | 145 | 160 | 9 | 10.00 ±0.20 | 145.00 ^{-0.043} _{-0.106} | 160.00 ^{+0.00} _{-0.20} | 145.00 ^{+0.00} _{-0.20} | 160.00 ^{+0.10} _{+0.00} | 16.17 |
| MUSN-150X165X9 | 150 | 165 | 9 | 10.00 ±0.20 | 150.00 ^{-0.043} _{-0.106} | 165.00 ^{+0.00} _{-0.20} | 150.00 ^{+0.00} _{-0.20} | 165.00 ^{+0.10} _{+0.00} | 16.78 |
| MUSN-160X175X9 | 160 | 175 | 9 | 10.00 ±0.20 | 160.00 ^{-0.043} _{-0.106} | 175.00 ^{+0.00} _{-0.20} | 160.00 ^{+0.00} _{-0.20} | 175.00 ^{+0.10} _{+0.00} | 19.32 |
| MUSN-165X180X9 | 165 | 180 | 9 | 10.00 ±0.20 | 165.00 ^{-0.043} _{-0.106} | 180.00 ^{+0.00} _{-0.20} | 165.00 ^{+0.00} _{-0.20} | 180.00 ^{+0.10} _{+0.00} | 20.33 |
| MUSN-180X200X12 | 180 | 200 | 12 | 13.00 ±0.20 | 180.00 ^{-0.043} _{-0.106} | 200.00 ^{+0.00} _{-0.20} | 180.00 ^{+0.00} _{-0.20} | 200.00 ^{+0.115} _{+0.000} | 22.95 |
| MUSN-200X220X12 | 200 | 220 | 12 | 13.00 ±0.20 | 200.00 ^{-0.050} _{-0.122} | 220.00 ^{+0.00} _{-0.20} | 200.00 ^{+0.00} _{-0.20} | 220.00 ^{+0.115} _{+0.000} | 27.11 |
| MUSN-204X224X12 | 204 | 224 | 12 | 13.00 ±0.20 | 204.00 ^{-0.050} _{-0.122} | 224.00 ^{+0.00} _{-0.20} | 204.00 ^{+0.00} _{-0.20} | 224.00 ^{+0.115} _{+0.000} | 29.19 |
| MUSN-230X250X12 | 230 | 250 | 12 | 13.00 ±0.20 | 230.00 ^{-0.050} _{-0.122} | 250.00 ^{+0.00} _{-0.20} | 230.00 ^{+0.00} _{-0.20} | 250.00 ^{+0.115} _{+0.000} | 32.93 |

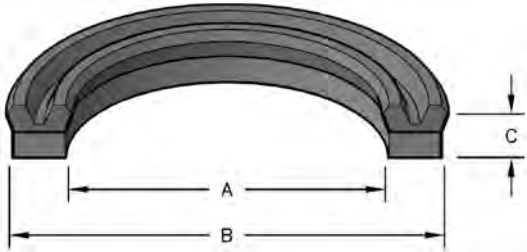
U-SEALS

Seal color may vary. Special order sizes are available. Sizes not shown and out of stock items can also be ordered for next day delivery through Seals On Demand, our custom seal program. Please call your regional sales team for assistance.

FORMERLY LISTED SEALS ARE AVAILABLE ONLINE AT WWW.HERCULESUS.COM
OR BY CONTACTING YOUR REGIONAL HERCULES SALES TEAM.

STYLE MUFN-U SYMMETRICAL U-SEALS

Incorporating a rubber U-cup shape and a rubberized fabric heel, this seal provides excellent sealability and high strength. The 'U' shape design decreases the radial interference for lower lip friction.

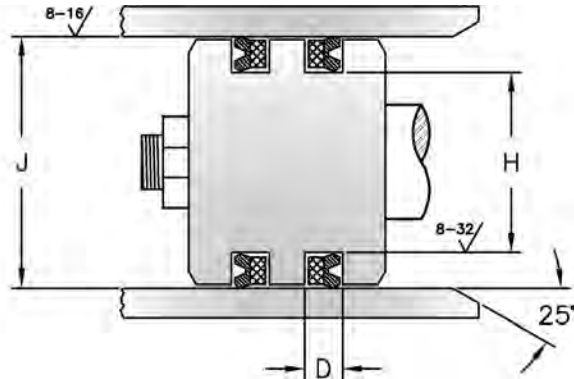
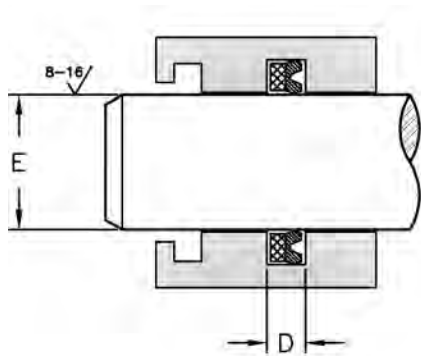


HERCULES PART NUMBERS

MUFN - 56 X 71 X 9.5
 Style Prefix Inside Diameter Outside Diameter Height

SEAL INFORMATION

| | |
|-------------------|-----------------------|
| MATERIAL | NITRILE / FABRIC BASE |
| TEMPERATURE RANGE | -22° TO +212° F |
| PRESSURE RANGE | 0 TO 2,900 PSI |
| SPEED | 1.5 FT/SEC |

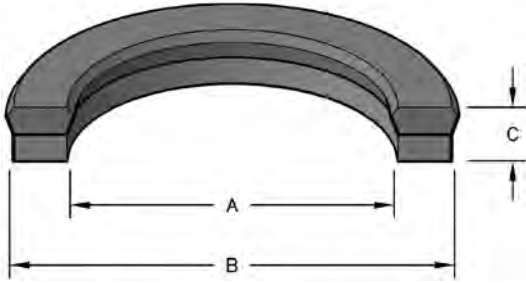


| Part Number | A Nom. ID | B Nom. OD | C Nom. Ht | D GROOVE WIDTH | H GROOVE DIAMETER | J BORE DIAMETER | List Price |
|-----------------|--------------|--------------|--------------|------------------------|----------------------|-------------------------|------------|
| MUFN-56X71X9.5U | 56 | 71 | 9.5 | 9.50 +0.60 +0.40 | 56.00 ±0.06 | 71.00 +0.12 +0.00 | \$10.84 |
| MUFN-63X78X9.5U | 63 | 78 | 9.5 | 9.50 +0.60 +0.40 | 63.00 ±0.06 | 78.00 +0.12 +0.00 | 11.96 |

Seal color may vary. Special order sizes are available.

STYLE MUFN-P SYMMETRICAL SEALS

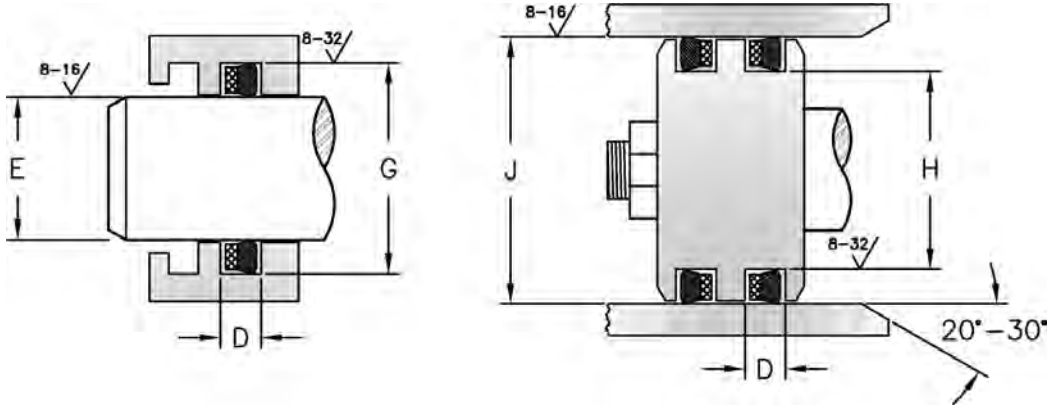
Incorporating a rubber seal lip and a rubberized fabric heel, this seal provides excellent sealability and high strength.



HERCULES PART NUMBERS

MUFN - 12 X 19 X 6
 Style Prefix Inside Diameter Outside Diameter Height

| SEAL INFORMATION | |
|-------------------|-----------------------|
| MATERIAL | NITRILE / FABRIC BASE |
| TEMPERATURE RANGE | -22° TO +212° F |
| PRESSURE RANGE | 0 TO 2,900 |
| SPEED | 1.5 FT/SEC |



| Part Number | A Nom. ID | B Nom. OD | C Nom. Ht | D GROOVE WIDTH | E ROD DIAMETER | G HOUSING DIAMETER | H GROOVE DIAMETER | J BORE DIAMETER | List Price |
|-----------------|--------------|--------------|--------------|------------------------|---------------------------|--------------------------|---------------------------|---------------------------|------------|
| MUFN-12X19X6P | 12 | 19 | 6 | 6.00 +0.60 +0.40 | 12.00 +0.000 -0.043 | 19.00 +0.13 +0.00 | 12.00 -0.016 -0.043 | 19.00 +0.052 +0.000 | \$8.59 |
| MUFN-12X20X6.3P | 12 | 20 | 6.3 | 6.30 +0.60 +0.40 | 12.00 +0.000 -0.043 | 20.00 +0.13 +0.00 | 12.00 -0.016 -0.043 | 20.00 +0.052 +0.000 | 6.51 |
| MUFN-14X22X6P | 14 | 22 | 6 | 6.00 +0.60 +0.40 | 14.00 +0.000 -0.043 | 22.00 +0.13 +0.00 | 14.00 -0.016 -0.043 | 22.00 +0.052 +0.000 | 7.31 |
| MUFN-15X23X5.8P | 15 | 23 | 5.8 | 5.80 +0.60 +0.40 | 15.00 +0.000 -0.043 | 23.00 +0.13 +0.00 | 15.00 -0.016 -0.043 | 23.00 +0.052 +0.000 | 6.51 |
| MUFN-16X24X6P | 16 | 24 | 6 | 6.00 +0.60 +0.40 | 16.00 +0.000 -0.043 | 24.00 +0.13 +0.00 | 16.00 -0.016 -0.043 | 24.00 +0.052 +0.000 | 5.09 |
| MUFN-18X24X5P | 18 | 24 | 5 | 5.00 +0.60 +0.40 | 18.00 +0.000 -0.043 | 24.00 +0.13 +0.00 | 18.00 -0.016 -0.043 | 24.00 +0.052 +0.000 | 7.16 |
| MUFN-18X25X6.5P | 18 | 25 | 6.5 | 6.50 +0.60 +0.40 | 18.00 +0.000 -0.043 | 25.00 +0.13 +0.00 | 18.00 -0.016 -0.043 | 25.00 +0.052 +0.000 | 7.04 |
| MUFN-18X26X5.8P | 18 | 26 | 5.8 | 5.80 +0.60 +0.40 | 18.00 +0.000 -0.043 | 26.00 +0.13 +0.00 | 18.00 -0.016 -0.043 | 26.00 +0.052 +0.000 | 3.42 |
| MUFN-18X26X6P | 18 | 26 | 6 | 6.00 +0.60 +0.40 | 18.00 +0.000 -0.043 | 26.00 +0.13 +0.00 | 18.00 -0.016 -0.043 | 26.00 +0.052 +0.000 | 6.12 |
| MUFN-18X28X5.8P | 18 | 28 | 5.8 | 5.80 +0.60 +0.40 | 18.00 +0.000 -0.043 | 28.00 +0.13 +0.00 | 18.00 -0.016 -0.043 | 28.00 +0.052 +0.000 | 7.16 |
| MUFN-20X26X5P | 20 | 26 | 5 | 5.00 +0.60 +0.40 | 20.00 +0.000 -0.052 | 26.00 +0.13 +0.00 | 20.00 -0.020 -0.053 | 26.00 +0.052 +0.000 | 4.68 |
| MUFN-20X28X5.8P | 20 | 28 | 5.8 | 5.80 +0.60 +0.40 | 20.00 +0.000 -0.052 | 28.00 +0.13 +0.00 | 20.00 -0.020 -0.053 | 28.00 +0.052 +0.000 | 5.46 |
| MUFN-20X28X6.5P | 20 | 28 | 6.5 | 6.50 +0.60 +0.40 | 20.00 +0.000 -0.052 | 28.00 +0.13 +0.00 | 20.00 -0.020 -0.053 | 28.00 +0.052 +0.000 | 6.12 |
| MUFN-20X30X8P | 20 | 30 | 8 | 8.00 +0.60 +0.40 | 20.00 +0.000 -0.052 | 30.00 +0.13 +0.00 | 20.00 -0.020 -0.053 | 30.00 +0.052 +0.000 | 5.73 |
| MUFN-22X30X6.5P | 22 | 30 | 6.5 | 6.50 +0.60 +0.40 | 22.00 +0.000 -0.052 | 30.00 +0.13 +0.00 | 22.00 -0.020 -0.053 | 30.00 +0.052 +0.000 | 5.33 |

FORMERLY LISTED SEALS ARE AVAILABLE ONLINE AT WWW.HERCULESUS.COM
 OR BY CONTACTING YOUR REGIONAL HERCULES SALES TEAM.



STYLE MUFN-P SYMMETRICAL SEALS

U-SEALS

| Part Number | A Nom. ID | B Nom. OD | C Nom. Ht | D GROOVE WIDTH | E ROD DIAMETER | G HOUSING DIAMETER | H GROOVE DIAMETER | J BORE DIAMETER | List Price |
|------------------|--------------|--------------|--------------|-------------------------|---------------------------|--------------------------|---------------------------|---------------------------|---------------|
| MUFN-22X30X7P | 22 | 30 | 7 | 7.00 +0.60 +0.40 | 22.00 +0.000 -0.052 | 30.00 +0.13 +0.00 | 22.00 -0.020 -0.053 | 30.00 +0.052 +0.000 | 7.04 |
| MUFN-25X32X6P | 25 | 32 | 6 | 6.00 +0.60 +0.40 | 25.00 +0.000 -0.052 | 32.00 +0.16 +0.00 | 25.00 -0.020 -0.053 | 32.00 +0.062 +0.000 | 7.55 |
| MUFN-25X33X6P | 25 | 33 | 6 | 6.00 +0.60 +0.40 | 25.00 +0.000 -0.052 | 33.00 +0.16 +0.00 | 25.00 -0.020 -0.053 | 33.00 +0.062 +0.000 | 5.99 |
| MUFN-25X35X8P | 25 | 35 | 8 | 8.00 +0.60 +0.40 | 25.00 +0.000 -0.052 | 35.00 +0.16 +0.00 | 25.00 -0.020 -0.053 | 35.00 +0.062 +0.000 | 6.63 |
| MUFN-28X36X6P | 28 | 36 | 6 | 6.00 +0.60 +0.40 | 28.00 +0.000 -0.052 | 36.00 +0.16 +0.00 | 28.00 -0.020 -0.053 | 36.00 +0.062 +0.000 | 5.73 |
| MUFN-30X38X5.78P | 30 | 38 | 5.78 | 5.78 +0.60 +0.40 | 30.00 +0.000 -0.052 | 38.00 +0.16 +0.00 | 30.00 -0.020 -0.053 | 38.00 +0.062 +0.000 | 4.60 |
| MUFN-30X38X6P | 30 | 38 | 6 | 6.00 +0.60 +0.40 | 30.00 +0.000 -0.052 | 38.00 +0.16 +0.00 | 30.00 -0.020 -0.053 | 38.00 +0.062 +0.000 | 5.20 |
| MUFN-30X38X7P | 30 | 38 | 7 | 7.00 +0.60 +0.40 | 30.00 +0.000 -0.052 | 38.00 +0.16 +0.00 | 30.00 -0.020 -0.053 | 38.00 +0.062 +0.000 | 7.92 |
| MUFN-30X40X7P | 30 | 40 | 7 | 7.00 +0.60 +0.40 | 30.00 +0.000 -0.052 | 40.00 +0.16 +0.00 | 30.00 -0.020 -0.053 | 40.00 +0.062 +0.000 | 5.20 |
| MUFN-32X40X6P | 32 | 40 | 6 | 6.00 +0.60 +0.40 | 32.00 +0.000 -0.062 | 40.00 +0.16 +0.00 | 32.00 -0.025 -0.064 | 40.00 +0.062 +0.000 | 6.63 |
| MUFN-32X47X10.5P | 32 | 47 | 10.5 | 10.50 +0.60 +0.40 | 32.00 +0.000 -0.062 | 47.00 +0.16 +0.00 | 32.00 -0.025 -0.064 | 47.00 +0.062 +0.000 | 7.31 |
| MUFN-35X43X6P | 35 | 43 | 6 | 6.00 +0.60 +0.40 | 35.00 +0.000 -0.062 | 43.00 +0.16 +0.00 | 35.00 -0.025 -0.064 | 43.00 +0.062 +0.000 | 6.91 |
| MUFN-35X45X7.5P | 35 | 45 | 7.5 | 7.50 +0.60 +0.40 | 35.00 +0.000 -0.062 | 45.00 +0.16 +0.00 | 35.00 -0.025 -0.064 | 45.00 +0.062 +0.000 | 5.99 |
| MUFN-35X50X10.5P | 35 | 50 | 10.5 | 10.50 +0.60 +0.40 | 35.00 +0.000 -0.062 | 50.00 +0.16 +0.00 | 35.00 -0.025 -0.064 | 50.00 +0.062 +0.000 | 8.18 |
| MUFN-36X44X5.8P | 36 | 44 | 5.8 | 5.80 +0.60 +0.40 | 36.00 +0.000 -0.062 | 44.00 +0.16 +0.00 | 36.00 -0.025 -0.064 | 44.00 +0.062 +0.000 | 5.60 |
| MUFN-36X44X6P | 36 | 44 | 6 | 6.00 +0.60 +0.40 | 36.00 +0.000 -0.062 | 44.00 +0.16 +0.00 | 36.00 -0.025 -0.064 | 44.00 +0.062 +0.000 | 5.99 |
| MUFN-36X44X8P | 36 | 44 | 8 | 8.00 +0.60 +0.40 | 36.00 +0.000 -0.062 | 44.00 +0.16 +0.00 | 36.00 -0.025 -0.064 | 44.00 +0.062 +0.000 | 7.80 |
| MUFN-36X46X7.5P | 36 | 46 | 7.5 | 7.50 +0.60 +0.40 | 36.00 +0.000 -0.062 | 46.00 +0.16 +0.00 | 36.00 -0.025 -0.064 | 46.00 +0.062 +0.000 | 7.80 |
| MUFN-36X48X9P | 36 | 48 | 9 | 9.00 +0.60 +0.40 | 36.00 +0.000 -0.062 | 48.00 +0.16 +0.00 | 36.00 -0.025 -0.064 | 48.00 +0.062 +0.000 | 20.79 |
| MUFN-36X51X11P | 36 | 51 | 11 | 11.00 +0.60 +0.40 | 36.00 +0.000 -0.062 | 51.00 +0.19 +0.00 | 36.00 -0.025 -0.064 | 51.00 +0.074 +0.000 | 7.92 |
| MUFN-38X50X9P | 38 | 50 | 9 | 9.00 +0.60 +0.40 | 38.00 +0.000 -0.062 | 50.00 +0.16 +0.00 | 38.00 -0.025 -0.064 | 50.00 +0.062 +0.000 | 9.12 |
| MUFN-40X48X6P | 40 | 48 | 6 | 6.00 +0.60 +0.40 | 40.00 +0.000 -0.062 | 48.00 +0.16 +0.00 | 40.00 -0.025 -0.064 | 48.00 +0.062 +0.000 | 6.76 |
| MUFN-40X48X8P | 40 | 48 | 8 | 8.00 +0.60 +0.40 | 40.00 +0.000 -0.062 | 48.00 +0.16 +0.00 | 40.00 -0.025 -0.064 | 48.00 +0.062 +0.000 | 8.59 |
| MUFN-40X50X7P | 40 | 50 | 7 | 7.00 +0.60 +0.40 | 40.00 +0.000 -0.062 | 50.00 +0.16 +0.00 | 40.00 -0.025 -0.064 | 50.00 +0.062 +0.000 | 6.25 |
| MUFN-40X50X10P | 40 | 50 | 10 | 10.00 +0.60 +0.40 | 40.00 +0.000 -0.062 | 50.00 +0.16 +0.00 | 40.00 -0.025 -0.064 | 50.00 +0.062 +0.000 | 6.91 |
| MUFN-40X50X10.5P | 40 | 50 | 10.5 | 10.50 +0.60 +0.40 | 40.00 +0.000 -0.062 | 50.00 +0.16 +0.00 | 40.00 -0.025 -0.064 | 50.00 +0.062 +0.000 | 6.91 |
| MUFN-40X55X11P | 40 | 55 | 11 | 11.00 +0.60 +0.40 | 40.00 +0.000 -0.062 | 55.00 +0.19 +0.00 | 40.00 -0.025 -0.064 | 55.00 +0.074 +0.000 | 8.85 |
| MUFN-40X60X14P | 40 | 60 | 14 | 14.00 +0.60 +0.40 | 40.00 +0.000 -0.062 | 60.00 +0.19 +0.00 | 40.00 -0.025 -0.064 | 60.00 +0.074 +0.000 | 8.69 |
| MUFN-42X50X6P | 42 | 50 | 6 | 6.00 +0.60 +0.40 | 42.00 +0.000 -0.062 | 50.00 +0.16 +0.00 | 42.00 -0.025 -0.064 | 50.00 +0.062 +0.000 | 10.02 |
| MUFN-45X55X7.5P | 45 | 55 | 7.5 | 7.50 +0.60 +0.40 | 45.00 +0.000 -0.062 | 55.00 +0.19 +0.00 | 45.00 -0.025 -0.064 | 55.00 +0.074 +0.000 | 7.70 |
| MUFN-45X55X10P | 45 | 55 | 10 | 10.00 +0.60 +0.40 | 45.00 +0.000 -0.062 | 55.00 +0.19 +0.00 | 45.00 -0.025 -0.064 | 55.00 +0.074 +0.000 | 7.71 |
| MUFN-45X60X10P | 45 | 60 | 10 | 10.00 +0.60 +0.40 | 45.00 +0.000 -0.062 | 60.00 +0.19 +0.00 | 45.00 -0.025 -0.064 | 60.00 +0.074 +0.000 | 9.23 |
| MUFN-50X58X8P | 50 | 58 | 8 | 8.00 +0.60 +0.40 | 50.00 +0.000 -0.062 | 58.00 +0.19 +0.00 | 50.00 -0.025 -0.064 | 58.00 +0.074 +0.000 | 8.09 |

NORTH AMERICA
PHONE 1-800-777-5617
FAX 1-800-759-6391

SALES OFFICE HOURS
8 A.M. TO 7:30 P.M. EASTERN TIME
www.HerculesUS.com

WORLDWIDE
PHONE 1-727-796-1300
FAX 1-727-797-8849



STYLE MUFN-P SYMMETRICAL SEALS

| Part Number | A Nom. ID | B Nom. OD | C Nom. Ht | D GROOVE WIDTH | E ROD DIAMETER | G HOUSING DIAMETER | H GROOVE DIAMETER | J BORE DIAMETER | List Price |
|------------------|--------------|--------------|--------------|-------------------------|----------------------------|--------------------------|----------------------------|----------------------------|---------------|
| MUFN-50X60X7.5P | 50 | 60 | 7.5 | 7.50 +0.60 +0.40 | 50.00 +0.000 -0.062 | 60.00 +0.19 +0.00 | 50.00 -0.025 -0.064 | 60.00 +0.074 +0.000 | 7.80 |
| MUFN-50X65X10.5P | 50 | 65 | 10.5 | 10.50 +0.60 +0.40 | 50.00 +0.000 -0.062 | 65.00 +0.19 +0.00 | 50.00 -0.025 -0.064 | 65.00 +0.074 +0.000 | 10.93 |
| MUFN-50X65X11P | 50 | 65 | 11 | 11.00 +0.60 +0.40 | 50.00 +0.000 -0.062 | 65.00 +0.19 +0.00 | 50.00 -0.025 -0.064 | 65.00 +0.074 +0.000 | 10.68 |
| MUFN-50X70X13.5P | 50 | 70 | 13.5 | 13.50 +0.60 +0.40 | 50.00 +0.000 -0.062 | 70.00 +0.19 +0.00 | 50.00 -0.025 -0.064 | 70.00 +0.074 +0.000 | 6.92 |
| MUFN-50X70X14P | 50 | 70 | 14 | 14.00 +0.60 +0.40 | 50.00 +0.000 -0.062 | 70.00 +0.19 +0.00 | 50.00 -0.025 -0.064 | 70.00 +0.074 +0.000 | 10.68 |
| MUFN-55X65X7.5P | 55 | 65 | 7.5 | 7.50 +0.60 +0.40 | 55.00 +0.000 -0.074 | 65.00 +0.19 +0.00 | 55.00 -0.030 -0.076 | 65.00 +0.074 +0.000 | 10.68 |
| MUFN-56X66X7.5P | 56 | 66 | 7.5 | 7.50 +0.60 +0.40 | 56.00 +0.000 -0.074 | 66.00 +0.19 +0.00 | 56.00 -0.030 -0.076 | 66.00 +0.074 +0.000 | 10.93 |
| MUFN-56X76X14P | 56 | 76 | 14 | 14.00 +0.60 +0.40 | 56.00 +0.000 -0.074 | 76.00 +0.19 +0.00 | 56.00 -0.030 -0.076 | 76.00 +0.074 +0.000 | 12.75 |
| MUFN-60X70X7.2P | 60 | 70 | 7.2 | 7.20 +0.60 +0.40 | 60.00 +0.000 -0.074 | 70.00 +0.19 +0.00 | 60.00 -0.030 -0.076 | 70.00 +0.074 +0.000 | 6.92 |
| MUFN-60X70X7.5P | 60 | 70 | 7.5 | 7.50 +0.60 +0.40 | 60.00 +0.000 -0.074 | 70.00 +0.19 +0.00 | 60.00 -0.030 -0.076 | 70.00 +0.074 +0.000 | 10.29 |
| MUFN-60X72X9.5P | 60 | 72 | 9.5 | 9.50 +0.60 +0.40 | 60.00 +0.000 -0.074 | 72.00 +0.19 +0.00 | 60.00 -0.030 -0.076 | 72.00 +0.074 +0.000 | 11.96 |
| MUFN-60X80X14P | 60 | 80 | 14 | 14.00 +0.60 +0.40 | 60.00 +0.000 -0.074 | 80.00 +0.19 +0.00 | 60.00 -0.030 -0.076 | 80.00 +0.074 +0.000 | 11.86 |
| MUFN-63X75X9P | 63 | 75 | 9 | 9.00 +0.60 +0.40 | 63.00 +0.000 -0.074 | 75.00 +0.19 +0.00 | 63.00 -0.030 -0.076 | 75.00 +0.074 +0.000 | 11.86 |
| MUFN-65X77X9P | 65 | 77 | 9 | 9.00 +0.60 +0.40 | 65.00 +0.000 -0.074 | 77.00 +0.19 +0.00 | 65.00 -0.030 -0.076 | 77.00 +0.074 +0.000 | 12.24 |
| MUFN-65X80X11P | 65 | 80 | 11 | 11.00 +0.60 +0.40 | 65.00 +0.000 -0.074 | 80.00 +0.19 +0.00 | 65.00 -0.030 -0.076 | 80.00 +0.074 +0.000 | 11.74 |
| MUFN-70X78X6P | 70 | 78 | 6 | 6.00 +0.60 +0.40 | 70.00 +0.000 -0.074 | 78.00 +0.19 +0.00 | 70.00 -0.030 -0.076 | 78.00 +0.074 +0.000 | 48.52 |
| MUFN-70X80X7.5P | 70 | 80 | 7.5 | 7.50 +0.60 +0.40 | 70.00 +0.000 -0.074 | 80.00 +0.19 +0.00 | 70.00 -0.030 -0.076 | 80.00 +0.074 +0.000 | 11.86 |
| MUFN-70X82X9P | 70 | 82 | 9 | 9.00 +0.60 +0.40 | 70.00 +0.000 -0.074 | 82.00 +0.22 +0.00 | 70.00 -0.030 -0.076 | 82.00 +0.087 +0.000 | 13.01 |
| MUFN-70X84X12P | 70 | 84 | 12 | 12.00 +0.60 +0.40 | 70.00 +0.000 -0.074 | 84.00 +0.22 +0.00 | 70.00 -0.030 -0.076 | 84.00 +0.087 +0.000 | 13.12 |
| MUFN-70X90X13.5P | 70 | 90 | 13.5 | 13.50 +0.60 +0.40 | 70.00 +0.000 -0.074 | 90.00 +0.22 +0.00 | 70.00 -0.030 -0.076 | 90.00 +0.087 +0.000 | 13.28 |
| MUFN-70X90X14P | 70 | 90 | 14 | 14.00 +0.60 +0.40 | 70.00 +0.000 -0.074 | 90.00 +0.22 +0.00 | 70.00 -0.030 -0.076 | 90.00 +0.087 +0.000 | 13.28 |
| MUFN-80X92X8.6P | 80 | 92 | 8.6 | 8.60 +0.60 +0.40 | 80.00 +0.000 -0.074 | 92.00 +0.22 +0.00 | 80.00 -0.030 -0.076 | 92.00 +0.087 +0.000 | 8.77 |
| MUFN-80X92X9P | 80 | 92 | 9 | 9.00 +0.60 +0.40 | 80.00 +0.000 -0.074 | 92.00 +0.22 +0.00 | 80.00 -0.030 -0.076 | 92.00 +0.087 +0.000 | 15.62 |
| MUFN-80X100X14P | 80 | 100 | 14 | 14.00 +0.60 +0.40 | 80.00 +0.000 -0.074 | 100.00 +0.22 +0.00 | 80.00 -0.030 -0.076 | 100.00 +0.087 +0.000 | 15.88 |
| MUFN-85X100X12 | 85 | 100 | 12 | 12.00 +0.60 +0.40 | | 100.00 +0.22 +0.00 | 85.00 -0.036 -0.090 | 100.00 +0.087 +0.000 | 8.88 |
| MUFN-85X100X12P | 85 | 100 | 12 | 12.00 +0.60 +0.40 | 85.00 +0.000 -0.087 | 100.00 +0.22 +0.00 | 85.00 -0.036 -0.090 | 100.00 +0.087 +0.000 | 18.23 |
| MUFN-90X102X8.6P | 90 | 102 | 8.6 | 8.60 +0.60 +0.40 | 90.00 +0.000 -0.087 | 102.00 +0.22 +0.00 | 90.00 -0.036 -0.090 | 102.00 +0.087 +0.000 | 9.55 |
| MUFN-90X102X9P | 90 | 102 | 9 | 9.00 +0.60 +0.40 | 90.00 +0.000 -0.087 | 102.00 +0.22 +0.00 | 90.00 -0.036 -0.090 | 102.00 +0.087 +0.000 | 18.62 |
| MUFN-90X105X12P | 90 | 105 | 12 | 12.00 +0.60 +0.40 | 90.00 +0.000 -0.087 | 105.00 +0.22 +0.00 | 90.00 -0.036 -0.090 | 105.00 +0.087 +0.000 | 16.68 |
| MUFN-100X115X12P | 100 | 115 | 12 | 12.00 +0.60 +0.40 | 100.00 +0.000 -0.087 | 115.00 +0.22 +0.00 | 100.00 -0.036 -0.090 | 115.00 +0.087 +0.000 | 18.10 |
| MUFN-100X120X14P | 100 | 120 | 14 | 14.00 +0.60 +0.40 | 100.00 +0.000 -0.087 | 120.00 +0.22 +0.00 | 100.00 -0.036 -0.090 | 120.00 +0.087 +0.000 | 18.49 |
| MUFN-110X125X11P | 110 | 125 | 11 | 11.00 +0.60 +0.40 | 110.00 +0.000 -0.087 | 125.00 +0.25 +0.00 | 110.00 -0.036 -0.090 | 125.00 +0.10 +0.00 | 20.57 |
| MUFN-110X125X11 | 110 | 125 | 11.7 | 12.00 +0.20 +0.00 | 110.00 +0.000 -0.087 | 125.00 +0.25 +0.00 | 110.00 -0.036 -0.090 | 125.00 +0.10 +0.00 | 10.04 |

U-SEALS

FORMERLY LISTED SEALS ARE AVAILABLE ONLINE AT WWW.HERCULESUS.COM
OR BY CONTACTING YOUR REGIONAL HERCULES SALES TEAM.

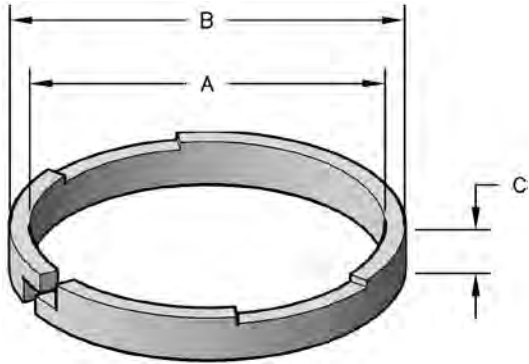


STYLE MUFN-P SYMMETRICAL SEALS

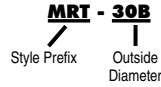
| Part Number | A Nom. ID | B Nom. OD | C Nom. Ht | D GROOVE WIDTH | E ROD DIAMETER | G HOUSING DIAMETER | H GROOVE DIAMETER | J BORE DIAMETER | List Price |
|---------------------|--------------|--------------|--------------|-------------------------|----------------------------|--------------------------|----------------------------|----------------------------|---------------|
| MUFN-120X132.7X9.5P | 120 | 132.7 | 9.5 | 9.50 +0.60 +0.40 | 120.00 +0.000 -0.087 | 132.70 +0.25 +0.00 | 120.00 -0.036 -0.090 | 132.70 +0.10 +0.00 | 44.49 |
| MUFN-160X180X15P | 160 | 180 | 15 | 15.00 +0.60 +0.40 | 160.00 +0.00 -0.10 | 180.00 +0.25 +0.00 | 160.00 -0.043 -0.106 | 180.00 +0.10 +0.00 | 67.11 |
| MUFN-180X200X15P | 180 | 200 | 15 | 15.00 +0.60 +0.40 | 180.00 +0.00 -0.10 | 200.00 +0.29 +0.00 | 180.00 -0.043 -0.106 | 200.00 +0.115 +0.000 | 34.21 |

U-SEALS

STYLE MRT CUSHION SEALS



HERCULES PART NUMBERS



| SEAL INFORMATION | |
|-------------------|--|
| MATERIAL | NYLON OR REINFORCED PHENOLIC |
| TEMPERATURE RANGE | N = -67° TO +212° F P = -67° TO +248° F |
| PRESSURE RANGE | 0 TO 5,000 PSI |

| Part Number | A Nom. ID | B Nom. OD | C Nom. Ht | INSIDE DIAMETER | OUTSIDE DIAMETER | C HEIGHT | CROSS SECTION | SPLIT TYPE | MATERIAL | List Price |
|-------------|-----------|-----------|-----------|-----------------|------------------|--|--|------------|----------|------------|
| MRT-22 | 17.8 | 22 | 3.5 | 19.40 | 23.60 | 3.50 ^{-0.01} / _{-0.15} | 2.10 ^{-0.01} / _{-0.07} | BUTTCUT | NYLON | \$7.20 |
| MRT-30B | 25 | 30 | 5 | 24.80 | 30.00 | 5.00 ^{+0.00} / _{-0.13} | 2.60 ^{-0.01} / _{-0.07} | BUTTCUT | POM | 25.30 |
| MRT-30A | 26 | 30 | 5 | 25.80 | 30.00 | 4.95 ^{+0.00} / _{-0.13} | 2.10 ^{-0.01} / _{-0.07} | BUTTCUT | PHENOLIC | 24.12 |
| MRT-38B | 32 | 38 | 6 | 31.76 | 38.00 | 6.00 ^{+0.00} / _{-0.13} | 3.12 ^{-0.01} / _{-0.07} | BUTTCUT | NYLON | 24.88 |
| MRT-38C | 32 | 38 | 6 | 31.76 | 38.00 | 6.00 ^{+0.00} / _{-0.13} | 3.12 ^{-0.01} / _{-0.07} | BUTTCUT | PHENOLIC | 24.88 |
| MRT-38 | 33 | 38 | 6 | 33.00 | 38.00 | 6.00 ^{+0.00} / _{-0.13} | 2.50 ^{-0.01} / _{-0.07} | BUTTCUT | NYLON | 24.19 |
| MRT-40 | 34 | 39 | 6 | 33.65 | 38.85 | 6.00 ^{+0.00} / _{-0.08} | 2.60 ^{-0.01} / _{-0.07} | BUTTCUT | PHENOLIC | 23.27 |
| MRT-45A | 39 | 45 | 6 | 38.76 | 45.00 | 6.00 ^{-0.01} / _{-0.07} | 3.12 ^{-0.01} / _{-0.07} | BUTTCUT | NYLON | 23.47 |
| MRT-46B | 40 | 46 | 6 | 39.80 | 46.00 | 6.00 ^{+0.00} / _{-0.07} | 3.10 ^{-0.01} / _{-0.07} | BUTTCUT | NYLON | 46.85 |
| MRT-46 | 41 | 46 | 6 | 41.00 | 46.00 | 6.00 ^{+0.00} / _{-0.13} | 2.50 ^{-0.01} / _{-0.07} | BUTTCUT | NYLON | 17.49 |
| MRT-46C | 41 | 47 | 6 | 41.00 | 47.00 | 6.00 ^{+0.00} / _{-0.20} | 3.00 ^{-0.01} / _{-0.07} | BUTTCUT | PHENOLIC | 5.75 |
| MRT-52 | 46 | 52 | 6 | 45.60 | 51.60 | 6.00 ^{-0.01} / _{-0.14} | 3.00 ^{-0.01} / _{-0.07} | BUTTCUT | PHENOLIC | 21.42 |
| MRT-55A | 48 | 54 | 6 | 48.50 | 54.42 | 6.00 ^{+0.00} / _{-0.25} | 2.96 ±0.03 | STEEPCUT | PHENOLIC | 23.78 |
| MRT-65B | 58 | 64 | 6 | 58.10 | 64.00 | 6.00 | 2.95 | STEEPCUT | NYLON | 28.82 |
| MRT-65A | 59 | 65 | 6 | 58.76 | 65.00 | 6.00 ^{+0.00} / _{-0.13} | 3.12 ^{-0.01} / _{-0.07} | BUTTCUT | PHENOLIC | 28.82 |
| MRT-65 | 60 | 65 | 6 | 60.00 | 65.00 | 6.00 ^{+0.00} / _{-0.13} | 2.50 ^{-0.01} / _{-0.07} | BUTTCUT | NYLON | 27.24 |
| MRT-71 | 61.4 | 71 | 6 | 61.40 | 71.00 | 6.00 ^{+0.00} / _{-0.13} | 4.80 ^{-0.01} / _{-0.07} | STEEPCUT | PHENOLIC | 13.33 |
| MRT-70A | 63 | 69 | 6 | 63.00 | 69.00 | 6.00 ^{+0.00} / _{-0.13} | 3.00 ^{-0.01} / _{-0.07} | STEEPCUT | PHENOLIC | 28.82 |
| MRT-70B | 64 | 70 | 6 | 64.00 | 70.00 | 6.00 ^{+0.00} / _{-0.13} | 3.00 ^{-0.01} / _{-0.07} | BUTTCUT | NYLON | 5.06 |
| MRT-70 | 65 | 70 | 6 | 65.00 | 70.00 | 6.00 ^{+0.00} / _{-0.13} | 2.50 ^{-0.01} / _{-0.07} | BUTTCUT | NYLON | 30.25 |
| MRT-72A | 65 | 71 | 6 | 64.80 | 70.80 | 6.00 ^{+0.00} / _{-0.13} | 3.00 ^{-0.01} / _{-0.07} | STEEPCUT | PHENOLIC | 29.68 |
| MRT-72 | 66 | 72 | 8 | 66.00 | 72.00 | 8.00 ^{-0.01} / _{-0.07} | 3.00 ^{-0.01} / _{-0.07} | STEEPCUT | PHENOLIC | 17.53 |

CUSHION SEALS



STYLE MRT CUSHION SEALS

CUSHION SEALS

| Part Number | A Nom. ID | B Nom. OD | C Nom. Ht | INSIDE DIAMETER | OUTSIDE DIAMETER | C HEIGHT | CROSS SECTION | SPLIT TYPE | MATERIAL | List Price |
|-------------|-----------|-----------|-----------|-----------------|------------------|---|--|------------|----------|------------|
| MRT-75A | 68 | 74 | 6 | 68.00 | 74.00 | 6.00 ^{+0.00} / _{-0.13} | 3.00 ^{-0.01} / _{-0.07} | STPCUT | PHENOLIC | 30.75 |
| MRT-75C | 69 | 75 | 6 | 68.76 | 75.00 | 6.00 ^{+0.00} / _{-0.13} | 3.12 ^{-0.01} / _{-0.07} | BUTTCUT | PHENOLIC | 30.00 |
| MRT-80A | 69 | 79 | 8 | 69.00 | 78.85 | 8.00 ^{+0.00} / _{-0.13} | 5.00 ^{-0.01} / _{-0.07} | STPCUT | PHENOLIC | 27.63 |
| MRT-80B | 69 | 79 | 10 | 68.85 | 78.85 | 10.00 ^{+0.00} / _{-0.13} | 5.00 ^{-0.01} / _{-0.07} | STPCUT | PHENOLIC | 21.34 |
| MRT-75 | 70 | 75 | 6 | 70.00 | 75.00 | 6.00 ^{+0.00} / _{-0.13} | 2.50 ^{-0.01} / _{-0.07} | BUTTCUT | NYLON | 33.62 |
| MRT-80C | 74 | 80 | 6 | 73.76 | 80.00 | 6.00 ^{+0.00} / _{-0.13} | 3.12 ^{-0.01} / _{-0.07} | BUTTCUT | PHENOLIC | 30.18 |
| MRT-85A | 74 | 84 | 8 | 74.00 | 84.00 | 8.00 ^{+0.00} / _{-0.13} | 5.00 ^{-0.01} / _{-0.07} | STPCUT | PHENOLIC | 27.89 |
| MRT-82 | 74.8 | 81 | 6 | 74.80 | 81.00 | 6.00 ^{+0.00} / _{-0.10} | 3.10 ^{+0.03} / _{-0.05} | BUTTCUT | NYLON | 7.72 |
| MRT-80 | 75 | 80 | 6 | 75.00 | 80.00 | 6.00 ^{+0.00} / _{-0.13} | 2.50 ^{-0.01} / _{-0.07} | BUTTCUT | NYLON | 36.94 |
| MRT-85C | 75 | 85 | 10 | 75.00 | 85.00 | 10.00 ^{-0.01} / _{-0.14} | 5.00 ^{-0.01} / _{-0.07} | STPCUT | PHENOLIC | 27.74 |
| MRT-85B | 79 | 85 | 6 | 78.76 | 85.00 | 6.00 ^{-0.01} / _{-0.08} | 3.12 ^{-0.01} / _{-0.07} | BUTTCUT | NYLON | 27.24 |
| MRT-90A | 79 | 89 | 8 | 79.00 | 89.00 | 8.00 ^{+0.00} / _{-0.13} | 5.00 ^{-0.01} / _{-0.07} | STPCUT | PHENOLIC | 28.15 |
| MRT-85 | 80 | 85 | 6 | 80.00 | 85.00 | 6.00 ^{+0.00} / _{-0.13} | 2.50 ^{-0.01} / _{-0.07} | BUTTCUT | NYLON | 23.55 |
| MRT-89A | 80.5 | 90.5 | 10 | 78.50 | 88.40 | 10.00 ^{-0.01} / _{-0.14} | 5.00 ^{-0.01} / _{-0.07} | STPCUT | PHENOLIC | 21.58 |
| MRT-87 | 81 | 87 | 6 | 80.76 | 87.00 | 6.00 ^{-0.01} / _{-0.07} | 3.12 ^{-0.01} / _{-0.07} | BUTTCUT | NYLON | 3.69 |
| MRT-89 | 84 | 89 | 6 | 84.00 | 89.00 | 6.00 ^{+0.00} / _{-0.13} | 2.50 ^{-0.01} / _{-0.07} | BUTTCUT | PHENOLIC | 34.98 |
| MRT-90C | 84 | 90 | 6 | 83.76 | 90.00 | 6.00 ^{+0.00} / _{-0.13} | 3.12 ^{-0.01} / _{-0.07} | BUTTCUT | PHENOLIC | 31.34 |
| MRT-95A | 84 | 94 | 8 | 83.70 | 93.70 | 8.00 ^{+0.00} / _{-0.13} | 5.00 ^{-0.01} / _{-0.07} | STPCUT | PHENOLIC | 26.91 |
| MRT-90 | 85 | 90 | 6 | 85.00 | 90.00 | 6.00 ^{+0.00} / _{-0.13} | 2.50 ^{-0.01} / _{-0.07} | BUTTCUT | NYLON | 40.69 |
| MRT-95B | 89 | 95 | 6 | 88.76 | 95.00 | 6.00 ^{-0.01} / _{-0.08} | 3.12 ^{-0.01} / _{-0.07} | BUTTCUT | NYLON | 20.63 |
| MRT-100A | 89 | 99 | 8 | 88.85 | 98.85 | 8.00 ^{+0.00} / _{-0.13} | 5.00 ^{-0.01} / _{-0.07} | STPCUT | PHENOLIC | 28.64 |
| MRT-95 | 90 | 95 | 6 | 90.00 | 95.00 | 6.00 ^{+0.00} / _{-0.13} | 2.50 ^{-0.01} / _{-0.07} | BUTTCUT | NYLON | 44.74 |
| MRT-98 | 92.5 | 98.5 | 6 | 92.26 | 98.50 | 6.00 ^{-0.01} / _{-0.07} | 3.12 ^{-0.01} / _{-0.07} | BUTTCUT | NYLON | 24.82 |
| MRT-100B | 94 | 100 | 6 | 93.80 | 100.00 | 6.00 ^{+0.00} / _{-0.13} | 3.10 ^{+0.00} / _{-0.07} | BUTTCUT | | 29.65 |
| MRT-105A | 94 | 104 | 8 | 93.50 | 103.50 | 8.00 ^{+0.00} / _{-0.13} | 5.00 ^{-0.01} / _{-0.07} | STPCUT | PHENOLIC | 32.44 |
| MRT-100 | 95 | 100 | 6 | 95.00 | 100.00 | 6.00 ^{+0.00} / _{-0.13} | 2.50 ^{-0.01} / _{-0.07} | BUTTCUT | NYLON | 23.14 |
| MRT-104A | 95 | 105 | 10 | 94.10 | 104.00 | 10.00 ^{-0.01} / _{-0.14} | 5.00 ^{-0.01} / _{-0.07} | STPCUT | PHENOLIC | 27.54 |
| MRT-105 | 100 | 105 | 6 | 99.84 | 105.00 | 6.00 ^{+0.00} / _{-0.13} | 2.58 ^{-0.01} / _{-0.05} | BUTTCUT | PHENOLIC | 36.48 |
| MRT-110C | 100 | 110 | 10 | 100.00 | 110.00 | 10.00 ^{-0.01} / _{-0.14} | 5.00 ^{-0.01} / _{-0.07} | STPCUT | PHENOLIC | 32.25 |
| MRT-107 | 102 | 107 | 6 | 105.00 | 107.00 | 6.00 ^{±0.13} | 2.60 ^{+0.00} / _{-0.05} | BUTTCUT | PHENOLIC | 27.14 |
| MRT-111BBZ | 103.3 | 109.6 | 6 | 103.30 | 109.60 | 6.00 ^{+0.00} / _{-0.13} | 3.15 ^{+0.00} / _{-0.07} | BUTTCUT | BRONZE | 60.64 |

NORTH AMERICA
PHONE 1-800-777-5617
FAX 1-800-759-6391

SALES OFFICE HOURS
8 A.M. TO 7:30 P.M. EASTERN TIME
www.HerculesUS.com

WORLDWIDE
PHONE 1-727-796-1300
FAX 1-727-797-8849



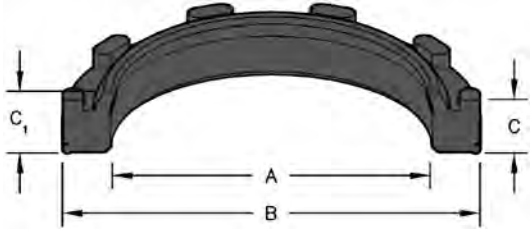
STYLE MRT CUSHION SEALS

| Part Number | A Nom. ID | B Nom. OD | C Nom. Ht | INSIDE DIAMETER | OUTSIDE DIAMETER | C HEIGHT | CROSS SECTION | SPLIT TYPE | MATERIAL | List Price |
|-------------|-----------|-----------|-----------|-----------------|------------------|---|--|------------|----------|------------|
| MRT-110BZ | 104.8 | 110 | 6 | 104.80 | 110.00 | 6.00 ^{+0.00} / _{-0.10} | 2.60 ^{+0.00} / _{-0.07} | BUTT CUT | BRONZE | 81.22 |
| MRT-115ABZ | 108.8 | 115.1 | 6 | 108.80 | 115.10 | 6.00 ^{+0.00} / _{-0.07} | 3.15 ^{+0.00} / _{-0.07} | BUTT CUT | BRONZE | 68.81 |
| MRT-115B | 109 | 115 | 6 | 109.00 | 115.00 | 6.00 ±0.13 | 3.00 ^{+0.00} / _{-0.07} | BUTT CUT | NYLON | 20.77 |
| MRT-120A | 109 | 119 | 8 | 108.50 | 118.50 | 8.00 ^{+0.00} / _{-0.13} | 5.00 ^{-0.01} / _{-0.07} | STEP CUT | PHENOLIC | 33.29 |
| MRT-115 | 110 | 115 | 6 | 109.80 | 115.00 | 6.00 ^{+0.00} / _{-0.13} | 2.60 ^{+0.00} / _{-0.08} | BUTT CUT | PHENOLIC | 20.95 |
| MRT-120B | 110 | 120 | 10 | 110.00 | 120.00 | 10.00 ^{+0.00} / _{-0.13} | 5.00 ^{-0.01} / _{-0.07} | STEP CUT | PHENOLIC | 33.29 |
| MRT-120BZ | 114.8 | 120 | 6 | 114.80 | 120.00 | 6.00 ^{+0.00} / _{-0.10} | 2.60 ^{+0.00} / _{-0.07} | BUTT CUT | BRONZE | 81.89 |
| MRT-120 | 115 | 120 | 6 | 115.00 | 120.00 | 6.00 ±0.13 | 2.60 ^{+0.00} / _{-0.05} | BUTT CUT | PHENOLIC | 27.14 |
| MRT-128A | 116 | 128 | 10 | 116.00 | 128.00 | 10.00 ^{+0.00} / _{-0.13} | 6.00 ^{-0.01} / _{-0.07} | STEP CUT | PHENOLIC | 30.51 |
| MRT-131 | 119.3 | 131.3 | 10 | 119.30 | 131.30 | 10.00 ^{-0.01} / _{-0.14} | 6.00 ^{-0.01} / _{-0.07} | STEP CUT | PHENOLIC | 11.00 |
| MRT-134A | 122 | 134 | 10 | 122.00 | 134.00 | 10.00 ^{+0.00} / _{-0.13} | 6.00 ^{-0.01} / _{-0.07} | STEP CUT | PHENOLIC | 30.84 |

CUSHION SEALS

STYLE MCK53 CUSHION SEALS

Molded in 92A urethane, the MCK53 is a pneumatic cushion seal with specially designed spacer lugs and flow passages to cushion at the end of the stroke in a pneumatic cylinder.

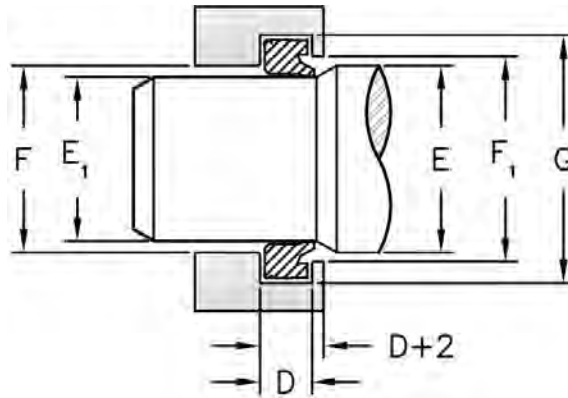


HERCULES PART NUMBERS

MCK53 - 012
 Style Prefix Inside Diameter

SEAL INFORMATION

| | |
|-------------------|---------------|
| MATERIAL | 92A URETHANE |
| TEMPERATURE RANGE | -22 - +176° F |
| PRESSURE RANGE | 0 TO 230 PSI |
| SPEED | 1.5 FT/SEC |



| Part Number | A Nom. ID | B Nom. OD | C Nom. Ht | C ₁ OVERALL HEIGHT | D GROOVE WIDTH | E ROD DIAMETER | F THROAT DIAMETER | F ₁ | G HOUSING DIAMETER | D ₂ OUTER THROAT DEPTH | E ₁ STUB DIAMETER | th THICKNESS | List Price |
|-------------|-----------------|-----------------|-----------------|-------------------------------------|----------------------|------------------------|-------------------------|----------------------|--------------------------|--|------------------------------------|-----------------|---------------|
| MCK53-012 | 12 | 18 | 4.1 | 5.00 | 4.80 ±0.10 | 12.00 +0.00 -0.07 | 13.00 +0.11 +0.00 | 15.50 +0.11 +0.00 | 18.00 +0.11 +0.00 | 6.80 ±0.20 | 8.00 -0.013 -0.035 | 4.10 | \$3.10 |
| MCK53-012/1 | 12 | 20 | 6.2 | 7.80 | 7.00 ±0.10 | 12.00 +0.00 -0.07 | 13.00 +0.11 +0.00 | 17.00 +0.11 +0.00 | 20.00 +0.13 +0.00 | 9.00 ±0.20 | 8.00 -0.013 -0.035 | 6.20 | 3.10 |
| MCK53-014 | 14 | 22 | 6.2 | 7.80 | 7.00 ±0.10 | 14.00 +0.00 -0.07 | 15.00 +0.11 +0.00 | 19.00 +0.13 +0.00 | 22.00 +0.13 +0.00 | 9.00 ±0.20 | 10.00 -0.013 -0.035 | 6.20 | 3.10 |
| MCK53-016/1 | 16 | 22 | 4.7 | 5.50 | 5.20 ±0.10 | 16.00 +0.00 -0.07 | 17.00 +0.11 +0.00 | 19.50 +0.13 +0.00 | 22.00 +0.13 +0.00 | 7.20 ±0.20 | 12.00 -0.016 -0.043 | 4.70 | 3.27 |
| MCK53-016 | 16 | 24 | 6.2 | 7.80 | 7.00 ±0.10 | 16.00 +0.00 -0.07 | 17.00 +0.11 +0.00 | 21.00 +0.13 +0.00 | 24.00 +0.13 +0.00 | 9.00 ±0.20 | 12.00 -0.016 -0.043 | 6.20 | 3.27 |
| MCK53-020 | 20 | 28 | 6.2 | 7.80 | 7.00 ±0.10 | 20.00 +0.000 -0.084 | 21.00 +0.13 +0.00 | 24.00 +0.13 +0.00 | 28.00 +0.13 +0.00 | 9.00 ±0.20 | 16.00 -0.016 -0.043 | 6.20 | 3.43 |
| MCK53-024 | 24 | 32 | 6.2 | 7.80 | 7.00 ±0.10 | 24.00 +0.000 -0.084 | 25.00 +0.13 +0.00 | 28.00 +0.13 +0.00 | 32.00 +0.16 +0.00 | 9.00 ±0.20 | 20.00 -0.020 -0.053 | 6.20 | 3.75 |
| MCK53-025 | 25 | 33 | 6.3 | 7.80 | 7.00 ±0.10 | 25.00 +0.000 -0.084 | 26.00 +0.13 +0.00 | 29.00 +0.13 +0.00 | 33.00 +0.16 +0.00 | 9.00 ±0.20 | 21.00 -0.020 -0.053 | 6.30 | 3.20 |
| MCK53-025-N | 25 | 33 | 6.3 | 7.80 | 7.00 ±0.10 | 25.00 +0.000 -0.084 | 26.00 +0.13 +0.00 | 29.00 +0.13 +0.00 | 33.00 +0.16 +0.00 | 9.00 ±0.20 | 21.00 -0.020 -0.053 | 6.30 | 2.67 |
| MCK53-025/1 | 25 | 35 | 6.2 | 7.80 | 7.00 ±0.10 | 25.00 +0.000 -0.084 | 26.00 +0.13 +0.00 | 30.00 +0.13 +0.00 | 35.00 +0.16 +0.00 | 9.00 ±0.20 | 21.00 -0.020 -0.053 | 6.20 | 3.93 |
| MCK53-030 | 30 | 40 | 6.2 | 7.80 | 7.00 ±0.10 | 30.00 +0.000 -0.084 | 31.50 +0.16 +0.00 | 35.00 +0.16 +0.00 | 40.00 +0.16 +0.00 | 9.00 ±0.20 | 26.00 -0.020 -0.053 | 6.20 | 3.85 |
| MCK53-036 | 36 | 46 | 6.2 | 7.80 | 7.00 ±0.10 | 36.00 +0.00 -0.10 | 37.50 +0.16 +0.00 | 41.00 +0.16 +0.00 | 46.00 +0.16 +0.00 | 9.00 ±0.20 | 32.00 -0.025 -0.064 | 6.20 | 5.06 |
| MCK53-040 | 40 | 50 | 6.2 | 7.80 | 7.00 ±0.10 | 40.00 +0.00 -0.10 | 41.50 +0.16 +0.00 | 45.00 +0.16 +0.00 | 50.00 +0.16 +0.00 | 9.00 ±0.20 | 32.00 -0.025 -0.064 | 6.20 | 5.25 |



STYLE MCK53 CUSHION SEALS

| Part Number | A Nom. ID | B Nom. OD | C Nom. Ht | C ₁ OVERALL HEIGHT | D GROOVE WIDTH | E ROD DIAMETER | F THROAT DIAMETER | F ₁ | G HOUSING DIAMETER | D ₂ OUTER THROAT DEPTH | E ₁ STUB DIAMETER | th THICKNESS | List Price |
|-------------|-----------------|-----------------|-----------------|-------------------------------------|----------------------|---|---|---|---|--|---|-----------------|---------------|
| MCK53-050/1 | 50 | 60 | 6.2 | 7.80 | 7.00 ±0.10 | 50.00 ^{+0.00} / _{-0.10} | 51.50 ^{+0.19} / _{+0.00} | 55.00 ^{+0.19} / _{+0.00} | 60.00 ^{+0.19} / _{+0.00} | 9.00 ±0.20 | 46.00 ^{-0.025} / _{-0.064} | 6.20 | 5.55 |
| MCK53-050 | 50 | 67 | 11 | 11.00 | 12.50 ±0.10 | 50.00 ^{+0.00} / _{-0.10} | 53.00 ^{+0.19} / _{+0.00} | 58.00 ^{+0.19} / _{+0.00} | 67.00 ^{+0.19} / _{+0.00} | 14.50 ±0.20 | 46.00 ^{-0.025} / _{-0.064} | 11.00 | 6.54 |
| MCK53-057 | 57 | 74 | 10 | 11.00 | 12.50 ±0.10 | 57.00 ^{+0.00} / _{-0.12} | 60.00 ^{+0.19} / _{+0.00} | 65.00 ^{+0.19} / _{+0.00} | 74.00 ^{+0.19} / _{+0.00} | 14.50 ±0.20 | 53.00 ^{-0.030} / _{-0.076} | 10.00 | 6.94 |
| MCK53-070 | 70 | 87 | 10 | 11.00 | 12.50 ±0.10 | 70.00 ^{+0.00} / _{-0.12} | 73.00 ^{+0.19} / _{+0.00} | 78.00 ^{+0.19} / _{+0.00} | 87.00 ^{+0.22} / _{+0.00} | 14.50 ±0.20 | 66.00 ^{-0.030} / _{-0.076} | 10.00 | 7.68 |

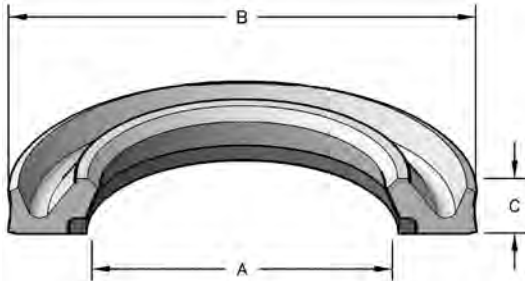
CUSHION SEALS



STYLE MYR BUFFER SEALS

Molded in urethane and employing a back-up, this seal absorbs the shock of pressure spikes to protect the rod seal. The unique design relieves back pressure between the buffer and the rod seal.

NOTE: ME = Merkel Equivalent.



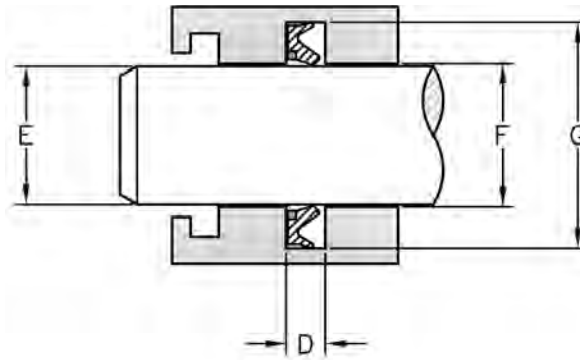
HERCULES PART NUMBERS

MYR - 40 X 50.7 X 3.9

Type of Seal Inside Diameter Housing Diameter Height

SEAL INFORMATION

| | |
|-------------------|----------------------------------|
| MATERIAL | URETHANE BUFFER NYLON BACK-UP |
| TEMPERATURE RANGE | -30° TO +220° F |
| PRESSURE RANGE | 0 TO 7,000 PSI |
| SPEED | 3 FT/SEC |



BUFFER SEALS

| Part Number | A Nom. ID | B Nom. OD | C Nom. Ht | D GROOVE WIDTH | E ROD DIAMETER | F THROAT DIAMETER | G HOUSING DIAMETER | List Price |
|--------------------|--------------|--------------|--------------|------------------------|---------------------------|---------------------------|---------------------------|---------------|
| MYR-40X50.7X3.9 | 40 | 50.7 | 3.9 | 4.20 +0.20 +0.00 | 40.00 -0.025 -0.064 | 40.00 +0.062 +0.000 | 50.70 +0.20 +0.00 | \$45.67 |
| MYR-40X55.1X5.9-ME | 40 | 55 | 5.9 | 6.30 +0.20 +0.00 | 40.00 -0.025 -0.064 | 40.00 +0.062 +0.000 | 55.00 +0.074 +0.000 | 25.30 |
| MYR-40X55.5X5.9 | 40 | 55.5 | 5.9 | 6.30 +0.20 +0.00 | 40.00 -0.025 -0.064 | 40.00 +0.062 +0.000 | 55.50 +0.20 +0.00 | 9.06 |
| MYR-45X55.7X3.9 | 45 | 55.7 | 3.9 | 4.20 +0.20 +0.00 | 45.00 -0.025 -0.064 | 45.00 +0.062 +0.000 | 55.70 +0.20 +0.00 | 49.87 |
| MYR-45X60.1X5.9-ME | 45 | 60.1 | 5.9 | 6.30 +0.20 +0.00 | 45.00 -0.025 -0.064 | 45.00 +0.062 +0.000 | 60.10 +0.074 +0.000 | 25.55 |
| MYR-45X60.5X5.9 | 45 | 60.5 | 5.9 | 6.30 +0.20 +0.00 | 45.00 -0.025 -0.064 | 45.00 +0.062 +0.000 | 60.50 +0.20 +0.00 | 9.57 |
| MYR-50X62.9X3.6 | 50 | 62.9 | 3.6 | 3.60 +0.20 +0.00 | 50.00 -0.025 -0.064 | 50.00 +0.062 +0.000 | 62.90 +0.20 +0.00 | 28.12 |
| MYR-50X65.1X5.9-ME | 50 | 65.1 | 5.9 | 6.30 +0.20 +0.00 | 50.00 -0.025 -0.064 | 50.00 +0.062 +0.000 | 65.10 +0.074 +0.000 | 26.85 |
| MYR-50X65.5X5.9 | 50 | 65.5 | 5.9 | 6.30 +0.20 +0.00 | 50.00 -0.025 -0.064 | 50.00 +0.062 +0.000 | 65.50 +0.20 +0.00 | 18.46 |
| MYR-55X70.1X5.9-ME | 55 | 70.1 | 5.9 | 6.30 +0.20 +0.00 | 55.00 -0.030 +0.924 | 55.00 +0.074 +0.000 | 70.10 +0.074 +0.000 | 28.96 |
| MYR-55X70.5X5.9 | 55 | 70.5 | 5.9 | 6.30 +0.20 +0.00 | 55.00 -0.030 -0.076 | 55.00 +0.074 +0.000 | 70.50 +0.20 +0.00 | 18.57 |
| MYR-56X71.1X5.9-ME | 56 | 71.1 | 5.9 | 6.30 +0.20 +0.00 | 56.00 -0.030 -0.076 | 56.00 +0.074 +0.000 | 71.10 +0.074 +0.000 | 26.58 |
| MYR-56X71.5X5.9 | 56 | 71.5 | 5.9 | 6.30 +0.20 +0.00 | 56.00 -0.030 -0.076 | 56.00 +0.074 +0.000 | 71.50 +0.20 +0.00 | 31.92 |
| MYR-60X75.1X5.9-ME | 60 | 75.1 | 5.9 | 6.30 +0.20 +0.00 | 60.00 -0.030 -0.076 | 60.00 +0.074 +0.000 | 75.10 +0.074 +0.000 | 29.25 |
| MYR-60X75.5X5.9 | 60 | 75.5 | 5.9 | 6.30 +0.20 +0.00 | 60.00 -0.030 -0.076 | 60.00 +0.074 +0.000 | 75.50 +0.20 +0.00 | 26.37 |

NORTH AMERICA
PHONE 1-800-777-5617
FAX 1-800-759-6391

SALES OFFICE HOURS
8 A.M. TO 7:30 P.M. EASTERN TIME
www.HerculesUS.com

WORLDWIDE
PHONE 1-727-796-1300
FAX 1-727-797-8849



STYLE MYR BUFFER SEALS

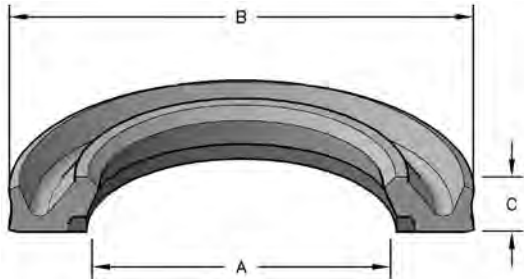
| Part Number | A Nom. ID | B Nom. OD | C Nom. Ht | D GROOVE WIDTH | E ROD DIAMETER | F THROAT DIAMETER | G HOUSING DIAMETER | List Price |
|--------------------|--------------|--------------|--------------|--|--|--|---|---------------|
| MYR-63X78.1X5.9-ME | 63 | 78.1 | 5.9 | 6.30 ^{+0.20} / _{+0.00} | 63.00 ^{-0.030} / _{-0.076} | 63.00 ^{+0.074} / _{+0.000} | 78.10 ^{+0.074} / _{+0.000} | 29.25 |
| MYR-63X78.5X5.9 | 63 | 78.5 | 5.9 | 6.30 ^{+0.20} / _{+0.00} | 63.00 ^{-0.030} / _{-0.076} | 63.00 ^{+0.074} / _{+0.000} | 78.50 ^{+0.20} / _{+0.00} | 20.65 |
| MYR-65X80.5X5.9 | 65 | 80.5 | 5.9 | 6.30 ^{+0.20} / _{+0.00} | 65.00 ^{-0.030} / _{-0.076} | 65.00 ^{+0.074} / _{+0.000} | 80.50 ^{+0.20} / _{+0.00} | 31.36 |
| MYR-70X85.1X5.9-ME | 70 | 85.1 | 5.9 | 6.30 ^{+0.20} / _{+0.00} | 70.00 ^{-0.030} / _{-0.076} | 70.00 ^{+0.074} / _{+0.000} | 85.10 ^{+0.087} / _{+0.000} | 37.30 |
| MYR-70X85.5X5.9 | 70 | 85.5 | 5.9 | 6.30 ^{+0.20} / _{+0.00} | 70.00 ^{-0.030} / _{-0.076} | 70.00 ^{+0.074} / _{+0.000} | 85.50 ^{+0.20} / _{+0.00} | 34.23 |
| MYR-75X90.5X5.9 | 75 | 90.5 | 5.9 | 6.30 ^{+0.20} / _{+0.00} | 75.00 ^{-0.030} / _{-0.076} | 75.00 ^{+0.074} / _{+0.000} | 90.50 ^{+0.20} / _{+0.00} | 36.39 |
| MYR-75X91.3X5.6 | 75 | 91.28 | 5.6 | 5.60 ^{+0.20} / _{+0.00} | 75.00 ^{-0.030} / _{-0.076} | 75.00 ^{+0.074} / _{+0.000} | 91.28 ^{+0.20} / _{+0.00} | 91.94 |
| MYR-80X95.1X5.9-ME | 80 | 95.1 | 5.9 | 6.30 ^{+0.20} / _{+0.00} | 80.00 ^{-0.030} / _{-0.076} | 80.00 ^{+0.074} / _{+0.000} | 95.10 ^{+0.087} / _{+0.000} | 44.12 |
| MYR-80X95.5X5.9 | 80 | 95.5 | 5.9 | 6.30 ^{+0.20} / _{+0.00} | 80.00 ^{-0.030} / _{-0.076} | 80.00 ^{+0.074} / _{+0.000} | 95.50 ^{+0.20} / _{+0.00} | 38.54 |
| MYR-80X96.3X5.6 | 80 | 96.28 | 5.6 | 5.60 ^{+0.20} / _{+0.00} | 80.00 ^{-0.030} / _{-0.076} | 80.00 ^{+0.074} / _{+0.000} | 96.28 ^{+0.20} / _{+0.00} | 94.25 |
| MYR-85X100.5X5.9 | 85 | 100.5 | 5.9 | 6.30 ^{+0.20} / _{+0.00} | 85.00 ^{-0.036} / _{-0.090} | 85.00 ^{+0.087} / _{+0.000} | 100.50 ^{+0.20} / _{+0.00} | 41.35 |
| MYR-90X105.5X5.9 | 90 | 105.5 | 5.9 | 6.30 ^{+0.20} / _{+0.00} | 90.00 ^{-0.036} / _{-0.090} | 90.00 ^{+0.087} / _{+0.000} | 105.50 ^{+0.20} / _{+0.00} | 49.91 |
| MYR-95X110.5X5.9 | 95 | 110.5 | 5.9 | 6.30 ^{+0.20} / _{+0.00} | 95.00 ^{-0.036} / _{-0.090} | 95.00 ^{+0.087} / _{+0.000} | 110.50 ^{+0.20} / _{+0.00} | 52.69 |
| MYR-100X115.5X5.9 | 100 | 115.5 | 5.9 | 6.30 ^{+0.20} / _{+0.00} | 100.00 ^{-0.036} / _{-0.090} | 100.00 ^{+0.087} / _{+0.000} | 115.50 ^{+0.20} / _{+0.00} | 54.21 |
| MYR-105X120.5X5.9 | 105 | 120.5 | 5.9 | 6.30 ^{+0.20} / _{+0.00} | 105.00 ^{-0.036} / _{-0.090} | 105.00 ^{+0.087} / _{+0.000} | 120.50 ^{+0.20} / _{+0.00} | 56.18 |
| MYR-110X125.5X5.9 | 110 | 125.5 | 5.9 | 6.30 ^{+0.20} / _{+0.00} | 110.00 ^{-0.036} / _{-0.090} | 110.00 ^{+0.087} / _{+0.000} | 125.50 ^{+0.20} / _{+0.00} | 58.49 |
| MYR-115X130.5X5.9 | 115 | 130.5 | 5.9 | 6.30 ^{+0.20} / _{+0.00} | 115.00 ^{-0.036} / _{-0.090} | 115.00 ^{+0.087} / _{+0.000} | 130.50 ^{+0.20} / _{+0.00} | 32.26 |
| MYR-120X135.5X5.9 | 120 | 135.5 | 5.9 | 6.30 ^{+0.20} / _{+0.00} | 120.00 ^{-0.036} / _{-0.090} | 120.00 ^{+0.087} / _{+0.000} | 135.50 ^{+0.20} / _{+0.00} | 63.50 |
| MYR-125X140.5X5.9 | 125 | 140.5 | 5.9 | 6.30 ^{+0.20} / _{+0.00} | 125.00 ^{-0.043} / _{-0.106} | 125.00 ^{+0.10} / _{+0.00} | 140.50 ^{+0.20} / _{+0.00} | 31.89 |
| MYR-130X145.5X5.9 | 130 | 145.5 | 5.9 | 6.30 ^{+0.20} / _{+0.00} | 130.00 ^{-0.043} / _{-0.106} | 130.00 ^{+0.10} / _{+0.00} | 145.50 ^{+0.20} / _{+0.00} | 98.56 |
| MYR-140X155.5X5.9 | 140 | 155.5 | 5.9 | 6.30 ^{+0.20} / _{+0.00} | 140.00 ^{-0.043} / _{-0.106} | 140.00 ^{+0.10} / _{+0.00} | 155.50 ^{+0.20} / _{+0.00} | 160.49 |
| MYR-150X165.5X5.9 | 150 | 165.5 | 5.9 | 6.30 ^{+0.20} / _{+0.00} | 150.00 ^{-0.043} / _{-0.106} | 150.00 ^{+0.10} / _{+0.00} | 165.50 ^{+0.20} / _{+0.00} | 105.20 |
| MYR-155X170.5X5.9 | 155 | 170.5 | 5.9 | 6.30 ^{+0.20} / _{+0.00} | 155.00 ^{-0.043} / _{-0.106} | 155.00 ^{+0.10} / _{+0.00} | 170.50 ^{+0.20} / _{+0.00} | 107.73 |
| MYR-160X175.5X5.9 | 160 | 175.5 | 5.9 | 6.30 ^{+0.20} / _{+0.00} | 160.00 ^{-0.043} / _{-0.106} | 160.00 ^{+0.10} / _{+0.00} | 175.50 ^{+0.20} / _{+0.00} | 161.30 |
| MYR-165X180.5X5.9 | 165 | 180.5 | 5.9 | 6.30 ^{+0.20} / _{+0.00} | 165.00 ^{-0.043} / _{-0.106} | 165.00 ^{+0.10} / _{+0.00} | 180.50 ^{+0.20} / _{+0.00} | 171.70 |
| MYR-170X185.5X5.9 | 170 | 185.5 | 5.9 | 6.30 ^{+0.20} / _{+0.00} | 170.00 ^{-0.043} / _{-0.106} | 170.00 ^{+0.10} / _{+0.00} | 185.50 ^{+0.20} / _{+0.00} | 227.44 |
| MYR-180X195.5X5.9 | 180 | 195.5 | 5.9 | 6.30 ^{+0.20} / _{+0.00} | 180.00 ^{-0.043} / _{-0.106} | 180.00 ^{+0.10} / _{+0.00} | 195.50 ^{+0.20} / _{+0.00} | 317.41 |
| MYR-190X205.5X5.9 | 190 | 205.5 | 5.9 | 6.30 ^{+0.20} / _{+0.00} | 190.00 ^{-0.050} / _{-0.122} | 190.00 ^{+0.115} / _{+0.000} | 205.50 ^{+0.20} / _{+0.00} | 178.97 |

BUFFER SEALS

NEW FOR 2015

STYLE MYR-HT BUFFER SEALS

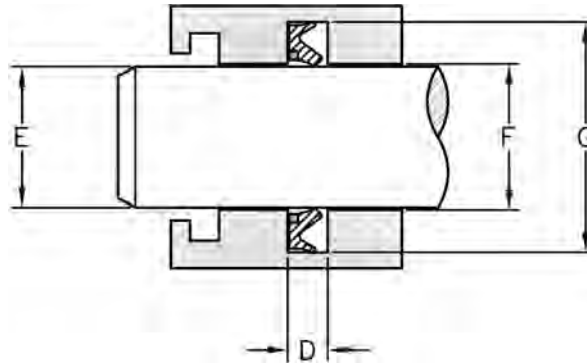
Molded with a premium urethane and employing a back-up, this seal absorbs the shock of pressure spikes to protect the rod seal. The unique design also relieves back pressure between the buffer and the rod seal. The premium urethane demonstrates good heat resistance with almost no permanent deformation at high temperatures. In addition, the elastomeric properties can be quickly restored even in low temperatures to ensure stable sealing in cold applications.



HERCULES PART NUMBERS
MYR - 70 x 85.5 x 5.9 - BHT
 Type of Seal Rod Diameter Groove Diameter Height

SEAL INFORMATION

| | |
|-------------------|-----------------------------------|
| MATERIAL | URETHANE BUFFER, NYLON BACK-UP |
| TEMPERATURE RANGE | -67°F TO 248°F |
| PRESSURE RANGE | 0 TO 7250 PSI |
| SPEED | 3 FT/SEC |



BUFFER SEALS

| Part Number | A Nom. ID | B Nom. OD | C Nom. Ht | D GROOVE WIDTH | E ROD DIAMETER | F THROAT DIAMETER | G HOUSING DIAMETER | List Price |
|--------------------|--------------|--------------|--------------|--|--|--|--|---------------|
| MYR-70X85.5X5.9-HT | 70 | 85.5 | 5.9 | 6.30 ^{+0.20} / _{+0.00} | 70.00 ^{-0.030} / _{-0.076} | 70.00 ^{+0.074} / _{+0.000} | 85.50 ^{+0.20} / _{+0.00} | \$62.56 |
| MYR-75X90.5X5.9-HT | 75 | 90.5 | 5.9 | 6.30 ^{+0.20} / _{+0.00} | 75.00 ^{-0.030} / _{-0.076} | 75.00 ^{+0.074} / _{+0.000} | 90.50 ^{+0.20} / _{+0.00} | 67.21 |
| MYR-80X95.5X5.9-HT | 80 | 95.5 | 5.9 | 6.30 ^{+0.20} / _{+0.00} | 80.00 ^{-0.030} / _{-0.076} | 80.00 ^{+0.074} / _{+0.000} | 95.50 ^{+0.20} / _{+0.00} | 70.61 |
| MYR-90X105.5X6-HT | 90 | 105.5 | 6 | 6.30 ^{+0.20} / _{+0.00} | 90.00 ^{-0.036} / _{-0.090} | 90.00 ^{+0.087} / _{+0.000} | 105.50 ^{+0.20} / _{+0.00} | 112.41 |
| MYR-95X110.5X6-HT | 95 | 110.5 | 6 | 6.30 ^{+0.20} / _{+0.00} | 95.00 ^{-0.036} / _{-0.090} | 95.00 ^{+0.087} / _{+0.000} | 110.50 ^{+0.20} / _{+0.00} | 116.89 |
| MYR-100X115.5X6-HT | 100 | 115.5 | 6 | 6.30 ^{+0.20} / _{+0.00} | 100.00 ^{-0.036} / _{-0.090} | 100.00 ^{+0.087} / _{+0.000} | 115.50 ^{+0.20} / _{+0.00} | 120.98 |
| MYR-110X125.5X6-HT | 110 | 125.5 | 6 | 6.30 ^{+0.20} / _{+0.00} | 110.00 ^{-0.036} / _{-0.090} | 110.00 ^{+0.087} / _{+0.000} | 125.50 ^{+0.20} / _{+0.00} | 86.98 |
| MYR-115X130.5X6-HT | 115 | 130.5 | 6 | 6.30 ^{+0.20} / _{+0.00} | 115.00 ^{-0.036} / _{-0.090} | 115.00 ^{+0.087} / _{+0.000} | 130.50 ^{+0.20} / _{+0.00} | 112.12 |
| MYR-120X135.5X6-HT | 120 | 135.5 | 6 | 6.30 ^{+0.20} / _{+0.00} | 120.00 ^{-0.036} / _{-0.090} | 120.00 ^{+0.087} / _{+0.000} | 135.50 ^{+0.20} / _{+0.00} | 120.56 |
| MYR-125X140.5X6-HT | 125 | 140.5 | 6 | 6.30 ^{+0.20} / _{+0.00} | 125.00 ^{-0.043} / _{-0.106} | 125.00 ^{+0.10} / _{+0.00} | 140.50 ^{+0.20} / _{+0.00} | 102.89 |
| MYR-130X145.5X6-HT | 130 | 145.5 | 6 | 6.30 ^{+0.20} / _{+0.00} | 130.00 ^{-0.043} / _{-0.106} | 130.00 ^{+0.10} / _{+0.00} | 145.50 ^{+0.20} / _{+0.00} | 107.11 |
| MYR-140X155.5X6-HT | 140 | 155.5 | 6 | 6.30 ^{+0.20} / _{+0.00} | 140.00 ^{-0.043} / _{-0.106} | 140.00 ^{+0.10} / _{+0.00} | 155.50 ^{+0.20} / _{+0.00} | 127.38 |
| MYR-140X160X8-HT | 140 | 160 | 8 | 8.30 ^{+0.20} / _{+0.00} | 140.00 ^{-0.043} / _{-0.106} | 140.00 ^{+0.10} / _{+0.00} | 160.00 ^{+0.20} / _{+0.00} | 289.71 |
| MYR-145X160.5X6-HT | 145 | 160.5 | 6 | 6.30 ^{+0.20} / _{+0.00} | 145.00 ^{-0.043} / _{-0.106} | 145.00 ^{+0.10} / _{+0.00} | 160.50 ^{+0.20} / _{+0.00} | 62.44 |

NORTH AMERICA
 PHONE 1-800-777-5617
 FAX 1-800-759-6391

SALES OFFICE HOURS
 8 A.M. TO 7:30 P.M. EASTERN TIME
www.HerculesUS.com

WORLDWIDE
 PHONE 1-727-796-1300
 FAX 1-727-797-8849

**STYLE MYR-HT BUFFER SEALS**

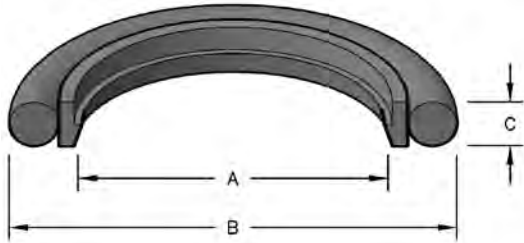
| Part Number | A Nom. ID | B Nom. OD | C Nom. Ht | D GROOVE WIDTH | E ROD DIAMETER | F THROAT DIAMETER | G HOUSING DIAMETER | List Price |
|---------------------|--------------|--------------|--------------|--|--|--|--|---------------|
| MYR-150X165.5X6-HT | 150 | 165.5 | 6 | 6.30 ^{+0.20} / _{+0.00} | 150.00 ^{-0.043} / _{-0.106} | 150.00 ^{+0.10} / _{+0.00} | 165.50 ^{+0.20} / _{+0.00} | 137.22 |
| MYR-160X175.5X6-HT | 160 | 175.5 | 6 | 6.30 ^{+0.20} / _{+0.00} | 160.00 ^{-0.043} / _{-0.106} | 160.00 ^{+0.10} / _{+0.00} | 175.50 ^{+0.20} / _{+0.00} | 146.56 |
| MYR-160X175.5X6B-HT | 160 | 175.5 | 6 | 6.30 ^{+0.20} / _{+0.00} | 160.00 ^{-0.043} / _{-0.106} | 160.00 ^{+0.10} / _{+0.00} | 175.50 ^{+0.20} / _{+0.00} | 150.73 |
| MYR-160X180X8-HT | 160 | 180 | 8 | 8.30 ^{+0.20} / _{+0.00} | 160.00 ^{-0.043} / _{-0.106} | 160.00 ^{+0.10} / _{+0.00} | 180.00 ^{+0.20} / _{+0.00} | 303.50 |
| MYR-200X220X8-HT | 200 | 220 | 8 | 8.30 ^{+0.20} / _{+0.00} | 200.00 ^{-0.050} / _{-0.122} | 200.00 ^{+0.115} / _{+0.000} | 220.00 ^{+0.20} / _{+0.00} | 331.11 |

BUFFER SEALS



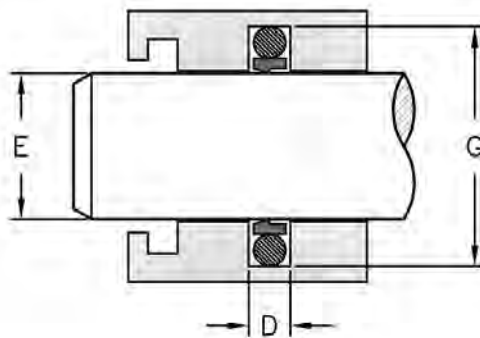
STYLE MKR BUFFER SEALS

Molded in PTFE with a rubber energizer, this seal absorbs the shock of pressure spikes to protect the rod seal.



HERCULES PART NUMBERS

MKR - 08 X 13 X 2
 Type of Seal Inside Diameter Outside Diameter Height



SEAL INFORMATION

| | |
|-------------------|--|
| MATERIAL | FILLED PTFE BUFFER 70A NITRILE ENERGIZER |
| TEMPERATURE RANGE | -40° TO +220° F |
| PRESSURE RANGE | 0 TO 5,000 PSI |
| SPEED | 12 FT/SEC |

BUFFER SEALS

| Part Number | A Nom. ID | B Nom. OD | C Nom. Ht | D GROOVE WIDTH | E ROD DIAMETER | G HOUSING DIAMETER | List Price |
|---------------|--------------|--------------|--------------|------------------------|---------------------------|--------------------------|---------------|
| MKR-08X13X2 | 8 | 13 | 2 | 2.20 +0.20 +0.00 | 8.00 -0.013 -0.035 | 13.00 +0.20 +0.00 | \$11.94 |
| MKR-08X15.5X3 | 8 | 15.5 | 3 | 3.20 +0.20 +0.00 | 8.00 -0.013 -0.035 | 15.50 +0.20 +0.00 | 11.81 |
| MKR-12X17X2 | 12 | 17 | 2 | 2.20 +0.20 +0.00 | 12.00 -0.016 -0.043 | 17.00 +0.20 +0.00 | 5.23 |
| MKR-12X19.5X3 | 12 | 19.5 | 3 | 3.20 +0.20 +0.00 | 12.00 -0.016 -0.043 | 19.50 +0.20 +0.00 | 10.83 |
| MKR-14X21.5X3 | 14 | 21.5 | 3 | 3.20 +0.20 +0.00 | 14.00 -0.016 -0.043 | 21.50 +0.20 +0.00 | 7.83 |
| MKR-15X22.5X3 | 15 | 22.5 | 3 | 3.20 +0.20 +0.00 | 15.00 -0.016 -0.043 | 22.50 +0.20 +0.00 | 10.83 |
| MKR-16X23.5X3 | 16 | 23.5 | 3 | 3.20 +0.20 +0.00 | 16.00 -0.016 -0.043 | 23.50 +0.20 +0.00 | 5.23 |
| MKR-18X23X2 | 18 | 23 | 2 | 2.20 +0.20 +0.00 | 18.00 -0.016 -0.043 | 23.00 +0.20 +0.00 | 10.15 |
| MKR-18X25.5X3 | 18 | 25.5 | 3 | 3.20 +0.20 +0.00 | 18.00 -0.016 -0.043 | 25.50 +0.20 +0.00 | 5.48 |
| MKR-20X27.5X3 | 20 | 27.5 | 3 | 3.20 +0.20 +0.00 | 20.00 -0.020 -0.053 | 27.50 +0.20 +0.00 | 7.70 |
| MKR-20X31X4 | 20 | 31 | 4 | 4.20 +0.20 +0.00 | 20.00 -0.020 -0.053 | 31.00 +0.20 +0.00 | 7.70 |
| MKR-22X29.5X3 | 22 | 29.5 | 3 | 3.20 +0.20 +0.00 | 22.00 -0.020 -0.053 | 29.50 +0.20 +0.00 | 7.83 |
| MKR-22X33X4 | 22 | 33 | 4 | 4.20 +0.20 +0.00 | 22.00 -0.020 -0.053 | 33.00 +0.20 +0.00 | 7.83 |
| MKR-25X32.5X3 | 25 | 32.5 | 3 | 3.20 +0.20 +0.00 | 25.00 -0.020 -0.053 | 32.50 +0.20 +0.00 | 7.98 |
| MKR-25X35.7X4 | 25 | 35.7 | 4 | 4.20 +0.20 +0.00 | 25.00 -0.020 -0.053 | 35.70 +0.20 +0.00 | 20.28 |
| MKR-28X35.5X3 | 28 | 35.5 | 3 | 3.20 +0.20 +0.00 | 28.00 -0.020 -0.053 | 35.50 +0.20 +0.00 | 7.98 |
| MKR-28X39X4 | 28 | 39 | 4 | 4.20 +0.20 +0.00 | 28.00 -0.020 -0.053 | 39.00 +0.20 +0.00 | 7.98 |

NORTH AMERICA
 PHONE 1-800-777-5617
 FAX 1-800-759-6391

SALES OFFICE HOURS
 8 A.M. TO 7:30 P.M. EASTERN TIME
www.HerculesUS.com

WORLDWIDE
 PHONE 1-727-796-1300
 FAX 1-727-797-8849



STYLE MKR BUFFER SEALS

| Part Number | A Nom. ID | B Nom. OD | C Nom. Ht | D GROOVE WIDTH | E ROD DIAMETER | G HOUSING DIAMETER | List Price |
|-------------------|--------------|--------------|--------------|--|---|---|---------------|
| MKR-30X37.5X3 | 30 | 37.5 | 3 | 3.20 ^{+0.20} / _{+0.00} | 30.00 ^{-0.020} / _{-0.053} | 37.50 ^{+0.20} / _{+0.00} | 9.31 |
| MKR-30X40.7X3.9 | 30 | 40.7 | 3.9 | 4.20 ^{+0.20} / _{+0.00} | 30.00 ^{-0.020} / _{-0.053} | 40.70 ^{+0.20} / _{+0.00} | 25.59 |
| MKR-30X40.7X4U | 30 | 40.7 | 4 | 4.20 ^{+0.20} / _{+0.00} | 30.00 ^{-0.020} / _{-0.053} | 40.70 ^{+0.20} / _{+0.00} | 13.65 |
| MKR-32X39.5X3 | 32 | 39.5 | 3 | 3.20 ^{+0.20} / _{+0.00} | 32.00 ^{-0.025} / _{-0.064} | 39.50 ^{+0.20} / _{+0.00} | 17.03 |
| MKR-32X43X4 | 32 | 43 | 4 | 4.20 ^{+0.20} / _{+0.00} | 32.00 ^{-0.025} / _{-0.064} | 43.00 ^{+0.20} / _{+0.00} | 8.51 |
| MKR-35X42.5X3 | 35 | 42.5 | 3 | 3.20 ^{+0.20} / _{+0.00} | 35.00 ^{-0.025} / _{-0.064} | 42.50 ^{+0.20} / _{+0.00} | 21.83 |
| MKR-35X46X4 | 35 | 46 | 4 | 4.20 ^{+0.20} / _{+0.00} | 35.00 ^{-0.025} / _{-0.064} | 46.00 ^{+0.20} / _{+0.00} | 9.20 |
| MKR-36X43.5X3 | 36 | 43.5 | 3 | 3.20 ^{+0.20} / _{+0.00} | 36.00 ^{-0.025} / _{-0.064} | 43.50 ^{+0.20} / _{+0.00} | 9.31 |
| MKR-36X47X4 | 36 | 47 | 4 | 4.20 ^{+0.20} / _{+0.00} | 36.00 ^{-0.025} / _{-0.064} | 47.00 ^{+0.20} / _{+0.00} | 9.20 |
| MKR-40X51X4 | 40 | 51 | 4 | 4.20 ^{+0.20} / _{+0.00} | 40.00 ^{-0.025} / _{-0.064} | 51.00 ^{+0.20} / _{+0.00} | 14.99 |
| MKR-40X52.6X4 | 40 | 52.6 | 4 | 4.20 ^{+0.20} / _{+0.00} | 40.00 ^{-0.025} / _{-0.064} | 52.60 ^{+0.20} / _{+0.00} | 25.93 |
| MKR-40X55.5X5.9 | 40 | 55.5 | 5.9 | 6.30 ^{+0.20} / _{+0.00} | 40.00 ^{-0.025} / _{-0.064} | 55.50 ^{+0.20} / _{+0.00} | 25.83 |
| MKR-45X56X4 | 45 | 56 | 4 | 4.20 ^{+0.20} / _{+0.00} | 45.00 ^{-0.025} / _{-0.064} | 56.00 ^{+0.20} / _{+0.00} | 18.26 |
| MKR-45X57.6X4 | 45 | 57.6 | 4 | 4.20 ^{+0.20} / _{+0.00} | 45.00 ^{-0.025} / _{-0.064} | 57.60 ^{+0.20} / _{+0.00} | 24.90 |
| MKR-45X59X4 | 45 | 59 | 4 | 4.20 ^{+0.20} / _{+0.00} | 45.00 ^{-0.025} / _{-0.064} | 59.00 ^{+0.20} / _{+0.00} | 22.41 |
| MKR-45X60.5X5.9 | 45 | 60.5 | 5.9 | 6.30 ^{+0.20} / _{+0.00} | 45.00 ^{-0.025} / _{-0.064} | 60.50 ^{+0.20} / _{+0.00} | 18.26 |
| MKR-50X60X4.5 | 50 | 60 | 4.5 | 4.80 ^{+0.20} / _{+0.00} | 50.00 ^{-0.025} / _{-0.064} | 60.00 ^{+0.20} / _{+0.00} | 23.87 |
| MKR-50X60.8X4.2 | 50 | 60.8 | 3.9 | 4.20 ^{+0.20} / _{+0.00} | 50.00 ^{-0.025} / _{-0.064} | 60.80 ^{+0.20} / _{+0.00} | 11.83 |
| MKR-50X61X4 | 50 | 61 | 4 | 4.20 ^{+0.20} / _{+0.00} | 50.00 ^{-0.025} / _{-0.064} | 61.00 ^{+0.20} / _{+0.00} | 18.26 |
| MKR-50X62.6X4 | 50 | 62.6 | 4 | 4.20 ^{+0.20} / _{+0.00} | 50.00 ^{-0.025} / _{-0.064} | 62.60 ^{+0.20} / _{+0.00} | 30.38 |
| MKR-50X65.5X5.9 | 50 | 65.5 | 5.9 | 6.30 ^{+0.20} / _{+0.00} | 50.00 ^{-0.025} / _{-0.064} | 65.50 ^{+0.20} / _{+0.00} | 18.26 |
| MKR-55X70.5X5.9 | 55 | 70.5 | 5.9 | 6.30 ^{+0.20} / _{+0.00} | 55.00 ^{-0.030} / _{-0.076} | 70.50 ^{+0.20} / _{+0.00} | 30.45 |
| MKR-56X68.6X4 | 56 | 68.6 | 4 | 4.20 ^{+0.20} / _{+0.00} | 56.00 ^{-0.030} / _{-0.076} | 68.60 ^{+0.20} / _{+0.00} | 30.45 |
| MKR-56X71.5X5.9 | 56 | 71.5 | 5.9 | 6.30 ^{+0.20} / _{+0.00} | 56.00 ^{-0.030} / _{-0.076} | 71.50 ^{+0.20} / _{+0.00} | 21.97 |
| MKR-60X71X4 | 60 | 71 | 4 | 4.20 ^{+0.20} / _{+0.00} | 60.00 ^{-0.030} / _{-0.076} | 71.00 ^{+0.20} / _{+0.00} | 23.20 |
| MKR-60X75.5X5.9 | 60 | 75.5 | 5.9 | 6.30 ^{+0.20} / _{+0.00} | 60.00 ^{-0.030} / _{-0.076} | 75.50 ^{+0.20} / _{+0.00} | 30.45 |
| MKR-63X75.6X3.9 | 63 | 75.6 | 3.9 | 4.20 ^{+0.20} / _{+0.00} | 63.00 ^{-0.030} / _{-0.076} | 75.60 ^{+0.20} / _{+0.00} | 22.12 |
| MKR-63X78.5X5.9 | 63 | 78.5 | 5.9 | 6.30 ^{+0.20} / _{+0.00} | 63.00 ^{-0.030} / _{-0.076} | 78.50 ^{+0.20} / _{+0.00} | 25.14 |
| MKR-65X80.5X5.9 | 65 | 80.5 | 5.9 | 6.30 ^{+0.20} / _{+0.00} | 65.00 ^{-0.030} / _{-0.076} | 80.50 ^{+0.20} / _{+0.00} | 29.37 |
| MKR-70X81X4 | 70 | 81 | 4 | 4.20 ^{+0.20} / _{+0.00} | 70.00 ^{-0.030} / _{-0.076} | 81.00 ^{+0.20} / _{+0.00} | 26.92 |
| MKR-70X85.5X5.9 | 70 | 85.5 | 5.9 | 6.30 ^{+0.20} / _{+0.00} | 70.00 ^{-0.030} / _{-0.076} | 85.50 ^{+0.20} / _{+0.00} | 34.11 |
| MKR-70X86.28X5.23 | 70 | 86.28 | 5.23 | 5.59 ^{+0.20} / _{+0.00} | 70.00 ^{-0.030} / _{-0.076} | 86.28 ^{+0.20} / _{+0.00} | 45.07 |
| MKR-75X90.5X5.9 | 75 | 90.5 | 5.9 | 6.30 ^{+0.20} / _{+0.00} | 75.00 ^{-0.030} / _{-0.076} | 90.50 ^{+0.20} / _{+0.00} | 36.40 |

BUFFER SEALS



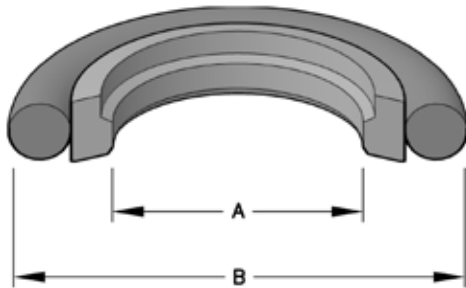
STYLE MKR BUFFER SEALS

| Part Number | A Nom. ID | B Nom. OD | C Nom. Ht | D GROOVE WIDTH | E ROD DIAMETER | G HOUSING DIAMETER | List Price |
|-------------------|--------------|--------------|--------------|------------------------|----------------------------|--------------------------|---------------|
| MKR-80X95.5X5.9 | 80 | 95.5 | 5.9 | 6.30 +0.20 +0.00 | 80.00 -0.030 -0.076 | 95.50 +0.20 +0.00 | 39.22 |
| MKR-85X100.5X5.9 | 85 | 100.5 | 5.9 | 6.30 +0.20 +0.00 | 85.00 -0.036 -0.090 | 100.50 +0.20 +0.00 | 38.73 |
| MKR-90X105.5X5.9 | 90 | 105.5 | 5.9 | 6.30 +0.20 +0.00 | 90.00 -0.036 -0.090 | 105.50 +0.20 +0.00 | 42.59 |
| MKR-95X110.5X5.9 | 95 | 110.5 | 5.9 | 6.30 +0.20 +0.00 | 95.00 -0.036 -0.090 | 110.50 +0.20 +0.00 | 43.96 |
| MKR-100X115.5X5.9 | 100 | 115.5 | 5.9 | 6.30 +0.20 +0.00 | 100.00 -0.036 -0.090 | 115.50 +0.20 +0.00 | 44.66 |
| MKR-105X120.5X5.9 | 105 | 120.5 | 5.9 | 6.30 +0.20 +0.00 | 105.00 -0.036 -0.090 | 120.50 +0.20 +0.00 | 50.81 |
| MKR-110X125.5X5.9 | 110 | 125.5 | 5.9 | 6.30 +0.20 +0.00 | 110.00 -0.036 -0.090 | 125.50 +0.20 +0.00 | 53.04 |
| MKR-115X130.5X5.9 | 115 | 130.5 | 5.9 | 6.30 +0.20 +0.00 | 115.00 -0.036 -0.090 | 130.50 +0.20 +0.00 | 52.88 |
| MKR-120X135.5X5.9 | 120 | 135.5 | 5.9 | 6.30 +0.20 +0.00 | 120.00 -0.036 -0.090 | 135.50 +0.20 +0.00 | 53.13 |
| MKR-125X140.5X5.9 | 125 | 140.5 | 5.9 | 6.30 +0.20 +0.00 | 125.00 -0.043 -0.106 | 140.50 +0.20 +0.00 | 53.72 |
| MKR-130X145.5X5.9 | 130 | 145.5 | 5.9 | 6.30 +0.20 +0.00 | 130.00 -0.043 -0.106 | 145.50 +0.20 +0.00 | 54.13 |
| MKR-140X155.5X5.9 | 140 | 155.5 | 5.9 | 6.30 +0.20 +0.00 | 140.00 -0.043 -0.106 | 155.50 +0.20 +0.00 | 51.68 |
| MKR-150X165.5X5.9 | 150 | 165.5 | 5.9 | 6.30 +0.20 +0.00 | 150.00 -0.043 -0.106 | 165.50 +0.20 +0.00 | 57.72 |
| MKR-160X175.5X5.9 | 160 | 175.5 | 5.9 | 6.30 +0.20 +0.00 | 160.00 -0.043 -0.106 | 175.50 +0.20 +0.00 | 59.40 |
| MKR-160X180.5X8.1 | 160 | 180.5 | 7.9 | 8.10 +0.20 +0.00 | 160.00 -0.043 -0.106 | 180.50 +0.20 +0.00 | 64.77 |
| MKR-170X185.5X5.9 | 170 | 185.5 | 5.9 | 6.30 +0.20 +0.00 | 170.00 -0.043 -0.106 | 185.50 +0.20 +0.00 | 73.03 |
| MKR-170X190.5X8.1 | 170 | 190.5 | 7.9 | 8.10 +0.20 +0.00 | 170.00 -0.043 -0.106 | 190.50 +0.20 +0.00 | 80.21 |

BUFFER SEALS

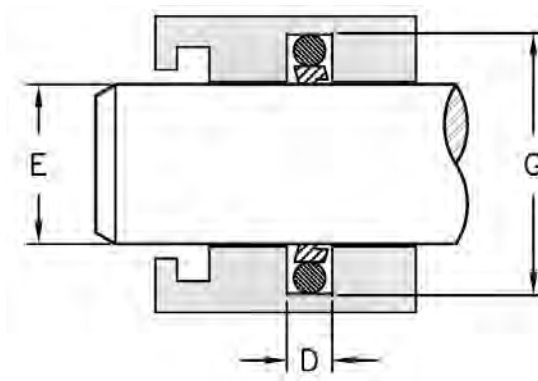
STYLE MKR-U BUFFER SEALS

Style MKR-U seals are molded from Zurcon® Z52 urethane. This seal is designed to allow for back-pumping capabilities while improving wear resistance and decreasing friction. This seal can be used as a secondary seal or in tandem with a PTFE buffer seal.



HERCULES PART NUMBERS

MKR - 40 X 55.1 X 6U
 Type of Seal Inside Diameter Outside Diameter Height



| SEAL INFORMATION | |
|-------------------|---|
| MATERIAL | 58D URETHANE BUFFER 70A NBR ENERGIZER |
| TEMPERATURE RANGE | -49° TO +212° F |
| PRESSURE RANGE | 0 TO 3,600 (SINGLE)PSI 0 TO 8,700 (TANDEM) PSI |
| SPEED | 1.6 FT/SEC |

BUFFER SEALS

| Part Number | A Nom. ID | B Nom. OD | C Nom. Ht | D GROOVE WIDTH | E ROD DIAMETER | G HOUSING DIAMETER | List Price |
|----------------|--------------|--------------|--------------|------------------------|---------------------------|---------------------------|------------|
| MKR-25X32.3X3U | 25 | 32.3 | 3 | 3.20 +0.20 +0.00 | 25.00 -0.020 -0.053 | 32.30 +0.062 +0.000 | \$ 12.65 |
| MKR-25X35.7X4U | 25 | 35.7 | 4 | 4.20 +0.20 +0.00 | 25.00 -0.020 -0.053 | 35.70 +0.062 +0.000 | 12.73 |
| MKR-30X37.3X3U | 30 | 37.3 | 3 | 3.20 +0.20 +0.00 | 30.00 -0.020 -0.053 | 37.30 +0.062 +0.000 | 13.49 |
| MKR-32X42.7X4U | 32 | 42.7 | 4 | 4.20 +0.20 +0.00 | 32.00 -0.025 -0.064 | 42.70 +0.062 +0.000 | 13.75 |
| MKR-36X46.7X4U | 36 | 46.7 | 4 | 4.20 +0.20 +0.00 | 36.00 -0.025 -0.064 | 46.70 +0.062 +0.000 | 14.32 |
| MKR-40X50.7X4U | 40 | 50.7 | 4 | 4.20 +0.20 +0.00 | 40.00 -0.025 -0.064 | 50.70 +0.074 +0.000 | 18.73 |
| MKR-40X55.1X6U | 40 | 55.1 | 6 | 6.30 +0.20 +0.00 | 40.00 -0.025 -0.064 | 55.10 +0.074 +0.000 | 21.39 |
| MKR-45X60.1X6U | 45 | 60.1 | 6 | 6.30 +0.20 +0.00 | 45.00 -0.025 -0.064 | 60.10 +0.074 +0.000 | 21.75 |
| MKR-50X65.1X6U | 50 | 65.1 | 6 | 6.30 +0.20 +0.00 | 50.00 -0.025 -0.064 | 65.10 +0.074 +0.000 | 21.80 |
| MKR-55X70.1X6U | 55 | 70.1 | 6 | 6.30 +0.20 +0.00 | 55.00 -0.030 -0.076 | 70.10 +0.074 +0.000 | 21.83 |
| MKR-56X71.1X6U | 56 | 71.1 | 6 | 6.30 +0.20 +0.00 | 56.00 -0.030 -0.076 | 71.10 +0.074 +0.000 | 21.85 |
| MKR-60X75.1X6U | 60 | 75.1 | 6 | 6.30 +0.20 +0.00 | 60.00 -0.030 -0.076 | 75.10 +0.074 +0.000 | 21.91 |
| MKR-63X78.1X6U | 63 | 78.1 | 6 | 6.30 +0.20 +0.00 | 63.00 -0.030 -0.076 | 78.10 +0.074 +0.000 | 27.42 |
| MKR-70X85.1X6U | 70 | 85.1 | 6 | 6.30 +0.20 +0.00 | 70.00 -0.030 -0.076 | 85.10 +0.087 +0.000 | 29.45 |
| MKR-80X95.1X6U | 80 | 95.1 | 6 | 6.30 +0.20 +0.00 | 80.00 -0.030 -0.076 | 95.10 +0.087 +0.000 | 32.13 |

FORMERLY LISTED SEALS ARE AVAILABLE ONLINE AT WWW.HERCULESUS.COM
 OR BY CONTACTING YOUR REGIONAL HERCULES SALES TEAM.



STYLE MKR-U BUFFER SEALS

| Part Number | A Nom. ID | B Nom. OD | C Nom. Ht | D GROOVE WIDTH | E ROD DIAMETER | G HOUSING DIAMETER | List Price |
|------------------|--------------|--------------|--------------|--|--|--|---------------|
| MKR-90X105.1X6U | 90 | 105.1 | 6 | 6.30 ^{+0.20} / _{+0.00} | 90.00 ^{-0.036} / _{-0.090} | 105.10 ^{+0.087} / _{+0.000} | 38.41 |
| MKR-100X115.1X6U | 100 | 115.1 | 6 | 6.30 ^{+0.20} / _{+0.00} | 100.00 ^{-0.036} / _{-0.090} | 115.10 ^{+0.087} / _{+0.000} | 72.45 |
| MKR-105X120.1X6U | 105 | 120.1 | 6 | 6.30 ^{+0.20} / _{+0.00} | 105.00 ^{-0.036} / _{-0.090} | 120.10 ^{+0.10} / _{+0.00} | 73.05 |
| MKR-110X125.1X6U | 110 | 125.1 | 6 | 6.30 ^{+0.20} / _{+0.00} | 110.00 ^{-0.036} / _{-0.090} | 125.10 ^{+0.10} / _{+0.00} | 73.17 |
| MKR-120X135.1X6U | 120 | 135.1 | 6 | 6.30 ^{+0.20} / _{+0.00} | 120.00 ^{-0.036} / _{-0.090} | 135.10 ^{+0.10} / _{+0.00} | 75.58 |
| MKR-125X140.1X6U | 125 | 140.1 | 6 | 6.30 ^{+0.20} / _{+0.00} | 125.00 ^{-0.043} / _{-0.106} | 140.10 ^{+0.10} / _{+0.00} | 78.77 |
| MKR-130X145.1X6U | 130 | 145.1 | 6 | 6.30 ^{+0.20} / _{+0.00} | 130.00 ^{-0.043} / _{-0.106} | 145.10 ^{+0.10} / _{+0.00} | 80.56 |
| MKR-140X155.1X6U | 140 | 155.1 | 6 | 6.30 ^{+0.20} / _{+0.00} | 140.00 ^{-0.043} / _{-0.106} | 155.10 ^{+0.10} / _{+0.00} | 82.72 |
| MKR-150X165.1X6U | 150 | 165.1 | 6 | 6.30 ^{+0.20} / _{+0.00} | 150.00 ^{-0.043} / _{-0.106} | 165.10 ^{+0.10} / _{+0.00} | 95.56 |
| MKR-160X175.1X6U | 160 | 175.1 | 6 | 6.30 ^{+0.20} / _{+0.00} | 160.00 ^{-0.043} / _{-0.106} | 175.10 ^{+0.10} / _{+0.00} | 104.72 |
| MKR-180X195.1X6U | 180 | 195.1 | 6 | 6.30 ^{+0.20} / _{+0.00} | 180.00 ^{-0.043} / _{-0.106} | 195.10 ^{+0.115} / _{+0.000} | 120.84 |

BUFFER SEALS

Seal color may vary. Special order sizes are available. Sizes not shown and out of stock items can also be ordered for next day delivery through Seals On Demand, our custom seal program. Please call your regional sales team for assistance.

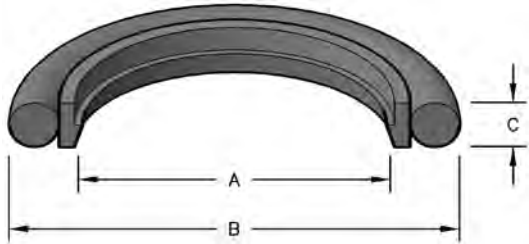
NORTH AMERICA
PHONE 1-800-777-5617
FAX 1-800-759-6391

SALES OFFICE HOURS
8 A.M. TO 7:30 P.M. EASTERN TIME
www.HerculesUS.com

WORLDWIDE
PHONE 1-727-796-1300
FAX 1-727-797-8849

STYLE MKR-V BUFFER SEALS

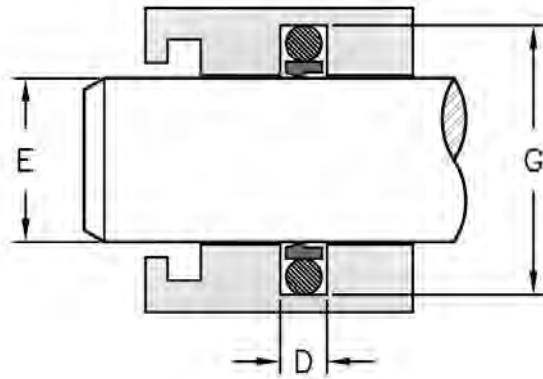
Molded in bronze-filled PTFE with an FKM energizer, this seal is used to protect the primary seal from damage caused by pressure spikes and excessive heat build up.



HERCULES PART NUMBERS

MKR - 25 X 33 X 3
 Style Prefix Inside Diameter Outside Diameter Height

| SEAL INFORMATION | |
|-------------------|------------------------------------|
| MATERIAL | BRONZE PTFE BUFFER, FKM ENER-GIZER |
| TEMPERATURE RANGE | -20 +400° F |
| PRESSURE RANGE | 0 TO 5,000 PSI |
| SPEED | 12 FT/SEC |



BUFFER SEALS

| Part Number | A Nom. ID | B Nom. OD | C Nom. Ht | D GROOVE WIDTH | E ROD DIAMETER | G HOUSING DIAMETER | List Price |
|---------------------|-----------|-----------|-----------|---------------------|------------------------|----------------------|------------|
| MKR-25X33X3.0V | 25 | 33 | 3 | 3.20 +0.20 +0.00 | 25.00 -0.020 -0.053 | 33.00 +0.20 +0.00 | \$34.71 |
| MKR-25X35.7X4V | 25 | 35.7 | 4 | 4.20 +0.20 +0.00 | 25.00 -0.020 -0.053 | 35.70 +0.20 +0.00 | 26.97 |
| MKR-30X40.7X3.9V | 30 | 40.7 | 3.9 | 4.20 +0.20 +0.00 | 30.00 -0.020 -0.053 | 40.70 +0.20 +0.00 | 34.04 |
| MKR-35X42.5X3V | 35 | 42.5 | 3 | 3.20 +0.20 +0.00 | 35.00 -0.025 -0.064 | 42.50 +0.20 +0.00 | 29.04 |
| MKR-40X52.6X4V | 40 | 52.6 | 4 | 4.20 +0.20 +0.00 | 40.00 -0.025 -0.064 | 52.60 +0.20 +0.00 | 34.49 |
| MKR-40X55.5X5.9V | 40 | 55.5 | 5.9 | 6.30 +0.20 +0.00 | 40.00 -0.025 -0.064 | 55.50 +0.20 +0.00 | 34.35 |
| MKR-45X57.6X4V | 45 | 57.6 | 4 | 4.20 +0.20 +0.00 | 45.00 -0.025 -0.064 | 57.60 +0.20 +0.00 | 33.11 |
| MKR-50X60X4.5V | 50 | 60 | 4.5 | 4.80 +0.20 +0.00 | 50.00 -0.025 -0.064 | 60.00 +0.20 +0.00 | 31.75 |
| MKR-50X62.6X4V | 50 | 62.6 | 4 | 4.20 +0.20 +0.00 | 50.00 -0.025 -0.064 | 62.60 +0.20 +0.00 | 40.40 |
| MKR-50X65.1X5.9-B5V | 50 | 65.1 | 5.9 | 6.30 +0.20 +0.00 | 50.00 -0.025 -0.064 | 65.10 +0.20 +0.00 | 90.96 |
| MKR-50X65.5X5.9V | 50 | 65.5 | 5.9 | 6.30 +0.20 +0.00 | 50.00 -0.025 -0.064 | 65.50 +0.20 +0.00 | 24.28 |
| MKR-56X68.6X4V | 56 | 68.6 | 4 | 4.20 +0.20 +0.00 | 56.00 -0.030 -0.076 | 68.60 +0.20 +0.00 | 40.51 |
| MKR-60X75.5X5.9V | 60 | 75.5 | 5.9 | 6.30 +0.20 +0.00 | 60.00 -0.030 -0.076 | 75.50 +0.20 +0.00 | 40.51 |
| MKR-63X75.6X3.9V | 63 | 75.6 | 3.9 | 4.20 +0.20 +0.00 | 63.00 -0.030 -0.076 | 75.60 +0.20 +0.00 | 29.41 |
| MKR-63X78.1X5.9-B5V | 63 | 78.1 | 5.9 | 6.30 +0.20 +0.00 | 63.00 -0.030 -0.076 | 78.10 +0.20 +0.00 | 42.29 |

FORMERLY LISTED SEALS ARE AVAILABLE ONLINE AT WWW.HERCULESUS.COM
 OR BY CONTACTING YOUR REGIONAL HERCULES SALES TEAM.



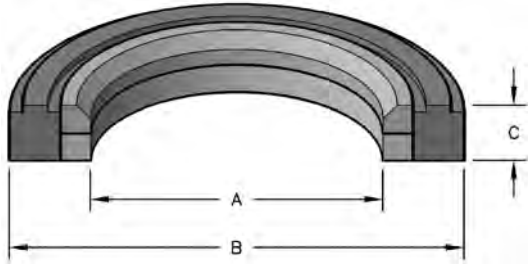
STYLE MKR-V BUFFER SEALS

| Part Number | A Nom. ID | B Nom. OD | C Nom. Ht | D GROOVE WIDTH | E ROD DIAMETER | G HOUSING DIAMETER | List Price |
|--------------------|--------------|--------------|--------------|--|--|--|---------------|
| MKR-65X80.5X5.9V | 65 | 80.5 | 5.9 | 6.30 ^{+0.20} / _{+0.00} | 65.00 ^{-0.030} / _{-0.076} | 80.50 ^{+0.20} / _{+0.00} | 39.06 |
| MKR-70X81X4V | 70 | 81 | 4 | 4.20 ^{+0.20} / _{+0.00} | 70.00 ^{-0.030} / _{-0.076} | 81.00 ^{+0.20} / _{+0.00} | 32.68 |
| MKR-70X85.5X5.9V | 70 | 85.5 | 5.9 | 6.30 ^{+0.20} / _{+0.00} | 70.00 ^{-0.030} / _{-0.076} | 85.50 ^{+0.20} / _{+0.00} | 45.37 |
| MKR-75X90.5X5.9V | 75 | 90.5 | 5.9 | 6.30 ^{+0.20} / _{+0.00} | 75.00 ^{-0.030} / _{-0.076} | 90.50 ^{+0.20} / _{+0.00} | 48.41 |
| MKR-80X95.5X5.9V | 80 | 95.5 | 5.9 | 6.30 ^{+0.20} / _{+0.00} | 80.00 ^{-0.030} / _{-0.076} | 95.50 ^{+0.20} / _{+0.00} | 52.16 |
| MKR-85X100.5X5.9V | 85 | 100.5 | 5.9 | 6.30 ^{+0.20} / _{+0.00} | 85.00 ^{-0.036} / _{-0.090} | 100.50 ^{+0.20} / _{+0.00} | 51.50 |
| MKR-90X105.5X5.9V | 90 | 105.5 | 5.9 | 6.30 ^{+0.20} / _{+0.00} | 90.00 ^{-0.036} / _{-0.090} | 105.50 ^{+0.20} / _{+0.00} | 56.65 |
| MKR-95X110.5X5.9V | 95 | 110.5 | 5.9 | 6.30 ^{+0.20} / _{+0.00} | 95.00 ^{-0.036} / _{-0.090} | 110.50 ^{+0.20} / _{+0.00} | 58.46 |
| MKR-100X115.5X5.9V | 100 | 115.5 | 5.9 | 6.30 ^{+0.20} / _{+0.00} | 100.00 ^{-0.036} / _{-0.090} | 115.50 ^{+0.20} / _{+0.00} | 59.39 |
| MKR-105X120.5X5.9V | 105 | 120.5 | 5.9 | 6.30 ^{+0.20} / _{+0.00} | 105.00 ^{-0.036} / _{-0.090} | 120.50 ^{+0.20} / _{+0.00} | 67.58 |
| MKR-110X125.5X5.9V | 110 | 125.5 | 5.9 | 6.30 ^{+0.20} / _{+0.00} | 110.00 ^{-0.036} / _{-0.090} | 125.50 ^{+0.20} / _{+0.00} | 70.54 |
| MKR-115X130.5X5.9V | 115 | 130.5 | 5.9 | 6.30 ^{+0.20} / _{+0.00} | 115.00 ^{-0.036} / _{-0.090} | 130.50 ^{+0.20} / _{+0.00} | 70.32 |
| MKR-120X135.5X5.9V | 120 | 135.5 | 5.9 | 6.30 ^{+0.20} / _{+0.00} | 120.00 ^{-0.036} / _{-0.090} | 135.50 ^{+0.20} / _{+0.00} | 70.67 |
| MKR-130X145.5X5.9V | 130 | 145.5 | 5.9 | 6.30 ^{+0.20} / _{+0.00} | 130.00 ^{-0.043} / _{-0.106} | 145.50 ^{+0.20} / _{+0.00} | 71.99 |
| MKR-140X155.5X5.9V | 140 | 155.5 | 5.9 | 6.30 ^{+0.20} / _{+0.00} | 140.00 ^{-0.043} / _{-0.106} | 155.50 ^{+0.20} / _{+0.00} | 68.73 |
| MKR-150X165.5X5.9V | 150 | 165.5 | 5.9 | 6.30 ^{+0.20} / _{+0.00} | 150.00 ^{-0.043} / _{-0.106} | 165.50 ^{+0.20} / _{+0.00} | 76.77 |
| MKR-160X175.5X5.9V | 160 | 175.5 | 5.9 | 6.30 ^{+0.20} / _{+0.00} | 160.00 ^{-0.043} / _{-0.106} | 175.50 ^{+0.20} / _{+0.00} | 79.00 |
| MKR-170X185.5X5.9V | 170 | 185.5 | 5.9 | 6.30 ^{+0.20} / _{+0.00} | 170.00 ^{-0.043} / _{-0.106} | 185.50 ^{+0.20} / _{+0.00} | 97.13 |

BUFFER SEALS

STYLE MNBR BUFFER SEALS

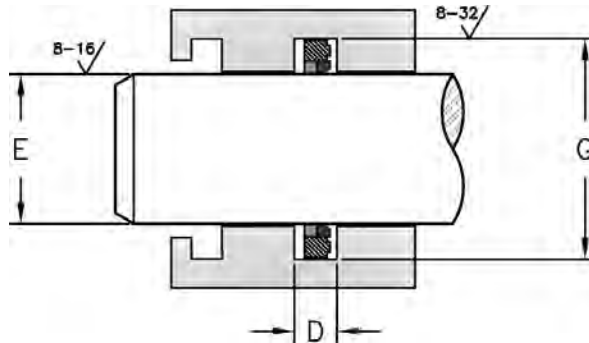
Molded in PTFE with a rubber energizer and nylon anti-extrusion ring, this seal absorbs the shock of pressure spikes to protect the rod seal.



HERCULES PART NUMBERS

MNBR - 55 X 70.5 X 5.9
 Type of Seal Inside Diameter Outside Diameter Height

| SEAL INFORMATION | |
|-------------------|---|
| MATERIAL | PTFE BUFFER 70A NBR ENERGIZER NYLON BACK-UP |
| TEMPERATURE RANGE | -40° TO +220° F |
| PRESSURE RANGE | 0 TO 5,000 PSI |
| SPEED | 3 FT/SEC |



| Part Number | A Nom. ID | B Nom. OD | C Nom. Ht | D GROOVE WIDTH | E ROD DIAMETER | G HOUSING DIAMETER | List Price |
|--------------------|--------------|--------------|--------------|----------------------|-------------------------|--------------------------|------------|
| MNBR-55X70.5X5.9 | 55 | 70.5 | 5.9 | 6.30 +0.20 +0.00 | 55.00 -0.030 -0.076 | 70.50 +0.074 +0.000 | \$48.02 |
| MNBR-60X75.5X5.9 | 60 | 75.5 | 5.9 | 6.30 +0.20 +0.00 | 60.00 -0.030 -0.076 | 75.50 +0.074 +0.000 | 51.74 |
| MNBR-65X80.5X5.9 | 65 | 80.5 | 5.9 | 6.30 +0.20 +0.00 | 65.00 -0.030 -0.076 | 80.50 +0.087 +0.000 | 55.40 |
| MNBR-70X85.5X5.9 | 70 | 85.5 | 5.9 | 6.30 +0.20 +0.00 | 70.00 -0.030 -0.076 | 85.50 +0.087 +0.000 | 59.06 |
| MNBR-75X90.5X5.9 | 75 | 90.5 | 5.9 | 6.30 +0.20 +0.00 | 75.00 -0.030 -0.076 | 90.50 +0.087 +0.000 | 62.76 |
| MNBR-80X95.5X5.9 | 80 | 95.5 | 5.9 | 6.30 +0.20 +0.00 | 80.00 -0.030 -0.076 | 95.50 +0.087 +0.000 | 66.49 |
| MNBR-85X100.5X5.9 | 85 | 100.5 | 5.9 | 6.30 +0.20 +0.00 | 85.00 -0.036 -0.090 | 100.50 +0.087 +0.000 | 70.18 |
| MNBR-90X105.5X5.9 | 90 | 105.5 | 5.9 | 6.30 +0.20 +0.00 | 90.00 -0.036 -0.090 | 105.50 +0.087 +0.000 | 73.86 |
| MNBR-95X110.5X5.9 | 95 | 110.5 | 5.9 | 6.30 +0.20 +0.00 | 95.00 -0.036 -0.090 | 110.50 +0.087 +0.000 | 77.51 |
| MNBR-100X115.5X5.9 | 100 | 115.5 | 5.9 | 6.30 +0.20 +0.00 | 100.00 -0.036 -0.090 | 115.50 +0.087 +0.000 | 84.89 |
| MNBR-105X120.5X5.9 | 105 | 120.5 | 5.9 | 6.30 +0.20 +0.00 | 105.00 -0.036 -0.090 | 120.50 +0.10 +0.00 | 88.58 |
| MNBR-110X125.5X5.9 | 110 | 125.5 | 5.9 | 6.30 +0.20 +0.00 | 110.00 -0.036 -0.090 | 125.50 +0.10 +0.00 | 92.35 |
| MNBR-115X130.5X5.9 | 115 | 130.5 | 5.9 | 6.30 +0.20 +0.00 | 115.00 -0.036 -0.090 | 130.50 +0.10 +0.00 | 96.02 |
| MNBR-120X135.5X5.9 | 120 | 135.5 | 5.9 | 6.30 +0.20 +0.00 | 120.00 -0.036 -0.090 | 135.50 +0.10 +0.00 | 101.65 |
| MNBR-125X140.5X5.9 | 125 | 140.5 | 5.9 | 6.30 +0.20 +0.00 | 125.00 -0.043 -0.106 | 140.50 +0.10 +0.00 | 51.91 |

Seal color may vary. Special order sizes are available. Please call your regional sales team for assistance.

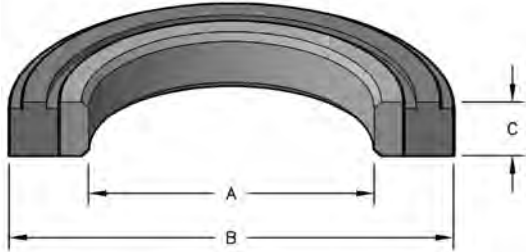
FORMERLY LISTED SEALS ARE AVAILABLE ONLINE AT WWW.HERCULESUS.COM
 OR BY CONTACTING YOUR REGIONAL HERCULES SALES TEAM.

BUFFER SEALS



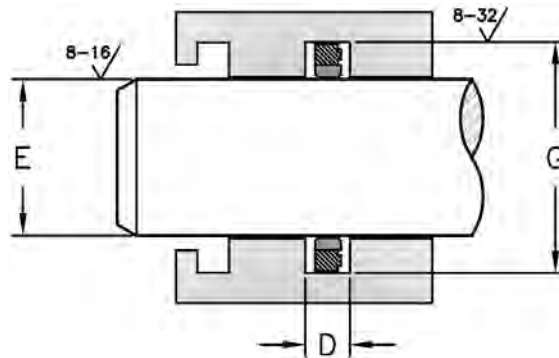
STYLE MSBR BUFFER SEALS

Molded in nylon with a rubber energizer, this seal absorbs the shock of pressure spikes and relieves back pressure by way of slots on the pressure side of the energizer.



HERCULES PART NUMBERS

MSBR - 70 X 80 X 6.3
 Type of Seal Inside Diameter Outside Diameter Height



| SEAL INFORMATION | |
|-------------------|--|
| MATERIAL | NYLON BUFFER 70A NITRILE ENERGIZER |
| TEMPERATURE RANGE | -40° TO +220° F |
| PRESSURE RANGE | 0 TO 5,000 PSI |
| SPEED | 3 FT/SEC |

BUFFER SEALS

| Part Number | A Nom. ID | B Nom. OD | C Nom. Ht | D GROOVE WIDTH | E ROD DIAMETER | G HOUSING DIAMETER | List Price |
|------------------|--------------|--------------|--------------|----------------------|-------------------------|--------------------------|---------------|
| MSBR-70X80X6.3 | 70 | 80 | 5.9 | 6.30 +0.20 +0.00 | 70.00 -0.030 -0.076 | 80.00 +0.074 +0.000 | \$22.27 |
| MSBR-75X85X6.3 | 75 | 85 | 5.9 | 6.30 +0.20 +0.00 | 75.00 -0.030 -0.076 | 85.00 +0.087 +0.000 | 23.68 |
| MSBR-80X90X6.3 | 80 | 90 | 5.9 | 6.30 +0.20 +0.00 | 80.00 -0.030 -0.076 | 90.00 +0.087 +0.000 | 25.09 |
| MSBR-85X95X6.3 | 85 | 95 | 5.9 | 6.30 +0.20 +0.00 | 85.00 -0.036 -0.090 | 95.00 +0.087 +0.000 | 26.45 |
| MSBR-90X100X6.3 | 90 | 100 | 5.9 | 6.30 +0.20 +0.00 | 90.00 -0.036 -0.090 | 100.00 +0.087 +0.000 | 27.87 |
| MSBR-95X105X6.3 | 95 | 105 | 5.9 | 6.30 +0.20 +0.00 | 95.00 -0.036 -0.090 | 105.00 +0.087 +0.000 | 29.26 |
| MSBR-100X110X6.3 | 100 | 110 | 5.9 | 6.30 +0.20 +0.00 | 100.00 -0.036 -0.090 | 110.00 +0.087 +0.000 | 32.02 |
| MSBR-110X120X6.3 | 110 | 120 | 5.9 | 6.30 +0.20 +0.00 | 110.00 -0.036 -0.090 | 120.00 +0.087 +0.000 | 34.80 |

Seal color may vary. Special order sizes are available. Please call your regional sales team for assistance.

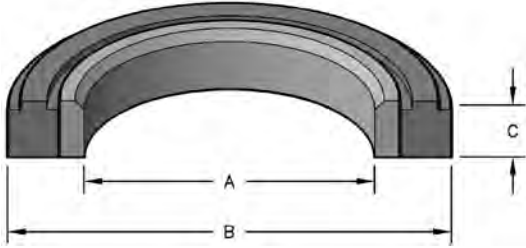
NORTH AMERICA
PHONE 1-800-777-5617
FAX 1-800-759-6391

SALES OFFICE HOURS
8 A.M. TO 7:30 P.M. EASTERN TIME
www.HerculesUS.com

WORLDWIDE
PHONE 1-727-796-1300
FAX 1-727-797-8849

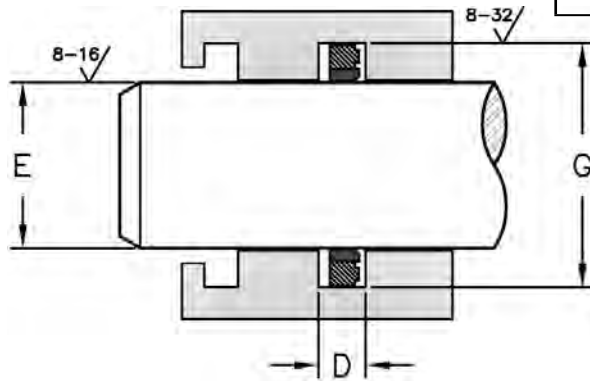
STYLE MYBR BUFFER SEALS

Molded in PTFE with a rubber energizer, this seal absorbs the shock of pressure spikes to protect the rod seal. This style relieves back pressure by way of slots on the pressure side of the energizer.



HERCULES PART NUMBERS

MYBR - 40 X 55.5 X 5.9
 Type of Seal Inside Diameter Outside Diameter Height



| SEAL INFORMATION | |
|-------------------|--|
| MATERIAL | FILLED PTFE BUFFER 70A NITRILE ENERGIZER |
| TEMPERATURE RANGE | -40° TO +220° F |
| PRESSURE RANGE | 0 TO 5,000 PSI |
| SPEED | 12 FT/SEC |

| Part Number | A Nom. ID | B Nom. OD | C Nom. Ht | D GROOVE WIDTH | E ROD DIAMETER | G HOUSING DIAMETER | List Price |
|--------------------|--------------|--------------|--------------|----------------------|-------------------------|--------------------------|------------|
| MYBR-40X55.5X5.9 | 40 | 55.5 | 5.9 | 6.30 +0.20 +0.00 | 40.00 -0.025 -0.064 | 55.50 +0.074 +0.000 | \$ 12.17 |
| MYBR-45X60.5X5.9 | 45 | 60.5 | 5.9 | 6.30 +0.20 +0.00 | 45.00 -0.025 -0.064 | 60.50 +0.074 +0.000 | 13.13 |
| MYBR-55X70.5X5.9 | 55 | 70.5 | 5.9 | 6.30 +0.20 +0.00 | 55.00 -0.030 -0.076 | 70.50 +0.074 +0.000 | 24.85 |
| MYBR-60X75.5X5.9 | 60 | 75.5 | 5.9 | 6.30 +0.20 +0.00 | 60.00 -0.030 -0.076 | 75.50 +0.074 +0.000 | 26.84 |
| MYBR-65X80.5X5.9 | 65 | 80.5 | 5.9 | 6.30 +0.20 +0.00 | 65.00 -0.030 -0.076 | 80.50 +0.087 +0.000 | 28.74 |
| MYBR-70X85.5X5.9 | 70 | 85.5 | 5.9 | 6.30 +0.20 +0.00 | 70.00 -0.030 -0.076 | 85.50 +0.087 +0.000 | 30.68 |
| MYBR-75X90.5X5.9 | 75 | 90.5 | 5.9 | 6.30 +0.20 +0.00 | 75.00 -0.030 -0.076 | 90.50 +0.087 +0.000 | 32.61 |
| MYBR-80X95.5X5.9 | 80 | 95.5 | 5.9 | 6.30 +0.20 +0.00 | 80.00 -0.030 -0.076 | 95.50 +0.087 +0.000 | 34.51 |
| MYBR-85X100.5X5.9 | 85 | 100.5 | 5.9 | 6.30 +0.20 +0.00 | 85.00 -0.036 -0.090 | 100.50 +0.087 +0.000 | 36.42 |
| MYBR-90X105.5X5.9 | 90 | 105.5 | 5.9 | 6.30 +0.20 +0.00 | 90.00 -0.036 -0.090 | 105.50 +0.087 +0.000 | 38.34 |
| MYBR-95X110.5X5.9 | 95 | 110.5 | 5.9 | 6.30 +0.20 +0.00 | 95.00 -0.036 -0.090 | 110.50 +0.087 +0.000 | 40.29 |
| MYBR-100X115.5X5.9 | 100 | 115.5 | 5.9 | 6.30 +0.20 +0.00 | 100.00 -0.036 -0.090 | 115.50 +0.087 +0.000 | 44.09 |
| MYBR-105X120.5X5.9 | 105 | 120.5 | 5.9 | 6.30 +0.20 +0.00 | 105.00 -0.036 -0.090 | 120.50 +0.10 +0.00 | 46.05 |
| MYBR-110X125.5X5.9 | 110 | 125.5 | 5.9 | 6.30 +0.20 +0.00 | 110.00 -0.036 -0.090 | 125.50 +0.10 +0.00 | 47.96 |
| MYBR-115X130.5X5.9 | 115 | 130.5 | 5.9 | 6.30 +0.20 +0.00 | 115.00 -0.036 -0.090 | 130.50 +0.10 +0.00 | 30.85 |

BUFFER SEALS



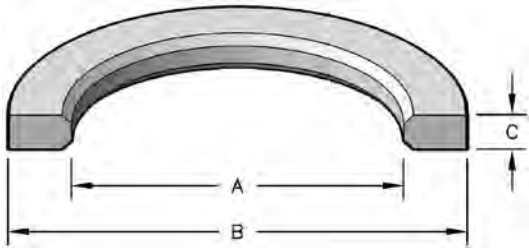
STYLE MYBR BUFFER SEALS

| Part Number | A Nom. ID | B Nom. OD | C Nom. Ht | D GROOVE WIDTH | E ROD DIAMETER | G HOUSING DIAMETER | List Price |
|----------------------|--------------|--------------|--------------|----------------------|-------------------------|--------------------------|---------------|
| MYBR-120X135.5X5.9 | 120 | 135.5 | 5.9 | 6.30 +0.20 +0.00 | 120.00 -0.036 -0.090 | 135.50 +0.10 +0.00 | 49.87 |
| MYBR-125X140.5X5.9 | 125 | 140.5 | 5.9 | 6.30 +0.20 +0.00 | 125.00 -0.043 -0.106 | 140.50 +0.10 +0.00 | 50.33 |
| MYBR-130X145.5X5.9 | 130 | 145.5 | 5.9 | 6.30 +0.20 +0.00 | 130.00 -0.043 -0.106 | 145.50 +0.10 +0.00 | 34.72 |
| MYBR-140X155.5X5.9 | 140 | 155.5 | 5.9 | 6.30 +0.20 +0.00 | 140.00 -0.043 -0.106 | 155.50 +0.10 +0.00 | 51.69 |
| MYBR-150X165.5X5.9 | 150 | 165.5 | 5.9 | 6.30 +0.20 +0.00 | 150.00 -0.043 -0.106 | 165.50 +0.10 +0.00 | 52.94 |
| MYBR-160X175.5X5.9 * | 160 | 175.5 | 5.9 | 6.30 +0.20 +0.00 | 160.00 -0.043 -0.106 | 175.50 +0.10 +0.00 | 2.85 |
| MYBR-180X200.5X7.5 | 180 | 200.5 | 7.5 | 8.10 +0.20 +0.00 | 180.00 -0.043 -0.106 | 200.50 +0.115 +0.000 | 91.67 |

* Closeout item - Price Shown as Net. This item will no longer be available once stock has been depleted.

STYLE MIR BUFFER SEALS

Molded in polyurethane, this buffer seal is a simple flat, washer-like profile.



HERCULES PART NUMBERS

MIR - 25 X 33.6 X 2.3
 Type of Seal | Inside Diameter | Outside Diameter | Height

SEAL INFORMATION

| | |
|-------------------|-----------------|
| MATERIAL | URETHANE |
| TEMPERATURE RANGE | -40° TO +200° F |
| PRESSURE RANGE | 0 TO 5,000 PSI |
| SPEED | 3 FT/SEC |

| Part Number | A Nom. ID | B Nom. OD | C Nom. Ht | List Price |
|--------------------|--------------|--------------|--------------|---------------|
| MIR-25X33.6X2.3 | 25 | 33.6 | 2.3 | \$22.96 |
| MIR-30X41X2.9 | 30 | 41 | 2.9 | 24.19 |
| MIR-35X46X2.9 | 35 | 46 | 2.9 | 4.30 |
| MIR-35X48X3 | 35 | 48 | 3 | 8.79 |
| MIR-40X48X3 | 40 | 48 | 3 | 8.96 |
| MIR-50X55.5X3.4-G2 | 50 | 55.5 | 3.4 | 23.83 |
| MIR-50X58X2.9 | 50 | 58 | 2.9 | 8.49 |
| MIR-50X62X3 | 50 | 62 | 3 | 6.19 |
| MIR-50X62.6X4 | 50 | 62.6 | 4 | 9.90 |
| MIR-56X68.6X4 | 56 | 68.6 | 4 | 10.47 |
| MIR-56X70X3 | 56 | 70 | 3 | 10.47 |
| MIR-56X73X4.8 | 56 | 73 | 4.8 | 10.12 |
| MIR-60X72X3.4 | 60 | 72 | 3.4 | 10.50 |
| MIR-63X80X4.7 | 63 | 80 | 4.7 | 10.87 |
| MIR-65X77X3.2 | 65 | 77 | 3.2 | 10.38 |
| MIR-65X78X4 | 65 | 78 | 4 | 12.11 |
| MIR-70X83X4 | 70 | 83 | 4 | 13.09 |
| MIR-70X83.5X3 | 70 | 83.5 | 3 | 12.36 |
| MIR-70X84X3 | 70 | 84 | 3 | 13.09 |
| MIR-75X88X4 | 75 | 88 | 4 | 10.07 |
| MIR-80X93X4 | 80 | 93 | 4 | 14.56 |
| MIR-90X104X4 | 90 | 104 | 4 | 11.25 |
| MIR-100X113X4 | 100 | 113 | 4 | 14.66 |

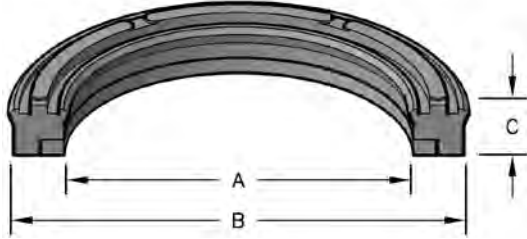
NORTH AMERICA
 PHONE 1-800-777-5617
 FAX 1-800-759-6391

SALES OFFICE HOURS
 8 A.M. TO 7:30 P.M. EASTERN TIME
 www.HerculesUS.com

WORLDWIDE
 PHONE 1-727-796-1300
 FAX 1-727-797-8849

STYLE MBRW BUFFER SEALS

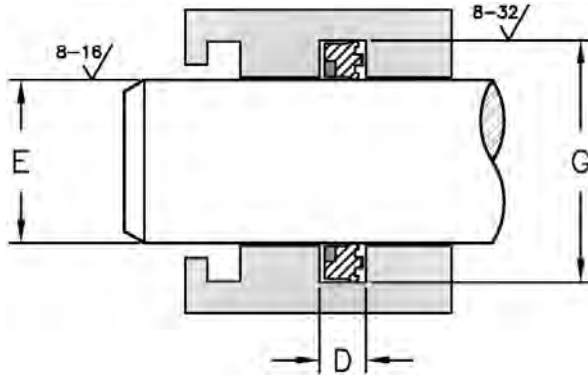
This compact rod seal is primarily used as a buffer seal and is often found in construction machinery cylinders. It was developed for use under extreme pressure and where pressure spikes up to 14000 psi are not uncommon.



HERCULES PART NUMBERS

MBRW - 60 X 75 X 8.5
 Type of Seal Inside Diameter Outside Diameter Height

| SEAL INFORMATION | |
|-------------------|---------------|
| MATERIAL | 93A URETHANE |
| TEMPERATURE RANGE | -30 +230° F |
| PRESSURE RANGE | 0 TO 7200 PSI |
| SPEED | 1.5 FT/SEC |



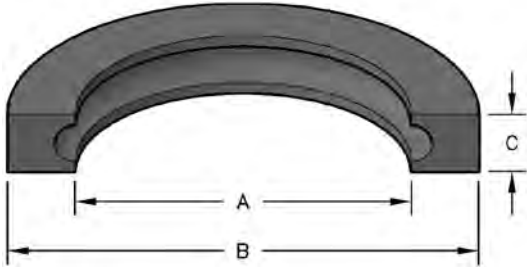
BUFFER SEALS

| Part Number | A Nom. ID | B Nom. OD | C Nom. Ht | D GROOVE WIDTH | E ROD DIAMETER | G HOUSING DIAMETER | List Price |
|-------------------|--------------|--------------|--------------|-------------------------|----------------------------|--------------------------|---------------|
| MBRW-60X75X8.5 | 60 | 75 | 8.5 | 9.50 +0.20 +0.00 | 60.00 -0.03 -0.06 | 75.00 +0.19 +0.00 | \$73.66 |
| MBRW-70X85X8.5 | 70 | 85 | 8.5 | 9.50 +0.20 +0.00 | 70.00 -0.03 -0.06 | 85.00 +0.22 +0.00 | 70.37 |
| MBRW-80X95X8.5 | 80 | 95 | 8.5 | 9.50 +0.20 +0.00 | 80.00 -0.03 -0.06 | 95.00 +0.22 +0.00 | 27.61 |
| MBRW-90X105X8.5 | 90 | 105 | 8.5 | 9.50 +0.20 +0.00 | 90.00 -0.036 -0.071 | 105.00 +0.22 +0.00 | 67.12 |
| MBRW-100X120X11.4 | 100 | 120 | 11.4 | 12.50 +0.20 +0.00 | 100.00 -0.036 -0.071 | 120.00 +0.22 +0.00 | 43.50 |
| MBRW-120X140X11.4 | 120 | 140 | 11.4 | 12.50 +0.20 +0.00 | 120.00 -0.036 -0.071 | 140.00 +0.25 +0.00 | 81.36 |
| MBRW-130X150X14.5 | 130 | 150 | 14.5 | 16.00 +0.20 +0.00 | 130.00 -0.043 -0.083 | 150.00 +0.25 +0.00 | 166.62 |
| MBRW-140X160X14.5 | 140 | 160 | 14.5 | 16.00 +0.20 +0.00 | 140.00 -0.043 -0.083 | 160.00 +0.25 +0.00 | 138.63 |
| MBRW-160X180X14.5 | 160 | 180 | 14.5 | 16.00 +0.20 +0.00 | 160.00 -0.043 -0.083 | 180.00 +0.25 +0.00 | 161.60 |
| MBRW-170X195X14.5 | 170 | 195 | 14.5 | 16.00 +0.20 +0.00 | 170.00 -0.043 -0.083 | 195.00 +0.29 +0.00 | 520.32 |
| MBRW-180X205X14.5 | 180 | 205 | 14.5 | 16.00 +0.20 +0.00 | 180.00 -0.043 -0.083 | 205.00 +0.29 +0.00 | 196.06 |
| MBRW-200X225X14.5 | 200 | 225 | 14.5 | 16.00 +0.20 +0.00 | 200.00 -0.050 -0.096 | 225.00 +0.29 +0.00 | 220.84 |



STYLE MUSW SWIVEL SEALS

Molded in polyurethane, these rotary pressure seals are specifically designed for use in hydraulic swivel joints.



HERCULES PART NUMBERS

MUSW - 70 X 80 X 5

Type of Seal: MUSW
 Inside Diameter: 70
 Outside Diameter: 80
 Height: 5

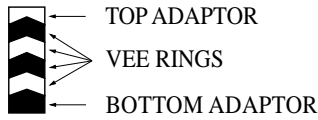
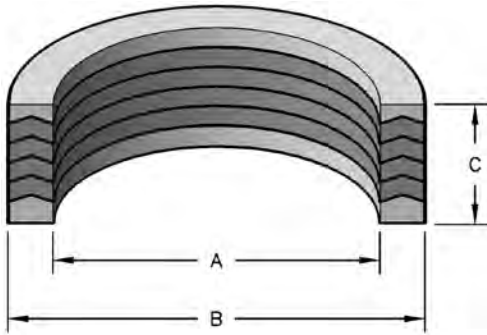
SEAL INFORMATION

| | |
|-------------------|-----------------|
| MATERIAL | 92A URETHANE |
| TEMPERATURE RANGE | -50° TO +220° F |
| PRESSURE RANGE | 0 TO 5,000 PSI |
| SPEED | 3 FT/SEC |

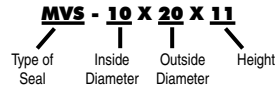
SWIVEL SEALS

| Part Number | A Nom. ID | B Nom. OD | C Nom. Ht | List Price |
|------------------|--------------|--------------|--------------|------------|
| MUSW-70X80X5 | 70 | 80 | 5 | \$31.09 |
| MUSW-80X90X4.8 | 80 | 90 | 4.8 | 32.04 |
| MUSW-90X100X4.8 | 90 | 100 | 4.8 | 37.68 |
| MUSW-95X105X4.8 | 95 | 105 | 4.8 | 38.07 |
| MUSW-100X110X4.8 | 100 | 110 | 4.8 | 45.47 |
| MUSW-110X120X5 | 110 | 120 | 5 | 39.03 |
| MUSW-115X125X5 | 115 | 125 | 5 | 39.35 |
| MUSW-120X130X5 | 120 | 130 | 5 | 39.70 |

STYLE MVS VEE PACKING



HERCULES PART NUMBERS



Construction Code Example: 1-5-1

- 1 - 1 Top Adaptor
- 5 - 5 Vee Rings
- 1 - 1 Bottom Adaptor

Suffix: EI = Top adaptor has an internal anti-extrusion ring.
DR = Dry-rod application. Pre-loaded male adaptor.

| SEAL INFORMATION | |
|-------------------|---|
| MATERIAL | FABRIC / RUBBER VEE RINGS FABRIC / RUBBER OR ACETAL ADAPTORS |
| TEMPERATURE RANGE | -35° TO +220° F |
| PRESSURE RANGE | 0 TO 5,000 PSI |
| SPEED | 1.5 FT/SEC |

| Part Number | A Nom. ID | B Nom. OD | C Nom. Ht | CONSTRUCTION T-V-B | List Price |
|------------------|-----------|-----------|-----------|--------------------|------------|
| MVS-10X20X11 | 10 | 20 | 11 | 1-3-1 | \$48.42 |
| MVS-20X30X13.5 | 20 | 30 | 13.5 | 1-3-1 | 32.81 |
| MVS-20X30X18.5 | 20 | 30 | 17.5 | 1-5-1 | 18.49 |
| MVS-20X31.5X17.5 | 20 | 31.5 | 17.5 | 1-3-1 | 62.10 |
| MVS-20X32X20 | 20 | 32 | 20 | 1-2-1 | 21.25 |
| MVS-20X32X22.5 | 20 | 32 | 22.5 | 1-5-1 | 21.52 |
| MVS-25X37X22.5 | 25 | 37 | 22.5 | 1-5-1 | 22.08 |
| MVS-25X40X11 | 25 | 40 | 11 | 1-1-1 | 21.81 |
| MVS-28X40X22.5 | 28 | 40 | 22.5 | 1-5-1 | 18.49 |
| MVS-30X42X22.5 | 30 | 42 | 22.5 | 1-5-1 | 33.24 |
| MVS-30X45X22.5 | 30 | 45 | 22.5 | 1-3-1 | 36.83 |
| MVS-32X44X22.5 | 32 | 44 | 22.5 | 1-5-1 | 25.51 |
| MVS-35X45X17.5 | 35 | 45 | 17.5 | 1-3-1 | 17.51 |
| MVS-35X47X22.5 | 35 | 47 | 22.5 | 1-5-1 | 25.51 |
| MVS-35X50X11 | 35 | 50 | 11 | 1-1-1 | 15.17 |
| MVS-35X50X22.5 | 35 | 50 | 22.5 | 1-3-1 | 50.16 |
| MVS-36X48X22.5 | 36 | 48 | 22.5 | 1-5-1 | 27.85 |
| MVS-36X51X22.5 | 36 | 51 | 22.5 | 1-5-1 | 31.17 |
| MVS-36X51X25 | 36 | 51 | 25 | 1-5-1 | 46.86 |
| MVS-40X50X16 | 40 | 50 | 16 | 1-3-1 | 38.39 |
| MVS-40X50X17.3 | 40 | 50 | 17.3 | 1-3-1 | 50.16 |
| MVS-40X50X20 | 40 | 50 | 20.5 | 1-5-1 | 101.15 |
| MVS-40X52X22.5 | 40 | 52 | 22.5 | 1-5-1 | 35.05 |
| MVS-40X55X22.6 | 40 | 55 | 22.6 | 1-3-1 | 50.16 |
| MVS-40X55X24 | 40 | 55 | 23 | 1-5-1 | 55.53 |
| MVS-40X56X17.6 | 40 | 56 | 17.6 | 1-3-1 | 50.16 |
| MVS-42X54X22.5 | 42 | 54 | 22.5 | 1-5-1 | 24.96 |
| MVS-45X55X16 | 45 | 55 | 16 | 1-3-1 | 40.19 |
| MVS-45X60X11 | 45 | 60 | 11 | 1-1-1 | 29.25 |
| MVS-45X60X22.5 | 45 | 60 | 22.5 | 1-5-1 | 96.09 |
| MVS-45X60X22.5V | 45 | 60 | 22.5 | 1-5-1 | 112.15 |
| MVS-45X60X25 | 45 | 60 | 25 | 1-4-1 | 52.16 |
| MVS-45X65X28 | 45 | 65 | 28 | 1-3-1 | 60.92 |
| MVS-48X63X12.5 | 48 | 63 | 12.5 | 1-1-1 | 19.29 |
| MVS-48X63X12.5V | 48 | 63 | 12.5 | 1-1-1 | 65.10 |
| MVS-50X65X16 | 50 | 65 | 16 | 0-3-1 | 31.22 |
| MVS-50X65X22.5 | 50 | 65 | 22.5 | 1-3-1 | 71.60 |
| MVS-50X65X22.5V | 50 | 65 | 22.5 | | 116.08 |

| Part Number | A Nom. ID | B Nom. OD | C Nom. Ht | CONSTRUCTION T-V-B | List Price |
|------------------|-----------|-----------|-----------|--------------------|------------|
| MVS-50X65X24.6 | 50 | 65 | 24.6 | 1-3-1 | 57.23 |
| MVS-50X70X30 | 50 | 70 | 30 | 1-3-1 | 94.30 |
| MVS-50X70X35 | 50 | 70 | 35 | 1-3-1 | 110.80 |
| MVS-55X70X22.5 | 55 | 70 | 22.5 | 1-3-1 | 31.41 |
| MVS-55X70X26.5 | 55 | 70 | 25.5 | 1-3-1 | 60.87 |
| MVS-55X75X26 | 55 | 75 | 26 | 1-3-1 | 56.00 |
| MVS-56X71X16 | 56 | 71 | 16 | 0-3-1 | 32.67 |
| MVS-56X71X22.5 | 56 | 71 | 22.5 | 1-3-1 | 60.87 |
| MVS-56X71X22.5V | 56 | 71 | 22.5 | 1-5-1 | 119.39 |
| MVS-56X76X33 | 56 | 76 | 33 | 1-3-1 | 109.42 |
| MVS-60X75X22.5 | 60 | 75 | 22.5 | 1-5-1 | 65.42 |
| MVS-60X80X14.6 | 60 | 80 | 14.6 | 1-1-1 | 50.22 |
| MVS-60X80X37 | 60 | 80 | 37 | 1-5-1 | 59.58 |
| MVS-63X78X16 | 63 | 78 | 16 | 0-3-1 | 33.94 |
| MVS-63X78X22.5 | 63 | 78 | 22.5 | 1-5-1 | 56.56 |
| MVS-63X83X30DR | 63 | 83 | 27 | 1-2-1 | 82.64 |
| MVS-65X80X22.5 | 65 | 80 | 22.5 | 1-3-1 | 62.85 |
| MVS-70X85X22.5 | 70 | 85 | 22.5 | 1-5-1 | 125.14 |
| MVS-70X85X22.5V | 70 | 85 | 22.5 | 1-5-1 | 130.52 |
| MVS-70X85X25 | 70 | 85 | 25 | 1-5-1 | 68.17 |
| MVS-70X90X30 | 70 | 90 | 30 | 1-3-1 | 77.86 |
| MVS-70X90X35 | 70 | 90 | 35 | 1-3-1 | 43.18 |
| MVS-70X90X40 | 70 | 90 | 40 | 1-5-1 | 83.60 |
| MVS-75X90X22.5 | 75 | 90 | 22.5 | 1-5-1 | 56.68 |
| MVS-75X95X30DR | 75 | 95 | 28 | 1-2-1 | 90.09 |
| MVS-75X95X40 | 75 | 95 | 40 | 1-5-1 | 87.34 |
| MVS-80X95X22.5 | 80 | 95 | 22.5 | 1-3-1 | 77.37 |
| MVS-80X100X20.5 | 80 | 100 | 20.5 | 1-1-1 | 36.56 |
| MVS-80X100X20.6V | 80 | 100 | 20.6 | 1-1-1 | 93.86 |
| MVS-80X100X40 | 80 | 100 | 40 | 1-5-1 | 84.65 |
| MVS-85X100X25 | 85 | 100 | 25 | 1-3-1 | 49.97 |
| MVS-85X105X40 | 85 | 105 | 40 | 1-5-1 | 88.34 |
| MVS-90X105X22.5 | 90 | 105 | 22.5 | 1-3-1 | 84.81 |
| MVS-90X105X22.5V | 90 | 105 | 22.5 | 1-5-1 | 137.64 |
| MVS-90X110X30 | 90 | 110 | 30 | 1-2-1 | 94.88 |
| MVS-90X110X40 | 90 | 110 | 40 | 1-5-1 | 118.92 |
| MVS-95X120X33 | 95 | 120 | 33 | 1-3-1 | 103.60 |
| MVS-100X115X30 | 100 | 115 | 30 | 1-3-1 | 84.81 |

VEE PACKING



STYLE MVS VEE PACKING

| Part Number | A Nom. ID | B Nom. OD | C Nom. Ht | CONSTRUCTION T-V-B | List Price |
|------------------|--------------|--------------|--------------|-----------------------|---------------|
| MVS-100X120X30DR | 100 | 120 | 28 | 1-3-1 | 144.40 |
| MVS-100X120X40 | 100 | 120 | 39 | 1-5-1 | 114.11 |
| MVS-100X125X25V | 100 | 125 | 25 | 1-1-1 | 103.06 |
| MVS-100X125X25.8 | 100 | 125 | 25.8 | 1-1-1 | 62.38 |
| MVS-110X125X30 | 110 | 125 | 30 | 1-3-1 | 71.65 |
| MVS-110X130X30DR | 110 | 130 | 28 | 1-3-1 | 107.34 |
| MVS-115X140X25 | 115 | 140 | 25 | 1-1-1 | 78.49 |
| MVS-115X140X25V | 115 | 140 | 25 | 1-1-1 | 107.20 |
| MVS-120X145X46 | 120 | 145 | 46 | 1-5-1 | 135.00 |
| MVS-125X140X34 | 125 | 140 | 34 | 1-5-1 | 141.00 |
| MVS-130X160X28V | 130 | 160 | 28 | 1-1-1 | 253.59 |
| MVS-140X155X34 | 140 | 155 | 34 | 1-5-1 | 189.15 |
| MVS-140X165X46 | 140 | 165 | 46 | 1-5-1 | 214.64 |
| MVS-150X170X30 | 150 | 170 | 30 | 1-3-1 | 124.71 |
| MVS-150X180X30.5 | 150 | 180 | 30.5 | 1-1-1 | 127.39 |
| MVS-150X180X60 | 150 | 180 | 60 | 1-5-1 | 339.81 |
| MVS-160X190X60 | 160 | 190 | 60 | 1-5-1 | 375.52 |
| MVS-180X210X60 | 180 | 210 | 60 | 1-5-1 | 357.63 |
| MVS-190X220X60 | 190 | 220 | 60 | 1-5-1 | 411.30 |
| MVS-200X230X60 | 200 | 230 | 60 | 1-5-1 | 429.18 |
| MVS-220X250X33.5 | 220 | 250 | 33.5 | 1-1-1 | 205.69 |

VEE PACKING

Seal color may vary. Special order sizes are available. Please call your regional sales team for assistance.

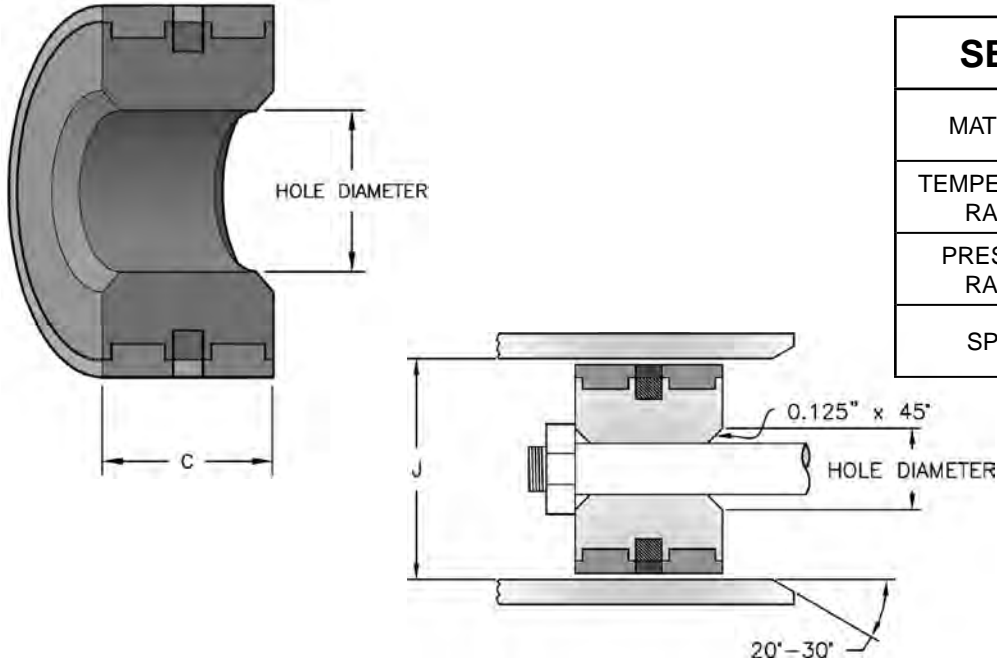
NORTH AMERICA
PHONE 1-800-777-5617
FAX 1-800-759-6391

SALES OFFICE HOURS
8 A.M. TO 7:30 P.M. EASTERN TIME
www.HerculesUS.com

WORLDWIDE
PHONE 1-727-796-1300
FAX 1-727-797-8849

UNITIZED PISTONS FOR JOHN DEERE & NEW HOLLAND

The John Deere and New Holland Unitized Pistons are designed to handle a broad range of application parameters. The piston body is machined to exact dimensions and is constructed using four components: a high strength steel body, a non-metallic bearing, a rubber loading ring, and a filled PTFE seal ring. The non-metallic bearing is molded to the piston using a special proprietary process.



| SEAL INFORMATION | |
|-------------------|-------------------------|
| MATERIAL | STEEL, NYLON, NBR, PTFE |
| TEMPERATURE RANGE | -40° TO +230° F |
| PRESSURE RANGE | 0 TO 5,000 PSI |
| SPEED | 3 FT/SEC |

UNITIZED PISTONS

| Part Number | C WIDTH | I PISTON DIAMETER | J BORE DIAMETER | HOLE DIAMETER | COUNTERBORE DIAMETER | COUNTERBORE DEPTH | List Price |
|-------------|---------|-------------------|-----------------|---------------|----------------------|----------------------|------------|
| JD-AH138200 | 31.24 | 49.96 | 50.00 | 16.56 | 25.01 ±0.051 | 10.01 ±0.25 | \$106.19 |
| JD-AH233516 | 31.24 | 49.96 | 50.00 | 16.56 | 32.02 ±0.051 | 10.01 ±0.25 | 106.19 |
| JD-AH174930 | 31.24 | 49.96 | 50.00 | 20.55 | 32.02 ±0.051 | 10.01 ±0.25 | 108.05 |
| JD-AH135785 | 31.24 | 55.88 | 56.00 | 16.59 | 25.01 ±0.051 | 10.01 ±0.25 | 139.73 |
| JD-AH142159 | 31.24 | 62.97 | 63.00 | 20.57 | 32.02 ±0.051 | 10.01 ±0.25 | 104.98 |
| JD-RE29383 | 31.24 | 62.97 | 63.00 | 22.20 | N/A | N/A | 136.00 |
| JD-AH137177 | 31.24 | 62.97 | 63.00 | 22.58 | 40.01 ±0.051 | 10.01 ±0.25 | 134.14 |
| JD-AH160647 | 31.24 | 62.97 | 63.00 | 22.58 | 45.02 ±0.051 | 10.01 ±0.25 | 134.14 |
| JD-AH166138 | 31.24 | 62.97 | 63.00 | 22.58 | 36.00 ±0.051 | 10.01 ±0.25 | 130.41 |
| JD-AH228448 | 31.24 | 62.97 | 63.00 | 24.56 | 36.00 ±0.051 | 10.01 ±0.25 | 79.81 |
| JD-AH172352 | 36.25 | 69.85 | 70.00 | 22.58 | 36.00 ±0.051 | 14.99 ±0.25 | 137.85 |
| JD-AH158623 | 36.25 | 69.85 | 70.00 | 24.56 | 40.01 ±0.051 | 14.99 ±0.25 | 108.05 |
| JD-RE34084 | 36.25 | 69.85 | 70.00 | 24.56 | 45.01 ±0.051 | 14.99 ±0.25 | 195.62 |
| JD-AH165962 | 36.25 | 69.85 | 70.00 | 27.58 | 45.01 ±0.051 | 14.99 ±0.25 | 195.62 |
| JD-AH227867 | 36.25 | 69.85 | 70.00 | 27.58 | 40.01 ±0.051 | 14.02 ±0.13 | 108.05 |
| NH-83962807 | 29.08 | 79.86 | 80.00 | 24.26 | 40.11 ±0.051 | 10.01 ±0.25 | 119.72 |
| NH-87432513 | 29.08 | 79.86 | 80.00 | 24.26 | 50.09 ±0.051 | 14.99 ±0.25 | 119.72 |
| JD-AH139078 | 29.08 | 79.86 | 80.00 | 24.56 | 40.01 ±0.051 | 9.50 ±0.25 | 173.81 |
| JD-AH165826 | 40.74 | 79.86 | 80.00 | 27.58 | 50.00 ±0.051 | 14.99 ±0.25 | 128.59 |
| JD-RE33968 | 40.74 | 79.86 | 80.00 | 27.58 | 45.01 ±0.051 | 19.51 ±0.25 | 251.49 |
| JD-RE34085 | 40.74 | 79.86 | 80.00 | 27.58 | 40.01 ±0.051 | 19.51 ±0.25 | 128.59 |
| JD-AH173410 | 40.74 | 79.86 | 80.00 | 30.58 | 50.00 ±0.051 | 14.99 ±0.25 | 162.07 |
| NH-85800981 | 29.08 | 89.87 | 90.00 | 24.26 | 50.09 ±0.051 | 14.99 ±0.25 | 133.02 |
| JD-AH169827 | 45.75 | 89.87 | 90.00 | 26.09 | 56.02 ±0.051 | 19.99 ±0.25 | 214.25 |
| JD-AH136453 | 45.75 | 89.87 | 90.00 | 27.58 | 45.02 ±0.051 | 19.99 ±0.25 | 223.56 |
| JD-AHC11073 | 40.13 | 89.97 | 90.00 | 30.58 | 50.01 ±0.025 | 14.50 ±0.25 | 204.88 |
| JD-AH141183 | 45.75 | 89.87 | 90.00 | 30.58 | 50.01 ±0.025 | 19.99 ±0.25 -0.23 | 198.70 |

FORMERLY LISTED SEALS ARE AVAILABLE ONLINE AT WWW.HERCULESUS.COM
OR BY CONTACTING YOUR REGIONAL HERCULES SALES TEAM.



UNITIZED PISTONS FOR JOHN DEERE & NEW HOLLAND

| Part Number | C WIDTH | I PISTON DIAMETER | J BORE DIAMETER | HOLE DIAMETER | COUNTERBORE DIAMETER | COUNTERBORE DEPTH | List Price |
|-------------|---------|-------------------|-----------------|---------------|------------------------|----------------------|------------|
| JD-AH169436 | 45.75 | 89.87 | 90.00 | 30.58 | 45.02 ±0.051 | 19.99 ±0.25 | 288.75 |
| JD-AH205060 | 45.75 | 89.87 | 90.00 | 30.58 | 50.01 ±0.025 | 19.99 +0.25 -0.23 | 198.70 |
| JD-AH169826 | 45.75 | 99.97 | 100.00 | 26.09 | 50.00 ±0.051 | 19.99 ±0.25 | 344.64 |
| JD-AHC10806 | 40.13 | 99.97 | 100.00 | 30.58 | 50.01 ±0.025 | 14.50 ±0.25 | 258.75 |
| JD-AH159034 | 45.75 | 99.97 | 100.00 | 30.58 | 50.00 ±0.051 | 19.99 ±0.25 | 330.47 |
| JD-AH205062 | 45.75 | 99.97 | 100.00 | 30.58 | 50.00 ±0.051 | 19.99 ±0.25 | 330.47 |
| NH-85800982 | 41.28 | 99.87 | 100.00 | 30.78 | 56.10 ±0.051 | 13.97 ±0.25 | 132.48 |
| JD-AH166637 | 45.75 | 99.97 | 100.00 | 33.63 | 56.02 ±0.051 | 19.99 ±0.25 | 353.97 |
| JD-AH164620 | 45.75 | 99.97 | 100.00 | 33.83 | 50.00 ±0.051 | 19.99 ±0.25 | 260.81 |
| NH-81875232 | 45.09 | 109.88 | 110.00 | 30.25 | 50.09 ±0.051 | 9.91 ±0.25 | 145.30 |
| JD-AHC10777 | 40.13 | 114.99 | 115.00 | 30.58 | 50.01 ±0.025 | 14.50 ±0.25 | 310.50 |
| NH-85800983 | 40.31 | 114.86 | 115.00 | 33.76 | 63.09 ±0.051 | 10.01 ±0.25 | 173.67 |
| NH-87611074 | 40.31 | 114.86 | 115.00 | 33.76 | 63.09 ±0.051 | 10.01 ±0.25 | 173.67 |
| JD-AH168884 | 45.75 | 114.96 | 115.00 | 36.63 | 56.02 ±0.051 | 19.99 ±0.25 | 288.75 |
| JD-AH167446 | 55.25 | 124.97 | 125.00 | 36.63 | 63.00 ±0.051 | 19.99 ±0.25 | 419.16 |
| JD-AH173851 | 63.53 | 152.32 | 152.00 | 42.52 | 70.00 +0.050 -0.025 | 38.00 ±0.25 | 573.05 |

UNITIZED PISTONS

Seal color may vary. Special order sizes are available. Please call your regional sales team for assistance.

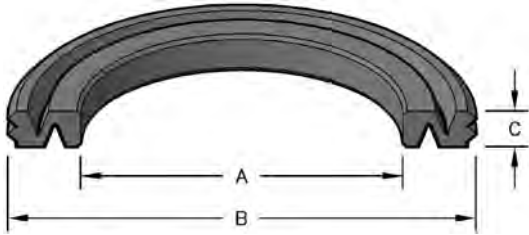
NORTH AMERICA
PHONE 1-800-777-5617
FAX 1-800-759-6391

SALES OFFICE HOURS
8 A.M. TO 7:30 P.M. EASTERN TIME
www.HerculesUS.com

WORLDWIDE
PHONE 1-727-796-1300
FAX 1-727-797-8849

STYLE MPK54 PISTON SEALS

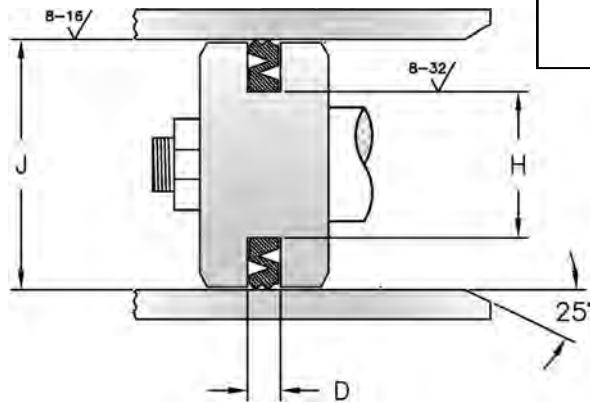
MPK54 is designed as a piston seal suitable for pneumatic cylinders and valves. MPK54 seals are useful in short stroke applications because of its ease of assembly and low friction capabilities.



HERCULES PART NUMBERS

MPK54 - 012

Type of Seal | Outside Diameter



| SEAL INFORMATION | |
|-------------------|-----------------|
| MATERIAL | 70A NBR |
| TEMPERATURE RANGE | -20° TO +220° F |
| PRESSURE RANGE | 0 TO 175 PSI |
| SPEED | 3 FT/SEC |

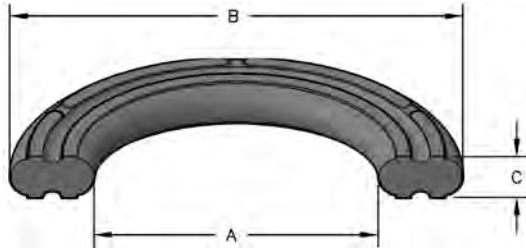
PISTON SEAL ASSEMBLIES

| Part Number | A Nom. ID | B Nom. OD | C Nom. Ht | D GROOVE WIDTH | H GROOVE DIAMETER | J BORE DIAMETER | List Price |
|-------------|--------------|--------------|--------------|--|--|--|---------------|
| MPK54-012 | 7 | 12 | 2 | 2.50 ^{+0.20} / _{+0.00} | 7.00 ^{+0.000} / _{-0.036} | 12.00 ^{+0.11} / _{+0.00} | \$2.19 |
| MPK54-016 | 9 | 16 | 2.1 | 2.50 ^{+0.20} / _{+0.00} | 9.00 ^{+0.000} / _{-0.036} | 16.00 ^{+0.11} / _{+0.00} | 2.60 |
| MPK54-020 | 13 | 20 | 2.1 | 2.50 ^{+0.20} / _{+0.00} | 13.00 ^{+0.000} / _{-0.043} | 20.00 ^{+0.13} / _{+0.00} | 2.89 |
| MPK54-025 | 18 | 25 | 2.1 | 2.50 ^{+0.20} / _{+0.00} | 18.00 ^{+0.000} / _{-0.043} | 25.00 ^{+0.13} / _{+0.00} | 3.43 |
| MPK54-028 | 19 | 28 | 2.5 | 3.00 ^{+0.20} / _{+0.00} | 19.00 ^{+0.000} / _{-0.052} | 28.00 ^{+0.13} / _{+0.00} | 3.51 |
| MPK54-030 | 21 | 30 | 2.5 | 3.00 ^{+0.20} / _{+0.00} | 21.00 ^{+0.000} / _{-0.052} | 30.00 ^{+0.13} / _{+0.00} | 3.51 |
| MPK54-032 | 23 | 32 | 2.5 | 3.00 ^{+0.20} / _{+0.00} | 23.00 ^{+0.000} / _{-0.052} | 32.00 ^{+0.16} / _{+0.00} | 3.72 |
| MPK54-035 | 26 | 35 | 2.5 | 3.00 ^{+0.20} / _{+0.00} | 26.00 ^{+0.000} / _{-0.052} | 35.00 ^{+0.16} / _{+0.00} | 3.89 |
| MPK54-040 | 31 | 40 | 2.5 | 3.00 ^{+0.20} / _{+0.00} | 31.00 ^{+0.000} / _{-0.062} | 40.00 ^{+0.16} / _{+0.00} | 4.14 |
| MPK54-045 | 36 | 45 | 2.5 | 3.00 ^{+0.20} / _{+0.00} | 36.00 ^{+0.000} / _{-0.062} | 45.00 ^{+0.16} / _{+0.00} | 4.59 |
| MPK54-050 | 41 | 50 | 2.5 | 3.00 ^{+0.20} / _{+0.00} | 41.00 ^{+0.000} / _{-0.062} | 50.00 ^{+0.16} / _{+0.00} | 5.15 |
| MPK54-060 | 44 | 60 | 3.4 | 4.00 ^{+0.20} / _{+0.00} | 44.00 ^{+0.000} / _{-0.062} | 60.00 ^{+0.19} / _{+0.00} | 5.74 |
| MPK54-063 | 51 | 63 | 3.4 | 4.00 ^{+0.20} / _{+0.00} | 51.00 ^{+0.000} / _{-0.074} | 63.00 ^{+0.19} / _{+0.00} | 5.84 |
| MPK54-070 | 58 | 70 | 3.4 | 4.00 ^{+0.20} / _{+0.00} | 58.00 ^{+0.000} / _{-0.074} | 70.00 ^{+0.19} / _{+0.00} | 6.22 |
| MPK54-080 | 68 | 80 | 3.4 | 4.00 ^{+0.20} / _{+0.00} | 68.00 ^{+0.000} / _{-0.074} | 80.00 ^{+0.19} / _{+0.00} | 6.84 |
| MPK54-100 | 88 | 100 | 3.4 | 4.00 ^{+0.20} / _{+0.00} | 88.00 ^{+0.000} / _{-0.087} | 100.00 ^{+0.22} / _{+0.00} | 7.54 |
| MPK54-125 | 110 | 125 | 4.4 | 5.00 ^{+0.20} / _{+0.00} | 110.00 ^{+0.000} / _{-0.087} | 125.00 ^{+0.25} / _{+0.00} | 9.90 |

FORMERLY LISTED SEALS ARE AVAILABLE ONLINE AT WWW.HERCULESUS.COM
OR BY CONTACTING YOUR REGIONAL HERCULES SALES TEAM.

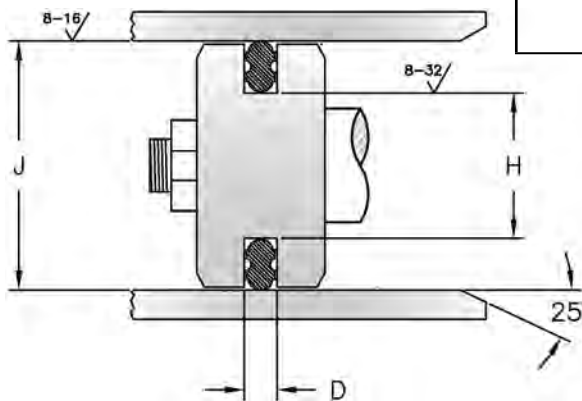
STYLE MPK62 PISTON SEALS

MPK62 is a double-acting pneumatic piston seal designed to work in low axial height housings. The solid body molded in 70 durometer nitrile provides superior low-pressuring sealing.



HERCULES PART NUMBERS

MPK62 - 032
 Style Prefix Bore Diameter



SEAL INFORMATION

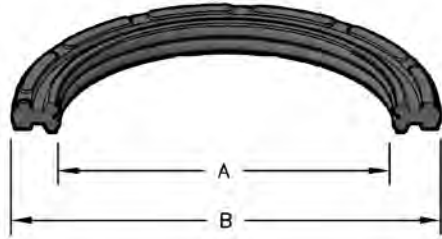
| | |
|-------------------|-----------------|
| MATERIAL | 70A NBR |
| TEMPERATURE RANGE | -20° TO +220° F |
| PRESSURE RANGE | 0 TO 175 PSI |
| SPEED | 3 FT/SEC |

| Part Number | A Nom. ID | B Nom. OD | C Nom. Ht | D GROOVE WIDTH | H GROOVE DIAMETER | J BORE DIAMETER | List Price |
|-------------|--------------|--------------|--------------|------------------------|----------------------------|--------------------------|---------------|
| MPK62-032 | 24 | 32 | 3.2 | 3.20 +0.20 +0.00 | 24.00 +0.000 -0.052 | 32.00 +0.16 +0.00 | \$6.61 |
| MPK62-040 | 32 | 40 | 3.2 | 3.20 +0.20 +0.00 | 32.00 +0.000 -0.062 | 40.00 +0.16 +0.00 | 7.24 |
| MPK62-050 | 40 | 50 | 4 | 4.00 +0.20 +0.00 | 40.00 +0.000 -0.062 | 50.00 +0.16 +0.00 | 9.59 |
| MPK62-060 | 50 | 60 | 4 | 4.00 +0.20 +0.00 | 50.00 +0.000 -0.062 | 60.00 +0.19 +0.00 | 9.85 |
| MPK62-063 | 53 | 63 | 4 | 4.00 +0.20 +0.00 | 53.00 +0.000 -0.074 | 63.00 +0.19 +0.00 | 10.75 |
| MPK62-080 | 65 | 80 | 6 | 6.00 +0.20 +0.00 | 65.00 +0.000 -0.074 | 80.00 +0.19 +0.00 | 12.58 |
| MPK62-100 | 85 | 100 | 6 | 6.00 +0.20 +0.00 | 85.00 +0.000 -0.087 | 100.00 +0.22 +0.00 | 13.99 |
| MPK62-125 | 110 | 125 | 6 | 6.00 +0.20 +0.00 | 110.00 +0.000 -0.087 | 125.00 +0.25 +0.00 | 14.32 |
| MPK62-140 | 125 | 140 | 6 | 6.00 +0.20 +0.00 | 125.00 +0.00 -0.10 | 140.00 +0.25 +0.00 | 14.67 |

NEW FOR 2016

STYLE MAPA PISTON SEALS

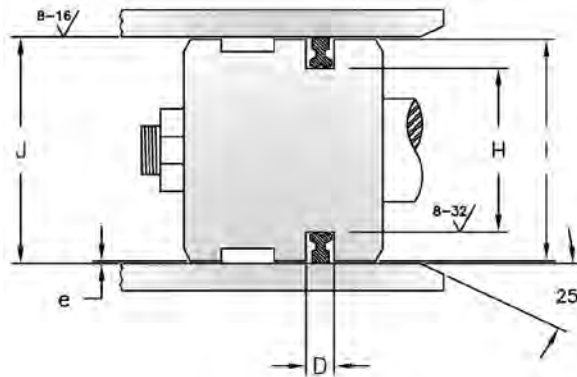
MAPA is a double-acting pneumatic piston seal designed to work with thin-type pistons. This design reduces damage caused by twisting and rolling.



HERCULES PART NUMBERS

MAPA - 22 X 30 X 3
 Type of Seal Inside Diameter Outside Diameter Height

| SEAL INFORMATION | |
|-------------------|-----------------|
| MATERIAL | 80 NBR |
| TEMPERATURE RANGE | -30° TO +248° F |
| PRESSURE RANGE | 0 TO 142 PSI |
| SPEED | 3 FT/SEC |



| Part Number | A Nom. ID | B Nom. OD | C Nom. Ht | D GROOVE WIDTH | H GROOVE DIAMETER | J BORE DIAMETER | List Price |
|------------------|--------------|--------------|--------------|------------------------|----------------------------|----------------------------|------------|
| MAPA-22X30X3 | 22 | 30 | 3 | 3.20 +0.20 +0.00 | 22.00 +0.000 -0.033 | 30.00 +0.052 +0.000 | \$ 6.33 |
| MAPA-24X32X3 | 24 | 32 | 3 | 3.20 +0.20 +0.00 | 24.00 +0.000 -0.033 | 32.00 +0.062 +0.000 | 6.61 |
| MAPA-32X40X3 | 32 | 40 | 3 | 3.20 +0.20 +0.00 | 32.00 +0.000 -0.039 | 40.00 +0.062 +0.000 | 7.24 |
| MAPA-40X50X3.8 | 40 | 50 | 3.8 | 4.00 +0.20 +0.00 | 40.00 +0.000 -0.039 | 50.00 +0.062 +0.000 | 9.37 |
| MAPA-53X63X3.8 | 53 | 63 | 3.8 | 4.00 +0.20 +0.00 | 53.00 +0.000 -0.046 | 63.00 +0.074 +0.000 | 10.13 |
| MAPA-65X80X5.7 | 65 | 80 | 5.7 | 6.00 +0.20 +0.00 | 65.00 +0.000 -0.046 | 80.00 +0.074 +0.000 | 13.25 |
| MAPA-85X100X5.7 | 85 | 100 | 5.7 | 6.00 +0.20 +0.00 | 85.00 +0.000 -0.054 | 100.00 +0.087 +0.000 | 13.99 |
| MAPA-110X125X5.7 | 110 | 125 | 5.7 | 6.00 +0.20 +0.00 | 110.00 +0.000 -0.054 | 125.00 +0.10 +0.00 | 14.70 |

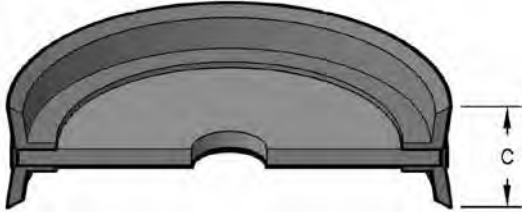
PISTON SEAL ASSEMBLIES

STYLE PU-TDA & PU-TDMA PISTON SEALS

View the complete PU-TDA & PU-TDMA product lines online at www.HerculesUS.com or contact a Hercules Sales Representative for Assistance.

STYLE MDPC PISTON SEALS

MDPC is a complete double-acting piston constructed of a steel plate bonded to nitrile rubber sealing lips. Pneumatic applications to 230 psi pressure.

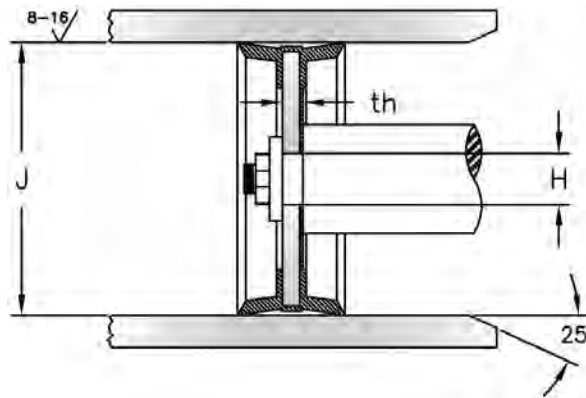


HERCULES PART NUMBERS

MDPC - 020
 Type of Seal Bore Diameter

SEAL INFORMATION

| | |
|-------------------|-----------------|
| MATERIAL | 75A NBR |
| TEMPERATURE RANGE | -22° TO +220° F |
| PRESSURE RANGE | 0 TO 230 PSI |
| SPEED | 3 FT/SEC |



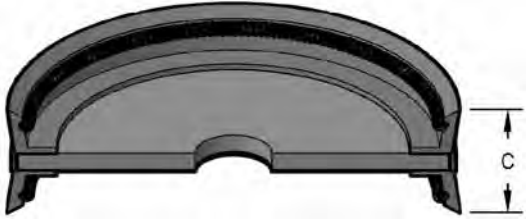
| Part Number | J BORE DIAMETER | H HOLE SIZE | C LIP HEIGHT | th THICKNESS | List Price |
|-------------|--|---|--------------|--------------|------------|
| MDPC-020 | 20.00 ^{+0.13} / _{+0.00} | 5.20 ^{+0.00} / _{-0.03} | 8.00 | 3.00 | \$5.16 |
| MDPC-025 | 25.00 ^{+0.13} / _{+0.00} | 8.00 ^{+0.000} / _{-0.036} | 12.00 | 4.00 | 5.16 |
| MDPC-032 | 32.00 ^{+0.16} / _{+0.00} | 8.00 ^{+0.000} / _{-0.036} | 15.00 | 4.00 | 6.14 |
| MDPC-040 | 40.00 ^{+0.16} / _{+0.00} | 10.00 ^{+0.000} / _{-0.036} | 18.00 | 5.00 | 7.74 |
| MDPC-050 | 50.00 ^{+0.16} / _{+0.00} | 10.00 ^{+0.000} / _{-0.036} | 18.00 | 5.00 | 8.92 |
| MDPC-050A | 50.00 ^{+0.16} / _{+0.00} | 16.00 ^{+0.000} / _{-0.043} | 20.50 | 4.00 | 10.03 |
| MDPC-063 | 63.00 ^{+0.19} / _{+0.00} | 12.00 ^{+0.000} / _{-0.043} | 22.00 | 6.00 | 11.39 |
| MDPC-070 | 70.00 ^{+0.19} / _{+0.00} | 12.00 ^{+0.000} / _{-0.043} | 22.00 | 6.00 | 14.46 |
| MDPC-080 | 80.00 ^{+0.19} / _{+0.00} | 16.00 ^{+0.000} / _{-0.043} | 22.50 | 5.00 | 16.63 |
| MDPC-080A | 80.00 ^{+0.19} / _{+0.00} | 16.00 ^{+0.000} / _{-0.043} | 25.00 | 6.50 | 16.06 |
| MDPC-090 | 90.00 ^{+0.22} / _{+0.00} | 16.00 ^{+0.000} / _{-0.043} | 25.00 | 6.50 | 20.49 |
| MDPC-100 | 100.00 ^{+0.22} / _{+0.00} | 16.00 ^{+0.000} / _{-0.043} | 25.00 | 6.50 | 21.88 |
| MDPC-100A | 100.00 ^{+0.22} / _{+0.00} | 20.00 ^{+0.000} / _{-0.052} | 25.00 | 5.00 | 21.79 |
| MDPC-102 | 102.00 ^{+0.22} / _{+0.00} | 16.00 ^{+0.000} / _{-0.043} | 25.00 | 5.00 | 23.34 |

| Part Number | J BORE DIAMETER | H HOLE SIZE | C LIP HEIGHT | th THICKNESS | List Price |
|-------------|--|---|--------------|--------------|------------|
| MDPC-110 | 110.00 ^{+0.22} / _{+0.00} | 18.00 ^{+0.000} / _{-0.043} | 25.00 | 7.50 | 34.11 |
| MDPC-125 | 125.00 ^{+0.25} / _{+0.00} | 20.00 ^{+0.000} / _{-0.052} | 30.00 | 10.00 | 40.34 |
| MDPC-150 | 150.00 ^{+0.25} / _{+0.00} | 20.00 ^{+0.000} / _{-0.052} | 30.00 | 12.00 | 61.85 |
| MDPC-160 | 160.00 ^{+0.25} / _{+0.00} | 27.00 ^{+0.000} / _{-0.052} | 31.00 | 12.00 | 68.77 |
| MDPC-180 | 180.00 ^{+0.25} / _{+0.00} | 27.00 ^{+0.000} / _{-0.052} | 31.00 | 12.00 | 89.70 |
| MDPC-200 | 200.00 ^{+0.29} / _{+0.00} | 20.00 ^{+0.000} / _{-0.052} | 35.00 | 12.00 | 105.65 |
| MDPC-200B | 200.00 ^{+0.29} / _{+0.00} | 27.00 ^{+0.000} / _{-0.052} | 35.00 | 15.00 | 105.43 |
| MDPC-250 | 250.00 ^{+0.29} / _{+0.00} | 30.00 ^{+0.000} / _{-0.052} | 35.00 | 16.50 | 130.61 |

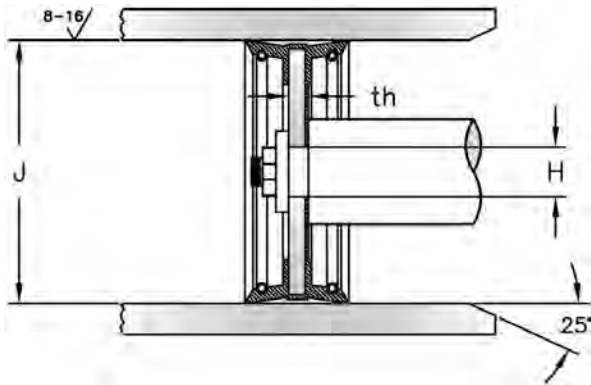
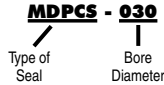
Seal color may vary. Special order sizes are available. Please call your regional sales team for assistance.

STYLE MDPCS PISTON SEALS

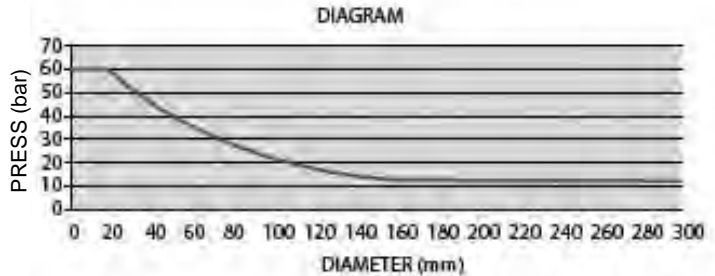
MDPCS is a double-acting complete piston seal constructed of a steel plate bonded to nitrile rubber sealing lips and spring energized for low-pressure sealing. Pneumatic applications to 230 psi pressure. Hydraulic pressure limits range from 175 to 870 psi, depending on size.



HERCULES PART NUMBERS



| SEAL INFORMATION | |
|-------------------|--------------------|
| MATERIAL | 90A NBR |
| TEMPERATURE RANGE | - 22° TO +220° F |
| PRESSURE RANGE | MAX 175 TO 870 PSI |
| SPEED | 3 FT/SEC |



| Part Number | J BORE DIAMETER | H HOLE SIZE | C LIP HEIGHT | th THICKNESS | List Price |
|-------------|---------------------|-----------------------|--------------|--------------|------------|
| MDPCS-030 | 30.00 +0.13 / +0.00 | 8.00 +0.000 / -0.036 | 22.00 | 3.50 | \$7.04 |
| MDPCS-032 | 32.00 +0.16 / +0.00 | 8.00 +0.000 / -0.036 | 25.00 | 3.50 | 7.28 |
| MDPCS-035 | 35.00 +0.16 / +0.00 | 8.00 +0.000 / -0.036 | 18.00 | 3.00 | 8.71 |
| MDPCS-038 | 38.00 +0.16 / +0.00 | 8.00 +0.000 / -0.036 | 25.00 | 3.50 | 8.92 |
| MDPCS-040A | 40.00 +0.16 / +0.00 | 10.00 +0.000 / -0.036 | 25.00 | 3.50 | 8.92 |
| MDPCS-045 | 45.00 +0.16 / +0.00 | 10.00 +0.000 / -0.036 | 25.00 | 4.50 | 9.59 |
| MDPCS-050A | 50.00 +0.16 / +0.00 | 16.00 +0.000 / -0.043 | 23.00 | 4.00 | 10.34 |
| MDPCS-050 | 50.00 +0.16 / +0.00 | 10.00 +0.000 / -0.036 | 25.00 | 4.50 | 10.31 |
| MDPCS-055 | 55.00 +0.19 / +0.00 | 10.00 +0.000 / -0.036 | 25.00 | 4.50 | 11.53 |
| MDPCS-060C | 60.00 +0.19 / +0.00 | 21.00 +0.000 / -0.052 | 26.00 | 4.00 | 12.67 |
| MDPCS-060A | 60.00 +0.19 / +0.00 | 12.00 +0.000 / -0.043 | 27.00 | 4.00 | 12.20 |
| MDPCS-063A | 63.00 +0.19 / +0.00 | 12.00 +0.000 / -0.043 | 25.00 | 4.50 | 14.21 |
| MDPCS-065 | 65.00 +0.19 / +0.00 | 12.00 +0.000 / -0.043 | 25.00 | 4.50 | 14.18 |
| MDPCS-070 | 70.00 +0.19 / +0.00 | 12.00 +0.000 / -0.043 | 30.00 | 5.90 | 16.66 |

| Part Number | J BORE DIAMETER | H HOLE SIZE | C LIP HEIGHT | th THICKNESS | List Price |
|-------------|----------------------|-----------------------|--------------|--------------|------------|
| MDPCS-075 | 75.00 +0.19 / +0.00 | 12.00 +0.000 / -0.043 | 30.00 | 5.90 | 17.96 |
| MDPCS-080 | 80.00 +0.19 / +0.00 | 12.00 +0.000 / -0.043 | 30.00 | 5.90 | 19.28 |
| MDPCS-085 | 85.00 +0.22 / +0.00 | 12.00 +0.000 / -0.043 | 35.00 | 7.10 | 20.64 |
| MDPCS-090 | 90.00 +0.22 / +0.00 | 12.00 +0.000 / -0.043 | 35.00 | 7.10 | 23.70 |
| MDPCS-100 | 100.00 +0.22 / +0.00 | 12.00 +0.000 / -0.043 | 35.00 | 7.10 | 25.36 |
| MDPCS-110 | 110.00 +0.22 / +0.00 | 12.00 +0.000 / -0.043 | 40.00 | 7.00 | 42.61 |
| MDPCS-120 | 120.00 +0.22 / +0.00 | 20.00 +0.000 / -0.052 | 8.00 | 9.00 | 49.14 |
| MDPCS-125 | 125.00 +0.25 / +0.00 | 20.00 +0.000 / -0.052 | 40.00 | 9.00 | 52.56 |
| MDPCS-125A | 125.00 +0.25 / +0.00 | 30.00 +0.000 / -0.052 | 40.00 | 8.00 | 54.95 |
| MDPCS-130 | 130.00 +0.25 / +0.00 | 20.00 +0.000 / -0.052 | 40.00 | 9.00 | 62.80 |
| MDPCS-145 | 145.00 +0.25 / +0.00 | 20.00 +0.000 / -0.052 | 45.00 | 11.00 | 72.72 |
| MDPCS-150 | 150.00 +0.25 / +0.00 | 20.00 +0.000 / -0.052 | 40.00 | 11.00 | 76.92 |
| MDPCS-160 | 160.00 +0.25 / +0.00 | 20.00 +0.000 / -0.052 | 40.00 | 11.00 | 85.57 |
| MDPCS-200 | 200.00 +0.29 / +0.00 | 20.00 +0.000 / -0.052 | 40.00 | 11.00 | 131.33 |

PISTON SEAL ASSEMBLIES

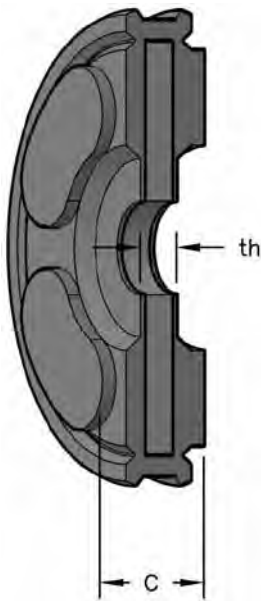
FORMERLY LISTED SEALS ARE AVAILABLE ONLINE AT WWW.HERCULESUS.COM
 OR BY CONTACTING YOUR REGIONAL HERCULES SALES TEAM.

STYLE MDPCS PISTON SEALS

| Part Number | J BORE DIAMETER | H HOLE SIZE | C LIP HEIGHT | th THICKNESS | List Price |
|-------------|--------------------------|---------------------------|--------------------|-----------------|---------------|
| MDPCS-230 | 230.00 +0.29 +0.00 | 30.00 +0.000 -0.052 | 40.00 | 13.00 | 162.95 |
| MDPCS-250 | 250.00 +0.29 +0.00 | 30.00 +0.000 -0.052 | 40.00 | 13.00 | 182.94 |

STYLE MDPC-57 PISTON SEALS

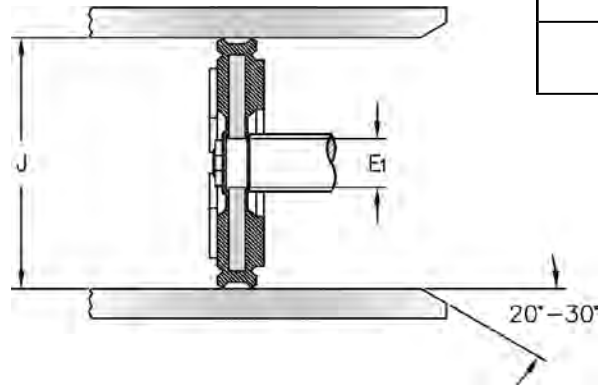
This double-acting piston seal consists of an aluminum plate bonded to elastomeric NBR.



HERCULES PART NUMBERS

MDPC-57 - 010

Type of Seal Bore Diameter



SEAL INFORMATION

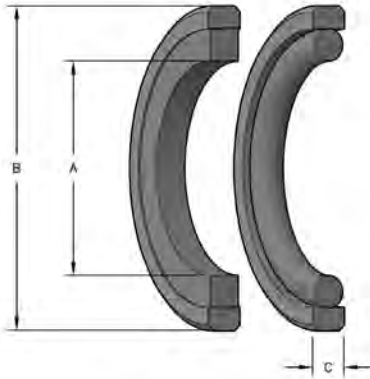
| | |
|-------------------|---------------|
| MATERIAL | 70A NBR |
| TEMPERATURE RANGE | -22 - +220° F |
| PRESSURE RANGE | 0 TO 175 PSI |
| SPEED | 3 FT/SEC |

| Part Number | J BORE DIAMETER | E ₁ STUB DIAMETER | C LIP HEIGHT | th THICKNESS | List Price |
|-------------|--------------------------|------------------------------------|--------------------|-----------------|---------------|
| MDPC-57-012 | 12.00 +0.11 +0.00 | 4.50 +0.000 -0.048 | 6.00 | 2.30 | \$8.77 |
| MDPC-57-016 | 16.00 +0.11 +0.00 | 4.50 +0.000 -0.048 | 6.50 | 2.30 | 8.77 |
| MDPC-57-025 | 25.00 +0.13 +0.00 | 7.00 +0.000 -0.058 | 8.80 | 3.50 | 8.77 |
| MDPC-57-032 | 32.00 +0.16 +0.00 | 8.00 +0.000 -0.058 | 11.00 | 3.50 | 10.76 |
| MDPC-57-040 | 40.00 +0.16 +0.00 | 8.00 +0.000 -0.058 | 11.80 | 4.50 | 13.19 |
| MDPC-57-050 | 50.00 +0.16 +0.00 | 10.00 +0.000 -0.058 | 14.00 | 4.50 | 15.37 |
| MDPC-57-063 | 63.00 +0.19 +0.00 | 12.00 +0.00 -0.07 | 14.00 | 4.50 | 19.79 |
| MDPC-57-080 | 80.00 +0.19 +0.00 | 16.00 +0.00 -0.07 | 16.00 | 5.50 | 28.92 |
| MDPC-57-100 | 100.00 +0.22 +0.00 | 20.00 +0.000 -0.084 | 18.00 | 6.50 | 38.02 |

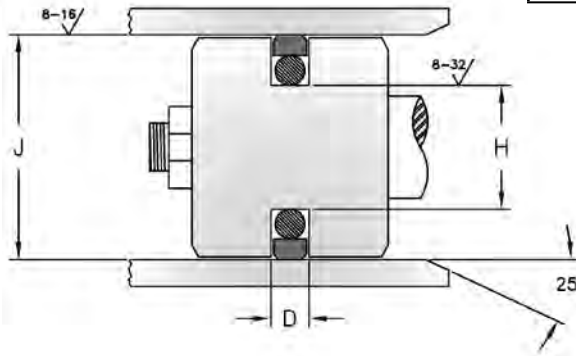
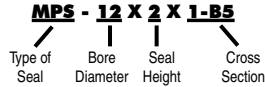
Seal color may vary. Special order sizes are available. Please call your regional sales team for assistance.

STYLE MPS TWO PIECE PISTON SEALS

Molded from filled PTFE and machined to close tolerances, these seals feature low friction and excellent wear characteristics. Nitrile o-rings are used for energizers.



HERCULES PART NUMBERS



| SEAL INFORMATION | |
|-------------------|--|
| MATERIAL | PTFE PISTON SEAL 70A NITRILE ENERGIZER |
| TEMPERATURE RANGE | -40° TO +230° F |
| PRESSURE RANGE | 0 TO 5,000 psi |
| SPEED | 12 FT/SEC |

PISTON SEAL ASSEMBLIES

| Part Number | A Nom. ID | B Nom. OD | C Nom. Ht | D GROOVE WIDTH | H GROOVE DIAMETER | J BORE DIAMETER | List Price |
|-----------------|--------------|--------------|--------------|------------------------|---------------------------|---------------------------|------------|
| MPS-12X2X1-B5 | 7.1 | 12 | 2 | 2.20 +0.20 +0.00 | 7.10 +0.000 -0.036 | 12.00 +0.043 +0.000 | \$9.60 |
| MPS-15X3X2-B5 | 7.5 | 15 | 3 | 3.20 +0.20 +0.00 | 7.50 +0.000 -0.036 | 15.00 +0.043 +0.000 | 11.17 |
| MPS-16X2X1-B5 | 11.1 | 16 | 2 | 2.20 +0.20 +0.00 | 11.10 +0.000 -0.043 | 16.00 +0.043 +0.000 | 12.69 |
| MPS-20X3X2-B5 | 12.5 | 20 | 3 | 3.20 +0.20 +0.00 | 12.50 +0.000 -0.043 | 20.00 +0.052 +0.000 | 12.69 |
| MPS-22X3X2-B5 | 14.5 | 22 | 3 | 3.20 +0.20 +0.00 | 14.50 +0.000 -0.043 | 22.00 +0.052 +0.000 | 12.69 |
| MPS-25X3X2-B5 | 17.5 | 25 | 3 | 3.20 +0.20 +0.00 | 17.50 +0.000 -0.043 | 25.00 +0.052 +0.000 | 12.69 |
| MPS-28X3X2-B5 | 20.5 | 28 | 3 | 3.20 +0.20 +0.00 | 20.50 +0.000 -0.052 | 28.00 +0.052 +0.000 | 14.71 |
| MPS-30X3X2-B5 | 22.5 | 30 | 3 | 3.20 +0.20 +0.00 | 22.50 +0.000 -0.052 | 30.00 +0.052 +0.000 | 14.71 |
| MPS-30X2X1-B5 | 25.1 | 30 | 2 | 2.20 +0.20 +0.00 | 25.10 +0.000 -0.052 | 30.00 +0.052 +0.000 | 16.25 |
| MPS-32X3X2 | 24.5 | 32 | 3 | 3.20 +0.20 +0.00 | 24.50 +0.000 -0.052 | 32.00 +0.062 +0.000 | 14.71 |
| MPS-32X2X1-B5 | 27.1 | 32 | 2 | 2.20 +0.20 +0.00 | 27.10 +0.000 -0.052 | 32.00 +0.062 +0.000 | 20.43 |
| MPS-35X25.5X4.5 | 25.5 | 35 | 4.3 | 4.50 +0.20 +0.00 | 25.50 +0.000 -0.052 | 35.00 +0.062 +0.000 | 4.11 |
| MPS-35X3X2-B5 | 27.5 | 35 | 3 | 3.20 +0.20 +0.00 | 27.50 +0.000 -0.052 | 35.00 +0.062 +0.000 | 14.71 |
| MPS-36X3X2-B5 | 28.5 | 36 | 3 | 3.20 +0.20 +0.00 | 28.50 +0.000 -0.052 | 36.00 +0.062 +0.000 | 17.83 |
| MPS-40X6X3.5-B5 | 24.5 | 40 | 6 | 6.30 +0.20 +0.00 | 24.50 +0.000 -0.052 | 40.00 +0.062 +0.000 | 17.83 |
| MPS-40X4X2.9-B5 | 29 | 40 | 4 | 4.20 +0.20 +0.00 | 29.00 +0.000 -0.052 | 40.00 +0.062 +0.000 | 17.83 |

FORMERLY LISTED SEALS ARE AVAILABLE ONLINE AT WWW.HERCULESUS.COM
OR BY CONTACTING YOUR REGIONAL HERCULES SALES TEAM.



STYLE MPS TWO PIECE PISTON SEALS

PISTON SEAL ASSEMBLIES

| Part Number | A Nom. ID | B Nom. OD | C Nom. Ht | D GROOVE WIDTH | H GROOVE DIAMETER | J BORE DIAMETER | List Price |
|-----------------|--------------|--------------|--------------|--|---|---|---------------|
| MPS-40X3X2-B5 | 32.5 | 40 | 3 | 3.20 ^{+0.20} _{+0.00} | 32.50 ^{+0.000} _{-0.062} | 40.00 ^{+0.062} _{+0.000} | 17.83 |
| MPS-42X4X2.9-B5 | 31 | 42 | 4 | 4.20 ^{+0.20} _{+0.00} | 31.00 ^{+0.000} _{-0.062} | 42.00 ^{+0.062} _{+0.000} | 21.66 |
| MPS-45X4X2.9-B5 | 34 | 45 | 4 | 4.20 ^{+0.20} _{+0.00} | 34.00 ^{+0.000} _{-0.062} | 45.00 ^{+0.062} _{+0.000} | 17.83 |
| MPS-45X4.3X2 | 35 | 45 | 4.3 | 4.50 ^{+0.20} _{+0.00} | 35.00 ^{+0.000} _{-0.062} | 45.00 ^{+0.062} _{+0.000} | 17.81 |
| MPS-45X3.8X1.5 | 36.4 | 45 | 3.8 | 4.20 ^{+0.20} _{+0.00} | 36.40 ^{+0.000} _{-0.062} | 45.00 ^{+0.062} _{+0.000} | 14.72 |
| MPS-45X4.4X1.2 | 37.1 | 45 | 4.4 | 4.60 ^{+0.20} _{+0.00} | 37.10 ^{+0.000} _{-0.062} | 45.00 ^{+0.062} _{+0.000} | 16.87 |
| MPS-48X4X2.9-B5 | 37 | 48 | 4 | 4.20 ^{+0.20} _{+0.00} | 37.00 ^{+0.000} _{-0.062} | 48.00 ^{+0.062} _{+0.000} | 28.19 |
| MPS-50X6X3.5 | 34.5 | 50 | 6 | 6.30 ^{+0.20} _{+0.00} | 34.50 ^{+0.000} _{-0.062} | 50.00 ^{+0.062} _{+0.000} | 30.76 |
| MPS-50X4X2.9-B5 | 39 | 50 | 4 | 4.20 ^{+0.20} _{+0.00} | 39.00 ^{+0.000} _{-0.062} | 50.00 ^{+0.062} _{+0.000} | 17.83 |
| MPS-50X4X2.5 | 40 | 50 | 4 | 4.20 ^{+0.20} _{+0.00} | 40.00 ^{+0.000} _{-0.062} | 50.00 ^{+0.062} _{+0.000} | 17.00 |
| MPS-50X4.3X2 | 40 | 50 | 4.3 | 4.50 ^{+0.20} _{+0.00} | 40.00 ^{+0.000} _{-0.062} | 50.00 ^{+0.062} _{+0.000} | 28.47 |
| MPS-50X2.7X2.5 | 41.3 | 50 | 2.7 | 2.90 ^{+0.20} _{+0.00} | 41.30 ^{+0.000} _{-0.062} | 50.00 ^{+0.062} _{+0.000} | 16.09 |
| MPS-50X3.8X1.5 | 41.5 | 50 | 3.8 | 4.20 ^{+0.20} _{+0.00} | 41.50 ^{+0.000} _{-0.062} | 50.00 ^{+0.062} _{+0.000} | 20.46 |
| MPS-50X4.4X1.2 | 42.1 | 50 | 4.4 | 4.60 ^{+0.20} _{+0.00} | 42.10 ^{+0.000} _{-0.062} | 50.00 ^{+0.062} _{+0.000} | 22.63 |
| MPS-50X3X2-B5 | 42.2 | 50 | 3 | 3.20 ^{+0.20} _{+0.00} | 42.20 ^{+0.000} _{-0.062} | 50.00 ^{+0.062} _{+0.000} | 28.19 |
| MPS-52X4X2.9-B5 | 41 | 52 | 4 | 4.20 ^{+0.20} _{+0.00} | 41.00 ^{+0.000} _{-0.062} | 52.00 ^{+0.074} _{+0.000} | 26.32 |
| MPS-53X4X2.5 | 42.5 | 53 | 4 | 4.20 ^{+0.20} _{+0.00} | 42.50 ^{+0.000} _{-0.062} | 53.00 ^{+0.074} _{+0.000} | 20.40 |
| MPS-55X6X3.5 | 39.5 | 55 | 6 | 6.30 ^{+0.20} _{+0.00} | 39.50 ^{+0.000} _{-0.062} | 55.00 ^{+0.074} _{+0.000} | 33.54 |
| MPS-55X4X2.9-B5 | 44 | 55 | 4 | 4.20 ^{+0.20} _{+0.00} | 44.00 ^{+0.000} _{-0.062} | 55.00 ^{+0.074} _{+0.000} | 30.50 |
| MPS-55X4.3X2 | 45 | 55 | 4.3 | 4.50 ^{+0.20} _{+0.00} | 45.00 ^{+0.000} _{-0.062} | 55.00 ^{+0.074} _{+0.000} | 28.47 |
| MPS-56X4X2.9-B5 | 45.5 | 56 | 4 | 4.20 ^{+0.20} _{+0.00} | 45.50 ^{+0.000} _{-0.062} | 56.00 ^{+0.074} _{+0.000} | 32.53 |
| MPS-60X6X3.5 | 44.5 | 60 | 6 | 6.30 ^{+0.20} _{+0.00} | 44.50 ^{+0.000} _{-0.062} | 60.00 ^{+0.074} _{+0.000} | 33.64 |
| MPS-60X7X2.5 | 45.8 | 60 | 7 | 7.20 ^{+0.20} _{+0.00} | 45.80 ^{+0.000} _{-0.062} | 60.00 ^{+0.074} _{+0.000} | 8.46 |
| MPS-60X4X2.9-B5 | 49 | 60 | 3.9 | 4.20 ^{+0.20} _{+0.00} | 49.00 ^{+0.000} _{-0.062} | 60.00 ^{+0.074} _{+0.000} | 17.83 |
| MPS-60X4.9X2.5 | 49.5 | 60 | 4.9 | 5.10 ^{+0.20} _{+0.00} | 49.50 ^{+0.000} _{-0.062} | 60.00 ^{+0.074} _{+0.000} | 24.31 |
| MPS-60X3.8X2 | 51.1 | 60 | 3.8 | 4.20 ^{+0.20} _{+0.00} | 51.10 ^{+0.000} _{-0.074} | 60.00 ^{+0.074} _{+0.000} | 20.01 |
| MPS-60X3.7X1.5 | 52.1 | 60 | 3.7 | 4.00 ^{+0.20} _{+0.00} | 52.10 ^{+0.000} _{-0.074} | 60.00 ^{+0.074} _{+0.000} | 12.44 |
| MPS-60X4.4X1.3 | 52.5 | 60 | 4.4 | 4.60 ^{+0.20} _{+0.00} | 52.50 ^{+0.000} _{-0.074} | 60.00 ^{+0.074} _{+0.000} | 27.87 |
| MPS-63X6X3.5 | 47.5 | 63 | 6 | 6.30 ^{+0.20} _{+0.00} | 47.50 ^{+0.000} _{-0.062} | 63.00 ^{+0.074} _{+0.000} | 33.64 |
| MPS-63X47.5X6.3 | 47.5 | 63 | 6.3 | 6.50 ^{+0.20} _{+0.00} | 47.50 ^{+0.000} _{-0.062} | 63.00 ^{+0.074} _{+0.000} | 17.15 |
| MPS-63X7.3X2.5 | 48 | 63 | 7.3 | 7.50 ^{+0.20} _{+0.00} | 48.00 ^{+0.000} _{-0.062} | 63.00 ^{+0.074} _{+0.000} | 33.97 |
| MPS-63X5X1 | 51.8 | 63 | 5 | 5.20 ^{+0.20} _{+0.00} | 51.80 ^{+0.000} _{-0.074} | 63.00 ^{+0.074} _{+0.000} | 40.27 |
| MPS-63X4X2.9-B5 | 52 | 63 | 4 | 4.20 ^{+0.20} _{+0.00} | 52.00 ^{+0.000} _{-0.074} | 63.00 ^{+0.074} _{+0.000} | 17.83 |



STYLE MPS TWO PIECE PISTON SEALS

PISTON SEAL ASSEMBLIES

| Part Number | A Nom. ID | B Nom. OD | C Nom. Ht | D GROOVE WIDTH | H GROOVE DIAMETER | J BORE DIAMETER | List Price |
|--------------------|--------------|--------------|--------------|------------------------|---------------------------|----------------------------|---------------|
| MPS-63X53X5 | 53 | 63 | 5 | 5.20 +0.20 +0.00 | 53.00 +0.000 -0.074 | 63.00 +0.074 +0.000 | 11.24 |
| MPS-65X6X3.5 | 49.5 | 65 | 6 | 6.30 +0.20 +0.00 | 49.50 +0.000 -0.062 | 65.00 +0.074 +0.000 | 34.32 |
| MPS-65X7.3X2.5 | 50 | 65 | 7.3 | 7.50 +0.20 +0.00 | 50.00 +0.000 -0.062 | 65.00 +0.074 +0.000 | 21.35 |
| MPS-65X4X2.9-B5 | 54 | 65 | 4 | 4.20 +0.20 +0.00 | 54.00 +0.000 -0.074 | 65.00 +0.074 +0.000 | 46.45 |
| MPS-70X6X3.5 | 54.5 | 70 | 6 | 6.30 +0.20 +0.00 | 54.50 +0.000 -0.074 | 70.00 +0.074 +0.000 | 35.86 |
| MPS-70X6.2X2.5 | 55.9 | 70 | 6.2 | 6.50 +0.20 +0.00 | 55.90 +0.000 -0.074 | 70.00 +0.074 +0.000 | 23.82 |
| MPS-70X7X2.5 | 56.4 | 70 | 7 | 7.20 +0.20 +0.00 | 56.40 +0.000 -0.074 | 70.00 +0.074 +0.000 | 9.51 |
| MPS-70X4X2.9 | 59 | 70 | 4 | 4.20 +0.20 +0.00 | 59.00 +0.000 -0.074 | 70.00 +0.074 +0.000 | 18.57 |
| MPS-70X4X2.5 | 60 | 70 | 4 | 4.20 +0.20 +0.00 | 60.00 +0.000 -0.074 | 70.00 +0.074 +0.000 | 34.10 |
| MPS-70X4X1.8 | 61.7 | 70 | 4 | 4.20 +0.20 +0.00 | 61.70 +0.000 -0.074 | 70.00 +0.074 +0.000 | 21.68 |
| MPS-71X7.3X2.5 | 56 | 71 | 7.3 | 7.50 +0.20 +0.00 | 56.00 +0.000 -0.074 | 71.00 +0.074 +0.000 | 27.45 |
| MPS-75X6X3.5 | 59 | 75 | 6 | 6.30 +0.20 +0.00 | 59.50 +0.000 -0.074 | 75.00 +0.074 +0.000 | 35.35 |
| MPS-75X7.3X2.5 | 60 | 75 | 7.3 | 7.50 +0.20 +0.00 | 60.00 +0.000 -0.074 | 75.00 +0.074 +0.000 | 22.92 |
| MPS-75X6.2X2.5 | 60.9 | 75 | 6.2 | 6.50 +0.20 +0.00 | 60.90 +0.000 -0.074 | 75.00 +0.074 +0.000 | 30.88 |
| MPS-75X4X2.9-B5 | 64 | 75 | 4 | 4.20 +0.20 +0.00 | 64.00 +0.000 -0.074 | 75.00 +0.074 +0.000 | 19.35 |
| MPS-80X7.9X5 | 59 | 80 | 7.9 | 8.10 +0.20 +0.00 | 59.00 +0.000 -0.074 | 80.00 +0.074 +0.000 | 43.27 |
| MPS-80X6X3.5 | 64.5 | 80 | 6 | 6.30 +0.20 +0.00 | 64.50 +0.000 -0.074 | 80.00 +0.074 +0.000 | 36.54 |
| MPS-80X7X2.5 | 65.8 | 80 | 7 | 7.20 +0.20 +0.00 | 65.80 +0.000 -0.074 | 80.00 +0.074 +0.000 | 11.40 |
| MPS-80X6.2X2.5 | 65.9 | 80 | 6.2 | 6.50 +0.20 +0.00 | 65.90 +0.000 -0.074 | 80.00 +0.074 +0.000 | 35.27 |
| MPS-80X7.3X2.5 | 66 | 80 | 7.3 | 7.50 +0.20 +0.00 | 66.00 +0.000 -0.074 | 80.00 +0.074 +0.000 | 39.51 |
| MPS-80X4X2.9-B5 | 69 | 80 | 4 | 4.20 +0.20 +0.00 | 69.00 +0.000 -0.074 | 80.00 +0.074 +0.000 | 30.17 |
| MPS-85X7.9X5 | 64 | 85 | 7.9 | 8.10 +0.20 +0.00 | 64.00 +0.000 -0.074 | 85.00 +0.087 +0.000 | 44.21 |
| MPS-85X6X3.5 | 69.5 | 85 | 6 | 6.30 +0.20 +0.00 | 69.50 +0.000 -0.074 | 85.00 +0.087 +0.000 | 37.58 |
| MPS-85X70X7.3 | 70 | 85 | 7.3 | 7.60 +0.20 +0.00 | 70.00 +0.000 -0.074 | 85.00 +0.087 +0.000 | 32.66 |
| MPS-90X7.9X5 | 69 | 90 | 7.9 | 8.10 +0.20 +0.00 | 69.00 +0.000 -0.074 | 90.00 +0.087 +0.000 | 49.03 |
| MPS-90X6X3.5 | 74.5 | 90 | 6 | 6.30 +0.20 +0.00 | 74.50 +0.000 -0.074 | 90.00 +0.087 +0.000 | 39.69 |
| MPS-90X7.3X2.5 | 75 | 90 | 7.3 | 7.50 +0.20 +0.00 | 75.00 +0.000 -0.074 | 90.00 +0.087 +0.000 | 46.14 |
| MPS-90X7X2.5 | 75.8 | 90 | 7 | 7.20 +0.20 +0.00 | 75.80 +0.000 -0.074 | 90.00 +0.087 +0.000 | 11.91 |
| MPS-95X7.9X5 | 74 | 95 | 7.9 | 8.10 +0.20 +0.00 | 74.00 +0.000 -0.074 | 95.00 +0.087 +0.000 | 51.15 |
| MPS-95X6X3.5 | 79.5 | 95 | 6 | 6.30 +0.20 +0.00 | 79.50 +0.000 -0.074 | 95.00 +0.087 +0.000 | 44.21 |
| MPS-100X7.9X5 | 79 | 100 | 7.9 | 8.10 +0.20 +0.00 | 79.00 +0.000 -0.074 | 100.00 +0.087 +0.000 | 50.70 |
| MPS-100X6X3.5 | 84.5 | 100 | 6 | 6.30 +0.20 +0.00 | 84.50 +0.000 -0.087 | 100.00 +0.087 +0.000 | 37.06 |
| MPS-100X6.2X2.4-B4 | 84.8 | 100 | 6.2 | 6.40 +0.20 +0.00 | 84.80 +0.000 -0.087 | 100.00 +0.087 +0.000 | 43.52 |

FORMERLY LISTED SEALS ARE AVAILABLE ONLINE AT WWW.HERCULESUS.COM
OR BY CONTACTING YOUR REGIONAL HERCULES SALES TEAM.



STYLE MPS TWO PIECE PISTON SEALS

PISTON SEAL ASSEMBLIES

| Part Number | A Nom. ID | B Nom. OD | C Nom. Ht | D GROOVE WIDTH | H GROOVE DIAMETER | J BORE DIAMETER | List Price |
|-------------------|--------------|--------------|--------------|--|--|--|---------------|
| MPS-100X85X7.5 | 85 | 100 | 7.3 | 7.50 ^{+0.20} _{+0.00} | 85.00 ^{+0.000} _{-0.087} | 100.00 ^{+0.087} _{+0.000} | 29.05 |
| MPS-100X7X2.5 | 86.6 | 100 | 7 | 7.20 ^{+0.20} _{+0.00} | 86.60 ^{+0.000} _{-0.087} | 100.00 ^{+0.087} _{+0.000} | 20.18 |
| MPS-105X7.9X5 | 84 | 105 | 7.9 | 8.10 ^{+0.20} _{+0.00} | 84.00 ^{+0.000} _{-0.087} | 105.00 ^{+0.087} _{+0.000} | 49.86 |
| MPS-105X6X3.5 | 89.5 | 105 | 6 | 6.30 ^{+0.20} _{+0.00} | 89.50 ^{+0.000} _{-0.087} | 105.00 ^{+0.087} _{+0.000} | 41.10 |
| MPS-105X7.29X3.23 | 89.8 | 105 | 7.29 | 7.60 ^{+0.20} _{+0.00} | 89.80 ^{+0.000} _{-0.087} | 105.00 ^{+0.087} _{+0.000} | 59.73 |
| MPS-110X7.9X5 | 89 | 110 | 7.9 | 8.10 ^{+0.20} _{+0.00} | 89.00 ^{+0.000} _{-0.087} | 110.00 ^{+0.087} _{+0.000} | 54.44 |
| MPS-110X6X3.5 | 94.5 | 110 | 6 | 6.30 ^{+0.20} _{+0.00} | 94.50 ^{+0.000} _{-0.087} | 110.00 ^{+0.087} _{+0.000} | 41.33 |
| MPS-110X7X2.5 | 95.8 | 110 | 7 | 7.20 ^{+0.20} _{+0.00} | 95.80 ^{+0.000} _{-0.087} | 110.00 ^{+0.087} _{+0.000} | 14.15 |
| MPS-115X7.9X5 | 94 | 115 | 7.9 | 8.10 ^{+0.20} _{+0.00} | 94.00 ^{+0.000} _{-0.087} | 115.00 ^{+0.087} _{+0.000} | 55.74 |
| MPS-115X6X3.5 | 99.5 | 115 | 6 | 6.30 ^{+0.20} _{+0.00} | 99.50 ^{+0.000} _{-0.087} | 115.00 ^{+0.087} _{+0.000} | 43.77 |
| MPS-115X7X2.5 | 100.8 | 115 | 7 | 7.20 ^{+0.20} _{+0.00} | 100.80 ^{+0.000} _{-0.087} | 115.00 ^{+0.087} _{+0.000} | 26.93 |
| MPS-120X7.9X5 | 99 | 120 | 7.9 | 8.10 ^{+0.20} _{+0.00} | 99.00 ^{+0.000} _{-0.087} | 120.00 ^{+0.087} _{+0.000} | 55.74 |
| MPS-120X6X3.5 | 104.5 | 120 | 6 | 6.30 ^{+0.20} _{+0.00} | 104.50 ^{+0.000} _{-0.087} | 120.00 ^{+0.087} _{+0.000} | 44.72 |
| MPS-125X7.9X5 | 104 | 125 | 7.9 | 8.10 ^{+0.20} _{+0.00} | 104.00 ^{+0.000} _{-0.087} | 125.00 ^{+0.10} _{+0.00} | 55.74 |
| MPS-125X6X3.5 | 109.5 | 125 | 6 | 6.30 ^{+0.20} _{+0.00} | 109.50 ^{+0.000} _{-0.087} | 125.00 ^{+0.10} _{+0.00} | 46.14 |
| MPS-125X7X2.5 | 110.8 | 125 | 7 | 7.20 ^{+0.20} _{+0.00} | 110.80 ^{+0.000} _{-0.087} | 125.00 ^{+0.10} _{+0.00} | 30.40 |
| MPS-130X7.9X5 | 109 | 130 | 7.9 | 8.10 ^{+0.20} _{+0.00} | 109.00 ^{+0.000} _{-0.087} | 130.00 ^{+0.10} _{+0.00} | 57.68 |
| MPS-130X6X3.5 | 114.5 | 130 | 6 | 6.30 ^{+0.20} _{+0.00} | 114.50 ^{+0.000} _{-0.087} | 130.00 ^{+0.10} _{+0.00} | 49.33 |
| MPS-135X7.9X5 | 114 | 135 | 7.9 | 8.10 ^{+0.20} _{+0.00} | 114.00 ^{+0.000} _{-0.087} | 135.00 ^{+0.10} _{+0.00} | 65.14 |
| MPS-140X7.9X5 | 119 | 140 | 7.9 | 8.10 ^{+0.20} _{+0.00} | 119.00 ^{+0.000} _{-0.087} | 140.00 ^{+0.10} _{+0.00} | 65.86 |
| MPS-145X7.9X5 | 124 | 145 | 7.9 | 8.10 ^{+0.20} _{+0.00} | 124.00 ^{+0.00} _{-0.10} | 145.00 ^{+0.10} _{+0.00} | 67.63 |
| MPS-150X7.9X5 | 129 | 150 | 7.9 | 8.10 ^{+0.20} _{+0.00} | 129.00 ^{+0.00} _{-0.10} | 150.00 ^{+0.10} _{+0.00} | 70.80 |
| MPS-155X7.9X5 | 134 | 155 | 7.9 | 8.10 ^{+0.20} _{+0.00} | 134.00 ^{+0.00} _{-0.10} | 155.00 ^{+0.10} _{+0.00} | 72.43 |
| MPS-160X7.9X5 | 139 | 160 | 7.9 | 8.10 ^{+0.20} _{+0.00} | 139.00 ^{+0.00} _{-0.10} | 160.00 ^{+0.10} _{+0.00} | 77.30 |
| MPS-160X8.9X3.5 | 140.5 | 160 | 8.9 | 9.10 ^{+0.20} _{+0.00} | 140.50 ^{+0.00} _{-0.10} | 160.00 ^{+0.10} _{+0.00} | 77.30 |
| MPS-160X145X7.55 | 145 | 160 | 7.3 | 7.50 ^{+0.20} _{+0.00} | 145.00 ^{+0.00} _{-0.10} | 160.00 ^{+0.10} _{+0.00} | 44.67 |
| MPS-165X7.9X5 | 144 | 165 | 7.9 | 8.10 ^{+0.20} _{+0.00} | 144.00 ^{+0.00} _{-0.10} | 165.00 ^{+0.10} _{+0.00} | 85.43 |
| MPS-170X7.9X5 | 149 | 170 | 7.9 | 8.10 ^{+0.20} _{+0.00} | 149.00 ^{+0.00} _{-0.10} | 170.00 ^{+0.10} _{+0.00} | 87.84 |
| MPS-180X7.9X5 | 159 | 180 | 7.9 | 8.10 ^{+0.20} _{+0.00} | 159.00 ^{+0.00} _{-0.10} | 180.00 ^{+0.10} _{+0.00} | 95.98 |
| MPS-190X7.9X5 | 169 | 190 | 7.9 | 8.10 ^{+0.20} _{+0.00} | 169.00 ^{+0.00} _{-0.10} | 190.00 ^{+0.115} _{+0.000} | 99.95 |
| MPS-200X7.9X5 | 179 | 200 | 7.9 | 8.10 ^{+0.20} _{+0.00} | 179.00 ^{+0.00} _{-0.10} | 200.00 ^{+0.115} _{+0.000} | 102.96 |
| MPS-215X7.9X5 | 194 | 215 | 7.9 | 8.10 ^{+0.20} _{+0.00} | 194.00 ^{+0.000} _{-0.115} | 215.00 ^{+0.115} _{+0.000} | 104.79 |
| MPS-220X7.9X5-B5 | 199 | 220 | 7.9 | 8.10 ^{+0.20} _{+0.00} | 199.00 ^{+0.000} _{-0.115} | 220.00 ^{+0.115} _{+0.000} | 371.65 |



STYLE MPS TWO PIECE PISTON SEALS

| Part Number | A Nom. ID | B Nom. OD | C Nom. Ht | D GROOVE WIDTH | H GROOVE DIAMETER | J BORE DIAMETER | List Price |
|------------------|--------------|--------------|--------------|--|--|--|---------------|
| MPS-225X7.9X5 | 204 | 225 | 7.9 | 8.10 ^{+0.20} / _{+0.00} | 204.00 ^{+0.000} / _{-0.115} | 225.00 ^{+0.115} / _{+0.000} | 115.02 |
| MPS-230X7.9X5-B5 | 209 | 230 | 7.9 | 8.10 ^{+0.20} / _{+0.00} | 209.00 ^{+0.000} / _{-0.115} | 230.00 ^{+0.115} / _{+0.000} | 363.49 |
| MPS-240X7.9X5 | 219 | 240 | 7.9 | 8.10 ^{+0.20} / _{+0.00} | 219.00 ^{+0.000} / _{-0.115} | 240.00 ^{+0.115} / _{+0.000} | 117.26 |
| MPS-250X7.9X5 | 229 | 250 | 7.9 | 8.10 ^{+0.20} / _{+0.00} | 229.00 ^{+0.000} / _{-0.115} | 250.00 ^{+0.115} / _{+0.000} | 363.12 |
| MPS-320X299X8.1 | 299 | 320 | 7.9 | 8.10 ^{+0.20} / _{+0.00} | 299.00 ^{+0.00} / _{-0.13} | 320.00 ^{+0.14} / _{+0.00} | 275.40 |

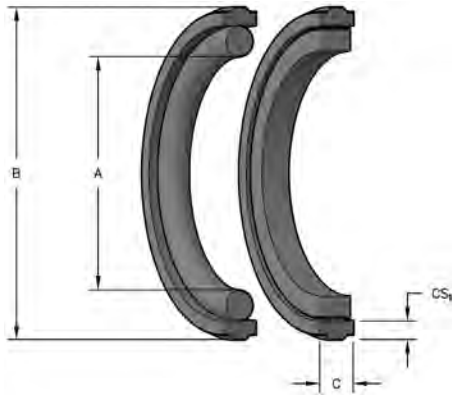
PISTON SEAL ASSEMBLIES

Seal color may vary. Special order sizes are available. Sizes not shown and out of stock items can also be ordered for next day delivery through Seals On Demand, our custom seal program. Please call your regional sales team for assistance.

FORMERLY LISTED SEALS ARE AVAILABLE ONLINE AT WWW.HERCULESUS.COM
OR BY CONTACTING YOUR REGIONAL HERCULES SALES TEAM.

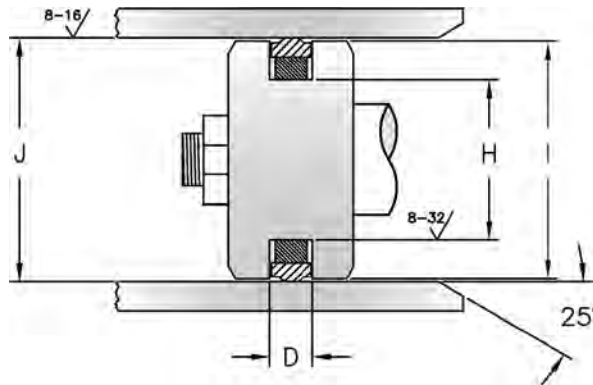
STYLE MPSU TWO PIECE PISTON SEALS

Molded from tough, wear resistant polyester with additives of 5% glass fiber and 5% PTFE, these seals are totally interchangeable with style MPS seals of the same dimensions. Nitrile o-rings are used as energizers.



HERCULES PART NUMBERS

MPSU - 12 X 3 X 2
 Type of Seal Bore Diameter Seal Height Cross Section



SEAL INFORMATION

| | |
|-------------------|--|
| MATERIAL | GLASS/PTFE FILLED POLYESTER SEAL, RUBBER ENERGIZER |
| TEMPERATURE RANGE | -40 TO +230° F |
| PRESSURE RANGE | 0 TO 5,000 PSI |
| SPEED | 3 FT/SEC |

| Part Number | A Nom. ID | B Nom. OD | C Nom. Ht | D GROOVE WIDTH | H GROOVE DIAMETER | J BORE DIAMETER | List Price |
|---------------|--------------|--------------|--------------|------------------------|---------------------------|---------------------------|---------------|
| MPSU-25X3X2 | 17.5 | 25 | 3 | 3.20 +0.20 +0.00 | 17.50 +0.000 -0.043 | 25.00 +0.052 +0.000 | \$6.56 |
| MPSU-30X3X2 | 22.5 | 30 | 3 | 3.20 +0.20 +0.00 | 22.50 +0.000 -0.052 | 30.00 +0.052 +0.000 | 7.29 |
| MPSU-40X4X2.9 | 29 | 40 | 4 | 4.20 +0.20 +0.00 | 29.00 +0.000 -0.052 | 40.00 +0.062 +0.000 | 8.14 |
| MPSU-45X4X2.9 | 34 | 45 | 4 | 4.20 +0.20 +0.00 | 34.00 +0.000 -0.062 | 45.00 +0.062 +0.000 | 8.33 |
| MPSU-50X6X3.5 | 34.5 | 50 | 6 | 6.30 +0.20 +0.00 | 34.50 +0.000 -0.062 | 50.00 +0.062 +0.000 | 9.58 |
| MPSU-50X4X2.9 | 39 | 50 | 4 | 4.20 +0.20 +0.00 | 39.00 +0.000 -0.062 | 50.00 +0.062 +0.000 | 8.71 |
| MPSU-60X6X3.5 | 44.5 | 60 | 6 | 6.30 +0.20 +0.00 | 44.50 +0.000 -0.062 | 60.00 +0.074 +0.000 | 11.17 |
| MPSU-60X4X2.9 | 49 | 60 | 4 | 4.20 +0.20 +0.00 | 49.00 +0.000 -0.062 | 60.00 +0.074 +0.000 | 9.31 |
| MPSU-63X6X3.5 | 47.5 | 63 | 6 | 6.30 +0.20 +0.00 | 47.50 +0.000 -0.062 | 63.00 +0.074 +0.000 | 18.21 |
| MPSU-63X4X2.9 | 52 | 63 | 4 | 4.20 +0.20 +0.00 | 52.00 +0.000 -0.074 | 63.00 +0.074 +0.000 | 9.51 |
| MPSU-65X6X3.5 | 49.5 | 65 | 6 | 6.30 +0.20 +0.00 | 49.50 +0.000 -0.062 | 65.00 +0.074 +0.000 | 13.69 |
| MPSU-65X6X2.5 | 52 | 65 | 6 | 6.30 +0.20 +0.00 | 52.00 +0.000 -0.074 | 65.00 +0.074 +0.000 | 13.19 |
| MPSU-65X4X2.9 | 54 | 65 | 4 | 4.20 +0.20 +0.00 | 54.00 +0.000 -0.074 | 65.00 +0.074 +0.000 | 12.69 |
| MPSU-70X6X2.8 | 57 | 70 | 6 | 6.30 +0.20 +0.00 | 57.00 +0.000 -0.074 | 70.00 +0.074 +0.000 | 10.92 |
| MPSU-70X4X2.9 | 59 | 70 | 4 | 4.20 +0.20 +0.00 | 59.00 +0.000 -0.074 | 70.00 +0.074 +0.000 | 11.29 |



STYLE MPSU TWO PIECE PISTON SEALS

| Part Number | A Nom. ID | B Nom. OD | C Nom. Ht | D GROOVE WIDTH | H GROOVE DIAMETER | J BORE DIAMETER | List Price |
|-----------------|--------------|--------------|--------------|--|--|--|---------------|
| MPSU-75X6X3.5 | 59.5 | 75 | 6 | 6.30 ^{+0.20} / _{+0.00} | 59.50 ^{+0.000} / _{-0.074} | 75.00 ^{+0.074} / _{+0.000} | 14.51 |
| MPSU-75X4X2.9 | 64 | 75 | 4 | 4.20 ^{+0.20} / _{+0.00} | 64.00 ^{+0.000} / _{-0.074} | 75.00 ^{+0.074} / _{+0.000} | 12.09 |
| MPSU-80X6X3.5 | 64.5 | 80 | 6 | 6.30 ^{+0.20} / _{+0.00} | 64.50 ^{+0.000} / _{-0.074} | 80.00 ^{+0.074} / _{+0.000} | 13.57 |
| MPSU-85X6X3.5 | 69.5 | 85 | 6 | 6.30 ^{+0.20} / _{+0.00} | 69.50 ^{+0.000} / _{-0.074} | 85.00 ^{+0.087} / _{+0.000} | 13.52 |
| MPSU-90X6X3.5 | 74.5 | 90 | 6 | 6.30 ^{+0.20} / _{+0.00} | 74.50 ^{+0.000} / _{-0.074} | 90.00 ^{+0.087} / _{+0.000} | 13.46 |
| MPSU-90X7.3X2.5 | 75 | 90 | 7.3 | 7.50 ^{+0.20} / _{+0.00} | 75.00 ^{+0.000} / _{-0.074} | 90.00 ^{+0.087} / _{+0.000} | 40.36 |
| MPSU-100X6X3.5 | 84.5 | 100 | 6 | 6.30 ^{+0.20} / _{+0.00} | 84.50 ^{+0.000} / _{-0.087} | 100.00 ^{+0.087} / _{+0.000} | 14.35 |
| MPSU-110X6X3.5 | 94.5 | 110 | 6 | 6.30 ^{+0.20} / _{+0.00} | 94.50 ^{+0.000} / _{-0.087} | 110.00 ^{+0.087} / _{+0.000} | 19.42 |
| MPSU-120X7.9X5 | 99 | 120 | 7.9 | 8.10 ^{+0.20} / _{+0.00} | 99.00 ^{+0.000} / _{-0.087} | 120.00 ^{+0.087} / _{+0.000} | 24.48 |
| MPSU-125X7.9X5 | 104 | 125 | 7.9 | 8.10 ^{+0.20} / _{+0.00} | 104.00 ^{+0.000} / _{-0.087} | 125.00 ^{+0.10} / _{+0.00} | 40.42 |
| MPSU-125X6X3.5 | 109.5 | 125 | 6 | 6.30 ^{+0.20} / _{+0.00} | 109.50 ^{+0.000} / _{-0.087} | 125.00 ^{+0.10} / _{+0.00} | 17.72 |
| MPSU-130X7.9X5 | 109 | 130 | 7.9 | 8.10 ^{+0.20} / _{+0.00} | 109.00 ^{+0.000} / _{-0.087} | 130.00 ^{+0.10} / _{+0.00} | 25.36 |
| MPSU-130X6X3.5 | 114.5 | 130 | 6 | 6.30 ^{+0.20} / _{+0.00} | 114.50 ^{+0.000} / _{-0.087} | 130.00 ^{+0.10} / _{+0.00} | 19.12 |
| MPSU-135X7.9X5 | 114 | 135 | 7.9 | 8.10 ^{+0.20} / _{+0.00} | 114.00 ^{+0.000} / _{-0.087} | 135.00 ^{+0.10} / _{+0.00} | 27.39 |
| MPSU-140X7.9X5 | 119 | 140 | 7.9 | 8.10 ^{+0.20} / _{+0.00} | 119.00 ^{+0.000} / _{-0.087} | 140.00 ^{+0.10} / _{+0.00} | 28.22 |
| MPSU-150X7.9X5 | 129 | 150 | 7.9 | 8.10 ^{+0.20} / _{+0.00} | 129.00 ^{+0.00} / _{-0.10} | 150.00 ^{+0.10} / _{+0.00} | 29.42 |
| MPSU-160X7.9X5 | 139 | 160 | 7.9 | 8.10 ^{+0.20} / _{+0.00} | 139.00 ^{+0.00} / _{-0.10} | 160.00 ^{+0.10} / _{+0.00} | 30.99 |
| MPSU-170X7.9X5 | 149 | 170 | 7.9 | 8.10 ^{+0.20} / _{+0.00} | 149.00 ^{+0.00} / _{-0.10} | 170.00 ^{+0.10} / _{+0.00} | 23.34 |
| MPSU-180X7.9X5 | 159 | 180 | 7.9 | 8.10 ^{+0.20} / _{+0.00} | 159.00 ^{+0.00} / _{-0.10} | 180.00 ^{+0.10} / _{+0.00} | 36.15 |
| MPSU-210X7.9X5 | 189 | 210 | 7.9 | 8.10 ^{+0.20} / _{+0.00} | 189.00 ^{+0.000} / _{-0.115} | 210.00 ^{+0.115} / _{+0.000} | 38.79 |

PISTON SEAL ASSEMBLIES

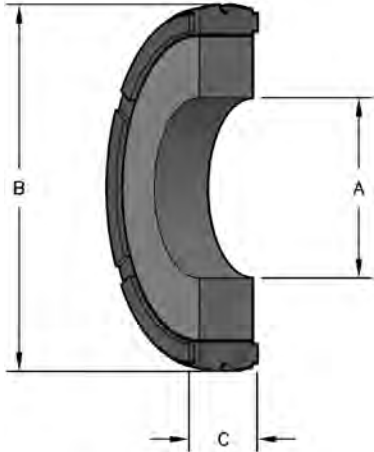
Seal color may vary. Special order sizes are available. Sizes not shown and out of stock items can also be ordered for next day delivery through Seals On Demand, our custom seal program. Please call your regional sales team for assistance.

FORMERLY LISTED SEALS ARE AVAILABLE ONLINE AT WWW.HERCULESUS.COM
OR BY CONTACTING YOUR REGIONAL HERCULES SALES TEAM.



STYLE MPSU300 TWO PIECE PISTON SEALS

The MPSU300 is a compact, double-acting piston seal consisting of two parts: a urethane sealing ring with a pronounced sealing edge and a rectangular nitrile energizer to prevent the seal from twisting within the groove. It also has low friction and smooth operating movement even at low linear velocities.



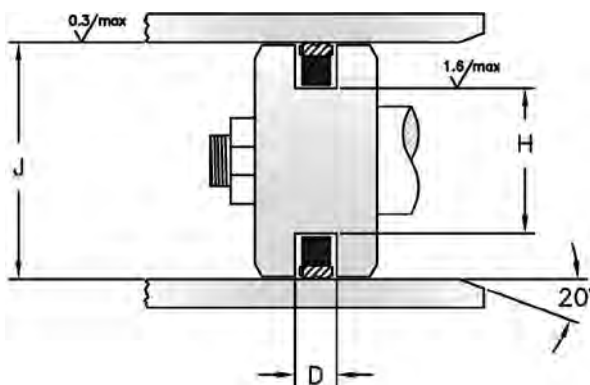
HERCULES PART NUMBERS

MPSU300 - 40 X 27 X 6

Type of Seal Bore Groove Diameter Seal Height

SEAL INFORMATION

| | |
|-------------------|--|
| MATERIAL | 94A URETHANE SEAL 70/80A NITRILE ENERGIZER |
| TEMPERATURE RANGE | -22 TO +212° F |
| PRESSURE RANGE | 0 TO 5,800 PSI |
| SPEED | 1.5 FT/SEC |



MAXIMUM EXTRUSION GAP

| GROOVE WIDTH (mm) | 2,400 psi 16MPa | 3,700 psi 26MPa | 4,700 psi 32 MPa | 5,800 psi 40 MPa |
|-------------------|--------------------|--------------------|---------------------|---------------------|
| 3.2 | 0.3 | 0.2 | - | - |
| 4.2 | 0.4 | 0.3 | 0.2 | - |
| 6.3 | 0.5 | 0.4 | 0.3 | 0.25 |
| 8.1 | 0.6 | 0.5 | 0.4 | 0.35 |
| 10.5 | 0.65 | 0.55 | 0.45 | 0.4 |

| Part Number | A Nom. ID | B Nom. OD | C Nom. Ht | D GROOVE WIDTH | H GROOVE DIAMETER | J BORE DIAMETER | List Price |
|-------------------|--------------|--------------|--------------|------------------------|---------------------------|---------------------------|------------|
| MPSU300-25X17.5X3 | 17.5 | 25 | 3 | 3.20 +0.20 +0.00 | 17.50 +0.000 -0.043 | 25.00 +0.052 +0.000 | \$11.55 |
| MPSU300-32X24.5X3 | 24.5 | 32 | 3 | 3.20 +0.20 +0.00 | 24.50 +0.000 -0.052 | 32.00 +0.062 +0.000 | 15.96 |
| MPSU300-40X27X6 | 27 | 40 | 6 | 6.30 +0.20 +0.00 | 27.00 +0.000 -0.052 | 40.00 +0.062 +0.000 | 14.04 |
| MPSU300-40X29X4 | 29 | 40 | 4 | 4.20 +0.20 +0.00 | 29.00 +0.000 -0.052 | 40.00 +0.062 +0.000 | 13.95 |
| MPSU300-45X34X4 | 34 | 45 | 4 | 4.20 +0.20 +0.00 | 34.00 +0.000 -0.062 | 45.00 +0.062 +0.000 | 17.31 |
| MPSU300-50X34.5X6 | 34.5 | 50 | 6 | 6.30 +0.20 +0.00 | 34.50 +0.000 -0.062 | 50.00 +0.062 +0.000 | 11.20 |
| MPSU300-50X37X6 | 37 | 50 | 6 | 6.30 +0.20 +0.00 | 37.00 +0.000 -0.062 | 50.00 +0.062 +0.000 | 11.74 |
| MPSU300-50X39X4 | 39 | 50 | 4 | 4.20 +0.20 +0.00 | 39.00 +0.000 -0.062 | 50.00 +0.062 +0.000 | 12.35 |
| MPSU300-55X39.5X6 | 39.5 | 55 | 6 | 6.30 +0.20 +0.00 | 39.50 +0.000 -0.062 | 55.00 +0.074 +0.000 | 12.79 |
| MPSU300-60X44.5X6 | 44.5 | 60 | 6 | 6.30 +0.20 +0.00 | 44.50 +0.000 -0.062 | 60.00 +0.074 +0.000 | 14.04 |
| MPSU300-60X49X4 | 49 | 60 | 4 | 4.20 +0.20 +0.00 | 49.00 +0.000 -0.062 | 60.00 +0.074 +0.000 | 14.24 |
| MPSU300-63X47.5X6 | 47.5 | 63 | 6 | 6.30 +0.20 +0.00 | 47.50 +0.000 -0.062 | 63.00 +0.074 +0.000 | 24.31 |



STYLE MPSU300 TWO PIECE PISTON SEALS

| Part Number | A Nom. ID | B Nom. OD | C Nom. Ht | D GROOVE WIDTH | H GROOVE DIAMETER | J BORE DIAMETER | List Price |
|---------------------|--------------|--------------|--------------|---|--|--|---------------|
| MPSU300-63X50X6 | 50 | 63 | 6 | 6.30 <small>+0.20 +0.00</small> | 50.00 <small>+0.000 -0.062</small> | 63.00 <small>+0.074 +0.000</small> | 16.55 |
| MPSU300-63X52X4 | 52 | 63 | 4 | 4.20 <small>+0.20 +0.00</small> | 52.00 <small>+0.000 -0.074</small> | 63.00 <small>+0.074 +0.000</small> | 16.50 |
| MPSU300-65X49.5X6 | 49.5 | 65 | 6 | 6.30 <small>+0.20 +0.00</small> | 49.50 <small>+0.000 -0.062</small> | 65.00 <small>+0.074 +0.000</small> | 18.52 |
| MPSU300-70X54.5X5.9 | 54.5 | 70 | 5.9 | 6.30 <small>+0.20 +0.00</small> | 54.50 <small>+0.000 -0.074</small> | 70.00 <small>+0.074 +0.000</small> | 16.87 |
| MPSU300-70X55X7.3 | 55 | 70 | 7.3 | 7.50 <small>+0.20 +0.00</small> | 55.00 <small>+0.000 -0.074</small> | 70.00 <small>+0.074 +0.000</small> | 17.03 |
| MPSU300-75X59.5X6 | 59.5 | 75 | 6 | 6.30 <small>+0.20 +0.00</small> | 59.50 <small>+0.000 -0.074</small> | 75.00 <small>+0.074 +0.000</small> | 17.08 |
| MPSU300-80X59X10 | 59 | 80 | 10 | 10.30 <small>+0.20 +0.00</small> | 59.00 <small>+0.000 -0.074</small> | 80.00 <small>+0.074 +0.000</small> | 19.52 |
| MPSU300-80X64.5X6 | 64.5 | 80 | 6 | 6.30 <small>+0.20 +0.00</small> | 64.50 <small>+0.000 -0.074</small> | 80.00 <small>+0.074 +0.000</small> | 21.27 |
| MPSU300-80X66.5X6 | 66.5 | 80 | 6 | 6.30 <small>+0.20 +0.00</small> | 66.50 <small>+0.000 -0.074</small> | 80.00 <small>+0.074 +0.000</small> | 26.41 |
| MPSU300-85X69.5X6 | 69.5 | 85 | 6 | 6.30 <small>+0.20 +0.00</small> | 69.50 <small>+0.000 -0.074</small> | 85.00 <small>+0.087 +0.000</small> | 32.85 |
| MPSU300-85X71.5X6 | 71.5 | 85 | 6 | 6.30 <small>+0.20 +0.00</small> | 71.50 <small>+0.000 -0.074</small> | 85.00 <small>+0.087 +0.000</small> | 33.31 |
| MPSU300-90X74.5X6 | 74.5 | 90 | 6 | 6.30 <small>+0.20 +0.00</small> | 74.50 <small>+0.000 -0.074</small> | 90.00 <small>+0.087 +0.000</small> | 33.63 |
| MPSU300-95X79.5X6 | 79.5 | 95 | 6 | 6.30 <small>+0.20 +0.00</small> | 79.50 <small>+0.000 -0.074</small> | 95.00 <small>+0.087 +0.000</small> | 34.18 |
| MPSU300-100X79X7.8 | 79 | 100 | 7.8 | 8.10 <small>+0.20 +0.00</small> | 79.00 <small>+0.000 -0.074</small> | 100.00 <small>+0.087 +0.000</small> | 35.08 |
| MPSU300-100X84.5X6 | 84.5 | 100 | 6 | 6.30 <small>+0.20 +0.00</small> | 84.50 <small>+0.000 -0.087</small> | 100.00 <small>+0.087 +0.000</small> | 35.17 |
| MPSU300-110X89X7.8 | 89 | 110 | 7.8 | 8.10 <small>+0.20 +0.00</small> | 89.00 <small>+0.000 -0.087</small> | 110.00 <small>+0.087 +0.000</small> | 35.37 |
| MPSU300-110X94.5X6 | 94.5 | 110 | 6 | 6.30 <small>+0.20 +0.00</small> | 94.50 <small>+0.000 -0.087</small> | 110.00 <small>+0.087 +0.000</small> | 35.57 |
| MPSU300-115X94X7.8 | 94 | 115 | 7.8 | 8.10 <small>+0.20 +0.00</small> | 94.00 <small>+0.000 -0.087</small> | 115.00 <small>+0.087 +0.000</small> | 41.37 |
| MPSU300-120X99X7.8 | 99 | 120 | 7.8 | 8.10 <small>+0.20 +0.00</small> | 99.00 <small>+0.000 -0.087</small> | 120.00 <small>+0.087 +0.000</small> | 42.89 |
| MPSU300-120X99X10 | 99 | 120 | 10 | 10.50 <small>+0.20 +0.00</small> | 99.00 <small>+0.000 -0.087</small> | 120.00 <small>+0.087 +0.000</small> | 46.45 |
| MPSU300-125X104X7.8 | 104 | 125 | 7.8 | 8.10 <small>+0.20 +0.00</small> | 104.00 <small>+0.000 -0.087</small> | 125.00 <small>+0.10 +0.00</small> | 48.59 |
| MPSU300-125X104X10 | 104 | 125 | 10 | 10.30 <small>+0.20 +0.00</small> | 104.00 <small>+0.000 -0.087</small> | 125.00 <small>+0.10 +0.00</small> | 50.04 |
| MPSU300-125X109.5X6 | 109.5 | 125 | 6 | 6.30 <small>+0.20 +0.00</small> | 109.50 <small>+0.000 -0.087</small> | 125.00 <small>+0.10 +0.00</small> | 59.98 |
| MPSU300-130X109X7.8 | 109 | 130 | 7.8 | 8.10 <small>+0.20 +0.00</small> | 109.00 <small>+0.000 -0.087</small> | 130.00 <small>+0.10 +0.00</small> | 61.50 |
| MPSU300-140X119X7.8 | 119 | 140 | 7.8 | 8.10 <small>+0.20 +0.00</small> | 119.00 <small>+0.000 -0.087</small> | 140.00 <small>+0.10 +0.00</small> | 56.78 |
| MPSU300-140X119X10 | 119 | 140 | 10 | 10.50 <small>+0.20 +0.00</small> | 119.00 <small>+0.000 -0.087</small> | 140.00 <small>+0.10 +0.00</small> | 55.82 |
| MPSU300-150X129X10 | 129 | 150 | 10 | 10.50 <small>+0.20 +0.00</small> | 129.00 <small>+0.00 -0.10</small> | 150.00 <small>+0.10 +0.00</small> | 56.21 |
| MPSU300-160X139X7.8 | 139 | 160 | 7.8 | 8.10 <small>+0.20 +0.00</small> | 139.00 <small>+0.00 -0.10</small> | 160.00 <small>+0.10 +0.00</small> | 92.50 |
| MPSU300-180X159X7.8 | 159 | 180 | 7.8 | 8.10 <small>+0.20 +0.00</small> | 159.00 <small>+0.00 -0.10</small> | 180.00 <small>+0.10 +0.00</small> | 109.35 |

PISTON SEAL ASSEMBLIES

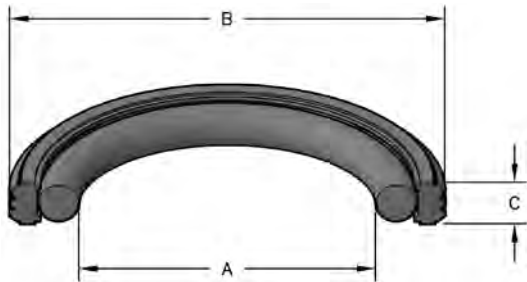
Seal color may vary. Special order sizes are available. Sizes not shown and out of stock items can also be ordered for next day delivery through Seals On Demand, our custom seal program. Please call your regional sales team for assistance.

FORMERLY LISTED SEALS ARE AVAILABLE ONLINE AT WWW.HERCULESUS.COM
OR BY CONTACTING YOUR REGIONAL HERCULES SALES TEAM.



STYLE MKPD TWO PIECE PISTON SEALS

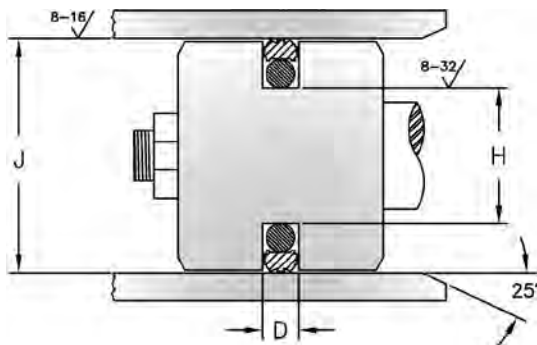
A double acting piston seal with many features: Two compact seal edges to concentrate the load against the dynamic surface, a cavity between the two external seal edges to retain fluid (reducing friction and wear), side grooves to allow pressure to load the energizer in all working conditions, high sealing performance at low pressure, excellent wear-resistance, and high resistance against extrusion.



HERCULES PART NUMBERS

MKPD - 25 X 14 X 4.2

Type of Seal Bore Diameter Groove Diameter Groove Width



SEAL INFORMATION

| | |
|-------------------|--|
| MATERIAL | 97A URETHANE SEAL 70A NITRILE EXPANDER |
| TEMPERATURE RANGE | -22° TO +210° F |
| PRESSURE RANGE | 0 TO 5,800 PSI |
| SPEED | 1.5 FT/SEC |

MAXIMUM EXTRUSION GAP

| | | | | | |
|------------------------------|-------|-------|-------|-------|-------|
| Pressure (psi) | 725 | 1450 | 2900 | 4350 | 5800 |
| Max Diametrical Gap (inches) | 0.047 | 0.031 | 0.016 | 0.010 | 0.007 |

| Part Number | A Nom. ID | B Nom. OD | C Nom. Ht | D GROOVE WIDTH | H GROOVE DIAMETER | J BORE DIAMETER | List Price |
|------------------|--------------|--------------|--------------|--|---|---|---------------|
| MKPD-25X14X4.2 | 14 | 25 | 4.2 | 4.20 ^{+0.20} / _{+0.00} | 14.00 ^{+0.10} / _{+0.00} | 25.00 ^{+0.084} / _{+0.000} | \$ 6.51 |
| MKPD-25X17.5X3.2 | 17.5 | 25 | 3.2 | 3.20 ^{+0.20} / _{+0.00} | 17.50 ^{+0.10} / _{+0.00} | 25.00 ^{+0.084} / _{+0.000} | 6.51 |
| MKPD-30X22.5X3.2 | 22.5 | 30 | 3.2 | 3.20 ^{+0.20} / _{+0.00} | 22.50 ^{+0.10} / _{+0.00} | 30.00 ^{+0.084} / _{+0.000} | 6.52 |
| MKPD-32X21X4.2 | 21 | 32 | 4.2 | 4.20 ^{+0.20} / _{+0.00} | 21.00 ^{+0.10} / _{+0.00} | 32.00 ^{+0.10} / _{+0.00} | 7.12 |
| MKPD-32X24.5X3.2 | 24.5 | 32 | 3.2 | 3.20 ^{+0.20} / _{+0.00} | 24.50 ^{+0.10} / _{+0.00} | 32.00 ^{+0.10} / _{+0.00} | 6.94 |
| MKPD-35X27.5X3.2 | 27.5 | 35 | 3.2 | 3.20 ^{+0.20} / _{+0.00} | 27.50 ^{+0.10} / _{+0.00} | 35.00 ^{+0.10} / _{+0.00} | 7.35 |
| MKPD-38X30.5X3.2 | 30.5 | 38 | 3.2 | 3.20 ^{+0.20} / _{+0.00} | 30.50 ^{+0.10} / _{+0.00} | 38.00 ^{+0.10} / _{+0.00} | 6.30 |
| MKPD-40X24.5X6.3 | 24.5 | 40 | 6.3 | 6.30 ^{+0.20} / _{+0.00} | 24.50 ^{+0.10} / _{+0.00} | 40.00 ^{+0.10} / _{+0.00} | 8.32 |
| MKPD-40X29X4.2 | 29 | 40 | 4.2 | 4.20 ^{+0.20} / _{+0.00} | 29.00 ^{+0.10} / _{+0.00} | 40.00 ^{+0.10} / _{+0.00} | 7.90 |
| MKPD-40X32.5X3.2 | 32.5 | 40 | 3.2 | 3.20 ^{+0.20} / _{+0.00} | 32.50 ^{+0.10} / _{+0.00} | 40.00 ^{+0.10} / _{+0.00} | 7.52 |
| MKPD-45X29.5X6.3 | 29.5 | 45 | 6.3 | 6.30 ^{+0.20} / _{+0.00} | 29.50 ^{+0.10} / _{+0.00} | 45.00 ^{+0.10} / _{+0.00} | 9.10 |
| MKPD-45X34X4.2 | 34 | 45 | 4.2 | 4.20 ^{+0.20} / _{+0.00} | 34.00 ^{+0.10} / _{+0.00} | 45.00 ^{+0.10} / _{+0.00} | 7.92 |
| MKPD-50X34.5X6.3 | 34.5 | 50 | 6.3 | 6.30 ^{+0.20} / _{+0.00} | 34.50 ^{+0.10} / _{+0.00} | 50.00 ^{+0.10} / _{+0.00} | 9.60 |
| MKPD-50X39X4.2 | 39 | 50 | 4.2 | 4.20 ^{+0.20} / _{+0.00} | 39.00 ^{+0.10} / _{+0.00} | 50.00 ^{+0.10} / _{+0.00} | 8.64 |
| MKPD-55X39.5X6.3 | 39.5 | 55 | 6.3 | 6.30 ^{+0.20} / _{+0.00} | 39.50 ^{+0.10} / _{+0.00} | 55.00 ^{+0.12} / _{+0.00} | 9.96 |



STYLE MKPD TWO PIECE PISTON SEALS

| Part Number | A Nom. ID | B Nom. OD | C Nom. Ht | D GROOVE WIDTH | H GROOVE DIAMETER | J BORE DIAMETER | List Price |
|--------------------|--------------|--------------|--------------|----------------------|-----------------------|-------------------------|---------------|
| MKPD-55X44X4.2 | 44 | 55 | 4.2 | 4.20 +0.20 +0.00 | 44.00 +0.10 +0.00 | 55.00 +0.12 +0.00 | 9.61 |
| MKPD-60X44.5X6.3 | 44.5 | 60 | 6.3 | 6.30 +0.20 +0.00 | 44.50 +0.10 +0.00 | 60.00 +0.12 +0.00 | 11.26 |
| MKPD-60X49X4.2 | 49 | 60 | 4.2 | 4.20 +0.20 +0.00 | 49.00 +0.10 +0.00 | 60.00 +0.12 +0.00 | 10.63 |
| MKPD-63X47.5X6.3 | 47.5 | 63 | 6.3 | 6.30 +0.20 +0.00 | 47.50 +0.10 +0.00 | 63.00 +0.12 +0.00 | 12.38 |
| MKPD-63X52X4.2 | 52 | 63 | 4.2 | 4.20 +0.20 +0.00 | 52.00 +0.10 +0.00 | 63.00 +0.12 +0.00 | 11.56 |
| MKPD-65X49.5X6.3 | 49.5 | 65 | 6.3 | 6.30 +0.20 +0.00 | 49.50 +0.10 +0.00 | 65.00 +0.12 +0.00 | 12.68 |
| MKPD-65X54X4.2 | 54 | 65 | 4.2 | 4.20 +0.20 +0.00 | 54.00 +0.10 +0.00 | 65.00 +0.12 +0.00 | 11.96 |
| MKPD-70X54.5X6.3 | 54.5 | 70 | 6.3 | 6.30 +0.20 +0.00 | 54.50 +0.10 +0.00 | 70.00 +0.12 +0.00 | 13.55 |
| MKPD-70X59X4.2 | 59 | 70 | 4.2 | 4.20 +0.20 +0.00 | 59.00 +0.10 +0.00 | 70.00 +0.12 +0.00 | 12.67 |
| MKPD-75X59.5X6.3 | 59.5 | 75 | 6.3 | 6.30 +0.20 +0.00 | 59.50 +0.10 +0.00 | 75.00 +0.12 +0.00 | 15.33 |
| MKPD-75X64X4.2 | 64 | 75 | 4.2 | 4.20 +0.20 +0.00 | 64.00 +0.10 +0.00 | 75.00 +0.12 +0.00 | 13.57 |
| MKPD-80X64.5X6.3 | 64.5 | 80 | 6.3 | 6.30 +0.20 +0.00 | 64.50 +0.10 +0.00 | 80.00 +0.12 +0.00 | 14.69 |
| MKPD-80X69X4.2 | 69 | 80 | 4.2 | 4.20 +0.20 +0.00 | 69.00 +0.10 +0.00 | 80.00 +0.12 +0.00 | 14.07 |
| MKPD-85X69.5X6.3 | 69.5 | 85 | 6.3 | 6.30 +0.20 +0.00 | 69.50 +0.10 +0.00 | 85.00 +0.14 +0.00 | 15.65 |
| MKPD-90X74.5X6.3 | 74.5 | 90 | 6.3 | 6.30 +0.20 +0.00 | 74.50 +0.10 +0.00 | 90.00 +0.14 +0.00 | 16.19 |
| MKPD-95X79.5X6.3 | 79.5 | 95 | 6.3 | 6.30 +0.20 +0.00 | 79.50 +0.10 +0.00 | 95.00 +0.14 +0.00 | 17.61 |
| MKPD-100X84.5X6.3 | 84.5 | 100 | 6.3 | 6.30 +0.20 +0.00 | 84.50 +0.10 +0.00 | 100.00 +0.14 +0.00 | 19.35 |
| MKPD-100X86.5X6.3 | 86.5 | 100 | 6.3 | 6.30 +0.20 +0.00 | 86.50 +0.10 +0.00 | 100.00 +0.14 +0.00 | 38.00 |
| MKPD-110X94.5X6.3 | 94.5 | 110 | 6.3 | 6.30 +0.20 +0.00 | 94.50 +0.10 +0.00 | 110.00 +0.14 +0.00 | 37.18 |
| MKPD-120X104.5X6.3 | 104.5 | 120 | 6.3 | 6.30 +0.20 +0.00 | 104.50 +0.10 +0.00 | 120.00 +0.14 +0.00 | 39.35 |
| MKPD-125X109.5X6.3 | 109.5 | 125 | 6.3 | 6.30 +0.20 +0.00 | 109.50 +0.10 +0.00 | 125.00 +0.16 +0.00 | 38.39 |
| MKPD-130X114.5X6.3 | 114.5 | 130 | 6.3 | 6.30 +0.20 +0.00 | 114.50 +0.10 +0.00 | 130.00 +0.16 +0.00 | 27.87 |
| MKPD-140X119X8.1 | 119 | 140 | 8.1 | 8.10 +0.20 +0.00 | 119.00 +0.10 +0.00 | 140.00 +0.16 +0.00 | 29.48 |
| MKPD-150X129X8.1 | 129 | 150 | 8.1 | 8.10 +0.20 +0.00 | 129.00 +0.10 +0.00 | 150.00 +0.16 +0.00 | 32.29 |
| MKPD-160X139X8.1 | 139 | 160 | 8.1 | 8.10 +0.20 +0.00 | 139.00 +0.10 +0.00 | 160.00 +0.16 +0.00 | 34.98 |
| MKPD-170X149X8.1 | 149 | 170 | 8.1 | 8.10 +0.20 +0.00 | 149.00 +0.10 +0.00 | 170.00 +0.16 +0.00 | 35.96 |
| MKPD-180X159X8.1 | 159 | 180 | 8.1 | 8.10 +0.20 +0.00 | 159.00 +0.10 +0.00 | 180.00 +0.16 +0.00 | 38.00 |
| MKPD-200X179X8.1 | 179 | 200 | 8.1 | 8.10 +0.20 +0.00 | 179.00 +0.10 +0.00 | 200.00 +0.185 +0.000 | 45.04 |
| MKPD-250X229X8.1 | 229 | 250 | 8.1 | 8.10 +0.20 +0.00 | 229.00 +0.10 +0.00 | 250.00 +0.185 +0.000 | 69.65 |

PISTON SEAL ASSEMBLIES

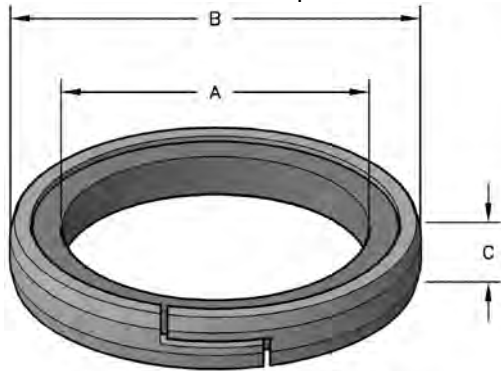
Seal color may vary. Special order sizes are available. Sizes not shown and out of stock items can also be ordered for next day delivery through Seals On Demand, our custom seal program. Please call your regional sales team for assistance.

FORMERLY LISTED SEALS ARE AVAILABLE ONLINE AT WWW.HERCULESUS.COM
OR BY CONTACTING YOUR REGIONAL HERCULES SALES TEAM.



STYLE MPS2000 NYLON STEP CUT PISTON SEALS

The MPS2000 double acting piston seal is designed for heavy duty hydraulic applications. The small profile is resistant to shock loads and has high abrasion and extrusion resistance. Its split design allows simple installation on a solid piston.



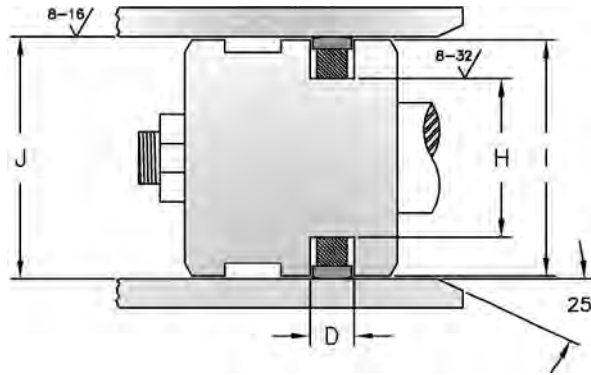
HERCULES PART NUMBERS

MPS2000 - 50

Type of Seal | Bore Diameter

SEAL INFORMATION

| | |
|-------------------|-----------------------------------|
| MATERIAL | NYLON SEAL WITH NITRILE ENERGIZER |
| TEMPERATURE RANGE | -22° F TO +230° F |
| PRESSURE RANGE | 0 TO 7250 PSI |
| SPEED | 3 FT/SEC |



PISTON SEAL ASSEMBLIES

| Part Number | A Nom. ID | B Nom. OD | C Nom. Ht | D GROOVE WIDTH | H GROOVE DIAMETER | J BORE DIAMETER | List Price |
|---------------|--------------|--------------|--------------|------------------------|---------------------------|----------------------------|---------------|
| MPS2000-38 | 30.5 | 38 | 3.2 | 3.20 +0.20 +0.00 | 30.50 +0.000 -0.062 | 38.00 +0.062 +0.000 | \$ 19.67 |
| MPS2000-45 | 34 | 45 | 4.2 | 4.20 +0.20 +0.00 | 34.00 +0.000 -0.062 | 45.00 +0.062 +0.000 | 22.38 |
| MPS2000-50 | 34.5 | 50 | 6.3 | 6.30 +0.20 +0.00 | 34.50 +0.000 -0.062 | 50.00 +0.062 +0.000 | 26.73 |
| MPS2000-63 | 47.5 | 63 | 6.3 | 6.30 +0.20 +0.00 | 47.50 +0.000 -0.062 | 63.00 +0.074 +0.000 | 28.39 |
| MPS2000-75 | 54 | 75 | 8.1 | 8.10 +0.20 +0.00 | 54.00 +0.000 -0.074 | 75.00 +0.07 +0.00 | 27.45 |
| MPS2000-80/1 | 59 | 80 | 8.1 | 8.10 +0.20 +0.00 | 59.00 +0.000 -0.074 | 80.00 +0.074 +0.000 | 48.76 |
| MPS2000-80 | 64.5 | 80 | 6.3 | 6.30 +0.20 +0.00 | 64.50 +0.000 -0.074 | 80.00 +0.074 +0.000 | 26.51 |
| MPS2000-85 | 64 | 85 | 8.1 | 8.10 +0.20 +0.00 | 64.00 +0.000 -0.074 | 85.00 +0.09 +0.00 | 26.97 |
| MPS2000-90 | 69 | 90 | 8.1 | 8.10 +0.20 +0.00 | 69.00 +0.000 -0.074 | 90.00 +0.087 +0.000 | 27.43 |
| MPS2000-100 | 79 | 100 | 8.1 | 8.10 +0.20 +0.00 | 79.00 +0.000 -0.074 | 100.00 +0.087 +0.000 | 30.33 |
| MPS2000-100/1 | 84.5 | 100 | 6.3 | 6.30 +0.20 +0.00 | 84.50 +0.000 -0.087 | 100.00 +0.087 +0.000 | 37.07 |
| MPS2000-105 | 84 | 105 | 8.1 | 8.10 +0.20 +0.00 | 84.00 +0.000 -0.087 | 105.00 +0.087 +0.000 | 34.20 |
| MPS2000-110 | 89 | 110 | 8.1 | 8.10 +0.20 +0.00 | 89.00 +0.000 -0.087 | 110.00 +0.087 +0.000 | 35.69 |
| MPS2000-115 | 94 | 115 | 8.1 | 8.10 +0.20 +0.00 | 94.00 +0.000 -0.087 | 115.00 +0.087 +0.000 | 39.81 |
| MPS2000-120 | 99 | 120 | 8.1 | 8.10 +0.20 +0.00 | 99.00 +0.000 -0.087 | 120.00 +0.087 +0.000 | 40.27 |

NORTH AMERICA
PHONE 1-800-777-5617
FAX 1-800-759-6391

SALES OFFICE HOURS
8 A.M. TO 7:30 P.M. EASTERN TIME
www.HerculesUS.com

WORLDWIDE
PHONE 1-727-796-1300
FAX 1-727-797-8849



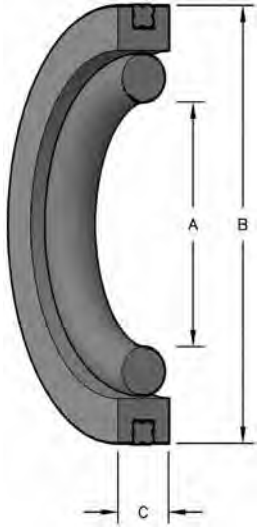
STYLE MPS2000 NYLON STEP CUT PISTON SEALS

| Part Number | A Nom. ID | B Nom. OD | C Nom. Ht | D GROOVE WIDTH | H GROOVE DIAMETER | J BORE DIAMETER | List Price |
|---------------|--------------|--------------|--------------|--|--|--|---------------|
| MPS2000-125 | 104 | 125 | 8.1 | 8.10 ^{+0.20} / _{+0.00} | 104.00 ^{+0.000} / _{-0.087} | 125.00 ^{+0.10} / _{+0.00} | 44.22 |
| MPS2000-125/1 | 109.5 | 125 | 6.3 | 6.30 ^{+0.20} / _{+0.00} | 109.50 ^{+0.000} / _{-0.087} | 125.00 ^{+0.10} / _{+0.00} | 50.15 |
| MPS2000-130 | 109 | 130 | 8.1 | 8.10 ^{+0.20} / _{+0.00} | 109.00 ^{+0.000} / _{-0.087} | 130.00 ^{+0.10} / _{+0.00} | 47.04 |
| MPS2000-135 | 114 | 135 | 8.1 | 8.10 ^{+0.20} / _{+0.00} | 114.00 ^{+0.000} / _{-0.087} | 135.00 ^{+0.10} / _{+0.00} | 60.53 |
| MPS2000-140 | 119 | 140 | 8.1 | 8.10 ^{+0.20} / _{+0.00} | 119.00 ^{+0.000} / _{-0.087} | 140.00 ^{+0.10} / _{+0.00} | 55.00 |
| MPS2000-145 | 124 | 145 | 8.1 | 8.10 ^{+0.20} / _{+0.00} | 124.00 ^{+0.00} / _{-0.10} | 145.00 ^{+0.10} / _{+0.00} | 84.48 |
| MPS2000-150 | 129 | 150 | 8.1 | 8.10 ^{+0.20} / _{+0.00} | 129.00 ^{+0.00} / _{-0.10} | 150.00 ^{+0.10} / _{+0.00} | 57.77 |
| MPS2000-160 | 139 | 160 | 8.1 | 8.10 ^{+0.20} / _{+0.00} | 139.00 ^{+0.00} / _{-0.10} | 160.00 ^{+0.10} / _{+0.00} | 61.70 |
| MPS2000-165 | 144 | 165 | 8.1 | 8.10 ^{+0.20} / _{+0.00} | 144.00 ^{+0.00} / _{-0.10} | 165.00 ^{+0.10} / _{+0.00} | 125.04 |
| MPS2000-170 | 149 | 170 | 8.1 | 8.10 ^{+0.20} / _{+0.00} | 149.00 ^{+0.00} / _{-0.10} | 170.00 ^{+0.10} / _{+0.00} | 67.22 |
| MPS2000-180 | 159 | 180 | 8.1 | 8.10 ^{+0.20} / _{+0.00} | 159.00 ^{+0.00} / _{-0.10} | 180.00 ^{+0.10} / _{+0.00} | 78.77 |
| MPS2000-190 | 169 | 190 | 8.1 | 8.10 ^{+0.20} / _{+0.00} | 169.00 ^{+0.00} / _{-0.10} | 190.00 ^{+0.115} / _{+0.000} | 99.36 |
| MPS2000-200 | 179 | 200 | 8.1 | 8.10 ^{+0.20} / _{+0.00} | 179.00 ^{+0.00} / _{-0.10} | 200.00 ^{+0.115} / _{+0.000} | 109.79 |
| MPS2000-210 | 189 | 210 | 8.1 | 8.10 ^{+0.20} / _{+0.00} | 189.00 ^{+0.000} / _{-0.115} | 210.00 ^{+0.115} / _{+0.000} | 115.31 |
| MPS2000-220 | 199 | 220 | 8.1 | 8.10 ^{+0.20} / _{+0.00} | 199.00 ^{+0.000} / _{-0.115} | 220.00 ^{+0.115} / _{+0.000} | 123.13 |
| MPS2000-220A | 205 | 220 | 8.1 | 8.10 ^{+0.20} / _{+0.00} | 205.00 ^{+0.000} / _{-0.115} | 220.00 ^{+0.115} / _{+0.000} | 307.62 |
| MPS2000-230 | 209 | 230 | 8.1 | 8.10 ^{+0.20} / _{+0.00} | 209.00 ^{+0.000} / _{-0.115} | 230.00 ^{+0.115} / _{+0.000} | 140.71 |
| MPS2000-240 | 225 | 240 | 8.1 | 8.10 ^{+0.20} / _{+0.00} | 225.00 ^{+0.000} / _{-0.115} | 240.00 ^{+0.115} / _{+0.000} | 228.74 |
| MPS2000-250 | 229 | 250 | 8.1 | 8.10 ^{+0.20} / _{+0.00} | 229.00 ^{+0.000} / _{-0.115} | 250.00 ^{+0.115} / _{+0.000} | 182.71 |
| MPS2000-260 | 239 | 260 | 8.1 | 8.10 ^{+0.20} / _{+0.00} | 239.00 ^{+0.000} / _{-0.115} | 260.00 ^{+0.13} / _{+0.00} | 242.27 |
| MPS2000-280 | 255.5 | 280 | 8.1 | 8.10 ^{+0.20} / _{+0.00} | 255.50 ^{+0.00} / _{-0.13} | 280.00 ^{+0.13} / _{+0.00} | 263.19 |
| MPS2000-290 | 271 | 290 | 9.5 | 9.50 ^{+0.20} / _{+0.00} | 271.00 ^{+0.00} / _{-0.13} | 290.00 ^{+0.13} / _{+0.00} | 443.64 |
| MPS2000-300 | 272 | 300 | 9.5 | 9.50 ^{+0.20} / _{+0.00} | 272.00 ^{+0.00} / _{-0.13} | 300.00 ^{+0.13} / _{+0.00} | 524.44 |

PISTON SEAL ASSEMBLIES

STYLE MPSQ PISTON SEALS

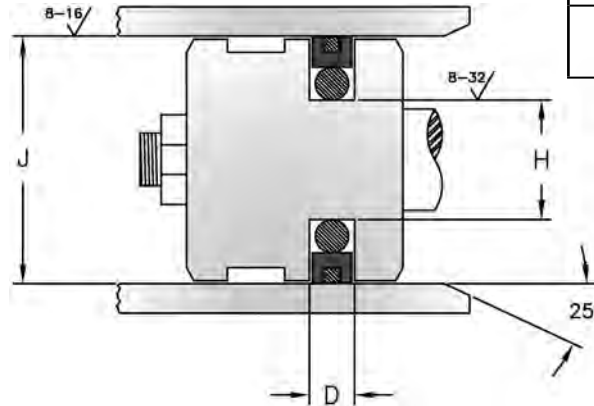
MPSQ piston seals are designed for bi-directional, low friction sealing with increased stability and superior leakage control. This seal is highly effective in applications requiring media separation or low gas permeation rate. This double acting seal is primarily used in accumulators and heavy duty cylinders.



HERCULES PART NUMBERS

MPSQ - 16 X 5 X 4.2

Type of Seal Bore Diameter Groove Diameter Groove Width



SEAL INFORMATION

| | |
|-------------------|--|
| MATERIAL | 40% BRONZE FILLED PTFE, NBR ENERGIZER, NBR QUAD® RING |
| TEMPERATURE RANGE | -40 - +220° F |
| PRESSURE RANGE | 0 TO 5000 PSI |
| SPEED | 6 FT/SEC |

| Part Number | A Nom. ID | B Nom. OD | C Nom. Ht | D GROOVE WIDTH | H GROOVE DIAMETER | J BORE DIAMETER | List Price |
|------------------|--------------|--------------|--------------|------------------------|---------------------------|---------------------------|---------------|
| MPSQ-25X14X4.2 | 14 | 25 | 4 | 4.20 +0.20 +0.00 | 14.00 +0.000 -0.043 | 25.00 +0.052 +0.000 | \$ 16.04 |
| MPSQ-28X17X4.2 | 17 | 28 | 4 | 4.20 +0.20 +0.00 | 17.00 +0.000 -0.043 | 28.00 +0.052 +0.000 | 16.83 |
| MPSQ-30X19X4.2 | 19 | 30 | 4 | 4.20 +0.20 +0.00 | 19.00 +0.000 -0.052 | 30.00 +0.052 +0.000 | 20.52 |
| MPSQ-32X21X4.2 | 21 | 32 | 4 | 4.20 +0.20 +0.00 | 21.00 +0.000 -0.052 | 32.00 +0.062 +0.000 | 20.52 |
| MPSQ-35X24X4.2 | 24 | 35 | 4 | 4.20 +0.20 +0.00 | 24.00 +0.000 -0.052 | 35.00 +0.062 +0.000 | 21.30 |
| MPSQ-40X29X4.2 | 29 | 40 | 4 | 4.20 +0.20 +0.00 | 29.00 +0.000 -0.052 | 40.00 +0.062 +0.000 | 19.14 |
| MPSQ-42X31X4.2 | 31 | 42 | 4 | 4.20 +0.20 +0.00 | 31.00 +0.000 -0.062 | 42.00 +0.062 +0.000 | 19.14 |
| MPSQ-45X34X4.2 | 34 | 45 | 4 | 4.20 +0.20 +0.00 | 34.00 +0.000 -0.062 | 45.00 +0.062 +0.000 | 23.22 |
| MPSQ-50X34.5X6.3 | 34.5 | 50 | 6.1 | 6.30 +0.20 +0.00 | 34.50 +0.000 -0.062 | 50.00 +0.062 +0.000 | 27.31 |
| MPSQ-50X39X4.2 | 39 | 50 | 4 | 4.20 +0.20 +0.00 | 39.00 +0.000 -0.062 | 50.00 +0.062 +0.000 | 22.52 |
| MPSQ-52X41X4.2 | 41 | 52 | 4 | 4.20 +0.20 +0.00 | 41.00 +0.000 -0.062 | 52.00 +0.074 +0.000 | 24.22 |
| MPSQ-55X44X4.2 | 44 | 55 | 4 | 4.20 +0.20 +0.00 | 44.00 +0.000 -0.062 | 55.00 +0.074 +0.000 | 25.93 |
| MPSQ-60X49X4.2 | 49 | 60 | 4 | 4.20 +0.20 +0.00 | 49.00 +0.000 -0.062 | 60.00 +0.074 +0.000 | 28.23 |
| MPSQ-63X47.5X6.3 | 47.5 | 63 | 6.1 | 6.30 +0.20 +0.00 | 47.50 +0.000 -0.062 | 63.00 +0.074 +0.000 | 31.33 |
| MPSQ-63X52X4.2 | 52 | 63 | 4 | 4.20 +0.20 +0.00 | 52.00 +0.000 -0.074 | 63.00 +0.074 +0.000 | 31.33 |



STYLE MPSQ PISTON SEALS

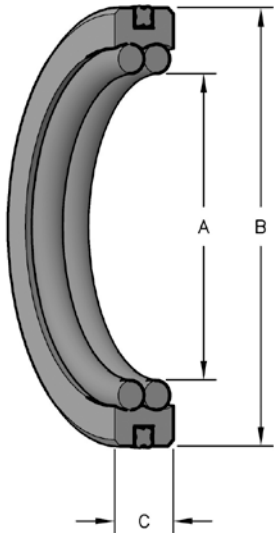
| Part Number | A Nom. ID | B Nom. OD | C Nom. Ht | D GROOVE WIDTH | H GROOVE DIAMETER | J BORE DIAMETER | List Price |
|--------------------|--------------|--------------|--------------|--|--|--|---------------|
| MPSQ-65X54X4.2 | 54 | 65 | 4 | 4.20 ^{+0.20} / _{+0.00} | 54.00 ^{+0.000} / _{-0.074} | 65.00 ^{+0.074} / _{+0.000} | 31.47 |
| MPSQ-70X54.5X6.3 | 54.5 | 70 | 6.1 | 6.30 ^{+0.20} / _{+0.00} | 54.50 ^{+0.000} / _{-0.074} | 70.00 ^{+0.074} / _{+0.000} | 43.50 |
| MPSQ-70X59X4.2 | 59 | 70 | 4 | 4.20 ^{+0.20} / _{+0.00} | 59.00 ^{+0.000} / _{-0.074} | 70.00 ^{+0.074} / _{+0.000} | 33.17 |
| MPSQ-75X64X4.2 | 64 | 75 | 4 | 4.20 ^{+0.20} / _{+0.00} | 64.00 ^{+0.000} / _{-0.074} | 75.00 ^{+0.074} / _{+0.000} | 34.88 |
| MPSQ-80X59X8.1 | 59 | 80 | 7.9 | 8.10 ^{+0.20} / _{+0.00} | 59.00 ^{+0.000} / _{-0.074} | 80.00 ^{+0.074} / _{+0.000} | 60.95 |
| MPSQ-80X64.5X6.3 | 64.5 | 80 | 6.1 | 6.30 ^{+0.20} / _{+0.00} | 64.50 ^{+0.000} / _{-0.074} | 80.00 ^{+0.074} / _{+0.000} | 48.60 |
| MPSQ-85X69.5X6.3 | 69.5 | 85 | 6.1 | 6.30 ^{+0.20} / _{+0.00} | 69.50 ^{+0.000} / _{-0.074} | 85.00 ^{+0.087} / _{+0.000} | 55.24 |
| MPSQ-90X74.5X6.3 | 74.5 | 90 | 6.1 | 6.30 ^{+0.20} / _{+0.00} | 74.50 ^{+0.000} / _{-0.074} | 90.00 ^{+0.087} / _{+0.000} | 58.93 |
| MPSQ-95X79.5X6.3 | 79.5 | 95 | 6.1 | 6.30 ^{+0.20} / _{+0.00} | 79.50 ^{+0.000} / _{-0.074} | 95.00 ^{+0.087} / _{+0.000} | 66.35 |
| MPSQ-100X84.5X6.3 | 84.5 | 100 | 6.1 | 6.30 ^{+0.20} / _{+0.00} | 84.50 ^{+0.000} / _{-0.087} | 100.00 ^{+0.087} / _{+0.000} | 69.74 |
| MPSQ-105X89.5X6.3 | 89.5 | 105 | 6.1 | 6.30 ^{+0.20} / _{+0.00} | 89.50 ^{+0.000} / _{-0.087} | 105.00 ^{+0.087} / _{+0.000} | 70.36 |
| MPSQ-110X94.5X6.3 | 94.5 | 110 | 6.1 | 6.30 ^{+0.20} / _{+0.00} | 94.50 ^{+0.000} / _{-0.087} | 110.00 ^{+0.087} / _{+0.000} | 77.15 |
| MPSQ-115X99.5X6.3 | 99.5 | 115 | 6.1 | 6.30 ^{+0.20} / _{+0.00} | 99.50 ^{+0.000} / _{-0.087} | 115.00 ^{+0.087} / _{+0.000} | 92.89 |
| MPSQ-120X104.5X6.3 | 104.5 | 120 | 6.1 | 6.30 ^{+0.20} / _{+0.00} | 104.50 ^{+0.000} / _{-0.087} | 120.00 ^{+0.087} / _{+0.000} | 84.86 |
| MPSQ-125X109.5X6.3 | 109.5 | 125 | 6.1 | 6.30 ^{+0.20} / _{+0.00} | 109.50 ^{+0.000} / _{-0.087} | 125.00 ^{+0.10} / _{+0.00} | 95.35 |

PISTON SEAL ASSEMBLIES

NEW FOR 2015

STYLE MPSQ5 PISTON SEALS

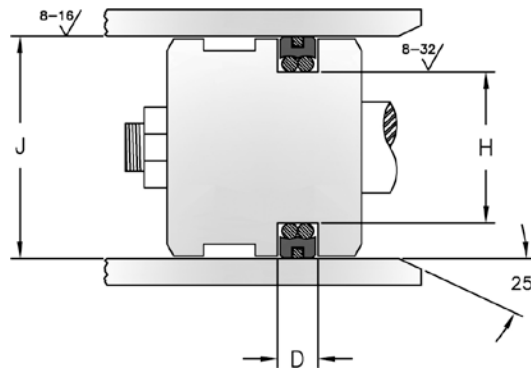
MPSQ5 piston seals are designed for bi-directional, low friction sealing with increased stability and superior leakage control. This seal is highly effective in applications requiring media separation or low gas permeation rate. This double acting seal is primarily used in accumulators and heavy duty cylinders.



HERCULES PART NUMBERS

MPSQ5 63 X 53 X 6.3

Type of Seal Outside Diameter Inside Diameter Groove Width



SEAL INFORMATION

| | |
|-------------------|---|
| MATERIAL | BRONZE FILLED PTFE, NBR ENERGIZERS, NBR QUAD-RING® |
| TEMPERATURE RANGE | -22° TO 212°F |
| PRESSURE RANGE | 0 TO 8,700 PSI |
| SPEED | 9.8 FT/SEC |

PISTON SEAL ASSEMBLIES

| Part Number | A Nom. ID | B Nom. OD | C Nom. Ht | D GROOVE WIDTH | H GROOVE DIAMETER | J BORE DIAMETER | List Price |
|--------------------|--------------|--------------|--------------|-------------------------|----------------------------|----------------------------|------------|
| MPSQ5-63X53X6.3 | 53 | 63 | 6 | 6.30 +0.20 +0.00 | 53.00 +0.000 -0.074 | 63.00 +0.074 +0.000 | \$24.22 |
| MPSQ5-65X55X6.3 | 55 | 65 | 6 | 6.30 +0.20 +0.00 | 55.00 +0.000 -0.074 | 65.00 +0.074 +0.000 | 24.67 |
| MPSQ5-70X60X6.3 | 60 | 70 | 6 | 6.30 +0.20 +0.00 | 60.00 +0.000 -0.074 | 70.00 +0.074 +0.000 | 47.31 |
| MPSQ5-80X67X8.3 | 67 | 80 | 7.9 | 8.30 +0.20 +0.00 | 67.00 +0.000 -0.074 | 80.00 +0.074 +0.000 | 47.91 |
| MPSQ5-90X77X8.3 | 77 | 90 | 7.9 | 8.30 +0.20 +0.00 | 77.00 +0.000 -0.074 | 90.00 +0.087 +0.000 | 50.28 |
| MPSQ5-100X87X8.3 | 87 | 100 | 7.9 | 8.30 +0.20 +0.00 | 87.00 +0.000 -0.087 | 100.00 +0.087 +0.000 | 56.89 |
| MPSQ5-110X97X8.3 | 97 | 110 | 7.9 | 8.30 +0.20 +0.00 | 97.00 +0.000 -0.087 | 110.00 +0.087 +0.000 | 64.34 |
| MPSQ5-120X107X8.3 | 107 | 120 | 7.9 | 8.30 +0.20 +0.00 | 107.00 +0.000 -0.087 | 120.00 +0.087 +0.000 | 72.25 |
| MPSQ5-140X122X12.3 | 122 | 140 | 11.9 | 12.30 +0.20 +0.00 | 122.00 +0.00 -0.10 | 140.00 +0.10 +0.00 | 99.38 |
| MPSQ5-160X142X12.3 | 142 | 160 | 11.9 | 12.30 +0.20 +0.00 | 142.00 +0.00 -0.10 | 160.00 +0.10 +0.00 | 160.20 |
| MPSQ5-180X162X12.3 | 162 | 180 | 11.9 | 12.30 +0.20 +0.00 | 162.00 +0.00 -0.10 | 180.00 +0.10 +0.00 | 184.36 |
| MPSQ5-200X182X12.3 | 182 | 200 | 11.9 | 12.30 +0.20 +0.00 | 182.00 +0.000 -0.115 | 200.00 +0.115 +0.000 | 284.13 |
| MPSQ5-220X202X12.3 | 202 | 220 | 11.9 | 12.30 +0.20 +0.00 | 202.00 +0.000 -0.115 | 220.00 +0.115 +0.000 | 296.43 |

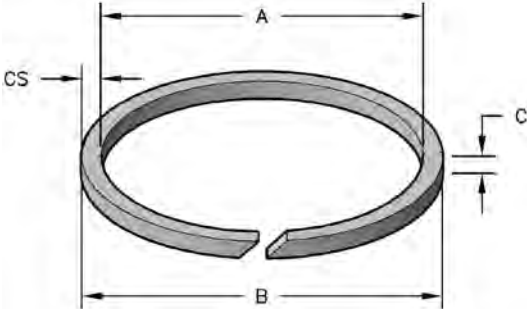
NORTH AMERICA
PHONE 1-800-777-5617
FAX 1-800-759-6391

SALES OFFICE HOURS
8 A.M. TO 7:30 P.M. EASTERN TIME
www.HerculesUS.com

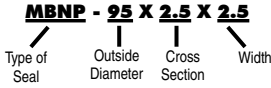
WORLDWIDE
PHONE 1-727-796-1300
FAX 1-727-797-8849

STYLE MBNP PISTON SEAL ANTI-EXTRUSION RINGS

Placed in adjacent grooves on each side of style MPS piston seals, they prevent cold flow or extrusion at high pressures.



HERCULES PART NUMBERS



| SEAL INFORMATION | |
|-------------------|-----------------|
| MATERIAL | NYLON |
| TEMPERATURE RANGE | -65° TO +220° F |
| PRESSURE RANGE | 0 TO 5,000 PSI |

| Part Number | A Nom. ID | B Nom. OD | C Nom. Ht | List Price |
|------------------|-----------|-----------|-----------|------------|
| MBNP-95X2.5X2.5 | 90 | 95 | 2.5 | \$9.16 |
| MBNP-100X2.5X2.5 | 95 | 100 | 2.5 | 9.16 |
| MBNP-105X2.5X2.5 | 100 | 105 | 2.5 | 9.80 |
| MBNP-110X3X3 | 104 | 110 | 3 | 10.30 |
| MBNP-110X2.5X2.5 | 105 | 110 | 2.5 | 9.80 |
| MBNP-115X3X3 | 109 | 115 | 3 | 11.43 |
| MBNP-115X2.5X2.5 | 110 | 115 | 2.5 | 8.53 |
| MBNP-120X3X3 | 114 | 120 | 3 | 11.43 |
| MBNP-125X3X3 | 119 | 125 | 3 | 12.59 |
| MBNP-130X3X3 | 124 | 130 | 3 | 12.59 |
| MBNP-135X3X3 | 129 | 135 | 3 | 13.72 |
| MBNP-140X3X3 | 134 | 140 | 3 | 14.88 |
| MBNP-145X3X3 | 139 | 145 | 3 | 14.88 |
| MBNP-150X3X3 | 144 | 150 | 3 | 16.01 |
| MBNP-160X3X3 | 154 | 160 | 3 | 17.18 |
| MBNP-170X3X3 | 164 | 170 | 3 | 18.30 |
| MBNP-180X3X3 | 174 | 180 | 3 | 19.44 |
| MBNP-190X3X3 | 184 | 190 | 3 | 21.76 |
| MBNP-215X3X3 | 209 | 215 | 3 | 29.17 |

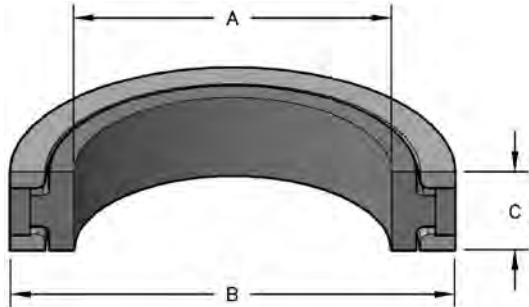
PISTON SEAL ASSEMBLIES

Seal color may vary. Special order sizes are available. Sizes not shown and out of stock items can also be ordered for next day delivery through Seals On Demand, our custom seal program. Please call your regional sales team for assistance.



STYLE MCPS FOUR PIECE PISTON SEALS

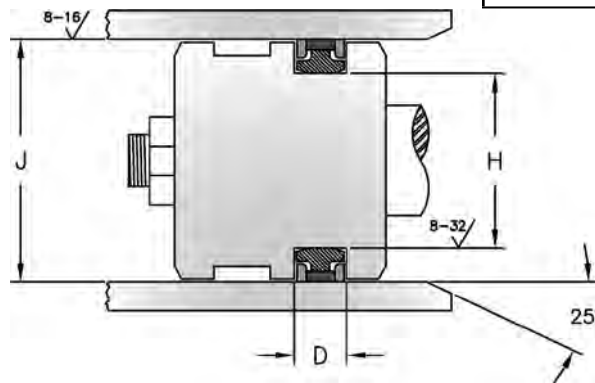
This capped piston seal consists of a filled PTFE cap, a T-shaped NBR energizer, and two split nylon backup rings. It exhibits low friction, high sealability, and excellent resistance to extrusion and wear.



HERCULES PART NUMBERS

MCPS - 50 X 36 X 8.5
 Type of Seal Bore Diameter Groove Diameter Height

BR = BRONZE FILLED PTFE CAP



SEAL INFORMATION

| | |
|-------------------|--|
| MATERIAL | PTFE PISTON SEAL NYLON BACK-UP NITRILE ENERGIZER |
| TEMPERATURE RANGE | -40° TO +220° F |
| PRESSURE RANGE | 0 TO 6,000 psi |
| SPEED | 4.5 FT/SEC |

| Part Number | A Nom. ID | B Nom. OD | C Nom. Ht | D GROOVE WIDTH | H GROOVE DIAMETER | J BORE DIAMETER | List Price |
|-----------------|--------------|--------------|--------------|-------------------------|---------------------------|---------------------------|---------------|
| MCPS-32X21X7.7 | 21 | 32 | 7.7 | 8.20 +0.20 +0.00 | 21.00 +0.000 -0.052 | 32.00 +0.062 +0.000 | \$80.69 |
| MCPS-50X36X8.5 | 36 | 50 | 8.5 | 9.00 +0.20 +0.00 | 36.00 +0.000 -0.062 | 50.00 +0.062 +0.000 | 100.85 |
| MCPS-50X40X7.5 | 40 | 50 | 7.5 | 8.00 +0.20 +0.00 | 40.00 +0.000 -0.062 | 50.00 +0.062 +0.000 | 51.55 |
| MCPS-55X41X8.5 | 41 | 55 | 8.5 | 9.00 +0.20 +0.00 | 41.00 +0.000 -0.062 | 55.00 +0.074 +0.000 | 45.05 |
| MCPS-56X45X8 | 45 | 56 | 8 | 8.00 +0.20 +0.00 | 45.00 +0.000 -0.062 | 56.00 +0.074 +0.000 | 60.28 |
| MCPS-60X46X8.5 | 46 | 60 | 8.5 | 9.00 +0.20 +0.00 | 46.00 +0.000 -0.062 | 60.00 +0.074 +0.000 | 50.17 |
| MCPS-63X48X10.5 | 48 | 63 | 10.5 | 11.00 +0.20 +0.00 | 48.00 +0.000 -0.062 | 63.00 +0.074 +0.000 | 34.09 |
| MCPS-63X53X7.5 | 53 | 63 | 7.5 | 8.00 +0.20 +0.00 | 53.00 +0.000 -0.074 | 63.00 +0.074 +0.000 | 72.85 |
| MCPS-65X50X10.5 | 50 | 65 | 10.5 | 11.00 +0.20 +0.00 | 50.00 +0.000 -0.062 | 65.00 +0.074 +0.000 | 30.05 |
| MCPS-65X51X8.5 | 51 | 65 | 8.5 | 9.00 +0.20 +0.00 | 51.00 +0.000 -0.074 | 65.00 +0.074 +0.000 | 78.49 |
| MCPS-70X55X10.5 | 55 | 70 | 10.5 | 11.00 +0.20 +0.00 | 55.00 +0.000 -0.074 | 70.00 +0.074 +0.000 | 50.17 |
| MCPS-70X55X12 | 55 | 70 | 12 | 12.50 +0.20 +0.00 | 55.00 +0.000 -0.074 | 70.00 +0.074 +0.000 | 70.40 |
| MCPS-70X60X7.5 | 60 | 70 | 7.5 | 8.00 +0.20 +0.00 | 60.00 +0.000 -0.074 | 70.00 +0.074 +0.000 | 48.85 |
| MCPS-75X60X10.5 | 60 | 75 | 10.5 | 11.00 +0.20 +0.00 | 60.00 +0.000 -0.074 | 75.00 +0.074 +0.000 | 48.66 |
| MCPS-75X63X8.6 | 63 | 75 | 8.6 | 9.10 +0.20 +0.00 | 63.00 +0.000 -0.074 | 75.00 +0.074 +0.000 | 52.23 |



STYLE MCPS FOUR PIECE PISTON SEALS

PISTON SEAL ASSEMBLIES

| Part Number | A Nom. ID | B Nom. OD | C Nom. Ht | D GROOVE WIDTH | H GROOVE DIAMETER | J BORE DIAMETER | List Price |
|-------------------|--------------|--------------|--------------|---|--|--|---------------|
| MCPS-80X65X10.5 | 65 | 80 | 10.5 | 11.00 ^{+0.20} / _{+0.00} | 65.00 ^{+0.000} / _{-0.074} | 80.00 ^{+0.074} / _{+0.000} | 54.54 |
| MCPS-80X65X11.5 | 65 | 80 | 11.5 | 12.00 ^{+0.20} / _{+0.00} | 65.00 ^{+0.000} / _{-0.074} | 80.00 ^{+0.074} / _{+0.000} | 54.20 |
| MCPS-85X70X10.5 | 70 | 85 | 10.5 | 11.00 ^{+0.20} / _{+0.00} | 70.00 ^{+0.000} / _{-0.074} | 85.00 ^{+0.087} / _{+0.000} | 62.70 |
| MCPS-90X75X10.5 | 75 | 90 | 10.5 | 11.00 ^{+0.20} / _{+0.00} | 75.00 ^{+0.000} / _{-0.074} | 90.00 ^{+0.087} / _{+0.000} | 61.45 |
| MCPS-90X75X11.5 | 75 | 90 | 11.5 | 12.00 ^{+0.20} / _{+0.00} | 75.00 ^{+0.000} / _{-0.074} | 90.00 ^{+0.087} / _{+0.000} | 59.19 |
| MCPS-90X75X12.5 | 75 | 90 | 12.5 | 13.00 ^{+0.20} / _{+0.00} | 75.00 ^{+0.000} / _{-0.074} | 90.00 ^{+0.087} / _{+0.000} | 79.99 |
| MCPS-95X80X10.5 | 80 | 95 | 10.5 | 11.00 ^{+0.20} / _{+0.00} | 80.00 ^{+0.000} / _{-0.074} | 95.00 ^{+0.087} / _{+0.000} | 62.70 |
| MCPS-95X80X12 | 80 | 95 | 12 | 12.50 ^{+0.20} / _{+0.00} | 80.00 ^{+0.000} / _{-0.074} | 95.00 ^{+0.087} / _{+0.000} | 65.60 |
| MCPS-100X85X12 | 85 | 100 | 12 | 12.50 ^{+0.20} / _{+0.00} | 85.00 ^{+0.000} / _{-0.087} | 100.00 ^{+0.087} / _{+0.000} | 66.38 |
| MCPS-105X90X12 | 90 | 105 | 12 | 12.50 ^{+0.20} / _{+0.00} | 90.00 ^{+0.000} / _{-0.087} | 105.00 ^{+0.087} / _{+0.000} | 69.39 |
| MCPS-110X95X12 | 95 | 110 | 12 | 12.50 ^{+0.20} / _{+0.00} | 95.00 ^{+0.000} / _{-0.087} | 110.00 ^{+0.087} / _{+0.000} | 70.65 |
| MCPS-115X100X12 | 100 | 115 | 12 | 12.50 ^{+0.20} / _{+0.00} | 100.00 ^{+0.000} / _{-0.087} | 115.00 ^{+0.087} / _{+0.000} | 78.06 |
| MCPS-120X100X15.5 | 100 | 120 | 15.5 | 16.00 ^{+0.20} / _{+0.00} | 100.00 ^{+0.000} / _{-0.087} | 120.00 ^{+0.087} / _{+0.000} | 103.69 |
| MCPS-120X105X12 | 105 | 120 | 12 | 12.50 ^{+0.20} / _{+0.00} | 105.00 ^{+0.000} / _{-0.087} | 120.00 ^{+0.087} / _{+0.000} | 73.63 |
| MCPS-125X102X15.5 | 102 | 125 | 15.5 | 16.00 ^{+0.20} / _{+0.00} | 102.00 ^{+0.000} / _{-0.087} | 125.00 ^{+0.10} / _{+0.00} | 81.86 |
| MCPS-125X105X15.5 | 105 | 125 | 15.5 | 16.00 ^{+0.20} / _{+0.00} | 105.00 ^{+0.000} / _{-0.087} | 125.00 ^{+0.10} / _{+0.00} | 112.07 |
| MCPS-125X110X12.5 | 110 | 125 | 12.5 | 12.50 ^{+0.20} / _{+0.00} | 110.00 ^{+0.000} / _{-0.087} | 125.00 ^{+0.10} / _{+0.00} | 74.22 |
| MCPS-130X107X15.5 | 107 | 130 | 15.5 | 16.00 ^{+0.20} / _{+0.00} | 107.00 ^{+0.000} / _{-0.087} | 130.00 ^{+0.10} / _{+0.00} | 88.46 |
| MCPS-130X110X15.5 | 110 | 130 | 15.5 | 16.00 ^{+0.20} / _{+0.00} | 110.00 ^{+0.000} / _{-0.087} | 130.00 ^{+0.10} / _{+0.00} | 102.68 |
| MCPS-130X115X12.5 | 115 | 130 | 12.5 | 12.50 ^{+0.20} / _{+0.00} | 115.00 ^{+0.000} / _{-0.087} | 130.00 ^{+0.10} / _{+0.00} | 77.41 |
| MCPS-135X112X15.5 | 112 | 135 | 15.5 | 16.00 ^{+0.20} / _{+0.00} | 112.00 ^{+0.000} / _{-0.087} | 135.00 ^{+0.10} / _{+0.00} | 94.12 |
| MCPS-140X117X15.5 | 117 | 140 | 15.5 | 16.00 ^{+0.20} / _{+0.00} | 117.00 ^{+0.000} / _{-0.087} | 140.00 ^{+0.10} / _{+0.00} | 100.17 |
| MCPS-140X120X15.5 | 120 | 140 | 15.5 | 16.00 ^{+0.20} / _{+0.00} | 120.00 ^{+0.000} / _{-0.087} | 140.00 ^{+0.10} / _{+0.00} | 127.06 |
| MCPS-140X120X18.5 | 120 | 140 | 18.5 | 19.00 ^{+0.20} / _{+0.00} | 120.00 ^{+0.000} / _{-0.087} | 140.00 ^{+0.10} / _{+0.00} | 119.75 |
| MCPS-145X122X15.5 | 122 | 145 | 15.5 | 16.00 ^{+0.20} / _{+0.00} | 122.00 ^{+0.00} / _{-0.10} | 145.00 ^{+0.10} / _{+0.00} | 100.90 |
| MCPS-150X127X15.5 | 127 | 150 | 15.5 | 16.00 ^{+0.20} / _{+0.00} | 127.00 ^{+0.00} / _{-0.10} | 150.00 ^{+0.10} / _{+0.00} | 108.97 |
| MCPS-150X130X18.5 | 130 | 150 | 18.5 | 19.00 ^{+0.20} / _{+0.00} | 130.00 ^{+0.00} / _{-0.10} | 150.00 ^{+0.10} / _{+0.00} | 143.84 |
| MCPS-155X132X15.5 | 132 | 155 | 15.5 | 16.00 ^{+0.20} / _{+0.00} | 132.00 ^{+0.00} / _{-0.10} | 155.00 ^{+0.10} / _{+0.00} | 84.38 |
| MCPS-160X137X15.5 | 137 | 160 | 15.5 | 16.00 ^{+0.20} / _{+0.00} | 137.00 ^{+0.00} / _{-0.10} | 160.00 ^{+0.10} / _{+0.00} | 123.77 |
| MCPS-160X140X15.5 | 140 | 160 | 15.5 | 16.00 ^{+0.20} / _{+0.00} | 140.00 ^{+0.00} / _{-0.10} | 160.00 ^{+0.10} / _{+0.00} | 113.63 |
| MCPS-160X140X18.5 | 140 | 160 | 18.5 | 19.00 ^{+0.20} / _{+0.00} | 140.00 ^{+0.00} / _{-0.10} | 160.00 ^{+0.10} / _{+0.00} | 148.44 |
| MCPS-160X145X12.5 | 145 | 160 | 12.5 | 13.00 ^{+0.20} / _{+0.00} | 145.00 ^{+0.00} / _{-0.10} | 160.00 ^{+0.10} / _{+0.00} | 143.58 |
| MCPS-165X142X15.5 | 142 | 165 | 15.5 | 16.00 ^{+0.20} / _{+0.00} | 142.00 ^{+0.00} / _{-0.10} | 165.00 ^{+0.10} / _{+0.00} | 136.86 |

FORMERLY LISTED SEALS ARE AVAILABLE ONLINE AT WWW.HERCULESUS.COM
OR BY CONTACTING YOUR REGIONAL HERCULES SALES TEAM.




STYLE MCPS FOUR PIECE PISTON SEALS


PISTON SEAL ASSEMBLIES

| Part Number | A Nom. ID | B Nom. OD | C Nom. Ht | D GROOVE WIDTH | H GROOVE DIAMETER | J BORE DIAMETER | List Price |
|---------------------|--------------|--------------|--------------|-------------------------|----------------------------|----------------------------|---------------|
| MCPS-170X147X15.5 | 147 | 170 | 15.5 | 16.00 +0.00 -0.20 | 147.00 +0.00 -0.10 | 170.00 +0.10 +0.00 | 140.25 |
| MCPS-175X152X15.5 | 152 | 175 | 15.5 | 16.00 +0.20 +0.00 | 152.00 +0.00 -0.10 | 175.00 +0.10 +0.00 | 108.15 |
| MCPS-180X157X15.5 | 157 | 180 | 15.5 | 16.00 +0.20 +0.00 | 157.00 +0.00 -0.10 | 180.00 +0.10 +0.00 | 129.73 |
| MCPS-180X160X15.5 | 160 | 180 | 15.5 | 16.00 +0.20 +0.00 | 160.00 +0.00 -0.10 | 180.00 +0.10 +0.00 | 127.24 |
| MCPS-180X165X12.5BR | 165 | 180 | 12 | 12.50 +0.20 +0.00 | 165.00 +0.00 -0.10 | 180.00 +0.10 +0.00 | 172.71 |
| MCPS-185X162X15.5 | 162 | 185 | 15.5 | 16.00 +0.20 +0.00 | 162.00 +0.00 -0.10 | 185.00 +0.115 +0.000 | 135.63 |
| MCPS-190X167X15.5 | 167 | 190 | 15.5 | 16.00 +0.20 +0.00 | 167.00 +0.00 -0.10 | 190.00 +0.115 +0.000 | 163.73 |
| MCPS-190X175X12.5 | 175 | 190 | 12.5 | 13.00 +0.20 +0.00 | 175.00 +0.00 -0.10 | 190.00 +0.115 +0.000 | 229.81 |
| MCPS-195X172X15.5 | 172 | 195 | 15.5 | 16.00 +0.20 +0.00 | 172.00 +0.00 -0.10 | 195.00 +0.115 +0.000 | 131.03 |
| MCPS-200X167X23.3BR | 167 | 200 | 23.3 | 23.80 +0.20 +0.00 | 167.00 +0.00 -0.10 | 200.00 +0.115 +0.000 | 420.75 |
| MCPS-200X177X15.5BR | 177 | 200 | 15.5 | 16.00 +0.20 +0.00 | 177.00 +0.00 -0.10 | 200.00 +0.115 +0.000 | 153.19 |
| MCPS-200X180X18.5 | 180 | 200 | 18.5 | 18.50 +0.20 +0.00 | 180.00 +0.00 -0.10 | 200.00 +0.115 +0.000 | 134.10 |
| MCPS-210X187X15.5 | 187 | 210 | 15.5 | 16.00 +0.20 +0.00 | 187.00 +0.000 -0.115 | 210.00 +0.115 +0.000 | 139.94 |
| MCPS-215X192X15.5BR | 192 | 215 | 15.5 | 16.00 +0.20 +0.00 | 192.00 +0.000 -0.115 | 215.00 +0.115 +0.000 | 164.68 |
| MCPS-220X197X15.5 | 197 | 220 | 15.5 | 16.00 +0.20 +0.00 | 197.00 +0.000 -0.115 | 220.00 +0.115 +0.000 | 147.00 |
| MCPS-225X202X15.5 | 202 | 225 | 15.5 | 16.00 +0.20 +0.00 | 202.00 +0.000 -0.115 | 225.00 +0.115 +0.000 | 195.08 |
| MCPS-230X207X15.5 | 207 | 230 | 15.5 | 16.00 +0.20 +0.00 | 207.00 +0.000 -0.115 | 230.00 +0.115 +0.000 | 157.41 |
| MCPS-230X210X16 | 210 | 230 | 16 | 16.00 +0.20 +0.00 | 210.00 +0.000 -0.115 | 230.00 +0.115 +0.000 | 311.21 |
| MCPS-240X217X15.5 | 217 | 240 | 15.5 | 16.00 +0.20 +0.00 | 217.00 +0.000 -0.115 | 240.00 +0.115 +0.000 | 158.09 |
| MCPS-250X210X25.5BR | 210 | 250 | 25.5 | 26.00 +0.20 +0.00 | 210.00 +0.000 -0.115 | 250.00 +0.115 +0.000 | 702.20 |
| MCPS-250X222X17 | 222 | 250 | 17 | 17.50 +0.20 +0.00 | 222.00 +0.000 -0.115 | 250.00 +0.115 +0.000 | 208.38 |
| MCPS-260X232X17 | 232 | 260 | 17 | 17.50 +0.20 +0.00 | 232.00 +0.000 -0.115 | 260.00 +0.13 +0.00 | 208.38 |
| MCPS-260X240X16 | 240 | 260 | 16 | 16.50 +0.20 +0.00 | 240.00 +0.000 -0.115 | 260.00 +0.13 +0.00 | 337.41 |
| MCPS-280X252X17 | 252 | 280 | 17 | 17.50 +0.20 +0.00 | 252.00 +0.00 -0.13 | 280.00 +0.13 +0.00 | 233.66 |
| MCPS-300X260X25.5BR | 260 | 300 | 25.5 | 26.00 +0.20 +0.00 | 260.00 +0.00 -0.13 | 300.00 +0.13 +0.00 | 844.54 |
| MCPS-300X272X17 | 272 | 300 | 17 | 17.50 +0.20 +0.00 | 272.00 +0.00 -0.13 | 300.00 +0.13 +0.00 | 310.17 |

REPLACEMENT SPECIFIC PISTON SEALS FOR CATERPILLAR® EQUIPMENT

These seals are specials for certain Caterpillar® cylinders. **NOTE:** Caterpillar® part numbers are used as a reference only. We do not imply that these parts are original equipment parts.


| PISTON SEAL TYPE | | MATERIAL | | | TEMPERATURE RANGE | PRESSURE RANGE | | |
|---------------------|--------------|---|--------------|--|---|---|---|--|
| 2 PIECE PISTON SEAL | | PTFE PISTON SEAL 70A NITRILE ENERGIZER | | | -40° TO 220° F | 0 TO 5,000 PSI |  | |
| Part Number | A Nom. ID | B Nom. OD | C Nom. Ht | D GROOVE WIDTH | H GROOVE DIAMETER | J BORE DIAMETER | List Price | |
| CTC-1200890 | 60 | 75 | 7.3 | 7.50 <small>+0.20 +0.00</small> | 60.00 <small>+0.000 -0.074</small> | 75.00 <small>+0.074 +0.000</small> | \$22.92 | |


| PISTON SEAL TYPE | | MATERIAL | | | TEMPERATURE RANGE | PRESSURE RANGE | | |
|---------------------------------|--------------------|--------------------------------------|--|--|-------------------|----------------|---|--|
| 2 PIECE STEP CUT PISTON SEAL | | NYLON SEAL 70 A NITRILE ENERGIZER | | | -40° TO 220° F | 0 TO 5,000 PSI |  | |
| Part Number | J BORE DIAMETER | | | | | List Price | | |
| CTC-1846970 | 75.00 | | | | | \$60.12 | | |
| CTC-1841687 | 85.00 | | | | | 32.90 | | |
| CTC-9X7298 | 100.00 | | | | | 53.53 | | |
| CTC-9X7301 | 110.00 | | | | | 55.75 | | |
| CTC-9X3589 | 115.00 | | | | | 40.69 | | |
| CTC-9X3592 | 120.00 | | | | | 57.49 | | |
| CTC-9X3595 | 130.00 | | | | | 59.45 | | |
| CTC-2371934 | 135.00 | | | | | 104.15 | | |
| CTC-9X3598 | 140.00 | | | | | 68.80 | | |
| CTC-9X3601 | 150.00 | | | | | 64.04 | | |
| CTC-9X3604 | 160.00 | | | | | 52.52 | | |
| CTC-9X3607 | 170.00 | | | | | 74.31 | | |
| CTC-9X3610 | 180.00 | | | | | 56.25 | | |
| CTC-1251286 | 190.00 | | | | | 61.36 | | |
| CTC-1723918 | 210.00 | | | | | 41.25 | | |
| CTC-1921425 | 220.00 | | | | | 67.91 | | |
| CTC-8C9182 | 220.00 | | | | | 67.91 | | |

PISTON SEAL ASSEMBLIES



REPLACEMENT SPECIFIC PISTON SEALS FOR CATERPILLAR® EQUIPMENT

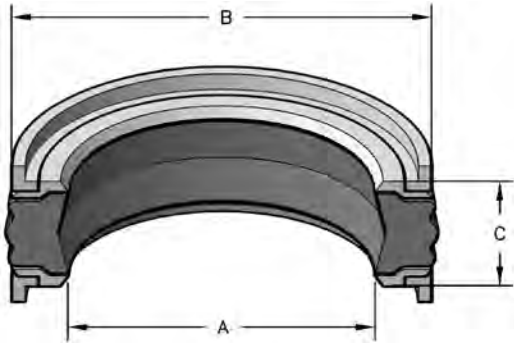
| PISTON SEAL TYPE | | MATERIAL | | TEMPERATURE RANGE | | PRESSURE RANGE | | | |
|---------------------|--------------|---|--------------|---|---|--|---------------|---|--|
| 4 PIECE PISTON SEAL | | PTFE PISTON SEAL NYLON BACK-UP BUNA-N ENERGIZER | | -40° TO +220° F | | 0 TO 6,000 PSI | |  | |
| Part Number | A Nom. ID | B Nom. OD | C Nom. Ht | D GROOVE WIDTH | H GROOVE DIAMETER | J BORE DIAMETER | List Price | | |
| CTC-0996998 | 65 | 80 | 10.5 | 11.00 ^{+0.20} / _{+0.00} | 65.00 ^{+0.000} / _{-0.074} | 80.00 ^{+0.074} / _{+0.000} | \$50.46 | | |
| CTC-0996973 | 75 | 90 | 10.5 | 11.00 ^{+0.20} / _{+0.00} | 75.00 ^{+0.000} / _{-0.074} | 90.00 ^{+0.087} / _{+0.000} | 57.35 | | |
| CTC-5I5928 | 85 | 100 | 12 | 12.50 ^{+0.20} / _{+0.00} | 85.00 ^{+0.000} / _{-0.087} | 100.00 ^{+0.087} / _{+0.000} | 61.94 | | |
| CTC-0996922 | 95 | 110 | 12 | 12.50 ^{+0.20} / _{+0.00} | 95.00 ^{+0.000} / _{-0.087} | 110.00 ^{+0.087} / _{+0.000} | 65.35 | | |
| CTC-A04601713 | 95 | 110 | 12 | 12.50 ^{+0.20} / _{+0.00} | 95.00 ^{+0.000} / _{-0.087} | 110.00 ^{+0.087} / _{+0.000} | 70.65 | | |
| CTC-A04601719 | 137 | 160 | 15.5 | 16.00 ^{+0.20} / _{+0.00} | 137.00 ^{+0.00} / _{-0.10} | 160.00 ^{+0.10} / _{+0.00} | 123.77 | | |

| PISTON SEAL TYPE | | MATERIAL | | TEMPERATURE RANGE | | PRESSURE RANGE | | | |
|---------------------|--------------|--|--------------|---------------------------|---|-------------------------|--|---|---------------|
| 5 PIECE PISTON SEAL | | 70A NBR / FABRIC SEAL PTFE BACK-UP NYLON BEARING | | -20° TO 190° F | | 0 TO 5,000 PSI | |  | |
| Part Number | A Nom. ID | B Nom. OD | C Nom. Ht | D SEAL GROOVE WIDTH | D ₁ BEARING GROOVE WIDTH | H GROOVE DIAMETER | H ₁ BEARING GROOVE DIAMETER | J BORE DIAMETER | List Price |
| CTC-A04601215 | 96 | 110 | 22 | 22.00 | 9.95 | 96.00 | 101.50 | 110.00 | \$144.65 |
| CTC-A04601216 | 106 | 120 | 22 | 22.00 | 9.95 | 106.00 | 111.50 | 120.00 | 144.65 |

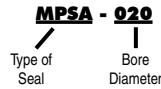
PISTON SEAL ASSEMBLIES

STYLE MPSA FIVE PIECE PISTON SEALS

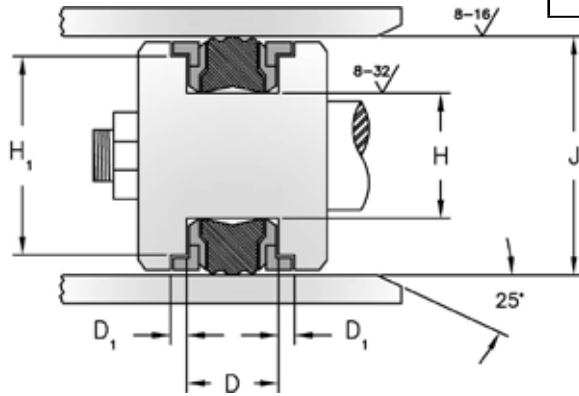
Designed to fit on one or two piece pistons, this piston seal employs a nitrile seal for high sealability, nylon split back-ups for extrusion resistance, and two split bearing rings. No further support bearings are required.



HERCULES PART NUMBERS



| SEAL INFORMATION | |
|-------------------|--|
| MATERIAL | 70A NBR SEAL NYLON BACK-UP & BEARING |
| TEMPERATURE RANGE | -22° TO +212° F |
| PRESSURE RANGE | 0 TO 6,000 PSI |
| SPEED | 1.5 FT/SEC |



| Part Number | A Nom. ID | B Nom. OD | C Nom. Ht | D SEAL GROOVE WIDTH | D ₁ BEARING GROOVE WIDTH | H GROOVE DIAMETER | H ₁ BEARING GROOVE DIAMETER | J BORE DIAMETER | List Price |
|-------------|-----------|-----------|-----------|---|--|---|---|---|------------|
| MPSA-020 | 11 | 20 | 13.5 | 13.50 ^{+0.20} / _{+0.00} | 2.10 ^{+0.10} / _{+0.00} | 11.00 ^{+0.000} / _{-0.043} | 17.00 ^{+0.000} / _{-0.043} | 20.00 ^{+0.084} / _{+0.000} | \$9.97 |
| MPSA-025 | 15 | 25 | 12.5 | 12.50 ^{+0.20} / _{+0.00} | 4.00 ^{+0.10} / _{+0.00} | 15.00 ^{+0.000} / _{-0.043} | 22.00 ^{+0.000} / _{-0.052} | 25.00 ^{+0.084} / _{+0.000} | 9.97 |
| MPSA-025A | 15 | 25 | 16.4 | 16.40 ^{+0.20} / _{+0.00} | 6.35 ^{+0.10} / _{+0.00} | 15.00 ^{+0.000} / _{-0.043} | 21.40 ^{+0.000} / _{-0.052} | 25.00 ^{+0.084} / _{+0.000} | 9.97 |
| MPSA-025B | 16 | 25 | 13.5 | 13.50 ^{+0.20} / _{+0.00} | 2.10 ^{+0.10} / _{+0.00} | 16.00 ^{+0.000} / _{-0.043} | 22.00 ^{+0.000} / _{-0.052} | 25.00 ^{+0.084} / _{+0.000} | 9.97 |
| MPSA-028 | 19 | 28 | 13.5 | 13.50 ^{+0.20} / _{+0.00} | 2.10 ^{+0.10} / _{+0.00} | 19.00 ^{+0.000} / _{-0.052} | 25.00 ^{+0.000} / _{-0.052} | 28.00 ^{+0.084} / _{+0.000} | 10.25 |
| MPSA-030A | 21 | 30 | 13.5 | 13.50 ^{+0.20} / _{+0.00} | 2.10 ^{+0.10} / _{+0.00} | 21.00 ^{+0.000} / _{-0.052} | 27.00 ^{+0.000} / _{-0.052} | 30.00 ^{+0.084} / _{+0.000} | 10.25 |
| MPSA-032A | 22 | 32 | 12.5 | 12.50 ^{+0.20} / _{+0.00} | 4.00 ^{+0.10} / _{+0.00} | 22.00 ^{+0.000} / _{-0.052} | 27.40 ^{+0.000} / _{-0.052} | 32.00 ^{+0.10} / _{+0.00} | 15.54 |
| MPSA-032C | 22 | 32 | 15.5 | 15.50 ^{+0.20} / _{+0.00} | 2.60 ^{+0.10} / _{+0.00} | 22.00 ^{+0.000} / _{-0.052} | 28.00 ^{+0.000} / _{-0.052} | 32.00 ^{+0.10} / _{+0.00} | 14.52 |
| MPSA-032 | 22 | 32 | 16.3 | 16.30 ^{+0.20} / _{+0.00} | 6.35 ^{+0.10} / _{+0.00} | 22.00 ^{+0.000} / _{-0.052} | 27.40 ^{+0.000} / _{-0.052} | 32.00 ^{+0.10} / _{+0.00} | 15.54 |
| MPSA-032D | 24 | 32 | 15.5 | 15.50 ^{+0.20} / _{+0.00} | 3.20 ^{+0.10} / _{+0.00} | 24.00 ^{+0.000} / _{-0.052} | 28.00 ^{+0.000} / _{-0.052} | 32.00 ^{+0.10} / _{+0.00} | 14.52 |
| MPSA-035A | 25 | 35 | 15.5 | 15.50 ^{+0.20} / _{+0.00} | 2.60 ^{+0.10} / _{+0.00} | 25.00 ^{+0.000} / _{-0.052} | 31.00 ^{+0.000} / _{-0.062} | 35.00 ^{+0.10} / _{+0.00} | 16.09 |
| MPSA-035 | 25 | 35 | 16.4 | 16.40 ^{+0.20} / _{+0.00} | 6.35 ^{+0.10} / _{+0.00} | 25.00 ^{+0.000} / _{-0.052} | 31.40 ^{+0.000} / _{-0.062} | 35.00 ^{+0.10} / _{+0.00} | 11.48 |
| MPSA-040D | 26 | 40 | 15.5 | 15.50 ^{+0.20} / _{+0.00} | 2.60 ^{+0.10} / _{+0.00} | 26.00 ^{+0.000} / _{-0.052} | 36.00 ^{+0.000} / _{-0.062} | 40.00 ^{+0.10} / _{+0.00} | 17.15 |
| MPSA-040F | 30 | 40 | 12.5 | 12.50 ^{+0.20} / _{+0.00} | 4.00 ^{+0.10} / _{+0.00} | 30.00 ^{+0.000} / _{-0.052} | 37.00 ^{+0.000} / _{-0.062} | 40.00 ^{+0.10} / _{+0.00} | 17.15 |
| MPSA-040E | 30 | 40 | 16.4 | 16.40 ^{+0.20} / _{+0.00} | 6.35 ^{+0.10} / _{+0.00} | 30.00 ^{+0.000} / _{-0.052} | 35.40 ^{+0.000} / _{-0.062} | 40.00 ^{+0.10} / _{+0.00} | 17.15 |

PISTON SEAL ASSEMBLIES

FORMERLY LISTED SEALS ARE AVAILABLE ONLINE AT WWW.HERCULESUS.COM
 OR BY CONTACTING YOUR REGIONAL HERCULES SALES TEAM.



STYLE MPSA FIVE PIECE PISTON SEALS

PISTON SEAL ASSEMBLIES

| Part Number | A Nom. ID | B Nom. OD | C Nom. Ht | D SEAL GROOVE WIDTH | D ₁ BEARING GROOVE WIDTH | H GROOVE DIAMETER | H ₁ BEARING GROOVE DIAMETER | J BORE DIAMETER | List Price |
|-------------|-----------------|-----------------|-----------------|---|---|---|--|---|---------------|
| MPSA-040H | 32 | 40 | 10 | 10.00 ^{+0.20} / _{+0.00} | 4.00 ^{+0.10} / _{+0.00} | 32.00 ^{+0.000} / _{-0.062} | 37.00 ^{+0.000} / _{-0.062} | 40.00 ^{+0.10} / _{+0.00} | 16.48 |
| MPSA-040G | 32 | 40 | 15.5 | 15.50 ^{+0.20} / _{+0.00} | 3.20 ^{+0.10} / _{+0.00} | 32.00 ^{+0.000} / _{-0.062} | 36.00 ^{+0.000} / _{-0.062} | 40.00 ^{+0.10} / _{+0.00} | 17.15 |
| MPSA-045A | 29 | 45 | 18.4 | 18.40 ^{+0.20} / _{+0.00} | 6.35 ^{+0.10} / _{+0.00} | 29.00 ^{+0.000} / _{-0.052} | 40.40 ^{+0.000} / _{-0.062} | 45.00 ^{+0.10} / _{+0.00} | 17.85 |
| MPSA-045B | 31 | 45 | 15.5 | 15.50 ^{+0.20} / _{+0.00} | 2.60 ^{+0.10} / _{+0.00} | 31.00 ^{+0.000} / _{-0.062} | 41.00 ^{+0.000} / _{-0.062} | 45.00 ^{+0.10} / _{+0.00} | 17.85 |
| MPSA-045 | 35 | 45 | 16.4 | 16.40 ^{+0.20} / _{+0.00} | 6.35 ^{+0.10} / _{+0.00} | 35.00 ^{+0.000} / _{-0.062} | 40.40 ^{+0.000} / _{-0.062} | 45.00 ^{+0.10} / _{+0.00} | 17.81 |
| MPSA-050 | 34 | 50 | 18.4 | 18.40 ^{+0.20} / _{+0.00} | 6.35 ^{+0.10} / _{+0.00} | 34.00 ^{+0.000} / _{-0.062} | 45.40 ^{+0.000} / _{-0.062} | 50.00 ^{+0.10} / _{+0.00} | 18.26 |
| MPSA-050D | 34 | 50 | 20.5 | 20.50 ^{+0.20} / _{+0.00} | 3.10 ^{+0.10} / _{+0.00} | 34.00 ^{+0.000} / _{-0.062} | 46.00 ^{+0.000} / _{-0.062} | 50.00 ^{+0.10} / _{+0.00} | 18.84 |
| MPSA-050A | 38 | 50 | 20.5 | 20.50 ^{+0.20} / _{+0.00} | 4.20 ^{+0.10} / _{+0.00} | 38.00 ^{+0.000} / _{-0.062} | 46.00 ^{+0.000} / _{-0.062} | 50.00 ^{+0.10} / _{+0.00} | 18.26 |
| MPSA-050B | 40 | 50 | 12.5 | 12.50 ^{+0.20} / _{+0.00} | 4.00 ^{+0.10} / _{+0.00} | 40.00 ^{+0.000} / _{-0.062} | 47.00 ^{+0.000} / _{-0.062} | 50.00 ^{+0.10} / _{+0.00} | 18.26 |
| MPSA-055 | 39 | 55 | 18.4 | 18.40 ^{+0.20} / _{+0.00} | 6.40 ^{+0.10} / _{+0.00} | 39.00 ^{+0.000} / _{-0.062} | 50.40 ^{+0.000} / _{-0.074} | 55.00 ^{+0.12} / _{+0.00} | 20.21 |
| MPSA-055B | 39 | 55 | 20.5 | 20.50 ^{+0.20} / _{+0.00} | 3.10 ^{+0.10} / _{+0.00} | 39.00 ^{+0.000} / _{-0.062} | 51.00 ^{+0.000} / _{-0.074} | 55.00 ^{+0.12} / _{+0.00} | 19.46 |
| MPSA-060 | 44 | 60 | 18.4 | 18.40 ^{+0.20} / _{+0.00} | 6.35 ^{+0.10} / _{+0.00} | 44.00 ^{+0.000} / _{-0.062} | 55.40 ^{+0.000} / _{-0.074} | 60.00 ^{+0.12} / _{+0.00} | 21.55 |
| MPSA-060C | 44 | 60 | 20.5 | 20.50 ^{+0.20} / _{+0.00} | 3.10 ^{+0.10} / _{+0.00} | 44.00 ^{+0.000} / _{-0.062} | 56.00 ^{+0.000} / _{-0.074} | 60.00 ^{+0.12} / _{+0.00} | 11.37 |
| MPSA-060B | 48 | 60 | 20.5 | 20.50 ^{+0.20} / _{+0.00} | 4.20 ^{+0.10} / _{+0.00} | 48.00 ^{+0.000} / _{-0.062} | 56.00 ^{+0.000} / _{-0.074} | 60.00 ^{+0.12} / _{+0.00} | 21.55 |
| MPSA-063E | 47 | 63 | 18.4 | 18.40 ^{+0.20} / _{+0.00} | 6.35 ^{+0.10} / _{+0.00} | 47.00 ^{+0.000} / _{-0.062} | 58.40 ^{+0.000} / _{-0.074} | 63.00 ^{+0.12} / _{+0.00} | 12.79 |
| MPSA-063 | 47 | 63 | 19.4 | 19.40 ^{+0.20} / _{+0.00} | 6.35 ^{+0.10} / _{+0.00} | 47.00 ^{+0.000} / _{-0.062} | 58.40 ^{+0.000} / _{-0.074} | 63.00 ^{+0.12} / _{+0.00} | 23.35 |
| MPSA-063C | 47 | 63 | 20.5 | 20.50 ^{+0.20} / _{+0.00} | 3.10 ^{+0.10} / _{+0.00} | 47.00 ^{+0.000} / _{-0.062} | 59.00 ^{+0.000} / _{-0.074} | 63.00 ^{+0.12} / _{+0.00} | 29.71 |
| MPSA-063A | 51 | 63 | 20.15 | 20.15 ^{+0.20} / _{+0.00} | 4.20 ^{+0.10} / _{+0.00} | 51.00 ^{+0.000} / _{-0.074} | 59.00 ^{+0.000} / _{-0.074} | 63.00 ^{+0.12} / _{+0.00} | 23.35 |
| MPSA-063B | 53 | 63 | 12.5 | 12.50 ^{+0.20} / _{+0.00} | 4.00 ^{+0.10} / _{+0.00} | 53.00 ^{+0.000} / _{-0.074} | 60.00 ^{+0.000} / _{-0.074} | 63.00 ^{+0.12} / _{+0.00} | 23.35 |
| MPSA-065A | 49 | 65 | 20.5 | 20.50 ^{+0.20} / _{+0.00} | 3.10 ^{+0.10} / _{+0.00} | 49.00 ^{+0.000} / _{-0.062} | 61.00 ^{+0.000} / _{-0.074} | 65.00 ^{+0.12} / _{+0.00} | 14.58 |
| MPSA-065 | 50 | 65 | 18.4 | 18.40 ^{+0.20} / _{+0.00} | 6.35 ^{+0.10} / _{+0.00} | 50.00 ^{+0.000} / _{-0.062} | 60.40 ^{+0.000} / _{-0.074} | 65.00 ^{+0.12} / _{+0.00} | 23.39 |
| MPSA-070 | 50 | 70 | 22.4 | 22.40 ^{+0.20} / _{+0.00} | 6.35 ^{+0.10} / _{+0.00} | 50.00 ^{+0.000} / _{-0.062} | 64.20 ^{+0.000} / _{-0.074} | 70.00 ^{+0.12} / _{+0.00} | 23.93 |
| MPSA-070B | 54 | 70 | 20.5 | 20.50 ^{+0.20} / _{+0.00} | 3.10 ^{+0.10} / _{+0.00} | 54.00 ^{+0.000} / _{-0.074} | 66.00 ^{+0.000} / _{-0.074} | 70.00 ^{+0.12} / _{+0.00} | 29.50 |
| MPSA-070C | 55 | 70 | 20 | 20.00 ^{+0.20} / _{+0.00} | 5.00 ^{+0.10} / _{+0.00} | 55.00 ^{+0.000} / _{-0.074} | 66.00 ^{+0.000} / _{-0.074} | 70.00 ^{+0.12} / _{+0.00} | 26.48 |
| MPSA-070A | 58 | 70 | 20.15 | 20.15 ^{+0.20} / _{+0.00} | 4.20 ^{+0.10} / _{+0.00} | 58.00 ^{+0.000} / _{-0.074} | 66.00 ^{+0.000} / _{-0.074} | 70.00 ^{+0.12} / _{+0.00} | 23.93 |
| MPSA-075 | 55 | 75 | 22.4 | 22.40 ^{+0.20} / _{+0.00} | 6.35 ^{+0.10} / _{+0.00} | 55.00 ^{+0.000} / _{-0.074} | 69.20 ^{+0.000} / _{-0.074} | 75.00 ^{+0.12} / _{+0.00} | 24.83 |
| MPSA-075A | 59 | 75 | 20.5 | 20.50 ^{+0.20} / _{+0.00} | 3.10 ^{+0.10} / _{+0.00} | 59.00 ^{+0.000} / _{-0.074} | 71.00 ^{+0.000} / _{-0.074} | 75.00 ^{+0.12} / _{+0.00} | 20.48 |
| MPSA-080 | 60 | 80 | 22.4 | 22.40 ^{+0.20} / _{+0.00} | 6.35 ^{+0.10} / _{+0.00} | 60.00 ^{+0.000} / _{-0.074} | 74.20 ^{+0.000} / _{-0.074} | 80.00 ^{+0.12} / _{+0.00} | 27.11 |
| MPSA-080D | 60 | 80 | 25 | 25.00 ^{+0.20} / _{+0.00} | 6.35 ^{+0.10} / _{+0.00} | 60.00 ^{+0.000} / _{-0.074} | 75.00 ^{+0.000} / _{-0.074} | 80.00 ^{+0.12} / _{+0.00} | 27.11 |
| MPSA-080C | 62 | 80 | 22.5 | 22.50 ^{+0.20} / _{+0.00} | 3.60 ^{+0.10} / _{+0.00} | 62.00 ^{+0.000} / _{-0.074} | 76.00 ^{+0.000} / _{-0.074} | 80.00 ^{+0.12} / _{+0.00} | 27.11 |
| MPSA-080B | 65 | 80 | 20 | 20.00 ^{+0.20} / _{+0.00} | 5.00 ^{+0.10} / _{+0.00} | 65.00 ^{+0.000} / _{-0.074} | 76.00 ^{+0.000} / _{-0.074} | 80.00 ^{+0.12} / _{+0.00} | 20.56 |
| MPSA-080A | 66 | 80 | 22.5 | 22.50 ^{+0.20} / _{+0.00} | 5.20 ^{+0.10} / _{+0.00} | 66.00 ^{+0.000} / _{-0.074} | 76.00 ^{+0.000} / _{-0.074} | 80.00 ^{+0.12} / _{+0.00} | 27.11 |
| MPSA-085 | 65 | 85 | 22.4 | 22.40 ^{+0.20} / _{+0.00} | 6.35 ^{+0.10} / _{+0.00} | 65.00 ^{+0.000} / _{-0.074} | 79.20 ^{+0.000} / _{-0.074} | 85.00 ^{+0.14} / _{+0.00} | 28.17 |

NORTH AMERICA
PHONE 1-800-777-5617
FAX 1-800-759-6391

SALES OFFICE HOURS
8 A.M. TO 7:30 P.M. EASTERN TIME
www.HerculesUS.com

WORLDWIDE
PHONE 1-727-796-1300
FAX 1-727-797-8849



STYLE MPSA FIVE PIECE PISTON SEALS

| Part Number | A Nom. ID | B Nom. OD | C Nom. Ht | D SEAL GROOVE WIDTH | D ₁ BEARING GROOVE WIDTH | H GROOVE DIAMETER | H ₁ BEARING GROOVE DIAMETER | J BORE DIAMETER | List Price |
|-------------|-----------------|-----------------|-----------------|---------------------------|---|-------------------------|--|-----------------------|---------------|
| MPSA-090 | 70 | 90 | 22.4 | 22.40 +0.20 +0.00 | 6.35 +0.10 +0.00 | 70.00 +0.000 -0.074 | 84.20 +0.000 -0.087 | 90.00 +0.14 +0.00 | 31.37 |
| MPSA-090C | 72 | 90 | 22.5 | 22.50 +0.20 +0.00 | 3.60 +0.10 +0.00 | 72.00 +0.000 -0.074 | 86.00 +0.000 -0.087 | 90.00 +0.14 +0.00 | 22.32 |
| MPSA-090B | 76 | 90 | 22.5 | 22.50 +0.20 +0.00 | 5.20 +0.10 +0.00 | 76.00 +0.000 -0.074 | 86.00 +0.000 -0.087 | 90.00 +0.14 +0.00 | 31.37 |
| MPSA-092 | 82 | 92 | 12.5 | 12.50 +0.20 +0.00 | 6.35 +0.10 +0.00 | 82.00 +0.000 -0.087 | 88.00 +0.000 -0.087 | 92.00 +0.14 +0.00 | 42.44 |
| MPSA-095 | 75 | 95 | 22.4 | 22.40 +0.20 +0.00 | 6.35 +0.10 +0.00 | 75.00 +0.000 -0.074 | 89.15 +0.000 -0.087 | 95.00 +0.14 +0.00 | 43.86 |
| MPSA-100 | 75 | 100 | 22.4 | 22.40 +0.20 +0.00 | 6.35 +0.10 +0.00 | 75.00 +0.000 -0.074 | 93.20 +0.000 -0.087 | 100.00 +0.14 +0.00 | 33.89 |
| MPSA-100B | 80 | 100 | 25 | 25.00 +0.20 +0.00 | 6.30 +0.10 +0.00 | 80.00 +0.000 -0.074 | 94.15 +0.000 -0.087 | 100.00 +0.14 +0.00 | 33.89 |
| MPSA-100E | 82 | 100 | 22.5 | 22.50 +0.20 +0.00 | 3.60 +0.10 +0.00 | 82.00 +0.000 -0.087 | 96.00 +0.000 -0.087 | 100.00 +0.14 +0.00 | 25.42 |
| MPSA-100A | 85 | 100 | 20 | 20.00 +0.35 +0.10 | 5.00 +0.10 +0.00 | 85.00 +0.000 -0.087 | 96.00 +0.000 -0.087 | 100.00 +0.14 +0.00 | 44.94 |
| MPSA-100F | 86 | 100 | 22.5 | 22.50 +0.20 +0.00 | 5.20 +0.10 +0.00 | 86.00 +0.000 -0.087 | 96.00 +0.000 -0.087 | 100.00 +0.14 +0.00 | 25.42 |
| MPSA-105 | 80 | 105 | 22.5 | 22.50 +0.20 +0.00 | 6.35 +0.10 +0.00 | 80.00 +0.000 -0.074 | 98.10 +0.000 -0.087 | 105.00 +0.14 +0.00 | 35.61 |
| MPSA-105A | 92.5 | 105 | 14.3 | 14.30 +0.20 +0.00 | 6.35 +0.10 +0.00 | 92.50 +0.000 -0.087 | 98.80 +0.000 -0.087 | 105.00 +0.14 +0.00 | 51.30 |
| MPSA-110 | 85 | 110 | 22.4 | 22.40 +0.20 +0.00 | 6.35 +0.10 +0.00 | 85.00 +0.000 -0.087 | 103.10 +0.000 -0.087 | 110.00 +0.14 +0.00 | 37.49 |
| MPSA-110A | 85 | 110 | 25 | 25.00 +0.20 +0.00 | 6.35 +0.10 +0.00 | 85.00 +0.000 -0.087 | 103.00 +0.000 -0.087 | 110.00 +0.14 +0.00 | 37.49 |
| MPSA-110C | 90 | 110 | 25.3 | 25.30 +0.20 +0.00 | 6.40 +0.10 +0.00 | 90.00 +0.000 -0.087 | 104.10 +0.000 -0.087 | 110.00 +0.14 +0.00 | 30.02 |
| MPSA-110D | 92 | 110 | 22.5 | 22.50 +0.20 +0.00 | 3.60 +0.10 +0.00 | 92.00 +0.000 -0.087 | 106.00 +0.000 -0.087 | 110.00 +0.14 +0.00 | 26.59 |
| MPSA-110E | 95 | 110 | 20 | 20.00 +0.20 +0.00 | 5.00 +0.10 +0.00 | 95.00 +0.000 -0.087 | 105.00 +0.000 -0.087 | 110.00 +0.14 +0.00 | 27.07 |
| MPSA-110B | 96 | 110 | 22.5 | 22.50 +0.20 +0.00 | 5.20 +0.10 +0.00 | 96.00 +0.000 -0.087 | 106.00 +0.000 -0.087 | 110.00 +0.14 +0.00 | 26.58 |
| MPSA-115 | 90 | 115 | 22.4 | 22.40 +0.20 +0.00 | 6.35 +0.10 +0.00 | 90.00 +0.000 -0.087 | 108.10 +0.000 -0.087 | 115.00 +0.14 +0.00 | 38.94 |
| MPSA-115B | 97 | 115 | 22.5 | 22.50 +0.20 +0.00 | 3.60 +0.10 +0.00 | 97.00 +0.000 -0.087 | 111.00 +0.000 -0.087 | 115.00 +0.14 +0.00 | 39.91 |
| MPSA-120 | 95 | 120 | 22.4 | 22.40 +0.20 +0.00 | 6.35 +0.10 +0.00 | 95.00 +0.000 -0.087 | 113.10 +0.000 -0.087 | 120.00 +0.14 +0.00 | 39.89 |
| MPSA-120B | 106 | 120 | 22.5 | 22.50 +0.20 +0.00 | 5.20 +0.10 +0.00 | 106.00 +0.000 -0.087 | 116.00 +0.000 -0.087 | 120.00 +0.14 +0.00 | 40.32 |
| MPSA-125 | 100 | 125 | 25.4 | 25.40 +0.20 +0.00 | 6.35 +0.10 +0.00 | 100.00 +0.000 -0.087 | 118.00 +0.000 -0.087 | 125.00 +0.16 +0.00 | 40.67 |
| MPSA-125G | 100 | 125 | 45 | 45.00 +0.20 +0.00 | 12.70 +0.10 +0.00 | 100.00 +0.000 -0.087 | 116.80 +0.000 -0.087 | 125.00 +0.16 +0.00 | 104.63 |
| MPSA-125E | 103 | 125 | 26.5 | 26.50 +0.20 +0.00 | 5.10 +0.10 +0.00 | 103.00 +0.000 -0.087 | 121.00 +0.00 -0.10 | 125.00 +0.16 +0.00 | 42.41 |
| MPSA-125A | 105 | 125 | 25 | 25.00 +0.35 +0.10 | 6.30 +0.10 +0.00 | 105.00 +0.000 -0.087 | 120.00 +0.000 -0.087 | 125.00 +0.16 +0.00 | 70.90 |
| MPSA-125F | 108 | 125 | 26.5 | 26.50 +0.20 +0.00 | 7.20 +0.10 +0.00 | 108.00 +0.000 -0.087 | 121.00 +0.00 -0.10 | 125.00 +0.16 +0.00 | 42.41 |
| MPSA-130 | 105 | 130 | 25.4 | 25.40 +0.20 +0.00 | 9.52 +0.10 +0.00 | 105.00 +0.000 -0.087 | 122.60 +0.00 -0.10 | 130.00 +0.16 +0.00 | 43.86 |
| MPSA-135 | 110 | 135 | 25.4 | 25.40 +0.20 +0.00 | 6.35 +0.10 +0.00 | 110.00 +0.000 -0.087 | 128.10 +0.00 -0.10 | 135.00 +0.16 +0.00 | 44.64 |
| MPSA-140 | 115 | 140 | 25.4 | 25.40 +0.20 +0.00 | 9.52 +0.10 +0.00 | 115.00 +0.000 -0.087 | 132.60 +0.00 -0.10 | 140.00 +0.16 +0.00 | 44.64 |
| MPSA-140B | 115 | 140 | 25.4 | 25.40 +0.20 +0.00 | 6.35 +0.10 +0.00 | 115.00 +0.000 -0.087 | 133.00 +0.00 -0.10 | 140.00 +0.16 +0.00 | 44.64 |
| MPSA-140A | 115 | 140 | 45 | 45.00 +0.20 +0.00 | 12.70 +0.10 +0.00 | 115.00 +0.000 -0.087 | 131.70 +0.00 -0.10 | 140.00 +0.16 +0.00 | 94.27 |
| MPSA-140E | 118 | 140 | 26.5 | 26.50 +0.20 +0.00 | 5.10 +0.10 +0.00 | 118.00 +0.000 -0.087 | 136.00 +0.00 -0.10 | 140.00 +0.16 +0.00 | 27.38 |

PISTON SEAL ASSEMBLIES

FORMERLY LISTED SEALS ARE AVAILABLE ONLINE AT WWW.HERCULESUS.COM
OR BY CONTACTING YOUR REGIONAL HERCULES SALES TEAM.



STYLE MPSA FIVE PIECE PISTON SEALS

PISTON SEAL ASSEMBLIES

| Part Number | A Nom. ID | B Nom. OD | C Nom. Ht | D SEAL GROOVE WIDTH | D ₁ BEARING GROOVE WIDTH | H GROOVE DIAMETER | H ₁ BEARING GROOVE DIAMETER | J BORE DIAMETER | List Price |
|-------------|-----------------|-----------------|-----------------|---|---|--|--|--|---------------|
| MPSA-140C | 120 | 140 | 25 | 25.00 ^{+0.20} / _{+0.00} | 6.35 ^{+0.10} / _{+0.00} | 120.00 ^{+0.000} / _{-0.087} | 135.00 ^{+0.00} / _{-0.10} | 140.00 ^{+0.16} / _{+0.00} | 44.64 |
| MPSA-140F | 123 | 140 | 26.5 | 26.50 ^{+0.20} / _{+0.00} | 7.20 ^{+0.10} / _{+0.00} | 123.00 ^{+0.00} / _{-0.10} | 136.00 ^{+0.00} / _{-0.10} | 140.00 ^{+0.16} / _{+0.00} | 54.91 |
| MPSA-145 | 120 | 145 | 25.4 | 25.40 ^{+0.20} / _{+0.00} | 9.52 ^{+0.10} / _{+0.00} | 120.00 ^{+0.000} / _{-0.087} | 137.60 ^{+0.00} / _{-0.10} | 145.00 ^{+0.16} / _{+0.00} | 54.05 |
| MPSA-150 | 125 | 150 | 25.4 | 25.40 ^{+0.20} / _{+0.00} | 9.52 ^{+0.10} / _{+0.00} | 125.00 ^{+0.00} / _{-0.10} | 142.60 ^{+0.00} / _{-0.10} | 150.00 ^{+0.16} / _{+0.00} | 51.30 |
| MPSA-150D | 125 | 150 | 25.5 | 25.50 ^{+0.20} / _{+0.00} | 6.35 ^{+0.10} / _{+0.00} | 125.00 ^{+0.00} / _{-0.10} | 143.00 ^{+0.00} / _{-0.10} | 150.00 ^{+0.16} / _{+0.00} | 38.39 |
| MPSA-150A | 125 | 150 | 45 | 45.00 ^{+0.20} / _{+0.00} | 12.70 ^{+0.10} / _{+0.00} | 125.00 ^{+0.00} / _{-0.10} | 141.70 ^{+0.00} / _{-0.10} | 150.00 ^{+0.16} / _{+0.00} | 99.05 |
| MPSA-150B | 128 | 150 | 26.5 | 26.50 ^{+0.20} / _{+0.00} | 5.10 ^{+0.10} / _{+0.00} | 128.00 ^{+0.00} / _{-0.10} | 146.00 ^{+0.00} / _{-0.10} | 150.00 ^{+0.16} / _{+0.00} | 55.25 |
| MPSA-150C | 133 | 150 | 26.5 | 26.50 ^{+0.20} / _{+0.00} | 7.20 ^{+0.10} / _{+0.00} | 133.00 ^{+0.00} / _{-0.10} | 146.00 ^{+0.00} / _{-0.10} | 150.00 ^{+0.16} / _{+0.00} | 34.71 |
| MPSA-160A | 130 | 160 | 25.4 | 25.40 ^{+0.20} / _{+0.00} | 6.35 ^{+0.10} / _{+0.00} | 130.00 ^{+0.00} / _{-0.10} | 153.00 ^{+0.00} / _{-0.10} | 160.00 ^{+0.16} / _{+0.00} | 59.00 |
| MPSA-160F | 130 | 160 | 25.4 | 25.40 ^{+0.20} / _{+0.00} | 9.50 ^{+0.10} / _{+0.00} | 130.00 ^{+0.00} / _{-0.10} | 152.60 ^{+0.00} / _{-0.10} | 160.00 ^{+0.16} / _{+0.00} | 59.00 |
| MPSA-160 | 135 | 160 | 25.4 | 25.40 ^{+0.20} / _{+0.00} | 9.50 ^{+0.10} / _{+0.00} | 135.00 ^{+0.00} / _{-0.10} | 152.60 ^{+0.00} / _{-0.10} | 160.00 ^{+0.16} / _{+0.00} | 46.55 |
| MPSA-160H | 135 | 160 | 32 | 32.00 ^{+0.20} / _{+0.00} | 10.00 ^{+0.10} / _{+0.00} | 135.00 ^{+0.00} / _{-0.10} | 154.00 ^{+0.00} / _{-0.10} | 160.00 ^{+0.16} / _{+0.00} | 151.33 |
| MPSA-160D | 138 | 160 | 26.5 | 26.50 ^{+0.20} / _{+0.00} | 5.10 ^{+0.10} / _{+0.00} | 138.00 ^{+0.00} / _{-0.10} | 156.00 ^{+0.00} / _{-0.10} | 160.00 ^{+0.16} / _{+0.00} | 213.61 |
| MPSA-160B | 140 | 160 | 25 | 25.00 ^{+0.20} / _{+0.00} | 6.35 ^{+0.10} / _{+0.00} | 140.00 ^{+0.00} / _{-0.10} | 155.00 ^{+0.00} / _{-0.10} | 160.00 ^{+0.16} / _{+0.00} | 59.00 |
| MPSA-165A | 140 | 165 | 25.3 | 25.30 ^{+0.20} / _{+0.00} | 9.50 ^{+0.10} / _{+0.00} | 140.00 ^{+0.00} / _{-0.10} | 157.60 ^{+0.00} / _{-0.10} | 165.00 ^{+0.16} / _{+0.00} | 80.01 |
| MPSA-170A | 140 | 170 | 25 | 25.00 ^{+0.20} / _{+0.00} | 6.35 ^{+0.10} / _{+0.00} | 140.00 ^{+0.00} / _{-0.10} | 163.00 ^{+0.00} / _{-0.10} | 170.00 ^{+0.16} / _{+0.00} | 144.76 |
| MPSA-170 | 145 | 170 | 25.3 | 25.30 ^{+0.20} / _{+0.00} | 12.70 ^{+0.10} / _{+0.00} | 145.00 ^{+0.00} / _{-0.10} | 161.70 ^{+0.00} / _{-0.10} | 170.00 ^{+0.16} / _{+0.00} | 66.97 |
| MPSA-175B | 150 | 175 | 25.4 | 25.40 ^{+0.20} / _{+0.00} | 12.70 ^{+0.10} / _{+0.00} | 150.00 ^{+0.00} / _{-0.10} | 166.70 ^{+0.00} / _{-0.10} | 175.00 ^{+0.16} / _{+0.00} | 51.83 |
| MPSA-180A | 150 | 180 | 35.4 | 35.40 ^{+0.20} / _{+0.00} | 6.35 ^{+0.10} / _{+0.00} | 150.00 ^{+0.00} / _{-0.10} | 173.00 ^{+0.00} / _{-0.10} | 180.00 ^{+0.16} / _{+0.00} | 77.35 |
| MPSA-180 | 155 | 180 | 25.4 | 25.40 ^{+0.20} / _{+0.00} | 12.70 ^{+0.10} / _{+0.00} | 155.00 ^{+0.00} / _{-0.10} | 171.70 ^{+0.00} / _{-0.10} | 180.00 ^{+0.16} / _{+0.00} | 77.35 |
| MPSA-180B | 158 | 180 | 26.5 | 26.50 ^{+0.20} / _{+0.00} | 5.10 ^{+0.10} / _{+0.00} | 158.00 ^{+0.00} / _{-0.10} | 176.00 ^{+0.00} / _{-0.10} | 180.00 ^{+0.16} / _{+0.00} | 196.91 |
| MPSA-180C | 163 | 180 | 26.5 | 26.50 ^{+0.20} / _{+0.00} | 7.20 ^{+0.10} / _{+0.00} | 163.00 ^{+0.00} / _{-0.10} | 176.00 ^{+0.00} / _{-0.10} | 180.00 ^{+0.16} / _{+0.00} | 64.14 |
| MPSA-185 | 160 | 185 | 25.3 | 25.30 ^{+0.20} / _{+0.00} | 12.70 ^{+0.10} / _{+0.00} | 160.00 ^{+0.00} / _{-0.10} | 176.70 ^{+0.00} / _{-0.10} | 185.00 ^{+0.185} / _{+0.000} | 163.94 |
| MPSA-190 | 165 | 190 | 25.4 | 25.40 ^{+0.20} / _{+0.00} | 12.70 ^{+0.10} / _{+0.00} | 165.00 ^{+0.00} / _{-0.10} | 181.70 ^{+0.000} / _{-0.115} | 190.00 ^{+0.185} / _{+0.000} | 86.09 |
| MPSA-195 | 170 | 195 | 25.4 | 25.40 ^{+0.20} / _{+0.00} | 12.70 ^{+0.10} / _{+0.00} | 170.00 ^{+0.00} / _{-0.10} | 187.10 ^{+0.000} / _{-0.115} | 195.00 ^{+0.185} / _{+0.000} | 87.08 |
| MPSA-200A | 170 | 200 | 35.4 | 35.40 ^{+0.20} / _{+0.00} | 6.35 ^{+0.10} / _{+0.00} | 170.00 ^{+0.00} / _{-0.10} | 193.00 ^{+0.000} / _{-0.115} | 200.00 ^{+0.185} / _{+0.000} | 61.79 |
| MPSA-200D | 170 | 200 | 36 | 36.00 ^{+0.20} / _{+0.00} | 12.70 ^{+0.10} / _{+0.00} | 170.00 ^{+0.00} / _{-0.10} | 193.00 ^{+0.000} / _{-0.115} | 200.00 ^{+0.185} / _{+0.000} | 63.18 |
| MPSA-200 | 175 | 200 | 25.4 | 25.40 ^{+0.20} / _{+0.00} | 12.70 ^{+0.10} / _{+0.00} | 175.00 ^{+0.00} / _{-0.10} | 191.60 ^{+0.000} / _{-0.115} | 200.00 ^{+0.185} / _{+0.000} | 64.52 |
| MPSA-200B | 175 | 200 | 45 | 45.00 ^{+0.20} / _{+0.00} | 12.70 ^{+0.10} / _{+0.00} | 175.00 ^{+0.00} / _{-0.10} | 191.60 ^{+0.000} / _{-0.115} | 200.00 ^{+0.185} / _{+0.000} | 149.30 |
| MPSA-200F | 180 | 200 | 31.5 | 31.50 ^{+0.20} / _{+0.00} | 9.20 ^{+0.10} / _{+0.00} | 180.00 ^{+0.00} / _{-0.10} | 196.00 ^{+0.000} / _{-0.115} | 200.00 ^{+0.185} / _{+0.000} | 37.02 |
| MPSA-210 | 185 | 210 | 25.4 | 25.40 ^{+0.20} / _{+0.00} | 12.70 ^{+0.10} / _{+0.00} | 185.00 ^{+0.000} / _{-0.115} | 201.60 ^{+0.000} / _{-0.115} | 210.00 ^{+0.185} / _{+0.000} | 62.38 |
| MPSA-220A | 195 | 220 | 25.7 | 25.70 ^{+0.20} / _{+0.00} | 12.70 ^{+0.10} / _{+0.00} | 195.00 ^{+0.000} / _{-0.115} | 211.60 ^{+0.000} / _{-0.115} | 220.00 ^{+0.185} / _{+0.000} | 93.29 |
| MPSA-225 | 200 | 225 | 25.4 | 25.40 ^{+0.20} / _{+0.00} | 12.70 ^{+0.10} / _{+0.00} | 200.00 ^{+0.000} / _{-0.115} | 216.60 ^{+0.000} / _{-0.115} | 225.00 ^{+0.185} / _{+0.000} | 38.48 |

NORTH AMERICA
PHONE 1-800-777-5617
FAX 1-800-759-6391

SALES OFFICE HOURS
8 A.M. TO 7:30 P.M. EASTERN TIME
www.HerculesUS.com

WORLDWIDE
PHONE 1-727-796-1300
FAX 1-727-797-8849



STYLE MPSA FIVE PIECE PISTON SEALS

| Part Number | A Nom. ID | B Nom. OD | C Nom. Ht | D SEAL GROOVE WIDTH | D ₁ BEARING GROOVE WIDTH | H GROOVE DIAMETER | H ₁ BEARING GROOVE DIAMETER | J BORE DIAMETER | List Price |
|-------------|-----------------|-----------------|-----------------|---|---|--|--|--|---------------|
| MPSA-230 | 205 | 230 | 25.3 | 25.30 ^{+0.20} / _{+0.00} | 12.70 ^{+0.10} / _{+0.00} | 205.00 ^{+0.000} / _{-0.115} | 221.60 ^{+0.000} / _{-0.115} | 230.00 ^{+0.185} / _{+0.000} | 64.85 |
| MPSA-240 | 215 | 240 | 25.3 | 25.30 ^{+0.20} / _{+0.00} | 12.70 ^{+0.10} / _{+0.00} | 215.00 ^{+0.000} / _{-0.115} | 231.60 ^{+0.000} / _{-0.115} | 240.00 ^{+0.185} / _{+0.000} | 46.37 |
| MPSA-250C | 220 | 250 | 35.3 | 35.30 ^{+0.20} / _{+0.00} | 6.40 ^{+0.10} / _{+0.00} | 220.00 ^{+0.000} / _{-0.115} | 243.00 ^{+0.000} / _{-0.115} | 250.00 ^{+0.185} / _{+0.000} | 126.97 |
| MPSA-250D | 225 | 250 | 25.3 | 25.30 ^{+0.20} / _{+0.00} | 12.70 ^{+0.10} / _{+0.00} | 225.00 ^{+0.000} / _{-0.115} | 241.60 ^{+0.000} / _{-0.115} | 250.00 ^{+0.185} / _{+0.000} | 44.03 |
| MPSA-250A | 225 | 250 | 31.5 | 31.50 ^{+0.20} / _{+0.00} | 6.60 ^{+0.10} / _{+0.00} | 225.00 ^{+0.000} / _{-0.115} | 246.00 ^{+0.000} / _{-0.115} | 250.00 ^{+0.185} / _{+0.000} | 72.72 |
| MPSA-250B | 230 | 250 | 31.5 | 31.50 ^{+0.20} / _{+0.00} | 9.20 ^{+0.10} / _{+0.00} | 230.00 ^{+0.000} / _{-0.115} | 246.00 ^{+0.000} / _{-0.072} | 250.00 ^{+0.185} / _{+0.000} | 64.73 |
| MPSA-260 | 235 | 260 | 35.1 | 35.10 ^{+0.20} / _{+0.00} | 12.70 ^{+0.10} / _{+0.00} | 235.00 ^{+0.000} / _{-0.115} | 252.90 ^{+0.00} / _{-0.13} | 260.00 ^{+0.21} / _{+0.00} | 92.54 |
| MPSA-280 | 250 | 280 | 36.3 | 36.30 ^{+0.20} / _{+0.00} | 10.00 ^{+0.10} / _{+0.00} | 250.00 ^{+0.000} / _{-0.115} | 273.00 ^{+0.00} / _{-0.13} | 280.00 ^{+0.21} / _{+0.00} | 134.28 |

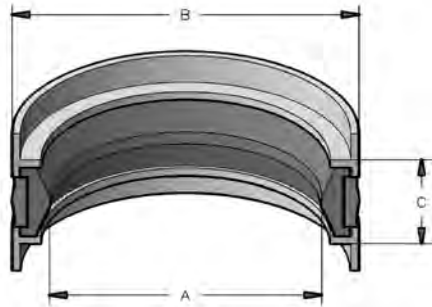
PISTON SEAL ASSEMBLIES

Seal color may vary. Special order sizes are available. Please call your regional sales team for assistance.

FORMERLY LISTED SEALS ARE AVAILABLE ONLINE AT WWW.HERCULESUS.COM
OR BY CONTACTING YOUR REGIONAL HERCULES SALES TEAM.

STYLE MPSB THREE PIECE PISTON SEALS

Incorporating a nitrile / fabric seal with two split bearings, this assembly affords low friction and high strength for one or two piece pistons.

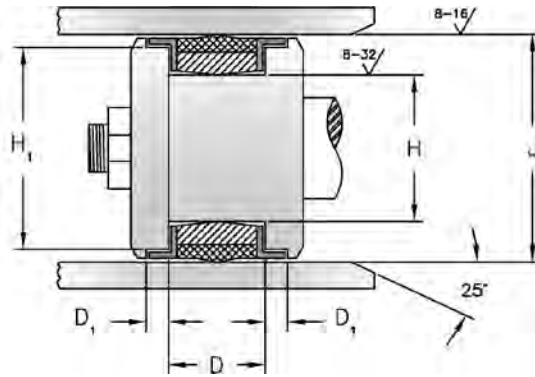


HERCULES PART NUMBERS

MPSB - 032B
 /
 Type of Seal Bore Diameter

SEAL INFORMATION

| | |
|-------------------|---|
| MATERIAL | 70A NBR / FABRIC SEAL OD 70A NBR SEAL ID ACETAL BEARING |
| TEMPERATURE RANGE | -22° TO +212° F |
| PRESSURE RANGE | 0 TO 5,000 PSI |
| SPEED | 1.5 FT/SEC |

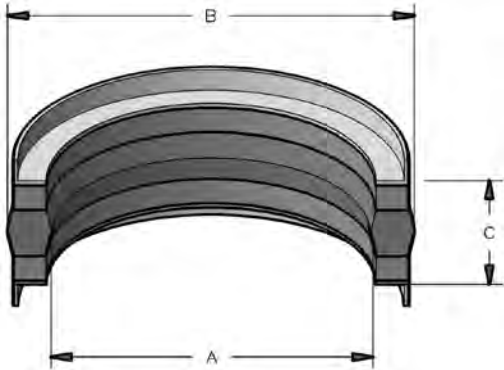


| Part Number | A Nom. ID | B Nom. OD | C Nom. Ht | D SEAL GROOVE WIDTH | D ₁ BEARING GROOVE WIDTH | H GROOVE DIAMETER | H ₁ BEARING GROOVE DIAMETER | J BORE DIAMETER | List Price |
|-------------|-----------------|-----------------|-----------------|---------------------------|---|----------------------------|--|--------------------------|---------------|
| MPSB-032B | 24 | 32 | 16.4 | 10.00 +0.20 +0.00 | 3.20 +0.10 +0.00 | 24.00 +0.000 -0.052 | 29.00 +0.000 -0.052 | 32.00 +0.10 +0.00 | \$24.90 |
| MPSB-050A | 38 | 50 | 28.9 | 20.50 +0.20 +0.00 | 4.20 +0.10 +0.00 | 38.00 +0.000 -0.062 | 46.00 +0.000 -0.062 | 50.00 +0.10 +0.00 | 16.55 |
| MPSB-060B | 48 | 60 | 28.9 | 20.50 +0.20 +0.00 | 4.20 +0.10 +0.00 | 48.00 +0.000 -0.062 | 56.00 +0.000 -0.074 | 60.00 +0.12 +0.00 | 28.38 |
| MPSB-070 | 58 | 70 | 28.9 | 20.50 +0.20 +0.00 | 4.20 +0.10 +0.00 | 58.00 +0.000 -0.074 | 66.00 +0.000 -0.074 | 70.00 +0.12 +0.00 | 26.02 |
| MPSB-080 | 66 | 80 | 32.9 | 22.50 +0.20 +0.00 | 5.20 +0.10 +0.00 | 66.00 +0.000 -0.074 | 76.00 +0.000 -0.074 | 80.00 +0.12 +0.00 | 33.23 |
| MPSB-090B | 76 | 90 | 32.9 | 22.50 +0.20 +0.00 | 5.20 +0.10 +0.00 | 76.00 +0.000 -0.074 | 86.00 +0.000 -0.087 | 90.00 +0.14 +0.00 | 26.97 |
| MPSB-100F | 86 | 100 | 32.9 | 22.50 +0.20 +0.00 | 5.20 +0.10 +0.00 | 86.00 +0.000 -0.087 | 96.00 +0.000 -0.087 | 100.00 +0.14 +0.00 | 36.84 |
| MPSB-110B | 96 | 110 | 32.9 | 22.50 +0.20 +0.00 | 5.20 +0.10 +0.00 | 96.00 +0.000 -0.087 | 106.00 +0.000 -0.087 | 110.00 +0.14 +0.00 | 49.82 |
| MPSB-120B | 106 | 120 | 32.9 | 22.50 +0.20 +0.00 | 5.20 +0.10 +0.00 | 106.00 +0.000 -0.087 | 116.00 +0.000 -0.087 | 120.00 +0.14 +0.00 | 42.28 |
| MPSB-125F | 108 | 125 | 40.9 | 26.50 +0.20 +0.00 | 7.20 +0.10 +0.00 | 108.00 +0.000 -0.087 | 121.00 +0.00 -0.10 | 125.00 +0.16 +0.00 | 63.55 |
| MPSB-150 | 133 | 150 | 40.9 | 26.50 +0.20 +0.00 | 7.20 +0.10 +0.00 | 133.00 +0.00 -0.10 | 146.00 +0.00 -0.10 | 150.00 +0.16 +0.00 | 43.83 |
| MPSB-160 | 143 | 160 | 40.9 | 26.50 +0.20 +0.00 | 7.20 +0.10 +0.00 | 143.00 +0.00 -0.10 | 156.00 +0.00 -0.10 | 160.00 +0.16 +0.00 | 91.82 |
| MPSB-180 | 163 | 180 | 40.9 | 26.50 +0.20 +0.00 | 7.20 +0.10 +0.00 | 163.00 +0.00 -0.10 | 176.00 +0.00 -0.10 | 180.00 +0.16 +0.00 | 159.46 |

Seal color may vary. Special order sizes are available. Please call your regional sales team for assistance.

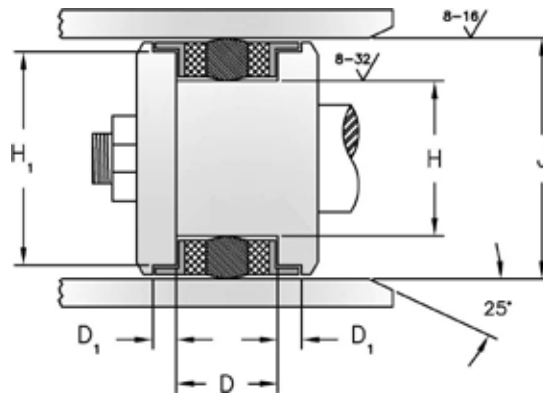
STYLE MPSA-58 THREE PIECE PISTON SEALS

This style is designed for two piece pistons. The seal is a molded Nitrile rubber element with bonded rubberized fabric reinforcements and two anti-extrusion polyacetal bearings.



HERCULES PART NUMBERS

MPSA-58 - 040
 Type of Seal | Bore Diameter



| SEAL INFORMATION | |
|-------------------|---|
| MATERIAL | 70A NBR / FABRIC SEAL ACETAL BEARING / BACK-UP |
| TEMPERATURE RANGE | -22° TO +212° F |
| PRESSURE RANGE | 0 TO 5,000 PSI |
| SPEED | 1.5 FT/SEC |

PISTON SEAL ASSEMBLIES

| Part Number | A Nom. ID | B Nom. OD | C Nom. Ht | D SEAL GROOVE WIDTH | D ₁ BEARING GROOVE WIDTH | H GROOVE DIAMETER | H ₁ BEARING GROOVE DIAMETER | J BORE DIAMETER | List Price |
|--------------|-----------------|-----------------|-----------------|---------------------------|---|-------------------------|--|-----------------------|---------------|
| MPSA-58-040 | 25 | 40 | 24 | 24.00 +0.20 +0.00 | 6.00 +0.10 +0.00 | 25.00 ±0.065 | 34.80 ±0.05 | 40.00 +0.16 +0.00 | \$23.22 |
| MPSA-58-050A | 35 | 50 | 24 | 24.00 +0.20 +0.00 | 6.00 +0.10 +0.00 | 35.00 ±0.08 | 44.80 ±0.05 | 50.00 +0.16 +0.00 | 15.77 |
| MPSA-58-055 | 40 | 55 | 24 | 24.00 +0.20 +0.00 | 5.90 +0.10 +0.00 | 40.00 ±0.08 | 49.80 ±0.05 | 55.00 +0.19 +0.00 | 18.71 |
| MPSA-58-060 | 40 | 60 | 31 | 31.00 +0.20 +0.00 | 7.00 +0.10 +0.00 | 40.00 ±0.08 | 53.80 ±0.05 | 60.00 +0.19 +0.00 | 20.97 |
| MPSA-58-063B | 48 | 63 | 24 | 24.00 +0.20 +0.00 | 6.00 +0.10 +0.00 | 48.00 ±0.08 | 57.80 ±0.05 | 63.00 +0.19 +0.00 | 19.58 |
| MPSA-58-070 | 50 | 70 | 31 | 31.00 +0.20 +0.00 | 7.00 +0.10 +0.00 | 50.00 ±0.08 | 63.80 ±0.05 | 70.00 +0.19 +0.00 | 28.52 |
| MPSA-58-080A | 60 | 80 | 31 | 31.00 +0.20 +0.00 | 7.00 +0.10 +0.00 | 60.00 ±0.095 | 73.80 ±0.05 | 80.00 +0.19 +0.00 | 25.90 |
| MPSA-58-090A | 70 | 90 | 31 | 31.00 +0.20 +0.00 | 7.00 +0.10 +0.00 | 70.00 ±0.095 | 83.80 ±0.05 | 90.00 +0.22 +0.00 | 32.32 |
| MPSA-58-100 | 80 | 100 | 31 | 31.00 +0.20 +0.00 | 7.00 +0.10 +0.00 | 80.00 ±0.095 | 93.80 ±0.05 | 100.00 +0.22 +0.00 | 30.17 |
| MPSA-58-100C | 86 | 100 | 22.5 | 22.50 +0.20 +0.00 | 5.20 +0.10 +0.00 | 86.00 ±0.11 | 96.00 ±0.05 | 100.00 +0.22 +0.00 | 23.59 |
| MPSA-58-110 | 90 | 110 | 31 | 31.00 +0.20 +0.00 | 7.00 +0.10 +0.00 | 90.00 ±0.11 | 103.80 ±0.05 | 110.00 +0.22 +0.00 | 54.91 |
| MPSA-58-120 | 100 | 120 | 31 | 31.00 +0.20 +0.00 | 7.00 +0.10 +0.00 | 100.00 ±0.11 | 113.80 ±0.05 | 120.00 +0.22 +0.00 | 41.65 |
| MPSA-58-125A | 100 | 125 | 38 | 38.00 +0.20 +0.00 | 9.50 +0.10 +0.00 | 100.00 ±0.11 | 118.80 ±0.05 | 125.00 +0.25 +0.00 | 44.03 |
| MPSA-58-125D | 108 | 125 | 26.5 | 26.50 +0.20 +0.00 | 7.20 +0.10 +0.00 | 108.00 ±0.11 | 121.00 ±0.05 | 125.00 +0.25 +0.00 | 29.95 |

FORMERLY LISTED SEALS ARE AVAILABLE ONLINE AT WWW.HERCULESUS.COM
 OR BY CONTACTING YOUR REGIONAL HERCULES SALES TEAM.



STYLE MPSA-58 THREE PIECE PISTON SEALS

| Part Number | A Nom. ID | B Nom. OD | C Nom. Ht | D SEAL GROOVE WIDTH | D ₁ BEARING GROOVE WIDTH | H GROOVE DIAMETER | H ₁ BEARING GROOVE DIAMETER | J BORE DIAMETER | List Price |
|--------------|-----------------|-----------------|-----------------|---|---|-------------------------|--|--|---------------|
| MPSA-58-140 | 120 | 140 | 31 | 31.00 ^{+0.20} / _{+0.00} | 7.00 ^{+0.10} / _{+0.00} | 120.00 ±0.11 | 133.80 ±0.05 | 140.00 ^{+0.25} / _{+0.00} | 80.91 |
| MPSA-58-150 | 120 | 150 | 44 | 44.00 ^{+0.20} / _{+0.00} | 9.50 ^{+0.10} / _{+0.00} | 120.00 ±0.11 | 143.90 ±0.05 | 150.00 ^{+0.25} / _{+0.00} | 181.61 |
| MPSA-58-160C | 140 | 160 | 25 | 25.00 ^{+0.20} / _{+0.00} | 6.35 ^{+0.10} / _{+0.00} | 140.00 ±0.125 | 153.90 ±0.05 | 160.00 ^{+0.25} / _{+0.00} | 60.18 |
| MPSA-58-160A | 140 | 160 | 31 | 31.00 ^{+0.20} / _{+0.00} | 7.00 ^{+0.10} / _{+0.00} | 140.00 ±0.125 | 153.90 ±0.05 | 160.00 ^{+0.25} / _{+0.00} | 163.92 |
| MPSA-58-190 | 160 | 190 | 44 | 44.00 ^{+0.20} / _{+0.00} | 8.50 ^{+0.10} / _{+0.00} | 160.00 ±0.125 | 183.90 ±0.05 | 190.00 ^{+0.29} / _{+0.00} | 158.71 |
| MPSA-58-200 | 170 | 200 | 35.4 | 35.40 ^{+0.20} / _{+0.00} | 6.35 ^{+0.10} / _{+0.00} | 170.00 ±0.125 | 193.00 ±0.05 | 200.00 ^{+0.29} / _{+0.00} | 97.52 |
| MPSA-58-220 | 200 | 220 | 31.5 | 31.50 ^{+0.20} / _{+0.00} | 9.50 ^{+0.10} / _{+0.00} | 200.00 ±0.145 | 216.00 ±0.05 | 220.00 ^{+0.29} / _{+0.00} | 46.95 |

PISTON SEAL ASSEMBLIES

Seal color may vary. Special order sizes are available. Please call your regional sales team for assistance.

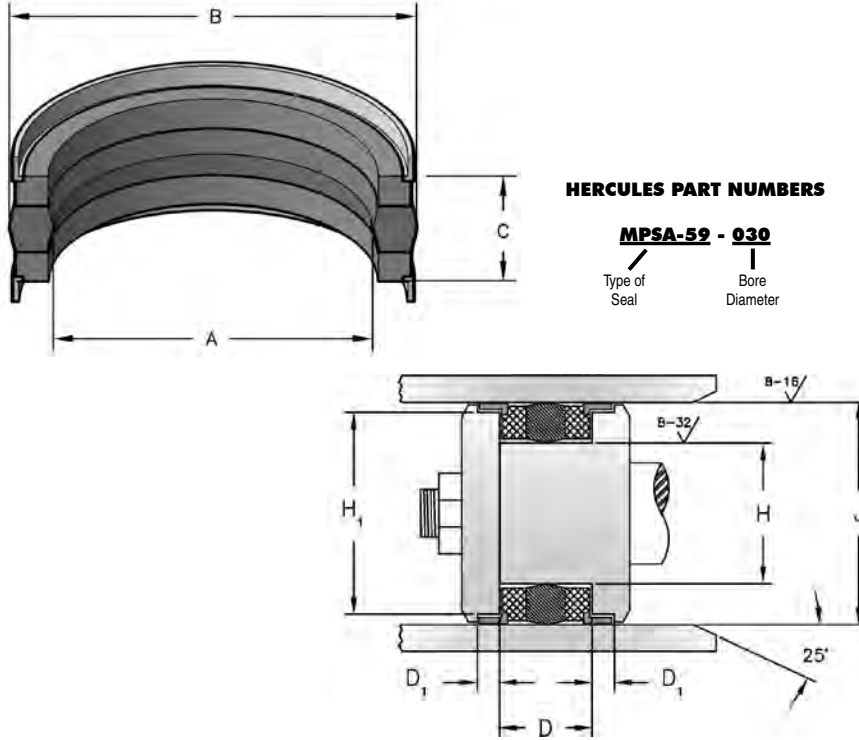
NORTH AMERICA
PHONE 1-800-777-5617
FAX 1-800-759-6391

SALES OFFICE HOURS
8 A.M. TO 7:30 P.M. EASTERN TIME
www.HerculesUS.com

WORLDWIDE
PHONE 1-727-796-1300
FAX 1-727-797-8849

STYLE MPSA-59 THREE PIECE PISTON SEALS

This style is designed for two piece pistons. The seal is a molded Nitrile rubber element with bonded rubberized fabric reinforcements and two anti-extrusion polyacetal bearings.



| SEAL INFORMATION | |
|-------------------|---|
| MATERIAL | 70A NBR / FABRIC SEAL ACETAL BEARING / BACK-UP |
| TEMPERATURE RANGE | -22° TO +212° F |
| PRESSURE RANGE | 0 TO 5,000 PSI |
| SPEED | 1.5 FT/SEC |

| Part Number | A Nom. ID | B Nom. OD | C Nom. Ht | D SEAL GROOVE WIDTH | D ₁ BEARING GROOVE WIDTH | H GROOVE DIAMETER | H ₁ BEARING GROOVE DIAMETER | J BORE DIAMETER | List Price |
|--------------|-----------------|-----------------|-----------------|---|---|-------------------------|--|--|---------------|
| MPSA-59-030 | 17 | 30 | 15.4 | 15.40 ^{+0.20} / _{+0.00} | 6.35 ^{+0.10} / _{+0.00} | 17.00 ±0.055 | 26.50 ±0.05 | 30.00 ^{+0.13} / _{+0.00} | \$20.02 |
| MPSA-59-040 | 24 | 40 | 18.4 | 18.40 ^{+0.20} / _{+0.00} | 6.40 ^{+0.10} / _{+0.00} | 24.00 ±0.065 | 35.40 ±0.05 | 40.00 ^{+0.16} / _{+0.00} | 18.74 |
| MPSA-59-050 | 34 | 50 | 18.4 | 18.40 ^{+0.20} / _{+0.00} | 6.40 ^{+0.10} / _{+0.00} | 34.00 ±0.08 | 45.40 ±0.05 | 50.00 ^{+0.16} / _{+0.00} | 19.85 |
| MPSA-59-055 | 39 | 55 | 18.4 | 18.40 ^{+0.20} / _{+0.00} | 6.40 ^{+0.10} / _{+0.00} | 39.00 ±0.08 | 50.40 ±0.05 | 55.00 ^{+0.19} / _{+0.00} | 22.73 |
| MPSA-59-060 | 44 | 60 | 18.4 | 18.40 ^{+0.20} / _{+0.00} | 6.40 ^{+0.10} / _{+0.00} | 44.00 ±0.08 | 55.40 ±0.05 | 60.00 ^{+0.19} / _{+0.00} | 24.63 |
| MPSA-59-060A | 44 | 60 | 20 | 20.00 ^{+0.20} / _{+0.00} | 6.35 ^{+0.10} / _{+0.00} | 44.00 ±0.08 | 56.00 ±0.05 | 60.00 ^{+0.19} / _{+0.00} | 28.00 |
| MPSA-59-063 | 47 | 63 | 19.4 | 19.40 ^{+0.20} / _{+0.00} | 6.40 ^{+0.10} / _{+0.00} | 47.00 ±0.08 | 58.40 ±0.05 | 63.00 ^{+0.19} / _{+0.00} | 27.58 |
| MPSA-59-065 | 50 | 65 | 18.4 | 18.40 ^{+0.20} / _{+0.00} | 6.40 ^{+0.10} / _{+0.00} | 50.00 ±0.08 | 60.40 ±0.05 | 65.00 ^{+0.19} / _{+0.00} | 28.44 |
| MPSA-59-070 | 50 | 70 | 22.4 | 22.40 ^{+0.20} / _{+0.00} | 6.40 ^{+0.10} / _{+0.00} | 50.00 ±0.08 | 64.15 ±0.05 | 70.00 ^{+0.19} / _{+0.00} | 28.73 |
| MPSA-59-070A | 50 | 70 | 25 | 25.00 ^{+0.20} / _{+0.00} | 6.35 ^{+0.10} / _{+0.00} | 50.00 ±0.08 | 64.20 ±0.05 | 70.00 ^{+0.19} / _{+0.00} | 24.20 |
| MPSA-59-075 | 55 | 75 | 22.4 | 22.40 ^{+0.20} / _{+0.00} | 6.40 ^{+0.10} / _{+0.00} | 55.00 ±0.095 | 69.20 ±0.05 | 75.00 ^{+0.19} / _{+0.00} | 38.94 |
| MPSA-59-080 | 60 | 80 | 22.4 | 22.40 ^{+0.20} / _{+0.00} | 6.40 ^{+0.10} / _{+0.00} | 60.00 ±0.095 | 74.20 ±0.05 | 80.00 ^{+0.19} / _{+0.00} | 27.76 |
| MPSA-59-080A | 60 | 80 | 31.4 | 31.40 ^{+0.20} / _{+0.00} | 6.40 ^{+0.10} / _{+0.00} | 60.00 ±0.095 | 74.20 ±0.05 | 80.00 ^{+0.19} / _{+0.00} | 28.03 |
| MPSA-59-085 | 65 | 85 | 22.4 | 22.40 ^{+0.20} / _{+0.00} | 6.40 ^{+0.10} / _{+0.00} | 65.00 ±0.095 | 79.20 ±0.05 | 85.00 ^{+0.22} / _{+0.00} | 28.73 |
| MPSA-59-090 | 70 | 90 | 22.4 | 22.40 ^{+0.20} / _{+0.00} | 6.40 ^{+0.10} / _{+0.00} | 70.00 ±0.095 | 84.20 ±0.05 | 90.00 ^{+0.22} / _{+0.00} | 34.21 |
| MPSA-59-100A | 75 | 100 | 22.4 | 22.40 ^{+0.20} / _{+0.00} | 6.40 ^{+0.10} / _{+0.00} | 75.00 ±0.095 | 93.10 ±0.05 | 100.00 ^{+0.22} / _{+0.00} | 40.56 |

PISTON SEAL ASSEMBLIES

FORMERLY LISTED SEALS ARE AVAILABLE ONLINE AT WWW.HERCULESUS.COM
OR BY CONTACTING YOUR REGIONAL HERCULES SALES TEAM.



STYLE MPSA-59 THREE PIECE PISTON SEALS

| Part Number | A Nom. ID | B Nom. OD | C Nom. Ht | D SEAL GROOVE WIDTH | D ₁ BEARING GROOVE WIDTH | H GROOVE DIAMETER | H ₁ BEARING GROOVE DIAMETER | J BORE DIAMETER | List Price |
|--------------|-----------------|-----------------|-----------------|---|---|-------------------------|--|--|---------------|
| MPSA-59-100 | 80 | 100 | 25.4 | 25.40 ^{+0.20} / _{+0.00} | 6.40 ^{+0.10} / _{+0.00} | 80.00 ±0.095 | 94.20 ±0.05 | 100.00 ^{+0.22} / _{+0.00} | 44.66 |
| MPSA-59-110 | 90 | 110 | 25.4 | 25.40 ^{+0.20} / _{+0.00} | 6.40 ^{+0.10} / _{+0.00} | 90.00 ±0.11 | 104.10 ±0.05 | 110.00 ^{+0.22} / _{+0.00} | 35.19 |
| MPSA-59-120 | 100 | 120 | 25.4 | 25.40 ^{+0.20} / _{+0.00} | 6.40 ^{+0.10} / _{+0.00} | 100.00 ±0.11 | 114.10 ±0.05 | 120.00 ^{+0.22} / _{+0.00} | 43.05 |
| MPSA-59-125 | 100 | 125 | 25.4 | 25.40 ^{+0.20} / _{+0.00} | 6.45 ^{+0.10} / _{+0.00} | 100.00 ±0.11 | 118.10 ±0.05 | 125.00 ^{+0.25} / _{+0.00} | 62.24 |
| MPSA-59-125A | 100 | 125 | 32.4 | 32.40 ^{+0.20} / _{+0.00} | 6.35 ^{+0.10} / _{+0.00} | 100.00 ±0.11 | 118.10 ±0.05 | 125.00 ^{+0.25} / _{+0.00} | 60.66 |
| MPSA-59-130 | 105 | 130 | 25.4 | 25.40 ^{+0.20} / _{+0.00} | 6.40 ^{+0.10} / _{+0.00} | 105.00 ±0.11 | 123.10 ±0.05 | 130.00 ^{+0.25} / _{+0.00} | 45.34 |
| MPSA-59-140 | 115 | 140 | 25.4 | 25.40 ^{+0.20} / _{+0.00} | 6.35 ^{+0.10} / _{+0.00} | 115.00 ±0.11 | 133.00 ±0.05 | 140.00 ^{+0.25} / _{+0.00} | 68.94 |
| MPSA-59-145 | 120 | 145 | 25.4 | 25.40 ^{+0.20} / _{+0.00} | 6.35 ^{+0.10} / _{+0.00} | 120.00 ±0.11 | 138.30 ±0.05 | 145.00 ^{+0.25} / _{+0.00} | 77.21 |
| MPSA-59-160 | 130 | 160 | 25.4 | 25.40 ^{+0.20} / _{+0.00} | 6.35 ^{+0.10} / _{+0.00} | 130.00 ±0.125 | 153.00 ±0.05 | 160.00 ^{+0.25} / _{+0.00} | 58.71 |
| MPSA-59-170 | 140 | 170 | 25.4 | 25.40 ^{+0.20} / _{+0.00} | 6.35 ^{+0.10} / _{+0.00} | 140.00 ±0.125 | 163.00 ±0.05 | 170.00 ^{+0.25} / _{+0.00} | 78.22 |
| MPSA-59-180 | 160 | 180 | 31.4 | 31.40 ^{+0.20} / _{+0.00} | 6.35 ^{+0.10} / _{+0.00} | 160.00 ±0.125 | 173.00 ±0.05 | 180.00 ^{+0.25} / _{+0.00} | 78.22 |
| MPSA-59-210 | 180 | 210 | 32.4 | 32.40 ^{+0.20} / _{+0.00} | 6.35 ^{+0.10} / _{+0.00} | 180.00 ±0.125 | 202.70 ±0.05 | 210.00 ^{+0.29} / _{+0.00} | 85.01 |

PISTON SEAL ASSEMBLIES

Seal color may vary. Special order sizes are available. Please call your regional sales team for assistance.

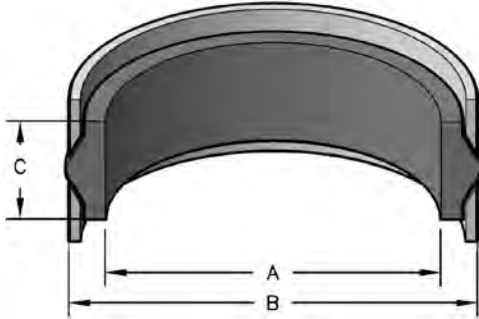
NORTH AMERICA
PHONE 1-800-777-5617
FAX 1-800-759-6391

SALES OFFICE HOURS
8 A.M. TO 7:30 P.M. EASTERN TIME
www.HerculesUS.com

WORLDWIDE
PHONE 1-727-796-1300
FAX 1-727-797-8849

STYLE MPSA-65 THREE PIECE PISTON SEALS

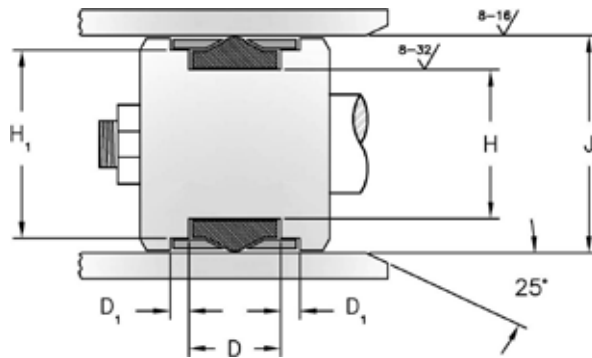
Consisting of a nitrile seal and two split acetal bearing, this assembly is used in light duty applications and can be installed on one or two piece pistons.



HERCULES PART NUMBERS

MPSA-65 - 025
 Type of Seal Bore Diameter

| SEAL INFORMATION | |
|-------------------|--------------------------------|
| MATERIAL | NITRILE SEAL ACETAL BEARING |
| TEMPERATURE RANGE | -22° TO +212° F |
| PRESSURE RANGE | 0 TO 3,000 PSI |
| SPEED | 1.5 FT/SEC |



| Part Number | A Nom. ID | B Nom. OD | C Nom. Ht | D SEAL GROOVE WIDTH | D ₁ BEARING GROOVE WIDTH | H GROOVE DIAMETER | H ₁ BEARING GROOVE DIAMETER | J BORE DIAMETER | List Price |
|--------------|-----------------|-----------------|-----------------|---------------------------|---|----------------------------|--|---------------------------|---------------|
| MPSA-65-025 | 17.5 | 25 | 8.5 | 8.50 | 3.25 +0.10 +0.00 | 17.50 +0.000 -0.043 | 21.30 +0.000 -0.052 | 25.00 +0.084 +0.000 | \$8.13 |
| MPSA-65-040 | 30 | 40 | 11 | 11.00 | 4.00 +0.10 +0.00 | 30.00 +0.000 -0.052 | 35.50 +0.000 -0.062 | 40.00 +0.10 +0.00 | 10.38 |
| MPSA-65-050 | 40 | 50 | 11 | 11.00 | 4.00 +0.10 +0.00 | 40.00 +0.000 -0.062 | 45.50 +0.000 -0.062 | 50.00 +0.10 +0.00 | 10.66 |
| MPSA-65-063 | 53 | 63 | 11 | 11.00 | 4.00 +0.10 +0.00 | 53.00 +0.000 -0.074 | 58.50 +0.000 -0.074 | 63.00 +0.12 +0.00 | 13.75 |
| MPSA-65-080 | 70 | 80 | 11 | 11.00 | 4.00 +0.10 +0.00 | 70.00 +0.000 -0.074 | 75.50 +0.000 -0.074 | 80.00 +0.12 +0.00 | 19.24 |
| MPSA-65-100 | 87 | 100 | 14 | 14.00 | 6.00 +0.10 +0.00 | 87.00 +0.000 -0.087 | 93.80 +0.000 -0.087 | 100.00 +0.14 +0.00 | 38.50 |
| MPSA-65-125 | 112 | 125 | 14 | 14.00 | 6.00 +0.10 +0.00 | 112.00 +0.000 -0.087 | 118.80 +0.000 -0.087 | 125.00 +0.16 +0.00 | 48.84 |
| MPSA-65-125B | 112 | 125 | 14 | 14.00 | 6.00 +0.10 +0.00 | 112.00 +0.000 -0.087 | 107.40 +0.000 -0.087 | 125.00 +0.16 +0.00 | 24.70 |

PISTON SEAL ASSEMBLIES

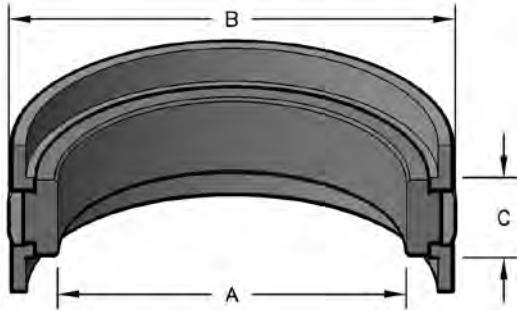
Seal color may vary. Special order sizes are available. Please call your regional sales team for assistance.

FORMERLY LISTED SEALS ARE AVAILABLE ONLINE AT WWW.HERCULESUS.COM
 OR BY CONTACTING YOUR REGIONAL HERCULES SALES TEAM.

NEW FOR 2016

STYLE MPSA-750 FOUR PIECE PISTON SEALS

This four piece double acting piston seal contains a nitrile energizer behind a tough, wear-resistant 55D thermoplastic polyester elastomer (TPE) cap ring. It also includes two L-shaped split polyacetal anti-extrusion rings/bearings. The MPSA-750 design has high shock load and high pressure capabilities and is suitable for both roller-burnished and honed tubing. Sealing materials are suitable for mineral oils and HFA (High Water Content) fluids as used in longwall mining equipment.



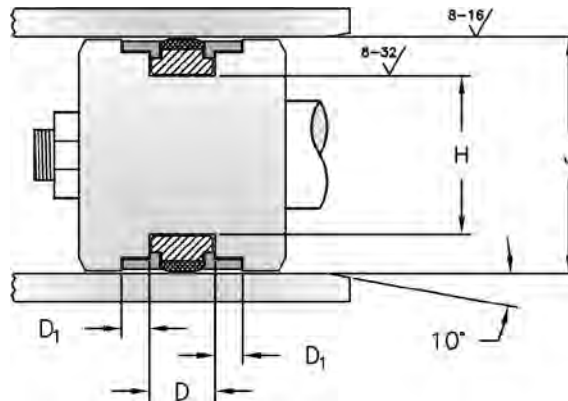
HERCULES PART NUMBERS

MPSA-750 - 025

Type of Seal | Bore Diameter

SEAL INFORMATION

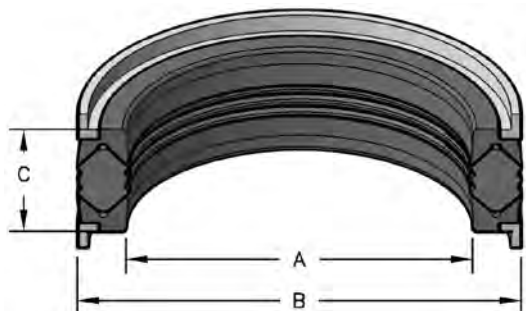
| | |
|-------------------|---|
| MATERIAL | 55D TPE CAP, NITRILE ENERGIZER, POLYACETAL ANTI- EXTRUSION RINGS |
| TEMPERATURE RANGE | -22° TO +212° F +32 TO +140 F (HFA) |
| PRESSURE RANGE | 0 TO 7,500 PSI |
| SPEED | 1.0 FT/SEC |



| Part Number | A Nom. ID | B Nom. OD | C Nom. Ht | D SEAL GROOVE WIDTH | D ₁ BEARING GROOVE WIDTH | H GROOVE DIAMETER | J BORE DIAMETER | List Price |
|--------------|--------------|--------------|--------------|-------------------------|--|--------------------------|--------------------------|------------|
| MPSA-750-125 | 105 | 125 | 16 | 16.00 +0.40 +0.00 | 6.45 +0.10 +0.00 | 105.00 +0.00 -0.14 | 125.00 +0.25 +0.00 | \$ 158.06 |
| MPSA-750-150 | 130 | 150 | 16 | 16.00 +0.40 +0.00 | 6.45 +0.10 +0.00 | 130.00 +0.00 -0.16 | 150.00 +0.25 +0.00 | 171.28 |
| MPSA-750-320 | 290 | 320 | 30 | 30.00 +0.40 +0.00 | 12.00 +0.10 +0.00 | 290.00 +0.00 -0.21 | 320.00 +0.36 +0.00 | 548.89 |

STYLE MPSA-PDE PISTON SEALS

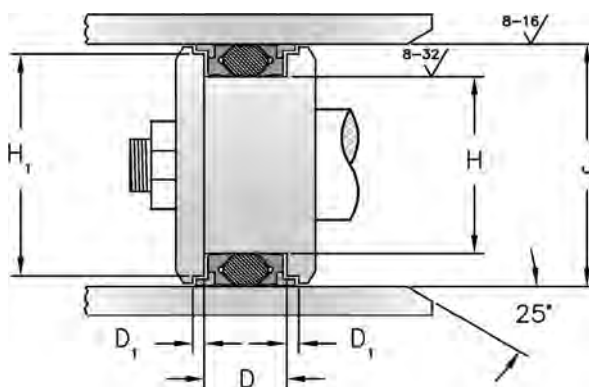
MPSA-PDE is a double-acting piston seal designed for use on split pistons where severe vibration, shock, and high pressure exist. It consists of an NBR sealing element, two plastic support rings, and two acetal bearing rings.



HERCULES PART NUMBERS

MPSA - 050 - PDE
 Type of Seal Bore Diameter Suffix

| SEAL INFORMATION | |
|-------------------|---------------------|
| MATERIAL | NITRILE PLASTIC POM |
| TEMPERATURE RANGE | -22° TO +230° F |
| PRESSURE RANGE | 0 TO 8,700 PSI |
| SPEED | 1.5 FT/SEC |



| Part Number | A Nom. ID | B Nom. OD | C Nom. Ht | D SEAL GROOVE WIDTH | D ₁ BEARING GROOVE WIDTH | H GROOVE DIAMETER | H ₁ BEARING GROOVE DIAMETER | J BORE DIAMETER | List Price |
|--------------|-----------|-----------|-----------|---|---|-------------------|--|--|------------|
| MPSA-050-PDE | 34 | 50 | 32 | 32.00 ^{+0.20} / _{+0.00} | 6.35 ^{+0.10} / _{+0.00} | 34.00 ±0.08 | 43.70 ±0.05 | 50.00 ^{+0.16} / _{+0.00} | \$46.37 |
| MPSA-070-PDE | 50 | 70 | 35 | 35.00 ^{+0.20} / _{+0.00} | 9.52 ^{+0.10} / _{+0.00} | 50.00 ±0.08 | 62.62 ±0.05 | 70.00 ^{+0.19} / _{+0.00} | 94.02 |
| MPSA-100-PDE | 80 | 100 | 35 | 35.00 ^{+0.20} / _{+0.00} | 9.52 ^{+0.10} / _{+0.00} | 80.00 ±0.095 | 92.60 ±0.05 | 100.00 ^{+0.22} / _{+0.00} | 93.78 |
| MPSA-110-PDE | 85 | 110 | 45 | 45.00 ^{+0.20} / _{+0.00} | 12.70 ^{+0.10} / _{+0.00} | 85.00 ±0.11 | 101.82 ±0.05 | 110.00 ^{+0.22} / _{+0.00} | 139.33 |
| MPSA-160-PDE | 135 | 160 | 45 | 45.00 ^{+0.20} / _{+0.00} | 12.70 ^{+0.10} / _{+0.00} | 135.00 ±0.125 | 151.72 ±0.05 | 160.00 ^{+0.25} / _{+0.00} | 111.03 |
| MPSA-210-PDE | 185 | 210 | 45 | 45.00 ^{+0.20} / _{+0.00} | 12.70 ^{+0.10} / _{+0.00} | 185.00 ±0.145 | 201.60 ±0.05 | 210.00 ^{+0.29} / _{+0.00} | 195.72 |
| MPSA-220-PDE | 195 | 220 | 45 | 45.00 ^{+0.20} / _{+0.00} | 12.70 ^{+0.10} / _{+0.00} | 195.00 ±0.145 | 211.60 ±0.05 | 220.00 ^{+0.29} / _{+0.00} | 221.99 |
| MPSA-230-PDE | 205 | 230 | 45 | 45.00 ^{+0.20} / _{+0.00} | 12.70 ^{+0.10} / _{+0.00} | 205.00 ±0.145 | 221.72 ±0.05 | 230.00 ^{+0.29} / _{+0.00} | 232.32 |
| MPSA-240-PDE | 215 | 240 | 45 | 45.00 ^{+0.20} / _{+0.00} | 12.70 ^{+0.10} / _{+0.00} | 215.00 ±0.145 | 231.72 ±0.05 | 240.00 ^{+0.29} / _{+0.00} | 236.82 |
| MPSA-360-PDE | 335 | 360 | 44.5 | 44.50 ^{+0.20} / _{+0.00} | 12.70 ^{+0.10} / _{+0.00} | 335.00 ±0.18 | 351.72 ±0.05 | 360.00 ^{+0.36} / _{+0.00} | 591.92 |

PISTON SEAL ASSEMBLIES

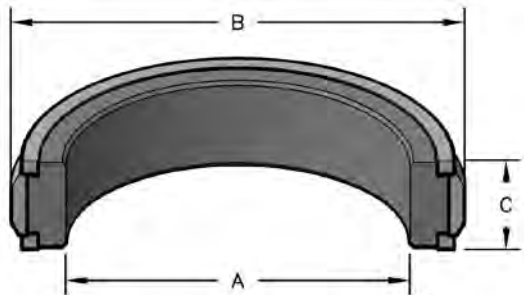
Seal color may vary. Special order sizes are available. Please call your regional sales team for assistance.

FORMERLY LISTED SEALS ARE AVAILABLE ONLINE AT WWW.HERCULESUS.COM
 OR BY CONTACTING YOUR REGIONAL HERCULES SALES TEAM.

NEW FOR 2016

STYLE MTPS FOUR PIECE PISTON SEALS

This four piece double acting piston seal contains a nitrile energizer behind a tough, wear-resistant 55D thermoplastic polyester elastomer (TPE) cap ring. It also includes two split rectangular polyacetal anti-extrusion rings. The MTPS design has high shock load and high pressure capabilities and is suitable for both roller-burnished and honed tubing. Sealing materials are suitable for mineral oils and HFA (High Water Content) fluids as used in longwall mining equipment.



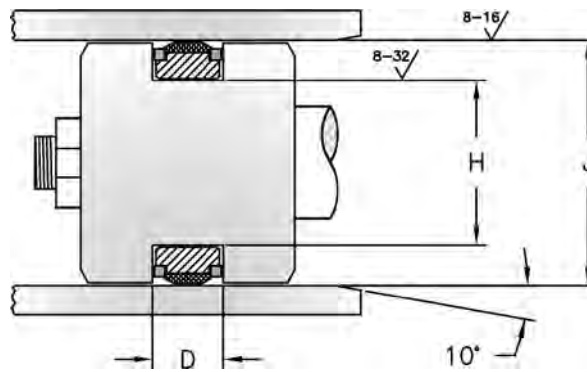
HERCULES PART NUMBERS

MTPS - 80 X 66 X 16.5

Type of Seal Bore Diameter Groove Diameter Height

SEAL INFORMATION

| | |
|-------------------|---|
| MATERIAL | 55D TPE CAP, NITRILE ENERGIZER, POLYACETAL ANTI- EXTRUSION RINGS |
| TEMPERATURE RANGE | -40° TO +230° F +32 TO +140 F (HFA) |
| PRESSURE RANGE | 0 TO 10,000 PSI |
| SPEED | 1 FT/SEC |



PISTON SEAL ASSEMBLIES

| Part Number | A Nom. ID | B Nom. OD | C Nom. Ht | D GROOVE WIDTH | H GROOVE DIAMETER | J BORE DIAMETER | List Price |
|-------------------|--------------|--------------|--------------|-------------------------|--------------------------|--------------------------|---------------|
| MTPS-80X66X16.5 | 66 | 80 | 16.5 | 17.00 +0.20 +0.00 | 66.00 +0.00 -0.07 | 80.00 +0.12 +0.00 | \$75.67 |
| MTPS-90X75X13 | 75 | 90 | 13 | 13.50 +0.20 +0.00 | 75.00 +0.00 -0.07 | 90.00 +0.14 +0.00 | 80.72 |
| MTPS-100X85X13 | 85 | 100 | 13 | 13.50 +0.20 +0.00 | 85.00 +0.00 -0.09 | 100.00 +0.14 +0.00 | 87.39 |
| MTPS-105X91X16 | 91 | 105 | 16 | 16.50 +0.20 +0.00 | 91.00 +0.00 -0.09 | 105.00 +0.14 +0.00 | 91.56 |
| MTPS-125X110X15.3 | 110 | 125 | 15.3 | 15.80 +0.20 +0.00 | 110.00 +0.00 -0.09 | 125.00 +0.16 +0.00 | 105.56 |
| MTPS-130X105X24.5 | 105 | 130 | 24.5 | 25.00 +0.20 +0.00 | 105.00 +0.00 -0.09 | 130.00 +0.16 +0.00 | 122.78 |
| MTPS-135X118X20 | 118 | 135 | 20 | 20.50 +0.20 +0.00 | 118.00 +0.00 -0.09 | 135.00 +0.16 +0.00 | 119.94 |
| MTPS-150X133X19.5 | 133 | 150 | 19.5 | 20.00 +0.20 +0.00 | 133.00 +0.00 -0.10 | 150.00 +0.16 +0.00 | 161.33 |
| MTPS-160X135X24.5 | 135 | 160 | 24.5 | 25.00 +0.20 +0.00 | 135.00 +0.00 -0.10 | 160.00 +0.16 +0.00 | 150.78 |
| MTPS-160X145X15.5 | 145 | 160 | 15.5 | 16.00 +0.20 +0.00 | 145.00 +0.00 -0.10 | 160.00 +0.16 +0.00 | 131.94 |
| MTPS-165X145X19.5 | 145 | 165 | 19.5 | 20.00 +0.20 +0.00 | 145.00 +0.00 -0.10 | 165.00 +0.16 +0.00 | 136.11 |
| MTPS-170X150X15.5 | 150 | 170 | 15.5 | 16.00 +0.20 +0.00 | 150.00 +0.00 -0.10 | 170.00 +0.16 +0.00 | 144.56 |
| MTPS-190X170X15.5 | 170 | 190 | 15.5 | 16.00 +0.20 +0.00 | 170.00 +0.00 -0.10 | 190.00 +0.19 +0.00 | 163.56 |



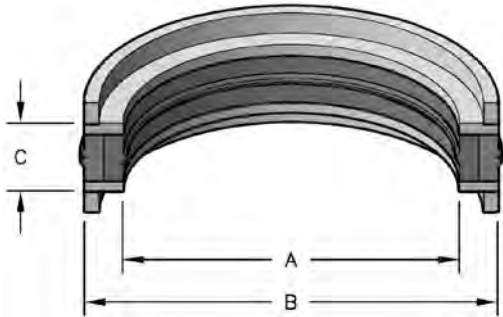
STYLE MTPS FOUR PIECE PISTON SEALS

| Part Number | A Nom. ID | B Nom. OD | C Nom. Ht | D GROOVE WIDTH | H GROOVE DIAMETER | J BORE DIAMETER | List Price |
|-------------------|--------------|--------------|--------------|---|--|--|---------------|
| MTPS-195X170X24.9 | 170 | 195 | 24.9 | 25.38 ^{+0.20} / _{+0.00} | 170.00 ^{+0.00} / _{-0.10} | 195.00 ^{+0.19} / _{+0.00} | 388.94 |
| MTPS-200X180X15.5 | 180 | 200 | 15.5 | 16.00 ^{+0.20} / _{+0.00} | 180.00 ^{+0.00} / _{-0.10} | 200.00 ^{+0.19} / _{+0.00} | 151.33 |
| MTPS-200X180X19.5 | 180 | 200 | 19.5 | 20.00 ^{+0.20} / _{+0.00} | 180.00 ^{+0.00} / _{-0.10} | 200.00 ^{+0.19} / _{+0.00} | 153.50 |
| MTPS-220X195X24.5 | 195 | 220 | 24.5 | 25.00 ^{+0.20} / _{+0.00} | 195.00 ^{+0.00} / _{-0.12} | 220.00 ^{+0.19} / _{+0.00} | 194.72 |
| MTPS-225X200X24.6 | 200 | 225 | 24.6 | 25.15 ^{+0.20} / _{+0.00} | 200.00 ^{+0.00} / _{-0.12} | 225.00 ^{+0.19} / _{+0.00} | 379.22 |
| MTPS-225X205X19.5 | 205 | 225 | 19.5 | 20.00 ^{+0.20} / _{+0.00} | 205.00 ^{+0.00} / _{-0.12} | 225.00 ^{+0.19} / _{+0.00} | 199.44 |
| MTPS-240X213X29.5 | 213 | 240 | 29.5 | 30.00 ^{+0.20} / _{+0.00} | 213.00 ^{+0.00} / _{-0.12} | 240.00 ^{+0.19} / _{+0.00} | 216.33 |
| MTPS-250X225X24.5 | 225 | 250 | 24.5 | 25.00 ^{+0.20} / _{+0.00} | 225.00 ^{+0.00} / _{-0.12} | 250.00 ^{+0.19} / _{+0.00} | 239.44 |
| MTPS-270X240X29.5 | 240 | 270 | 29.5 | 30.00 ^{+0.20} / _{+0.00} | 240.00 ^{+0.00} / _{-0.12} | 270.00 ^{+0.21} / _{+0.00} | 451.22 |
| MTPS-270X245X23.5 | 245 | 270 | 23.5 | 24.00 ^{+0.20} / _{+0.00} | 245.00 ^{+0.00} / _{-0.12} | 270.00 ^{+0.21} / _{+0.00} | 254.72 |
| MTPS-280X255X24.5 | 255 | 280 | 24.5 | 25.00 ^{+0.20} / _{+0.00} | 255.00 ^{+0.00} / _{-0.13} | 280.00 ^{+0.21} / _{+0.00} | 258.83 |
| MTPS-285X260X24.5 | 260 | 285 | 24.5 | 25.00 ^{+0.20} / _{+0.00} | 260.00 ^{+0.00} / _{-0.13} | 285.00 ^{+0.21} / _{+0.00} | 272.44 |
| MTPS-300X275X24.5 | 275 | 300 | 24.5 | 25.00 ^{+0.20} / _{+0.00} | 275.00 ^{+0.00} / _{-0.13} | 300.00 ^{+0.21} / _{+0.00} | 285.72 |
| MTPS-320X290X29.5 | 290 | 320 | 29.5 | 30.00 ^{+0.20} / _{+0.00} | 290.00 ^{+0.00} / _{-0.13} | 320.00 ^{+0.23} / _{+0.00} | 503.56 |
| MTPS-370X340X29.5 | 340 | 370 | 29.5 | 30.00 ^{+0.20} / _{+0.00} | 340.00 ^{+0.00} / _{-0.14} | 370.00 ^{+0.23} / _{+0.00} | 563.11 |
| MTPS-380X350X29.5 | 350 | 380 | 29.5 | 30.00 ^{+0.20} / _{+0.00} | 350.00 ^{+0.00} / _{-0.14} | 380.00 ^{+0.23} / _{+0.00} | 553.89 |
| MTPS-380X350X31.5 | 350 | 380 | 31.5 | 32.00 ^{+0.20} / _{+0.00} | 350.00 ^{+0.00} / _{-0.14} | 380.00 ^{+0.23} / _{+0.00} | 390.39 |
| MTPS-400X370X31.5 | 370 | 400 | 31.5 | 32.00 ^{+0.20} / _{+0.00} | 370.00 ^{+0.00} / _{-0.14} | 400.00 ^{+0.23} / _{+0.00} | 575.33 |

PISTON SEAL ASSEMBLIES

STYLE MNCF FIVE PIECE PISTON SEALS

For two piece pistons, this seal incorporates a nitrile / fabric seal with two split bearings.

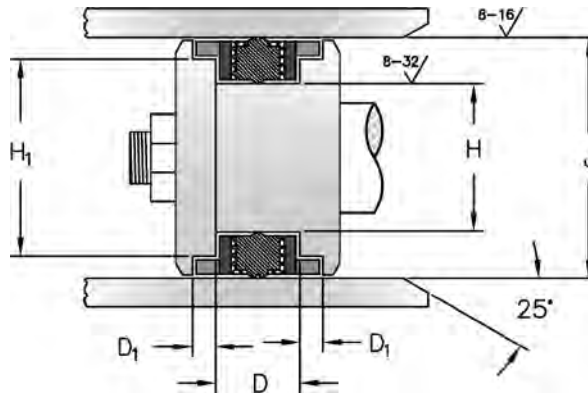


HERCULES PART NUMBERS

MNCF - 070
 Type of Seal Bore Diameter

SEAL INFORMATION

| | |
|-------------------|--------------------------------|
| MATERIAL | NITRILE SEAL ACETAL BEARING |
| TEMPERATURE RANGE | -22° TO +190° F |
| PRESSURE RANGE | 0 TO 5,000 PSI |
| SPEED | 1.5 FT/SEC |

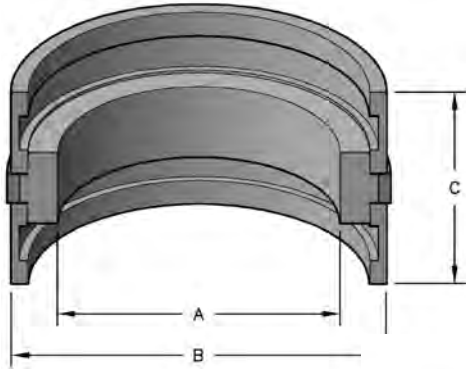


| Part Number | A Nom. ID | B Nom. OD | C Nom. Ht | D SEAL GROOVE WIDTH | D ₁ BEARING GROOVE WIDTH | H GROOVE DIAMETER | H ₁ BEARING GROOVE DIAMETER | J BORE DIAMETER | List Price |
|-------------|--------------|--------------|--------------|---------------------------|---|-------------------------|--|--------------------|------------|
| MNCF-070 | 56 | 70 | 22 | 22.00 | 7.95 | 56.00 | 61.50 | 70.00 | \$96.45 |
| MNCF-080 | 66 | 80 | 22 | 22.00 | 7.95 | 66.00 | 71.50 | 80.00 | 104.49 |
| MNCF-090 | 76 | 90 | 22 | 22.00 | 7.95 | 76.00 | 81.50 | 90.00 | 112.54 |
| MNCF-100 | 86 | 100 | 22 | 22.00 | 9.95 | 86.00 | 91.50 | 100.00 | 128.59 |
| MNCF-110 | 96 | 110 | 22 | 22.00 | 9.95 | 96.00 | 101.50 | 110.00 | 144.65 |
| MNCF-120 | 106 | 120 | 22 | 22.00 | 9.95 | 106.00 | 111.50 | 120.00 | 144.65 |

Seal color may vary. Special order sizes are available. Please call your regional sales team for assistance.

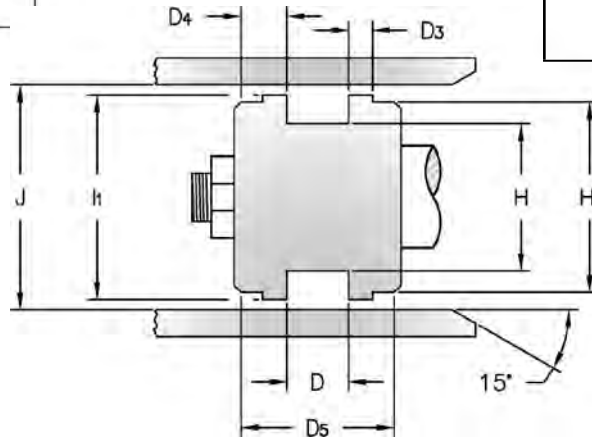
STYLE PS-GKD PISTON SEALS

PS-GKD consists of a bronze-filled PTFE cap energized by a urethane expander and guided with PTFE/bronze reinforced POM bearing rings. The standard piston construction permits use to 5200 psi pressure and the reinforced piston construction up to 8700 psi. These are genuine Hunger® parts.



HERCULES PART NUMBERS

PS-GKD - 40 X 26 X 30
 Type of Seal Outside Diameter Inside Diameter Height



| SEAL INFORMATION | |
|-------------------|---|
| MATERIAL | BRONZE/PTFE URETHANE PTFE/ BRONZE/POM |
| TEMPERATURE RANGE | -22° TO +248° F |
| PRESSURE RANGE | 0 TO 8,700 PSI |
| SPEED | 3 FT/SEC |

PISTON SEAL ASSEMBLIES

| Part Number | A Nom. ID | B Nom. OD | C Nom. Ht | D GROOVE WIDTH | H GROOVE DIAMETER | H ₁ BEARING GROOVE DIAMETER | I ₁ PROTRUSION DIAMETER | J BORE DIAMETER | D ₃ PROTRUSION WIDTH | D ₅ PISTON WIDTH | D ₄ PISTON END TO GROOVE | List Price |
|-------------------|-----------|-----------|-----------|---------------------|----------------------|--|------------------------------------|----------------------|---------------------------------|-----------------------------|-------------------------------------|------------|
| PS-GKD 40X26X30 | 26 | 40 | 30 | 15.50 +0.12 -0.05 | 26.00 +0.000 -0.052 | 32.00 -0.025 -0.064 | 36.00 -0.025 -0.064 | 40.00 +0.039 +0.000 | 3.50 -0.030 -0.078 | 30.00 | 7.25 +0.10 +0.00 | \$ 124.25 |
| PS-GKD 50X34X32 | 34 | 50 | 32 | 20.50 +0.149 -0.065 | 34.00 +0.000 -0.062 | 42.00 -0.025 -0.064 | 46.00 -0.025 -0.064 | 50.00 +0.039 +0.000 | 3.00 -0.02 -0.06 | 32.00 | 5.80 +0.10 +0.00 | 129.50 |
| PS-GKD 60X44X32 | 44 | 60 | 32 | 20.50 +0.149 -0.065 | 44.00 +0.000 -0.062 | 52.00 -0.030 -0.076 | 56.00 -0.030 -0.076 | 60.00 +0.046 +0.000 | 3.00 -0.02 -0.06 | 32.00 | 5.80 +0.10 +0.00 | 145.69 |
| PS-GKD 63X47X32 | 47 | 63 | 32 | 20.50 +0.149 -0.065 | 47.00 +0.000 -0.062 | 55.00 -0.030 -0.076 | 59.00 -0.030 -0.076 | 63.00 +0.046 +0.000 | 3.00 -0.02 -0.06 | 32.00 | 5.80 +0.10 +0.00 | 146.99 |
| PS-GKD 70X54X32 | 54 | 70 | 32 | 20.50 +0.149 -0.065 | 54.00 +0.000 -0.074 | 62.00 -0.030 -0.076 | 66.00 -0.030 -0.076 | 70.00 +0.046 +0.000 | 3.00 -0.02 -0.06 | 32.00 | 5.80 +0.10 +0.00 | 153.38 |
| PS-GKD 75X59X32 | 59 | 75 | 32 | 20.50 +0.149 -0.065 | 59.00 +0.000 -0.074 | 67.00 -0.030 -0.076 | 71.00 -0.030 -0.076 | 75.00 +0.046 +0.000 | 3.00 -0.02 -0.06 | 32.00 | 5.80 +0.10 +0.00 | 145.69 |
| PS-GKD 80X62X36 | 62 | 80 | 36 | 22.50 +0.149 -0.065 | 62.00 +0.000 -0.074 | 72.00 -0.030 -0.076 | 76.00 -0.030 -0.076 | 80.00 +0.046 +0.000 | 3.00 -0.02 -0.06 | 36.00 | 6.80 +0.10 +0.00 | 161.47 |
| PS-GKD 85X67X36 | 67 | 85 | 36 | 22.50 +0.149 -0.065 | 67.00 +0.000 -0.074 | 77.00 -0.030 -0.076 | 81.00 -0.036 -0.090 | 85.00 +0.054 +0.000 | 3.00 -0.02 -0.06 | 36.00 | 6.80 +0.10 +0.00 | 153.78 |
| PS-GKD 90X72X36 | 72 | 90 | 36 | 22.50 +0.149 -0.065 | 72.00 +0.000 -0.074 | 82.00 -0.036 -0.090 | 86.00 -0.036 -0.090 | 90.00 +0.054 +0.000 | 3.00 -0.02 -0.06 | 36.00 | 6.80 +0.10 +0.00 | 160.66 |
| PS-GKD 100X82X36 | 82 | 100 | 36 | 22.50 +0.149 -0.065 | 82.00 +0.000 -0.087 | 92.00 -0.036 -0.090 | 96.00 -0.036 -0.090 | 100.00 +0.054 +0.000 | 3.00 -0.02 -0.06 | 36.00 | 6.80 +0.10 +0.00 | 169.96 |
| PS-GKD 115X97X36 | 97 | 115 | 36 | 22.50 +0.149 -0.065 | 97.00 +0.000 -0.087 | 107.00 -0.036 -0.090 | 111.00 -0.036 -0.090 | 115.00 +0.054 +0.000 | 3.00 -0.02 -0.06 | 36.00 | 6.80 +0.10 +0.00 | 184.53 |
| PS-GKD 120X102X36 | 102 | 120 | 36 | 22.50 +0.149 -0.065 | 102.00 +0.000 -0.087 | 112.00 -0.036 -0.090 | 116.00 -0.036 -0.090 | 120.00 +0.054 +0.000 | 3.00 -0.02 -0.06 | 36.00 | 6.80 +0.10 +0.00 | 188.59 |
| PS-GKD 125X103X43 | 103 | 125 | 43 | 26.50 +0.149 -0.065 | 103.00 +0.000 -0.087 | 115.00 -0.036 -0.090 | 121.00 -0.043 -0.106 | 125.00 +0.063 +0.000 | 4.00 -0.030 -0.078 | 43.00 | 8.30 +0.10 +0.00 | 178.06 |
| PS-GKD 140X118X43 | 118 | 140 | 43 | 26.50 +0.149 -0.065 | 118.00 +0.000 -0.087 | 130.00 -0.043 -0.106 | 136.00 -0.043 -0.106 | 140.00 +0.063 +0.000 | 4.00 -0.030 -0.078 | 43.00 | 8.30 +0.10 +0.00 | 229.87 |

FORMERLY LISTED SEALS ARE AVAILABLE ONLINE AT WWW.HERCULESUS.COM
 OR BY CONTACTING YOUR REGIONAL HERCULES SALES TEAM.



STYLE PS-GKD PISTON SEALS

| Part Number | A Nom. ID | B Nom. OD | C Nom. Ht | D GROOVE WIDTH | H GROOVE DIAMETER | H ₁ BEARING GROOVE DIAMETER | I ₁ PROTRUSION DIAMETER | J BORE DIAMETER | D ₃ PROTRUSION WIDTH | D ₅ PISTON WIDTH | D ₄ PISTON END TO GROOVE | List Price |
|-------------------|-----------------|-----------------|-----------------|---------------------------|----------------------------|---|--|----------------------------|---------------------------------------|-----------------------------------|--|---------------|
| PS-GKD 150X128X43 | 128 | 150 | 43 | 26.50 +0.149 -0.065 | 128.00 +0.00 -0.10 | 140.00 -0.043 -0.106 | 146.00 -0.043 -0.106 | 150.00 +0.063 +0.000 | 4.00 -0.030 -0.078 | 43.00 | 8.30 +0.10 +0.00 | 242.82 |
| PS-GKD 160X138X43 | 138 | 160 | 43 | 26.50 +0.149 -0.065 | 138.00 +0.00 -0.10 | 150.00 -0.043 -0.106 | 156.00 -0.043 -0.106 | 160.00 +0.063 +0.000 | 4.00 -0.030 -0.078 | 43.00 | 8.30 +0.10 +0.00 | 259.01 |
| PS-GKD 170X148X48 | 148 | 170 | 48 | 26.50 +0.149 -0.065 | 148.00 +0.00 -0.10 | 160.00 -0.043 -0.106 | 166.00 -0.043 -0.106 | 170.00 +0.063 +0.000 | 6.00 -0.030 -0.078 | 48.00 | 10.80 +0.10 +0.00 | 275.18 |
| PS-GKD 180X158X48 | 158 | 180 | 48 | 26.50 +0.149 -0.065 | 158.00 +0.00 -0.10 | 170.00 -0.043 -0.106 | 176.00 -0.043 -0.106 | 180.00 +0.063 +0.000 | 6.00 -0.030 -0.078 | 48.00 | 10.80 +0.10 +0.00 | 291.37 |
| PS-GKD 200X175X48 | 175 | 200 | 48 | 31.50 +0.18 -0.08 | 175.00 +0.00 -0.10 | 190.00 -0.050 -0.122 | 196.00 -0.050 -0.122 | 200.00 +0.072 +0.000 | 4.50 -0.030 -0.078 | 48.00 | 8.30 +0.10 +0.00 | 337.92 |
| PS-GKD 220X195X58 | 195 | 220 | 58 | 31.50 +0.18 -0.08 | 195.00 +0.000 -0.115 | 210.00 -0.050 -0.122 | 216.00 -0.050 -0.122 | 220.00 +0.072 +0.000 | 8.00 -0.040 -0.098 | 58.00 | 13.30 +0.10 +0.00 | 377.57 |
| PS-GKD 240X215X74 | 215 | 240 | 74 | 31.50 +0.18 -0.08 | 215.00 +0.000 -0.115 | 230.00 -0.050 -0.122 | 236.00 -0.050 -0.122 | 240.00 +0.072 +0.000 | 15.00 -0.05 -0.12 | 74.00 | 21.30 +0.10 +0.00 | 416.01 |
| PS-GKD 250X225X74 | 225 | 250 | 74 | 31.50 +0.18 -0.08 | 225.00 +0.000 -0.115 | 240.00 -0.050 -0.122 | 246.00 -0.050 -0.122 | 250.00 +0.072 +0.000 | 15.00 -0.05 -0.12 | 74.00 | 21.30 +0.10 +0.00 | 437.86 |
| PS-GKD 280X255X74 | 255 | 280 | 74 | 31.50 +0.18 -0.08 | 255.00 +0.00 -0.13 | 270.00 -0.056 -0.137 | 276.00 -0.056 -0.137 | 280.00 +0.081 +0.000 | 15.00 -0.05 -0.12 | 74.00 | 21.30 +0.10 +0.00 | 898.01 |

PISTON SEAL ASSEMBLIES

Seal color may vary. Special order sizes are available. Please call your regional sales team for assistance.

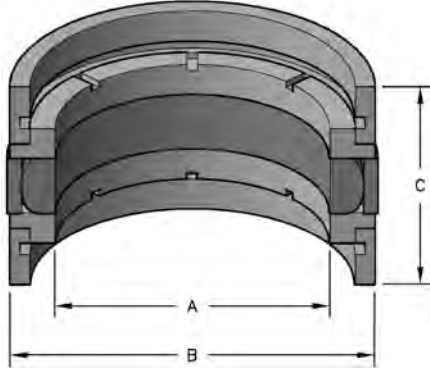
NORTH AMERICA
PHONE 1-800-777-5617
FAX 1-800-759-6391

SALES OFFICE HOURS
8 A.M. TO 7:30 P.M. EASTERN TIME
www.HerculesUS.com

WORLDWIDE
PHONE 1-727-796-1300
FAX 1-727-797-8849

STYLE PS-GD1000K PISTON SEALS

PS-GD1000K consists of PTFE-bronze cap energized by a nitrile expander, supported by plastic back-up rings and guided with PTFE/bronze reinforced POM bearing rings. The standard piston construction permits use to 5200 psi pressure and the reinforced piston construction up to 9000 psi. These are genuine Hunger® parts.



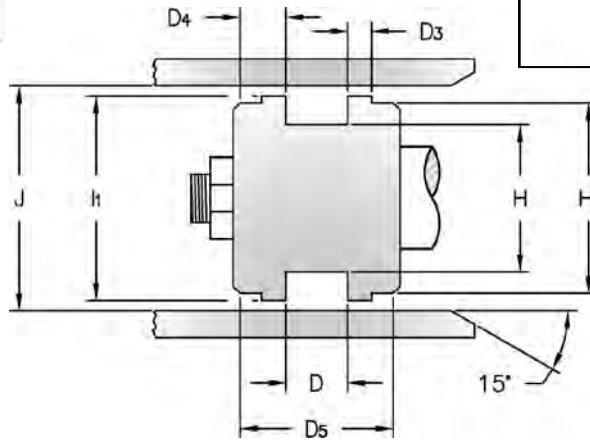
HERCULES PART NUMBERS

PS-GD1000K - 40 X 26 X 32

Type of Seal Outside Diameter Inside Diameter Height

| SEAL INFORMATION | |
|-------------------|---------------------------------------|
| MATERIAL | BRONZE/PTFE URETHANE FILLED POM |
| TEMPERATURE RANGE | -22° TO +248° F |
| PRESSURE RANGE | 0 TO 9,000 PSI |
| SPEED | 3 FT/SEC |

* Limited Availability.



PISTON SEAL ASSEMBLIES

| Part Number | A Nom. ID | B Nom. OD | C Nom. Ht | D GROOVE WIDTH | H GROOVE DIAMETER | H ₁ BEARING GROOVE DIAMETER | I ₁ PROTRUSION DIAMETER | J BORE DIAMETER | D ₃ PROTRUSION WIDTH | D ₅ PISTON WIDTH | D ₄ PISTON END TO GROOVE | List Price |
|----------------------|-----------|-----------|-----------|---------------------------|---------------------------|--|------------------------------------|----------------------------|---------------------------------|-----------------------------|-------------------------------------|------------|
| PS-GD1000K 40X26X32 | 26 | 40 | 32 | 15.50 +0.12 +0.05 | 26.00 +0.000 -0.052 | 32.00 -0.025 -0.064 | 36.00 -0.025 -0.064 | 40.00 +0.039 +0.000 | 3.50 -0.030 -0.078 | 32.00 | 8.25 +0.10 +0.00 | \$ 169.97 |
| PS-GD1000K 50X34X32 | 34 | 50 | 32 | 20.50 +0.149 +0.065 | 34.00 +0.000 -0.062 | 42.00 -0.025 -0.064 | 46.00 -0.025 -0.064 | 50.00 +0.039 +0.000 | 3.00 -0.02 -0.06 | 32.00 | 5.80 +0.10 +0.00 | 214.50 |
| PS-GD1000K 50X34X39 | 34 | 50 | 39 | 20.50 +0.149 +0.065 | 34.00 +0.000 -0.062 | 42.00 -0.025 -0.064 | 46.00 -0.025 -0.064 | 50.00 +0.039 +0.000 | 3.00 -0.02 -0.06 | 39.00 | 9.25 +0.10 +0.00 | 242.82 |
| PS-GD1000K 63X47X39 | 47 | 63 | 39 | 20.50 +0.149 +0.065 | 47.00 +0.000 -0.062 | 55.00 -0.030 -0.076 | 59.00 -0.030 -0.076 | 63.00 +0.046 +0.000 | 3.00 -0.02 -0.06 | 39.00 | 9.25 +0.10 +0.00 | 201.55 |
| PS-GD1000K 70X54X32 | 54 | 70 | 32 | 20.50 +0.149 +0.065 | 54.00 +0.000 -0.074 | 62.00 -0.030 -0.076 | 66.00 -0.030 -0.076 | 70.00 +0.046 +0.000 | 3.00 -0.02 -0.06 | 32.00 | 5.80 +0.10 +0.00 | 237.15 |
| PS-GD1000K 70X54X39 | 54 | 70 | 39 | 20.50 +0.149 +0.065 | 54.00 +0.000 -0.074 | 62.00 -0.030 -0.076 | 66.00 -0.030 -0.076 | 70.00 +0.046 +0.000 | 3.00 -0.02 -0.06 | 39.00 | 9.25 +0.10 +0.00 | 202.36 |
| PS-GD1000K 80X62X43 | 62 | 80 | 43 | 22.50 +0.149 +0.065 | 62.00 +0.000 -0.074 | 72.00 -0.030 -0.076 | 76.00 -0.030 -0.076 | 80.00 +0.046 +0.000 | 3.00 -0.02 -0.06 | 43.00 | 10.25 +0.10 +0.00 | 212.06 |
| PS-GD1000K 90X72X36 | 72 | 90 | 36 | 22.50 +0.149 +0.065 | 72.00 +0.000 -0.074 | 82.00 -0.036 -0.090 | 86.00 -0.036 -0.090 | 90.00 +0.054 +0.000 | 3.00 -0.02 -0.06 | 36.00 | 6.80 +0.10 +0.00 | 263.87 |
| PS-GD1000K 90X72X43 | 72 | 90 | 43 | 22.50 +0.149 +0.065 | 72.00 +0.000 -0.074 | 82.00 -0.036 -0.090 | 86.00 -0.036 -0.090 | 90.00 +0.054 +0.000 | 3.00 -0.02 -0.06 | 43.00 | 10.25 +0.10 +0.00 | 225.41 |
| PS-GD1000K 100X82X36 | 82 | 100 | 36 | 22.50 +0.149 +0.065 | 82.00 +0.000 -0.087 | 92.00 -0.036 -0.090 | 96.00 -0.036 -0.090 | 100.00 +0.054 +0.000 | 3.00 -0.02 -0.06 | 36.00 | 6.80 +0.10 +0.00 | 265.47 |
| PS-GD1000K 100X82X43 | 82 | 100 | 43 | 22.50 +0.149 +0.065 | 82.00 +0.000 -0.087 | 92.00 -0.036 -0.090 | 96.00 -0.036 -0.090 | 100.00 +0.054 +0.000 | 3.00 -0.02 -0.06 | 43.00 | 10.25 +0.10 +0.00 | 233.51 |
| PS-GD1000K 110X92X36 | 92 | 110 | 36 | 22.50 +0.149 +0.065 | 92.00 +0.000 -0.087 | 102.00 -0.036 -0.090 | 106.00 -0.036 -0.090 | 110.00 +0.054 +0.000 | 3.00 -0.02 -0.06 | 36.00 | 6.80 +0.10 +0.00 | 279.23 |
| PS-GD1000K 110X92X43 | 92 | 110 | 43 | 22.50 +0.149 +0.065 | 92.00 +0.000 -0.087 | 102.00 -0.036 -0.090 | 106.00 -0.036 -0.090 | 110.00 +0.054 +0.000 | 3.00 -0.02 -0.06 | 43.00 | 10.25 +0.10 +0.00 | 239.17 |
| PS-GD1000K 115X97X43 | 97 | 115 | 43 | 22.50 +0.149 +0.065 | 97.00 +0.000 -0.087 | 107.00 -0.036 -0.090 | 111.00 -0.036 -0.090 | 115.00 +0.054 +0.000 | 3.00 -0.02 -0.06 | 43.00 | 10.25 +0.10 +0.00 | 242.82 |

FORMERLY LISTED SEALS ARE AVAILABLE ONLINE AT WWW.HERCULESUS.COM
OR BY CONTACTING YOUR REGIONAL HERCULES SALES TEAM.



STYLE PS-GD1000K PISTON SEALS

PISTON SEAL ASSEMBLIES

| Part Number | A Nom. ID | B Nom. OD | C Nom. Ht | D GROOVE WIDTH | H GROOVE DIAMETER | H ₁ BEARING GROOVE DIAMETER | I ₁ PROTRUSION DIAMETER | J BORE DIAMETER | D ₃ PROTRUSION WIDTH | D ₅ PISTON WIDTH | D ₄ PISTON END TO GROOVE | List Price |
|------------------------|-----------------|-----------------|-----------------|---------------------------|----------------------------|---|--|----------------------------|---------------------------------------|-----------------------------------|--|---------------|
| PS-GD1000K 120X102X43 | 102 | 120 | 43 | 22.50 +0.149 +0.065 | 102.00 +0.000 -0.087 | 112.00 -0.036 -0.090 | 116.00 -0.036 -0.090 | 120.00 +0.054 +0.000 | 3.00 -0.02 -0.06 | 43.00 | 10.25 +0.10 +0.00 | 256.18 |
| PS-GD1000K 125X103X43 | 103 | 125 | 43 | 26.50 +0.149 +0.065 | 103.00 +0.000 -0.087 | 115.00 -0.036 -0.090 | 121.00 -0.043 -0.106 | 125.00 +0.063 +0.000 | 4.00 -0.030 -0.078 | 43.00 | 8.30 +0.10 +0.00 | 271.95 |
| PS-GD1000K 125X103X53 | 103 | 125 | 53 | 26.50 +0.149 +0.065 | 103.00 +0.000 -0.087 | 115.00 -0.036 -0.090 | 121.00 -0.043 -0.106 | 125.00 +0.063 +0.000 | 4.00 -0.030 -0.078 | 53.00 | 13.25 +0.10 +0.00 | 270.76 |
| PS-GD1000K 130X108X53 | 108 | 130 | 53 | 26.50 +0.149 +0.065 | 108.00 +0.000 -0.087 | 120.00 -0.036 -0.090 | 126.00 -0.043 -0.106 | 130.00 +0.063 +0.000 | 4.00 -0.030 -0.078 | 53.00 | 13.25 +0.10 +0.00 | 283.29 |
| PS-GD1000K 140X118X43 | 118 | 140 | 43 | 26.50 +0.149 +0.065 | 118.00 +0.000 -0.087 | 130.00 -0.043 -0.106 | 136.00 -0.043 -0.106 | 140.00 +0.063 +0.000 | 4.00 -0.030 -0.078 | 43.00 | 8.30 +0.10 +0.00 | 377.49 |
| PS-GD1000K 140X118X53 | 118 | 140 | 53 | 26.50 +0.149 +0.065 | 118.00 +0.000 -0.087 | 130.00 -0.043 -0.106 | 136.00 -0.043 -0.106 | 140.00 +0.063 +0.000 | 4.00 -0.030 -0.078 | 53.00 | 13.25 +0.10 +0.00 | 303.51 |
| PS-GD1000K 150X128X53 | 128 | 150 | 53 | 26.50 +0.149 +0.065 | 128.00 +0.000 -0.10 | 140.00 -0.043 -0.106 | 146.00 -0.043 -0.106 | 150.00 +0.063 +0.000 | 4.00 -0.030 -0.078 | 53.00 | 13.25 +0.10 +0.00 | 323.76 |
| PS-GD1000K 160X138X43 | 138 | 160 | 43 | 26.50 +0.149 +0.065 | 138.00 +0.000 -0.10 | 150.00 -0.043 -0.106 | 156.00 -0.043 -0.106 | 160.00 +0.063 +0.000 | 4.00 -0.030 -0.078 | 43.00 | 8.30 +0.10 +0.00 | 364.22 |
| PS-GD1000K 160X138X53 | 138 | 160 | 53 | 26.50 +0.149 +0.065 | 138.00 +0.000 -0.10 | 150.00 -0.043 -0.106 | 156.00 -0.043 -0.106 | 160.00 +0.063 +0.000 | 4.00 -0.030 -0.078 | 53.00 | 13.25 +0.10 +0.00 | 365.85 |
| PS-GD1000K 165X143X57 | 143 | 165 | 57 | 26.50 +0.149 +0.065 | 143.00 +0.000 -0.10 | 155.00 -0.043 -0.106 | 161.00 -0.043 -0.106 | 165.00 +0.063 +0.000 | 6.00 -0.030 -0.078 | 57.00 | 15.25 +0.10 +0.00 | 416.44 |
| PS-GD1000K 180X158X48 | 158 | 180 | 48 | 26.50 +0.149 +0.065 | 158.00 +0.000 -0.10 | 170.00 -0.043 -0.106 | 176.00 -0.043 -0.106 | 180.00 +0.063 +0.000 | 6.00 -0.030 -0.078 | 48.00 | 10.80 +0.10 +0.00 | 404.70 |
| PS-GD1000K 180X158X57 | 158 | 180 | 57 | 26.50 +0.149 +0.065 | 158.00 +0.000 -0.10 | 170.00 -0.043 -0.106 | 176.00 -0.043 -0.106 | 180.00 +0.063 +0.000 | 6.00 -0.030 -0.078 | 57.00 | 15.25 +0.10 +0.00 | 423.31 |
| PS-GD1000KS 190X165X48 | 165 | 190 | 48 | 31.50 +0.18 +0.08 | 165.00 +0.000 -0.10 | 180.00 -0.043 -0.106 | 186.00 -0.050 -0.122 | 190.00 +0.072 +0.000 | 4.50 -0.030 -0.078 | 48.00 | 8.30 +0.10 +0.00 | 472.67 |
| PS-GD1000KS 200X175X48 | 175 | 200 | 48 | 31.50 +0.18 +0.08 | 175.00 +0.000 -0.10 | 190.00 -0.050 -0.122 | 196.00 -0.050 -0.122 | 200.00 +0.072 +0.000 | 4.50 -0.030 -0.078 | 48.00 | 8.30 +0.10 +0.00 | 456.82 |
| PS-GD1000KS 200X175X64 | 175 | 200 | 64 | 31.50 +0.18 +0.08 | 175.00 +0.000 -0.10 | 190.00 -0.050 -0.122 | 196.00 -0.050 -0.122 | 200.00 +0.072 +0.000 | 4.50 -0.030 -0.078 | 64.00 | 16.25 +0.10 +0.00 | 562.11 |
| PS-GD1000K 220X195X58 | 195 | 220 | 58 | 31.50 +0.18 +0.08 | 195.00 +0.000 -0.115 | 210.00 -0.050 -0.122 | 216.00 -0.050 -0.122 | 220.00 +0.072 +0.000 | 8.00 -0.040 -0.098 | 58.00 | 13.30 +0.10 +0.00 | 494.13 |
| PS-GD1000K 220X195X71 | 195 | 220 | 71 | 31.50 +0.18 +0.08 | 195.00 +0.000 -0.115 | 210.00 -0.050 -0.122 | 216.00 -0.050 -0.122 | 220.00 +0.072 +0.000 | 8.00 -0.040 -0.098 | 71.00 | 19.75 +0.10 +0.00 | 456.90 |
| PS-GD1000K 225X200X71 | 200 | 225 | 71 | 31.50 +0.18 +0.08 | 200.00 +0.000 -0.115 | 215.00 -0.050 -0.122 | 221.00 -0.050 -0.122 | 225.00 +0.072 +0.000 | 8.00 -0.040 -0.098 | 71.00 | 19.75 +0.10 +0.00 | 488.46 |
| PS-GD1000K 230X205X85 | 205 | 230 | 85 | 31.50 +0.18 +0.08 | 205.00 +0.000 -0.115 | 220.00 -0.050 -0.122 | 226.00 -0.050 -0.122 | 230.00 +0.072 +0.000 | 15.00 -0.05 -0.12 | 85.00 | 26.75 +0.10 +0.00 | 526.10 |
| PS-GD1000K 235X210X85 | 210 | 235 | 85 | 31.50 +0.18 +0.08 | 210.00 +0.000 -0.115 | 225.00 -0.050 -0.122 | 231.00 -0.050 -0.122 | 235.00 +0.072 +0.000 | 15.00 -0.05 -0.12 | 85.00 | 26.75 +0.10 +0.00 | 537.44 |
| PS-GD1000K 250X225X85 | 225 | 250 | 85 | 31.50 +0.18 +0.08 | 225.00 +0.000 -0.115 | 240.00 -0.050 -0.122 | 246.00 -0.050 -0.122 | 250.00 +0.072 +0.000 | 15.00 -0.05 -0.12 | 85.00 | 26.75 +0.10 +0.00 | 551.60 |
| PS-GD1000K 275X250X74* | 250 | 275 | 74 | 31.50 +0.18 +0.08 | 250.00 +0.000 -0.115 | 265.00 -0.056 -0.137 | 271.00 -0.056 -0.137 | 275.00 +0.081 +0.000 | 15.00 -0.05 -0.12 | 74.00 | 21.30 +0.10 +0.00 | 249.66 |
| PS-GD1000K 320X290X80 | 290 | 320 | 80 | 36.50 +0.18 +0.08 | 290.00 +0.000 -0.13 | 308.00 -0.056 -0.137 | 314.00 -0.056 -0.137 | 320.00 +0.089 +0.000 | 8.50 -0.040 -0.098 | 80.00 | 21.75 +0.10 +0.00 | 1276.40 |
| PS-GD1000K 360X330X80 | 330 | 360 | 80 | 36.50 +0.18 +0.08 | 330.00 +0.000 -0.14 | 348.00 -0.062 -0.151 | 354.00 -0.062 -0.151 | 360.00 +0.089 +0.000 | 8.50 -0.040 -0.098 | 80.00 | 21.75 +0.10 +0.00 | 1821.11 |

* Closeout item - Price Shown as Net. This item will no longer be available once stock has been depleted.

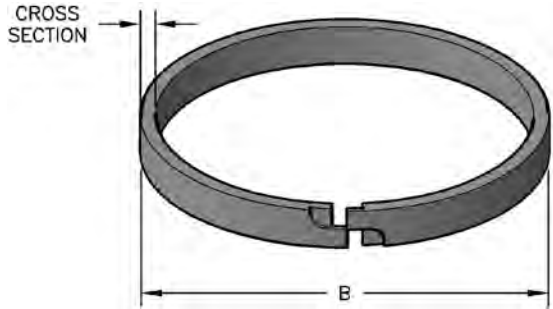
NORTH AMERICA
PHONE 1-800-777-5617
FAX 1-800-759-6391

SALES OFFICE HOURS
8 A.M. TO 7:30 P.M. EASTERN TIME
www.HerculesUS.com

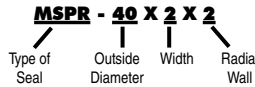
WORLDWIDE
PHONE 1-727-796-1300
FAX 1-727-797-8849

STYLE MSPR PISTON RINGS

Machined from iron, most employ an overlapped joint which allows the passing of ports.



HERCULES PART NUMBERS



| SEAL INFORMATION | |
|------------------|------|
| MATERIAL | IRON |

| Part Number | B Nom. OD | C Nom. Ht | Nom. Cross Section | List Price |
|--------------------|--------------|--------------|--------------------|------------|
| MSPR-40X2X2 | 40 | 2 | 2 | \$ 12.54 |
| MSPR-45X2.5X2.2 | 45 | 2.2 | 2.5 | 12.54 |
| MSPR-50X2.5X2.3 | 50 | 2.5 | 2.3 | 12.54 |
| MSPR-50X2X2 | 50 | 2 | 2 | 12.54 |
| MSPR-55X3X2.5 | 55 | 2.5 | 3 | 14.01 |
| MSPR-90X4X3.5 | 90 | 3.5 | 4 | 22.71 |
| MSPR-95X4X4 | 95 | 4 | 4 | 27.27 |
| MSPR-100X4X4.7 | 100 | 4 | 4.7 | 78.85 |
| MSPR-100X4.7X4.2 | 100 | 4.7 | 4.2 | 92.87 |
| MSPR-105X4X4.4 | 105 | 4 | 4.4 | 27.82 |
| MSPR-115X4.7X4 | 115 | 4 | 4.7 | 51.43 |
| MSPR-120X4X5 | 120 | 5 | 4 | 54.86 |
| MSPR-125X4X4.8 | 125 | 4 | 4.8 | 28.45 |
| MSPR-130X4X5.4 | 130 | 4 | 5.4 | 58.26 |
| MSPR-130X6.3X3.75 | 130 | 6.3 | 3.75 | 46.90 |
| MSPR-135X4X5.4 | 135 | 5.4 | 4 | 35.73 |
| MSPR-135X6.3X3.75 | 135 | 6.3 | 3.75 | 31.15 |
| MSPR-140X4X5.7 | 140 | 5.7 | 4 | 42.23 |
| MSPR-145X4X6 | 145 | 4 | 6 | 45.61 |
| MSPR-150X4X6.3 | 150 | 4 | 6.3 | 48.09 |
| MSPR-160X7.88X5.55 | 160 | 7.88 | 5.55 | 49.85 |
| MSPR-160X4X6.55 | 160 | 6.55 | 4 | 49.36 |
| MSPR-170X4X7 | 170 | 4 | 7 | 53.13 |
| MSPR-185X4X7.55 | 185 | 4 | 7.55 | 59.75 |
| MSPR-200X7.88X6.8 | 200 | 7.88 | 6.8 | 67.23 |

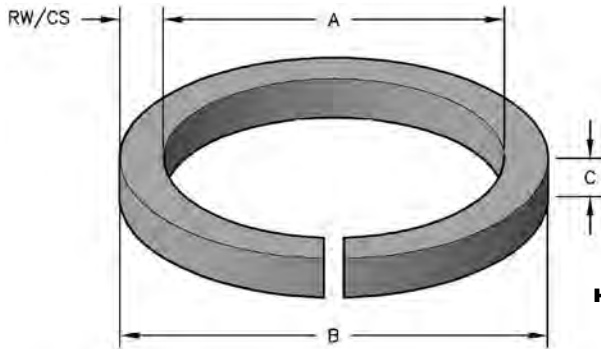
PISTON RINGS

Seal color may vary. Special order sizes are available. Please call your regional sales team for assistance.

FORMERLY LISTED SEALS ARE AVAILABLE ONLINE AT WWW.HERCULESUS.COM
OR BY CONTACTING YOUR REGIONAL HERCULES SALES TEAM.



STYLE MBR PISTON RINGS



HERCULES PART NUMBERS

MBR - 70 X 6 X 6

Type of Seal Outside Diameter Width Radial Wall

SEAL INFORMATION

| | |
|----------|----------|
| MATERIAL | BRONZE |
| SPEED | 3 FT/SEC |

| Part Number | A Nom. ID | B Nom. OD | C Nom. Ht | Nom. Cross Section | List Price |
|-------------|--------------|--------------|--------------|--------------------|------------|
| MBR-70X6X6 | 58 | 70 | 6 | 6 | \$36.31 |
| MBR-80X6X6 | 68 | 80 | 6 | 6 | 45.49 |

Seal color may vary. Special order sizes are available. Please call your regional sales team for assistance.

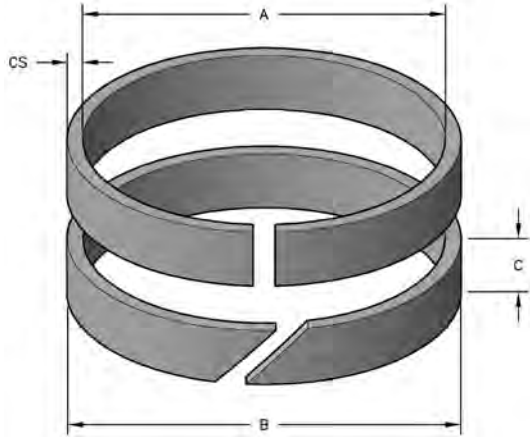
NORTH AMERICA
PHONE 1-800-777-5617
FAX 1-800-759-6391

SALES OFFICE HOURS
8 A.M. TO 7:30 P.M. EASTERN TIME
www.HerculesUS.com

WORLDWIDE
PHONE 1-727-796-1300
FAX 1-727-797-8849

STYLE MWR WEAR RINGS

This wear ring is molded from glass reinforced nylon. This style is highly recommended because of their wear rate and non-scoring properties and their ability to ingest metal chips.



HERCULES PART NUMBERS

MWR - 28 X 10 X 1.5

Type of Seal Outside Diameter Width Cross Section

Suffix:
SC = Scarf Cut Ring
SL = Slotted

| SEAL INFORMATION | |
|----------------------|-----------------|
| MATERIAL | NYLON |
| TEMPERATURE RANGE | -40° TO +275° F |
| SPEED | 3 FT/SEC |
| COMPRESSIVE STRENGTH | 26,000 PSI |
| TENSILE STRENGTH | 25,000 PSI |

| Part Number | A Nom. ID | B Nom. OD | C Nom. Ht | Nom. Cross Section | List Price |
|---------------------|-----------|-----------|-----------|--------------------|------------|
| MWR-28X10X1.5 | 25 | 28 | 10 | 1.5 | \$19.29 |
| MWR-32X4X1.5 | 29 | 32 | 4 | 1.5 | 16.06 |
| MWR-35X8X2 | 31 | 35 | 8 | 2 | 7.02 |
| MWR-35X4X1.5-SC | 32 | 35 | 4 | 1.5 | 11.54 |
| MWR-35X9.5X1.5 | 32 | 35 | 9.5 | 1.5 | 18.90 |
| MWR-35X15X1.5 | 32 | 35 | 15 | 1.5 | 23.43 |
| MWR-35X15.9X1.5 | 32 | 35 | 15.9 | 1.5 | 24.53 |
| MWR-36X12.7X3.1 | 29.8 | 36 | 12.7 | 3.1 | 10.56 |
| MWR-36X11.2X2.5 | 31 | 36 | 11.2 | 2.5 | 93.49 |
| MWR-38X24.4X1.53-SC | 34.94 | 38 | 24.4 | 1.53 | 21.91 |
| MWR-39X16X1.5 | 36 | 39 | 16 | 1.5 | 25.23 |
| MWR-40X5X2.5-SC | 35 | 40 | 4.8 | 2.5 | 30.89 |
| MWR-40X12X2 | 36 | 40 | 12 | 2 | 15.75 |
| MWR-43X15.9X1.5 | 40 | 43 | 15.9 | 1.5 | 24.80 |
| MWR-45X14.5X3 | 39 | 45 | 14.5 | 3 | 8.67 |
| MWR-45X20X2 | 41 | 45 | 20 | 2 | 16.59 |
| MWR-48X22.5X1.5 | 45 | 48 | 22.5 | 1.5 | 26.59 |
| MWR-48X25X1.5-SC | 45 | 48 | 25 | 1.5 | 10.92 |
| MWR-50X15X3.2-SC | 43.6 | 50 | 15 | 3.2 | 9.83 |
| MWR-50X19X3.17 | 43.66 | 50 | 19 | 3.17 | 17.17 |
| MWR-50X5X3 | 44 | 50 | 5 | 3 | 8.80 |
| MWR-50X5.6X2.5-SC | 45 | 50 | 5.6 | 2.5 | 9.23 |
| MWR-50X9.5X2.5 | 45 | 50 | 9.5 | 2.5 | 9.96 |
| MWR-50X14.8X2.5 | 45 | 50 | 14.8 | 2.5 | 17.66 |
| MWR-50X20X2.5 | 45 | 50 | 20 | 2.5 | 9.70 |
| MWR-50X9.5X2 | 46 | 50 | 9.5 | 2 | 9.67 |
| MWR-50X10X2 | 46 | 50 | 10 | 2 | 8.11 |
| MWR-50X14.5X2 | 46 | 50 | 14.5 | 2 | 8.82 |
| MWR-51X9.6X3 | 45 | 51 | 9.6 | 3 | 8.82 |
| MWR-51X22.2X3 | 45 | 51 | 22.2 | 3 | 22.19 |
| MWR-53X24.5X1.5 | 50 | 53 | 24.5 | 1.5 | 15.10 |
| MWR-55X10.5X3 | 49 | 55 | 10.5 | 3 | 8.88 |
| MWR-55X15.5X3 | 49 | 55 | 15.5 | 3 | 10.17 |
| MWR-55X6.2X2.5-SC | 50 | 55 | 6.2 | 2.5 | 8.39 |
| MWR-55X7.9X2.5 | 50 | 55 | 7.9 | 2.5 | 18.95 |
| MWR-55X20X2.5 | 50 | 55 | 20 | 2.5 | 14.17 |
| MWR-56X5X3.12 | 49.76 | 56 | 5 | 3.12 | 10.92 |

| Part Number | A Nom. ID | B Nom. OD | C Nom. Ht | Nom. Cross Section | List Price |
|---------------------|-----------|-----------|-----------|--------------------|------------|
| MWR-56X12.7X3 | 50 | 56 | 12.7 | 3 | 19.60 |
| MWR-56X25X3 | 50 | 56 | 25 | 3 | 24.15 |
| MWR-58X24.7X1.53-SC | 54.94 | 58 | 24.7 | 1.53 | 15.70 |
| MWR-60X12.7X3.17 | 53.66 | 60 | 12.7 | 3.17 | 18.21 |
| MWR-60X19X3.17 | 53.66 | 60 | 19 | 3.17 | 18.73 |
| MWR-60X14.5X2.5 | 55 | 60 | 14.5 | 2.5 | 11.03 |
| MWR-60X15X2.5-SC | 55 | 60 | 15 | 2.5 | 11.28 |
| MWR-60X20X2.5 | 55 | 60 | 20 | 2.5 | 11.16 |
| MWR-62X10X2 | 58 | 62 | 10 | 2 | 11.14 |
| MWR-63X5X3.1 | 56.8 | 63 | 5 | 3.1 | 15.99 |
| MWR-63X5.6X2.5 | 58 | 63 | 5.6 | 2.5 | 8.11 |
| MWR-63X20X2.5 | 58 | 63 | 20 | 2.5 | 11.21 |
| MWR-63X12X2-SC | 59 | 63 | 12 | 2 | 26.60 |
| MWR-63X25X1.5-SC | 60 | 63 | 25 | 1.5 | 25.84 |
| MWR-65X15.5X3 | 59 | 65 | 15.5 | 3 | 10.78 |
| MWR-65X10X2.5 | 60 | 65 | 10 | 2.5 | 6.90 |
| MWR-65X15X2.5-SC | 60 | 65 | 15 | 2.5 | 11.65 |
| MWR-65X10X2 | 61 | 65 | 10 | 2 | 19.90 |
| MWR-68X25X1.5-SC | 65 | 68 | 25 | 1.5 | 13.03 |
| MWR-69X30X3 | 63 | 69 | 30 | 3 | 22.96 |
| MWR-69X31X3 | 63 | 69 | 31 | 3 | 23.72 |
| MWR-70X10X3.12 | 63.76 | 70 | 10 | 3.12 | 4.57 |
| MWR-70X14.5X3-SC | 64 | 70 | 14.5 | 3 | 16.57 |
| MWR-70X15.5X3 | 64 | 70 | 15.5 | 3 | 11.36 |
| MWR-70X19.5X3 | 64 | 70 | 19.5 | 3 | 14.53 |
| MWR-70X5.5X2.5-SC | 65 | 70 | 5.5 | 2.5 | 28.89 |
| MWR-70X15X2.5-SC | 65 | 70 | 15 | 2.5 | 25.84 |
| MWR-70X20X2.5 | 65 | 70 | 20 | 2.5 | 10.03 |
| MWR-70X9.5X2.4-SC | 65.2 | 70 | 9.5 | 2.4 | 13.27 |
| MWR-70X10X2 | 66 | 70 | 10 | 2 | 3.76 |
| MWR-71X9.7X2.5 | 66 | 71 | 9.7 | 2.5 | 9.46 |
| MWR-75X29.8X3.2-SC | 68.6 | 75 | 29.8 | 3.2 | 20.48 |
| MWR-75X9.5X3.15 | 68.7 | 75 | 9.5 | 3.15 | 20.41 |
| MWR-75X25X3.15 | 68.7 | 75 | 25 | 3.15 | 17.10 |
| MWR-75X12.7X3 | 69 | 75 | 12.7 | 3 | 10.38 |
| MWR-75X5.4X2.5-SC | 70 | 75 | 5.4 | 2.5 | 11.65 |
| MWR-75X6.2X2.5-SC | 70 | 75 | 6.2 | 2.5 | 24.13 |

WEAR RINGS



STYLE MWR WEAR RINGS

WEAR RINGS

| Part Number | A Nom. ID | B Nom. OD | C Nom. Ht | Nom. Cross Section | List Price | Part Number | A Nom. ID | B Nom. OD | C Nom. Ht | Nom. Cross Section | List Price |
|----------------------|-----------|-----------|-----------|--------------------|------------|---------------------|-----------|-----------|-----------|--------------------|------------|
| MWR-75X10X2 | 71 | 75 | 10 | 2 | 16.67 | MWR-110X10X4.5-SC | 101 | 110 | 10 | 4.5 | 22.85 |
| MWR-75X15X2 | 71 | 75 | 15 | 2 | 18.28 | MWR-110X12.5X4.5 | 101 | 110 | 12.5 | 4.5 | 39.46 |
| MWR-78X25X1.5-SC | 75 | 78 | 25 | 1.5 | 19.84 | MWR-110X7.9X3.12 | 103.76 | 110 | 7.9 | 3.12 | 12.08 |
| MWR-80X9.35X3.17-SC | 73.66 | 80 | 9.35 | 3.17 | 9.21 | MWR-110X15X3.1 | 103.8 | 110 | 15 | 3.1 | 26.27 |
| MWR-80X6X3.12 | 73.76 | 80 | 6 | 3.12 | 20.92 | MWR-110X5.9X3-SC | 104 | 110 | 5.9 | 3 | 19.82 |
| MWR-80X10X3.12 | 73.76 | 80 | 10 | 3.12 | 4.60 | MWR-110X22.4X3-SC | 104 | 110 | 22.4 | 3 | 27.37 |
| MWR-80X15.5X3 | 74 | 80 | 15.5 | 3 | 12.00 | MWR-110X25X3 | 104 | 110 | 25 | 3 | 20.40 |
| MWR-80X19.5X3 | 74 | 80 | 19.5 | 3 | 12.03 | MWR-110X30X3-SC | 104 | 110 | 30 | 3 | 23.79 |
| MWR-80X25X3 | 74 | 80 | 25 | 3 | 20.90 | MWR-110X35X3 | 104 | 110 | 35 | 3 | 24.71 |
| MWR-80X5X2.5-SC | 75 | 80 | 4.8 | 2.5 | 30.89 | MWR-110X12.5X2.75 | 104.5 | 110 | 12.5 | 2.75 | 25.82 |
| MWR-80X9.5X2.5 | 75 | 80 | 9.3 | 2.5 | 30.89 | MWR-110X7.6X2.5-SC | 105 | 110 | 7.6 | 2.5 | 42.72 |
| MWR-80X13X2.5 | 75 | 80 | 13 | 2.5 | 10.35 | MWR-110X7.9X2.5 | 105 | 110 | 7.9 | 2.5 | 10.89 |
| MWR-80X20X2.5 | 75 | 80 | 20 | 2.5 | 24.72 | MWR-115X10X4.5-SC | 106 | 115 | 10 | 4.5 | 13.53 |
| MWR-80X10X2 | 76 | 80 | 10 | 2 | 24.18 | MWR-115X15X4.5 | 106 | 115 | 15 | 4.5 | 46.52 |
| MWR-83X25X1.5-SC | 80 | 83 | 25 | 1.5 | 20.01 | MWR-115X5.8X4-SC | 107 | 115 | 5.8 | 4 | 35.41 |
| MWR-85X29.9X3.25-SC | 78.5 | 85 | 29.9 | 3.25 | 42.93 | MWR-115X8X3.1-SC | 108.8 | 115 | 8 | 3.1 | 23.62 |
| MWR-85X25X3.17 | 78.66 | 85 | 25 | 3.17 | 14.79 | MWR-115X15X3 | 109 | 115 | 15 | 3 | 13.57 |
| MWR-85X14.5X3-SC | 79 | 85 | 14.5 | 3 | 19.38 | MWR-115X7.9X2.5 | 110 | 115 | 7.9 | 2.5 | 10.89 |
| MWR-85X6X2.5-SC | 80 | 85 | 6 | 2.5 | 28.75 | MWR-115X9.5X2.5 | 110 | 115 | 9.5 | 2.5 | 11.39 |
| MWR-85X9.5X2.5 | 80 | 85 | 9.5 | 2.5 | 35.89 | MWR-120X10X4.5-SC | 111 | 120 | 10 | 4.5 | 24.11 |
| MWR-85X15X2.5-SC | 80 | 85 | 15 | 2.5 | 17.20 | MWR-120X15X4.5 | 111 | 120 | 15 | 4.5 | 49.28 |
| MWR-85X25X2.5 | 80 | 85 | 25 | 2.5 | 34.12 | MWR-120X8X4-SC | 112 | 120 | 8 | 4 | 28.15 |
| MWR-85X15X2.45-SC | 80.1 | 85 | 15 | 2.45 | 17.94 | MWR-120X20X3.12-SC | 113.76 | 120 | 20 | 3.12 | 15.06 |
| MWR-85X5.35X2.4-SC | 80.2 | 85 | 5.35 | 2.4 | 16.68 | MWR-120X5.9X3-SC | 114 | 120 | 5.9 | 3 | 20.52 |
| MWR-85X10X2-SC | 81 | 85 | 10 | 2 | 14.35 | MWR-120X15X3-SC | 114 | 120 | 15 | 3 | 31.88 |
| MWR-86X25X3 | 80 | 86 | 25 | 3 | 10.21 | MWR-120X15.45X3 | 114 | 120 | 15.45 | 3 | 20.53 |
| MWR-86X50X3 | 80 | 86 | 50 | 3 | 20.46 | MWR-120X22.4X3-SC | 114 | 120 | 22.4 | 3 | 29.99 |
| MWR-88X25X1.5-SC | 85 | 88 | 25 | 1.5 | 25.84 | MWR-120X30X3 | 114 | 120 | 30 | 3 | 24.73 |
| MWR-90X10X4.5-SC | 81 | 90 | 10 | 4.5 | 9.93 | MWR-120X35X3-SC | 114 | 120 | 35 | 3 | 47.35 |
| MWR-90X12.5X4.5 | 81 | 90 | 12.5 | 4.5 | 28.13 | MWR-120X40X3 | 114 | 120 | 40 | 3 | 31.44 |
| MWR-90X9.35X3.17-SC | 83.66 | 90 | 9.35 | 3.17 | 10.48 | MWR-120X8X2.6-SC | 114.8 | 120 | 8 | 2.6 | 6.74 |
| MWR-90X15X3.15 | 83.7 | 90 | 15 | 3.15 | 5.56 | MWR-120X7.9X2.5 | 115 | 120 | 7.9 | 2.5 | 11.73 |
| MWR-90X12.5X3 | 84 | 90 | 12.5 | 3 | 11.60 | MWR-125X10X5-SC | 115 | 125 | 10 | 5 | 22.29 |
| MWR-90X25X3 | 84 | 90 | 25 | 3 | 16.78 | MWR-125X15X5-SC | 115 | 125 | 15 | 5 | 26.53 |
| MWR-91X39.5X3 | 85 | 91 | 39.5 | 3 | 38.73 | MWR-125X8.1X4-SC | 117 | 125 | 8.1 | 4 | 9.08 |
| MWR-93X24.9X1.5-SC | 90 | 93 | 24.9 | 1.5 | 36.78 | MWR-125X28X3.25-SC | 118.5 | 125 | 27.8 | 3.25 | 27.19 |
| MWR-95X9.85X4.5-SC | 86 | 95 | 9.85 | 4.5 | 26.91 | MWR-125X20X3.12 | 118.76 | 125 | 20 | 3.12 | 19.23 |
| MWR-95X12.5X4.5 | 86 | 95 | 12.5 | 4.5 | 28.49 | MWR-125X10X3.1-SC | 118.8 | 125 | 10 | 3.1 | 21.11 |
| MWR-95X5.9X4-SC | 87 | 95 | 5.9 | 4 | 7.65 | MWR-125X12.5X3-SC | 119 | 125 | 12.5 | 3 | 7.33 |
| MWR-95X25.4X3.2-SC | 88.6 | 95 | 25.4 | 3.2 | 23.92 | MWR-125X15X3 | 119 | 125 | 15 | 3 | 32.01 |
| MWR-95X15X2.5-SC | 90 | 95 | 15 | 2.5 | 13.32 | MWR-125X7.9X2.5 | 120 | 125 | 7.9 | 2.5 | 12.10 |
| MWR-99X13.9X3.6-SL | 91.8 | 99 | 13.9 | 3.6 | 61.07 | MWR-130X10X5-SC | 120 | 130 | 10 | 5 | 20.05 |
| MWR-100X10X4.5-SC | 91 | 100 | 10 | 4.5 | 9.66 | MWR-130X15X5 | 120 | 130 | 15 | 5 | 49.78 |
| MWR-100X28.3X3.24-SC | 93.52 | 100 | 28.3 | 3.24 | 26.50 | MWR-130X7.9X3.5-SC | 123 | 130 | 7.9 | 3.5 | 19.30 |
| MWR-100X15X3.15 | 93.7 | 100 | 15 | 3.15 | 14.71 | MWR-130X15X3.5-SC | 123 | 130 | 15 | 3.5 | 29.34 |
| MWR-100X5.9X3-SC | 94 | 100 | 5.9 | 3 | 18.60 | MWR-130X18.1X3.5 | 123 | 130 | 18.1 | 3.5 | 36.26 |
| MWR-100X12.5X3-SC | 94 | 100 | 12.3 | 3 | 23.39 | MWR-130X30X3.5 | 123 | 130 | 30 | 3.5 | 37.47 |
| MWR-100X22.4X3-SC | 94 | 100 | 22.4 | 3 | 26.73 | MWR-130X40X3.5-SC | 123 | 130 | 40 | 3.5 | 58.30 |
| MWR-100X25X3 | 94 | 100 | 25 | 3 | 15.98 | MWR-130X9.4X3.17-SC | 123.66 | 130 | 9.4 | 3.17 | 11.62 |
| MWR-100X15X2.5-SC | 95 | 100 | 14.8 | 2.5 | 8.24 | MWR-130X12X3 | 124 | 130 | 12 | 3 | 28.69 |
| MWR-105X10X4.5-SC | 96 | 105 | 10 | 4.5 | 21.03 | MWR-130X7.9X2.5 | 125 | 130 | 7.9 | 2.5 | 13.04 |
| MWR-105X12.5X4.5 | 96 | 105 | 12.5 | 4.5 | 27.56 | MWR-135X10X5 | 125 | 135 | 10 | 5 | 46.22 |
| MWR-105X6.2X4-SC | 97 | 105 | 6.2 | 4 | 23.12 | MWR-135X15X5 | 125 | 135 | 15 | 5 | 54.04 |
| MWR-105X15X3-SC | 99 | 105 | 15 | 3 | 23.95 | MWR-135X7.75X4-SC | 127 | 135 | 7.75 | 4 | 37.33 |
| MWR-105X24.5X3 | 99 | 105 | 24.5 | 3 | 14.71 | MWR-135X9.85X3.85 | 127.3 | 135 | 9.85 | 3.85 | 33.53 |
| MWR-105X40X3 | 99 | 105 | 40 | 3 | 29.02 | MWR-135X14.8X3.5 | 128 | 135 | 14.8 | 3.5 | 16.16 |
| MWR-105X6X2.5-SC | 100 | 105 | 6 | 2.5 | 34.46 | MWR-135X18.3X3.5-SC | 128 | 135 | 18.3 | 3.5 | 18.21 |

NORTH AMERICA
PHONE 1-800-777-5617
FAX 1-800-759-6391

SALES OFFICE HOURS
8 A.M. TO 7:30 P.M. EASTERN TIME
www.HerculesUS.com

WORLDWIDE
PHONE 1-727-796-1300
FAX 1-727-797-8849



STYLE MWR WEAR RINGS

| Part Number | A Nom. ID | B Nom. OD | C Nom. Ht | Nom. Cross Section | List Price |
|---------------------|-----------|-----------|-----------|--------------------|------------|
| MWR-135X9.4X3.17-SC | 128.66 | 135 | 9.4 | 3.17 | 29.47 |
| MWR-135X7.9X2.5 | 130 | 135 | 7.9 | 2.5 | 14.40 |
| MWR-140X12.5X6-SC | 128 | 140 | 12.5 | 6 | 23.46 |
| MWR-140X17.5X6-SC | 128 | 140 | 17.5 | 6 | 64.12 |
| MWR-140X17.5X3.5 | 133 | 140 | 17.5 | 3.5 | 21.97 |
| MWR-140X20.35X3.5 | 133 | 140 | 20.35 | 3.5 | 51.49 |
| MWR-140X35X3.5 | 133 | 140 | 35 | 3.5 | 12.39 |
| MWR-140X45X3.5-SC | 133 | 140 | 45 | 3.5 | 63.18 |
| MWR-140X10X3.12 | 133.76 | 140 | 10 | 3.12 | 13.51 |
| MWR-140X20X3.12 | 133.76 | 140 | 20 | 3.12 | 21.06 |
| MWR-140X12.7X3-SC | 134 | 140 | 12.7 | 3 | 18.49 |
| MWR-140X7.9X2.5 | 135 | 140 | 7.9 | 2.5 | 14.95 |
| MWR-140X9.5X2.5 | 135 | 140 | 9.5 | 2.5 | 23.49 |
| MWR-145X12.2X6-SC | 133 | 145 | 12.2 | 6 | 48.12 |
| MWR-145X9.7X3.85-SC | 137.3 | 145 | 9.7 | 3.85 | 46.29 |
| MWR-145X14.8X3.5 | 138 | 145 | 14.8 | 3.5 | 17.54 |
| MWR-145X9.5X2.5 | 140 | 145 | 9.5 | 2.5 | 24.21 |
| MWR-150X12.2X6-SC | 138 | 150 | 12.2 | 6 | 67.80 |
| MWR-150X17.5X6 | 138 | 150 | 17.5 | 6 | 44.24 |
| MWR-150X14.8X3.5 | 143 | 150 | 14.8 | 3.5 | 18.88 |
| MWR-150X20.9X3.5-SC | 143 | 150 | 20.9 | 3.5 | 23.60 |
| MWR-150X35X3.5 | 143 | 150 | 35 | 3.5 | 55.50 |
| MWR-150X45X3.5-SC | 143 | 150 | 45 | 3.5 | 66.90 |
| MWR-160X15X6-SC | 148 | 160 | 15 | 6 | 26.34 |
| MWR-160X20X6 | 148 | 160 | 20 | 6 | 71.46 |
| MWR-160X20X3.5 | 153 | 160 | 20 | 3.5 | 49.31 |
| MWR-160X20.3X3.5-SC | 153 | 160 | 20.3 | 3.5 | 38.80 |
| MWR-160X40X3.5 | 153 | 160 | 40 | 3.5 | 60.74 |
| MWR-160X45X3.5-SC | 153 | 160 | 45 | 3.5 | 70.27 |
| MWR-160X20X3.12 | 153.76 | 160 | 20 | 3.12 | 19.16 |
| MWR-170X20X6-SC | 158 | 170 | 20 | 6 | 87.59 |
| MWR-170X9.35X4-SC | 162 | 170 | 9.35 | 4 | 65.17 |
| MWR-170X9.5X4-SC | 162 | 170 | 9.5 | 4 | 23.10 |
| MWR-170X50X4-SC | 162 | 170 | 50 | 4 | 97.65 |
| MWR-170X25X3.8-SC | 162.4 | 170 | 25 | 3.8 | 44.43 |
| MWR-180X22.7X6-SC | 168 | 180 | 22.7 | 6 | 80.86 |
| MWR-180X22.5X4 | 172 | 180 | 22.5 | 4 | 72.03 |
| MWR-180X28.2X4-SC | 172 | 180 | 28.2 | 4 | 53.20 |
| MWR-180X45X4 | 172 | 180 | 45 | 4 | 22.21 |
| MWR-180X55X4-SC | 172 | 180 | 55 | 4 | 110.51 |
| MWR-180X20X3 | 174 | 180 | 20 | 3 | 20.72 |
| MWR-185X22.5X6 | 173 | 185 | 22.5 | 6 | 80.86 |
| MWR-190X9.2X4-SC | 182 | 190 | 9.2 | 4 | 13.84 |
| MWR-190X9.5X4-SC | 182 | 190 | 9.5 | 4 | 46.06 |
| MWR-190X28.5X4-SC | 182 | 190 | 28.5 | 4 | 55.33 |
| MWR-190X45X4 | 182 | 190 | 45 | 4 | 84.17 |
| MWR-190X55X4-SC | 182 | 190 | 55 | 4 | 88.00 |
| MWR-200X22.5X6 | 188 | 200 | 22.5 | 6 | 74.99 |
| MWR-200X22X4 | 192 | 200 | 22 | 4 | 22.84 |
| MWR-200X22.5X4 | 192 | 200 | 22.5 | 4 | 41.44 |
| MWR-200X45X4 | 192 | 200 | 45 | 4 | 46.62 |
| MWR-200X60X3.25-SC | 193.5 | 200 | 60 | 3.25 | 178.26 |
| MWR-200X20X3.12 | 193.76 | 200 | 20 | 3.12 | 32.27 |
| MWR-200X18.9X3-SC | 194 | 200 | 18.9 | 3 | 29.05 |
| MWR-210X28.5X4-SC | 202 | 210 | 28.3 | 4 | 60.78 |
| MWR-220X38X3.25-SC | 213.5 | 220 | 38 | 3.25 | 70.77 |
| MWR-220X60X3.25-SC | 213.5 | 220 | 60 | 3.25 | 187.64 |

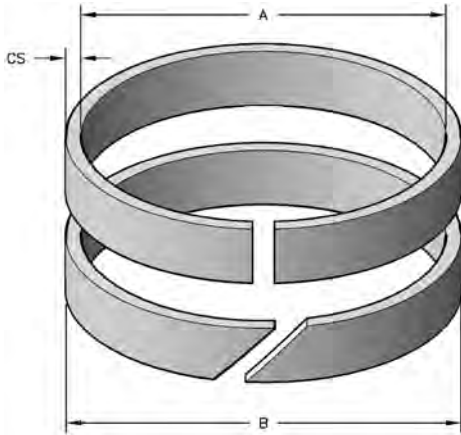
| Part Number | A Nom. ID | B Nom. OD | C Nom. Ht | Nom. Cross Section | List Price |
|----------------|-----------|-----------|-----------|--------------------|------------|
| MWR-225X25X6 | 213 | 225 | 25 | 6 | 95.05 |
| MWR-225X25X4 | 217 | 225 | 25 | 4 | 84.05 |
| MWR-225X50X4 | 217 | 225 | 50 | 4 | 84.32 |
| MWR-250X27.5X6 | 238 | 250 | 27.5 | 6 | 103.41 |
| MWR-250X55X4 | 242 | 250 | 55 | 4 | 108.31 |
| MWR-260X27.5X6 | 248 | 260 | 27.5 | 6 | 161.59 |
| MWR-280X60X4 | 272 | 280 | 60 | 4 | 149.60 |
| MWR-300X30X6 | 288 | 300 | 30 | 6 | 204.92 |

WEAR RINGS



STYLE MWRB WEAR RINGS

Fabricated from fine woven fabric and phenolic resins, this wear ring is strong yet light weight with an excellent wear rate.



HERCULES PART NUMBERS

MWRB - 30 X 10 X 2.5
 Type of Seal Outside Diameter Width Cross Section

Suffix:
 SC = Scarf Cut Ring.

SEAL INFORMATION

| | |
|----------------------|-----------------|
| MATERIAL | PHENOLIC |
| TEMPERATURE RANGE | -40° TO +250° F |
| SPEED | 3 FT/SEC |
| COMPRESSIVE STRENGTH | 16,000 PSI |
| TENSILE STRENGTH | 10,600 PSI |

WEAR RINGS

| Part Number | A Nom. ID | B Nom. OD | C Nom. Ht | Nom. Cross Section | List Price |
|--------------------|-----------|-----------|-----------|--------------------|------------|
| MWRB-155X85X2.5-SC | 150 | 155 | 85 | 2.5 | \$155.65 |
| MWRB-25X4X1.5-SC | 22 | 25 | 4 | 1.5 | 16.88 |
| MWRB-30X10X2.5-SC | 25 | 30 | 10 | 2.5 | 6.10 |
| MWRB-33X5.3X2.5-SC | 28 | 33 | 5.3 | 2.5 | 5.15 |
| MWRB-35X16X1.5-SC | 32 | 35 | 16 | 1.5 | 5.34 |
| MWRB-36X8.2X2-SC | 32 | 36 | 8.2 | 2 | 3.97 |
| MWRB-36X9.5X2-SC | 32 | 36 | 9.5 | 2 | 5.36 |
| MWRB-36X20X2 | 32 | 36 | 20 | 2 | 10.08 |
| MWRB-37X10X2.5-SC | 32 | 37 | 10 | 2.5 | 6.82 |
| MWRB-39X25X2 | 35 | 39 | 25 | 2 | 16.03 |
| MWRB-40X5.5X2.5-SC | 35 | 40 | 5.5 | 2.5 | 2.88 |
| MWRB-40X9.5X2.5 | 35 | 40 | 9.5 | 2.5 | 7.29 |
| MWRB-40X9.7X2-SC | 36 | 40 | 9.7 | 2 | 6.38 |
| MWRB-41X5.6X2.5-SC | 36 | 41 | 5.6 | 2.5 | 2.95 |
| MWRB-41X9.7X2.5-SC | 36 | 41 | 9.7 | 2.5 | 4.28 |
| MWRB-44X9.7X2 | 40 | 44 | 9.7 | 2 | 9.75 |
| MWRB-44X20X2 | 40 | 44 | 20 | 2 | 14.67 |
| MWRB-44X40X2 | 40 | 44 | 40 | 2 | 19.58 |
| MWRB-45X14.5X3 | 39 | 45 | 14.5 | 3 | 11.26 |
| MWRB-45X10X2.5-SC | 40 | 45 | 9.9 | 2.5 | 2.28 |
| MWRB-45X14X2.5-SC | 40 | 45 | 14 | 2.5 | 1.82 |
| MWRB-45X15X2.5-SC | 40 | 45 | 15 | 2.5 | 5.14 |
| MWRB-45X20X2.5 | 40 | 45 | 20 | 2.5 | 10.58 |
| MWRB-45X32X2.5-SC | 40 | 45 | 32 | 2.5 | 14.81 |
| MWRB-46X10X3 | 40 | 46 | 10 | 3 | 6.86 |
| MWRB-46X20X3 | 40 | 46 | 20 | 3 | 11.26 |
| MWRB-47X5.7X2.5-SC | 42 | 47 | 5.7 | 2.5 | 11.41 |
| MWRB-49X8X2-SC | 45 | 49 | 8 | 2 | 4.94 |
| MWRB-49X25X2 | 45 | 49 | 25 | 2 | 8.45 |
| MWRB-50X12.6X3.3 | 43.4 | 50 | 12.6 | 3.3 | 8.54 |
| MWRB-50X5X2.5 | 45 | 50 | 5 | 2.5 | 4.03 |
| MWRB-50X6X2.5-SC | 45 | 50 | 6 | 2.5 | 3.97 |
| MWRB-50X6.8X2.5 | 45 | 50 | 6.8 | 2.5 | 7.08 |
| MWRB-50X9X2.5 | 45 | 50 | 9 | 2.5 | 5.33 |
| MWRB-50X9.7X2.5 | 45 | 50 | 9.7 | 2.5 | 9.75 |
| MWRB-50X9.7X2.5-SC | 45 | 50 | 9.7 | 2.5 | 9.75 |
| MWRB-50X10X2.5 | 45 | 50 | 10 | 2.5 | 8.36 |
| MWRB-50X15X2.5 | 45 | 50 | 15 | 2.5 | 9.28 |

| Part Number | A Nom. ID | B Nom. OD | C Nom. Ht | Nom. Cross Section | List Price |
|----------------------|-----------|-----------|-----------|--------------------|------------|
| MWRB-50X20X2.5 | 45 | 50 | 20 | 2.5 | 11.44 |
| MWRB-50X28X2.5-SC | 45 | 50 | 28 | 2.5 | 3.14 |
| MWRB-50X30X2.5-SC | 45 | 50 | 30 | 2.5 | 9.70 |
| MWRB-50X9.7X2-SC | 46 | 50 | 9.7 | 2 | 4.94 |
| MWRB-50X10.2X2-SC | 46 | 50 | 10.2 | 2 | 5.86 |
| MWRB-50X14.5X2 | 46 | 50 | 14.5 | 2 | 9.14 |
| MWRB-50X10X1.9-SC | 46.2 | 50 | 10 | 1.9 | 8.28 |
| MWRB-51X22.5X3 | 45 | 51 | 22.5 | 3 | 16.25 |
| MWRB-55X15.5X3 | 49 | 55 | 15.5 | 3 | 16.25 |
| MWRB-55X5.4X2.5-SC | 50 | 55 | 5.4 | 2.5 | 4.36 |
| MWRB-55X5.6X2.5-SC | 50 | 55 | 5.6 | 2.5 | 3.35 |
| MWRB-55X7.9X2.5 | 50 | 55 | 7.9 | 2.5 | 5.70 |
| MWRB-55X9.5X2.5-SC | 50 | 55 | 9.5 | 2.5 | 8.11 |
| MWRB-55X9.7X2.5 | 50 | 55 | 9.7 | 2.5 | 6.62 |
| MWRB-55X14.7X2.5-SC | 50 | 55 | 14.7 | 2.5 | 10.96 |
| MWRB-55X15X2.5 | 50 | 55 | 15 | 2.5 | 11.44 |
| MWRB-55X16X2.5-SC | 50 | 55 | 16 | 2.5 | 2.03 |
| MWRB-55X20X2.5 | 50 | 55 | 20 | 2.5 | 12.97 |
| MWRB-55X29.5X2.5-SC | 50 | 55 | 29.5 | 2.5 | 9.37 |
| MWRB-55X30X2.5-SC | 50 | 55 | 30 | 2.5 | 10.68 |
| MWRB-55X32X2.5-SC | 50 | 55 | 32 | 2.5 | 12.35 |
| MWRB-55X35X2.5-SC | 50 | 55 | 35 | 2.5 | 14.51 |
| MWRB-55X10X2-SC | 51 | 55 | 10 | 2 | 5.42 |
| MWRB-56X25X3 | 50 | 56 | 25 | 3 | 13.12 |
| MWRB-56X29.5X3 | 50 | 56 | 29.5 | 3 | 12.35 |
| MWRB-58X30X4-SC | 50 | 58 | 30 | 4 | 14.69 |
| MWRB-60X12.7X3 | 54 | 60 | 12.7 | 3 | 11.06 |
| MWRB-60X12.3X2.85-SC | 54.3 | 60 | 12.3 | 2.85 | 5.27 |
| MWRB-60X7X2.5-SC | 55 | 60 | 7 | 2.5 | 4.94 |
| MWRB-60X9.5X2.5 | 55 | 60 | 9.5 | 2.5 | 7.57 |
| MWRB-60X9.7X2.5-SC | 55 | 60 | 9.7 | 2.5 | 5.93 |
| MWRB-60X10X2.5 | 55 | 60 | 10 | 2.5 | 9.28 |
| MWRB-60X14.5X2.5-SC | 55 | 60 | 14.5 | 2.5 | 10.32 |
| MWRB-60X15X2.5-SC | 55 | 60 | 15 | 2.5 | 6.91 |
| MWRB-60X18X2.5-SC | 55 | 60 | 18 | 2.5 | 5.95 |
| MWRB-60X20X2.5 | 55 | 60 | 20 | 2.5 | 10.81 |
| MWRB-60X10X2-SC | 56 | 60 | 10 | 2 | 5.42 |
| MWRB-62X25X3 | 56 | 62 | 25 | 3 | 13.60 |

NORTH AMERICA
 PHONE 1-800-777-5617
 FAX 1-800-759-6391

SALES OFFICE HOURS
 8 A.M. TO 7:30 P.M. EASTERN TIME
 www.HerculesUS.com

WORLDWIDE
 PHONE 1-727-796-1300
 FAX 1-727-797-8849



STYLE MWRB WEAR RINGS

| Part Number | A Nom. ID | B Nom. OD | C Nom. Ht | Nom. Cross Section | List Price |
|----------------------|-----------|-----------|-----------|--------------------|------------|
| MWRB-63X15.7X3-SC | 57 | 63 | 15.7 | 3 | 15.70 |
| MWRB-63X5.3X2.5-SC | 58 | 63 | 5.3 | 2.5 | 5.75 |
| MWRB-63X5.6X2.5-SC | 58 | 63 | 5.6 | 2.5 | 4.43 |
| MWRB-63X7X2.5-SC | 58 | 63 | 7 | 2.5 | 16.37 |
| MWRB-63X9.7X2.5 | 58 | 63 | 9.7 | 2.5 | 8.78 |
| MWRB-63X15X2.5 | 58 | 63 | 15 | 2.5 | 17.22 |
| MWRB-63.2X10X2.5-SC | 58.2 | 63.2 | 9.84 | 2.5 | 10.21 |
| MWRB-65X15.5X3 | 59 | 65 | 15.5 | 3 | 13.99 |
| MWRB-65X15X2.5-SC | 60 | 65 | 15 | 2.5 | 7.23 |
| MWRB-65X18X2.5-SC | 60 | 65 | 18 | 2.5 | 2.73 |
| MWRB-65X19.7X2.5 | 60 | 65 | 19.7 | 2.5 | 12.84 |
| MWRB-65X20.1X2.5-SC | 60 | 65 | 20.1 | 2.5 | 3.04 |
| MWRB-65X25X2.5 | 60 | 65 | 25 | 2.5 | 16.27 |
| MWRB-65X39.35X2.5-SC | 60 | 65 | 39.35 | 2.5 | 7.89 |
| MWRB-66X29.7X3 | 60 | 66 | 29.7 | 3 | 14.56 |
| MWRB-68X9.4X2.5-SC | 63 | 68 | 9.4 | 2.5 | 9.49 |
| MWRB-68X9.7X2.5 | 63 | 68 | 9.7 | 2.5 | 10.53 |
| MWRB-68X25X2.5-SC | 63 | 68 | 25 | 2.5 | 10.49 |
| MWRB-69X29.75X3-SC | 63 | 69 | 29.75 | 3 | 7.56 |
| MWRB-69X30X3-SC | 63 | 69 | 30 | 3 | 7.56 |
| MWRB-69X31.5X3-SC | 63 | 69 | 31.5 | 3 | 11.64 |
| MWRB-69X35X2-SC | 65 | 69 | 35 | 2 | 11.48 |
| MWRB-70X12.4X3 | 64 | 70 | 12.4 | 3 | 7.41 |
| MWRB-70X15X3-SC | 64 | 70 | 15 | 3 | 11.73 |
| MWRB-70X15.5X3 | 64 | 70 | 15.5 | 3 | 11.73 |
| MWRB-70X19.5X3 | 64 | 70 | 19.5 | 3 | 17.60 |
| MWRB-70X12.3X2.85-SC | 64.3 | 70 | 12.3 | 2.85 | 5.51 |
| MWRB-70X5.3X2.5-SC | 65 | 70 | 5.3 | 2.5 | 4.60 |
| MWRB-70X6.8X2.5-SC | 65 | 70 | 6.8 | 2.5 | 4.72 |
| MWRB-70X9.5X2.5-SC | 65 | 70 | 9.5 | 2.5 | 6.17 |
| MWRB-70X10X2.5 | 65 | 70 | 10 | 2.5 | 5.42 |
| MWRB-70X12X2.5 | 65 | 70 | 12 | 2.5 | 7.41 |
| MWRB-70X14.8X2.5 | 65 | 70 | 14.8 | 2.5 | 6.33 |
| MWRB-70X20X2.5 | 65 | 70 | 20 | 2.5 | 13.77 |
| MWRB-70X30X2.5 | 65 | 70 | 30 | 2.5 | 17.60 |
| MWRB-70X35X2.5-SC | 65 | 70 | 35 | 2.5 | 11.51 |
| MWRB-70X10X2-SC | 66 | 70 | 10 | 2 | 7.15 |
| MWRB-75X10X3 | 69 | 75 | 10 | 3 | 2.56 |
| MWRB-75X15X3-SC | 69 | 75 | 14.9 | 3 | 8.54 |
| MWRB-75X19.6X3-SC | 69 | 75 | 19.6 | 3 | 14.51 |
| MWRB-75X25X3-SC | 69 | 75 | 24.9 | 3 | 16.88 |
| MWRB-75X9.5X2.5-SC | 70 | 75 | 9.5 | 2.5 | 6.12 |
| MWRB-75X10X2.5 | 70 | 75 | 10 | 2.5 | 11.15 |
| MWRB-75X14.5X2.5 | 70 | 75 | 14.5 | 2.5 | 19.33 |
| MWRB-75X18X2.5-SC | 70 | 75 | 18 | 2.5 | 3.20 |
| MWRB-75X20X2.5-SC | 70 | 75 | 20 | 2.5 | 13.92 |
| MWRB-75X30X2.5 | 70 | 75 | 30 | 2.5 | 19.31 |
| MWRB-75X40X2.5-SC | 70 | 75 | 40 | 2.5 | 17.43 |
| MWRB-75X45X2.5-SC | 70 | 75 | 45 | 2.5 | 18.25 |
| MWRB-75X50X2.5-SC | 70 | 75 | 50 | 2.5 | 19.75 |
| MWRB-75X56X2.5-SC | 70 | 75 | 56 | 2.5 | 22.22 |
| MWRB-76X31.5X3.12-SC | 69.76 | 76 | 31.5 | 3.12 | 18.12 |
| MWRB-76X35X3-SC | 70 | 76 | 35 | 3 | 13.47 |
| MWRB-76X39.7X3 | 70 | 76 | 39.7 | 3 | 9.77 |
| MWRB-80X10X3-SC | 74 | 80 | 10 | 3 | 3.53 |
| MWRB-80X15X3-SC | 74 | 80 | 15 | 3 | 8.71 |
| MWRB-80X15.5X3 | 74 | 80 | 15.5 | 3 | 13.60 |

| Part Number | A Nom. ID | B Nom. OD | C Nom. Ht | Nom. Cross Section | List Price |
|----------------------|-----------|-----------|-----------|--------------------|------------|
| MWRB-80X15.7X3-SC | 74 | 80 | 15.7 | 3 | 5.34 |
| MWRB-80X19.5X3 | 74 | 80 | 19.5 | 3 | 15.76 |
| MWRB-80X24.6X3-SC | 74 | 80 | 24.6 | 3 | 21.32 |
| MWRB-80X5.4X2.5-SC | 75 | 80 | 5.4 | 2.5 | 5.76 |
| MWRB-80X9.7X2.5-SC | 75 | 80 | 9.7 | 2.5 | 6.08 |
| MWRB-80X10X2.5 | 75 | 80 | 10 | 2.5 | 6.17 |
| MWRB-80X14.5X2.5 | 75 | 80 | 14.5 | 2.5 | 13.66 |
| MWRB-80X15X2.5-SC | 75 | 80 | 15 | 2.5 | 8.05 |
| MWRB-80X20X2.5 | 75 | 80 | 20 | 2.5 | 14.96 |
| MWRB-80X20X2.5-SC | 75 | 80 | 20 | 2.5 | 21.32 |
| MWRB-80X32X2.5-SC | 75 | 80 | 32 | 2.5 | 22.56 |
| MWRB-80X50X2.5-SC | 75 | 80 | 50 | 2.5 | 28.11 |
| MWRB-80X10X2-SC | 76 | 80 | 10 | 2 | 5.93 |
| MWRB-85X15X4-SC | 77 | 85 | 15 | 4 | 7.61 |
| MWRB-85X10X3 | 79 | 85 | 10 | 3 | 2.93 |
| MWRB-85X12.5X3-SC | 79 | 85 | 12.5 | 3 | 7.89 |
| MWRB-85X20X3-SC | 79 | 85 | 20 | 3 | 9.58 |
| MWRB-85X25X3-SC | 79 | 85 | 25 | 3 | 21.32 |
| MWRB-85X5.5X2.5 | 80 | 85 | 5.5 | 2.5 | 3.85 |
| MWRB-85X9.7X2.5 | 80 | 85 | 9.7 | 2.5 | 11.06 |
| MWRB-85X9.7X2.5-SC | 80 | 85 | 9.7 | 2.5 | 11.06 |
| MWRB-85X18X2.5-SC | 80 | 85 | 18 | 2.5 | 3.59 |
| MWRB-85X19.7X2.5 | 80 | 85 | 19.7 | 2.5 | 16.27 |
| MWRB-85X25X2.5-SC | 80 | 85 | 25 | 2.5 | 21.32 |
| MWRB-85X29.7X2.5-SC | 80 | 85 | 29.7 | 2.5 | 24.35 |
| MWRB-85X35X2.5 | 80 | 85 | 35 | 2.5 | 25.95 |
| MWRB-85X40X2.5-SC | 80 | 85 | 40 | 2.5 | 30.25 |
| MWRB-85X50X2.5-SC | 80 | 85 | 50 | 2.5 | 32.16 |
| MWRB-86X40X3 | 80 | 86 | 40 | 3 | 31.50 |
| MWRB-86X49.5X3 | 80 | 86 | 49.5 | 3 | 20.17 |
| MWRB-90X12.5X4.5 | 81 | 90 | 12.5 | 4.5 | 27.50 |
| MWRB-90X6X4-SC | 82 | 90 | 6 | 4 | 7.73 |
| MWRB-90X15X4-SC | 82 | 90 | 15 | 4 | 11.03 |
| MWRB-90X25X3.2-SC | 83.6 | 90 | 25 | 3.2 | 22.79 |
| MWRB-90X10X3 | 84 | 90 | 10 | 3 | 13.47 |
| MWRB-90X12.5X3 | 84 | 90 | 12.5 | 3 | 14.83 |
| MWRB-90X20X3-SC | 84 | 90 | 20 | 3 | 10.80 |
| MWRB-90X24.6X3-SC | 84 | 90 | 24.6 | 3 | 29.21 |
| MWRB-90X25X3 | 84 | 90 | 25 | 3 | 21.63 |
| MWRB-90X5X2.5 | 85 | 90 | 5 | 2.5 | 6.19 |
| MWRB-90X8X2.5-SC | 85 | 90 | 8 | 2.5 | 11.18 |
| MWRB-90X9.7X2.5-SC | 85 | 90 | 9.7 | 2.5 | 4.36 |
| MWRB-90X15X2.5-SC | 85 | 90 | 15 | 2.5 | 9.70 |
| MWRB-90X15X2-SC | 86 | 90 | 15 | 2 | 12.49 |
| MWRB-95X9.7X4-SC | 87 | 95 | 9.7 | 4 | 11.18 |
| MWRB-95X14.8X4-SC | 87 | 95 | 14.8 | 4 | 20.08 |
| MWRB-95X12.4X3-SC | 89 | 95 | 12.4 | 3 | 7.69 |
| MWRB-95X12.5X3-SC | 89 | 95 | 12.5 | 3 | 5.86 |
| MWRB-95X6X2.5 | 90 | 95 | 6 | 2.5 | 10.66 |
| MWRB-95X7.9X2.5 | 90 | 95 | 7.9 | 2.5 | 11.59 |
| MWRB-95X9.5X2.5 | 90 | 95 | 9.5 | 2.5 | 12.51 |
| MWRB-95X14.8X2.5 | 90 | 95 | 15 | 2.5 | 16.25 |
| MWRB-95X15X2.5 | 90 | 95 | 15 | 2.5 | 32.05 |
| MWRB-95X10X2-SC | 91 | 95 | 10 | 2 | 7.41 |
| MWRB-96X25X3-SC | 90 | 96 | 25 | 3 | 6.80 |
| MWRB-96X29X3-SC | 90 | 96 | 29 | 3 | 20.61 |
| MWRB-100X12.5X4.5-SC | 91 | 100 | 12.5 | 4.5 | 12.67 |

WEAR RINGS

FORMERLY LISTED SEALS ARE AVAILABLE ONLINE AT WWW.HERCULESUS.COM
OR BY CONTACTING YOUR REGIONAL HERCULES SALES TEAM.



STYLE MWRB WEAR RINGS

WEAR RINGS

| Part Number | A Nom. ID | B Nom. OD | C Nom. Ht | Nom. Cross Section | List Price |
|-----------------------|-----------|-----------|-----------|--------------------|------------|
| MWRB-100X5.9X4-SC | | 100 | 5.9 | 4 | 16.16 |
| MWRB-100X17X3.4-SC | 93.2 | 100 | 17 | 3.4 | 4.71 |
| MWRB-100X25X3.2-SC | 93.6 | 100 | 25 | 3.2 | 25.40 |
| MWRB-100X40X3.12 | 93.76 | 100 | 40 | 3.12 | 42.28 |
| MWRB-100X9.2X3 | 94 | 100 | 9.2 | 3 | 6.41 |
| MWRB-100X10X3-SC | 94 | 100 | 10 | 3 | 5.44 |
| MWRB-100X12.5X3 | 94 | 100 | 12.5 | 3 | 13.92 |
| MWRB-100X14.8X3 | 94 | 100 | 14.8 | 3 | 16.55 |
| MWRB-100X20X3-SC | 94 | 100 | 20 | 3 | 13.15 |
| MWRB-100X25X3 | 94 | 100 | 25 | 3 | 23.17 |
| MWRB-100X25X3-SC | 94 | 100 | 25 | 3 | 23.17 |
| MWRB-100X30X3 | 94 | 100 | 30 | 3 | 25.95 |
| MWRB-100X30X3-SC | 94 | 100 | 30 | 3 | 10.70 |
| MWRB-100X12.3X2.85-SC | 94.3 | 100 | 12.3 | 2.85 | 7.87 |
| MWRB-100X5.5X2.5-SC | 95 | 100 | 5.5 | 2.5 | 3.00 |
| MWRB-100X6X2.5-SC | 95 | 100 | 6 | 2.5 | 11.88 |
| MWRB-100X7.9X2.5 | 95 | 100 | 7.9 | 2.5 | 11.92 |
| MWRB-100X9.5X2.5 | 95 | 100 | 9.5 | 2.5 | 12.98 |
| MWRB-100X9.6X2.5 | 95 | 100 | 9.6 | 2.5 | 11.72 |
| MWRB-100X12.8X2.5 | 95 | 100 | 12.8 | 2.5 | 24.17 |
| MWRB-100X14.7X2.5-SC | 95 | 100 | 14.7 | 2.5 | 15.98 |
| MWRB-100X14.8X2.5 | 95 | 100 | 14.8 | 2.5 | 15.90 |
| MWRB-100X25X2.5-SC | 95 | 100 | 25 | 2.5 | 18.04 |
| MWRB-101X39.5X3 | 95 | 101 | 39.5 | 3 | 13.29 |
| MWRB-104X25X4 | 96 | 104 | 25 | 4 | 19.52 |
| MWRB-105X24.5X4 | 97 | 105 | 24.5 | 4 | 19.52 |
| MWRB-105X9.7X3-SC | 99 | 105 | 9.7 | 3 | 9.21 |
| MWRB-105X15X3-SC | 99 | 105 | 15 | 3 | 18.06 |
| MWRB-105X24.5X3 | 99 | 105 | 24.5 | 3 | 24.23 |
| MWRB-105X6X2.5 | 100 | 105 | 6 | 2.5 | 11.26 |
| MWRB-105X7.9X2.5 | 100 | 105 | 7.9 | 2.5 | 12.67 |
| MWRB-105X9.5X2.5 | 100 | 105 | 9.5 | 2.5 | 13.60 |
| MWRB-105X14.8X2.5 | 100 | 105 | 14.8 | 2.5 | 16.36 |
| MWRB-105X15X2.5-SC | 100 | 105 | 15 | 2.5 | 17.95 |
| MWRB-105X60.1X2.5-SC | 100 | 105 | 60.1 | 2.5 | 39.37 |
| MWRB-108X18X4-SC | 100 | 108 | 18 | 4 | 6.04 |
| MWRB-110X15X5-SC | 100 | 110 | 15 | 5 | 11.83 |
| MWRB-110X5.9X4-SC | 102 | 110 | 5.9 | 4 | 16.16 |
| MWRB-110X15X4 | 102 | 110 | 15 | 4 | 23.20 |
| MWRB-110X14X3.5-SC | 103 | 110 | 14 | 3.5 | 4.52 |
| MWRB-110X12.5X3 | 104 | 110 | 12.5 | 3 | 14.02 |
| MWRB-110X15X3-SC | 104 | 110 | 15 | 3 | 18.64 |
| MWRB-110X25X3 | 104 | 110 | 25 | 3 | 25.04 |
| MWRB-110X30X3 | 104 | 110 | 30 | 3 | 27.81 |
| MWRB-110X6X2.5 | 105 | 110 | 6 | 2.5 | 13.92 |
| MWRB-110X7.9X2.5 | 105 | 110 | 7.9 | 2.5 | 12.67 |
| MWRB-110X9.5X2.5 | 105 | 110 | 9.5 | 2.5 | 13.60 |
| MWRB-110X14.8X2.5 | 105 | 110 | 14.8 | 2.5 | 16.66 |
| MWRB-110X15X2.5-SC | 105 | 110 | 15 | 2.5 | 11.18 |
| MWRB-113X20X4-SC | 105 | 113 | 20 | 4 | 23.17 |
| MWRB-115X10X4.5-SC | 106 | 115 | 10 | 4.5 | 18.91 |
| MWRB-115X15X4.5 | 106 | 115 | 15 | 4.5 | 20.40 |
| MWRB-115X15X4-SC | 107 | 115 | 15 | 4 | 13.00 |
| MWRB-115X24.7X4 | 107 | 115 | 24.7 | 4 | 20.16 |
| MWRB-115X9.7X3-SC | 109 | 115 | 9.7 | 3 | 12.00 |
| MWRB-115X15X3-SC | 109 | 115 | 15 | 3 | 18.33 |
| MWRB-115X7.9X2.5 | 110 | 115 | 7.9 | 2.5 | 12.84 |

| Part Number | A Nom. ID | B Nom. OD | C Nom. Ht | Nom. Cross Section | List Price |
|-----------------------|-----------|-----------|-----------|--------------------|------------|
| MWRB-115X9.5X2.5 | 110 | 115 | 9.5 | 2.5 | 13.92 |
| MWRB-115X14.8X2.5 | 110 | 115 | 14.8 | 2.5 | 17.29 |
| MWRB-118X30X4-SC | 110 | 118 | 30 | 4 | 27.39 |
| MWRB-120X15X5-SC | 110 | 120 | 15 | 5 | 14.96 |
| MWRB-120X15X4.5 | 111 | 120 | 15 | 4.5 | 36.75 |
| MWRB-120X5.9X4-SC | 112 | 120 | 5.9 | 4 | 17.29 |
| MWRB-120X14X3.5-SC | 113 | 120 | 14 | 3.5 | 5.00 |
| MWRB-120X14.8X3.5 | 113 | 120 | 14.8 | 3.5 | 17.94 |
| MWRB-120X30X3.5 | 113 | 120 | 30 | 3.5 | 51.83 |
| MWRB-120X9.7X3-SC | 114 | 120 | 9.7 | 3 | 9.70 |
| MWRB-120X12.4X3 | 114 | 120 | 12.4 | 3 | 11.41 |
| MWRB-120X14.8X3 | 114 | 120 | 14.8 | 3 | 17.94 |
| MWRB-120X25X3 | 114 | 120 | 25 | 3 | 24.11 |
| MWRB-120X30X3 | 114 | 120 | 30 | 3 | 29.51 |
| MWRB-120X12.3X2.85-SC | 114.3 | 120 | 12.3 | 2.85 | 8.71 |
| MWRB-120X7.9X2.5 | 115 | 120 | 7.9 | 2.5 | 13.29 |
| MWRB-120X9.5X2.5 | 115 | 120 | 9.5 | 2.5 | 14.83 |
| MWRB-120X14.8X2.5 | 115 | 120 | 14.8 | 2.5 | 17.76 |
| MWRB-120X25X2.5-SC | 115 | 120 | 25 | 2.5 | 17.27 |
| MWRB-125X15X5-SC | 115 | 125 | 15 | 5 | 14.96 |
| MWRB-125X14.8X3.5 | 118 | 125 | 14.8 | 3.5 | 22.73 |
| MWRB-125X16.8X3.5 | 118 | 125 | 16.8 | 3.5 | 9.19 |
| MWRB-125X48X3.2-SC | 118.6 | 125 | 48 | 3.2 | 34.61 |
| MWRB-125X9.7X3-SC | 119 | 125 | 9.7 | 3 | 10.21 |
| MWRB-125X9.9X3-SC | 119 | 125 | 9.9 | 3 | 14.83 |
| MWRB-125X14.8X3 | 119 | 125 | 14.8 | 3 | 22.73 |
| MWRB-125X19.8X3 | 119 | 125 | 19.8 | 3 | 15.00 |
| MWRB-125X7.9X2.5 | 120 | 125 | 7.9 | 2.5 | 13.92 |
| MWRB-125X9.5X2.5 | 120 | 125 | 9.5 | 2.5 | 14.83 |
| MWRB-125X14.8X2.5 | 120 | 125 | 14.8 | 2.5 | 17.29 |
| MWRB-125X25X2.5-SC | 120 | 125 | 25 | 2.5 | 17.27 |
| MWRB-125X20X2-SC | 121 | 125 | 20 | 2 | 16.72 |
| MWRB-127X9.5X3 | 121 | 127 | 9.5 | 3 | 13.66 |
| MWRB-128X30X4-SC | 120 | 128 | 30 | 4 | 12.85 |
| MWRB-128X34.8X4-SC | 120 | 128 | 34.8 | 4 | 13.36 |
| MWRB-130X15X5 | 120 | 130 | 15 | 5 | 23.17 |
| MWRB-130X20X4 | 122 | 130 | 20 | 4 | 39.66 |
| MWRB-130X10X3.5-SC | 123 | 130 | 10 | 3.5 | 26.31 |
| MWRB-130X14.8X3.5 | 123 | 130 | 14.8 | 3.5 | 22.24 |
| MWRB-130X24X3.5-SC | 123 | 130 | 24 | 3.5 | 8.54 |
| MWRB-130X30X3.5 | 123 | 130 | 30 | 3.5 | 35.69 |
| MWRB-130X30X3 | 124 | 130 | 30 | 3 | 34.76 |
| MWRB-130X7.9X2.5 | 125 | 130 | 7.9 | 2.5 | 16.36 |
| MWRB-130X9.5X2.5 | 125 | 130 | 9.5 | 2.5 | 18.40 |
| MWRB-130X14.8X2.5 | 125 | 130 | 14.8 | 2.5 | 20.52 |
| MWRB-130X15X2.5-SC | 125 | 130 | 15 | 2.5 | 13.49 |
| MWRB-130X25X2.5-SC | 125 | 130 | 25 | 2.5 | 19.23 |
| MWRB-135X15X5 | 125 | 135 | 15 | 5 | 32.85 |
| MWRB-135X9.8X3.5-SC | 128 | 135 | 9.8 | 3.5 | 20.40 |
| MWRB-135X14.8X3.5 | 128 | 135 | 14.8 | 3.5 | 28.05 |
| MWRB-135X7.9X2.5 | 130 | 135 | 7.9 | 2.5 | 15.63 |
| MWRB-135X9.5X2.5 | 130 | 135 | 9.5 | 2.5 | 20.15 |
| MWRB-135X14.8X2.5 | 130 | 135 | 14.8 | 2.5 | 21.00 |
| MWRB-140X17.5X6 | 128 | 140 | 17.5 | 6 | 30.92 |
| MWRB-140X20X4 | 132 | 140 | 20 | 4 | 44.63 |
| MWRB-140X10X3.5-SC | 133 | 140 | 10 | 3.5 | 18.90 |
| MWRB-140X14.8X3.5 | 133 | 140 | 14.8 | 3.5 | 21.32 |

NORTH AMERICA
PHONE 1-800-777-5617
FAX 1-800-759-6391

SALES OFFICE HOURS
8 A.M. TO 7:30 P.M. EASTERN TIME
www.HerculesUS.com

WORLDWIDE
PHONE 1-727-796-1300
FAX 1-727-797-8849



STYLE MWRB WEAR RINGS

| Part Number | A Nom. ID | B Nom. OD | C Nom. Ht | Nom. Cross Section | List Price |
|-----------------------|-----------|-----------|-----------|--------------------|------------|
| MWRB-140X20X3.5 | 133 | 140 | 20 | 3.5 | 28.11 |
| MWRB-140X25X3.5-SC | 133 | 140 | 25 | 3.5 | 9.70 |
| MWRB-140X35X3.5 | 133 | 140 | 35 | 3.5 | 44.96 |
| MWRB-140X40X3.5 | 133 | 140 | 40 | 3.5 | 48.80 |
| MWRB-140X56X3.2-SC | 133.6 | 140 | 56 | 3.2 | 57.15 |
| MWRB-140X12X3-SC | 134 | 140 | 12 | 3 | 19.47 |
| MWRB-140X30X3-SC | 134 | 140 | 30 | 3 | 28.37 |
| MWRB-140X50X3-SC | 134 | 140 | 50 | 3 | 50.05 |
| MWRB-140X7.9X2.5 | 135 | 140 | 7.9 | 2.5 | 30.42 |
| MWRBG-140X9.4X2.5-SC | 135 | 140 | 9.4 | 2.5 | 8.89 |
| MWRB-140X9.5X2.5 | 135 | 140 | 9.5 | 2.5 | 17.94 |
| MWRB-140X9.5X2.5-SC | 135 | 140 | 9.5 | 2.5 | 17.94 |
| MWRB-140X14.8X2.5 | 135 | 140 | 14.8 | 2.5 | 21.32 |
| MWRB-140X20X2.5-SC | 135 | 140 | 20 | 2.5 | 30.76 |
| MWRB-145X9.5X3.5 | 138 | 145 | 9.5 | 3.5 | 19.00 |
| MWRB-145X14.8X3.5 | 138 | 145 | 14.8 | 3.5 | 23.64 |
| MWRB-145X20X3.5-SC | 138 | 145 | 20 | 3.5 | 25.18 |
| MWRB-145X7.9X2.5 | 140 | 145 | 7.9 | 2.5 | 19.35 |
| MWRB-145X9.5X2.5 | 140 | 145 | 9.5 | 2.5 | 17.94 |
| MWRB-145X14.8X2.5 | 140 | 145 | 14.8 | 2.5 | 21.92 |
| MWRB-145X25X2.5-SC | 140 | 145 | 25 | 2.5 | 20.56 |
| MWRB-150X7.8X4-SC | 142 | 150 | 7.8 | 4 | 17.80 |
| MWRB-150X50X4-SC | 142 | 150 | 49.9 | 4 | 33.61 |
| MWRB-150X14.8X3.5 | 143 | 150 | 14.8 | 3.5 | 24.42 |
| MWRB-150X20X3.5-SC | 143 | 150 | 20 | 3.5 | 30.04 |
| MWRB-150X22X3.5-SC | 143 | 150 | 22 | 3.5 | 18.47 |
| MWRB-150X25X3.5-SC | 143 | 150 | 25 | 3.5 | 10.45 |
| MWRB-150X30X3.5-SC | 143 | 150 | 30 | 3.5 | 25.82 |
| MWRB-150X35X3.5 | 143 | 150 | 35 | 3.5 | 47.26 |
| MWRB-150X40X3.5 | 143 | 150 | 40 | 3.5 | 47.41 |
| MWRB-150X51X3.2-SC | 143.6 | 150 | 51 | 3.2 | 57.87 |
| MWRB-150X20X3-SC | 144 | 150 | 20 | 3 | 27.81 |
| MWRB-150X42X3-SC | 144 | 150 | 42 | 3 | 47.41 |
| MWRB-150X7.9X2.5 | 145 | 150 | 7.9 | 2.5 | 16.66 |
| MWRB-150X9.5X2.5 | 145 | 150 | 9.5 | 2.5 | 18.08 |
| MWRB-150X12.5X2.5-SC | 145 | 150 | 12.5 | 2.5 | 18.22 |
| MWRB-150X14.8X2.5 | 145 | 150 | 14.8 | 2.5 | 22.55 |
| MWRB-150X20X2.5-SC | 145 | 150 | 20 | 2.5 | 17.60 |
| MWRB-155X9.5X2.5 | 150 | 155 | 9.5 | 2.5 | 18.23 |
| MWRB-155X14.8X2.5 | 150 | 155 | 14.8 | 2.5 | 22.86 |
| MWRB-158X23X5 | 148 | 158 | 23 | 5 | 26.03 |
| MWRB-160X20X6 | 148 | 160 | 20 | 6 | 38.01 |
| MWRB-160X9.1X4 | 152 | 160 | 9.1 | 4 | 11.37 |
| MWRB-160X14.8X3.5 | 153 | 160 | 14.8 | 3.5 | 31.50 |
| MWRB-160X20X3.5 | 153 | 160 | 20 | 3.5 | 31.83 |
| MWRB-160X25X3.5-SC | 153 | 160 | 25 | 3.5 | 11.16 |
| MWRB-160X30X3.5 | 153 | 160 | 30 | 3.5 | 44.67 |
| MWRB-160X40X3.5 | 153 | 160 | 40 | 3.5 | 57.46 |
| MWRB-160X19.3X3 | 154 | 160 | 19.3 | 3 | 25.45 |
| MWRB-160X19.35X3-SC | 154 | 160 | 19.35 | 3 | 25.45 |
| MWRB-160X20X3-SC | 154 | 160 | 20 | 3 | 31.32 |
| MWRB-160X35X3-SC | 154 | 160 | 35 | 3 | 38.95 |
| MWRB-160X50X3-SC | 154 | 160 | 50 | 3 | 57.46 |
| MWRB-160X7.9X2.5 | 155 | 160 | 7.9 | 2.5 | 64.56 |
| MWRB-160X9.5X2.5 | 155 | 160 | 9.5 | 2.5 | 19.60 |
| MWRB-160X12.5X2.5-SC | 155 | 160 | 12.5 | 2.5 | 14.15 |
| MWRB-160X14.35X2.5-SC | 155 | 160 | 14.35 | 2.5 | 17.67 |

| Part Number | A Nom. ID | B Nom. OD | C Nom. Ht | Nom. Cross Section | List Price |
|----------------------|-----------|-----------|-----------|--------------------|------------|
| MWRB-160X14.8X2.5 | 155 | 160 | 14.8 | 2.5 | 27.90 |
| MWRB-160X24.5X2.5 | 155 | 160 | 24.5 | 2.5 | 22.13 |
| MWRB-160X25X2.5 | 155 | 160 | 25 | 2.5 | 34.44 |
| MWRB-160X35X2.5 | 155 | 160 | 35 | 2.5 | 34.31 |
| MWRB-165X15X4 | 157 | 165 | 15 | 4 | 27.81 |
| MWRB-165X20X4 | 157 | 165 | 20 | 4 | 33.99 |
| MWRB-165X25.1X4-SC | 157 | 165 | 25.1 | 4 | 12.76 |
| MWRB-165X14.8X3.5 | 158 | 165 | 14.8 | 3.5 | 27.19 |
| MWRB-165X24.5X3.2-SC | 158.6 | 165 | 24.5 | 3.2 | 56.66 |
| MWRB-165X51X3.2-SC | 158.6 | 165 | 51 | 3.2 | 60.09 |
| MWRB-165X9.7X3-SC | 159 | 165 | 9.7 | 3 | 14.96 |
| MWRB-165X30X3-SC | 159 | 165 | 30 | 3 | 41.16 |
| MWRB-165X9.5X2.5 | 160 | 165 | 9.5 | 2.5 | 19.80 |
| MWRB-165X14.8X2.5 | 160 | 165 | 14.8 | 2.5 | 24.72 |
| MWRB-170X9.2X4-SC | 162 | 170 | 9.2 | 4 | 9.70 |
| MWRB-170X14.8X4-SC | 162 | 170 | 14.8 | 4 | 36.15 |
| MWRB-170X25X4-SC | 162 | 170 | 25 | 4 | 40.32 |
| MWRB-170X14.8X3.5 | 163 | 170 | 14.8 | 3.5 | 34.42 |
| MWRB-170X20X3.5-SC | 163 | 170 | 20 | 3.5 | 37.03 |
| MWRB-170X30X3.5-SC | 163 | 170 | 30 | 3.5 | 14.23 |
| MWRB-170X40X3.5 | 163 | 170 | 40 | 3.5 | 58.71 |
| MWRB-170X9.5X3-SC | 164 | 170 | 9.5 | 3 | 21.63 |
| MWRB-170X9.5X2.5 | 165 | 170 | 9.5 | 2.5 | 20.09 |
| MWRB-170X14.8X2.5 | 165 | 170 | 14.8 | 2.5 | 25.04 |
| MWRB-175X25X4-SC | 167 | 175 | 25 | 4 | 37.19 |
| MWRB-175X40X4 | 167 | 175 | 40 | 4 | 58.98 |
| MWRB-175X25X2.5-SC | 170 | 175 | 25 | 2.5 | 24.34 |
| MWRB-180X22.5X6 | 168 | 180 | 22.5 | 6 | 49.14 |
| MWRB-180X22X4 | 172 | 180 | 22 | 4 | 41.85 |
| MWRB-180X40X4 | 172 | 180 | 40 | 4 | 66.59 |
| MWRB-180X45X4 | 172 | 180 | 45 | 4 | 72.78 |
| MWRB-180X55X4 | 172 | 180 | 55 | 4 | 92.83 |
| MWRB-180X80X4-SC | 172 | 180 | 79.8 | 4 | 63.39 |
| MWRB-180X14.8X3.5 | 173 | 180 | 14.8 | 3.5 | 36.08 |
| MWRB-180X25X3.5-SC | 173 | 180 | 25 | 3.5 | 12.54 |
| MWRB-180X14.7X3-SC | 174 | 180 | 14.7 | 3 | 31.63 |
| MWRB-180X39.5X3 | 174 | 180 | 39.5 | 3 | 35.80 |
| MWRB-180X49.5X3 | 174 | 180 | 49.5 | 3 | 16.79 |
| MWRB-180X7.9X2.5 | 175 | 180 | 7.9 | 2.5 | 22.73 |
| MWRB-180X9.5X2.5 | 175 | 180 | 9.5 | 2.5 | 22.73 |
| MWRB-180X14.8X2.5 | 175 | 180 | 14.8 | 2.5 | 27.81 |
| MWRB-180X25X2.5 | 175 | 180 | 25 | 2.5 | 39.55 |
| MWRB-185X20X6-SC | 173 | 185 | 20 | 6 | 32.06 |
| MWRB-185X22.5X6 | 173 | 185 | 22.5 | 6 | 51.10 |
| MWRB-190X22.5X4-SC | 182 | 190 | 22.5 | 4 | 28.94 |
| MWRB-190X25X4-SC | 182 | 190 | 25 | 4 | 44.41 |
| MWRB-190X25X3.5-SC | 183 | 190 | 25 | 3.5 | 13.11 |
| MWRB-190X30X3.5-SC | 183 | 190 | 30 | 3.5 | 15.91 |
| MWRB-190X14.8X3-SC | 184 | 190 | 14.8 | 3 | 38.95 |
| MWRB-190X15X2.5 | 185 | 190 | 15 | 2.5 | 28.88 |
| MWRB-200X9X4-SC | 192 | 200 | 9 | 4 | 21.86 |
| MWRB-200X15X4-SC | 192 | 200 | 15 | 4 | 22.37 |
| MWRB-200X22X4 | 192 | 200 | 22 | 4 | 45.74 |
| MWRB-200X45X4 | 192 | 200 | 45 | 4 | 85.12 |
| MWRB-200X25X3.5-SC | 193 | 200 | 25 | 3.5 | 55.05 |
| MWRB-200X24.7X3.2-SC | 193.6 | 200 | 24.7 | 3.2 | 51.76 |
| MWRB-200X15X3-SC | 194 | 200 | 14.9 | 3 | 18.73 |

WEAR RINGS

FORMERLY LISTED SEALS ARE AVAILABLE ONLINE AT WWW.HERCULESUS.COM
OR BY CONTACTING YOUR REGIONAL HERCULES SALES TEAM.



STYLE MWRB WEAR RINGS

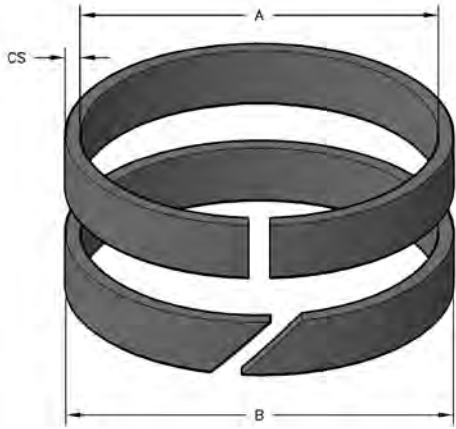
| Part Number | A Nom. ID | B Nom. OD | C Nom. Ht | Nom. Cross Section | List Price |
|----------------------|-----------|-----------|-----------|--------------------|------------|
| MWRB-200X19.4X3-SC | 194 | 200 | 19.4 | 3 | 23.93 |
| MWRB-200X30X3-SC | 194 | 200 | 29.9 | 3 | 25.20 |
| MWRB-200X9.7X2.5-SC | 195 | 200 | 9.7 | 2.5 | 15.95 |
| MWRB-200X25X2.5 | 195 | 200 | 25 | 2.5 | 49.59 |
| MWRB-205X120X2.5-SC | 200 | 205 | 120 | 2.5 | 177.59 |
| MWRB-210X9.2X4-SC | 202 | 210 | 9 | 4 | 11.39 |
| MWRB-215X19.5X3-SC | 209 | 215 | 19.5 | 3 | 21.49 |
| MWRB-220X24X4.5-SC | 211 | 220 | 23.95 | 4.5 | 46.33 |
| MWRB-220X33.9X4.5-SC | 211 | 220 | 33.9 | 4.5 | 33.33 |
| MWRB-225X25X4 | 217 | 225 | 25 | 4 | 31.62 |
| MWRB-225X45X4 | 217 | 225 | 45 | 4 | 157.12 |
| MWRB-225X50X4 | 217 | 225 | 50 | 4 | 78.27 |
| MWRB-225X19.4X3-SC | 219 | 225 | 19.4 | 3 | 22.53 |
| MWRB-230X25X4.5-SC | 221 | 230 | 25 | 4.5 | 18.99 |
| MWRB-230X28X4.5-SC | 221 | 230 | 28 | 4.5 | 101.53 |
| MWRBG-230X24.5X3-SC | 224 | 230 | 24.4 | 3 | 28.83 |
| MWRB-240X34X4.5-SC | 231 | 240 | 34 | 4.5 | 35.22 |
| MWRBG-240X24.4X3-SC | 234 | 240 | 24.4 | 3 | 29.56 |
| MWRB-250X27.5X6 | 238 | 250 | 27.5 | 6 | 85.28 |
| MWRB-250X34X4.5-SC | 241 | 250 | 34 | 4.5 | 26.54 |
| MWRB-250X50X4.5-SC | 241 | 250 | 50 | 4.5 | 41.30 |
| MWRB-250X9.7X4-SC | 242 | 250 | 9.7 | 4 | 65.11 |
| MWRB-250X25X2.5 | 245 | 250 | 25 | 2.5 | 49.27 |
| MWRB-260X34X4.5-SC | 251 | 260 | 34 | 4.5 | 27.63 |
| MWRB-260X50X4.5-SC | 251 | 260 | 50 | 4.5 | 42.97 |
| MWRB-260X65X4.5-SC | 251 | 260 | 65 | 4.5 | 55.29 |
| MWRBG-260X29.3X3-SC | 254 | 260 | 29.3 | 3 | 37.72 |
| MWRB-280X30X6 | 268 | 280 | 30 | 6 | 127.62 |
| MWRB-300X25X2.5 | 295 | 300 | 25 | 2.5 | 61.67 |
| MWRB-305X25X2.5-K-SC | 300 | 305 | 25 | 2.5 | 233.79 |
| MWRB-330X15X2.5-K-SC | 325 | 330 | 15 | 2.5 | 307.91 |
| MWRB-330X25X2.5-K-SC | 325 | 330 | 25 | 2.5 | 251.90 |
| MWRB-400X25X2.5 | 395 | 400 | 25 | 2.5 | 97.66 |

WEAR RINGS

NEW FOR 2016

STYLE MWRPEG WEAR RINGS

Fabricated from fine woven fabric and graphite-filled polyester resins, this wear ring is strong yet light-weight with an excellent wear rate.



HERCULES PART NUMBERS

MWRPEG - 190 X 15 X 3 - SC

Type of Seal Outside Diameter Width Cross Section

SEAL INFORMATION

| | |
|----------------------|--|
| MATERIAL | GRAPHITE-FILLED POLYESTER RESIN AND FABRIC |
| TEMPERATURE RANGE | -320 TO 260 °F |
| SPEED | 3 FT/SEC |
| COMPRESSIVE STRENGTH | 50,000 PSI |
| TENSILE STRENGTH | 7900 PSI |

Suffix:
SC = Scarf Cut Ring

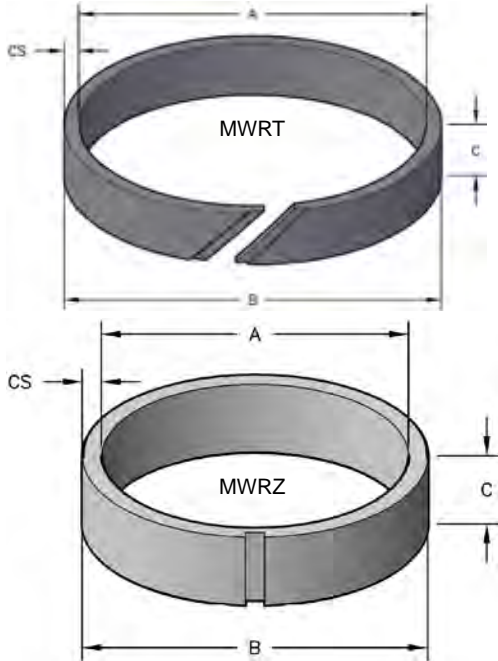
| Part Number | A Nom. ID | B Nom. OD | C Nom. Ht | Nom. Cross Section | List Price |
|----------------------|-----------|-----------|-----------|--------------------|------------|
| MWRPEG-190X15X3-SC | 184 | 190 | 14.9 | 3 | \$21.75 |
| MWRPEG-190X30.2X3-SC | 184 | 190 | 30 | 3 | 40.39 |
| MWRPEG-200X19.7X3-SC | 194 | 200 | 19.5 | 3 | 29.73 |
| MWRPEG-200X30.2X3-SC | 194 | 200 | 30 | 3 | 42.29 |
| MWRPEG-215X19.7X3-SC | 209 | 215 | 19.5 | 3 | 33.11 |
| MWRPEG-215X25.2X3-SC | 209 | 215 | 25 | 3 | 39.95 |

WEAR RINGS



STYLE MWRT & MWRZ WEAR RINGS

Made from filled PTFE, these rings are suitable for light duty bearing service but are more often installed on the out-board ends of a piston to catch metal particles to protect the seal area.



HERCULES PART NUMBERS

MWRT - 55 X 11.8 X 4
 Type of Seal Outside Diameter Width Cross Section

SEAL INFORMATION

| | |
|----------------------|------------------|
| MATERIAL | FILLED PTFE |
| TEMPERATURE RANGE | -100° TO +550° F |
| SPEED | 12 FT/SEC |
| COMPRESSIVE STRENGTH | 1,700 PSI |
| TENSILE STRENGTH | 2,200 PSI |

NOTE: MWRZ-G15 Relief Groove, not split

WEAR RINGS

| Part Number | A Nom. ID | B Nom. OD | C Nom. Ht | Nom. Cross Section | List Price | Part Number | A Nom. ID | B Nom. OD | C Nom. Ht | Nom. Cross Section | List Price |
|---------------------|-----------|-----------|-----------|--------------------|------------|--------------------|-----------|-----------|-----------|--------------------|------------|
| MWRT-140X8X4 | 132 | 140 | 8 | 4 | \$51.51 | MWRT-90X9.6X2.5 | 85 | 90 | 9.6 | 2.5 | 48.83 |
| MWRT-95X6X4 | 87 | 95 | 6 | 4 | 37.81 | MWRT-90X10X2.5 | 85 | 90 | 10 | 2.5 | 56.36 |
| MWRZ-50X3.9X4-G15 | 42 | 50 | 3.9 | 4 | 11.15 | MWRT-95X15X4 | 87 | 95 | 15 | 4 | 55.31 |
| MWRT-55X11.8X4 | 47 | 55 | 11.8 | 4 | 91.63 | MWRT-100X5.9X4-B4 | 92 | 100 | 5.9 | 4 | 72.59 |
| MWRT-61X4X2.5-SC | 56 | 61 | 4 | 2.5 | 12.32 | MWRZ-100X5.9X4-G15 | 92 | 100 | 5.9 | 4 | 8.65 |
| MWRT-65X9.5X2.5 | 60 | 65 | 9.5 | 2.5 | 45.36 | MWRT-100X14.8X4 | 92 | 100 | 14.8 | 4 | 140.78 |
| MWRT-70X6X4-SC | 62 | 70 | 6 | 4 | 63.12 | MWRT-105X6X4 | 97 | 105 | 6 | 4 | 95.77 |
| MWRT-70X12X4 | 62 | 70 | 12 | 4 | 73.28 | MWRT-110X5.9X4 | 102 | 110 | 5.9 | 4 | 79.26 |
| MWRT-70X4X2.5-SC | 65 | 70 | 4 | 2.5 | 15.97 | MWRT-110X5.9X4-B4 | 102 | 110 | 5.9 | 4 | 73.53 |
| MWRT-70X5.5X2.5-B4 | 65 | 70 | 5.5 | 2.5 | 68.31 | MWRT-110X6X4 | 102 | 110 | 6 | 4 | 39.87 |
| MWRT-70X9.6X2.5 | 65 | 70 | 9.6 | 2.5 | 98.91 | MWRT-110X9.7X4 | 102 | 110 | 9.7 | 4 | 11.43 |
| MWRT-70X19.5X2.5 | 65 | 70 | 19.5 | 2.5 | 136.06 | MWRT-110X14.8X4 | 102 | 110 | 14.8 | 4 | 141.93 |
| MWRT-75X4.2X4-SC | 67 | 75 | 4.2 | 4 | 9.44 | MWRT-110X15X2.5 | 105 | 110 | 15 | 2.5 | 99.77 |
| MWRT-75X6X4-SC | 67 | 75 | 6 | 4 | 63.21 | MWRT-115X6X4 | 107 | 115 | 6 | 4 | 40.55 |
| MWRT-75X11.8X4 | 67 | 75 | 11.8 | 4 | 98.46 | MWRT-115X8X4 | 107 | 115 | 8 | 4 | 46.49 |
| MWRT-75X19.5X2.5 | 70 | 75 | 19.5 | 2.5 | 133.47 | MWRT-115X9.5X4 | 107 | 115 | 9.5 | 4 | 27.15 |
| MWRT-80X4X4-SC | 72 | 80 | 4 | 4 | 32.32 | MWRZ-120X6X4.5-G15 | 111 | 120 | 6 | 4.5 | 31.06 |
| MWRT-80X6X4-SC | 72 | 80 | 6 | 4 | 63.29 | MWRT-120X6X4 | 112 | 120 | 6 | 4 | 36.19 |
| MWRT-80X11.8X4 | 72 | 80 | 11.8 | 4 | 113.59 | MWRT-120X8X4 | 112 | 120 | 8 | 4 | 47.08 |
| MWRT-85X4X4-SC | 77 | 85 | 4 | 4 | 32.32 | MWRT-120X15X2.5 | 115 | 120 | 15 | 2.5 | 85.32 |
| MWRZ-85X4X4-G15 | 77 | 85 | 4 | 4 | 5.77 | MWRT-125X6X4 | 117 | 125 | 6 | 4 | 56.90 |
| MWRT-85X6X4 | 77 | 85 | 6 | 4 | 49.80 | MWRT-125X8X4 | 117 | 125 | 8 | 4 | 49.06 |
| MWRT-85X6X4-SC | 77 | 85 | 6 | 4 | 49.80 | MWRZ-125X9.5X4-G15 | 117 | 125 | 9.5 | 4 | ***** |
| MWRT-85X15X4 | 77 | 85 | 15 | 4 | 128.79 | MWRT-125X9.7X4 | 117 | 125 | 9.7 | 4 | 125.42 |
| MWRZ-85X9.5X2.5-G15 | 80 | 85 | 9.5 | 2.5 | ***** | MWRT-125X15X2.5-B6 | 120 | 125 | 15 | 2.5 | 58.73 |
| MWRT-85X19.5X2.5 | 80 | 85 | 19.5 | 2.5 | 123.55 | MWRT-130X4.75X4 | 122 | 130 | 4.75 | 4 | 83.24 |
| MWRT-90X6X4 | 82 | 90 | 6 | 4 | 36.31 | MWRZ-130X6X4-G15 | 122 | 130 | 6 | 4 | 11.93 |
| MWRT-90X9.5X4 | 82 | 90 | 9.5 | 4 | 9.62 | MWRT-130X8X4 | 122 | 130 | 8 | 4 | 49.93 |
| MWRT-90X14.8X4 | 82 | 90 | 14.8 | 4 | 128.45 | MWRT-130X9.5X4 | 122 | 130 | 9.5 | 4 | ***** |
| MWRT-90X4.4X3.8 | 82.4 | 90 | 4.4 | 3.8 | 53.93 | MWRT-130X11.6X2.5 | 125 | 130 | 11.6 | 2.5 | 101.01 |

NORTH AMERICA
 PHONE 1-800-777-5617
 FAX 1-800-759-6391

SALES OFFICE HOURS
 8 A.M. TO 7:30 P.M. EASTERN TIME
 www.HerculesUS.com

WORLDWIDE
 PHONE 1-727-796-1300
 FAX 1-727-797-8849



STYLE MWRT & MWRZ WEAR RINGS

| Part Number | A Nom. ID | B Nom. OD | C Nom. Ht | Nom. Cross Section | List Price |
|---------------------|-----------|-----------|-----------|--------------------|------------|
| MWRT-130X14.9X2.5 | 125 | 130 | 14.9 | 2.5 | 43.60 |
| MWRT-135X6X4 | 127 | 135 | 6 | 4 | 53.30 |
| MWRT-135X8X4 | 127 | 135 | 8 | 4 | 50.87 |
| MWRT-135X9.7X4 | 127 | 135 | 9.7 | 4 | 59.59 |
| MWRT-135X15X2.5 | 130 | 135 | 15 | 2.5 | 44.93 |
| MWRT-140X9.7X4 | 132 | 140 | 9.7 | 4 | 61.56 |
| MWRT-140X19.7X4 | 132 | 140 | 19.7 | 4 | 90.72 |
| MWRT-145X7.9X4.5 | 136 | 145 | 7.9 | 4.5 | 103.03 |
| MWRT-145X6X4 | 137 | 145 | 6 | 4 | 95.90 |
| MWRT-145X7.9X4 | 137 | 145 | 7.9 | 4 | 81.03 |
| MWRT-145X9.5X4 | 137 | 145 | 9.5 | 4 | 15.06 |
| MWRT-145X9.7X4 | 137 | 145 | 9.7 | 4 | 65.19 |
| MWRT-145X20X2.5 | 140 | 145 | 20 | 2.5 | 67.93 |
| MWRT-145X20X2.5-B6 | 140 | 145 | 20 | 2.5 | 83.78 |
| MWRT-150X6X4 | 142 | 150 | 6 | 4 | 14.37 |
| MWRT-150X6X4-B4 | 142 | 150 | 6 | 4 | 94.67 |
| MWRT-150X8X4 | 142 | 150 | 8 | 4 | 56.88 |
| MWRZ-150X9.5X4-G15 | 142 | 150 | 9.5 | 4 | ***** |
| MWRT-150X9.7X4 | 142 | 150 | 9.7 | 4 | 68.31 |
| MWRT-155X19.9X2.5 | 150 | 155 | 19.85 | 2.5 | 100.94 |
| MWRT-160X6X4-B4 | 152 | 160 | 6 | 4 | 111.02 |
| MWRT-160X9.5X4 | 152 | 160 | 9.5 | 4 | 46.43 |
| MWRT-160X9.7X4 | 152 | 160 | 9.7 | 4 | 69.91 |
| MWRT-165X6X4 | 157 | 165 | 6 | 4 | 119.15 |
| MWRT-165X9.5X4 | 157 | 165 | 9.5 | 4 | 56.28 |
| MWRT-165X9.7X4 | 157 | 165 | 9.7 | 4 | 138.11 |
| MWRT-165X9.7X2.5 | 160 | 165 | 9.7 | 2.5 | 58.27 |
| MWRT-165X19.9X2.5 | 160 | 165 | 19.9 | 2.5 | 93.67 |
| MWRT-170X6X4-SC | 162 | 170 | 6 | 4 | 79.83 |
| MWRT-170X8X4-B4 | 162 | 170 | 8 | 4 | 134.30 |
| MWRT-170X9.7X4 | 162 | 170 | 9.7 | 4 | 85.62 |
| MWRT-175X6X4 | 167 | 175 | 6 | 4 | 123.16 |
| MWRT-175X19.7X2.5 | 170 | 175 | 19.7 | 2.5 | 101.06 |
| MWRZ-180X9.5X4-G15 | 172 | 180 | 9.5 | 4 | ***** |
| MWRT-185X24.7X2.5 | 180 | 185 | 24.7 | 2.5 | 143.11 |
| MWRZ-190X7.9X4-B4 | 182 | 190 | 7.9 | 4 | 68.04 |
| MWRT-190X8X4 | 182 | 190 | 8 | 4 | 76.55 |
| MWRT-190X8.9X4-B4 | 182 | 190 | 8.9 | 4 | 89.04 |
| MWRT-190X9.5X4 | 182 | 190 | 9.5 | 4 | 74.13 |
| MWRT-190X9.7X4 | 182 | 190 | 9.7 | 4 | 89.04 |
| MWRZ-200X7.9X4-B4 | 192 | 200 | 7.9 | 4 | 71.74 |
| MWRT-200X8.9X4-B4 | 192 | 200 | 8.9 | 4 | 186.01 |
| MWRT-200X9.7X2.5 | 195 | 200 | 9.7 | 2.5 | 68.00 |
| MWRT-200X19.8X2.5 | 195 | 200 | 19.8 | 2.5 | 148.69 |
| MWRZ-215X9.4X4-B4 | 207 | 215 | 9.4 | 4 | 89.27 |
| MWRT-215X9.7X4 | 207 | 215 | 9.7 | 4 | 94.69 |
| MWRT-220X8.9X4-B4 | 212 | 220 | 8.9 | 4 | 196.78 |
| MWRT-225X9.7X4-B4 | 217 | 225 | 9.7 | 4 | 184.44 |
| MWRT-230X14.8X4-SC | 224 | 230 | 14.7 | 4 | 123.22 |
| MWRT-240X14.9X4-SC | 232 | 240 | 14.9 | 4 | 113.94 |
| MWRT-260X14.8X4-SC | 252 | 260 | 14.8 | 4 | 124.17 |
| MWRT-330X9.7X2.5-B6 | 325 | 330 | 9.7 | 2.5 | 73.14 |

WEAR RINGS

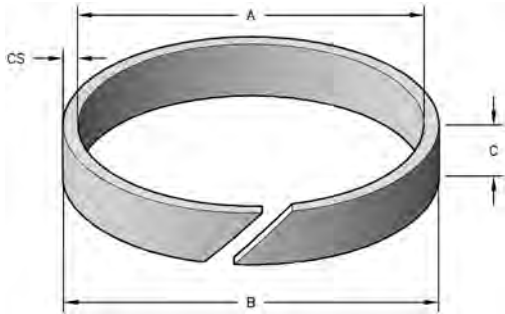
Seal color may vary. Special order sizes are available. Sizes not shown and out of stock items can also be ordered for next day delivery through Seals On Demand, our custom seal program. Please call your regional sales team for assistance.

FORMERLY LISTED SEALS ARE AVAILABLE ONLINE AT WWW.HERCULESUS.COM
OR BY CONTACTING YOUR REGIONAL HERCULES SALES TEAM.



STYLE MWRA SC WEAR RINGS

The style MWRA wear ring is molded from acetal and has excellent wear characteristics.



HERCULES PART NUMBERS

MWRA - 29 X 9.5 X 2
 Type of Seal Outside Diameter Width Cross Section

SEAL INFORMATION

| | |
|-------------------|------------------|
| MATERIAL | ACETAL |
| TEMPERATURE RANGE | - 40° TO +230° F |
| SPEED | 3 FT/SEC |

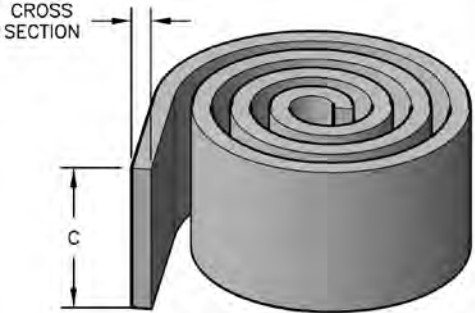
WEAR RINGS

| Part Number | A Nom. ID | B Nom. OD | C Nom. Ht | Nom. Cross Section | List Price |
|----------------------|--------------|--------------|--------------|--------------------|------------|
| MWRA-29X9.5X2-SC | 25 | 29 | 9.5 | 2 | \$2.82 |
| MWRA-45X9.5X2-SC | 41 | 45 | 9.5 | 2 | 4.05 |
| MWRA-46X12.8X3-SC | 40 | 46 | 12.8 | 3 | 1.86 |
| MWRA-50X9.7X2.5-SC | 45 | 50 | 9.7 | 2.5 | 4.72 |
| MWRA-50X15X2.5-SC | 45 | 50 | 15 | 2.5 | 1.86 |
| MWRA-61X9.5X3-SC | 55 | 61 | 9.5 | 3 | 9.30 |
| MWRA-65X6.2X2.5-SC | 60 | 65 | 6.2 | 2.5 | 9.54 |
| MWRA-65X9.7X2.5-SC | 60 | 65 | 9.7 | 2.5 | 9.76 |
| MWRA-70X6.2X2.5-SC | 65 | 70 | 6.2 | 2.5 | 10.34 |
| MWRA-76X26X3-SC | 70 | 76 | 26 | 3 | 2.72 |
| MWRA-80X6.2X2.5-SC | 75 | 80 | 6.2 | 2.5 | 11.92 |
| MWRA-80X9.7X2.5-SC | 75 | 80 | 9.7 | 2.5 | 13.41 |
| MWRA-86X12.8X3-SC | 80 | 86 | 12.8 | 3 | 2.35 |
| MWRA-90X12.5X3-SC | 84 | 90 | 12.5 | 3 | 1.40 |
| MWRA-95X6.2X2.5-SC | 90 | 95 | 6.2 | 2.5 | 14.84 |
| MWRA-97X9.7X2.5-SC | 92 | 97 | 9.7 | 2.5 | 14.88 |
| MWRA-100X6.2X2.5-SC | 95 | 100 | 6.2 | 2.5 | 15.37 |
| MWRA-105X15X2.5-SC | 100 | 105 | 15 | 2.5 | 2.52 |
| MWRA-115X17X5-SC | 105 | 115 | 17 | 5 | 21.21 |
| MWRA-116X17X4.825-SC | 106.35 | 116 | 17 | 4.825 | 2.07 |
| MWRA-146X12.5X3-SC | 140 | 146 | 12.5 | 3 | 3.66 |
| MWRA-180X19X3-SC | 174 | 180 | 19 | 3 | 48.14 |

STYLE MGF FLEXIBLE GUIDE BEARINGS

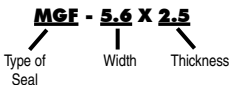
Fabricated from woven fabric and polyester resins, this material can be cut to length to fit rod or piston grooves.

NOTE: Product is sold 'by the foot'.



TQ16 = Sold in rolls of 16 feet each,

HERCULES PART NUMBERS



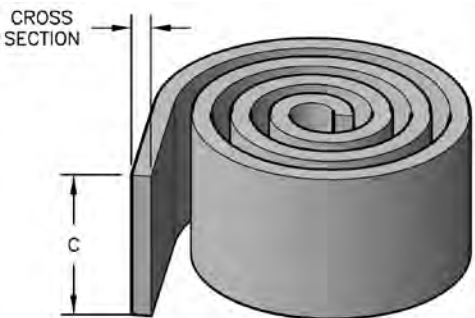
| SEAL INFORMATION | |
|----------------------|-----------------------------|
| MATERIAL | FABRIC REINFORCED POLYESTER |
| TEMPERATURE RANGE | -30° TO +265° F |
| SPEED | 3 FT/SEC |
| COMPRESSIVE STRENGTH | 24,000 PSI |

| Part Number | C Nom. Ht | Nom. Cross Section | List Price |
|------------------|-----------|--------------------|------------|
| MGF-5.6X2.5 | 5.6 | 2.5 | \$16.59 |
| MGF-9.7X2.5 | 9.7 | 2.5 | 17.33 |
| MGF-9.7X2.5-TQ16 | 9.7 | 2.5 | 87.29 |
| MGF-9.7X4-TQ16 | 9.7 | 4 | 107.05 |
| MGF-13X2.5 | 13 | 2.5 | 20.57 |
| MGF-15X2.5 | 15 | 2.5 | 21.70 |
| MGF-15X2.5-TQ16 | 15 | 2.5 | 97.18 |
| MGF-20X2.5 | 20 | 2.5 | 28.84 |
| MGF-20X2.5-TQ16 | 20 | 2.5 | 102.10 |
| MGF-25X2.5 | 25 | 2.5 | 29.74 |
| MGF-25X2.5-TQ16 | 25 | 2.5 | 121.88 |
| MGF-25X4-TQ16 | 25 | 4 | 179.51 |

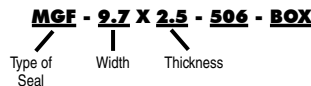
BOXED MGF STYLE FLEXIBLE GUIDE BEARINGS

Our MGF style flexible guide bearings, with a 2.5mm radial thickness, offered in a boxed quantity. The strip can be cut to any length using anvil type pruning shears.

Product length is 32' per box.



HERCULES PART NUMBERS



| SEAL INFORMATION | |
|----------------------|-----------------------------|
| MATERIAL | FABRIC REINFORCED POLYESTER |
| TEMPERATURE RANGE | -30° TO +265° F |
| SPEED | 3 FT/SEC |
| COMPRESSIVE STRENGTH | 24,000 PSI |

| Part Number | C Nom. Ht | Nom. Cross Section | List Price |
|---------------------|-----------|--------------------|------------|
| MGF-5.6X2.5-506-BOX | 5.6 | 2.5 | \$460.67 |
| MGF-9.7X2.5-506-BOX | 9.7 | 2.5 | 362.06 |
| MGF-15X2.5-506-BOX | 15 | 2.5 | 454.52 |
| MGF-20X2.5-506-BOX | 20 | 2.5 | 602.60 |
| MGF-25X2.5-506-BOX | 25 | 2.5 | 621.41 |

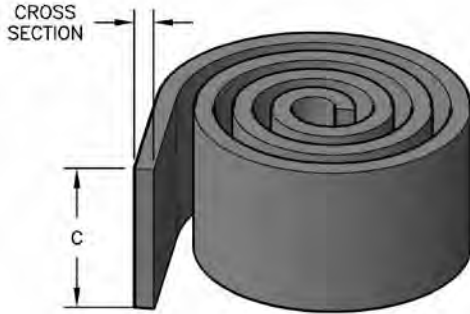
FORMERLY LISTED SEALS ARE AVAILABLE ONLINE AT WWW.HERCULESUS.COM
OR BY CONTACTING YOUR REGIONAL HERCULES SALES TEAM.

WEAR RINGS

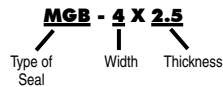


STYLE MGB FLEXIBLE GUIDE BEARINGS

Manufactured to a large variety of widths and thicknesses, this material affords low friction capabilities but with low compressive strength. The material also has the capability of ingesting metal particles and keeping them from the seal area. **NOTE: Product is sold 'by the foot'.**



HERCULES PART NUMBERS



SEAL INFORMATION

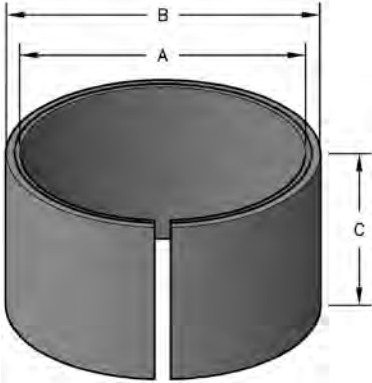
| | |
|----------------------|------------------------|
| MATERIAL | 60% BRONZE FILLED PTFE |
| TEMPERATURE RANGE | -50° TO +390° F |
| SPEED | 12 FT/SEC |
| COMPRESSIVE STRENGTH | 1,700 PSI |

WEAR RINGS

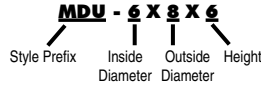
| Part Number | C Nom. Ht | Nom. Cross Section | List Price |
|--------------|--------------|--------------------|------------|
| MGB-4X2.5 | 4 | 2.5 | \$ 16.79 |
| MGB-5.5X2.5 | 5.5 | 2.5 | 20.86 |
| MGB-6X4 | 6 | 4 | 22.73 |
| MGB-6.1X2.5 | 6.1 | 2.5 | 20.69 |
| MGB-7.9X2.5 | 7.9 | 2.5 | 20.69 |
| MGB-7.9X4 | 7.9 | 4 | 43.20 |
| MGB-8X2 | 8 | 2 | 32.91 |
| MGB-8.9X4 | 8.9 | 4 | 51.88 |
| MGB-9.5X2.5 | 9.5 | 2.5 | 26.00 |
| MGB-9.5X4 | 9.5 | 4 | 42.76 |
| MGB-9.5X4-NT | 9.5 | 4 | 112.28 |
| MGB-10X2 | 10 | 2 | 28.32 |
| MGB-12X4 | 12 | 4 | 57.08 |
| MGB-14X3.5 | 14 | 3.5 | 39.92 |
| MGB-14.5X4 | 14.5 | 4 | 64.71 |
| MGB-15X2 | 15 | 2 | 22.98 |
| MGB-15X2.5 | 15 | 2.5 | 33.68 |
| MGB-20X2 | 20 | 2 | 25.12 |
| MGB-20X2.5 | 20 | 2.5 | 39.11 |
| MGB-24.5X2.5 | 24.5 | 2.5 | 71.88 |
| MGB-30X2.5 | 30 | 2.5 | 42.76 |
| MGB-50X2 | 50 | 2 | 52.27 |

STYLE MDU ROD BUSHINGS

With a steel body, bronze liner, and PTFE / lead overlay, these bushings possess excellent wearability and tremendous compressive strength.



HERCULES PART NUMBERS



| SEAL INFORMATION | |
|----------------------|---|
| MATERIAL | BRONZE LINING PTFE/LEAD OVERLAY STEEL BACKING |
| TEMPERATURE RANGE | -325° TO +536° F |
| SPEED | 12 FT/SEC |
| COMPRESSIVE STRENGTH | 44,000 PSI |

Suffix:

C - Copper Outside Diameter finish, electroplated

| Part Number | A Nom. ID | B Nom. OD | C Nom. Ht | List Price |
|----------------|-----------|-----------|-----------|------------|
| MDU-6X8X6 | 6 | 8 | 6 | \$ 1.74 |
| MDU-16X18X15 | 16 | 18 | 15 | 2.68 |
| MDU-20X23X15 | 20 | 23 | 15 | 3.66 |
| MDU-20X23X25 | 20 | 23 | 25 | 4.92 |
| MDU-20X23X40 | 20 | 23 | 40 | 6.88 |
| MDU-22X25X20 | 22 | 25 | 20 | 4.15 |
| MDU-25X28X15 | 25 | 28 | 15 | 4.02 |
| MDU-25X28X20 | 25 | 28 | 20 | 4.15 |
| MDU-25X28X25 | 25 | 28 | 25 | 5.46 |
| MDU-25X28X30 | 25 | 28 | 30 | 6.31 |
| MDU-25X28X40 | 25 | 28 | 40 | 7.41 |
| MDU-30X34X12 | 30 | 34 | 12 | 6.35 |
| MDU-30X34X25 | 30 | 34 | 25 | 7.41 |
| MDU-30X34X40 | 30 | 34 | 40 | 10.12 |
| MDU-32X36X40 | 32 | 36 | 40 | 9.42 |
| MDU-35X39X25 | 35 | 39 | 25 | 8.22 |
| MDU-35X39X50 | 35 | 39 | 50 | 14.25 |
| MDU-38X42X32 | 38 | 42 | 32 | 10.19 |
| MDU-40X44X20 | 40 | 44 | 20 | 3.62 |
| MDU-40X44X25 | 40 | 44 | 25 | 9.33 |
| MDU-40X44X30 | 40 | 44 | 30 | 10.92 |
| MDU-40X44X40 | 40 | 44 | 40 | 10.99 |
| MDU-40X44X50 | 40 | 44 | 50 | 15.89 |
| MDU-45X50X20 | 45 | 50 | 20 | 9.33 |
| MDU-45X50X25-C | 45 | 50 | 25 | 11.07 |
| MDU-45X50X30 | 45 | 50 | 30 | 12.81 |
| MDU-45X50X30-C | 45 | 50 | 30 | 16.80 |
| MDU-45X50X50 | 45 | 50 | 50 | 17.84 |
| MDU-50X55X12 | 50 | 55 | 12 | 8.22 |
| MDU-50X55X25 | 50 | 55 | 25 | 12.96 |
| MDU-50X55X30 | 50 | 55 | 30 | 15.54 |
| MDU-50X55X40 | 50 | 55 | 40 | 19.20 |
| MDU-50X55X50 | 50 | 55 | 50 | 21.38 |
| MDU-50X55X60 | 50 | 55 | 60 | 24.96 |
| MDU-55X60X12 | 55 | 60 | 12 | 8.51 |
| MDU-55X60X25 | 55 | 60 | 25 | 13.72 |
| MDU-55X60X30 | 55 | 60 | 30 | 18.35 |

| Part Number | A Nom. ID | B Nom. OD | C Nom. Ht | List Price |
|----------------|-----------|-----------|-----------|------------|
| MDU-55X60X30-C | 55 | 60 | 30 | 18.49 |
| MDU-55X60X35-C | 55 | 60 | 35 | 21.21 |
| MDU-55X60X40 | 55 | 60 | 40 | 19.49 |
| MDU-55X60X50 | 55 | 60 | 50 | 23.34 |
| MDU-55X60X60 | 55 | 60 | 60 | 27.14 |
| MDU-56X61X15 | 56 | 61 | 15 | 6.43 |
| MDU-56X61X30 | 56 | 61 | 30 | 18.51 |
| MDU-56X61X35 | 56 | 61 | 35 | 20.91 |
| MDU-56X61X40 | 56 | 61 | 40 | 21.85 |
| MDU-60X65X15 | 60 | 65 | 15 | 8.91 |
| MDU-60X65X30 | 60 | 65 | 30 | 18.65 |
| MDU-60X65X35 | 60 | 65 | 35 | 20.61 |
| MDU-60X65X35-C | 60 | 65 | 35 | 22.82 |
| MDU-60X65X40 | 60 | 65 | 40 | 24.20 |
| MDU-60X65X50 | 60 | 65 | 50 | 26.87 |
| MDU-60X65X70 | 60 | 65 | 70 | 35.12 |
| MDU-65X70X15 | 65 | 70 | 15 | 12.66 |
| MDU-65X70X25-C | 65 | 70 | 25 | 20.86 |
| MDU-65X70X30 | 65 | 70 | 30 | 21.71 |
| MDU-65X70X35 | 65 | 70 | 35 | 22.57 |
| MDU-65X70X40 | 65 | 70 | 40 | 25.67 |
| MDU-65X70X60 | 65 | 70 | 60 | 33.20 |
| MDU-70X75X15 | 70 | 75 | 15 | 20.23 |
| MDU-70X75X20 | 70 | 75 | 20 | 21.58 |
| MDU-70X75X25-C | 70 | 75 | 25 | 23.05 |
| MDU-70X75X30 | 70 | 75 | 30 | 24.51 |
| MDU-70X75X40 | 70 | 75 | 40 | 29.52 |
| MDU-70X75X40-C | 70 | 75 | 40 | 27.58 |
| MDU-70X75X50 | 70 | 75 | 50 | 32.36 |
| MDU-75X80X25 | 75 | 80 | 25 | 26.10 |
| MDU-75X80X30 | 75 | 80 | 30 | 27.12 |
| MDU-75X80X35 | 75 | 80 | 35 | 28.13 |
| MDU-75X80X40 | 75 | 80 | 40 | 30.98 |
| MDU-75X80X40-C | 75 | 80 | 40 | 30.16 |
| MDU-75X80X50 | 75 | 80 | 50 | 34.02 |
| MDU-75X80X60 | 75 | 80 | 60 | 41.14 |
| MDU-80X85X15 | 80 | 85 | 15 | 30.40 |

WEAR RINGS

FORMERLY LISTED SEALS ARE AVAILABLE ONLINE AT WWW.HERCULESUS.COM
OR BY CONTACTING YOUR REGIONAL HERCULES SALES TEAM.



STYLE MDU ROD BUSHINGS

WEAR RINGS

| Part Number | A Nom. ID | B Nom. OD | C Nom. Ht | List Price |
|------------------|-----------|-----------|-----------|------------|
| MDU-80X85X30 | 80 | 85 | 30 | 31.26 |
| MDU-80X85X35-C | 80 | 85 | 35 | 29.06 |
| MDU-80X85X40 | 80 | 85 | 40 | 33.98 |
| MDU-80X85X40-C | 80 | 85 | 40 | 35.67 |
| MDU-80X85X50 | 80 | 85 | 50 | 38.69 |
| MDU-80X85X60 | 80 | 85 | 60 | 44.17 |
| MDU-85X90X30 | 85 | 90 | 30 | 34.71 |
| MDU-85X90X40 | 85 | 90 | 40 | 37.06 |
| MDU-85X90X50 | 85 | 90 | 50 | 40.31 |
| MDU-85X90X70 | 85 | 90 | 70 | 52.10 |
| MDU-90X95X20 | 90 | 95 | 20 | 33.22 |
| MDU-90X95X30 | 90 | 95 | 30 | 33.48 |
| MDU-90X95X30-C | 90 | 95 | 30 | 36.70 |
| MDU-90X95X35 | 90 | 95 | 35 | 39.34 |
| MDU-90X95X40 | 90 | 95 | 40 | 42.75 |
| MDU-90X95X40-C | 90 | 95 | 40 | 38.46 |
| MDU-90X95X45 | 90 | 95 | 45 | 44.52 |
| MDU-90X95X60 | 90 | 95 | 60 | 53.52 |
| MDU-95X100X30 | 95 | 100 | 30 | 37.71 |
| MDU-95X100X35 | 95 | 100 | 35 | 42.28 |
| MDU-95X100X40 | 95 | 100 | 40 | 44.36 |
| MDU-95X100X40-C | 95 | 100 | 40 | 46.60 |
| MDU-95X100X50 | 95 | 100 | 50 | 47.74 |
| MDU-100X105X20 | 100 | 105 | 20 | 29.07 |
| MDU-100X105X30 | 100 | 105 | 30 | 41.68 |
| MDU-100X105X35 | 100 | 105 | 35 | 51.68 |
| MDU-100X105X40 | 100 | 105 | 40 | 52.10 |
| MDU-100X105X40-C | 100 | 105 | 40 | 41.00 |
| MDU-100X105X50 | 100 | 105 | 50 | 59.52 |
| MDU-100X105X60 | 100 | 105 | 60 | 62.00 |
| MDU-105X110X35 | 105 | 110 | 35 | 44.45 |
| MDU-105X110X40 | 105 | 110 | 40 | 46.86 |
| MDU-105X110X40-C | 105 | 110 | 40 | 46.34 |
| MDU-105X110X50 | 105 | 110 | 50 | 56.77 |
| MDU-105X110X60 | 105 | 110 | 60 | 63.92 |
| MDU-110X115X20 | 110 | 115 | 20 | 41.68 |
| MDU-110X115X35 | 110 | 115 | 35 | 45.85 |
| MDU-110X115X40 | 110 | 115 | 40 | 52.68 |
| MDU-110X115X45 | 110 | 115 | 45 | 59.23 |
| MDU-110X115X50 | 110 | 115 | 50 | 84.51 |
| MDU-110X115X50-C | 110 | 115 | 50 | 44.85 |
| MDU-110X115X55 | 110 | 115 | 55 | 87.94 |
| MDU-110X115X60 | 110 | 115 | 60 | 90.27 |
| MDU-115X120X35 | 115 | 120 | 35 | 50.20 |
| MDU-115X120X45 | 115 | 120 | 45 | 61.48 |
| MDU-115X120X50 | 115 | 120 | 50 | 66.38 |
| MDU-115X120X60 | 115 | 120 | 60 | 80.56 |
| MDU-120X125X20 | 120 | 125 | 20 | 49.12 |
| MDU-120X125X35 | 120 | 125 | 35 | 48.63 |
| MDU-120X125X40 | 120 | 125 | 40 | 65.01 |
| MDU-120X125X45-C | 120 | 125 | 45 | 69.96 |
| MDU-120X125X50 | 120 | 125 | 50 | 74.90 |
| MDU-120X125X60 | 120 | 125 | 60 | 82.86 |
| MDU-125X130X35 | 125 | 130 | 35 | 56.38 |
| MDU-125X130X50 | 125 | 130 | 50 | 76.81 |
| MDU-130X135X35 | 130 | 135 | 35 | 71.19 |
| MDU-130X135X40 | 130 | 135 | 40 | 74.63 |
| MDU-130X135X45 | 130 | 135 | 45 | 76.95 |

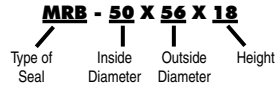
| Part Number | A Nom. ID | B Nom. OD | C Nom. Ht | List Price |
|------------------|-----------|-----------|-----------|------------|
| MDU-130X135X50 | 130 | 135 | 50 | 79.26 |
| MDU-130X135X50-C | 130 | 135 | 50 | 51.64 |
| MDU-130X135X60 | 130 | 135 | 60 | 86.23 |
| MDU-130X135X80 | 130 | 135 | 80 | 93.75 |
| MDU-135X140X60 | 135 | 140 | 60 | 97.23 |
| MDU-140X145X35 | 140 | 145 | 35 | 102.72 |
| MDU-140X145X40 | 140 | 145 | 40 | 100.02 |
| MDU-140X145X50 | 140 | 145 | 50 | 106.27 |
| MDU-140X145X55 | 140 | 145 | 55 | 108.18 |
| MDU-140X145X60 | 140 | 145 | 60 | 108.63 |
| MDU-140X145X70 | 140 | 145 | 70 | 117.97 |
| MDU-150X155X40 | 150 | 155 | 40 | 106.58 |
| MDU-150X155X60 | 150 | 155 | 60 | 109.04 |
| MDU-160X165X40 | 160 | 165 | 40 | 117.08 |
| MDU-160X165X50 | 160 | 165 | 50 | 118.54 |
| MDU-160X165X80 | 160 | 165 | 80 | 120.17 |
| MDU-180X185X90 | 180 | 185 | 90 | 158.88 |

STYLE MRB ROD BUSHINGS

Molded from a sturdy nylon material, these bushings are found chiefly in Ford metric cylinders.



HERCULES PART NUMBERS



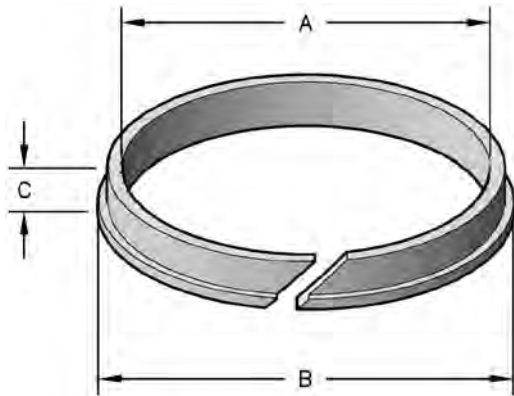
| SEAL INFORMATION | |
|----------------------|-----------------|
| MATERIAL | NYLON |
| TEMPERATURE RANGE | -40° TO +250° F |
| SPEED | 3 FT/SEC |
| COMPRESSIVE STRENGTH | 25,000 PSI |
| TENSILE STRENGTH | 27,000 PSI |

| Part Number | A Nom. ID | B Nom. OD | C Nom. Ht | List Price |
|--------------|--------------|--------------|--------------|------------|
| MRB-50X56X18 | 50 | 56 | 18 | \$ 11.91 |
| MRB-50X56X28 | 50 | 56 | 28 | 11.91 |
| MRB-56X62X28 | 56 | 62 | 28 | 12.11 |
| MRB-63X69X28 | 63 | 69 | 28 | 12.91 |

WEAR RINGS

STYLE MWRA-L ROD BUSHINGS

Primarily a British design, this ring can be installed one or two in a groove. Excellent wear characteristics.



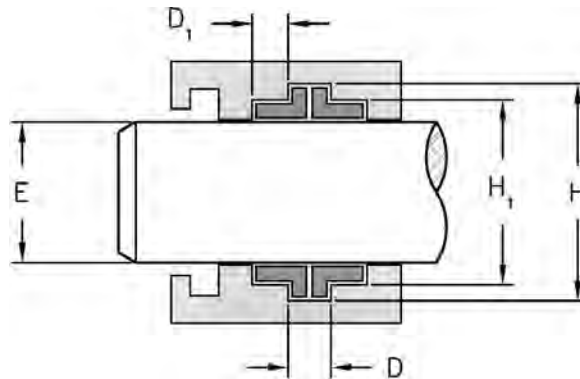
HERCULES PART NUMBERS

MWRA - 45 X 53 X 18-L

Type of Seal Inside Diameter Outside Diameter Height

SEAL INFORMATION

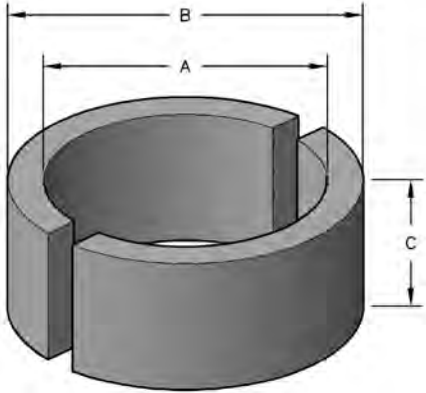
| | |
|-------------------|-----------------|
| MATERIAL | ACETAL |
| TEMPERATURE RANGE | -40° TO +230° F |
| SPEED | 3 FT/SEC |



| Part Number | A Nom. ID | B Nom. OD | C Nom. Ht | D GROOVE WIDTH | D ₁ BEARING GROOVE WIDTH | E ROD DIAMETER | H GROOVE DIAMETER | H ₁ BEARING GROOVE DIAMETER | List Price |
|-------------------|--------------|--------------|--------------|----------------------|---|----------------------|-------------------------|--|---------------|
| MWRA-45X53X18-L | 45 | 53 | 18 | 8.00 | 14.00 | 45.00 | 53.00 | 50.00 | \$4.67 |
| MWRA-60X68X18-L | 60 | 68 | 18 | 8.00 | 14.00 | 60.00 | 68.00 | 65.00 | 5.23 |
| MWRA-60X71X16-L | 60 | 71 | 16 | 10.00 | 11.00 | 60.00 | 71.00 | 66.00 | 5.70 |
| MWRA-75X83X18-L | 75 | 83 | 18 | 8.00 | 14.00 | 75.00 | 83.00 | 80.00 | 9.01 |
| MWRA-78X89X16-L | 78 | 89 | 16 | 10.00 | 11.00 | 78.00 | 89.00 | 84.00 | 6.68 |
| MWRA-92X100X18-L | 92 | 100 | 18 | 8.00 | 14.00 | 92.00 | 100.00 | 97.00 | 10.21 |
| MWRA-99X110X16-L | 99 | 110 | 16 | 10.00 | 11.00 | 99.00 | 110.00 | 105.00 | 10.13 |
| MWRA-120X131X16-L | 120 | 131 | 16 | 10.00 | 11.00 | 120.00 | 131.00 | 126.00 | 11.77 |
| MWRA-141X152X16-L | 141 | 152 | 16 | 10.00 | 11.00 | 141.00 | 152.00 | 147.00 | 12.75 |
| MWRA-162X173X16-L | 162 | 173 | 16 | 10.00 | 11.00 | 162.00 | 173.00 | 168.00 | 13.96 |
| MWRA-183X194X16-L | 183 | 194 | 16 | 10.00 | 11.00 | 183.00 | 194.00 | 189.00 | 16.22 |
| MWRA-207X218X16-L | 207 | 218 | 16 | 10.00 | 11.00 | 207.00 | 218.00 | 213.00 | 20.09 |

STYLE MBB PISTON BUSHINGS

Installed as 2 halves in a closed groove, these bushings are found in many Japanese lift trucks.



HERCULES PART NUMBERS

MBB - 60 X 80 X 19.6
 Type of Seal: MBB, Inside Diameter: 60, Outside Diameter: 80, Height: 19.6

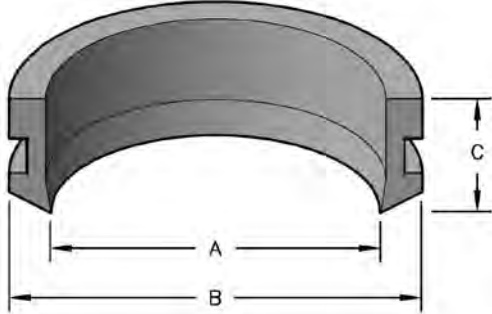
| SEAL INFORMATION | |
|------------------|------------|
| MATERIAL | 660 BRONZE |
| SPEED | 3 FT/SEC |

WEAR RINGS

| Part Number | A Nom. ID | B Nom. OD | C Nom. Ht | List Price |
|-----------------|--------------|--------------|--------------|------------|
| MBB-60X80X19.6 | 60 | 80 | 19.6 | \$82.23 |
| MBB-70X90X24.6 | 70 | 90 | 24.6 | 99.42 |
| MBB-85X105X24.6 | 85 | 105 | 24.6 | 101.45 |

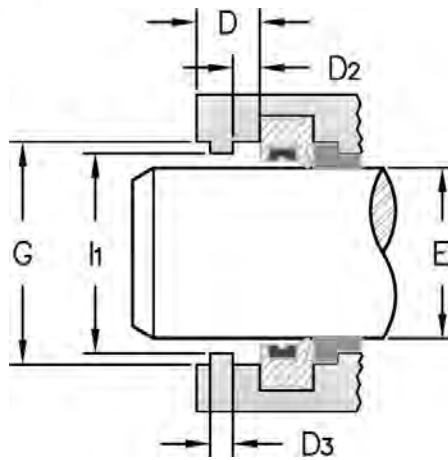
STYLE WRFAI WEAR RINGS

WRFAI split bearings are manufactured of an extremely abrasion-resistant and low-friction POM-PTFE Bronze compound. The excellent dry-running properties allow installation behind the primary rod seal. The WRFAI utilizes a scraper edge for integrated wiping function and contaminant removal. These are genuine Hunger® parts.



HERCULES PART NUMBERS

WRFAI - 22 X 19
 Type of Seal Inside Diameter Width



SEAL INFORMATION

| | |
|-------------------|-----------------|
| MATERIAL | POM - PTFE / BZ |
| TEMPERATURE RANGE | -65° TO +248° F |

WEAR RINGS

| Part Number | A Nom. ID | B Nom. OD | C Nom. Ht | D GROOVE WIDTH | E ROD DIAMETER | G HOUSING DIAMETER | l ₁ PROTRUSION DIAMETER | D ₂ BASE GROOVE WIDTH | D ₃ PROTRUSION WIDTH | List Price |
|-------------|-----------------|-----------------|-----------------|---------------------------|---------------------------|---------------------------|--|--|---------------------------------------|---------------|
| WRFAI22X19 | 22 | 28 | 19 | 17.00 +0.12 +0.05 | 22.00 -0.040 -0.073 | 28.00 +0.052 +0.000 | 25.00 +0.052 +0.000 | 6.50 +0.098 +0.040 | 6.00 -0.030 -0.078 | \$ 15.94 |
| WRFAI28X19 | 28 | 34 | 19 | 17.00 +0.12 +0.05 | 28.00 -0.040 -0.073 | 34.00 +0.062 +0.000 | 31.00 +0.062 +0.000 | 6.50 +0.098 +0.040 | 6.00 -0.030 -0.078 | 19.19 |
| WRFAI32X19 | 32 | 38 | 19 | 17.00 +0.12 +0.05 | 32.00 -0.050 -0.089 | 38.00 +0.062 +0.000 | 35.00 +0.062 +0.000 | 6.50 +0.098 +0.040 | 6.00 -0.030 -0.078 | 23.68 |
| WRFAI35X19 | 35 | 41 | 19 | 17.00 +0.12 +0.05 | 35.00 -0.050 -0.089 | 41.00 +0.062 +0.000 | 38.00 +0.062 +0.000 | 6.50 +0.098 +0.040 | 6.00 -0.030 -0.078 | 24.48 |
| WRFAI36X19 | 36 | 42 | 19 | 17.00 +0.12 +0.05 | 36.00 -0.050 -0.089 | 42.00 +0.062 +0.000 | 39.00 +0.062 +0.000 | 6.50 +0.098 +0.040 | 6.00 -0.030 -0.078 | 24.48 |
| WRFAI40X19 | 40 | 46 | 19 | 17.00 +0.12 +0.05 | 40.00 -0.050 -0.089 | 46.00 +0.062 +0.000 | 43.00 +0.062 +0.000 | 6.50 +0.098 +0.040 | 6.00 -0.030 -0.078 | 32.34 |
| WRFAI45X19 | 45 | 51 | 19 | 17.00 +0.12 +0.05 | 45.00 -0.050 -0.089 | 51.00 +0.074 +0.000 | 48.00 +0.062 +0.000 | 6.50 +0.098 +0.040 | 6.00 -0.030 -0.078 | 33.88 |
| WRFAI50X19 | 50 | 56 | 19 | 17.00 +0.12 +0.05 | 50.00 -0.050 -0.089 | 56.00 +0.074 +0.000 | 53.00 +0.074 +0.000 | 6.50 +0.098 +0.040 | 6.00 -0.030 -0.078 | 32.65 |
| WRFAI55X19 | 55 | 61 | 19 | 17.00 +0.12 +0.05 | 55.00 -0.060 -0.106 | 61.00 +0.074 +0.000 | 58.00 +0.074 +0.000 | 6.50 +0.098 +0.040 | 6.00 -0.030 -0.078 | 32.65 |
| WRFAI56X19 | 56 | 62 | 19 | 17.00 +0.12 +0.05 | 56.00 -0.060 -0.106 | 62.00 +0.074 +0.000 | 59.00 +0.074 +0.000 | 6.50 +0.098 +0.040 | 6.00 -0.030 -0.078 | 42.62 |
| WRFAI60X24 | 60 | 70 | 24 | 21.00 +0.149 +0.065 | 60.00 -0.060 -0.106 | 70.00 +0.074 +0.000 | 65.00 +0.074 +0.000 | 8.50 +0.098 +0.040 | 7.00 -0.040 -0.098 | 40.81 |
| WRFAI63X24 | 63 | 73 | 24 | 21.00 +0.149 +0.065 | 63.00 -0.060 -0.106 | 73.00 +0.074 +0.000 | 68.00 +0.074 +0.000 | 8.50 +0.098 +0.040 | 7.00 -0.040 -0.098 | 39.59 |
| WRFAI70X24 | 70 | 80 | 24 | 21.00 +0.149 +0.065 | 70.00 -0.060 -0.106 | 80.00 +0.074 +0.000 | 75.00 +0.074 +0.000 | 8.50 +0.098 +0.040 | 7.00 -0.040 -0.098 | 50.21 |

NORTH AMERICA
 PHONE 1-800-777-5617
 FAX 1-800-759-6391

SALES OFFICE HOURS
 8 A.M. TO 7:30 P.M. EASTERN TIME
 www.HerculesUS.com

WORLDWIDE
 PHONE 1-727-796-1300
 FAX 1-727-797-8849



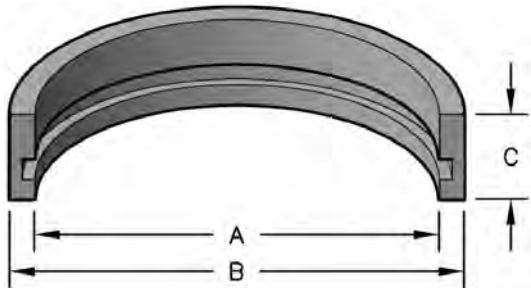
STYLE WRFAI WEAR RINGS

| Part Number | A Nom. ID | B Nom. OD | C Nom. Ht | D GROOVE WIDTH | E ROD DIAMETER | G HOUSING DIAMETER | I ₁ PROTRUSION DIAMETER | D ₂ BASE GROOVE WIDTH | D ₃ PROTRUSION WIDTH | List Price |
|-------------|-----------|-----------|-----------|---|--|--|--|---|--|------------|
| WRFAI80X24 | 80 | 90 | 24 | 21.00 ^{+0.149} / _{+0.065} | 80.00 ^{-0.060} / _{-0.106} | 90.00 ^{+0.087} / _{+0.000} | 85.00 ^{+0.087} / _{+0.000} | 8.50 ^{+0.098} / _{+0.040} | 7.00 ^{-0.040} / _{-0.098} | 42.15 |
| WRFAI90X24 | 90 | 100 | 24 | 21.00 ^{+0.149} / _{+0.065} | 90.00 ^{-0.072} / _{-0.126} | 100.00 ^{+0.087} / _{+0.000} | 95.00 ^{+0.087} / _{+0.000} | 8.50 ^{+0.098} / _{+0.040} | 7.00 ^{-0.040} / _{-0.098} | 48.99 |
| WRFAI100X24 | 100 | 110 | 24 | 21.00 ^{+0.149} / _{+0.065} | 100.00 ^{-0.072} / _{-0.126} | 110.00 ^{+0.087} / _{+0.000} | 105.00 ^{+0.087} / _{+0.000} | 8.50 ^{+0.098} / _{+0.040} | 7.00 ^{-0.040} / _{-0.098} | 61.32 |
| WRFAI110X24 | 110 | 120 | 24 | 21.00 ^{+0.149} / _{+0.065} | 110.00 ^{-0.072} / _{-0.126} | 120.00 ^{+0.087} / _{+0.000} | 115.00 ^{+0.087} / _{+0.000} | 8.50 ^{+0.098} / _{+0.040} | 7.00 ^{-0.040} / _{-0.098} | 67.11 |
| WRFAI115X24 | 115 | 125 | 24 | 21.00 ^{+0.149} / _{+0.065} | 115.00 ^{-0.072} / _{-0.126} | 125.00 ^{+0.10} / _{+0.00} | 120.00 ^{+0.087} / _{+0.000} | 8.50 ^{+0.098} / _{+0.040} | 7.00 ^{-0.040} / _{-0.098} | 75.12 |
| WRFAI120X24 | 120 | 130 | 24 | 21.00 ^{+0.149} / _{+0.065} | 120.00 ^{-0.072} / _{-0.126} | 130.00 ^{+0.10} / _{+0.00} | 125.00 ^{+0.10} / _{+0.00} | 8.50 ^{+0.098} / _{+0.040} | 7.00 ^{-0.040} / _{-0.098} | 84.91 |
| WRFAI125X24 | 125 | 135 | 24 | 21.00 ^{+0.149} / _{+0.065} | 125.00 ^{-0.085} / _{-0.148} | 135.00 ^{+0.10} / _{+0.00} | 130.00 ^{+0.10} / _{+0.00} | 8.50 ^{+0.098} / _{+0.040} | 7.00 ^{-0.040} / _{-0.098} | 81.65 |
| WRFAI130X24 | 130 | 140 | 24 | 21.00 ^{+0.149} / _{+0.065} | 130.00 ^{-0.085} / _{-0.148} | 140.00 ^{+0.10} / _{+0.00} | 135.00 ^{+0.10} / _{+0.00} | 8.50 ^{+0.098} / _{+0.040} | 7.00 ^{-0.040} / _{-0.098} | 90.14 |
| WRFAI140X24 | 140 | 150 | 24 | 21.00 ^{+0.149} / _{+0.065} | 140.00 ^{-0.085} / _{-0.148} | 150.00 ^{+0.10} / _{+0.00} | 145.00 ^{+0.10} / _{+0.00} | 8.50 ^{+0.098} / _{+0.040} | 7.00 ^{-0.040} / _{-0.098} | 88.58 |
| WRFAI150X35 | 150 | 162 | 35 | 31.00 ^{+0.18} / _{+0.08} | 150.00 ^{-0.085} / _{-0.148} | 162.00 ^{+0.10} / _{+0.00} | 156.00 ^{+0.10} / _{+0.00} | 10.00 ^{+0.098} / _{+0.040} | 15.00 ^{-0.05} / _{-0.12} | 115.52 |
| WRFAI160X35 | 160 | 172 | 35 | 31.00 ^{+0.18} / _{+0.08} | 160.00 ^{-0.085} / _{-0.148} | 172.00 ^{+0.10} / _{+0.00} | 166.00 ^{+0.10} / _{+0.00} | 10.00 ^{+0.098} / _{+0.040} | 15.00 ^{-0.05} / _{-0.12} | 131.46 |
| WRFAI180X35 | 180 | 192 | 35 | 31.00 ^{+0.18} / _{+0.08} | 180.00 ^{-0.085} / _{-0.148} | 192.00 ^{+0.115} / _{+0.000} | 186.00 ^{+0.115} / _{+0.000} | 10.00 ^{+0.098} / _{+0.040} | 15.00 ^{-0.05} / _{-0.12} | 142.87 |
| WRFAI240X35 | 240 | 252 | 35 | 31.00 ^{+0.18} / _{+0.08} | 240.00 ^{-0.100} / _{-0.172} | 252.00 ^{+0.13} / _{+0.00} | 246.00 ^{+0.115} / _{+0.000} | 10.00 ^{+0.098} / _{+0.040} | 15.00 ^{-0.05} / _{-0.12} | 273.51 |

WEAR RINGS

STYLE WRFA WEAR RINGS

WRFA bearings are manufactured of an extremely abrasion-resistant and low-friction POM-PTFE Bronze compound. Rings are split for easy installation and multiple rings may be arranged adjacent to each other with joints staggered. These are genuine Hunger® parts.

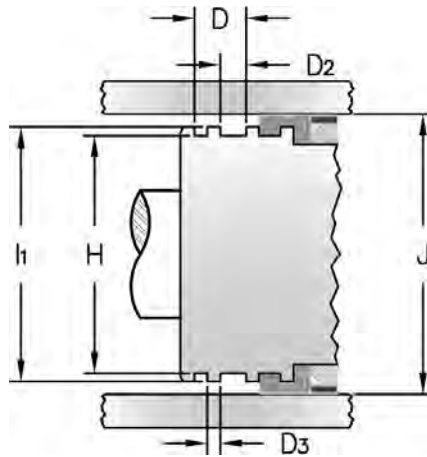


HERCULES PART NUMBERS

WRFA - 40 X 12
 Type of Seal Outside Diameter Width

SEAL INFORMATION

| | |
|-------------------|-----------------|
| MATERIAL | POM - PTFE / BZ |
| TEMPERATURE RANGE | -65 TO +248° F |
| SPEED | 12 FT/SEC |



WEAR RINGS

| Part Number | A Nom. ID | B Nom. OD | C Nom. Ht | D GROOVE WIDTH | H GROOVE DIAMETER | I ₁ PROTRUSION DIAMETER | J BORE DIAMETER | D ₂ BASE GROOVE WIDTH | D ₃ PROTRUSION WIDTH | List Price |
|---------------|-----------------|-----------------|-----------------|--------------------------|---------------------------|--|----------------------------|--|---------------------------------------|---------------|
| WRFA 40X12 | 32 | 40 | 12 | 12.00 +0.12 +0.05 | 32.00 -0.025 -0.064 | 36.00 -0.025 -0.064 | 40.00 +0.039 +0.000 | 4.70 +0.078 +0.030 | 3.50 -0.030 -0.078 | \$27.02 |
| WRFA 50X12 | 42 | 50 | 12 | 12.00 +0.12 +0.05 | 42.00 -0.025 -0.064 | 46.00 -0.025 -0.064 | 50.00 +0.039 +0.000 | 6.20 +0.098 +0.040 | 3.00 -0.02 -0.06 | 32.09 |
| WRFA 60X8.5 | | 60 | 8.5 | 8.50 +0.098 +0.040 | | | 60.00 +0.046 +0.000 | | | 46.87 |
| WRFA 60X12 | 52 | 60 | 12 | 12.00 +0.12 +0.05 | 52.00 -0.030 -0.076 | 56.00 -0.030 -0.076 | 60.00 +0.046 +0.000 | 6.20 +0.098 +0.040 | 3.00 -0.02 -0.06 | 38.85 |
| WRFA 63X12 | 55 | 63 | 12 | 12.00 +0.12 +0.05 | 55.00 -0.030 -0.076 | 59.00 -0.030 -0.076 | 63.00 +0.046 +0.000 | 6.20 +0.098 +0.040 | 3.00 -0.02 -0.06 | 41.37 |
| WRFA 70X8.5 | | 70 | 8.5 | 8.50 +0.098 +0.040 | | | 70.00 +0.046 +0.000 | | | 48.14 |
| WRFA 70X12 | 62 | 70 | 12 | 12.00 +0.12 +0.05 | 62.00 -0.030 -0.076 | 66.00 -0.030 -0.076 | 70.00 +0.046 +0.000 | 6.20 +0.098 +0.040 | 3.00 -0.02 -0.06 | 43.43 |
| WRFA 75X12 | 67 | 75 | 12 | 12.00 +0.12 +0.05 | 67.00 -0.030 -0.076 | 71.00 -0.030 -0.076 | 75.00 +0.046 +0.000 | 6.20 +0.098 +0.040 | 3.00 -0.02 -0.06 | 43.91 |
| WRFA 80X14 | 72 | 80 | 14 | 14.00 +0.12 +0.05 | 72.00 -0.030 -0.076 | 76.00 -0.030 -0.076 | 80.00 +0.046 +0.000 | 7.20 +0.098 +0.040 | 3.00 -0.02 -0.06 | 45.61 |
| WRFA 90X14 | 82 | 90 | 14 | 14.00 +0.12 +0.05 | 82.00 -0.036 -0.090 | 86.00 -0.036 -0.090 | 90.00 +0.054 +0.000 | 7.20 +0.098 +0.040 | 3.00 -0.02 -0.06 | 57.43 |
| WRFA 100X10.6 | 92 | 100 | 10.6 | 10.60 +0.12 +0.05 | 92.00 -0.036 -0.090 | 96.00 -0.036 -0.090 | 100.00 +0.054 +0.000 | 3.80 +0.078 +0.030 | 3.00 -0.02 -0.06 | 58.27 |
| WRFA 100X14 | 92 | 100 | 14 | 14.00 +0.12 +0.05 | 92.00 -0.036 -0.090 | 96.00 -0.036 -0.090 | 100.00 +0.054 +0.000 | 7.20 +0.098 +0.040 | 3.00 -0.02 -0.06 | 68.83 |
| WRFA 105X14 | 97 | 105 | 14 | 14.00 +0.12 +0.05 | 97.00 -0.036 -0.090 | 101.00 -0.036 -0.090 | 105.00 +0.054 +0.000 | 7.20 +0.098 +0.040 | 3.00 -0.02 -0.06 | 66.72 |

NORTH AMERICA
 PHONE 1-800-777-5617
 FAX 1-800-759-6391

SALES OFFICE HOURS
 8 A.M. TO 7:30 P.M. EASTERN TIME
www.HerculesUS.com

WORLDWIDE
 PHONE 1-727-796-1300
 FAX 1-727-797-8849



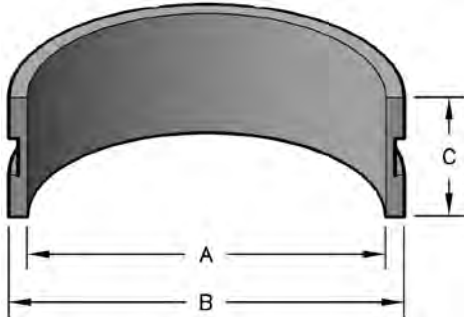
STYLE WRFA WEAR RINGS

| Part Number | A Nom. ID | B Nom. OD | C Nom. Ht | D GROOVE WIDTH | H GROOVE DIAMETER | I ₁ PROTRUSION DIAMETER | J BORE DIAMETER | D ₂ BASE GROOVE WIDTH | D ₃ PROTRUSION WIDTH | List Price |
|---------------|-----------------|-----------------|-----------------|---------------------------|----------------------------|--|----------------------------|--|---------------------------------------|---------------|
| WRFA 115X14 | 107 | 115 | 14 | 14.00 +0.12 +0.05 | 107.00 -0.036 -0.090 | 111.00 -0.036 -0.090 | 115.00 +0.054 +0.000 | 7.20 +0.098 +0.040 | 3.00 -0.02 -0.06 | 71.97 |
| WRFA 120X14 | 112 | 120 | 14 | 14.00 +0.12 +0.05 | 112.00 -0.036 -0.090 | 116.00 -0.036 -0.090 | 120.00 +0.054 +0.000 | 7.20 +0.098 +0.040 | 3.00 -0.02 -0.06 | 73.48 |
| WRFA 125X17.5 | 115 | 125 | 17.5 | 17.50 +0.12 +0.05 | 115.00 -0.036 -0.090 | 121.00 -0.043 -0.106 | 125.00 +0.063 +0.000 | 9.20 +0.098 +0.040 | 4.00 -0.030 -0.078 | 72.64 |
| WRFA 140X17.5 | 130 | 140 | 17.5 | 17.50 +0.12 +0.05 | 130.00 -0.043 -0.106 | 136.00 -0.043 -0.106 | 140.00 +0.063 +0.000 | 9.20 +0.098 +0.040 | 4.00 -0.030 -0.078 | 89.10 |
| WRFA 160X17.5 | 150 | 160 | 17.5 | 17.50 +0.12 +0.05 | 150.00 -0.043 -0.106 | 156.00 -0.043 -0.106 | 160.00 +0.063 +0.000 | 9.20 +0.098 +0.040 | 4.00 -0.030 -0.078 | 138.33 |
| WRFA 180X15.6 | | 180 | 15.6 | 15.60 +0.12 +0.05 | | | 180.00 +0.063 +0.000 | | | 135.13 |
| WRFA 180X20 | 170 | 180 | 20 | 20.00 +0.149 +0.065 | 170.00 -0.043 -0.106 | 176.00 -0.043 -0.106 | 180.00 +0.063 +0.000 | 9.20 +0.098 +0.040 | 6.00 -0.030 -0.078 | 142.40 |
| WRFA 180X24 | 170 | 180 | 24 | 24.00 +0.149 +0.065 | 170.00 -0.043 -0.106 | 175.00 -0.043 -0.106 | 180.00 +0.063 +0.000 | 8.50 +0.098 +0.040 | 7.00 -0.040 -0.098 | 173.97 |
| WRFA 190X20 | 180 | 190 | 20 | 20.00 +0.149 +0.065 | 180.00 -0.043 -0.106 | 186.00 -0.050 -0.122 | 190.00 +0.072 +0.000 | 11.70 +0.12 +0.05 | 4.50 -0.030 -0.078 | 158.36 |
| WRFA 200X20 | 190 | 200 | 20 | 20.00 +0.149 +0.065 | 190.00 -0.050 -0.122 | 196.00 -0.050 -0.122 | 200.00 +0.072 +0.000 | 11.70 +0.12 +0.05 | 4.50 -0.030 -0.078 | 187.49 |
| WRFA 220X25 | 210 | 220 | 25 | 25.00 +0.149 +0.065 | 210.00 -0.050 -0.122 | 216.00 -0.050 -0.122 | 220.00 +0.072 +0.000 | 11.70 +0.12 +0.05 | 8.00 -0.040 -0.098 | 211.99 |
| WRFA 225X25 | 215 | 225 | 25 | 25.00 +0.149 +0.065 | 215.00 -0.050 -0.122 | 221.00 -0.050 -0.122 | 225.00 +0.072 +0.000 | 11.70 +0.12 +0.05 | 8.00 -0.040 -0.098 | 241.12 |
| WRFA 230X25 | 220 | 230 | 25 | 25.00 +0.149 +0.065 | 220.00 -0.050 -0.122 | 226.00 -0.050 -0.122 | 230.00 +0.072 +0.000 | 11.70 +0.12 +0.05 | 8.00 -0.040 -0.098 | 241.12 |
| WRFA 250X33 | 240 | 250 | 33 | 33.00 +0.18 +0.08 | 240.00 -0.050 -0.122 | 246.00 -0.050 -0.122 | 250.00 +0.072 +0.000 | 11.70 +0.12 +0.05 | 15.00 -0.05 -0.12 | 277.87 |
| WRFA 275X33 | 265 | 275 | 33 | 33.00 +0.18 +0.08 | 265.00 -0.056 -0.137 | 271.00 -0.056 -0.137 | 275.00 +0.081 +0.000 | 11.70 +0.12 +0.05 | 15.00 -0.05 -0.12 | 295.61 |
| WRFA 280X27.5 | | 280 | 27.5 | 27.50 +0.149 +0.065 | | | 280.00 +0.081 +0.000 | | | 349.67 |
| WRFA 280X33 | 270 | 280 | 33 | 33.00 +0.18 +0.08 | 270.00 -0.056 -0.137 | 276.00 -0.056 -0.137 | 280.00 +0.081 +0.000 | 11.70 +0.12 +0.05 | 15.00 -0.05 -0.12 | 380.47 |
| WRFA 300X33 | 290 | 300 | 33 | 33.00 +0.18 +0.08 | 290.00 -0.056 -0.137 | 296.00 -0.056 -0.137 | 300.00 +0.081 +0.000 | 11.70 +0.12 +0.05 | 15.00 -0.05 -0.12 | 347.27 |
| WRFA 310X35 | 298 | 310 | 35 | 35.00 +0.18 +0.08 | 298.00 -0.056 -0.137 | 304.00 -0.056 -0.137 | 310.00 +0.081 +0.000 | 13.25 +0.12 +0.05 | 8.50 -0.040 -0.098 | 380.13 |
| WRFA 400X35 | 388 | 400 | 35 | 35.00 +0.18 +0.08 | 388.00 -0.062 -0.151 | 394.00 -0.062 -0.151 | 400.00 +0.089 +0.000 | 13.25 +0.12 +0.05 | 8.50 -0.040 -0.098 | 634.11 |
| WRFA 480X35 | 468 | 480 | 35 | 35.00 +0.18 +0.08 | 468.00 -0.068 -0.165 | 474.00 -0.068 -0.165 | 480.00 +0.097 +0.000 | 13.25 +0.12 +0.05 | 8.50 -0.040 -0.098 | 717.88 |

WEAR RINGS

STYLE WRFI WEAR RINGS

WRFI bearings are manufactured of an extremely abrasion-resistant and low-friction POM-PTFE Bronze compound. The excellent dry-running properties allow installation behind the primary rod-seal. These are genuine Hunger® parts.

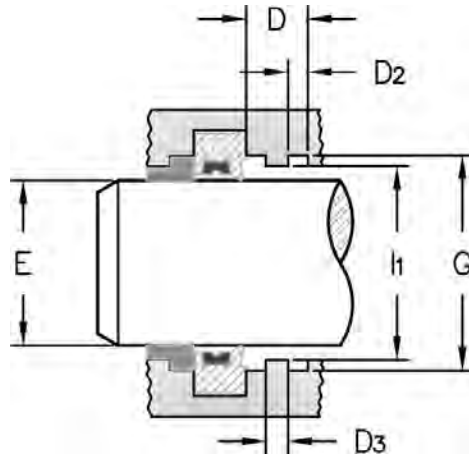


HERCULES PART NUMBERS



SEAL INFORMATION

| | |
|-------------------|-----------------|
| MATERIAL | POM - PTFE / BZ |
| TEMPERATURE RANGE | -65 TO +248° F |
| SPEED | 12 FT/SEC |



| Part Number | A Nom. ID | B Nom. OD | C Nom. Ht | D GROOVE WIDTH | E ROD DIAMETER | G HOUSING DIAMETER | I ₁ PROTRUSION DIAMETER | D ₂ BASE GROOVE WIDTH | D ₃ PROTRUSION WIDTH | List Price |
|-------------|-----------------|-----------------|-----------------|---|---|---|---|--|--|---------------|
| WRFI22X19 | 22 | 28 | 19 | 19.00 ^{+0.149} _{+0.065} | 22.00 ^{-0.040} _{-0.073} | 28.00 ^{+0.052} _{+0.000} | 25.00 ^{+0.052} _{+0.000} | 6.50 ^{+0.098} _{+0.040} | 6.00 ^{-0.030} _{-0.078} | \$ 13.80 |
| WRFI25X19 | 25 | 31 | 19 | 19.00 ^{+0.149} _{+0.065} | 25.00 ^{-0.040} _{-0.073} | 31.00 ^{+0.062} _{+0.000} | 28.00 ^{+0.052} _{+0.000} | 6.50 ^{+0.098} _{+0.040} | 6.00 ^{-0.030} _{-0.078} | 15.77 |
| WRFI35X19 | 35 | 41 | 19 | 19.00 ^{+0.149} _{+0.065} | 35.00 ^{-0.050} _{-0.089} | 41.00 ^{+0.062} _{+0.000} | 38.00 ^{+0.062} _{+0.000} | 6.50 ^{+0.098} _{+0.040} | 6.00 ^{-0.030} _{-0.078} | 23.65 |
| WRFI36X19 | 36 | 42 | 19 | 19.00 ^{+0.149} _{+0.065} | 36.00 ^{-0.050} _{-0.089} | 42.00 ^{+0.062} _{+0.000} | 39.00 ^{+0.062} _{+0.000} | 6.50 ^{+0.098} _{+0.040} | 6.00 ^{-0.030} _{-0.078} | 23.65 |
| WRFI40X19 | 40 | 46 | 19 | 19.00 ^{+0.149} _{+0.065} | 40.00 ^{-0.050} _{-0.089} | 46.00 ^{+0.062} _{+0.000} | 43.00 ^{+0.062} _{+0.000} | 6.50 ^{+0.098} _{+0.040} | 6.00 ^{-0.030} _{-0.078} | 28.85 |
| WRFI45X19 | 45 | 51 | 19 | 19.00 ^{+0.149} _{+0.065} | 45.00 ^{-0.050} _{-0.089} | 51.00 ^{+0.074} _{+0.000} | 48.00 ^{+0.062} _{+0.000} | 6.50 ^{+0.098} _{+0.040} | 6.00 ^{-0.030} _{-0.078} | 27.24 |
| WRFI50X19 | 50 | 56 | 19 | 19.00 ^{+0.149} _{+0.065} | 50.00 ^{-0.050} _{-0.089} | 56.00 ^{+0.074} _{+0.000} | 53.00 ^{+0.074} _{+0.000} | 6.50 ^{+0.098} _{+0.040} | 6.00 ^{-0.030} _{-0.078} | 31.53 |
| WRFI55X19 | 55 | 61 | 19 | 19.00 ^{+0.149} _{+0.065} | 55.00 ^{-0.060} _{-0.106} | 61.00 ^{+0.074} _{+0.000} | 58.00 ^{+0.074} _{+0.000} | 6.50 ^{+0.098} _{+0.040} | 6.00 ^{-0.030} _{-0.078} | 31.53 |
| WRFI56X19 | 56 | 62 | 19 | 19.00 ^{+0.149} _{+0.065} | 56.00 ^{-0.060} _{-0.106} | 62.00 ^{+0.074} _{+0.000} | 59.00 ^{+0.074} _{+0.000} | 6.50 ^{+0.098} _{+0.040} | 6.00 ^{-0.030} _{-0.078} | 32.31 |
| WRFI63X24 | 63 | 73 | 24 | 24.00 ^{+0.149} _{+0.065} | 63.00 ^{-0.060} _{-0.106} | 73.00 ^{+0.074} _{+0.000} | 68.00 ^{+0.074} _{+0.000} | 8.50 ^{+0.098} _{+0.040} | 7.00 ^{-0.040} _{-0.098} | 36.67 |
| WRFI70X24 | 70 | 80 | 24 | 24.00 ^{+0.149} _{+0.065} | 70.00 ^{-0.060} _{-0.106} | 80.00 ^{+0.074} _{+0.000} | 75.00 ^{+0.074} _{+0.000} | 8.50 ^{+0.098} _{+0.040} | 7.00 ^{-0.040} _{-0.098} | 44.54 |



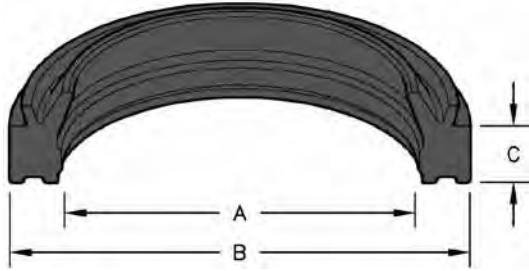
STYLE WRFI WEAR RINGS

| Part Number | A Nom. ID | B Nom. OD | C Nom. Ht | D GROOVE WIDTH | E ROD DIAMETER | G HOUSING DIAMETER | I ₁ PROTRUSION DIAMETER | D ₂ BASE GROOVE WIDTH | D ₃ PROTRUSION WIDTH | List Price |
|-------------|-----------|-----------|-----------|---|--|--|--|---|--|------------|
| WRFI80X24 | 80 | 90 | 24 | 24.00 ^{+0.149} / _{+0.065} | 80.00 ^{-0.060} / _{-0.106} | 90.00 ^{+0.087} / _{+0.000} | 85.00 ^{+0.087} / _{+0.000} | 8.50 ^{+0.098} / _{+0.040} | 7.00 ^{-0.040} / _{-0.098} | 51.22 |
| WRFI90X24 | 90 | 100 | 24 | 24.00 ^{+0.149} / _{+0.065} | 90.00 ^{-0.072} / _{-0.126} | 100.00 ^{+0.087} / _{+0.000} | 95.00 ^{+0.087} / _{+0.000} | 8.50 ^{+0.098} / _{+0.040} | 7.00 ^{-0.040} / _{-0.098} | 49.66 |
| WRFI95X24 | 95 | 105 | 24 | 24.00 ^{+0.149} / _{+0.065} | 95.00 ^{-0.072} / _{-0.126} | 105.00 ^{+0.087} / _{+0.000} | 100.00 ^{+0.087} / _{+0.000} | 8.50 ^{+0.098} / _{+0.040} | 7.00 ^{-0.040} / _{-0.098} | 56.37 |
| WRFI100X24 | 100 | 110 | 24 | 24.00 ^{+0.149} / _{+0.065} | 100.00 ^{-0.072} / _{-0.126} | 110.00 ^{+0.087} / _{+0.000} | 105.00 ^{+0.087} / _{+0.000} | 8.50 ^{+0.098} / _{+0.040} | 7.00 ^{-0.040} / _{-0.098} | 55.18 |
| WRFI105X24 | 105 | 115 | 24 | 24.00 ^{+0.149} / _{+0.065} | 105.00 ^{-0.072} / _{-0.126} | 115.00 ^{+0.087} / _{+0.000} | 110.00 ^{+0.087} / _{+0.000} | 8.50 ^{+0.098} / _{+0.040} | 7.00 ^{-0.040} / _{-0.098} | 73.71 |
| WRFI110X24 | 110 | 120 | 24 | 24.00 ^{+0.149} / _{+0.065} | 110.00 ^{-0.072} / _{-0.126} | 120.00 ^{+0.087} / _{+0.000} | 115.00 ^{+0.087} / _{+0.000} | 8.50 ^{+0.098} / _{+0.040} | 7.00 ^{-0.040} / _{-0.098} | 68.49 |
| WRFI115X24 | 115 | 125 | 24 | 24.00 ^{+0.149} / _{+0.065} | 115.00 ^{-0.072} / _{-0.126} | 125.00 ^{+0.10} / _{+0.00} | 120.00 ^{+0.087} / _{+0.000} | 8.50 ^{+0.098} / _{+0.040} | 7.00 ^{-0.040} / _{-0.098} | 70.55 |
| WRFI120X24 | 120 | 130 | 24 | 24.00 ^{+0.149} / _{+0.065} | 120.00 ^{-0.072} / _{-0.126} | 130.00 ^{+0.10} / _{+0.00} | 125.00 ^{+0.10} / _{+0.00} | 8.50 ^{+0.098} / _{+0.040} | 7.00 ^{-0.040} / _{-0.098} | 69.38 |
| WRFI125X24 | 125 | 135 | 24 | 24.00 ^{+0.149} / _{+0.065} | 125.00 ^{-0.085} / _{-0.148} | 135.00 ^{+0.10} / _{+0.00} | 130.00 ^{+0.10} / _{+0.00} | 8.50 ^{+0.098} / _{+0.040} | 7.00 ^{-0.040} / _{-0.098} | 70.16 |
| WRFI130X24 | 130 | 140 | 24 | 24.00 ^{+0.149} / _{+0.065} | 130.00 ^{-0.085} / _{-0.148} | 140.00 ^{+0.10} / _{+0.00} | 135.00 ^{+0.10} / _{+0.00} | 8.50 ^{+0.098} / _{+0.040} | 7.00 ^{-0.040} / _{-0.098} | 70.16 |
| WRFI140X24 | 140 | 150 | 24 | 24.00 ^{+0.149} / _{+0.065} | 140.00 ^{-0.085} / _{-0.148} | 150.00 ^{+0.10} / _{+0.00} | 145.00 ^{+0.10} / _{+0.00} | 8.50 ^{+0.098} / _{+0.040} | 7.00 ^{-0.040} / _{-0.098} | 74.90 |
| WRFI150X35 | 150 | 162 | 35 | 35.00 ^{+0.18} / _{+0.08} | 150.00 ^{-0.085} / _{-0.148} | 162.00 ^{+0.10} / _{+0.00} | 156.00 ^{+0.10} / _{+0.00} | 10.00 ^{+0.098} / _{+0.040} | 15.00 ^{-0.05} / _{-0.12} | 89.46 |
| WRFI160X24 | 160 | 170 | 24 | 24.00 ^{+0.149} / _{+0.065} | 160.00 ^{-0.085} / _{-0.148} | 170.00 ^{+0.10} / _{+0.00} | 165.00 ^{+0.10} / _{+0.00} | 8.50 ^{+0.098} / _{+0.040} | 7.00 ^{-0.040} / _{-0.098} | 130.85 |
| WRFI160X35 | 160 | 172 | 35 | 35.00 ^{+0.18} / _{+0.08} | 160.00 ^{-0.085} / _{-0.148} | 172.00 ^{+0.10} / _{+0.00} | 166.00 ^{+0.10} / _{+0.00} | 10.00 ^{+0.098} / _{+0.040} | 15.00 ^{-0.05} / _{-0.12} | 112.32 |
| WRFI180X24 | 180 | 190 | 24 | 24.00 ^{+0.149} / _{+0.065} | 180.00 ^{-0.085} / _{-0.148} | 190.00 ^{+0.115} / _{+0.000} | 185.00 ^{+0.115} / _{+0.000} | 8.50 ^{+0.098} / _{+0.040} | 7.00 ^{-0.040} / _{-0.098} | 157.65 |
| WRFI180X35 | 180 | 192 | 35 | 35.00 ^{+0.18} / _{+0.08} | 180.00 ^{-0.085} / _{-0.148} | 192.00 ^{+0.115} / _{+0.000} | 186.00 ^{+0.115} / _{+0.000} | 10.00 ^{+0.098} / _{+0.040} | 15.00 ^{-0.05} / _{-0.12} | 154.50 |
| WRFI190X35 | 190 | 202 | 35 | 35.00 ^{+0.18} / _{+0.08} | 190.00 ^{-0.100} / _{-0.172} | 202.00 ^{+0.115} / _{+0.000} | 196.00 ^{+0.115} / _{+0.000} | 10.00 ^{+0.098} / _{+0.040} | 15.00 ^{-0.05} / _{-0.12} | 149.76 |
| WRFI200X35 | 200 | 212 | 35 | 35.00 ^{+0.18} / _{+0.08} | 200.00 ^{-0.100} / _{-0.172} | 212.00 ^{+0.115} / _{+0.000} | 206.00 ^{+0.115} / _{+0.000} | 10.00 ^{+0.098} / _{+0.040} | 15.00 ^{-0.05} / _{-0.12} | 174.98 |
| WRFI220X35 | 220 | 232 | 35 | 35.00 ^{+0.18} / _{+0.08} | 220.00 ^{-0.100} / _{-0.172} | 232.00 ^{+0.115} / _{+0.000} | 226.00 ^{+0.115} / _{+0.000} | 10.00 ^{+0.098} / _{+0.040} | 15.00 ^{-0.05} / _{-0.12} | 206.13 |
| WRFI240X35 | 240 | 252 | 35 | 35.00 ^{+0.18} / _{+0.08} | 240.00 ^{-0.100} / _{-0.172} | 252.00 ^{+0.13} / _{+0.00} | 246.00 ^{+0.115} / _{+0.000} | 10.00 ^{+0.098} / _{+0.040} | 15.00 ^{-0.05} / _{-0.12} | 266.84 |

WEAR RINGS

STYLE MSWP SNAP-IN WIPERS

This wiper features a lip on top of the shoulder which makes contact with the throat of the groove. This serves to prevent contaminants from entering the groove.

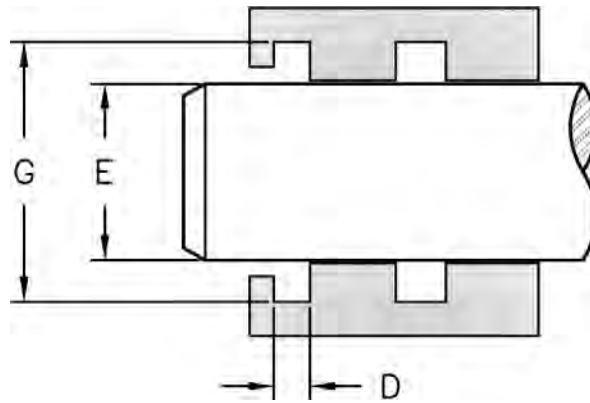


HERCULES PART NUMBERS

MSWP - 20 X 28 X 4
 Type of Seal Inside Diameter Outside Diameter Height

SEAL INFORMATION

| | |
|-------------------|-----------------|
| MATERIAL | URETHANE |
| TEMPERATURE RANGE | -30° TO +220° F |
| SPEED | 3 FT/SEC |



| Part Number | A Nom. ID | B Nom. OD | C Nom. Ht | D GROOVE WIDTH | E ROD DIAMETER | G HOUSING DIAMETER | List Price |
|--------------|--------------|--------------|--------------|--|----------------------|--------------------------|---------------|
| MSWP-20X28X4 | 20 | 28 | 4 | 4.00 ^{+0.20} / _{+0.00} | 20.00 | 28.00 | \$6.25 |
| MSWP-22X30X4 | 22 | 30 | 4 | 4.00 ^{+0.20} / _{+0.00} | 22.00 | 30.00 | 6.25 |
| MSWP-25X33X4 | 25 | 33 | 4 | 4.00 ^{+0.20} / _{+0.00} | 25.00 | 33.00 | 6.25 |
| MSWP-28X36X4 | 28 | 36 | 4 | 4.00 ^{+0.20} / _{+0.00} | 28.00 | 36.00 | 6.51 |
| MSWP-30X38X4 | 30 | 38 | 4 | 4.00 ^{+0.20} / _{+0.00} | 30.00 | 38.00 | 6.77 |
| MSWP-32X40X4 | 32 | 40 | 4 | 4.00 ^{+0.20} / _{+0.00} | 32.00 | 40.00 | 7.31 |
| MSWP-32X40X5 | 32 | 40 | 5 | 5.00 ^{+0.20} / _{+0.00} | 32.00 | 40.00 | 6.71 |
| MSWP-35X43X4 | 35 | 43 | 4 | 4.00 ^{+0.20} / _{+0.00} | 35.00 | 43.00 | 7.31 |
| MSWP-36X44X4 | 36 | 44 | 4 | 4.00 ^{+0.20} / _{+0.00} | 36.00 | 44.00 | 7.53 |
| MSWP-40X48X4 | 40 | 48 | 4 | 4.00 ^{+0.20} / _{+0.00} | 40.00 | 48.00 | 7.70 |
| MSWP-40X48X5 | 40 | 48 | 5 | 5.00 ^{+0.20} / _{+0.00} | 40.00 | 48.00 | 7.70 |
| MSWP-45X53X4 | 45 | 53 | 4 | 4.00 ^{+0.20} / _{+0.00} | 45.00 | 53.00 | 8.02 |
| MSWP-50X58X4 | 50 | 58 | 4 | 4.00 ^{+0.20} / _{+0.00} | 50.00 | 58.00 | 8.98 |
| MSWP-50X58X5 | 50 | 58 | 5 | 5.00 ^{+0.20} / _{+0.00} | 50.00 | 58.00 | 8.98 |
| MSWP-55X63X4 | 55 | 63 | 4 | 4.00 ^{+0.20} / _{+0.00} | 55.00 | 63.00 | 9.38 |
| MSWP-56X64X4 | 56 | 64 | 4 | 4.00 ^{+0.20} / _{+0.00} | 56.00 | 64.00 | 9.38 |

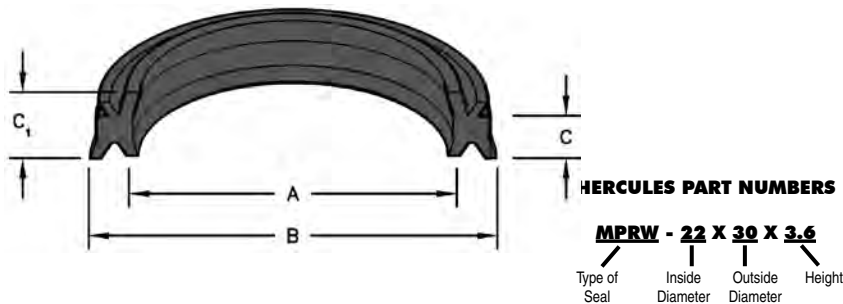
**STYLE MSWP SNAP-IN WIPERS**

| Part Number | A Nom. ID | B Nom. OD | C Nom. Ht | D GROOVE WIDTH | E ROD DIAMETER | G HOUSING DIAMETER | List Price |
|------------------|--------------|--------------|--------------|--|----------------------|--------------------------|---------------|
| MSWP-60X68X4 | 60 | 68 | 4 | 4.00 ^{+0.20} / _{+0.00} | 60.00 | 68.00 | 10.07 |
| MSWP-63X71X4 | 63 | 71 | 4 | 4.00 ^{+0.20} / _{+0.00} | 63.00 | 71.00 | 11.55 |
| MSWP-65X73X4 | 65 | 73 | 4 | 4.00 ^{+0.20} / _{+0.00} | 65.00 | 73.00 | 13.26 |
| MSWP-70X78X4 | 70 | 78 | 4 | 4.00 ^{+0.20} / _{+0.00} | 70.00 | 78.00 | 13.71 |
| MSWP-70X80X6.3 | 70 | 80 | 6.3 | 6.30 ^{+0.20} / _{+0.00} | 70.00 | 80.00 | 14.34 |
| MSWP-75X83X4 | 75 | 83 | 4 | 4.00 ^{+0.20} / _{+0.00} | 75.00 | 83.00 | 11.05 |
| MSWP-80X88X4 | 80 | 88 | 4 | 4.00 ^{+0.20} / _{+0.00} | 80.00 | 88.00 | 12.98 |
| MSWP-80X90X6.3 | 80 | 90 | 6.3 | 6.30 ^{+0.20} / _{+0.00} | 80.00 | 90.00 | 14.95 |
| MSWP-85X93X4 | 85 | 93 | 4 | 4.00 ^{+0.20} / _{+0.00} | 85.00 | 93.00 | 12.21 |
| MSWP-90X98X4 | 90 | 98 | 4 | 4.00 ^{+0.20} / _{+0.00} | 90.00 | 98.00 | 12.61 |
| MSWP-100X108X4 | 100 | 108 | 4 | 4.00 ^{+0.20} / _{+0.00} | 100.00 | 108.00 | 14.08 |
| MSWP-100X115X9.5 | 100 | 115 | 9.5 | 9.50 ^{+0.20} / _{+0.00} | 100.00 | 115.00 | 28.16 |
| MSWP-140X152X5.5 | 140 | 152 | 5.5 | 5.50 ^{+0.20} / _{+0.00} | 140.00 | 152.00 | 38.98 |

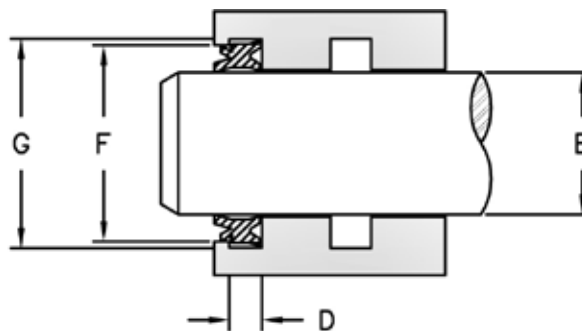
WIPER RINGS

STYLE MPRW WIPERS

Double lip wiper with integrated pressure relief function incorporating special sealing and wiping edges.



| SEAL INFORMATION | |
|-------------------|-----------------|
| MATERIAL | 94A URETHANE |
| TEMPERATURE RANGE | -34° TO +255° F |
| SPEED | 1.65 FT/SEC |

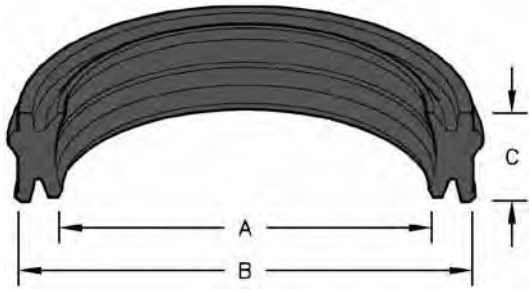


| Part Number | A Nom. ID | B Nom. OD | C Nom. Ht | C ₁ OVERALL HEIGHT | D GROOVE WIDTH | E ROD DIAMETER | F THROAT DIAMETER | G HOUSING DIAMETER | List Price |
|----------------|--------------|--------------|--------------|----------------------------------|--|----------------------|---|---|---------------|
| MPRW-22X30X3.6 | 22 | 30 | 3.6 | 7.00 | 4.00 ^{+0.20} _{+0.00} | 22.00 | 28.00 ^{+0.084} _{+0.000} | 30.00 ^{+0.084} _{+0.000} | \$ 7.85 |
| MPRW-25X33X3.6 | 25 | 33 | 3.6 | 7.00 | 4.00 ^{+0.20} _{+0.00} | 25.00 | 31.00 ^{+0.10} _{+0.00} | 33.00 ^{+0.10} _{+0.00} | 8.79 |
| MPRW-28X36X3.6 | 28 | 36 | 3.6 | 7.00 | 4.00 ^{+0.20} _{+0.00} | 28.00 | 34.00 ^{+0.10} _{+0.00} | 36.00 ^{+0.10} _{+0.00} | 9.20 |
| MPRW-30X38X3.6 | 30 | 38 | 3.6 | 7.00 | 4.00 ^{+0.20} _{+0.00} | 30.00 | 36.00 ^{+0.10} _{+0.00} | 38.00 ^{+0.10} _{+0.00} | 9.20 |
| MPRW-32X40X3.6 | 32 | 40 | 3.6 | 7.00 | 4.00 ^{+0.20} _{+0.00} | 32.00 | 38.00 ^{+0.10} _{+0.00} | 40.00 ^{+0.10} _{+0.00} | 9.20 |
| MPRW-35X43X3.6 | 35 | 43 | 3.6 | 7.00 | 4.00 ^{+0.20} _{+0.00} | 35.00 | 41.00 ^{+0.10} _{+0.00} | 43.00 ^{+0.10} _{+0.00} | 9.53 |
| MPRW-38X46X3.6 | 38 | 46 | 3.6 | 7.00 | 4.00 ^{+0.20} _{+0.00} | 38.00 | 44.00 ^{+0.10} _{+0.00} | 46.00 ^{+0.10} _{+0.00} | 10.01 |
| MPRW-40X48X3.6 | 40 | 48 | 3.6 | 7.00 | 4.00 ^{+0.20} _{+0.00} | 40.00 | 46.00 ^{+0.10} _{+0.00} | 48.00 ^{+0.10} _{+0.00} | 10.01 |
| MPRW-43X51X3.6 | 43 | 51 | 3.6 | 7.00 | 4.00 ^{+0.20} _{+0.00} | 43.00 | 49.00 ^{+0.10} _{+0.00} | 51.00 ^{+0.12} _{+0.00} | 11.62 |
| MPRW-48X58X6 | 48 | 58 | 6 | 9.00 | 6.30 ^{+0.20} _{+0.00} | 48.00 | 55.00 ^{+0.12} _{+0.00} | 58.00 ^{+0.12} _{+0.00} | 12.71 |
| MPRW-50X58X3.6 | 50 | 58 | 3.6 | 7.00 | 4.00 ^{+0.20} _{+0.00} | 50.00 | 56.00 ^{+0.12} _{+0.00} | 58.00 ^{+0.12} _{+0.00} | 12.71 |
| MPRW-50X60X6 | 50 | 60 | 6 | 9.00 | 6.30 ^{+0.20} _{+0.00} | 50.00 | 57.00 ^{+0.12} _{+0.00} | 60.00 ^{+0.12} _{+0.00} | 12.71 |
| MPRW-55X63X3.6 | 55 | 63 | 3.6 | 7.00 | 4.00 ^{+0.20} _{+0.00} | 55.00 | 61.00 ^{+0.12} _{+0.00} | 63.00 ^{+0.12} _{+0.00} | 13.38 |
| MPRW-60X70X6 | 60 | 70 | 6 | 9.00 | 6.30 ^{+0.20} _{+0.00} | 60.00 | 67.00 ^{+0.12} _{+0.00} | 70.00 ^{+0.12} _{+0.00} | 14.06 |
| MPRW-70X80X6 | 70 | 80 | 6 | 9.00 | 6.30 ^{+0.20} _{+0.00} | 70.00 | 77.00 ^{+0.12} _{+0.00} | 80.00 ^{+0.12} _{+0.00} | 15.33 |
| MPRW-85X95X6 | 85 | 95 | 6 | 9.00 | 6.30 ^{+0.20} _{+0.00} | 85.00 | 92.00 ^{+0.14} _{+0.00} | 95.00 ^{+0.14} _{+0.00} | 21.07 |

Seal color may vary. Special order sizes are available. Please call your regional sales team for assistance.

STYLE MK51 WIPERS

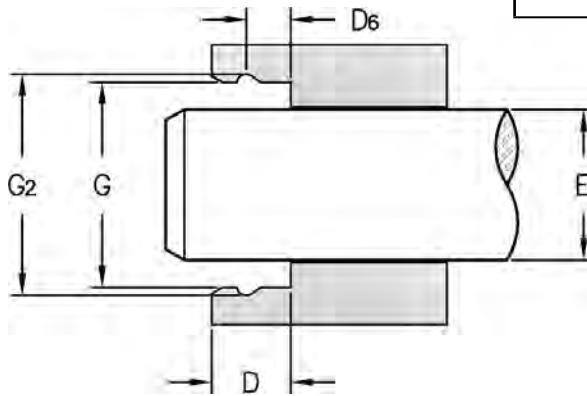
MK51 is a polyurethane pneumatic combo seal that is used as both a rod seal and wiper.



HERCULES PART NUMBERS

MK51 - 12 X 22 X 10.4
 Type of Seal Inside Diameter Outside Diameter Height

| SEAL INFORMATION | |
|-------------------|------------------|
| MATERIAL | 92A POLYURETHANE |
| TEMPERATURE RANGE | -22° F, +200° F |
| MAXIMUM PRESSURE | 230 PSI |
| SPEED | 3 FT/SEC |



WIPER RINGS

| Part Number | A Nom. ID | B Nom. OD | C Nom. Ht | D GROOVE WIDTH | E ROD DIAMETER | G HOUSING DIAMETER | G ₂ HOOK HOUSING DIAMETER | D ₆ | List Price |
|-----------------|--------------|--------------|--------------|---|---|---|--|--|------------|
| MK51-12X22X10.4 | 12 | 22 | 10.4 | 13.00 ^{+0.50} / _{+0.00} | 12.00 ^{-0.016} / _{-0.059} | 22.00 ^{+0.084} / _{+0.000} | 24.20 ±0.10 | 7.70 ^{+0.20} / _{+0.00} | \$8.42 |
| MK51-16X26X10.4 | 16 | 26 | 10.4 | 13.00 ^{+0.50} / _{+0.00} | 16.00 ^{-0.016} / _{-0.059} | 26.00 ^{+0.084} / _{+0.000} | 28.20 ±0.10 | 7.70 ^{+0.20} / _{+0.00} | 8.59 |
| MK51-18X28X10.4 | 18 | 28 | 10.4 | 13.00 ^{+0.50} / _{+0.00} | 18.00 ^{-0.016} / _{-0.059} | 28.00 ^{+0.084} / _{+0.000} | 30.20 ±0.10 | 7.70 ^{+0.20} / _{+0.00} | 8.87 |
| MK51-20X30X10.4 | 20 | 30 | 10.4 | 13.00 ^{+0.50} / _{+0.00} | 20.00 ^{-0.020} / _{-0.072} | 30.00 ^{+0.084} / _{+0.000} | 32.20 ±0.10 | 7.70 ^{+0.20} / _{+0.00} | 9.65 |
| MK51-25X35X10.4 | 25 | 35 | 10.4 | 13.00 ^{+0.50} / _{+0.00} | 25.00 ^{-0.020} / _{-0.072} | 35.00 ^{+0.10} / _{+0.00} | 37.80 ±0.10 | 8.00 ^{+0.20} / _{+0.00} | 10.32 |
| MK51-32X42X10.4 | 32 | 42 | 10.4 | 13.00 ^{+0.50} / _{+0.00} | 32.00 ^{-0.025} / _{-0.087} | 42.00 ^{+0.10} / _{+0.00} | 44.80 ±0.10 | 8.00 ^{+0.20} / _{+0.00} | 11.27 |
| MK51-40X50X10.4 | 40 | 50 | 10.4 | 13.00 ^{+0.50} / _{+0.00} | 40.00 ^{-0.025} / _{-0.087} | 50.00 ^{+0.10} / _{+0.00} | 52.80 ±0.10 | 8.00 ^{+0.20} / _{+0.00} | 15.47 |
| MK51-50X60X10.4 | 50 | 60 | 10.4 | 13.00 ^{+0.50} / _{+0.00} | 50.00 ^{-0.025} / _{-0.087} | 60.00 ^{+0.12} / _{+0.00} | 63.60 ±0.10 | 8.60 ^{+0.20} / _{+0.00} | 16.87 |

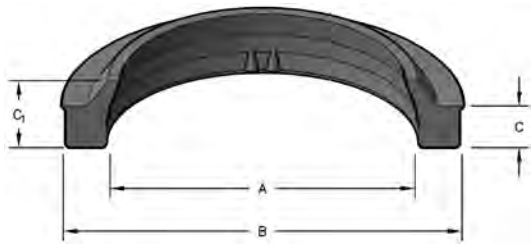
Seal color may vary. Special order sizes are available. Please call your regional sales team for assistance.

FORMERLY LISTED SEALS ARE AVAILABLE ONLINE AT WWW.HERCULESUS.COM
 OR BY CONTACTING YOUR REGIONAL HERCULES SALES TEAM.

NEW FOR 2016

STYLE MW38 SNAP-IN WIPERS

The style MW38 wiper is made from tough abrasion resistant polyester based material for difficult conditions found in mining and earth moving applications. It incorporates a sealing lip on the outside diameter to prevent moisture entering the groove.



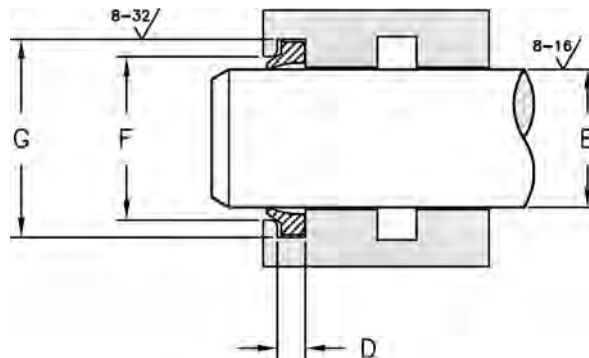
HERCULES PART NUMBERS

MW38 - 20 X 28 X 5

Type of Seal Inside Diameter Outside Diameter Height

SEAL INFORMATION

| | |
|-------------------|-----------------|
| MATERIAL | 55D POLYESTER |
| TEMPERATURE RANGE | -40° TO +250° F |
| SPEED | 12 FT/SEC |



WIPER RINGS

| Part Number | A Nom. ID | B Nom. OD | C Nom. Ht | C ₁ OVERALL HEIGHT | D GROOVE WIDTH | E ROD DIAMETER | F THROAT DIAMETER | G HOUSING DIAMETER | List Price |
|------------------|--------------|--------------|--------------|----------------------------------|---------------------|------------------------|----------------------|-----------------------|------------|
| MW38-20X28X5 | 20 | 28 | 5 | 8.00 | 5.00 +0.20 +0.00 | 20.00 -0.020 -0.072 | 25.50 +0.13 +0.00 | 28.00 +0.13 +0.00 | \$ 10.33 |
| MW38-22X30X5 | 22 | 30 | 5 | 8.00 | 5.00 +0.20 +0.00 | 22.00 -0.020 -0.072 | 27.50 +0.13 +0.00 | 30.00 +0.13 +0.00 | 10.50 |
| MW38-25X33X5 | 25 | 33 | 5 | 8.00 | 5.00 +0.20 +0.00 | 25.00 -0.020 -0.072 | 30.50 +0.16 +0.00 | 33.00 +0.16 +0.00 | 11.00 |
| MW38-28X36X5 | 28 | 36 | 5 | 8.00 | 5.00 +0.20 +0.00 | 28.00 -0.020 -0.072 | 33.50 +0.16 +0.00 | 36.00 +0.16 +0.00 | 11.39 |
| MW38-30X38X5 | 30 | 38 | 5 | 8.00 | 5.00 +0.20 +0.00 | 30.00 -0.020 -0.072 | 35.50 +0.16 +0.00 | 38.00 +0.16 +0.00 | 11.67 |
| MW38-32X40X5 | 32 | 40 | 5 | 8.00 | 5.00 +0.20 +0.00 | 32.00 -0.025 -0.087 | 37.50 +0.16 +0.00 | 40.00 +0.16 +0.00 | 12.06 |
| MW38-35X43X5 | 35 | 43 | 5 | 8.00 | 5.00 +0.20 +0.00 | 35.00 -0.025 -0.087 | 40.50 +0.16 +0.00 | 43.00 +0.16 +0.00 | 12.11 |
| MW38-36X44X5 | 36 | 44 | 5 | 8.00 | 5.00 +0.20 +0.00 | 36.00 -0.025 -0.087 | 41.50 +0.16 +0.00 | 44.00 +0.16 +0.00 | 12.22 |
| MW38-40X48X5 | 40 | 48 | 5 | 8.00 | 5.00 +0.20 +0.00 | 40.00 -0.025 -0.087 | 45.50 +0.16 +0.00 | 48.00 +0.16 +0.00 | 12.44 |
| MW38-45X53X5 | 45 | 53 | 4.5 | 12.00 | 5.00 +0.00 -0.20 | 45.00 -0.025 -0.087 | 50.50 +0.19 +0.00 | 53.00 +0.19 +0.00 | 13.00 |
| MW38-45X55.6X5.3 | 45 | 55.6 | 5.3 | 7.00 | 5.30 +0.20 +0.00 | 45.00 -0.025 -0.087 | 48.00 +0.16 +0.00 | 55.60 +0.19 +0.00 | 13.11 |
| MW38-50X58X5 | 50 | 58 | 5 | 8.00 | 5.00 +0.20 +0.00 | 50.00 -0.025 -0.087 | 55.50 +0.19 +0.00 | 58.00 +0.19 +0.00 | 13.17 |
| MW38-50X58.6X5.3 | 50 | 58.6 | 5.3 | 7.00 | 5.30 +0.20 +0.00 | 50.00 -0.025 -0.087 | 53.00 +0.19 +0.00 | 58.60 +0.19 +0.00 | 13.17 |
| MW38-50X60.6X5.3 | 50 | 60.6 | 5.3 | 7.00 | 5.30 +0.20 +0.00 | 50.00 -0.025 -0.087 | 53.00 +0.19 +0.00 | 60.60 +0.19 +0.00 | 13.56 |
| MW38-55X65.6X5.3 | 55 | 65.6 | 5.3 | 7.00 | 5.30 +0.20 +0.00 | 55.00 -0.030 -0.104 | 58.00 +0.19 +0.00 | 65.60 +0.19 +0.00 | 14.72 |
| MW38-56X66X6.3 | 56 | 66 | 6.3 | 10.00 | 6.30 +0.20 +0.00 | 56.00 -0.030 -0.104 | 63.00 +0.19 +0.00 | 66.00 +0.19 +0.00 | 12.83 |

NORTH AMERICA
PHONE 1-800-777-5617
FAX 1-800-759-6391

SALES OFFICE HOURS
8 A.M. TO 7:30 P.M. EASTERN TIME
www.HerculesUS.com

WORLDWIDE
PHONE 1-727-796-1300
FAX 1-727-797-8849



STYLE MW38 SNAP-IN WIPERS

| Part Number | A Nom. ID | B Nom. OD | C Nom. Ht | C ₁ OVERALL HEIGHT | D GROOVE WIDTH | E ROD DIAMETER | F THROAT DIAMETER | G HOUSING DIAMETER | List Price |
|--------------------|--------------|--------------|--------------|----------------------------------|----------------------|-------------------------|-----------------------|-----------------------|------------|
| MW38-60X70X5.3 | 60 | 70 | 5.3 | 7.00 | 5.30 +0.20 +0.00 | 60.00 -0.030 -0.104 | 66.00 +0.19 +0.00 | 70.00 +0.19 +0.00 | 15.06 |
| MW38-60X70X6.3 | 60 | 70 | 6.3 | 10.00 | 6.30 +0.20 +0.00 | 60.00 -0.030 -0.104 | 67.00 +0.19 +0.00 | 70.00 +0.19 +0.00 | 15.39 |
| MW38-63X73X6.3 | 63 | 73 | 6.3 | 10.00 | 6.30 +0.20 +0.00 | 63.00 -0.030 -0.104 | 70.00 +0.19 +0.00 | 73.00 +0.19 +0.00 | 13.33 |
| MW38-63X73.6X5.3 | 63 | 73.6 | 5.3 | 7.00 | 5.30 +0.20 +0.00 | 63.00 -0.030 -0.104 | 66.00 +0.19 +0.00 | 73.60 +0.19 +0.00 | 15.61 |
| MW38-65X75X6.3 | 65 | 75 | 6.3 | 10.00 | 6.30 +0.20 +0.00 | 65.00 -0.030 -0.104 | 72.00 +0.19 +0.00 | 75.00 +0.19 +0.00 | 16.72 |
| MW38-70X80X6.3 | 70 | 80 | 6.3 | 10.00 | 6.30 +0.20 +0.00 | 70.00 -0.030 -0.104 | 77.00 +0.19 +0.00 | 80.00 +0.19 +0.00 | 18.00 |
| MW38-70X80.6X5.3 | 70 | 80.6 | 5.3 | 7.00 | 5.30 +0.20 +0.00 | 70.00 -0.030 -0.104 | 73.00 +0.19 +0.00 | 80.60 +0.22 +0.00 | 18.00 |
| MW38-70X82.2X7.2 | 70 | 82.2 | 7.2 | 12.00 | 7.20 +0.20 +0.00 | 70.00 -0.030 -0.104 | 76.00 +0.19 +0.00 | 82.20 +0.22 +0.00 | 18.56 |
| MW38-75X83.6X5.3 | 75 | 83.6 | 5.3 | 7.00 | 5.30 +0.20 +0.00 | 75.00 -0.030 -0.104 | 78.00 +0.19 +0.00 | 83.60 +0.22 +0.00 | 19.39 |
| MW38-75X85X6.3 | 75 | 85 | 6.3 | 10.00 | 6.30 +0.20 +0.00 | 75.00 -0.030 -0.104 | 82.00 +0.22 +0.00 | 85.00 +0.22 +0.00 | 21.94 |
| MW38-80X90X6.3 | 80 | 90 | 6.3 | 10.00 | 6.30 +0.20 +0.00 | 80.00 -0.030 -0.104 | 87.00 +0.22 +0.00 | 90.00 +0.22 +0.00 | 20.11 |
| MW38-80X92.2X7.2 | 80 | 92.2 | 7.2 | 12.00 | 7.20 +0.20 +0.00 | 80.00 -0.030 -0.104 | 86.00 +0.22 +0.00 | 92.20 +0.22 +0.00 | 20.44 |
| MW38-90X100X6.3 | 90 | 100 | 6.3 | 10.00 | 6.30 +0.20 +0.00 | 90.00 -0.036 -0.123 | 97.00 +0.22 +0.00 | 100.00 +0.22 +0.00 | 14.89 |
| MW38-90X102.2X7.2 | 90 | 102.2 | 7.2 | 12.00 | 7.20 +0.20 +0.00 | 90.00 -0.036 -0.123 | 96.00 +0.22 +0.00 | 102.20 +0.22 +0.00 | 20.89 |
| MW38-95X107.2X7.2 | 95 | 107.2 | 7.2 | 12.00 | 7.20 +0.20 +0.00 | 95.00 -0.036 -0.123 | 101.00 +0.22 +0.00 | 107.20 +0.22 +0.00 | 22.28 |
| MW38-100X110.6X5.3 | 100 | 110.6 | 5.3 | 7.00 | 5.30 +0.20 +0.00 | 100.00 -0.036 -0.123 | 104.00 +0.22 +0.00 | 110.60 +0.22 +0.00 | 22.83 |
| MW38-100X112.2X7.2 | 100 | 112.2 | 7.2 | 12.00 | 7.20 +0.20 +0.00 | 100.00 -0.036 -0.123 | 106.00 +0.22 +0.00 | 112.20 +0.22 +0.00 | 23.61 |
| MW38-100X115X9.5 | 100 | 115 | 9.5 | 14.00 | 9.50 +0.20 +0.00 | 100.00 -0.036 -0.123 | 110.00 +0.22 +0.00 | 115.00 +0.22 +0.00 | 24.78 |
| MW38-110X122.2X7.2 | 110 | 122.2 | 7.2 | 12.00 | 7.20 +0.20 +0.00 | 110.00 -0.036 -0.123 | 116.00 +0.22 +0.00 | 122.20 +0.25 +0.00 | 31.83 |
| MW38-110X125X9.5 | 110 | 125 | 9.5 | 14.00 | 9.50 +0.20 +0.00 | 110.00 -0.036 -0.123 | 120.00 +0.22 +0.00 | 125.00 +0.25 +0.00 | 31.83 |
| MW38-115X127.2X7.2 | 115 | 127.2 | 7.2 | 12.00 | 7.20 +0.20 +0.00 | 115.00 -0.036 -0.123 | 121.00 +0.25 +0.00 | 127.20 +0.25 +0.00 | 33.17 |
| MW38-120X132.2X7.2 | 120 | 132.2 | 7.2 | 12.00 | 7.20 +0.20 +0.00 | 120.00 -0.036 -0.123 | 126.00 +0.25 +0.00 | 132.20 +0.25 +0.00 | 33.61 |
| MW38-120X135X9.5 | 120 | 135 | 9.5 | 14.00 | 9.50 +0.20 +0.00 | 120.00 -0.036 -0.123 | 130.00 +0.25 +0.00 | 135.00 +0.25 +0.00 | 37.22 |
| MW38-125X137.2X7.7 | 125 | 137.2 | 7.7 | 12.00 | 7.70 +0.20 +0.00 | 125.00 -0.043 -0.143 | 131.00 +0.25 +0.00 | 137.20 +0.25 +0.00 | 34.72 |
| MW38-125X140X9.5 | 125 | 140 | 9.5 | 14.00 | 9.50 +0.20 +0.00 | 125.00 -0.043 -0.143 | 135.00 +0.25 +0.00 | 140.00 +0.25 +0.00 | 34.72 |
| MW38-130X142.2X7.2 | 130 | 142.2 | 7.2 | 12.00 | 7.20 +0.20 +0.00 | 130.00 -0.043 -0.143 | 136.00 +0.25 +0.00 | 142.20 +0.25 +0.00 | 36.72 |
| MW38-140X152.2X7.7 | 140 | 152.2 | 7.7 | 12.00 | 7.70 +0.20 +0.00 | 140.00 -0.043 -0.143 | 146.00 +0.25 +0.00 | 152.20 +0.25 +0.00 | 40.44 |
| MW38-140X155X9.5 | 140 | 155 | 9.5 | 14.00 | 9.50 +0.20 +0.00 | 140.00 -0.043 -0.143 | 150.00 +0.25 +0.00 | 155.00 +0.25 +0.00 | 41.61 |
| MW38-150X162.2X7.7 | 150 | 162.2 | 7.7 | 12.00 | 7.70 +0.20 +0.00 | 150.00 -0.043 -0.143 | 156.00 +0.25 +0.00 | 162.20 +0.25 +0.00 | 47.33 |
| MW38-160X175X9.5 | 160 | 175 | 9.5 | 14.00 | 9.50 +0.20 +0.00 | 160.00 -0.043 -0.143 | 170.00 +0.25 +0.00 | 175.00 +0.25 +0.00 | 49.00 |
| MW38-170X182.2X7.7 | 170 | 182.2 | 7.7 | 12.00 | 7.70 +0.20 +0.00 | 170.00 -0.043 -0.143 | 176.00 +0.25 +0.00 | 182.20 +0.29 +0.00 | 50.78 |
| MW38-180X195X9.5 | 180 | 195 | 9.5 | 14.00 | 9.50 +0.20 +0.00 | 180.00 -0.043 -0.143 | 190.00 +0.29 +0.00 | 195.00 +0.29 +0.00 | 51.28 |
| MW38-180X200X10.2 | 180 | 200 | 10.2 | 18.00 | 10.20 +0.20 +0.00 | 180.00 -0.043 -0.143 | 190.00 +0.29 +0.00 | 200.00 +0.29 +0.00 | 51.44 |

WIPER RINGS



STYLE MW38 SNAP-IN WIPERS

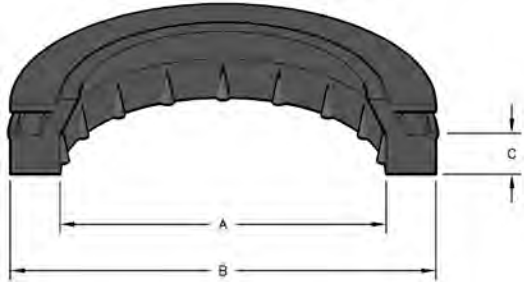
| Part Number | A Nom. ID | B Nom. OD | C Nom. Ht | C ₁ OVERALL HEIGHT | D GROOVE WIDTH | E ROD DIAMETER | F THROAT DIAMETER | G HOUSING DIAMETER | List Price |
|-------------------|--------------|--------------|--------------|----------------------------------|---|--|--|--|---------------|
| MW38-200X215X9.5 | 200 | 215 | 9.5 | 14.00 | 9.50 ^{+0.20} / _{+0.00} | 200.00 ^{-0.050} / _{-0.165} | 210.00 ^{+0.29} / _{+0.00} | 215.00 ^{+0.29} / _{+0.00} | 55.94 |
| MW38-200X220X10.2 | 200 | 220 | 10.2 | 18.00 | 10.20 ^{+0.20} / _{+0.00} | 200.00 ^{-0.050} / _{-0.165} | 210.00 ^{+0.29} / _{+0.00} | 220.00 ^{+0.29} / _{+0.00} | 56.61 |
| MW38-210X230X10.2 | 210 | 230 | 10.2 | 18.00 | 10.20 ^{+0.20} / _{+0.00} | 210.00 ^{-0.050} / _{-0.165} | 220.00 ^{+0.29} / _{+0.00} | 230.00 ^{+0.29} / _{+0.00} | 60.17 |
| MW38-220X240X12.5 | 220 | 240 | 12.5 | 18.00 | 12.50 ^{+0.20} / _{+0.00} | 220.00 ^{-0.050} / _{-0.165} | 233.50 ^{+0.29} / _{+0.00} | 240.00 ^{+0.29} / _{+0.00} | 75.78 |
| MW38-240X260X10.2 | 240 | 260 | 10.2 | 18.00 | 10.20 ^{+0.20} / _{+0.00} | 240.00 ^{-0.050} / _{-0.165} | 250.00 ^{+0.29} / _{+0.00} | 260.00 ^{+0.32} / _{+0.00} | 87.44 |
| MW38-250X270X10.2 | 250 | 270 | 10.2 | 18.00 | 10.20 ^{+0.20} / _{+0.00} | 250.00 ^{-0.050} / _{-0.165} | 260.00 ^{+0.32} / _{+0.00} | 270.00 ^{+0.32} / _{+0.00} | 85.06 |
| MW38-260X275X9.5 | 260 | 275 | 9.5 | 14.00 | 9.50 ^{+0.20} / _{+0.00} | 260.00 ^{-0.056} / _{-0.186} | 270.00 ^{+0.32} / _{+0.00} | 275.00 ^{+0.32} / _{+0.00} | 88.83 |
| MW38-260X280X10.2 | 260 | 280 | 10.2 | 18.00 | 10.20 ^{+0.20} / _{+0.00} | 260.00 ^{-0.056} / _{-0.186} | 270.50 ^{+0.32} / _{+0.00} | 280.00 ^{+0.32} / _{+0.00} | 98.11 |
| MW38-350X370X10.2 | 350 | 370 | 10.2 | 18.00 | 10.20 ^{+0.20} / _{+0.00} | 350.00 ^{-0.062} / _{-0.202} | 360.00 ^{+0.36} / _{+0.00} | 370.00 ^{+0.36} / _{+0.00} | 164.22 |

WIPER RINGS

NEW FOR 2016

STYLE MSWE-XLF WIPERS

The MSWE-XLF was developed for harsh environments, particularly longwall mining. These wipers include a dust lip to prevent contaminants from entering through the groove. They also have a ribbed inside diameter for low friction option and to prevent pressure traps between the wiper and rod seal.

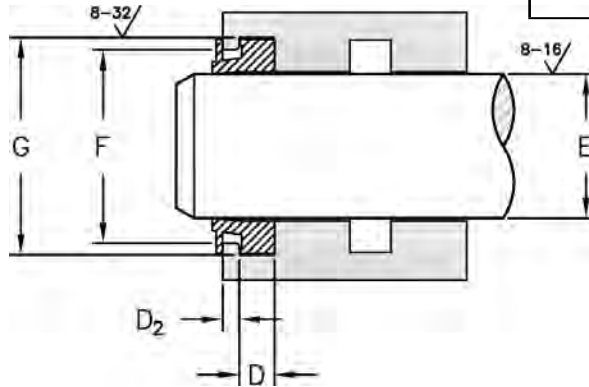


HERCULES PART NUMBERS

MSWE - 35 X 45 X 5.8-XLF

Type of Seal: MSWE, Inside Diameter: 35, Outside Diameter: 45, Height: 5.8-XLF

| SEAL INFORMATION | |
|-------------------|--|
| MATERIAL | 93A URETHANE, 55D URETHANE (D SUFFIX) |
| TEMPERATURE RANGE | -50°F - +230°F 93A URETHANE -40°F - +212°F 55D URETHANE |
| MAXIMUM PRESSURE | - |
| SPEED | 12 FT/SEC |



| Part Number | A Nom. ID | B Nom. OD | C Nom. Ht | D GROOVE WIDTH | E ROD DIAMETER | F THROAT DIAMETER | G HOUSING DIAMETER | D ₂ OUTER THROAT DEPTH | List Price |
|------------------------|--------------|--------------|--------------|----------------------|----------------------|-------------------------|--------------------------|--------------------------------------|------------|
| MSWE-35X45X5.8-XLF | 35 | 45 | 5.8 | 6.30 +0.20/-0.00 | 35.00 -0.025/-0.087 | 42.00 +0.16/+0.00 | 45.00 +0.16/+0.00 | 1.50 +0.10/+0.00 | \$25.44 |
| MSWE-40X48X4.5-XLF | 40 | 48 | 4.5 | 5.00 +0.20/+0.00 | 40.00 -0.025/-0.087 | 45.50 +0.16/+0.00 | 48.00 +0.16/+0.00 | 1.50 +0.10/+0.00 | 23.58 |
| MSWE-45X53X4.5-XLF | 45 | 53 | 4.5 | 5.00 +0.20/+0.00 | 45.00 -0.025/-0.087 | 50.50 +0.19/+0.00 | 53.00 +0.19/+0.00 | 1.50 +0.10/+0.00 | 20.44 |
| MSWE-50X58X4.5-XLF | 50 | 58 | 4.5 | 5.00 +0.20/+0.00 | 50.00 -0.025/-0.087 | 55.50 +0.19/+0.00 | 58.00 +0.19/+0.00 | 1.50 +0.10/+0.00 | 20.93 |
| MSWE-60X70X5.8-XLF | 60 | 70 | 5.8 | 6.30 +0.20/+0.00 | 60.00 -0.030/-0.104 | 67.00 +0.19/+0.00 | 70.00 +0.19/+0.00 | 1.50 +0.10/+0.00 | 30.89 |
| MSWE-70X82.6X7.5-XLF | 70 | 82.6 | 7.5 | 8.00 +0.20/+0.00 | 70.00 -0.030/-0.104 | 78.40 +0.19/+0.00 | 82.60 +0.22/+0.00 | 2.00 +0.10/+0.00 | 38.00 |
| MSWE-105X117.6X7.5-XLF | 105 | 117.6 | 7.5 | 8.00 +0.20/+0.00 | 105.00 -0.036/-0.123 | 112.40 +0.22/+0.00 | 117.60 +0.22/+0.00 | 2.00 +0.10/+0.00 | 59.17 |
| MSWE-105X120X9-XLF | 105 | 120 | 9 | 9.50 +0.20/+0.00 | 105.00 -0.036/-0.123 | 115.00 +0.22/+0.00 | 120.00 +0.22/+0.00 | 2.50 +0.10/+0.00 | 44.33 |
| MSWE-110X122.6X7.5-XLF | 110 | 122.6 | 7.5 | 8.00 +0.20/+0.00 | 110.00 -0.036/-0.123 | 118.40 +0.22/+0.00 | 122.60 +0.25/+0.00 | 2.00 +0.10/+0.00 | 56.28 |
| MSWE-110X128X6.5-XLFD | 110 | 128 | 6.5 | 7.00 +0.20/+0.00 | 110.00 -0.036/-0.123 | 118.40 +0.22/+0.00 | 128.00 +0.25/+0.00 | 2.00 +0.10/+0.00 | 68.56 |
| MSWE-120X135X9-XLF | 120 | 135 | 9 | 9.50 +0.20/+0.00 | 120.00 -0.036/-0.123 | 130.00 +0.25/+0.00 | 135.00 +0.25/+0.00 | 2.00 +0.10/+0.00 | 74.28 |
| MSWE-130X145X9-XLF | 130 | 145 | 9 | 9.50 +0.20/+0.00 | 130.00 -0.043/-0.143 | 140.00 +0.25/+0.00 | 145.00 +0.25/+0.00 | 2.25 +0.10/+0.00 | 55.67 |
| MSWE-170X184.4X7.3-XLF | 170 | 184.4 | 7.3 | 7.80 +0.20/+0.00 | 170.00 -0.043/-0.143 | 177.85 +0.25/+0.00 | 184.40 +0.29/+0.00 | 2.90 +0.10/+0.00 | 198.22 |
| MSWE-190X205X9-XLF | 190 | 205 | 9 | 9.50 +0.20/+0.00 | 190.00 -0.050/-0.165 | 200.00 +0.29/+0.00 | 205.00 +0.29/+0.00 | 2.00 +0.10/+0.00 | 201.44 |

WIPER RINGS

FORMERLY LISTED SEALS ARE AVAILABLE ONLINE AT WWW.HERCULESUS.COM
OR BY CONTACTING YOUR REGIONAL HERCULES SALES TEAM.



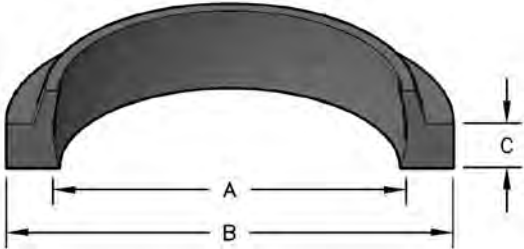
STYLE MSWE-XLF WIPERS

| Part Number | A Nom. ID | B Nom. OD | C Nom. Ht | D GROOVE WIDTH | E ROD DIAMETER | F THROAT DIAMETER | G HOUSING DIAMETER | D ₂ OUTER THROAT DEPTH | List Price |
|---------------------|--------------|--------------|--------------|---|--|--|--|--|---------------|
| MSWE-210X230X12-XLF | 210 | 230 | 12 | 12.50 ^{+0.20} / _{+0.00} | 210.00 ^{-0.050} / _{-0.165} | 223.50 ^{+0.29} / _{+0.00} | 230.00 ^{+0.29} / _{+0.00} | 2.50 ^{+0.10} / _{+0.00} | 207.72 |
| MSWE-230X255X9-XLFD | 230 | 255 | 9 | 9.50 ^{+0.20} / _{+0.00} | 230.00 ^{-0.050} / _{-0.165} | 242.00 ^{+0.29} / _{+0.00} | 255.00 ^{+0.32} / _{+0.00} | 2.50 ^{+0.10} / _{+0.00} | 214.00 |
| MSWE-265X290X9-XLFD | 265 | 290 | 9 | 9.50 ^{+0.20} / _{+0.00} | 265.00 ^{-0.056} / _{-0.186} | 277.00 ^{+0.32} / _{+0.00} | 290.00 ^{+0.32} / _{+0.00} | 2.50 ^{+0.10} / _{+0.00} | 221.56 |
| MSWE-300X320X12-XLF | 300 | 320 | 12 | 12.50 ^{+0.20} / _{+0.00} | 300.00 ^{-0.056} / _{-0.186} | 313.50 ^{+0.32} / _{+0.00} | 320.00 ^{+0.36} / _{+0.00} | 2.50 ^{+0.10} / _{+0.00} | 226.61 |
| MSWE-350X370X12-XLF | 350 | 370 | 12 | 12.50 ^{+0.20} / _{+0.00} | 350.00 ^{-0.062} / _{-0.202} | 362.00 ^{+0.36} / _{+0.00} | 370.00 ^{+0.36} / _{+0.00} | 2.50 ^{+0.10} / _{+0.00} | 242.94 |
| MSWE-350X375X9-XLFD | 350 | 375 | 9 | 9.50 ^{+0.20} / _{+0.00} | 350.00 ^{-0.062} / _{-0.202} | 362.00 ^{+0.36} / _{+0.00} | 375.00 ^{+0.36} / _{+0.00} | 2.50 ^{+0.10} / _{+0.00} | 244.22 |
| MSWE-380X405X9-XLFD | 380 | 405 | 9 | 9.50 ^{+0.20} / _{+0.00} | 380.00 ^{-0.062} / _{-0.202} | 392.00 ^{+0.36} / _{+0.00} | 405.00 ^{+0.40} / _{+0.00} | 2.50 ^{+0.10} / _{+0.00} | 248.00 |

WIPER RINGS

STYLE MSWE SNAP-IN WIPERS

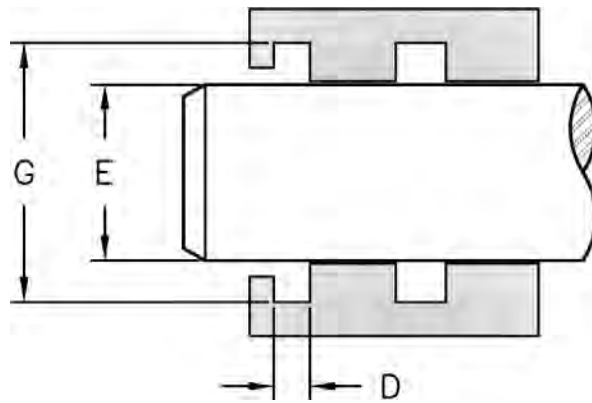
Molded in urethane, this wiper is flexible enough to easily snap into a groove yet tough enough to handle difficult rod wiping applications.



HERCULES PART NUMBERS

MSWE - 14 X 20 X 3.8
 Type of Seal Inside Diameter Outside Diameter Height

| SEAL INFORMATION | |
|-------------------|-----------------|
| MATERIAL | URETHANE |
| TEMPERATURE RANGE | -30° TO +200° F |
| SPEED | 3 FT/SEC |



WIPER RINGS

| Part Number | A Nom. ID | B Nom. OD | C Nom. Ht | D GROOVE WIDTH | E ROD DIAMETER | G HOUSING DIAMETER | List Price |
|----------------|--------------|--------------|--------------|----------------------|------------------------|--------------------------|------------|
| MSWE-14X20X3.8 | 14 | 20 | 3.8 | 4.00 +0.20 +0.00 | 14.00 -0.016 -0.043 | 20.00 +0.084 +0.000 | \$2.55 |
| MSWE-16X22X3 | 16 | 22 | 3 | 3.10 +0.20 +0.00 | 16.00 -0.016 -0.043 | 22.00 +0.084 +0.000 | 2.68 |
| MSWE-18X24X3.5 | 18 | 24.6 | 3.5 | 3.60 +0.20 +0.00 | 18.00 -0.016 -0.043 | 24.60 +0.084 +0.000 | 2.12 |
| MSWE-20X26X3 | 20 | 26 | 3 | 3.10 +0.20 +0.00 | 20.00 -0.020 -0.053 | 26.00 +0.084 +0.000 | 2.24 |
| MSWE-20X28X5 | 20 | 28 | 5 | 5.10 +0.20 +0.00 | 20.00 -0.020 -0.053 | 28.00 +0.084 +0.000 | 1.97 |
| MSWE-22X30X5 | 22 | 30 | 5 | 5.10 +0.20 +0.00 | 22.00 -0.020 -0.053 | 30.00 +0.084 +0.000 | 2.55 |
| MSWE-25X33X5 | 25 | 33 | 5 | 5.10 +0.20 +0.00 | 25.00 -0.020 -0.053 | 33.00 +0.10 +0.00 | 2.93 |
| MSWE-28X36X5 | 28 | 36 | 5 | 5.30 +0.20 +0.00 | 28.00 -0.020 -0.053 | 36.00 +0.10 +0.00 | 3.17 |
| MSWE-30X38X5 | 30 | 38 | 5 | 5.10 +0.20 +0.00 | 30.00 -0.020 -0.053 | 38.00 +0.10 +0.00 | 4.85 |
| MSWE-32X40X5 | 32 | 40 | 5 | 5.10 +0.20 +0.00 | 32.00 -0.025 -0.064 | 40.00 +0.10 +0.00 | 4.41 |
| MSWE-35X43X5 | 35 | 43 | 5 | 5.10 +0.20 +0.00 | 35.00 -0.025 -0.064 | 43.00 +0.10 +0.00 | 7.15 |
| MSWE-36X44X5 | 36 | 44 | 5 | 5.10 +0.20 +0.00 | 36.00 -0.025 -0.064 | 44.00 +0.10 +0.00 | 6.32 |
| MSWE-40X48X5 | 40 | 48 | 5 | 5.10 +0.20 +0.00 | 40.00 -0.025 -0.064 | 48.00 +0.10 +0.00 | 7.15 |
| MSWE-40X50X5 | 40 | 50 | 5 | 5.10 +0.20 +0.00 | 40.00 -0.025 -0.064 | 50.00 +0.10 +0.00 | 7.41 |
| MSWE-40X50X7 | 40 | 50 | 7 | 7.10 +0.20 +0.00 | 40.00 -0.025 -0.064 | 50.00 +0.10 +0.00 | 8.73 |
| MSWE-42X50X4 | 42 | 50 | 4 | 4.10 +0.20 +0.00 | 42.00 -0.025 -0.064 | 50.00 +0.10 +0.00 | 23.30 |

FORMERLY LISTED SEALS ARE AVAILABLE ONLINE AT WWW.HERCULESUS.COM
 OR BY CONTACTING YOUR REGIONAL HERCULES SALES TEAM.



STYLE MSWE SNAP-IN WIPERS

WIPER RINGS

| Part Number | A Nom. ID | B Nom. OD | C Nom. Ht | D GROOVE WIDTH | E ROD DIAMETER | G HOUSING DIAMETER | List Price |
|------------------|--------------|--------------|--------------|--|--|--|---------------|
| MSWE-42X50X5 | 42 | 50 | 5 | 5.10 ^{+0.20} / _{+0.00} | 42.00 ^{-0.025} / _{-0.064} | 50.00 ^{+0.10} / _{+0.00} | 6.43 |
| MSWE-45X53X5 | 45 | 53 | 5 | 5.10 ^{+0.20} / _{+0.00} | 45.00 ^{-0.025} / _{-0.064} | 53.00 ^{+0.12} / _{+0.00} | 6.26 |
| MSWE-45X55X5 | 45 | 55 | 5 | 5.10 ^{+0.20} / _{+0.00} | 45.00 ^{-0.025} / _{-0.064} | 55.00 ^{+0.12} / _{+0.00} | 6.40 |
| MSWE-50X58X5 | 50 | 58 | 5 | 5.10 ^{+0.20} / _{+0.00} | 50.00 ^{-0.025} / _{-0.064} | 58.00 ^{+0.12} / _{+0.00} | 7.45 |
| MSWE-50X60X5 | 50 | 60 | 5 | 5.10 ^{+0.20} / _{+0.00} | 50.00 ^{-0.025} / _{-0.064} | 60.00 ^{+0.12} / _{+0.00} | 7.92 |
| MSWE-50X60X7 | 50 | 60 | 7 | 7.10 ^{+0.20} / _{+0.00} | 50.00 ^{-0.025} / _{-0.064} | 60.00 ^{+0.12} / _{+0.00} | 10.28 |
| MSWE-55X63X5 | 55 | 63 | 5 | 5.10 ^{+0.20} / _{+0.00} | 55.00 ^{-0.030} / _{-0.076} | 63.00 ^{+0.12} / _{+0.00} | 10.17 |
| MSWE-55X65X6 | 55 | 65 | 6 | 6.10 ^{+0.20} / _{+0.00} | 55.00 ^{-0.030} / _{-0.076} | 65.00 ^{+0.12} / _{+0.00} | 10.19 |
| MSWE-56X64X5 | 56 | 64 | 5 | 5.10 ^{+0.20} / _{+0.00} | 56.00 ^{-0.030} / _{-0.076} | 64.00 ^{+0.12} / _{+0.00} | 7.92 |
| MSWE-60X68X5 | 60 | 68 | 5 | 5.10 ^{+0.20} / _{+0.00} | 60.00 ^{-0.030} / _{-0.076} | 68.00 ^{+0.12} / _{+0.00} | 7.94 |
| MSWE-60X70X7 | 60 | 70 | 7 | 7.10 ^{+0.20} / _{+0.00} | 60.00 ^{-0.030} / _{-0.076} | 70.00 ^{+0.12} / _{+0.00} | 12.09 |
| MSWE-63X71X5 | 63 | 71 | 5 | 5.10 ^{+0.20} / _{+0.00} | 63.00 ^{-0.030} / _{-0.076} | 71.00 ^{+0.12} / _{+0.00} | 8.76 |
| MSWE-63X73X6.3 | 63 | 73 | 6.3 | 6.40 ^{+0.20} / _{+0.00} | 63.00 ^{-0.030} / _{-0.076} | 73.00 ^{+0.12} / _{+0.00} | 14.86 |
| MSWE-65X73X5 | 65 | 73 | 5 | 5.10 ^{+0.20} / _{+0.00} | 65.00 ^{-0.030} / _{-0.076} | 73.00 ^{+0.12} / _{+0.00} | 9.01 |
| MSWE-65X75X7 | 65 | 75 | 7 | 7.10 ^{+0.20} / _{+0.00} | 65.00 ^{-0.030} / _{-0.076} | 75.00 ^{+0.12} / _{+0.00} | 13.78 |
| MSWE-70X82X7 | 70 | 82 | 7 | 7.10 ^{+0.20} / _{+0.00} | 70.00 ^{-0.030} / _{-0.076} | 82.00 ^{+0.14} / _{+0.00} | 6.00 |
| MSWE-75X83X5 | 75 | 83 | 5 | 5.10 ^{+0.20} / _{+0.00} | 75.00 ^{-0.030} / _{-0.076} | 83.00 ^{+0.14} / _{+0.00} | 9.64 |
| MSWE-78X88X5 | 78 | 88 | 5 | 5.10 ^{+0.20} / _{+0.00} | 78.00 ^{-0.030} / _{-0.076} | 88.00 ^{+0.14} / _{+0.00} | 11.57 |
| MSWE-80X88X5 | 80 | 88 | 5 | 5.10 ^{+0.20} / _{+0.00} | 80.00 ^{-0.030} / _{-0.076} | 88.00 ^{+0.14} / _{+0.00} | 9.98 |
| MSWE-80X90X6 | 80 | 90 | 6 | 6.20 ^{+0.20} / _{+0.00} | 80.00 ^{-0.030} / _{-0.076} | 90.00 ^{+0.14} / _{+0.00} | 6.20 |
| MSWE-80X92X7 | 80 | 92 | 7 | 7.10 ^{+0.20} / _{+0.00} | 80.00 ^{-0.030} / _{-0.076} | 92.00 ^{+0.14} / _{+0.00} | 10.15 |
| MSWE-85X93X5 | 85 | 93 | 5 | 5.10 ^{+0.20} / _{+0.00} | 85.00 ^{-0.036} / _{-0.090} | 93.00 ^{+0.14} / _{+0.00} | 10.34 |
| MSWE-85X97X7 | 85 | 97 | 7 | 7.20 ^{+0.20} / _{+0.00} | 85.00 ^{-0.036} / _{-0.090} | 97.20 ^{+0.14} / _{+0.00} | 3.32 |
| MSWE-90X98X5 | 90 | 98 | 5 | 5.10 ^{+0.20} / _{+0.00} | 90.00 ^{-0.036} / _{-0.090} | 98.00 ^{+0.14} / _{+0.00} | 10.53 |
| MSWE-90X100X6.3 | 90 | 100 | 6.3 | 6.40 ^{+0.20} / _{+0.00} | 90.00 ^{-0.036} / _{-0.090} | 100.00 ^{+0.14} / _{+0.00} | 12.00 |
| MSWE-90X102X7 | 90 | 102 | 7 | 7.10 ^{+0.20} / _{+0.00} | 90.00 ^{-0.036} / _{-0.090} | 102.00 ^{+0.14} / _{+0.00} | 6.94 |
| MSWE-95X107X7 | 95 | 107 | 7 | 7.10 ^{+0.20} / _{+0.00} | 95.00 ^{-0.036} / _{-0.090} | 107.00 ^{+0.14} / _{+0.00} | 11.92 |
| MSWE-99X109X5 | 99 | 109 | 5 | 5.10 ^{+0.20} / _{+0.00} | 99.00 ^{-0.036} / _{-0.090} | 109.00 ^{+0.14} / _{+0.00} | 13.02 |
| MSWE-100X115X9.5 | 100 | 115 | 9.5 | 9.50 ^{+0.20} / _{+0.00} | 100.00 ^{-0.036} / _{-0.090} | 115.00 ^{+0.14} / _{+0.00} | 20.99 |
| MSWE-105X113X5 | 105 | 113.6 | 5 | 5.30 ^{+0.20} / _{+0.00} | 105.00 ^{-0.036} / _{-0.090} | 113.60 ^{+0.14} / _{+0.00} | 20.11 |
| MSWE-105X117.2X7 | 105 | 117.2 | 7 | 7.10 ^{+0.20} / _{+0.00} | 105.00 ^{-0.036} / _{-0.090} | 117.20 ^{+0.14} / _{+0.00} | 10.92 |
| MSWE-110X122X7 | 110 | 122 | 7 | 7.10 ^{+0.20} / _{+0.00} | 110.00 ^{-0.036} / _{-0.090} | 122.00 ^{+0.16} / _{+0.00} | 11.94 |
| MSWE-115X127X7 | 115 | 127 | 7 | 7.10 ^{+0.20} / _{+0.00} | 115.00 ^{-0.036} / _{-0.090} | 127.00 ^{+0.16} / _{+0.00} | 11.94 |



STYLE MSWE SNAP-IN WIPERS

| Part Number | A Nom. ID | B Nom. OD | C Nom. Ht | D GROOVE WIDTH | E ROD DIAMETER | G HOUSING DIAMETER | List Price |
|-----------------|--------------|--------------|--------------|---|--|--|---------------|
| MSWE-118X128X6 | 118 | 128 | 6 | 7.00 ^{+0.30} / _{+0.00} | 118.00 ^{-0.036} / _{-0.090} | 128.00 ^{+0.16} / _{+0.00} | 26.32 |
| MSWE-120X128X5 | 120 | 128 | 5 | 5.10 ^{+0.20} / _{+0.00} | 120.00 ^{-0.036} / _{-0.090} | 128.00 ^{+0.16} / _{+0.00} | 13.92 |
| MSWE-120X130X5 | 120 | 130 | 5 | 5.10 ^{+0.20} / _{+0.00} | 120.00 ^{-0.036} / _{-0.090} | 130.00 ^{+0.16} / _{+0.00} | 15.44 |
| MSWE-120X132X7 | 120 | 132 | 7 | 7.10 ^{+0.20} / _{+0.00} | 120.00 ^{-0.036} / _{-0.090} | 132.00 ^{+0.16} / _{+0.00} | 11.94 |
| MSWE-125X137X7 | 125 | 137 | 7 | 7.10 ^{+0.20} / _{+0.00} | 125.00 ^{-0.043} / _{-0.106} | 137.00 ^{+0.16} / _{+0.00} | 13.53 |
| MSWE-130X142X7 | 130 | 142 | 7 | 7.10 ^{+0.20} / _{+0.00} | 130.00 ^{-0.043} / _{-0.106} | 142.00 ^{+0.16} / _{+0.00} | 13.53 |
| MSWE-140X148X5 | 140 | 148 | 5 | 5.10 ^{+0.20} / _{+0.00} | 140.00 ^{-0.043} / _{-0.106} | 148.00 ^{+0.16} / _{+0.00} | 26.16 |
| MSWE-140X152X7 | 140 | 152 | 7 | 7.10 ^{+0.20} / _{+0.00} | 140.00 ^{-0.043} / _{-0.106} | 152.00 ^{+0.16} / _{+0.00} | 13.07 |
| MSWE-140X155X10 | 140 | 155 | 10 | 10.20 ^{+0.20} / _{+0.00} | 140.00 ^{-0.043} / _{-0.106} | 155.00 ^{+0.16} / _{+0.00} | 50.10 |
| MSWE-141X151X5 | 141 | 151 | 5 | 5.10 ^{+0.20} / _{+0.00} | 141.00 ^{-0.043} / _{-0.106} | 151.00 ^{+0.16} / _{+0.00} | 16.07 |
| MSWE-150X162X7 | 150 | 162 | 7 | 7.10 ^{+0.20} / _{+0.00} | 150.00 ^{-0.043} / _{-0.106} | 162.00 ^{+0.16} / _{+0.00} | 16.37 |
| MSWE-155X168X7 | 155 | 168 | 7 | 8.00 ^{+0.30} / _{+0.00} | 155.00 ^{-0.043} / _{-0.106} | 168.00 ^{+0.16} / _{+0.00} | 114.86 |
| MSWE-160X168X5 | 160 | 168 | 5 | 5.10 ^{+0.20} / _{+0.00} | 160.00 ^{-0.043} / _{-0.106} | 168.00 ^{+0.16} / _{+0.00} | 17.06 |
| MSWE-160X175X10 | 160 | 175 | 10 | 10.10 ^{+0.20} / _{+0.00} | 160.00 ^{-0.043} / _{-0.106} | 175.00 ^{+0.16} / _{+0.00} | 13.53 |
| MSWE-160X179X9 | 160 | 179 | 9 | 9.10 ^{+0.20} / _{+0.00} | 160.00 ^{-0.043} / _{-0.106} | 179.00 ^{+0.16} / _{+0.00} | 97.91 |
| MSWE-162X172X5 | 162 | 172 | 5 | 5.10 ^{+0.20} / _{+0.00} | 162.00 ^{-0.043} / _{-0.106} | 172.00 ^{+0.16} / _{+0.00} | 21.88 |
| MSWE-183X193X5 | 183 | 193 | 5 | 5.10 ^{+0.20} / _{+0.00} | 183.00 ^{-0.050} / _{-0.122} | 193.00 ^{+0.185} / _{+0.000} | 31.33 |
| MSWE-195X210X9 | 195 | 210 | 9 | 9.10 ^{+0.20} / _{+0.00} | 195.00 ^{-0.050} / _{-0.122} | 210.00 ^{+0.185} / _{+0.000} | 19.49 |
| MSWE-200X220X10 | 200 | 220 | 10 | 10.10 ^{+0.20} / _{+0.00} | 200.00 ^{-0.050} / _{-0.122} | 220.00 ^{+0.185} / _{+0.000} | 65.90 |
| MSWE-207X217X5 | 207 | 217 | 5 | 5.10 ^{+0.20} / _{+0.00} | 207.00 ^{-0.050} / _{-0.122} | 217.00 ^{+0.185} / _{+0.000} | 34.56 |
| MSWE-220X235X10 | 220 | 235 | 10 | 10.10 ^{+0.20} / _{+0.00} | 220.00 ^{-0.050} / _{-0.122} | 235.00 ^{+0.185} / _{+0.000} | 20.33 |

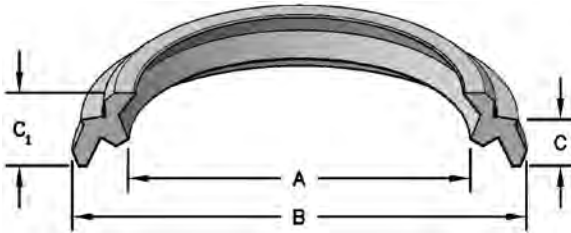
WIPER RINGS

Seal color may vary. Special order sizes are available. Please call your regional sales team for assistance.

FORMERLY LISTED SEALS ARE AVAILABLE ONLINE AT WWW.HERCULESUS.COM
OR BY CONTACTING YOUR REGIONAL HERCULES SALES TEAM.

STYLE MSWH24 SNAP-IN WIPERS

Style MSWH24 wipers are molded in Zurcon® Z201 urethane. This double-acting wiper is designed for severe operating conditions.



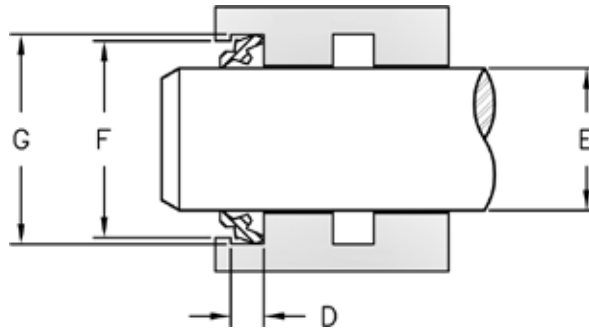
HERCULES PART NUMBERS

MSWH24 - 45 X 53.8 X 6.3

Type of Seal Inside Diameter Outside Diameter Height

SEAL INFORMATION

| | |
|-------------------|-----------------|
| MATERIAL | 92A URETHANE |
| TEMPERATURE RANGE | -31° TO +230° F |
| SPEED | 1.5 FT/SEC |



WIPER RINGS

| Part Number | A Nom. ID | B Nom. OD | C Nom. Ht | C ₁ OVERALL HEIGHT | D GROOVE WIDTH | E ROD DIAMETER | F THROAT DIAMETER | G HOUSING DIAMETER | List Price |
|----------------------|--------------|--------------|--------------|----------------------------------|----------------------|-------------------------|-------------------------|--------------------------|---------------|
| MSWH24-45X53.8X6.3 | 45 | 53.8 | 6.2 | 9.40 | 6.30 +0.15 +0.00 | 45.00 -0.025 -0.064 | 49.40 +0.062 +0.000 | 53.80 +0.074 +0.000 | \$ 7.70 |
| MSWH24-50X58.8X6.3 | 50 | 58.8 | 6.2 | 9.40 | 6.30 +0.15 +0.00 | 50.00 -0.025 -0.064 | 54.40 +0.074 +0.000 | 58.80 +0.074 +0.000 | 7.88 |
| MSWH24-56X64.8X6.3 | 56 | 64.8 | 6.2 | 9.40 | 6.30 +0.15 +0.00 | 56.00 -0.030 -0.076 | 60.40 +0.074 +0.000 | 64.80 +0.074 +0.000 | 8.04 |
| MSWH24-60X68.8X6.3 | 60 | 68.8 | 6.2 | 9.40 | 6.30 +0.15 +0.00 | 60.00 -0.030 -0.076 | 64.40 +0.074 +0.000 | 68.80 +0.074 +0.000 | 8.20 |
| MSWH24-70X82.2X8.1 | 70 | 82.2 | 8 | 12.00 | 8.10 +0.15 +0.00 | 70.00 -0.030 -0.076 | 76.00 +0.074 +0.000 | 82.20 +0.087 +0.000 | 10.09 |
| MSWH24-75X87.2X8.1 | 75 | 87.2 | 8 | 12.00 | 8.10 +0.15 +0.00 | 75.00 -0.030 -0.076 | 81.00 +0.087 +0.000 | 87.20 +0.087 +0.000 | 10.43 |
| MSWH24-80X92.2X8.1 | 80 | 92.2 | 8 | 12.00 | 8.10 +0.15 +0.00 | 80.00 -0.030 -0.076 | 86.00 +0.087 +0.000 | 92.20 +0.087 +0.000 | 10.77 |
| MSWH24-85X97.2X8.1 | 85 | 97.2 | 8 | 12.00 | 8.10 +0.15 +0.00 | 85.00 -0.036 -0.090 | 91.00 +0.087 +0.000 | 97.20 +0.087 +0.000 | 12.14 |
| MSWH24-90X102.2X8.1 | 90 | 102.2 | 8 | 12.00 | 8.10 +0.15 +0.00 | 90.00 -0.036 -0.090 | 96.00 +0.087 +0.000 | 102.20 +0.087 +0.000 | 14.53 |
| MSWH24-95X107.2X8.1 | 95 | 107.2 | 8 | 12.00 | 8.10 +0.15 +0.00 | 95.00 -0.036 -0.090 | 101.00 +0.087 +0.000 | 107.20 +0.67 +0.00 | 14.69 |
| MSWH24-100X112.2X8.1 | 100 | 112.2 | 8 | 12.00 | 8.10 +0.15 +0.00 | 100.00 -0.036 -0.090 | 106.00 +0.087 +0.000 | 112.20 +0.087 +0.000 | 19.13 |
| MSWH24-105X117.2X8.1 | 105 | 117.2 | 8 | 12.00 | 8.10 +0.15 +0.00 | 105.00 -0.036 -0.090 | 111.00 +0.087 +0.000 | 117.20 +0.087 +0.000 | 19.31 |
| MSWH24-110X122.2X8.1 | 110 | 122.2 | 8 | 12.00 | 8.10 +0.15 +0.00 | 110.00 -0.036 -0.090 | 116.00 +0.087 +0.000 | 122.20 +0.10 +0.00 | 21.70 |
| MSWH24-115X127.2X8.1 | 115 | 127.2 | 8 | 12.00 | 8.10 +0.15 +0.00 | 115.00 -0.036 -0.090 | 121.00 +0.10 +0.00 | 127.20 +0.10 +0.00 | 22.55 |
| MSWH24-125X137.2X8.1 | 125 | 137.2 | 8 | 12.00 | 8.10 +0.15 +0.00 | 125.00 -0.043 -0.106 | 131.00 +0.10 +0.00 | 137.20 +0.10 +0.00 | 24.40 |

Seal color may vary. Special order sizes are available. Please call your regional sales team for assistance.

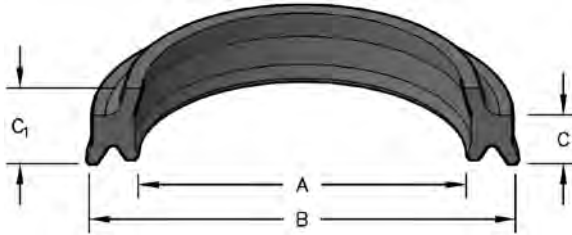
NORTH AMERICA
PHONE 1-800-777-5617
FAX 1-800-759-6391

SALES OFFICE HOURS
8 A.M. TO 7:30 P.M. EASTERN TIME
www.HerculesUS.com

WORLDWIDE
PHONE 1-727-796-1300
FAX 1-727-797-8849

STYLE MSWH SNAP-IN WIPERS

Molded in urethane, this wiper features a double lip which prevents fluid that seeps by the rod seal from exiting the cylinder.

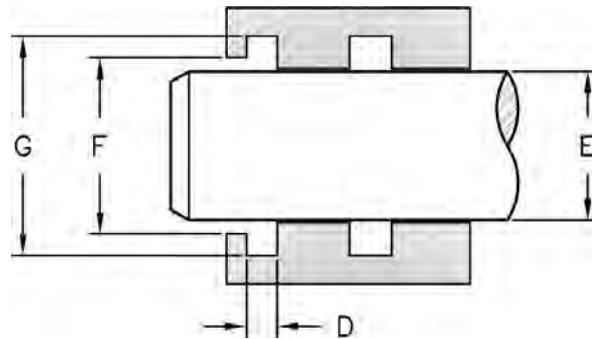


HERCULES PART NUMBERS

MSWH - 12 X 18 X 3.6

Type of Seal: MSWH
 Inside Diameter: 12
 Outside Diameter: 18
 Height: 3.6

| SEAL INFORMATION | |
|-------------------|-----------------|
| MATERIAL | URETHANE |
| TEMPERATURE RANGE | -30° TO +200° F |
| SPEED | 3 FT/SEC |



WIPER RINGS

| Part Number | A Nom. ID | B Nom. OD | C Nom. Ht | C ₁ OVERALL HEIGHT | D GROOVE WIDTH | E ROD DIAMETER | F THROAT DIAMETER | G HOUSING DIAMETER | List Price |
|--------------------|--------------|--------------|--------------|----------------------------------|--|---|---|---|------------|
| MSWH-12X18X3.6 | 12 | 18 | 3.6 | 7.00 | 4.00 ^{+0.20} / _{+0.00} | 12.00 ^{-0.016} / _{-0.043} | 14.50 ^{+0.11} / _{+0.00} | 18.00 ^{+0.043} / _{+0.000} | \$ 18.25 |
| MSWH-14X20X3.6 | 14 | 20 | 3.6 | 7.00 | 4.00 ^{+0.20} / _{+0.00} | 14.00 ^{-0.016} / _{-0.043} | 16.50 ^{+0.11} / _{+0.00} | 20.00 ^{+0.052} / _{+0.000} | 18.80 |
| MSWH-14X22X4.5 | 14 | 22 | 4.5 | 6.00 | 5.00 ^{+0.20} / _{+0.00} | 14.00 ^{-0.016} / _{-0.043} | 18.30 ^{+0.13} / _{+0.00} | 22.00 ^{+0.052} / _{+0.000} | 2.59 |
| MSWH-16X24X4.5 | 16 | 24 | 4.5 | 6.00 | 5.00 ^{+0.20} / _{+0.00} | 16.00 ^{-0.016} / _{-0.043} | 20.30 ^{+0.13} / _{+0.00} | 24.00 ^{+0.052} / _{+0.000} | 2.74 |
| MSWH-18X24X3.6 | 18 | 24 | 3.6 | 7.00 | 4.00 ^{+0.20} / _{+0.00} | 18.00 ^{-0.016} / _{-0.043} | 20.50 ^{+0.13} / _{+0.00} | 24.00 ^{+0.052} / _{+0.000} | 11.93 |
| MSWH-18X26X4.5 | 18 | 26 | 4.5 | 6.00 | 5.00 ^{+0.20} / _{+0.00} | 18.00 ^{-0.016} / _{-0.043} | 22.30 ^{+0.13} / _{+0.00} | 26.00 ^{+0.052} / _{+0.000} | 2.74 |
| MSWH-20X26X3.8 | 20 | 26 | 3.8 | 4.70 | 4.00 ^{+0.20} / _{+0.00} | 20.00 ^{+0.000} / _{-0.052} | 22.50 ^{+0.20} / _{+0.00} | 26.00 ^{+0.084} / _{+0.000} | 3.46 |
| MSWH-20X28X4.5 | 20 | 28 | 4.5 | 6.00 | 5.00 ^{+0.20} / _{+0.00} | 20.00 ^{-0.020} / _{-0.053} | 24.30 ^{+0.13} / _{+0.00} | 28.00 ^{+0.052} / _{+0.000} | 2.89 |
| MSWH-22X28X3.6 | 22 | 28 | 3.6 | 5.00 | 4.00 ^{+0.20} / _{+0.00} | 22.00 ^{-0.020} / _{-0.053} | 24.50 ^{+0.13} / _{+0.00} | 28.00 ^{+0.052} / _{+0.000} | 20.20 |
| MSWH-22.4X30.4X4.5 | 22.4 | 30.4 | 4.5 | 6.00 | 5.00 ^{+0.20} / _{+0.00} | 22.40 ^{-0.020} / _{-0.053} | 26.70 ^{+0.13} / _{+0.00} | 30.40 ^{+0.062} / _{+0.000} | 2.97 |
| MSWH-23.5X31.5X4.5 | 23.5 | 31.5 | 4.5 | 6.00 | 5.00 ^{+0.20} / _{+0.00} | 23.50 ^{-0.020} / _{-0.053} | 27.80 ^{+0.13} / _{+0.00} | 31.50 ^{+0.062} / _{+0.000} | 2.97 |
| MSWH-25X31X5.1 | 25 | 31 | 5.1 | 7.30 | 5.60 ^{+0.20} / _{+0.00} | 25.00 ^{-0.020} / _{-0.041} | | 31.00 ^{+0.16} / _{+0.00} | 2.57 |
| MSWH-25X32X3.75 | 25 | 32 | 3.6 | 4.80 | 4.00 ^{+0.20} / _{+0.00} | 25.00 ^{-0.020} / _{-0.053} | 27.50 ^{+0.13} / _{+0.00} | 32.00 ^{+0.062} / _{+0.000} | 14.53 |
| MSWH-25X33X4.5 | 25 | 33 | 4.5 | 6.00 | 5.00 ^{+0.20} / _{+0.00} | 25.00 ^{-0.020} / _{-0.053} | 29.30 ^{+0.13} / _{+0.00} | 33.00 ^{+0.062} / _{+0.000} | 3.13 |
| MSWH-28X36X4.5 | 28 | 36 | 4.5 | 6.00 | 5.00 ^{+0.20} / _{+0.00} | 28.00 ^{-0.020} / _{-0.053} | 31.00 ^{+0.16} / _{+0.00} | 36.00 ^{+0.062} / _{+0.000} | 3.13 |
| MSWH-28X36X5.5 | 28 | 36 | 5.5 | 8.40 | 6.00 ^{+0.20} / _{+0.00} | 28.00 ^{-0.020} / _{-0.041} | | 36.00 ^{+0.16} / _{+0.00} | 2.57 |

FORMERLY LISTED SEALS ARE AVAILABLE ONLINE AT WWW.HERCULESUS.COM
 OR BY CONTACTING YOUR REGIONAL HERCULES SALES TEAM.



STYLE MSWH SNAP-IN WIPERS

WIPER RINGS

| Part Number | A Nom. ID | B Nom. OD | C Nom. Ht | C ₁ OVERALL HEIGHT | D GROOVE WIDTH | E ROD DIAMETER | F THROAT DIAMETER | G HOUSING DIAMETER | List Price |
|-------------------|--------------|--------------|--------------|----------------------------------|--|---|---|---|---------------|
| MSWH-30X38X5 | 30 | 38.6 | 5 | 7.00 | 5.30 ^{+0.20} / _{+0.00} | 30.00 ^{-0.020} / _{-0.053} | 33.00 ^{+0.16} / _{+0.00} | 38.60 ^{+0.062} / _{+0.000} | 3.23 |
| MSWH-31.5X39.5X5 | 31.5 | 39.5 | 5 | 6.50 | 6.00 ^{+0.20} / _{+0.00} | 31.50 ^{-0.025} / _{-0.064} | 35.50 ^{+0.16} / _{+0.00} | 39.50 ^{+0.062} / _{+0.000} | 3.42 |
| MSWH-32X40X6 | 32 | 40 | 6 | 8.40 | 6.00 ^{+0.20} / _{+0.00} | 32.00 ^{-0.025} / _{-0.064} | 35.00 ^{+0.16} / _{+0.00} | 40.00 ^{+0.062} / _{+0.000} | 17.65 |
| MSWH-32X40X5 | 32 | 40.6 | 5 | 7.00 | 5.30 ^{+0.20} / _{+0.00} | 32.00 ^{-0.025} / _{-0.064} | 35.00 ^{+0.16} / _{+0.00} | 40.60 ^{+0.062} / _{+0.000} | 5.99 |
| MSWH-35X43X4.8 | 35 | 43 | 4.8 | 7.50 | 5.00 ^{+0.20} / _{+0.00} | 35.00 ^{-0.025} / _{-0.064} | 38.00 ^{+0.16} / _{+0.00} | 43.00 ^{+0.16} / _{+0.00} | 8.17 |
| MSWH-35X43X5 | 35 | 43 | 5 | 6.50 | 6.00 ^{±0.20} | 35.00 ^{-0.025} / _{-0.064} | 38.00 ^{+0.16} / _{+0.00} | 43.00 ^{+0.00} / _{-0.20} | 3.84 |
| MSWH-35X44X3.6 | 35 | 44 | 3.6 | 4.90 | 4.00 ^{+0.20} / _{+0.00} | 35.00 ^{-0.025} / _{-0.064} | 41.50 ^{+0.16} / _{+0.00} | 44.00 ^{+0.062} / _{+0.000} | 25.45 |
| MSWH-35.5X43.5X5 | 35.5 | 43.5 | 5 | 6.50 | 6.00 ^{+0.20} / _{+0.00} | 35.50 ^{-0.025} / _{-0.064} | 39.50 ^{+0.16} / _{+0.00} | 43.50 ^{+0.062} / _{+0.000} | 4.05 |
| MSWH-36X44X4.5 | 36 | 44 | 4.5 | 6.00 | 5.00 ^{+0.20} / _{+0.00} | 36.00 ^{-0.025} / _{-0.064} | 39.00 ^{+0.16} / _{+0.00} | 44.00 ^{+0.062} / _{+0.000} | 7.98 |
| MSWH-36X44X6 | 36 | 44 | 6 | 8.40 | 6.00 ^{+0.20} / _{+0.00} | 36.00 ^{-0.025} / _{-0.064} | 39.00 ^{+0.16} / _{+0.00} | 44.00 ^{+0.062} / _{+0.000} | 22.50 |
| MSWH-38X46X4.6 | 38 | 46 | 4.6 | 5.80 | 5.00 ^{+0.20} / _{+0.00} | 38.00 ^{-0.025} / _{-0.064} | 41.00 ^{+0.16} / _{+0.00} | 46.00 ^{+0.062} / _{+0.000} | 8.61 |
| MSWH-40X48X6 | 40 | 48 | 6 | 8.40 | 6.00 ^{+0.20} / _{+0.00} | 40.00 ^{-0.025} / _{-0.064} | 43.00 ^{+0.16} / _{+0.00} | 48.00 ^{+0.062} / _{+0.000} | 18.21 |
| MSWH-40X48X5 | 40 | 48.6 | 5 | 7.00 | 5.30 ^{+0.20} / _{+0.00} | 40.00 ^{-0.025} / _{-0.064} | 43.00 ^{+0.16} / _{+0.00} | 48.60 ^{+0.062} / _{+0.000} | 4.33 |
| MSWH-40X50X4.7 | 40 | 50 | 4.7 | 6.50 | 5.00 ^{+0.20} / _{+0.00} | 40.00 ^{-0.025} / _{-0.064} | 46.30 ^{+0.16} / _{+0.00} | 50.00 ^{+0.062} / _{+0.000} | 3.66 |
| MSWH-40X50.6X4.6 | 40 | 50.6 | 4.6 | 6.90 | 5.10 ^{+0.20} / _{+0.00} | 40.00 ^{-0.025} / _{-0.064} | 44.00 ^{±0.10} | 50.60 ^{+0.00} / _{-0.20} | 5.04 |
| MSWH-42X51X4.5 | 42 | 51 | 4.5 | 6.00 | 5.00 ^{+0.20} / _{+0.00} | 42.00 ^{-0.025} / _{-0.064} | 47.30 ^{+0.16} / _{+0.00} | 51.00 ^{+0.074} / _{+0.000} | 20.30 |
| MSWH-45X53X4.5 | 45 | 53 | 4.5 | 6.00 | 5.00 ^{+0.20} / _{+0.00} | 45.00 ^{-0.025} / _{-0.064} | 48.00 ^{+0.16} / _{+0.00} | 53.00 ^{+0.074} / _{+0.000} | 21.40 |
| MSWH-45X53X5.4-ME | 45 | 53 | 5.4 | 8.40 | 6.00 ^{+0.20} / _{+0.00} | 45.00 ^{-0.020} / _{-0.082} | 48.00 ^{+0.16} / _{+0.00} | 53.00 ^{+0.19} / _{+0.00} | 16.90 |
| MSWH-45X53X5 | 45 | 53.6 | 5 | 7.00 | 5.30 ^{+0.20} / _{+0.00} | 45.00 ^{-0.025} / _{-0.064} | 48.00 ^{+0.16} / _{+0.00} | 53.60 ^{+0.074} / _{+0.000} | 4.75 |
| MSWH-50X58X4.5 | 50 | 58 | 4.5 | 6.00 | 5.00 ^{+0.20} / _{+0.00} | 50.00 ^{-0.025} / _{-0.064} | 53.00 ^{+0.19} / _{+0.00} | 58.00 ^{+0.074} / _{+0.000} | 9.65 |
| MSWH-50X58X6 | 50 | 58 | 6 | 8.70 | 6.00 ^{+0.20} / _{+0.00} | 50.00 ^{-0.025} / _{-0.064} | 53.00 ^{+0.19} / _{+0.00} | 58.00 ^{+0.074} / _{+0.000} | 25.02 |
| MSWH-50X58X5 | 50 | 58.6 | 5 | 7.00 | 5.30 ^{+0.20} / _{+0.00} | 50.00 ^{-0.025} / _{-0.064} | 53.00 ^{+0.19} / _{+0.00} | 58.60 ^{+0.074} / _{+0.000} | 5.16 |
| MSWH-50X59X3.6 | 50 | 59 | 3.6 | 4.80 | 4.00 ^{+0.20} / _{+0.00} | 50.00 ^{-0.025} / _{-0.064} | 54.00 ^{±0.10} | 59.00 ^{-1.00} / _{-1.20} | 8.34 |
| MSWH-50X60X5 | 50 | 60.6 | 5 | 7.00 | 5.30 ^{+0.20} / _{+0.00} | 50.00 ^{-0.025} / _{-0.064} | 53.00 ^{+0.19} / _{+0.00} | 60.60 ^{+0.074} / _{+0.000} | 19.28 |
| MSWH-53X61X5 | 53 | 61 | 5 | 6.50 | 6.00 ^{+0.20} / _{+0.00} | 53.00 ^{-0.030} / _{-0.076} | 57.00 ^{+0.19} / _{+0.00} | 61.00 ^{+0.074} / _{+0.000} | 5.43 |
| MSWH-55X63X5 | 55 | 63.6 | 5 | 7.00 | 5.30 ^{+0.20} / _{+0.00} | 55.00 ^{-0.030} / _{-0.076} | 58.00 ^{+0.19} / _{+0.00} | 63.60 ^{+0.074} / _{+0.000} | 5.62 |
| MSWH-56X64X5 | 56 | 64.6 | 5 | 7.00 | 5.30 ^{+0.20} / _{+0.00} | 56.00 ^{-0.030} / _{-0.076} | 59.00 ^{+0.19} / _{+0.00} | 64.60 ^{+0.074} / _{+0.000} | 5.62 |
| MSWH-56X66X5.3 | 56 | 66 | 5.3 | 7.00 | 6.00 ^{+0.20} / _{+0.00} | 56.00 ^{-0.030} / _{-0.076} | 59.00 ^{+0.19} / _{+0.00} | 66.00 ^{+0.074} / _{+0.000} | 22.80 |
| MSWH-60X68X5 | 60 | 68.6 | 5 | 7.00 | 5.30 ^{+0.20} / _{+0.00} | 60.00 ^{-0.030} / _{-0.076} | 63.00 ^{+0.19} / _{+0.00} | 68.60 ^{+0.074} / _{+0.000} | 6.01 |
| MSWH-63X71X5 | 63 | 71.6 | 5 | 7.00 | 5.30 ^{+0.20} / _{+0.00} | 63.00 ^{-0.030} / _{-0.076} | 66.00 ^{+0.19} / _{+0.00} | 71.60 ^{+0.074} / _{+0.000} | 6.01 |
| MSWH-65X73X5 | 65 | 73.6 | 5 | 7.00 | 5.30 ^{+0.20} / _{+0.00} | 65.00 ^{-0.030} / _{-0.076} | 68.00 ^{+0.19} / _{+0.00} | 73.60 ^{+0.074} / _{+0.000} | 6.01 |
| MSWH-67X75X5 | 67 | 75 | 5 | 6.50 | 6.00 ^{+0.20} / _{+0.00} | 67.00 ^{-0.030} / _{-0.076} | 71.00 ^{+0.19} / _{+0.00} | 75.00 ^{+0.074} / _{+0.000} | 6.01 |
| MSWH-70X80X5.5 | 70 | 80 | 5.5 | 8.00 | 6.00 ^{+0.20} / _{+0.00} | 70.00 ^{-0.030} / _{-0.076} | 73.00 ^{+0.19} / _{+0.00} | 80.00 ^{+0.074} / _{+0.000} | 10.59 |



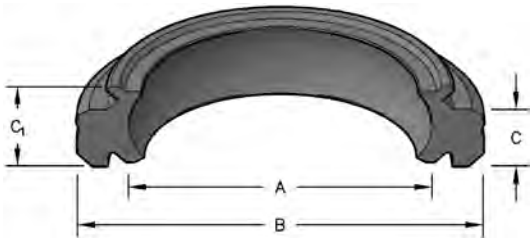
STYLE MSWH SNAP-IN WIPERS

| Part Number | A Nom. ID | B Nom. OD | C Nom. Ht | C ₁ OVERALL HEIGHT | D GROOVE WIDTH | E ROD DIAMETER | F THROAT DIAMETER | G HOUSING DIAMETER | List Price |
|------------------|--------------|--------------|--------------|----------------------------------|--|--|--|--|------------|
| MSWH-70X80X6 | 70 | 80 | 6 | 8.00 | 7.00 ^{+0.20} / _{+0.00} | 70.00 ^{-0.030} / _{-0.076} | 75.00 ^{+0.19} / _{+0.00} | 80.00 ^{+0.074} / _{+0.000} | 7.49 |
| MSWH-71X81X6 | 71 | 81 | 6 | 8.00 | 7.00 ^{+0.20} / _{+0.00} | 71.00 ^{-0.030} / _{-0.076} | 76.00 ^{+0.19} / _{+0.00} | 81.00 ^{+0.087} / _{+0.000} | 7.49 |
| MSWH-75X85X5.5 | 75 | 85 | 5.5 | 8.00 | 6.00 ^{+0.20} / _{+0.00} | 75.00 ^{-0.030} / _{-0.076} | 78.00 ^{+0.19} / _{+0.00} | 85.00 ^{+0.087} / _{+0.000} | 16.30 |
| MSWH-75X85X6 | 75 | 85 | 6 | 8.00 | 7.00 ^{+0.20} / _{+0.00} | 75.00 ^{-0.030} / _{-0.076} | 80.00 ^{+0.19} / _{+0.00} | 85.00 ^{+0.087} / _{+0.000} | 7.93 |
| MSWH-79X89X4.5 | 79 | 89 | 4.5 | 7.00 | 5.00 ^{+0.20} / _{+0.00} | 79.00 ^{-0.030} / _{-0.076} | 84.00 ^{+0.22} / _{+0.00} | 89.00 ^{+0.087} / _{+0.000} | 19.09 |
| MSWH-80X90X6 | 80 | 90 | 6 | 8.00 | 7.00 ^{+0.20} / _{+0.00} | 80.00 ^{-0.030} / _{-0.076} | 85.00 ^{+0.22} / _{+0.00} | 90.00 ^{+0.087} / _{+0.000} | 7.93 |
| MSWH-85X95X6 | 85 | 95 | 6 | 8.00 | 7.00 ^{+0.20} / _{+0.00} | 85.00 ^{-0.036} / _{-0.090} | 90.00 ^{+0.22} / _{+0.00} | 95.00 ^{+0.087} / _{+0.000} | 8.22 |
| MSWH-90X100X5.3 | 90 | 100 | 5.3 | | 6.00 ^{+0.20} / _{+0.00} | 90.00 ^{-0.036} / _{-0.090} | 93.00 ^{+0.22} / _{+0.00} | 100.00 ^{+0.087} / _{+0.000} | 30.77 |
| MSWH-90X100X6 | 90 | 100 | 6 | 8.00 | 7.00 ^{+0.20} / _{+0.00} | 90.00 ^{-0.036} / _{-0.090} | 95.00 ^{+0.22} / _{+0.00} | 100.00 ^{+0.087} / _{+0.000} | 8.89 |
| MSWH-98X108X4.5 | 98 | 108 | 4.5 | 7.00 | 5.00 ^{+0.20} / _{+0.00} | 98.00 ^{-0.036} / _{-0.090} | 103.00 ^{+0.22} / _{+0.00} | 108.00 ^{+0.087} / _{+0.000} | 19.88 |
| MSWH-98X108X6 | 98 | 108 | 6 | 8.00 | 7.00 ^{+0.20} / _{+0.00} | 98.00 ^{-0.036} / _{-0.090} | 103.00 ^{+0.22} / _{+0.00} | 108.00 ^{+0.087} / _{+0.000} | 11.65 |
| MSWH-100X110X6 | 100 | 110 | 6 | 9.00 | 7.00 ^{+0.20} / _{+0.00} | 100.00 ^{-0.036} / _{-0.090} | 105.00 ^{+0.22} / _{+0.00} | 110.00 ^{+0.087} / _{+0.000} | 12.89 |
| MSWH-110X125X7.5 | 110 | 125 | 7.5 | 9.50 | 8.50 ^{+0.20} / _{+0.00} | 110.00 ^{-0.036} / _{-0.090} | 114.00 ^{+0.22} / _{+0.00} | 125.00 ^{+0.10} / _{+0.00} | 45.57 |
| MSWH-112X122X6 | 112 | 122 | 6 | 8.00 | 7.00 ^{+0.20} / _{+0.00} | 112.00 ^{-0.036} / _{-0.090} | 117.00 ^{+0.22} / _{+0.00} | 122.00 ^{+0.10} / _{+0.00} | 14.31 |
| MSWH-117X127X5.5 | 117 | 127 | 5.5 | 8.00 | 6.00 ^{+0.20} / _{+0.00} | 117.00 ^{-0.036} / _{-0.090} | 122.00 ^{+0.25} / _{+0.00} | 127.00 ^{+0.10} / _{+0.00} | 27.72 |
| MSWH-125X138X7 | 125 | 138 | 7 | 9.50 | 8.00 ^{+0.20} / _{+0.00} | 125.00 ^{-0.043} / _{-0.106} | 132.00 ^{+0.25} / _{+0.00} | 138.00 ^{+0.10} / _{+0.00} | 15.50 |
| MSWH-136X146X5.5 | 136 | 146 | 5.5 | 8.00 | 6.00 ^{+0.20} / _{+0.00} | 136.00 ^{-0.043} / _{-0.106} | 142.00 ^{+0.25} / _{+0.00} | 146.00 ^{+0.10} / _{+0.00} | 30.17 |
| MSWH-136X149X7 | 136 | 149 | 7 | 9.50 | 8.00 ^{+0.20} / _{+0.00} | 136.00 ^{-0.043} / _{-0.106} | 143.00 ^{+0.25} / _{+0.00} | 149.00 ^{+0.10} / _{+0.00} | 16.80 |
| MSWH-140X153X7 | 140 | 153 | 7 | 9.50 | 8.00 ^{+0.20} / _{+0.00} | 140.00 ^{-0.043} / _{-0.106} | 147.00 ^{+0.25} / _{+0.00} | 153.00 ^{+0.10} / _{+0.00} | 17.09 |
| MSWH-140X155X7.5 | 140 | 155 | 7.5 | 9.50 | 8.50 ^{+0.20} / _{+0.00} | 140.00 ^{-0.043} / _{-0.106} | 144.00 ^{+0.25} / _{+0.00} | 155.00 ^{+0.10} / _{+0.00} | 54.11 |
| MSWH-145X158X7 | 145 | 158 | 7 | 9.50 | 8.00 ^{+0.20} / _{+0.00} | 145.00 ^{-0.043} / _{-0.106} | 152.00 ^{+0.25} / _{+0.00} | 158.00 ^{+0.10} / _{+0.00} | 17.09 |
| MSWH-155X165X5.5 | 155 | 165 | 5.5 | 8.00 | 6.00 ^{+0.20} / _{+0.00} | 155.00 ^{-0.043} / _{-0.106} | 160.00 ^{+0.25} / _{+0.00} | 165.00 ^{+0.10} / _{+0.00} | 32.78 |
| MSWH-160X174X7 | 160 | 174 | 7 | 9.50 | 8.00 ^{+0.20} / _{+0.00} | 160.00 ^{-0.043} / _{-0.106} | 167.00 ^{+0.25} / _{+0.00} | 174.00 ^{+0.10} / _{+0.00} | 19.10 |
| MSWH-176X186X5.5 | 176 | 186 | 5.5 | 8.00 | 6.00 ^{+0.20} / _{+0.00} | 176.00 ^{-0.043} / _{-0.106} | 180.00 ^{+0.25} / _{+0.00} | 186.00 ^{+0.115} / _{+0.000} | 55.43 |
| MSWH-198X208X5.5 | 198 | 208 | 5.5 | 8.00 | 6.00 ^{+0.20} / _{+0.00} | 198.00 ^{-0.050} / _{-0.122} | 203.00 ^{+0.29} / _{+0.00} | 208.00 ^{+0.115} / _{+0.000} | 58.23 |

WIPER RINGS

STYLE MWSCK SNAP-IN WIPERS

Molded in nitrile, this double lipped wiper is common in Toyota lift trucks.

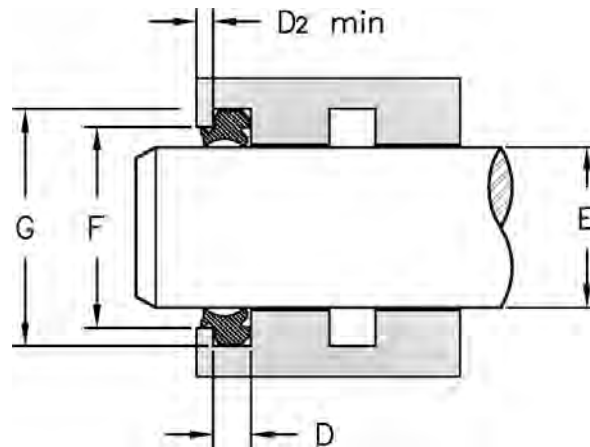


HERCULES PART NUMBERS

MWSCK - 25 X 37 X 6
 Type of Seal Inside Diameter Outside Diameter Height

SEAL INFORMATION

| | |
|-------------------|-----------------|
| MATERIAL | NITRILE |
| TEMPERATURE RANGE | -49° TO +212° F |
| SPEED | 3 FT/SEC |



| Part Number | A Nom. ID | B Nom. OD | C Nom. Ht | C ₁ OVERALL HEIGHT | D GROOVE WIDTH | E ROD DIAMETER | F THROAT DIAMETER | G HOUSING DIAMETER | D ₂ OUTER THROAT DEPTH | C HEIGHT | List Price |
|----------------|-----------|-----------|-----------|-------------------------------|--|---|-------------------|--|-----------------------------------|----------|------------|
| MWSCK-20X32X6 | 20 | 32 | 6 | 7.70 | 6.00 ^{+0.30} / _{+0.00} | 20.00 ^{-0.020} / _{-0.053} | 26.00 ±0.10 | 32.00 ^{+0.00} / _{-0.20} | 3.00 | 5.80 | \$9.01 |
| MWSCK-25X37X6 | 25 | 37 | 6 | 7.70 | 6.00 ^{+0.30} / _{+0.00} | 25.00 ^{-0.020} / _{-0.053} | 31.00 ±0.10 | 37.00 ^{+0.00} / _{-0.20} | 3.00 | 5.80 | 11.11 |
| MWSCK-30X42X6 | 30 | 42 | 6 | 7.70 | 6.00 ^{+0.30} / _{+0.00} | 30.00 ^{-0.020} / _{-0.053} | 36.00 ±0.10 | 42.00 ^{+0.00} / _{-0.20} | 3.00 | 5.80 | 11.56 |
| MWSCK-35X47X7 | 35 | 47 | 7 | 8.70 | 7.00 ^{+0.30} / _{+0.00} | 35.00 ^{-0.025} / _{-0.064} | 41.00 ±0.10 | 47.00 ^{+0.00} / _{-0.20} | 3.00 | 6.80 | 16.79 |
| MWSCK-40X52X7 | 40 | 52 | 7 | 8.70 | 7.00 ^{+0.30} / _{+0.00} | 40.00 ^{-0.025} / _{-0.064} | 46.00 ±0.10 | 52.00 ^{+0.00} / _{-0.20} | 3.00 | 6.80 | 17.75 |
| MWSCK-45X57X7 | 45 | 57 | 7 | 8.70 | 7.00 ^{+0.30} / _{+0.00} | 45.00 ^{-0.025} / _{-0.064} | 51.00 ±0.10 | 57.00 ^{+0.00} / _{-0.20} | 3.00 | 6.80 | 18.63 |
| MWSCK-50X62X7 | 50 | 62 | 7 | 8.70 | 7.00 ^{+0.30} / _{+0.00} | 50.00 ^{-0.025} / _{-0.064} | 56.00 ±0.10 | 62.00 ^{+0.00} / _{-0.20} | 3.00 | 6.80 | 19.94 |
| MWSCK-55X69X8 | 55 | 69 | 8 | 10.00 | 8.00 ^{+0.30} / _{+0.00} | 55.00 ^{-0.030} / _{-0.076} | 62.00 ±0.10 | 69.00 ^{+0.00} / _{-0.20} | 3.00 | 7.70 | 20.72 |
| MWSCK-60X74X8 | 60 | 74 | 8 | 10.00 | 8.00 ^{+0.30} / _{+0.00} | 60.00 ^{-0.030} / _{-0.076} | 67.00 ±0.10 | 74.00 ^{+0.00} / _{-0.20} | 3.00 | 7.70 | 21.50 |
| MWSCK-65X79X8 | 65 | 79 | 8 | 10.00 | 8.00 ^{+0.30} / _{+0.00} | 65.00 ^{-0.030} / _{-0.076} | 72.00 ±0.10 | 79.00 ^{+0.00} / _{-0.20} | 3.00 | 7.70 | 22.27 |
| MWSCK-70X84X8 | 70 | 84 | 8 | 10.00 | 8.00 ^{+0.30} / _{+0.00} | 70.00 ^{-0.030} / _{-0.076} | 77.00 ±0.10 | 84.00 ^{+0.00} / _{-0.20} | 3.00 | 7.70 | 23.05 |
| MWSCK-75X89X8 | 75 | 89 | 8 | 10.00 | 8.00 ^{+0.30} / _{+0.00} | 75.00 ^{-0.030} / _{-0.076} | 82.00 ±0.10 | 89.00 ^{+0.00} / _{-0.20} | 3.00 | 7.70 | 23.83 |
| MWSCK-80X94X8 | 80 | 94 | 8 | 10.00 | 8.00 ^{+0.30} / _{+0.00} | 80.00 ^{-0.030} / _{-0.076} | 87.00 ±0.10 | 94.00 ^{+0.00} / _{-0.20} | 3.00 | 7.70 | 24.60 |
| MWSCK-85X99X8 | 85 | 99 | 8 | 10.00 | 8.00 ^{+0.30} / _{+0.00} | 85.00 ^{-0.036} / _{-0.090} | 92.00 ±0.10 | 99.00 ^{+0.00} / _{-0.20} | 3.00 | 7.70 | 25.38 |
| MWSCK-95X109X8 | 95 | 109 | 8 | 10.00 | 8.00 ^{+0.30} / _{+0.00} | 95.00 ^{-0.036} / _{-0.090} | 102.00 ±0.10 | 109.00 ^{+0.00} / _{-0.20} | 3.00 | 7.70 | 27.28 |



STYLE MWSCK SNAP-IN WIPERS

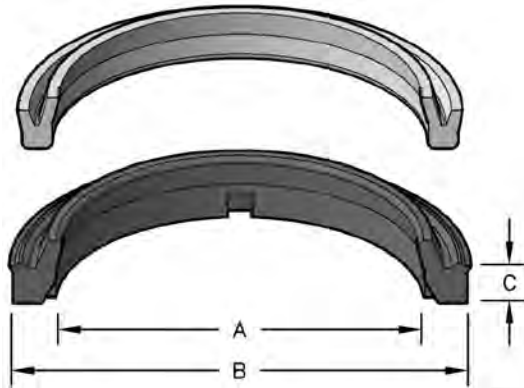
| Part Number | A Nom. ID | B Nom. OD | C Nom. Ht | C ₁ OVERALL HEIGHT | D GROOVE WIDTH | E ROD DIAMETER | F THROAT DIAMETER | G HOUSING DIAMETER | D ₂ OUTER THROAT DEPTH | C HEIGHT | List Price |
|-----------------|-----------------|-----------------|-----------------|-------------------------------------|------------------------|----------------------------|-------------------------|--------------------------|--|-------------|---------------|
| MWSCK-105X121X9 | 105 | 121 | 9 | 12.00 | 9.00 +0.30 +0.00 | 105.00 -0.036 -0.090 | 113.00 ±0.10 | 121.00 +0.00 -0.20 | 4.00 | 8.70 | 28.98 |
| MWSCK-110X126X9 | 110 | 126 | 9 | 12.00 | 9.00 +0.30 +0.00 | 110.00 -0.036 -0.090 | 118.00 ±0.10 | 126.00 +0.00 -0.20 | 4.00 | 8.70 | 29.84 |
| MWSCK-115X131X9 | 115 | 131 | 9 | 12.00 | 9.00 +0.30 +0.00 | 115.00 -0.036 -0.090 | 123.00 ±0.10 | 131.00 +0.00 -0.20 | 4.00 | 8.70 | 30.69 |
| MWSCK-120X136X9 | 120 | 136 | 9 | 12.00 | 9.00 +0.30 +0.00 | 120.00 -0.036 -0.090 | 128.00 ±0.10 | 136.00 +0.00 -0.20 | 4.00 | 8.70 | 31.54 |
| MWSCK-125X141X9 | 125 | 141 | 9 | 12.00 | 9.00 +0.30 +0.00 | 125.00 -0.043 -0.106 | 133.00 ±0.10 | 141.00 +0.00 -0.20 | 4.00 | 8.70 | 32.39 |

Seal color may vary. Special order sizes are available. Please call your regional sales team for assistance.

WIPER RINGS

STYLE MSW SNAP-IN WIPERS

Molded in urethane, this wiper features a lip on the outer diameter to aid in contaminant exclusion.

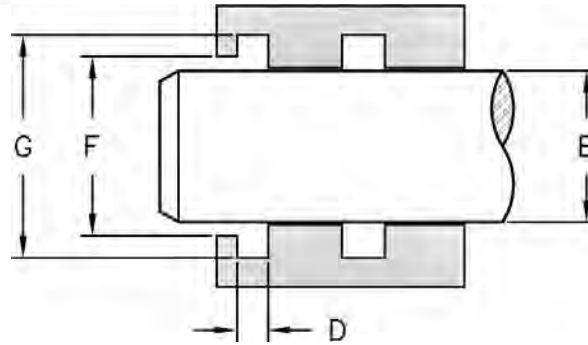


HERCULES PART NUMBERS

MSW - 20 X 28 X 4.5
 Type of Seal Inside Diameter Outside Diameter Height

SEAL INFORMATION

| | |
|-------------------|-----------------|
| MATERIAL | URETHANE |
| TEMPERATURE RANGE | -30° TO +200° F |
| SPEED | 3 FT/SEC |



WIPER RINGS

| Part Number | A Nom. ID | B Nom. OD | C Nom. Ht | D GROOVE WIDTH | E ROD DIAMETER | F THROAT DIAMETER | G HOUSING DIAMETER | List Price |
|---------------|--------------|--------------|--------------|------------------------|---------------------------|-------------------------|--------------------------|---------------|
| MSW-20X28X4.5 | 20 | 28 | 4.5 | 5.50 +0.30 +0.00 | 20.00 -0.020 -0.053 | 24.00 ±0.10 | 28.00 +0.00 -0.20 | \$2.05 |
| MSW-25X33X4.5 | 25 | 33 | 4.5 | 5.50 +0.30 +0.00 | 25.00 -0.020 -0.053 | 29.00 ±0.10 | 33.00 +0.00 -0.20 | 3.05 |
| MSW-25X34X4.5 | 25 | 34 | 4.5 | 5.50 +0.30 +0.00 | 25.00 -0.020 -0.053 | 29.50 ±0.10 | 34.00 +0.00 -0.20 | 4.20 |
| MSW-30X38X5 | 30 | 38 | 5 | 6.00 +0.30 +0.00 | 30.00 -0.020 -0.053 | 34.00 ±0.10 | 38.00 +0.00 -0.20 | 7.54 |



STYLE MSW SNAP-IN WIPERS

| Part Number | A Nom. ID | B Nom. OD | C Nom. Ht | D GROOVE WIDTH | E ROD DIAMETER | F THROAT DIAMETER | G HOUSING DIAMETER | List Price |
|---------------|--------------|--------------|--------------|----------------------|-------------------------|-------------------------|--------------------------|---------------|
| MSW-35X43X5 | 35 | 43 | 5 | 6.00 +0.30 +0.00 | 35.00 -0.025 -0.064 | 39.00 ±0.10 | 43.00 +0.00 -0.20 | 4.18 |
| MSW-40X48X4.5 | 40 | 48 | 4.5 | 5.50 +0.30 +0.00 | 40.00 -0.025 -0.064 | 44.00 ±0.10 | 48.00 +0.00 -0.20 | 4.59 |
| MSW-40X48X5 | 40 | 48 | 5 | 6.00 +0.30 +0.00 | 40.00 -0.025 -0.064 | 44.00 ±0.10 | 48.00 +0.00 -0.20 | 4.59 |
| MSW-40X50X6 | 40 | 50 | 6 | 7.00 +0.30 +0.00 | 40.00 -0.025 -0.064 | 45.00 ±0.10 | 50.00 +0.00 -0.20 | 4.59 |
| MSW-45X53X5 | 45 | 53 | 5 | 6.00 +0.30 +0.00 | 45.00 -0.025 -0.064 | 49.00 ±0.10 | 53.00 +0.00 -0.20 | 5.61 |
| MSW-45X55X6 | 45 | 55 | 6 | 7.00 +0.30 +0.00 | 45.00 -0.025 -0.064 | 50.00 ±0.10 | 55.00 +0.00 -0.20 | 5.61 |
| MSW-50X58X5 | 50 | 58 | 5 | 6.00 +0.30 +0.00 | 50.00 -0.025 -0.064 | 54.00 ±0.10 | 58.00 +0.00 -0.20 | 6.37 |
| MSW-50X60X6 | 50 | 60 | 6 | 7.00 +0.30 +0.00 | 50.00 -0.025 -0.064 | 55.00 ±0.10 | 60.00 +0.00 -0.20 | 6.37 |
| MSW-55X63X5 | 55 | 63 | 5 | 6.00 +0.30 +0.00 | 55.00 -0.030 -0.076 | 59.00 ±0.10 | 63.00 +0.00 -0.20 | 17.18 |
| MSW-55X65X6 | 55 | 65 | 6 | 7.00 +0.30 +0.00 | 55.00 -0.030 -0.076 | 60.00 ±0.10 | 65.00 +0.00 -0.20 | 11.39 |
| MSW-60X68X5 | 60 | 68 | 5 | 6.00 +0.30 +0.00 | 60.00 -0.030 -0.076 | 64.00 ±0.10 | 68.00 +0.00 -0.20 | 7.71 |
| MSW-60X73X7 | 60 | 73 | 7 | 8.00 +0.30 +0.00 | 60.00 -0.030 -0.076 | 66.50 ±0.10 | 73.00 +0.00 -0.20 | 8.27 |
| MSW-65X79X7 | 65 | 79 | 7 | 8.00 +0.30 +0.00 | 65.00 -0.030 -0.076 | 72.00 ±0.10 | 79.00 +0.00 -0.20 | 8.81 |
| MSW-70X80X6 | 70 | 80 | 6 | 7.00 +0.30 +0.00 | 70.00 -0.030 -0.076 | 75.00 ±0.10 | 80.00 +0.00 -0.20 | 9.19 |
| MSW-70X83X7 | 70 | 83 | 7 | 8.00 +0.30 +0.00 | 70.00 -0.030 -0.076 | 76.50 ±0.10 | 83.00 +0.00 -0.20 | 9.19 |
| MSW-75X85X6 | 75 | 85 | 6 | 7.00 +0.30 +0.00 | 75.00 -0.030 -0.076 | 80.00 ±0.10 | 85.00 +0.00 -0.20 | 10.17 |
| MSW-75X88X7 | 75 | 88 | 7 | 8.00 +0.30 +0.00 | 75.00 -0.030 -0.076 | 81.50 ±0.10 | 88.00 +0.00 -0.20 | 10.17 |
| MSW-80X90X6 | 80 | 90 | 6 | 7.00 +0.30 +0.00 | 80.00 -0.030 -0.076 | 85.00 ±0.10 | 90.00 +0.00 -0.20 | 10.17 |
| MSW-80X93X7 | 80 | 93 | 7 | 8.00 +0.30 +0.00 | 80.00 -0.030 -0.076 | 86.50 ±0.10 | 93.00 +0.00 -0.20 | 10.17 |
| MSW-85X98X7 | 85 | 98 | 7 | 8.00 +0.30 +0.00 | 85.00 -0.036 -0.090 | 91.50 ±0.10 | 98.00 +0.00 -0.20 | 15.34 |
| MSW-90X100X6 | 90 | 100 | 6 | 7.00 +0.30 +0.00 | 90.00 -0.036 -0.090 | 95.00 ±0.10 | 100.00 +0.00 -0.20 | 15.34 |
| MSW-90X103X7 | 90 | 103 | 7 | 8.00 +0.30 +0.00 | 90.00 -0.036 -0.090 | 96.50 ±0.10 | 103.00 +0.00 -0.20 | 15.34 |
| MSW-95X105X6 | 95 | 105 | 6 | 7.00 +0.30 +0.00 | 95.00 -0.036 -0.090 | 100.00 ±0.10 | 105.00 +0.00 -0.20 | 21.04 |
| MSW-95X108X7 | 95 | 108 | 7 | 8.00 +0.30 +0.00 | 95.00 -0.036 -0.090 | 101.50 ±0.10 | 108.00 +0.00 -0.20 | 21.04 |
| MSW-100X110X6 | 100 | 110 | 6 | 7.00 +0.30 +0.00 | 100.00 -0.036 -0.090 | 105.00 ±0.10 | 110.00 +0.00 -0.20 | 21.04 |
| MSW-100X113X7 | 100 | 113 | 7 | 8.00 +0.30 +0.00 | 100.00 -0.036 -0.090 | 106.50 ±0.10 | 113.00 +0.00 -0.20 | 21.04 |
| MSW-110X120X6 | 110 | 120 | 6 | 7.00 +0.30 +0.00 | 110.00 -0.036 -0.090 | 115.00 ±0.10 | 120.00 +0.00 -0.20 | 21.88 |
| MSW-110X123X7 | 110 | 123 | 7 | 8.00 +0.30 +0.00 | 110.00 -0.036 -0.090 | 116.50 ±0.10 | 123.00 +0.00 -0.20 | 22.82 |
| MSW-120X130X6 | 120 | 130 | 6 | 7.00 +0.30 +0.00 | 120.00 -0.036 -0.090 | 125.00 ±0.10 | 130.00 +0.00 -0.20 | 22.72 |
| MSW-120X133X7 | 120 | 133 | 7 | 8.00 +0.30 +0.00 | 120.00 -0.036 -0.090 | 126.50 ±0.10 | 133.00 +0.00 -0.20 | 22.72 |
| MSW-125X138X7 | 125 | 138 | 7 | 8.00 +0.30 +0.00 | 125.00 -0.043 -0.106 | 131.50 ±0.10 | 138.00 +0.00 -0.20 | 23.55 |
| MSW-140X153X7 | 140 | 153 | 7 | 8.00 +0.30 +0.00 | 140.00 -0.043 -0.106 | 146.50 ±0.10 | 153.00 +0.00 -0.20 | 26.09 |

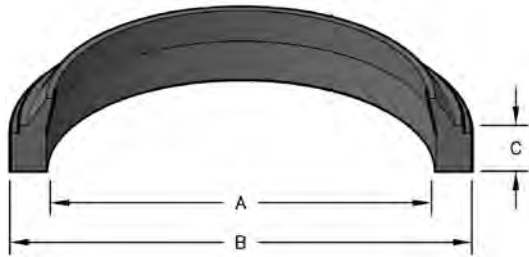
WIPER RINGS

Seal color may vary. Special order sizes are available. Sizes not shown and out of stock items can also be ordered for next day delivery through Seals On Demand, our custom seal program. Please call your regional sales team for assistance.

FORMERLY LISTED SEALS ARE AVAILABLE ONLINE AT WWW.HERCULESUS.COM
OR BY CONTACTING YOUR REGIONAL HERCULES SALES TEAM.

STYLE MSWS / MSWSN SNAP-IN WIPERS

This light duty wiper is molded in polyurethane and features a double-stepped shoulder to fit tightly in the gland throat.



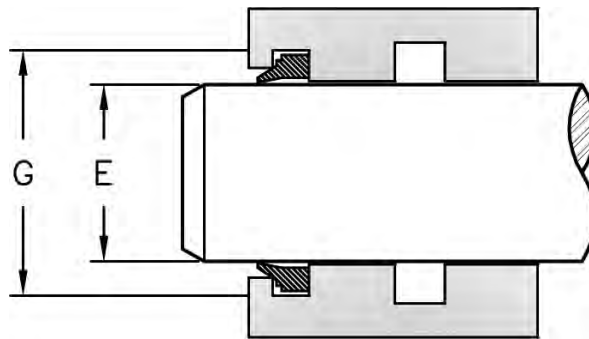
HERCULES PART NUMBERS

MSWS - 16 X 24 X 4

Type of Seal Inside Diameter Outside Diameter Height

SEAL INFORMATION

| | |
|-------------------|-----------------|
| MATERIAL | URETHANE |
| TEMPERATURE RANGE | -22° TO +212° F |
| SPEED | 3 FT/SEC |

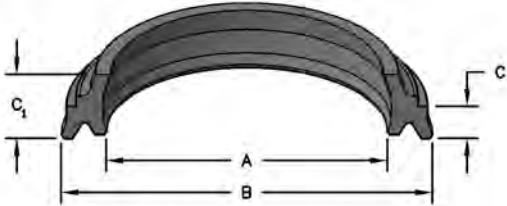


| Part Number | A Nom. ID | B Nom. OD | C Nom. Ht | E ROD DIAMETER | G HOUSING DIAMETER | List Price |
|-------------------|--------------|--------------|--------------|----------------------|--------------------------|---------------|
| MSWS-16X24X4 | 16 | 24 | 4 | 16.00 | 24.00 | \$2.01 |
| MSWSN-16X24X4 | 16 | 24 | 4 | 16.00 | 24.00 | 2.20 |
| MSWS-20X28X4 | 20 | 28 | 4 | 20.00 | 28.00 | 2.94 |
| MSWS-22X30X4 | 22 | 30 | 4 | 22.00 | 30.00 | 2.18 |
| MSWS-25X33X4 | 25 | 33 | 4 | 25.00 | 33.00 | 2.01 |
| MSWS-28X36X4 | 28 | 36 | 4 | 28.00 | 36.00 | 2.56 |
| MSWS-30X38X4 | 30 | 38 | 4 | 30.00 | 38.00 | 2.69 |
| MSWS-32X40X4 | 32 | 40 | 4 | 32.00 | 40.00 | 2.56 |
| MSWS-35X43X4 | 35 | 43 | 4 | 35.00 | 43.00 | 2.69 |
| MSWS-36X44X4 | 36 | 44 | 4 | 36.00 | 44.00 | 2.56 |
| MSWS-40X48X4 | 40 | 48 | 4 | 40.00 | 48.00 | 3.07 |
| MSWS-42X50X4 | 42 | 50 | 4 | 42.00 | 50.00 | 3.21 |
| MSWS-45X53X4 | 45 | 53 | 4 | 45.00 | 53.00 | 2.83 |
| MSWS-50X58X4 | 50 | 58 | 4 | 50.00 | 58.00 | 2.56 |
| MSWS-55X63X4 | 55 | 63 | 4 | 55.00 | 63.00 | 4.10 |
| MSWS-56X64X4 | 56 | 64 | 4 | 56.00 | 64.00 | 3.82 |
| MSWS-60X68X4 | 60 | 68 | 4 | 60.00 | 68.00 | 3.82 |
| MSWS-63X71X4 | 63 | 71 | 4 | 63.00 | 71.00 | 3.82 |
| MSWS-65X73X4 | 65 | 73 | 4 | 65.00 | 73.00 | 3.96 |
| MSWS-70X78X4 | 70 | 78 | 4 | 70.00 | 78.00 | 3.07 |
| MSWS-80X88X4 | 80 | 88 | 4 | 80.00 | 88.00 | 4.34 |
| MSWSN-82X90X4 | 82 | 90 | 4 | 82.00 | 90.00 | 13.46 |
| MSWSN-85X93X4 | 85 | 93 | 4 | 85.00 | 93.00 | 2.80 |
| MSWS-90X98X4 | 90 | 98 | 4 | 90.00 | 98.00 | 3.56 |
| MSWS-100X108X4 | 100 | 108 | 4 | 100.00 | 108.00 | 5.26 |
| MSWSN-300X315X6.5 | 300 | 315 | 6.5 | 300.00 | 315.00 | 6.15 |

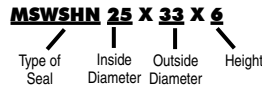
NEW FOR 2015

STYLE MSWSHN SNAP-IN WIPERS

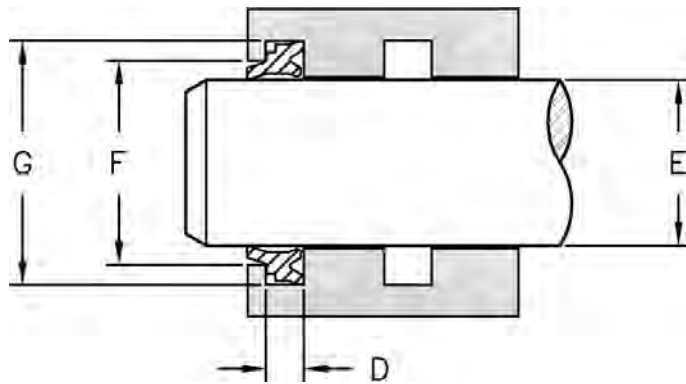
Molded in nitrile, this wiper features a double lip which prevents fluid that seeps by the rod seal from exiting the cylinder. It features a double-stepped shoulder to fit tightly in the gland throat.



HERCULES PART NUMBERS



| SEAL INFORMATION | |
|-------------------|---------------|
| MATERIAL | 90A NITRILE |
| TEMPERATURE RANGE | -22° TO 230°F |
| SPEED | 3 FT/SEC |



WIPER RINGS

| Part Number | A Nom. ID | B Nom. OD | C Nom. Ht | C ₁ OVERALL HEIGHT | D GROOVE WIDTH | E ROD DIAMETER | F THROAT DIAMETER | G HOUSING DIAMETER | List Price |
|----------------|--------------|--------------|--------------|----------------------------------|---|---|---|---|------------|
| MSWSHN-25X33X6 | 25 | 33 | 6 | 8.00 | 6.00 ^{+0.20} / _{-0.053} | 25.00 ^{-0.020} / _{-0.053} | 28.50 ^{+0.13} / _{+0.00} | 33.00 ^{+0.062} / _{+0.000} | \$4.31 |
| MSWSHN-30X38X6 | 30 | 38 | 6 | 8.00 | 6.00 ^{+0.20} / _{+0.00} | 30.00 ^{-0.020} / _{-0.053} | 33.50 ^{+0.16} / _{+0.00} | 38.00 ^{+0.062} / _{+0.000} | 4.15 |
| MSWSHN-32X40X6 | 32 | 40 | 6 | 8.00 | 6.00 ^{+0.20} / _{+0.00} | 32.00 ^{-0.025} / _{-0.064} | 35.50 ^{+0.16} / _{+0.00} | 40.00 ^{+0.062} / _{+0.000} | 4.41 |
| MSWSHN-35X43X6 | 35 | 43 | 6 | 8.00 | 6.00 ^{+0.20} / _{+0.00} | 35.00 ^{-0.025} / _{-0.064} | 38.50 ^{+0.16} / _{+0.00} | 43.00 ^{+0.062} / _{+0.000} | 4.95 |
| MSWSHN-36X44X6 | 36 | 44 | 6 | 8.00 | 6.00 ^{+0.20} / _{+0.00} | 36.00 ^{-0.025} / _{-0.064} | 39.50 ^{+0.16} / _{+0.00} | 44.00 ^{+0.062} / _{+0.000} | 4.61 |
| MSWSHN-38X46X6 | 38 | 46 | 6 | 8.00 | 6.00 ^{+0.20} / _{+0.00} | 38.00 ^{-0.025} / _{-0.064} | 41.50 ^{+0.16} / _{+0.00} | 46.00 ^{+0.062} / _{+0.000} | 5.02 |
| MSWSHN-40X48X6 | 40 | 48 | 6 | 8.00 | 6.00 ^{+0.20} / _{+0.00} | 40.00 ^{-0.025} / _{-0.064} | 43.50 ^{+0.16} / _{+0.00} | 48.00 ^{+0.062} / _{+0.000} | 4.73 |
| MSWSHN-45X53X6 | 45 | 53 | 6 | 8.00 | 6.00 ^{+0.20} / _{+0.00} | 45.00 ^{-0.025} / _{-0.064} | 48.50 ^{+0.16} / _{+0.00} | 53.00 ^{+0.074} / _{+0.000} | 4.98 |
| MSWSHN-50X58X6 | 50 | 58 | 6 | 8.00 | 6.00 ^{+0.20} / _{+0.00} | 50.00 ^{-0.025} / _{-0.064} | 53.50 ^{+0.19} / _{+0.00} | 58.00 ^{+0.074} / _{+0.000} | 4.84 |
| MSWSHN-55X63X6 | 55 | 63 | 6 | 8.00 | 6.00 ^{+0.20} / _{+0.00} | 55.00 ^{-0.030} / _{-0.076} | 58.50 ^{+0.19} / _{+0.00} | 63.00 ^{+0.074} / _{+0.000} | 6.35 |
| MSWSHN-60X68X6 | 60 | 68 | 6 | 8.00 | 6.00 ^{+0.20} / _{+0.00} | 60.00 ^{-0.030} / _{-0.076} | 63.50 ^{+0.19} / _{+0.00} | 68.00 ^{+0.074} / _{+0.000} | 5.59 |
| MSWSHN-63X71X6 | 63 | 71 | 6 | 8.00 | 6.00 ^{+0.20} / _{+0.00} | 63.00 ^{-0.030} / _{-0.076} | 66.50 ^{+0.19} / _{+0.00} | 71.00 ^{+0.074} / _{+0.000} | 5.62 |
| MSWSHN-65X73X6 | 65 | 73 | 6 | 8.00 | 6.00 ^{+0.20} / _{+0.00} | 65.00 ^{-0.030} / _{-0.076} | 68.50 ^{+0.19} / _{+0.00} | 73.00 ^{+0.074} / _{+0.000} | 5.97 |
| MSWSHN-70X78X6 | 70 | 78 | 6 | 8.00 | 6.00 ^{+0.20} / _{+0.00} | 70.00 ^{-0.030} / _{-0.076} | 73.50 ^{+0.19} / _{+0.00} | 78.00 ^{+0.074} / _{+0.000} | 5.85 |

FORMERLY LISTED SEALS ARE AVAILABLE ONLINE AT WWW.HERCULESUS.COM
 OR BY CONTACTING YOUR REGIONAL HERCULES SALES TEAM.



STYLE MSWSHN SNAP-IN WIPERS

| Part Number | A Nom. ID | B Nom. OD | C Nom. Ht | C ₁ OVERALL HEIGHT | D GROOVE WIDTH | E ROD DIAMETER | F THROAT DIAMETER | G HOUSING DIAMETER | List Price |
|--------------------|--------------|--------------|--------------|----------------------------------|--|--|--|--|---------------|
| MSWSHN-75X83X6 | 75 | 83 | 6 | 8.00 | 6.00 ^{+0.20} / _{+0.00} | 75.00 ^{-0.030} / _{-0.076} | 78.50 ^{+0.19} / _{+0.00} | 83.00 ^{+0.087} / _{+0.000} | 7.04 |
| MSWSHN-80X88X6 | 80 | 88 | 6 | 8.00 | 6.00 ^{+0.20} / _{+0.00} | 80.00 ^{-0.030} / _{-0.076} | 83.50 ^{+0.22} / _{+0.00} | 88.00 ^{+0.087} / _{+0.000} | 7.28 |
| MSWSHN-85X93X6 | 85 | 93 | 6 | 8.00 | 6.00 ^{+0.20} / _{+0.00} | 85.00 ^{-0.036} / _{-0.090} | 88.50 ^{+0.22} / _{+0.00} | 93.00 ^{+0.087} / _{+0.000} | 8.04 |
| MSWSHN-90X98X6 | 90 | 98 | 6 | 8.00 | 6.00 ^{+0.20} / _{+0.00} | 90.00 ^{-0.036} / _{-0.090} | 93.50 ^{+0.22} / _{+0.00} | 98.00 ^{+0.087} / _{+0.000} | 7.97 |
| MSWSHN-95X103X6 | 95 | 103 | 6 | 8.00 | 6.00 ^{+0.20} / _{+0.00} | 95.00 ^{-0.036} / _{-0.090} | 98.50 ^{+0.22} / _{+0.00} | 103.00 ^{+0.087} / _{+0.000} | 9.88 |
| MSWSHN-100X108X6 | 100 | 108 | 6 | 8.00 | 6.00 ^{+0.20} / _{+0.00} | 100.00 ^{-0.036} / _{-0.090} | 103.50 ^{+0.22} / _{+0.00} | 108.00 ^{+0.087} / _{+0.000} | 8.21 |
| MSWSHN-110X122X8.2 | 110 | 122 | 8.2 | 11.00 | 8.20 ^{+0.20} / _{+0.00} | 110.00 ^{-0.036} / _{-0.090} | 115.00 ^{+0.22} / _{+0.00} | 122.00 ^{+0.10} / _{+0.00} | 9.95 |
| MSWSHN-120X132X8.2 | 120 | 132 | 8.2 | 11.00 | 8.20 ^{+0.20} / _{+0.00} | 120.00 ^{-0.036} / _{-0.090} | 125.00 ^{+0.25} / _{+0.00} | 132.00 ^{+0.10} / _{+0.00} | 12.11 |
| MSWSHN-125X137X5.5 | 125 | 137 | 5.5 | 11.00 | 5.50 ^{+0.20} / _{+0.00} | 125.00 ^{-0.043} / _{-0.083} | 134.00 ^{±0.08} | 137.00 ^{+0.16} / _{+0.00} | 11.16 |
| MSWSHN-125X137X8.2 | 125 | 137 | 8.2 | 11.00 | 8.20 ^{+0.20} / _{+0.00} | 125.00 ^{-0.043} / _{-0.106} | 130.00 ^{+0.25} / _{+0.00} | 137.00 ^{+0.10} / _{+0.00} | 12.57 |

WIPER RINGS

Seal color may vary. Special order sizes are available. Sizes not shown and out of stock items can also be ordered for next day delivery through Seals On Demand, our custom seal program. Please call your regional sales team for assistance.

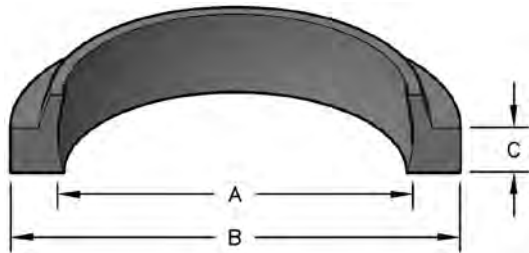
NORTH AMERICA
PHONE 1-800-777-5617
FAX 1-800-759-6391

SALES OFFICE HOURS
8 A.M. TO 7:30 P.M. EASTERN TIME
www.HerculesUS.com

WORLDWIDE
PHONE 1-727-796-1300
FAX 1-727-797-8849

STYLE MSWN SNAP-IN WIPERS

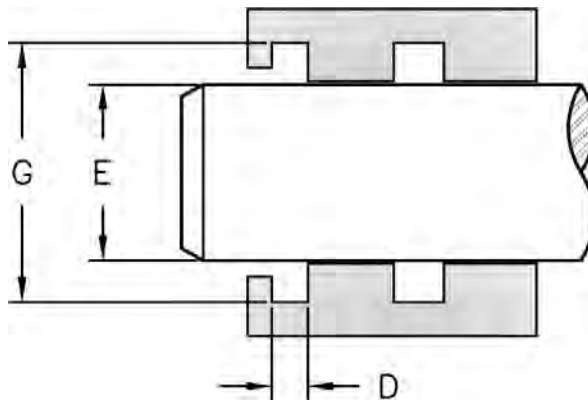
This medium duty wiper is molded in nitrile rubber.



HERCULES PART NUMBERS

MSWN - 18 X 26 X 5
 Type of Seal Inside Diameter Outside Diameter Height

| SEAL INFORMATION | |
|-------------------|-----------------|
| MATERIAL | NITRILE |
| TEMPERATURE RANGE | -22° TO +212° F |
| SPEED | 3 FT/SEC |



| Part Number | A Nom. ID | B Nom. OD | C Nom. Ht | D GROOVE WIDTH | E ROD DIAMETER | G HOUSING DIAMETER | List Price |
|----------------|--------------|--------------|--------------|------------------------|---------------------------|--------------------------|------------|
| MSWN-18X26X5 | 18 | 26 | 5 | 5.30 +0.20 +0.00 | 18.00 -0.016 -0.059 | 26.00 +0.13 +0.00 | \$2.45 |
| MSWN-20X28X4 | 20 | 28 | 4 | 4.10 +0.20 +0.00 | 20.00 -0.020 -0.072 | 28.00 +0.13 +0.00 | 4.86 |
| MSWN-28X36X4 | 28 | 36 | 4 | 4.10 +0.20 +0.00 | 28.00 -0.020 -0.072 | 36.00 +0.16 +0.00 | 5.13 |
| MSWN-30X42X6 | 30 | 42 | 6 | 6.30 +0.20 +0.00 | 30.00 -0.020 -0.072 | 42.00 +0.16 +0.00 | 3.94 |
| MSWN-32X42X5 | 32 | 40 | 5 | 5.00 +0.20 +0.00 | 32.00 -0.025 -0.087 | 40.00 +0.16 +0.00 | 7.43 |
| MSWN-32X44X6 | 32 | 44 | 6 | 6.30 +0.20 +0.00 | 32.00 -0.025 -0.087 | 44.00 +0.16 +0.00 | 3.94 |
| MSWN-35X47X6 | 35 | 47 | 6 | 6.30 +0.20 +0.00 | 35.00 -0.025 -0.087 | 47.00 +0.16 +0.00 | 7.17 |
| MSWN-36X48X6 | 36 | 48 | 6 | 6.30 +0.20 +0.00 | 36.00 -0.025 -0.087 | 48.00 +0.16 +0.00 | 4.86 |
| MSWN-38X46X5 | 38 | 46 | 5 | 5.30 +0.20 +0.00 | 38.00 -0.025 -0.087 | 46.00 +0.16 +0.00 | 13.17 |
| MSWN-40X48X3 | 40 | 48 | 3 | 3.10 +0.20 +0.00 | 40.00 -0.025 -0.087 | 48.00 +0.16 +0.00 | 11.30 |
| MSWN-40X49X3 | 40 | 49 | 3 | 3.10 +0.20 +0.00 | 40.00 -0.025 -0.087 | 49.00 +0.16 +0.00 | 12.90 |
| MSWN-40X52X6 | 40 | 52 | 6 | 6.30 +0.20 +0.00 | 40.00 -0.025 -0.087 | 52.00 +0.19 +0.00 | 4.03 |
| MSWN-45X57X4.8 | 45 | 57 | 4.8 | 5.00 +0.20 +0.00 | 45.00 -0.025 -0.087 | 57.00 +0.19 +0.00 | 14.51 |
| MSWN-45X57X6 | 45 | 57 | 6 | 6.30 +0.20 +0.00 | 45.00 -0.025 -0.087 | 57.00 +0.19 +0.00 | 4.86 |
| MSWN-50X62X5 | 50 | 62 | 5 | 5.30 +0.20 +0.00 | 50.00 -0.025 -0.087 | 62.00 +0.19 +0.00 | 10.20 |
| MSWN-50X62X6 | 50 | 62 | 6 | 6.30 +0.20 +0.00 | 50.00 -0.025 -0.087 | 62.00 +0.19 +0.00 | 4.33 |
| MSWN-55X65X5 | 55 | 65 | 5 | 5.30 +0.20 +0.00 | 55.00 -0.030 -0.104 | 65.00 +0.19 +0.00 | 4.58 |

WIPER RINGS

FORMERLY LISTED SEALS ARE AVAILABLE ONLINE AT WWW.HERCULESUS.COM
 OR BY CONTACTING YOUR REGIONAL HERCULES SALES TEAM.



STYLE MSWN SNAP-IN WIPERS

| Part Number | A Nom. ID | B Nom. OD | C Nom. Ht | D GROOVE WIDTH | E ROD DIAMETER | G HOUSING DIAMETER | List Price |
|-----------------|--------------|--------------|--------------|---|--|--|---------------|
| MSWN-55X67X6 | 55 | 67 | 6 | 6.30 ^{+0.20} / _{+0.00} | 55.00 ^{-0.030} / _{-0.104} | 67.00 ^{+0.19} / _{+0.00} | 8.13 |
| MSWN-56X66X5 | 56 | 66 | 5 | 5.30 ^{+0.20} / _{+0.00} | 56.00 ^{-0.030} / _{-0.104} | 66.00 ^{+0.19} / _{+0.00} | 3.94 |
| MSWN-60X70X5 | 60 | 70 | 5 | 5.30 ^{+0.20} / _{+0.00} | 60.00 ^{-0.030} / _{-0.104} | 70.00 ^{+0.19} / _{+0.00} | 5.67 |
| MSWN-63X73X5 | 63 | 73 | 5 | 5.30 ^{+0.20} / _{+0.00} | 63.00 ^{-0.030} / _{-0.104} | 73.00 ^{+0.19} / _{+0.00} | 4.86 |
| MSWN-65X75X5 | 65 | 75 | 5 | 5.30 ^{+0.20} / _{+0.00} | 65.00 ^{-0.030} / _{-0.104} | 75.00 ^{+0.19} / _{+0.00} | 6.22 |
| MSWN-70X80X5 | 70 | 80 | 5 | 5.30 ^{+0.20} / _{+0.00} | 70.00 ^{-0.030} / _{-0.104} | 80.00 ^{+0.19} / _{+0.00} | 5.55 |
| MSWN-70X82X6 | 70 | 82 | 6 | 6.30 ^{+0.20} / _{+0.00} | 70.00 ^{-0.030} / _{-0.104} | 82.00 ^{+0.22} / _{+0.00} | 7.44 |
| MSWN-70X82X7 | 70 | 82 | 7 | 7.10 ^{+0.20} / _{+0.00} | 70.00 ^{-0.030} / _{-0.104} | 82.00 ^{+0.22} / _{+0.00} | 5.55 |
| MSWN-75X83X5 | 75 | 83 | 5 | 5.30 ^{+0.20} / _{+0.00} | 75.00 ^{-0.030} / _{-0.104} | 83.00 ^{+0.22} / _{+0.00} | 6.32 |
| MSWN-75X87X3.8 | 75 | 87 | 3.8 | 4.00 ^{+0.20} / _{+0.00} | 75.00 ^{-0.030} / _{-0.104} | 87.00 ^{+0.22} / _{+0.00} | 17.10 |
| MSWN-80X90X6 | 80 | 90 | 6 | 6.30 ^{+0.20} / _{+0.00} | 80.00 ^{-0.030} / _{-0.104} | 90.00 ^{+0.22} / _{+0.00} | 9.91 |
| MSWN-85X97X7 | 85 | 97 | 7 | 7.10 ^{+0.20} / _{+0.00} | 85.00 ^{-0.036} / _{-0.123} | 97.00 ^{+0.22} / _{+0.00} | 6.91 |
| MSWN-90X102X7 | 90 | 102 | 7 | 7.10 ^{+0.20} / _{+0.00} | 90.00 ^{-0.036} / _{-0.123} | 102.00 ^{+0.22} / _{+0.00} | 6.88 |
| MSWN-100X112X7 | 100 | 112 | 7 | 7.10 ^{+0.20} / _{+0.00} | 100.00 ^{-0.036} / _{-0.123} | 112.00 ^{+0.22} / _{+0.00} | 7.86 |
| MSWN-105X117X7 | 105 | 117 | 7 | 7.10 ^{+0.20} / _{+0.00} | 105.00 ^{-0.036} / _{-0.123} | 117.00 ^{+0.22} / _{+0.00} | 19.20 |
| MSWN-110X122X7 | 110 | 122 | 7 | 7.10 ^{+0.20} / _{+0.00} | 110.00 ^{-0.036} / _{-0.123} | 122.00 ^{+0.25} / _{+0.00} | 9.75 |
| MSWN-140X152X7 | 140 | 152 | 7 | 7.10 ^{+0.20} / _{+0.00} | 140.00 ^{-0.043} / _{-0.143} | 152.00 ^{+0.25} / _{+0.00} | 12.72 |
| MSWN-140X155X10 | 140 | 155 | 10 | 10.20 ^{+0.20} / _{+0.00} | 140.00 ^{-0.043} / _{-0.143} | 155.00 ^{+0.25} / _{+0.00} | 12.24 |
| MSWN-160X175X10 | 160 | 175 | 10 | 10.20 ^{+0.20} / _{+0.00} | 160.00 ^{-0.043} / _{-0.143} | 175.00 ^{+0.25} / _{+0.00} | 12.98 |
| MSWN-200X220X10 | 200 | 220 | 10 | 10.20 ^{+0.20} / _{+0.00} | 200.00 ^{-0.050} / _{-0.165} | 220.00 ^{+0.29} / _{+0.00} | 13.92 |
| MSWN-240X260X10 | 240 | 260 | 10 | 10.20 ^{+0.20} / _{+0.00} | 240.00 ^{-0.050} / _{-0.165} | 260.00 ^{+0.32} / _{+0.00} | 15.47 |

WIPER RINGS

Seal color may vary. Special order sizes are available. Sizes not shown and out of stock items can also be ordered for next day delivery through Seals On Demand, our custom seal program. Please call your regional sales team for assistance.

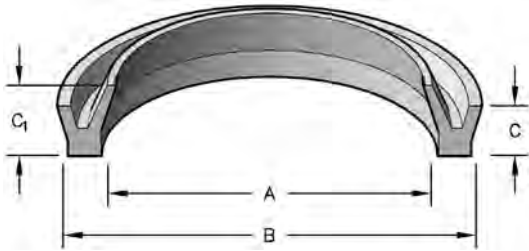
NORTH AMERICA
PHONE 1-800-777-5617
FAX 1-800-759-6391

SALES OFFICE HOURS
8 A.M. TO 7:30 P.M. EASTERN TIME
www.HerculesUS.com

WORLDWIDE
PHONE 1-727-796-1300
FAX 1-727-797-8849

STYLE CSWM SNAP-IN WIPERS

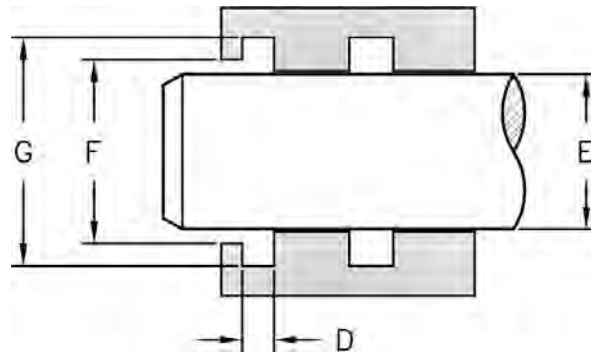
This wiper is a heavy duty scraper molded from a hard nylon material.



HERCULES PART NUMBERS

CSWM - 25 X 38 X 6
 Type of Seal Inside Diameter Outside Diameter Height

| SEAL INFORMATION | |
|-------------------|-----------------|
| MATERIAL | NYLON |
| TEMPERATURE RANGE | -40° TO +212° F |
| SPEED | 3 FT/SEC |



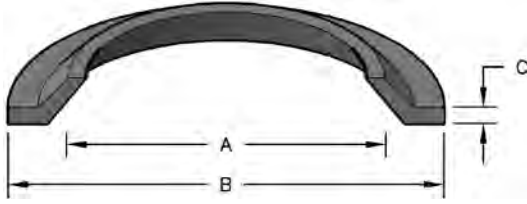
WIPER RINGS

| Part Number | A Nom. ID | B Nom. OD | C Nom. Ht | C ₁ OVERALL HEIGHT | D GROOVE WIDTH | E ROD DIAMETER | F THROAT DIAMETER | G HOUSING DIAMETER | List Price |
|----------------|--------------|--------------|--------------|----------------------------------|--|-------------------|--|--|------------|
| CSWM-25X38X6 | 25 | 38 | 6 | 8.50 | 6.00 ^{+0.25} / _{+0.00} | 25.00 | 36.50 ^{+0.10} / _{+0.00} | 38.00 ^{+0.10} / _{+0.00} | \$4.71 |
| CSWM-28X41X6 | 28 | 41 | 6 | 8.50 | 6.00 ^{+0.25} / _{+0.00} | 28.00 | 39.50 ^{+0.10} / _{+0.00} | 41.00 ^{+0.10} / _{+0.00} | 4.71 |
| CSWM-30X43X6 | 30 | 43 | 6 | 8.50 | 6.00 ^{+0.25} / _{+0.00} | 30.00 | 41.50 ^{+0.10} / _{+0.00} | 43.00 ^{+0.10} / _{+0.00} | 5.11 |
| CSWM-32X45X6 | 32 | 45 | 6 | 8.50 | 6.00 ^{+0.25} / _{+0.00} | 32.00 | 43.50 ^{+0.10} / _{+0.00} | 45.00 ^{+0.10} / _{+0.00} | 4.71 |
| CSWM-36X49X6 | 36 | 49 | 6 | 8.50 | 6.00 ^{+0.25} / _{+0.00} | 36.00 | 47.50 ^{+0.10} / _{+0.00} | 49.00 ^{+0.10} / _{+0.00} | 5.23 |
| CSWM-40X53X6 | 40 | 53 | 6 | 8.50 | 6.00 ^{+0.25} / _{+0.00} | 40.00 | 51.50 ^{+0.10} / _{+0.00} | 53.00 ^{+0.10} / _{+0.00} | 5.38 |
| CSWM-45X58X6 | 45 | 58 | 6 | 8.50 | 6.00 ^{+0.25} / _{+0.00} | 45.00 | 56.50 ^{+0.10} / _{+0.00} | 58.00 ^{+0.10} / _{+0.00} | 5.23 |
| CSWM-50X63X6 | 50 | 63 | 6 | 8.50 | 6.00 ^{+0.25} / _{+0.00} | 50.00 | 61.50 ^{+0.10} / _{+0.00} | 63.00 ^{+0.10} / _{+0.00} | 6.16 |
| CSWM-55X68X6 | 55 | 68 | 6 | 8.50 | 6.00 ^{+0.25} / _{+0.00} | 55.00 | 66.50 ^{+0.10} / _{+0.00} | 68.00 ^{+0.10} / _{+0.00} | 9.18 |
| CSWM-56X69X6 | 56 | 69 | 6 | 8.50 | 6.00 ^{+0.25} / _{+0.00} | 56.00 | 67.50 ^{+0.10} / _{+0.00} | 69.00 ^{+0.10} / _{+0.00} | 6.94 |
| CSWM-60X73X6 | 60 | 73 | 6 | 8.50 | 6.00 ^{+0.25} / _{+0.00} | 60.00 | 71.50 ^{+0.10} / _{+0.00} | 73.00 ^{+0.10} / _{+0.00} | 7.07 |
| CSWM-63X76X6 | 63 | 76 | 6 | 8.50 | 6.00 ^{+0.25} / _{+0.00} | 63.00 | 74.50 ^{+0.10} / _{+0.00} | 76.00 ^{+0.10} / _{+0.00} | 8.78 |
| CSWM-70X83X6 | 70 | 83 | 6 | 8.50 | 6.00 ^{+0.25} / _{+0.00} | 70.00 | 81.50 ^{+0.10} / _{+0.00} | 83.00 ^{+0.10} / _{+0.00} | 5.38 |
| CSWM-75X88X6 | 75 | 88 | 6 | 8.50 | 6.00 ^{+0.25} / _{+0.00} | 75.00 | 86.50 ^{+0.10} / _{+0.00} | 88.00 ^{+0.10} / _{+0.00} | 37.06 |
| CSWM-80X93X6 | 80 | 93 | 6 | 8.50 | 6.00 ^{+0.25} / _{+0.00} | 80.00 | 91.50 ^{+0.10} / _{+0.00} | 93.00 ^{+0.10} / _{+0.00} | 9.57 |
| CSWM-90X103X6 | 90 | 103 | 6 | 8.50 | 6.00 ^{+0.25} / _{+0.00} | 90.00 | 101.50 ^{+0.10} / _{+0.00} | 103.00 ^{+0.10} / _{+0.00} | 10.48 |
| CSWM-100X113X6 | 100 | 113 | 6 | 8.50 | 6.00 ^{+0.25} / _{+0.00} | 100.00 | 111.50 ^{+0.10} / _{+0.00} | 113.00 ^{+0.10} / _{+0.00} | 11.41 |

FORMERLY LISTED SEALS ARE AVAILABLE ONLINE AT WWW.HERCULESUS.COM
 OR BY CONTACTING YOUR REGIONAL HERCULES SALES TEAM.

STYLE MDK SNAP-IN WIPERS

Molded in nitrile, this wiper is for light duty applications.



HERCULES PART NUMBERS

MDK - 30 X 37.5 X 1.6
 Type of Seal Inside Diameter Outside Diameter Height

SEAL INFORMATION

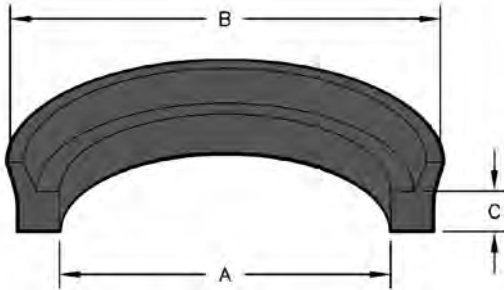
| | |
|-------------------|-----------------|
| MATERIAL | NITRILE |
| TEMPERATURE RANGE | -22° TO +212° F |
| SPEED | 3 FT/SEC |

| Part Number | A Nom. ID | B Nom. OD | C Nom. Ht | List Price |
|------------------|--------------|--------------|--------------|------------|
| MDK-25X33.6X1.6U | 25 | 33.6 | 1.6 | \$6.63 |
| MDK-30X37.5X1.6 | 30 | 37.5 | 1.6 | 9.09 |
| MDK-32X39.5X1.6 | 32 | 39.5 | 1.6 | 11.63 |
| MDK-33X40.5X1.6 | 33 | 40.5 | 1.6 | 9.19 |
| MDK-50X60X2.15 | 50 | 60 | 2.15 | 11.60 |
| MDK-55X65X2.15 | 55 | 65 | 2.15 | 24.60 |
| MDK-63X73X2.15 | 63 | 73 | 2.15 | 14.87 |
| MDK-70X80X2.15 | 70 | 80 | 2.15 | 21.99 |
| MDK-74X87X3.3 | 74 | 87 | 3.3 | 10.02 |
| MDK-80X90X2.15 | 80 | 90 | 2.15 | 18.93 |
| MDK-90X100X2.15 | 90 | 100 | 2.15 | 28.52 |
| MDK-100X110X2.15 | 100 | 110 | 2.15 | 23.92 |
| MDK-140X150X2.15 | 140 | 150 | 2.15 | 33.11 |

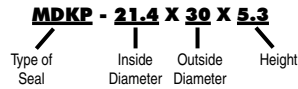
Seal color may vary. Special order sizes are available. Sizes not shown and out of stock items can also be ordered for next day delivery through Seals On Demand, our custom seal program. Please call your regional sales team for assistance.

STYLE MDKP SNAP-IN WIPERS

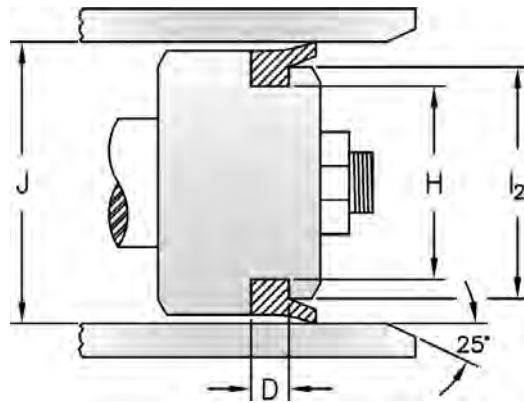
The MDKP external wiper is primarily used in single acting cylinders with an opening to the atmosphere to prevent dust and contaminants from entering the cylinder.



HERCULES PART NUMBERS



| SEAL INFORMATION | |
|-------------------|-----------------|
| MATERIAL | 93A URETHANE |
| TEMPERATURE RANGE | -22° TO +212° F |
| SPEED | 1.5 FT/SEC |



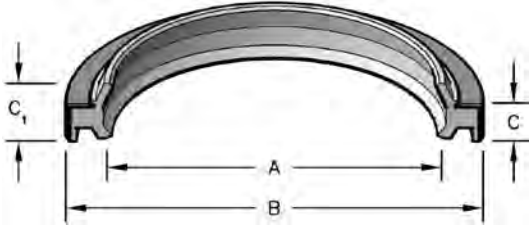
WIPER RINGS

| Part Number | A Nom. ID | B Nom. OD | C Nom. Ht | D GROOVE WIDTH | H GROOVE DIAMETER | l ₂ PISTON END DIAMETER | J BORE DIAMETER | List Price |
|--------------------|--------------|--------------|--------------|---|--|---------------------------------------|---|------------|
| MDKP-21.4X30X5.3 | 21.4 | 30 | 5.3 | 5.30 ^{+0.25} / _{+0.00} | 21.40 ^{+0.10} / _{+0.00} | 27.00 | 30.00 ^{+0.084} / _{+0.000} | \$2.41 |
| MDKP-31.4X40X5.3 | 31.4 | 40 | 5.3 | 5.30 ^{+0.25} / _{+0.00} | 31.40 ^{+0.10} / _{+0.00} | 37.00 | 40.00 ^{+0.10} / _{+0.00} | 2.75 |
| MDKP-41.4X50X5.3 | 41.4 | 50 | 5.3 | 5.30 ^{+0.25} / _{+0.00} | 41.40 ^{+0.10} / _{+0.00} | 47.00 | 50.00 ^{+0.10} / _{+0.00} | 3.11 |
| MDKP-51.4X60X5.3 | 51.4 | 60 | 5.3 | 5.30 ^{+0.25} / _{+0.00} | 51.40 ^{+0.10} / _{+0.00} | 57.00 | 60.00 ^{+0.12} / _{+0.00} | 3.79 |
| MDKP-54.4X63X5.3 | 54.4 | 63 | 5.3 | 5.30 ^{+0.25} / _{+0.00} | 54.40 ^{+0.10} / _{+0.00} | 60.00 | 63.00 ^{+0.12} / _{+0.00} | 4.02 |
| MDKP-61.4X70X5.3 | 61.4 | 70 | 5.3 | 5.30 ^{+0.25} / _{+0.00} | 61.40 ^{+0.10} / _{+0.00} | 67.00 | 70.00 ^{+0.12} / _{+0.00} | 4.14 |
| MDKP-71.4X80X5.3 | 71.4 | 80 | 5.3 | 5.30 ^{+0.25} / _{+0.00} | 71.40 ^{+0.10} / _{+0.00} | 77.00 | 80.00 ^{+0.12} / _{+0.00} | 4.25 |
| MDKP-81.4X90X5.3 | 81.4 | 90 | 5.3 | 5.30 ^{+0.25} / _{+0.00} | 81.40 ^{+0.10} / _{+0.00} | 87.00 | 90.00 ^{+0.14} / _{+0.00} | 4.60 |
| MDKP-86.4X95X5.3 | 86.4 | 95 | 5.3 | 5.30 ^{+0.25} / _{+0.00} | 86.40 ^{+0.10} / _{+0.00} | 92.00 | 95.00 ^{+0.14} / _{+0.00} | 5.05 |
| MDKP-88X100X7.5 | 88 | 100 | 7.5 | 7.50 ^{+0.25} / _{+0.00} | 88.00 ^{+0.10} / _{+0.00} | 94.00 | 100.00 ^{+0.14} / _{+0.00} | 5.17 |
| MDKP-91.4X100X5.3 | 91.4 | 100 | 5.3 | 5.30 ^{+0.25} / _{+0.00} | 91.40 ^{+0.10} / _{+0.00} | 97.00 | 100.00 ^{+0.14} / _{+0.00} | 5.17 |
| MDKP-101.4X110X5.3 | 101.4 | 110 | 5.3 | 5.30 ^{+0.25} / _{+0.00} | 101.40 ^{+0.10} / _{+0.00} | 107.00 | 110.00 ^{+0.14} / _{+0.00} | 5.52 |
| MDKP-100X115X10 | 100 | 115 | 10 | 10.00 ^{+0.25} / _{+0.00} | 100.00 ^{+0.10} / _{+0.00} | 107.50 | 115.00 ^{+0.14} / _{+0.00} | 5.76 |
| MDKP-107X115X5 | 107 | 115 | 5 | 5.00 ^{+0.25} / _{+0.00} | 107.00 ^{+0.10} / _{+0.00} | 111.00 | 115.00 ^{+0.14} / _{+0.00} | 5.76 |
| MDKP-111.4X120X5.3 | 111.4 | 120 | 5.3 | 5.30 ^{+0.25} / _{+0.00} | 111.40 ^{+0.10} / _{+0.00} | 117.00 | 120.00 ^{+0.14} / _{+0.00} | 5.98 |
| MDKP-121.4X130X5.3 | 121.4 | 130 | 5.3 | 5.30 ^{+0.25} / _{+0.00} | 121.40 ^{+0.10} / _{+0.00} | 127.00 | 130.00 ^{+0.16} / _{+0.00} | 7.81 |

FORMERLY LISTED SEALS ARE AVAILABLE ONLINE AT WWW.HERCULESUS.COM
OR BY CONTACTING YOUR REGIONAL HERCULES SALES TEAM.

STYLE MCKBI METAL CLAD WIPERS

Utilizing a double lip of urethane bonded to a carbon steel case, this wiper prevents contaminant ingress at the wiping lip and around the outer case.

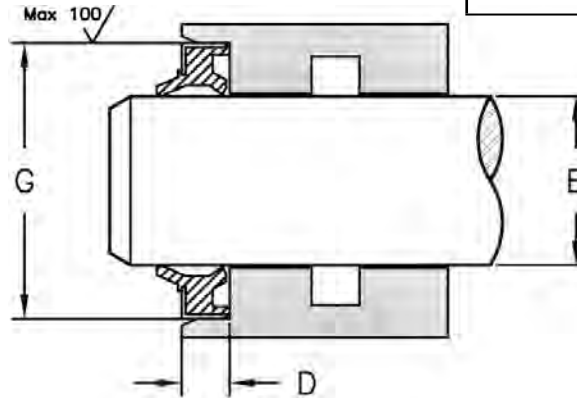


HERCULES PART NUMBERS

MCKBI - 20 X 32 X 6
 Type of Seal Rod Diameter Groove Diameter Height

SEAL INFORMATION

| | |
|-------------------|-----------------|
| MATERIAL | URETHANE |
| TEMPERATURE RANGE | -30° TO +200° F |
| SPEED | 3 FT/SEC |



| Part Number | A Nom. ID | B Nom. OD | C Nom. Ht | C ₁ OVERALL HEIGHT | D GROOVE WIDTH | E ROD DIAMETER | G HOUSING DIAMETER | List Price |
|-----------------|--------------|--------------|--------------|----------------------------------|------------------------|---------------------------|---------------------------|------------|
| MCKBI-20X32X6 | 20 | 32 | 6 | 9.00 | 6.00 +0.50 -0.30 | 20.00 -0.020 -0.053 | 32.00 +0.039 +0.000 | \$5.36 |
| MCKBI-25X37X6 | 25 | 37 | 6 | 9.00 | 6.00 +0.50 -0.30 | 25.00 -0.020 -0.053 | 37.00 +0.039 +0.000 | 7.57 |
| MCKBZ-25X37X6/9 | 25 | 37 | 6 | 9.00 | 6.00 +0.50 +0.00 | 25.00 -0.020 -0.053 | 37.00 +0.039 +0.000 | 13.97 |
| MCKBI-30X42X6 | 30 | 42 | 6 | 9.00 | 6.00 +0.50 -0.30 | 30.00 -0.020 -0.053 | 42.00 +0.039 +0.000 | 16.95 |
| MCKBI-35X47X7 | 35 | 47 | 7 | 10.00 | 7.00 +0.50 -0.30 | 35.00 -0.025 -0.064 | 47.00 +0.039 +0.000 | 17.88 |
| MCKBI-40X50X7 | 40 | 50 | 7 | 10.00 | 7.00 +0.50 -0.30 | 40.00 -0.025 -0.064 | 50.00 +0.039 +0.000 | 20.09 |
| MCKBI-40X52X7 | 40 | 52 | 7 | 10.00 | 7.00 +0.50 -0.30 | 40.00 -0.025 -0.064 | 52.00 +0.046 +0.000 | 21.86 |
| MCKBI-45X57X7 | 45 | 57 | 7 | 10.00 | 7.00 +0.50 -0.30 | 45.00 -0.025 -0.064 | 57.00 +0.046 +0.000 | 23.72 |
| MCKBI-50X60X7 | 50 | 60 | 7 | 10.00 | 7.00 +0.50 -0.30 | 50.00 -0.025 -0.064 | 60.00 +0.046 +0.000 | 21.77 |
| MCKBI-50X62X7 | 50 | 62 | 7 | 10.00 | 7.00 +0.50 -0.30 | 50.00 -0.025 -0.064 | 62.00 +0.046 +0.000 | 24.03 |
| MCKBI-55X69X8 | 55 | 69 | 8 | 11.00 | 8.00 +0.60 -0.40 | 55.00 -0.030 -0.076 | 69.00 +0.046 +0.000 | 28.61 |
| MCKBI-60X74X8 | 60 | 74 | 8 | 11.00 | 8.00 +0.60 -0.40 | 60.00 -0.030 -0.076 | 74.00 +0.046 +0.000 | 31.01 |
| MCKBI-65X79X8 | 65 | 79 | 8 | 11.00 | 8.00 +0.60 -0.40 | 65.00 -0.030 -0.076 | 79.00 +0.046 +0.000 | 32.87 |
| MCKBI-70X82X7 | 70 | 82 | 7 | 10.00 | 7.00 +0.50 -0.30 | 70.00 -0.030 -0.076 | 82.00 +0.054 +0.000 | 34.08 |
| MCKBI-70X84X8 | 70 | 84 | 8 | 11.00 | 8.00 +0.60 -0.40 | 70.00 -0.030 -0.076 | 84.00 +0.054 +0.000 | 35.28 |
| MCKBI-75X87X7 | 75 | 87 | 7 | 10.00 | 7.00 +0.50 -0.30 | 75.00 -0.030 -0.076 | 87.00 +0.054 +0.000 | 36.09 |
| MCKBI-75X89X8 | 75 | 89 | 8 | 11.00 | 8.00 +0.60 -0.40 | 75.00 -0.030 -0.076 | 89.00 +0.054 +0.000 | 37.92 |



STYLE MCKBI METAL CLAD WIPERS

WIPER RINGS

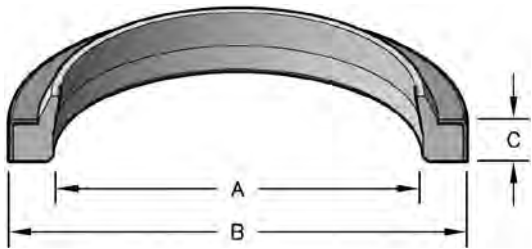
| Part Number | A Nom. ID | B Nom. OD | C Nom. Ht | C ₁ OVERALL HEIGHT | D GROOVE WIDTH | E ROD DIAMETER | G HOUSING DIAMETER | List Price |
|---------------------|--------------|--------------|--------------|----------------------------------|-------------------------|----------------------------|----------------------------|---------------|
| MCKBI-80X92X7 | 80 | 92 | 7 | 10.00 | 7.00 +0.50 -0.30 | 80.00 -0.030 -0.076 | 92.00 +0.054 +0.000 | 43.15 |
| MCKBI-80X94X8 | 80 | 94 | 8 | 11.00 | 8.00 +0.60 -0.40 | 80.00 -0.030 -0.076 | 94.00 +0.054 +0.000 | 44.73 |
| MCKBI-85X97X7 | 85 | 97 | 7 | 10.00 | 7.00 +0.50 -0.30 | 85.00 -0.036 -0.090 | 97.00 +0.054 +0.000 | 42.01 |
| MCKBI-85X99X8 | 85 | 99 | 8 | 11.00 | 8.00 +0.60 -0.40 | 85.00 -0.036 -0.090 | 99.00 +0.054 +0.000 | 50.77 |
| MCKBI-90X100X7 | 90 | 100 | 7 | 10.00 | 7.00 +0.50 -0.30 | 90.00 -0.036 -0.090 | 100.00 +0.054 +0.000 | 51.18 |
| MCKBI-90X104X8 | 90 | 104 | 8 | 11.00 | 8.00 +0.60 -0.40 | 90.00 -0.036 -0.090 | 104.00 +0.054 +0.000 | 54.89 |
| MCKBI-95X109X8 | 95 | 109 | 8 | 11.00 | 8.00 +0.60 -0.40 | 95.00 -0.036 -0.090 | 109.00 +0.054 +0.000 | 28.52 |
| MCKBI-100X114X8 | 100 | 114 | 8 | 11.00 | 8.00 +0.60 -0.40 | 100.00 -0.036 -0.090 | 114.00 +0.054 +0.000 | 57.63 |
| MCKBI-105X121X9 | 105 | 121 | 9 | 12.00 | 9.00 +0.60 -0.40 | 105.00 -0.036 -0.090 | 121.00 +0.063 +0.000 | 55.68 |
| MCKBI-110X126X9 | 110 | 126 | 9 | 12.00 | 9.00 +0.60 -0.40 | 110.00 -0.036 -0.090 | 126.00 +0.063 +0.000 | 59.03 |
| MCKBZ-110X126X9/13 | 110 | 126 | 9 | 13.00 | 9.00 +0.60 +0.40 | 110.00 -0.036 -0.090 | 126.00 +0.063 +0.000 | 93.33 |
| MCKBI-115X127X9 | 115 | 127 | 9 | 13.00 | 9.00 +0.60 -0.40 | 115.00 -0.036 -0.090 | 127.00 +0.063 +0.000 | 60.70 |
| MCKBI-115X131X9 | 115 | 131 | 9 | 12.00 | 9.00 +0.60 -0.40 | 115.00 -0.036 -0.090 | 131.00 +0.063 +0.000 | 25.70 |
| MCKBZ-115X131X9/12 | 115 | 131 | 9 | 12.00 | 10.00 +0.25 +0.10 | 115.00 -0.036 -0.071 | 131.00 +0.04 +0.00 | 28.18 |
| MCKBI-120X136X9 | 120 | 136 | 9 | 12.00 | 9.00 +0.60 -0.40 | 120.00 -0.036 -0.090 | 136.00 +0.063 +0.000 | 64.60 |
| MCKBZ-120X136X9/13 | 120 | 136 | 9 | 13.00 | 9.00 +0.60 +0.40 | 120.00 -0.036 -0.090 | 136.00 +0.063 +0.000 | 111.22 |
| MCKBI-130X146X9 | 130 | 146 | 9 | 12.00 | 9.00 +0.60 -0.40 | 130.00 -0.043 -0.106 | 146.00 +0.063 +0.000 | 70.69 |
| MCKBI-135X155X10 | 135 | 155 | 10 | 14.00 | 10.00 +0.60 -0.40 | 135.00 -0.043 -0.106 | 155.00 +0.063 +0.000 | 54.21 |
| MCKBI-140X160X10 | 140 | 160 | 10 | 14.00 | 10.00 +0.60 -0.40 | 140.00 -0.043 -0.106 | 160.00 +0.063 +0.000 | 72.43 |
| MCKBZ-140X160X10/15 | 140 | 160 | 10 | 15.00 | 10.00 +0.60 +0.40 | 140.00 -0.043 -0.106 | 160.00 +0.063 +0.000 | 115.74 |
| MCKBI-145X165X10 | 145 | 165 | 10 | 14.00 | 10.00 +0.60 -0.40 | 145.00 -0.043 -0.106 | 165.00 +0.063 +0.000 | 73.66 |
| MCKBI-150X170X10 | 150 | 170 | 10 | 14.00 | 10.00 +0.60 -0.40 | 150.00 -0.043 -0.106 | 170.00 +0.063 +0.000 | 75.95 |
| MCKBI-155X175X10 | 155 | 175 | 10 | 14.00 | 10.00 +0.60 -0.40 | 155.00 -0.043 -0.106 | 175.00 +0.063 +0.000 | 76.78 |
| MCKBI-160X180X10 | 160 | 180 | 10 | 14.00 | 10.00 +0.60 -0.40 | 160.00 -0.043 -0.106 | 180.00 +0.063 +0.000 | 93.66 |
| MCKBI-165X185X10 | 165 | 185 | 10 | 14.00 | 10.00 +0.60 -0.40 | 165.00 -0.043 -0.106 | 185.00 +0.072 +0.000 | 60.44 |
| MCKBI-170X190X10 | 170 | 190 | 10 | 14.00 | 10.00 +0.60 -0.40 | 170.00 -0.043 -0.106 | 190.00 +0.072 +0.000 | 104.45 |
| MCKBI-170X190X10-LT | 170 | 190 | 10 | 14.00 | 10.00 +0.60 -0.40 | 170.00 -0.043 -0.106 | 190.00 +0.072 +0.000 | 236.96 |
| MCKBI-180X200X10 | 180 | 200 | 10 | 14.00 | 10.00 +0.60 +0.40 | 180.00 -0.043 -0.106 | 200.00 +0.072 +0.000 | 119.00 |
| MCKBI-180X205X12 | 180 | 205 | 12 | 20.08 | 12.00 +0.60 +0.40 | 180.00 -0.043 -0.106 | 205.00 +0.072 +0.000 | 103.06 |
| MCKBI-190X205X9 | 190 | 205 | 9 | 12.00 | 9.00 +0.60 -0.40 | 190.00 -0.050 -0.122 | 205.00 +0.072 +0.000 | 110.87 |
| MCKBI-200X216X8 | 200 | 216 | 8 | 11.00 | 8.00 +0.60 -0.40 | 200.00 -0.050 -0.122 | 216.00 +0.072 +0.000 | 123.72 |

FORMERLY LISTED SEALS ARE AVAILABLE ONLINE AT WWW.HERCULESUS.COM
OR BY CONTACTING YOUR REGIONAL HERCULES SALES TEAM.



STYLE MCW METAL CLAD WIPERS

This wiper is a single lip design molded from high grade urethane and bonded to a carbon steel case.

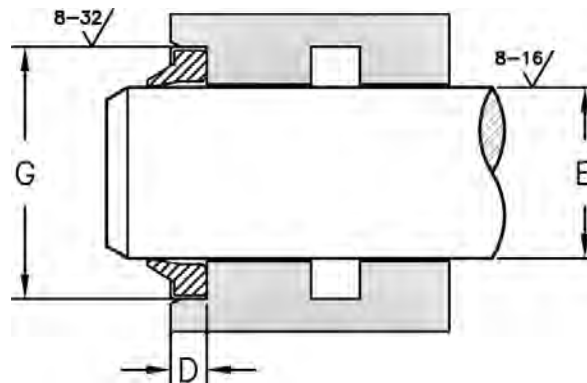


HERCULES PART NUMBERS

MCW - 25 X 37 X 6
 Type of Seal A - Inside Diameter B - Outside Diameter C - Ht

SEAL INFORMATION

| | |
|-------------------|-----------------|
| MATERIAL | URETHANE |
| TEMPERATURE RANGE | -30° TO +200° F |
| SPEED | 3 FT/SEC |



WIPER RINGS

| Part Number | A Nom. ID | B Nom. OD | C Nom. Ht | D GROOVE WIDTH | E ROD DIAMETER | G HOUSING DIAMETER | List Price |
|-------------|--------------|--------------|--------------|------------------------|---------------------------|---------------------------|---------------|
| MCW-25X37X6 | 25 | 37 | 6 | 6.00 +0.50 -0.30 | 25.00 -0.020 -0.053 | 37.00 +0.039 +0.000 | \$ 16.00 |
| MCW-28X38X5 | 28 | 38 | 5 | 5.00 +0.50 -0.30 | 28.00 -0.020 -0.053 | 38.00 +0.039 +0.000 | 7.81 |
| MCW-30X42X6 | 30 | 42 | 6 | 6.00 +0.50 -0.30 | 30.00 -0.020 -0.053 | 42.00 +0.039 +0.000 | 16.00 |
| MCW-30X45X7 | 30 | 45 | 7 | 7.00 +0.50 -0.30 | 30.00 -0.020 -0.053 | 45.00 +0.039 +0.000 | 19.22 |
| MCW-32X44X7 | 32 | 44 | 7 | 7.00 +0.50 -0.30 | 32.00 -0.025 -0.064 | 44.00 +0.039 +0.000 | 20.79 |
| MCW-32X45X7 | 32 | 45 | 7 | 7.00 +0.50 -0.30 | 32.00 -0.025 -0.064 | 45.00 +0.039 +0.000 | 19.51 |
| MCW-32X52X8 | 32 | 52 | 8 | 8.00 +0.60 -0.40 | 32.00 -0.025 -0.064 | 52.00 +0.046 +0.000 | 27.07 |
| MCW-35X47X7 | 35 | 47 | 7 | 7.00 +0.50 -0.30 | 35.00 -0.025 -0.064 | 47.00 +0.039 +0.000 | 16.88 |
| MCW-38X50X7 | 38 | 50 | 7 | 7.00 +0.50 -0.30 | 38.00 -0.025 -0.064 | 50.00 +0.039 +0.000 | 28.39 |
| MCW-40X52X7 | 40 | 52 | 7 | 7.00 +0.50 -0.30 | 40.00 -0.025 -0.064 | 52.00 +0.046 +0.000 | 20.63 |
| MCW-45X57X7 | 45 | 57 | 7 | 7.00 +0.50 -0.30 | 45.00 -0.025 -0.064 | 57.00 +0.046 +0.000 | 22.50 |
| MCW-50X62X7 | 50 | 62 | 7 | 7.00 +0.50 -0.30 | 50.00 -0.025 -0.064 | 62.00 +0.046 +0.000 | 23.63 |
| MCW-55X69X8 | 55 | 69 | 8 | 8.00 +0.60 -0.40 | 55.00 -0.030 -0.076 | 69.00 +0.046 +0.000 | 27.00 |
| MCW-56X70X8 | 56 | 70 | 8 | 8.00 +0.60 -0.40 | 56.00 -0.030 -0.076 | 70.00 +0.046 +0.000 | 27.07 |
| MCW-60X74X8 | 60 | 74 | 8 | 8.00 +0.60 -0.40 | 60.00 -0.030 -0.076 | 74.00 +0.046 +0.000 | 29.26 |
| MCW-63X77X8 | 63 | 77 | 8 | 8.00 +0.60 -0.40 | 63.00 -0.030 -0.076 | 77.00 +0.046 +0.000 | 11.30 |
| MCW-65X79X8 | 65 | 79 | 8 | 8.00 +0.60 -0.40 | 65.00 -0.030 -0.076 | 79.00 +0.046 +0.000 | 31.03 |

NORTH AMERICA
 PHONE 1-800-777-5617
 FAX 1-800-759-6391

SALES OFFICE HOURS
 8 A.M. TO 7:30 P.M. EASTERN TIME
 www.HerculesUS.com

WORLDWIDE
 PHONE 1-727-796-1300
 FAX 1-727-797-8849



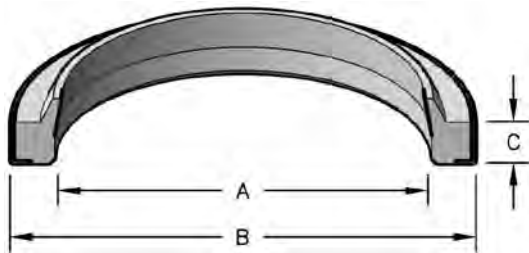
STYLE MCW METAL CLAD WIPERS

| Part Number | A Nom. ID | B Nom. OD | C Nom. Ht | D GROOVE WIDTH | E ROD DIAMETER | G HOUSING DIAMETER | List Price |
|-------------------|--------------|--------------|--------------|---|--|--|---------------|
| MCW-70X84X8 | 70 | 84 | 8 | 8.00 ^{+0.60} / _{-0.40} | 70.00 ^{-0.030} / _{-0.076} | 84.00 ^{+0.054} / _{+0.000} | 33.30 |
| MCW-75X89X8 | 75 | 89 | 8 | 8.00 ^{+0.60} / _{-0.40} | 75.00 ^{-0.030} / _{-0.076} | 89.00 ^{+0.054} / _{+0.000} | 35.80 |
| MCW-80X94X8 | 80 | 94 | 8 | 8.00 ^{+0.60} / _{-0.40} | 80.00 ^{-0.030} / _{-0.076} | 94.00 ^{+0.054} / _{+0.000} | 42.22 |
| MCW-85X99X8 | 85 | 99 | 8 | 8.00 ^{+0.60} / _{-0.40} | 85.00 ^{-0.036} / _{-0.090} | 99.00 ^{+0.054} / _{+0.000} | 47.92 |
| MCW-90X104X8 | 90 | 104 | 8 | 8.00 ^{+0.60} / _{-0.40} | 90.00 ^{-0.036} / _{-0.090} | 104.00 ^{+0.054} / _{+0.000} | 51.80 |
| MCW-95X109X8 | 95 | 109 | 8 | 8.00 ^{+0.60} / _{-0.40} | 95.00 ^{-0.036} / _{-0.090} | 109.00 ^{+0.054} / _{+0.000} | 52.98 |
| MCW-100X114X8 | 100 | 114 | 8 | 8.00 ^{+0.60} / _{-0.40} | 100.00 ^{-0.036} / _{-0.090} | 114.00 ^{+0.054} / _{+0.000} | 54.39 |
| MCW-105X119X9 | 105 | 119 | 9 | 9.00 ^{+0.60} / _{-0.40} | 105.00 ^{-0.036} / _{-0.090} | 119.00 ^{+0.054} / _{+0.000} | 55.35 |
| MCW-105X121X9 | 105 | 121 | 9 | 9.00 ^{+0.60} / _{-0.40} | 105.00 ^{-0.036} / _{-0.090} | 121.00 ^{+0.063} / _{+0.000} | 52.56 |
| MCW-110X126X9 | 110 | 126 | 9 | 9.00 ^{+0.60} / _{-0.40} | 110.00 ^{-0.036} / _{-0.090} | 126.00 ^{+0.063} / _{+0.000} | 55.72 |
| MCW-115X131X9 | 115 | 131 | 9 | 9.00 ^{+0.60} / _{-0.40} | 115.00 ^{-0.036} / _{-0.090} | 131.00 ^{+0.063} / _{+0.000} | 49.28 |
| MCW-120X130X7-860 | 120 | 130 | 7 | 7.00 ^{+0.50} / _{+0.00} | 120.00 ^{-0.036} / _{-0.123} | 130.00 ^{+0.063} / _{+0.000} | 33.55 |
| MCW-120X136X9 | 120 | 136 | 9 | 9.00 ^{+0.60} / _{-0.40} | 120.00 ^{-0.036} / _{-0.090} | 136.00 ^{+0.063} / _{+0.000} | 60.97 |
| MCW-130X146X9 | 130 | 146 | 9 | 9.00 ^{+0.60} / _{-0.40} | 130.00 ^{-0.043} / _{-0.106} | 146.00 ^{+0.063} / _{+0.000} | 66.72 |
| MCW-140X160X10 | 140 | 160 | 10 | 10.00 ^{+0.60} / _{-0.40} | 140.00 ^{-0.043} / _{-0.106} | 160.00 ^{+0.063} / _{+0.000} | 68.36 |
| MCW-150X170X10 | 150 | 170 | 10 | 10.00 ^{+0.60} / _{-0.40} | 150.00 ^{-0.043} / _{-0.106} | 170.00 ^{+0.063} / _{+0.000} | 71.68 |
| MCW-160X180X10 | 160 | 180 | 10 | 10.00 ^{+0.60} / _{-0.40} | 160.00 ^{-0.043} / _{-0.106} | 180.00 ^{+0.063} / _{+0.000} | 88.39 |
| MCW-180X205X12 | 180 | 205 | 12 | 12.00 ^{+0.70} / _{-0.50} | 180.00 ^{-0.043} / _{-0.106} | 205.00 ^{+0.072} / _{+0.000} | 80.02 |

WIPER RINGS

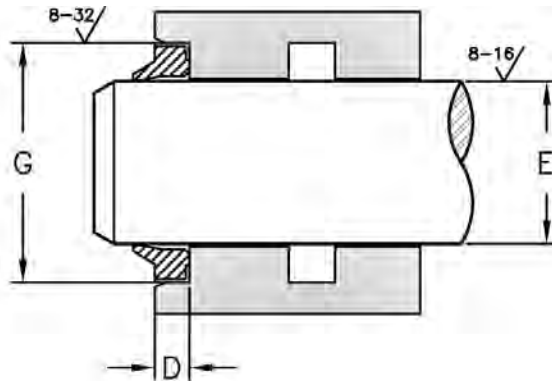
STYLE MCWE METAL CLAD WIPERS

This wiper is molded from high grade urethane and bonded to a carbon steel case in a single lip design.



HERCULES PART NUMBERS

MCWE - 12 X 20 X 4
 Type of Seal A - Inside Diameter B - Outside Diameter C - Ht



SEAL INFORMATION

| | |
|-------------------|-----------------|
| MATERIAL | URETHANE |
| TEMPERATURE RANGE | -40° TO +200° F |
| SPEED | 3 FT/SEC |

| Part Number | A Nom. ID | B Nom. OD | C Nom. Ht | D GROOVE WIDTH | E ROD DIAMETER | G HOUSING DIAMETER | List Price |
|----------------|--------------|--------------|--------------|------------------------|---------------------------|---------------------------|---------------|
| MCWE-12X20X4 | 12 | 20 | 4 | 4.50 +0.50 +0.00 | 12.00 -0.016 -0.034 | 20.00 +0.033 +0.000 | \$ 13.04 |
| MCWE-20X28X3.5 | 20 | 28 | 3.5 | 4.00 +0.50 +0.00 | 20.00 -0.020 -0.041 | 28.00 +0.033 +0.000 | 12.50 |
| MCWE-20X30X5 | 20 | 30 | 5 | 5.50 +0.50 +0.00 | 20.00 -0.020 -0.041 | 30.00 +0.033 +0.000 | 19.88 |
| MCWE-20X30X7 | 20 | 30 | 7 | 7.50 +0.50 +0.00 | 20.00 -0.020 -0.041 | 30.00 +0.033 +0.000 | 16.63 |
| MCWE-25X35X7 | 25 | 35 | 7 | 7.50 +0.50 +0.00 | 25.00 -0.020 -0.041 | 35.00 +0.039 +0.000 | 19.55 |
| MCWE-28X38X7 | 28 | 38 | 7 | 7.50 +0.50 +0.00 | 28.00 -0.020 -0.041 | 38.00 +0.039 +0.000 | 19.64 |
| MCWE-30X40X5 | 30 | 40 | 5 | 5.50 +0.50 +0.00 | 30.00 -0.020 -0.041 | 40.00 +0.039 +0.000 | 21.38 |
| MCWE-30X40X7 | 30 | 40 | 7 | 7.50 +0.50 +0.00 | 30.00 -0.020 -0.041 | 40.00 +0.039 +0.000 | 21.38 |
| MCWE-32X42X7 | 32 | 42 | 7 | 7.50 +0.50 +0.00 | 32.00 -0.025 -0.050 | 42.00 +0.039 +0.000 | 21.74 |
| MCWE-32X45X7 | 32 | 45 | 7 | 7.50 +0.50 +0.00 | 32.00 -0.025 -0.050 | 45.00 +0.039 +0.000 | 21.59 |
| MCWE-35X45X7 | 35 | 45 | 7 | 7.50 +0.50 +0.00 | 35.00 -0.025 -0.050 | 45.00 +0.039 +0.000 | 21.92 |
| MCWE-36X45X7 | 36 | 45 | 7 | 7.50 +0.50 +0.00 | 36.00 -0.025 -0.050 | 45.00 +0.039 +0.000 | 24.28 |
| MCWE-36X46X7 | 36 | 46 | 7 | 7.50 +0.50 +0.00 | 36.00 -0.025 -0.050 | 46.00 +0.039 +0.000 | 22.13 |
| MCWE-40X50X7 | 40 | 50 | 7 | 7.50 +0.50 +0.00 | 40.00 -0.025 -0.050 | 50.00 +0.039 +0.000 | 22.35 |
| MCWE-42X52X7 | 42 | 52 | 7 | 7.50 +0.50 +0.00 | 42.00 -0.025 -0.050 | 52.00 +0.046 +0.000 | 23.23 |
| MCWE-45X55X7 | 45 | 55 | 7 | 7.50 +0.50 +0.00 | 45.00 -0.025 -0.050 | 55.00 +0.046 +0.000 | 22.89 |
| MCWE-50X60X7 | 50 | 60 | 7 | 7.50 +0.50 +0.00 | 50.00 -0.025 -0.050 | 60.00 +0.046 +0.000 | 23.77 |
| MCWE-55X65X7 | 55 | 65 | 7 | 7.50 +0.50 +0.00 | 55.00 -0.03 -0.06 | 65.00 +0.046 +0.000 | 24.65 |



STYLE MCWE METAL CLAD WIPERS

| Part Number | A Nom. ID | B Nom. OD | C Nom. Ht | D GROOVE WIDTH | E ROD DIAMETER | G HOUSING DIAMETER | List Price |
|----------------|--------------|--------------|--------------|------------------------|----------------------------|----------------------------|---------------|
| MCWE-56X66X7 | 56 | 66 | 7 | 7.50 +0.50 +0.00 | 56.00 -0.03 -0.06 | 66.00 +0.046 +0.000 | 25.03 |
| MCWE-60X70X7 | 60 | 70 | 7 | 7.50 +0.50 +0.00 | 60.00 -0.03 -0.06 | 70.00 +0.046 +0.000 | 25.41 |
| MCWE-63X75X7 | 63 | 75 | 7 | 7.50 +0.50 +0.00 | 63.00 -0.03 -0.06 | 75.00 +0.046 +0.000 | 25.78 |
| MCWE-65X75X7 | 65 | 75 | 7 | 7.50 +0.50 +0.00 | 65.00 -0.03 -0.06 | 75.00 +0.046 +0.000 | 25.82 |
| MCWE-70X80X7 | 70 | 80 | 7 | 7.50 +0.50 +0.00 | 70.00 -0.03 -0.06 | 80.00 +0.046 +0.000 | 26.39 |
| MCWE-80X90X7 | 80 | 90 | 7 | 7.50 +0.50 +0.00 | 80.00 -0.03 -0.06 | 90.00 +0.054 +0.000 | 27.16 |
| MCWE-85X95X7 | 85 | 95 | 7 | 7.50 +0.50 +0.00 | 85.00 -0.036 -0.071 | 95.00 +0.054 +0.000 | 28.03 |
| MCWE-90X100X7 | 90 | 100 | 7 | 7.50 +0.50 +0.00 | 90.00 -0.036 -0.071 | 100.00 +0.054 +0.000 | 29.33 |
| MCWE-100X110X7 | 100 | 110 | 7 | 7.50 +0.50 +0.00 | 100.00 -0.036 -0.071 | 110.00 +0.054 +0.000 | 31.60 |
| MCWE-105X115X7 | 105 | 115 | 7 | 7.50 +0.50 +0.00 | 105.00 -0.036 -0.071 | 115.00 +0.054 +0.000 | 44.23 |
| MCWE-110X120X7 | 110 | 120 | 7 | 7.50 +0.50 +0.00 | 110.00 -0.036 -0.071 | 120.00 +0.054 +0.000 | 49.79 |
| MCWE-115X125X7 | 115 | 125 | 7 | 7.50 +0.50 +0.00 | 115.00 -0.036 -0.071 | 125.00 +0.063 +0.000 | 55.50 |
| MCWE-120X130X7 | 120 | 130 | 7 | 7.50 +0.50 +0.00 | 120.00 -0.036 -0.071 | 130.00 +0.063 +0.000 | 60.94 |
| MCWE-130X146X9 | 130 | 146 | 9 | 9.50 +0.50 +0.00 | 130.00 -0.043 -0.083 | 146.00 +0.063 +0.000 | 37.80 |

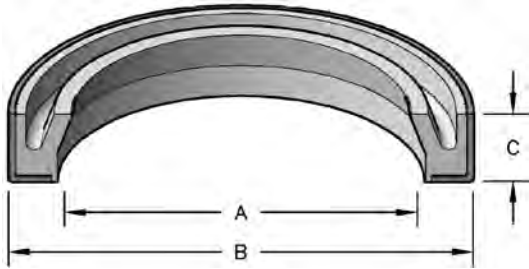
WIPER RINGS

Seal color may vary. Special order sizes are available. Please call your regional sales team for assistance.

FORMERLY LISTED SEALS ARE AVAILABLE ONLINE AT WWW.HERCULESUS.COM
OR BY CONTACTING YOUR REGIONAL HERCULES SALES TEAM.

STYLE MCWI METAL CLAD WIPERS

This wiper is a single lip design molded from high grade urethane and bonded to a carbon steel case.

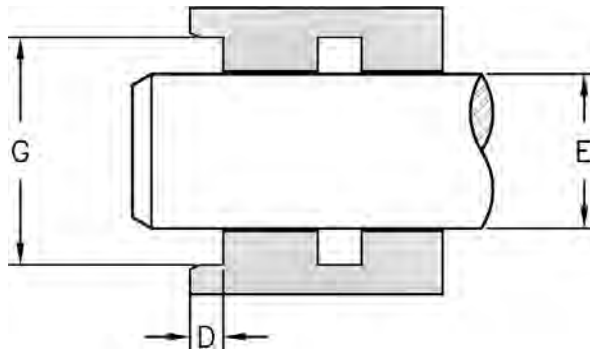


HERCULES PART NUMBERS

MCWI - 35 X 47 X Z
 Type of Seal Inside Diameter Outside Diameter Height

SEAL INFORMATION

| | |
|-------------------|-----------------|
| MATERIAL | URETHANE |
| TEMPERATURE RANGE | -30° TO +200° F |
| SPEED | 3 FT/SEC |



| Part Number | A Nom. ID | B Nom. OD | C Nom. Ht | D GROOVE WIDTH | E ROD DIAMETER | G HOUSING DIAMETER | List Price |
|----------------|--------------|--------------|--------------|--|---|---|---------------|
| MCWI-35X47X7 | 35 | 47 | 7 | 7.00 ^{+0.50} / _{-0.30} | 35.00 ^{-0.025} / _{-0.064} | 47.00 ^{+0.039} / _{+0.000} | \$5.00 |
| MCWI-35X50X9 | 35 | 50 | 9 | 9.00 ^{+0.60} / _{-0.40} | 35.00 ^{-0.025} / _{-0.064} | 50.00 ^{+0.039} / _{+0.000} | 24.24 |
| MCWI-40X52X6 | 40 | 52 | 6 | 6.00 ^{+0.50} / _{-0.30} | 40.00 ^{-0.025} / _{-0.064} | 52.00 ^{+0.046} / _{+0.000} | 12.57 |
| MCWI-40X52X7 | 40 | 52 | 7 | 7.00 ^{+0.50} / _{-0.30} | 40.00 ^{-0.025} / _{-0.064} | 52.00 ^{+0.046} / _{+0.000} | 13.27 |
| MCWI-40X55X9 | 40 | 55 | 9 | 9.00 ^{+0.60} / _{-0.40} | 40.00 ^{-0.025} / _{-0.064} | 55.00 ^{+0.046} / _{+0.000} | 21.35 |
| MCWI-45X57X7 | 45 | 57 | 7 | 7.00 ^{+0.50} / _{-0.30} | 45.00 ^{-0.025} / _{-0.064} | 57.00 ^{+0.046} / _{+0.000} | 9.39 |
| MCWI-45X60X7.5 | 45 | 60 | 7.5 | 7.50 ^{+0.60} / _{-0.40} | 45.00 ^{-0.025} / _{-0.064} | 60.00 ^{+0.046} / _{+0.000} | 28.04 |
| MCWI-45X60X9 | 45 | 60 | 9 | 9.00 ^{+0.60} / _{-0.40} | 45.00 ^{-0.025} / _{-0.064} | 60.00 ^{+0.046} / _{+0.000} | 35.68 |
| MCWI-50X64X8 | 50 | 64 | 8 | 8.00 ^{+0.60} / _{-0.40} | 50.00 ^{-0.025} / _{-0.064} | 64.00 ^{+0.046} / _{+0.000} | 36.56 |
| MCWI-50X65X7.5 | 50 | 65 | 7.5 | 7.50 ^{+0.50} / _{-0.30} | 50.00 ^{-0.025} / _{-0.064} | 65.00 ^{+0.046} / _{+0.000} | 15.12 |
| MCWI-50X65X9 | 50 | 65 | 9 | 9.00 ^{+0.60} / _{-0.40} | 50.00 ^{-0.025} / _{-0.064} | 65.00 ^{+0.046} / _{+0.000} | 19.34 |
| MCWI-55X69X8 | 55 | 69 | 8 | 8.00 ^{+0.60} / _{-0.40} | 55.00 ^{-0.030} / _{-0.076} | 69.00 ^{+0.046} / _{+0.000} | 11.06 |
| MCWI-56X70X7.5 | 56 | 70 | 7.5 | 7.50 ^{+0.50} / _{-0.30} | 56.00 ^{-0.030} / _{-0.076} | 70.00 ^{+0.046} / _{+0.000} | 16.87 |
| MCWI-56X71X9 | 56 | 71 | 9 | 9.00 ^{+0.60} / _{-0.40} | 56.00 ^{-0.030} / _{-0.076} | 71.00 ^{+0.046} / _{+0.000} | 20.14 |
| MCWI-60X70X7 | 60 | 70 | 7 | 7.00 ^{+0.50} / _{-0.30} | 60.00 ^{-0.030} / _{-0.076} | 70.00 ^{+0.046} / _{+0.000} | 23.07 |
| MCWI-60X73X6 | 60 | 73 | 6 | 6.00 ^{+0.50} / _{-0.30} | 60.00 ^{-0.030} / _{-0.076} | 73.00 ^{+0.046} / _{+0.000} | 23.10 |



STYLE MCWI METAL CLAD WIPERS

| Part Number | A Nom. ID | B Nom. OD | C Nom. Ht | D GROOVE WIDTH | E ROD DIAMETER | G HOUSING DIAMETER | List Price |
|----------------|--------------|--------------|--------------|---|--|--|---------------|
| MCWI-60X74X8 | 60 | 74 | 8 | 8.00 ^{+0.60} / _{-0.40} | 60.00 ^{-0.030} / _{-0.076} | 74.00 ^{+0.046} / _{+0.000} | 13.89 |
| MCWI-60X75X6 | 60 | 75 | 6 | 6.00 ^{+0.50} / _{-0.30} | 60.00 ^{-0.030} / _{-0.076} | 75.00 ^{+0.046} / _{+0.000} | 35.40 |
| MCWI-60X75X7.5 | 60 | 75 | 7.5 | 7.50 ^{+0.50} / _{-0.30} | 60.00 ^{-0.030} / _{-0.076} | 75.00 ^{+0.046} / _{+0.000} | 13.88 |
| MCWI-63X78X7.5 | 63 | 78 | 7.5 | 7.50 ^{+0.60} / _{-0.40} | 63.00 ^{-0.030} / _{-0.076} | 78.00 ^{+0.046} / _{+0.000} | 16.06 |
| MCWI-63X78X9 | 63 | 78 | 9 | 9.00 ^{+0.60} / _{-0.40} | 63.00 ^{-0.030} / _{-0.076} | 78.00 ^{+0.046} / _{+0.000} | 23.40 |
| MCWI-65X79X8 | 65 | 79 | 8 | 8.00 ^{+0.60} / _{-0.40} | 65.00 ^{-0.030} / _{-0.076} | 79.00 ^{+0.046} / _{+0.000} | 12.74 |
| MCWI-70X80X7 | 70 | 80 | 7 | 7.00 ^{+0.50} / _{-0.30} | 70.00 ^{-0.030} / _{-0.076} | 80.00 ^{+0.046} / _{+0.000} | 27.29 |
| MCWI-70X84X8 | 70 | 84 | 8 | 8.00 ^{+0.60} / _{-0.40} | 70.00 ^{-0.030} / _{-0.076} | 84.00 ^{+0.054} / _{+0.000} | 13.36 |
| MCWI-70X85X7 | 70 | 85 | 7 | 7.00 ^{+0.50} / _{-0.30} | 70.00 ^{-0.030} / _{-0.076} | 85.00 ^{+0.054} / _{+0.000} | 26.48 |
| MCWI-70X85X7.5 | 70 | 85 | 7.5 | 7.50 ^{+0.50} / _{-0.30} | 70.00 ^{-0.030} / _{-0.076} | 85.00 ^{+0.054} / _{+0.000} | 23.02 |
| MCWI-70X85X8 | 70 | 85 | 8 | 8.00 ^{+0.60} / _{-0.40} | 70.00 ^{-0.030} / _{-0.076} | 85.00 ^{+0.054} / _{+0.000} | 30.00 |
| MCWI-75X89X8 | 75 | 89 | 8 | 8.00 ^{+0.60} / _{-0.40} | 75.00 ^{-0.030} / _{-0.076} | 89.00 ^{+0.054} / _{+0.000} | 14.17 |
| MCWI-75X90X8 | 75 | 90 | 8 | 8.00 ^{+0.60} / _{+0.40} | 75.00 ^{+0.000} / _{-0.074} | 90.00 ^{+0.054} / _{+0.000} | 28.96 |
| MCWI-75X95X10 | 75 | 95 | 10 | 10.00 ^{+0.60} / _{-0.40} | 75.00 ^{-0.030} / _{-0.076} | 95.00 ^{+0.054} / _{+0.000} | 26.87 |
| MCWI-80X90X7 | 80 | 90 | 7 | 7.00 ^{+0.50} / _{-0.30} | 80.00 ^{-0.030} / _{-0.076} | 90.00 ^{+0.054} / _{+0.000} | 31.24 |
| MCWI-80X94X8 | 80 | 94 | 8 | 8.00 ^{+0.60} / _{-0.40} | 80.00 ^{-0.030} / _{-0.076} | 94.00 ^{+0.054} / _{+0.000} | 14.53 |
| MCWI-80X95X8 | 80 | 95 | 8 | 8.00 ^{+0.60} / _{-0.40} | 80.00 ^{-0.030} / _{-0.076} | 95.00 ^{+0.054} / _{+0.000} | 50.03 |
| MCWI-80X100X7 | 80 | 100 | 7 | 7.00 ^{+0.50} / _{-0.30} | 80.00 ^{-0.030} / _{-0.076} | 100.00 ^{+0.054} / _{+0.000} | 62.71 |
| MCWI-85X99X8 | 85 | 99 | 8 | 8.00 ^{+0.60} / _{-0.40} | 85.00 ^{-0.036} / _{-0.090} | 99.00 ^{+0.054} / _{+0.000} | 14.53 |
| MCWI-85X100X8 | 85 | 100 | 8 | 8.00 ^{+0.60} / _{+0.40} | 85.00 ^{+0.000} / _{-0.087} | 100.00 ^{+0.054} / _{+0.000} | 29.30 |
| MCWI-90X104X8 | 90 | 104 | 8 | 8.00 ^{+0.60} / _{-0.40} | 90.00 ^{-0.036} / _{-0.090} | 104.00 ^{+0.054} / _{+0.000} | 14.53 |
| MCWI-90X105X6 | 90 | 105 | 6 | 6.00 ^{+0.50} / _{-0.30} | 90.00 ^{-0.036} / _{-0.090} | 105.00 ^{+0.054} / _{+0.000} | 50.25 |
| MCWI-90X105X7 | 90 | 105 | 7 | 7.00 ^{+0.50} / _{-0.30} | 90.00 ^{-0.036} / _{-0.090} | 105.00 ^{+0.054} / _{+0.000} | 61.89 |
| MCWI-90X105X8 | 90 | 105 | 8 | 8.00 ^{+0.60} / _{-0.40} | 90.00 ^{-0.036} / _{-0.090} | 105.00 ^{+0.054} / _{+0.000} | 63.89 |
| MCWI-90X106X8 | 90 | 106 | 8 | 8.00 ^{+0.60} / _{-0.40} | 90.00 ^{-0.036} / _{-0.090} | 106.00 ^{+0.054} / _{+0.000} | 34.95 |
| MCWI-95X109X8 | 95 | 109 | 8 | 8.00 ^{+0.60} / _{-0.40} | 95.00 ^{-0.036} / _{-0.090} | 109.00 ^{+0.054} / _{+0.000} | 35.07 |
| MCWI-95X110X8 | 95 | 110 | 8 | 8.00 ^{+0.60} / _{-0.40} | 95.00 ^{-0.036} / _{-0.090} | 110.00 ^{+0.054} / _{+0.000} | 16.76 |
| MCWI-100X114X8 | 100 | 114 | 8 | 8.00 ^{+0.60} / _{-0.40} | 100.00 ^{-0.036} / _{-0.090} | 114.00 ^{+0.054} / _{+0.000} | 18.60 |
| MCWI-100X115X7 | 100 | 115 | 7 | 7.00 ^{+0.50} / _{-0.30} | 100.00 ^{-0.036} / _{-0.090} | 115.00 ^{+0.054} / _{+0.000} | 35.86 |
| MCWI-100X116X8 | 100 | 116 | 8 | 8.00 ^{+0.60} / _{-0.40} | 100.00 ^{-0.036} / _{-0.090} | 116.00 ^{+0.054} / _{+0.000} | 43.27 |
| MCWI-105X121X9 | 105 | 121 | 9 | 9.00 ^{+0.60} / _{-0.40} | 105.00 ^{-0.036} / _{-0.090} | 121.00 ^{+0.063} / _{+0.000} | 20.90 |
| MCWI-110X125X8 | 110 | 125 | 8 | 8.00 ^{+0.60} / _{-0.40} | 110.00 ^{-0.036} / _{-0.090} | 125.00 ^{+0.063} / _{+0.000} | 55.55 |
| MCWI-110X126X8 | 110 | 126 | 8 | 8.00 ^{+0.60} / _{-0.40} | 110.00 ^{-0.036} / _{-0.090} | 126.00 ^{+0.063} / _{+0.000} | 46.98 |

WIPER RINGS



STYLE MCWI METAL CLAD WIPERS

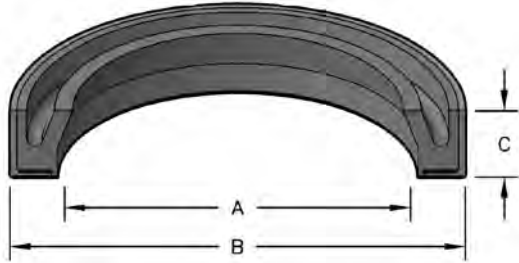
| Part Number | A Nom. ID | B Nom. OD | C Nom. Ht | D GROOVE WIDTH | E ROD DIAMETER | G HOUSING DIAMETER | List Price |
|-----------------|--------------|--------------|--------------|---|--|--|---------------|
| MCWI-110X126X9 | 110 | 126 | 9 | 9.00 ^{+0.60} _{-0.40} | 110.00 ^{-0.036} _{-0.090} | 126.00 ^{+0.063} _{+0.000} | 22.58 |
| MCWI-110X130X8 | 110 | 130 | 8 | 8.00 ^{+0.60} _{-0.40} | 110.00 ^{-0.036} _{-0.090} | 130.00 ^{+0.063} _{+0.000} | 55.95 |
| MCWI-110X130X10 | 110 | 130 | 10 | 10.00 ^{+0.60} _{-0.40} | 110.00 ^{-0.036} _{-0.090} | 130.00 ^{+0.063} _{+0.000} | 56.72 |
| MCWI-120X135X8 | 120 | 135 | 8 | 8.00 ^{+0.60} _{-0.40} | 120.00 ^{-0.036} _{-0.090} | 135.00 ^{+0.063} _{+0.000} | 70.96 |
| MCWI-120X136X9 | 120 | 136 | 9 | 9.00 ^{+0.60} _{-0.40} | 120.00 ^{-0.036} _{-0.090} | 136.00 ^{+0.063} _{+0.000} | 32.14 |
| MCWI-120X140X10 | 120 | 140 | 10 | 10.00 ^{+0.60} _{-0.40} | 120.00 ^{-0.036} _{-0.090} | 140.00 ^{+0.063} _{+0.000} | 73.52 |
| MCWI-125X140X8 | 125 | 140 | 8 | 8.00 ^{+0.60} _{-0.40} | 125.00 ^{-0.043} _{-0.106} | 140.00 ^{+0.063} _{+0.000} | 70.29 |
| MCWI-125X140X9 | 125 | 140 | 9 | 9.00 ^{+0.60} _{-0.40} | 125.00 ^{-0.043} _{-0.106} | 140.00 ^{+0.063} _{+0.000} | 72.59 |
| MCWI-130X146X9 | 130 | 146 | 9 | 9.00 ^{+0.60} _{-0.40} | 130.00 ^{-0.043} _{-0.106} | 146.00 ^{+0.063} _{+0.000} | 33.63 |
| MCWI-140X160X10 | 140 | 160 | 10 | 10.00 ^{+0.60} _{-0.40} | 140.00 ^{-0.043} _{-0.106} | 160.00 ^{+0.063} _{+0.000} | 34.06 |
| MCWI-150X170X10 | 150 | 170 | 10 | 10.00 ^{+0.60} _{-0.40} | 150.00 ^{-0.043} _{-0.106} | 170.00 ^{+0.063} _{+0.000} | 45.76 |
| MCWI-160X180X10 | 160 | 180 | 10 | 10.00 ^{+0.60} _{-0.40} | 160.00 ^{-0.043} _{-0.106} | 180.00 ^{+0.063} _{+0.000} | 46.15 |

WIPER RINGS

NEW FOR 2016

STYLE MCWIN SNAP-IN WIPERS

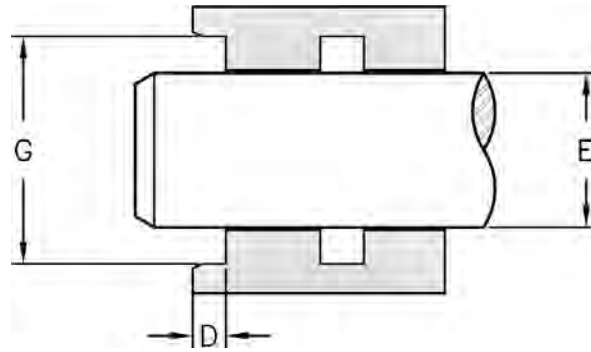
This wiper is a single lip design molded from high grade nitrile and bonded to a carbon steel case.



HERCULES PART NUMBERS

MCWIN - 30 X 40 X 6
 Type of Seal Inside Diameter Outside Diameter Height

| SEAL INFORMATION | |
|-------------------|-----------------|
| MATERIAL | 80 NBR/STEEL |
| TEMPERATURE RANGE | -13° TO +212° F |
| SPEED | 3 FT/SEC |

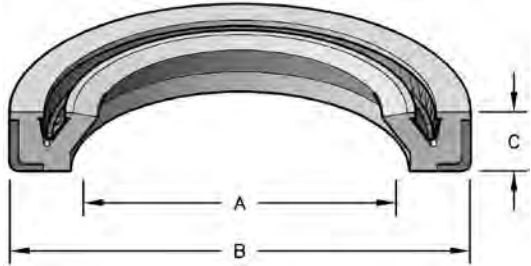


| Part Number | A Nom. ID | B Nom. OD | C Nom. Ht | D GROOVE WIDTH | E ROD DIAMETER | G HOUSING DIAMETER | List Price |
|---------------|--------------|--------------|--------------|------------------------|---------------------------|---------------------------|---------------|
| MCWIN-30X40X6 | 30 | 40 | 6 | 6.00 +0.50 -0.30 | 30.00 -0.020 -0.053 | 40.00 +0.039 +0.000 | \$7.80 |
| MCWIN-35X45X6 | 35 | 45 | 6 | 6.00 +0.50 -0.30 | 35.00 -0.025 -0.064 | 45.00 +0.039 +0.000 | 8.43 |
| MCWIN-40X50X6 | 40 | 50 | 6 | 6.00 +0.50 -0.30 | 40.00 -0.025 -0.064 | 50.00 +0.039 +0.000 | 9.39 |
| MCWIN-45X55X6 | 45 | 55 | 6 | 6.00 +0.50 -0.30 | 45.00 -0.025 -0.064 | 55.00 +0.046 +0.000 | 10.62 |
| MCWIN-50X62X7 | 50 | 62 | 7 | 7.00 +0.50 -0.30 | 50.00 -0.025 -0.064 | 62.00 +0.046 +0.000 | 13.14 |
| MCWIN-55X67X7 | 55 | 67 | 7 | 7.00 +0.50 -0.30 | 55.00 -0.030 -0.076 | 67.00 +0.046 +0.000 | 14.07 |
| MCWIN-60X72X7 | 60 | 72 | 7 | 7.00 +0.50 -0.30 | 60.00 -0.030 -0.076 | 72.00 +0.046 +0.000 | 15.63 |
| MCWIN-65X77X7 | 65 | 77 | 7 | 7.00 +0.50 -0.30 | 65.00 -0.030 -0.076 | 77.00 +0.046 +0.000 | 17.19 |
| MCWIN-75X87X7 | 75 | 87 | 7 | 7.00 +0.50 -0.30 | 75.00 -0.030 -0.076 | 87.00 +0.054 +0.000 | 20.37 |
| MCWIN-85X97X7 | 85 | 97 | 7 | 7.00 +0.50 -0.30 | 85.00 -0.036 -0.090 | 97.00 +0.054 +0.000 | 30.56 |

WIPER RINGS

STYLE MCWS METAL CLAD WIPERS

Molded from high grade urethane and bonded to a carbon steel case, this wiper utilizes a stainless steel finger spring to maintain a high radial force on the rod.



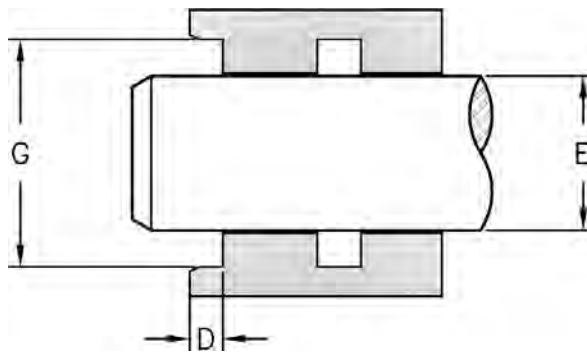
HERCULES PART NUMBERS

MCWS - 32 X 42 X 7

Type of Seal Inside Diameter Outside Diameter Height

SEAL INFORMATION

| | |
|-------------------|-----------------|
| MATERIAL | URETHANE |
| TEMPERATURE RANGE | -40° TO +200° F |
| SPEED | 3 FT/SEC |

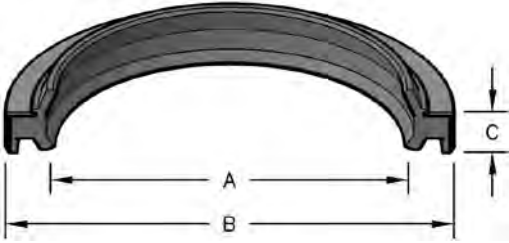


WIPER RINGS

| Part Number | A Nom. ID | B Nom. OD | C Nom. Ht | D GROOVE WIDTH | E ROD DIAMETER | G HOUSING DIAMETER | List Price |
|----------------|--------------|--------------|--------------|---|---|--|---------------|
| MCWS-32X42X7 | 32 | 42 | 7 | 7.00 ^{+0.50} / _{+0.30} | 32.00 ^{-0.025} / _{-0.064} | 42.00 ^{+0.10} / _{+0.00} | \$12.51 |
| MCWS-40X50X7 | 40 | 50 | 7 | 7.00 ^{+0.50} / _{+0.30} | 40.00 ^{-0.025} / _{-0.064} | 50.00 ^{+0.10} / _{+0.00} | 22.25 |
| MCWS-45X55X7 | 45 | 55 | 7 | 7.00 ^{+0.50} / _{+0.30} | 45.00 ^{-0.025} / _{-0.064} | 55.00 ^{+0.12} / _{+0.00} | 22.91 |
| MCWS-50X60X7 | 50 | 60 | 7 | 7.00 ^{+0.50} / _{+0.30} | 50.00 ^{-0.025} / _{-0.064} | 60.00 ^{+0.12} / _{+0.00} | 23.62 |
| MCWS-56X68X7 | 56 | 68 | 7 | 7.00 ^{+0.50} / _{+0.30} | 56.00 ^{-0.030} / _{-0.076} | 68.00 ^{+0.12} / _{+0.00} | 33.55 |
| MCWS-63X75X7 | 63 | 75 | 7 | 7.00 ^{+0.50} / _{+0.30} | 63.00 ^{-0.030} / _{-0.076} | 75.00 ^{+0.12} / _{+0.00} | 22.09 |
| MCWS-63X83X10 | 63 | 83 | 10 | 10.00 ^{+0.60} / _{+0.40} | 63.00 ^{-0.030} / _{-0.076} | 83.00 ^{+0.14} / _{+0.00} | 23.28 |
| MCWS-70X90X10 | 70 | 90 | 10 | 10.00 ^{+0.60} / _{+0.40} | 70.00 ^{-0.030} / _{-0.076} | 90.00 ^{+0.14} / _{+0.00} | 41.64 |
| MCWS-80X100X10 | 80 | 100 | 10 | 10.00 ^{+0.60} / _{+0.40} | 80.00 ^{-0.030} / _{-0.076} | 100.00 ^{+0.14} / _{+0.00} | 63.06 |

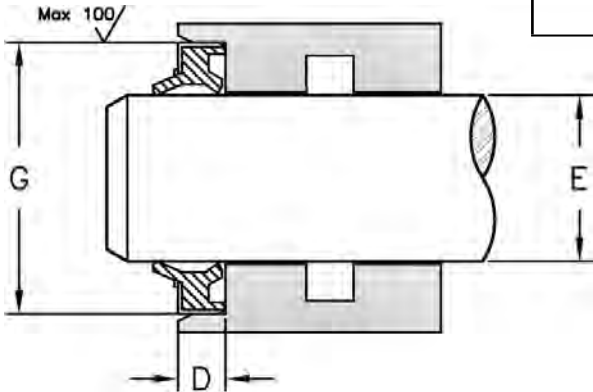
STYLE MCKB METAL CLAD WIPERS

Utilizing a double lip of nitrile bonded to a carbon steel case, this wiper prevents contaminant ingress at the wiping lip and around the outer case.



HERCULES PART NUMBERS

MCKB - 20 X 32 X 6
 Type of Seal Inside Diameter Outside Diameter Height



| SEAL INFORMATION | |
|-------------------|-----------------|
| MATERIAL | 80A NITRILE |
| TEMPERATURE RANGE | -20° TO +250° F |
| SPEED | 3 FT/SEC |

| Part Number | A Nom. ID | B Nom. OD | C Nom. Ht | D GROOVE WIDTH | E ROD DIAMETER | G HOUSING DIAMETER | List Price |
|--------------|--------------|--------------|--------------|----------------------|------------------------|--------------------------|------------|
| MCKB-20X32X6 | 20 | 32 | 6 | 6.00 +0.50 +0.30 | 20.00 -0.020 -0.053 | 32.00 +0.039 +0.000 | \$ 16.49 |
| MCKB-22X32X6 | 22 | 32 | 6 | 6.00 +0.50 +0.30 | 22.00 -0.020 -0.053 | 32.00 +0.039 +0.000 | 16.49 |
| MCKB-22X34X6 | 22 | 34 | 6 | 6.00 +0.50 +0.30 | 22.00 -0.020 -0.053 | 34.00 +0.039 +0.000 | 17.64 |
| MCKB-25X37X6 | 25 | 37 | 6 | 6.00 +0.50 +0.30 | 25.00 -0.020 -0.053 | 37.00 +0.039 +0.000 | 16.72 |
| MCKB-30X42X6 | 30 | 42 | 6 | 6.00 +0.50 +0.30 | 30.00 -0.020 -0.053 | 42.00 +0.039 +0.000 | 16.72 |
| MCKB-30X45X6 | 30 | 45 | 6 | 6.00 +0.50 +0.30 | 30.00 -0.020 -0.053 | 45.00 +0.039 +0.000 | 16.72 |
| MCKB-30X47X7 | 30 | 47 | 7 | 7.00 +0.50 +0.30 | 30.00 -0.020 -0.053 | 47.00 +0.039 +0.000 | 23.72 |
| MCKB-32X52X8 | 32 | 52 | 8 | 8.00 +0.60 +0.40 | 32.00 -0.025 -0.064 | 52.00 +0.046 +0.000 | 19.33 |
| MCKB-35X47X7 | 35 | 47 | 7 | 7.00 +0.50 +0.30 | 35.00 -0.025 -0.064 | 47.00 +0.039 +0.000 | 17.64 |
| MCKB-36X48X7 | 36 | 48 | 7 | 7.00 +0.50 +0.30 | 36.00 -0.025 -0.064 | 48.00 +0.039 +0.000 | 31.94 |
| MCKB-40X52X7 | 40 | 52 | 7 | 7.00 +0.50 +0.30 | 40.00 -0.025 -0.064 | 52.00 +0.046 +0.000 | 21.56 |
| MCKB-40X62X8 | 40 | 62 | 8 | 8.00 +0.60 +0.40 | 40.00 -0.025 -0.064 | 62.00 +0.046 +0.000 | 30.95 |
| MCKB-45X57X7 | 45 | 57 | 7 | 7.00 +0.50 +0.30 | 45.00 -0.025 -0.064 | 57.00 +0.046 +0.000 | 23.50 |
| MCKB-50X62X7 | 50 | 62 | 7 | 7.00 +0.50 +0.30 | 50.00 -0.025 -0.064 | 62.00 +0.046 +0.000 | 24.68 |
| MCKB-50X72X8 | 50 | 72 | 8 | 8.00 +0.60 +0.40 | 50.00 -0.025 -0.064 | 72.00 +0.046 +0.000 | 55.20 |
| MCKB-55X69X8 | 55 | 69 | 8 | 8.00 +0.60 +0.40 | 55.00 -0.030 -0.076 | 69.00 +0.046 +0.000 | 28.21 |
| MCKB-60X74X8 | 60 | 74 | 8 | 8.00 +0.60 +0.40 | 60.00 -0.030 -0.076 | 74.00 +0.046 +0.000 | 30.57 |
| MCKB-63X77X8 | 63 | 77 | 8 | 8.00 +0.60 +0.40 | 63.00 -0.030 -0.076 | 77.00 +0.046 +0.000 | 34.55 |

WIPER RINGS

FORMERLY LISTED SEALS ARE AVAILABLE ONLINE AT WWW.HERCULESUS.COM
 OR BY CONTACTING YOUR REGIONAL HERCULES SALES TEAM.



STYLE MCKB METAL CLAD WIPERS

| Part Number | A Nom. ID | B Nom. OD | C Nom. Ht | D GROOVE WIDTH | E ROD DIAMETER | G HOUSING DIAMETER | List Price |
|----------------|--------------|--------------|--------------|--|--|--|---------------|
| MCKB-65X79X8 | 65 | 79 | 8 | 8.00 ^{+0.60} / _{+0.40} | 65.00 ^{-0.030} / _{-0.076} | 79.00 ^{+0.046} / _{+0.000} | 32.42 |
| MCKB-70X84X8 | 70 | 84 | 8 | 8.00 ^{+0.60} / _{+0.40} | 70.00 ^{-0.030} / _{-0.076} | 84.00 ^{+0.054} / _{+0.000} | 34.80 |
| MCKB-75X89X8 | 75 | 89 | 8 | 8.00 ^{+0.60} / _{+0.40} | 75.00 ^{-0.030} / _{-0.076} | 89.00 ^{+0.054} / _{+0.000} | 37.40 |
| MCKB-80X94X8 | 80 | 94 | 8 | 8.00 ^{+0.60} / _{+0.40} | 80.00 ^{-0.030} / _{-0.076} | 94.00 ^{+0.054} / _{+0.000} | 44.11 |
| MCKB-85X99X8 | 85 | 99 | 8 | 8.00 ^{+0.60} / _{+0.40} | 85.00 ^{-0.036} / _{-0.090} | 99.00 ^{+0.054} / _{+0.000} | 50.06 |
| MCKB-90X104X8 | 90 | 104 | 8 | 8.00 ^{+0.60} / _{+0.40} | 90.00 ^{-0.036} / _{-0.090} | 104.00 ^{+0.054} / _{+0.000} | 54.12 |
| MCKB-95X109X8 | 95 | 109 | 8 | 8.00 ^{+0.60} / _{+0.40} | 95.00 ^{-0.036} / _{-0.090} | 109.00 ^{+0.054} / _{+0.000} | 55.36 |
| MCKB-100X114X8 | 100 | 114 | 8 | 8.00 ^{+0.60} / _{+0.40} | 100.00 ^{-0.036} / _{-0.090} | 114.00 ^{+0.054} / _{+0.000} | 56.82 |
| MCKB-105X121X9 | 105 | 121 | 9 | 9.00 ^{+0.60} / _{+0.40} | 105.00 ^{-0.036} / _{-0.090} | 121.00 ^{+0.063} / _{+0.000} | 23.69 |
| MCKB-112X128X9 | 112 | 128 | 9 | 9.00 ^{+0.60} / _{+0.40} | 112.00 ^{-0.036} / _{-0.090} | 128.00 ^{+0.063} / _{+0.000} | 90.09 |
| MCKB-115X131X9 | 115 | 131 | 9 | 9.00 ^{+0.60} / _{+0.40} | 115.00 ^{-0.036} / _{-0.090} | 131.00 ^{+0.063} / _{+0.000} | 26.23 |

WIPER RINGS

Seal color may vary. Special order sizes are available.

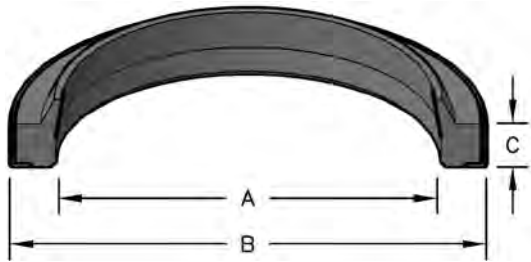
NORTH AMERICA
PHONE 1-800-777-5617
FAX 1-800-759-6391

SALES OFFICE HOURS
8 A.M. TO 7:30 P.M. EASTERN TIME
www.HerculesUS.com

WORLDWIDE
PHONE 1-727-796-1300
FAX 1-727-797-8849

STYLE MCWN METAL CLAD WIPERS

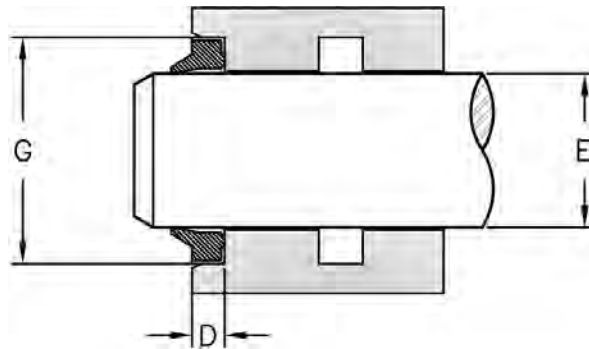
This wiper is a single lip design molded from high grade nitrile and bonded to a carbon steel case.



HERCULES PART NUMBERS

MCWN - 10 X 16 X 3
 Type of Seal Inside Diameter Outside Diameter Height

| SEAL INFORMATION | |
|-------------------|-----------------|
| MATERIAL | NITRILE |
| TEMPERATURE RANGE | -30° TO +220° F |
| SPEED | 3 FT/SEC |



WIPER RINGS

| Part Number | A Nom. ID | B Nom. OD | C Nom. Ht | D GROOVE WIDTH | E ROD DIAMETER | G HOUSING DIAMETER | List Price |
|----------------|--------------|--------------|--------------|--|---|---|---------------|
| MCWN-10X16X3 | 10 | 16 | 3 | 3.00 ^{+0.20} / _{+0.00} | 10.00 ^{-0.013} / _{-0.035} | 16.00 ^{+0.027} / _{+0.000} | \$2.31 |
| MCWN-12X18X3.5 | 12 | 18 | 3.5 | 3.50 ^{+0.20} / _{+0.00} | 12.00 ^{-0.016} / _{-0.043} | 18.00 ^{+0.027} / _{+0.000} | 3.31 |
| MCWN-12X20X4 | 12 | 20 | 4 | 4.00 ^{+0.20} / _{+0.00} | 12.00 ^{-0.016} / _{-0.043} | 20.00 ^{+0.033} / _{+0.000} | 2.31 |
| MCWN-12X22X5 | 12 | 22 | 5 | 5.00 ^{+0.20} / _{+0.00} | 12.00 ^{-0.016} / _{-0.043} | 22.00 ^{+0.033} / _{+0.000} | 2.50 |
| MCWN-15X25X5 | 15 | 25 | 5 | 5.00 ^{+0.20} / _{+0.00} | 15.00 ^{-0.016} / _{-0.043} | 25.00 ^{+0.033} / _{+0.000} | 2.31 |
| MCWN-16X22X3 | 16 | 22 | 3 | 3.00 ^{+0.20} / _{+0.00} | 16.00 ^{-0.016} / _{-0.043} | 22.00 ^{+0.033} / _{+0.000} | 6.76 |
| MCWN-16X26X5 | 16 | 26 | 5 | 5.00 ^{+0.20} / _{+0.00} | 16.00 ^{-0.016} / _{-0.043} | 26.00 ^{+0.033} / _{+0.000} | 3.79 |
| MCWN-18X26X3 | 18 | 26 | 3 | 3.00 ^{+0.20} / _{+0.00} | 18.00 ^{-0.016} / _{-0.043} | 26.00 ^{+0.033} / _{+0.000} | 3.31 |
| MCWN-18X28X7 | 18 | 28 | 7 | 7.00 ^{+0.20} / _{+0.00} | 18.00 ^{-0.016} / _{-0.043} | 28.00 ^{+0.033} / _{+0.000} | 4.81 |
| MCWN-20X26X5 | 20 | 26 | 5 | 5.00 ^{+0.20} / _{+0.00} | 20.00 ^{-0.020} / _{-0.053} | 26.00 ^{+0.033} / _{+0.000} | 8.96 |
| MCWN-20X28X3.5 | 20 | 28 | 3.5 | 3.50 ^{+0.20} / _{+0.00} | 20.00 ^{-0.020} / _{-0.053} | 28.00 ^{+0.033} / _{+0.000} | 2.17 |
| MCWN-20X28X5 | 20 | 28 | 5 | 5.00 ^{+0.20} / _{+0.00} | 20.00 ^{-0.020} / _{-0.053} | 28.00 ^{+0.033} / _{+0.000} | 2.31 |
| MCWN-20X30X4 | 20 | 30 | 4 | 4.00 ^{+0.20} / _{+0.00} | 20.00 ^{-0.020} / _{-0.053} | 30.00 ^{+0.033} / _{+0.000} | 2.50 |
| MCWN-20X30X5 | 20 | 30 | 5 | 5.00 ^{+0.20} / _{+0.00} | 20.00 ^{-0.020} / _{-0.053} | 30.00 ^{+0.033} / _{+0.000} | 2.63 |
| MCWN-20X30X7 | 20 | 30 | 7 | 7.00 ^{+0.20} / _{+0.00} | 20.00 ^{-0.020} / _{-0.053} | 30.00 ^{+0.033} / _{+0.000} | 2.50 |
| MCWN-22X28X5 | 22 | 28 | 5 | 5.00 ^{+0.20} / _{+0.00} | 22.00 ^{-0.020} / _{-0.053} | 28.00 ^{+0.033} / _{+0.000} | 2.50 |

FORMERLY LISTED SEALS ARE AVAILABLE ONLINE AT WWW.HERCULESUS.COM
 OR BY CONTACTING YOUR REGIONAL HERCULES SALES TEAM.



STYLE MCWN METAL CLAD WIPERS

WIPER RINGS

| Part Number | A Nom. ID | B Nom. OD | C Nom. Ht | D GROOVE WIDTH | E ROD DIAMETER | G HOUSING DIAMETER | List Price |
|--------------|--------------|--------------|--------------|--|---|---|---------------|
| MCWN-22X32X5 | 22 | 32 | 5 | 5.00 ^{+0.20} / _{+0.00} | 22.00 ^{-0.020} / _{-0.053} | 32.00 ^{+0.039} / _{+0.000} | 2.31 |
| MCWN-22X32X7 | 22 | 32 | 7 | 7.00 ^{+0.20} / _{+0.00} | 22.00 ^{-0.020} / _{-0.053} | 32.00 ^{+0.039} / _{+0.000} | 2.31 |
| MCWN-25X33X4 | 25 | 33 | 4 | 4.00 ^{+0.20} / _{+0.00} | 25.00 ^{-0.020} / _{-0.053} | 33.00 ^{+0.039} / _{+0.000} | 2.50 |
| MCWN-25X35X5 | 25 | 35 | 5 | 5.00 ^{+0.20} / _{+0.00} | 25.00 ^{-0.020} / _{-0.053} | 35.00 ^{+0.039} / _{+0.000} | 7.75 |
| MCWN-25X35X7 | 25 | 35 | 7 | 7.00 ^{+0.20} / _{+0.00} | 25.00 ^{-0.020} / _{-0.053} | 35.00 ^{+0.039} / _{+0.000} | 2.50 |
| MCWN-28X38X5 | 28 | 38 | 5 | 5.00 ^{+0.20} / _{+0.00} | 28.00 ^{-0.020} / _{-0.053} | 38.00 ^{+0.039} / _{+0.000} | 2.63 |
| MCWN-28X38X7 | 28 | 38 | 7 | 7.00 ^{+0.20} / _{+0.00} | 28.00 ^{-0.020} / _{-0.053} | 38.00 ^{+0.039} / _{+0.000} | 2.31 |
| MCWN-28X40X7 | 28 | 40 | 7 | 7.00 ^{+0.20} / _{+0.00} | 28.00 ^{-0.020} / _{-0.053} | 40.00 ^{+0.039} / _{+0.000} | 3.44 |
| MCWN-30X40X5 | 30 | 40 | 5 | 5.00 ^{+0.20} / _{+0.00} | 30.00 ^{-0.020} / _{-0.053} | 40.00 ^{+0.039} / _{+0.000} | 2.50 |
| MCWN-30X40X7 | 30 | 40 | 7 | 7.00 ^{+0.20} / _{+0.00} | 30.00 ^{-0.020} / _{-0.053} | 40.00 ^{+0.039} / _{+0.000} | 2.82 |
| MCWN-32X40X4 | 32 | 40 | 4 | 4.00 ^{+0.20} / _{+0.00} | 32.00 ^{-0.025} / _{-0.064} | 40.00 ^{+0.039} / _{+0.000} | 2.63 |
| MCWN-32X42X5 | 32 | 42 | 5 | 5.00 ^{+0.20} / _{+0.00} | 32.00 ^{-0.025} / _{-0.064} | 42.00 ^{+0.039} / _{+0.000} | 3.15 |
| MCWN-32X42X7 | 32 | 42 | 7 | 7.00 ^{+0.20} / _{+0.00} | 32.00 ^{-0.025} / _{-0.064} | 42.00 ^{+0.039} / _{+0.000} | 3.15 |
| MCWN-32X45X4 | 32 | 45 | 4 | 4.00 ^{+0.20} / _{+0.00} | 32.00 ^{-0.025} / _{-0.064} | 45.00 ^{+0.039} / _{+0.000} | 3.15 |
| MCWN-32X45X7 | 32 | 45 | 7 | 7.00 ^{+0.20} / _{+0.00} | 32.00 ^{-0.025} / _{-0.064} | 45.00 ^{+0.039} / _{+0.000} | 2.82 |
| MCWN-33X43X7 | 33 | 43 | 7 | 7.00 ^{+0.20} / _{+0.00} | 33.00 ^{-0.025} / _{-0.064} | 43.00 ^{+0.039} / _{+0.000} | 3.79 |
| MCWN-35X45X7 | 35 | 45 | 7 | 7.00 ^{+0.20} / _{+0.00} | 35.00 ^{-0.025} / _{-0.064} | 45.00 ^{+0.039} / _{+0.000} | 4.48 |
| MCWN-35X47X7 | 35 | 47 | 7 | 7.00 ^{+0.20} / _{+0.00} | 35.00 ^{-0.025} / _{-0.064} | 47.00 ^{+0.039} / _{+0.000} | 3.15 |
| MCWN-36X46X5 | 36 | 46 | 5 | 5.00 ^{+0.20} / _{+0.00} | 36.00 ^{-0.025} / _{-0.064} | 46.00 ^{+0.039} / _{+0.000} | 3.15 |
| MCWN-38X48X7 | 38 | 48 | 7 | 7.00 ^{+0.20} / _{+0.00} | 38.00 ^{-0.025} / _{-0.064} | 48.00 ^{+0.039} / _{+0.000} | 3.47 |
| MCWN-40X50X5 | 40 | 50 | 5 | 5.00 ^{+0.20} / _{+0.00} | 40.00 ^{-0.025} / _{-0.064} | 50.00 ^{+0.039} / _{+0.000} | 3.15 |
| MCWN-40X50X7 | 40 | 50 | 7 | 7.00 ^{+0.20} / _{+0.00} | 40.00 ^{-0.025} / _{-0.064} | 50.00 ^{+0.039} / _{+0.000} | 3.15 |
| MCWN-40X52X7 | 40 | 52 | 7 | 7.00 ^{+0.20} / _{+0.00} | 40.00 ^{-0.025} / _{-0.064} | 52.00 ^{+0.046} / _{+0.000} | 3.47 |
| MCWN-42X52X7 | 42 | 52 | 7 | 7.00 ^{+0.20} / _{+0.00} | 42.00 ^{-0.025} / _{-0.064} | 52.00 ^{+0.046} / _{+0.000} | 3.47 |
| MCWN-45X55X5 | 45 | 55 | 5 | 5.00 ^{+0.20} / _{+0.00} | 45.00 ^{-0.025} / _{-0.064} | 55.00 ^{+0.046} / _{+0.000} | 3.47 |
| MCWN-45X55X7 | 45 | 55 | 7 | 7.00 ^{+0.20} / _{+0.00} | 45.00 ^{-0.025} / _{-0.064} | 55.00 ^{+0.046} / _{+0.000} | 3.47 |
| MCWN-45X57X7 | 45 | 57 | 7 | 7.00 ^{+0.20} / _{+0.00} | 45.00 ^{-0.025} / _{-0.064} | 57.00 ^{+0.046} / _{+0.000} | 3.79 |
| MCWN-45X60X7 | 45 | 60 | 7 | 7.00 ^{+0.20} / _{+0.00} | 45.00 ^{-0.025} / _{-0.064} | 60.00 ^{+0.046} / _{+0.000} | 3.79 |
| MCWN-50X56X5 | 50 | 56 | 5 | 5.00 ^{+0.20} / _{+0.00} | 50.00 ^{-0.025} / _{-0.064} | 56.00 ^{+0.046} / _{+0.000} | 3.47 |
| MCWN-50X60X5 | 50 | 60 | 5 | 5.00 ^{+0.20} / _{+0.00} | 50.00 ^{-0.025} / _{-0.064} | 60.00 ^{+0.046} / _{+0.000} | 6.78 |
| MCWN-50X60X7 | 50 | 60 | 7 | 7.00 ^{+0.20} / _{+0.00} | 50.00 ^{-0.025} / _{-0.064} | 60.00 ^{+0.046} / _{+0.000} | 6.12 |
| MCWN-50X65X7 | 50 | 65 | 7 | 7.00 ^{+0.20} / _{+0.00} | 50.00 ^{-0.025} / _{-0.064} | 65.00 ^{+0.046} / _{+0.000} | 4.16 |
| MCWN-52X62X7 | 52 | 62 | 7 | 7.00 ^{+0.20} / _{+0.00} | 52.00 ^{-0.030} / _{-0.076} | 62.00 ^{+0.046} / _{+0.000} | 7.44 |



STYLE MCWN METAL CLAD WIPERS

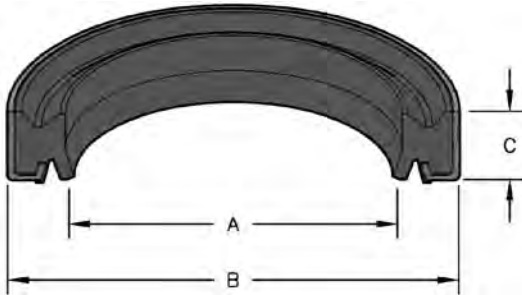
| Part Number | A Nom. ID | B Nom. OD | C Nom. Ht | D GROOVE WIDTH | E ROD DIAMETER | G HOUSING DIAMETER | List Price |
|-----------------|--------------|--------------|--------------|----------------------|-------------------------|--------------------------|---------------|
| MCWN-55X63X7 | 55 | 63 | 7 | 7.00 +0.20 +0.00 | 55.00 -0.030 -0.076 | 63.00 +0.046 +0.000 | 4.16 |
| MCWN-55X65X7 | 55 | 65 | 7 | 7.00 +0.20 +0.00 | 55.00 -0.030 -0.076 | 65.00 +0.046 +0.000 | 3.97 |
| MCWN-56X65X7 | 56 | 65 | 7 | 7.00 +0.20 +0.00 | 56.00 -0.030 -0.076 | 65.00 +0.046 +0.000 | 4.16 |
| MCWN-56X66X7 | 56 | 66 | 7 | 7.00 +0.20 +0.00 | 56.00 -0.030 -0.076 | 66.00 +0.046 +0.000 | 4.29 |
| MCWN-60X70X7 | 60 | 70 | 7 | 7.00 +0.20 +0.00 | 60.00 -0.030 -0.076 | 70.00 +0.046 +0.000 | 6.60 |
| MCWN-60X75X7 | 60 | 75 | 7 | 7.00 +0.20 +0.00 | 60.00 -0.030 -0.076 | 75.00 +0.046 +0.000 | 4.81 |
| MCWN-63X75X7 | 63 | 75 | 7 | 7.00 +0.20 +0.00 | 63.00 -0.030 -0.076 | 75.00 +0.046 +0.000 | 4.16 |
| MCWN-65X75X7 | 65 | 75 | 7 | 7.00 +0.20 +0.00 | 65.00 -0.030 -0.076 | 75.00 +0.046 +0.000 | 4.81 |
| MCWN-70X80X5 | 70 | 80 | 5 | 5.00 +0.20 +0.00 | 70.00 -0.030 -0.076 | 80.00 +0.046 +0.000 | 6.80 |
| MCWN-70X80X7 | 70 | 80 | 7 | 7.00 +0.20 +0.00 | 70.00 -0.030 -0.076 | 80.00 +0.046 +0.000 | 5.60 |
| MCWN-75X83X7 | 75 | 83 | 7 | 7.00 +0.20 +0.00 | 75.00 -0.030 -0.076 | 83.00 +0.054 +0.000 | 6.45 |
| MCWN-75X85X7 | 75 | 85 | 7 | 7.00 +0.20 +0.00 | 75.00 -0.030 -0.076 | 85.00 +0.054 +0.000 | 6.13 |
| MCWN-78X88X7 | 78 | 88 | 7 | 7.00 +0.20 +0.00 | 78.00 -0.030 -0.076 | 88.00 +0.054 +0.000 | 10.34 |
| MCWN-80X90X7 | 80 | 90 | 7 | 7.00 +0.20 +0.00 | 80.00 -0.030 -0.076 | 90.00 +0.054 +0.000 | 6.45 |
| MCWN-85X95X7 | 85 | 95 | 7 | 7.00 +0.20 +0.00 | 85.00 -0.036 -0.090 | 95.00 +0.054 +0.000 | 13.16 |
| MCWN-90X100X7 | 90 | 100 | 7 | 7.00 +0.20 +0.00 | 90.00 -0.036 -0.090 | 100.00 +0.054 +0.000 | 11.14 |
| MCWN-95X105X7 | 95 | 105 | 7 | 7.00 +0.20 +0.00 | 95.00 -0.036 -0.090 | 105.00 +0.054 +0.000 | 10.26 |
| MCWN-100X110X7 | 100 | 110 | 7 | 7.00 +0.20 +0.00 | 100.00 -0.036 -0.090 | 110.00 +0.054 +0.000 | 10.73 |
| MCWN-105X115X7 | 105 | 115 | 7 | 7.00 +0.20 +0.00 | 105.00 -0.036 -0.090 | 115.00 +0.054 +0.000 | 11.73 |
| MCWN-110X120X7 | 110 | 120 | 7 | 7.00 +0.20 +0.00 | 110.00 -0.036 -0.090 | 120.00 +0.054 +0.000 | 12.42 |
| MCWN-115X125X7 | 115 | 125 | 7 | 7.00 +0.20 +0.00 | 115.00 -0.036 -0.090 | 125.00 +0.063 +0.000 | 13.41 |
| MCWN-120X130X7 | 120 | 130 | 7 | 7.00 +0.20 +0.00 | 120.00 -0.036 -0.090 | 130.00 +0.063 +0.000 | 15.40 |
| MCWN-125X140X9 | 125 | 140 | 9 | 9.00 +0.20 +0.00 | 125.00 -0.043 -0.106 | 140.00 +0.063 +0.000 | 12.73 |
| MCWN-130X145X9 | 130 | 145 | 9 | 9.00 +0.20 +0.00 | 130.00 -0.043 -0.106 | 145.00 +0.063 +0.000 | 13.55 |
| MCWN-140X155X9 | 140 | 155 | 9 | 9.00 +0.20 +0.00 | 140.00 -0.043 -0.106 | 155.00 +0.063 +0.000 | 14.89 |
| MCWN-150X165X9 | 150 | 165 | 9 | 9.00 +0.20 +0.00 | 150.00 -0.043 -0.106 | 165.00 +0.063 +0.000 | 33.51 |
| MCWN-150X166X8 | 150 | 166 | 8 | 8.00 +0.50 +0.00 | 150.00 -0.043 -0.106 | 166.00 +0.063 +0.000 | 64.29 |
| MCWN-160X175X9 | 160 | 175 | 9 | 9.00 +0.20 +0.00 | 160.00 -0.043 -0.106 | 175.00 +0.063 +0.000 | 17.86 |
| MCWN-180X195X10 | 180 | 195 | 10 | 10.00 +0.20 +0.00 | 180.00 -0.043 -0.106 | 195.00 +0.072 +0.000 | 68.15 |
| MCWN-200X220X12 | 200 | 220 | 12 | 12.00 +0.20 +0.00 | 200.00 -0.050 -0.122 | 220.00 +0.072 +0.000 | 35.28 |

WIPER RINGS

Seal color may vary. Please call your regional sales team for assistance.

FORMERLY LISTED SEALS ARE AVAILABLE ONLINE AT WWW.HERCULESUS.COM
OR BY CONTACTING YOUR REGIONAL HERCULES SALES TEAM.

STYLE MCWHD METAL CLAD WIPERS

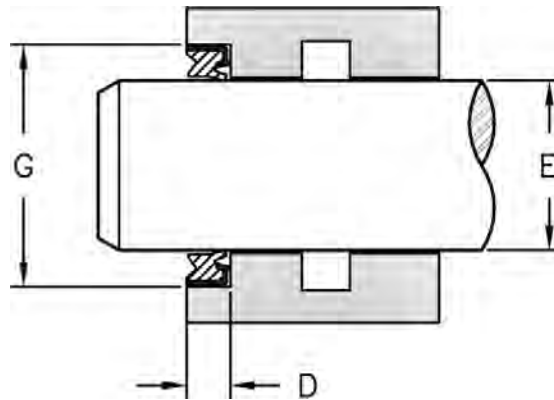


HERCULES PART NUMBERS

MCWHD - 45 X 59 X 8.5

Type of Seal Inside Diameter Outside Diameter Height

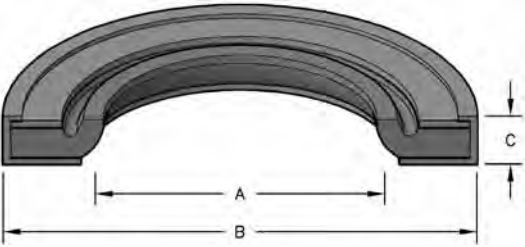
| SEAL INFORMATION | |
|-------------------|----------------------------|
| MATERIAL | URETHANE LIP STEEL CASE |
| TEMPERATURE RANGE | -65° TO +230° F |
| SPEED | 3 FT/SEC |



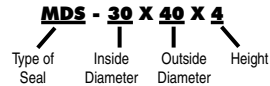
| Part Number | A Nom. ID | B Nom. OD | C Nom. Ht | D GROOVE WIDTH | E ROD DIAMETER | G HOUSING DIAMETER | List Price |
|--------------------|--------------|--------------|--------------|----------------------|----------------------|--------------------------|---------------|
| MCWHD-45X59X8.5 | 45 | 59 | 8.5 | 8.50 | 45.00 | 59.00 | \$10.11 |
| MCWHD-50X69X11 | 50 | 69 | 11 | 11.00 | 50.00 | 69.00 | 10.78 |
| MCWHD-55X72.5X11 | 55 | 72.5 | 11 | 11.00 | 55.00 | 72.50 | 12.73 |
| MCWHD-55X74X11 | 55 | 74 | 11 | 11.00 | 55.00 | 74.00 | 11.64 |
| MCWHD-60X79X11 | 60 | 79 | 11 | 11.00 | 60.00 | 79.00 | 19.46 |
| MCWHD-65X84.02X11 | 65 | 84.02 | 11 | 11.00 | 65.00 | 84.02 | 22.61 |
| MCWHD-80X100.4X14 | 80 | 100.4 | 14 | 14.00 | 80.00 | 100.40 | 23.10 |
| MCWHD-85X105X14 | 85 | 105 | 14 | 14.00 | 85.00 | 105.00 | 29.96 |
| MCWHD-90X110.35X14 | 90 | 110.35 | 14 | 14.00 | 90.00 | 110.35 | 26.67 |
| MCWHD-95X115X14 | 95 | 115 | 14 | 14.00 | 95.00 | 115.00 | 33.46 |

STYLE MDS LINK PIN DUST SEALS

Molded in nitrile with a steel case, this seal is double cased and used to exclude contaminants from cylinder link pins.



HERCULES PART NUMBERS



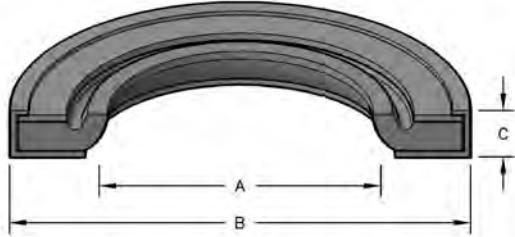
| SEAL INFORMATION | |
|-------------------|----------------------------|
| MATERIAL | NITRILE SEAL STEEL CASE |
| TEMPERATURE RANGE | -40° TO +220° F |
| SPEED | 3 FT/SEC |

| Part Number | A Nom. ID | B Nom. OD | C Nom. Ht | List Price |
|-----------------|--------------|--------------|--------------|------------|
| MDS-22X28X4 | 22 | 28 | 4 | \$3.59 |
| MDS-22X30X4 | 22 | 30 | 4 | 3.76 |
| MDS-25X32X4 | 25 | 32 | 4 | 3.88 |
| MDS-30X40X4 | 30 | 40 | 4 | 8.83 |
| MDS-35X42X4 | 35 | 42 | 4 | 4.15 |
| MDS-35X45X4 | 35 | 45 | 4 | 3.88 |
| MDS-40X50X4 | 40 | 50 | 4 | 8.83 |
| MDS-45X55X4 | 45 | 55 | 4 | 5.12 |
| MDS-50X58X4 | 50 | 58 | 4 | 4.71 |
| MDS-50X60X4 | 50 | 60 | 4 | 5.81 |
| MDS-50X63X4 | 50 | 63 | 4 | 5.56 |
| MDS-50X65X6 | 50 | 65 | 6 | 6.66 |
| MDS-55X68X4 | 55 | 68 | 4 | 7.72 |
| MDS-60X75X4 | 60 | 75 | 4 | 8.14 |
| MDS-65X80X4 | 65 | 80 | 4 | 9.45 |
| MDS-70X80X3 | 70 | 80 | 3 | 55.97 |
| MDS-70X85X4 | 70 | 85 | 4 | 10.29 |
| MDS-70X85X6 | 70 | 85 | 6 | 10.52 |
| MDS-75X90X4 | 75 | 90 | 4 | 11.57 |
| MDS-80X95X4 | 80 | 95 | 4 | 12.88 |
| MDS-80X95X6 | 80 | 95 | 6 | 16.29 |
| MDS-85X100X4 | 85 | 100 | 4 | 16.50 |
| MDS-90X105X4 | 90 | 105 | 4 | 16.94 |
| MDS-95X110X4 | 95 | 110 | 4 | 20.24 |
| MDS-100X115X4 | 100 | 115 | 4 | 19.74 |
| MDS-100X120X4 | 100 | 120 | 4 | 21.45 |
| MDS-110X125X4 | 110 | 125 | 4 | 23.17 |
| MDS-120X135X4 | 120 | 135 | 4 | 27.00 |
| MDS-140X160X7.5 | 140 | 160 | 7.5 | 34.66 |

PIN SEALS

STYLE MDSU LINK PIN DUST SEALS

Molded in urethane with a steel case, this seal is double cased and used to exclude contaminants from cylinder link pins.



HERCULES PART NUMBERS

MDSU - 25 X 35 X 4
 Type of Seal Inside Diameter Outside Diameter Height

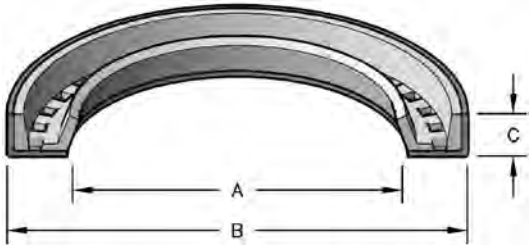
SEAL INFORMATION

| | |
|-------------------|-----------------------------|
| MATERIAL | URETHANE SEAL STEEL CASE |
| TEMPERATURE RANGE | -30° TO +200° F |
| SPEED | 3 FT/SEC |

| Part Number | A Nom. ID | B Nom. OD | C Nom. Ht | List Price |
|----------------|--------------|--------------|--------------|------------|
| MDSU-25X35X4 | 25 | 35 | 4 | \$7.46 |
| MDSU-30X40X4 | 30 | 40 | 4 | 8.22 |
| MDSU-35X45X4 | 35 | 45 | 4 | 8.22 |
| MDSU-40X50X4 | 40 | 50 | 4 | 9.55 |
| MDSU-40X50X6 | 40 | 50 | 6 | 9.85 |
| MDSU-45X55X4 | 45 | 55 | 4 | 10.15 |
| MDSU-45X55X6 | 45 | 55 | 6 | 10.60 |
| MDSU-50X60X4 | 50 | 60 | 4 | 11.20 |
| MDSU-50X60X6 | 50 | 60 | 6 | 11.64 |
| MDSU-50X65X6 | 50 | 65 | 6 | 12.69 |
| MDSU-55X68X4 | 55 | 68 | 4 | 12.24 |
| MDSU-55X70X6 | 55 | 70 | 6 | 13.44 |
| MDSU-55X75X6 | 55 | 75 | 6 | 14.78 |
| MDSU-60X75X4 | 60 | 75 | 4 | 13.44 |
| MDSU-60X75X6 | 60 | 75 | 6 | 14.33 |
| MDSU-65X75X4 | 65 | 75 | 4 | 13.14 |
| MDSU-65X80X4 | 65 | 80 | 4 | 14.49 |
| MDSU-70X80X6 | 70 | 80 | 6 | 14.78 |
| MDSU-70X85X6 | 70 | 85 | 6 | 15.98 |
| MDSU-80X95X4 | 80 | 95 | 4 | 20.95 |
| MDSU-85X100X4 | 85 | 100 | 4 | 15.61 |
| MDSU-95X110X8 | 95 | 110 | 8 | 19.34 |
| MDSU-100X115X4 | 100 | 115 | 4 | 21.21 |
| MDSU-100X115X8 | 100 | 115 | 8 | 23.90 |
| MDSU-110X125X4 | 110 | 125 | 4 | 24.34 |

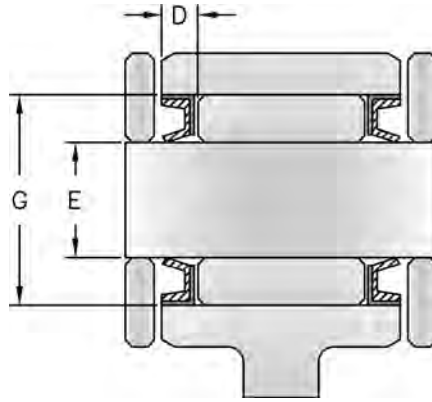
STYLE MCWA METAL CLAD DUST SEALS

This seal is single cased with a urethane lip and used to exclude contaminants from cylinder link pins.



HERCULES PART NUMBERS

MCWA - 30 X 40 X 4
 Type of Seal Inside Diameter Outside Diameter Height



| SEAL INFORMATION | |
|-------------------|-----------------------------|
| MATERIAL | URETHANE SEAL STEEL CASE |
| TEMPERATURE RANGE | -30° TO +200° F |
| SPEED | 3 FT/SEC |

| Part Number | A Nom. ID | B Nom. OD | C Nom. Ht | D GROOVE WIDTH | E ROD DIAMETER | G HOUSING DIAMETER | List Price |
|-----------------|--------------|--------------|--------------|------------------------|---------------------------|---------------------------|------------|
| MCWA-25X35X4 | 25 | 35 | 4 | 4.00 +0.50 +0.30 | 25.00 +0.000 -0.052 | 35.00 +0.039 +0.000 | \$8.11 |
| MCWA-30X40X4 | 30 | 40 | 4 | 4.00 +0.50 +0.30 | 30.00 +0.000 -0.052 | 40.00 +0.039 +0.000 | 5.51 |
| MCWA-30X40X5 | 30 | 40 | 5 | 5.00 +0.50 +0.30 | 30.00 +0.000 -0.052 | 40.00 +0.039 +0.000 | 8.60 |
| MCWA-35X45X5 | 35 | 45 | 5 | 5.00 +0.50 +0.30 | 35.00 +0.000 -0.062 | 45.00 +0.039 +0.000 | 8.93 |
| MCWA-35X45X6 | 35 | 45 | 6 | 6.00 +0.50 +0.30 | 35.00 +0.000 -0.062 | 45.00 +0.039 +0.000 | 25.05 |
| MCWA-40X50X3.18 | 40 | 50 | 3.18 | 3.18 +0.50 +0.30 | 40.00 +0.000 -0.062 | 50.00 +0.039 +0.000 | 11.81 |
| MCWA-40X50X4 | 40 | 50 | 4 | 4.00 +0.50 +0.30 | 40.00 +0.000 -0.062 | 50.00 +0.039 +0.000 | 14.59 |
| MCWA-40X50X5 | 40 | 50 | 5 | 5.00 +0.50 +0.30 | 40.00 +0.000 -0.062 | 50.00 +0.039 +0.000 | 20.57 |
| MCWA-42X52X5 | 42 | 52 | 5 | 5.00 +0.50 +0.30 | 42.00 +0.000 -0.062 | 52.00 +0.046 +0.000 | 10.07 |
| MCWA-45X55X3.18 | 45 | 55 | 3.18 | 3.18 +0.50 +0.30 | 45.00 +0.000 -0.062 | 55.00 +0.046 +0.000 | 14.92 |
| MCWA-45X55X4 | 45 | 55 | 4 | 4.00 +0.50 +0.30 | 45.00 +0.000 -0.062 | 55.00 +0.046 +0.000 | 18.18 |
| MCWA-45X55X5 | 45 | 55 | 5 | 5.00 +0.50 +0.30 | 45.00 +0.000 -0.062 | 55.00 +0.046 +0.000 | 9.90 |
| MCWA-45X55X6 | 45 | 55 | 6 | 6.00 +0.50 +0.30 | 45.00 +0.000 -0.062 | 55.00 +0.046 +0.000 | 18.46 |
| MCWA-45X60X5 | 45 | 60 | 5 | 5.00 +0.50 +0.30 | 45.00 +0.000 -0.062 | 60.00 +0.046 +0.000 | 10.56 |
| MCWA-50X60X4 | 50 | 60 | 4 | 4.00 +0.50 +0.30 | 50.00 +0.000 -0.062 | 60.00 +0.046 +0.000 | 10.56 |
| MCWA-50X60X5 | 50 | 60 | 5 | 5.00 +0.50 +0.30 | 50.00 +0.000 -0.062 | 60.00 +0.046 +0.000 | 10.56 |
| MCWA-50X63X8 | 50 | 63 | 8 | 8.00 +0.60 +0.40 | 50.00 +0.000 -0.062 | 63.00 +0.046 +0.000 | 11.85 |

FORMERLY LISTED SEALS ARE AVAILABLE ONLINE AT WWW.HERCULESUS.COM
 OR BY CONTACTING YOUR REGIONAL HERCULES SALES TEAM.



STYLE MCWA METAL CLAD DUST SEALS

PIN SEALS

| Part Number | A Nom. ID | B Nom. OD | C Nom. Ht | D GROOVE WIDTH | E ROD DIAMETER | G HOUSING DIAMETER | List Price |
|-----------------|--------------|--------------|--------------|--|---|---|---------------|
| MCWA-50X65X5 | 50 | 65 | 5 | 5.00 ^{+0.50} / _{+0.30} | 50.00 ^{+0.000} / _{-0.062} | 65.00 ^{+0.046} / _{+0.000} | 20.03 |
| MCWA-50X65X7.5 | 50 | 65 | 7.5 | 7.50 ^{+0.50} / _{+0.30} | 50.00 ^{+0.000} / _{-0.062} | 65.00 ^{+0.046} / _{+0.000} | 21.53 |
| MCWA-55X65X3.18 | 55 | 65 | 3.18 | 3.18 ^{+0.50} / _{+0.30} | 55.00 ^{+0.000} / _{-0.074} | 65.00 ^{+0.046} / _{+0.000} | 16.07 |
| MCWA-55X65X4 | 55 | 65 | 4 | 4.00 ^{+0.50} / _{+0.30} | 55.00 ^{+0.000} / _{-0.074} | 65.00 ^{+0.046} / _{+0.000} | 11.21 |
| MCWA-55X68X4 | 55 | 68 | 4 | 4.00 ^{+0.50} / _{+0.30} | 55.00 ^{+0.000} / _{-0.074} | 68.00 ^{+0.046} / _{+0.000} | 11.70 |
| MCWA-55X68X6 | 55 | 68 | 6 | 6.00 ^{+0.50} / _{+0.30} | 55.00 ^{+0.000} / _{-0.074} | 68.00 ^{+0.046} / _{+0.000} | 11.70 |
| MCWA-55X70X5 | 55 | 70 | 5 | 5.00 ^{+0.50} / _{+0.30} | 55.00 ^{+0.000} / _{-0.074} | 70.00 ^{+0.046} / _{+0.000} | 11.70 |
| MCWA-55X70X6 | 55 | 70 | 6 | 6.00 ^{+0.50} / _{+0.30} | 55.00 ^{+0.000} / _{-0.074} | 70.00 ^{+0.046} / _{+0.000} | 12.18 |
| MCWA-55X70X7.5 | 55 | 70 | 7.5 | 7.50 ^{+0.50} / _{+0.30} | 55.00 ^{+0.000} / _{-0.074} | 70.00 ^{+0.046} / _{+0.000} | 23.07 |
| MCWA-60X70X4 | 60 | 70 | 4 | 4.00 ^{+0.50} / _{+0.30} | 60.00 ^{+0.000} / _{-0.074} | 70.00 ^{+0.046} / _{+0.000} | 11.70 |
| MCWA-60X70X5 | 60 | 70 | 5 | 5.00 ^{+0.50} / _{+0.30} | 60.00 ^{+0.000} / _{-0.074} | 70.00 ^{+0.046} / _{+0.000} | 11.70 |
| MCWA-60X73X8 | 60 | 73 | 8 | 8.00 ^{+0.60} / _{+0.40} | 60.00 ^{+0.000} / _{-0.074} | 73.00 ^{+0.046} / _{+0.000} | 13.32 |
| MCWA-60X75X4 | 60 | 75 | 4 | 4.00 ^{+0.50} / _{+0.30} | 60.00 ^{+0.000} / _{-0.074} | 75.00 ^{+0.046} / _{+0.000} | 11.85 |
| MCWA-60X75X5 | 60 | 75 | 5 | 5.00 ^{+0.50} / _{+0.30} | 60.00 ^{+0.000} / _{-0.074} | 75.00 ^{+0.046} / _{+0.000} | 20.87 |
| MCWA-60X75X6 | 60 | 75 | 6 | 6.00 ^{+0.50} / _{+0.30} | 60.00 ^{+0.000} / _{-0.074} | 75.00 ^{+0.046} / _{+0.000} | 12.67 |
| MCWA-60X75X7.5 | 60 | 75 | 7.5 | 7.50 ^{+0.50} / _{+0.30} | 60.00 ^{+0.000} / _{-0.074} | 75.00 ^{+0.046} / _{+0.000} | 25.11 |
| MCWA-60X75X8 | 60 | 75 | 8 | 8.00 ^{+0.60} / _{+0.40} | 60.00 ^{+0.000} / _{-0.074} | 75.00 ^{+0.046} / _{+0.000} | 24.96 |
| MCWA-65X80X5 | 65 | 80 | 5 | 5.00 ^{+0.50} / _{+0.30} | 65.00 ^{+0.000} / _{-0.074} | 80.00 ^{+0.046} / _{+0.000} | 43.28 |
| MCWA-65X80X8 | 65 | 80 | 8 | 8.00 ^{+0.60} / _{+0.40} | 65.00 ^{+0.000} / _{-0.074} | 80.00 ^{+0.046} / _{+0.000} | 13.96 |
| MCWA-70X80X5 | 70 | 80 | 5 | 5.00 ^{+0.50} / _{+0.30} | 70.00 ^{+0.000} / _{-0.074} | 80.00 ^{+0.046} / _{+0.000} | 26.13 |
| MCWA-70X83X8 | 70 | 83 | 8 | 8.00 ^{+0.60} / _{+0.40} | 70.00 ^{+0.000} / _{-0.074} | 83.00 ^{+0.054} / _{+0.000} | 14.29 |
| MCWA-70X85X5 | 70 | 85 | 5 | 5.00 ^{+0.50} / _{+0.30} | 70.00 ^{+0.000} / _{-0.074} | 85.00 ^{+0.054} / _{+0.000} | 13.49 |
| MCWA-70X85X7.5 | 70 | 85 | 7.5 | 7.50 ^{+0.50} / _{+0.30} | 70.00 ^{+0.000} / _{-0.074} | 85.00 ^{+0.054} / _{+0.000} | 14.29 |
| MCWA-70X85X8 | 70 | 85 | 8 | 8.00 ^{+0.60} / _{+0.40} | 70.00 ^{+0.000} / _{-0.074} | 85.00 ^{+0.054} / _{+0.000} | 7.38 |
| MCWA-71X85X6 | 71 | 85 | 6 | 6.00 ^{+0.50} / _{+0.30} | 71.00 ^{+0.000} / _{-0.074} | 85.00 ^{+0.054} / _{+0.000} | 14.96 |
| MCWA-71X86X5 | 71 | 86 | 5 | 5.00 ^{+0.50} / _{+0.30} | 71.00 ^{+0.000} / _{-0.074} | 86.00 ^{+0.054} / _{+0.000} | 27.16 |
| MCWA-75X90X5 | 75 | 90 | 5 | 5.00 ^{+0.50} / _{+0.30} | 75.00 ^{+0.000} / _{-0.074} | 90.00 ^{+0.054} / _{+0.000} | 15.13 |
| MCWA-75X90X8 | 75 | 90 | 8 | 8.00 ^{+0.60} / _{+0.40} | 75.00 ^{+0.000} / _{-0.074} | 90.00 ^{+0.054} / _{+0.000} | 28.96 |
| MCWA-80X90X3.18 | 80 | 90 | 3.18 | 3.18 ^{+0.50} / _{+0.30} | 80.00 ^{+0.000} / _{-0.074} | 90.00 ^{+0.054} / _{+0.000} | 33.33 |
| MCWA-80X90X7 | 80 | 90 | 7 | 7.00 ^{+0.50} / _{+0.30} | 80.00 ^{+0.000} / _{-0.074} | 90.00 ^{+0.054} / _{+0.000} | 29.28 |
| MCWA-80X93X8 | 80 | 93 | 8 | 8.00 ^{+0.60} / _{+0.40} | 80.00 ^{+0.000} / _{-0.074} | 93.00 ^{+0.054} / _{+0.000} | 16.19 |
| MCWA-80X95X5 | 80 | 95 | 5 | 5.00 ^{+0.50} / _{+0.30} | 80.00 ^{+0.000} / _{-0.074} | 95.00 ^{+0.054} / _{+0.000} | 31.21 |
| MCWA-80X95X6 | 80 | 95 | 6 | 6.00 ^{+0.50} / _{+0.30} | 80.00 ^{+0.000} / _{-0.074} | 95.00 ^{+0.054} / _{+0.000} | 15.38 |

NORTH AMERICA
PHONE 1-800-777-5617
FAX 1-800-759-6391

SALES OFFICE HOURS
8 A.M. TO 7:30 P.M. EASTERN TIME
www.HerculesUS.com

WORLDWIDE
PHONE 1-727-796-1300
FAX 1-727-797-8849

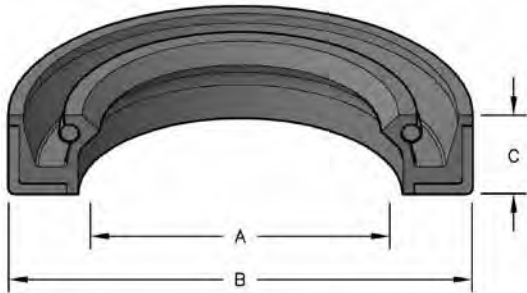


STYLE MCWA METAL CLAD DUST SEALS

| Part Number | A Nom. ID | B Nom. OD | C Nom. Ht | D GROOVE WIDTH | E ROD DIAMETER | G HOUSING DIAMETER | List Price |
|-----------------|--------------|--------------|--------------|-------------------------|----------------------------|----------------------------|---------------|
| MCWA-80X95X8 | 80 | 95 | 8 | 8.00 +0.60 +0.40 | 80.00 +0.000 -0.074 | 95.00 +0.054 +0.000 | 16.34 |
| MCWA-80X100X6 | 80 | 100 | 6 | 6.00 +0.50 +0.30 | 80.00 +0.000 -0.074 | 100.00 +0.054 +0.000 | 17.24 |
| MCWA-85X100X8 | 85 | 100 | 8 | 8.00 +0.60 +0.40 | 85.00 +0.000 -0.087 | 100.00 +0.054 +0.000 | 29.30 |
| MCWA-90X100X7 | 90 | 100 | 7 | 7.00 +0.50 +0.30 | 90.00 +0.000 -0.087 | 100.00 +0.054 +0.000 | 30.57 |
| MCWA-90X105X5 | 90 | 105 | 5 | 5.00 +0.50 +0.30 | 90.00 +0.000 -0.087 | 105.00 +0.054 +0.000 | 18.30 |
| MCWA-90X105X6 | 90 | 105 | 6 | 6.00 +0.50 +0.30 | 90.00 +0.000 -0.087 | 105.00 +0.054 +0.000 | 19.00 |
| MCWA-90X105X8 | 90 | 105 | 8 | 8.00 +0.60 +0.40 | 90.00 +0.000 -0.087 | 105.00 +0.054 +0.000 | 21.11 |
| MCWA-90X110X10 | 90 | 110 | 10 | 10.00 +0.60 +0.40 | 90.00 +0.000 -0.087 | 110.00 +0.054 +0.000 | 19.27 |
| MCWA-100X110X7 | 100 | 110 | 7 | 7.00 +0.50 +0.30 | 100.00 +0.000 -0.087 | 110.00 +0.054 +0.000 | 35.81 |
| MCWA-100X115X7 | 100 | 115 | 7 | 7.00 +0.50 +0.30 | 100.00 +0.000 -0.087 | 115.00 +0.054 +0.000 | 19.18 |
| MCWA-100X115X8 | 100 | 115 | 8 | 8.00 +0.60 +0.40 | 100.00 +0.000 -0.087 | 115.00 +0.054 +0.000 | 11.61 |
| MCWA-100X120X8 | 100 | 120 | 8 | 8.00 +0.60 +0.40 | 100.00 +0.000 -0.087 | 120.00 +0.054 +0.000 | 26.74 |
| MCWA-100X120X10 | 100 | 120 | 10 | 10.00 +0.60 +0.40 | 100.00 +0.000 -0.087 | 120.00 +0.054 +0.000 | 24.98 |
| MCWA-105X120X7 | 105 | 120 | 7 | 7.00 +0.50 +0.30 | 105.00 +0.000 -0.087 | 120.00 +0.054 +0.000 | 25.16 |
| MCWA-110X125X4 | 110 | 125 | 4 | 4.00 +0.50 +0.30 | 110.00 +0.000 -0.087 | 125.00 +0.063 +0.000 | 26.74 |
| MCWA-110X125X5 | 110 | 125 | 5 | 5.00 +0.50 +0.30 | 110.00 +0.000 -0.087 | 125.00 +0.063 +0.000 | 27.62 |
| MCWA-110X125X8 | 110 | 125 | 8 | 8.00 +0.60 +0.40 | 110.00 +0.000 -0.087 | 125.00 +0.063 +0.000 | 26.92 |
| MCWA-110X125X9 | 110 | 125 | 9 | 9.00 +0.60 +0.40 | 110.00 +0.000 -0.087 | 125.00 +0.063 +0.000 | 27.45 |
| MCWA-120X130X7 | 120 | 130 | 7 | 7.00 +0.50 +0.30 | 120.00 +0.000 -0.087 | 130.00 +0.063 +0.000 | 38.24 |
| MCWA-120X135X5 | 120 | 135 | 5 | 5.00 +0.50 +0.30 | 120.00 +0.000 -0.087 | 135.00 +0.063 +0.000 | 26.04 |
| MCWA-120X135X8 | 120 | 135 | 8 | 8.00 +0.60 +0.40 | 120.00 +0.000 -0.087 | 135.00 +0.063 +0.000 | 28.15 |
| MCWA-125X140X8 | 125 | 140 | 8 | 8.00 +0.60 +0.40 | 125.00 +0.000 -0.10 | 140.00 +0.063 +0.000 | 28.15 |
| MCWA-130X140X7 | 130 | 140 | 7 | 7.00 +0.50 +0.30 | 130.00 +0.000 -0.10 | 140.00 +0.063 +0.000 | 34.89 |
| MCWA-140X155X8 | 140 | 155 | 8 | 8.00 +0.60 +0.40 | 140.00 +0.000 -0.10 | 155.00 +0.063 +0.000 | 26.38 |
| MCWA-160X180X8 | 160 | 180 | 8 | 8.00 +0.60 +0.40 | 160.00 +0.000 -0.10 | 180.00 +0.063 +0.000 | 38.72 |

PIN SEALS

OIL SEALS

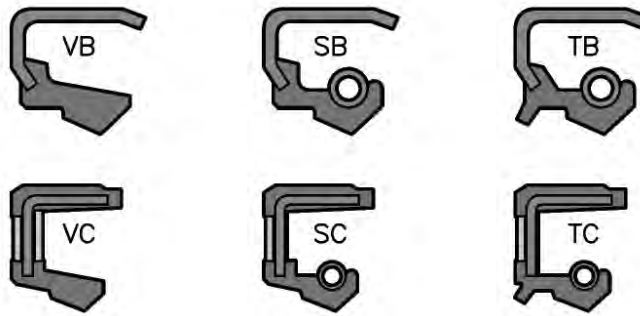


HERCULES PART NUMBERS

MOS - 8 X 16 X 7TC
 Type of Seal Inside Diameter Outside Diameter Height

| SEAL INFORMATION | |
|-------------------|---------------------------|
| MATERIAL | RUBBER SEAL STEEL CASE |
| TEMPERATURE RANGE | -40° TO +225° F |
| PRESSURE RANGE | 10 PSI @ 1000 FPM |
| SPEED | 3 FT/SEC |

OIL SEALS



| Part Number | A Nom. ID | B Nom. OD | C Nom. Ht | List Price |
|-----------------|-----------|-----------|-----------|------------|
| MOS-8X16X7TC | 8 | 16 | 7 | \$5.36 |
| MOS-8X18X5TC | 8 | 18 | 5 | 5.36 |
| MOS-8X25X8TC | 8 | 25 | 8 | 5.40 |
| MOS-10X19X7TC | 10 | 19 | 7 | 5.36 |
| MOS-10X20X7TC | 10 | 20 | 7 | 5.36 |
| MOS-10X22X7TC | 10 | 22 | 7 | 5.40 |
| MOS-10X30X7SC | 10 | 30 | 7 | 5.00 |
| MOS-12X19X3VC | 12 | 19 | 3 | 4.94 |
| MOS-12X20X4TC | 12 | 20 | 4 | 5.36 |
| MOS-12X20X5TC | 12 | 20 | 5 | 5.36 |
| MOS-12X22X7TC | 12 | 22 | 7 | 5.40 |
| MOS-12X24X7TC | 12 | 24 | 7 | 5.40 |
| MOS-12X25X7TC | 12 | 25 | 7 | 5.56 |
| MOS-12X26X7TC | 12 | 26 | 7 | 5.56 |
| MOS-12X28X7TC | 12 | 28 | 7 | 5.56 |
| MOS-13X25X7SC | 13 | 25 | 7 | 5.56 |
| MOS-14X20X3TC | 14 | 20 | 3 | 5.46 |
| MOS-14X24X6TC | 14 | 24 | 6 | 5.40 |
| MOS-14X24X7TC | 14 | 24 | 7 | 5.40 |
| MOS-14X28X7TC | 14 | 28 | 7 | 5.56 |
| MOS-15X24X7TC | 15 | 24 | 7 | 5.35 |
| MOS-15X25X7TC | 15 | 25 | 7 | 5.40 |
| MOS-15X28X7TC | 15 | 28 | 7 | 5.39 |
| MOS-15X30X7TC | 15 | 30 | 7 | 5.60 |
| MOS-15X32X7TC | 15 | 32 | 7 | 7.31 |
| MOS-15X35X7TC | 15 | 35 | 7 | 6.57 |
| MOS-16X20X2.5VM | 16 | 20 | 2.5 | 5.03 |
| MOS-16X26X6TC | 16 | 26 | 6 | 5.56 |
| MOS-16X28X7TC | 16 | 28 | 7 | 5.56 |
| MOS-16X30X7TC | 16 | 30 | 7 | 5.56 |
| MOS-16X35X7TC | 16 | 35 | 7 | 6.57 |

| Part Number | A Nom. ID | B Nom. OD | C Nom. Ht | List Price |
|---------------|-----------|-----------|-----------|------------|
| MOS-17X28X7TC | 17 | 28 | 7 | 5.56 |
| MOS-17X29X7TC | 17 | 29 | 7 | 5.56 |
| MOS-17X30X6TC | 17 | 30 | 6 | 5.56 |
| MOS-17X30X7TC | 17 | 30 | 7 | 5.73 |
| MOS-17X30X8TC | 17 | 30 | 8 | 5.56 |
| MOS-17X32X7TC | 17 | 32 | 7 | 5.97 |
| MOS-17X35X8TC | 17 | 35 | 8 | 5.97 |
| MOS-17X38X7TC | 17 | 38 | 7 | 7.19 |
| MOS-18X24X3KC | 18 | 24 | 3 | 5.03 |
| MOS-18X28X4SC | 18 | 28 | 4 | 5.11 |
| MOS-18X28X7TC | 18 | 28 | 7 | 6.83 |
| MOS-18X30X7TC | 18 | 30 | 7 | 7.31 |
| MOS-18X30X8TC | 18 | 30 | 8 | 5.56 |
| MOS-18X32X7TC | 18 | 32 | 7 | 6.57 |
| MOS-18X35X7TC | 18 | 35 | 7 | 6.57 |
| MOS-19X30X7TC | 19 | 30 | 7 | 5.97 |
| MOS-19X34X7TC | 19 | 34 | 7 | 5.97 |
| MOS-19X35X7TC | 19 | 35 | 7 | 6.57 |
| MOS-20X26X4VC | 20 | 26 | 4 | 5.84 |
| MOS-20X26X4VM | 20 | 26 | 4 | 5.97 |
| MOS-20X28X4TM | 20 | 28 | 4 | 7.79 |
| MOS-20X30X7TC | 20 | 30 | 7 | 6.44 |
| MOS-20X32X7TC | 20 | 32 | 7 | 6.57 |
| MOS-20X33X5TC | 20 | 33 | 5 | 6.57 |
| MOS-20X35X6TC | 20 | 35 | 6 | 6.57 |
| MOS-20X35X7TC | 20 | 35 | 7 | 6.62 |
| MOS-20X36X7TC | 20 | 36 | 7 | 7.19 |
| MOS-20X40X7TC | 20 | 40 | 7 | 7.31 |
| MOS-20X45X7TC | 20 | 45 | 7 | 7.79 |
| MOS-20X47X7TC | 20 | 47 | 7 | 8.46 |
| MOS-22X28X4KC | 22 | 28 | 4 | 5.92 |

NORTH AMERICA
 PHONE 1-800-777-5617
 FAX 1-800-759-6391

SALES OFFICE HOURS
 8 A.M. TO 7:30 P.M. EASTERN TIME
www.HerculesUS.com

WORLDWIDE
 PHONE 1-727-796-1300
 FAX 1-727-797-8849



OIL SEALS

| Part Number | A Nom. ID | B Nom. OD | C Nom. Ht | List Price |
|-----------------|-----------|-----------|-----------|------------|
| MOS-22X32X7SC | 22 | 32 | 7 | 5.97 |
| MOS-22X32X7TC | 22 | 32 | 7 | 6.57 |
| MOS-22X35X5TC | 22 | 35 | 5 | 6.57 |
| MOS-22X35X7TC | 22 | 35 | 7 | 6.57 |
| MOS-22X35X8TC | 22 | 35 | 8 | 6.57 |
| MOS-22X36X7TC | 22 | 36 | 7 | 7.19 |
| MOS-22X38X7TC | 22 | 38 | 7 | 8.35 |
| MOS-22X40X7TC | 22 | 40 | 7 | 8.35 |
| MOS-22X42X7TC | 22 | 42 | 7 | 8.35 |
| MOS-22X52X10TC | 22 | 52 | 10 | 10.03 |
| MOS-23X34X8TC | 23 | 34 | 8 | 9.59 |
| MOS-24X40X7TC | 24 | 40 | 7 | 8.35 |
| MOS-25X35X5TB-H | 25 | 35 | 5 | 11.94 |
| MOS-25X35X6TC | 25 | 35 | 6 | 11.46 |
| MOS-25X35X7TC | 25 | 35 | 7 | 7.63 |
| MOS-25X35X8TC | 25 | 35 | 8 | 7.63 |
| MOS-25X36X7TC | 25 | 36 | 7 | 7.63 |
| MOS-25X40X5TC | 25 | 40 | 5 | 7.09 |
| MOS-25X40X7SC | 25 | 40 | 7 | 6.35 |
| MOS-25X40X7TC | 25 | 40 | 7 | 7.09 |
| MOS-25X40X8TC | 25 | 40 | 8 | 7.09 |
| MOS-25X40X10TC | 25 | 40 | 10 | 7.73 |
| MOS-25X42X6TC | 25 | 42 | 6 | 7.79 |
| MOS-25X42X7TC | 25 | 42 | 7 | 7.79 |
| MOS-25X45X8TC | 25 | 45 | 8 | 7.79 |
| MOS-25X45X10TC | 25 | 45 | 10 | 7.79 |
| MOS-25X52X7TC | 25 | 52 | 7 | 9.26 |
| MOS-25X52X10TC | 25 | 52 | 10 | 9.57 |
| MOS-25X62X7TC | 25 | 62 | 7 | 11.17 |
| MOS-26X37X7TC | 26 | 37 | 7 | 7.09 |
| MOS-26X40X7TC | 26 | 40 | 7 | 7.09 |
| MOS-27X43X8TC | 27 | 43 | 8 | 7.79 |
| MOS-28X38X5TC | 28 | 38 | 5 | 8.85 |
| MOS-28X38X7TC | 28 | 38 | 7 | 7.09 |
| MOS-28X40X5TC | 28 | 40 | 5 | 7.79 |
| MOS-28X40X7TC | 28 | 40 | 7 | 7.79 |
| MOS-28X42X7TC | 28 | 42 | 7 | 7.79 |
| MOS-28X42X8TC | 28 | 42 | 8 | 7.79 |
| MOS-28X47X7TC | 28 | 47 | 7 | 8.46 |
| MOS-28X47X10TC | 28 | 47 | 10 | 8.46 |
| MOS-28X48X8TC | 28 | 48 | 8 | 8.26 |
| MOS-30X38X4SC | 30 | 38 | 4 | 6.52 |
| MOS-30X40X7SB | 30 | 40 | 7 | 7.73 |
| MOS-30X40X7TC | 30 | 40 | 7 | 7.09 |
| MOS-30X42X7TC | 30 | 42 | 7 | 8.28 |
| MOS-30X42X8TC | 30 | 42 | 8 | 8.28 |
| MOS-30X43X8TC | 30 | 43 | 8 | 8.28 |
| MOS-30X45X6TC | 30 | 45 | 6 | 8.28 |
| MOS-30X45X8TC | 30 | 45 | 8 | 8.28 |
| MOS-30X46X8TC | 30 | 46 | 8 | 8.46 |
| MOS-30X47X7TC | 30 | 47 | 7 | 8.46 |
| MOS-30X48X8TC | 30 | 48 | 8 | 8.46 |
| MOS-30X50X7TC | 30 | 50 | 7 | 8.46 |
| MOS-30X52X7TC | 30 | 52 | 7 | 8.69 |
| MOS-30X52X8TC | 30 | 52 | 8 | 8.88 |
| MOS-32X42X7TC | 32 | 42 | 7 | 7.79 |
| MOS-32X44X8TC | 32 | 44 | 8 | 7.79 |
| MOS-32X45X7TC | 32 | 45 | 7 | 7.79 |

| Part Number | A Nom. ID | B Nom. OD | C Nom. Ht | List Price |
|-----------------|-----------|-----------|-----------|------------|
| MOS-32X48X8TC | 32 | 48 | 8 | 8.51 |
| MOS-32X52X8TC | 32 | 52 | 8 | 6.62 |
| MOS-32X52X11TC | 32 | 52 | 11 | 9.26 |
| MOS-33X45X7SC | 33 | 45 | 7 | 7.09 |
| MOS-34X48X7TC | 34 | 48 | 7 | 8.46 |
| MOS-34X52X10SC | 34 | 52 | 10 | 8.28 |
| MOS-35X45X5VM | 35 | 45 | 5 | 15.99 |
| MOS-35X45X7TC | 35 | 45 | 7 | 9.11 |
| MOS-35X46X7TC | 35 | 46 | 7 | 9.45 |
| MOS-35X47X7TC | 35 | 47 | 7 | 9.45 |
| MOS-35X48X8TC | 35 | 48 | 8 | 10.03 |
| MOS-35X50X7TC | 35 | 50 | 7 | 10.03 |
| MOS-35X50X8TC | 35 | 50 | 8 | 10.03 |
| MOS-35X50X10TC | 35 | 50 | 10 | 10.26 |
| MOS-35X52X7TC | 35 | 52 | 7 | 11.03 |
| MOS-35X52X8TC | 35 | 52 | 8 | 8.94 |
| MOS-35X54X8TC | 35 | 54 | 8 | 11.03 |
| MOS-35X55X8TC | 35 | 55 | 8 | 11.03 |
| MOS-35X55X11TC | 35 | 55 | 11 | 11.03 |
| MOS-35X60X10SC | 35 | 60 | 10 | 10.12 |
| MOS-35X62X10TC | 35 | 62 | 10 | 12.07 |
| MOS-35X72X8TC | 35 | 72 | 8 | 15.80 |
| MOS-38X50X7TC | 38 | 50 | 7 | 11.03 |
| MOS-38X58X10TC | 38 | 58 | 10 | 9.26 |
| MOS-40X50X5TB-H | 40 | 50 | 5 | 10.77 |
| MOS-40X50X8TC | 40 | 50 | 8 | 11.73 |
| MOS-40X52X5TC | 40 | 52 | 5 | 11.73 |
| MOS-40X52X7SC | 40 | 52 | 7 | 9.04 |
| MOS-40X52X7TC | 40 | 52 | 7 | 11.73 |
| MOS-40X54X7TC | 40 | 54 | 7 | 11.73 |
| MOS-40X55X7TC | 40 | 55 | 7 | 11.73 |
| MOS-40X55X8TC | 40 | 55 | 8 | 11.73 |
| MOS-40X56X7TC | 40 | 56 | 7 | 12.07 |
| MOS-40X58X8TC | 40 | 58 | 8 | 12.07 |
| MOS-40X60X10TC | 40 | 60 | 10 | 13.19 |
| MOS-40X62X7TC | 40 | 62 | 7 | 8.76 |
| MOS-40X62X10TC | 40 | 62 | 10 | 13.19 |
| MOS-40X62X12TC | 40 | 62 | 12 | 11.17 |
| MOS-40X68X7TC | 40 | 68 | 7 | 14.48 |
| MOS-40X72X10TC | 40 | 72 | 10 | 16.16 |
| MOS-41X54X11DC | 41 | 54 | 11 | 15.71 |
| MOS-42X52X8TC | 42 | 52 | 8 | 11.03 |
| MOS-42X55X7TC | 42 | 55 | 7 | 11.03 |
| MOS-42X60X9TC * | 42 | 60 | 9 | 2.50 |
| MOS-42X60X10TC | 42 | 60 | 10 | 6.07 |
| MOS-42X62X8TC | 42 | 62 | 8 | 13.19 |
| MOS-44X60X7TC | 44 | 60 | 7 | 13.19 |
| MOS-44X62X8TC | 44 | 62 | 8 | 13.19 |
| MOS-45X55X4VC | 45 | 55 | 4 | 7.46 |
| MOS-45X58X7TC | 45 | 58 | 7 | 12.07 |
| MOS-45X60X7TC | 45 | 60 | 7 | 10.12 |
| MOS-45X62X7TC | 45 | 62 | 7 | 11.17 |
| MOS-45X62X7VTC | 45 | 62 | 7 | 25.59 |
| MOS-45X62X8TC | 45 | 62 | 8 | 11.17 |
| MOS-45X62X10SA | 45 | 62 | 10 | 3.69 |
| MOS-45X65X7TC | 45 | 65 | 7 | 11.17 |
| MOS-45X65X8TC | 45 | 65 | 8 | 11.17 |
| MOS-45X65X12TC | 45 | 65 | 12 | 11.17 |

OIL SEALS

* Closeout item - Price Shown as Net. This item will no longer be available once stock has been depleted.

FORMERLY LISTED SEALS ARE AVAILABLE ONLINE AT WWW.HERCULESUS.COM
OR BY CONTACTING YOUR REGIONAL HERCULES SALES TEAM.



OIL SEALS

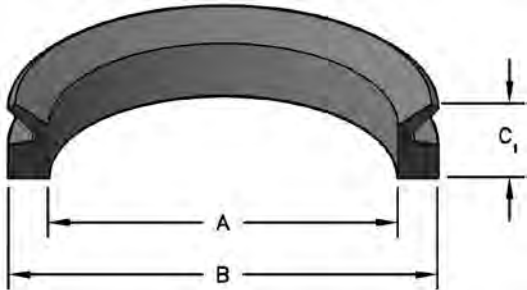
OIL SEALS

| Part Number | A Nom. ID | B Nom. OD | C Nom. Ht | List Price |
|-----------------|-----------|-----------|-----------|------------|
| MOS-45X68X8TC | 45 | 68 | 8 | 12.11 |
| MOS-45X68X10TC | 45 | 68 | 10 | 12.17 |
| MOS-45X68X12TC | 45 | 68 | 12 | 14.48 |
| MOS-45X72X8TC | 45 | 72 | 8 | 13.28 |
| MOS-45X72X10TC | 45 | 72 | 10 | 13.28 |
| MOS-48X62X8TC | 48 | 62 | 8 | 11.17 |
| MOS-48X65X10TC | 48 | 65 | 10 | 11.17 |
| MOS-50X60X5TB-H | 50 | 60 | 5 | 13.25 |
| MOS-50X60X8TC | 50 | 60 | 8 | 10.12 |
| MOS-50X62X7TC | 50 | 62 | 7 | 11.03 |
| MOS-50X65X6TC | 50 | 65 | 6 | 11.17 |
| MOS-50X65X8TC | 50 | 65 | 8 | 11.17 |
| MOS-50X68X8TC | 50 | 68 | 8 | 12.11 |
| MOS-50X70X10TC | 50 | 70 | 10 | 12.11 |
| MOS-50X72X8TC | 50 | 72 | 8 | 13.28 |
| MOS-50X72X12TC | 50 | 72 | 12 | 13.28 |
| MOS-50X75X12TC | 50 | 75 | 12 | 13.28 |
| MOS-50X80X8TC | 50 | 80 | 8 | 14.58 |
| MOS-50X85X8TC | 50 | 85 | 8 | 15.93 |
| MOS-50X90X10TC | 50 | 90 | 10 | 17.50 |
| MOS-54X68X10TC | 54 | 68 | 10 | 12.11 |
| MOS-55X68X8TC | 55 | 68 | 8 | 12.11 |
| MOS-55X70X8TC | 55 | 70 | 8 | 12.11 |
| MOS-55X72X8TC | 55 | 72 | 8 | 13.28 |
| MOS-55X72X10TC | 55 | 72 | 10 | 13.28 |
| MOS-55X80X10TC | 55 | 80 | 10 | 14.58 |
| MOS-55X85X10TC | 55 | 85 | 10 | 15.93 |
| MOS-55X90X10TC | 55 | 90 | 10 | 17.50 |
| MOS-60X75X8TC | 60 | 75 | 8 | 13.28 |
| MOS-60X78X9TC | 60 | 78 | 9 | 14.58 |
| MOS-60X80X9TC | 60 | 80 | 9 | 14.58 |
| MOS-60X80X10TC | 60 | 80 | 10 | 14.58 |
| MOS-60X80X12TC | 60 | 80 | 12 | 14.58 |
| MOS-60X82X12TC | 60 | 82 | 12 | 14.58 |
| MOS-60X85X10TC | 60 | 85 | 10 | 15.93 |
| MOS-60X95X10TC | 60 | 95 | 10 | 19.20 |
| MOS-62X78X8SB | 62 | 78 | 8 | 13.28 |
| MOS-62X80X10TC | 62 | 80 | 10 | 14.58 |
| MOS-62X85X8TC | 62 | 85 | 8 | 15.93 |
| MOS-62X85X10SC | 62 | 85 | 10 | 5.14 |
| MOS-65X85X10TC | 65 | 85 | 10 | 15.93 |
| MOS-65X88X12TC | 65 | 88 | 12 | 17.50 |
| MOS-65X90X10TC | 65 | 90 | 10 | 17.50 |
| MOS-68X90X10TC | 68 | 90 | 10 | 17.50 |
| MOS-70X80X10TC | 70 | 80 | 10 | 14.58 |
| MOS-70X85X8TC | 70 | 85 | 8 | 15.93 |
| MOS-70X90X7TC | 70 | 90 | 7 | 17.50 |
| MOS-70X90X10TC | 70 | 90 | 10 | 17.50 |
| MOS-70X90X12TC | 70 | 90 | 12 | 17.50 |
| MOS-70X95X13TC | 70 | 95 | 13 | 19.20 |
| MOS-70X100X10TC | 70 | 100 | 10 | 19.24 |
| MOS-70X110X10TC | 70 | 110 | 10 | 25.33 |
| MOS-75X95X10TC | 75 | 95 | 10 | 19.24 |
| MOS-75X100X10TC | 75 | 100 | 10 | 21.03 |
| MOS-80X100X7TC | 80 | 100 | 7 | 21.03 |
| MOS-80X100X10TC | 80 | 100 | 10 | 21.03 |
| MOS-80X105X10TC | 80 | 105 | 10 | 23.12 |
| MOS-80X105X13TC | 80 | 105 | 13 | 23.12 |

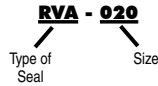
| Part Number | A Nom. ID | B Nom. OD | C Nom. Ht | List Price |
|--------------------|-----------|-----------|-----------|------------|
| MOS-80X115X13TC | 80 | 115 | 13 | 27.82 |
| MOS-82X105X12TC | 82 | 105 | 12 | 41.23 |
| MOS-85X100X12TC | 85 | 100 | 12 | 21.03 |
| MOS-85X103X7.5VTCL | 85 | 103 | 7.5 | 24.61 |
| MOS-85X110X10SC | 85 | 110 | 10 | 23.12 |
| MOS-85X110X12TC | 85 | 110 | 12 | 25.33 |
| MOS-85X110X12VTC | 85 | 110 | 12 | 41.52 |
| MOS-90X105X10TC | 90 | 105 | 10 | 23.12 |
| MOS-90X110X12TC | 90 | 110 | 12 | 25.33 |
| MOS-90X115X13TB | 90 | 115 | 13 | 33.20 |
| MOS-90X120X13TC | 90 | 120 | 13 | 30.52 |
| MOS-95X120X12TC | 95 | 120 | 12 | 30.52 |
| MOS-95X130X12TC | 95 | 130 | 12 | 36.83 |
| MOS-100X125X12TC | 100 | 125 | 12 | 33.54 |
| MOS-105X130X12TC | 105 | 130 | 12 | 39.68 |
| MOS-110X140X12TC | 110 | 140 | 12 | 40.74 |
| MOS-115X140X13TC | 115 | 140 | 13 | 40.74 |
| MOS-115X145X14TC | 115 | 145 | 14 | 42.84 |
| MOS-120X140X13SC | 120 | 140 | 13 | 23.79 |
| MOS-120X150X12SC | 120 | 150 | 12 | 13.80 |
| MOS-120X150X12TC | 120 | 150 | 12 | 45.08 |
| MOS-120X150X13SC | 120 | 150 | 13 | 23.79 |
| MOS-120X150X15TC | 120 | 150 | 15 | 42.71 |
| MOS-125X150X12VTF | 125 | 150 | 12 | 159.95 |
| MOS-130X160X12TC | 130 | 160 | 12 | 49.89 |
| MOS-140X170X13TC | 140 | 170 | 13 | 43.86 |
| MOS-150X180X15TC | 150 | 180 | 15 | 63.65 |
| MOS-180X210X15TC | 180 | 210 | 15 | 40.72 |
| MOS-200X230X13TC | 200 | 230 | 13 | 106.23 |
| MOS-200X230X15TC | 200 | 230 | 15 | 84.34 |

RVA STYLE OIL SEALS

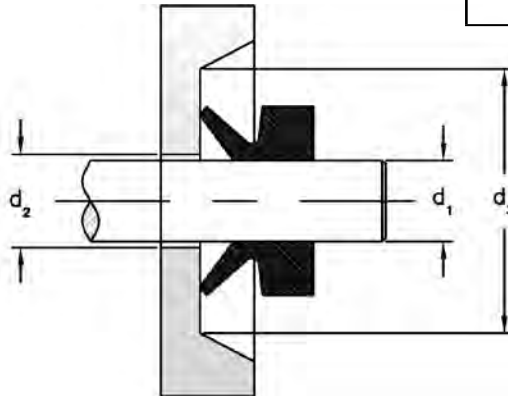
A V-ring is a nitrile seal that mounts directly on a shaft and seals axially against either the housing or the metal case of a shaft seal. A V-ring will rotate with the shaft unlike a normal shaft seal and, since it is rotating, V-rings are often used as slingers or deflectors



HERCULES PART NUMBERS



| SEAL INFORMATION | |
|-------------------|-----------------|
| MATERIAL | NITRILE |
| TEMPERATURE RANGE | -40° TO +225° F |
| PRESSURE RANGE | 0 - 5 PSI |
| SPEED | 1.5 FT/SEC |



| Part Number | d1 Shaft Diameter | A Nom. ID | B Nom. OD | C ₁ OVERALL HEIGHT | Maximum d2 | Minimum d3 | List Price |
|-------------|-------------------|-----------|-----------|-------------------------------|------------|------------|------------|
| RVA-020 | 19~21 | 18 | 26 | 7.50 | d1+2 | d1+12 | \$1.14 |
| RVA-022 | 21~24 | 20 | 28 | 7.50 | d1+2 | d1+12 | 1.17 |
| RVA-025 | 24~27 | 22 | 30 | 7.50 | d1+2 | d1+12 | 1.20 |
| RVA-028 | 27~29 | 25 | 33 | 7.50 | d1+3 | d1+12 | 1.24 |
| RVA-030 | 29~31 | 27 | 35 | 7.50 | d1+3 | d1+12 | 1.88 |
| RVA-040 | 38~43 | 36 | 46 | 9.00 | d1+3 | d1+15 | 4.12 |
| RVA-045 | 43~48 | 40 | 50 | 9.00 | d1+3 | d1+15 | 1.43 |
| RVA-050 | 48~53 | 45 | 55 | 9.00 | d1+3 | d1+15 | 1.64 |
| RVA-055 | 53~58 | 49 | 59 | 9.00 | d1+3 | d1+15 | 4.76 |
| RVA-060 | 58~63 | 54 | 64 | 9.00 | d1+3 | d1+15 | 3.78 |
| RVA-065 | 63~68 | 58 | 68 | 9.00 | d1+3 | d1+15 | 3.92 |
| RVA-070 | 68~73 | 63 | 75 | 11.00 | d1+4 | d1+18 | 5.89 |
| RVA-075 | 73~78 | 67 | 79 | 11.00 | d1+4 | d1+18 | 4.13 |
| RVA-080 | 78~83 | 72 | 84 | 11.00 | d1+4 | d1+18 | 6.93 |
| RVA-085 | 83~88 | 76 | 88 | 11.00 | d1+4 | d1+18 | 10.15 |
| RVA-090 | 88~93 | 81 | 93 | 11.00 | d1+4 | d1+18 | 5.52 |
| RVA-095 | 93~98 | 85 | 97 | 11.00 | d1+4 | d1+18 | 9.94 |
| RVA-100 | 98~105 | 90 | 102 | 11.00 | d1+4 | d1+18 | 6.15 |
| RVA-110 | 105~115 | 99 | 113 | 12.80 | d1+4 | d1+21 | 6.35 |
| RVA-120 | 115~125 | 108 | 122 | 12.80 | d1+4 | d1+21 | 16.53 |
| RVA-130 | 125~135 | 117 | 131 | 12.80 | d1+4 | d1+21 | 8.58 |
| RVA-140 | 135~145 | 126 | 140 | 12.80 | d1+4 | d1+21 | 8.22 |
| RVA-150 | 145~155 | 135 | 149 | 12.80 | d1+4 | d1+21 | 36.80 |
| RVA-160 | 155~165 | 144 | 160 | 14.50 | d1+5 | d1+24 | 11.37 |
| RVA-170 | 165~175 | 153 | 169 | 14.50 | d1+5 | d1+24 | 11.86 |
| RVA-180 | 175~185 | 162 | 178 | 14.50 | d1+5 | d1+24 | 11.76 |

FORMERLY LISTED SEALS ARE AVAILABLE ONLINE AT WWW.HERCULESUS.COM
 OR BY CONTACTING YOUR REGIONAL HERCULES SALES TEAM.

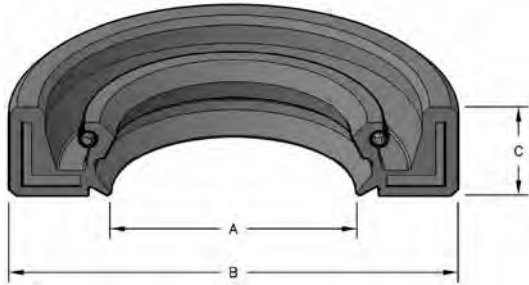


RVA STYLE OIL SEALS

| Part Number | d1 Shaft Diameter | A Nom. ID | B Nom. OD | C ₁ OVERALL HEIGHT | Maximum d2 | Minimum d3 | List Price |
|-------------|-------------------|-----------|-----------|-------------------------------|------------|------------|------------|
| RVA-190 | 185~195 | 171 | 187 | 14.50 | d1+5 | d1+24 | 35.68 |
| RVA-200 | 190~210 | 180 | 210 | 25.00 | d1+10 | d1+45 | 32.05 |
| RVA-220 | 210~235 | 198 | 228 | 25.00 | d1+10 | d1+45 | 30.85 |
| RVA-250 | 235~265 | 225 | 255 | 25.00 | d1+10 | d1+45 | 24.04 |
| RVA-325 | 310~335 | 292 | 322 | 25.00 | d1+10 | d1+45 | 32.50 |
| RVA-350 | 335~365 | 315 | 345 | 25.00 | d1+10 | d1+45 | 46.75 |

MOS STYLE SHAFT SEALS

Design Series BABSL has an extremely short, flexibly suspended sealing lip for sealing pressurized media without a backup ring. It also has a second lip for additional dust protection. Specifically designed for rotational pressure sealing. e.g. hydraulic pumps, hydraulic motors, hydrodynamic clutches and transmissions, and heating oil pumps.



HERCULES PART NUMBERS

MOS - 8 X 22 X 6BABSL
 Type of Seal Inside Diameter Outside Diameter Height

BABSL = Nitrile
 BABSLV = Fluorocarbon

| SEAL INFORMATION | |
|-------------------|--|
| MATERIAL | NITRILE OR FLUOROCARBON |
| TEMPERATURE RANGE | NBR = -40° TO +212° F FKM = -67° TO +320° F |
| PRESSURE RANGE | AVERAGE 50 PSI UP TO 100 PSI |

| Part Number | A Nom. ID | B Nom. OD | C Nom. Ht | List Price |
|----------------------|-----------|-----------|-----------|------------|
| MOS-8X22X6BABSL | 8 | 22 | 6 | \$17.19 |
| MOS-10X22X6BABSL | 10 | 22 | 6 | 14.31 |
| MOS-12X22X6BABSL | 12 | 22 | 6 | 14.31 |
| MOS-12X22X6BABSLV | 12 | 22 | 6 | 57.03 |
| MOS-12X24X6BABSL | 12 | 24 | 6 | 14.31 |
| MOS-15X35X6BABSL | 15 | 35 | 6 | 16.70 |
| MOS-18X30X6BABSL | 18 | 30 | 6 | 23.58 |
| MOS-18X35X6BABSL | 18 | 35 | 6 | 16.70 |
| MOS-20X35X6BABSL | 20 | 35 | 6 | 20.25 |
| MOS-22X32X6BABSL | 22 | 32 | 6 | 16.70 |
| MOS-22X35X6BABSL | 22 | 35 | 6 | 16.70 |
| MOS-22X35X6BABSLV | 22 | 35 | 6 | 73.52 |
| MOS-25X35X6BABSL | 25 | 35 | 6 | 16.70 |
| MOS-25X35X6BABSLV | 25 | 35 | 6 | 73.52 |
| MOS-25X47X6BABSL | 25 | 47 | 6 | 20.90 |
| MOS-28X40X6BABSL | 28 | 40 | 6 | 27.07 |
| MOS-28X40X6BABSLV | 28 | 40 | 6 | 40.97 |
| MOS-30X42X6BABSL | 30 | 42 | 6 | 17.54 |
| MOS-30X42X6BABSLV | 30 | 42 | 6 | 112.04 |
| MOS-35X52X6BABSL | 35 | 52 | 6 | 21.96 |
| MOS-35X52X6BABSLV | 35 | 52 | 6 | 114.90 |
| MOS-40X62X6BABSL | 40 | 62 | 6 | 29.60 |
| MOS-45X62X7BABSL | 45 | 62 | 7 | 24.68 |
| MOS-45X62X7BABSLV | 45 | 62 | 7 | 165.06 |
| MOS-45X65X7BABSL | 45 | 65 | 7 | 41.93 |
| MOS-45X65X7BABSLV | 45 | 65 | 7 | 165.06 |
| MOS-50X72X7BABSL | 50 | 72 | 7 | 29.32 |
| MOS-60X80X7BABSL | 60 | 80 | 7 | 50.81 |
| MOS-60X80X7BABSLV | 60 | 80 | 7 | 208.26 |
| MOS-65X90X7BABSL | 65 | 90 | 7 | 81.24 |
| MOS-70X90X7BABSL | 70 | 90 | 7 | 38.58 |
| MOS-70X90X7BABSLV | 70 | 90 | 7 | 235.91 |
| MOS-80X100X7BABSL | 80 | 100 | 7 | 31.27 |
| MOS-85X105X7.5BABSL | 85 | 105 | 7.5 | 43.64 |
| MOS-90X110X7.5BABSL | 90 | 110 | 7.5 | 86.01 |
| MOS-100X120X7.5BABSL | 100 | 120 | 7.5 | 97.09 |

SHAFT SEALS



O-RING SIZE CHART FOR METRIC SEALS

O-RINGS

| JIS B 2401 | WIDTH | I.D. | JIS B 2401 | WIDTH | I.D. | JIS B 2401 | WIDTH | I.D. |
|------------|------------|------------|-------------|-----------|-------------|------------|-----------|------------|
| P - 3 | 1.9 ±0.08 | 2.8 ±0.14 | P - 71 | 5.7 ±0.13 | 70.6 ±0.62 | G - 25 | 3.1 ±0.10 | 24.4 ±0.25 |
| P - 4 | | 3.8 ±0.14 | P - 75 | | 74.6 ±0.65 | G - 30 | | 29.4 ±0.29 |
| P - 5 | | 4.8 ±0.15 | P - 80 | | 79.6 ±0.69 | G - 35 | | 34.4 ±0.33 |
| P - 6 | | 5.8 ±0.15 | P - 85 | | 84.6 ±0.73 | G - 40 | | 39.4 ±0.37 |
| P - 7 | | 6.8 ±0.16 | P - 90 | | 89.6 ±0.77 | G - 45 | | 44.4 ±0.41 |
| P - 8 | | 7.8 ±0.16 | P - 95 | | 94.6 ±0.81 | G - 50 | | 49.4 ±0.45 |
| P - 9 | | 8.8 ±0.17 | P - 100 | | 99.6 ±0.84 | G - 55 | | 54.4 ±0.49 |
| P - 10 | | 9.8 ±0.17 | P - 102 | | 101.6 ±0.85 | G - 60 | | 59.4 ±0.53 |
| P - 10A | | 9.8 ±0.17 | P - 105 | | 104.6 ±0.87 | G - 65 | | 64.4 ±0.57 |
| P - 11 | | 10.8 ±0.18 | P - 110 | | 109.6 ±0.91 | G - 70 | | 69.4 ±0.61 |
| P - 11.2 | 11 ±0.18 | P - 112 | 111.6 ±0.92 | G - 75 | 74.4 ±0.65 | | | |
| P - 12 | 11.8 ±0.19 | P - 115 | 114.6 ±0.94 | G - 80 | 79.4 ±0.69 | | | |
| P - 12.5 | 12.3 ±0.19 | P - 120 | 119.6 ±0.98 | G - 85 | 84.4 ±0.73 | | | |
| P - 14 | 13.8 ±0.19 | P - 125 | 124.6 ±1.01 | G - 90 | 89.4 ±0.77 | | | |
| P - 15 | 14.8 ±0.20 | P - 130 | 129.6 ±1.05 | G - 95 | 94.4 ±0.81 | | | |
| P - 16 | 15.8 ±0.20 | P - 132 | 131.6 ±1.06 | G - 100 | 99.4 ±0.85 | | | |
| P - 18 | 17.8 ±0.21 | P - 135 | 134.6 ±1.09 | G - 105 | 104.4 ±0.87 | | | |
| P - 20 | 19.8 ±0.22 | P - 140 | 139.6 ±1.12 | G - 110 | 109.4 ±0.91 | | | |
| P - 21 | 20.8 ±0.23 | P - 145 | 144.6 ±1.16 | G - 115 | 114.4 ±0.94 | | | |
| P - 22 | 21.8 ±0.24 | P - 150 | 149.6 ±1.19 | G - 120 | 119.4 ±0.98 | | | |
| P - 22A | 21.7 ±0.24 | P - 150A | 149.5 ±1.19 | G - 125 | 124.4 ±1.01 | | | |
| P - 22.4 | 22.1 ±0.24 | P - 155 | 154.5 ±1.23 | G - 130 | 129.4 ±1.05 | | | |
| P - 24 | 23.7 ±0.24 | P - 160 | 159.5 ±1.26 | G - 135 | 134.4 ±1.08 | | | |
| P - 25 | 24.7 ±0.25 | P - 165 | 164.5 ±1.30 | G - 140 | 139.4 ±1.12 | | | |
| P - 25.5 | 25.2 ±0.25 | P - 170 | 169.5 ±1.33 | G - 145 | 144.4 ±1.16 | | | |
| P - 26 | 25.7 ±0.26 | P - 175 | 174.5 ±1.37 | G - 150 | 149.3 ±1.19 | | | |
| P - 28 | 27.7 ±0.28 | P - 180 | 179.5 ±1.40 | G - 155 | 154.3 ±1.23 | | | |
| P - 29 | 28.7 ±0.29 | P - 185 | 184.5 ±1.44 | G - 160 | 159.3 ±1.26 | | | |
| P - 29.5 | 29.2 ±0.29 | P - 190 | 189.5 ±1.48 | G - 165 | 164.3 ±1.30 | | | |
| P - 30 | 29.7 ±0.29 | P - 195 | 194.5 ±1.51 | G - 170 | 169.3 ±1.33 | | | |
| P - 31 | 30.7 ±0.30 | P - 200 | 199.5 ±1.55 | G - 175 | 174.3 ±1.37 | | | |
| P - 31.5 | 31.2 ±0.31 | P - 205 | 204.5 ±1.58 | G - 180 | 179.3 ±1.40 | | | |
| P - 32 | 31.7 ±0.31 | P - 209 | 208.5 ±1.61 | G - 185 | 184.3 ±1.44 | | | |
| P - 34 | 33.7 ±0.33 | P - 210 | 209.5 ±1.62 | G - 190 | 189.3 ±1.47 | | | |
| P - 35 | 34.7 ±0.34 | P - 215 | 214.5 ±1.65 | G - 195 | 194.3 ±1.51 | | | |
| P - 35.5 | 35.2 ±0.34 | P - 220 | 219.5 ±1.68 | G - 200 | 199.3 ±1.55 | | | |
| P - 36 | 35.7 ±0.34 | P - 225 | 224.5 ±1.71 | G - 205 | 204.3 ±1.58 | | | |
| P - 38 | 37.7 ±0.37 | P - 230 | 229.5 ±1.75 | G - 210 | 209.3 ±1.61 | | | |
| P - 39 | 38.7 ±0.37 | P - 235 | 234.5 ±1.78 | G - 215 | 214.3 ±1.64 | | | |
| P - 40 | 39.7 ±0.37 | P - 240 | 239.5 ±1.81 | G - 220 | 219.3 ±1.68 | | | |
| P - 41 | 40.7 ±0.38 | P - 245 | 244.5 ±1.84 | G - 225 | 224.3 ±1.71 | | | |
| P - 42 | 41.7 ±0.39 | P - 250 | 249.5 ±1.88 | G - 230 | 229.3 ±1.73 | | | |
| P - 44 | 43.7 ±0.41 | P - 255 | 254.5 ±1.91 | G - 235 | 234.3 ±1.77 | | | |
| P - 45 | 44.7 ±0.41 | P - 260 | 259.5 ±1.94 | G - 240 | 239.3 ±1.81 | | | |
| P - 46 | 45.7 ±0.42 | P - 265 | 264.5 ±1.97 | G - 245 | 244.3 ±1.84 | | | |
| P - 48 | 47.7 ±0.44 | P - 270 | 269.5 ±2.01 | G - 250 | 249.3 ±1.88 | | | |
| P - 49 | 48.7 ±0.45 | P - 275 | 274.5 ±2.04 | G - 255 | 254.3 ±1.91 | | | |
| P - 50 | 49.7 ±0.45 | P - 280 | 279.5 ±2.07 | G - 260 | 259.3 ±1.94 | | | |
| P - 48A | 47.6 ±0.45 | P - 285 | 284.5 ±2.10 | G - 265 | 264.3 ±1.97 | | | |
| P - 50A | 49.6 ±0.45 | P - 290 | 289.5 ±2.14 | G - 270 | 269.3 ±2.01 | | | |
| P - 52 | 51.6 ±0.47 | P - 295 | 294.5 ±2.17 | G - 275 | 274.3 ±2.04 | | | |
| P - 53 | 52.6 ±0.48 | P - 300 | 299.5 ±2.20 | G - 280 | 279.3 ±2.07 | | | |
| P - 55 | 54.6 ±0.49 | P - 315 | 314.5 ±2.30 | G - 285 | 284.3 ±2.10 | | | |
| P - 56 | 55.6 ±0.50 | P - 320 | 319.5 ±2.33 | G - 290 | 289.3 ±2.14 | | | |
| P - 58 | 57.6 ±0.52 | P - 335 | 334.5 ±2.42 | G - 295 | 294.3 ±2.17 | | | |
| P - 60 | 59.6 ±0.53 | P - 340 | 339.5 ±2.45 | G - 300 | 299.3 ±2.20 | | | |
| P - 62 | 61.6 ±0.55 | P - 355 | 354.5 ±2.54 | G - 305 | 304.3 ±2.24 | | | |
| P - 63 | 62.6 ±0.56 | P - 360 | 359.5 ±2.57 | G - 310 | 309.3 ±2.27 | | | |
| P - 65 | 64.6 ±0.57 | P - 375 | 374.5 ±2.67 | G - 315 | 314.3 ±2.30 | | | |
| P - 67 | 66.6 ±0.59 | P - 385 | 384.5 ±2.73 | G - 320 | 319.3 ±2.33 | | | |
| P - 70 | 69.6 ±0.61 | P - 400 | 399.5 ±2.82 | G - 325 | 324.3 ±2.36 | | | |
| | | | | G - 330 | 329.3 ±2.39 | | | |

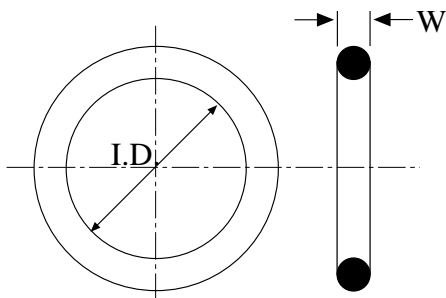
O-RING SIZE CHART FOR METRIC SEALS

| JIS B 2401 | WIDTH | I.D. |
|------------|-----------|-------------|
| G - 335 | 5.7 ±0.13 | 334.3 ±2.42 |
| G - 340 | | 339.3 ±2.45 |
| G - 345 | | 344.3 ±2.48 |
| G - 350 | | 349.3 ±2.51 |
| G - 355 | | 354.3 ±2.54 |
| G - 360 | | 359.3 ±2.57 |
| G - 365 | | 364.3 ±2.60 |
| G - 370 | | 369.3 ±2.63 |
| G - 375 | | 374.3 ±2.67 |
| G - 380 | | 379.3 ±2.70 |
| G - 385 | | 384.3 ±2.73 |
| G - 390 | | 389.3 ±2.76 |
| G - 395 | | 394.3 ±2.79 |
| G - 400 | | 399.3 ±2.82 |
| V - 15 | 4 ±0.10 | 14.5 ±0.20 |
| V - 24 | | 23.5 ±0.24 |
| V - 34 | | 33.5 ±0.33 |
| V - 40 | | 39.5 ±0.37 |
| V - 55 | | 54.5 ±0.49 |
| V - 70 | | 69 ±0.61 |
| V - 85 | | 84 ±0.72 |
| V - 100 | | 99 ±0.83 |
| V - 120 | | 119 ±0.97 |
| V - 150 | | 148.5 ±1.18 |
| V - 175 | 173 ±1.36 | |
| V - 225 | 6 ±0.15 | 222.5 ±1.70 |
| V - 275 | | 272 ±2.02 |
| V - 325 | | 321.5 ±2.34 |
| V - 380 | | 376 ±2.68 |
| V - 430 | | 425.5 ±2.99 |
| V - 480 | 10 ±0.30 | 475 ±3.30 |
| V - 530 | | 524.5 ±3.60 |
| V - 585 | | 579 ±3.92 |
| V - 640 | | 633.5 ±4.24 |
| V - 690 | | 683 ±4.54 |
| V - 740 | | 732.5 ±4.83 |
| V - 790 | | 782 ±5.12 |
| V - 845 | | 836.5 ±5.44 |
| V - 950 | | 940.5 ±6.06 |
| V - 1055 | | 1044 ±6.67 |

| SM - O RINGS | WIDTH | I.D. |
|--------------|------------|------------|
| SM - 3 | 1.5 ±0.10 | 2.5 ±0.15 |
| SM - 4 | | 3.5 ±0.15 |
| SM - 5 | | 4.5 ±0.15 |
| SM - 6 | | 5.5 ±0.15 |
| SM - 7 | | 6.5 ±0.15 |
| SM - 8 | | 7.5 ±0.15 |
| SM - 9 | | 8.5 ±0.15 |
| SM - 10 | | 9.5 ±0.15 |
| SM - 11.2 | | 10.7 ±0.15 |
| SM - 12 | | 11.5 ±0.15 |
| SM - 12.5 | | 12 ±0.15 |
| SM - 14 | | 13.5 ±0.15 |
| SM - 15 | | 14.5 ±0.15 |
| SM - 16 | | 15.5 ±0.15 |
| SM - 18 | 17.5 ±0.15 | |
| SM - 20 | 19.5 ±0.15 | |
| SM - 22 | 21.5 ±0.15 | |
| SM - 22.4 | 2.0 ±0.10 | 21.9 ±0.15 |
| SM - 24 | | 23.5 ±0.15 |
| SM - 25 | | 24.5 ±0.15 |
| SM - 26 | | 25.5 ±0.15 |
| SM - 28 | | 27.5 ±0.15 |
| SM - 29 | | 28.5 ±0.15 |
| SM - 30 | | 29.5 ±0.15 |
| SM - 31.5 | | 31 ±0.15 |
| SM - 32 | | 31.5 ±0.15 |
| SM - 34 | | 33.5 ±0.15 |
| SM - 35 | | 34.5 ±0.15 |
| SM - 35.5 | | 35 ±0.15 |
| SM - 36 | | 35.5 ±0.15 |
| SM - 38 | | 37.5 ±0.15 |
| SM - 39 | | 38.5 ±0.15 |
| SM - 40 | | 39.5 ±0.15 |
| SM - 42 | | 41.5 ±0.25 |
| SM - 44 | | 43.5 ±0.25 |
| SM - 45 | | 44.5 ±0.25 |
| SM - 46 | | 45.5 ±0.25 |
| SM - 48 | | 47.5 ±0.25 |
| SM - 50 | | 49.5 ±0.25 |
| SM - 53 | | 52.5 ±0.25 |
| SM - 55 | | 54.5 ±0.25 |
| SM - 56 | | 55.5 ±0.25 |
| SM - 60 | | 59.5 ±0.25 |
| SM - 63 | | 62.5 ±0.25 |
| SM - 65 | | 64.5 ±0.25 |
| SM - 67 | | 66.5 ±0.25 |
| SM - 70 | | 69.5 ±0.25 |
| SM - 71 | | 70.5 ±0.4 |
| SM - 75 | | 74.5 ±0.4 |
| SM - 80 | | 79.5 ±0.4 |
| SM - 85 | | 84.5 ±0.4 |
| SM - 90 | 89.5 ±0.4 | |
| SM - 95 | 94.5 ±0.4 | |
| SM - 100 | 99.5 ±0.4 | |
| SM - 105 | 104.5 ±0.4 | |
| SM - 110 | 109.5 ±0.4 | |
| SM - 112 | 111.5 ±0.4 | |
| SM - 115 | 114.5 ±0.4 | |
| SM - 120 | 119.5 ±0.4 | |
| SM - 125 | 124.5 ±0.4 | |
| SM - 130 | 129.5 ±0.6 | |

| SM - O RINGS | WIDTH | I.D. |
|--------------|-------|------------|
| SM - 132 | | 131.5 ±0.6 |
| SM - 135 | | 134.5 ±0.6 |
| SM - 140 | | 139.5 ±0.6 |
| SM - 145 | | 144.5 ±0.6 |
| SM - 150 | | 149.5 ±0.6 |

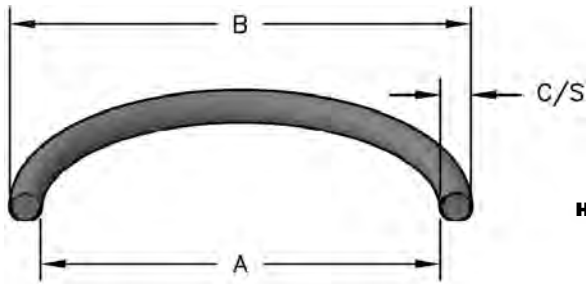
| KS-O RINGS | WIDTH | I.D. |
|------------|------------|------------|
| KS - 1 | 1.7 ±0.08 | 2.75 ±0.13 |
| KS - 2 | | 3.75 ±0.13 |
| KS - 3 | | 4.75 ±0.13 |
| KS - 4 | | 5.75 ±0.13 |
| KS - 5 | | 6.75 ±0.13 |
| KS - 6 | | 7.75 ±0.13 |
| KS - 7 | | 8.75 ±0.13 |
| KS - 8 | | 9.75 ±0.13 |
| KS - 9 | 2.25 ±0.08 | 9.7 ±0.13 |
| KS - 10 | | 11.7 ±0.13 |
| KS - 11 | | 13.7 ±0.13 |
| KS - 12 | | 15.7 ±0.13 |
| KS - 13 | | 17.7 ±0.13 |
| KS - 14 | | 19.7 ±0.13 |
| KS - 15 | 3.3 ±0.10 | 19.6 ±0.15 |
| KS - 16 | | 21.6 ±0.15 |
| KS - 17 | | 23.6 ±0.15 |
| KS - 18 | | 24.6 ±0.15 |
| KS - 19 | | 25.6 ±0.15 |
| KS - 20 | | 27.6 ±0.15 |
| KS - 21 | | 29.6 ±0.15 |
| KS - 22 | | 31.6 ±0.15 |
| KS - 23 | | 33.6 ±0.15 |
| KS - 24 | | 35.6 ±0.15 |
| KS - 25 | | 37.6 ±0.15 |
| KS - 26 | 39.6 ±0.15 | |



O-RINGS



O-RINGS - 70 DURO NITRILE



HERCULES PART NUMBERS

MOR - 3 X 1
 Type of Seal | Inside Diameter | Cross Section

SEAL INFORMATION

| | |
|-------------------|------------------|
| MATERIAL | 70A DURO NITRILE |
| TEMPERATURE RANGE | -40° TO +220° F |
| SPEED | 3 FT/SEC |

O-RINGS

| Part Number | A Nom. ID | B Nom. OD | Package Quantity | List Price |
|------------------|--------------|--------------|---------------------|---------------|
| 1mm C/S | | | | |
| MOR-3X1 | 3 | 5 | 100 | \$0.09 |
| MOR-4X1 | 4 | 6 | 100 | 0.17 |
| MOR-5X1 | 5 | 7 | 100 | 0.23 |
| MOR-6X1 | 6 | 8 | 100 | 0.09 |
| MOR-6.5X1 | 6.5 | 8.5 | 100 | 0.28 |
| MOR-8X1 | 8 | 10 | 100 | 0.09 |
| MOR-15X1 | 15 | 17 | 100 | 0.09 |
| MOR-16X1 | 16 | 18 | 100 | 0.34 |
| MOR-19X1 | 19 | 21 | 100 | 0.34 |
| MOR-21X1 | 21 | 23 | 100 | 0.38 |
| 1.2mm C/S | | | | |
| MOR-85.3X1.2 | 85.3 | 87.7 | 1 | \$2.28 |
| 1.5mm C/S | | | | |
| MOR-2.5X1.5 | 2.5 | 5.5 | 100 | \$0.43 |
| MOR-3X1.5 | 3 | 6 | 100 | 0.12 |
| MOR-3.5X1.5 | 3.5 | 6.5 | 100 | 0.12 |
| MOR-4X1.5 | 4 | 7 | 100 | 0.17 |
| MOR-5X1.5 | 5 | 8 | 100 | 0.09 |
| MOR-5.5X1.5 | 5.5 | 8.5 | 1 | 0.19 |
| MOR-6X1.5 | 6 | 9 | 100 | 0.09 |
| MOR-7X1.5 | 7 | 10 | 100 | 0.19 |
| MOR-8X1.5 | 8 | 11 | 100 | 0.20 |
| MOR-8.5X1.5 | 8.5 | 11.5 | 100 | 0.20 |
| MOR-9X1.5 | 9 | 12 | 100 | 0.09 |
| MOR-10X1.5 | 10 | 13 | 100 | 0.09 |
| MOR-11X1.5 | 11 | 14 | 100 | 0.24 |
| MOR-12X1.5 | 12 | 15 | 100 | 0.09 |
| MOR-13X1.5 | 13 | 16 | 100 | 0.09 |
| MOR-14X1.5 | 14 | 17 | 100 | 0.27 |
| MOR-15X1.5 | 15 | 18 | 100 | 0.09 |
| MOR-16X1.5 | 16 | 19 | 100 | 0.09 |
| MOR-17X1.5 | 17 | 20 | 100 | 0.38 |
| MOR-17.5X1.5 | 17.5 | 20.5 | 100 | 0.11 |
| MOR-18X1.5 | 18 | 21 | 100 | 0.11 |
| MOR-19X1.5 | 19 | 22 | 100 | 0.11 |
| MOR-20X1.5 | 20 | 23 | 100 | 0.11 |
| MOR-22X1.5 | 22 | 25 | 100 | 0.11 |
| MOR-23X1.5 | 23 | 26 | 100 | 0.11 |
| MOR-25X1.5 | 25 | 28 | 100 | 0.13 |
| MOR-26X1.5 | 26 | 29 | 100 | 0.50 |
| MOR-27X1.5 | 27 | 30 | 100 | 0.13 |
| MOR-28X1.5 | 28 | 31 | 100 | 0.13 |

| Part Number | A Nom. ID | B Nom. OD | Package Quantity | List Price |
|-------------------|--------------|--------------|---------------------|---------------|
| MOR-30X1.5 | 30 | 33 | 50 | 0.50 |
| MOR-32X1.5 | 32 | 35 | 50 | 0.64 |
| MOR-35X1.5 | 35 | 38 | 50 | 0.64 |
| MOR-36X1.5 | 36 | 39 | 50 | 0.72 |
| MOR-41X1.5 | 41 | 44 | 50 | 0.72 |
| MOR-42X1.5 | 42 | 45 | 25 | 0.33 |
| MOR-43X1.5 | 43 | 46 | 25 | 0.33 |
| MOR-45X1.5 | 45 | 48 | 25 | 0.33 |
| MOR-46X1.5 | 46 | 49 | 25 | 0.90 |
| MOR-47X1.5 | 47 | 50 | 25 | 0.90 |
| MOR-53X1.5 | 53 | 56 | 20 | 0.57 |
| MOR-57X1.5 | 57 | 60 | 20 | 0.63 |
| MOR-65X1.5 | 65 | 68 | 20 | 0.65 |
| MOR-72X1.5 | 72 | 75 | 20 | 0.79 |
| 1.6mm C/S | | | | |
| MOR-2.2X1.6 | 2.2 | 5.4 | 100 | \$0.11 |
| MOR-3.1X1.6 | 3.1 | 6.3 | 100 | 0.12 |
| MOR-4.1X1.6 | 4.1 | 7.3 | 100 | 0.12 |
| MOR-5.1X1.6 | 5.1 | 8.3 | 100 | 0.18 |
| MOR-6.1X1.6 | 6.1 | 9.3 | 100 | 0.18 |
| MOR-7.1X1.6 | 7.1 | 10.3 | 25 | 0.36 |
| MOR-8.1X1.6 | 8.1 | 11.3 | 25 | 0.41 |
| MOR-9.1X1.6 | 9.1 | 12.3 | 25 | 0.42 |
| MOR-10.1X1.6 | 10.1 | 13.3 | 25 | 0.42 |
| MOR-11.1X1.6 | 11.1 | 14.3 | 20 | 0.48 |
| MOR-12.1X1.6 | 12.1 | 15.3 | 20 | 0.49 |
| MOR-13.1X1.6 | 13.1 | 16.3 | 20 | 0.55 |
| MOR-14.1X1.6 | 14.1 | 17.3 | 20 | 0.59 |
| MOR-15.1X1.6 | 15.1 | 18.3 | 20 | 0.59 |
| MOR-16.1X1.6 | 16.1 | 19.3 | 20 | 0.76 |
| MOR-17.1X1.6 | 17.1 | 20.3 | 20 | 0.79 |
| MOR-18.1X1.6 | 18.1 | 21.3 | 20 | 0.83 |
| MOR-19.1X1.6 | 19.1 | 22.3 | 20 | 0.83 |
| MOR-22.1X1.6 | 22.1 | 25.3 | 5 | 2.25 |
| MOR-25.1X1.6 | 25.1 | 28.3 | 5 | 2.68 |
| MOR-27.1X1.6 | 27.1 | 30.3 | 5 | 2.68 |
| MOR-29.1X1.6 | 29.1 | 32.3 | 5 | 2.97 |
| MOR-32.1X1.6 | 32.1 | 35.3 | 2 | 5.61 |
| MOR-35.1X1.6 | 35.1 | 38.3 | 2 | 5.61 |
| MOR-37.1X1.6 | 37.1 | 40.3 | 2 | 5.61 |
| 1.78mm C/S | | | | |
| MOR-104.4X1.78 | 104.4 | 107.96 | 1 | \$24.82 |
| 1.8mm C/S | | | | |

NORTH AMERICA
 PHONE 1-800-777-5617
 FAX 1-800-759-6391

SALES OFFICE HOURS
 8 A.M. TO 7:30 P.M. EASTERN TIME
 www.HerculesUS.com

WORLDWIDE
 PHONE 1-727-796-1300
 FAX 1-727-797-8849



O-RINGS - 70 DURO NITRILE

| Part Number | A Nom. ID | B Nom. OD | Package Quantity | List Price |
|------------------|-----------|-----------|------------------|------------|
| MOR-6.3X1.8 | 6.3 | 9.9 | 50 | \$0.23 |
| MOR-7.5X1.8 | 7.5 | 11.1 | 50 | 0.24 |
| MOR-9.5X1.8 | 9.5 | 13.1 | 50 | 0.25 |
| MOR-10.6X1.8 | 10.6 | 14.2 | 50 | 0.33 |
| MOR-12.5X1.8 | 12.5 | 16.1 | 25 | 0.34 |
| MOR-78X1.8 | 78 | 81.6 | 5 | 1.33 |
| MOR-92.4X1.8 | 92.4 | 96 | 5 | 1.58 |
| 1.9mm C/S | | | | |
| MOR-2.8X1.9 | 2.8 | 6.6 | 100 | \$0.09 |
| MOR-3.8X1.9 | 3.8 | 7.6 | 100 | 0.09 |
| MOR-4.8X1.9 | 4.8 | 8.6 | 100 | 0.09 |
| MOR-5.8X1.9 | 5.8 | 9.6 | 100 | 0.09 |
| MOR-6.8X1.9 | 6.8 | 10.6 | 100 | 0.11 |
| MOR-7.8X1.9 | 7.8 | 11.6 | 100 | 0.11 |
| MOR-8.8X1.9 | 8.8 | 12.6 | 100 | 0.11 |
| MOR-9.8X1.9 | 9.8 | 13.6 | 100 | 0.11 |
| MOR-15.8X1.9 | 15.8 | 19.6 | 100 | 0.11 |
| 2mm C/S | | | | |
| MOR-3X2 | 3 | 7 | 100 | \$0.09 |
| MOR-4X2 | 4 | 8 | 100 | 0.18 |
| MOR-5X2 | 5 | 9 | 100 | 0.09 |
| MOR-6X2 | 6 | 10 | 100 | 0.09 |
| MOR-7X2 | 7 | 11 | 100 | 0.09 |
| MOR-8X2 | 8 | 12 | 100 | 0.09 |
| MOR-9X2 | 9 | 13 | 100 | 0.20 |
| MOR-10X2 | 10 | 14 | 100 | 0.09 |
| MOR-11X2 | 11 | 15 | 100 | 0.11 |
| MOR-12X2 | 12 | 16 | 100 | 0.24 |
| MOR-12.5X2 | 12.5 | 16.5 | 100 | 0.25 |
| MOR-13X2 | 13 | 17 | 100 | 0.11 |
| MOR-14X2 | 14 | 18 | 100 | 0.11 |
| MOR-15X2 | 15 | 19 | 100 | 0.11 |
| MOR-16X2 | 16 | 20 | 100 | 0.11 |
| MOR-16.5X2 | 16.5 | 20.5 | 100 | 0.17 |
| MOR-17X2 | 17 | 21 | 100 | 0.11 |
| MOR-18X2 | 18 | 22 | 100 | 0.11 |
| MOR-19X2 | 19 | 23 | 100 | 0.12 |
| MOR-20X2 | 20 | 24 | 50 | 0.23 |
| MOR-21X2 | 21 | 25 | 50 | 0.23 |
| MOR-22X2 | 22 | 26 | 50 | 0.43 |
| MOR-23X2 | 23 | 27 | 50 | 0.23 |
| MOR-23.5X2 | 23.5 | 27.5 | 50 | 0.43 |
| MOR-24X2 | 24 | 28 | 50 | 0.24 |
| MOR-24.5X2 | 24.5 | 28.5 | 50 | 0.27 |
| MOR-26X2 | 26 | 30 | 50 | 0.29 |
| MOR-27X2 | 27 | 31 | 50 | 0.29 |
| MOR-28X2 | 28 | 32 | 50 | 0.31 |
| MOR-28.5X2 | 28.5 | 32.5 | 25 | 0.65 |
| MOR-30X2 | 30 | 34 | 25 | 0.36 |
| MOR-31X2 | 31 | 35 | 25 | 0.36 |
| MOR-34X2 | 34 | 38 | 25 | 0.36 |
| MOR-35X2 | 35 | 39 | 25 | 0.64 |
| MOR-35.5X2 | 35.5 | 39.5 | 25 | 0.19 |
| MOR-36X2 | 36 | 40 | 25 | 0.36 |
| MOR-37X2 | 37 | 41 | 25 | 0.41 |
| MOR-37.5X2 | 37.5 | 41.5 | 25 | 0.42 |
| MOR-39X2 | 39 | 43 | 20 | 0.48 |

| Part Number | A Nom. ID | B Nom. OD | Package Quantity | List Price |
|------------------|-----------|-----------|------------------|------------|
| MOR-39.5X2 | 39.5 | 43.5 | 20 | 0.48 |
| MOR-42X2 | 42 | 46 | 20 | 0.48 |
| MOR-43X2 | 43 | 47 | 20 | 0.48 |
| MOR-44X2 | 44 | 48 | 20 | 0.49 |
| MOR-45X2 | 45 | 49 | 20 | 0.49 |
| MOR-46X2 | 46 | 50 | 20 | 0.65 |
| MOR-48X2 | 48 | 52 | 20 | 0.67 |
| MOR-50X2 | 50 | 54 | 20 | 0.67 |
| MOR-52X2 | 52 | 56 | 20 | 0.67 |
| MOR-53X2 | 53 | 57 | 20 | 0.67 |
| MOR-55X2 | 55 | 59 | 20 | 0.77 |
| MOR-56X2 | 56 | 60 | 20 | 0.77 |
| MOR-57X2 | 57 | 61 | 20 | 0.79 |
| MOR-58X2 | 58 | 62 | 20 | 0.79 |
| MOR-63X2 | 63 | 67 | 20 | 0.79 |
| MOR-64.5X2 | 64.5 | 68.5 | 20 | 0.82 |
| MOR-66X2 | 66 | 70 | 10 | 1.14 |
| MOR-67X2 | 67 | 71 | 10 | 1.14 |
| MOR-68X2 | 68 | 72 | 10 | 1.14 |
| MOR-69.5X2 | 69.5 | 73.5 | 10 | 1.14 |
| MOR-70X2 | 70 | 74 | 10 | 1.15 |
| MOR-72X2 | 72 | 76 | 10 | 1.15 |
| MOR-73X2 | 73 | 77 | 10 | 1.19 |
| MOR-74X2 | 74 | 78 | 10 | 1.22 |
| MOR-74.5X2 | 74.5 | 78.5 | 10 | 1.28 |
| MOR-76X2 | 76 | 80 | 10 | 1.28 |
| MOR-77X2 | 77 | 81 | 10 | 1.29 |
| MOR-78X2 | 78 | 82 | 10 | 1.30 |
| MOR-79.5X2 | 79.5 | 83.5 | 10 | 1.30 |
| MOR-80X2 | 80 | 84 | 10 | 1.30 |
| MOR-84.5X2 | 84.5 | 88.5 | 10 | 1.30 |
| MOR-85X2 | 85 | 89 | 10 | 1.35 |
| MOR-86X2 | 86 | 90 | 10 | 1.35 |
| MOR-90X2 | 90 | 94 | 10 | 1.36 |
| MOR-93X2 | 93 | 97 | 10 | 1.36 |
| MOR-100X2 | 100 | 104 | 10 | 1.60 |
| MOR-114.5X2 | 114.5 | 118.5 | 5 | 2.26 |
| MOR-125X2 | 125 | 129 | 5 | 1.96 |
| MOR-266.9X2 | 266.9 | 270.9 | 1 | 23.76 |
| 2.4mm C/S | | | | |
| MOR-3.3X2.4 | 3.3 | 8.1 | 100 | \$0.09 |
| MOR-3.6X2.4 | 3.6 | 8.4 | 50 | 0.29 |
| MOR-4.3X2.4 | 4.3 | 9.1 | 50 | 0.29 |
| MOR-4.6X2.4 | 4.6 | 9.4 | 50 | 0.29 |
| MOR-5.3X2.4 | 5.3 | 10.1 | 50 | 0.29 |
| MOR-5.6X2.4 | 5.6 | 10.4 | 50 | 0.31 |
| MOR-6.3X2.4 | 6.3 | 11.1 | 50 | 0.33 |
| MOR-6.6X2.4 | 6.6 | 11.4 | 25 | 0.33 |
| MOR-7.3X2.4 | 7.3 | 12.1 | 25 | 0.33 |
| MOR-7.6X2.4 | 7.6 | 12.4 | 25 | 0.33 |
| MOR-8.3X2.4 | 8.3 | 13.1 | 25 | 0.46 |
| MOR-8.6X2.4 | 8.6 | 13.4 | 25 | 0.46 |
| MOR-9.3X2.4 | 9.3 | 14.1 | 20 | 0.48 |
| MOR-9.6X2.4 | 9.6 | 14.4 | 20 | 0.48 |
| MOR-9.8X2.4 | 9.8 | 14.6 | 100 | 0.06 |
| MOR-10.3X2.4 | 10.3 | 15.1 | 20 | 0.48 |
| MOR-10.6X2.4 | 10.6 | 15.4 | 20 | 0.49 |

O-RINGS



O-RINGS - 70 DURO NITRILE

| Part Number | A Nom. ID | B Nom. OD | Package Quantity | List Price | Part Number | A Nom. ID | B Nom. OD | Package Quantity | List Price |
|------------------|-----------|-----------|------------------|------------|--------------|-----------|-----------|------------------|------------|
| MOR-10.8X2.4 | 10.8 | 15.6 | 100 | 0.09 | MOR-12X2.5 | 12 | 17 | 100 | 0.11 |
| MOR-11X2.4 | 11 | 15.8 | 100 | 0.09 | MOR-13X2.5 | 13 | 18 | 100 | 0.12 |
| MOR-11.3X2.4 | 11.3 | 16.1 | 20 | 0.48 | MOR-14X2.5 | 14 | 19 | 100 | 0.12 |
| MOR-11.6X2.4 | 11.6 | 16.4 | 20 | 0.55 | MOR-15X2.5 | 15 | 20 | 100 | 0.12 |
| MOR-11.6X2.4-90D | 11.6 | 16.4 | 20 | 0.35 | MOR-16X2.5 | 16 | 21 | 100 | 0.38 |
| MOR-11.8X2.4 | 11.8 | 16.6 | 100 | 0.55 | MOR-17X2.5 | 17 | 22 | 100 | 0.13 |
| MOR-12.3X2.4 | 12.3 | 17.1 | 20 | 0.57 | MOR-18X2.5 | 18 | 23 | 100 | 0.38 |
| MOR-12.6X2.4 | 12.6 | 17.4 | 20 | 0.58 | MOR-19X2.5 | 19 | 24 | 50 | 0.38 |
| MOR-12.8X2.4 | 12.8 | 17.6 | 100 | 0.46 | MOR-20X2.5 | 20 | 25 | 50 | 0.43 |
| MOR-13.3X2.4 | 13.3 | 18.1 | 20 | 0.57 | MOR-21X2.5 | 21 | 26 | 50 | 0.19 |
| MOR-13.6X2.4 | 13.6 | 18.4 | 100 | 0.08 | MOR-22X2.5 | 22 | 27 | 50 | 0.23 |
| MOR-13.8X2.4 | 13.8 | 18.6 | 100 | 0.11 | MOR-23X2.5 | 23 | 28 | 50 | 0.23 |
| MOR-14.3X2.4 | 14.3 | 19.1 | 10 | 0.90 | MOR-24X2.5 | 24 | 29 | 50 | 0.24 |
| MOR-14.8X2.4 | 14.8 | 19.6 | 100 | 0.77 | MOR-25X2.5 | 25 | 30 | 50 | 0.27 |
| MOR-15.8X2.4 | 15.8 | 20.6 | 100 | 0.11 | MOR-26X2.5 | 26 | 31 | 50 | 0.27 |
| MOR-16.3X2.4 | 16.3 | 21.1 | 10 | 0.99 | MOR-27X2.5 | 27 | 32 | 50 | 0.27 |
| MOR-16.6X2.4 | 16.6 | 21.4 | 20 | 0.59 | MOR-28X2.5 | 28 | 33 | 50 | 0.27 |
| MOR-17.3X2.4 | 17.3 | 22.1 | 10 | 1.00 | MOR-29X2.5 | 29 | 34 | 50 | 0.29 |
| MOR-17.6X2.4 | 17.6 | 22.4 | 1 | 0.30 | MOR-30X2.5 | 30 | 35 | 50 | 0.29 |
| MOR-17.8X2.4 | 17.8 | 22.6 | 100 | 0.11 | MOR-31X2.5 | 31 | 36 | 50 | 0.64 |
| MOR-18.8X2.4 | 18.8 | 23.6 | 100 | 0.12 | MOR-32X2.5 | 32 | 37 | 50 | 0.29 |
| MOR-19.6X2.4 | 19.6 | 24.4 | 20 | 0.60 | MOR-35X2.5 | 35 | 40 | 25 | 0.64 |
| MOR-19.8X2.4 | 19.8 | 24.6 | 100 | 0.96 | MOR-36X2.5 | 36 | 41 | 25 | 0.72 |
| MOR-20.8X2.4 | 20.8 | 25.6 | 100 | 0.12 | MOR-37X2.5 | 37 | 42 | 25 | 0.41 |
| MOR-21.8X2.4 | 21.8 | 26.6 | 100 | 0.13 | MOR-37.5X2.5 | 37.5 | 42.5 | 20 | 0.49 |
| MOR-27.3X2.4 | 27.3 | 32.1 | 10 | 1.19 | MOR-38X2.5 | 38 | 43 | 20 | 0.49 |
| MOR-27.6X2.4 | 27.6 | 32.4 | 10 | 1.35 | MOR-39X2.5 | 39 | 44 | 20 | 0.55 |
| MOR-29.6X2.4 | 29.6 | 34.4 | 10 | 1.46 | MOR-40X2.5 | 40 | 45 | 20 | 0.55 |
| MOR-31.6X2.4 | 31.6 | 36.4 | 10 | 1.57 | MOR-42X2.5 | 42 | 47 | 20 | 0.55 |
| MOR-34.6X2.4 | 34.6 | 39.4 | 10 | 1.26 | MOR-45X2.5 | 45 | 50 | 20 | 0.57 |
| MOR-37.6X2.4 | 37.6 | 42.4 | 10 | 1.36 | MOR-46X2.5 | 46 | 51 | 20 | 0.60 |
| MOR-39.6X2.4 | 39.6 | 44.4 | 10 | 1.55 | MOR-47X2.5 | 47 | 52 | 20 | 0.60 |
| MOR-44.6X2.4 | 44.6 | 49.4 | 10 | 1.58 | MOR-48X2.5 | 48 | 53 | 20 | 0.60 |
| MOR-47.6X2.4 | 47.6 | 52.4 | 5 | 1.69 | MOR-49X2.5 | 49 | 54 | 20 | 0.63 |
| MOR-49.6X2.4 | 49.6 | 54.4 | 5 | 1.71 | MOR-50X2.5 | 50 | 55 | 20 | 0.63 |
| MOR-51.6X2.4 | 51.6 | 56.4 | 5 | 1.80 | MOR-53X2.5 | 53 | 58 | 20 | 0.69 |
| MOR-52.8X2.4 | 52.8 | 57.6 | 10 | 1.23 | MOR-54X2.5 | 54 | 59 | 20 | 0.69 |
| MOR-54.6X2.4 | 54.6 | 59.4 | 5 | 1.79 | MOR-55X2.5 | 55 | 60 | 20 | 0.77 |
| MOR-55.5X2.4 | 55.5 | 60.3 | 5 | 2.38 | MOR-57X2.5 | 57 | 62 | 20 | 0.77 |
| MOR-57.6X2.4 | 57.6 | 62.4 | 5 | 2.01 | MOR-58X2.5 | 58 | 63 | 20 | 0.79 |
| MOR-59.6X2.4 | 59.6 | 64.4 | 5 | 2.02 | MOR-59X2.5 | 59 | 64 | 20 | 0.79 |
| MOR-59.7X2.4 | 59.7 | 64.5 | 5 | 2.43 | MOR-60X2.5 | 60 | 65 | 20 | 0.70 |
| MOR-61.6X2.4 | 61.6 | 66.4 | 5 | 2.06 | MOR-63X2.5 | 63 | 68 | 10 | 1.06 |
| MOR-64.6X2.4 | 64.6 | 69.4 | 5 | 2.11 | MOR-65X2.5 | 65 | 70 | 10 | 1.08 |
| MOR-67.6X2.4 | 67.6 | 72.4 | 5 | 2.17 | MOR-67X2.5 | 67 | 72 | 10 | 1.08 |
| MOR-69.6X2.4 | 69.6 | 74.4 | 5 | 2.25 | MOR-69X2.5 | 69 | 74 | 10 | 1.22 |
| MOR-98.3X2.4 | 98.3 | 103.1 | 1 | 1.41 | MOR-70X2.5 | 70 | 75 | 10 | 1.22 |
| MOR-125.3X2.4 | 125.3 | 130.1 | 5 | 4.18 | MOR-72X2.5 | 72 | 77 | 10 | 1.23 |
| 2.5mm C/S | | | | | MOR-73X2.5 | 73 | 78 | 10 | 1.23 |
| MOR-4X2.5 | 4 | 9 | 100 | \$0.20 | MOR-75X2.5 | 75 | 80 | 10 | 1.24 |
| MOR-5X2.5 | 5 | 10 | 100 | 0.20 | MOR-76X2.5 | 76 | 81 | 10 | 1.24 |
| MOR-6X2.5 | 6 | 11 | 100 | 0.09 | MOR-80X2.5 | 80 | 85 | 10 | 1.47 |
| MOR-7X2.5 | 7 | 12 | 100 | 0.20 | MOR-85X2.5 | 85 | 90 | 10 | 1.48 |
| MOR-8X2.5 | 8 | 13 | 100 | 0.09 | MOR-90X2.5 | 90 | 95 | 10 | 1.49 |
| MOR-9X2.5 | 9 | 14 | 100 | 0.09 | MOR-94X2.5 | 94 | 99 | 10 | 1.55 |
| MOR-10X2.5 | 10 | 15 | 100 | 0.11 | MOR-100X2.5 | 100 | 105 | 5 | 1.82 |
| MOR-11X2.5 | 11 | 16 | 100 | 0.11 | MOR-110X2.5 | 110 | 115 | 5 | 2.03 |
| | | | | | MOR-116X2.5 | 116 | 121 | 5 | 2.24 |

NORTH AMERICA
PHONE 1-800-777-5617
FAX 1-800-759-6391

SALES OFFICE HOURS
8 A.M. TO 7:30 P.M. EASTERN TIME
www.HerculesUS.com

WORLDWIDE
PHONE 1-727-796-1300
FAX 1-727-797-8849

O-RINGS - 70 DURO NITRILE

| Part Number | A Nom. ID | B Nom. OD | Package Quantity | List Price |
|-------------------|-----------|-----------|------------------|------------|
| MOR-120X2.5 | 120 | 125 | 5 | 2.25 |
| MOR-140X2.5 | 140 | 145 | 5 | 2.32 |
| MOR-271.5X2.5 | 271.5 | 276.5 | 1 | 31.15 |
| 2.65mm C/S | | | | |
| MOR-14X2.65 | 14 | 19.3 | 50 | \$0.23 |
| MOR-15X2.65 | 15 | 20.3 | 50 | 0.25 |
| MOR-16X2.65 | 16 | 21.3 | 50 | 0.25 |
| MOR-18X2.65 | 18 | 23.3 | 50 | 0.27 |
| MOR-25X2.65 | 25 | 30.3 | 25 | 0.33 |
| MOR-30X2.65 | 30 | 35.3 | 25 | 0.42 |
| 3mm C/S | | | | |
| MOR-5X3 | 5 | 11 | 100 | \$0.20 |
| MOR-6X3 | 6 | 12 | 100 | 0.11 |
| MOR-8X3 | 8 | 14 | 100 | 0.12 |
| MOR-9X3 | 9 | 15 | 100 | 0.12 |
| MOR-9.5X3 | 9.5 | 15.5 | 100 | 0.13 |
| MOR-10X3 | 10 | 16 | 100 | 0.13 |
| MOR-11X3 | 11 | 17 | 100 | 0.13 |
| MOR-12X3 | 12 | 18 | 100 | 0.28 |
| MOR-13X3 | 13 | 19 | 50 | 0.19 |
| MOR-14X3 | 14 | 20 | 50 | 0.19 |
| MOR-15X3 | 15 | 21 | 50 | 0.23 |
| MOR-16X3 | 16 | 22 | 50 | 0.23 |
| MOR-17X3 | 17 | 23 | 50 | 0.24 |
| MOR-18X3 | 18 | 24 | 50 | 0.25 |
| MOR-19X3 | 19 | 25 | 50 | 0.25 |
| MOR-19.2X3 | 19.2 | 25.2 | 50 | 0.25 |
| MOR-20X3 | 20 | 26 | 50 | 0.27 |
| MOR-21X3 | 21 | 27 | 50 | 0.29 |
| MOR-22X3 | 22 | 28 | 50 | 0.29 |
| MOR-22.2X3 | 22.2 | 28.2 | 50 | 0.31 |
| MOR-23X3 | 23 | 29 | 50 | 0.31 |
| MOR-24X3 | 24 | 30 | 50 | 0.31 |
| MOR-24.2X3 | 24.2 | 30.2 | 15 | 0.52 |
| MOR-25X3 | 25 | 31 | 25 | 0.33 |
| MOR-26X3 | 26 | 32 | 25 | 0.33 |
| MOR-27X3 | 27 | 33 | 25 | 0.34 |
| MOR-28X3 | 28 | 34 | 25 | 0.34 |
| MOR-29X3 | 29 | 35 | 25 | 0.41 |
| MOR-30X3 | 30 | 36 | 25 | 0.41 |
| MOR-31X3 | 31 | 37 | 25 | 0.42 |
| MOR-32X3 | 32 | 38 | 25 | 0.42 |
| MOR-33X3 | 33 | 39 | 25 | 0.46 |
| MOR-34X3 | 34 | 40 | 20 | 0.46 |
| MOR-35X3 | 35 | 41 | 20 | 0.49 |
| MOR-36X3 | 36 | 42 | 20 | 0.49 |
| MOR-36.2X3 | 36.2 | 42.2 | 20 | 0.55 |
| MOR-36.5X3 | 36.5 | 42.5 | 20 | 0.57 |
| MOR-37.5X3 | 37.5 | 43.5 | 20 | 0.58 |
| MOR-38X3 | 38 | 44 | 20 | 0.58 |
| MOR-39X3 | 39 | 45 | 20 | 0.58 |
| MOR-40X3 | 40 | 46 | 20 | 0.60 |
| MOR-41.5X3 | 41.5 | 47.5 | 20 | 1.18 |
| MOR-42X3 | 42 | 48 | 20 | 0.63 |
| MOR-42.2X3 | 42.2 | 48.2 | 20 | 0.63 |
| MOR-43X3 | 43 | 49 | 20 | 0.63 |
| MOR-44X3 | 44 | 50 | 20 | 0.67 |

| Part Number | A Nom. ID | B Nom. OD | Package Quantity | List Price |
|-------------|-----------|-----------|------------------|------------|
| MOR-45X3 | 45 | 51 | 20 | 0.67 |
| MOR-46X3 | 46 | 52 | 20 | 0.69 |
| MOR-47X3 | 47 | 53 | 20 | 0.69 |
| MOR-48X3 | 48 | 54 | 20 | 0.69 |
| MOR-49.5X3 | 49.5 | 55.5 | 20 | 0.77 |
| MOR-51X3 | 51 | 57 | 20 | 0.79 |
| MOR-52X3 | 52 | 58 | 20 | 0.79 |
| MOR-54X3 | 54 | 60 | 20 | 0.79 |
| MOR-54.5X3 | 54.5 | 60.5 | 20 | 0.79 |
| MOR-55X3 | 55 | 61 | 20 | 0.79 |
| MOR-56X3 | 56 | 62 | 20 | 0.82 |
| MOR-57X3 | 57 | 63 | 20 | 0.82 |
| MOR-58X3 | 58 | 64 | 20 | 0.82 |
| MOR-59X3 | 59 | 65 | 20 | 0.83 |
| MOR-59.5X3 | 59.5 | 65.5 | 20 | 0.83 |
| MOR-60X3 | 60 | 66 | 20 | 0.83 |
| MOR-62X3 | 62 | 68 | 10 | 0.83 |
| MOR-63X3 | 63 | 69 | 10 | 0.96 |
| MOR-64X3 | 64 | 70 | 10 | 1.01 |
| MOR-64.5X3 | 64.5 | 70.5 | 10 | 1.06 |
| MOR-65X3 | 65 | 71 | 10 | 1.12 |
| MOR-66X3 | 66 | 72 | 10 | 1.23 |
| MOR-67X3 | 67 | 73 | 10 | 1.23 |
| MOR-68X3 | 68 | 74 | 10 | 1.23 |
| MOR-69X3 | 69 | 75 | 10 | 1.23 |
| MOR-70X3 | 70 | 76 | 10 | 1.23 |
| MOR-72X3 | 72 | 78 | 10 | 1.26 |
| MOR-74X3 | 74 | 80 | 10 | 1.26 |
| MOR-74.5X3 | 74.5 | 80.5 | 10 | 1.30 |
| MOR-75X3 | 75 | 81 | 10 | 1.35 |
| MOR-76X3 | 76 | 82 | 10 | 1.36 |
| MOR-77X3 | 77 | 83 | 10 | 1.36 |
| MOR-78X3 | 78 | 84 | 10 | 1.37 |
| MOR-79X3 | 79 | 85 | 10 | 1.37 |
| MOR-79.5X3 | 79.5 | 85.5 | 10 | 1.38 |
| MOR-80X3 | 80 | 86 | 10 | 1.38 |
| MOR-82X3 | 82 | 88 | 10 | 1.49 |
| MOR-85X3 | 85 | 91 | 10 | 1.49 |
| MOR-86X3 | 86 | 92 | 10 | 1.57 |
| MOR-88X3 | 88 | 94 | 10 | 1.57 |
| MOR-89X3 | 89 | 95 | 10 | 1.57 |
| MOR-90X3 | 90 | 96 | 10 | 1.58 |
| MOR-92X3 | 92 | 98 | 10 | 1.58 |
| MOR-94X3 | 94 | 100 | 1 | 2.84 |
| MOR-94.5X3 | 94.5 | 100.5 | 10 | 1.59 |
| MOR-95X3 | 95 | 101 | 10 | 1.59 |
| MOR-96X3 | 96 | 102 | 10 | 1.59 |
| MOR-97X3 | 97 | 103 | 10 | 1.60 |
| MOR-99X3 | 99 | 105 | 5 | 1.71 |
| MOR-100X3 | 100 | 106 | 5 | 1.71 |
| MOR-104X3 | 104 | 110 | 5 | 1.76 |
| MOR-104.5X3 | 104.5 | 110.5 | 5 | 1.76 |
| MOR-105X3 | 105 | 111 | 1 | 1.86 |
| MOR-106X3 | 106 | 112 | 5 | 1.78 |
| MOR-108X3 | 108 | 114 | 5 | 1.78 |
| MOR-109.5X3 | 109.5 | 115.5 | 5 | 1.78 |
| MOR-110X3 | 110 | 116 | 5 | 1.78 |
| MOR-114.5X3 | 114.5 | 120.5 | 5 | 1.79 |

O-RINGS



O-RINGS - 70 DURO NITRILE

O-RINGS

| Part Number | A Nom. ID | B Nom. OD | Package Quantity | List Price |
|------------------|-----------|-----------|------------------|------------|
| MOR-115X3 | 115 | 121 | 5 | 1.79 |
| MOR-118X3 | 118 | 124 | 5 | 1.80 |
| MOR-120X3 | 120 | 126 | 5 | 1.82 |
| MOR-125X3 | 125 | 131 | 5 | 1.83 |
| MOR-128X3 | 128 | 134 | 5 | 1.90 |
| MOR-130X3 | 130 | 136 | 5 | 1.88 |
| MOR-132X3 | 132 | 138 | 5 | 2.06 |
| MOR-135X3 | 135 | 141 | 5 | 2.07 |
| MOR-139.5X3 | 139.5 | 145.5 | 5 | 2.09 |
| MOR-144.5X3 | 144.5 | 150.5 | 1 | 7.66 |
| MOR-145X3 | 145 | 151 | 5 | 2.09 |
| MOR-149X3 | 149 | 155 | 5 | 2.11 |
| MOR-150X3 | 150 | 156 | 5 | 2.12 |
| MOR-155X3 | 155 | 161 | 5 | 3.13 |
| MOR-160X3 | 160 | 166 | 5 | 3.14 |
| MOR-170X3 | 170 | 176 | 5 | 3.21 |
| MOR-175X3 | 175 | 181 | 2 | 3.62 |
| MOR-180X3 | 180 | 186 | 2 | 3.64 |
| MOR-194X3 | 194 | 200 | 2 | 4.10 |
| MOR-205X3 | 205 | 211 | 2 | 4.15 |
| MOR-215X3 | 215 | 221 | 2 | 5.61 |
| MOR-220X3 | 220 | 226 | 2 | 5.63 |
| MOR-225X3 | 225 | 231 | 2 | 5.75 |
| MOR-240X3 | 240 | 246 | 2 | 6.62 |
| MOR-245X3 | 245 | 251 | 2 | 14.96 |
| MOR-260X3 | 260 | 266 | 1 | 11.95 |
| 3.1mm C/S | | | | |
| MOR-24.4X3.1 | 24.4 | 30.6 | 25 | \$0.36 |
| MOR-29.4X3.1 | 29.4 | 35.6 | 20 | 0.48 |
| MOR-32X3.1 | 32 | 38.2 | 20 | 2.08 |
| MOR-34.4X3.1 | 34.4 | 40.6 | 20 | 0.63 |
| MOR-39.4X3.1 | 39.4 | 45.6 | 20 | 0.67 |
| MOR-44.4X3.1 | 44.4 | 50.6 | 10 | 2.38 |
| MOR-49.4X3.1 | 49.4 | 55.6 | 10 | 3.20 |
| MOR-54.4X3.1 | 54.4 | 60.6 | 10 | 1.01 |
| MOR-57.4X3.1 | 57.4 | 63.6 | 10 | 1.14 |
| MOR-59.4X3.1 | 59.4 | 65.6 | 10 | 1.15 |
| MOR-64.4X3.1 | 64.4 | 70.6 | 10 | 1.22 |
| MOR-69.4X3.1 | 69.4 | 75.6 | 10 | 1.47 |
| MOR-74.4X3.1 | 74.4 | 80.6 | 5 | 1.76 |
| MOR-79.4X3.1 | 79.4 | 85.6 | 5 | 1.78 |
| MOR-84.4X3.1 | 84.4 | 90.6 | 5 | 6.32 |
| MOR-89.4X3.1 | 89.4 | 95.6 | 5 | 1.83 |
| MOR-94.4X3.1 | 94.4 | 100.6 | 5 | 7.43 |
| MOR-99.4X3.1 | 99.4 | 105.6 | 5 | 2.06 |
| MOR-104.4X3.1 | 104.4 | 110.6 | 5 | 2.09 |
| MOR-109.4X3.1 | 109.4 | 115.6 | 5 | 8.93 |
| MOR-114.4X3.1 | 114.4 | 120.6 | 5 | 2.71 |
| MOR-119.4X3.1 | 119.4 | 125.6 | 5 | 2.83 |
| MOR-124.4X3.1 | 124.4 | 130.6 | 5 | 9.68 |
| MOR-129.4X3.1 | 129.4 | 135.6 | 5 | 2.90 |
| MOR-134.4X3.1 | 134.4 | 140.6 | 2 | 1.74 |
| MOR-139.4X3.1 | 139.4 | 145.6 | 2 | 2.10 |
| MOR-144.4X3.1 | 144.4 | 150.6 | 2 | 3.49 |
| MOR-149.4X3.1 | 149.4 | 155.6 | 2 | 4.91 |
| 3.3mm C/S | | | | |
| MOR-16.6X3.3 | 16.6 | 23.2 | 5 | \$2.25 |

| Part Number | A Nom. ID | B Nom. OD | Package Quantity | List Price |
|------------------|-----------|-----------|------------------|------------|
| 3.5mm C/S | | | | |
| MOR-14X3.5 | 14 | 21 | 50 | \$0.41 |
| MOR-15X3.5 | 15 | 22 | 50 | 0.41 |
| MOR-16X3.5 | 16 | 23 | 50 | 0.48 |
| MOR-20X3.5 | 20 | 27 | 50 | 0.27 |
| MOR-21X3.5 | 21 | 28 | 50 | 0.29 |
| MOR-21.7X3.5 | 21.7 | 28.7 | 25 | 0.34 |
| MOR-22X3.5 | 22 | 29 | 25 | 0.34 |
| MOR-22.1X3.5 | 22.1 | 29.1 | 25 | 1.17 |
| MOR-23.7X3.5 | 23.7 | 30.7 | 25 | 1.24 |
| MOR-24.7X3.5 | 24.7 | 31.7 | 25 | 0.36 |
| MOR-25X3.5 | 25 | 32 | 25 | 0.33 |
| MOR-25.2X3.5 | 25.2 | 32.2 | 25 | 1.36 |
| MOR-25.7X3.5 | 25.7 | 32.7 | 25 | 0.46 |
| MOR-27.7X3.5 | 27.7 | 34.7 | 20 | 0.48 |
| MOR-28.7X3.5 | 28.7 | 35.7 | 20 | 0.48 |
| MOR-29.2X3.5 | 29.2 | 36.2 | 20 | 1.55 |
| MOR-29.7X3.5 | 29.7 | 36.7 | 20 | 0.48 |
| MOR-30X3.5 | 30 | 37 | 20 | 0.49 |
| MOR-30.7X3.5 | 30.7 | 37.7 | 20 | 0.49 |
| MOR-31.2X3.5 | 31.2 | 38.2 | 20 | 0.49 |
| MOR-31.7X3.5 | 31.7 | 38.7 | 20 | 0.49 |
| MOR-33.7X3.5 | 33.7 | 40.7 | 20 | 0.60 |
| MOR-34.7X3.5 | 34.7 | 41.7 | 20 | 2.09 |
| MOR-35.2X3.5 | 35.2 | 42.2 | 20 | 2.19 |
| MOR-35.7X3.5 | 35.7 | 42.7 | 20 | 2.38 |
| MOR-37X3.5 | 37 | 44 | 20 | 0.63 |
| MOR-37.7X3.5 | 37.7 | 44.7 | 20 | 0.64 |
| MOR-38X3.5 | 38 | 45 | 20 | 0.64 |
| MOR-38.7X3.5 | 38.7 | 45.7 | 20 | 0.64 |
| MOR-39.7X3.5 | 39.7 | 46.7 | 20 | 0.79 |
| MOR-40.7X3.5 | 40.7 | 47.7 | 20 | 0.79 |
| MOR-41.7X3.5 | 41.7 | 48.7 | 20 | 0.67 |
| MOR-42X3.5 | 42 | 49 | 20 | 0.76 |
| MOR-43.7X3.5 | 43.7 | 50.7 | 10 | 0.87 |
| MOR-44.7X3.5 | 44.7 | 51.7 | 10 | 0.88 |
| MOR-45.7X3.5 | 45.7 | 52.7 | 10 | 0.88 |
| MOR-47.7X3.5 | 47.7 | 54.7 | 10 | 0.90 |
| MOR-48.7X3.5 | 48.7 | 55.7 | 10 | 0.90 |
| MOR-49.7X3.5 | 49.7 | 56.7 | 10 | 0.93 |
| MOR-50X3.5 | 50 | 57 | 10 | 0.90 |
| MOR-52X3.5 | 52 | 59 | 10 | 0.90 |
| MOR-56X3.5 | 56 | 63 | 10 | 0.94 |
| MOR-58X3.5 | 58 | 65 | 10 | 0.94 |
| MOR-60X3.5 | 60 | 67 | 10 | 0.98 |
| MOR-63X3.5 | 63 | 70 | 10 | 1.22 |
| MOR-65X3.5 | 65 | 72 | 10 | 1.26 |
| MOR-69X3.5 | 69 | 76 | 10 | 1.28 |
| MOR-71X3.5 | 71 | 78 | 10 | 1.30 |
| MOR-73X3.5 | 73 | 80 | 10 | 1.46 |
| MOR-75X3.5 | 75 | 82 | 1 | 0.81 |
| MOR-86X3.5 | 86 | 93 | 5 | 1.76 |
| MOR-87X3.5 | 87 | 94 | 5 | 1.87 |
| MOR-105X3.5 | 105 | 112 | 5 | 2.15 |
| MOR-112X3.5 | 112 | 119 | 5 | 2.32 |
| MOR-118X3.5 | 118 | 125 | 5 | 2.43 |
| MOR-120X3.5 | 120 | 127 | 5 | 2.47 |

NORTH AMERICA
PHONE 1-800-777-5617
FAX 1-800-759-6391

SALES OFFICE HOURS
8 A.M. TO 7:30 P.M. EASTERN TIME
www.HerculesUS.com

WORLDWIDE
PHONE 1-727-796-1300
FAX 1-727-797-8849

O-RINGS - 70 DURO NITRILE

| Part Number | A Nom. ID | B Nom. OD | Package Quantity | List Price |
|-------------------|-----------|-----------|------------------|------------|
| MOR-132X3.5 | 132 | 139 | 5 | 2.97 |
| MOR-145X3.5 | 145 | 152 | 5 | 3.41 |
| MOR-170X3.5 | 170 | 177 | 2 | 3.65 |
| MOR-175X3.5 | 175 | 182 | 2 | 4.15 |
| MOR-180X3.5 | 180 | 187 | 2 | 4.20 |
| MOR-200X3.5 | 200 | 207 | 2 | 6.29 |
| MOR-202X3.5 | 202 | 209 | 2 | 5.61 |
| MOR-210X3.5 | 210 | 217 | 2 | 6.01 |
| 3.55mm C/S | | | | |
| MOR-42.5X3.55 | 42.5 | 49.6 | 5 | \$ 1.49 |
| 4mm C/S | | | | |
| MOR-9X4 | 9 | 17 | 50 | \$0.19 |
| MOR-11X4 | 11 | 19 | 50 | 0.23 |
| MOR-12X4 | 12 | 20 | 50 | 0.23 |
| MOR-14X4 | 14 | 22 | 50 | 0.24 |
| MOR-15X4 | 15 | 23 | 50 | 0.24 |
| MOR-16X4 | 16 | 24 | 50 | 0.57 |
| MOR-17X4 | 17 | 25 | 50 | 0.57 |
| MOR-19X4 | 19 | 27 | 50 | 0.29 |
| MOR-20X4 | 20 | 28 | 50 | 0.31 |
| MOR-21X4 | 21 | 29 | 50 | 0.31 |
| MOR-22X4 | 22 | 30 | 25 | 0.61 |
| MOR-23X4 | 23 | 31 | 25 | 0.34 |
| MOR-23.5X4 | 23.5 | 31.5 | 25 | 0.34 |
| MOR-24X4 | 24 | 32 | 25 | 0.34 |
| MOR-25X4 | 25 | 33 | 25 | 0.41 |
| MOR-27X4 | 27 | 35 | 25 | 0.42 |
| MOR-28X4 | 28 | 36 | 25 | 0.42 |
| MOR-30X4 | 30 | 38 | 20 | 0.48 |
| MOR-31X4 | 31 | 39 | 20 | 0.49 |
| MOR-32X4 | 32 | 40 | 20 | 0.58 |
| MOR-33X4 | 33 | 41 | 20 | 0.58 |
| MOR-34X4 | 34 | 42 | 20 | 0.58 |
| MOR-35X4 | 35 | 43 | 20 | 0.59 |
| MOR-37X4 | 37 | 45 | 20 | 0.63 |
| MOR-38X4 | 38 | 46 | 20 | 0.63 |
| MOR-40X4 | 40 | 48 | 20 | 0.65 |
| MOR-41X4 | 41 | 49 | 20 | 0.67 |
| MOR-42X4 | 42 | 50 | 20 | 0.67 |
| MOR-44X4 | 44 | 52 | 20 | 0.69 |
| MOR-45X4 | 45 | 53 | 20 | 0.69 |
| MOR-47X4 | 47 | 55 | 10 | 0.87 |
| MOR-48X4 | 48 | 56 | 10 | 0.87 |
| MOR-50X4 | 50 | 58 | 10 | 0.94 |
| MOR-52X4 | 52 | 60 | 10 | 0.98 |
| MOR-54X4 | 54 | 62 | 10 | 0.99 |
| MOR-55X4 | 55 | 63 | 10 | 0.99 |
| MOR-56X4 | 56 | 64 | 10 | 0.99 |
| MOR-57X4 | 57 | 65 | 10 | 1.00 |
| MOR-58X4 | 58 | 66 | 10 | 1.00 |
| MOR-60X4 | 60 | 68 | 10 | 1.22 |
| MOR-62X4 | 62 | 70 | 10 | 1.23 |
| MOR-64X4 | 64 | 72 | 10 | 1.23 |
| MOR-65X4 | 65 | 73 | 10 | 1.24 |
| MOR-66X4 | 66 | 74 | 10 | 1.46 |
| MOR-67X4 | 67 | 75 | 10 | 1.47 |
| MOR-68X4 | 68 | 76 | 10 | 1.47 |

| Part Number | A Nom. ID | B Nom. OD | Package Quantity | List Price |
|-------------|-----------|-----------|------------------|------------|
| MOR-70X4 | 70 | 78 | 10 | 1.47 |
| MOR-72X4 | 72 | 80 | 10 | 1.49 |
| MOR-75X4 | 75 | 83 | 10 | 1.59 |
| MOR-76X4 | 76 | 84 | 5 | 1.76 |
| MOR-78X4 | 78 | 86 | 5 | 1.76 |
| MOR-80X4 | 80 | 88 | 5 | 1.78 |
| MOR-82X4 | 82 | 90 | 5 | 1.80 |
| MOR-84X4 | 84 | 92 | 5 | 1.79 |
| MOR-85X4 | 85 | 93 | 5 | 1.75 |
| MOR-86X4 | 86 | 94 | 5 | 1.80 |
| MOR-89X4 | 89 | 97 | 5 | 1.82 |
| MOR-90X4 | 90 | 98 | 5 | 1.82 |
| MOR-92X4 | 92 | 100 | 5 | 1.89 |
| MOR-95X4 | 95 | 103 | 5 | 1.90 |
| MOR-96X4 | 96 | 104 | 5 | 2.24 |
| MOR-98X4 | 98 | 106 | 5 | 2.24 |
| MOR-100X4 | 100 | 108 | 5 | 2.24 |
| MOR-102X4 | 102 | 110 | 5 | 2.27 |
| MOR-104X4 | 104 | 112 | 5 | 2.30 |
| MOR-105X4 | 105 | 113 | 5 | 2.30 |
| MOR-108X4 | 108 | 116 | 5 | 2.32 |
| MOR-110X4 | 110 | 118 | 5 | 2.36 |
| MOR-112X4 | 112 | 120 | 5 | 2.37 |
| MOR-114X4 | 114 | 122 | 5 | 2.37 |
| MOR-115X4 | 115 | 123 | 5 | 2.37 |
| MOR-116X4 | 116 | 124 | 5 | 2.38 |
| MOR-117X4 | 117 | 125 | 5 | 2.38 |
| MOR-118X4 | 118 | 126 | 5 | 2.38 |
| MOR-119X4 | 119 | 127 | 5 | 2.40 |
| MOR-120X4 | 120 | 128 | 5 | 2.40 |
| MOR-124X4 | 124 | 132 | 5 | 2.43 |
| MOR-126X4 | 126 | 134 | 5 | 2.47 |
| MOR-127X4 | 127 | 135 | 5 | 2.47 |
| MOR-128X4 | 128 | 136 | 5 | 2.54 |
| MOR-129X4 | 129 | 137 | 5 | 2.54 |
| MOR-130X4 | 130 | 138 | 5 | 2.54 |
| MOR-132X4 | 132 | 140 | 5 | 2.57 |
| MOR-133X4 | 133 | 141 | 5 | 2.57 |
| MOR-134X4 | 134 | 142 | 5 | 2.60 |
| MOR-136X4 | 136 | 144 | 5 | 3.21 |
| MOR-137X4 | 137 | 145 | 5 | 3.21 |
| MOR-140X4 | 140 | 148 | 5 | 2.67 |
| MOR-142X4 | 142 | 150 | 5 | 2.67 |
| MOR-146X4 | 146 | 154 | 5 | 2.71 |
| MOR-150X4 | 150 | 158 | 5 | 2.97 |
| MOR-155X4 | 155 | 163 | 5 | 2.83 |
| MOR-160X4 | 160 | 168 | 5 | 2.84 |
| MOR-164X4 | 164 | 172 | 5 | 2.86 |
| MOR-170X4 | 170 | 178 | 5 | 3.19 |
| MOR-172X4 | 172 | 180 | 5 | 5.78 |
| MOR-177X4 | 177 | 185 | 5 | 5.85 |
| MOR-180X4 | 180 | 188 | 5 | 5.91 |
| MOR-200X4 | 200 | 208 | 5 | 7.26 |
| MOR-240X4 | 240 | 248 | 2 | 9.28 |
| MOR-250X4 | 250 | 258 | 2 | 9.36 |
| MOR-265X4 | 265 | 273 | 2 | 9.44 |
| MOR-270X4 | 270 | 278 | 2 | 9.44 |
| MOR-285X4 | 285 | 293 | 1 | 11.95 |

O-RINGS



O-RINGS - 70 DURO NITRILE

| Part Number | A Nom. ID | B Nom. OD | Package Quantity | List Price |
|----------------|-----------|-----------|------------------|------------|
| MOR-287X4 | 287 | 295 | 1 | 45.05 |
| MOR-438X4 | 438 | 446 | 1 | 20.96 |
| 5mm C/S | | | | |
| MOR-15X5 | 15 | 25 | 25 | \$0.34 |
| MOR-16X5 | 16 | 26 | 25 | 0.65 |
| MOR-18X5 | 18 | 28 | 1 | 0.78 |
| MOR-19X5 | 19 | 29 | 25 | 0.46 |
| MOR-20X5 | 20 | 30 | 20 | 0.48 |
| MOR-21X5 | 21 | 31 | 20 | 0.48 |
| MOR-22X5 | 22 | 32 | 20 | 0.49 |
| MOR-24X5 | 24 | 34 | 20 | 0.58 |
| MOR-27X5 | 27 | 37 | 20 | 0.60 |
| MOR-28X5 | 28 | 38 | 20 | 0.60 |
| MOR-30X5 | 30 | 40 | 20 | 0.70 |
| MOR-32X5 | 32 | 42 | 20 | 0.77 |
| MOR-35X5 | 35 | 45 | 20 | 0.83 |
| MOR-40X5 | 40 | 50 | 10 | 1.01 |
| MOR-42X5 | 42 | 52 | 10 | 1.06 |
| MOR-44X5 | 44 | 54 | 10 | 1.08 |
| MOR-45X5 | 45 | 55 | 10 | 1.12 |
| MOR-50X5 | 50 | 60 | 10 | 1.24 |
| MOR-52X5 | 52 | 62 | 10 | 1.28 |
| MOR-55X5 | 55 | 65 | 10 | 1.30 |
| MOR-58X5 | 58 | 68 | 10 | 1.28 |
| MOR-60X5 | 60 | 70 | 10 | 1.48 |
| MOR-65X5 | 65 | 75 | 10 | 1.57 |
| MOR-68X5 | 68 | 78 | 10 | 1.59 |
| MOR-70X5 | 70 | 80 | 10 | 1.60 |
| MOR-73X5 | 73 | 83 | 5 | 1.82 |
| MOR-75X5 | 75 | 85 | 5 | 1.83 |
| MOR-78X5 | 78 | 88 | 5 | 1.89 |
| MOR-80X5 | 80 | 90 | 5 | 1.90 |
| MOR-82X5 | 82 | 92 | 5 | 1.96 |
| MOR-85X5 | 85 | 95 | 5 | 1.97 |
| MOR-90X5 | 90 | 100 | 5 | 2.13 |
| MOR-92X5 | 92 | 102 | 5 | 2.12 |
| MOR-95X5 | 95 | 105 | 5 | 2.30 |
| MOR-97X5 | 97 | 107 | 5 | 2.49 |
| MOR-100X5 | 100 | 110 | 5 | 2.57 |
| MOR-105X5 | 105 | 115 | 5 | 2.61 |
| MOR-107X5 | 107 | 117 | 5 | 2.62 |
| MOR-108X5 | 108 | 118 | 5 | 2.62 |
| MOR-110X5 | 110 | 120 | 5 | 2.64 |
| MOR-112X5 | 112 | 122 | 5 | 2.67 |
| MOR-118X5 | 118 | 128 | 5 | 2.73 |
| MOR-120X5 | 120 | 130 | 5 | 3.02 |
| MOR-121X5 | 121 | 131 | 5 | 3.02 |
| MOR-122X5 | 122 | 132 | 5 | 3.03 |
| MOR-125X5 | 125 | 135 | 5 | 3.05 |
| MOR-130X5 | 130 | 140 | 5 | 3.07 |
| MOR-138X5 | 138 | 148 | 5 | 3.19 |
| MOR-140X5 | 140 | 150 | 5 | 3.21 |
| MOR-150X5 | 150 | 160 | 5 | 2.97 |
| MOR-155X5 | 155 | 165 | 2 | 4.13 |
| MOR-158X5 | 158 | 168 | 2 | 4.14 |
| MOR-160X5 | 160 | 170 | 2 | 4.15 |
| MOR-165X5 | 165 | 175 | 2 | 4.41 |

| Part Number | A Nom. ID | B Nom. OD | Package Quantity | List Price |
|-------------------|-----------|-----------|------------------|------------|
| MOR-173X5 | 173 | 183 | 2 | 4.42 |
| MOR-175X5 | 175 | 185 | 2 | 4.43 |
| MOR-180X5 | 180 | 190 | 2 | 4.62 |
| MOR-195X5 | 195 | 205 | 2 | 5.33 |
| MOR-200X5 | 200 | 210 | 2 | 5.39 |
| MOR-205X5 | 205 | 215 | 2 | 14.47 |
| MOR-220X5 | 220 | 230 | 2 | 8.45 |
| MOR-225X5 | 225 | 235 | 2 | 9.05 |
| MOR-235X5 | 235 | 245 | 1 | 10.04 |
| MOR-240X5 | 240 | 250 | 1 | 10.16 |
| MOR-245X5 | 245 | 255 | 1 | 10.35 |
| MOR-250X5 | 250 | 260 | 1 | 10.56 |
| MOR-255X5 | 255 | 265 | 1 | 10.67 |
| MOR-265X5 | 265 | 275 | 1 | 11.19 |
| MOR-275X5 | 275 | 285 | 1 | 11.29 |
| MOR-290X5 | 290 | 300 | 1 | 13.85 |
| MOR-300X5 | 300 | 310 | 1 | 13.85 |
| MOR-330X5 | 330 | 340 | 1 | 13.98 |
| MOR-345X5 | 345 | 355 | 1 | 15.59 |
| MOR-395X5 | 395 | 405 | 1 | 18.82 |
| 5.25mm C/S | | | | |
| MOR-182X5.25 | 182 | 192.5 | 1 | \$4.09 |
| 5.3mm C/S | | | | |
| MOR-40X5.3 | 40 | 50.6 | 10 | \$1.01 |
| MOR-41.3X5.3 | 41.3 | 51.9 | 1 | 6.68 |
| MOR-45X5.3 | 45 | 55.6 | 10 | 1.26 |
| MOR-50X5.3 | 50 | 60.6 | 10 | 1.28 |
| MOR-58X5.3 | 58 | 68.6 | 10 | 1.59 |
| MOR-61.3X5.3 | 61.3 | 71.9 | 1 | 6.94 |
| MOR-150X5.3 | 150 | 160.6 | 2 | 3.56 |
| MOR-170X5.3 | 170 | 180.6 | 2 | 5.73 |
| 5.7mm C/S | | | | |
| MOR-47.6X5.7 | 47.6 | 59 | 5 | \$2.30 |
| MOR-49.6X5.7 | 49.6 | 61 | 5 | 2.36 |
| MOR-51.6X5.7 | 51.6 | 63 | 5 | 2.40 |
| MOR-52.6X5.7 | 52.6 | 64 | 5 | 2.43 |
| MOR-54.6X5.7 | 54.6 | 66 | 5 | 2.49 |
| MOR-55.6X5.7 | 55.6 | 67 | 5 | 2.57 |
| MOR-57.6X5.7 | 57.6 | 69 | 5 | 3.35 |
| MOR-59.2X5.7 | 59.2 | 70.6 | 5 | 3.06 |
| MOR-59.6X5.7 | 59.6 | 71 | 2 | 3.38 |
| MOR-61.6X5.7 | 61.6 | 73 | 2 | 4.16 |
| MOR-62.6X5.7 | 62.6 | 74 | 2 | 4.20 |
| MOR-64.6X5.7 | 64.6 | 76 | 2 | 4.31 |
| MOR-66.6X5.7 | 66.6 | 78 | 2 | 4.37 |
| MOR-69.6X5.7 | 69.6 | 81 | 2 | 4.32 |
| MOR-70.6X5.7 | 70.6 | 82 | 2 | 4.43 |
| MOR-74.3X5.7 | 74.3 | 85.7 | 5 | 2.24 |
| MOR-74.6X5.7 | 74.6 | 86 | 2 | 4.62 |
| MOR-77.2X5.7 | 77.2 | 88.6 | 5 | 2.75 |
| MOR-79.3X5.7 | 79.3 | 90.7 | 5 | 2.37 |
| MOR-79.6X5.7 | 79.6 | 91 | 2 | 4.72 |
| MOR-84.3X5.7 | 84.3 | 95.7 | 5 | 2.47 |
| MOR-84.6X5.7 | 84.6 | 96 | 2 | 4.90 |
| MOR-89.3X5.7 | 89.3 | 100.7 | 5 | 2.49 |
| MOR-89.6X5.7 | 89.6 | 101 | 2 | 5.00 |
| MOR-94.3X5.7 | 94.3 | 105.7 | 5 | 3.05 |

O-RINGS

NORTH AMERICA
PHONE 1-800-777-5617
FAX 1-800-759-6391

SALES OFFICE HOURS
8 A.M. TO 7:30 P.M. EASTERN TIME
www.HerculesUS.com

WORLDWIDE
PHONE 1-727-796-1300
FAX 1-727-797-8849

O-RINGS - 70 DURO NITRILE

| Part Number | A Nom. ID | B Nom. OD | Package Quantity | List Price |
|---------------|-----------|-----------|------------------|------------|
| MOR-94.6X5.7 | 94.6 | 106 | 2 | 5.18 |
| MOR-99.3X5.7 | 99.3 | 110.7 | 5 | 3.07 |
| MOR-99.6X5.7 | 99.6 | 111 | 2 | 5.28 |
| MOR-101.6X5.7 | 101.6 | 113 | 2 | 6.62 |
| MOR-104.3X5.7 | 104.3 | 115.7 | 5 | 3.12 |
| MOR-104.6X5.7 | 104.6 | 116 | 2 | 6.74 |
| MOR-109.3X5.7 | 109.3 | 120.7 | 5 | 3.14 |
| MOR-109.6X5.7 | 109.6 | 121 | 2 | 6.86 |
| MOR-111.6X5.7 | 111.6 | 123 | 2 | 6.91 |
| MOR-114.3X5.7 | 114.3 | 125.7 | 2 | 4.79 |
| MOR-114.6X5.7 | 114.6 | 126 | 2 | 6.98 |
| MOR-119.6X5.7 | 119.6 | 131 | 2 | 7.11 |
| MOR-124.3X5.7 | 124.3 | 135.7 | 2 | 3.50 |
| MOR-124.6X5.7 | 124.6 | 136 | 2 | 7.22 |
| MOR-129.3X5.7 | 129.3 | 140.7 | 2 | 3.65 |
| MOR-129.6X5.7 | 129.6 | 141 | 2 | 7.27 |
| MOR-131.6X5.7 | 131.6 | 143 | 2 | 7.32 |
| MOR-134.3X5.7 | 134.3 | 145.7 | 2 | 3.82 |
| MOR-134.6X5.7 | 134.6 | 146 | 2 | 7.39 |
| MOR-139.6X5.7 | 139.6 | 151 | 2 | 7.49 |
| MOR-144.3X5.7 | 144.3 | 155.7 | 2 | 4.13 |
| MOR-144.6X5.7 | 144.6 | 156 | 2 | 7.62 |
| MOR-149.3X5.7 | 149.3 | 160.7 | 2 | 5.68 |
| MOR-149.6X5.7 | 149.6 | 161 | 2 | 9.07 |
| MOR-154.3X5.7 | 154.3 | 165.7 | 2 | 5.75 |
| MOR-159.3X5.7 | 159.3 | 170.7 | 2 | 5.72 |
| MOR-164.3X5.7 | 164.3 | 175.7 | 2 | 5.78 |
| MOR-169.3X5.7 | 169.3 | 180.7 | 2 | 5.89 |
| MOR-174.3X5.7 | 174.3 | 185.7 | 2 | 7.93 |
| MOR-179.3X5.7 | 179.3 | 190.7 | 2 | 14.89 |
| MOR-184.3X5.7 | 184.3 | 195.7 | 2 | 8.10 |
| MOR-189.3X5.7 | 189.3 | 200.7 | 2 | 8.17 |
| MOR-194.3X5.7 | 194.3 | 205.7 | 2 | 8.26 |
| MOR-199.3X5.7 | 199.3 | 210.7 | 2 | 9.64 |
| MOR-209.3X5.7 | 209.3 | 220.7 | 2 | 9.81 |
| MOR-214.3X5.7 | 214.3 | 225.7 | 2 | 9.83 |
| MOR-219.3X5.7 | 219.3 | 230.7 | 2 | 10.01 |
| MOR-224.3X5.7 | 224.3 | 235.7 | 1 | 10.16 |
| MOR-229.3X5.7 | 229.3 | 240.7 | 1 | 10.16 |
| MOR-234.3X5.7 | 234.3 | 245.7 | 1 | 10.90 |
| MOR-239.3X5.7 | 239.3 | 250.7 | 1 | 11.10 |
| MOR-249.3X5.7 | 249.3 | 260.7 | 1 | 11.70 |
| MOR-254.3X5.7 | 254.3 | 265.7 | 1 | 12.78 |
| MOR-259.3X5.7 | 259.3 | 270.7 | 1 | 12.83 |
| MOR-269.3X5.7 | 269.3 | 280.7 | 1 | 12.94 |
| MOR-279.3X5.7 | 279.3 | 290.7 | 1 | 13.67 |
| MOR-289.3X5.7 | 289.3 | 300.7 | 1 | 14.45 |
| MOR-299.3X5.7 | 299.3 | 310.7 | 1 | 14.54 |
| MOR-304.3X5.7 | 304.3 | 315.7 | 1 | 17.03 |
| MOR-309.3X5.7 | 309.3 | 320.7 | 1 | 17.03 |
| MOR-359.3X5.7 | 359.3 | 370.7 | 1 | 19.75 |
| MOR-399.3X5.7 | 399.3 | 410.7 | 1 | 26.04 |
| MOR-404.3X5.7 | 404.3 | 415.7 | 1 | 26.38 |
| MOR-424.3X5.7 | 424.3 | 435.7 | 1 | 26.90 |
| MOR-439.3X5.7 | 439.3 | 450.7 | 1 | 28.63 |
| MOR-444.3X5.7 | 444.3 | 455.7 | 1 | 28.82 |
| MOR-459.3X5.7 | 459.3 | 470.7 | 1 | 30.38 |
| MOR-464.3X5.7 | 464.3 | 475.7 | 1 | 30.59 |

| Part Number | A Nom. ID | B Nom. OD | Package Quantity | List Price |
|-------------------|-----------|-----------|------------------|------------|
| MOR-469.3X5.7 | 469.3 | 480.7 | 1 | 30.92 |
| MOR-474.3X5.7 | 474.3 | 485.7 | 1 | 30.81 |
| MOR-489.3X5.7 | 489.3 | 500.7 | 1 | 32.05 |
| MOR-494.3X5.7 | 494.3 | 505.7 | 1 | 32.28 |
| MOR-499.3X5.7 | 499.3 | 510.7 | 1 | 32.84 |
| 6mm C/S | | | | |
| MOR-20X6 | 20 | 32 | 10 | \$0.90 |
| MOR-25X6 | 25 | 37 | 10 | 0.90 |
| MOR-37X6 | 37 | 49 | 10 | 1.37 |
| MOR-46X6 | 46 | 58 | 10 | 1.38 |
| MOR-114X6 | 114 | 126 | 5 | 5.50 |
| MOR-160X6 | 160 | 172 | 2 | 4.81 |
| MOR-242X6 | 242 | 254 | 1 | 12.12 |
| MOR-335X6 | 335 | 347 | 1 | 27.19 |
| 6.99mm C/S | | | | |
| MOR-297.8X6.99 | 297.8 | 311.78 | 1 | \$11.04 |
| 8mm C/S | | | | |
| MOR-100X8 | 100 | 116 | 1 | \$3.50 |
| MOR-180X8 | 180 | 196 | 1 | 48.84 |
| MOR-215X8 | 215 | 231 | 1 | 11.04 |
| MOR-280X8 | 280 | 296 | 1 | 21.92 |
| 8.4mm C/S | | | | |
| MOR-144.1X8.4 | 144.1 | 160.9 | 1 | \$12.21 |
| MOR-149.5X8.4 | 149.5 | 166.3 | 1 | 23.30 |
| MOR-154.5X8.4 | 154.5 | 171.3 | 1 | 13.10 |
| MOR-159.5X8.4 | 159.5 | 176.3 | 1 | 24.77 |
| MOR-164.1X8.4 | 164.1 | 180.9 | 1 | 13.29 |
| MOR-164.5X8.4 | 164.5 | 181.3 | 1 | 13.29 |
| MOR-169.5X8.4 | 169.5 | 186.3 | 1 | 13.29 |
| MOR-174.5X8.4 | 174.5 | 191.3 | 1 | 27.23 |
| MOR-179.5X8.4 | 179.5 | 196.3 | 1 | 14.01 |
| MOR-184.5X8.4 | 184.5 | 201.3 | 1 | 14.18 |
| MOR-189.5X8.4 | 189.5 | 206.3 | 1 | 14.39 |
| MOR-194.5X8.4 | 194.5 | 211.3 | 1 | 30.54 |
| MOR-199.5X8.4 | 199.5 | 216.3 | 1 | 14.76 |
| MOR-204.5X8.4 | 204.5 | 221.3 | 1 | 14.96 |
| MOR-208.5X8.4 | 208.5 | 225.3 | 1 | 16.18 |
| MOR-209.5X8.4 | 209.5 | 226.3 | 1 | 18.13 |
| MOR-214.5X8.4 | 214.5 | 231.3 | 1 | 16.56 |
| MOR-219.5X8.4 | 219.5 | 236.3 | 1 | 16.56 |
| MOR-224.5X8.4 | 224.5 | 241.3 | 1 | 16.75 |
| MOR-229.5X8.4 | 229.5 | 246.3 | 1 | 37.16 |
| MOR-234.5X8.4 | 234.5 | 251.3 | 1 | 27.84 |
| MOR-239.5X8.4 | 239.5 | 256.3 | 1 | 28.00 |
| MOR-244.5X8.4 | 244.5 | 261.3 | 1 | 28.14 |
| MOR-249.5X8.4 | 249.5 | 266.3 | 1 | 28.37 |
| MOR-259.5X8.4 | 259.5 | 276.3 | 1 | 28.76 |
| MOR-269.5X8.4 | 269.5 | 286.3 | 1 | 29.03 |
| MOR-279.5X8.4 | 279.5 | 296.3 | 1 | 29.48 |
| MOR-284.5X8.4 | 284.5 | 301.3 | 1 | 29.65 |
| MOR-289.5X8.4 | 289.5 | 306.3 | 1 | 29.85 |
| MOR-294.5X8.4 | 294.5 | 311.3 | 1 | 30.80 |
| MOR-299.5X8.4 | 299.5 | 316.3 | 1 | 57.78 |
| MOR-314.5X8.4 | 314.5 | 331.3 | 1 | 36.94 |
| MOR-319.5X8.4 | 319.5 | 336.3 | 1 | 66.12 |
| MOR-339.5X8.4 | 339.5 | 356.3 | 1 | 79.35 |

O-RINGS

O-RINGS - 70 DURO NITRILE

| Part Number | A Nom. ID | B Nom. OD | Package Quantity | List Price |
|-----------------|-----------|-----------|------------------|------------|
| MOR-359.5X8.4 | 359.5 | 376.3 | 1 | 57.78 |
| MOR-384.5X8.4 | 384.5 | 401.3 | 1 | 63.00 |
| MOR-399.5X8.4 | 399.5 | 416.3 | 1 | 67.83 |
| 10mm C/S | | | | |
| MOR-78X10 | 78 | 98 | 1 | \$4.16 |
| MOR-145X10 | 145 | 165 | 1 | 23.68 |
| 12mm C/S | | | | |
| MOR-130X12 | 130 | 154 | 1 | \$11.03 |

O-RINGS

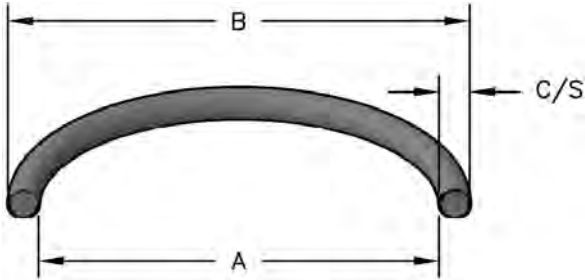


Hercules Offers a Complete Line of Cylinder Repair Parts for Mobile and Industrial Applications.

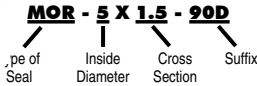
Stock Includes Cylinder Glands, Caps, Heads and Pistons.

View the Complete Product Line at www.HerculesUS.com.

O-RINGS - 90 DURO NITRILE



HERCULES PART NUMBERS



| SEAL INFORMATION | |
|-------------------|------------------|
| MATERIAL | 90A DURO NITRILE |
| TEMPERATURE RANGE | -40° TO +220° F |
| SPEED | 3 FT/SEC |

| Part Number | A Nom. ID | B Nom. OD | Package Quantity | List Price |
|------------------|-----------|-----------|------------------|------------|
| 1.5mm C/S | | | | |
| MOR-5X1.5-90D | 5 | 8 | 50 | \$0.22 |
| MOR-13X1.5-90D | 13 | 16 | 50 | 0.23 |
| MOR-16X1.5-90D | 16 | 19 | 50 | 0.26 |
| MOR-80X1.5-90D | 80 | 83 | 10 | 0.43 |
| 1.6mm C/S | | | | |
| MOR-2.2X1.6-90D | 2.2 | 5.4 | 25 | \$0.40 |
| MOR-3.1X1.6-90D | 3.1 | 6.3 | 25 | 0.40 |
| MOR-4.1X1.6-90D | 4.1 | 7.3 | 25 | 0.43 |
| MOR-7.1X1.6-90D | 7.1 | 10.3 | 20 | 0.46 |
| MOR-9.1X1.6-90D | 9.1 | 12.3 | 20 | 0.48 |
| MOR-10.1X1.6-90D | 10.1 | 13.3 | 20 | 0.48 |
| MOR-13.1X1.6-90D | 13.1 | 16.3 | 20 | 0.55 |
| MOR-22.1X1.6-90D | 22.1 | 25.3 | 20 | 0.76 |
| 1.8mm C/S | | | | |
| MOR-13.3X1.8-90D | 13.3 | 16.9 | 2 | \$3.51 |
| MOR-74X1.8-90D | 74 | 77.6 | 5 | 2.55 |
| 1.9mm C/S | | | | |
| MOR-2.8X1.9-90D | 2.8 | 6.6 | 100 | \$0.08 |
| MOR-3.8X1.9-90D | 3.8 | 7.6 | 100 | 0.08 |
| MOR-4.8X1.9-90D | 4.8 | 8.6 | 100 | 0.11 |
| MOR-5.8X1.9-90D | 5.8 | 9.6 | 100 | 0.11 |
| MOR-6.8X1.9-90D | 6.8 | 10.6 | 50 | 0.23 |
| MOR-7.8X1.9-90D | 7.8 | 11.6 | 50 | 0.25 |
| MOR-8.8X1.9-90D | 8.8 | 12.6 | 50 | 0.25 |
| MOR-9.8X1.9-90D | 9.8 | 13.6 | 50 | 0.26 |
| 2mm C/S | | | | |
| MOR-4X2-90D | 4 | 8 | 100 | \$0.12 |
| MOR-6X2-90D | 6 | 10 | 50 | 0.19 |
| MOR-8X2-90D | 8 | 12 | 50 | 0.19 |
| MOR-9X2-90D | 9 | 13 | 50 | 0.19 |
| MOR-10X2-90D | 10 | 14 | 50 | 0.22 |
| MOR-11X2-90D | 11 | 15 | 50 | 0.52 |
| MOR-12X2-90D | 12 | 16 | 50 | 0.22 |
| MOR-14X2-90D | 14 | 18 | 50 | 0.22 |
| MOR-16X2-90D | 16 | 20 | 50 | 0.23 |
| MOR-17X2-90D | 17 | 21 | 10 | 1.44 |
| MOR-17.5X2-90D | 17.5 | 21.5 | 2 | 2.85 |
| MOR-19X2-90D | 19 | 23 | 50 | 0.28 |
| MOR-20X2-90D | 20 | 24 | 25 | 0.33 |
| MOR-28X2-90D | 28 | 32 | 20 | 0.57 |
| 2.1mm C/S | | | | |

| Part Number | A Nom. ID | B Nom. OD | Package Quantity | List Price |
|-------------------|-----------|-----------|------------------|------------|
| MOR-13.4X2.1-90D | 13.4 | 17.6 | 50 | \$0.17 |
| MOR-17.4X2.1-90D | 17.4 | 21.6 | 20 | 0.95 |
| 2.4mm C/S | | | | |
| MOR-4.3X2.4-90D | 4.3 | 9.1 | 50 | \$0.30 |
| MOR-5.3X2.4-90D | 5.3 | 10.1 | 50 | 0.30 |
| MOR-5.6X2.4-90D | 5.6 | 10.4 | 50 | 0.30 |
| MOR-7.3X2.4-90D | 7.3 | 12.1 | 25 | 0.33 |
| MOR-7.6X2.4-90D | 7.6 | 12.4 | 25 | 0.34 |
| MOR-8.3X2.4-90D | 8.3 | 13.1 | 20 | 0.43 |
| MOR-8.6X2.4-90D | 8.6 | 13.4 | 20 | 0.46 |
| MOR-9.8X2.4-90D | 9.8 | 14.6 | 25 | 0.40 |
| MOR-10.8X2.4-90D | 10.8 | 15.6 | 25 | 0.41 |
| MOR-11X2.4-90D | 11 | 15.8 | 25 | 0.41 |
| MOR-11.8X2.4-90D | 11.8 | 16.6 | 25 | 0.41 |
| MOR-12.3X2.4-90D | 12.3 | 17.1 | 20 | 0.55 |
| MOR-12.8X2.4-90D | 12.8 | 17.6 | 25 | 0.41 |
| MOR-13.8X2.4-90D | 13.8 | 18.6 | 20 | 0.57 |
| MOR-14.3X2.4-90D | 14.3 | 19.1 | 20 | 0.55 |
| MOR-14.8X2.4-90D | 14.8 | 19.6 | 20 | 0.56 |
| MOR-15.3X2.4-90D | 15.3 | 20.1 | 20 | 0.56 |
| MOR-15.8X2.4-90D | 15.8 | 20.6 | 20 | 0.56 |
| MOR-16.3X2.4-90D | 16.3 | 21.1 | 20 | 0.63 |
| MOR-16.8X2.4-90D | 16.8 | 21.6 | 20 | 0.57 |
| MOR-17.8X2.4-90D | 17.8 | 22.6 | 20 | 0.57 |
| MOR-18.8X2.4-90D | 18.8 | 23.6 | 20 | 0.57 |
| MOR-19.8X2.4-90D | 19.8 | 24.6 | 20 | 0.75 |
| MOR-20.8X2.4-90D | 20.8 | 25.6 | 20 | 0.75 |
| MOR-21.8X2.4-90D | 21.8 | 26.6 | 20 | 0.77 |
| 2.5mm C/S | | | | |
| MOR-10X2.5-90D | 10 | 15 | 50 | \$0.22 |
| MOR-11X2.5-90D | 11 | 16 | 10 | 1.17 |
| MOR-13X2.5-90D | 13 | 18 | 50 | 0.25 |
| MOR-14X2.5-90D | 14 | 19 | 50 | 0.72 |
| MOR-15X2.5-90D | 15 | 20 | 25 | 0.34 |
| MOR-17X2.5-90D | 17 | 22 | 25 | 0.40 |
| MOR-18X2.5-90D | 18 | 23 | 25 | 0.41 |
| MOR-19X2.5-90D | 19 | 24 | 25 | 0.43 |
| MOR-24X2.5-90D | 24 | 29 | 20 | 0.99 |
| 2.6mm C/S | | | | |
| MOR-14.1X2.6-90D | 14.1 | 19.3 | 5 | \$4.10 |
| 2.65mm C/S | | | | |
| MOR-14.8X2.65-90D | 14.8 | 20.1 | 5 | \$4.10 |

O-RINGS



O-RINGS - 90 DURO NITRILE

O-RINGS

| Part Number | A Nom. ID | B Nom. OD | Package Quantity | List Price |
|-------------------|-----------|-----------|------------------|------------|
| 3mm C/S | | | | |
| MOR-9X3-90D | 9 | 15 | 50 | \$0.23 |
| MOR-10X3-90D | 10 | 16 | 50 | 0.23 |
| MOR-11X3-90D | 11 | 17 | 50 | 0.23 |
| MOR-17X3-90D | 17 | 23 | 20 | 0.79 |
| MOR-18X3-90D | 18 | 24 | 10 | 0.85 |
| MOR-19.2X3-90D | 19.2 | 25.2 | 10 | 1.11 |
| MOR-20X3-90D | 20 | 26 | 10 | 6.45 |
| MOR-22.2X3-90D | 22.2 | 28.2 | 10 | 1.20 |
| MOR-23X3-90D | 23 | 29 | 10 | 1.24 |
| MOR-26.2X3-90D | 26.2 | 32.2 | 10 | 1.42 |
| MOR-27X3-90D | 27 | 33 | 10 | 1.50 |
| MOR-34X3-90D | 34 | 40 | 10 | 1.60 |
| MOR-42.2X3-90D | 42.2 | 48.2 | 5 | 1.99 |
| MOR-44.2X3-90D | 44.2 | 50.2 | 5 | 2.03 |
| MOR-45X3-90D | 45 | 51 | 5 | 2.03 |
| MOR-50X3-90D | 50 | 56 | 5 | 2.26 |
| MOR-56X3-90D | 56 | 62 | 5 | 2.40 |
| MOR-57X3-90D | 57 | 63 | 5 | 2.48 |
| MOR-59.5X3-90D | 59.5 | 65.5 | 20 | 1.0923 |
| MOR-60X3-90D | 60 | 66 | 5 | 2.53 |
| MOR-62X3-90D | 62 | 68 | 5 | 4.00 |
| MOR-64.5X3-90D | 64.5 | 70.5 | 5 | 2.59 |
| MOR-70X3-90D | 70 | 76 | 5 | 1.11 |
| MOR-84X3-90D | 84 | 90 | 1 | 8.40 |
| MOR-94X3-90D | 94 | 100 | 5 | 9.26 |
| MOR-94.3X3-90D | 94.3 | 100.3 | 5 | 2.66 |
| MOR-105X3-90D | 105 | 111 | 1 | 3.38 |
| MOR-135X3-90D | 135 | 141 | 1 | 3.03 |
| MOR-144.5X3-90D | 144.5 | 150.5 | 1 | 4.98 |
| 3.1mm C/S | | | | |
| MOR-24.4X3.1-90D | 24.4 | 30.6 | 25 | \$0.40 |
| MOR-29.4X3.1-90D | 29.4 | 35.6 | 20 | 0.54 |
| MOR-34.4X3.1-90D | 34.4 | 40.6 | 20 | 0.66 |
| MOR-39.4X3.1-90D | 39.4 | 45.6 | 20 | 0.72 |
| MOR-44.4X3.1-90D | 44.4 | 50.6 | 10 | 1.45 |
| MOR-49.4X3.1-90D | 49.4 | 55.6 | 10 | 1.53 |
| MOR-54.4X3.1-90D | 54.4 | 60.6 | 10 | 1.59 |
| MOR-59.4X3.1-90D | 59.4 | 65.6 | 5 | 1.83 |
| MOR-62.4X3.1-90D | 62.4 | 68.6 | 10 | 5.50 |
| MOR-64.4X3.1-90D | 64.4 | 70.6 | 5 | 1.82 |
| MOR-69.4X3.1-90D | 69.4 | 75.6 | 5 | 1.84 |
| MOR-74.4X3.1-90D | 74.4 | 80.6 | 5 | 7.09 |
| MOR-79.4X3.1-90D | 79.4 | 85.6 | 5 | 2.23 |
| MOR-84.4X3.1-90D | 84.4 | 90.6 | 5 | 2.30 |
| MOR-89.4X3.1-90D | 89.4 | 95.6 | 5 | 2.32 |
| MOR-94.4X3.1-90D | 94.4 | 100.6 | 5 | 2.38 |
| MOR-99.4X3.1-90D | 99.4 | 105.6 | 5 | 2.59 |
| MOR-104.4X3.1-90D | 104.4 | 110.6 | 5 | 2.65 |
| MOR-109.4X3.1-90D | 109.4 | 115.6 | 5 | 2.69 |
| MOR-114.4X3.1-90D | 114.4 | 120.6 | 5 | 2.73 |
| MOR-119.4X3.1-90D | 119.4 | 125.6 | 5 | 2.96 |
| MOR-124.4X3.1-90D | 124.4 | 130.6 | 5 | 3.01 |
| MOR-129.4X3.1-90D | 129.4 | 135.6 | 5 | 3.03 |
| MOR-134.4X3.1-90D | 134.4 | 140.6 | 2 | 3.55 |
| MOR-139.4X3.1-90D | 139.4 | 145.6 | 2 | 6.34 |
| MOR-144.4X3.1-90D | 144.4 | 150.6 | 2 | 3.64 |

| Part Number | A Nom. ID | B Nom. OD | Package Quantity | List Price |
|--------------------|-----------|-----------|------------------|------------|
| 3.5mm C/S | | | | |
| MOR-21.7X3.5-90D | 21.7 | 28.7 | 20 | \$0.46 |
| MOR-22.1X3.5-90D | 22.1 | 29.1 | 20 | 0.56 |
| MOR-23.7X3.5-90D | 23.7 | 30.7 | 20 | 0.72 |
| MOR-24.7X3.5-90D | 24.7 | 31.7 | 20 | 0.72 |
| MOR-25.2X3.5-90D | 25.2 | 32.2 | 20 | 0.56 |
| MOR-25.7X3.5-90D | 25.7 | 32.7 | 10 | 0.94 |
| MOR-27.7X3.5-90D | 27.7 | 34.7 | 10 | 1.00 |
| MOR-28.7X3.5-90D | 28.7 | 35.7 | 10 | 1.19 |
| MOR-29X3.5-90D | 29 | 36 | 1 | 2.86 |
| MOR-29.2X3.5-90D | 29.2 | 36.2 | 20 | 0.61 |
| MOR-29.7X3.5-90D | 29.7 | 36.7 | 10 | 1.20 |
| MOR-30.7X3.5-90D | 30.7 | 37.7 | 10 | 1.24 |
| MOR-31.2X3.5-90D | 31.2 | 38.2 | 20 | 0.63 |
| MOR-31.7X3.5-90D | 31.7 | 38.7 | 10 | 1.26 |
| MOR-33.7X3.5-90D | 33.7 | 40.7 | 10 | 1.32 |
| MOR-34.7X3.5-90D | 34.7 | 41.7 | 10 | 1.32 |
| MOR-35.2X3.5-90D | 35.2 | 42.2 | 20 | 0.79 |
| MOR-35.7X3.5-90D | 35.7 | 42.7 | 10 | 1.34 |
| MOR-37.7X3.5-90D | 37.7 | 44.7 | 10 | 1.41 |
| MOR-38.7X3.5-90D | 38.7 | 45.7 | 10 | 1.42 |
| MOR-39.7X3.5-90D | 39.7 | 46.7 | 10 | 1.43 |
| MOR-40.7X3.5-90D | 40.7 | 47.7 | 10 | 1.45 |
| MOR-41.7X3.5-90D | 41.7 | 48.7 | 10 | 1.50 |
| MOR-43X3.5-90D | 43 | 50 | 5 | 2.56 |
| MOR-43.7X3.5-90D | 43.7 | 50.7 | 5 | 1.62 |
| MOR-44.7X3.5-90D | 44.7 | 51.7 | 5 | 1.62 |
| MOR-45.7X3.5-90D | 45.7 | 52.7 | 5 | 1.65 |
| MOR-47.7X3.5-90D | 47.7 | 54.7 | 5 | 2.10 |
| MOR-48.7X3.5-90D | 48.7 | 55.7 | 5 | 2.16 |
| MOR-49X3.5-90D | 49 | 56 | 10 | 4.38 |
| MOR-49.7X3.5-90D | 49.7 | 56.7 | 5 | 2.17 |
| MOR-59X3.5-90D | 59 | 66 | 5 | 2.18 |
| MOR-73X3.5-90D | 73 | 80 | 5 | 4.08 |
| 3.53mm C/S | | | | |
| MOR-65.09X3.53-90D | 65.09 | 72.15 | 1 | \$3.94 |
| 4mm C/S | | | | |
| MOR-56X4-90D | 56 | 64 | 1 | \$2.89 |
| MOR-62X4-90D | 62 | 70 | 5 | 1.65 |
| MOR-72X4-90D | 72 | 80 | 1 | 4.17 |
| MOR-75X4-90D | 75 | 83 | 10 | 1.29 |
| MOR-115X4-90D | 115 | 123 | 1 | 6.13 |
| 4.5mm C/S | | | | |
| MOR-80X4.5-90D | 80 | 89 | 1 | \$5.14 |
| 5mm C/S | | | | |
| MOR-75X5-90D | 75 | 85 | 2 | \$4.96 |
| MOR-90X5-90D | 90 | 100 | 1 | 2.13 |
| MOR-110X5-90D | 110 | 120 | 2 | 7.32 |
| MOR-120X5-90D | 120 | 130 | 1 | 7.01 |
| MOR-130X5-90D | 130 | 140 | 2 | 8.11 |
| MOR-150X5-90D | 150 | 160 | 1 | 11.29 |
| MOR-152X5-90D | 152 | 162 | 1 | 5.40 |
| MOR-170X5-90D | 170 | 180 | 1 | 11.06 |
| MOR-190X5-90D | 190 | 200 | 1 | 10.62 |
| 5.7mm C/S | | | | |
| MOR-47.6X5.7-90D | 47.6 | 59 | 5 | \$2.31 |

NORTH AMERICA
PHONE 1-800-777-5617
FAX 1-800-759-6391

SALES OFFICE HOURS
8 A.M. TO 7:30 P.M. EASTERN TIME
www.HerculesUS.com

WORLDWIDE
PHONE 1-727-796-1300
FAX 1-727-797-8849



O-RINGS - 90 DURO NITRILE

| Part Number | A Nom. ID | B Nom. OD | Package Quantity | List Price |
|-------------------|-----------|-----------|------------------|------------|
| MOR-49.6X5.7-90D | 49.6 | 61 | 5 | 2.38 |
| MOR-52.6X5.7-90D | 52.6 | 64 | 5 | 2.48 |
| MOR-54.6X5.7-90D | 54.6 | 66 | 5 | 2.54 |
| MOR-55.6X5.7-90D | 55.6 | 67 | 5 | 2.55 |
| MOR-57.6X5.7-90D | 57.6 | 69 | 2 | 3.37 |
| MOR-59.6X5.7-90D | 59.6 | 71 | 2 | 3.39 |
| MOR-62.6X5.7-90D | 62.6 | 74 | 2 | 4.74 |
| MOR-64.6X5.7-90D | 64.6 | 76 | 2 | 4.28 |
| MOR-66.6X5.7-90D | 66.6 | 78 | 2 | 4.34 |
| MOR-69.6X5.7-90D | 69.6 | 81 | 2 | 4.46 |
| MOR-70.6X5.7-90D | 70.6 | 82 | 2 | 4.49 |
| MOR-74.6X5.7-90D | 74.6 | 86 | 2 | 4.61 |
| MOR-79.6X5.7-90D | 79.6 | 91 | 2 | 4.78 |
| MOR-84.6X5.7-90D | 84.6 | 96 | 2 | 4.89 |
| MOR-89.6X5.7-90D | 89.6 | 101 | 2 | 5.55 |
| MOR-92.2X5.7-90D | 92.2 | 103.6 | 2 | 7.19 |
| MOR-94.6X5.7-90D | 94.6 | 106 | 2 | 6.48 |
| MOR-99.6X5.7-90D | 99.6 | 111 | 2 | 6.62 |
| MOR-101.6X5.7-90D | 101.6 | 113 | 2 | 6.69 |
| MOR-104.6X5.7-90D | 104.6 | 116 | 2 | 6.75 |
| MOR-109.6X5.7-90D | 109.6 | 121 | 2 | 6.88 |
| MOR-111.6X5.7-90D | 111.6 | 123 | 2 | 6.94 |
| MOR-114.6X5.7-90D | 114.6 | 126 | 2 | 7.03 |
| MOR-119.6X5.7-90D | 119.6 | 131 | 2 | 7.16 |
| MOR-124.6X5.7-90D | 124.6 | 136 | 2 | 7.16 |
| MOR-129.6X5.7-90D | 129.6 | 141 | 2 | 7.16 |
| MOR-131.6X5.7-90D | 131.6 | 143 | 2 | 7.19 |
| MOR-134.6X5.7-90D | 134.6 | 146 | 2 | 7.26 |
| MOR-139.6X5.7-90D | 139.6 | 151 | 2 | 7.32 |
| MOR-144.6X5.7-90D | 144.6 | 156 | 2 | 7.46 |
| MOR-149.3X5.7-90D | 149.3 | 160.7 | 2 | 7.77 |
| MOR-149.6X5.7-90D | 149.6 | 161 | 2 | 9.13 |
| MOR-154.3X5.7-90D | 154.3 | 165.7 | 2 | 9.25 |
| MOR-159.3X5.7-90D | 159.3 | 170.7 | 2 | 9.65 |
| MOR-164.3X5.7-90D | 164.3 | 175.7 | 1 | 11.69 |
| MOR-169.3X5.7-90D | 169.3 | 180.7 | 1 | 11.79 |
| MOR-174.3X5.7-90D | 174.3 | 185.7 | 1 | 12.00 |
| MOR-179.3X5.7-90D | 179.3 | 190.7 | 1 | 13.39 |
| MOR-184.3X5.7-90D | 184.3 | 195.7 | 1 | 13.55 |
| MOR-189.3X5.7-90D | 189.3 | 200.7 | 1 | 13.69 |
| MOR-194.3X5.7-90D | 194.3 | 205.7 | 1 | 13.86 |
| MOR-199.3X5.7-90D | 199.3 | 210.7 | 1 | 17.83 |
| MOR-204.3X5.7-90D | 204.3 | 215.7 | 1 | 18.83 |
| MOR-209.3X5.7-90D | 209.3 | 220.7 | 1 | 21.15 |
| MOR-214.3X5.7-90D | 214.3 | 225.7 | 1 | 22.07 |
| MOR-219.3X5.7-90D | 219.3 | 230.7 | 1 | 25.13 |
| MOR-229.3X5.7-90D | 229.3 | 240.7 | 1 | 26.04 |
| MOR-239.3X5.7-90D | 239.3 | 250.7 | 1 | 27.66 |
| MOR-259.3X5.7-90D | 259.3 | 270.7 | 1 | 32.27 |
| MOR-269.3X5.7-90D | 269.3 | 280.7 | 1 | 32.51 |
| MOR-274.3X5.7-90D | 274.3 | 285.7 | 1 | 32.54 |
| MOR-279.3X5.7-90D | 279.3 | 290.7 | 1 | 34.18 |
| MOR-289.3X5.7-90D | 289.3 | 300.7 | 1 | 40.33 |
| 6mm C/S | | | | |
| MOR-155X6-90D | 155 | 167 | 1 | \$14.17 |
| MOR-175X6-90D | 175 | 187 | 1 | 16.53 |
| 6.5mm C/S | | | | |

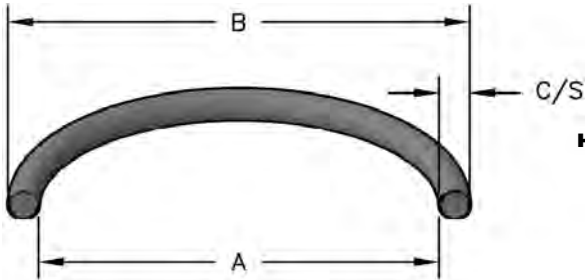
| Part Number | A Nom. ID | B Nom. OD | Package Quantity | List Price |
|---------------------|-----------|-----------|------------------|------------|
| MOR-257.5X6.5-90D | 257.5 | 270.5 | 1 | \$76.41 |
| 6.99mm C/S | | | | |
| MOR-221.66X6.99-90D | 221.66 | 235.64 | 1 | \$10.66 |
| 8.4mm C/S | | | | |
| MOR-149.5X8.4-90D | 149.5 | 166.3 | 1 | \$25.62 |
| MOR-154.5X8.4-90D | 154.5 | 171.3 | 1 | 16.47 |
| MOR-159.5X8.4-90D | 159.5 | 176.3 | 1 | 18.20 |
| MOR-164.5X8.4-90D | 164.5 | 181.3 | 1 | 18.45 |
| MOR-169.5X8.4-90D | 169.5 | 186.3 | 1 | 18.69 |
| MOR-174.5X8.4-90D | 174.5 | 191.3 | 1 | 18.95 |
| MOR-179.5X8.4-90D | 179.5 | 196.3 | 1 | 20.54 |
| MOR-184.5X8.4-90D | 184.5 | 201.3 | 1 | 21.40 |
| MOR-189.5X8.4-90D | 189.5 | 206.3 | 1 | 21.69 |
| MOR-194.5X8.4-90D | 194.5 | 211.3 | 1 | 21.95 |
| MOR-199.5X8.4-90D | 199.5 | 216.3 | 1 | 22.25 |
| MOR-208.5X8.4-90D | 208.5 | 225.3 | 1 | 27.07 |
| MOR-209.5X8.4-90D | 209.5 | 226.3 | 1 | 27.17 |
| MOR-214.5X8.4-90D | 214.5 | 231.3 | 1 | 28.18 |
| MOR-219.5X8.4-90D | 219.5 | 236.3 | 1 | 32.17 |
| MOR-234.5X8.4-90D | 234.5 | 251.3 | 1 | 41.92 |
| MOR-244.5X8.4-90D | 244.5 | 261.3 | 1 | 40.34 |
| MOR-264.5X8.4-90D | 264.5 | 281.3 | 1 | 64.67 |
| MOR-299.5X8.4-90D | 299.5 | 316.3 | 1 | 85.49 |
| MOR-374.5X8.4-90D | 374.5 | 391.3 | 1 | 120.45 |

O-RINGS



O-RINGS - 75 DURO FLUOROCARBON

Please specify 75 or 90 Durometer when ordering. Metric o-rings are offered in minimum package quantities (MP in chart).



HERCULES PART NUMBERS

MOR - 3 X 1
 Type of Seal Inside Diameter Cross Section

SEAL INFORMATION

| | |
|-------------------|-----------------------|
| MATERIAL | 75A DURO FLUOROCARBON |
| TEMPERATURE RANGE | -20° TO +400° F |
| SPEED | 3 FT/SEC |

O-RINGS

| Part Number | A Nom. ID | B Nom. OD | Package Quantity | List Price |
|------------------|-----------|-----------|------------------|------------|
| 1mm C/S | | | | |
| MOR-3X1V | 3 | 5 | 20 | \$0.39 |
| MOR-4X1V | 4 | 6 | 10 | 1.29 |
| MOR-6X1V | 6 | 8 | 20 | 0.54 |
| 1.5mm C/S | | | | |
| MOR-5X1.5V | 5 | 8 | 20 | \$0.54 |
| MOR-7X1.5V | 7 | 10 | 15 | 0.70 |
| MOR-11X1.5V | 11 | 14 | 10 | 0.90 |
| MOR-12X1.5V | 12 | 15 | 10 | 0.95 |
| MOR-13X1.5V | 13 | 16 | 10 | 1.07 |
| MOR-16X1.5V | 16 | 19 | 10 | 0.52 |
| MOR-17X1.5V | 17 | 20 | 1 | 1.96 |
| 1.6mm C/S | | | | |
| MOR-3.1X1.6V | 3.1 | 6.3 | 20 | \$0.51 |
| MOR-4.1X1.6V | 4.1 | 7.3 | 20 | 0.52 |
| MOR-7.1X1.6V | 7.1 | 10.3 | 10 | 0.71 |
| MOR-9.1X1.6V | 9.1 | 12.3 | 10 | 0.77 |
| MOR-13.1X1.6V | 13.1 | 16.3 | 10 | 1.08 |
| 1.9mm C/S | | | | |
| MOR-4.8X1.9V | 4.8 | 8.6 | 15 | \$0.59 |
| MOR-5.8X1.9V | 5.8 | 9.6 | 15 | 0.68 |
| MOR-6.8X1.9V | 6.8 | 10.6 | 10 | 0.82 |
| MOR-7.8X1.9V | 7.8 | 11.6 | 10 | 0.87 |
| MOR-8.8X1.9V | 8.8 | 12.6 | 10 | 0.88 |
| MOR-9.8X1.9V | 9.8 | 13.6 | 10 | 1.19 |
| 2mm C/S | | | | |
| MOR-3X2V | 3 | 7 | 10 | \$0.77 |
| MOR-4X2V | 4 | 8 | 10 | 0.78 |
| MOR-5X2V | 5 | 9 | 10 | 0.82 |
| MOR-6X2V | 6 | 10 | 10 | 0.87 |
| MOR-7X2V | 7 | 11 | 10 | 0.95 |
| MOR-8X2V | 8 | 12 | 10 | 0.99 |
| MOR-9X2V | 9 | 13 | 10 | 1.07 |
| MOR-10X2V | 10 | 14 | 10 | 1.12 |
| MOR-11X2V | 11 | 15 | 10 | 1.15 |
| MOR-12X2V | 12 | 16 | 10 | 1.25 |
| MOR-13X2V | 13 | 17 | 10 | 1.35 |
| MOR-14X2V | 14 | 18 | 5 | 1.39 |
| MOR-15X2V | 15 | 19 | 5 | 1.47 |
| MOR-16X2V | 16 | 20 | 5 | 1.50 |
| MOR-17X2V | 17 | 21 | 5 | 1.56 |
| MOR-18X2V | 18 | 22 | 5 | 1.65 |

| Part Number | A Nom. ID | B Nom. OD | Package Quantity | List Price |
|------------------|-----------|-----------|------------------|------------|
| MOR-19X2V | 19 | 23 | 5 | 1.68 |
| MOR-20X2V | 20 | 24 | 5 | 1.74 |
| MOR-22X2V | 22 | 26 | 5 | 1.87 |
| MOR-23.5X2V | 23.5 | 27.5 | 5 | 1.93 |
| MOR-25X2V | 25 | 29 | 5 | 1.97 |
| MOR-26X2V | 26 | 30 | 5 | 2.07 |
| MOR-27X2V | 27 | 31 | 5 | 2.15 |
| MOR-30X2V | 30 | 34 | 5 | 2.86 |
| MOR-32X2V | 32 | 36 | 5 | 2.56 |
| MOR-35X2V | 35 | 39 | 5 | 2.91 |
| MOR-37.5X2V | 37.5 | 41.5 | 5 | 3.00 |
| MOR-39.5X2V | 39.5 | 43.5 | 2 | 3.25 |
| MOR-44X2V | 44 | 48 | 2 | 3.44 |
| MOR-50X2V | 50 | 54 | 2 | 4.02 |
| MOR-55X2V | 55 | 59 | 2 | 4.26 |
| 2.4mm C/S | | | | |
| MOR-7.6X2.4V | 7.6 | 12.4 | 10 | \$1.15 |
| MOR-8.3X2.4V | 8.3 | 13.1 | 10 | 1.18 |
| MOR-8.6X2.4V | 8.6 | 13.4 | 10 | 1.22 |
| MOR-9.8X2.4V | 9.8 | 14.6 | 5 | 1.42 |
| MOR-10.8X2.4V | 10.8 | 15.6 | 5 | 1.49 |
| MOR-11.3X2.4V | 11.3 | 16.1 | 5 | 1.42 |
| MOR-11.8X2.4V | 11.8 | 16.6 | 5 | 1.62 |
| MOR-12.3X2.4V | 12.3 | 17.1 | 5 | 1.52 |
| MOR-13.3X2.4V | 13.3 | 18.1 | 5 | 1.57 |
| MOR-13.8X2.4V | 13.8 | 18.6 | 5 | 1.74 |
| MOR-14.8X2.4V | 14.8 | 19.6 | 5 | 1.84 |
| MOR-15.8X2.4V | 15.8 | 20.6 | 5 | 1.89 |
| MOR-17.3X2.4V | 17.3 | 22.1 | 5 | 1.85 |
| MOR-17.8X2.4V | 17.8 | 22.6 | 5 | 2.06 |
| MOR-19.8X2.4V | 19.8 | 24.6 | 5 | 2.20 |
| MOR-20.8X2.4V | 20.8 | 25.6 | 5 | 2.28 |
| MOR-21.8X2.4V | 21.8 | 26.6 | 5 | 2.41 |
| MOR-39.6X2.4V | 39.6 | 44.4 | 2 | 3.83 |
| 2.5mm C/S | | | | |
| MOR-7X2.5V | 7 | 12 | 10 | \$1.15 |
| MOR-10X2.5V | 10 | 15 | 5 | 1.39 |
| MOR-11X2.5V | 11 | 16 | 5 | 1.48 |
| MOR-12X2.5V | 12 | 17 | 5 | 1.57 |
| MOR-13X2.5V | 13 | 18 | 5 | 1.59 |
| MOR-14X2.5V | 14 | 19 | 5 | 1.68 |
| MOR-15X2.5V | 15 | 20 | 5 | 1.74 |
| MOR-16X2.5V | 16 | 21 | 5 | 1.84 |

NORTH AMERICA
 PHONE 1-800-777-5617
 FAX 1-800-759-6391

SALES OFFICE HOURS
 8 A.M. TO 7:30 P.M. EASTERN TIME
 www.HerculesUS.com

WORLDWIDE
 PHONE 1-727-796-1300
 FAX 1-727-797-8849



O-RINGS - 75 DURO FLUOROCARBON

| Part Number | A Nom. ID | B Nom. OD | Package Quantity | List Price |
|------------------|-----------|-----------|------------------|------------|
| MOR-17X2.5V | 17 | 22 | 4 | 1.87 |
| MOR-18X2.5V | 18 | 23 | 5 | 1.95 |
| MOR-19X2.5V | 19 | 24 | 5 | 1.98 |
| MOR-20X2.5V | 20 | 25 | 5 | 2.03 |
| MOR-22X2.5V | 22 | 27 | 5 | 2.30 |
| MOR-23X2.5V | 23 | 28 | 5 | 2.32 |
| MOR-28X2.5V | 28 | 33 | 5 | 2.67 |
| MOR-35X2.5V | 35 | 40 | 2 | 3.56 |
| MOR-59X2.5V | 59 | 64 | 1 | 5.29 |
| 3mm C/S | | | | |
| MOR-9X3V | 9 | 15 | 5 | \$ 1.68 |
| MOR-10X3V | 10 | 16 | 5 | 1.77 |
| MOR-11X3V | 11 | 17 | 5 | 1.88 |
| MOR-13X3V | 13 | 19 | 5 | 1.98 |
| MOR-15X3V | 15 | 21 | 5 | 2.06 |
| MOR-16X3V | 16 | 22 | 5 | 2.06 |
| MOR-17X3V | 17 | 23 | 5 | 2.12 |
| MOR-19X3V | 19 | 25 | 5 | 2.30 |
| MOR-20X3V | 20 | 26 | 5 | 2.36 |
| MOR-22X3V | 22 | 28 | 5 | 2.57 |
| MOR-25X3V | 25 | 31 | 5 | 2.84 |
| MOR-26X3V | 26 | 32 | 5 | 2.91 |
| MOR-27X3V | 27 | 33 | 5 | 3.03 |
| MOR-28X3V | 28 | 34 | 2 | 3.19 |
| MOR-29X3V | 29 | 35 | 2 | 3.26 |
| MOR-30X3V | 30 | 36 | 2 | 3.27 |
| MOR-32X3V | 32 | 38 | 2 | 3.56 |
| MOR-33X3V | 33 | 39 | 2 | 3.66 |
| MOR-34X3V | 34 | 40 | 2 | 3.82 |
| MOR-35X3V | 35 | 41 | 2 | 4.03 |
| MOR-36X3V | 36 | 42 | 2 | 4.11 |
| MOR-38X3V | 38 | 44 | 2 | 4.34 |
| MOR-39X3V | 39 | 45 | 2 | 4.40 |
| MOR-42.2X3V | 42.2 | 48.2 | 2 | 4.77 |
| MOR-46X3V | 46 | 52 | 1 | 5.13 |
| MOR-48X3V | 48 | 54 | 2 | 5.13 |
| MOR-49.5X3V | 49.5 | 55.5 | 2 | 5.29 |
| MOR-52X3V | 52 | 58 | 2 | 5.50 |
| MOR-57X3V | 57 | 63 | 1 | 5.75 |
| MOR-60X3V | 60 | 66 | 1 | 6.09 |
| MOR-62X3V | 62 | 68 | 1 | 6.27 |
| MOR-64X3V | 64 | 70 | 1 | 6.41 |
| MOR-65X3V | 65 | 71 | 1 | 6.50 |
| MOR-68X3V | 68 | 74 | 1 | 6.80 |
| MOR-72X3V | 72 | 78 | 1 | 7.50 |
| MOR-74X3V | 74 | 80 | 1 | 7.66 |
| MOR-78X3V | 78 | 84 | 1 | 8.23 |
| MOR-95X3V | 95 | 101 | 1 | 10.84 |
| 3.1mm C/S | | | | |
| MOR-24.4X3.1V | 24.4 | 30.6 | 2 | \$3.74 |
| MOR-29.4X3.1V | 29.4 | 35.6 | 2 | 4.41 |
| MOR-39.4X3.1V | 39.4 | 45.6 | 2 | 5.67 |
| MOR-44.4X3.1V | 44.4 | 50.6 | 1 | 6.64 |
| MOR-49.4X3.1V | 49.4 | 55.6 | 1 | 6.99 |
| MOR-54.4X3.1V | 54.4 | 60.6 | 1 | 8.01 |
| MOR-59.4X3.1V | 59.4 | 65.6 | 1 | 8.20 |
| MOR-64.4X3.1V | 64.4 | 70.6 | 1 | 9.54 |

| Part Number | A Nom. ID | B Nom. OD | Package Quantity | List Price |
|------------------|-----------|-----------|------------------|------------|
| MOR-69.4X3.1V | 69.4 | 75.6 | 1 | 9.54 |
| MOR-74.4X3.1V | 74.4 | 80.6 | 1 | 10.17 |
| MOR-79.4X3.1V | 79.4 | 85.6 | 1 | 10.83 |
| MOR-84.4X3.1V | 84.4 | 90.6 | 1 | 11.54 |
| MOR-89.4X3.1V | 89.4 | 95.6 | 1 | 12.12 |
| MOR-94.4X3.1V | 94.4 | 100.6 | 1 | 12.77 |
| MOR-99.4X3.1V | 99.4 | 105.6 | 1 | 13.42 |
| MOR-104.4X3.1V | 104.4 | 110.6 | 1 | 14.09 |
| MOR-109.4X3.1V | 109.4 | 115.6 | 1 | 32.72 |
| MOR-114.4X3.1V | 114.4 | 120.6 | 1 | 15.39 |
| MOR-119.4X3.1V | 119.4 | 125.6 | 1 | 16.03 |
| MOR-124.4X3.1V | 124.4 | 130.6 | 1 | 16.65 |
| 3.5mm C/S | | | | |
| MOR-22X3.5V | 22 | 29 | 1 | \$6.53 |
| 4mm C/S | | | | |
| MOR-38X4V | 38 | 46 | 1 | \$6.16 |
| MOR-41X4V | 41 | 49 | 2 | 6.59 |
| MOR-44X4V | 44 | 52 | 1 | 7.03 |
| MOR-48X4V | 48 | 56 | 1 | 7.64 |
| MOR-72X4V | 72 | 80 | 1 | 11.54 |
| MOR-124X4V | 124 | 132 | 1 | 23.45 |
| 5.7mm C/S | | | | |
| MOR-52.6X5.7V | 52.6 | 64 | 1 | \$ 14.13 |
| MOR-59.6X5.7V | 59.6 | 71 | 1 | 18.18 |
| MOR-69.6X5.7V | 69.6 | 81 | 1 | 18.68 |
| MOR-79.6X5.7V | 79.6 | 91 | 1 | 20.91 |
| MOR-84.6X5.7V | 84.6 | 96 | 1 | 22.08 |
| MOR-99.6X5.7V | 99.6 | 111 | 1 | 24.92 |
| MOR-114.6X5.7V | 114.6 | 126 | 1 | 30.04 |
| MOR-119.6X5.7V | 119.6 | 131 | 1 | 29.50 |
| MOR-129.6X5.7V | 129.6 | 141 | 1 | 33.43 |
| MOR-139.6X5.7V | 139.6 | 151 | 1 | 35.84 |
| MOR-189.3X5.7V | 189.3 | 200.7 | 1 | 55.40 |

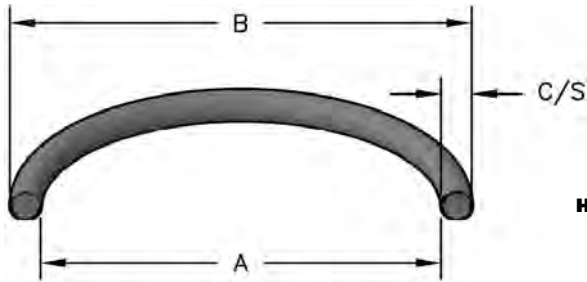
O-RINGS

Seal color may vary. Special order sizes are available. Sizes not shown and out of stock items can also be ordered for next day delivery through Seals On Demand, our custom seal program. Please call your regional sales team for assistance.

**FORMERLY LISTED SEALS ARE AVAILABLE ONLINE AT WWW.HERCULESUS.COM
OR BY CONTACTING YOUR REGIONAL HERCULES SALES TEAM.**



O-RINGS - 70 DUROMETER MOR-JIS STYLE



HERCULES PART NUMBERS

MOR-JIS - G025
 Type of Seal JIS Standard Number

SEAL INFORMATION

| | |
|-------------------|------------------|
| MATERIAL | 70A DURO NITRILE |
| TEMPERATURE RANGE | -40° TO +220° F |
| SPEED | 3 FT/SEC |

O-RINGS

| Part Number | A Nom. ID | B Nom. OD | Package Quantity | List Price |
|------------------|-----------|-----------|------------------|------------|
| 1.9mm C/S | | | | |
| MOR-JIS-P003 | 2.8 | 6.6 | 100 | \$0.09 |
| MOR-JIS-P004 | 3.8 | 7.6 | 100 | 0.09 |
| MOR-JIS-P005 | 4.8 | 8.6 | 100 | 0.09 |
| MOR-JIS-P006 | 5.8 | 9.6 | 100 | 0.09 |
| MOR-JIS-P007 | 6.8 | 10.6 | 100 | 0.11 |
| MOR-JIS-P008 | 7.8 | 11.6 | 100 | 0.11 |
| MOR-JIS-P009 | 8.8 | 12.6 | 100 | 0.11 |
| MOR-JIS-P010 | 9.8 | 13.6 | 100 | 0.11 |
| 2.4mm C/S | | | | |
| MOR-JIS-P010A | 9.8 | 14.6 | 100 | \$0.06 |
| MOR-JIS-P011 | 10.8 | 15.6 | 100 | 0.09 |
| MOR-JIS-P011.2 | 11 | 15.8 | 100 | 0.09 |
| MOR-JIS-P012 | 11.8 | 16.6 | 100 | 0.55 |
| MOR-JIS-P012.5 | 12.3 | 17.1 | 20 | 0.57 |
| MOR-JIS-P014 | 13.8 | 18.6 | 100 | 0.11 |
| MOR-JIS-P015 | 14.8 | 19.6 | 100 | 0.77 |
| MOR-JIS-P016 | 15.8 | 20.6 | 100 | 0.11 |
| MOR-JIS-P018 | 17.8 | 22.6 | 100 | 0.11 |
| MOR-JIS-P020 | 19.8 | 24.6 | 100 | 0.96 |
| MOR-JIS-P021 | 20.8 | 25.6 | 100 | 0.12 |
| MOR-JIS-P022 | 21.8 | 26.6 | 100 | 0.13 |
| 3.1mm C/S | | | | |
| MOR-JIS-G025 | 24.4 | 30.6 | 25 | \$0.36 |
| MOR-JIS-G030 | 29.4 | 35.6 | 20 | 0.48 |
| MOR-JIS-G035 | 34.4 | 40.6 | 20 | 0.63 |
| MOR-JIS-G040 | 39.4 | 45.6 | 20 | 0.67 |
| MOR-JIS-G045 | 44.4 | 50.6 | 10 | 2.38 |
| MOR-JIS-G050 | 49.4 | 55.6 | 10 | 3.20 |
| MOR-JIS-G055 | 54.4 | 60.6 | 10 | 1.01 |
| MOR-JIS-G060 | 59.4 | 65.6 | 10 | 1.15 |
| MOR-JIS-G065 | 64.4 | 70.6 | 10 | 1.22 |
| MOR-JIS-G070 | 69.4 | 75.6 | 10 | 1.47 |
| MOR-JIS-G075 | 74.4 | 80.6 | 5 | 1.76 |
| MOR-JIS-G080 | 79.4 | 85.6 | 5 | 1.78 |
| MOR-JIS-G085 | 84.4 | 90.6 | 5 | 6.32 |
| MOR-JIS-G090 | 89.4 | 95.6 | 5 | 1.83 |
| MOR-JIS-G095 | 94.4 | 100.6 | 5 | 7.43 |
| MOR-JIS-G100 | 99.4 | 105.6 | 5 | 2.06 |
| MOR-JIS-G105 | 104.4 | 110.6 | 5 | 2.09 |
| MOR-JIS-G110 | 109.4 | 115.6 | 5 | 8.93 |
| MOR-JIS-G115 | 114.4 | 120.6 | 5 | 2.71 |
| MOR-JIS-G120 | 119.4 | 125.6 | 5 | 2.83 |

| Part Number | A Nom. ID | B Nom. OD | Package Quantity | List Price |
|------------------|-----------|-----------|------------------|------------|
| MOR-JIS-G125 | 124.4 | 130.6 | 5 | 9.68 |
| MOR-JIS-G130 | 129.4 | 135.6 | 5 | 2.90 |
| MOR-JIS-G135 | 134.4 | 140.6 | 2 | 10.74 |
| MOR-JIS-G140 | 139.4 | 145.6 | 2 | 11.10 |
| MOR-JIS-G145 | 144.4 | 150.6 | 2 | 3.49 |
| 3.5mm C/S | | | | |
| MOR-JIS-P022A | 21.7 | 28.7 | 25 | \$0.34 |
| MOR-JIS-P022.4 | 22.1 | 29.1 | 25 | 1.17 |
| MOR-JIS-P024 | 23.7 | 30.7 | 25 | 1.24 |
| MOR-JIS-P025 | 24.7 | 31.7 | 25 | 0.36 |
| MOR-JIS-P025.5 | 25.2 | 32.2 | 25 | 1.36 |
| MOR-JIS-P026 | 25.7 | 32.7 | 25 | 0.46 |
| MOR-JIS-P028 | 27.7 | 34.7 | 20 | 0.48 |
| MOR-JIS-P029 | 28.7 | 35.7 | 20 | 0.48 |
| MOR-JIS-P029.5 | 29.2 | 36.2 | 20 | 1.55 |
| MOR-JIS-P030 | 29.7 | 36.7 | 20 | 0.48 |
| MOR-JIS-P031 | 30.7 | 37.7 | 20 | 0.49 |
| MOR-JIS-P031.5 | 31.2 | 38.2 | 20 | 0.49 |
| MOR-JIS-P032 | 31.7 | 38.7 | 20 | 0.49 |
| MOR-JIS-P034 | 33.7 | 40.7 | 20 | 0.60 |
| MOR-JIS-P035 | 34.7 | 41.7 | 20 | 2.09 |
| MOR-JIS-P035.5 | 35.2 | 42.2 | 20 | 2.19 |
| MOR-JIS-P036 | 35.7 | 42.7 | 20 | 2.38 |
| MOR-JIS-P038 | 37.7 | 44.7 | 20 | 0.64 |
| MOR-JIS-P039 | 38.7 | 45.7 | 20 | 0.64 |
| MOR-JIS-P040 | 39.7 | 46.7 | 20 | 2.79 |
| MOR-JIS-P041 | 40.7 | 47.7 | 20 | 2.79 |
| MOR-JIS-P042 | 41.7 | 48.7 | 20 | 0.67 |
| MOR-JIS-P044 | 43.7 | 50.7 | 10 | 0.87 |
| MOR-JIS-P045 | 44.7 | 51.7 | 10 | 0.88 |
| MOR-JIS-P046 | 45.7 | 52.7 | 10 | 0.88 |
| MOR-JIS-P048 | 47.7 | 54.7 | 10 | 0.90 |
| MOR-JIS-P049 | 48.7 | 55.7 | 10 | 0.90 |
| MOR-JIS-P050 | 49.7 | 56.7 | 10 | 0.93 |
| 4mm C/S | | | | |
| MOR-JIS-V015 | 14.5 | 22.5 | 6 | \$1.77 |
| MOR-JIS-V024 | 23.5 | 31.5 | 25 | 0.34 |
| MOR-JIS-V085 | 84 | 92 | 5 | 1.79 |
| MOR-JIS-V120 | 119 | 127 | 5 | 2.40 |
| 5.7mm C/S | | | | |
| MOR-JIS-P048A | 47.6 | 59 | 5 | \$2.30 |
| MOR-JIS-P050A | 49.6 | 61 | 5 | 2.36 |
| MOR-JIS-P053 | 52.6 | 64 | 5 | 2.43 |

NORTH AMERICA
 PHONE 1-800-777-5617
 FAX 1-800-759-6391

SALES OFFICE HOURS
 8 A.M. TO 7:30 P.M. EASTERN TIME
www.HerculesUS.com

WORLDWIDE
 PHONE 1-727-796-1300
 FAX 1-727-797-8849



O-RINGS - 70 DUROMETER MOR-JIS STYLE

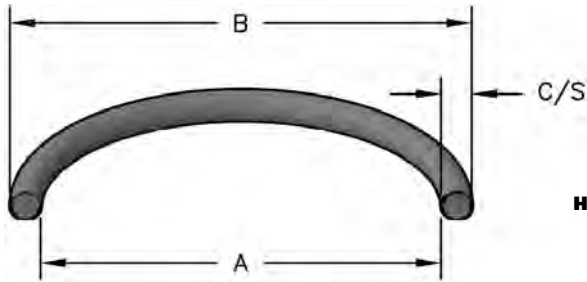
| Part Number | A Nom. ID | B Nom. OD | Package Quantity | List Price |
|------------------|-----------|-----------|------------------|------------|
| MOR-JIS-P055 | 54.6 | 66 | 5 | 2.49 |
| MOR-JIS-P056 | 55.6 | 67 | 5 | 2.57 |
| MOR-JIS-P058 | 57.6 | 69 | 5 | 3.35 |
| MOR-JIS-P060 | 59.6 | 71 | 2 | 3.38 |
| MOR-JIS-P062 | 61.6 | 73 | 2 | 4.16 |
| MOR-JIS-P065 | 64.6 | 76 | 2 | 4.31 |
| MOR-JIS-P067 | 66.6 | 78 | 2 | 4.37 |
| MOR-JIS-P070 | 69.6 | 81 | 2 | 4.32 |
| MOR-JIS-P071 | 70.6 | 82 | 2 | 4.43 |
| MOR-JIS-P075 | 74.6 | 86 | 2 | 4.62 |
| MOR-JIS-P080 | 79.6 | 91 | 2 | 4.72 |
| MOR-JIS-P085 | 84.6 | 96 | 2 | 4.90 |
| MOR-JIS-P090 | 89.6 | 101 | 2 | 5.00 |
| MOR-JIS-P095 | 94.6 | 106 | 2 | 5.18 |
| MOR-JIS-P100 | 99.6 | 111 | 2 | 5.28 |
| MOR-JIS-P105 | 104.6 | 116 | 2 | 6.74 |
| MOR-JIS-P110 | 109.6 | 121 | 2 | 6.86 |
| MOR-JIS-P112 | 111.6 | 123 | 2 | 6.91 |
| MOR-JIS-P115 | 114.6 | 126 | 2 | 6.98 |
| MOR-JIS-P120 | 119.6 | 131 | 2 | 7.11 |
| MOR-JIS-P125 | 124.6 | 136 | 2 | 7.22 |
| MOR-JIS-P130 | 129.6 | 141 | 2 | 7.27 |
| MOR-JIS-P135 | 134.6 | 146 | 2 | 7.39 |
| MOR-JIS-P140 | 139.6 | 151 | 2 | 7.49 |
| MOR-JIS-P145 | 144.6 | 156 | 2 | 7.62 |
| MOR-JIS-G150 | 149.3 | 160.7 | 2 | 5.68 |
| MOR-JIS-P150 | 149.6 | 161 | 2 | 9.07 |
| MOR-JIS-G155 | 154.3 | 165.7 | 2 | 5.75 |
| MOR-JIS-G160 | 159.3 | 170.7 | 2 | 5.72 |
| MOR-JIS-G165 | 164.3 | 175.7 | 2 | 5.78 |
| MOR-JIS-G170 | 169.3 | 180.7 | 2 | 5.89 |
| MOR-JIS-G175 | 174.3 | 185.7 | 2 | 7.93 |
| MOR-JIS-G180 | 179.3 | 190.7 | 2 | 14.89 |
| MOR-JIS-G185 | 184.3 | 195.7 | 2 | 8.10 |
| MOR-JIS-G190 | 189.3 | 200.7 | 2 | 8.17 |
| MOR-JIS-G195 | 194.3 | 205.7 | 2 | 8.26 |
| MOR-JIS-G200 | 199.3 | 210.7 | 2 | 9.64 |
| MOR-JIS-G210 | 209.3 | 220.7 | 2 | 9.81 |
| MOR-JIS-G215 | 214.3 | 225.7 | 2 | 9.83 |
| MOR-JIS-G220 | 219.3 | 230.7 | 2 | 10.01 |
| MOR-JIS-G225 | 224.3 | 235.7 | 1 | 10.16 |
| MOR-JIS-G230 | 229.3 | 240.7 | 1 | 10.16 |
| MOR-JIS-G235 | 234.3 | 245.7 | 1 | 10.90 |
| MOR-JIS-G240 | 239.3 | 250.7 | 1 | 11.10 |
| MOR-JIS-G250 | 249.3 | 260.7 | 1 | 11.70 |
| MOR-JIS-G260 | 259.3 | 270.7 | 1 | 12.83 |
| MOR-JIS-G270 | 269.3 | 280.7 | 1 | 12.94 |
| MOR-JIS-G290 | 289.3 | 300.7 | 1 | 14.45 |
| MOR-JIS-G300 | 299.3 | 310.7 | 1 | 14.54 |
| MOR-JIS-G310 | 309.3 | 320.7 | 1 | 17.03 |
| MOR-JIS-G345 | 344.3 | 355.7 | 1 | 18.64 |
| MOR-JIS-G360 | 359.3 | 370.7 | 1 | 19.75 |
| MOR-JIS-G400 | 399.3 | 410.7 | 1 | 26.04 |
| 8.4mm C/S | | | | |
| MOR-JIS-P150A | 149.5 | 166.3 | 1 | \$23.30 |
| MOR-JIS-P155 | 154.5 | 171.3 | 1 | 13.10 |
| MOR-JIS-P160 | 159.5 | 176.3 | 1 | 24.77 |

| Part Number | A Nom. ID | B Nom. OD | Package Quantity | List Price |
|--------------|-----------|-----------|------------------|------------|
| MOR-JIS-P165 | 164.5 | 181.3 | 1 | 13.29 |
| MOR-JIS-P170 | 169.5 | 186.3 | 1 | 13.29 |
| MOR-JIS-P175 | 174.5 | 191.3 | 1 | 27.23 |
| MOR-JIS-P180 | 179.5 | 196.3 | 1 | 14.01 |
| MOR-JIS-P185 | 184.5 | 201.3 | 1 | 14.18 |
| MOR-JIS-P200 | 199.5 | 216.3 | 1 | 14.76 |
| MOR-JIS-P205 | 204.5 | 221.3 | 1 | 14.96 |
| MOR-JIS-P210 | 209.5 | 226.3 | 1 | 18.13 |
| MOR-JIS-P220 | 219.5 | 236.3 | 1 | 16.56 |
| MOR-JIS-P230 | 229.5 | 246.3 | 1 | 37.16 |
| MOR-JIS-P235 | 234.5 | 251.3 | 1 | 27.84 |
| MOR-JIS-P240 | 239.5 | 256.3 | 1 | 28.00 |
| MOR-JIS-P250 | 249.5 | 266.3 | 1 | 28.37 |
| MOR-JIS-P280 | 279.5 | 296.3 | 1 | 29.48 |
| MOR-JIS-P285 | 284.5 | 301.3 | 1 | 29.65 |
| MOR-JIS-P300 | 299.5 | 316.3 | 1 | 57.78 |
| MOR-JIS-P315 | 314.5 | 331.3 | 1 | 36.94 |
| MOR-JIS-P320 | 319.5 | 336.3 | 1 | 66.12 |
| MOR-JIS-P335 | 334.5 | 351.3 | 1 | 55.01 |
| MOR-JIS-P355 | 354.5 | 371.3 | 1 | 52.93 |
| MOR-JIS-P360 | 359.5 | 376.3 | 1 | 57.78 |
| MOR-JIS-P385 | 384.5 | 401.3 | 1 | 63.00 |

O-RINGS



O-RINGS - 75 DURO FLUOROCARBON MOR-JIS STYLE



HERCULES PART NUMBERS

MOR-JIS - G025V
 Type of Seal JIS Standard Number

SEAL INFORMATION

| | |
|-------------------|-----------------------|
| MATERIAL | 75A DURO FLUOROCARBON |
| TEMPERATURE RANGE | -20° TO +400° F |
| PRESSURE RANGE | 3 FT/SEC |

O-RINGS

| Part Number | A Nom. ID | B Nom. OD | Package Quantity | List Price |
|------------------|--------------|--------------|---------------------|---------------|
| 1.9mm C/S | | | | |
| MOR-JIS-P005V | 4.8 | 8.6 | 15 | \$0.59 |
| MOR-JIS-P006V | 5.8 | 9.6 | 15 | 0.68 |
| MOR-JIS-P007V | 6.8 | 10.6 | 10 | 0.82 |
| MOR-JIS-P008V | 7.8 | 11.6 | 10 | 0.87 |
| MOR-JIS-P009V | 8.8 | 12.6 | 10 | 0.88 |
| MOR-JIS-P010V | 9.8 | 13.6 | 10 | 1.19 |
| 2.4mm C/S | | | | |
| MOR-JIS-P011V | 10.8 | 15.6 | 5 | \$1.49 |
| MOR-JIS-P012V | 11.8 | 16.6 | 5 | 1.62 |
| MOR-JIS-P012.5V | 12.3 | 17.1 | 5 | 1.52 |
| MOR-JIS-P014V | 13.8 | 18.6 | 5 | 1.74 |
| MOR-JIS-P015V | 14.8 | 19.6 | 5 | 1.84 |
| MOR-JIS-P016V | 15.8 | 20.6 | 5 | 1.89 |
| MOR-JIS-P018V | 17.8 | 22.6 | 5 | 2.06 |
| MOR-JIS-P020V | 19.8 | 24.6 | 5 | 2.20 |
| MOR-JIS-P021V | 20.8 | 25.6 | 5 | 2.28 |
| MOR-JIS-P022V | 21.8 | 26.6 | 5 | 2.41 |
| 3.1mm C/S | | | | |
| MOR-JIS-G025V | 24.4 | 30.6 | 2 | \$3.74 |
| MOR-JIS-G030V | 29.4 | 35.6 | 2 | 4.41 |
| MOR-JIS-G040V | 39.4 | 45.6 | 2 | 5.67 |
| MOR-JIS-G045V | 44.4 | 50.6 | 1 | 6.64 |
| MOR-JIS-G050V | 49.4 | 55.6 | 1 | 6.99 |
| MOR-JIS-G060V | 59.4 | 65.6 | 1 | 8.20 |
| MOR-JIS-G065V | 64.4 | 70.6 | 1 | 9.54 |
| MOR-JIS-G070V | 69.4 | 75.6 | 1 | 9.54 |
| MOR-JIS-G075V | 74.4 | 80.6 | 1 | 10.17 |
| MOR-JIS-G080V | 79.4 | 85.6 | 1 | 10.83 |
| MOR-JIS-G085V | 84.4 | 90.6 | 1 | 11.54 |
| MOR-JIS-G090V | 89.4 | 95.6 | 1 | 12.12 |
| MOR-JIS-G095V | 94.4 | 100.6 | 1 | 12.77 |
| MOR-JIS-G100V | 99.4 | 105.6 | 1 | 13.42 |
| MOR-JIS-G105V | 104.4 | 110.6 | 1 | 14.09 |
| MOR-JIS-G110V | 109.4 | 115.6 | 1 | 32.72 |
| MOR-JIS-G115V | 114.4 | 120.6 | 1 | 15.39 |
| MOR-JIS-G120V | 119.4 | 125.6 | 1 | 16.03 |
| MOR-JIS-G125V | 124.4 | 130.6 | 1 | 16.65 |
| MOR-JIS-G145V | 144.4 | 150.6 | 1 | 18.88 |
| 3.5mm C/S | | | | |
| MOR-JIS-P029V | 28.7 | 35.7 | 1 | \$9.34 |
| 5.7mm C/S | | | | |

| Part Number | A Nom. ID | B Nom. OD | Package Quantity | List Price |
|---------------|--------------|--------------|---------------------|---------------|
| MOR-JIS-P053V | 52.6 | 64 | 1 | \$14.13 |
| MOR-JIS-P055V | 54.6 | 66 | 1 | 14.17 |
| MOR-JIS-P060V | 59.6 | 71 | 1 | 18.18 |
| MOR-JIS-P065V | 64.6 | 76 | 1 | 18.35 |
| MOR-JIS-P080V | 79.6 | 91 | 1 | 20.91 |
| MOR-JIS-P090V | 89.6 | 101 | 1 | 22.88 |
| MOR-JIS-P100V | 99.6 | 111 | 1 | 24.92 |
| MOR-JIS-P130V | 129.6 | 141 | 1 | 33.43 |
| MOR-JIS-P135V | 134.6 | 146 | 1 | 34.13 |
| MOR-JIS-P140V | 139.6 | 151 | 1 | 35.84 |
| MOR-JIS-G190V | 189.3 | 200.7 | 1 | 55.40 |

Seal color may vary. Special order sizes are available. Sizes not shown and out of stock items can also be ordered for next day delivery through Seals On Demand, our custom seal program. Please call your regional sales team for assistance.

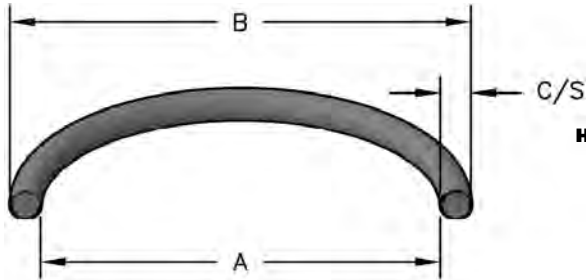
NORTH AMERICA
 PHONE 1-800-777-5617
 FAX 1-800-759-6391

SALES OFFICE HOURS
 8 A.M. TO 7:30 P.M. EASTERN TIME
www.HerculesUS.com

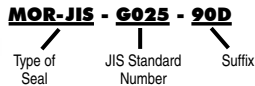
WORLDWIDE
 PHONE 1-727-796-1300
 FAX 1-727-797-8849

O-RINGS - 90 DURO NITRILE MOR-JIS STYLE

Please specify 70 or 90 Durometer when ordering. Metric o-rings are offered in minimum package quantities (MP in chart).



HERCULES PART NUMBERS



| SEAL INFORMATION | |
|-------------------|-----------------------|
| MATERIAL | 75A DURO FLUOROCARBON |
| TEMPERATURE RANGE | -20° TO +400° F |
| PRESSURE RANGE | 3 FT/SEC |

| Part Number | A Nom. ID | B Nom. OD | Package Quantity | List Price |
|--------------------|-----------|-----------|------------------|------------|
| 1.9mm C/S | | | | |
| MOR-JIS-P003-90D | 2.8 | 6.6 | 100 | \$0.08 |
| MOR-JIS-P004-90D | 3.8 | 7.6 | 100 | 0.08 |
| MOR-JIS-P005-90D | 4.8 | 8.6 | 100 | 0.11 |
| MOR-JIS-P006-90D | 5.8 | 9.6 | 100 | 0.11 |
| MOR-JIS-P007-90D | 6.8 | 10.6 | 50 | 0.23 |
| MOR-JIS-P008-90D | 7.8 | 11.6 | 50 | 0.25 |
| MOR-JIS-P009-90D | 8.8 | 12.6 | 50 | 0.25 |
| MOR-JIS-P010-90D | 9.8 | 13.6 | 50 | 0.26 |
| 2.4mm C/S | | | | |
| MOR-JIS-P010A-90D | 9.8 | 14.6 | 25 | \$0.40 |
| MOR-JIS-P011-90D | 10.8 | 15.6 | 25 | 0.41 |
| MOR-JIS-P011.2-90D | 11 | 15.8 | 25 | 0.41 |
| MOR-JIS-P012-90D | 11.8 | 16.6 | 25 | 0.41 |
| MOR-JIS-P012.5-90D | 12.3 | 17.1 | 20 | 0.55 |
| MOR-JIS-P014-90D | 13.8 | 18.6 | 20 | 0.57 |
| MOR-JIS-P015-90D | 14.8 | 19.6 | 20 | 0.56 |
| MOR-JIS-P016-90D | 15.8 | 20.6 | 20 | 0.56 |
| MOR-JIS-P018-90D | 17.8 | 22.6 | 20 | 0.57 |
| MOR-JIS-P020-90D | 19.8 | 24.6 | 20 | 0.75 |
| MOR-JIS-P021-90D | 20.8 | 25.6 | 20 | 0.75 |
| MOR-JIS-P022-90D | 21.8 | 26.6 | 20 | 0.77 |
| 3.1mm C/S | | | | |
| MOR-JIS-G025-90D | 24.4 | 30.6 | 25 | \$0.40 |
| MOR-JIS-G030-90D | 29.4 | 35.6 | 20 | 0.54 |
| MOR-JIS-G035-90D | 34.4 | 40.6 | 20 | 0.66 |
| MOR-JIS-G040-90D | 39.4 | 45.6 | 20 | 0.72 |
| MOR-JIS-G045-90D | 44.4 | 50.6 | 10 | 1.45 |
| MOR-JIS-G050-90D | 49.4 | 55.6 | 10 | 1.53 |
| MOR-JIS-G055-90D | 54.4 | 60.6 | 10 | 1.59 |
| MOR-JIS-G060-90D | 59.4 | 65.6 | 5 | 1.83 |
| MOR-JIS-G065-90D | 64.4 | 70.6 | 5 | 1.82 |
| MOR-JIS-G070-90D | 69.4 | 75.6 | 5 | 1.84 |
| MOR-JIS-G075-90D | 74.4 | 80.6 | 5 | 7.09 |
| MOR-JIS-G080-90D | 79.4 | 85.6 | 5 | 2.23 |
| MOR-JIS-G085-90D | 84.4 | 90.6 | 5 | 2.30 |
| MOR-JIS-G090-90D | 89.4 | 95.6 | 5 | 2.32 |
| MOR-JIS-G095-90D | 94.4 | 100.6 | 5 | 2.38 |
| MOR-JIS-G100-90D | 99.4 | 105.6 | 5 | 2.59 |
| MOR-JIS-G105-90D | 104.4 | 110.6 | 5 | 2.65 |
| MOR-JIS-G110-90D | 109.4 | 115.6 | 5 | 2.69 |
| MOR-JIS-G115-90D | 114.4 | 120.6 | 5 | 2.73 |
| MOR-JIS-G120-90D | 119.4 | 125.6 | 5 | 2.96 |

| Part Number | A Nom. ID | B Nom. OD | Package Quantity | List Price |
|--------------------|-----------|-----------|------------------|------------|
| MOR-JIS-G125-90D | 124.4 | 130.6 | 5 | 3.01 |
| MOR-JIS-G130-90D | 129.4 | 135.6 | 5 | 3.03 |
| MOR-JIS-G135-90D | 134.4 | 140.6 | 2 | 3.55 |
| MOR-JIS-G140-90D | 139.4 | 145.6 | 2 | 6.34 |
| MOR-JIS-G145-90D | 144.4 | 150.6 | 2 | 3.64 |
| 3.5mm C/S | | | | |
| MOR-JIS-P022A-90D | 21.7 | 28.7 | 20 | \$0.46 |
| MOR-JIS-P022.4-90D | 22.1 | 29.1 | 20 | 0.56 |
| MOR-JIS-P024-90D | 23.7 | 30.7 | 20 | 0.72 |
| MOR-JIS-P025-90D | 24.7 | 31.7 | 20 | 0.72 |
| MOR-JIS-P025.5-90D | 25.2 | 32.2 | 20 | 0.56 |
| MOR-JIS-P026-90D | 25.7 | 32.7 | 10 | 0.94 |
| MOR-JIS-P028-90D | 27.7 | 34.7 | 10 | 1.00 |
| MOR-JIS-P029-90D | 28.7 | 35.7 | 10 | 1.19 |
| MOR-JIS-P029.5-90D | 29.2 | 36.2 | 20 | 0.61 |
| MOR-JIS-P030-90D | 29.7 | 36.7 | 10 | 1.20 |
| MOR-JIS-P031-90D | 30.7 | 37.7 | 10 | 1.24 |
| MOR-JIS-P031.5-90D | 31.2 | 38.2 | 20 | 0.63 |
| MOR-JIS-P032-90D | 31.7 | 38.7 | 10 | 1.26 |
| MOR-JIS-P034-90D | 33.7 | 40.7 | 10 | 1.32 |
| MOR-JIS-P035-90D | 34.7 | 41.7 | 10 | 1.32 |
| MOR-JIS-P035.5-90D | 35.2 | 42.2 | 20 | 0.79 |
| MOR-JIS-P036-90D | 35.7 | 42.7 | 10 | 1.34 |
| MOR-JIS-P038-90D | 37.7 | 44.7 | 10 | 1.41 |
| MOR-JIS-P039-90D | 38.7 | 45.7 | 10 | 1.42 |
| MOR-JIS-P040-90D | 39.7 | 46.7 | 10 | 1.43 |
| MOR-JIS-P041-90D | 40.7 | 47.7 | 10 | 1.45 |
| MOR-JIS-P042-90D | 41.7 | 48.7 | 10 | 1.50 |
| MOR-JIS-P044-90D | 43.7 | 50.7 | 5 | 1.62 |
| MOR-JIS-P045-90D | 44.7 | 51.7 | 5 | 1.62 |
| MOR-JIS-P046-90D | 45.7 | 52.7 | 5 | 1.65 |
| MOR-JIS-P048-90D | 47.7 | 54.7 | 5 | 2.10 |
| MOR-JIS-P049-90D | 48.7 | 55.7 | 5 | 2.16 |
| MOR-JIS-P050-90D | 49.7 | 56.7 | 5 | 2.17 |
| 4mm C/S | | | | |
| MOR-JIS-V015-90D | 14.5 | 22.5 | 2 | \$2.58 |
| MOR-JIS-V024-90D | 23.5 | 31.5 | 2 | 2.79 |
| 5.7mm C/S | | | | |
| MOR-JIS-P048A-90D | 47.6 | 59 | 5 | \$2.31 |
| MOR-JIS-P050A-90D | 49.6 | 61 | 5 | 2.38 |
| MOR-JIS-P052-90D | 51.6 | 63 | 5 | 8.26 |
| MOR-JIS-P053-90D | 52.6 | 64 | 5 | 2.48 |
| MOR-JIS-P055-90D | 54.6 | 66 | 5 | 2.54 |

O-RINGS



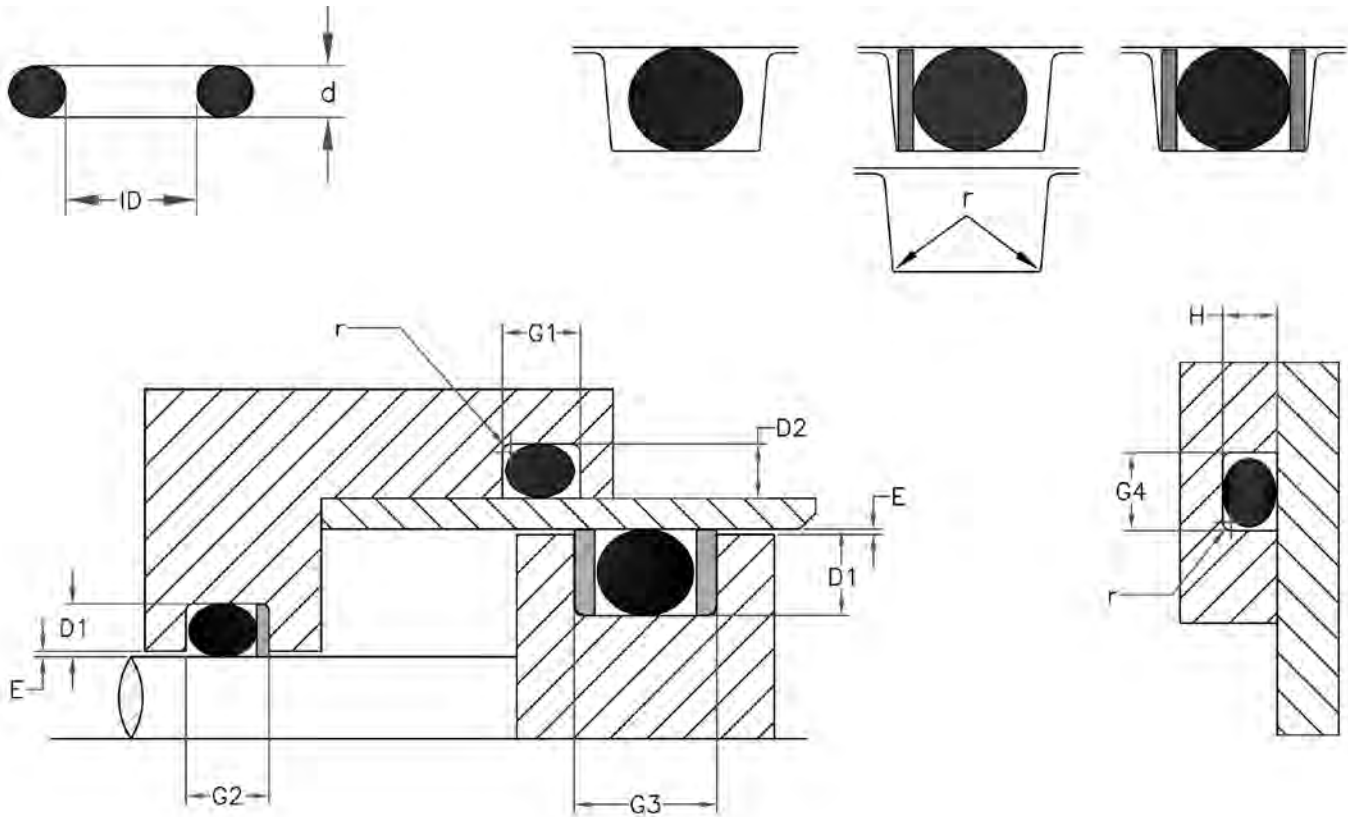
O-RINGS - 90 DURO NITRILE MOR-JIS STYLE

O-RINGS

| Part Number | A Nom. ID | B Nom. OD | Package Quantity | List Price |
|-------------------|-----------|-----------|------------------|------------|
| MOR-JIS-P056-90D | 55.6 | 67 | 5 | 2.55 |
| MOR-JIS-P058-90D | 57.6 | 69 | 2 | 3.37 |
| MOR-JIS-P060-90D | 59.6 | 71 | 2 | 3.39 |
| MOR-JIS-P063-90D | 62.6 | 74 | 2 | 4.74 |
| MOR-JIS-P065-90D | 64.6 | 76 | 2 | 4.28 |
| MOR-JIS-P067-90D | 66.6 | 78 | 2 | 4.34 |
| MOR-JIS-P070-90D | 69.6 | 81 | 2 | 4.46 |
| MOR-JIS-P071-90D | 70.6 | 82 | 2 | 4.49 |
| MOR-JIS-P075-90D | 74.6 | 86 | 2 | 4.61 |
| MOR-JIS-P080-90D | 79.6 | 91 | 2 | 4.78 |
| MOR-JIS-P085-90D | 84.6 | 96 | 2 | 4.89 |
| MOR-JIS-P090-90D | 89.6 | 101 | 2 | 5.55 |
| MOR-JIS-P095-90D | 94.6 | 106 | 2 | 6.48 |
| MOR-JIS-P100-90D | 99.6 | 111 | 2 | 6.62 |
| MOR-JIS-P102-90D | 101.6 | 113 | 2 | 6.69 |
| MOR-JIS-P105-90D | 104.6 | 116 | 2 | 6.75 |
| MOR-JIS-P110-90D | 109.6 | 121 | 2 | 6.88 |
| MOR-JIS-P112-90D | 111.6 | 123 | 2 | 6.94 |
| MOR-JIS-P115-90D | 114.6 | 126 | 2 | 7.03 |
| MOR-JIS-P120-90D | 119.6 | 131 | 2 | 7.16 |
| MOR-JIS-P125-90D | 124.6 | 136 | 2 | 7.16 |
| MOR-JIS-P130-90D | 129.6 | 141 | 2 | 7.16 |
| MOR-JIS-P132-90D | 131.6 | 143 | 2 | 7.19 |
| MOR-JIS-P135-90D | 134.6 | 146 | 2 | 7.26 |
| MOR-JIS-P140-90D | 139.6 | 151 | 2 | 7.32 |
| MOR-JIS-P145-90D | 144.6 | 156 | 2 | 7.46 |
| MOR-JIS-G150-90D | 149.3 | 160.7 | 2 | 7.77 |
| MOR-JIS-P150-90D | 149.6 | 161 | 2 | 9.13 |
| MOR-JIS-G155-90D | 154.3 | 165.7 | 2 | 9.25 |
| MOR-JIS-G160-90D | 159.3 | 170.7 | 2 | 9.65 |
| MOR-JIS-G165-90D | 164.3 | 175.7 | 1 | 11.69 |
| MOR-JIS-G170-90D | 169.3 | 180.7 | 1 | 11.79 |
| MOR-JIS-G175-90D | 174.3 | 185.7 | 1 | 12.00 |
| MOR-JIS-G180-90D | 179.3 | 190.7 | 1 | 13.39 |
| MOR-JIS-G185-90D | 184.3 | 195.7 | 1 | 13.55 |
| MOR-JIS-G190-90D | 189.3 | 200.7 | 1 | 13.69 |
| MOR-JIS-G195-90D | 194.3 | 205.7 | 1 | 13.86 |
| MOR-JIS-G200-90D | 199.3 | 210.7 | 1 | 17.83 |
| MOR-JIS-G205-90D | 204.3 | 215.7 | 1 | 18.83 |
| MOR-JIS-G210-90D | 209.3 | 220.7 | 1 | 21.15 |
| MOR-JIS-G215-90D | 214.3 | 225.7 | 1 | 22.07 |
| MOR-JIS-G220-90D | 219.3 | 230.7 | 1 | 25.13 |
| MOR-JIS-G230-90D | 229.3 | 240.7 | 1 | 26.04 |
| MOR-JIS-G240-90D | 239.3 | 250.7 | 1 | 27.66 |
| MOR-JIS-G250-90D | 249.3 | 260.7 | 1 | 30.03 |
| MOR-JIS-G260-90D | 259.3 | 270.7 | 1 | 32.27 |
| MOR-JIS-G270-90D | 269.3 | 280.7 | 1 | 32.51 |
| MOR-JIS-G275-90D | 274.3 | 285.7 | 1 | 32.54 |
| MOR-JIS-G280-90D | 279.3 | 290.7 | 1 | 34.18 |
| MOR-JIS-G290-90D | 289.3 | 300.7 | 1 | 40.33 |
| MOR-JIS-G300-90D | 299.3 | 310.7 | 1 | 42.17 |
| 8.4mm C/S | | | | |
| MOR-JIS-P150A-90D | 149.5 | 166.3 | 1 | \$25.62 |
| MOR-JIS-P155-90D | 154.5 | 171.3 | 1 | 16.47 |
| MOR-JIS-P160-90D | 159.5 | 176.3 | 1 | 18.20 |
| MOR-JIS-P165-90D | 164.5 | 181.3 | 1 | 18.45 |
| MOR-JIS-P170-90D | 169.5 | 186.3 | 1 | 18.69 |

| Part Number | A Nom. ID | B Nom. OD | Package Quantity | List Price |
|------------------|-----------|-----------|------------------|------------|
| MOR-JIS-P175-90D | 174.5 | 191.3 | 1 | 18.95 |
| MOR-JIS-P180-90D | 179.5 | 196.3 | 1 | 20.54 |
| MOR-JIS-P185-90D | 184.5 | 201.3 | 1 | 21.40 |
| MOR-JIS-P190-90D | 189.5 | 206.3 | 1 | 21.69 |
| MOR-JIS-P195-90D | 194.5 | 211.3 | 1 | 21.95 |
| MOR-JIS-P200-90D | 199.5 | 216.3 | 1 | 22.25 |
| MOR-JIS-P210-90D | 209.5 | 226.3 | 1 | 27.17 |
| MOR-JIS-P215-90D | 214.5 | 231.3 | 1 | 28.18 |
| MOR-JIS-P220-90D | 219.5 | 236.3 | 1 | 32.17 |
| MOR-JIS-P225-90D | 224.5 | 241.3 | 1 | 31.91 |
| MOR-JIS-P240-90D | 239.5 | 256.3 | 1 | 41.61 |
| MOR-JIS-P245-90D | 244.5 | 261.3 | 1 | 40.34 |
| MOR-JIS-P255-90D | 254.5 | 271.3 | 1 | 91.51 |
| MOR-JIS-P265-90D | 264.5 | 281.3 | 1 | 64.67 |
| MOR-JIS-P280-90D | 279.5 | 296.3 | 1 | 116.06 |
| MOR-JIS-P290-90D | 289.5 | 306.3 | 1 | 111.11 |
| MOR-JIS-P300-90D | 299.5 | 316.3 | 1 | 85.49 |
| MOR-JIS-P375-90D | 374.5 | 391.3 | 1 | 120.45 |

METRIC O-RING GROOVE DIMENSIONS

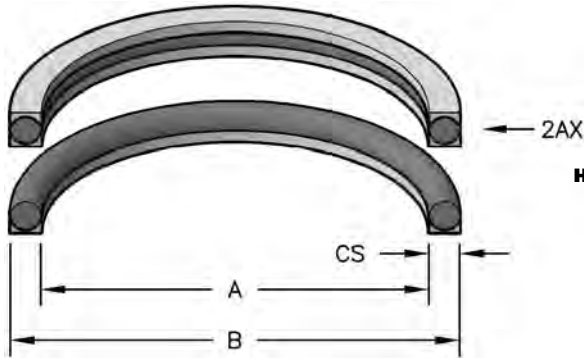


| Cross Section d | Radial Installation | | | | | Axial Installation | | Radius $r \pm 0.2$ | Gap E Max |
|-----------------|---------------------|-----------|--------------|--------------|--------------|--------------------|--------------|-----------------------|--------------|
| | Groove Depth + 0.05 | | Groove Width | | | Groove Depth | Groove Width | | |
| | Dynamic D1 | Static D2 | $G1 \pm 0.2$ | $G2 \pm 0.2$ | $G3 \pm 0.2$ | H + 0.05 | $G4 + 0.2$ | | |
| 1.5 | 1.25 | 1.10 | 2.00 | 3.00 | 4.00 | 1.10 | 2.10 | 0.30 | 0.05 |
| 1.60 | 1.30 | 1.20 | 2.10 | 3.10 | 4.10 | 1.20 | 2.20 | 0.30 | 0.05 |
| 1.78 | 1.45 | 1.30 | 2.40 | 3.60 | 5.20 | 1.30 | 2.60 | 0.30 | 0.06 |
| 2.40 | 2.05 | 1.80 | 3.20 | 4.60 | 6.00 | 1.80 | 3.30 | 0.30 | 0.06 |
| 2.62 | 2.25 | 2.00 | 3.80 | 5.00 | 6.40 | 2.00 | 3.80 | 0.30 | 0.07 |
| 3.00 | 2.60 | 2.30 | 4.00 | 5.40 | 6.80 | 2.30 | 4.00 | 0.60 | 0.07 |
| 3.53 | 3.10 | 2.70 | 4.80 | 6.20 | 7.60 | 2.70 | 5.00 | 0.60 | 0.08 |
| 4.00 | 3.50 | 3.10 | 5.20 | 6.90 | 8.60 | 3.10 | 5.30 | 0.60 | 0.08 |
| 5.33 | 4.70 | 4.30 | 7.10 | 9.00 | 10.90 | 4.30 | 7.30 | 0.60 | 0.10 |
| 5.70 | 5.00 | 4.60 | 7.20 | 9.00 | 11.00 | 4.60 | 7.40 | 0.60 | 0.10 |
| 7.00 | 6.10 | 5.80 | 9.50 | 12.30 | 15.10 | 5.80 | 9.70 | 1.00 | 0.13 |
| 8.40 | 7.50 | 7.10 | 10.00 | 12.80 | 15.60 | 7.10 | 10.30 | 1.00 | 0.13 |

Seal color may vary. Special order sizes are available. Sizes not shown and out of stock items can also be ordered for next day delivery through Seals On Demand, our custom seal program. Please call your regional sales team for assistance.

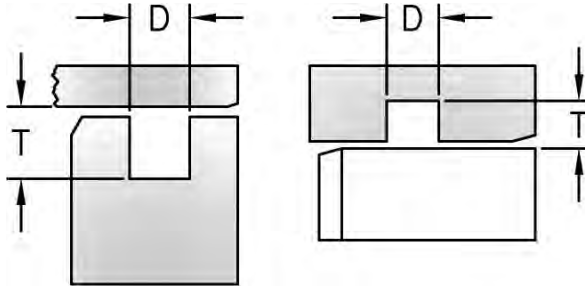
O-RINGS - OBVD STATIC SEALS

OBVD static seals are a composite of an o-ring and a back-up ring. An 80 durometer nitrile o-ring is permanently affixed to a 95 durometer urethane back-up ring.



HERCULES PART NUMBERS

OBVD 35 X 3
 Type of Seal Inside Diameter Cross Section



SEAL INFORMATION

| | |
|-------------------|---------------------|
| MATERIAL | NITRILE URETHANE |
| TEMPERATURE RANGE | -22° TO +212° F |
| PRESSURE RANGE | 0 TO 7,250 PSI |
| SPEED | 3 FT/SEC |

| Part Number | A Nom. ID | B Nom. OD | D GROOVE WIDTH | T GROOVE DEPTH | List Price |
|-------------------|-----------|-----------|--|--|------------|
| 3mm C/S | | | | | |
| OBVD 35X3 | 35 | 41 | 3.90 ^{+0.20} / _{+0.00} | 2.30 ^{+0.00} / _{-0.05} | \$ 14.52 |
| OBVD 56X3 | 56 | 62 | 3.90 ^{+0.20} / _{+0.00} | 2.30 ^{+0.00} / _{-0.05} | 14.15 |
| OBVD 60X3 | 60 | 66 | 3.90 ^{+0.20} / _{+0.00} | 2.30 ^{+0.00} / _{-0.05} | 14.15 |
| OBVD 75X3 | 75 | 81 | 3.90 ^{+0.20} / _{+0.00} | 2.30 ^{+0.00} / _{-0.05} | 17.84 |
| OBVD 84X3 | 84 | 90 | 3.90 ^{+0.20} / _{+0.00} | 2.30 ^{+0.00} / _{-0.05} | 19.88 |
| OBVD 85X3 | 85 | 91 | 3.90 ^{+0.20} / _{+0.00} | 2.30 ^{+0.00} / _{-0.05} | 19.88 |
| OBVD 94X3 | 94 | 100 | 3.90 ^{+0.20} / _{+0.00} | 2.30 ^{+0.00} / _{-0.05} | 22.30 |
| OBVD 95X3-2AX | 95 | 101 | 4.40 ^{+0.20} / _{+0.00} | 2.30 ^{+0.00} / _{-0.05} | 44.60 |
| OBVD 104X3 | 104 | 110 | 3.90 ^{+0.20} / _{+0.00} | 2.30 ^{+0.00} / _{-0.05} | 29.36 |
| 3.53mm C/S | | | | | |
| OBVD 53X3.53 | 53 | 60.06 | 4.50 ^{+0.20} / _{+0.00} | 2.80 ^{+0.05} / _{+0.00} | \$ 14.52 |
| 4mm C/S | | | | | |
| OBVD 57X4 | 57 | 65 | 5.20 ^{+0.20} / _{+0.00} | 3.20 ^{+0.00} / _{-0.05} | \$ 20.65 |
| OBVD 75X4 | 75 | 83 | 5.20 ^{+0.20} / _{+0.00} | 3.20 ^{+0.00} / _{-0.05} | 16.82 |
| OBVD 82X4 | 82 | 90 | 5.20 ^{+0.20} / _{+0.00} | 3.20 ^{+0.00} / _{-0.05} | 19.11 |
| OBVD 82X4-2AX | 82 | 90 | 5.70 ^{+0.20} / _{+0.00} | 3.20 ^{+0.00} / _{-0.05} | 34.41 |

| Part Number | A Nom. ID | B Nom. OD | D GROOVE WIDTH | T GROOVE DEPTH | List Price |
|----------------|-----------|-----------|--|--|------------|
| OBVD 87X4 | 87 | 95 | 5.20 ^{+0.20} / _{+0.00} | 3.20 ^{+0.00} / _{-0.05} | 19.11 |
| OBVD 92X4 | 92 | 100 | 5.20 ^{+0.20} / _{+0.00} | 3.20 ^{+0.00} / _{-0.05} | 23.79 |
| OBVD 110X4 | 110 | 118 | 5.20 ^{+0.20} / _{+0.00} | 3.20 ^{+0.00} / _{-0.05} | 29.06 |
| OBVD 117X4 | 117 | 125 | 5.20 ^{+0.20} / _{+0.00} | 3.20 ^{+0.00} / _{-0.05} | 33.45 |
| OBVD 117X4-2AX | 117 | 125 | 5.70 ^{+0.20} / _{+0.00} | 3.20 ^{+0.00} / _{-0.05} | 76.47 |
| OBVD 118X4 | 118 | 126 | 5.20 ^{+0.20} / _{+0.00} | 3.20 ^{+0.00} / _{-0.05} | 29.45 |
| OBVD 147X4 | 147 | 155 | 5.20 ^{+0.20} / _{+0.00} | 3.20 ^{+0.00} / _{-0.05} | 22.56 |
| 5mm C/S | | | | | |
| OBVD 85X5 | 85 | 95 | 6.20 ^{+0.30} / _{+0.00} | 4.20 ^{+0.00} / _{-0.10} | \$ 18.36 |
| OBVD 110X5 | 110 | 120 | 6.20 ^{+0.30} / _{+0.00} | 4.20 ^{+0.00} / _{-0.10} | 29.06 |
| OBVD 115X5 | 115 | 125 | 6.20 ^{+0.30} / _{+0.00} | 4.20 ^{+0.00} / _{-0.10} | 27.15 |
| OBVD 135X5 | 135 | 145 | 6.20 ^{+0.30} / _{+0.00} | 4.20 ^{+0.00} / _{-0.10} | 26.38 |
| OBVD 140X5 | 140 | 150 | 6.20 ^{+0.30} / _{+0.00} | 4.20 ^{+0.00} / _{-0.10} | 26.38 |
| OBVD 150X5 | 150 | 160 | 6.20 ^{+0.30} / _{+0.00} | 4.20 ^{+0.00} / _{-0.10} | 27.15 |
| 6mm C/S | | | | | |
| OBVD 212X6 | 212 | 224 | 7.20 ^{+0.30} / _{+0.00} | 5.10 ^{+0.00} / _{-0.10} | \$ 53.53 |



O-RINGS - OBVD STATIC SEALS

| Part Number | A Nom. ID | B Nom. OD | D GROOVE WIDTH | T GROOVE DEPTH | List Price |
|----------------|-----------|-----------|--|--|------------|
| OBVD240X6 | 240 | 252 | 7.20 ^{+0.30} / _{+0.00} | 5.10 ^{+0.00} / _{-0.10} | 56.20 |
| 8mm C/S | | | | | |
| OBVD380X8 | 380 | 396 | 9.80 ^{+0.30} / _{+0.00} | 6.80 ^{+0.00} / _{-0.10} | \$257.94 |

O-RING CORD STOCK

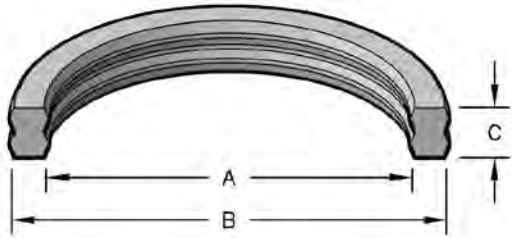
| Part Number | List Price |
|-------------|------------|
| MORC-1.5 | \$0.83 |
| MORC-2.0 | 0.88 |
| MORC-2.5 | 1.08 |
| MORC-3.0 | 1.42 |
| MORC-4.0 | 1.52 |
| MORC-5.0 | 2.31 |
| MORC-5.7 | 2.67 |
| MORC-6.0 | 2.35 |
| MORC-8.4 | 3.49 |

O-RINGS

NEW FOR 2015

STYLE MHS8 HEAD SEALS

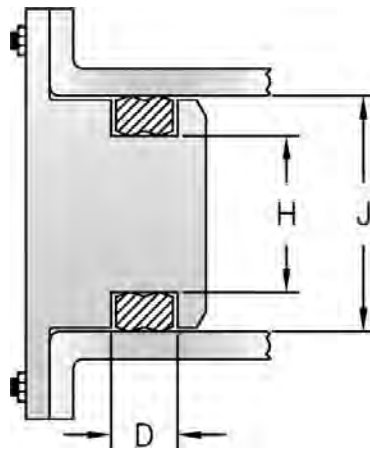
Molded in Zurcon® Z20 93A urethane, this seal was developed to be used as a head seal and to replace an o-ring and a back-up. Its symmetrical one-piece design reduces the risk of installation damage and back-up blow-out.



HERCULES PART NUMBERS

MHS8 15 X 12.6 X 3.6

Type of Seal Bore Diameter Groove Diameter Groove Width



SEAL INFORMATION

| | |
|-------------------|----------------|
| MATERIAL | 93A URETHANE |
| TEMPERATURE RANGE | -31° TO 230°F |
| PRESSURE RANGE | 0 TO 7,250 PSI |
| SPEED | STATIC |

HEAD SEALS

| Part Number | A Nom. ID | B Nom. OD | C Nom. Ht | D GROOVE WIDTH | H GROOVE DIAMETER | J BORE DIAMETER | List Price |
|------------------|--------------|--------------|--------------|--|---|---|---------------|
| MHS8-15X12.6X3.6 | 12.6 | 15 | 3.6 | 3.60 ^{+0.20} / _{+0.00} | 12.60 ^{+0.000} / _{-0.043} | 15.00 ^{+0.027} / _{+0.000} | \$ 4.84 |
| MHS8-18X15.6X3.6 | 15.6 | 18 | 3.6 | 3.60 ^{+0.20} / _{+0.00} | 15.60 ^{+0.000} / _{-0.043} | 18.00 ^{+0.027} / _{+0.000} | 5.02 |
| MHS8-23X20.6X3.6 | 20.6 | 23 | 3.6 | 3.60 ^{+0.20} / _{+0.00} | 20.60 ^{+0.000} / _{-0.052} | 23.00 ^{+0.033} / _{+0.000} | 5.29 |
| MHS8-26X22X4.4 | 22 | 26 | 4.4 | 4.40 ^{+0.20} / _{+0.00} | 22.00 ^{+0.000} / _{-0.052} | 26.00 ^{+0.033} / _{+0.000} | 5.35 |
| MHS8-31X26.4X5 | 26.4 | 31 | 5 | 5.00 ^{+0.20} / _{+0.00} | 26.40 ^{+0.000} / _{-0.052} | 31.00 ^{+0.039} / _{+0.000} | 5.41 |
| MHS8-35X30.4X5 | 30.4 | 35 | 5 | 5.00 ^{+0.20} / _{+0.00} | 30.40 ^{+0.000} / _{-0.062} | 35.00 ^{+0.039} / _{+0.000} | 5.52 |
| MHS8-35.5X30.9X5 | 30.9 | 35.5 | 5 | 5.00 ^{+0.20} / _{+0.00} | 30.90 ^{+0.000} / _{-0.062} | 35.50 ^{+0.039} / _{+0.000} | 5.55 |
| MHS8-40X35.2X5.4 | 35.2 | 40 | 5.4 | 5.40 ^{+0.20} / _{+0.00} | 35.20 ^{+0.000} / _{-0.062} | 40.00 ^{+0.039} / _{+0.000} | 5.72 |
| MHS8-45X40X5.4 | 40 | 45 | 5.4 | 5.40 ^{+0.20} / _{+0.00} | 40.00 ^{+0.000} / _{-0.062} | 45.00 ^{+0.039} / _{+0.000} | 5.88 |
| MHS8-50X45.4X5.4 | 45.4 | 50 | 5.4 | 5.40 ^{+0.20} / _{+0.00} | 45.40 ^{+0.000} / _{-0.062} | 50.00 ^{+0.039} / _{+0.000} | 6.05 |
| MHS8-55X49.9X5.3 | 49.9 | 55 | 5.3 | 5.30 ^{+0.20} / _{+0.00} | 49.90 ^{+0.000} / _{-0.062} | 55.00 ^{+0.046} / _{+0.000} | 6.21 |
| MHS8-60X54.4X5.8 | 54.4 | 60 | 5.8 | 5.80 ^{+0.20} / _{+0.00} | 54.40 ^{+0.000} / _{-0.074} | 60.00 ^{+0.046} / _{+0.000} | 6.38 |
| MHS8-63X57.6X6.2 | 57.6 | 63 | 6.2 | 6.20 ^{+0.20} / _{+0.00} | 57.60 ^{+0.000} / _{-0.074} | 63.00 ^{+0.046} / _{+0.000} | 6.59 |
| MHS8-63X58.4X5.4 | 58.4 | 63 | 5.4 | 5.40 ^{+0.20} / _{+0.00} | 58.40 ^{+0.000} / _{-0.074} | 63.00 ^{+0.046} / _{+0.000} | 6.55 |

NORTH AMERICA
PHONE 1-800-777-5617
FAX 1-800-759-6391

SALES OFFICE HOURS
8 A.M. TO 7:30 P.M. EASTERN TIME
www.HerculesUS.com

WORLDWIDE
PHONE 1-727-796-1300
FAX 1-727-797-8849



STYLE MHS8 HEAD SEALS

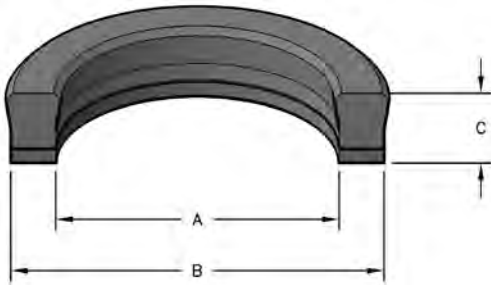
| Part Number | A Nom. ID | B Nom. OD | C Nom. Ht | D GROOVE WIDTH | H GROOVE DIAMETER | J BORE DIAMETER | List Price |
|---------------------|--------------|--------------|--------------|---|--|--|---------------|
| MHS8-70X66.4X6.2 | 66.4 | 70 | 6.2 | 6.20 ^{+0.20} / _{+0.00} | 66.40 ^{+0.000} / _{-0.074} | 70.00 ^{+0.046} / _{+0.000} | 6.94 |
| MHS8-75X69.4X5.3 | 69.4 | 75 | 5.3 | 5.30 ^{+0.20} / _{+0.00} | 69.40 ^{+0.000} / _{-0.074} | 75.00 ^{+0.046} / _{+0.000} | 7.22 |
| MHS8-75X69.6X6.2 | 69.6 | 75 | 6.2 | 6.20 ^{+0.20} / _{+0.00} | 69.60 ^{+0.000} / _{-0.074} | 75.00 ^{+0.046} / _{+0.000} | 7.30 |
| MHS8-80X73.6X6.4 | 73.6 | 80 | 6.4 | 6.40 ^{+0.20} / _{+0.00} | 73.60 ^{+0.000} / _{-0.074} | 80.00 ^{+0.046} / _{+0.000} | 7.55 |
| MHS8-80X74.4X5.3 | 74.4 | 80 | 5.3 | 5.30 ^{+0.20} / _{+0.00} | 74.40 ^{+0.000} / _{-0.074} | 80.00 ^{+0.046} / _{+0.000} | 7.50 |
| MHS8-85X79.4X5.3 | 79.4 | 85 | 5.3 | 5.30 ^{+0.20} / _{+0.00} | 79.40 ^{+0.000} / _{-0.074} | 85.00 ^{+0.054} / _{+0.000} | 7.78 |
| MHS8-95X89.4X6.2 | 89.4 | 95 | 6.2 | 6.20 ^{+0.20} / _{+0.00} | 89.40 ^{+0.000} / _{-0.087} | 95.00 ^{+0.054} / _{+0.000} | 8.10 |
| MHS8-100X93.8X6.9 | 93.8 | 100 | 6.9 | 6.90 ^{+0.20} / _{+0.00} | 93.80 ^{+0.000} / _{-0.087} | 100.00 ^{+0.054} / _{+0.000} | 8.45 |
| MHS8-100X94.3X5.3 | 94.3 | 100 | 5.3 | 5.30 ^{+0.20} / _{+0.00} | 94.30 ^{+0.000} / _{-0.087} | 100.00 ^{+0.054} / _{+0.000} | 8.38 |
| MHS8-110X101.4X9 | 101.4 | 110 | 9 | 9.00 ^{+0.20} / _{+0.00} | 101.40 ^{+0.000} / _{-0.087} | 110.00 ^{+0.054} / _{+0.000} | 9.20 |
| MHS8-115X106.6X8.6 | 106.6 | 115 | 8.6 | 8.60 ^{+0.20} / _{+0.00} | 106.60 ^{+0.000} / _{-0.087} | 115.00 ^{+0.054} / _{+0.000} | 9.50 |
| MHS8-120X113X6 | 113 | 120 | 6 | 6.00 ^{+0.20} / _{+0.00} | 113.00 ^{+0.000} / _{-0.087} | 120.00 ^{+0.054} / _{+0.000} | 10.77 |
| MHS8-125X115.8X9.7 | 115.8 | 125 | 9.7 | 9.70 ^{+0.20} / _{+0.00} | 115.80 ^{+0.000} / _{-0.087} | 125.00 ^{+0.063} / _{+0.000} | 11.57 |
| MHS8-160X148.4X12.3 | 148.4 | 160 | 12.3 | 12.30 ^{+0.20} / _{+0.00} | 148.40 ^{+0.00} / _{-0.10} | 160.00 ^{+0.063} / _{+0.000} | 16.42 |
| MHS8-165X156.6X8.6 | 156.6 | 165 | 8.6 | 8.60 ^{+0.20} / _{+0.00} | 156.60 ^{+0.00} / _{-0.10} | 165.00 ^{+0.063} / _{+0.000} | 17.22 |
| MHS8-180X171.6X8.6 | 171.6 | 180 | 8.6 | 8.60 ^{+0.20} / _{+0.00} | 171.60 ^{+0.00} / _{-0.10} | 180.00 ^{+0.063} / _{+0.000} | 20.94 |
| MHS8-200X191.6X8.6 | 191.6 | 200 | 8.6 | 8.60 ^{+0.20} / _{+0.00} | 191.60 ^{+0.000} / _{-0.115} | 200.00 ^{+0.072} / _{+0.000} | 24.83 |

HEAD SEALS

NEW FOR 2016

STYLE MHSNB HEAD SEALS

This head seal design, comprised of a nitrile seal and hard urethane back-up ring is used in some mining applications.



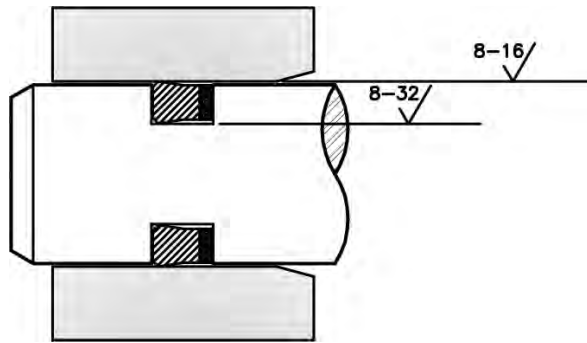
HERCULES PART NUMBERS

MHSNB 123.5 X 133 X 8.4

Type of Seal Inside Diameter Outside Diameter Height

SEAL INFORMATION

| | |
|-------------------|-------------------------------------|
| MATERIAL | NITRILE SEAL, HARD URETHANE BACK-UP |
| TEMPERATURE RANGE | -31° TO 230°F |
| PRESSURE RANGE | 0 TO 7,250 PSI |
| SPEED | STATIC |



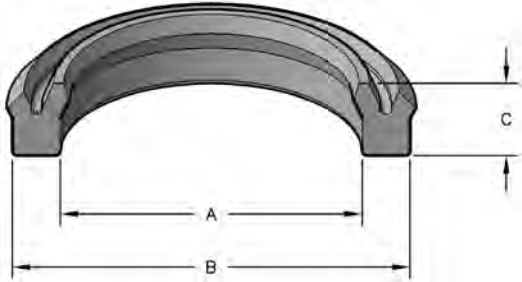
HEAD SEALS

| Part Number | A Nom. ID | B Nom. OD | C Nom. Ht | List Price |
|---------------------|--------------|--------------|--------------|------------|
| MHSNB-123.5X133X8.4 | 123.5 | 133 | 8.4 | \$110.28 |
| MHSNB-138X152X10 | 138 | 152 | 10 | 81.61 |
| MHSNB-150X163X12 | 150 | 163 | 12 | 96.28 |
| MHSNB-165X180X12 | 165 | 180 | 12 | 195.11 |
| MHSNB-185X200X12 | 185 | 200 | 12 | 226.61 |
| MHSNB-218X230X12 | 218 | 230 | 12 | 129.94 |
| MHSNB-223X238X12 | 223 | 238 | 12 | 189.89 |
| MHSNB-228X243X12 | 228 | 243 | 12 | 241.83 |
| MHSNB-260X275X15 | 260 | 275 | 15 | 300.89 |
| MHSNB-270X285X15 | 270 | 285 | 15 | 251.78 |
| MHSNB-295X310X15 | 295 | 310 | 15 | 283.28 |
| MHSNB-317X330X12 | 317 | 330 | 12 | 302.11 |
| MHSNB-325X340X15 | 325 | 340 | 15 | 308.44 |
| MHSNB-370X385X15 | 370 | 385 | 15 | 581.94 |
| MHSNB-406X420X16 | 406 | 420 | 16 | 629.44 |

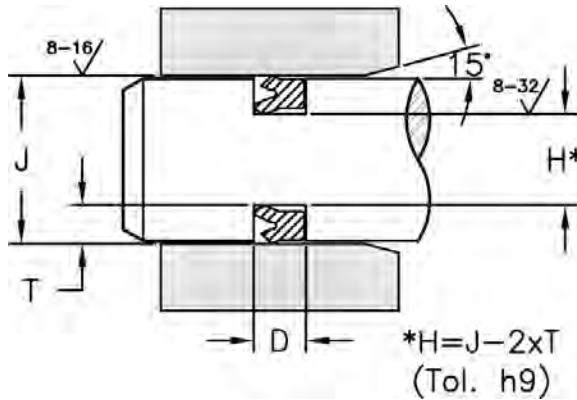
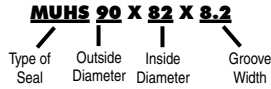
NEW FOR 2016

STYLE MUHS HEAD SEALS

The MUHS u-ring profile head seal was developed for high water content fluids (HFA) applications, it can also be used with standard mineral oil fluids. Each nominal diameter seal can be used in a range of bores, noted below.



HERCULES PART NUMBERS



| SEAL INFORMATION | |
|-------------------|--|
| MATERIAL | 40D POLYESTER ELASTOMER |
| TEMPERATURE RANGE | -22°F - +212°F +40°F - +140°F (HFA) |
| PRESSURE RANGE | 0 TO 7,500 PSI |
| SPEED | STATIC |

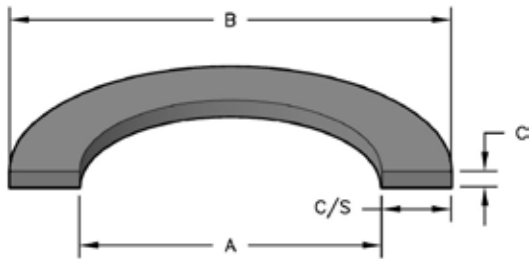
HEAD SEALS

| Part Number | A Nom. ID | B Nom. OD | C Nom. Ht | D GROOVE WIDTH | T GROOVE DEPTH | J BORE DIAMETER RANGE | List Price |
|---------------------|--------------|--------------|--------------|---|-------------------|-----------------------------|------------|
| MUHS-90X82X8.2 | 82 | 90 | 8.2 | 8.20 ^{+0.30} / _{+0.00} | 4.00 | 90-91 | \$36.89 |
| MUHS-154X146X8.2 | 146 | 154 | 8.2 | 8.20 ^{+0.30} / _{+0.00} | 4.00 | 154-164 | 49.39 |
| MUHS-216X208X8.2 | 208 | 216 | 8.2 | 8.20 ^{+0.30} / _{+0.00} | 4.00 | 216-225 | 62.94 |
| MUHS-230X218.8X11.2 | 218.8 | 230 | 11.2 | 11.20 ^{+0.30} / _{+0.00} | 5.60 | 230-240 | 96.94 |
| MUHS-290X278.8X11.2 | 278.8 | 290 | 11.2 | 11.20 ^{+0.30} / _{+0.00} | 5.60 | 290-300 | 100.50 |
| MUHS-300X288.8X11.2 | 288.8 | 300 | 11.2 | 11.20 ^{+0.30} / _{+0.00} | 5.60 | 300-311 | 137.22 |
| MUHS-312X302X10.3 | 302 | 312 | 10.3 | 10.30 ^{+0.30} / _{+0.00} | 5.00 | 312-322 | 141.00 |
| MUHS-395X381.4X15 | 381.4 | 395 | 15 | 15.00 ^{+0.30} / _{+0.00} | 6.80 | 395-405 | 255.94 |
| MUHS-420X406.4X15 | 406.4 | 420 | 15 | 15.00 ^{+0.30} / _{+0.00} | 6.80 | 420-430 | 264.94 |



STYLE MBT BACK-UP RINGS

Commonly used with metric o-rings, these back-up rings are made of virgin PTFE unless suffix specifies otherwise.



HERCULES PART NUMBERS

MBT - 3 X 1.5 X 1.25
 Type of Seal Inside Diameter Cross Section Width

SEAL INFORMATION

| | |
|-------------------|------------------|
| MATERIAL | PTFE |
| TEMPERATURE RANGE | -100° TO +500° F |

STANDARD IS VIRGIN PTFE.

G= GLASS FILLED PTFE

B= BRONZE FILLED PTFE

CG= CARBON GRAPHITE FILLED PTFE

S= SPLIT RING

BACK-UP RINGS

| Part Number | A Nom. ID | B Nom. OD | C Nom. Ht | List Price |
|---------------------|--------------|--------------|--------------|---------------|
| 1mm C/S | | | | |
| MBT-20X1.85GM | 20 | 22 | .85 | \$14.43 |
| 1.5mm C/S | | | | |
| MBT-3X1.5X1.25 | 3 | 6 | 1.25 | \$2.46 |
| MBT-4X1.5X1.25 | 4 | 7 | 1.25 | 1.18 |
| MBT-5X1.5X1.25 | 5 | 8 | 1.25 | 2.46 |
| MBT-6X1.5X1.25 | 6 | 9 | 1.25 | 2.46 |
| MBT-7X1.5X1.25 | 7 | 10 | 1.25 | 2.46 |
| MBT-8X1.5X1.25 | 8 | 11 | 1.25 | 2.46 |
| MBT-9X1.5X1.25 | 9 | 12 | 1.25 | 2.46 |
| MBT-10X1.5X1.25 | 10 | 13 | 1.25 | 2.46 |
| MBT-13X1.5X1 | 13 | 16 | 1 | 7.82 |
| 2mm C/S | | | | |
| MBT-10X2X1.25 | 10 | 14 | 1.25 | \$2.46 |
| MBT-11X2X1.25 | 11 | 15 | 1.25 | 2.46 |
| MBT-12X2X1.25 | 12 | 16 | 1.25 | 2.46 |
| MBT-12.5X2X1.25 | 12.5 | 16.5 | 1.25 | 2.46 |
| MBT-13X2X1.2 | 13 | 17 | 1.2 | 19.38 |
| MBT-14X2X1.25 | 14 | 18 | 1.25 | 2.46 |
| MBT-15X2X1.25 | 15 | 19 | 1.25 | 2.46 |
| MBT-16X2X1.25 | 16 | 20 | 1.25 | 2.46 |
| MBT-18X2X1.25 | 18 | 22 | 1.25 | 2.46 |
| MBT-20X2X1.25 | 20 | 24 | 1.25 | 2.46 |
| MBT-21X2X1.25 | 21 | 25 | 1.25 | 2.46 |
| MBT-22X2X1.25 | 22 | 26 | 1.25 | 2.46 |
| MBT-26X2X2.5SG | 26 | 30 | 2.5 | 20.71 |
| MBT-28X2X1.5S | 28 | 32 | 1.5 | 10.16 |
| MBT-47X2X1.25 | 47 | 51 | 1.25 | 8.69 |
| MBT-53X2X1.25 | 53 | 57 | 1.25 | 9.94 |
| 2.1mm C/S | | | | |
| MBT-11.8X2.1X1 | 11.8 | 16 | 1 | \$7.82 |
| 2.4mm C/S | | | | |
| MBT-127.7X2.4X1.25G | 127.7 | 132.5 | 1.25 | \$19.71 |
| 2.5mm C/S | | | | |
| MBT-20X2.5X1.25 | 20 | 25 | 1.25 | \$10.18 |
| MBT-25X2.5X1.25 | 25 | 30 | 1.25 | 1.71 |
| MBT-30X2.5X1.25 | 30 | 35 | 1.25 | 2.57 |
| MBT-32X2.5X1.5 | 32 | 37 | 1.5 | 27.82 |

| Part Number | A Nom. ID | B Nom. OD | C Nom. Ht | List Price |
|-------------------|--------------|--------------|--------------|---------------|
| MBT-35X2.5X1.25 | 35 | 40 | 1.25 | 2.57 |
| MBT-40X2.5X1.25 | 40 | 45 | 1.25 | 2.81 |
| MBT-45X2.5X1.25 | 45 | 50 | 1.25 | 2.81 |
| MBT-50X2.5X1.25 | 50 | 55 | 1.25 | 3.68 |
| MBT-55X2.5X1.25 | 55 | 60 | 1.25 | 5.02 |
| MBT-56X2.5X1.25 | 56 | 61 | 1.25 | 7.46 |
| MBT-57X2.5X1.5 | 57 | 62 | 1.5 | 11.64 |
| MBT-60X2.5X1.25 | 60 | 65 | 1.25 | 5.34 |
| MBT-65X2.5X1.25 | 65 | 70 | 1.25 | 6.07 |
| MBT-70X2.5X1.25 | 70 | 75 | 1.25 | 8.20 |
| MBT-75X2.5X1.25 | 75 | 80 | 1.25 | 8.39 |
| MBT-80X2.5X1.25 | 80 | 85 | 1.25 | 11.18 |
| MBT-85X2.5X1.25 | 85 | 90 | 1.25 | 11.35 |
| MBT-88X2.5X1.3 | 88 | 93 | 1.3 | 19.28 |
| MBT-90X2.5X1.25 | 90 | 95 | 1.25 | 11.35 |
| MBT-90X2.5X1.5 | 90 | 95 | 1.5 | 11.17 |
| MBT-95X2.5X1.25 | 95 | 100 | 1.25 | 11.35 |
| MBT-99.8X2.5X1.5 | 99.8 | 104.8 | 1.5 | 15.78 |
| MBT-100X2.5X1.25 | 100 | 105 | 1.25 | 11.59 |
| MBT-105X2.5X1.25 | 105 | 110 | 1.25 | 11.85 |
| MBT-109.7X2.5X1.5 | 109.7 | 114.7 | 1.5 | 15.78 |
| MBT-110X2.5X1.25 | 110 | 115 | 1.25 | 11.85 |
| MBT-115X2.5X1.25 | 115 | 120 | 1.25 | 12.08 |
| MBT-120X2.5X1.25 | 120 | 125 | 1.25 | 12.08 |
| MBT-125X2.5X1.25 | 125 | 130 | 1.25 | 12.23 |
| MBT-130X2.5X1.25 | 130 | 135 | 1.25 | 12.40 |
| MBT-135X2.5X1.25 | 135 | 140 | 1.25 | 13.26 |
| MBT-140X2.5X1.25 | 140 | 145 | 1.25 | 14.29 |
| MBT-145X2.5X1.25 | 145 | 150 | 1.25 | 14.56 |
| MBT-155X2.5X1.5 | 155 | 160 | 1.5 | 17.37 |
| 2.6mm C/S | | | | |
| MBT-73.7X2.6X1.5 | 73.7 | | 1.5 | \$6.54 |
| MBT-74.4X2.6X1.8 | 74.4 | 79.6 | 1.8 | 8.59 |
| MBT-104X2.6X1.5 | 104 | | 1.5 | 9.76 |
| 2.75mm C/S | | | | |
| MBT-35X2.75X1.5S | 35 | 40.5 | 1.5 | \$6.16 |
| 3mm C/S | | | | |
| MBT-22X3X1.25 | 22 | 28 | 1.25 | \$2.46 |
| MBT-22.4X3X1.25 | 22.4 | 28.4 | 1.25 | 2.46 |

NORTH AMERICA
 PHONE 1-800-777-5617
 FAX 1-800-759-6391

SALES OFFICE HOURS
 8 A.M. TO 7:30 P.M. EASTERN TIME
 www.HerculesUS.com

WORLDWIDE
 PHONE 1-727-796-1300
 FAX 1-727-797-8849

STYLE MBT BACK-UP RINGS

| Part Number | A Nom. ID | B Nom. OD | C Nom. Ht | List Price |
|-------------------|-----------|-----------|-----------|------------|
| MBT-24X3X1.25 | 24 | 30 | 1.25 | 2.46 |
| MBT-25X3X1.25 | 25 | 31 | 1.25 | 2.46 |
| MBT-26X3X1.25 | 26 | 32 | 1.25 | 2.46 |
| MBT-28X3X1.25 | 28 | 34 | 1.25 | 2.46 |
| MBT-29X3X1.25 | 29 | 35 | 1.25 | 2.46 |
| MBT-29.5X3X1.25 | 29.5 | 35.5 | 1.25 | 2.46 |
| MBT-30X3X1.25 | 30 | 36 | 1.25 | 2.46 |
| MBT-30X3X2.3 | 30 | 36 | 2.3 | 10.97 |
| MBT-31X3X1.25 | 31 | 37 | 1.25 | 2.46 |
| MBT-32X3X1.25 | 32 | 38 | 1.25 | 2.74 |
| MBT-34X3X1.25 | 34 | 40 | 1.25 | 2.74 |
| MBT-35X3X1.25 | 35 | 41 | 1.25 | 2.74 |
| MBT-35.5X3X1.25 | 35.5 | 41.5 | 1.25 | 2.94 |
| MBT-36X3X1.25 | 36 | 42 | 1.25 | 2.94 |
| MBT-38X3X1.25 | 38 | 44 | 1.25 | 2.94 |
| MBT-39X3X1.25 | 39 | 45 | 1.25 | 3.14 |
| MBT-40X3X1.25 | 40 | 46 | 1.25 | 3.14 |
| MBT-41X3X1.25 | 41 | 47 | 1.25 | 3.14 |
| MBT-42X3X1.25 | 42 | 48 | 1.25 | 3.14 |
| MBT-44X3X1.25 | 44 | 50 | 1.25 | 3.53 |
| MBT-45X3X1.25 | 45 | 51 | 1.25 | 3.53 |
| MBT-46X3X1.25 | 46 | 52 | 1.25 | 3.53 |
| MBT-48X3X1.25 | 48 | 54 | 1.25 | 3.53 |
| MBT-49X3X1.25 | 49 | 55 | 1.25 | 3.53 |
| MBT-50X3X1.25 | 50 | 56 | 1.25 | 3.53 |
| 3.1mm C/S | | | | |
| MBT-94.8X3.1X1.7 | 94.8 | 101 | 1.7 | \$15.81 |
| MBT-104.8X3.1X1.7 | 104.8 | 111 | 1.7 | 17.71 |
| 3.5mm C/S | | | | |
| MBT-62X3.5X1.1 | 62 | 69 | 1.1 | \$42.84 |
| MBT-82X3.5X1.5G | 82 | 89 | 1.5 | 22.85 |
| MBT-90X3.5X1.5 | 90 | | 1.5 | 8.53 |
| 4mm C/S | | | | |
| MBT-123X4X1.7 | 123 | 131 | 1.7 | \$19.26 |
| MBT-150X4X1.6 | 150 | 158 | 1.6 | 4.36 |
| 4.5mm C/S | | | | |
| MBT-170X4.5X1.9 | 170 | 179 | 1.9 | \$11.84 |
| MBT-190X4.5X1.9 | 190 | 199 | 1.9 | 13.81 |
| 5mm C/S | | | | |
| MBT-50X5X1.9 | 50 | 60 | 1.9 | \$13.59 |
| MBT-52X5X1.9 | 52 | 62 | 1.9 | 5.64 |
| MBT-53X5X1.9 | 53 | 63 | 1.9 | 5.64 |
| MBT-55X5X1.9 | 55 | 65 | 1.9 | 5.64 |
| MBT-55X5X3B | 55 | 65 | 3 | 11.43 |
| MBT-55.93X5X1.5 | 56 | 66 | 1.5 | 8.50 |
| MBT-56X5X1.9 | 56 | 66 | 1.9 | 6.13 |
| MBT-58X5X1.9 | 58 | 68 | 1.9 | 6.13 |
| MBT-59.95X5X1.55 | 60 | 70 | 1.5 | 10.50 |
| MBT-60X5X1.9 | 60 | 70 | 1.9 | 6.13 |
| MBT-62X5X1.9 | 62 | 72 | 1.9 | 6.13 |
| MBT-63X5X1.9 | 63 | 73 | 1.9 | 6.28 |
| MBT-65X5X1.9 | 65 | 75 | 1.9 | 6.56 |
| MBT-67X5X1.9 | 67 | 77 | 1.9 | 6.87 |
| MBT-70X5X1.9 | 70 | 80 | 1.9 | 7.10 |
| MBT-70X5X1.9S | 70 | 80 | 1.9 | 7.10 |
| MBT-71X5X1.9 | 71 | 81 | 1.9 | 7.10 |

| Part Number | A Nom. ID | B Nom. OD | C Nom. Ht | List Price |
|------------------|-----------|-----------|-----------|------------|
| MBT-74X5X1.9 | 74 | 84 | 1.9 | 8.28 |
| MBT-75X5X1.9 | 75 | 85 | 1.9 | 7.61 |
| MBT-80X5X1.9 | 80 | 90 | 1.9 | 8.19 |
| MBT-85X5X1.9 | 85 | 95 | 1.9 | 8.40 |
| MBT-90X5X1.9 | 90 | 100 | 1.9 | 9.47 |
| MBT-93X5X1.7 | 93 | 103 | 1.7 | 20.49 |
| MBT-95X5X1.9 | 95 | 105 | 1.9 | 9.75 |
| MBT-100X5X1.9 | 100 | 110 | 1.9 | 10.01 |
| MBT-105X5X1.9 | 105 | 115 | 1.9 | 10.80 |
| MBT-110X5X1.9 | 110 | 120 | 1.9 | 10.98 |
| MBT-112X5X1.9 | 112 | 122 | 1.9 | 10.98 |
| MBT-115X5X1.9 | 115 | 125 | 1.9 | 11.29 |
| MBT-120X5X1.9 | 120 | 130 | 1.9 | 11.82 |
| MBT-125X5X1.9 | 125 | 135 | 1.9 | 12.35 |
| MBT-130X5X1.9 | 130 | 140 | 1.9 | 12.58 |
| MBT-132X5X1.9 | 132 | 142 | 1.9 | 12.58 |
| MBT-135X5X1.9 | 135 | 145 | 1.9 | 13.10 |
| MBT-140X5X1.9 | 140 | 150 | 1.9 | 13.66 |
| MBT-145X5X1.9 | 145 | 155 | 1.9 | 14.12 |
| MBT-150X5X1.9 | 150 | 160 | 1.9 | 14.41 |
| MBT-155X5X1.9 | 155 | 165 | 1.9 | 14.88 |
| MBT-160X5X1.9 | 160 | 170 | 1.9 | 15.92 |
| MBT-162X5X1.9 | 162 | 172 | 1.9 | 16.75 |
| MBT-165X5X1.9 | 165 | 175 | 1.9 | 15.92 |
| MBT-170X5X1.9 | 170 | 180 | 1.9 | 16.19 |
| MBT-180X5X1.9 | 180 | 190 | 1.9 | 17.46 |
| MBT-180X5X2.5 | 180 | 190 | 2.5 | 29.55 |
| MBT-185X5X1.9 | 185 | 195 | 1.9 | 17.72 |
| MBT-190X5X1.9 | 190 | 200 | 1.9 | 18.25 |
| MBT-195X5X1.9 | 195 | 205 | 1.9 | 18.74 |
| MBT-200X5X1.9 | 200 | 210 | 1.9 | 19.28 |
| MBT-210X5X1.9 | 210 | 220 | 1.9 | 20.07 |
| MBT-214X5X1.9 | 214 | 224 | 1.9 | 24.54 |
| MBT-215X5X1.9 | 215 | 225 | 1.9 | 25.10 |
| MBT-220X5X1.9 | 220 | 230 | 1.9 | 21.03 |
| MBT-230X5X1.9 | 230 | 240 | 1.9 | 21.86 |
| MBT-240X5X1.9 | 240 | 250 | 1.9 | 23.10 |
| MBT-250X5X1.9 | 250 | 260 | 1.9 | 23.91 |
| MBT-260X5X1.9 | 260 | 270 | 1.9 | 24.90 |
| MBT-270X5X1.9 | 270 | 280 | 1.9 | 27.38 |
| MBT-275X5X1.9 | 275 | 285 | 1.9 | 29.27 |
| MBT-280X5X1.9 | 280 | 290 | 1.9 | 31.60 |
| MBT-290X5X1.9 | 290 | 300 | 1.9 | 34.04 |
| MBT-300X5X1.9 | 300 | 310 | 1.9 | 43.89 |
| 6mm C/S | | | | |
| MBT-325X6X3.5 | 325 | 337 | 3.5 | \$67.28 |
| 7.5mm C/S | | | | |
| MBT-95X7.5X3GM | 95 | 110 | 3 | \$22.90 |
| MBT-112X7.5X3SCG | 112 | 127 | 3 | 27.74 |
| MBT-150X7.5X2.75 | 150 | 165 | 2.75 | 28.71 |
| MBT-155X7.5X2.75 | 155 | 170 | 2.75 | 29.51 |
| MBT-160X7.5X2.75 | 160 | 175 | 2.75 | 30.26 |
| MBT-165X7.5X2.75 | 165 | 180 | 2.75 | 30.26 |
| MBT-170X7.5X2.75 | 170 | 185 | 2.75 | 33.19 |
| MBT-175X7.5X2.75 | 175 | 190 | 2.75 | 34.25 |
| MBT-180X7.5X2.75 | 180 | 195 | 2.75 | 35.05 |
| MBT-185X7.5X2.75 | 185 | 200 | 2.75 | 35.79 |

BACK-UP RINGS



STYLE MBT BACK-UP RINGS

| Part Number | A Nom. ID | B Nom. OD | C Nom. Ht | List Price |
|-------------------|--------------|--------------|--------------|---------------|
| MBT-190X7.5X2.75 | 190 | 205 | 2.75 | 36.21 |
| MBT-195X7.5X2.75 | 195 | 210 | 2.75 | 36.90 |
| MBT-200X7.5X2.75 | 200 | 215 | 2.75 | 37.53 |
| MBT-205X7.5X2.75 | 205 | 220 | 2.75 | 37.53 |
| MBT-209X7.5X2.75 | 209 | 224 | 2.75 | 37.53 |
| MBT-210X7.5X2.5 | 210 | 225 | 2.5 | 48.53 |
| MBT-210X7.5X2.75 | 210 | 225 | 2.75 | 39.32 |
| MBT-235X7.5X2.75 | 235 | 250 | 2.75 | 44.17 |
| MBT-240X7.5X2.75 | 240 | 255 | 2.75 | 44.96 |
| MBT-245X7.5X2.75 | 245 | 260 | 2.75 | 45.97 |
| MBT-255X7.5X2.75 | 255 | 270 | 2.75 | 47.78 |
| MBT-265X7.5X2.75 | 265 | 280 | 2.75 | 49.58 |
| MBT-275X7.5X2.75 | 275 | 290 | 2.75 | 51.37 |
| MBT-280X7.5X2.75 | 280 | 295 | 2.75 | 52.40 |
| MBT-285X7.5X2.75 | 285 | 300 | 2.75 | 52.91 |
| MBT-300X7.5X2.75 | 300 | 315 | 2.75 | 55.49 |
| 7.88mm C/S | | | | |
| MBT-54X7.88X3 | 54.04 | 69.8 | 3 | \$12.26 |
| 12.5mm C/S | | | | |
| MBT-170X12.5X4SB | 170 | 195 | 4 | \$41.89 |
| MBT-180X12.5X4SB | 180 | 205 | 4 | 83.98 |

BACK-UP RINGS

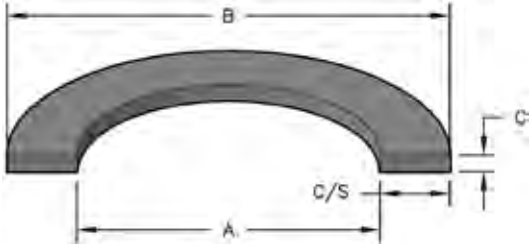
Seal color may vary. Special order sizes are available. Sizes not shown and out of stock items can also be ordered for next day delivery through Seals On Demand, our custom seal program. Please call your regional sales team for assistance.

NORTH AMERICA
PHONE 1-800-777-5617
FAX 1-800-759-6391

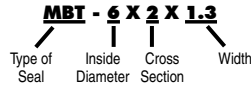
SALES OFFICE HOURS
8 A.M. TO 7:30 P.M. EASTERN TIME
www.HerculesUS.com

WORLDWIDE
PHONE 1-727-796-1300
FAX 1-727-797-8849

STYLE MBU BACK-UP RINGS



HERCULES PART NUMBERS



| SEAL INFORMATION | |
|-------------------|------------------------|
| MATERIAL | 95A DUROMETER URETHANE |
| TEMPERATURE RANGE | -40° TO +200° F |

NOTE:

50D Urethane is 50 shore D
 60D Urethane is 60 shore D
 70D Urethane is 70 shore D

| Part Number | A Nom. ID | B Nom. OD | C Nom. Ht | List Price |
|------------------------|-----------|-----------|-----------|------------|
| 1.5mm C/S | | | | |
| MBU-82X1.5X2.5-60D | 82 | 85 | 2.5 | \$ 1.46 |
| 2mm C/S | | | | |
| MBU-6X2X1.3 | 6 | 10 | 1.3 | \$ 1.73 |
| MBU-14X2X1.3 | 14 | 18 | 1.3 | 0.42 |
| MBU-16X2X1.3 | 16 | 20 | 1.3 | 1.31 |
| MBU-28X2X1.2 | 28 | 32 | 1.2 | 0.54 |
| 2.4mm C/S | | | | |
| MBU-50.2X2.4X1.25-70D | 50 | 54.8 | 1.25 | \$ 4.27 |
| MBU-55X2.4X1.25-70D | 55 | 59.8 | 1.25 | 4.48 |
| MBU-60.5X2.4X1.25-70D | 60.5 | 65.3 | 1.25 | 4.39 |
| MBU-71X2.4X1.3-70D | 71 | 75.8 | 1.3 | 1.82 |
| MBU-81X2.4X1.3-70D | 81 | 85.8 | 1.3 | 2.19 |
| MBU-86X2.4X1.3-70D | 86 | 90.8 | 1.3 | 2.42 |
| MBU-96X2.4X1.3-70D | 96 | 100.8 | 1.3 | 5.80 |
| MBU-105X2.4X1.25-70D | 105 | 109.8 | 1.25 | 32.53 |
| MBU-106X2.4X1.3-70D | 106 | 110.8 | 1.3 | 3.69 |
| MBU-115.7X2.4X1.25-70D | 115.7 | 120.5 | 1.25 | 32.53 |
| MBU-121X2.4X1.3-70D | 121 | 125.8 | 1.3 | 3.47 |
| MBU-126X2.4X1.3-70D | 126 | 130.8 | 1.3 | 4.73 |
| MBU-134.9X2.4X1.5-70D | 134.9 | 139.7 | 1.5 | 12.18 |
| MBU-135.6X2.4X1.25-70D | 135.6 | 140.4 | 1.25 | 12.18 |
| MBU-140.8X2.4X1.3-70D | 140.8 | 145.6 | 1.3 | 12.18 |
| 2.5mm C/S | | | | |
| MBU-25X2.5X1.3 | 25 | 30 | 1.3 | \$0.55 |
| MBU-27X2.5X1.3 | 27 | 32 | 1.3 | 0.54 |
| MBU-30X2.5X1.3 | 30 | 35 | 1.3 | 0.52 |
| MBU-33X2.5X1.5 | 33 | 38 | 1.5 | 0.54 |
| MBU-35X2.5X1.25-70D | 35 | 40 | 1.25 | 1.79 |
| MBU-35X2.5X1.3 | 35 | 40 | 1.3 | 0.55 |
| MBU-37X2.5X1.3 | 37 | 42 | 1.3 | 0.56 |
| MBU-40X2.5X1.3 | 40 | 45 | 1.3 | 0.58 |
| MBU-40X2.5X1.3-70D | 40 | 45 | 1.3 | 1.20 |
| MBU-43X2.5X1.3 | 43 | 48 | 1.3 | 0.60 |
| MBU-45X2.5X1.3 | 45 | 50 | 1.3 | 0.62 |
| MBU-47X2.5X1.3 | 47 | 52 | 1.3 | 4.89 |
| MBU-50X2.5X1.3 | 50 | 55 | 1.3 | 0.64 |
| MBU-52X2.5X1.5-60D | 52 | 57 | 1.5 | 1.46 |
| MBU-52X2.5X1.6-70D | 52 | 57 | 1.6 | 1.34 |

| Part Number | A Nom. ID | B Nom. OD | C Nom. Ht | List Price |
|------------------------|-----------|-----------|-----------|------------|
| MBU-55X2.5X1.3 | 55 | 60 | 1.3 | 0.78 |
| MBU-58X2.5X1.3 | 58 | 63 | 1.3 | 0.79 |
| MBU-60.13X2.5X1.27-70D | 60 | 65 | 1.3 | 4.75 |
| MBU-60X2.5X1.3 | 60 | 65 | 1.3 | 0.85 |
| MBU-60X2.5X1.5-70D | 60 | 65 | 1.5 | 1.40 |
| MBU-62X2.5X1.3 | 62 | 67 | 1.3 | 0.97 |
| MBU-62X2.5X1.65-70D | 62 | 67 | 1.65 | 1.47 |
| MBU-65X2.5X1.25-70D | 65 | 70 | 1.25 | 3.65 |
| MBU-65X2.5X1.3 | 65 | 70 | 1.3 | 1.10 |
| MBU-66X2.5X1.27-70D | 66 | 71 | 1.3 | 4.75 |
| MBU-67X2.5X1.5-60D | 67 | 72 | 1.5 | 1.52 |
| MBU-70X2.5X1.3 | 70 | 75 | 1.3 | 0.98 |
| MBU-70X2.5X1.3-70D | 70 | 75 | 1.3 | 1.77 |
| MBU-72X2.5X1.5-60D | 72 | 77 | 1.5 | 1.59 |
| MBU-72X2.5X1.6-70D | 72 | 77 | 1.6 | 1.85 |
| MBU-72.5X2.5X1.3 | 72.5 | 77.5 | 1.3 | 3.68 |
| MBU-75X2.5X1.25-70D | 75 | 80 | 1.25 | 2.25 |
| MBU-75X2.5X1.3 | 75 | 80 | 1.3 | 0.89 |
| MBU-75X2.5X2.25 | 75 | 80 | 2.25 | 1.42 |
| MBU-77X2.5X1.5-60D | 77 | 82 | 1.5 | 1.59 |
| MBU-77X2.5X1.6-70D | 77 | 82 | 1.6 | 2.04 |
| MBU-80X2.5X1.3 | 80 | 85 | 1.3 | 0.94 |
| MBU-85X2.5X1.25-70D | 85 | 90 | 1.25 | 2.35 |
| MBU-85X2.5X1.3 | 85 | 90 | 1.3 | 0.99 |
| MBU-87X2.5X1.5-60D | 87 | 92 | 1.5 | 1.65 |
| MBU-90X2.5X1.25-70D | 90 | 95 | 1.25 | 2.54 |
| MBU-90X2.5X1.3 | 90 | 95 | 1.3 | 1.01 |
| MBU-91X2.5X1.3-70D | 91 | 96 | 1.3 | 2.58 |
| MBU-92X2.5X1.5-60D | 92 | 97 | 1.5 | 1.71 |
| MBU-92X2.5X1.6-70D | 92 | 97 | 1.6 | 2.63 |
| MBU-95X2.5X1.25-70D | 95 | 100 | 1.25 | 2.75 |
| MBU-95X2.5X1.3 | 95 | 100 | 1.3 | 1.01 |
| MBU-98X2.5X1.3 | 98 | 103 | 1.3 | 1.05 |
| MBU-100X2.5X1.25-70D | 100 | 105 | 1.25 | 2.94 |
| MBU-100X2.5X1.3 | 100 | 105 | 1.3 | 1.06 |
| MBU-102X2.5X1.5-60D | 102 | 107 | 1.5 | 1.59 |
| MBU-105X2.5X1.3 | 105 | 110 | 1.3 | 1.31 |
| MBU-110X2.5X1.25-70D | 110 | 115 | 1.25 | 4.43 |
| MBU-110X2.5X1.3 | 110 | 115 | 1.3 | 1.55 |
| MBU-115X2.5X1.3 | 115 | 120 | 1.3 | 1.59 |

BACK-UP RINGS



STYLE MBU BACK-UP RINGS

BACK-UP RINGS

| Part Number | A Nom. ID | B Nom. OD | C Nom. Ht | List Price |
|-----------------------|-----------|-----------|-----------|------------|
| MBU-119.6X2.5X1.5-70D | 119.6 | 124.6 | 1.5 | 12.18 |
| MBU-120X2.5X1.25-70D | 120 | 125 | 1.25 | 3.42 |
| MBU-120X2.5X1.3 | 120 | 125 | 1.3 | 1.74 |
| MBU-125X2.5X1.25-70D | 125 | 130 | 1.25 | 4.68 |
| MBU-125X2.5X1.3 | 125 | 130 | 1.3 | 1.59 |
| MBU-125X2.5X1.5 | 125 | 130 | 1.5 | 1.22 |
| MBU-129.7X2.5X1.5-70D | 129.7 | 134.7 | 1.5 | 12.18 |
| MBU-130X2.5X1.25-70D | 130 | 135 | 1.25 | 2.80 |
| MBU-130X2.5X1.3 | 130 | 135 | 1.3 | 1.44 |
| MBU-135X2.5X1.5 | 135 | 140 | 1.5 | 1.81 |
| MBU-139.7X2.5X1.5-70D | 139.7 | 144.7 | 1.5 | 12.18 |
| MBU-140X2.5X1.3 | 140 | 145 | 1.3 | 1.68 |
| 3mm C/S | | | | |
| MBU-53.3X3X1 | 53.3 | 59.3 | 1 | \$0.85 |
| 3.5mm C/S | | | | |
| MBU-47X3.5X1.1 | 47 | 54 | 1.1 | \$5.57 |
| MBU-56X3.5X1.25 | 56 | 63 | 1.25 | 18.00 |
| MBU-66X3.5X1.2 | 66 | 73 | 1.2 | 17.59 |
| MBU-72X3.5X1.25 | 72 | 79 | 1.25 | 17.59 |
| MBU-76X3.5X1.1 | 76 | 83 | 1.1 | 25.69 |
| 4.5mm C/S | | | | |
| MBU-162X4.5X1.9-70D | 162 | 171 | 1.9 | \$40.66 |
| 4.9mm C/S | | | | |
| MBU-70X4.9X1.9-70D | 70 | 79.8 | 1.9 | \$6.75 |
| MBU-80X4.9X1.9-70D | 80 | 89.8 | 1.9 | 4.28 |
| MBU-85X4.9X1.9-70D | 85 | 94.8 | 1.9 | 7.09 |
| MBU-90X4.9X1.9-70D | 90 | 99.8 | 1.9 | 3.91 |
| MBU-110X4.9X1.9-70D | 110 | 119.8 | 1.9 | 38.72 |
| MBU-121X4.9X1.9-70D | 121 | 130.8 | 1.9 | 5.33 |
| MBU-126X4.9X1.9-70D | 126 | 135.8 | 1.9 | 4.73 |
| MBU-141X4.9X1.9-70D | 141 | 150.8 | 1.9 | 6.16 |
| MBU-151X4.9X1.9-70D | 151 | 160.8 | 1.9 | 18.65 |
| MBU-176X4.9X1.9-70D | 176 | 185.8 | 1.9 | 24.05 |
| MBU-201X4.9X1.9-70DS | 201 | 210.8 | 1.9 | 24.38 |
| 5mm C/S | | | | |
| MBU-50X5X1.7 | 50 | 60 | 1.7 | \$1.06 |
| MBU-53X5X1.7 | 53 | 63 | 1.7 | 0.98 |
| MBU-55X5X1.7 | 55 | 65 | 1.7 | 1.13 |
| MBU-60X5X1.7 | 60 | 70 | 1.7 | 1.05 |
| MBU-75X5X1.7 | 75 | 85 | 1.7 | 2.36 |
| MBU-77X5X1.7 | 77 | 87 | 1.7 | 2.01 |
| MBU-78X5X1.7 | 78 | 88 | 1.7 | 1.38 |
| MBU-85X5X1.7 | 85 | 95 | 1.7 | 1.67 |
| MBU-90X5X1.7 | 90 | 100 | 1.7 | 1.54 |
| MBU-95X5X1.7 | 95 | 105 | 1.7 | 1.59 |
| MBU-100X5X1.7 | 100 | 110 | 1.7 | 1.61 |
| MBU-110X5X1.7 | 110 | 120 | 1.7 | 2.17 |
| MBU-115X5X1.7 | 115 | 125 | 1.7 | 2.23 |
| MBU-120X5X1.7 | 120 | 130 | 1.7 | 2.50 |
| MBU-130X5X1.7 | 130 | 140 | 1.7 | 2.31 |
| MBU-140X5X1.7 | 140 | 150 | 1.7 | 2.37 |
| MBU-145X5X1.7 | 145 | 155 | 1.7 | 2.71 |
| MBU-150X5X1.7 | 150 | 160 | 1.7 | 2.45 |
| MBU-155X5X1.7 | 155 | 165 | 1.7 | 3.90 |
| MBU-160X5X1.7 | 160 | 170 | 1.7 | 4.46 |
| MBU-160X5X2.5-70D | 160 | 170 | 2.5 | 6.84 |

| Part Number | A Nom. ID | B Nom. OD | C Nom. Ht | List Price |
|-----------------------|-----------|-----------|-----------|------------|
| MBU-170X5X1.7 | 170 | 180 | 1.7 | 4.48 |
| MBU-175X5X1.9 | 175 | 185 | 1.9 | 4.64 |
| MBU-180X5X1.7 | 180 | 190 | 1.7 | 4.63 |
| MBU-180X5X2.5-70D | 180 | 190 | 2.5 | 8.41 |
| MBU-190X5X1.7 | 190 | 200 | 1.7 | 4.65 |
| MBU-190X5X2.65-70D | 190 | 200 | 2.65 | 9.31 |
| MBU-204.5X5X2.55-70D | 204.5 | 214.5 | 2.55 | 9.50 |
| MBU-215X5X2.5-70D | 215 | 225 | 2.5 | 9.63 |
| MBU-220X5X2.5-70D | 219.5 | 229.5 | 2.5 | 21.66 |
| MBU-245X5X2 | 245 | 255 | 2 | 8.17 |
| MBU-250X5X2.5-70D | 249.5 | 259.5 | 2.5 | 29.35 |
| 7.1mm C/S | | | | |
| MBU-215X7.1X2.1 | 215 | 229.2 | 2.1 | \$4.71 |
| MBU-235X7.1X2.1 | 235 | 249.2 | 2.1 | 6.11 |
| MBU-245X7.1X2.1 | 245 | 259.2 | 2.1 | 6.58 |
| 7.5mm C/S | | | | |
| MBU-60X7.5X1.7 | 60 | 75 | 1.7 | \$2.00 |
| MBU-145X7.5X2.5 | 145 | 160 | 2.5 | 3.51 |
| MBU-155X7.5X1.7 | 155 | 170 | 1.7 | 14.79 |
| MBU-165X7.5X2.1 | 165 | 180 | 2.1 | 4.91 |
| MBU-175X7.5X2.1 | 175 | 190 | 2.1 | 4.24 |
| MBU-185.1X7.5X2.1-70D | 185 | 200 | 2.1 | 8.41 |
| MBU-185X7.5X2.5 | 185 | 200 | 2.1 | 4.74 |
| MBU-205X7.5X2.1 | 205 | 220 | 2.1 | 7.89 |
| MBU-215X7.5X2.8-70D | 214.6 | 229.6 | 2.8 | 46.14 |
| MBU-225X7.5X2.8-70D | 225 | 240 | 2.8 | 22.37 |
| MBU-225.3X7.5X2.1 | 225.3 | 240 | 2.1 | 8.49 |
| MBU-245X7.5X2.8-70D | 245 | 260 | 2.8 | 60.54 |
| 10mm C/S | | | | |
| MBU-140X10X4-70D | 140 | 160 | 4 | \$31.43 |
| MBU-160X10X4-70D | 160 | 180 | 4 | 47.45 |

Seal color may vary. Special order sizes are available. Sizes not shown and out of stock items can also be ordered for next day delivery through Seals On Demand, our custom seal program. Please call your regional sales team for assistance.

NORTH AMERICA
PHONE 1-800-777-5617
FAX 1-800-759-6391

SALES OFFICE HOURS
8 A.M. TO 7:30 P.M. EASTERN TIME
www.HerculesUS.com

WORLDWIDE
PHONE 1-727-796-1300
FAX 1-727-797-8849

LOCK WIRE AND RETAINER RINGS

Lock Wire

| Part Number | Sale Unit | LENGTH | th THICKNESS | List Price |
|-------------|-------------------|--------|--------------|------------|
| MLW-2 | BY THE INCH | N/A | 2.00 | \$0.30 |
| MLW-3 | IN 250mm SECTIONS | 250.00 | 3.00 | 12.46 |

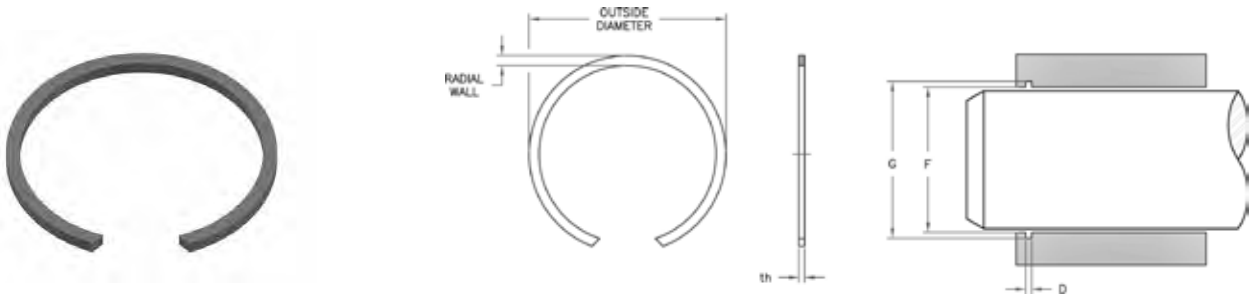
Note - The profile is round.

Spiral Type Retainer Rings



| Part Number | J BORE DIAMETER | OUTSIDE DIAMETER | th THICKNESS | RADIAL WALL | List Price |
|-------------|-----------------|------------------|--------------|-------------|------------|
| MSL-32 | 32.00 | 34.50 | 0.80 | | \$9.44 |
| MSL-34 | 34.00 | 36.30 | 0.62 | | 9.90 |
| MSL-54 | 52.00 | 54.80 | 0.80 | | 11.01 |
| MSL-58 | 58.00 | 60.30 | 1.50 | 2.30 | 11.47 |
| MSL-75 | 75.00 | 75.50 | 1.00 | 4.00 | 12.14 |
| MSL-74 | 74.00 | 77.50 | 1.00 | | 21.64 |

Internal Retainer Rings



| Part Number | D GROOVE WIDTH | F THROAT DIAMETER | G HOUSING DIAMETER | OUTSIDE DIAMETER | th THICKNESS | RADIAL WALL | List Price |
|------------------|----------------|-------------------|--|------------------|--|--|------------|
| MNAN-037X2.3X1.5 | 1.60 | 37.00 | 38.20 ^{+0.16} / _{+0.00} | 38.80 | 1.50 ^{+0.00} / _{-0.10} | 2.30 ^{+0.00} / _{-0.10} | \$8.20 |
| MNAN-038 | 1.60 | 38.00 | 39.20 ^{+0.16} / _{+0.00} | 39.80 | 1.50 ^{+0.00} / _{-0.10} | 2.30 ^{+0.00} / _{-0.10} | 7.88 |
| MNAN-053X2.3X1.5 | 1.60 | 53.00 | 54.50 ^{+0.19} / _{+0.00} | 55.30 | 1.50 ^{+0.00} / _{-0.10} | 2.30 ^{+0.00} / _{-0.10} | 8.09 |
| MNAN-058 | 1.60 | 58.00 | 59.50 ^{+0.19} / _{+0.00} | 60.30 | 1.50 ^{+0.00} / _{-0.10} | 2.30 ^{+0.00} / _{-0.10} | 10.97 |
| MNAN-102 | 2.70 | 102.00 | 104.30 ^{+0.22} / _{+0.00} | 105.30 | 2.50 | 3.40 | 8.82 |
| MNAN-117 | 2.70 | 117.00 | 119.30 ^{+0.22} / _{+0.00} | 120.40 | 2.50 ^{+0.00} / _{-0.10} | 3.40 ^{+0.00} / _{-0.10} | 11.96 |

RETAINER RINGS



RETAINER RINGS

Internal Retainer Rings



RETAINER RINGS

| Part Number | D GROOVE WIDTH | F THROAT DIAMETER | G HOUSING DIAMETER | OUTSIDE DIAMETER | th THICKNESS | List Price |
|-------------|--|-------------------------|--|--|--|---------------|
| M300-28 | 1.30 ^{+0.15} / _{+0.00} | 28.00 | 29.39 ^{+0.20} / _{+0.00} | 30.10 ^{+0.51} / _{-0.25} | 1.19 ^{+0.00} / _{-0.05} | \$0.67 |
| M300-30 | 1.30 ^{+0.15} / _{+0.00} | 30.00 | 31.39 ^{+0.25} / _{+0.00} | 32.11 ^{+0.51} / _{-0.25} | 1.19 ^{+0.00} / _{-0.05} | 1.10 |
| M300-32 | 1.30 ^{+0.15} / _{+0.00} | 32.00 | 33.71 ^{+0.25} / _{+0.00} | 34.39 ^{+0.51} / _{-0.25} | 1.19 ^{+0.00} / _{-0.05} | 2.90 |
| M300-42 | 1.85 ^{+0.15} / _{+0.00} | 42.00 | 44.50 ^{+0.25} / _{+0.00} | 45.49 ^{+0.89} / _{-0.38} | 1.75 ^{+0.00} / _{-0.05} | 4.04 |
| M300-45 | 1.85 ^{+0.15} / _{+0.00} | 45.00 | 47.50 ^{+0.25} / _{+0.00} | 48.49 ^{+0.89} / _{-0.38} | 1.75 ^{+0.00} / _{-0.05} | 4.32 |
| M300-47 | 1.85 ^{+0.15} / _{+0.00} | 47.00 | 49.50 ^{+0.25} / _{+0.00} | 50.50 ^{+1.09} / _{-0.46} | 1.75 ^{+0.00} / _{-0.05} | 4.40 |
| M300-48 | 1.85 ^{+0.15} / _{+0.00} | 48.00 | 50.50 ^{+0.30} / _{+0.00} | 51.51 ^{+1.09} / _{-0.46} | 1.75 ^{+0.00} / _{-0.05} | 4.40 |
| M300-50 | 2.16 ^{+0.15} / _{+0.00} | 50.00 | 53.01 ^{+0.30} / _{+0.00} | 54.20 ^{+1.09} / _{-0.46} | 2.01 ^{+0.00} / _{-0.08} | 4.48 |
| M300-52 | 2.16 ^{+0.15} / _{+0.00} | 52.00 | 54.99 ^{+0.30} / _{+0.00} | 56.21 ^{+1.09} / _{-0.46} | 2.01 ^{+0.00} / _{-0.08} | 4.82 |
| M300-55 | 2.16 ^{+0.15} / _{+0.00} | 55.00 | 57.99 ^{+0.30} / _{+0.00} | 59.21 ^{+1.09} / _{-0.46} | 2.01 ^{+0.00} / _{-0.08} | 4.66 |
| M300-60 | 2.16 ^{+0.15} / _{+0.00} | 60.00 | 62.99 ^{+0.30} / _{+0.00} | 64.21 ^{+1.09} / _{-0.46} | 2.01 ^{+0.00} / _{-0.08} | 4.94 |
| M300-62 | 2.16 ^{+0.15} / _{+0.00} | 62.00 | 65.00 ^{+0.30} / _{+0.00} | 66.19 ^{+1.09} / _{-0.46} | 2.01 ^{+0.00} / _{-0.08} | 5.08 |
| M300-72 | 2.64 ^{+0.15} / _{+0.00} | 72.00 | 75.01 ^{+0.30} / _{+0.00} | 76.50 ^{+1.09} / _{-0.46} | 2.49 ^{+0.00} / _{-0.08} | 5.89 |
| M300-80 | 2.64 ^{+0.15} / _{+0.00} | 80.00 | 83.49 ^{+0.36} / _{+0.00} | 85.50 ^{+1.30} / _{-0.53} | 2.49 ^{+0.00} / _{-0.08} | 8.15 |
| M300-82 | 2.64 ^{+0.15} / _{+0.00} | 82.00 | 85.50 ^{+0.36} / _{+0.00} | 87.50 ^{+1.30} / _{-0.53} | 2.49 ^{+0.00} / _{-0.08} | 8.23 |
| M300-130 | 4.14 ^{+0.18} / _{+0.00} | 130.00 | 134.01 ^{+0.64} / _{+0.00} | 137.01 ^{+1.50} / _{-0.64} | 4.00 ^{+0.00} / _{-0.10} | 13.09 |

RETAINER RINGS

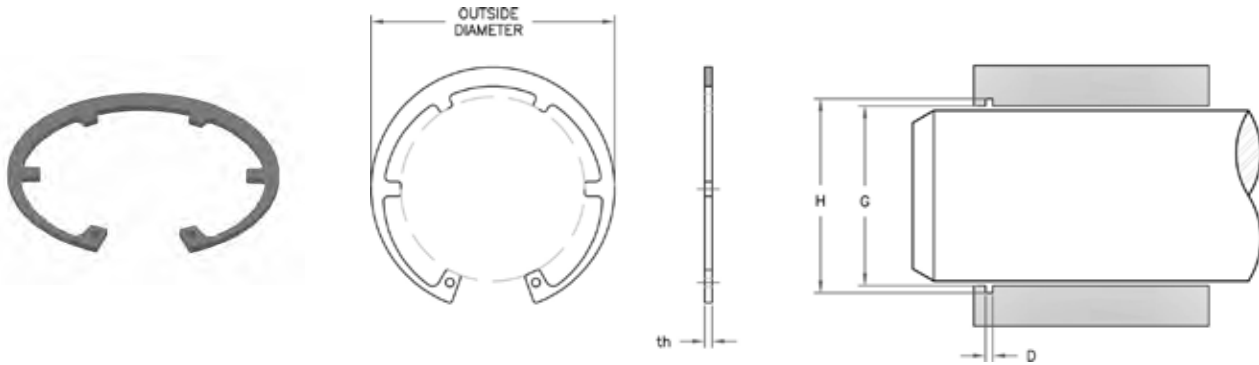
External Retainer Rings



| Part Number | D GROOVE WIDTH | E SHAFT DIAMETER | H GROOVE DIAMETER | INSIDE DIAMETER | th THICKNESS | List Price |
|-------------|--|------------------------|---|---|--|---------------|
| M310-13 | 1.10 ^{+0.14} / _{+0.00} | 13.00 | 12.40 ^{+0.00} / _{-0.11} | 11.90 ^{+0.18} / _{-0.36} | 1.00 ^{+0.00} / _{-0.06} | \$2.33 |
| M310-14 | 1.10 ^{+0.14} / _{+0.00} | 14.00 | 13.40 ^{+0.00} / _{-0.11} | 12.90 ^{+0.18} / _{-0.36} | 1.00 ^{+0.00} / _{-0.06} | 2.33 |
| M310-25 | 1.30 ^{+0.14} / _{+0.00} | 25.00 | 23.90 ^{+0.00} / _{-0.21} | 23.20 ^{+0.21} / _{-0.42} | 1.20 ^{+0.00} / _{-0.06} | 2.50 |
| M310-28 | 1.60 ^{+0.14} / _{+0.00} | 28.00 | 26.60 ^{+0.00} / _{-0.21} | 25.90 ^{+0.21} / _{-0.42} | 1.50 ^{+0.00} / _{-0.06} | 2.85 |
| M310-30 | 1.60 ^{+0.14} / _{+0.00} | 30.00 | 28.60 ^{+0.00} / _{-0.21} | 27.90 ^{+0.21} / _{-0.42} | 1.50 ^{+0.00} / _{-0.06} | 3.20 |
| M310-35 | 1.60 ^{+0.14} / _{+0.00} | 35.00 | 33.00 ^{+0.00} / _{-0.25} | 32.20 ^{+0.25} / _{-0.50} | 1.50 ^{+0.00} / _{-0.06} | 1.29 |
| M310-45 | 1.85 ^{+0.14} / _{+0.00} | 45.00 | 42.50 ^{+0.00} / _{-0.25} | 41.50 ^{+0.39} / _{-0.90} | 1.75 ^{+0.00} / _{-0.06} | 4.94 |
| M310-50 | 2.15 ^{+0.14} / _{+0.00} | 50.00 | 47.00 ^{+0.00} / _{-0.25} | 45.80 ^{+0.39} / _{-0.90} | 2.00 ^{+0.00} / _{-0.06} | 6.27 |
| M310-60 | 2.15 ^{+0.14} / _{+0.00} | 60.00 | 57.00 ^{+0.00} / _{-0.30} | 55.80 ^{+0.46} / _{-1.10} | 2.00 ^{+0.00} / _{-0.06} | 6.74 |
| M310-65 | 2.65 ^{+0.14} / _{+0.00} | 65.00 | 62.00 ^{+0.00} / _{-0.30} | 60.80 ^{+0.46} / _{-1.10} | 2.50 ^{+0.00} / _{-0.06} | 3.68 |
| M310-75 | 2.65 ^{+0.14} / _{+0.00} | 75.00 | 72.00 ^{+0.00} / _{-0.30} | 70.50 ^{+0.46} / _{-1.10} | 2.50 ^{+0.00} / _{-0.06} | 2.66 |
| MXAN-080 | 3.53 ^{+0.15} / _{+0.00} | 80.00 | 75.67 ±0.15 | 74.83 ^{+0.00} / _{-1.57} | 3.18 ±0.05 | 17.53 |

RETAINER RINGS

DHT STYLE INTERNAL RETAINER RINGS

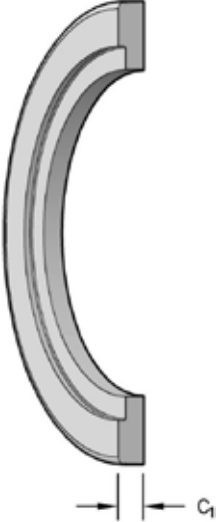


RETAINER RINGS

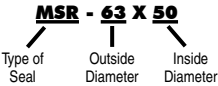
| Part Number | D GROOVE WIDTH | G HOUSING DIAMETER | H GROOVE DIAMETER | OUTSIDE DIAMETER | th THICKNESS | List Price |
|-------------|----------------------|--------------------------|---|---|--|---------------|
| M300-35DHT | 1.60 | 35.00 | 37.00 ^{+0.25} / _{+0.00} | 37.80 ^{+0.50} / _{-0.25} | 1.50 ^{+0.00} / _{-0.06} | \$2.88 |
| M300-40DHT | 1.85 | 40.00 | 42.50 ^{+0.25} / _{+0.00} | 43.50 ^{+0.90} / _{-0.39} | 1.75 ^{+0.00} / _{-0.06} | 4.32 |
| M300-52DHT | 2.15 | 52.00 | 55.00 ^{+0.30} / _{+0.00} | 56.20 ^{+1.10} / _{-0.46} | 2.00 ^{+0.00} / _{-0.07} | 5.75 |
| M300-62DHT | 2.15 | 62.00 | 65.00 ^{+0.30} / _{+0.00} | 66.20 ^{+1.10} / _{-0.46} | 2.00 ^{+0.00} / _{-0.07} | 8.62 |
| M300-72DHT | 2.65 | 72.00 | 75.00 ^{+0.30} / _{+0.00} | 76.50 ^{+1.10} / _{-0.46} | 2.50 ^{+0.00} / _{-0.07} | 8.62 |

STYLE MSR U-SEAL RETAINER RINGS

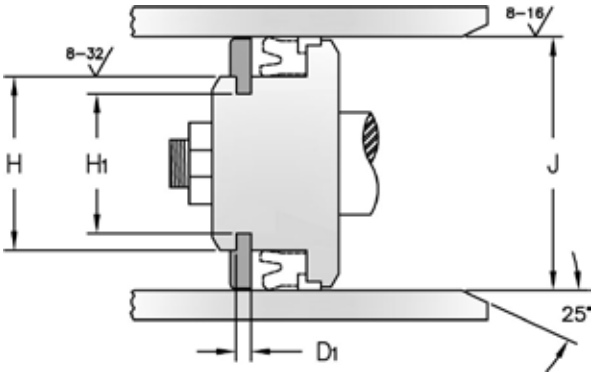
These rings are split for ease of installation and are retained in a groove. Their use is primarily to retain single acting piston seals. Commonly are used with MUFN style piston seals.



HERCULES PART NUMBERS



| SEAL INFORMATION | |
|-------------------|-----------------|
| MATERIAL | ACETAL |
| TEMPERATURE RANGE | -22° TO +212° F |



| Part Number | C ₁ OVERALL HEIGHT | D ₁ BEARING GROOVE WIDTH | H GROOVE DIAMETER | H ₁ BEARING GROOVE DIAMETER | J BORE DIAMETER | List Price |
|--------------|----------------------------------|--|----------------------|---|--------------------|------------|
| MSR-63X50 | 6.48 ±0.13 | 3.30 ^{+0.13} / _{+0.00} | 50.00 | 45.80 | 63.00 | \$4.83 |
| MSR-70X50 | 6.48 ±0.13 | 3.30 ^{+0.13} / _{+0.00} | 50.00 | 45.80 | 70.00 | 4.50 |
| MSR-90X70 | 6.48 ±0.13 | 3.30 ^{+0.13} / _{+0.00} | 70.00 | 65.80 | 90.00 | 5.59 |
| MSR-104.5X85 | 6.48 ±0.13 | 3.30 ^{+0.13} / _{+0.00} | 85.00 | 80.80 | 104.50 | 9.69 |
| MSR-105X85 | 6.48 ±0.13 | 4.60 ^{+0.13} / _{+0.00} | 85.00 | 80.80 | 105.00 | 8.73 |
| MSR-110X90 | 6.48 ±0.13 | 3.30 ^{+0.13} / _{+0.00} | 90.00 | 85.80 | 110.00 | 9.46 |

RETAINER RINGS



NOTES

NOTES

Repair Accessories

| Contents | Page |
|--------------------------------------|-------------|
| Plastic Cap Plugs | 740 - 744 |
| Bolted Split Flange Protectors | 744 |
| Face and Thread Seals | 745 |
| Wave Springs and Carbon Steel Shims | 746 - 747 |
| Lock Nuts | 748 - 749 |
| Self Aligning Bearings | 750 - 751 |
| Set Screws and Wind-In Lock Wires | 752 |
| Nylon and Filter Vent Plugs | 752 |
| Steel Plugs and Vents | 753 |
| Port Plugs and Manual Bleeder Valves | 754 |
| Split Tension Bushings | 755 |
| Adhesives and Seal Lube | 756 |
| PTFE and Silicone Tape | 757 |
| Grease Fittings and Caps | 757 |
| Cotter Pins | 757 |
| Couplings | 758 |



PLASTIC CAP PLUGS

CAP PLUG APPLICATION CHART

| CAP- | NPT | | INCH THREAD | | METRIC THREAD | |
|------|-------|-------|-------------|--------|---------------|----------|
| | CAPS | PLUGS | CAPS | PLUGS | CAPS | PLUGS |
| 00 | | | | 10/32 | M2,M2.5 | M5 |
| 0 | | | | 1/4 | M3,M3.5 | M6 |
| 1 | | | | 5/16 | M5 | M8x1 |
| 1-X | | | | | M6 | |
| 2 | | | 15/64 | 3/8 | M7 | M10x1.25 |
| 2-X | | 1/8 | | | | |
| 3 | | | | 7/16 | M8x1 | M12 |
| 3-X | | | 3/8 | | | M12x1.25 |
| 4 | 1/8 | 1/4 | | 1/2 | M10x1.25 | M14 |
| 4-X | | | 7/16 | | | M14x1.5 |
| 5 | | | 1/2 | 9/16 | | |
| 5-X | | | | | M12x1.25 | M16 |
| 6 | 1/4 | | | 5/8 | | |
| 6-X | | 3/8 | 9/16 | | | M18 |
| 7 | | | 5/8 | | M14x1.5 | M18x1.5 |
| 7-X | | | | | | |
| 8 | | | | 3/4 | | M20 |
| 8-X | 3/8 | | | | M16x1.5 | M20x1.5 |
| 9 | | 1/2 | | | | M22 |
| 9-X | | | 3/4 | | | M22x1.5 |
| 10 | | | | 7/8 | M18x1.5 | M24 |
| 11 | 1/2 | | | | | M24x2 |
| 11-X | | | 7/8 | | M20x1.5 | |
| 12 | | 3/4 | | | | |
| 12-X | | | | 1-1/16 | M22x1.5 | M27x2 |
| 13 | 3/4 | | | | M24x2 | |
| 13-X | | | 1-1/16 | | | M30x2 |
| 14 | | 1 | | | M27x2 | M33 |
| 17 | | 1-1/4 | | | M36x3 | |
| 17-S | | | | 1-5/8 | | |
| 18 | 1-1/4 | | 1-5/8 | 1-3/4 | M39x3 | |
| 19 | | 1-1/2 | | 1-7/8 | | |
| 20 | 1-1/2 | | 1-7/8 | | | |
| 20-S | | | | | | |
| 21 | | | | | | |
| 220 | | | | | | |
| 230 | | | 2-1/4 | | | |
| 24-S | | 2 | | | | |
| 240 | 2 | | | | | |
| 250 | | | 2-1/2 | | | |

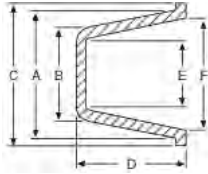


This style cap plug is equipped with a handy fold-down pull ring.

Tapered Caps & Plugs With Pull Ring

| Part Number | NPT Port Size | OD Size Tapered | HT | Min Std Pkg | List Price |
|-------------|---------------|-----------------|-----|-------------|------------|
| CAP-PR-9 | 1/8 | .337/.375 | 1/4 | 50 | \$ 0.12 |
| CAP-PR-12 | 1/4 | .436/.475 | 1/4 | 50 | 0.35 |
| CAP-PR-17 | 3/8 | .552/.615 | 3/8 | 50 | 0.20 |
| CAP-PR-22 | 1/2 | .668/.767 | 1/2 | 40 | 0.22 |
| CAP-PR-27X | 3/4 | .878/.977 | 1/2 | 40 | 0.25 |
| CAP-PR-32 | 1 | 1.113/1.212 | 1/2 | 25 | 0.28 |
| CAP-PR-39 | 1-1/4 | 1.505/1.580 | 1/2 | 25 | 0.36 |
| CAP-PR-43 | 1-1/2 | 1.780/1.860 | 1/2 | 20 | 0.40 |
| CAP-PR-50 | 2 | 2.226/2.258 | 1/2 | 20 | 0.50 |

PLASTIC CAP PLUGS



Tapered Caps & Plugs For Misc. Applications

| Part Number | A | B | C | D | E | F | List Price |
|-------------|-------|-------|--------|-------|-------|-------|------------|
| CAP-00 | .180 | .115 | 5/16 | 13/32 | .051 | .118 | \$ 0.25 |
| CAP-0 | .240 | .175 | 3/8 | 3/8 | .109 | .175 | 0.38 |
| CAP-0-X | 0.275 | 0.209 | 7/16 | 3/8 | 0.150 | 0.209 | 0.08 |
| CAP-1 | .302 | .240 | 15/32 | 3/8 | .175 | .240 | 0.27 |
| CAP-1-X | .335 | .265 | 15/32 | 3/8 | .240 | .275 | 0.27 |
| CAP-2 | .365 | .300 | 17/32 | 3/8 | .234 | .301 | 0.27 |
| CAP-3 | .428 | .360 | 19/32 | 3/8 | .299 | .365 | 0.23 |
| CAP-3-X | .460 | .390 | 5/8 | 3/8 | .325 | .396 | 0.27 |
| CAP-4-X | .512 | .447 | 5/8 | 3/8 | .385 | .448 | 0.05 |
| CAP-5 | .547 | .490 | 23/32 | 1/2 | .409 | .485 | 0.05 |
| CAP-5-X | .568 | .500 | 3/4 | 7/16 | .435 | .503 | 0.06 |
| CAP-6 | .620 | .531 | 3/4 | 1/2 | .468 | .555 | 0.05 |
| CAP-6A-X | 0.576 | 0.500 | 0.720 | 0.470 | 0.440 | 0.516 | 0.09 |
| CAP-7 | .675 | .590 | 7/8 | 17/32 | .520 | .605 | 0.06 |
| CAP-7-X | .695 | .610 | 27/32 | 1/5 | .549 | .634 | 0.08 |
| CAP-8 | .728 | .641 | 7/8 | 1/2 | .575 | .665 | 0.06 |
| CAP-8-X | .754 | .675 | 7/8 | 5/8 | .615 | .690 | 0.06 |
| CAP-9-X | .925 | .725 | 1 | 3/4 | .662 | .760 | 0.06 |
| CAP-10 | .848 | .750 | 1-1/32 | 5/8 | .686 | .785 | 0.06 |
| CAP-11 | .910 | .802 | 1-3/32 | 3/4 | .740 | .846 | 0.20 |
| CAP-11-X | .931 | .820 | 1-1/8 | 5/8 | .754 | .868 | 0.06 |
| CAP-12A-X | 0.973 | 0.856 | 1-1/8 | 3/4 | 0.768 | 0.906 | 0.16 |
| CAP-13 | 1.091 | .966 | 1-1/4 | 3/4 | .902 | 1.025 | 0.20 |
| CAP-13-X | 1.145 | 1.002 | 1-5/16 | 3/4 | .938 | 1.079 | 0.08 |
| CAP-14-X | 1.285 | 1.180 | 1-7/16 | 3/4 | 1.105 | 1.215 | 0.63 |
| CAP-16A-X | 1.312 | 1.276 | 1.380 | 0.560 | 1.155 | 1.190 | 0.22 |
| CAP-17A-X | 1.507 | 1.344 | 1-3/4 | 15/16 | 1.282 | 1.450 | 0.24 |
| CAP-18 | 1.680 | 1.560 | 1-7/8 | 3/4 | 1.497 | 1.620 | 0.18 |
| CAP-20 | 1.958 | 1.806 | 2.125 | 1 | 1.745 | 1.893 | 0.69 |
| CAP-20-X | 2.310 | 1.940 | 2.470 | 0.880 | 1.875 | 2.255 | 0.42 |
| CAP-21 | 2.078 | 1.902 | 2-1/4 | 1 | 1.839 | 2.015 | 0.28 |
| CAP-38 | 1.045 | .980 | 1-1/4 | 1/2 | .916 | .984 | 0.27 |
| CAP-220 | 2.132 | 1.980 | 2-1/4 | 1 | 1.915 | 2.068 | 0.28 |
| CAP-230 | 2.330 | 2.156 | 2-5/8 | 1 | 2.094 | 2.264 | 0.78 |
| CAP-240 | 2.465 | 2.300 | 2-5/8 | 1 | 2.235 | 2.400 | 0.36 |
| CAP-250 | 2.605 | 2.395 | 2-5/8 | 1 | 2.331 | 2.541 | 0.38 |

Tapered Caps & Plugs For NPT Style Ports

| Part Number | NPT Port Size | OD Size Tapered | HT | Min Std Pkg | List Price |
|-------------|---------------|-----------------|-------|-------------|------------|
| CAP-2-X | 1/8 | .330/.396 | 3/8 | 50 | \$ 0.08 |
| CAP-4 | 1/4 | .419/.485 | 3/8 | 50 | 0.08 |
| CAP-6-X | 3/8 | .550/.631 | 7/16 | 50 | 0.12 |
| CAP-9 | 1/2 | .690/.788 | 9/16 | 50 | 0.12 |
| CAP-12 | 3/4 | .870/.975 | 5/8 | 120 | 0.06 |
| CAP-12-X | 3/4 | .915/1.040 | 11/16 | 25 | 0.22 |
| CAP-14 | 1 | 1.094/1.215 | 3/4 | 25 | 0.22 |
| CAP-15 | 1 | 1.225/1.355 | 3/4 | 3 | 0.39 |
| CAP-15-X | 1 | 1.235/1.350 | 3/4 | 25 | 0.25 |
| CAP-17 | 1-1/4 | 1.450/1.600 | 3/4 | 60 | 0.12 |
| CAP-17-S | 1-1/4 | 1.513/1.600 | 1/2 | 25 | 0.95 |
| CAP-19 | 1-1/2 | 1.735/1.870 | 3/4 | 25 | 0.39 |
| CAP-20-S | 1-1/2 | 1.781/1.805 | 3/8 | 25 | 0.25 |
| CAP-24-S | 2 | 2.230/2.260 | 1/2 | 20 | 0.31 |

MCAP Tapered Caps & Plugs For Misc. Applications



| Part Number | A mm | B mm | C mm | D mm | E mm | F mm | List Price |
|-------------|-------|-------|-------|-------|-------|-------|------------|
| CAP-M10X1 | 13.00 | 11.35 | 15.88 | 10.32 | 9.78 | 11.38 | \$ 0.05 |
| CAP-M12X1 | 14.43 | 12.70 | 19.05 | 11.11 | 11.05 | 12.78 | 0.06 |
| CAP-M12X1.5 | 14.63 | 12.70 | 18.29 | 11.94 | 11.18 | 13.11 | 0.09 |
| CAP-M14X1.5 | 17.15 | 14.99 | 22.23 | 13.49 | 13.21 | 15.37 | 0.06 |
| CAP-M16X1.5 | 19.15 | 17.15 | 22.23 | 15.88 | 15.62 | 17.53 | 0.06 |
| CAP-M18X1.5 | 21.54 | 19.05 | 26.19 | 15.88 | 17.42 | 19.74 | 0.06 |
| CAP-M20X1.5 | 24.71 | 21.74 | 28.58 | 19.05 | 19.51 | 23.01 | 0.16 |
| CAP-M22X1.5 | 26.42 | 22.73 | 29.37 | 19.05 | 21.13 | 24.77 | 0.22 |
| CAP-M25X1.5 | 29.08 | 25.45 | 33.34 | 19.05 | 23.83 | 27.41 | 0.08 |
| CAP-M26X1.5 | 29.08 | 25.45 | 33.34 | 19.05 | 23.83 | 27.41 | 0.08 |
| CAP-M27 | 31.12 | 29.19 | 38.50 | 19.05 | 26.37 | 29.97 | 0.22 |
| CAP-M28X1.5 | 32.81 | 29.59 | 36.10 | 19.05 | 27.69 | 30.61 | 0.63 |
| CAP-M30X2 | 33.32 | 32.41 | 35.05 | 14.22 | 29.34 | 30.23 | 0.22 |
| CAP-M35 | 38.53 | 34.14 | 44.45 | 23.81 | 32.56 | 36.83 | 0.24 |
| CAP-M39 | 42.49 | 39.62 | 47.63 | 19.05 | 38.02 | 41.15 | 0.18 |
| CAP-M4 | 6.99 | 5.31 | 11.11 | 9.53 | 3.81 | 5.31 | 0.08 |
| CAP-M42X2 | 44.45 | 40.79 | 49.21 | 19.05 | 39.83 | 42.80 | 0.58 |
| CAP-M45 | 49.73 | 45.87 | 53.98 | 25.40 | 44.32 | 48.08 | 0.69 |
| CAP-M48 | 58.67 | 49.28 | 62.74 | 22.35 | 47.63 | 57.28 | 0.42 |
| CAP-M5 | 7.67 | 6.1 | 11.91 | 9.53 | 4.45 | 6.1 | 0.27 |
| CAP-M6 | 8.51 | 6.73 | 11.91 | 9.53 | 5.18 | 6.99 | 0.27 |
| CAP-M8X1 | 10.87 | 9.14 | 15.08 | 9.53 | 7.59 | 9.27 | 0.23 |

PLASTIC CAP PLUGS



**Female Threaded Cap Plugs
for J.I.C. Fittings**

| Part Number | Std Thread Size | O.D. Size Tube | Dash Size | Min Std Pkg | List Price |
|-------------|-----------------|----------------|-----------|-------------|------------|
| CAP-G-2 | 7/16-20 | 1/4 | #4 | 20 | \$ 0.22 |
| CAP-G-8 | 9/16-18 | 3/8 | #6 | 20 | 0.22 |
| CAP-G-14 | 3/4-16 | 1/2 | #8 | 20 | 0.25 |
| CAP-G-18 | 7/8-14 | 5/8 | #10 | 20 | 0.25 |
| CAP-G-20 | 7/8-18 | 5/8 | #10 | 20 | 0.56 |
| CAP-G-22 | 1-1/16-12 | 3/4 | #12 | 20 | 0.31 |
| CAP-G-25 | 1-3/16-12 | 7/8 | #14 | 20 | 0.36 |
| CAP-G-27 | 1-5/16-12 | 1 | #16 | 20 | 0.36 |



Flat Face Fitting Caps

| Part Number | Tube Size OD | Thread Size | Min Std Pkg | List Price |
|-------------|--------------|-------------|-------------|------------|
| CAP-PDF-40 | 1/4 | 9/16-18 | 25 | \$ 0.35 |
| CAP-PDF-60 | 3/8 | 11/16-16 | 25 | 0.31 |
| CAP-PDF-80 | 1/2 | 13/16-16 | 25 | 0.35 |
| CAP-PDF-100 | 5/8 | 1-14 | 20 | 0.37 |
| CAP-PDF-120 | 3/4 | 1-3/16-12 | 20 | 0.45 |
| CAP-PDF-160 | 1 | 1-7/16-12 | 10 | 2.04 |



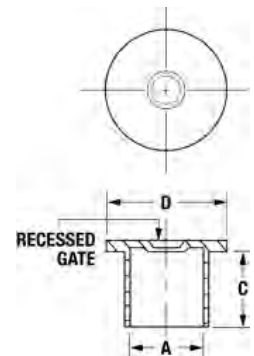
O-Ring Face Fitting Caps

These low density polyethylene caps are designed to fit female o-ring face seals.

| Part Number | Thread Size | Min Std Pkg | List Price |
|-------------|-------------|-------------|------------|
| CAP-OR-4 | 9/16-18 | 35 | \$ 0.23 |
| CAP-OR-6 | 11/16-16 | 25 | 0.25 |
| CAP-OR-8 | 13/16-16 | 25 | 0.28 |
| CAP-OR-10 | 1-14 | 25 | 0.35 |
| CAP-OR-12 | 1-3/16-12 | 25 | 0.37 |
| CAP-OR-16 | 1-7/16-12 | 15 | 0.84 |
| CAP-OR-20 | 1-11/16-12 | 10 | 1.41 |



Unlike tear-tab closures that can only be used once, the CAP-PO series is designed to be reused. Specifically designed to protect straight threads with or without o-rings, this unique design is also ideal for use on a variety of thread forms and non-threaded fittings.



Straight Threaded Cap Plugs

| Part Number | Min Std Pkg | To Cap Thread size | A | C | D | List Price |
|-------------|-------------|--------------------|-------|------|------|------------|
| CAP-PO-20 | 25 | 7/16" | 0.428 | 0.47 | 0.69 | \$ 0.38 |
| CAP-PO-30 | 25 | 1/2" | 0.49 | 0.47 | 0.75 | 0.53 |
| CAP-PO-40 | 25 | 9/16" | 0.55 | 0.50 | 0.81 | 0.56 |
| CAP-PO-50 | 25 | 11/16" | 0.676 | 0.50 | 0.94 | 0.60 |
| CAP-PO-55 | 25 | - | 0.721 | 0.67 | 1.00 | 0.63 |
| CAP-PO-60 | 25 | 3/4" | 0.738 | 0.67 | 1.00 | 0.63 |
| CAP-PO-70 | 25 | 13/16" | 0.802 | 0.56 | 1.06 | 0.66 |
| CAP-PO-80 | 25 | 7/8" | 0.864 | 0.66 | 1.12 | 0.68 |
| CAP-PO-90 | 25 | 1.00" | 0.99 | 0.66 | 1.25 | 0.71 |
| CAP-PO-100 | 15 | 1-1/16" | 1.051 | 0.75 | 1.31 | 0.76 |
| CAP-PO-110 | 15 | 1-3/16" | 1.175 | 0.75 | 1.44 | 0.93 |
| CAP-PO-120 | 15 | 1-5/16" | 1.298 | 0.75 | 1.56 | 1.04 |
| CAP-PO-130 | 15 | 1-7/16" | 1.426 | 0.75 | 1.69 | 1.29 |
| CAP-PO-140 | 10 | 1-5/8" | 1.12 | 0.85 | 1.88 | 1.42 |

**Cap Plug Assortment Kits
Also Available -
See the Kit & Tool Section**

PLASTIC CAP PLUGS



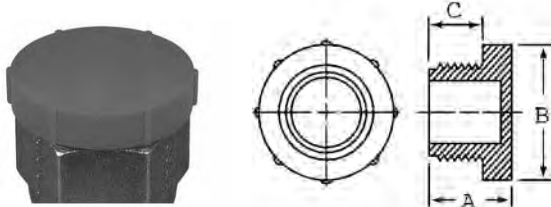
Male Threaded Pipe Plugs (Sq. Top)



Male Threaded Cap Plugs for Flared J.I.C. Fittings

| Part Number | NPT Port Size | Thread Size | Min Std Pkg | List Price |
|-------------|---------------|-------------|-------------|------------|
| CAP-P-18 | 1/8 | 0.364 | 25 | \$ 0.12 |
| CAP-P-28 | 1/4 | 0.477 | 25 | 0.22 |
| CAP-P-38 | 3/8 | 0.612 | 25 | 0.25 |
| CAP-P-48 | 1/2 | 0.758 | 25 | 0.25 |
| CAP-P-68-H | 3/4 | 0.968 | 25 | 0.28 |
| CAP-P-88-H | 1 | 1.214 | 20 | 1.13 |
| CAP-TP-13 | 1-1/4 | 1.557 | 5 | 1.97 |
| CAP-TP-15 | 1-1/2 | 1.796 | 5 | 1.97 |

| Part Number | Std Thread Size | OD Size Tube | Dash Size | Min Std Pkg | List Price |
|-------------|-----------------|--------------|-----------|-------------|------------|
| CAP-PD-40 | 7/16-20 | 1/4 | #4 | 25 | \$ 0.37 |
| CAP-PD-50 | 1/2-20 | 5/16 | #5 | 25 | 0.37 |
| CAP-PD-60 | 9/16-18 | 3/8 | #6 | 25 | 0.22 |
| CAP-PD-80 | 3/4-16 | 1/2 | #8 | 25 | 0.22 |
| CAP-PD-100 | 7/8-14 | 5/8 | #10 | 25 | 0.25 |
| CAP-PD-120 | 1-1/16-12 | 3/4 | #12 | 25 | 0.25 |
| CAP-PD-140 | 1-3/16-12 | 7/8 | #14 | 20 | 0.38 |
| CAP-PD-160 | 1-5/16-12 | 1 | #16 | 20 | 0.38 |
| CAP-PD-200 | 1-5/8-12 | 1-1/4 | #20 | 15 | 0.47 |
| CAP-PD-220 | 1-3/4-12 | 1-3/8 | #22 | 10 | 1.20 |
| CAP-PD-240 | 1-7/8-12 | 1-1/2 | #24 | 10 | 1.08 |



Miscellaneous - MCAP- TP

| Part Number | To Fit Metric Thread Size | A | | B | | C | | Min Std Pkg | List Price |
|-----------------|---------------------------|-------|-------|-------|-------|-------|-------|-------------|------------|
| | | in | mm | in | mm | in | mm | | |
| MCAP-TP-M8X1 | M8 x 1 | 0.562 | 14.27 | 0.484 | 12.29 | 0.374 | 9.50 | 10 | \$ 0.65 |
| MCAP-TP-M10X1 | M10 x 1 | 0.574 | 14.58 | 0.602 | 15.29 | 0.409 | 10.39 | 10 | 0.91 |
| MCAP-TP-M12X1 | M12 x 1 | 0.657 | 16.69 | 0.728 | 18.49 | 0.421 | 10.69 | 10 | 0.97 |
| MCAP-TP-M12X1.5 | M12 x 1.5 | 0.641 | 16.28 | 0.657 | 16.69 | 0.342 | 8.69 | 10 | 1.12 |
| MCAP-TP-M14X1.5 | M14 x 1.5 | 0.677 | 17.20 | 0.728 | 18.49 | 0.374 | 9.50 | 10 | 1.19 |
| MCAP-TP-M16X1.5 | M16 x 1.5 | 0.677 | 17.20 | 0.866 | 22.00 | 0.492 | 12.50 | 10 | 1.16 |
| MCAP-TP-M18X1.5 | M18 x 1.5 | 0.720 | 18.29 | 0.960 | 24.38 | 0.539 | 13.69 | 10 | 1.22 |
| MCAP-TP-M20X1.5 | M20 x 1.5 | 0.716 | 18.19 | 1.035 | 26.29 | 0.551 | 14.00 | 10 | 1.16 |
| MCAP-TP-M22X1.5 | M22 x 1.5 | 0.720 | 18.29 | 1.110 | 28.19 | 0.539 | 13.69 | 10 | 1.16 |
| MCAP-TP-M24X1.5 | M24 x 1.5 | 0.728 | 18.49 | 1.232 | 31.29 | 0.543 | 13.79 | 10 | 1.34 |
| MCAP-TP-M25X1.5 | M25 x 1.5 | 0.728 | 18.49 | 1.232 | 31.30 | 0.551 | 14.00 | 5 | 1.47 |
| MCAP-TP-M26X1.5 | M26 x 1.5 | 0.736 | 18.69 | 1.287 | 32.69 | 0.543 | 13.79 | 5 | 1.49 |
| MCAP-TP-M52X1.5 | M52 x 1.5 | 0.846 | 21.50 | 2.508 | 63.70 | 0.610 | 15.50 | 5 | 1.68 |

REPAIR ACCESSORIES

PLASTIC CAP PLUGS



These low density polyethylene caps protect the faces of split flange connectors

Split Flange Coupling Caps - SAE CODE 61

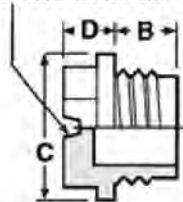
| Part Number | Flange Size | Cap Size | Min Std Pkg | List Price |
|-------------|-------------|----------|-------------|------------|
| CAP-SF-8 | 1/2 | 1.19 | 50 | \$ 0.12 |
| CAP-SF-10 | 5/8 | 1.35 | 50 | 0.18 |
| CAP-SF-12 | 3/4 | 1.50 | 50 | 0.20 |
| CAP-SF-16 | 1 | 1.75 | 35 | 0.22 |
| CAP-SF-20 | 1-1/4 | 2.00 | 35 | 0.23 |
| CAP-SF-24 | 1-1/2 | 2.38 | 25 | 0.36 |
| CAP-SF-32 | 2 | 2.81 | 15 | 0.48 |
| CAP-SF-40 | 2-1/2 | 3.31 | 15 | 0.68 |

Split Flange Coupling Caps - SAE CODE 62

| Part Number | Flange Size | Cap Size | Min Std Pkg | List Price |
|-------------|-------------|----------|-------------|------------|
| CAP-HPSF-8 | 1/2 | 1.25 | 10 | \$ 1.21 |
| CAP-HPSF-12 | 3/4 | 1.625 | 10 | 1.26 |
| CAP-HPSF-16 | 1 | 1.87 | 10 | 1.29 |
| CAP-HPSF-20 | 1-1/4 | 2.125 | 10 | 1.34 |
| CAP-HPSF-24 | 1-1/2 | 2.5 | 10 | 1.62 |
| CAP-HPSF-32 | 2 | 3.125 | 10 | 1.62 |



SCREWDRIVER SLOT



Threaded O-Ring Plugs

| Part Number | Std Thread Size | B | C | D | Min Std Pkg | List Price |
|--------------|-----------------|------|------|------|-------------|------------|
| CAP-TF-9-OR | 9/16-18 | 0.35 | 0.81 | 0.19 | 10 | \$ 1.46 |
| CAP-TF-12-OR | 3/4-16 | 0.44 | 0.89 | 0.18 | 10 | 1.54 |

BOLTED SPLIT FLANGE PROTECTORS



3,000 PSI Flanges
SAE Code 61

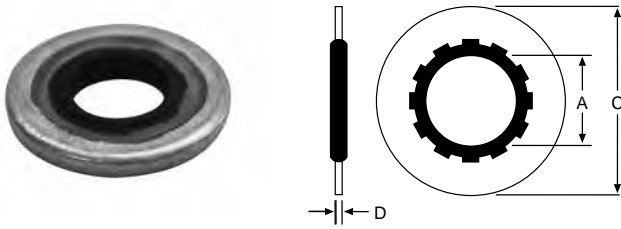
| Part Number | Port Size | Min Std Pkg | List Price |
|-------------|-----------|-------------|------------|
| CAP-8218 | 1/2 | 10 | \$ 1.46 |
| CAP-8219 | 3/4 | 10 | 1.49 |
| CAP-8220 | 1 | 10 | 1.60 |
| CAP-8221 | 1-1/4 | 10 | 1.70 |
| CAP-8222 | 1-1/2 | 10 | 1.80 |
| CAP-8223 | 2 | 10 | 1.99 |
| CAP-8224 | 2-1/2 | 10 | 1.99 |

5,000 PSI Flanges
SAE Code 62

| Part Number | Port Size | Min Std Pkg | List Price |
|-------------|-----------|-------------|------------|
| CAP-XP-075 | 3/4 | 10 | \$ 1.49 |
| CAP-XP-100 | 1 | 10 | 1.60 |
| CAP-XP-125 | 1-1/4 | 10 | 1.70 |
| CAP-XP-150 | 1-1/2 | 10 | 1.80 |
| CAP-XP-200 | 2 | 10 | 1.99 |

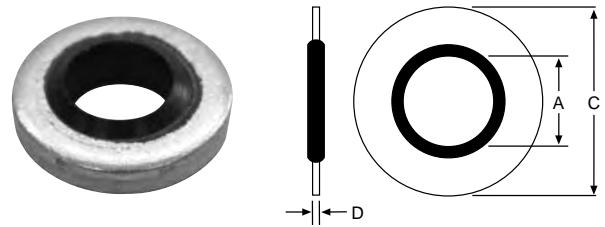
**Cap Plug Assortment Kits
Also Available -
See the Kit & Tool Section**

STYLE 110 FACE SEALS



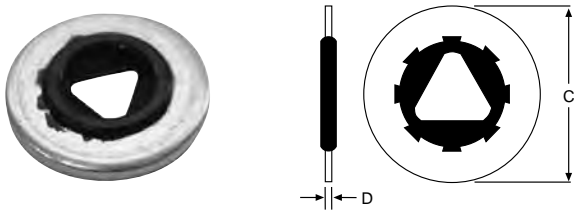
| Part Number | Max Screw Size | A Rubber I.D. | B Steel I.D. | C Steel O.D. | D Steel Thick. | List Price |
|-------------|----------------|---------------|--------------|--------------|----------------|------------|
| DY-110X8 | .164 | .156 | .255 | .385 | .041 | \$ 1.38 |
| DY-110X10 | .177 | .180 | .317 | .443 | .050 | 1.91 |
| DY-110X3/16 | .190 | .220 | .281 | .425 | .054 | 3.75 |
| DY-110X7/32 | .216 | .246 | .307 | .455 | .054 | 13.23 |
| DY-110X1/4 | .250 | .240 | .381 | .505 | .054 | 2.21 |
| DY-110X5/16 | .312 | .301 | .488 | .603 | .054 | 2.21 |
| DY-110X3/8 | .375 | .368 | .546 | .666 | .054 | 2.21 |
| DY-110X7/16 | .437 | .427 | .618 | .760 | .054 | 5.66 |
| DY-110X1/2 | .500 | .490 | .696 | .880 | .054 | 6.28 |
| DY-110X9/16 | .562 | .552 | .759 | 1.067 | .054 | 6.28 |
| DY-110X5/8 | .625 | .615 | .818 | 1.193 | .054 | 7.69 |

STYLE SB FACE SEALS



| Part Number | A | C | D | List Price |
|-------------|-------|-------|------|------------|
| DY-SB-001 | .115 | .250 | .048 | \$ 1.93 |
| DY-SB-002 | .157 | .286 | .048 | 1.93 |
| DY-SB-003 | .205 | .330 | .051 | 1.50 |
| DY-SB-004 | .270 | .520 | .051 | 1.50 |
| DY-SB-005 | .270 | .525 | .048 | 2.13 |
| DY-SB-006 | .322 | .525 | .048 | 2.13 |
| DY-SB-007 | .340 | .560 | .051 | 1.54 |
| DY-SB-020A | .408 | .625 | .083 | 1.64 |
| DY-SB-008 | .443 | .723 | .083 | 1.64 |
| DY-SB-009 | .460 | .750 | .083 | 1.66 |
| DY-SB-225 | .531 | .866 | .059 | 1.70 |
| DY-SB-021B | .541 | .810 | .083 | 1.66 |
| DY-SB-010 | .585 | .875 | .083 | 1.81 |
| DY-SB-022BB | .625 | .875 | .083 | 1.83 |
| DY-SB-011 | .650 | 1.000 | .083 | 1.86 |
| DY-SB-023C | .680 | .937 | .083 | 1.89 |
| DY-SB-012 | .715 | 1.000 | .097 | 1.89 |
| DY-SB-024CC | .775 | 1.060 | .097 | 2.08 |
| DY-SB-025D | .848 | 1.125 | .097 | 2.34 |
| DY-SB-026E | .925 | 1.250 | .097 | 2.57 |
| DY-SB-013 | .955 | 1.310 | .097 | 4.49 |
| DY-SB-027F | 1.065 | 1.375 | .097 | 3.12 |
| DY-SB-240 | 1.083 | 1.417 | .07 | 3.19 |
| DY-SB-028 | 1.095 | 1.520 | .097 | 4.05 |
| DY-SB-014 | 1.150 | 1.440 | .092 | 4.43 |
| DY-SB-029G | 1.213 | 1.500 | .097 | 4.71 |
| DY-SB-015 | 1.280 | 1.630 | .128 | 5.06 |
| DY-SB-031 | 1.329 | 1.685 | .092 | 5.56 |
| DY-SB-030H | 1.334 | 1.685 | .133 | 4.75 |
| DY-SB-016 | 1.410 | 1.750 | .133 | 10.9 |
| DY-SB-032J | 1.690 | 2.062 | .103 | 9.10 |
| DY-SB-033K | 1.907 | 2.307 | .103 | 10.55 |
| DY-SB-019 | 2.030 | 2.500 | .128 | 16.54 |
| DY-SB-034 | 2.161 | 2.750 | .133 | 17.82 |
| DY-SB-036 | 2.385 | 2.875 | .133 | 14.90 |
| DY-SB-038 | 2.625 | 3.130 | .133 | 23.91 |
| DY-SB-039 | 2.995 | 3.550 | .133 | 26.80 |

THREAD SEAL



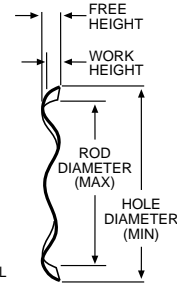
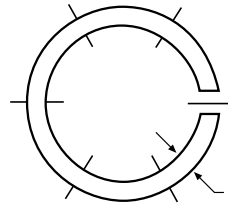
Thread seals provide a positive seal directly against the threads of a bolt. Self-centering and easily installed.

| Part Number | C | D | Thread Size | List Price |
|-------------|-------|------|-------------|------------|
| TS7500X10 | .469 | .051 | -10 | \$ 2.88 |
| TS7500X1/4 | .562 | .051 | 1/4 | 2.88 |
| TS7500X5/16 | .687 | .064 | 5/16 | 3.59 |
| TS7500X3/8 | .750 | .064 | 3/8 | 3.74 |
| TS7500X7/16 | .906 | .078 | 7/16 | 5.24 |
| TS7500X1/2 | 1.000 | .078 | 1/2 | 11.56 |
| TS7500X7/8 | 1.562 | .109 | 7/8 | 18.92 |

REPAIR ACCESSORIES

WAVE SPRINGS

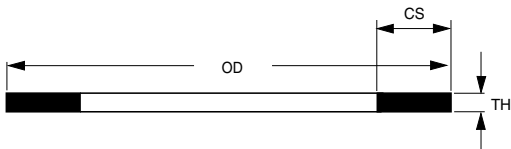
Wave Springs offer a convenient method of exerting a pre-load on vee packing where little or no adjustment is available. Because of a low fatigue factor, the spring should provide a proper pre-load throughout the life of the packing.



| Part Number | WORK HEIGHT | FREE HEIGHT | E ROD DIAMETER | HOLE DIAMETER | RADIAL WALL | List Price |
|-------------|-------------|-------------|----------------|---------------|-------------|------------|
| SSR-0125 | .078 | .150 | .960 | 1.250 | .133 | \$4.53 |
| SSR-0150 | .078 | .170 | 1.170 | 1.500 | .143 | 4.81 |
| SSR-0175 | .078 | .140 | 1.440 | 1.750 | .143 | 4.81 |
| SSR-0187 | .078 | .150 | 1.560 | 1.875 | .143 | 4.81 |
| SSR-0200 | .093 | .140 | 1.680 | 2.000 | .150 | 5.23 |
| SSR-0225 | .093 | .170 | 1.930 | 2.250 | .150 | 5.53 |
| SSR-0237 | .093 | .160 | 1.990 | 2.375 | .178 | 5.71 |
| SSR-0250 | .093 | .170 | 2.120 | 2.500 | .178 | 6.00 |
| SSR-0262 | .093 | .190 | 2.240 | 2.625 | .178 | 6.00 |
| SSR-0275 | .109 | .170 | 2.340 | 2.750 | .188 | 6.60 |
| SSR-0300 | .109 | .190 | 2.590 | 3.000 | .188 | 7.06 |
| SSR-0312 | .109 | .210 | 2.710 | 3.120 | .188 | 7.00 |
| SSR-0325 | .109 | .200 | 2.750 | 3.250 | .233 | 7.59 |
| SSR-0350 | .109 | .230 | 3.000 | 3.500 | .233 | 14.15 |
| SSR-0362 | .109 | .240 | 3.120 | 3.625 | .233 | 14.42 |
| SSR-0375 | .109 | .260 | 3.250 | 3.750 | .233 | 8.91 |
| SSR-0425 | .109 | .210 | 3.740 | 4.250 | .233 | 28.08 |
| SSR-0462 | .109 | .230 | 4.125 | 4.625 | .233 | 10.96 |
| SSR-0512 | .125 | .340 | 4.610 | 5.125 | .233 | 39.31 |

CARBON STEEL SHIMS

These carbon steel shims are commonly used with vee packing sets to fill the empty space in a gland.



| Part Number | A Nom. ID | B Nom. OD | C Nom. Ht | RADIAL WALL | List Price |
|-------------|--------------|--------------|--------------|-------------|------------|
| SSRS-0150 | 1.2 | 1-1/2 | .024 | .150 | \$1.93 |
| SSRS-0175 | 1.45 | 1-3/4 | .024 | .150 | 1.93 |
| SSRS-0200 | 1.7 | 2 | .024 | .150 | 2.69 |
| SSRS-0237 | 2.019 | 2-3/8 | .024 | .178 | 4.02 |
| SSRS-0312 | 2.749 | 3-1/8 | .03 | .188 | 2.57 |
| SSRS-0375 | 3.284 | 3-3/4 | .03 | .233 | 3.03 |

REPAIR ACCESSORIES

GRADE C LOCKNUTS

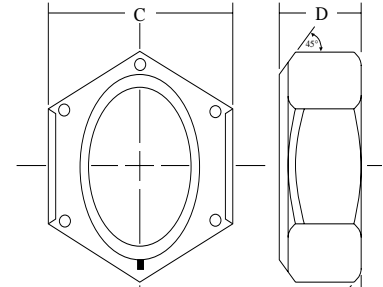
These fine-threaded Grade C locknuts are formed from medium carbon, heat-treated steel and are designed to be used with a Grade 8 bolt. Smaller size locknuts employ an automation style collar while the larger ones use a full collar design. Both locknut types are stocked with cadmium and wax plating.

Automation Style

| Part Number | Size | Thread Pitch | C Width Across Flats | | D Overall Thickness | | List Price |
|-------------|------|--------------|----------------------|-------|---------------------|-------|------------|
| | | | Max | Min | Max | Min | |
| LN-1/2-13 | 1/2 | 13 | 0.7500 | 0.736 | 0.510 | 0.490 | \$ 0.95 |
| LN-1/2-20 | 1/2 | 20 | 0.752 | 0.741 | 0.609 | 0.579 | 0.57 |
| LN-1-14 | 1 | 14 | 1.5020 | 1.450 | 0.887 | 0.831 | 4.72 |
| LN-3/4-16 | 3/4 | 16 | 1.1250 | 1.088 | 0.665 | 0.617 | 2.84 |
| LN-5/8-18 | 5/8 | 18 | 0.9375 | 0.922 | 0.645 | 0.621 | 1.36 |
| LN-7/8-14 | 7/8 | 14 | 1.3145 | 1.269 | 0.922 | 0.724 | 3.76 |
| LN-7/16-20 | 7/16 | 20 | 0.627 | 0.616 | 0.468 | 0.438 | 2.44 |



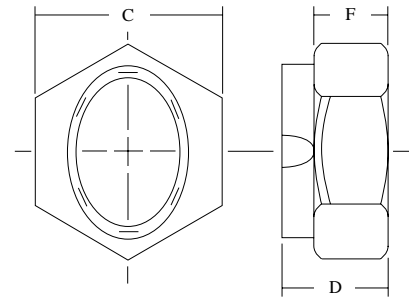
Automation Style



Full Collar Style

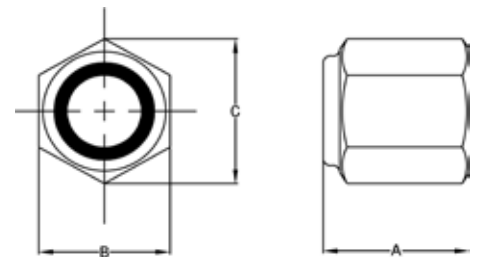
| Part Number | Size | Thread Pitch | C Width Across Flats | | D Overall Thickness | | F Hex Height | | List Price |
|-------------|-------|--------------|----------------------|-------|---------------------|-------|--------------|-------|------------|
| | | | Max | Min | Max | Min | Max | Min | |
| LN-1-1/2-12 | 1-1/2 | 12 | 2.250 | 2.175 | 1.317 | 1.246 | 0.885 | 0.843 | \$ 25.01 |
| LN-1-1/4-12 | 1-1/4 | 12 | 1.876 | 1.812 | 1.094 | 1.030 | 0.719 | 0.698 | 15.09 |
| LN-1-1/8-12 | 1-1/8 | 12 | 1.687 | 1.631 | 0.999 | 0.939 | 0.657 | 0.636 | 12.21 |
| LN-1-3/4-12 | 1-3/4 | 12 | 2.625 | 2.538 | 1.540 | 1.460 | 1.012 | 0.989 | 45.85 |
| LN-1-3/8-12 | 1-3/8 | 12 | 2.062 | 1.994 | 1.206 | 1.138 | 0.795 | 0.771 | 22.37 |
| LN-2-12 | 2 | 12 | 3.000 | 2.900 | 1.763 | 1.675 | 1.158 | 1.134 | 101.61 |
| LN-2-1/2-12 | 2-1/2 | 12 | 3.750 | 3.625 | 2.193 | 2.089 | 1.930 | 1.840 | 122.83 |

Full Collar Style



| Part Number | Bar Size | A | B | C | List Price |
|-------------|-----------|------|------|------|------------|
| CM-LN45050 | 1/2"-20 | 0.60 | 0.75 | 0.84 | \$ 4.35 |
| CM-LN45062 | 5/8"-18 | 0.75 | 0.94 | 1.06 | 5.19 |
| CM-LN45075 | 3/4"-16 | 0.88 | 1.06 | 1.19 | 18.94 |
| CM-LN45087 | 7/8"-14 | 1.00 | 1.25 | 1.40 | 10.43 |
| CM-LN45100 | 1"-14 | 1.06 | 1.44 | 1.62 | 14.13 |
| CM-LN45101 | 1"-14 | 0.88 | 1.62 | 1.83 | 16.83 |
| CM-LN45112 | 1-1/8"-12 | 1.19 | 1.62 | 1.83 | 19.39 |
| CM-LN45126 | 1-1/4"-12 | 1.38 | 1.81 | 2.06 | 22.55 |
| CM-LN45151 | 1-1/2"-12 | 1.62 | 2.19 | 2.44 | 29.62 |
| CM-LN45152 | 1-1/2"-12 | 0.81 | 2.19 | 2.44 | 23.26 |
| CM-LN45175 | 1-3/4"-12 | 1.50 | 2.75 | 3.06 | 57.00 |
| CM-LN45200 | 2"-12 | 1.62 | 3.12 | 3.50 | 60.85 |
| CM-LN45225 | 2-1/4"-12 | 1.94 | 3.50 | 3.94 | 129.57 |
| CM-LN45226 | 2-1/4"-12 | 2.81 | 3.50 | 3.94 | 177.41 |
| CM-LN45250 | 2-1/2"-12 | 2.25 | 4.00 | 4.50 | 280.94 |

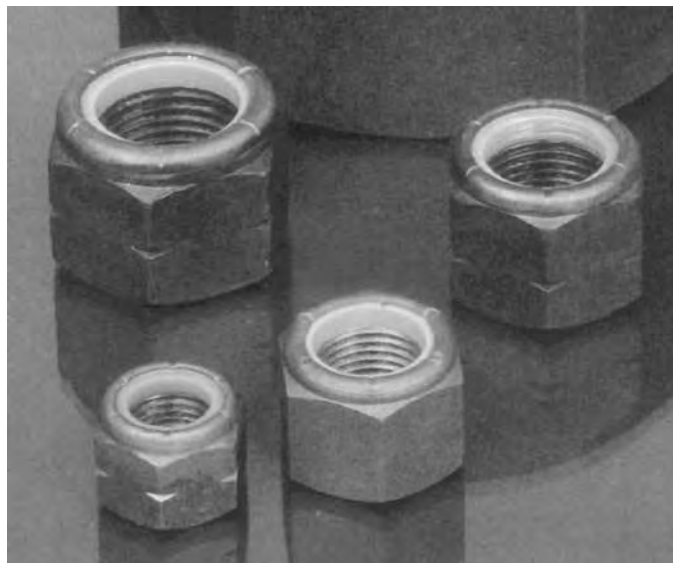
Nylon Insert Lock Nut



“NYLON INSERT” LOCKING NUTS

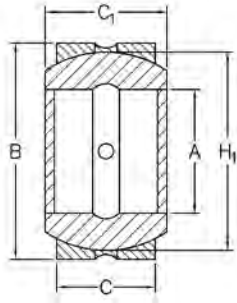
Manufactured from the finest quality steel to offer superior strength, Hercules® Sealing Products locking nuts with nylon inserts are specifically designed and manufactured to exact dimensions. The high temperature locking inserts are designed to withstand the high temperatures associated with close tolerance performance applications.

| Part Number | Thread Size & Pitch | Height | Flats | List Price |
|-------------|---------------------|---------|--------|------------|
| CTC-2J0564 | 2 - 12 | 1-5/8 | 3-1/8 | \$ 60.85 |
| CTC-2J3247 | 1-3/4 - 12 | 1-7/16 | 2-3/4 | 57.00 |
| CTC-2J3950 | 1-1/2 - 12 | 1-5/16 | 2-3/8 | 39.19 |
| CTC-2J6384 | 1-1/4 - 12 | 1-1/8 | 2 | 34.92 |
| CTC-2J7686 | 2-1/2 - 12 | 2-3/16 | 4 | 280.94 |
| CTC-3J6899 | 2-1/4 - 12 | 2-13/16 | 3-1/2 | 177.41 |
| CTC-3J9449 | 2-1/2 - 12 | 2-5/8 | 4 | 262.58 |
| CTC-3J9545 | 2 - 12 | 2-7/16 | 3-1/8 | 163.29 |
| CTC-4J6888 | 2-3/4 - 12 | 2-1/4 | 4 | 165.98 |
| CTC-4J8734 | 2-3/4 - 12 | 3-1/8 | 4 | 317.35 |
| CTC-5J3488 | 2-1/4 - 12 | 1-15/16 | 3-1/2 | 129.57 |
| CTC-5J5731 | 1-3/4 - 12 | 1-7/16 | 2-1/2 | 46.80 |
| CTC-7J9250 | 3-1/4 - 12 | 3-1/8 | 4-1/2 | 339.36 |
| CTC-9X6018 | 4 - 12 | 3.73 | 5.62 | 712.30 |
| CTC-1438149 | M48 x 2 | 50 mm | 75 mm | 151.72 |
| CTC-1438150 | M56 x 2 | 56 mm | 85 mm | 159.44 |
| CTC-1336686 | M56 x 2 | 57 mm | 80 mm | 174.34 |
| CTC-1475835 | M64 x 2 | 63 mm | 95 mm | 214.32 |
| CTC-7Y4622 | M72 x 2 | 70 mm | 105 mm | 396.59 |
| CTC-7Y4695 | M80 x 2 | 76 mm | 115 mm | 379.34 |
| CTC-1232060 | M80 x 2 | 64 mm | 115 mm | 268.94 |
| CTC-1232112 | M90 x 2 | 76 mm | 130 mm | 476.02 |
| CTC-7Y4956 | M90 x 2 | 84 mm | 130 mm | 454.24 |
| CTC-0875385 | M95 x 2 | 88 mm | 135 mm | 565.72 |
| CTC-1261971 | M100 x 2 | 89 mm | 146 mm | 1085.51 |
| CTC-1163513 | M105 x 2 | 97 mm | 150 mm | 976.76 |
| CTC-1163516 | M120 x 2 | 108 mm | 170 mm | 1080.48 |



* Grade N8 (Grade C equivalent) or non-heat treated micro-alloy steel.

STYLE HH SELF ALIGNING BEARINGS (INCH)



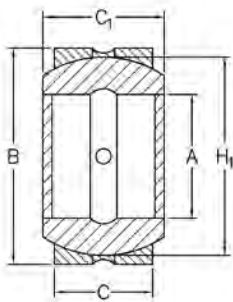
SEAL INFORMATION

MATERIAL

CARBON
CHROMIUM STEELSUFFIX:
2RS = SEALED BEARINGS

| Part Number | A Nom. ID | B Nom. OD | C Nom. Ht | C ₁ OVERALL HEIGHT | G HOUSING DIAMETER | H ₁ BEARING GROOVE DIAMETER | Static Radial Load (lbs) | Dynamic Radial Load (lbs) | MATERIAL | List Price |
|-------------|--------------|--------------|--------------|----------------------------------|--|---|--------------------------------|---------------------------------|----------|---------------|
| HH008ES | 1/2 | 7/8 | 3/8 | .437 | .875 ^{+0.000} _{-.0008} | .709 | 9337 | 3156 | STEEL | \$22.30 |
| HH010ES | 5/8 | 1-1/16 | 15/32 | .547 | 1.0625 ^{+0.000} _{-.0008} | .899 | 14732 | 4864 | STEEL | 24.53 |
| HH012ES | 3/4 | 1-1/4 | 9/16 | .656 | 1.250 ^{+0.000} _{-.001} | 1.083 | 20927 | 7089 | STEEL | 23.06 |
| HH100ES | 1 | 1-5/8 | 3/4 | .875 | 1.625 ^{+0.000} _{-.001} | 1.417 | 37359 | 12605 | STEEL | 20.08 |
| HHW100ES | 1 | 1-5/8 | 1-1/2 | 1.500 | 1.625 ^{+0.000} _{-.001} | 1.417 | 37351 | 12604 | STEEL | 25.19 |
| HH104ES | 1-1/4 | 2 | 15/16 | 1.093 | 2.000 ^{+0.000} _{-.0012} | 1.772 | 58507 | 19468 | STEEL | 28.98 |
| HH106ES | 1-3/8 | 2-3/16 | 1-1/32 | 1.187 | 2.1875 ^{+0.000} _{-.0012} | 1.929 | 69756 | 23404 | STEEL | 43.86 |
| HH108ES | 1-1/2 | 2-7/16 | 1-1/8 | 1.312 | 2.4375 ^{+0.000} _{-.0012} | 2.165 | 84379 | 28129 | STEEL | 37.92 |
| HH108ES2RS | 1-1/2 | 2-7/16 | 1-1/8 | 1.312 | 2.4375 ^{+0.000} _{-.0012} | 2.165 | 84379 | 28129 | STEEL | 50.54 |
| HH112ES | 1-3/4 | 2-13/16 | 1-5/16 | 1.531 | 2.8125 ^{+0.000} _{-.0012} | 2.520 | 114752 | 38255 | STEEL | 52.05 |
| HH112ES2RS | 1-3/4 | 2-13/16 | 1-5/16 | 1.531 | 2.8125 ^{+0.000} _{-.0012} | 2.520 | 114752 | 38255 | STEEL | 65.41 |
| HH200ES | 2 | 3-3/16 | 1-1/2 | 1.750 | 3.1875 ^{+0.000} _{-.0014} | 2.874 | 150754 | 50408 | STEEL | 70.63 |
| HH200ES2RS | 2 | 3-3/16 | 1-1/2 | 1.750 | 3.1875 ^{+0.000} _{-.0014} | 2.874 | 150754 | 50408 | STEEL | 84.76 |
| HHW200ES | 2 | 3-3/16 | 3 | 3.000 | 3.1875 ^{+0.000} _{-.0014} | 2.874 | 150757 | 50406 | STEEL | 80.00 |
| HH204ES | 2-1/4 | 3-9/16 | 1-11/16 | 1.969 | 3.5625 ^{+0.000} _{-.0014} | 3.228 | 191251 | 63002 | STEEL | 96.65 |
| HH204ES2RS | 2-1/4 | 3-9/16 | 1-11/16 | 1.969 | 3.5625 ^{+0.000} _{-.0014} | 3.228 | 191251 | 63002 | STEEL | 131.90 |
| HH208ES | 2-1/2 | 3-15/16 | 1-7/8 | 2.187 | 3.9375 ^{+0.000} _{-.0014} | 3.583 | 234007 | 77629 | STEEL | 130.87 |
| HH212ES | 2-3/4 | 4-3/8 | 2-1/16 | 2.406 | 4.375 ^{+0.000} _{-.0014} | 3.937 | 285752 | 95628 | STEEL | 153.66 |
| HH300ES | 3 | 4-3/4 | 2-1/4 | 2.625 | 4.750 ^{+0.000} _{-.0016} | 4.331 | 337506 | 112505 | STEEL | 230.48 |
| HH300ES2RS | 3 | 4-3/4 | 2-1/4 | 2.625 | 4.750 ^{+0.000} _{-.0016} | 4.331 | 337506 | 112505 | STEEL | 274.65 |
| HH308ES | 3-1/2 | 5-1/2 | 2-5/8 | 3.062 | 5.500 ^{+0.000} _{-.0016} | 5.039 | 459001 | 153003 | STEEL | 408.93 |
| HH308ES2RS | 3-1/2 | 5-1/2 | 2-5/8 | 3.062 | 5.500 ^{+0.000} _{-.0016} | 5.039 | 459001 | 153003 | STEEL | 453.55 |
| HH312ES | 3-3/4 | 5-7/8 | 2-13/16 | 3.281 | 5.875 ^{+0.000} _{-.0016} | 5.394 | 531004 | 175507 | STEEL | 441.64 |
| HH400ES | 4 | 6-1/4 | 3 | 3.500 | 6.250 ^{+0.000} _{-.0016} | 5.748 | 596256 | 202508 | STEEL | 596.28 |

STYLE MHH SELF ALIGNING BEARINGS (METRIC)



| SEAL INFORMATION | |
|------------------|-----------------------|
| MATERIAL | CARBON CHROMIUM STEEL |

SUFFIX:
2RS = SEALED BEARINGS

| Part Number | A Nom. ID | B Nom. OD | C Nom. Ht | C ₁ OVERALL HEIGHT | G HOUSING DIAMETER | H ₁ BEARING GROOVE DIAMETER | Static Radial Load (lbs) | Dynamic Radial Load (lbs) | List Price |
|-------------|--------------|--------------|--------------|----------------------------------|--|---|--------------------------|---------------------------|------------|
| MHH20ES | 20 | 35 | 12 | 16.00 | 35.00 ^{+0.000} _{-0.025} | 29.00 | 32857 | 6759 | \$28.13 |
| MHH25ES | 25 | 42 | 16 | 20.00 | 42.00 ^{+0.000} _{-0.025} | 35.50 | 54003 | 10804 | 35.02 |
| MHH25ES2RS | 25 | 42 | 16 | 20.00 | 42.00 ^{+0.000} _{-0.025} | 35.50 | 54003 | 10804 | 32.69 |
| MHH30ES | 30 | 47 | 18 | 22.00 | 47.00 ^{+0.000} _{-0.025} | 40.70 | 69751 | 13951 | 37.07 |
| MHH30ES2RS | 30 | 47 | 18 | 22.00 | 47.00 ^{+0.000} _{-0.025} | 40.70 | 69751 | 13951 | 46.38 |
| MHH35ES | 35 | 55 | 20 | 25.00 | 55.00 ^{+0.00} _{-0.03} | 47.00 | 90008 | 18009 | 48.03 |
| MHH35ES2RS | 35 | 55 | 20 | 25.00 | 55.00 ^{+0.00} _{-0.03} | 47.00 | 90008 | 18009 | 46.38 |
| MHH40ES | 40 | 62 | 22 | 28.00 | 62.00 ^{+0.00} _{-0.03} | 53.00 | 112507 | 22501 | 53.00 |
| MHH40ES2RS | 40 | 62 | 22 | 28.00 | 62.00 ^{+0.00} _{-0.03} | 53.00 | 112507 | 22501 | 45.49 |
| MHH45ES2RS | 45 | 68 | 25 | 32.00 | 68.00 ^{+0.00} _{-0.03} | 60.00 | 144009 | 28578 | 81.84 |
| MHH50ES | 50 | 75 | 28 | 35.00 | 75.00 ^{+0.00} _{-0.03} | 66.00 | 175509 | 35109 | 77.41 |
| MHH50ES2RS | 50 | 75 | 28 | 35.00 | 75.00 ^{+0.00} _{-0.03} | 66.00 | 175509 | 35109 | 150.86 |
| MHH60ES | 60 | 90 | 36 | 44.00 | 90.00 ^{+0.000} _{-0.035} | 80.00 | 274509 | 55128 | 119.55 |
| MHH70ES2RS | 70 | 105 | 30 | 49.00 | 105.00 ^{+0.000} _{-0.035} | 92.00 | 351007 | 70876 | 150.86 |
| MHH70ES | 70 | 105 | 40 | 49.00 | 105.00 ^{+0.000} _{-0.035} | 92.00 | 351007 | 70876 | 179.23 |
| MHH80ES | 80 | 120 | 45 | 55.00 | 120.00 ^{+0.000} _{-0.035} | 105.00 | 450005 | 90008 | 195.63 |

REPAIR ACCESSORIES

SET SCREWS



These set screws are used on many cylinder headnuts. Use nylon plugs to ensure no damage to the headnut threads. All set screws employ Allen wrench heads.

| Part Number | Thread Size | Length | List Price |
|-----------------|-------------|--------|------------|
| SS-1/4-20X1/2 | 1/4-20 | 1/2 | \$ 1.01 |
| SS-1/4-20X3/8 | 1/4-20 | 3/8 | 1.19 |
| SS-1/4-28X1/4 | 1/4-28 | 1/4 | 0.96 |
| SS-1/4-28X3/8 | 1/4-28 | 3/8 | 0.96 |
| SS-5/16-18X1/4 | 5/16-18 | 1/4 | 0.96 |
| SS-5/16-18X3/8 | 5/16-18 | 3/8 | 0.96 |
| SS-5/16-18X3/4 | 5/16-18 | 3/4 | 1.29 |
| SS-5/16-24X5/16 | 5/16-24 | 5/16 | 0.41 |
| SS-5/16-24X3/8 | 5/16-24 | 3/8 | 1.29 |
| SS-3/8-16X3/8 | 3/8-16 | 3/8 | 0.72 |
| SS-3/8-16X1/2 | 3/8-16 | 1/2 | 1.01 |
| SS-3/8-16X5/8 | 3/8-16 | 5/8 | 1.25 |
| SS-3/8-16X7/8 | 3/8-16 | 7/8 | 1.44 |
| SS-1/2-13X1/2 | 1/2-13 | 1/2 | 1.69 |
| SS-1/2-13X5/8 | 1/2-13 | 5/8 | 1.96 |
| SS-#8-32X1/4 | #8-32 | 1/4 | 2.27 |
| SS-#10-24X1/4 | #10-24 | 1/4 | 0.96 |

NYLON PLUGS



These nylon plugs are used with headnut set screws to ensure that there is no damage to the headnut threads.

| Part Number | Diameter | Length | List Price |
|---------------------|----------|--------|------------|
| NYPLUG-125-125 | 1/8 | 1/8 | 0.66 |
| NYPLUG-125-156 | 1/8 | 5/32 | 0.66 |
| NYPLUG-125-875 | 1/8 | 7/8 | 0.46 |
| NYPLUG-187-109 | 3/16 | 7/64 | 0.47 |
| NYPLUG-187-187 | 3/16 | 3/16 | 0.66 |
| NYPLUG-187-250 | 3/16 | 1/4 | 0.67 |
| NYPLUG-250-070 | 1/4 | 0.070 | 0.81 |
| NYPLUG-250-125 | 1/4 | 1/8 | 0.66 |
| NYPLUG-250-187 | 1/4 | 3/16 | 0.66 |
| NYPLUG-250-250 | 1/4 | 1/4 | 0.55 |
| NYPLUG-312-125 | 5/16 | 1/8 | 0.66 |
| NYPLUG-312-250 | 5/16 | 1/4 | 2.02 |
| NYPLUG-312-312 | 5/16 | 5/16 | 1.90 |
| NYPLUG-375-250 | 3/8 | 1/4 | 0.66 |
| NYPLUG-500-875-125H | 1/2 | 7/8 | 4.96 |

WIND-IN LOCK WIRES



| Part Number | Thickness | Length | List Price |
|--------------|-----------|--------|------------|
| LW-093-1262 | 3/32 sq. | 12-5/8 | \$ 27.42 |
| MARION-35240 | 1/8 sq. | 10-1/4 | 12.67 |
| MARION-35250 | 1/8 sq. | 13-3/8 | 11.94 |
| MARION-35260 | 1/8 sq. | 16-3/8 | 12.16 |
| MARION-35270 | 1/8 sq. | 19-1/4 | 13.97 |
| MARION-1031 | 3/16 sq. | 21.00 | 18.61 |
| 1/8 RD WIRE | 1/8 round | 11 | 2.27 |

FILTER VENT PLUGS



These plugs are used to allow air to pass in and out of the non-pressurized end of a single-acting cylinder.

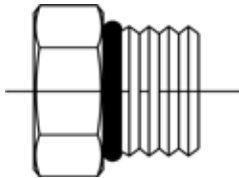
| Part Number | NPT Port Size | List Price |
|-------------|---------------|------------|
| FV-.125 | 1/8 | \$ 4.76 |
| FV-.250 | 1/4 | 6.45 |
| FV-.375 | 3/8 | 7.79 |
| FV-.500 | 1/2 | 9.36 |
| FV-.750 | 3/4 | 14.39 |
| FV-1.000 | 1 | 17.24 |

STEEL PLUGS AND VENTS

Steel Plug (O-Ring Boss)



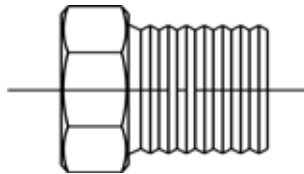
| PART NUMBER | PORT SIZE | LIST PRICE |
|-------------|-----------|------------|
| CM-74004 | #4 SAE | \$ 2.27 |
| CM-74005 | #5 SAE | 2.35 |
| CM-74006 | #6 SAE | 2.7 |
| CM-74008 | #8 SAE | 6.34 |
| CM-74010 | #10 SAE | 4.54 |
| CM-74012 | #12 SAE | 7.04 |
| CM-74014 | #14 SAE | 12.36 |
| CM-74016 | #16 SAE | 15.83 |
| CM-74020 | #20 SAE | 22.97 |



NPT Steel Plug



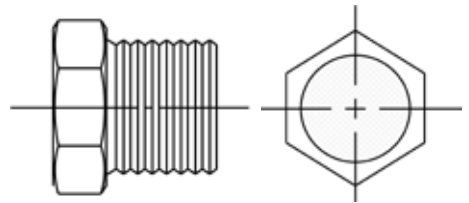
| PART NUMBER | PORT SIZE | LIST PRICE |
|-------------|------------|------------|
| CM-74112 | 1/8" NPT | \$ 0.76 |
| CM-74125 | 1/4" NPT | 0.77 |
| CM-74137 | 3/8" NPT | 1.65 |
| CM-74150 | 1/2" NPT | 7.59 |
| CM-74175 | 3/4" NPT | 1.57 |
| CM-74199 | 1" NPT | 3.6 |
| CM-74200 | 1-1/4" NPT | 8.27 |



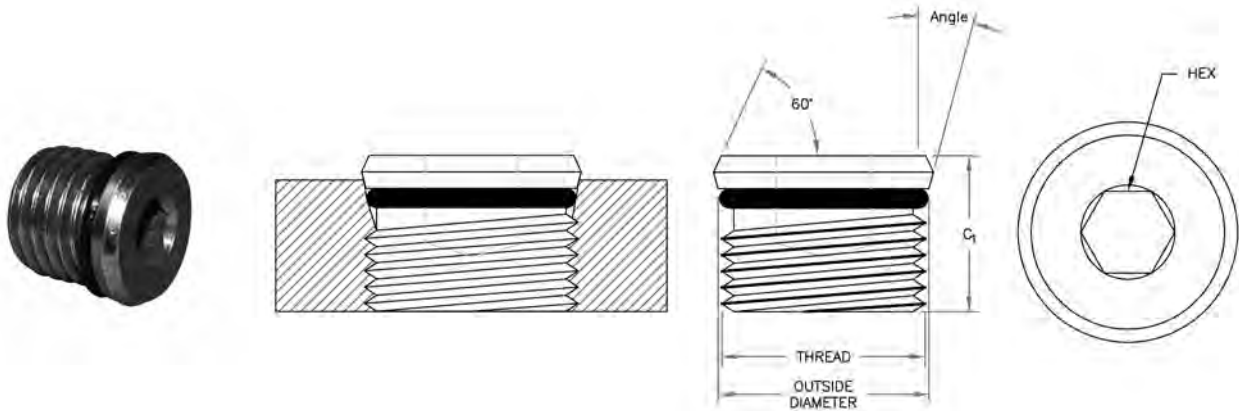
NPT Air Vent



| PART NUMBER | PORT SIZE | LIST PRICE |
|-------------|-----------|------------|
| CM-77002 | 1/8" NPT | \$ 4.76 |
| CM-77004 | 1/4" NPT | 6.45 |
| CM-77006 | 3/8" NPT | 7.79 |
| CM-77008 | 1/2" NPT | 9.36 |
| CM-77010 | 3/4" NPT | 14.39 |



ZERO-LEAK GOLD STANDARD THREAD PORT PLUGS



| Part Number | SIZE NUMBER | C ₁ OVERALL HEIGHT | OUTSIDE DIAMETER | HEX | Angle | TESTED TORQUE (ft-lbs) | O-RING | THREAD | List Price |
|-------------|-------------|----------------------------------|---------------------|---------------------|-----------------|------------------------------|--------------|--------------|---------------|
| SHTPP-S04 | 4 | .450 ±.020 | .477 ±.003 | .188 +.005 +.000 | 12 +0.0 -0.5 | 7 | MOR-8X1.5 | 7/16-20 UNF | \$2.32 |
| SHTPP-S06 | 6 | .480 ±.020 | .606 ±.003 | .250 +.005 +.000 | 12 +0.0 -0.5 | 11 | MOR-12.1X1.6 | 9/16-18 UNF | 2.93 |
| SHTPP-S08 | 8 | .560 ±.020 | .800 ±.003 | .313 +.005 +.000 | 15 +0.0 -0.5 | 28 | 568-016 | 3/4-16 UNF | 3.45 |
| SHTPP-S10 | 10 | .630 ±.020 | .930 ±.003 | .375 +.005 +.000 | 15 +0.0 -0.5 | 46 | MOR-18X2 | 7/8-14 UNF | 4.66 |
| SHTPP-S12 | 12 | .750 ±.020 | 1.130 ±.003 | .563 +.005 +.000 | 15 +0.0 -0.5 | 51 | MOR-22.3X2.4 | 1-1/16-12 UN | 8.25 |
| SHTPP-S16 | 16 | .750 ±.020 | 1.385 ±.003 | .625 +.005 +.000 | 15 +0.0 -0.5 | | MOR-27X2.5 | 1-5/16-12 UN | 15.84 |

MANUAL BLEEDER VALVES

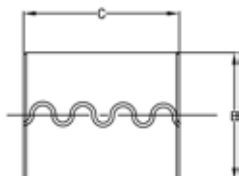


| Part Number | Thread Size | Min Pkg Qty | List Price |
|-------------|-------------|----------------|------------|
| WH705 | 1/8 NPT | 3 | \$ 5.36 |

SPLIT TENSION BUSHINGS



Material: Hardened Spring Steel



| PART NUMBER | A | B | C | HOUSING DIAMETER | LIST PRICE |
|-------------|------|------|------|------------------|------------|
| CM-99507 | 0.75 | 1.00 | 2.00 | 1.002/1.006 | \$ 13.07 |
| CM-99508 | 0.88 | 1.00 | 2.00 | 1.002/1.006 | 12.58 |
| CM-99510 | 1.00 | 1.25 | 0.75 | 1.252/1.256 | 8.22 |
| CM-99514 | 1.00 | 1.25 | 0.88 | 1.252/1.256 | 10.49 |
| CM-99511 | 1.00 | 1.25 | 1.00 | 1.252/1.256 | 9.20 |
| CM-99513 | 1.00 | 1.25 | 1.25 | 1.252/1.256 | 12.18 |
| CM-99512 | 1.00 | 1.25 | 1.50 | 1.252/1.256 | 10.89 |
| CM-99519 | 1.25 | 1.50 | 1.25 | 1.502/1.506 | 9.69 |
| CM-99522 | 1.25 | 1.50 | 1.50 | 1.502/1.506 | 13.78 |
| CM-99521 | 1.25 | 1.50 | 2.00 | 1.502/1.506 | 15.24 |
| CM-99531 | 1.50 | 1.75 | 1.50 | 1.752/1.756 | 12.13 |
| CM-99533 | 1.50 | 1.75 | 2.00 | 1.752/1.756 | 16.44 |
| CM-99535 | 1.50 | 1.75 | 3.00 | 1.752/1.756 | 24.76 |
| CM-99534 | 1.50 | 1.88 | 2.00 | 1.877/1.881 | 27.91 |
| CM-995335 | 1.50 | 1.75 | 2.50 | 1.752/1.756 | 23.24 |
| CM-99537 | 1.50 | 2.00 | 1.25 | 2.002/2.006 | 22.67 |

| PART NUMBER | A | B | C | HOUSING DIAMETER | LIST PRICE |
|-------------|------|------|------|------------------|------------|
| CM-995371 | 1.50 | 2.00 | 2.00 | 2.002/2.006 | \$ 30.09 |
| CM-99540 | 1.75 | 2.00 | 1.25 | 2.002/2.006 | 15.69 |
| CM-995375 | 1.75 | 2.00 | 1.50 | 2.002/2.006 | 19.20 |
| CM-99538 | 1.75 | 2.00 | 2.00 | 2.002/2.006 | 17.69 |
| CM-99539 | 1.75 | 2.00 | 2.25 | 2.002/2.006 | 26.93 |
| CM-995410 | 1.75 | 2.00 | 3.00 | 2.002/2.006 | 32.89 |
| CM-99541 | 1.75 | 2.25 | 2.00 | 2.252/2.256 | 36.89 |
| CM-99546 | 2.00 | 2.38 | 3.00 | 2.377/2.381 | 49.96 |
| CM-99549 | 2.00 | 2.25 | 1.50 | 2.252/2.256 | 16.93 |
| CM-99550 | 2.00 | 2.25 | 2.50 | 2.252/2.256 | 21.78 |
| CM-99547 | 2.00 | 2.50 | 2.00 | 2.502/2.506 | 37.29 |
| CM-99545 | 2.00 | 2.50 | 2.50 | 2.502/2.506 | 48.71 |
| CM-99556 | 2.50 | 3.00 | 2.00 | 3.002/3.006 | 53.42 |
| CM-99557 | 2.50 | 3.00 | 3.00 | 3.002/3.006 | 89.78 |
| CM-99565 | 3.00 | 3.50 | 2.50 | 3.502/3.506 | 89.11 |

REPAIR ACCESSORIES

LOCTITE



Threadlocker 242 locks fasteners 1/4" and larger yet allows easy disassembly with hand tools. Prevents rust and corrosion.

| Part Number | Application | List Price |
|---------------|--|------------|
| LOCTITE-24205 | Removable Threadlocker 0.5 ml bottle | \$ 12.74 |
| LOCTITE-24221 | Removable Threadlocker 10 ml bottle | 47.32 |
| LOCTITE-24231 | Removable Threadlocker 50 ml bottle | 129.62 |
| LOCTITE-27105 | High Strength Threadlocker 0.5 ml bottle | 8.71 |
| LOCTITE-29021 | Penetrating Threadlocker 10 ml bottle | 66.7 |
| LOCTITE-29031 | Penetrating Threadlocker 50 ml bottle | 115.3 |
| LOCTITE-54531 | Hyd/Pneum Thread Sealant 50 ml tube | 116.59 |
| LOCTITE-82325 | Super Lube 3 oz tube | 25.97 |

TURBO LOCK



Turbo Lock threadlocker adhesive series is an economical alternative to Loctite.

| Part Number | Application | List Price |
|----------------------|--|------------|
| THREAD LOCKER-11-001 | Removable Threadlocker 2 ml bottle | \$ 4.80 |
| THREAD LOCKER-11-010 | Removable Threadlocker 10 ml bottle | 33.47 |
| THREAD LOCKER-11-050 | Removable Threadlocker 50 ml bottle | 58.58 |
| THREAD LOCKER-14-001 | High Strength Threadlocker 2 ml bottle | 4.80 |
| THREAD LOCKER-14-250 | High Strength Threadlocker 250 ml bottle | 201.21 |
| THREAD LOCKER-16-010 | Penetrating Threadlocker 10 ml bottle | 20.73 |
| THREAD LOCKER-16-050 | Penetrating Threadlocker 50 ml bottle | 53.68 |

SEAL LUBE™

O-Ring Lubricant



Part Number: SEAL LUBE

List Price: \$ 22.77

Seal-Lube™ lubricant is a thick, clear, high viscosity silicone oil recommended for use with most seal compounds (except silicone) and a wide variety of hydraulic fluids. Insoluble in water, alcohol, petroleum oil and glycol, Seal-Lube™ can prolong seal life when applied prior to seal installation. Chemically inert and non-toxic, Seal-Lube™ retains its viscosity over a wide temperature range. The handy squeeze 2 ounce bottle dispenses just enough where you want it.

**Set Screw and Nylon Plug
Assortment Kits
Also Available -
See the Kits & Tools Section**

GREASE FITTINGS



| Part Number | Description | List Price |
|--------------|----------------------|------------|
| GF-125NPTS | 1/8" NPT STRAIGHT | \$ 1.05 |
| GF-125NPT45 | 1/8" NPT 45° | 2.12 |
| GF-125NPT90 | 1/8" NPT 90° | 2.12 |
| GF-187DS | 3/16" DRIVE STRAIGHT | 0.93 |
| GF-250-28S | 1/4"-28 STRAIGHT | 0.69 |
| GF-250-28-45 | 1/4"-28 45° | 1.87 |
| GF-250-28-90 | 1/4"-28 90° | 1.87 |
| GF-312DS | 5/16" DRIVE STRAIGHT | 1.20 |

GREASE FITTING CAP



Low density polyethane cap plug for use with standard grease fittings.

| Part Number | Description | List Price |
|-------------|-------------|------------|
| CAP-GF-10 | Cap Plug | \$ 0.20 |

PTFE THREAD SEAL TAPE

Part Number: PTFE TAPE
List Price: \$ 2.96



1/2" Wide by 520" Roll

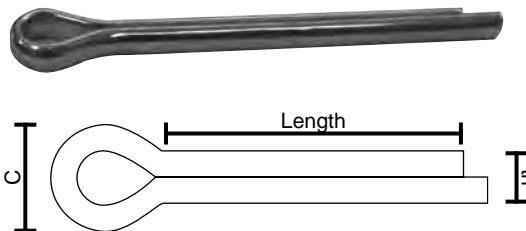
SILICONE TAPE



Used to create permanent seals for low pressure gas or liquid leaks in hydraulic hoses.
Temperature Range: -62/+500° F

| Part Number | Description | List Price |
|---------------|----------------|------------|
| SILICONE TAPE | 1" X 432" Roll | \$ 45.77 |

COTTER PINS



| Part Number | C | Length | th | List Price |
|---------------|--------|--------|---------|------------|
| CP-1X3/32 | 0.1875 | 1 | 0.082 | \$ 0.42 |
| CP-1-1/4X1/8 | 0.25 | 1.25 | 0.115 | 0.31 |
| CP-1-1/2X5/32 | 0.3125 | 1.5 | 0.15 | 0.42 |
| CP-1-3/4X3/16 | 0.39 | 1.75 | 0.1875 | 0.23 |
| CP-2X3/16 | 0.375 | 2 | 0.176 | 0.52 |
| CP-2X1/4 | 0.5 | 2 | 0.225 | 0.42 |
| CP-2-1/2X1/8 | 0.25 | 2.5 | 0.115 | 0.31 |
| CP-2-1/2X5/32 | 0.357 | 2.5 | 0.15625 | 0.51 |
| CP-2-1/2X3/16 | 0.375 | 2.5 | 0.176 | 0.62 |
| CP-2-1/2X1/4 | 0.5 | 2.5 | 0.225 | 0.58 |
| CP-3X5/32 | 0.3125 | 3 | 0.15 | 0.54 |
| CP-3X1/4 | 0.52 | 3 | 0.25 | 1.44 |
| CP-3-1/2X1/4 | 0.5 | 3.5 | 0.225 | 0.8 |
| CP-4X1/4 | 0.5 | 4 | 0.225 | 0.91 |
| CP-5X1/4 | 0.5 | 5 | 0.225 | 2.87 |
| CP-6X5/16 | 0.625 | 6 | 0.28 | 3.41 |

STYLE MCPL COUPLINGS

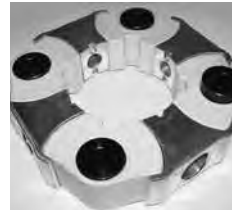
MCPL power transmission couplings are commonly found on mobile equipment to solve vibration problems in combustion engine driven equipment. The rubber or Hytrel elements effectively absorb shock loads, misalignment forces, and torsional vibrations generated by the connecting equipment at start-up for example. The coupling is axially connected to a PTO or flywheel on the engine side and radially connected to the driven equipment such as hydraulic pumps, generators, compressors, etc.



50H



110H



140H



50A

| Part Number | ID X OD Dimensions | Material | Application | List Price |
|--------------|--------------------|-----------------------|---|------------|
| MCPL-110H-AL | 100 X 222 mm | Plastic with Aluminum | Hitachi, Kato, etc. | \$ 503.72 |
| MCPL-140H-AL | 130 X 250 mm | Plastic with Aluminum | Komatsu, Kobelco, Kato, etc. | 797.09 |
| MCPL-50A-AL | 107 X 200 mm | Rubber with Aluminum | Kobelco, Mitsubishi, etc. | 374.61 |
| MCPL-50H-AL | 97 X 200 mm | Plastic with Aluminum | Komatsu, Hitachi, Kobelco, Mitsubishi, Kato, etc. | 330.06 |

**Cotter Pin and Grease Fitting Assortment Kits
Also Available -
See the Kits & Tools Section**

Assortment Kits and Tools

| Contents | Page |
|----------------------------|-------------|
| O-Ring Kits | 760 - 768 |
| O-Ring Splice Kits | 769 |
| Back-Up Ring Kits | 770 |
| Retainer Ring Kits | 771 |
| Assortment Kits | 772 - 779 |
| Installation Tools | 779 - 780 |
| Splice Tools | 780 |
| Cutting and Chopping Tools | 780 - 781 |
| Removal Tools | 781 - 783 |
| Dismantling Tools | 784 |
| Remanufacturing Tools | 785 - 789 |
| Leak Detection Products | 790 |
| Measuring Tools | 791 - 793 |
| Hercules Merchandise | 794 |

O-RING KITS

O-RING KIT

Part Number: 568 KIT-A

List Price: \$ 35.43

| DASH NUMBER | QTY |
|--------------|-----|
| 006 THRU 012 | 20 |
| 110 THRU 116 | 13 |
| 210 THRU 222 | 10 |
| 325 THRU 327 | 7 |



This kit contains a total of 382 O-Rings in 30 different sizes, providing an extremely low cost per size value.

HNBR O-RING KIT

Part Number: 568 HNBR KIT

List Price: \$ 56.17

| PART NUMBER | QTY |
|-------------|-----|
| 568-008H | 20 |
| 568-010H | 20 |
| 568-011H | 20 |
| 568-012H | 20 |
| 568-013H | 20 |
| 568-014H | 20 |
| 568-015H | 15 |
| 568-017H | 15 |
| 568-111H | 15 |
| 568-116H | 15 |
| 568-118H | 10 |
| 568-211H | 10 |



This kit contains a total of 200 70A Durometer HNBR o-rings in 12 different sizes, providing an extremely low cost per size value.

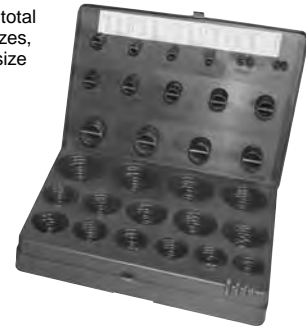
O-RING METRIC KIT

Part Number: METRIC O KIT-J-A

List Price: \$ 53.07

| I.D X C.S. (mm) | QTY | I.D X C.S. (mm) | QTY | I.D X C.S. (mm) | QTY |
|-----------------|-----|-----------------|-----|-----------------|-----|
| 3 X 2.0 | 16 | 14 X 2.5 | 13 | 28 X 3.0 | 12 |
| 4 X 2.0 | 16 | 16 X 2.5 | 13 | 30 X 3.0 | 12 |
| 5 X 2.0 | 16 | 17 X 2.5 | 13 | 32 X 3.0 | 12 |
| 6 X 2.0 | 16 | 19 X 2.5 | 13 | 33 X 3.0 | 12 |
| 7 X 2.0 | 16 | 19 X 3.0 | 11 | 35 X 3.0 | 12 |
| 8 X 2.0 | 16 | 20 X 3.0 | 12 | 36 X 3.0 | 12 |
| 10 X 2.0 | 16 | 22 X 3.0 | 12 | 38 X 3.0 | 12 |
| 10 X 2.5 | 13 | 24 X 3.0 | 12 | 38 X 4.0 | 9 |
| 11 X 2.5 | 13 | 25 X 3.0 | 12 | 41 X 4.0 | 9 |
| 12 X 2.5 | 13 | 27 X 3.0 | 12 | 44 X 4.0 | 9 |

The Metric O-Kit J-A contains a total of 385 O-Rings in 30 different sizes, another extremely low cost per size value.



MASTER O-RING FITTING KIT

Part Number: MASTER OR FITTING KIT

List Price: \$ 211.25

| PORT DASH SIZE | PART NUMBER | QTY | PORT DASH SIZE | PART NUMBER | QTY |
|----------------|-------------|-----|----------------|-------------|-----|
| SAE BOSS #4 | 568-904 | 50 | ORS #8 | 568-014-90D | 50 |
| SAE BOSS #5 | 568-905 | 50 | ORS #10 | 568-016-90D | 50 |
| SAE BOSS #6 | 568-906 | 50 | ORS #12 | 568-018-90D | 50 |
| SAE BOSS #8 | 568-908 | 50 | ORS #16 | 568-021-90D | 50 |
| SAE BOSS #10 | 568-910 | 50 | ORS #20 | 568-025-90D | 50 |
| SAE BOSS #12 | 568-912 | 50 | ORS #24 | 568-029-90D | 40 |
| SAE BOSS #14 | 568-914 | 40 | SAE #8 | 568-210-90D | 50 |
| SAE BOSS #16 | 568-916 | 40 | SAE #12 | 568-214-90D | 50 |
| SAE BOSS #20 | 568-920 | 20 | SAE #16 | 568-219-90D | 20 |
| SAE BOSS #24 | 568-924 | 10 | SAE #20 | 568-222-90D | 20 |
| SAE BOSS #32 | 568-932 | 10 | SAE #24 | 568-225-90D | 20 |
| ORS #4 | 568-011-90D | 50 | SAE #32 | 568-228-90D | 20 |
| ORS #6 | 568-012-90D | 50 | SAE #40 | 568-232-90D | 10 |



This 1000 piece assortment contains 1/16" CS, 1/8" CS, and Boss 90A Durometer NBR O-rings in 26 of the most popular fitting sizes, including O-ring face seals and SAE straight thread boss fittings. Individually separated inside of a sturdy steel case.

O-RING KITS

SAE FLANGE SEALS

Part Number: SAE FLANGE SEALS
List Price: \$ 36.94

| BOX PART NUMBER | PART NUMBER | QTY |
|-----------------|-------------|-----|
| -8 | 568-210-90D | 8 |
| -12 | 568-214-90D | 8 |
| -16 | 568-219-90D | 8 |
| -20 | 568-222-90D | 8 |
| -24 | 568-225-90D | 8 |
| -32 | 568-228-90D | 8 |



Fits SAE J518 code 61/62 split flanges.

FLAT FACE SEALS

Part Number: FLAT FACE O-RINGS
List Price: \$ 39.12

| BOX PART NUMBER | PART NUMBER | QTY |
|-----------------|-------------|-----|
| -4 | 568-011-90D | 8 |
| -6 | 568-012-90D | 8 |
| -8 | 568-014-90D | 8 |
| -10 | 568-016-90D | 8 |
| -12 | 568-018-90D | 8 |
| -16 | 568-021-90D | 8 |
| -20 | 568-025-90D | 8 |
| -24 | 568-029-90D | 8 |



Fits SAE O-ring face seal fittings.

BOSS & TUBE SEALS

Part Number: BOSS-TUBE FITTINGS-1
List Price: \$ 26.99
Part Number: BOSS-TUBE FITTINGS-2
List Price: \$ 38.58

| BOX PART NUMBER | PART NUMBER | QTY | KIT NUMBER |
|-----------------|-------------|-----|------------|
| -2 | 568-902 | 8 | FITTINGS-1 |
| -3 | 568-903 | 8 | FITTINGS-1 |
| -4 | 568-904 | 8 | FITTINGS-1 |
| -5 | 568-905 | 8 | FITTINGS-1 |
| -6 | 568-906 | 8 | FITTINGS-1 |
| -8 | 568-908 | 8 | FITTINGS-1 |
| -10 | 568-910 | 8 | FITTINGS-1 |
| -12 | 568-912 | 8 | FITTINGS-1 |
| -14 | 568-914 | 8 | FITTINGS-1 |
| -16 | 568-916 | 8 | FITTINGS-2 |
| -20 | 568-920 | 8 | FITTINGS-2 |
| -24 | 568-924 | 8 | FITTINGS-2 |
| -32 | 568-932 | 8 | FITTINGS-2 |

Fits SAE Boss straight thread tube fittings.



HOSE END & ADAPTER KIT

Part Number: O-R FITTING KIT
List Price: \$ 150.59

This handy kit contains 27 sizes and 216 pieces of 90A Durometer O-rings for boss, split flange, and flat face hose end fittings and adapters. Each box has a graphic label identifying the type of application and dash number for the seal. A chart on the back of the box lists popular OEM part number matches for each O-ring. Due to popular demand, these kits are now available individually.



ASSORTMENT KITS AND TOOLS

O-RING KITS

SAE 900 O-RING BOSS FLUOROCARBON KIT

Part Number: 900 BOSS FC
List Price: \$ 195.74

| PART NUMBER | QTY | SAE PORT SIZE |
|-------------|-----|---------------|
| 568-901V | 10 | -1 |
| 568-902V | 10 | -2 |
| 568-903V | 10 | -3 |
| 568-904V | 10 | -4 |
| 568-905V | 12 | -5 |
| 568-906V | 12 | -6 |
| 568-907V | 12 | -7 |
| 568-908V | 12 | -8 |
| 568-909V | 12 | -9 |
| 568-910V | 12 | -10 |
| 568-911V | 10 | -11 |
| 568-912V | 10 | -12 |
| 568-913V | 10 | -13 |
| 568-914V | 10 | -14 |
| 568-916V | 10 | -16 |
| 568-918V | 10 | -18 |
| 568-920V | 10 | -20 |
| 568-924V | 10 | -24 |
| 568-928V | 10 | -28 |
| 568-932V | 10 | -32 |



This 212 piece assortment contains the most popular size 90 Durometer FKM Boss O-rings in 20 different fitting sizes, individually separated, which will supply your shop, service truck, or parts counter with the sizes you need!

SAE J514 O-RING BOSS KIT

Part Number: 900 BOSS KIT
List Price: \$ 37.14

| PART NUMBER | QTY | SAE PORT SIZE |
|-------------|-----|---------------|
| 568-901 | 10 | -1 |
| 568-902 | 10 | -2 |
| 568-903 | 10 | -3 |
| 568-904 | 10 | -4 |
| 568-905 | 12 | -5 |
| 568-906 | 12 | -6 |
| 568-907 | 12 | -7 |
| 568-908 | 12 | -8 |
| 568-909 | 12 | -9 |
| 568-910 | 12 | -10 |
| 568-911 | 10 | -11 |
| 568-912 | 10 | -12 |
| 568-913 | 10 | -13 |
| 568-914 | 10 | -14 |
| 568-916 | 10 | -16 |
| 568-918 | 10 | -18 |
| 568-920 | 10 | -20 |
| 568-924 | 10 | -24 |
| 568-928 | 10 | -28 |
| 568-932 | 10 | -32 |



This 212 piece assortment contains the most popular size 90 Durometer Boss O-rings in 20 different fitting sizes, individually separated, which will supply your shop, service truck, or parts counter with the sizes you need!

O-RING FACE KIT

Part Number: 568 FACE KIT
List Price: \$ 33.29

| DASH NUMBER | FITTING | QTY |
|-------------|---------|-----|
| 011-90D | #4 | 25 |
| 012-90D | #6 | 25 |
| 014-90D | #8 | 25 |
| 016-90D | #10 | 25 |
| 018-90D | #12 | 20 |
| 021-90D | #16 | 15 |
| 025-90D | #20 | 10 |
| 029-90D | #24 | 10 |



This kit contains a total of 155 90 Durometer O-Rings in 8 different sizes, providing an extremely low cost per size value.

SAE CODE 61 & 62 O-RING FLANGE KIT

Part Number: 568 FLANGE KIT
List Price: \$ 39.16

| DASH NUMBER | FITTING | QTY |
|-------------|---------|-----|
| 210-90D | 1/2" | 10 |
| 214-90D | 3/4" | 10 |
| 219-90D | 1" | 10 |
| 222-90D | 1-1/4" | 10 |
| 225-90D | 1-1/2" | 10 |
| 228-90D | 2" | 10 |
| 232-90D | 2-1/2" | 10 |



This kit contains a total of 70, 90 Durometer O-Rings, in 7 different sizes, providing an extremely low cost per size value.

O-RING KITS

SPLIT FLANGE SEAL KIT

Part Number: SFS KIT
List Price: \$ 105.62

| PART NUMBER | Flange Size | Replaces O-Ring No. | Outside Diam. | QTY |
|-------------|-------------|---------------------|---------------|-----|
| SFS-8 | 1/2" | -210 | 1.005 | 5 |
| SFS-12 | 3/4" | -214 | 1.255 | 5 |
| SFS-16 | 1" | -219 | 1.565 | 5 |
| SFS-20 | 1-1/4" | -222 | 1.755 | 5 |
| SFS-24 | 1-1/2" | -225 | 2.125 | 5 |
| SFS-32 | 2" | -228 | 2.500 | 5 |
| SFS-40 | 2-1/2" | -232 | 3.005 | 5 |



This kit contains 35 seals in 7 popular sizes for SAE J518 4-Bolt code 61 and code 62 split flanges.

U.S. INDUSTRIAL O-RING KIT

Part Number: 568 KIT
List Price: \$ 43.79

| DASH NUMBER | QTY |
|--------------|-----|
| 005 THRU 011 | 25 |
| 012 | 15 |
| 013 THRU 018 | 10 |
| 110 | 15 |
| 111 THRU 116 | 10 |
| 117 THRU 121 | 7 |
| 210 THRU 211 | 10 |
| 212 THRU 219 | 7 |



This kit contains a total of 436 70 Durometer O-Rings in 36 different sizes, providing an extremely low cost per size value.

QUAD RING KIT

Part Number: QUAD-RING KIT
List Price: \$ 107.82

| DASH NUMBER | QTY |
|----------------|-----|
| 4005 THRU 4012 | 10 |
| 4013 THRU 4016 | 6 |
| 4017 THRU 4018 | 5 |
| 4110 THRU 4116 | 6 |
| 4117 THRU 4121 | 4 |
| 4210 THRU 4219 | 5 |



QUAD WAREHOUSE KIT

Part Number: QUAD-RING WH KIT
List Price: \$ 567.65

| DASH NUMBER | QTY |
|----------------|-----|
| 4004 THRU 4012 | 10 |
| 4013 THRU 4030 | 5 |
| 4031 THRU 4038 | 3 |
| 4039 THRU 4048 | 2 |
| 4108 THRU 4116 | 10 |
| 4117 THRU 4124 | 5 |
| 4125 THRU 4135 | 3 |
| 4136 THRU 4154 | 2 |
| 4204 THRU 4216 | 5 |
| 4217 THRU 4229 | 3 |
| 4230 THRU 4338 | 2 |



Similar to the O-Ring Warehouse kit, the Quad Seal Warehouse kit contains a total of 583 four-lobed seals in 145 different sizes. This kit is ideal for the small distributor who wishes to have a comprehensive on-hand inventory of Quad seals for counter sales.

O-RING KITS

90 DUROMETER O-RING KIT

Part Number: 568 90D KIT

List Price: \$ 62.36

| DASH NUMBER | QTY |
|------------------|-----|
| 005 THRU 011-90D | 25 |
| 012-90D | 15 |
| 013 THRU 018-90D | 10 |
| 110-90D | 15 |
| 111 THRU 116-90D | 10 |
| 117 THRU 121-90D | 7 |
| 210 THRU 211-90D | 10 |
| 212 THRU 219-90D | 7 |



This kit contains a total of 436 90 Durometer O-Rings in 36 different sizes, providing an extremely low cost per size value.

PTFE O-RING KIT

Part Number: 568 PTFE KIT

List Price: \$ 607.23

| DASH NUMBER | QTY |
|---------------|-----|
| 005 THRU 012T | 15 |
| 013 THRU 018T | 10 |
| 110 THRU 116T | 10 |
| 117 THRU 121T | 5 |
| 210 THRU 219T | 5 |



This kit contains a total of 325 PTFE O-Rings (55 - 58 Shore D) in 36 different sizes. PTFE O-Rings can withstand temperatures up to 500° F and are impervious to a wide range of chemicals.

FLUOROCARBON O-RING KIT

Part Number: 568 FC KIT

List Price: \$ 278.37

| DASH NUMBER | QTY |
|---------------|-----|
| 005 THRU 011V | 25 |
| 012V | 15 |
| 013 THRU 018V | 10 |
| 110V | 15 |
| 111 THRU 116V | 10 |
| 117 THRU 121V | 7 |
| 210 THRU 211V | 10 |
| 212 THRU 219V | 7 |



This kit contains a total of 436 75 Durometer Fluorocarbon O-Rings in 36 different sizes, providing an extremely low cost per size value.

FLUOROCARBON O-RING KIT

Part Number: 568 FC KIT-A

List Price: \$ 123.25

| DASH NUMBER | QTY |
|--------------|-----|
| 006 THRU 012 | 10 |
| 110 THRU 114 | 10 |
| 115 THRU 116 | 5 |
| 210 THRU 214 | 5 |
| 216 THRU 222 | 2 |
| 325 THRU 327 | 2 |



This kit contains a total of 180 75 Shore A fluorocarbon o-rings in 30 different sizes.

VITON KIT

Part Number: METRIC O KIT-V

List Price: \$ 108.80

| I.D. | C.S | QTY | I.D. | C.S | QTY | I.D. | C.S | QTY |
|-------|------|-----|-------|------|-----|-------|------|-----|
| 5.00 | 1.50 | 20 | 9.00 | 2.00 | 15 | 19.00 | 2.00 | 10 |
| 2.20 | 1.60 | 20 | 10.00 | 2.00 | 15 | 20.00 | 2.00 | 10 |
| 3.10 | 1.60 | 20 | 12.00 | 2.00 | 15 | 10.00 | 2.50 | 10 |
| 4.10 | 1.60 | 20 | 4.30 | 2.40 | 15 | 13.00 | 2.50 | 10 |
| 7.10 | 1.60 | 20 | 5.30 | 2.40 | 15 | 14.00 | 2.50 | 10 |
| 4.00 | 2.00 | 20 | 5.60 | 2.40 | 15 | 15.00 | 2.50 | 10 |
| 6.00 | 2.00 | 20 | 7.60 | 2.40 | 15 | 17.00 | 2.50 | 10 |
| 13.00 | 1.50 | 15 | 8.30 | 2.40 | 15 | 18.00 | 2.50 | 10 |
| 9.10 | 1.60 | 15 | 8.60 | 2.40 | 15 | 19.00 | 2.50 | 10 |
| 10.10 | 1.60 | 15 | 16.00 | 1.50 | 10 | 9.00 | 3.00 | 10 |
| 13.10 | 1.60 | 15 | 14.00 | 2.00 | 10 | 10.00 | 3.00 | 10 |
| 8.00 | 2.00 | 15 | 16.00 | 2.00 | 10 | 11.00 | 3.00 | 10 |

This 500 piece kit contains 75 Shore A fluorocarbon o-rings in 36 metric sizes.



O-RING KITS

O-RING WAREHOUSE KIT

Part Number: 568 WH KIT
List Price: \$ 544.66

| DASH NUMBER | QTY | DASH NUMBER | QTY | DASH NUMBER | QTY |
|--------------|-----|--------------|-----|--------------|-----|
| 001 THRU 016 | 20 | 125 THRU 142 | 5 | 325 THRU 328 | 5 |
| 017 THRU 024 | 10 | 143 THRU 146 | 3 | 329 THRU 330 | 4 |
| 025 THRU 031 | 7 | 147 THRU 151 | 2 | 331 THRU 338 | 2 |
| 032 THRU 043 | 5 | 210 THRU 216 | 10 | 901 THRU 914 | 5 |
| 044 THRU 046 | 2 | 217 THRU 229 | 5 | 916, 918 | 5 |
| 110 THRU 116 | 15 | 230 THRU 232 | 3 | 920, 924 | 5 |
| 117 THRU 124 | 10 | 233 THRU 237 | 2 | 928, 932 | 5 |

Our O-ring Warehouse kit is ideally suited for the repair shop that needs a large on-hand selection of O-rings to ensure quick repair of all machine types. 1,110 O-Rings in 150 different sizes are included in this kit. Each size is individually packaged in heavy duty ziploc bags to protect against environmental exposure and contamination. All packages are then stored in a sturdy styrene cabinet with pull-out drawers for easy access to parts. Included card shows size, dimensions, and drawer location for each ring.



FLUOROCARBON O-RING WAREHOUSE KIT

Part Number: 568 WH KIT-FC
List Price: \$ 735.00

| DASH NUMBER | QTY | DASH NUMBER | QTY | DASH NUMBER | QTY |
|---------------|-----|---------------|-----|---------------|-----|
| 001 THRU 016V | 20 | 125 THRU 142V | 5 | 325 THRU 328V | 5 |
| 017 THRU 024V | 10 | 143 THRU 146V | 3 | 329 THRU 330V | 4 |
| 025 THRU 031V | 7 | 147 THRU 151V | 2 | 331 THRU 338V | 2 |
| 032 THRU 043V | 5 | 210 THRU 216V | 10 | 901 THRU 914V | 5 |
| 044 THRU 046V | 2 | 217 THRU 229V | 5 | 916V, 918V | 5 |
| 110 THRU 116V | 15 | 230 THRU 232V | 3 | 920V, 924V | 5 |
| 117 THRU 124V | 10 | 233 THRU 237V | 2 | 928V, 932V | 5 |

Our 75 Durometer Fluorocarbon O-ring Warehouse kit is ideally suited for the repair shop that needs a large on-hand selection of O-rings to ensure quick repair of all machine types. 1,110 O-Rings in 150 different sizes are included in this kit. Each size is individually packaged in heavy duty ziploc bags to protect against environmental exposure and contamination. All packages are then stored in a sturdy styrene cabinet with pull-out drawers for easy access to parts. Included card shows size, dimensions, and drawer location for each ring.



90 DUROMETER O-RING WAREHOUSE KIT

Part Number: 568 WH KIT-90D
List Price: \$ 510.52

| DASH NUMBER | QTY | DASH NUMBER | QTY |
|------------------|-----|------------------|-----|
| 001 THRU 016-90D | 20 | 217 THRU 229-90D | 5 |
| 017 THRU 024-90D | 10 | 230 THRU 232-90D | 3 |
| 025 THRU 031-90D | 7 | 233 THRU 237-90D | 2 |
| 032 THRU 043-90D | 5 | 325 THRU 328-90D | 5 |
| 044 THRU 046-90D | 2 | 329 THRU 330-90D | 4 |
| 110 THRU 116-90D | 15 | 331 THRU 338-90D | 2 |
| 117 THRU 124-90D | 10 | 901 THRU 914-90D | 5 |
| 125 THRU 142-90D | 5 | 916, 918-90D | 5 |
| 143 THRU 146-90D | 3 | 920, 924-90D | 5 |
| 147 THRU 151-90D | 2 | 928, 932-90D | 5 |
| 210 THRU 216-90D | 10 | | |

Our 90 Durometer O-ring Warehouse kit is ideally suited for the repair shop that needs a large on-hand selection of O-Rings to ensure quick repair of all machine types. 1,110 O-Rings in 150 different sizes are included in this kit.



ASSORTMENT KITS AND TOOLS

O-RING KITS

MAX O-RING KIT

Part Number: MAX 1381 KIT
List Price: \$ 372.80

Part Number: MAX 1381 KIT-90D
List Price: \$ 426.76



These sturdy kits, packaged in a heavy duty box, contain 1415 O-Rings in the most popular sizes. Every service truck should have one of these. Five internal boxes contain 1/16" C/S, 3/32" C/S, 1/8" C/S, Boss, and Flange fitting o-rings. Contents and quantities are listed below.

Flange Seals

| DASH NUMBER | QTY |
|-------------|-----|
| 8 | 10 |
| 12 | 10 |
| 16 | 10 |
| 20 | 5 |
| 24 | 5 |
| 32 | 5 |

Boss O-Rings

| DASH NUMBER | QTY |
|-------------|-----|
| 903 | 15 |
| 904 | 25 |
| 906 | 15 |
| 908 | 25 |
| 907 | 25 |
| 910 | 25 |
| 912 | 15 |
| 916 | 10 |

1/16" C/S O-Rings

| DASH NUMBER | QTY |
|--------------|-----|
| 006 THRU 118 | 25 |
| 019 THRU 21 | 20 |
| 022 THRU 026 | 15 |
| 028 | 15 |
| 029 | 10 |
| 030 | 10 |

1/8" C/S O-Rings

| DASH NUMBER | QTY |
|--------------|-----|
| 210 THRU 214 | 20 |
| 215 THRU 222 | 15 |
| 223 THRU 224 | 10 |
| 226 | 10 |
| 228 | 10 |
| 232 | 10 |
| 236 | 10 |

3/32" C/S O-Rings

| DASH NUMBER | QTY |
|--------------|-----|
| 109 THRU 118 | 25 |
| 119 THRU 120 | 20 |
| 121 THRU 127 | 15 |
| 128 | 10 |
| 129 | 10 |
| 131 | 10 |
| 133 | 10 |
| 135 | 5 |

O-RING KITS

COMMON JAPANESE SIZE O-RINGS IN 70 DUROMETER

Part Number: METRIC O KIT-J
List Price: \$ 68.67

| I.D. | C.S | QTY | I.D. | C.S | QTY |
|------|-----|-----|------|-----|-----|
| 2.8 | 1.9 | 25 | 20.8 | 2.4 | 8 |
| 3.8 | 1.9 | 20 | 21.8 | 2.4 | 8 |
| 4.8 | 1.9 | 20 | 24.4 | 3.1 | 6 |
| 5.8 | 1.9 | 20 | 29.4 | 3.1 | 7 |
| 6.8 | 1.9 | 15 | 21.7 | 3.5 | 5 |
| 7.8 | 1.9 | 15 | 22.1 | 3.5 | 5 |
| 8.8 | 1.9 | 15 | 23.7 | 3.5 | 7 |
| 9.8 | 1.9 | 15 | 24.7 | 3.5 | 7 |
| 9.8 | 2.4 | 15 | 25.2 | 3.5 | 7 |
| 10.8 | 2.4 | 15 | 25.7 | 3.5 | 7 |
| 11.0 | 2.4 | 15 | 27.7 | 3.5 | 7 |
| 11.8 | 2.4 | 12 | 28.7 | 3.5 | 6 |
| 12.8 | 2.4 | 12 | 29.2 | 3.5 | 6 |
| 13.8 | 2.4 | 12 | 29.7 | 3.5 | 6 |
| 14.8 | 2.4 | 12 | 30.7 | 3.5 | 6 |
| 15.8 | 2.4 | 12 | 31.2 | 3.5 | 6 |
| 17.8 | 2.4 | 8 | 14.5 | 4.0 | 4 |
| 19.8 | 2.4 | 8 | 23.5 | 4.0 | 6 |



This 380 piece kit contains the most popular Japanese Industrial metric O-ring sizes.

COMMON EUROPEAN SIZE O-RINGS IN 70 DUROMETER

Part Number: METRIC O KIT-E
List Price: \$ 52.47

| I.D. | C.S. | QTY | I.D. | C.S. | QTY |
|------|------|-----|------|------|-----|
| 5.0 | 1.5 | 20 | 19.0 | 2.0 | 10 |
| 13.0 | 1.5 | 15 | 20.0 | 2.0 | 10 |
| 16.0 | 1.5 | 10 | 4.3 | 2.4 | 15 |
| 2.2 | 1.6 | 20 | 5.3 | 2.4 | 15 |
| 3.1 | 1.6 | 20 | 5.6 | 2.4 | 15 |
| 4.1 | 1.6 | 20 | 7.6 | 2.4 | 15 |
| 7.1 | 1.6 | 20 | 8.3 | 2.4 | 15 |
| 9.1 | 1.6 | 15 | 8.6 | 2.4 | 15 |
| 10.1 | 1.6 | 15 | 10.0 | 2.5 | 10 |
| 13.1 | 1.6 | 15 | 13.0 | 2.5 | 10 |
| 4.0 | 2.0 | 20 | 14.0 | 2.5 | 10 |
| 6.0 | 2.0 | 20 | 15.0 | 2.5 | 10 |
| 8.0 | 2.0 | 15 | 17.0 | 2.5 | 10 |
| 9.0 | 2.0 | 15 | 18.0 | 2.5 | 10 |
| 10.0 | 2.0 | 15 | 19.0 | 2.5 | 10 |
| 12.0 | 2.0 | 15 | 9.0 | 3.0 | 10 |
| 14.0 | 2.0 | 10 | 10.0 | 3.0 | 10 |
| 16.0 | 2.0 | 10 | 11.0 | 3.0 | 10 |



This 500 piece kit contains the most popular European metric O-ring sizes.

O-RING KITS

COMMON JAPANESE SIZE O-RINGS IN 90 DUROMETER

Part Number: METRIC O KIT-J-90D
List Price: \$ 167.11

| I.D. | C.S | QTY | I.D. | C.S | QTY |
|------|-----|-----|------|-----|-----|
| 2.8 | 1.9 | 25 | 20.8 | 2.4 | 8 |
| 3.8 | 1.9 | 20 | 21.8 | 2.4 | 8 |
| 4.8 | 1.9 | 20 | 24.4 | 3.1 | 6 |
| 5.8 | 1.9 | 20 | 29.4 | 3.1 | 7 |
| 6.8 | 1.9 | 15 | 21.7 | 3.5 | 5 |
| 7.8 | 1.9 | 15 | 22.1 | 3.5 | 5 |
| 8.8 | 1.9 | 15 | 23.7 | 3.5 | 7 |
| 9.8 | 1.9 | 15 | 24.7 | 3.5 | 7 |
| 9.8 | 2.4 | 15 | 25.2 | 3.5 | 7 |
| 10.8 | 2.4 | 15 | 25.7 | 3.5 | 7 |
| 11.0 | 2.4 | 15 | 27.7 | 3.5 | 7 |
| 11.8 | 2.4 | 12 | 28.7 | 3.5 | 6 |
| 12.8 | 2.4 | 12 | 29.2 | 3.5 | 6 |
| 13.8 | 2.4 | 12 | 29.7 | 3.5 | 6 |
| 14.8 | 2.4 | 12 | 30.7 | 3.5 | 6 |
| 15.8 | 2.4 | 12 | 31.2 | 3.5 | 6 |
| 17.8 | 2.4 | 8 | 14.5 | 4.0 | 4 |
| 19.8 | 2.4 | 8 | 23.5 | 4.0 | 6 |



This 380 piece kit contains the most popular Japanese Industrial metric O-ring sizes in 90 durometer NBR.

COMMON EUROPEAN SIZE O-RINGS IN 90 DUROMETER

Part Number: METRIC O KIT-E-90D
List Price: \$ 178.59

| I.D. | C.S. | QTY | I.D. | C.S. | QTY |
|------|------|-----|------|------|-----|
| 5.0 | 1.5 | 20 | 19.0 | 2.0 | 10 |
| 13.0 | 1.5 | 15 | 20.0 | 2.0 | 10 |
| 16.0 | 1.5 | 10 | 4.3 | 2.4 | 15 |
| 2.2 | 1.6 | 20 | 5.3 | 2.4 | 15 |
| 3.1 | 1.6 | 20 | 5.6 | 2.4 | 15 |
| 4.1 | 1.6 | 20 | 7.6 | 2.4 | 15 |
| 7.1 | 1.6 | 20 | 8.3 | 2.4 | 15 |
| 9.1 | 1.6 | 15 | 8.6 | 2.4 | 15 |
| 10.1 | 1.6 | 15 | 10.0 | 2.5 | 10 |
| 13.1 | 1.6 | 15 | 13.0 | 2.5 | 10 |
| 4.0 | 2.0 | 20 | 14.0 | 2.5 | 10 |
| 6.0 | 2.0 | 20 | 15.0 | 2.5 | 10 |
| 8.0 | 2.0 | 15 | 17.0 | 2.5 | 10 |
| 9.0 | 2.0 | 15 | 18.0 | 2.5 | 10 |
| 10.0 | 2.0 | 15 | 19.0 | 2.5 | 10 |
| 12.0 | 2.0 | 15 | 9.0 | 3.0 | 10 |
| 14.0 | 2.0 | 10 | 10.0 | 3.0 | 10 |
| 16.0 | 2.0 | 10 | 11.0 | 3.0 | 10 |



This 500 piece kit contains the most popular European metric O-ring sizes.

O-RING SPLICE KITS

O-RING SPLICE KIT INCH SIZES

Part Number: 568 SPLICE KIT
List Price: \$ 51.42

Kit Contains:

1. Stock of 70 Durometer Buna O-ring Cord*
2. Razor Blade
3. Splicing tool
4. Tube of Adhesive

Replacement Parts

| Parts: | List Price |
|-----------------|------------|
| 568 SPLICE TOOL | \$10.74 ea |
| 568 ADHESIVE | \$7.70 ea |
| 70 Duro. Cord | |



*Cross Sections: 1/16"(.070), 3/32"(.103), 1/8"(.139), 3/16"(.210), 1/4"(.275).
Length: 7 Feet Each

O-RING SPLICE KIT INCH & METRIC SIZES

Part Number: MET/INCH SPLICE KIT
List Price: \$ 91.11

This kit can produce O-Rings of any standard inch size cross-section plus a wide variety of metric sizes. Each kit contains quick drying adhesive, cutting and splicing jig, razor blade, and 14 lengths of 70 Durometer Buna-N cord stock as follows:

Inch cross-sections: (inch)
1/16" (.070), 3/32" (.103), 1/8" (.139),
3/16" (.210), 1/4" (.275)
Metric cross-sections: (mm)
1.6, 2.0, 2.5, 3.0, 3.5, 4.0, 5.0, 5.7, 8.4
Length: 1 Meter Each



These kits can produce O-Rings of any circumference. The 568 kit contains the most popular inch cross sectional sized O-ring cord. The Metric and Inch Kit has both standard inch size cross sectional cord plus a wide variety of metric sized cord. Both kits contain quick drying adhesive, a cutting and splicing jig, a razor blade and 70 Durometer Buna-N cord.

FLUOROCARBON O-RING SPLICE KIT INCH SIZES

Part Number: 568 FC SPLICE KIT
List Price: \$ 199.42

Kit Contains:

1. Stock of 75 Durometer Fluorocarbon Cord*
2. Razor Blade
3. Splicing tool
4. Tube of Adhesive

Replacement Parts

| Parts: | List Price |
|----------------------------|------------|
| 568 SPLICE TOOL | \$10.74 ea |
| 568 ADHESIVE | \$7.70 ea |
| 75 Duro. Fluorocarbon Cord | |



*Cross Sections: 1/16" (.070), 3/32"(.103), 1/8"(.139), 3/16"(.210),
1/4"(.275). Length: 7 Feet Each

BACK-UP RING KITS

574 BACK-UP RING KIT

Part Number: 574 KIT
List Price: \$ 81.99

| PART NUMBER | QTY | PART NUMBER | QTY |
|-------------|-----|-------------|-----|
| 574-005 | 10 | 574-114 | 10 |
| 574-006 | 10 | 574-115 | 10 |
| 574-007 | 10 | 574-116 | 10 |
| 574-008 | 10 | 574-117 | 5 |
| 574-009 | 10 | 574-118 | 5 |
| 574-010 | 10 | 574-119 | 5 |
| 574-011 | 10 | 574-120 | 5 |
| 574-012 | 10 | 574-121 | 5 |
| 574-013 | 10 | 574-210 | 7 |
| 574-014 | 10 | 574-211 | 7 |
| 574-015 | 10 | 574-212 | 7 |
| 574-016 | 10 | 574-213 | 7 |
| 574-017 | 10 | 574-214 | 5 |
| 574-018 | 10 | 574-215 | 5 |
| 574-110 | 10 | 574-216 | 5 |
| 574-111 | 10 | 574-217 | 5 |
| 574-112 | 10 | 574-218 | 5 |
| 574-113 | 10 | 574-219 | 5 |



This 293 piece kit contains 36 of the most popular size "Parback®" Style Dished Cross Section back-up rings. Molded of 90A Durometer Buna-N Rubber, they stretch for installation and return quickly to their original size. SIZES CORRESPOND TO O-RING NUMBERS. Your shop and service truck should not be without this handy kit.

575 BACK-UP RING KIT

Part Number: 575 KIT
List Price: \$ 180.08

| PART NUMBER | QTY | PART NUMBER | QTY |
|-------------|-----|-------------|-----|
| 575-111 | 25 | 575-216 | 25 |
| 575-112 | 25 | 575-217 | 15 |
| 575-113 | 25 | 575-218 | 15 |
| 575-114 | 25 | 575-219 | 15 |
| 575-115 | 25 | 575-220 | 15 |
| 575-116 | 25 | 575-221 | 15 |
| 575-210 | 25 | 575-222 | 15 |
| 575-211 | 25 | 575-223 | 15 |
| 575-212 | 25 | 575-224 | 15 |
| 575-213 | 25 | 575-325 | 10 |
| 575-214 | 25 | 575-326 | 10 |
| 575-215 | 25 | 575-327 | 10 |



This 475 piece kit contains 24 of the most popular size urethane back-up rings. This assortment is essential for parts counters, shop use, and service trucks.

PTFE BACK-UP RING KIT

Part Number: 575 PTFE KIT S
List Price: \$ 186.94

| PART NUMBER | QTY | PART NUMBER | QTY |
|-------------|-----|-------------|-----|
| 575-005ST | 15 | 575-114ST | 10 |
| 575-006ST | 15 | 575-115ST | 10 |
| 575-007ST | 15 | 575-116ST | 10 |
| 575-008ST | 15 | 575-117ST | 5 |
| 575-009ST | 15 | 575-118ST | 5 |
| 575-010ST | 15 | 575-119ST | 5 |
| 575-011ST | 15 | 575-120ST | 5 |
| 575-012ST | 15 | 575-121ST | 5 |
| 575-013ST | 10 | 575-210ST | 5 |
| 575-014ST | 10 | 575-211ST | 5 |
| 575-015ST | 10 | 575-212ST | 5 |
| 575-016ST | 10 | 575-213ST | 5 |
| 575-017ST | 10 | 575-214ST | 5 |
| 575-018ST | 10 | 575-215ST | 5 |
| 575-110ST | 10 | 575-216ST | 5 |
| 575-111ST | 10 | 575-217ST | 5 |
| 575-112ST | 10 | 575-218ST | 5 |
| 575-113ST | 10 | 575-219ST | 5 |

This 325 piece kit contains 36 of the most popular size PTFE Back-up Rings. These rings are compatible with all hydraulic fluids, since they are virtually chemically inert, and can be used in applications involving elevated operating temperatures. These rings are scarf cut to facilitate installation.



RETAINER RING KITS

SPIRAL WOUND

Part Number: SRR KIT
List Price: \$ 249.79

| PART NUMBER | QTY. | PART NUMBER | QTY. |
|-------------|------|-------------|------|
| WHM-050 | 12 | WSM-050 | 12 |
| WHM-062 | 12 | WSM-062 | 12 |
| WHM-075 | 12 | WSM-075 | 12 |
| WHM-087 | 12 | WSM-087 | 12 |
| WHM-100 | 12 | WSM-100 | 12 |
| WHM-112 | 12 | WSM-112 | 12 |
| WHM-125 | 12 | WSM-125 | 12 |
| WHM-137 | 12 | WSM-137 | 12 |
| WHM-150 | 12 | WSM-150 | 12 |



EATON

Part Number: ERR KIT
List Price: \$ 319.11

| PART NUMBER | QTY. | PART NUMBER | QTY. |
|-------------|------|-------------|------|
| NAN-050 | 12 | XAN-050 | 12 |
| NAN-062 | 12 | XAN-062 | 12 |
| NAN-075 | 12 | XAN-075 | 12 |
| NAN-087 | 12 | XAN-087 | 12 |
| NAN-100 | 12 | XAN-100 | 12 |
| NAN-112 | 12 | XAN-112 | 12 |
| NAN-125 | 12 | XAN-125 | 12 |
| NAN-137 | 12 | XAN-137 | 12 |
| NAN-150 | 12 | XAN-150 | 12 |



Each kit contains: 18 sizes - 9 internal, 9 external • 216 rings per box • 12 rings per size

Each kit has an assortment of retainer rings (Spiral and Eaton style) packed in a reusable plastic box. All rings are made in the USA from carbon spring steel.

EXTERNAL RETAINER RINGS

Part Number: 310 KIT
List Price: \$ 87.83

| PART NUMBER | SHAFT SIZE | QTY. | PART NUMBER | SHAFT SIZE | QTY. |
|-------------|------------|------|-------------|------------|------|
| 310-100 | 1.000 | 5 | 310-200 | 2.000 | 5 |
| 310-125 | 1.250 | 5 | 310-225 | 2.250 | 5 |
| 310-137 | 1.375 | 5 | 310-250 | 2.500 | 5 |
| 310-150 | 1.500 | 5 | 310-275 | 2.750 | 3 |
| 310-175 | 1.750 | 5 | 310-300 | 3.000 | 3 |



These assortments contain the most popular size retainer rings commonly used in many application such as pumps, motors, and forklift cylinders. Boxed in a handy storage and display case, which will supply your shop, service truck, or parts counter with the sizes you need!

INTERNAL RETAINER RINGS

Part Number: 300 KIT
List Price: \$ 166.06

| PART NUMBER | BORE SIZE | QTY. | PART NUMBER | BORE SIZE | QTY. |
|-------------|-----------|------|-------------|-----------|------|
| 300-075 | 0.750 | 10 | 300-200 | 2.000 | 10 |
| 300-087 | 0.875 | 10 | 300-225 | 2.250 | 5 |
| 300-100 | 1.000 | 10 | 300-250 | 2.500 | 5 |
| 300-112 | 1.125 | 10 | 300-275 | 2.750 | 5 |
| 300-125 | 1.250 | 10 | 300-300 | 3.000 | 5 |
| 300-137 | 1.375 | 10 | 300-350 | 3.500 | 5 |
| 300-150 | 1.500 | 10 | 300-400 | 4.000 | 5 |
| 300-162 | 1.625 | 10 | 300-450 | 4.500 | 2 |
| 300-175 | 1.750 | 10 | 300-500 | 5.000 | 2 |



ASSORTMENT KITS

CAT[®] D-RING KIT

Part Number: CTC-4C4784
 List Price: \$ 160.18

| PART NUMBER | ID | QTY. |
|-------------|------|------|
| 1P3700 | 19.0 | 10 |
| 1P3702 | 25.4 | 10 |
| 1P3703 | 31.9 | 10 |
| 1P3704 | 38.2 | 10 |
| 1P3705 | 44.7 | 10 |
| 1P3706 | 51.1 | 10 |
| 1P3707 | 54.2 | 10 |
| 1P3708 | 57.4 | 5 |
| 1P3709 | 63.9 | 5 |



This handy kit, in an unbreakable box, contains the 9 most popular sized D-Rings used on Caterpillar[®] equipment.

CAT[®] SILICONE O-RING KIT

Part Number: CTC-4C8253
 List Price: \$ 431.48

| PART NUMBER | QTY. | PART NUMBER | QTY. |
|-------------|------|-------------|------|
| 8M4986 | 10 | 8M4992 | 3 |
| 8M8157 | 5 | 8M4443 | 3 |
| 8M4437 | 10 | 9M9647 | 3 |
| 8M4438 | 5 | 8M5010 | 3 |
| 8M4389 | 5 | 1S0004 | 5 |
| 8M8283 | 3 | 9H6067 | 5 |
| 8M5252 | 3 | 9M4849 | 5 |
| 8M5661 | 3 | 8M4991 | 3 |
| 8M8515 | 5 | 2S2251 | 5 |
| 8M4432 | 5 | 8M4390 | 3 |
| 8M5248 | 5 | 8M4435 | 5 |
| 8M5254 | 5 | 8M4445 | 5 |
| 9M7002 | 3 | 8M4446 | 5 |
| 8M4436 | 3 | 8M4988 | 5 |
| 8M4987 | 10 | 8M4990 | 3 |
| 8M5249 | 5 | 6L1651 | 3 |



This handy kit, in an unbreakable box, contains 149 silicone o-rings in the 32 most popular sizes used on Caterpillar[®] equipment.

CAT[®] FLANGE KIT

Part Number: CTC-2701545
 List Price: \$ 41.59

| PART NUMBER | QTY. |
|-------------|------|
| 4J0524 | 10 |
| 4J0527 | 10 |
| 4J0522 | 10 |
| 4J5267 | 10 |
| 4J5140 | 10 |
| 4J0520 | 10 |



CAT[®] NITRILE O-RING KIT

Part Number: CTC-4C4782
 List Price: \$ 270.64

| PART NUMBER | QTY. | PART NUMBER | QTY. |
|-------------|------|-------------|------|
| 4J0527 | 10 | 3D2824 | 20 |
| 4J7533 | 20 | 2S4078 | 20 |
| 7J0204 | 20 | 4J0524 | 15 |
| 3J7354 | 20 | 6V9746 | 20 |
| 1J9671 | 20 | 5K9090 | 20 |
| 3J1907 | 20 | 6V8400 | 20 |
| 4K1388 | 20 | 8T0315 | 20 |
| 4J0526 | 10 | 6K6307 | 20 |
| 4J0522 | 15 | 4J0523 | 15 |
| 4J0520 | 15 | 4J5477 | 20 |
| 4J5267 | 20 | 6V8397 | 20 |
| 2M9780 | 20 | 6V8398 | 20 |
| 7M8485 | 20 | 7J9108 | 20 |
| 4J0525 | 10 | 3K0360 | 20 |
| 4J0519 | 15 | 304606 | 20 |
| 4J5140 | 20 | | |



This handy kit, in an unbreakable box, contains 570 nitrile o-rings in the 32 most popular sizes used on Caterpillar[®] equipment.

ASSORTMENT KITS

BULLDOG O-RING KIT

Part Number: BD-959007
List Price: \$ 545.77

227 general purpose silicone O-rings in 53 sizes for high temperature, engine, transmission and hydraulic oil applications.



BULLDOG O-RING KIT

Part Number: BD-959008
List Price: \$ 273.51

227 general purpose nitrile O-rings in 53 sizes for use with fuel oil, gasoline and lubricant applications.



BULLDOG O-RING KIT

Part Number: BD-959010
List Price: \$ 280.04

142 general purpose silicone O-rings in 23 sizes for high temperature, engine, transmission and hydraulic oil applications.



BULLDOG O-RING KIT

Part Number: BD-959012
List Price: \$ 443.86

227 silicone and nitrile O-rings in 53 sizes for general purpose applications.



BULLDOG O-RING KIT

Part Number: BD-959013
List Price: \$ 328.85

225 nitrile O-rings and D-rings in 21 sizes for use with XT series and Code 61 flange fittings.



BULLDOG O-RING KIT

Part Number: BD-959100
List Price: \$ 328.80

243 nitrile O-rings and D-rings in 21 sizes for use with XT series and Code 61 flange fittings.



ASSORTMENT KITS

BULLDOG O-RING KIT

Part Number: CT-2701528

List Price: \$ 286.34

570 nitrile O-rings in 32 sizes for use with SAE O-ring face seal, SAE straight thread O-ring, and SAE code 61/62 connections.



BULLDOG O-RING KIT

Part Number: CT-2701533

List Price: \$ 317.81

149 general purpose silicone O-rings in 32 sizes for use with hose couplings, engines and transmissions.



BULLDOG O-RING KIT

Part Number: CT-2701535

List Price: \$ 116.84

80 nitrile D-rings in 9 sizes for use with XT-5 and XT-6 flange connections.



BULLDOG O-RING KIT

Part Number: CT-2701537

List Price: \$ 90.41

125 nitrile O-rings in 10 sizes for use with metric adapters.



BULLDOG O-RING KIT

Part Number: CT-2701539

List Price: \$ 67.16

120 nitrile O-rings in 8 sizes for use with face seal hose coupling and adapter fittings.



BULLDOG O-RING KIT

Part Number: CT-2701545

List Price: \$ 44.96

60 nitrile O-rings in 6 sizes for use with Code 61 and XT-3 hose couplings and flange fittings.



ASSORTMENT KITS

BULLDOG O-RING KIT

Part Number: CT-4C4782
List Price: \$ 272.71

580 nitrile O-rings in 32 sizes for use with XT-3, O-ring face seal and O-ring boss connections.



BULLDOG O-RING KIT

Part Number: CT-4C4784
List Price: \$ 109.51

80 nitrile D-rings in 9 sizes for use with XT-5 and XT-6 flange connections.



BULLDOG O-RING KIT

Part Number: CT-4C4786
List Price: \$ 41.19

85 nitrile O-rings in 7 sizes for use with air conditioning fittings.



BULLDOG O-RING KIT

Part Number: CT-4C4788
List Price: \$ 86.11

125 nitrile O-rings in 10 sizes for use with metric adapters.



BULLDOG O-RING KIT

Part Number: CT-4C5859
List Price: \$ 59.82

120 nitrile O-rings in 8 sizes for use with face seal hose coupling and adapter fittings.



BULLDOG O-RING KIT

Part Number: CT-4C8253
List Price: \$ 302.96

149 general purpose silicone O-rings in 32 sizes for use with hose couplings, engines and transmissions.



ASSORTMENT KITS AND TOOLS

ASSORTMENT KITS

BULLDOG O-RING KIT

Part Number: CT-9S3135
List Price: \$ 41.94

60 nitrile O-rings in 6 sizes for use with Code 61 and XT-3 hose couplings and flange fittings.



BULLDOG O-RING KIT

Part Number: JH-AT85197
List Price: \$ 86.90

80 nitrile O-rings in 8 sizes for use with face seal hose coupling and adapter fittings.



JOHN DEERE O-RING KIT

Part Number: JD-32X451
List Price: \$ 61.70

This John Deere O-Ring kit contains a total of 451 components, 70 Shore A and 90 Shore A O-rings. OEM parts numbered for easy reference.

CONTENTS OF KIT

- 160 flat-face fittings
- 291 low pressure fittings



| PART NUMBER | QTY. | PART NUMBER | QTY. |
|-------------|------|-------------|------|
| R26976 | 20 | T76938* | 20 |
| R27490 | 20 | R495R | 10 |
| A4365R | 20 | R27149 | 10 |
| T77814* | 20 | A4730R* | 10 |
| T77613* | 20 | T78612* | 20 |
| T77857* | 20 | A3606R | 10 |
| F3353R | 13 | R1225R | 10 |
| P46051 | 13 | R29463 | 10 |
| R394R | 13 | U12037 | 10 |
| R459R | 13 | T78784* | 20 |
| T77932* | 20 | R30319 | 10 |
| R34404 | 13 | U10289 | 10 |
| T77858* | 20 | T11220 | 10 |
| P47889 | 13 | R31378 | 10 |
| 32240 | 13 | B3690R | 10 |
| B2762R | 10 | P50631 | 10 |

* Used for ORS fittings.

JOHN DEERE O-RING KIT

Part Number: JD-AT85197
List Price: \$ 24.97

This kit contains a total of 80, 90 Durometer o-rings in 8 popular sizes used on John Deere equipment.



| PART NUMBER | FITTING. | QTY. |
|-------------|----------|------|
| T77814 | #4 | 10 |
| T77613 | #6 | 12 |
| T77857 | #8 | 12 |
| T77932 | #10 | 12 |
| T77858 | #12 | 12 |
| T76938 | #16 | 12 |
| T78612 | #20 | 5 |
| T78784 | #24 | 5 |

KOMATSU O-RING KIT

Part Number: KOM-30-KU-90
List Price: \$ 303.37

This handy kit, in an unbreakable box, contains 74 21T series o-rings & 165 07000-1 series o-rings in the most popular sizes used on Komatsu equipment.



| PART NUMBER | QTY. | PART NUMBER | QTY. | PART NUMBER | QTY. |
|--------------|------|-------------|------|-------------|------|
| 21T-09-11410 | 10 | 07000-12010 | 10 | 07000-13025 | 7 |
| 21T-09-11420 | 8 | 07000-12011 | 10 | 07000-13028 | 7 |
| 21T-09-11430 | 7 | 07000-12012 | 10 | 07000-13030 | 7 |
| 21T-09-11440 | 7 | 07000-12014 | 10 | 07000-13032 | 7 |
| 21T-09-11450 | 7 | 07000-12015 | 10 | 07000-13035 | 7 |
| 21T-09-11460 | 7 | 07000-12016 | 10 | 07000-13038 | 5 |
| 21T-09-11470 | 7 | 07000-12018 | 10 | 07000-13040 | 9 |
| 21T-09-11480 | 7 | 07000-12020 | 10 | 07000-13042 | 7 |
| 21T-09-11490 | 7 | 07000-12055 | 8 | 07000-13045 | 7 |
| 21T-09-11510 | 7 | 07000-13022 | 7 | 07000-13048 | 7 |

ASSORTMENT KITS

THE ULTIMATE NITRILE O-RING ASSORTMENT

Part Number: 568 KIT-ULTIMATE

List Price: \$ 3968.94



Includes: 12 drawers and 3 slide racks, plus base. Total weight 232 lbs.

214 Items, 1324 Pieces.

Sizes Include:

-001 THRU -010

-012 THRU -050

-106 THRU -163

-204 THRU -262

-314 THRU -355

-425 THRU -429

3 racks - each one is: 20" wide x 15-3/4" deep x 15" high

1 base - 20-3/8" wide x 16" deep x 15-1/8" high

Approximately 61" from top to bottom

THE ULTIMATE FLUOROCARBON O-RING ASSORTMENT

Part Number: 568 FC KIT-ULTIMATE

List Price: \$ 8392.94



Includes: 12 drawers and 3 slide racks, plus base. Total weight 232 lbs.

214 Items, 1324 Pieces.

Sizes Include:

-001 THRU -010

-012 THRU -050

-106 THRU -163

-204 THRU -262

-314 THRU -355

-425 THRU -429

3 racks - each one is: 20" wide x 15-3/4" deep x 15" high

1 base - 20-3/8" wide x 16" deep x 15-1/8" high


Approximately 61" from top to bottom

ASSORTMENT KITS

COTTER PIN KIT

Part Number: COTTER PIN KIT

List Price: \$ 37.23

| | | |
|---|-----------------------------|------------------------------|
|  | 1/8" X 1-1/4" 75 pcs. | 3/32" X 1" 150 pcs. |
| | 1/8" X 1-1/4" 75 pcs. | 3/32" X 1-1/2" 100 pcs. |
| | 1/8" X 2" 50 pcs. | 5/32" X 2-1/2" 30 pcs. |


555 Pieces



WOODRUFF KEY KIT

Part Number: WOODRUFF KEYS KIT

List Price: \$ 83.03

| | | |
|---|----------------------------------|----------------------------------|
|  | 1/8" X 1/2" No. 3 16 pcs. | 1/8" X 5/8" No. 5 15 pcs. |
| | 3/32" X 5/8" No. 6 15 pcs. | 3/16" X 3/4" No. 9 10 pcs. |
| | 1/4" X 7/8" No. A 5 pcs. | 1/4" X 1" No. 15 4 pcs. |


65 Pieces



GREASE FITTING KIT

Part Number: GREASE FITTING KIT

List Price: \$ 45.00

| | | |
|---|---|--|
|  | 1/8" NPT Straight 6 pcs. | 1/4" - 28 Straight 6 pcs. |
| | 3/16" Drive Straight 4 pcs. | 1/8" NPT 45 1/8" NPT 90 3 pcs. ea. |
| | 1/4" - 28 45 1/4" - 28 90 3 pc. ea. | 5/16" Drive Straight 4 pcs. |


32 Pieces



GREASE FITTING KIT-A

Part Number: GREASE FITTING KIT-A

List Price: \$ 40.00

| | | |
|--|-----------------------------------|--|
|  | 1/8" PT Straight 25 pcs. | 1/8" PT 45° 1/8" PT 90° 1/8" PT 7.5° 5 pcs. |
| | 1/4"-28 PT Straight 50 pcs. | 1/4"-28 PT 45° 1/4"-28 PT 90° 5 pcs. |


100 Pieces



NYLON PLUG KIT

Part Number: NYLON PLUG KIT

List Price: \$ 112.35

| | | | | |
|---|---|--|---|---|
|  | Nyplug-125-125 1/8" x 1/8" 20 pcs. | Nyplug-187-109 3/16" x 7/64" 20 pcs. | Nyplug-250-125 1/4" x 1/8" 20 pcs. | |
| | Nyplug-125-156 1/8" x 5/32" 20 pcs. | Nyplug-187-187 3/16" x 3/16" 20 pcs. | Nyplug-250-187 1/4" x 3/16" 20 pcs. | Nyplug-312-125 5/16" x 1/8" 20 pcs. |
| | Nyplug-125-875 1/8" x 7/8" 20 pcs. | Nyplug-187-250 3/16" x 1/4" 20 pcs. | Nyplug-250-250 1/4" x 1/4" 20 pcs. | Nyplug-375-250 3/8" x 1/4" 20 pcs. |

220 Pieces
11 Sizes



SET SCREW KIT

Part Number: SSK-INCH

List Price: \$ 62.05



Use these set screws in confined areas, where there is no room for a protruding head. Nine coarse sizes, three fine sizes.

Hex wrench shown not included. Coarse sizes: 1/8"-40 x 3/16", 5/32"-32 x 3/16", 3/16"-24 x 1/4", 1/4"-20 x 1/4", 1/4"-20 x 3/8", 5/16"-18 x 3/8", 5/16"-18 x 1/2", 3/8"-16 x 3/8", and 3/8"-16 x 1/2".

Fine sizes: 1/4"-28 x 1/4", 5/16"-24 x 3/8", 3/8"-24 x 3/8"

ASSORTMENT KITS & INSTALLATION TOOLS

CAP PLUG KIT

Part Number: CAP PLUG KIT
List Price: \$ 217.53



Our new and improved cap plug kit contains 22% more cap plugs in an environmentally friendly corrugated box. Separated areas hold 625 cap plugs in 24 of the most popular sizes.

| Cap Plug Number | QTY | Cap Plug Number | QTY | Cap Plug Number | QTY |
|-----------------|-----|-----------------|-----|-----------------|-----|
| CAP-2-X | 50 | CAP-PD-100 | 25 | CAP-G-22 | 20 |
| CAP-4 | 50 | CAP-PD-120 | 25 | CAP-G-25 | 20 |
| CAP-6-X | 50 | CAP-PD-140 | 20 | CAP-G-27 | 20 |
| CAP-9 | 50 | CAP-PD-160 | 20 | CAP-P-28 | 25 |
| CAP-12-X | 25 | CAP-G-2 | 20 | CAP-P-38 | 25 |
| CAP-14 | 20 | CAP-G-8 | 20 | CAP-P-48 | 25 |
| CAP-PD-60 | 25 | CAP-G-14 | 20 | CAP-P-68-H | 25 |
| CAP-PD-80 | 25 | CAP-G-18 | 20 | CAP-P-88-H | 20 |

CAP PLUG CASE

Part Number: CAP PLUG CASE
List Price: \$ 111.62

This rugged case has 24 empty compartments to hold a limited variety of cap plugs from the master kit (shown above).

Case only - cap plugs sold separately.



SEAL TOOL KIT

Part Number: SEAL TOOL KIT
Net Price: \$ 320.16

- Kit contains:
- Piston seal compressor
 - Pick set
 - Pi Tape
 - Seal installation tool set
 - Wear strip cutter
 - O-ring adhesive
 - Precision cord cutter
 - Seal install and remove tool
 - O-ring detector



QUALITY ROD U-SEAL INSTALLATION TOOLS



| Part Number | Seal ID Range | Max Heel Cross Section | Net Price | |
|-------------|------------------|------------------------|-----------|----------|
| IT 100 | 3/4" to 1-1/4" | 19 - 31 mm | 0.300" | \$ 22.59 |
| IT 150 | 1-3/8" to 1-7/8" | 35 - 47 mm | 0.360" | 22.59 |
| IT 200 | 2" to 3" | 51 - 76 mm | 0.600" | 22.59 |
| IT 100-NN | 3/4" to 1-1/4" | 19 - 31 mm | 0.300" | 21.78 |
| IT 150-NN | 1-3/8" to 1-7/8" | 35 - 47 mm | 0.360" | 21.78 |
| IT 200-NN | 2" to 3" | 51 - 76 mm | 0.600" | 21.78 |

These tools aid U-seal installation, eliminating the risk of damaging the seal lip. NN = Without Hercules® logo.

Usage Instructions online at www.HerculeUS.com / Inquiry Forms / Technical Assistance.

VALUE ROD U-SEAL INSTALLATION TOOLS



| Part Number | Seal ID Range | Net Price | |
|-----------------|------------------|-------------|----------|
| SEAL TWISTOR M | 1-3/16" to 2" | 30 - 50 mm | \$ 12.00 |
| SEAL TWISTOR L | 2" to 2-3/4" | 50 - 70 mm | 13.50 |
| SEAL TWISTOR XL | 2-3/4" to 6-1/2" | 70 - 165 mm | 15.00 |

These tools aid Rod U-seal installation, eliminating the risk of damaging the seal lip.

Usage Instructions online at www.HerculeUS.com / Inquiry Forms / Technical Assistance.

INSTALLATION / SPLICING / CUTTING TOOLS

INSTALLATION TOOL SET

Part Number: IT TOOL SET-A

Net Price: \$ 43.20

| Sizes Included | Max Heel Cross Section |
|------------------|------------------------|
| S (22 - 30 mm) | 6.6 mm |
| M (30 - 50 mm) | 10.7 mm |
| L (50 - 70 mm) | 19.3 mm |
| XL (70 - 165 mm) | 27.1 mm |



This handy tool set has 4 different size installation tools, along with a holder.

O-RING SPLICE TOOL

Part Number: OR SPLICER

Net Price: \$ 30.00

- Splicing tool for o-rings
- For cross section diameter from 2.5 to 20 mm
- Clamping plates for locking
- Aluminium stands for use with glue or heat



SEAL CLASPER

Part Number: SEAL CLASPER

Net Price: \$ 98.00



The Seal clasper is designed to press a PTFE piston seal back into the groove. The clasper works on seals from 50mm to 360mm OD. It allows a piston seal to be installed into a cylinder safely and rapidly.

The stainless steel belt can be adjusted according to the dimension of seals. The HPU triangle protector prevents seal damage.

How to use:

1. Adjust the length of stainless steel belt to match the seal.
2. Pull the grid to clasp the PTFE piston seal back into groove.

SPLICE IRON

Part Number: SEAL HEATER

Net Price: \$ 42.00



100 to 400°C

O-RING SPLICE KIT

Part Number: OR SPLICE KIT

Net Price: \$ 133.71

Kit contains:

- Splice iron
- Pi tape
- Grinding tool
- O-ring adhesive
- Precision cord cutter
- Splice tool



WEAR STRIP CUTTER

Part Number: WS CUTTER

Net Price: \$ 22.80



Cut your own wear rings to exact dimensions.

CUTTING / CHOPPING / REMOVAL TOOLS

CUTTER BLADES

Part Number: WS CUTTER BLADE
Net Price: \$ 7.50



Quantity of 10 Wear Strip
Cutter Blades.

OIL SEAL REMOVAL & INSTALLATION TOOL

Part Number: SR TOOL
Net Price: \$ 60.20



O-RING CORD CHOPPER

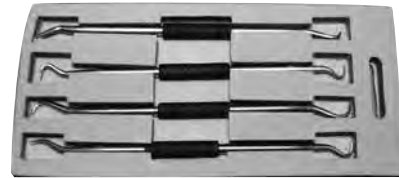
Part Number: ORC CHOPPER
Net Price: \$ 32.40



- Cuts o-ring cord to prepare it for splicing
- Suitable for cross section from 0.103 to 0.551 inches (2.62 to 14 mm)

O-RING PICK SET

Part Number: OR HOOK
List Price: \$ 6.50



This Value package of O-ring Picks in plastic carrying case, aid in the installation and extraction of O-rings.

CHOPPER BLADES

Part Number: ORC CHOPPER BLADE
Net Price: \$ 6.00



Quantity of 20 Chopper
Blades.

O-RING PICK SET 1

Part Number: O-RING PICK
Net Price: \$ 6.00

These Bronze O-ring Picks, w/ black vinyl case, aid in the installation and extraction of O-rings.



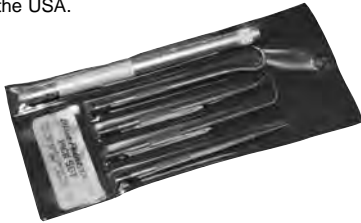
REMOVAL TOOLS

O-RING PICK SET 2

Part Number: O PICK SET

Net Price: \$ 28.20

Designed for heavy duty use and packaged in a clear vinyl pouch, this kit contains a knurled handle and four screw-in picks with different hook configurations. Set includes straight tip, o-ring 90° tip, hook tip, and angle tip. Made in the USA.



SNAP-ON O-RING PICK SET 4

Part Number: MAXI PICK SET

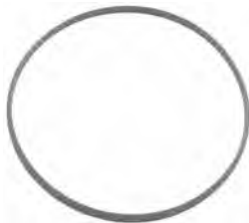
Net Price: \$ 55.74

Designed for heavy duty use and packaged in a plastic pouch, these highly visible picks feature screwdriver-type colored handles. Set includes awl, hook tip, 45° bent tip tool, and 90° bent tip tool. Made in the USA.



GLAND REMOVAL TOOLS

| Part Number | Bore Diameter | List Price |
|-----------------|---------------|------------|
| JD-6.00X0.40-IT | 6" | \$ 24.13 |
| JD-70MM-IT | 70 mm | 8.34 |
| JD-80MM-IT | 80 mm | 8.92 |
| JD-90MM-IT | 90 mm | 9.81 |
| JD-100MM-IT | 100 mm | 11.31 |



CHEVRON ASSEMBLY TOOL

Part Number: CM-376-9067-001

Net Price: \$ 52.30

Vee Packing assembly tool for Telescopic Cylinders.

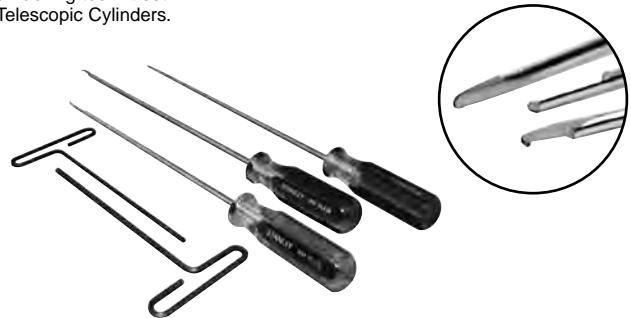


5 PIECE TOOL KIT SET

Part Number: CH-TK-1

Net Price: \$ 84.94

Vee Packing tool kit set for Telescopic Cylinders.



8 PIECE O-RING PICK SET

Part Number: O PICK SET-A

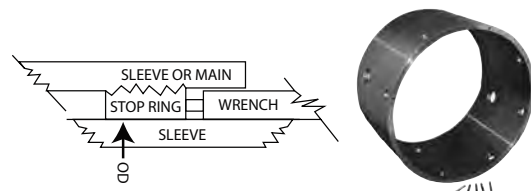
Net Price: \$ 18.00

This economical seal pick tool set lowers your chance of surface damage. It contains 8 different hard metal hooks with sturdy plastic handles. The kit also comes with a twist lid for easy carrying.



STOP RING WRENCH

| Part Number | Sleeve or Plunger O.D. | Pins | Net Price |
|-----------------|-----------------------------|--------|-----------|
| CM-376-6067-047 | 2-3/4" | 5 Pins | \$ 239.92 |
| CM-376-6067-048 | 3-3/4" | 5 Pins | 272.2 |
| CM-376-6067-049 | 4-3/4" | 5 Pins | 287.28 |
| CM-376-6067-050 | 5-3/4" | 5 Pins | 322.08 |
| CM-376-6067-051 | 6-3/4" | 5 Pins | 340.1 |
| CM-376-6067-052 | 7-7/8" | 5 Pins | 404.57 |
| CM-376-6067-053 | 9-3/8" | 5 Pins | 462.72 |
| CM-391-2086-007 | Replacement Stop Wrench Pin | | 2.88 |



REMOVAL TOOLS

11 PIECE PACKING TOOL KIT

Part Number: PACK TOOL SET-11
Net Price: \$ 125.83



| Part Number | QTY | Part Number | QTY |
|-------------|-----|-------------|-----|
| FPH-312R | 2 | FPH-RTC312 | 1 |
| FPH-437R | 2 | FPH-RTC437 | 1 |
| SSP-125 | 1 | WRENCH | 1 |
| SSP-187 | 1 | BOX | 1 |
| SSP-312 | 1 | | |

REPLACEABLE WOODSCREW TIPS

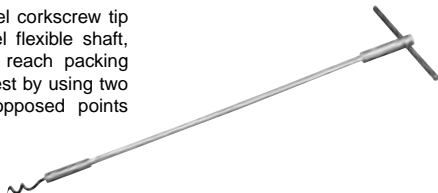
| Part Number | Packing Space | Net Price |
|-------------|---------------|-----------|
| FPH-RTW312 | 5/16"-up | \$ 7.67 |
| FPH-RTW437 | 7/16"-up | 9.00 |
| FPH-RTW500 | 1/2"-up | 9.50 |



FLEXIBLE PACKING HOOKS

| Part Number | Packing Space | Length | Net Price |
|-------------|---------------|---------|-----------|
| FPH-187 | 3/16"-up | 6-1/2" | \$ 14.83 |
| FPH-312R | 5/16"-up | 7-1/2" | 14.50 |
| FPH-437R | 7/16"-up | 10-1/2" | 15.67 |
| FPH-500R | 1/2"-up | 14-1/2" | 21.83 |

With a tempered tool steel corkscrew tip and a woven strand steel flexible shaft, this tool makes hard to reach packing easy to pull out. Works best by using two hooks at diametrically opposed points (180°).



17 PIECE PACKING TOOL KIT

Part Number: PACK TOOL SET-17
Net Price: \$ 207.17



| Part Number | QTY | Part Number | QTY |
|-------------|-----|-------------|-----|
| FPH-312R | 2 | FPH-RTC437 | 1 |
| FPH-437R | 2 | FPH-RTC500 | 1 |
| FPH-500R | 2 | FPH-RTW312 | 1 |
| SSP-125 | 1 | FPH-RTW437 | 1 |
| SSP-187 | 1 | FPH-RTW500 | 1 |
| SSP-312 | 1 | WRENCH | 1 |
| FPH-RTC312 | 1 | BOX | 1 |

REPLACEABLE CORKSCREW TIPS

| Part Number | Packing Space | Net Price |
|-------------|---------------|-----------|
| FPH-RTC312 | 5/16"-up | \$ 5.33 |
| FPH-RTC437 | 7/16"-up | 6.83 |
| FPH-RTC500 | 1/2"-up | 8.83 |



SOLID SHAFT PICKS

| Part Number | Packing Space | Length | Net Price |
|-------------|---------------|--------|-----------|
| SSP-125 | 1/8 -up | 9-1/2" | \$ 9.17 |
| SSP-187 | 3/16 -up | 10" | 9.83 |
| SSP-312 | 5/16"-up | 10" | 19.33 |

Formed from hardened steel, this tool's length and sharp angled point gets at hard to reach o-rings, back-up rings & braided packing. You'll be amazed at all the uses you find for this tool.



DISMANTLING TOOLS

SPANNER WRENCHES

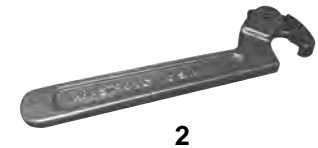
(1) ADJUSTABLE HEAD — PIN STYLE

| PART NUMBER | PART OD RANGE | PIN DIA. | PIN LGTH. | NET PRICE |
|----------------|-----------------------------------|----------|-----------|-----------|
| SPAP-2.00X0.13 | 3/4" to 2" (19mm to 50mm) | 1/8" | 1/8" | \$ 39.52 |
| SPAP-2.00X0.19 | 3/4" to 2" (19mm to 50mm) | 3/16" | 5/32" | 39.47 |
| SPAP-3.00X0.19 | 1-1/4" to 3" (32mm to 76mm) | 3/16" | 3/16" | 47.13 |
| SPAP-3.00X0.25 | 1-1/4" to 3" (32mm to 76mm) | 1/4" | 7/32" | 47.88 |
| SPAP-4.75X0.25 | 2" to 4-3/4" (51mm to 120mm) | 1/4" | 1/4" | 79.80 |
| SPAP-6.25X0.38 | 4-1/2" to 6-1/4" (115mm to 159mm) | 3/8" | 1/4" | 84.17 |



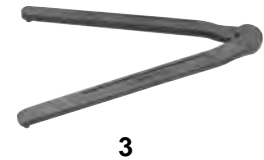
(2) ADJUSTABLE HEAD — HOOK STYLE

| PART NUMBER | PART OD RANGE | HOOK WD. | HOOK DP. | NET PRICE |
|-------------|-----------------------------------|----------|----------|-----------|
| SPAH-2.00 | 3/4" to 2" (19mm to 50mm) | 11/32" | 1/8" | \$ 39.42 |
| SPAH-3.00 | 1-1/4" to 3" (32mm to 76mm) | 13/32" | 5/32" | 43.43 |
| SPAH-4.75 | 2" to 4-3/4" (51mm to 120mm) | 15/32" | 3/16" | 65.63 |
| SPAH-6.25 | 4-1/2" to 6-1/4" (115mm to 159mm) | 15/32" | 1/4" | 68.95 |
| SPAH-8.75 | 6-1/8" to 8-3/4" (155mm to 222mm) | 15/32" | 5/16" | 75.62 |

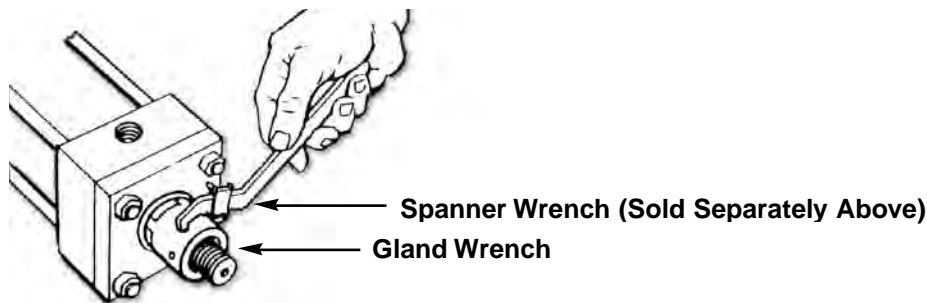


(3) ADJUSTABLE FACE — PIN STYLE

| PART NUMBER | DIA. RANGE (CENTER TO CENTER) | PIN DIA. | PIN LGTH. | NET PRICE |
|-----------------|-------------------------------|----------|-----------|-----------|
| SPAPF-2.00X0.19 | 5/8" to 2" (16mm to 50mm) | 3/16" | 1/8" | \$ 35.57 |
| SPAPF-3.00X0.25 | 5/8" to 3" (16mm to 76mm) | 1/4" | 3/16" | 46.47 |
| SPAPF-4.00X0.31 | 5/8" to 4" (16mm to 101mm) | 5/16" | 1/4" | 60.70 |



PARKER GLAND WRENCHES



| Rod Dia. | Kit # | ID X OD X HT | Net Price | Spanner (Sold Separately Above) |
|-------------------------|------------|-----------------------------|-----------|----------------------------------|
| 1/2", 5/8", 12mm & 14mm | PKH-069590 | 11/16" X 1-1/8" X 1-3/8" | \$ 33.78 | SPAP-2.00X0.19 |
| 18mm | PKH-084765 | 13/16" X 1-1/4" X 1-7/16" | 31.67 | SPAP-2.00X0.19 or SPAP-3.00X0.19 |
| 1" & 22mm | PKH-069591 | 1-1/16" X 1-5/8" X 1-1/2" | 20.40 | SPAP-2.00X0.19 or SPAP-3.00X0.19 |
| 28mm | PKH-084766 | 1-1/4" X 1-11/16" X 1-9/16" | 30.29 | SPAP-2.00X0.19 or SPAP-3.00X0.19 |
| 1-3/8" & 36mm | PKH-069592 | 1-7/16" X 1-7/8" X 1-5/8" | 39.51 | SPAP-2.00X0.19 or SPAP-3.00X0.19 |
| 1-3/4" & 45mm | PKH-069593 | 1-13/16" X 2-1/4" X 1-5/8" | 37.56 | SPAP-3.00X0.25 or SPAP-4.75X0.25 |
| 2" | PKH-069594 | 2-1/16" X 2-1/2" X 2" | 42.07 | SPAP-3.00X0.25 or SPAP-4.75X0.25 |
| 2-1/2" & 56mm | PKH-069595 | 2-9/16" X 3" X 2-1/8" | 73.67 | SPAP-3.00X0.25 or SPAP-4.75X0.25 |
| 70mm | PKH-069596 | 2-15/16" X 3-1/2" X 2-3/8" | 90.38 | SPAP-4.75X0.25 |

REMANUFACTURING TOOLS

SUNNEN PORTABLE HONES - AN-815 AND ANR-275

Part Number: H-AN-815
Net Price: \$ 614.04



Additional sizes and accessories shown below.

Hand Feed - ID Range 64-533 mm (2.500" - 21.000")
 For occasional heavy-duty portable honing

Illustration shows standard AN-815 Portable Hone assembled with single length master holder set and stone set. Requires 16 mm (5/8") chuck capacity for 63.5-127 mm (2.5"-5") diameter. Requires 19mm (3/4") chuck capacity for 127-381 mm (5"-15") diameter. Requires 25.4 mm (1") chuck capacity for larger than 381 mm (15") diameter.

Weight 2.3 kg (5 lbs).

Part Number: H-ANR-275
Net Price: \$ 2150.00



Additional sizes and accessories shown below.

Remote Feed - ID Range 64-533 mm (2.500" - 21.000")
 For production heavy-duty honing - to be used in a machine or honing rig.

Illustration shows the ANR-275 Portable Hone assembled with Stone Support, Single Length Master Holder Set, Stone Set and 76 mm (3") Drive Shank. (3/4") chuck capacity for 127-381 mm (5"-15") diameter. Requires 16 mm (5/8") chuck capacity for 63.5-127 mm (2.5"-5") diameter. Requires 19 mm (5/8") diameter. Requires 25.4 mm (1") chuck capacity for larger than 381 mm (15") diameter.

Weight 5.2 kg (11.5 lbs).

| FOR A COMPLETE PORTABLE HONE ORDER A + B + C + D + E | | | | A - BASIC HONE | B - MASTER HOLDER SETS | | | | C - STONE SUPPORT | | D - STONE SET | E - SHAFT EXTENSION |
|---|-----------|---------------------------------|-------------|--|------------------------|-------------|---------------|-------------|-------------------|-----------|---|--|
| Diameter Range | | | | | Single Length | | Double Length | | Part Number | Net Price | | |
| General Purpose Stone Sets | | Guideless and Keyway Stone Sets | | | Part Number | Net Price | Part Number | Net Price | | | | |
| mm | Inches | mm | Inches | Part Number | Net Price | Part Number | Net Price | Part Number | Net Price | | | |
| 64-140 | 2.5-5.5 | 64-142 | 2.5-5.6 | See Hones H-AN-815 and H-ANR-275 Above | None | - | None | - | None | - | See Table on the next page for portable hone stone sets | For long holes - see table below for Shaft Extensions. |
| 104-160 | 4.1-6.3 | 114-165 | 4.5-6.5 | | H-AN-345 | \$ 108.36 | None | - | None | - | | |
| 119-178 | 4.7-7.0 | 130-183 | 5.1-7.2 | | H-AN-355 | 110.42 | H-AN-855 | \$ 154.80 | None | - | | |
| 152-229 | 6.0-9.0 | 163-234 | 6.4-9.2 | | H-AN-365 | 112.49 | H-AN-865 | 162.02 | H-AN-260 | \$ 66.05 | | |
| 206-305 | 8.1-12.0 | 213-310** | 8.4-12.2** | | H-AN-375 | 114.55 | H-AN-875 | 163.06 | H-AN-280 | 84.11 | | |
| 279-381 | 11.0-15.0 | 284-386** | 11.2-15.2** | | H-AN-385 | 118.68 | H-AN-885 | 168.22 | H-AN-290 | 99.85 | | |
| 356-457 | 14.0-18.0 | 363-465** | 14.3-18.3** | See hones above | H-AN-395 | 121.78 | H-AN-895 | 169.25 | H-AN-340 | 117.65 | | |
| 432-533 | 17.0-21.0 | 437-538** | 17.2-21.2** | | H-AN-415 | 127.97 | H-AN-915 | 173.38 | H-AN-450 | 138.29 | | |

* For light work only in this diameter range.
 ** Do not use WW (Guideless) Stone Sets in this range due to lack of stability.

| Length | | Drive Shanks | | AN-815 Shaft Extensions | | AN-275 Shaft Extensions | | Master Holder Sets and Stone Supports | | | |
|--------|--------|--------------|-----------|-------------------------|-----------|-------------------------|-----------|--|--|--|--|
| | | | | | | | | | | | |
| mm | Inches | Part Number | Net Price | Part Number | Net Price | Part Number | Net Price | | | | |
| 76 | 3 | H-AN-608A** | \$ 23.74 | None | - | None | - | | | | |
| 152 | 6 | H-AN-618A* | 32.80 | H-AN-840 | \$ 36.84 | None | - | | | | |
| 235 | 9.25 | None | - | None | - | H-ANR-741 | 348.00 | Master Holder Sets, listed in the table above, are used with Type W47, WW51 and WY51 Stone Sets. Double Length Master Holders require two stone sets - use when the bore is more than 457 mm (18") long or when it is necessary to bridge interruptions in the bore. Each Master Holder Set consists of two holders for stones and two holders for guides. Stone Supports are required to give rigidity to the hone assembly when honing bores larger than 178 mm (7") diameter. Stone length is 102 mm (4") or 203 mm (8") when two sets of stones are used with double length master holder set. | | | |
| 305 | 12 | None | - | H-AN-841* | 47.47 | None | - | | | | |
| 483 | 19 | None | - | None | - | H-ANR-742 | 398.00 | | | | |
| 610 | 24 | None | - | H-AN-842 | 165.12 | None | - | | | | |
| 1086 | 42.75 | None | - | None | - | H-ANR-744 | 464.00 | | | | |
| 1220 | 48 | None | - | H-AN-844 | 199.18 | None | - | | | | |
| 1835 | 72.25 | None | - | None | - | H-ANR-746 | 580.00 | | | | |

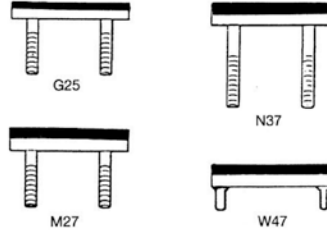
* Supplied with AN-815 hone. ** Supplied with ANR-275 hone.

ASSORTMENT KITS AND TOOLS

REMANUFACTURING TOOLS

SUNNEN HONE STONE SETS FOR AN-815 AND ANR-275

Sunnen Stone Sets for 2.5" to 60" diameter, portable tools (two stones and two guides per set). Stone length is 102 mm (4") or 203 mm (8") when two sets of stones are used with double length master holder set. For Industrial applications. From fast stock removal in deburred, bored, ground, or reamed holes to fine finishing in previously honed holes, these hone stone sets are in stock and ready for next day delivery.



| Stone Number | Diameter |
|--------------|-------------|
| G25 | 2.5 - 2.7 |
| M27 | 2.7 - 4.1 |
| N37 | 3.5 - 5.5 |
| W47 | 4.1 - 60.0* |

* Requires Master Holder Set - Limited to 21" with H-AN-815

ALUMINUM OXIDE STONES

| MODEL | | G25 | | M27 | | N37 | | W47 | |
|------------------|-------------|----------------------------|-----------|-----------------------------|-----------|------------------------------|-----------|---------------------------------|-----------|
| GRIT SIZE | | 64 TO 69 mm 2.5" - 2.7" | NET PRICE | 69 TO 104 mm 2.7" - 4.1" | NET PRICE | 89 TO 140 mm 3.5" - 5.5" | NET PRICE | 104 TO 1524 mm 4.1" - 60"*** | NET PRICE |
| 80 | HARD - SOFT | H-G25-A23 | \$ 20.50 | H-M27-A23 | \$ 20.50 | H-N37-A23 | \$ 20.50 | H-W47-A23 | \$ 22.30 |
| | | H-G25-A25 | 20.50 | H-M27-A25 | 20.50 | H-N37-A25 | 20.94 | H-W47-A25 | 23.02 |
| | | H-G25-R25X | 35.90 | H-M27-R25X | 35.90 | H-N37-R25X | 20.95 | H-W47-R25X | 23.01 |
| | | H-G25-A27 | 20.50 | H-M27-A27 | 20.50 | H-N37-A27 | 20.50 | H-W47-A27 | 22.30 |
| 150 | H - S | H-G25-A43 | \$ 20.50 | H-M27-A43 | \$ 20.50 | H-N37-A43 | \$ 20.95 | H-W47-A43 | \$ 23.01 |
| | | H-G25-A45 | 20.50 | H-M27-A45 | 20.50 | H-N37-A45 | 20.95 | H-W47-A45 | 23.01 |
| | | H-G25-A47 | 20.50 | H-M27-A47 | 20.50 | H-N37-A47 | 20.50 | H-W47-A47 | 22.30 |
| | | - | - | H-M27-A49 | 20.50 | H-N37-A49 | 20.50 | H-W47-A49 | 22.30 |
| 220 | H - S | - | - | - | - | H-N37-A55 | \$ 20.50 | H-W47-A55 | \$ 22.30 |
| 280 | H - S | - | - | - | - | - | - | H-W47-A63 | \$ 22.30 |
| | | H-G25-A65 | \$ 20.50 | H-M27-A65 | \$ 20.50 | H-N37-A65 | \$ 20.50 | H-W47-A65 | 23.02 |
| | | - | - | H-M27-A67 | 20.50 | - | - | H-W47-A67 | 22.30 |
| MODEL | | GY25 | | MY33 | | NY40 | | WY51 | |
| MAX KEYWAY WIDTH | | 20.3 mm 0.8" | | 22.86 mm 0.9" | | 30.48 mm 1.2" | | 35.56 mm 1.4" | |
| GRIT SIZE | | 64 TO 84 mm 2.5" - 3.3" | | 84 TO 107 mm 3.3" - 4.2" | | 102 TO 142 mm 4.0" - 5.6" | | 114 TO 1524 mm 4.5" - 60"*** | |
| 150 | M | H-GY25-A47 | \$ 38.80 | H-MY33-A47 | \$ 41.10 | H-NY40-A47 | \$ 38.80 | H-WY51-A47 | \$ 42.20 |

SILICON CARBIDE STONES

| MODEL | | G25 | | M27 | | N37 | | W47 | |
|-----------|-------------|----------------------------|-----------|-----------------------------|-----------|-----------------------------|-----------|---------------------------------|-----------|
| GRIT SIZE | | 64 TO 69 mm 2.5" - 2.7" | NET PRICE | 69 TO 104 mm 2.7" - 4.1" | NET PRICE | 89 TO 140 mm 3.5" - 5.5" | NET PRICE | 104 TO 1524 mm 4.1" - 60"*** | NET PRICE |
| 70 | HARD - SOFT | - | - | - | - | H-N37-J11 | \$ 20.50 | H-W47-J11 | \$ 22.30 |
| | | H-G25-J15 | \$ 20.50 | - | - | H-N37-J13 | 20.50 | H-W47-J13 | 22.30 |
| | | H-G25-J17 | 20.50 | H-M27-J17 | \$ 20.50 | - | - | H-W47-J15 | 22.30 |
| 150 | H - S | - | - | - | - | H-N37-J17 | 20.50 | H-W47-J17 | 22.30 |
| | | H-G25-J45 | \$ 20.50 | H-M27-J45 | \$ 20.50 | H-N37-J43 | \$ 20.50 | H-W47-J43 | \$ 22.30 |
| | | H-G25-J47 | 20.50 | H-M27-J47 | 20.50 | H-N37-J45 | 20.94 | H-W47-J45 | 23.02 |
| 220 | H - S | H-G25-J55 | \$ 20.50 | H-M27-J55 | \$ 20.50 | H-N37-J47 | 20.50 | H-W47-J47 | 22.30 |
| | | - | - | H-M27-J57 | 20.50 | H-N37-J55 | \$ 20.50 | H-W47-J55 | \$ 22.30 |
| 280 | H - S | H-G25-J63 | \$ 20.50 | H-M27-J63 | \$ 20.50 | - | - | H-W47-J63 | \$ 22.30 |
| | | H-G25-J65 | 20.50 | H-M27-J65 | 20.50 | H-N37-J65 | \$ 20.50 | H-W47-J65 | 23.01 |
| | | H-G25-J67 | 20.50 | H-M27-J67 | 20.50 | H-N37-J67 | 20.50 | H-W47-J67 | 22.30 |
| 400 | H - S | H-G25-J85 | \$ 20.50 | H-M27-J85 | \$ 20.50 | H-N37-J85 | \$ 20.95 | H-W47-J85 | \$ 23.01 |
| | | H-G25-J87 | 20.50 | H-M27-J87 | 20.50 | H-N37-J87 | 20.95 | H-W47-J87 | 23.01 |

* R25X - Red aluminum oxide / sulfur Impregnated

** Requires Master Holder Set - Limited to 21" with H-AN-815 and H-ANR-275

REMANUFACTURING TOOLS

SUNNEN PORTABLE HONES AND STONE SETS FOR H-SNJ-10 AND H-SN-75

Part Number: H-SNJ-10
Net Price: \$ 473.00

Additional sizes and accessories shown below.

Hand Feed - ID Range 31.8-45.0 mm (1.250" - 1.770")
For occasional portable honing

Illustration shows the SNJ-10 Portable Hone assembled with Stone Set and AN-26A Drive Shank. Will hone bores up to 457 mm (18.0") long as shown; order additional Shaft Extensions for longer bores. Requires 13 mm (1/2") chuck capacity.

Weight .5 kg (1 lb).



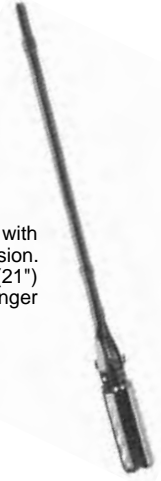
Part Number: H-SN-75
Net Price: \$ 385.00

Additional sizes and accessories shown below.

Hand Feed - ID Range 44-51 mm (1.750" - 2.000")
For occasional portable honing

Illustration shows the SN-75 Portable Hone assembled with Stone Set, Drive Shank, and 305 mm (12") Shaft Extension. 102 mm (4") stone length. Will hone bores up to 533 mm (21") long as shown; order additional Shaft Extensions for longer bores. Requires 13 mm (1/2") chuck capacity.

Weight 1.4 kg (3 lbs).



| To Order: | DRIVE SHANKS | | | | SHAFT EXTENSIONS | | | |
|---|--------------|--------|-------------|-----------|------------------|--------|-------------|-----------|
| | LENGTH | | PART NUMBER | NET PRICE | LENGTH | | PART NUMBER | NET PRICE |
| | MM | INCHES | | | MM | INCHES | | |
| SNJ-10 and SN-75 Basic Hone include 76 mm (3") Drive Shank, 305 mm (12") Extension, and one Universal Joint. | | | | | | | | |
| Additional Shaft Extensions may be ordered from table above to make up any practical length (Drive Shank can be used with any combination of Extensions). | 76 | 3 | H-AN-26A* | \$ 14.30 | 305 | 12 | H-AN-241* | \$ 40.00 |
| | | | | | 610 | 24 | H-AN-242 | 160.00 |
| | | | | | 1220 | 48 | H-AN-244 | 176.00 |

* Supplied with hone

SUNNEN STONE SETS FOR H-SNJ-10 PORTABLE HONE

| MATERIAL | GRIT SIZE | 31.75 TO 36.50 mm 1.250" - 1.437" | NET PRICE | 36.02 TO 40.74 mm 1.418" - 1.604" | NET PRICE | 40.13 TO 45.00 mm 1.580" - 1.770" | NET PRICE |
|-----------------|-----------|--------------------------------------|-----------|--------------------------------------|-----------|--------------------------------------|-----------|
| Aluminum Oxide | 150 (4) | H-SNJ1-A45 | \$ 23.00 | H-SNJ2-A45 | \$ 23.00 | H-SNJ3-A45 | \$ 23.00 |
| Silicon Carbide | 150 (4) | H-SNJ1-J45 | \$ 23.00 | - | - | - | - |
| | 280 (6) | H-SNJ1-J63 | 23.00 | H-SNJ2-J63 | \$ 23.00 | H-SNJ3-J63 | \$ 23.00 |
| | 400 (8) | H-SNJ1-J87 | 23.00 | H-SNJ2-J87 | 23.00 | H-SNJ3-J87 | 23.00 |

Consists of 3 stones.

SUNNEN STONE SETS FOR H-SN-75 PORTABLE HONE

| MATERIAL | GRIT SIZE | SOFT - HARD | 44 TO 51 1.75" - 2.00" | NET PRICE |
|-----------------|-----------|-------------|---------------------------|-----------|
| Aluminum Oxide | 80 (2) | Hard | H-S18-A25 | \$ 19.50 |
| | 150 (4) | Medium | H-S18-A45 | 19.50 |
| Silicon Carbide | 150 (4) | Medium | H-S18-J45 | \$ 19.50 |
| | 400 (8) | Medium | H-S18-J85 | 19.50 |

Consists of 2 stones and 2 guides.

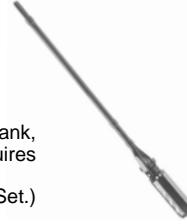
REMANUFACTURING TOOLS

SUNNEN PORTABLE HONES FOR H-JN-95

Part Number: H-JN-95

Net Price: \$ 385.00

Hand Feed - ID Range 51 - 66 mm (2.000" - 2.600")
For occasional portable honing
JN-95 Basic Portable Honer includes 76 mm (3") Drive Shank,
305 mm (12") Extension, and one Universal Joint. Requires
13 mm (1/2") chuck capacity.
(Illustration shows Portable Honer assembled with Stone Set.)



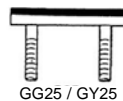
SUNNEN HONE STONE SETS FOR H-JN-95 PORTABLE HONE

Stone sets for the H-JN-95 Portable Honer (two stones and two guides per set). The stone sets are for 2" to 2.4" diameters. The listed stone sets are in stock and ready for next day delivery.

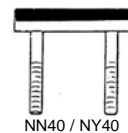
| ALUMINUM OXIDE STONES | | | | | | | |
|------------------------|-----|--------------------------|--------------|----------------------------|--------------|----------------------------|--------------|
| MODEL | | T20 | | U22 | | V24 | |
| GRIT SIZE | | 51 TO 56 mm 2" - 2.2" | NET PRICE | 56 TO 61 mm 2.2" - 2.4" | NET PRICE | 61 TO 66 mm 2.2" - 2.4" | NET PRICE |
| 80 | H-S | H-T20-A25 | \$ 19.25 | H-U22-A25 | \$ 19.25 | H-V24-A25 | \$ 19.25 |
| 150 | H-S | H-T20-A45 | 19.25 | H-U22-A45 | 19.50 | H-V24-A45 | 19.50 |
| 280 | H-S | H-T20-A65 | 19.25 | H-U22-A65 | 19.25 | - | - |
| SILICON CARBIDE STONES | | | | | | | |
| MODEL | | T20 | | U22 | | V24 | |
| GRIT SIZE | | 51 TO 56 mm 2" - 2.2" | NET PRICE | 56 TO 61 mm 2.2" - 2.4" | NET PRICE | 56 TO 61 mm 2.2" - 2.4" | NET PRICE |
| 150 | H-S | H-T20-J45 | \$ 19.25 | - | - | - | - |
| 280 | H-S | - | - | - | - | H-V24-J65 | \$ 19.25 |
| 400 | H-S | H-T20-J85 | 19.25 | - | - | - | - |
| | | - | - | H-U22-J87 | \$ 19.25 | H-V24-J87 | 19.25 |

ADDITIONAL SUNNEN HONE STONE SETS AVAILABLE

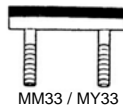
SUNNEN HONE STONE SETS



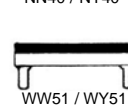
GG25 / GY25



NN40 / NY40



MM33 / MY33



WW51 / WY51

| Stone Number | Diameter |
|--------------|-----------|
| Gx25 | 2.5 - 3.3 |
| Mx33 | 3.3 - 4.2 |
| Nx40 | 4.0 - 5.6 |
| Wx51 | 4.5 - 60* |

Sunnen Stone Sets for 2.5" to 60" diameter, portable tools (two stones and two guides per set). For Industrial applications. From fast stock removal in deburred, bored, ground, or reamed holes to fine finishing in previously honed holes, these hone stone sets are in stock and ready for next day delivery.

* Requires the use of Master Holders

| PART NUMBER | BORE SIZE | MATERIAL | GRIT SIZE | HARDNESS | NET PRICE |
|-------------|----------------|-----------------|-----------|----------|-----------|
| H-GY25-A45 | 2.500 - 3.300 | Aluminum Oxide | 150 | Medium | \$ 38.80 |
| H-GY25-J85 | 2.500 - 3.300 | Silicon Carbide | 400 | Medium | 38.80 |
| H-H70-A45 | 2.900 - 11.500 | Aluminum Oxide | 150 | Medium | 22.60 |
| H-MM33-A45 | 3.300 - 4.200 | Aluminum Oxide | 150 | Medium | 30.80 |
| H-MM33-J85 | 3.300 - 4.200 | Silicom Carbide | 400 | Medium | 30.80 |
| H-MM33-J87 | 3.300 - 4.200 | Silicom Carbide | 400 | Hard | 30.80 |
| H-NN40-A45 | 4.000 - 5.600 | Aluminum Oxide | 150 | Medium | 30.80 |
| H-NN40-J85 | 4.000 - 5.600 | Silicon Carbide | 400 | Medium | 30.80 |
| H-T20-A45 | 2.000 - 2.200 | Aluminum Oxide | 150 | Medium | 19.25 |
| H-U22-A45 | 2.200 - 2.400 | Aluminum Oxide | 150 | Medium | 19.50 |
| H-V24-A45 | 2.400 - 2.600 | Aluminum Oxide | 150 | Medium | 19.50 |
| H-WY51-A43 | 4.500 - 60.000 | Aluminum Oxide | 150 | Medium | 42.20 |
| H-WY51-A45 | 4.500 - 60.000 | Aluminum Oxide | 150 | Medium | 42.20 |
| H-WY51-J85 | 4.500 - 60.000 | Silicom Carbide | 400 | Medium | 42.20 |

NORTH AMERICA
PHONE 1-800-777-5617
FAX 1-800-759-6391

SALES OFFICE HOURS
8 A.M. TO 7:30 P.M. EASTERN TIME
www.HerculesUS.com

WORLDWIDE
PHONE 1-727-796-1300
FAX 1-727-797-8849

REMANUFACTURING TOOLS

HONING OIL - 5 GALLON PAIL

Part Number: H-MB-30-5
Net Price: \$ 121.00

Sunnen Honing Oil is specially compounded for ferrous and non ferrous honing to:

- Dissipate heat from the workpiece
- Lubricate tool contact surfaces (guides)
- Flush bore free of honing swarf
- And maintain clean, free cutting abrasive conditions

Recommended for continuous honing of most materials, including: steel, cast iron, carbide, aluminum, bronze and ceramics. Use with any make honing equipment or tooling.



PORTABLE HONE ACCESSORIES QUICK COUPLER

Part Number: H-AN-80
Net Price: \$ 228.00

Provides instant coupling or uncoupling of hone from drive motor. Install between Drive Shank and Shaft Extension, or between Drive Shank and Hone Head on short bores.

(Can be used with; H-SNJ-10, H-SN-75, & H-JN-95.)



PISTON SEAL REFORMING TOOL

Part Number: PS CONSTRICTOR
Net Price: \$ 13.00



PTFE Piston seal resizing tool.

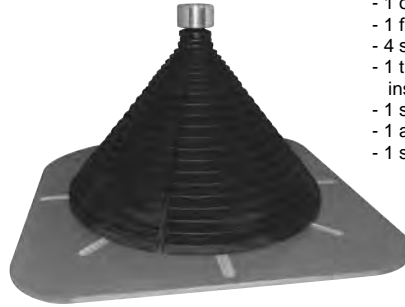
PISTON SEAL STRETCHER

Part Number: SEAL STRETCHER
Net Price: \$ 65.00

The Seal Stretcher

Includes the following:

- 8 stepped segments
- 1 top nut/handle
- 1 o-ring
- 1 flat base
- 4 screws
- 1 threaded rod with a piston pre-installed
- 1 stop nut
- 1 aluminum support base
- 1 spring



Usage Instructions online at www.HerculeUS.com / Inquiry Forms / Technical Assistance.

MINI GRINDER

Part Number: OR GRINDER
Net Price: \$ 48.57

The Mini Grinder has a no load speed of 5000-18,000 rpm adjustable, and includes the following:

- Copper collet: 2.4 & 3.2 (mm)
- 2 Diamonds bits
- 2 Grinding Stones
- 1 Nylon Brush
- 1 Connective posts for sanding bands
- 2 sanding bands
- 1 engraving bit
- 1 collet (2.4 mm)



LEAK DETECTION

LEAK DETECTION KIT

Part Number: LDU-OPK-341

Net Price: \$ 373.69

HOW IT WORKS

A small amount of liquid fluorescent dye is added to a circulating fluid system that is being inspected for leaks. The system is then run for a short time to allow the dye to mix and circulate with the host fluid. The dye/fluid mixture escapes with the host fluid wherever there is a leak and glows a bright yellow/green when inspected with a high-intensity ultraviolet or UV/black light lamp. This method is extremely effective in locating even the smallest, most elusive leaks, as well as multiple leaks.



INDIVIDUAL LEAK DETECTION PRODUCTS

| Part Number | Description | Net Price |
|------------------|--------------------------|-----------|
| LDU-CR-800 | CLEANER, 8 OZ SPRAY | \$ 11.58 |
| LDU-OIL-GLO-44-P | DYE, ALL-IN-ONE, 16 OZ | 105.26 |
| LDU-OPX-3000 | LAMP, LED, 115V CHARGER | 184.21 |
| LDU-UVS-40 | SPECTACLES, UV ENHANCING | 18.95 |

MEASURING TOOLS

HIGH QUALITY DIGITAL CALIPER

Part Number: HH-CALIPER-6-FR
Net Price: \$ 40.33

This high quality instrument measures to 6" (150 mm). A push of a button changes from fractions, mm and inches. Functions also include: On/Off function, zero key, data input capabilities, test for low voltage, and "Auto Off" function when unit sits dormant for more than 4 minutes.



DIGITAL CALIPERS

| Part Number | Net Price |
|-----------------|-----------|
| HH-CALIPER-6 | \$ 35.00 |
| HH-CALIPER-6-P | 35.00 |
| HH-CALIPER-12 | 84.33 |
| HH-CALIPER-12-P | 84.33 |

Quality calipers able to measure up to 6" (150mm) or 12" (300mm). A push of a button changes from inches to metric. A clear LCD display shows a reading with a resolution of 0.0005" (0.01mm) that is accurate to ±0.001" (±0.03mm). These calipers come in a sturdy, padded plastic case with instructions and a spare battery.
P = No Hercules logo.



INNER GROOVE CALIPER

Part Number: INNER CALIPER
Net Price: \$ 105.00



Inner Groove Caliper - 200 mm.

INNER DEPTH CALIPER

Part Number: INNER-DEPTH CALIPER
Net Price: \$ 131.00



This inner depth caliper is complete with five modes of measurement (OD, ID, General Depth, Groove Width, and Groove Depth). It has a digital display capable of displaying mm, inches, and fractions and can take measurements of up to 8" (205 mm). The four groove depth pins located on the back of the calipers measure 10mm, 20mm, 3/8", and 3/4".

INNER DEPTH CALIPER PINS

Part Number: INNER-DEPTH CALIPER DP
Net Price: \$ 12.00

This Inner-Depth Caliper replacement part includes four groove depth pins measuring 10mm, 20mm, 3/8", and 3/4".



INNER DEPTH CALIPER KNIVES

Part Number: INNER-DEPTH CALIPER WK
Net Price: \$ 12.00

This Inner-Depth Caliper replacement part includes one pair of width knives and four installation screws.



MEASURING TOOLS

O-RING COMPOUND IDENTIFIER

Part Number: OR RECOGNISER
Net Price: \$ 12.00

Identify a variety of o-ring compounds with this handy O-Ring Recognizer kit. Testing for EPDM70, NBR, FFKM (KALREZ®) and FKM o-rings. Three sample seals included.



BORE TAPE

Part Number: BORE TAPE 300
Net Price: \$ 92.75

Measures inside and outside diameters from 50 mm 300 mm (2"-12").



O-RING GAUGE

Part Number: OR-GAUGE
Net Price: \$ 21.00

Slide gauge for measuring standard cross-section o-rings with an inside diameter up to 13".



O-RING MEASURING CONE

Part Number: O RING CONE-INCH
Net Price: \$ 20.00

Handy cone provides o-ring dash numbers instantly. Measures 184 of the most widely used sizes in 5 standard widths, 1/4" ID to 5-5/8" ID. Made of high density polyurethane, the cone stands 17-1/2" high.



O-RING CHART

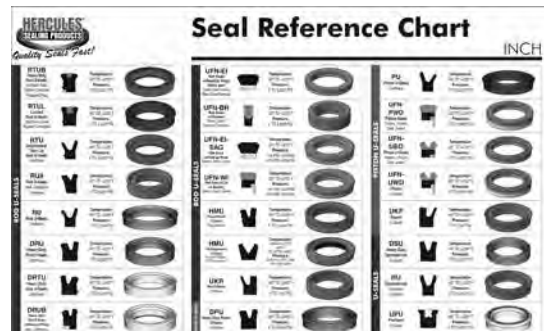
Part Number: O-RING CHART
Net Price: \$ 18.22
Part Number: O-RING CHART NN
Net Price: \$ 18.22



Durable, Accurate, and Fast, these charts allow for easy Standard O-ring size identification. No shop should be without one!
 NN = Without Hercules® logo.

SEAL REFERENCE CHART

Part Number: SEAL REFERENCE CHART
Net Price: \$ 23.00



The seal identification chart will assist you when visually identifying seals at the sales counter or back in the shop. Many seal profile pictures with detailed descriptions and technical data are listed on the multi-color laminated flip-chart.

HERCULES MERCHANDISE

COFFEE MUG

Part Number: HB-COFFEE MUG-01
Net Price: \$ 5.00

Blue stainless steel, double wall, insulated travel mug, with black plastic inner liner. Holds 14 oz.



MOUSE PAD

Part Number: HB-MOUSE PAD
Net Price: \$ 2.00

This sturdy mouse pad measures 7-1/4" x 8-3/8", and features a vinyl top with 1/8" foam backing.



BASEBALL HAT

Part Number: HB-HAT-01
Net Price: \$ 6.00

Black canvas baseball hat. Low profile with adjustable Velcro strap. One size fits most.



BLACK TRUCKER HAT

Part Number: HB-HAT-02
Net Price: \$ 9.00

Black trucker hat. High profile with plastic snapping adjustable strap. One size fits most.



HERCULES T-SHIRT

| Part Number | Size | Net Price |
|-------------------|-----------|-----------|
| HB-T-SHIRT-01M | MED | \$ 6.00 |
| HB-T-SHIRT-01L | LARGE | 6.00 |
| HB-T-SHIRT-01XL | X-LARGE | 6.00 |
| HB-T-SHIRT-01XXL | XX-LARGE | 7.00 |
| HB-T-SHIRT-01XXXL | XXX-LARGE | 7.00 |

99% Cotton / 1% Polyester Gildan™ grey T-Shirt. Hercules logo on front, with larger "Quality Parts" graphics on the back.



HERCULES SHIRT

| Part Number | Size | Net Price |
|----------------|----------|-----------|
| HB-SHIRT-01SM | SMALL | \$ 17.50 |
| HB-SHIRT-01M | MEDIUM | 17.50 |
| HB-SHIRT-01L | LARGE | 17.50 |
| HB-SHIRT-01XL | X-LARGE | 17.75 |
| HB-SHIRT-01XXL | XX-LARGE | 18.75 |

55% Cotton / 45% Polyester Ahead brand cobalt blue Polo Shirts. Hercules logo on left chest.



COUNTER MAT

Part Number: HH-COUNTER MAT
Net Price: \$ 12.75



Full color 26" x 17" vinyl Counter Mat with 1/8" foam backing.

COUNTER STOOL - 30" TALL

Part Number: HHCOUNTERSTOOL
Net Price: \$ 79.95

30" Tall Counter Stool with vinyl padded seat and metal legs. Some assembly required.



Appendix

| Contents | Page |
|--|-------------|
| Materials Used / Glossary of Terms | 796 |
| Fluid Compatibility Table | 797 - 799 |
| How to Size Groove Dimensions for Seals | 800 - 801 |
| Examples of Seal Failures and Their Causes | 802 - 803 |
| Seal Failure Inspection Check List | 804 |
| Metric / Inch Conversion Table | 805 - 806 |
| Cylinder Push & Pull Forces | 807 |
| Fluid Motor Torque | 808 |
| Hydraulic Cylinder Speeds | 809 |
| Electric Motor Horsepower | 810 |
| Areas & Circumferences of Circles | 811 |
| Fluid Power Formulas | 812 - 814 |
| Common Conversion Factors | 815 - 817 |
| Commodities & Material Weights | 818 |

Urethane

Formulated of copolymers of ether or ester based urethanes, this material is used in a wide application of seals, wipers, back-up rings, cushions, bumpers, and a myriad of other uses. Highly resistant to oil swell, ozone, oxidation and abrasion, it also has excellent cut resistance. Highly resilient, urethanes also have high tensile strength and elongation properties. Urethanes remain an excellent choice in hydraulic systems using petroleum based fluids. Most urethane seals remain flexible and efficient in temperatures ranging from -65° F to +200° F with some able to withstand intermittent temperatures up to +300° F.

Nitrile

The most common nitrile copolymer blend is the compound known as Buna-N. Possessing very good resistance to petroleum based hydraulic oils, Buna-N also works well with fuels such as diesel or gasoline. Nitrile seals have a good resistance to compression set, but their flexibility suffers somewhat in the lower temperature range. Seals made from this material have a low resistance to ozone and must be stored carefully in most environments. Working temperatures are -40° to +240° F.

PTFE

Most PTFE seals, in order to retain their toughness and flexibility, are fortified with short glass fiber, bronze flashes, carbon graphite, or a combination of these fillers. Because of a lack of resilience (memory) in PTFE, an energizer is most often employed to obtain the desired fit. Benefits are chemical inertness, high heat resistance, low temperature flexibility, low running friction, and non-adhesive characteristics. Temperatures to +500° F are obtainable but are often reduced by the filler or energizer employed.

Fluorocarbon

Fluorocarbon combines high temperature resistance with excellent chemical resistance. Excellent for use with alcohol and aromatic fuels and highly resistant to ultraviolet light and ozone. This material is not recommended for use in low temperatures or in aircraft hydraulic fluids. Temperature range is -20° to +400° F.

Ethylene-Propylene

Ethylene-Propylene can be used for sealing phosphate ester hydraulic fluids such as Skydrol. Not suitable for petroleum based fluids, Ethylene-Propylene is highly effective for use with steam, acetone, and dilute acids and bases. Specially compounded Ethylene-Propylene can be made suitable for automobile brake systems. Temperature range from -20° to +300° F.

Silicone

Silicone is an elastomer made from silicon, oxygen, hydrogen, and carbon. The key use of this material is in static seals employed in a wide (-75° F to +450° F) range of temperatures. Silicone has a high resistance to dry heat, ultraviolet light and ozone. This material is not recommended for dynamic situations due to poor abrasion resistance and high friction characteristics.

Glossary of Terms

- Bearing/Wear Rings:** Soft metal or plastic rings placed in grooves on the piston or in the head to prevent contact between hard metal surfaces.
- Durometer:** A generic term referring to the instrument and the scale used to measure the relative hardness of various elastomers. The lower the durometer reading, the softer the material.
- Dynamic Seal:** A sealing device used between mating surfaces that have relative motion.
- Elastomer:** A rubber-like material having the capacity for large deformation and rapid, complete recovery from the deforming force.
- Gland:** A groove or open area machined into the head or piston that houses the sealing device.
- Static Seal:** A sealing device used between mating surfaces that have no relative motion.
- Wiper/Scraper:** A device placed in the head of a cylinder for the purpose of excluding foreign matter from the inside of the cylinder.

These are general guidelines only, and users must conduct their own functional tests to determine the suitability of any compound for their particular application.

R = Recommended
M = Marginal
U = Unsatisfactory
X = Insufficient Data

| Fluid | Nitrile | SBR | EPDM | Neoprene | Polyacrylate | Urethane | Silicone | Fluoroelastomer |
|-------------------------------|---------|-----|------|----------|--------------|----------|----------|-----------------|
| Acetaldehyde | U | U | R | U | U | U | R | U |
| Acetamide | R | U | R | R | U | U | M | U |
| Acetic Acid | M | M | R | R | U | U | R | U |
| Acetone | U | M | R | M | U | U | M | U |
| Acetophenone | U | U | R | U | U | U | U | U |
| Acetylene | R | R | R | R | X | X | R | R |
| Ammonia | R | R | R | R | U | X | R | U |
| Ammonium Hydroxide | R | R | R | R | U | U | R | R |
| Amyl Acetate | U | U | M | U | U | U | U | U |
| Anderol L-774 | M | U | U | U | R | U | U | R |
| Aniline | U | U | R | U | U | U | U | M |
| Ansul Ether | M | U | M | U | U | R | U | U |
| Antifreeze | R | R | R | R | U | U | R | R |
| Aroclors | M | U | R | U | U | X | M | R |
| Askarel | R | U | U | U | U | U | U | R |
| ASTM #1 | R | U | U | R | R | R | R | R |
| ASTM #3 | R | U | U | U | R | R | U | R |
| ASTM Fuel A | R | U | U | R | R | R | U | R |
| ASTM Fuel B | R | U | U | U | U | R | U | R |
| ASTM Fuel C | R | U | U | U | U | R | U | R |
| ASTM Fuel D | M | U | U | U | U | R | U | R |
| Auto Transmission Fluid | R | U | U | M | R | R | M | R |
| Beer | R | R | R | R | U | U | R | R |
| Benzaldehyde | U | U | R | U | U | U | U | U |
| Benzene | U | U | U | U | U | U | U | R |
| Benzine | R | U | U | R | R | R | U | R |
| Benzoic Acid | U | U | U | U | U | U | U | R |
| Benzophenone | U | U | R | X | U | U | U | R |
| Benzyl Alcohol | U | U | U | R | U | U | X | R |
| Bleach | R | R | R | R | U | U | U | R |
| Borax | R | R | R | U | R | R | R | R |
| Boric Acid | R | R | R | R | U | R | R | R |
| * Brake Fluid (non-Petroleum) | U | R | R | R | U | U | R | U |
| Bromine | U | U | U | U | U | U | U | R |
| Bromobenzene | U | U | U | U | U | U | U | R |
| Bunker Oil | R | U | U | U | R | R | U | R |
| Butane | R | M | U | R | R | U | U | R |
| Butter | R | U | M | R | R | R | R | R |
| Butyl Acetate | U | U | U | U | U | U | U | U |
| Butyl Alcohol | R | R | R | R | U | U | R | R |
| Butyl Amine | M | U | U | U | U | U | R | U |
| Butyl Carbitol | U | U | R | M | U | X | U | M |
| Butyl Cellosolve | M | U | R | M | U | U | R | U |
| Butyraldehyde | U | U | R | U | U | U | U | U |
| Carbitol | R | R | R | R | U | U | R | R |

* Requires special formulation of EPDM

| Fluid | Nitrile | SBR | EPDM | Neoprene | Polyacrylate | Urethane | Silicone | Fluoroelastomer |
|-------------------------|---------|-----|------|----------|--------------|----------|----------|-----------------|
| Carbitol Acetate | U | U | U | U | U | U | U | R |
| Carbon Disulfide | U | U | U | U | U | X | U | R |
| Carbon Tetrachloride | R | U | U | U | U | U | U | R |
| Carbonic Acid | R | R | R | R | R | R | R | R |
| Castor Oil | R | R | R | R | R | R | R | R |
| Cellosolve | U | R | U | U | U | U | U | U |
| Chassis Grease | R | U | U | M | R | X | U | R |
| Chloracetic Acid | U | U | R | U | U | U | X | U |
| Chloracetone | U | U | R | M | X | X | U | R |
| Chlordane | R | U | U | M | X | X | U | R |
| Chlorine | U | U | R | U | U | U | X | R |
| Chlorobenzol | U | U | U | U | U | U | U | R |
| Chloroform | U | U | U | U | U | U | U | R |
| Chlorsulfonic Acid | U | U | U | U | U | U | U | U |
| Chrome Plating Solution | U | U | R | U | U | U | R | R |
| Chromic Acid | U | U | X | U | X | X | M | R |
| Citric Acid | R | R | R | R | X | X | R | R |
| Cod Liver Oil | R | U | U | R | R | U | R | R |
| Coffee | R | R | R | R | U | U | R | R |
| Corn Oil | R | U | U | U | R | U | R | R |
| Creosote | R | U | U | R | R | M | U | R |
| Creoste Oil | R | U | U | M | X | X | M | R |
| Creosylic Acid | U | U | U | U | U | U | U | R |
| Crude Oil | R | U | U | U | R | X | U | R |
| Cyclohexane | R | U | U | M | R | R | U | R |
| Cyclohexanol | R | U | U | R | X | X | U | R |
| Decalin | U | U | U | U | U | U | U | R |
| Denatured Alcohol | R | R | R | R | U | U | R | R |
| Diacetone | U | U | R | U | U | U | U | U |
| Dibutyl Amine | U | U | U | M | U | U | U | U |
| Dibutyl Phthalate | U | U | R | U | U | X | X | M |
| Dichloro Aniline | U | U | U | U | U | U | U | M |
| Dichloro Butane | R | U | U | U | U | U | U | R |
| Diesel Oil | R | U | U | M | U | U | U | R |
| Diethyl Benzene | M | U | U | U | X | X | X | R |
| Diethylamine | R | R | R | R | U | M | R | U |
| Diethylene Glycol | R | R | R | R | U | U | R | R |
| Dimethyl Ether | U | U | U | M | M | R | U | U |
| Dimethyl Formamide | U | X | R | X | X | X | R | U |
| Dimethyl Phthalate | U | U | R | U | U | X | X | R |
| Dimethyl Terephthalate | U | U | U | U | U | U | U | R |
| Dioctyl Phthalate | U | U | R | U | U | U | M | R |
| Dioxane | U | U | R | U | U | U | U | U |
| Diphenyl | U | U | U | U | U | U | U | R |
| Dow Corning 550 | R | R | R | R | R | R | R | R |

| Fluid | Nitrile | SBR | EPDM | Neoprene | Polyacrylate | Urethane | Silicone | Fluoroelastomer |
|-------------------|---------|-----|------|----------|--------------|----------|----------|-----------------|
| Dow Gard | R | R | R | R | M | M | R | R |
| Dowtherm A & E | U | U | U | U | U | U | U | R |
| Elco 28 | R | U | U | M | R | R | R | R |
| Epoxy Resins | X | X | R | R | X | X | X | U |
| Ethane | R | U | U | R | R | M | U | R |
| Ethanol | R | R | R | R | U | R | R | R |
| Ethanolamine | R | R | R | R | U | M | R | U |
| Ethyl Acetate | U | U | R | U | U | U | R | U |
| Ethyl Benzene | U | U | U | U | U | U | U | R |
| Ethyl Cellulose | R | R | R | R | U | R | R | U |
| Ethyl Chloride | R | R | R | R | M | R | U | R |
| Ethyl Ether | M | U | M | U | U | R | U | U |
| Ethyl Formate | U | U | R | R | X | X | X | R |
| Ethyl Hexanol | M | R | R | R | X | X | X | R |
| Ethyl Merlaptan | U | U | X | M | X | X | M | R |
| Ethylene Chloride | U | U | U | U | U | U | U | R |
| Ethylene Glycol | R | R | R | R | U | X | R | R |
| Ethylene Oxide | U | U | R | U | U | U | U | U |
| Formaldehyde | M | M | R | M | U | U | R | U |
| Formic Acid | M | R | R | R | X | X | M | U |
| Freon 12 | R | R | R | R | X | R | U | R |
| Fuel Oil | R | U | U | R | R | U | U | R |
| Furfuryl Alcohol | U | U | R | U | U | U | U | X |
| Furan | U | U | X | U | U | X | X | X |
| Furfural | U | U | R | U | U | X | U | U |
| Fyrquel | U | U | R | U | U | U | R | R |
| Gallic Acid | R | R | R | R | U | I | X | R |
| Gasoline | R | U | U | R | R | R | U | R |
| Gelatin | R | R | R | R | U | U | R | R |
| Glucose | R | R | R | R | X | U | R | R |
| Glycerine | R | R | R | R | U | U | R | R |
| Heptane | R | U | U | R | R | R | U | R |
| Hexaldehyde | U | U | R | R | X | X | R | U |
| Hexane | R | U | U | R | R | R | U | R |
| Hexanol | R | R | M | R | U | U | R | R |
| Home Heating Oil | R | U | U | M | R | R | R | R |
| Hydrazine | R | R | R | R | X | X | R | X |
| Hydrochloric Acid | R | M | R | R | M | U | U | R |
| Hydrocyanic Acid | R | R | R | R | U | X | M | R |
| Hydrogen Peroxide | R | R | R | R | U | X | R | R |
| Hydrogen Sulfide | U | U | R | R | U | X | M | U |
| Hydroquinone | M | U | U | U | U | X | X | R |
| Hypoid Gear Lube | R | U | U | M | R | R | M | R |
| Iodine | R | R | R | U | X | X | X | R |
| Iso Octane | R | U | U | R | R | R | U | R |
| Iso Phorone | U | U | R | U | U | U | U | U |
| Isocyanate | X | X | X | X | X | X | X | R |
| Isopar | R | X | U | R | R | R | U | R |
| Isopropanol | R | R | R | R | U | U | R | R |
| Isopropyl Acetate | U | U | R | U | U | U | U | U |

| Fluid | Nitrile | SBR | EPDM | Neoprene | Polyacrylate | Urethane | Silicone | Fluoroelastomer |
|---------------------|---------|-----|------|----------|--------------|----------|----------|-----------------|
| JP-4(MIL-J-5624) | R | U | U | U | R | R | U | R |
| JP-4(MIL-J-5624) | R | U | U | U | R | R | U | R |
| Kerosene | R | U | U | R | R | R | U | R |
| Lacquers | U | U | U | U | U | U | U | U |
| Lactic Acid | R | R | R | R | U | X | X | R |
| Lard | R | U | R | R | R | R | R | R |
| Linoleic Acid | R | U | U | R | X | X | R | R |
| Linseed Oil | R | U | M | M | R | X | R | R |
| Lye Solutions | R | R | R | R | U | U | R | R |
| Malathion | R | U | U | X | X | X | U | R |
| Maleic Acid | U | U | U | U | U | X | X | R |
| Mercury | R | R | R | R | X | X | X | R |
| Meter-Cresol | U | U | U | R | U | U | U | R |
| Methacrylic Acid | U | U | R | R | U | U | U | M |
| Methane | R | U | U | R | R | M | U | R |
| Methanol | R | R | R | R | U | U | U | U |
| Methyl Acetate | U | U | R | R | U | U | U | U |
| Methyl Cellosolve | M | U | R | R | U | U | U | M |
| Methyl Ether Ketone | U | U | R | U | U | U | U | U |
| Methyl Mercaptan | X | X | R | X | X | X | X | X |
| Methylene Chloride | U | U | U | U | U | U | U | R |
| Milk | R | R | R | R | U | U | R | R |
| Mineral Oil | R | U | M | R | R | R | R | R |
| Mineral Spirits | R | U | U | U | R | R | U | R |
| Monovinyl Acetylene | R | R | R | R | X | X | R | R |
| Mustard | X | R | R | X | X | X | R | R |
| Naphtha | R | U | U | U | R | R | U | R |
| Naphthalene | U | U | U | U | X | X | U | R |
| Naphthenic Acid | R | U | U | U | X | X | U | R |
| Natural Gas | R | R | U | R | R | R | R | R |
| Neatsfoot Oil | R | U | R | U | R | R | R | R |
| Nitric Acid | U | M | R | U | U | U | U | M |
| Nitrobenzene | U | U | U | U | U | U | U | R |
| Nitropropane | U | U | R | U | U | U | U | U |
| Octane | R | U | U | U | U | U | U | R |
| Octanol | R | R | R | R | U | U | R | R |
| Oleic Acid | M | U | U | M | X | X | U | R |
| Oleum | R | U | U | M | X | X | U | R |
| Oronite 8200 | R | U | U | R | X | R | U | R |
| Oxalic Acid | R | R | R | R | R | X | X | R |
| Peanut Oil | R | U | M | M | R | X | R | R |
| Pentane | R | M | U | R | R | U | U | R |
| Perchloroethylene | R | U | U | U | U | U | U | R |
| Petroleum Ether | U | U | U | U | U | U | U | R |
| Phenol | U | U | U | U | U | U | U | R |
| Phenyldiazine | U | M | U | U | U | X | X | R |
| Phosphoric Acid | R | R | R | R | M | U | R | R |
| Pine Oil | R | U | U | U | U | X | X | R |
| Potassium Hydroxide | R | R | R | R | U | U | M | U |
| Propane | R | U | U | R | R | M | U | R |

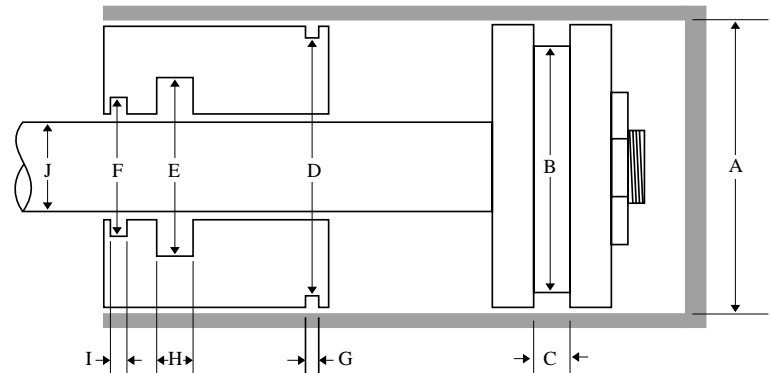
| Fluid | Nitrile | SBR | EPDM | Neoprene | Polyacrylate | Urethane | Silicone | Fluoroelastomer |
|------------------|---------|-----|------|----------|--------------|----------|----------|-----------------|
| Propanol | R | R | R | R | U | U | R | R |
| Propyl Acetate | U | U | R | U | U | U | U | U |
| Propylene Glycol | R | R | R | M | U | M | R | R |
| Pydraul | U | U | R | U | U | U | U | R |
| Pyranol | R | U | U | R | R | R | U | R |
| Pyridine | U | R | U | U | U | X | U | U |
| Rapeseed Oil | R | U | R | R | R | R | U | R |
| Resurcinol | X | R | R | X | X | X | X | X |
| SAE 10W30 | R | U | U | M | R | R | R | R |
| Seawater | R | R | R | R | U | U | R | X |
| Silicone Grease | R | R | R | R | R | R | R | R |
| Silver Nitrate | R | R | R | R | R | R | R | R |
| Skelly Solvent | R | U | U | U | X | X | X | R |
| Skydrol | U | U | R | U | U | U | U | R |
| Skydrol 500 | U | U | R | U | U | U | U | R |
| Sodium Hydroxide | R | R | R | R | U | R | R | R |
| Sovasol | R | U | U | R | R | R | U | R |
| Soy Bean Oil | R | U | M | M | R | X | R | R |
| Stearic Acid | R | R | R | R | R | U | U | R |
| Stoddard Solvent | R | U | U | R | R | R | U | R |
| Sucrose | R | R | R | R | U | U | R | R |

| Fluid | Nitrile | SBR | EPDM | Neoprene | Polyacrylate | Urethane | Silicone | Fluoroelastomer |
|--------------------|---------|-----|------|----------|--------------|----------|----------|-----------------|
| Sulfuric Acid | R | R | R | R | R | U | U | R |
| Tall Oil | R | U | U | M | R | U | X | R |
| Tannic Acid | R | R | R | R | U | X | R | R |
| Tar | R | U | U | M | U | X | R | R |
| Tartaric Acid | R | R | R | R | X | X | R | R |
| Tetrachloro Ethane | U | U | U | U | U | U | U | R |
| Tetralin | U | U | U | U | U | U | U | R |
| Tidewater Oil | R | U | U | R | R | R | R | R |
| Toluene | U | U | U | U | U | U | U | R |
| Trichloro Ethylene | M | U | U | U | U | U | U | R |
| Triethanol Amine | M | R | R | R | U | U | X | U |
| Turbine Oil | R | U | U | U | R | R | U | R |
| Turpentine | R | U | U | U | R | U | U | R |
| UCDN 50HB280X | R | R | R | R | X | X | R | R |
| Univis J-43 | R | U | U | R | R | R | U | R |
| Varnish | R | U | U | U | U | M | U | R |
| Vinegar | R | R | R | R | U | U | R | R |
| Water | R | R | R | R | U | U | R | R |
| Wheat Germ Oil | R | U | U | M | R | R | R | R |
| Whiskey & Wine | R | R | R | R | U | U | R | R |
| Wood Oil | R | U | U | R | X | M | U | R |

HOW OFTEN HAVE YOU RECEIVED A CYLINDER FOR REPAIR AND THE SEALS WERE ...

- MISSING
- COOKED
- INCORRECT
- EXTRUDED
- NIBBLED
- TWISTED
- ROLLED
- SPLIT
- WORN OUT

The chart below can be used by your counter people, repair shops, or sales people to determine the seals you need. Note the dimensions, refer to your Hercules® Sealing Products Catalog, and call our sales staff with your information. If the part number(s) you need can't be located in the catalog, our Sales personnel will be glad to help you .



Call us TOLL FREE! 1-800-777-5617

FOR A PROFESSIONAL ANALYSIS OF SEAL FAILURE, SEND YOUR DAMAGED SEALS TO OUR ENGINEERING DEPARTMENT.

PISTON SEALS AND BEARINGS

DIAGRAM REFERENCE

- A = Bore = Nominal Seal O.D.
- B = Groove Diameter = Nominal Seal I.D.
- C = Groove Width = Nominal Seal Width

DIMENSIONS

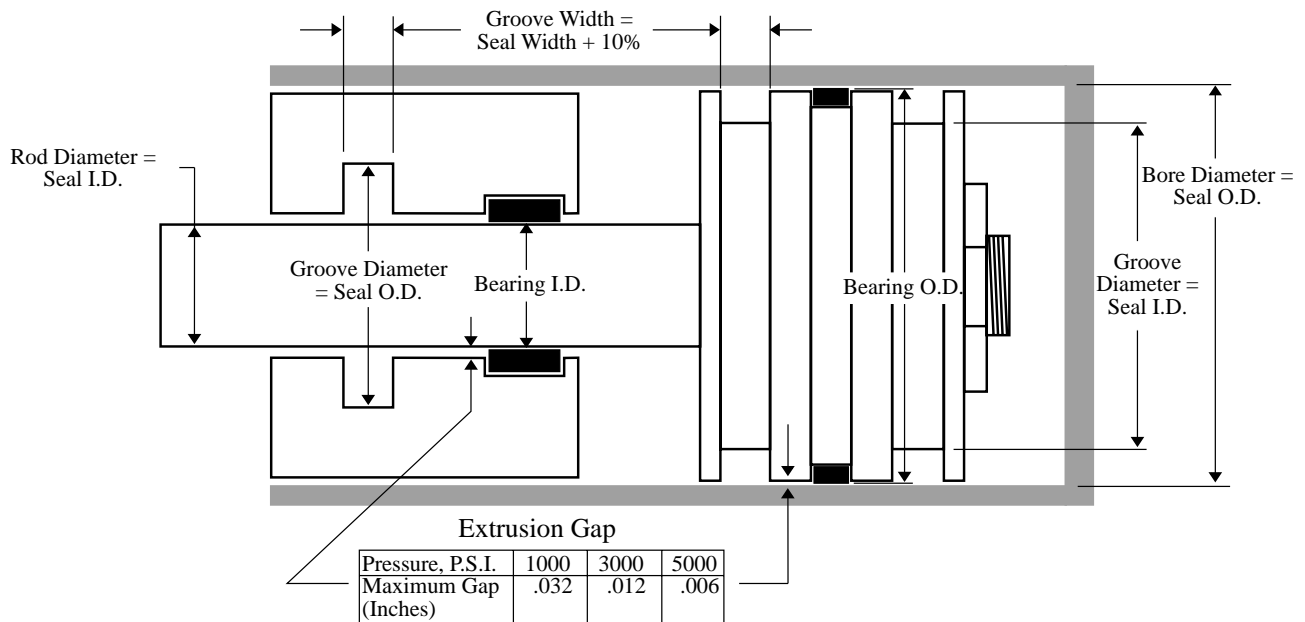
ROD SEALS AND BEARINGS

DIAGRAM REFERENCE

- D = Gland Groove Diameter = Nominal Seal I.D.
- E = Rod Seal Groove Diameter = Nominal Seal O.D.
- F = Wiper Groove Diameter = Nominal Wiper O.D.
- G = Gland Groove Width = Nominal Seal Width
- H = Rod Seal Groove Width = Nominal Seal Width
- I = Wiper Groove Width = Base Width
- J = Rod Diameter = Seal & Nominal Wiper I.D.

DIMENSIONS

COPY FOR SHOP & COUNTER USE




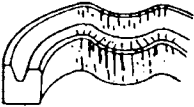










ROD AND ROD GROOVE DIAMETERS

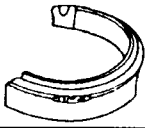

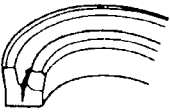
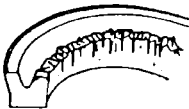
| ROD DIAM RANGE, IN. | ROD DIAM. TOLERANCE | GROOVE DIAM TOLERANCE | MAX DIAMETRICAL CLEARANCE | | |
|---------------------|---------------------|-----------------------|---------------------------|----------|----------|
| | | | 1000 PSI | 3000 PSI | 5000 PSI |
| .125 - .687 | + .0 / -.002 | + .004 / -.0 | .008 | .006 | .004 |
| .750 - 2.875 | + .0 / -.003 | + .008 / -.0 | .012 | .008 | .004 |
| 3.000 - 7.000 | + .0 / -.004 | + .010 / -.0 | .014 | .010 | - |
| 7.000 - 7.750 | + .0 / -.005 | + .011 / -.0 | .016 | .010 | - |
| 8.000 - 9.500 | + .0 / -.005 | + .012 / -.0 | .016 | - | - |
| 10.000 - 15.000 | + .0 / -.006 | + .015 / -.0 | .016 | - | - |

BORE AND PISTON GROOVE DIAMETERS

| BORE DIAM RANGE, IN. | BORE DIAM. TOLERANCE | GROOVE DIAM TOLERANCE | MAX DIAMETRICAL CLEARANCE | | |
|----------------------|----------------------|-----------------------|---------------------------|----------|----------|
| | | | 1000 PSI | 3000 PSI | 5000 PSI |
| .750 - 1.062 | + .003 / -.0 | + .0 / -.004 | .010 | .008 | .004 |
| 1.125 - 1.625 | + .003 / -.0 | + .0 / -.005 | .010 | .008 | .004 |
| 1.750 - 2.500 | + .003 / -.0 | + .0 / -.007 | .012 | .008 | .004 |
| 2.625 - 2.875 | + .003 / -.0 | + .0 / -.008 | .012 | .008 | .005 |
| 3.000 - 3.500 | + .004 / -.0 | + .0 / -.008 | .014 | .010 | - |
| 3.625 - 5.625 | + .004 / -.0 | + .0 / -.009 | .014 | .010 | - |
| 5.750 - 6.750 | + .004 / -.0 | + .0 / -.010 | .014 | .010 | - |
| 7.000 - 8.500 | + .005 / -.0 | + .0 / -.011 | .016 | .010 | - |
| 9.000 - 11.000 | + .005 / -.0 | + .0 / -.011 | .016 | - | - |
| 12.000 - 16.000 | + .006 / -.0 | + .0 / -.012 | .018 | - | - |

EXAMPLES OF SEAL FAILURES AND THEIR CAUSES

| TYPE OF FAILURE | VISIBLE CONDITION | PROBABLE CAUSE | POSSIBLE CURE |
|-----------------|--|--|---|
| HARDENING | Hardening of the dynamic face causing glazing and cracks  | Heat generated by high speed | Slow stroke speed Use alternative seal device |
| | Hardening of the whole seal. Loss of elasticity.  | High fluid temperature. Deterioration of fluid. Compatibility of seal to fluid | Lower oil temperature. Renew Fluid Change to different seal compound |
| WEAR | Dynamic face is worn to glossy mirror-like finish  | Insufficient lubrication | Check oil viscosity Use alternative seal device |
| | Wear on dynamic lip is egg-shaped  | Rod or piston bore not concentric | Hone to within seal specs Replace worn rod or cylinder tube |
| | Abnormal wear on one side of the dynamic lip  | Worn bearing or wear ring. Excessive lateral load | Replace bearings Increase bearing area |
| SCARRING | Cut or dent on the lip  | Storage on a nail or peg. Improper installation tool | Store flat in a plastic bag in a closed cardboard box Installation tools should not have sharp edges |
| | Scratches on the dynamic side  | Scars on the rod or bore. Foreign material in fluid | Hone, polish, and de-burr metal parts Flush system |
| SWELLING | Material soft and misshaped  | Absorption of fluid. Fluid and seal are incompatible. Water in system | Change seal compound or system fluid Flush system |
| DETERIORATION | Cracks and loss of elasticity. Material easily crumbles  | High fluid temperature. Exposure to ozone or sunlight | Lower oil temperature Store seals away from sunlight and arc welding area. |
| GROOVING | Axial cuts on the dynamic side  | Metal chips or other foreign material in system. Imploded air bubbles | Flush system Bleed air from system |
| EXTRUSION | Extruded material on dynamic side of heel  | Gap between mating surfaces too wide. Worn bearings. Pressure extreme | Employ back-up ring. Replace bearings. Use alternative seal |
| | Extruded material on static side of seal  | Uneven support surface. Undersize back-up ring | Machine surface. Correct back-up size |

| EXAMPLES OF SEAL FAILURES AND THEIR CAUSES | | | |
|--|---|--|---|
| TYPE OF FAILURE | VISIBLE CONDITION | PROBABLE CAUSE | POSSIBLE CURE |
| FRACTURING | Chunks of material torn from dynamic side  | Excessive back pressure | Check relief valves |
| | Pressure side of seal burned and broken  | Explosion of residual air at high pressure. "Dieseling" | Check maximum pressure. Bleed air from system |
| | Long cracks in the "V" portion of the seal  | Frequent high pressure shocks or spikes. Low temperature start-up | Use alternative style seal. Warm system before applying pressure |
| | Breaking off of entire dynamic side  | Deterioration of material and/or fluid | Use alternative material or seal. Flush system |

For a professional analysis of seal failure, send your damaged seals to our Engineering Department.

When trying to determine the cause of a seal failure, it is imperative that all aspects of the situation be investigated. Often, a seal failure points to another part of the hydraulic system that has failed or been compromised in some way. To help you determine where the potential cause of a failure lies, we have developed a seal failure check list. By filling in the necessary information, you should be able to determine the cause of a failure and decide what measures to take to assure future trouble-free operation. If you have any questions regarding this form, please contact our sales staff at 1-800-777-5617.

Please Fill This Out Completely

- Describe the application:

A. Type: Telescopic Piston-rod cylinder Pump/Motor Other _____

B. Fluid Medium: Type: _____

Pressure: normal: _____ psi Temperature: system: _____ °F ambient: _____ °F

min: _____ psi min: _____ °F

max: _____ psi max: _____ °F

C. Speed: Cycles/min: _____ Length of stroke: _____ in Average speed: _____
- Inspect the application before seal removal:

A. Amount of leakage: _____ Slight Moderate Heavy leakage

B. Condition of area: _____ Clean Dusty Mud packed

_____ Painted Other _____

C. Leakage source: _____ Between wiper lip and rod Wiper blown out

_____ At gland bolt holes At gland OD

_____ Between piston and rod Across piston seal Other _____
- Inspect external cylinder conditions:

Collision that caused a pressure spike in cylinder Cylinder dented Side loading present
- Remove seals and inspect internal cylinder conditions

A. Shaft: Rod diameter out of tolerance (check entire length) Rod is scratched or scarred

Eccentricity of rod and cylinder head Surface finish (RMS) is too smooth or too rough

B. Bore: Bore diameter out of tolerance (check entire length) Bore is scratched or scarred

Bore is out of round Surface finish (RMS) is too smooth or too rough

Eccentricity of piston head and cylinder bore

C. Groove: Groove dimensions are out of tolerance Surface is nicked or scratched

Surface is dirty or rusted Surface finish (RMS) is too smooth or too rough

D. Bearing surfaces: Improper support causing eccentricity Abnormal wear of wear ring and/or bearing surfaces
- Inspect the seals for signs of failure:

A. Describe the failed seal

i. Seal type: Piston Rod Static

Part Number: _____ Size: _____ Material: _____ Profile: _____

Companion parts: _____

ii. Operation: Dynamic: Rotary Reciprocating Oscillating

Static: Radial Face

B. Describe the conditions of failure

i. Service length until failure: _____

ii. Describe seal condition: See Chart in Master Seal Catalog

| Inches | | Millimeters | Inches | | Millimeters | Inches | | Millimeters | Inches | | Millimeters |
|-----------|----------|-------------|-----------|----------|-------------|-----------|----------|-------------|-----------|----------|-------------|
| Fractions | Decimals | | Fractions | Decimals | | Fractions | Decimals | | Fractions | Decimals | |
| — | .0004 | .01 | — | .374 | 9.5 | 13/16 | .8125 | 20.638 | — | 1.4961 | 38.0 |
| — | .004 | .10 | 3/8 | .375 | 9.525 | — | .8268 | 21.0 | 1-1/2 | 1.500 | 38.100 |
| — | .01 | .25 | 25/64 | .391 | 9.922 | 53/64 | .828 | 21.034 | 1-17/32 | 1.531 | 38.894 |
| 1/64 | .0156 | .397 | — | .3937 | 10.0 | 27/32 | .844 | 21.431 | — | 1.5354 | 39.0 |
| — | .0197 | .50 | 13/32 | .406 | 10.319 | 55/64 | .859 | 21.828 | 1-9/16 | 1.562 | 39.688 |
| — | .0295 | .75 | — | .413 | 10.5 | — | .8661 | 22.0 | — | 1.5748 | 40.0 |
| 1/32 | .03125 | .794 | 27/64 | .422 | 10.716 | 7/8 | .875 | 22.225 | 1-19/32 | 1.594 | 40.481 |
| — | .0394 | 1.0 | — | .4331 | 11.0 | 57/64 | .8906 | 22.622 | — | 1.6142 | 41.0 |
| 3/64 | .0469 | 1.191 | 7/16 | .438 | 11.113 | — | .9055 | 23.0 | 1-5/8 | 1.625 | 41.275 |
| — | .059 | 1.5 | 29/64 | .453 | 11.509 | 29/32 | .9062 | 23.019 | — | 1.6535 | 42.0 |
| 1/16 | .062 | 1.588 | 15/32 | .469 | 11.906 | 59/64 | .922 | 23.416 | 1-21/32 | 1.6562 | 42.069 |
| 5/64 | .0781 | 1.984 | — | .4724 | 12.0 | 15/16 | .9375 | 23.813 | 1-11/16 | 1.6875 | 42.863 |
| — | .0787 | 2.0 | 31/64 | .484 | 12.303 | — | .9449 | 24.0 | — | 1.6929 | 43.0 |
| 3/32 | .094 | 2.381 | — | .492 | 12.5 | 61/64 | .953 | 24.209 | 1-23/32 | 1.719 | 43.656 |
| — | .0984 | 2.5 | 1/2 | .500 | 12.700 | 31/32 | .969 | 24.606 | — | 1.7323 | 44.0 |
| 7/64 | .109 | 2.778 | — | .5118 | 13.0 | — | .9843 | 25.0 | 1-3/4 | 1.750 | 44.450 |
| — | .1181 | 3.0 | 33/64 | .5156 | 13.097 | 63/64 | .9844 | 25.003 | — | 1.7717 | 45.0 |
| 1/8 | .125 | 3.175 | 17/32 | .531 | 13.494 | 1 | 1.000 | 25.400 | 1-25/32 | 1.781 | 45.244 |
| — | .1378 | 3.5 | 35/64 | .547 | 13.891 | — | 1.0236 | 26.0 | — | 1.8110 | 46.0 |
| 9/64 | .141 | 3.572 | — | .5512 | 14.0 | 1-1/32 | 1.0312 | 26.194 | 1-13/16 | 1.8125 | 46.038 |
| 5/32 | .156 | 3.969 | 9/16 | .563 | 14.288 | 1-1/16 | 1.062 | 26.988 | 1-27/32 | 1.844 | 46.831 |
| — | .1575 | 4.0 | — | .571 | 14.5 | — | 1.063 | 27.0 | — | 1.8504 | 47.0 |
| 11/64 | .172 | 4.366 | 37/64 | .578 | 14.684 | 1-3/32 | 1.094 | 27.781 | 1-7/8 | 1.875 | 47.625 |
| — | .177 | 4.5 | — | .5906 | 15.0 | — | 1.1024 | 28.0 | — | 1.8898 | 48.0 |
| 3/16 | .1875 | 4.763 | 19/32 | .594 | 15.081 | 1-1/8 | 1.125 | 28.575 | 1-29/32 | 1.9062 | 48.419 |
| — | .1969 | 5.0 | 39/64 | .609 | 15.478 | — | 1.1417 | 29.0 | — | 1.9291 | 49.0 |
| 13/64 | .203 | 5.159 | 5/8 | .625 | 15.875 | 1-5/32 | 1.156 | 29.369 | 1-15/16 | 1.9375 | 49.213 |
| — | .2165 | 5.5 | — | .6299 | 16.0 | — | 1.1811 | 30.0 | — | 1.9685 | 50.0 |
| 7/32 | .219 | 5.556 | 41/64 | .6406 | 16.272 | 1-3/16 | 1.1875 | 30.163 | 1-31/32 | 1.969 | 50.006 |
| 15/64 | .234 | 5.953 | — | .6496 | 16.5 | 1-7/32 | 1.219 | 30.956 | 2 | 2.000 | 50.800 |
| — | .2362 | 6.0 | 21/32 | .658 | 16.669 | — | 1.2205 | 31.0 | — | 2.0079 | 51.0 |
| 1/4 | .250 | 6.350 | — | .6693 | 17.0 | 1-1/4 | 1.250 | 31.750 | 2-1/32 | 2.03125 | 51.594 |
| — | .2559 | 6.5 | 43/64 | .672 | 17.066 | — | 1.2598 | 32.0 | — | 2.0472 | 52.0 |
| 17/64 | .2656 | 6.747 | 11/16 | .6875 | 17.463 | 1-9/32 | 1.281 | 32.544 | 2-1/6 | 2.062 | 52.388 |
| — | .2756 | 7.0 | 45/64 | .703 | 17.859 | — | 1.2992 | 33.0 | — | 2.0866 | 53.0 |
| 9/32 | .281 | 7.144 | — | .7087 | 18.0 | 1-5/16 | 1.312 | 33.338 | 2-3/32 | 2.094 | 53.181 |
| — | .2953 | 7.5 | 23/32 | .719 | 18.256 | — | 1.3386 | 34.0 | 2-1/8 | 2.125 | 53.975 |
| 19/64 | .297 | 7.541 | — | .7283 | 18.5 | 1-11/32 | 1.344 | 34.131 | — | 2.126 | 54.0 |
| 5/16 | .312 | 7.938 | 47/64 | .734 | 18.653 | 1-3/8 | 1.375 | 34.925 | 2-5/32 | 2.156 | 54.769 |
| — | .315 | 8.0 | — | .7480 | 19.0 | — | 1.3779 | 35.0 | — | 2.165 | 55.0 |
| 21/64 | .328 | 8.334 | 3/4 | .750 | 19.050 | 1-13/32 | 1.406 | 35.719 | 2-3/16 | 2.1875 | 55.563 |
| — | .335 | 8.5 | 49/64 | .7656 | 19.447 | — | 1.4173 | 36.0 | — | 2.2047 | 56.0 |
| 11/32 | .344 | 8.731 | 25/32 | .781 | 19.844 | 1-7/16 | 1.438 | 36.513 | 2-7/32 | 2.219 | 56.356 |
| — | .3543 | 9.0 | — | .7874 | 20.0 | — | 1.4567 | 37.0 | — | 2.244 | 57.0 |
| 23/64 | .359 | 9.128 | 51/64 | .797 | 20.241 | 1-15/32 | 1.469 | 37.306 | 2-1/4 | 2.250 | 57.150 |

| Inches | | Millimeters | Inches | | Millimeters | Inches | | Millimeters | Inches | | Millimeters |
|-----------|----------|-------------|-----------|----------|-------------|-----------|----------|-------------|-----------|----------|-------------|
| Fractions | Decimals | | Fractions | Decimals | | Fractions | Decimals | | Fractions | Decimals | |
| 2-9/32 | 2.281 | 57.944 | 3-1/16 | 3.062 | 77.788 | 3-27/32 | 3.844 | 97.631 | — | 7.4803 | 190.0 |
| — | 2.2835 | 58.0 | — | 3.0709 | 78.0 | — | 3.8583 | 98.0 | 7-1/2 | 7.500 | 190.500 |
| 2-5/16 | 2.312 | 58.738 | 3-3/32 | 3.094 | 78.581 | 3-7/8 | 3.875 | 98.425 | — | 7.8740 | 200.0 |
| — | 2.3228 | 59.0 | — | 3.1102 | 79.0 | — | 3.8976 | 99.0 | 8 | 8.000 | 203.200 |
| 2-11/32 | 2.344 | 59.531 | 3-1/8 | 3.125 | 79.581 | 3-29/32 | 3.9062 | 99.219 | — | 8.2677 | 210.0 |
| — | 2.3622 | 60.0 | — | 3.1496 | 80.0 | — | 3.9370 | 100.0 | 8-1/2 | 8.500 | 215.900 |
| 2-3/8 | 2.375 | 60.325 | 3-5/32 | 3.156 | 80.169 | 3-15/16 | 3.9375 | 100.013 | — | 8.6614 | 220.0 |
| — | 2.4016 | 61.0 | 3-3/16 | 3.1875 | 80.963 | 3-31/32 | 3.969 | 100.806 | 9 | 9.000 | 228.600 |
| 2-13/32 | 2.406 | 61.119 | — | 3.1890 | 81.0 | — | 3.9764 | 101.0 | — | 9.0551 | 230.0 |
| 2-7/16 | 2.438 | 61.913 | 3-7/32 | 3.219 | 81.756 | 4 | 4.000 | 101.600 | — | 9.4488 | 240.0 |
| — | 2.4409 | 62.0 | — | 3.2283 | 82.0 | 4-1/16 | 4.062 | 103.188 | 9-1/2 | 9.500 | 241.300 |
| 2-15/32 | 2.469 | 62.706 | 3-1/4 | 3.250 | 82.550 | 4-1/8 | 4.125 | 104.775 | — | 9.8425 | 250.0 |
| — | 2.4803 | 63.0 | — | 3.2677 | 83.0 | — | 4.1338 | 105.0 | 10 | 10.000 | 254.00 |
| 2-1/2 | 2.500 | 63.500 | 3-9/32 | 3.281 | 83.344 | 4-3/16 | 4.1875 | 106.363 | — | 10.2362 | 260.0 |
| — | 2.5197 | 64.0 | — | 3.3071 | 84.0 | 4-1/4 | 4.250 | 107.950 | — | 10.6299 | 270.0 |
| 2-17/32 | 2.531 | 64.294 | 3-5/16 | 3.312 | 84.1377 | 4-5/16 | 4.312 | 109.538 | 11 | 11.000 | 279.40 |
| — | 2.559 | 65.0 | 3-11/32 | 3.344 | 84.9314 | — | 4.3307 | 110.0 | — | 11.0236 | 280.0 |
| 2-9/16 | 2.562 | 65.088 | — | 3.3464 | 85.0 | 4-3/8 | 4.375 | 111.125 | — | 11.4173 | 290.0 |
| 2-19/32 | 2.594 | 65.881 | 3-3/8 | 3.375 | 85.725 | 4-7/16 | 4.438 | 112.713 | — | 11.8110 | 300.0 |
| — | 2.5984 | 66.0 | — | 3.3858 | 86.0 | 4-1/2 | 4.500 | 114.300 | 12 | 12.000 | 304.80 |
| 2-5/8 | 2.625 | 66.675 | 3-13/32 | 3.406 | 86.519 | — | 4.5275 | 115.0 | 13 | 13.000 | 330.20 |
| — | 2.638 | 67.0 | — | 3.4252 | 87.0 | 4-9/16 | 4.562 | 115.888 | — | 13.7795 | 350.0 |
| 2-21/32 | 2.656 | 67.469 | 3-7/16 | 3.438 | 87.313 | 4-5/8 | 4.625 | 117.475 | 14 | 14.000 | 355.60 |
| — | 2.6772 | 68.0 | — | 3.4648 | 88.0 | 4-11/16 | 4.6875 | 119.063 | 15 | 15.000 | 381.00 |
| 2-11/16 | 2.6875 | 68.263 | 3-15/32 | 3.469 | 88.108 | — | 4.7244 | 120.0 | — | 15.7480 | 400.0 |
| — | 2.7165 | 69.0 | 3-1/2 | 3.500 | 88.900 | 4-3/4 | 4.750 | 120.650 | 16 | 16.000 | 406.40 |
| 2-23/32 | 2.719 | 69.056 | — | 3.5039 | 89.0 | 4-13/16 | 4.8125 | 122.238 | 17 | 17.000 | 431.80 |
| 2-3/4 | 2.750 | 69.850 | 3-17/32 | 3.531 | 89.694 | 4-7/8 | 4.875 | 123.825 | — | 17.7165 | 450.0 |
| — | 2.7559 | 70.0 | — | 3.5433 | 90.0 | — | 4.9212 | 125.0 | 18 | 18.000 | 457.20 |
| 2-25/32 | 2.781 | 70.6439 | 3-9/16 | 3.562 | 90.4877 | 4-15/16 | 4.9375 | 125.413 | 19 | 19.000 | 482.60 |
| — | 2.7953 | 71.0 | — | 3.5827 | 91.0 | 5 | 5.000 | 127.000 | — | 19.6850 | 500.0 |
| 2-13/16 | 2.8125 | 71.4376 | 3-19/32 | 3.594 | 91.281 | — | 5.1181 | 130.0 | 20 | 20.000 | 508.00 |
| — | 2.8346 | 72.0 | — | 3.622 | 92.0 | 5-1/4 | 5.250 | 133.350 | | | |
| 2-27/32 | 2.844 | 72.2314 | 3-5/8 | 3.625 | 92.075 | 5-1/2 | 5.500 | 139.700 | | | |
| — | 2.8740 | 73.0 | 3-21/32 | 3.656 | 92.869 | — | 5.5118 | 140.0 | | | |
| 2-7/8 | 2.875 | 73.025 | — | 3.6614 | 93.0 | 5-3/4 | 5.750 | 146.050 | | | |
| 2-29/32 | 2.9062 | 73.819 | 3-11/16 | 3.6875 | 93.663 | — | 5.9055 | 150.0 | | | |
| — | 2.9134 | 74.0 | — | 3.7008 | 94.0 | 6 | 6.000 | 152.400 | | | |
| 2-15/16 | 2.9375 | 74.613 | 3-23/32 | 3.719 | 94.456 | 6-1/4 | 6.250 | 158.750 | | | |
| — | 2.9527 | 75.0 | — | 3.7401 | 95.0 | — | 6.2992 | 160.0 | | | |
| 2-31/32 | 2.969 | 75.406 | 3-3/4 | 3.750 | 95.250 | 6-1/2 | 6.500 | 165.100 | | | |
| — | 2.9921 | 76.0 | — | 3.7795 | 96.0 | — | 6.6929 | 170.0 | | | |
| 3 | 3.000 | 76.200 | 3-25/32 | 3.781 | 96.044 | 6-3/4 | 6.750 | 171.450 | | | |
| 3-1/32 | 3.0312 | 76.994 | 3-13/16 | 3.8125 | 96.838 | 7 | 7.000 | 177.800 | | | |
| — | 3.0315 | 77.0 | — | 3.8189 | 97.0 | — | 7.0866 | 180.0 | | | |

Piston - Rod Cylinder Force

Working Pressure of Hydraulic Fluid PSI

| BORE | AREA | ROD | SIZE | 50 | 100 | 250 | 500 | 1000 | 1500 | 2000 | 3000 | 5000 |
|-------|------|-----|-------|-------|-------|--------|--------|--------|---------|---------|---------|---------|
| 1-1/2 | PUSH | — | | 88 | 177 | 443 | 885 | 1,770 | 2,655 | 3,540 | 5,310 | 8,850 |
| | PULL | STD | 5/8 | 73 | 146 | 365 | 730 | 1,460 | 2,190 | 2,920 | 4,380 | 7,300 |
| | PULL | 2:1 | 1 | 49 | 98 | 245 | 490 | 980 | 1,470 | 1,960 | 2,940 | 4,900 |
| 2 | PUSH | — | | 157 | 314 | 785 | 1,570 | 3,140 | 4,710 | 6,280 | 9,420 | 15,700 |
| | PULL | STD | 1 | 118 | 236 | 590 | 1,180 | 2,360 | 3,540 | 4,720 | 7,080 | 11,800 |
| | PULL | 2:1 | 1-3/8 | 83 | 166 | 415 | 830 | 1,660 | 2,490 | 3,320 | 4,980 | 8,300 |
| 2-1/2 | PUSH | — | | 246 | 491 | 1,228 | 2,455 | 4,910 | 7,265 | 9,820 | 14,730 | 24,550 |
| | PULL | STD | 1 | 206 | 412 | 1,030 | 2,060 | 4,120 | 6,180 | 8,240 | 12,360 | 20,600 |
| | PULL | 2:1 | 1-3/4 | 125 | 250 | 625 | 1,250 | 2,500 | 3,750 | 5,000 | 7,500 | 12,500 |
| 3-1/2 | PUSH | — | | 415 | 830 | 2,075 | 4,150 | 8,300 | 12,450 | 16,600 | 24,900 | 41,500 |
| | PULL | STD | 1-3/8 | 341 | 681 | 1,703 | 3,405 | 6,810 | 10,215 | 13,620 | 20,430 | 34,050 |
| | PULL | 2:1 | 2 | 258 | 515 | 1,288 | 2,575 | 5,150 | 7,725 | 10,300 | 15,450 | 25,750 |
| 4 | PUSH | — | | 628 | 1,257 | 3,143 | 6,285 | 12,570 | 18,855 | 25,140 | 37,710 | 62,850 |
| | PULL | STD | 1-3/4 | 508 | 1,016 | 2,540 | 5,080 | 10,160 | 15,240 | 20,320 | 30,480 | 50,800 |
| | PULL | 2:1 | 2-1/2 | 383 | 766 | 1,916 | 3,830 | 7,660 | 11,490 | 15,320 | 22,980 | 38,300 |
| 5 | PUSH | — | | 982 | 1,964 | 4,910 | 9,820 | 19,640 | 29,460 | 39,280 | 58,920 | 98,200 |
| | PULL | STD | 2 | 825 | 1,649 | 4,123 | 8,245 | 16,490 | 24,735 | 32,980 | 49,470 | 82,450 |
| | PULL | 2:1 | 3-1/2 | 500 | 1,001 | 2,503 | 5,005 | 10,010 | 15,015 | 20,020 | 30,030 | 50,050 |
| 6 | PUSH | — | | 1,413 | 2,827 | 7,068 | 14,135 | 28,270 | 42,405 | 56,540 | 84,810 | 141,350 |
| | PULL | STD | 2-1/2 | 1,168 | 2,336 | 5,840 | 11,680 | 23,360 | 35,040 | 46,720 | 70,080 | 116,800 |
| | PULL | 2:1 | 4 | 786 | 1,571 | 3,928 | 7,855 | 15,710 | 23,565 | 31,420 | 47,130 | 78,550 |
| 7 | PUSH | — | | 1,924 | 3,849 | 9,623 | 19,245 | 38,490 | 57,735 | 76,980 | 115,470 | 192,450 |
| | PULL | STD | 3 | 1,571 | 3,142 | 7,855 | 15,710 | 31,420 | 47,130 | 62,840 | 94,260 | 157,100 |
| | PULL | 2:1 | 5 | 942 | 1,885 | 4,713 | 9,425 | 18,850 | 28,275 | 37,700 | 56,550 | 94,250 |
| 8 | PUSH | — | | 2,514 | 5,027 | 12,568 | 25,135 | 50,270 | 75,405 | 100,540 | 150,810 | 251,350 |
| | PULL | STD | 3-1/2 | 2,032 | 4,064 | 10,160 | 20,320 | 40,640 | 60,960 | 81,280 | 121,920 | 203,200 |
| | PULL | 2:1 | 5-1/2 | 1,326 | 2,651 | 6,628 | 13,255 | 26,510 | 39,765 | 53,020 | 79,530 | 132,550 |
| 10 | PUSH | — | | 3,927 | 7,854 | 19,635 | 39,270 | 78,540 | 117,810 | 157,080 | 235,620 | 392,700 |
| | PULL | STD | 4-1/2 | 3,132 | 6,264 | 15,660 | 31,320 | 62,640 | 93,960 | 125,280 | 187,920 | 313,200 |
| | PULL | 2:1 | 7 | 2,003 | 4,006 | 10,015 | 20,030 | 40,060 | 60,090 | 80,120 | 120,180 | 200,300 |

This table is a ready reference of forces available from either end from various cylinder and rod sizes at a range of pressures. For pressures intermediate between those shown, add force values from two or more pressures whose sum equals the given operating pressure. Values neglect friction and back pressure on the return side.

In Inch Pounds

| RPM | Horsepower | | | | | | | | | | | | |
|-------|------------|---------|---------|---------|---------|---------|---------|---------|---------|---------|---------|-----------|-----------|
| | 1 | 2 | 3 | 4 | 5 | 6 | 7 | 8 | 9 | 10 | 15 | 20 | 25 |
| 1 | 63,025 | 126,050 | 189,076 | 252,100 | 315,125 | 378,150 | 441,175 | 504,200 | 567,225 | 630,250 | 945,375 | 1,260,507 | 1,575,634 |
| 2 | 31,512 | 63,025 | 94,538 | 126,050 | 157,563 | 189,075 | 220,588 | 252,100 | 283,613 | 315,125 | 472,688 | 630,250 | 787,813 |
| 3 | 21,009 | 42,017 | 63,025 | 84,036 | 105,042 | 126,050 | 147,058 | 168,067 | 189,075 | 210,083 | 315,125 | 420,167 | 525,208 |
| 4 | 15,756 | 31,512 | 47,269 | 63,025 | 78,781 | 94,538 | 110,294 | 126,050 | 141,806 | 157,563 | 236,344 | 315,125 | 393,906 |
| 5 | 12,605 | 25,210 | 37,815 | 50,420 | 63,025 | 75,630 | 88,236 | 100,840 | 113,445 | 126,050 | 189,076 | 252,100 | 315,125 |
| 6 | 10,506 | 21,009 | 31,513 | 42,017 | 52,521 | 63,025 | 73,529 | 84,033 | 94,538 | 105,040 | 157,563 | 210,083 | 262,604 |
| 7 | 9,004 | 18,007 | 27,011 | 36,016 | 45,018 | 54,021 | 63,025 | 72,029 | 81,032 | 90,036 | 135,054 | 180,071 | 225,089 |
| 8 | 7,878 | 15,756 | 23,634 | 31,512 | 39,391 | 47,269 | 55,147 | 63,025 | 70,903 | 78,780 | 118,172 | 157,563 | 196,953 |
| 9 | 7,003 | 14,006 | 21,010 | 28,011 | 35,014 | 42,017 | 49,019 | 56,022 | 63,025 | 70,030 | 105,042 | 140,056 | 175,069 |
| 10 | 6,303 | 12,605 | 18,908 | 25,210 | 31,512 | 37,815 | 44,118 | 50,420 | 56,723 | 63,025 | 94,538 | 126,050 | 157,563 |
| 20 | 3,151 | 6,303 | 9,454 | 12,605 | 15,756 | 18,908 | 22,059 | 25,210 | 28,316 | 31,512 | 47,269 | 63,025 | 78,781 |
| 25 | 2,521 | 5,042 | 7,563 | 10,084 | 12,605 | 15,126 | 17,647 | 20,168 | 22,689 | 25,210 | 37,815 | 50,420 | 63,025 |
| 30 | 2,101 | 4,202 | 6,303 | 8,403 | 10,504 | 12,605 | 14,705 | 16,807 | 18,908 | 21,009 | 31,513 | 42,017 | 52,521 |
| 40 | 1,576 | 3,151 | 4,727 | 6,303 | 7,878 | 9,454 | 11,029 | 12,605 | 14,181 | 15,756 | 23,634 | 31,513 | 39,391 |
| 50 | 1,261 | 2,521 | 3,782 | 5,042 | 6,303 | 7,563 | 8,824 | 10,084 | 11,345 | 12,605 | 18,908 | 25,210 | 31,513 |
| 60 | 1,050 | 2,101 | 3,151 | 4,202 | 5,252 | 6,303 | 7,353 | 8,403 | 9,454 | 10,504 | 15,756 | 21,009 | 26,260 |
| 70 | 900 | 1,801 | 2,701 | 3,601 | 4,502 | 5,402 | 6,303 | 7,203 | 8,103 | 9,004 | 13,506 | 18,007 | 22,509 |
| 75 | 840 | 1,681 | 2,521 | 3,361 | 4,202 | 5,042 | 5,882 | 6,723 | 7,563 | 8,403 | 12,605 | 16,806 | 21,008 |
| 80 | 788 | 1,576 | 2,363 | 3,151 | 3,939 | 4,727 | 5,515 | 6,303 | 7,090 | 7,878 | 11,817 | 15,756 | 19,695 |
| 90 | 700 | 1,400 | 2,101 | 2,801 | 3,501 | 4,202 | 4,902 | 5,602 | 6,303 | 7,003 | 10,504 | 14,006 | 17,507 |
| 100 | 630 | 1,261 | 1,891 | 2,521 | 3,151 | 3,782 | 4,412 | 5,042 | 5,672 | 6,303 | 9,453 | 12,605 | 15,758 |
| 150 | 420 | 840 | 1,261 | 1,681 | 2,101 | 2,251 | 2,941 | 3,361 | 3,781 | 4,202 | 6,303 | 8,403 | 10,504 |
| 200 | 315 | 630 | 945 | 1,261 | 1,575 | 1,891 | 2,206 | 2,521 | 2,836 | 3,151 | 4,727 | 6,303 | 7,878 |
| 250 | 252 | 504 | 756 | 1,008 | 1,260 | 1,531 | 1,765 | 2,017 | 2,269 | 2,521 | 3,782 | 5,042 | 6,303 |
| 300 | 210 | 420 | 630 | 840 | 1,050 | 1,261 | 1,471 | 1,681 | 1,891 | 2,101 | 3,151 | 4,202 | 5,252 |
| 350 | 180 | 360 | 540 | 720 | 900 | 1,080 | 1,261 | 1,441 | 1,621 | 1,801 | 2,701 | 3,601 | 4,502 |
| 400 | 158 | 315 | 473 | 630 | 788 | 945 | 1,104 | 1,261 | 1,418 | 1,576 | 2,364 | 3,151 | 3,939 |
| 450 | 141 | 280 | 420 | 560 | 700 | 840 | 980 | 1,120 | 1,261 | 1,401 | 2,101 | 2,801 | 3,501 |
| 500 | 126 | 252 | 378 | 504 | 630 | 756 | 882 | 1,008 | 1,134 | 1,261 | 1,891 | 2,521 | 3,151 |
| 550 | 115 | 229 | 344 | 458 | 573 | 688 | 802 | 917 | 1,031 | 1,146 | 1,719 | 2,292 | 2,865 |
| 600 | 105 | 210 | 315 | 420 | 525 | 630 | 735 | 840 | 945 | 1,050 | 1,576 | 2,101 | 2,626 |
| 650 | 97 | 194 | 291 | 388 | 485 | 582 | 679 | 776 | 873 | 970 | 1,454 | 1,939 | 2,424 |
| 700 | 90 | 180 | 270 | 360 | 450 | 540 | 630 | 720 | 810 | 900 | 1,351 | 1,801 | 2,251 |
| 750 | 84 | 168 | 252 | 336 | 420 | 504 | 588 | 672 | 756 | 840 | 1,261 | 1,681 | 2,101 |
| 800 | 79 | 158 | 236 | 315 | 393 | 473 | 551 | 630 | 709 | 788 | 1,182 | 1,576 | 1,970 |
| 850 | 74 | 148 | 222 | 297 | 371 | 445 | 519 | 593 | 667 | 741 | 1,112 | 1,483 | 1,854 |
| 900 | 70 | 140 | 210 | 280 | 350 | 420 | 490 | 560 | 630 | 700 | 1,050 | 1,400 | 1,751 |
| 950 | 66 | 133 | 199 | 265 | 332 | 398 | 464 | 531 | 597 | 663 | 995 | 1,327 | 1,659 |
| 1000 | 63 | 126 | 189 | 252 | 315 | 378 | 441 | 504 | 567 | 630 | 945 | 1,261 | 1,576 |
| 1100 | 57 | 115 | 172 | 229 | 286 | 344 | 401 | 458 | 516 | 573 | 860 | 1,146 | 1,432 |
| 1200 | 53 | 105 | 158 | 210 | 263 | 315 | 368 | 420 | 473 | 525 | 788 | 1,050 | 1,313 |
| 1300 | 48 | 97 | 145 | 194 | 242 | 291 | 339 | 388 | 436 | 485 | 727 | 970 | 1,212 |
| 1400 | 45 | 90 | 135 | 180 | 225 | 270 | 315 | 360 | 405 | 450 | 675 | 900 | 1,125 |
| 1500 | 42 | 84 | 126 | 168 | 210 | 252 | 294 | 336 | 378 | 420 | 630 | 840 | 1,050 |
| 1600 | 39 | 79 | 118 | 158 | 197 | 236 | 276 | 315 | 355 | 394 | 591 | 788 | 985 |
| 1700 | 37 | 74 | 111 | 148 | 185 | 222 | 260 | 296 | 334 | 371 | 556 | 741 | 927 |
| 1800 | 35 | 70 | 105 | 140 | 175 | 210 | 245 | 280 | 315 | 350 | 525 | 700 | 875 |
| 1900 | 33 | 66 | 100 | 133 | 166 | 199 | 232 | 265 | 299 | 332 | 498 | 663 | 829 |
| 2000 | 32 | 63 | 95 | 126 | 158 | 189 | 221 | 252 | 284 | 315 | 473 | 630 | 788 |
| 2100 | 30 | 60 | 90 | 120 | 150 | 180 | 210 | 240 | 270 | 300 | 450 | 600 | 750 |
| 2200 | 29 | 57 | 86 | 115 | 143 | 172 | 201 | 229 | 258 | 286 | 430 | 573 | 716 |
| 2300 | 27 | 55 | 82 | 110 | 137 | 164 | 192 | 219 | 247 | 274 | 411 | 548 | 685 |
| 2400 | 26 | 53 | 79 | 105 | 131 | 158 | 184 | 210 | 236 | 263 | 394 | 525 | 657 |
| 2500 | 25 | 50 | 76 | 101 | 126 | 151 | 176 | 202 | 227 | 252 | 378 | 504 | 630 |
| 2750 | 23 | 46 | 69 | 92 | 115 | 138 | 160 | 183 | 206 | 229 | 344 | 458 | 573 |
| 3000 | 21 | 42 | 63 | 84 | 105 | 126 | 147 | 168 | 189 | 210 | 315 | 420 | 525 |
| 3250 | 19 | 39 | 58 | 78 | 97 | 116 | 136 | 155 | 175 | 194 | 291 | 388 | 485 |
| 3500 | 18 | 36 | 54 | 72 | 90 | 108 | 126 | 144 | 162 | 180 | 270 | 360 | 450 |
| 3750 | 17 | 34 | 50 | 67 | 84 | 101 | 118 | 134 | 151 | 168 | 252 | 336 | 420 |
| 4000 | 16 | 32 | 47 | 63 | 79 | 95 | 110 | 126 | 142 | 158 | 236 | 315 | 394 |
| 4250 | 15 | 30 | 44 | 59 | 74 | 89 | 104 | 119 | 133 | 148 | 222 | 297 | 371 |
| 4500 | 14 | 28 | 42 | 56 | 70 | 84 | 98 | 112 | 126 | 140 | 210 | 280 | 350 |
| 4750 | 13 | 27 | 40 | 53 | 66 | 80 | 93 | 106 | 119 | 133 | 199 | 265 | 332 |
| 5000 | 13 | 25 | 38 | 50 | 63 | 76 | 88 | 101 | 113 | 126 | 189 | 252 | 315 |
| 6000 | 11 | 21 | 32 | 42 | 53 | 63 | 74 | 84 | 95 | 105 | 158 | 210 | 263 |
| 7000 | 9 | 18 | 27 | 36 | 45 | 54 | 63 | 72 | 81 | 90 | 135 | 180 | 225 |
| 8000 | 8 | 16 | 24 | 32 | 39 | 47 | 55 | 63 | 71 | 79 | 118 | 158 | 197 |
| 9000 | 7 | 14 | 21 | 28 | 35 | 42 | 49 | 56 | 63 | 70 | 105 | 140 | 175 |
| 10000 | 6 | 13 | 19 | 25 | 32 | 38 | 44 | 50 | 57 | 63 | 95 | 126 | 158 |

Inches / Minute

| PISTON DIAMETER | ROD DIAMETER | FLOW - GPM | | | | | | | | | | |
|-----------------|--------------|------------|-----|------|------|------|------|------|------|------|------|------|
| | | 1 | 2 | 3 | 5 | 10 | 12 | 15 | 20 | 25 | 50 | 75 |
| 1 | — | 298 | 596 | 894 | 1490 | | | | | | | |
| | 1/2 | 392 | 784 | 1176 | 1960 | | | | | | | |
| 1-1/2 | — | 130 | 260 | 392 | 654 | 1308 | | | | | | |
| | 5/8 | 158 | 316 | 476 | 792 | 1584 | | | | | | |
| | 1 | 235 | 470 | 706 | 1176 | 2352 | | | | | | |
| 2 | — | 73 | 146 | 221 | 368 | 736 | 883 | 1120 | | | | |
| | 3/4 | 85 | 170 | 257 | 428 | 956 | 1025 | 1283 | | | | |
| | 1 | 97 | 184 | 294 | 490 | 980 | 1175 | 1465 | | | | |
| | 1-3/8 | 139 | 278 | 418 | 697 | 1394 | 1673 | 2090 | | | | |
| 2-1/2 | — | 47 | 94 | 141 | 235 | 470 | 565 | 675 | 940 | 1175 | | |
| | 1 | 56 | 112 | 168 | 280 | 560 | 672 | 840 | 1120 | 1400 | | |
| | 1-3/8 | 67 | 134 | 203 | 339 | 678 | 813 | 1015 | 1355 | 1695 | | |
| | 1-3/4 | 92 | 184 | 277 | 463 | 926 | 1110 | 1385 | 1850 | 2310 | | |
| 3 | — | 32 | 64 | 98 | 163 | 326 | 392 | 490 | 653 | 817 | | |
| | 1 | 36 | 72 | 110 | 184 | 368 | 440 | 551 | 735 | 920 | | |
| | 1-1/2 | 43 | 86 | 131 | 218 | 436 | 523 | 655 | 872 | 1090 | | |
| | 2 | 58 | 116 | 176 | 294 | 588 | 705 | 882 | 1175 | 1470 | | |
| 3-1/2 | — | 24 | 48 | 72 | 120 | 240 | 288 | 360 | 480 | 600 | 1200 | |
| | 1-1/4 | 27 | 54 | 82 | 137 | 274 | 330 | 411 | 548 | 685 | 1370 | |
| | 1-3/4 | 32 | 64 | 96 | 160 | 320 | 384 | 480 | 640 | 800 | 1600 | |
| | 2 | 35 | 70 | 107 | 178 | 356 | 428 | 534 | 712 | 890 | 1780 | |
| 4 | — | 18 | 36 | 55 | 92 | 184 | 220 | 276 | 368 | 460 | 920 | |
| | 1-1/4 | 20 | 40 | 61 | 102 | 204 | 244 | 306 | 408 | 510 | 1020 | |
| | 1-3/4 | 22 | 44 | 68 | 113 | 226 | 273 | 339 | 452 | 565 | 1130 | |
| | 2 | 24 | 48 | 73 | 122 | 244 | 294 | 366 | 488 | 610 | 1220 | |
| | 2-1/2 | 30 | 60 | 90 | 150 | 300 | 362 | 450 | 600 | 750 | 1500 | |
| 5 | — | 12 | 24 | 35 | 58 | 116 | 141 | 174 | 232 | 290 | 580 | 870 |
| | 1-1/2 | 13 | 26 | 39 | 64 | 128 | 155 | 193 | 258 | 320 | 640 | 960 |
| | 2 | 14 | 28 | 42 | 70 | 140 | 168 | 210 | 280 | 350 | 700 | 1050 |
| | 2-1/2 | 16 | 32 | 47 | 78 | 156 | 188 | 235 | 315 | 390 | 780 | 1170 |
| | 3 | 18 | 36 | 55 | 92 | 184 | 220 | 275 | 365 | 460 | 920 | 1380 |
| | 3-1/2 | 22 | 44 | 66 | 111 | 222 | 266 | 333 | 444 | 555 | 1110 | 1665 |
| 6 | — | 8 | 16 | 24 | 41 | 82 | 98 | 123 | 162 | 202 | 404 | 606 |
| | 1-3/4 | 9 | 18 | 27 | 45 | 90 | 107 | 135 | 180 | 225 | 450 | 675 |
| | 2-1/2 | 10 | 20 | 30 | 50 | 100 | 118 | 150 | 200 | 250 | 500 | 750 |
| | 3 | 11 | 22 | 33 | 54 | 108 | 130 | 165 | 206 | 270 | 540 | 810 |
| | 3-1/2 | 12 | 24 | 37 | 62 | 124 | 148 | 185 | 245 | 310 | 620 | 930 |
| | 4 | 15 | 30 | 44 | 73 | 146 | 176 | 220 | 295 | 365 | 730 | 1095 |
| 8 | — | 4 | 8 | 14 | 23 | 46 | 55 | 69 | 92 | 115 | 230 | 345 |
| | 3-1/2 | 5-1/2 | 11 | 17 | 28 | 56 | 68 | 85 | 115 | 140 | 280 | 420 |
| | 4 | 6 | 12 | 18 | 30 | 60 | 73 | 90 | 122 | 150 | 300 | 450 |
| | 5 | 7-1/2 | 15 | 22 | 38 | 76 | 90 | 114 | 150 | 185 | 375 | 555 |
| | 5-1/2 | 8-1/2 | 17 | 26 | 43 | 86 | 104 | 129 | 172 | 215 | 430 | 645 |
| 10 | — | 3 | 6 | 9 | 15 | 30 | 35 | 44 | 60 | 73 | 146 | 220 |
| | 4-1/2 | 3-1/2 | 7 | 11 | 18 | 36 | 44 | 55 | 75 | 92 | 184 | 275 |
| | 5 | 4 | 8 | 12 | 20 | 40 | 47 | 60 | 80 | 100 | 200 | 300 |
| | 5-1/2 | 4-1/2 | 9 | 13 | 21 | 42 | 50 | 63 | 84 | 105 | 210 | 315 |
| | 7 | 5-1/2 | 11 | 17 | 29 | 58 | 69 | 87 | 115 | 145 | 290 | 435 |

This chart is based on the formula $V = \frac{231 \times \text{GPM}}{\text{EFF. CYL. AREA (Sq. Inches)}}$

Required to Drive a Hydraulic Pump

| GPM | PUMP PRESSURE PSI | | | | | | | | | | |
|-------|-------------------|------|------|------|------|------|------|------|------|-------|-------|
| | 100 | 200 | 250 | 300 | 400 | 500 | 750 | 1000 | 1250 | 1500 | 2000 |
| 1/2 | .04 | .07 | .09 | .10 | .14 | .17 | .26 | .34 | .43 | .52 | .69 |
| 1 | .07 | .14 | .17 | .21 | .28 | .34 | .52 | .69 | .86 | 1.03 | 1.37 |
| 1 1/2 | .10 | .21 | .26 | .31 | .41 | .52 | .77 | 1.03 | 1.29 | 1.54 | 2.06 |
| 2 | .14 | .28 | .34 | .41 | .55 | .69 | 1.03 | 1.37 | 1.72 | 2.06 | 2.75 |
| 2 1/2 | .17 | .34 | .43 | .52 | .69 | .86 | 1.29 | 1.72 | 2.15 | 2.58 | 3.43 |
| 3 | .21 | .41 | .52 | .62 | .83 | 1.03 | 1.54 | 2.06 | 2.57 | 3.09 | 4.12 |
| 3 1/2 | .24 | .48 | .60 | .72 | .96 | 1.20 | 1.80 | 2.40 | 3.00 | 3.60 | 4.81 |
| 4 | .28 | .55 | .69 | .82 | 1.10 | 1.37 | 2.06 | 2.75 | 3.43 | 4.12 | 5.49 |
| 5 | .34 | .69 | .86 | 1.03 | 1.32 | 1.72 | 2.57 | 3.43 | 4.29 | 5.15 | 6.86 |
| 6 | .41 | .82 | 1.03 | 1.24 | 1.65 | 2.06 | 3.09 | 4.12 | 5.15 | 6.18 | 8.24 |
| 7 | .48 | .96 | 1.20 | 1.44 | 1.92 | 2.40 | 3.60 | 4.81 | 6.01 | 7.21 | 9.61 |
| 8 | .55 | 1.10 | 1.37 | 1.65 | 2.20 | 2.75 | 4.12 | 5.49 | 6.86 | 8.24 | 11.0 |
| 9 | .62 | 1.24 | 1.55 | 1.85 | 2.47 | 3.09 | 4.63 | 6.18 | 7.72 | 9.27 | 12.4 |
| 10 | .69 | 1.37 | 1.62 | 2.06 | 2.75 | 3.43 | 5.15 | 6.86 | 8.58 | 10.3 | 13.8 |
| 11 | .76 | 1.51 | 1.89 | 2.27 | 3.02 | 3.78 | 5.66 | 7.55 | 9.44 | 11.3 | 15.1 |
| 12 | .83 | 1.65 | 2.06 | 2.47 | 3.30 | 4.12 | 6.18 | 8.24 | 10.3 | 12.4 | 16.5 |
| 13 | .89 | 1.79 | 2.23 | 2.68 | 3.57 | 4.46 | 6.69 | 8.92 | 11.2 | 13.4 | 17.8 |
| 14 | .96 | 1.92 | 2.40 | 2.88 | 3.84 | 4.81 | 7.21 | 9.61 | 12.0 | 14.4 | 19.2 |
| 15 | 1.03 | 2.06 | 2.57 | 3.09 | 4.12 | 5.15 | 7.72 | 10.3 | 12.9 | 15.4 | 20.6 |
| 16 | 1.10 | 2.20 | 2.75 | 3.30 | 4.39 | 5.49 | 8.24 | 11.0 | 13.7 | 16.5 | 22.0 |
| 17 | 1.17 | 2.33 | 2.92 | 3.50 | 4.68 | 5.83 | 8.75 | 11.7 | 14.6 | 17.5 | 23.3 |
| 18 | 1.24 | 2.47 | 3.09 | 3.71 | 4.94 | 6.18 | 9.27 | 12.4 | 15.4 | 18.5 | 24.7 |
| 19 | 1.30 | 2.61 | 3.26 | 3.91 | 5.22 | 6.52 | 9.78 | 13.0 | 16.3 | 19.6 | 26.1 |
| 20 | 1.37 | 2.75 | 3.43 | 4.12 | 5.49 | 6.86 | 10.3 | 13.7 | 17.2 | 21.6 | 27.5 |
| 25 | 1.72 | 3.43 | 4.29 | 5.15 | 6.86 | 8.58 | 12.9 | 17.2 | 21.5 | 25.8 | 34.3 |
| 30 | 2.06 | 4.12 | 5.15 | 6.18 | 8.24 | 10.3 | 15.4 | 20.6 | 25.7 | 30.9 | 41.2 |
| 35 | 2.40 | 4.81 | 6.01 | 7.21 | 9.61 | 12.0 | 18.0 | 24.0 | 30.0 | 36.0 | 48.0 |
| 40 | 2.75 | 5.49 | 6.86 | 8.24 | 11.0 | 13.7 | 20.6 | 27.5 | 34.3 | 41.2 | 54.9 |
| 45 | 3.09 | 6.18 | 7.72 | 9.27 | 12.4 | 15.4 | 23.2 | 31.0 | 38.6 | 46.3 | 61.8 |
| 50 | 3.43 | 6.86 | 8.58 | 10.3 | 13.7 | 17.2 | 25.7 | 34.3 | 42.9 | 51.5 | 68.6 |
| 55 | 3.78 | 7.55 | 9.44 | 11.3 | 15.1 | 18.9 | 28.3 | 37.8 | 47.2 | 56.6 | 75.5 |
| 60 | 4.12 | 8.24 | 10.3 | 12.4 | 16.5 | 20.6 | 30.9 | 41.2 | 51.5 | 61.8 | 83.4 |
| 65 | 4.46 | 8.92 | 11.2 | 13.4 | 17.8 | 22.3 | 33.5 | 44.6 | 55.8 | 66.9 | 89.2 |
| 70 | 4.81 | 9.61 | 12.0 | 14.4 | 19.2 | 24.0 | 36.0 | 48.0 | 60.1 | 72.1 | 96.1 |
| 75 | 5.15 | 10.3 | 12.9 | 15.4 | 20.6 | 25.7 | 38.6 | 51.4 | 64.3 | 77.2 | 103.0 |
| 80 | 5.49 | 11.0 | 13.7 | 16.5 | 22.0 | 27.5 | 41.2 | 54.9 | 68.6 | 82.4 | 109.8 |
| 90 | 6.18 | 12.4 | 15.4 | 18.5 | 24.7 | 30.9 | 46.3 | 61.8 | 77.2 | 92.7 | 123.6 |
| 100 | 6.86 | 13.7 | 17.2 | 20.6 | 27.5 | 34.4 | 51.5 | 68.6 | 85.8 | 103.0 | 137.3 |

This chart is based on the formula $HP = \frac{GPM \times PSI}{1714 \times \text{EFFICIENCY}}$

For the purposes of this chart, pump efficiency was assumed to be 85%.

As horsepower varies directly with flow or pressure, multiply proportionately to determine values not shown. For instance, at 4000 PSI multiply 2000 PSI values by 2.

| Diam. | Circum. | Area | Diam. | Circum. | Area | Diam. | Circum. | Area | Diam. | Circum. | Area | Diam. | Circum. | Area |
|-------|---------|--------|-------|---------|--------|-------|---------|--------|-------|---------|--------|-------|---------|--------|
| | | | 1 | 3.1416 | .7854 | 5 | 15.708 | 19.635 | 12 | 37.699 | 113.10 | 24 | 75.398 | 452.39 |
| 1/64 | .04909 | .00019 | 1/16 | 3.3379 | .8866 | 1/8 | 16.101 | 20.629 | 1/4 | 38.485 | 117.86 | 1/4 | 76.184 | 461.86 |
| 1/32 | .09818 | .00077 | 1/8 | 3.5343 | .9940 | 1/4 | 16.493 | 21.648 | 1/2 | 39.270 | 122.72 | 1/2 | 76.969 | 471.44 |
| 3/64 | .14726 | .00173 | 3/16 | 3.7306 | 1.1075 | 3/8 | 16.886 | 22.691 | 3/4 | 40.055 | 127.68 | 3/4 | 77.764 | 481.11 |
| 1/16 | .1965 | .00307 | 1/4 | 3.9270 | 1.2272 | 1/2 | 17.279 | 23.758 | 13 | 40.841 | 132.73 | 25 | 78.540 | 490.87 |
| 5/64 | .24544 | .00479 | 5/16 | 4.1233 | 1.3530 | 5/8 | 17.671 | 24.850 | 1/4 | 41.626 | 137.89 | 1/4 | 79.325 | 500.74 |
| 3/32 | .29452 | .00690 | 3/8 | 4.3197 | 1.4849 | 3/4 | 18.064 | 25.967 | 1/2 | 42.412 | 143.14 | 1/2 | 80.111 | 510.71 |
| 7/64 | .34361 | .00940 | 7/16 | 4.5160 | 1.6230 | 7/8 | 18.457 | 27.109 | 3/4 | 43.197 | 148.49 | 3/4 | 80.896 | 520.77 |
| 1/8 | .39270 | .01227 | 1/2 | 4.7124 | 1.7671 | 6 | 18.850 | 28.274 | 14 | 43.982 | 153.94 | 26 | 81.681 | 530.93 |
| 9/64 | .44179 | .01553 | 9/16 | 4.9087 | 1.9175 | 1/8 | 19.242 | 29.465 | 1/4 | 44.768 | 159.48 | 1/4 | 82.467 | 541.19 |
| 5/32 | .49087 | .01917 | 5/8 | 5.1051 | 2.0739 | 1/4 | 19.635 | 30.680 | 1/2 | 45.553 | 165.13 | 1/2 | 83.252 | 551.55 |
| 11/64 | .53996 | .02320 | 11/16 | 5.3014 | 2.2365 | 3/8 | 20.028 | 31.919 | 3/4 | 46.338 | 170.87 | 3/4 | 84.038 | 562.00 |
| 3/16 | .58905 | .02761 | 3/4 | 5.4978 | 2.4053 | 1/2 | 20.420 | 33.183 | 15 | 47.124 | 176.71 | 27 | 84.823 | 572.56 |
| 13/64 | .63814 | .03241 | 13/16 | 5.6941 | 2.5802 | 5/8 | 20.813 | 34.472 | 1/4 | 47.909 | 182.65 | 1/4 | 85.608 | 583.21 |
| 7/32 | .68722 | .03758 | 7/8 | 5.8905 | 2.7612 | 3/4 | 21.206 | 35.785 | 1/2 | 48.695 | 188.69 | 1/2 | 86.394 | 593.96 |
| 15/64 | .73631 | .04314 | 15/16 | 6.0868 | 2.9483 | 7/8 | 21.598 | 37.122 | 3/4 | 49.480 | 194.83 | 3/4 | 87.179 | 604.81 |
| 1/4 | .78540 | .04909 | 2 | 6.2832 | 3.1416 | 7 | 21.991 | 38.485 | 16 | 50.265 | 201.06 | 28 | 87.965 | 615.75 |
| 17/64 | .83449 | .05542 | 1/16 | 6.4795 | 3.3410 | 1/8 | 22.384 | 39.871 | 1/4 | 51.051 | 207.39 | 1/4 | 88.750 | 626.80 |
| 9/32 | .88357 | .06213 | 1/8 | 6.6759 | 3.5466 | 1/4 | 22.776 | 41.282 | 1/2 | 51.836 | 213.82 | 1/2 | 89.535 | 637.94 |
| 19/64 | .93266 | .06922 | 3/16 | 6.8722 | 3.7583 | 3/8 | 23.169 | 42.718 | 3/4 | 52.622 | 220.35 | 3/4 | 90.321 | 649.18 |
| 5/16 | .98175 | .07670 | 1/4 | 7.0686 | 3.9761 | 1/2 | 23.562 | 44.179 | 17 | 53.407 | 226.98 | 29 | 91.106 | 660.52 |
| 21/64 | 1.03084 | .08456 | 5/16 | 7.2649 | 4.2000 | 5/8 | 23.955 | 45.664 | 1/4 | 54.192 | 233.71 | 1/4 | 91.892 | 671.96 |
| 11/32 | 1.0799 | .09281 | 3/8 | 7.4613 | 4.4301 | 3/4 | 24.347 | 47.173 | 1/2 | 54.978 | 240.53 | 1/2 | 92.677 | 683.49 |
| 23/64 | 1.1290 | .10143 | 7/16 | 7.6576 | 4.6664 | 7/8 | 24.740 | 48.707 | 3/4 | 55.763 | 247.45 | 3/4 | 93.462 | 695.13 |
| 3/8 | 1.1781 | .11045 | 1/2 | 7.8540 | 4.9087 | 8 | 25.133 | 50.265 | 18 | 56.549 | 254.47 | 30 | 94.248 | 708.86 |
| 25/64 | 1.2272 | .11984 | 9/16 | 8.0503 | 5.1572 | 1/8 | 25.525 | 51.849 | 1/4 | 57.334 | 261.59 | 1/4 | 95.033 | 718.69 |
| 13/32 | 1.2763 | .12962 | 5/8 | 8.2467 | 5.4119 | 1/4 | 25.918 | 53.456 | 1/2 | 58.119 | 268.80 | 1/2 | 95.819 | 730.62 |
| 27/64 | 1.3254 | .13978 | 11/16 | 8.4430 | 5.6727 | 3/8 | 26.311 | 55.088 | 3/4 | 58.905 | 276.12 | 3/4 | 96.604 | 742.64 |
| 7/16 | 1.3744 | .15033 | 3/4 | 8.6394 | 5.9396 | 1/2 | 26.704 | 56.745 | 19 | 59.690 | 283.53 | 31 | 97.389 | 754.77 |
| 29/64 | 1.4235 | .16126 | 13/16 | 8.8357 | 6.2126 | 5/8 | 27.096 | 58.426 | 1/4 | 60.476 | 291.04 | 1/4 | 98.175 | 766.99 |
| 15/32 | 1.4726 | .17257 | 7/8 | 9.0321 | 6.4918 | 3/4 | 27.489 | 60.132 | 1/2 | 61.261 | 298.65 | 1/2 | 98.960 | 779.31 |
| 31/64 | 1.5217 | .18427 | 15/16 | 9.2284 | 6.7771 | 7/8 | 27.882 | 61.862 | 3/4 | 62.046 | 306.35 | 3/4 | 99.746 | 791.73 |
| 1/2 | 1.5708 | .19635 | 3 | 9.4248 | 7.0686 | 9 | 28.274 | 63.617 | 20 | 62.832 | 314.16 | 32 | 100.531 | 804.25 |
| 17/32 | 1.6690 | .22166 | 1/8 | 9.8175 | 7.6699 | 1/8 | 28.667 | 65.397 | 1/4 | 63.617 | 322.06 | 1/4 | 101.316 | 816.86 |
| 9/16 | 1.7671 | .24850 | 1/4 | 10.210 | 8.2958 | 1/4 | 29.060 | 67.201 | 1/2 | 64.403 | 330.06 | 1/2 | 102.102 | 829.58 |
| 19/32 | 1.8653 | .27688 | 3/8 | 10.603 | 8.9462 | 3/8 | 29.452 | 69.029 | 3/4 | 65.188 | 338.16 | 3/4 | 102.887 | 842.39 |
| 5/8 | 1.9635 | .30680 | 1/2 | 10.996 | 9.6211 | 1/2 | 29.845 | 70.882 | 21 | 65.973 | 346.36 | 33 | 103.673 | 855.30 |
| 21/32 | 2.0617 | .33824 | 5/8 | 11.388 | 10.321 | 5/8 | 30.238 | 72.760 | 1/4 | 66.759 | 354.66 | 1/4 | 104.458 | 868.31 |
| 11/16 | 2.1598 | .37122 | 3/4 | 11.781 | 11.045 | 3/4 | 30.631 | 74.662 | 1/2 | 67.544 | 363.05 | 1/2 | 105.243 | 881.41 |
| 23/32 | 2.2580 | .40574 | 7/8 | 12.174 | 11.793 | 7/8 | 31.023 | 76.589 | 3/4 | 68.330 | 371.54 | 3/4 | 106.029 | 894.62 |
| 3/4 | 2.3562 | .44179 | 4 | 12.566 | 12.566 | 10 | 31.416 | 78.540 | 22 | 69.115 | 380.13 | 34 | 106.814 | 907.92 |
| 25/32 | 2.4544 | .47937 | 1/8 | 12.959 | 13.364 | 1/4 | 32.201 | 82.516 | 1/4 | 69.900 | 388.82 | 1/4 | 107.600 | 921.32 |
| 13/16 | 2.5525 | .51849 | 1/4 | 13.352 | 14.186 | 1/2 | 32.987 | 86.590 | 1/2 | 70.686 | 397.61 | 1/2 | 108.385 | 934.82 |
| 27/32 | 2.6507 | .55914 | 3/8 | 13.744 | 15.033 | 3/4 | 33.772 | 90.763 | 3/4 | 71.471 | 406.49 | 3/4 | 109.170 | 948.42 |
| 7/8 | 2.7489 | .60132 | 1/2 | 14.137 | 15.904 | 11 | 34.558 | 95.033 | 23 | 72.257 | 415.48 | 35 | 109.956 | 962.11 |
| 29/32 | 2.8471 | .64504 | 5/8 | 14.530 | 16.800 | 1/4 | 35.343 | 99.402 | 1/4 | 73.042 | 424.56 | 1/4 | 110.741 | 975.91 |
| 15/16 | 2.9452 | .69029 | 3/4 | 14.923 | 17.721 | 1/2 | 36.128 | 103.87 | 1/2 | 73.827 | 433.74 | 1/2 | 111.527 | 989.80 |
| 31/32 | 3.0434 | .73708 | 7/8 | 15.315 | 18.665 | 3/4 | 36.914 | 108.43 | 3/4 | 74.613 | 443.01 | 3/4 | 112.312 | 1003.8 |

| BASIC FORMULAS | | |
|---|---|---|
| FORMULA FOR: | WORD FORMULA | LETTER FORMULA |
| FLUID PRESSURE In Pounds/Square Inch | PRESSURE = $\frac{\text{FORCE (pounds)}}{\text{UNIT AREA (Square Inches)}}$ | $P = \frac{F}{A}$ or $\text{psi} = \frac{F}{A}$ |
| FLUID FLOW RATE In Gallons/Minute | FLOW RATE = $\frac{\text{VOLUME (Gallons)}}{\text{UNIT TIME (Minutes)}}$ | $Q = \frac{V}{T}$ |
| FLUID POWER In Horsepower | HORSEPOWER = $\frac{\text{PRESSURE (PSI)} \times \text{FLOW (GPM)}}{1714}$ | $HP = \frac{PQ}{1714}$ |
| FLUID FORMULAS | | |
| VELOCITY THROUGH PIPING In Feet/Second Velocity | VELOCITY = $\frac{.3208 \times \text{FLOW RATE THROUGH I.D. (GPM)}}{\text{INTERNAL AREA (Square Inches)}}$ | $V = \frac{.3208Q}{A}$ |
| COMPRESSIBILITY OF OIL In Additional Required Oil To Reach Pressure | ADDITIONAL VOLUME = $\frac{\text{PRESSURE (PSI)} \times \text{VOLUME OF OIL UNDER PRESSURE}}{250,000 \text{ (Approx.)}}$ | $VA = \frac{PV *}{250,000}$ * Approximately 1/2% per 1000 psi |
| COMPRESSIBILITY OF A FLUID | COMPRESSIBILITY = $\frac{1}{\text{BULK MODULUS OF THE FLUID}}$ | $C(\beta) = \frac{1}{BM}$ |
| SPECIFIC GRAVITY OF A FLUID | SPECIFIC GRAVITY = $\frac{\text{WEIGHT OF ONE CUBIC FOOT OF FLUID}}{\text{WEIGHT OF ONE CUBIC FOOT OF WATER}}$ | $SG = \frac{W}{62.4283}$ |
| VALVE (CV) FLOW FACTOR | VALVE FACTOR (CV) = $\frac{\text{FLOW RATE (GPM)} \times \sqrt{\text{SPECIFIC GRAVITY}}}{\text{PRESSURE DROP (PSI)}}$ | $CV = \frac{Q \sqrt{SG}}{\Delta P}$ |
| VISCOSITY IN CENTISTOKES | For Viscosities of 32 to 100 Saybolt Universal Seconds: CENTISTOKES = $.2253 \times \text{SUS} - \frac{194.4}{\text{SUS}}$ | $CS = .2253 \text{ SUS} - \frac{194.4}{\text{SUS}}$ |
| VISCOSITY IN CENTISTOKES | For Viscosities of 100 to 240 Saybolt Universal Seconds: CENTISTOKES = $.2193 \times \text{SUS} - \frac{134.6}{\text{SUS}}$ | $CS = .2193 \text{ SUS} - \frac{134.6}{\text{SUS}}$ |
| VISCOSITY IN CENTISTOKES | For Viscosities Greater Than 240 Saybolt Universal Seconds: CENTISTOKES = $\frac{\text{SUS}}{4.635}$ | $CS = \frac{\text{SUS}}{4.635}$ |
| NOTE: Saybolt Universal Seconds is often abbreviated SSU. | | |
| PUMP FORMULAS | | |
| PUMP OUTLET FLOW In Gallons/Minute | FLOW = $\frac{\text{RPM} \times \text{PUMP DISPLACEMENT (Cu. In./Rev.)}}{231}$ | $Q = \frac{nd}{231}$ |
| PUMP INPUT POWER In Horsepower Required | HORSEPOWER INPUT = $\frac{\text{FLOW RATE OUTPUT (GPM)} \times \text{PRESSURE (psi)}}{1714 \times \text{EFFICIENCY (Overall)}}$ | $HP_{IN} = \frac{QP}{1714 \text{ Eff}}$ or $\frac{\text{GPM} \times \text{psi}}{1714 \text{ Eff}}$ |
| PUMP EFFICIENCY Overall in Percent | OVERALL EFFICIENCY = $\frac{\text{OUTPUT HORSEPOWER}}{\text{INPUT HORSEPOWER}} \times 100$ | $\text{Eff}_{OV} = \frac{HP_{OUT}}{HP_{IN}} \times 100$ |
| | OVERALL EFFICIENCY = $\text{VOLUMETRIC Eff.} \times \text{MECHANICAL Eff.}$ | $\text{Eff}_{OV} = \text{Eff}_{VOL} \times \text{Eff}_{MECH.}$ |
| PUMP EFFICIENCY Overall in Percent | VOLUMETRIC EFFICIENCY = $\frac{\text{ACTUAL FLOW RATE OUTPUT (GPM)}}{\text{THEORETICAL FLOW RATE OUTPUT (GPM)}} \times 100$ | $\text{Eff}_{VOL} = \frac{O_{ACT.}}{O_{THEO.}} \times 100$ |
| PUMP EFFICIENCY Mechanical in Percent | MECHANICAL EFFICIENCY = $\frac{\text{THEORETICAL TORQUE TO DRIVE}}{\text{ACTUAL TORQUE TO DRIVE}} \times 100$ | $\text{Eff}_{MEC} = \frac{T_{THEO.}}{T_{ACT.}} \times 100$ |
| PUMP LIFE B_{10} BEARING LIFE | B_{10} HOURS OF BEARING LIFE = $\text{RATED LIFE HOURS} \times \frac{\text{RATED SPEED (RPM)}}{\text{NEW SPEED (RPM)}} \times \left(\frac{\text{RATED PRESSURE (PSI)}}{\text{NEW PRESSURE (PSI)}} \right)^3$ | $B_{10} = \text{RATED HRS.} \times \frac{\text{RPM}_R}{\text{RPM}_N} \times \left(\frac{\text{PR}}{\text{PN}} \right)^3$ |

| ACTUATOR FORMULAS | | |
|---|---|---|
| FORMULA FOR: | WORD FORMULA | LETTER FORMULA |
| CYLINDER AREA In Square Inches | AREA = $\pi \times \text{RADIUS}^2$ (Inches) | A = πr^2 |
| | = $\frac{\pi \times \text{DIAMETER}^2}{4}$ (Inches) | A = $\frac{\pi D^2}{4}$ or A = $.785D^2$ |
| CYLINDER FORCE In Pounds, Push or Pull | FORCE = PRESSURE (psi) X NET AREA (Square Inches) | F = psi X A or F = PA |
| CYLINDER VELOCITY or SPEED In Feet/Second | VELOCITY = $\frac{231 \times \text{FLOW RATE (GPM)}}{12 \times 60 \times \text{NET AREA (Square Inches)}}$ | F = $\frac{231Q}{720A}$ or V = $\frac{.3208Q}{A}$ |
| CYLINDER VOLUME CAPACITY In Gallons of Fluid | VELOCITY = $\frac{\pi \times \text{RADIUS}^2 \text{ (Inches)} \times \text{STROKE (Inches)}}{231}$ | V = $\frac{\pi r^2 l}{231}$ |
| | = $\frac{\text{NET AREA (Square Inches)} \times \text{STROKE (Inches)}}{231}$ | V = $\frac{A l}{231}$ l = Length of Stroke |
| CYLINDER FLOW RATE In Gallons Per Minute | FLOW RATE = $\frac{12 \times 60 \times \text{VELOCITY (Feet/Sec.)} \times \text{NET AREA (Sq. Inches)}}{231}$ | Q = $\frac{720vA}{231}$ or Q = $3.117vA$ |
| FLUID MOTOR TORQUE In Inch Pounds | TORQUE = $\frac{\text{PRESSURE (psi)} \times \text{F.M. DISPLACEMENT (Cu. In./Rev.)}}{2\pi}$ | T = $\frac{\text{psi } d}{2\pi}$ or T = $\frac{Pd}{2\pi}$ |
| | = $\frac{\text{HORSEPOWER} \times 63025}{\text{RPM}}$ | T = $\frac{63025 \text{ HP}}{n}$ |
| | = $\frac{\text{FLOW RATE (GPM)} \times \text{PRESSURE (psi)} \times 36.77}{\text{RPM}}$ | T = $\frac{36.77QP}{n}$ or T = $\frac{36.77Q\text{psi}}{n}$ |
| FLUID MOTOR TORQUE/100 psi In Inch Pounds | TORQUE/100 psi = $\frac{\text{F.M. DISPLACEMENT (Cu. Inches/Revolution)}}{.0628}$ | T _{100psi} = $\frac{d}{.0628}$ |
| FLUID MOTOR SPEED In Revolutions/Minute | SPEED = $\frac{231 \times \text{FLOW RATE (GPM)}}{\text{F.M. DISPLACEMENT (Cu. Inches/Revolution)}}$ | n = $\frac{231Q}{d}$ |
| FLUID MOTOR POWER In Horsepower Output | HORSEPOWER = $\frac{\text{TORQUE OUTPUT (Inch Pounds)} \times \text{RPM}}{63025}$ | HP = $\frac{Tn}{63025}$ |
| THERMAL FORMULAS | | |
| RESERVOIR COOLING CAPACITY Based on Adequate Air Circulation | HEAT (BTU/HR) = $2 \times \text{TEMPERATURE DIFFERENCE BETWEEN RESERVOIR WALLS AND AIR (°F)} \times \text{AREA OF RESERVOIR (Sq. Ft.)}$ | BTU/HR = $2.0 \times \Delta T \times A$ |
| HEAT IN HYDRAULIC OIL (approx.) Due to System Inefficiency (SG=.89-.92) | HEAT (BTU/HR) = FLOW RATE (GPM) X 210 X TEMPERATURE DIFFERENCE (°F) | BTU/HR = Q X 210 X ΔT |
| HEAT IN FRESH WATER (approx.) | HEAT (BTU/HR) = FLOW RATE (GPM) X 500 X TEMPERATURE DIFFERENCE (°F) | BTU/HR = Q X 500 X ΔT |
| NOTE: One British Thermal Unit (BTU) is the amount of heat required to raise the temperature of one pound of water one degree. One Horsepower = 2545 BTU/HR. | | |

ACCUMULATOR FORMULAS

| | | |
|--|--|---|
| PRESSURE or VOLUME w/ Constant "T" (Temperature) | ORIGINAL PRESSURE X ORIGINAL VOLUME = FINAL PRESSURE X FINAL VOLUME | $P_1 V_1 = P_2 V_2$ Isothermic |
| PRESSURE or TEMPERATURE w/ Constant "V" (Volume) | ORIGINAL PRESSURE X FINAL TEMPERATURE = FINAL PRESSURE X ORIGINAL TEMPERATURE | $P_1 T_2 = P_2 T_1$ Isochoric |
| VOLUME or TEMPERATURE w/ Constant "P" (Pressure) | ORIGINAL VOLUME X FINAL TEMPERATURE = FINAL VOLUME X ORIGINAL TEMPERATURE | $V_1 T_2 = V_2 T_1$ Isobaric |
| PRESSURE or VOLUME | ORIGINAL PRESSURE X ORIGINAL VOLUME ⁿ = FINAL PRESSURE X FINAL VOLUME ⁿ | $P_1 V_1^n = P_2 V_2^n$ |
| w/ Temperature Change Due to Heat of Compression | FINAL TEMP. ORIG. TEMP. = $\left(\frac{\text{ORIG. VOLUME}}{\text{FINAL VOLUME}}\right)^{n-1} = \left(\frac{\text{FINAL PRESSURE}}{\text{ORIG. PRESSURE}}\right)^{n-1/n}$ | $\frac{T_2}{T_1} = \left(\frac{V_1}{V_2}\right)^{n-1} = \left(\frac{P_2}{P_1}\right)^{n-1/n}$ |

NOTE: Where "P" = psia (ABSOLUTE) = psig (GAUGE PRESSURE) + 14.7 psi and n= 1.4 for air.

VOLUME & CAPACITY EQUIVALENTS

| | Cubic Inches | Cubic Feet | Cubic Yards | Liters | U.S. Gallons | Imperial Gallons | Water at Max. Density 39.2°F 4°C | |
|--------------|--------------|------------|-------------|---------|--------------|------------------|-------------------------------------|--------------------|
| | | | | | | | Pounds of Water | Kilograms of Water |
| Cu Inches | 1 | .0005787 | .00002143 | .016384 | .004329 | .0036065 | .0361275 | .0163872 |
| Cu Feet | 1728 | 1 | .037037 | 28.317 | 7.48052 | 6.23210 | 62.4283 | 28.3170 |
| Cu Yards | 46,656 | 27 | 1 | 764.56 | 201.974 | 168.266 | 1685.56 | 764.559 |
| Liters | 61.0234 | .0353145 | .001308 | 1 | .264170 | .220083 | 2.20462 | 1 |
| U.S. Gallons | 231 | .133681 | .004951 | 3.78543 | 1 | .833111 | 8.34545 | 3.78543 |
| Imp. Gallons | 277.274 | .160459 | .0059429 | 4.54374 | 1.20032 | 1 | 10.0172 | 4.54373 |
| Lbs Water | 27.6798 | .0160184 | .0005929 | .453592 | .119825 | .0998281 | 1 | .453593 |

| To Convert | Into | Multiply By |
|------------------|---------------------|-------------------------|
| Atmospheres | cm Mercury | 76.009 |
| Atmospheres | ft. Water (39°F) | 33.899 |
| Atmospheres | in. Mercury | 29.925 |
| Atmospheres | kgf / Sq. cm | 1.0332 |
| Atmospheres | kgf / Sq. Meter | 10.332×10 ³ |
| Atmospheres | psi (lb. / Sq. in.) | 14.696 |
| Bar | Atmospheres | 986.92×10 ⁻³ |
| Bar | Newtons / Sq. Meter | 100.0×10 ³ |
| Bar | psi (lb. / Sq. in.) | 14.504 |
| Barrels (oil) | Gallons, U.S. | 42.0 |
| BTU | Calories | 252.16 |
| BTU | ft.-lb. | 778.17 |
| BTU | hp-hr. | 393.01×10 ⁻⁶ |
| BTU | kgf Meters | 107.59 |
| BTU | kW-hr. | 293.07×10 ⁻⁶ |
| BTU / min. | ft.-lb. / sec. | 12.969 |
| BTU / min. | Horsepower | 23.581×10 ⁻³ |
| BTU / min. | Kilowatts | 17.584×10 ⁻³ |
| BTU / min. | Watts | 17.584 |
| Centimeters | Inches | 393.7×10 ⁻³ |
| Centimeters | Meters | 10.0×10 ⁻³ |
| Centimeters | Millimeters | 10.0 |
| cm / sec. | ft. / min. | 1.9685 |
| cm / sec. | ft. / sec. | 32.808×10 ⁻³ |
| cm / sec. | km / hr. | 36.0×10 ⁻³ |
| cm / sec. | Meters / min. | 600.0×10 ⁻³ |
| cm / sec. | Miles / min. | 372.82×10 ⁻⁶ |
| cm / sec. | mph (mi. / hr.) | 22.369×10 ⁻³ |
| cm / sec. / sec. | ft. / sec. / sec. | 32.808×10 ⁻³ |
| cm Mercury | Atmospheres | 13.156×10 ⁻³ |
| cm Mercury | ft. Water (39°F) | 445.98×10 ⁻³ |
| cm Mercury | kgf / Sq. Meter | 135.94 |
| cm Mercury | lb. / Sq. ft. | 27.842 |
| cm Mercury | psi (lb. / Sq. in.) | 193.35×10 ⁻³ |
| Cubic cm | Cubic Feet | 35.315×10 ⁻⁶ |
| Cubic cm | Cubic Inches | 61.024×10 ⁻³ |
| Cubic cm | Cubic Meters | 1.0×10 ⁻⁶ |
| Cubic cm | Cubic Yards | 1.308×10 ⁻⁶ |
| Cubic cm | Gallons, U.S. | 264.17×10 ⁻⁶ |
| Cubic cm | Liters | 1.0×10 ⁻³ |
| Cubic cm | Pints (liq) | 2.1134×10 ⁻³ |
| Cubic cm | Quarts (liq) | 1.0567×10 ⁻³ |
| Cubic Feet | Cubic cm | 28.317×10 ³ |
| Cubic Feet | Cubic Inches | 1.728×10 ³ |
| Cubic Feet | Cubic Meters | 28.317×10 ⁻³ |
| Cubic Feet | Cubic Yards | 37.037×10 ⁻³ |
| Cubic Feet | Gallons, U.S. | 7.4805 |
| Cubic Feet | Liters | 28.317 |
| Cubic Feet | Pints (liq) | 59.844 |
| Cubic Feet | Quarts (liq) | 29.922 |

| To Convert | Into | Multiply By |
|-------------------|----------------------|-------------------------|
| Cubic ft. / min | Cubic cm / sec. | 471.95 |
| Cubic ft. / min | gal. / min. | 7.4805 |
| Cubic ft. / min | gal. / sec. | 124.68×10 ⁻³ |
| Cubic ft. / min | lb. Water / min. | 62.428 |
| Cubic ft. / min | Liters / sec. | 471.95×10 ⁻³ |
| Cubic Inches | Cubic cm | 16.387 |
| Cubic Inches | Cubic Feet | 578.7×10 ⁻⁶ |
| Cubic Inches | Cubic Meters | 16.387×10 ⁻⁶ |
| Cubic Inches | Cubic Yards | 21.433×10 ⁻⁶ |
| Cubic Inches | Gallons, U.S. | 4.329×10 ⁻³ |
| Cubic Inches | Liters | 16.387×10 ⁻³ |
| Cubic Inches | Pints (liq) | 34.632×10 ⁻³ |
| Cubic Inches | Quarts (liq) | 17.316×10 ⁻³ |
| Cubic Meters | Cubic cm | 1.0×10 ⁶ |
| Cubic Meters | Cubic Feet | 35.315 |
| Cubic Meters | Cubic Inches | 61.024×10 ³ |
| Cubic Meters | Cubic Yards | 1.308 |
| Cubic Meters | Gallons, U.S. | 264.17 |
| Cubic Meters | Liters | 1.0×10 ³ |
| Cubic Meters | Pints (liq) | 2.1134×10 ³ |
| Cubic Meters | Quarts (liq) | 1.0567×10 ³ |
| Cubic Yards | Cubic cm | 764.55×10 ³ |
| Cubic Yards | Cubic Feet | 27.0 |
| Cubic Yards | Cubic Inches | 46.656×10 ³ |
| Cubic Yards | Cubic Meters | 764.55×10 ⁻³ |
| Cubic Yards | Gallons, U.S. | 201.97 |
| Decimeters | Meters | 100.0×10 ⁻³ |
| Degrees (angle) | Minutes (angle) | 60.0 |
| Degrees (angle) | Radians | 17.453×10 ⁻³ |
| Degrees (angle) | Seconds (angle) | 3.6×10 ³ |
| Degrees / sec. | Radians / sec. | 17.453×10 ⁻³ |
| Degrees / sec. | rpm (Rev. / min.) | 16.667×10 ⁻³ |
| Degrees / sec. | rpm (Rev. / min.) | 2.7778×10 ⁻³ |
| Feet | Centimeters | 30.48 |
| Feet | Inches | 12.0 |
| Feet | Meters | 304.8×10 ⁻³ |
| Feet | Yards | 333.33×10 ⁻³ |
| ft. / min. | cm / sec. | 508.0×10 ⁻³ |
| ft. / min. | ft. / sec. | 16.667×10 ⁻³ |
| ft. / min. | km / hr. | 18.288×10 ⁻³ |
| ft. / min. | Meters / min. | 304.8×10 ⁻³ |
| ft. / min. | mph (mi. / hr.) | 11.364×10 ⁻³ |
| ft. / sec. / sec. | cm. / sec. / sec. | 30.48 |
| ft. / sec. / sec. | Meters / sec. / sec. | 304.8×10 ⁻³ |
| ft. Water (39°F) | Atmospheres | 29.5×10 ⁻³ |
| ft. Water (39°F) | in. Mercury | 882.77×10 ⁻³ |
| ft. Water (39°F) | kgf / Sq. cm | 30.48×10 ⁻³ |
| ft. Water (39°F) | lb. / Sq. ft. | 62.428 |
| ft. Water (39°F) | psi (lb. / Sq. in.) | 433.53×10 ⁻³ |
| ft.-lb. | BTU | 1.2851×10 ⁻³ |

| To Convert | Into | Multiply By |
|-------------------|---------------------|-------------------------|
| ft.-lb. | Calories | 324.05×10^{-3} |
| ft.-lb. | hp-hr. | 505.05×10^{-9} |
| ft.-lb. | kgf-Meters | 138.25×10^{-3} |
| ft.-lb. | kW-hr. | 376.62×10^{-9} |
| ft.-lb. | Newton-meters | 1.3558 |
| ft.-lb. / min. | BTU / min. | 1.2851×10^{-3} |
| ft.-lb. / min. | Calories / min. | 324.05×10^{-3} |
| ft.-lb. / min. | ft.-lb. / sec. | 16.667×10^{-3} |
| ft.-lb. / min. | Horsepower | 30.303×10^{-6} |
| ft.-lb. / min. | Kilowatts | 22.597×10^{-6} |
| ft.-lb. / sec. | BTU / min. | 77.104×10^{-3} |
| ft.-lb. / sec. | Calories / min. | 19.443 |
| ft.-lb. / sec. | Horsepower | 1.8182×10^{-3} |
| ft.-lb. / sec. | Kilowatts | 1.3558×10^{-3} |
| gal. / min. | Cubic ft. / hr. | 8.0208 |
| gal. / min. | Cubic ft. / sec. | 2.228×10^{-3} |
| gal. / min. | Liters / sec. | 63.09×10^{-3} |
| gal. Water (39°F) | lb. Water (39°F) | 8.3454 |
| Gallons, Imp. | Gallons, U.S. | 1.201 |
| Gallons, U.S. | Cubic cm | 3.7854×10^3 |
| Gallons, U.S. | Cubic Feet | 133.68×10^{-3} |
| Gallons, U.S. | Cubic Inches | 231.0 |
| Gallons, U.S. | Cubic Meters | 3.7854×10^{-3} |
| Gallons, U.S. | Gallons, Imp. | 832.67×10^{-3} |
| Gallons, U.S. | Liters | 3.7854 |
| Gallons, U.S. | Pints (liq) | 8.0 |
| Gallons, U.S. | Quarts (liq) | 4.0 |
| Horsepower | BTU / min. | 42.407 |
| Horsepower | Calories / min. | 10.694×10^3 |
| Horsepower | ft.-lb. / min. | 33.0×10^3 |
| Horsepower | ft.-lb. / sec. | 550.0 |
| Horsepower | Kilowatts | 745.7×10^{-3} |
| Horsepower | Metric Horsepower | 1.0139 |
| Horsepower | Watts | 745.7 |
| hp.-hr. | BTU | 2.5444×10^3 |
| hp.-hr. | Calories | 641.62×10^3 |
| hp.-hr. | ft.-lb. | 1.98×10^6 |
| hp.-hr. | kgf-Meters | 273.74×10^3 |
| hp.-hr. | kW-hr. | 745.7×10^{-3} |
| in. Mercury | Atmospheres | 33.417×10^{-3} |
| in. Mercury | ft. Water (39°F) | 1.1328 |
| in. Mercury | kgf / Sq. cm | 34.528×10^{-3} |
| in. Mercury | lb. / Sq. ft. | 70.718 |
| in. Mercury | psi (lb. / Sq. in.) | 491.1×10^{-3} |
| in. Water (39°F) | Atmospheres | 2.4583×10^{-3} |
| in. Water (39°F) | in. Mercury | 73.564×10^{-3} |
| in. Water (39°F) | kgf / Sq. cm | 2.54×10^{-3} |
| in. Water (39°F) | lb. / Sq. ft. | 5.2023 |
| in. Water (39°F) | psi (lb. / Sq. in.) | 36.127×10^{-3} |
| in.-lb. | Newton-meters | 112.98×10^{-3} |

| To Convert | Into | Multiply By |
|------------------|----------------------|-------------------------|
| Inches | Centimeters | 2.54 |
| Inches | Millimeters | 25.4 |
| kg force / sq cm | Atmospheres | 967.84×10^{-3} |
| kg force / sq cm | ft. Water (39°F) | 32.808 |
| kg force / sq cm | in. Mercury | 28.962 |
| kg force / sq cm | lb. / Sq. ft. | 2.0482×10^3 |
| kg force / sq cm | psi (lb. / Sq. in.) | 14.223 |
| Kilograms | Dyne | 980.66×10^3 |
| Kilograms | Grams | 1.0×10^3 |
| Kilograms | Pounds | 2.2046 |
| Kilograms | Tons, Short | 1.1023×10^{-3} |
| Kilometers | Centimeters | 100.0×10^3 |
| Kilometers | Feet | 32.808×10^6 |
| Kilometers | Meters | 1.0×10^3 |
| Kilometers | Miles | 621.37×10^{-3} |
| Kilowatts | BTU / min. | 56.869 |
| Kilowatts | Calories / min. | 14.34×10^3 |
| Kilowatts | ft.-lb. / min. | 44.254×10^3 |
| Kilowatts | ft.-lb. / sec. | 737.56 |
| Kilowatts | Horsepower | 1.341 |
| Kilowatts | Watts | 1.0×10^3 |
| km / hr. | cm / sec. | 27.778 |
| km / hr. | ft. / min. | 54.681 |
| km / hr. | ft. / sec. | 911.34×10^{-3} |
| km / hr. | Meters / min. | 16.667 |
| km / hr. | mph (mi. / hr.) | 621.37×10^{-3} |
| km / hr. / sec. | cm. / sec. / sec. | 27.778 |
| km / hr. / sec. | ft. / sec. / sec. | 911.34×10^{-3} |
| km / hr. / sec. | Meters / sec. / sec. | 277.78×10^{-3} |
| kW-hr. | BTU | 3.4121×10^3 |
| kW-hr. | Calories | 860.42×10^3 |
| kW-hr. | ft.-lb. | 2.6552×10^6 |
| kW-hr. | hp-hr. | 1.341 |
| kW-hr. | kgf-Meters | 367.1×10^3 |
| lb. / Cubic ft. | lb. / Cubic in. | 578.7×10^{-6} |
| lb. / Cubic in. | lb. / Cubic ft. | 1.728×10^3 |
| lb. Water (39°F) | Cubic Feet | 16.018×10^{-3} |
| lb. Water (39°F) | Cubic Inches | 27.68 |
| lb. Water (39°F) | Gallons, U.S. | 119.83×10^{-3} |
| lb. Water / min. | Cubic ft. / sec. | 266.97×10^{-6} |
| Liters | Cubic cm | 1.0×10^3 |
| Liters | Cubic Feet | 35.315×10^{-3} |
| Liters | Cubic Inches | 61.024 |
| Liters | Cubic Meters | 1.0×10^{-3} |
| Liters | Gallons, U.S. | 264.17×10^{-3} |
| Liters | Quarts (liq) | 1.0567 |
| Liters / min. | gal. / sec. | 4.4029×10^{-3} |
| Meters | Centimeters | 100.0 |
| Meters | Feet | 3.2808 |
| Meters | Inches | 39.37 |

| To Convert | Into | Multiply By |
|---------------------|------------------|-------------------------|
| Meters | Kilometers | 1.0×10^{-3} |
| Meters | Millimeters | 1.0×10^3 |
| Meters / min. | cm / sec. | 1.6667 |
| Meters / min. | ft. / min. | 3.2808 |
| Meters / min. | ft. / sec. | 54.681×10^{-3} |
| Meters / min. | km / hr. | 60.0×10^{-3} |
| Meters / min. | mph (mi. / hr.) | 37.282×10^{-3} |
| Meters / sec. | ft. / min. | 196.85 |
| Meters / sec. | ft. / sec. | 3.2808 |
| Meters / sec. | km / hr. | 3.6 |
| Meters / sec. | km / min. | 60.0×10^{-3} |
| Meters / sec. | Miles / min. | 37.282×10^{-3} |
| Meters / sec. | mph (mi. / hr.) | 2.2369 |
| Microns | Inches | 39.37×10^{-6} |
| Microns | Meters | 1.0×10^{-6} |
| Millimeters | Centimeters | 100.0×10^{-3} |
| Millimeters | Inches | 39.37×10^{-3} |
| Minutes (Angle) | Radians | 290.89×10^{-6} |
| mph (mi. / hr.) | cm / sec. | 44.704 |
| mph (mi. / hr.) | ft. / min. | 88.0 |
| mph (mi. / hr.) | ft. / sec. | 1.4667 |
| mph (mi. / hr.) | km / hr. | 1.6093 |
| mph (mi. / hr.) | Meters / min. | 26.822 |
| Newtons | Kilograms force | 101.97×10^{-3} |
| Ounces | Grams | 28.35 |
| Ounces | Pounds | 62.5×10^{-3} |
| Ounces, Fluid | Cubic Inches | 1.8047 |
| Ounces, Fluid | Liters | 29.574×10^{-3} |
| Pounds | Grams | 453.59 |
| Pounds | Kilograms | 453.59×10^{-3} |
| Pounds | Newtons | 4.4482 |
| Pounds | Ounces | 16.0 |
| Pounds | Tons, Short | 500.0×10^{-6} |
| psi (lb. / Sq. in.) | Atmospheres | 68.046×10^{-3} |
| psi (lb. / Sq. in.) | ft. Water (39°F) | 2.3067 |
| psi (lb. / Sq. in.) | in. Mercury | 2.0363 |
| psi (lb. / Sq. in.) | kgf / Sq. cm | 70.307×10^{-3} |
| Radians | Degrees (angle) | 57.296 |
| Tons, Long | Kilograms | 1.016×10^3 |
| Tons, Long | Pounds | 2.24×10^3 |
| Tons, Long | Tons, Short | 1.12 |
| Tons, Metric | Pounds | 2.2046×10^3 |
| Tons, Short | Kilograms | 907.18 |
| Tons, Short | Tons, Long | 892.86×10^{-3} |
| Tons, Short | Tons, Metric | 907.18×10^{-3} |
| Watt-hr. | BTU | 3.4121 |
| Watt-hr. | Calories | 860.42 |
| Watt-hr. | ft.-lb. | 2.6552×10^3 |
| Watt-hr. | hp-hr. | 1.341×10^{-3} |
| Watt-hr. | kgf-Meters | 367.1 |

| To Convert | Into | Multiply By |
|------------|-----------------|-------------------------|
| Watt-hr. | kW-hr. | 1.0×10^{-3} |
| Watts | BTU / min. | 56.869×10^{-3} |
| Watts | Calories / min. | 14.34 |
| Watts | ft.-lb. / min. | 44.254 |
| Watts | ft.-lb. / sec. | 737.56×10^{-3} |
| Watts | Horsepower | 1.341×10^{-3} |
| Watts | Kilowatts | 1.0×10^{-3} |

Approximate Weights of Materials

| Material | lbs. / cu. yd. | tons / cu. yd. | Material | lbs. / cu. yd. | tons / cu. yd. |
|-----------------------|----------------|----------------|----------------------|----------------|----------------|
| Andesite stone | 4,887 | 2.44 | Earth & sand, wet | 3,240 | 1.62 |
| Ashes | 1,080 | 0.52 | Fire Brick | 3,915 | 1.95 |
| Asphalt | 2,700 | 1.35 | Fire Clay | 3,510 | 1.75 |
| Asphaltum | 2,349 | 1.17 | Garbage | 1,150 | 0.57 |
| Basalt rock | 4,887 | 2.44 | Gravel, dry | 2,970 | 1.48 |
| Brick, soft clay | 2,718 | 1.35 | Gravel, out of water | 1,620 | 0.81 |
| Brick, hard clay | 3,397 | 1.69 | Granite | 4,536 | 2.26 |
| Brick, pressed | 3,806 | 1.90 | Lime, quick, loose | 1,431 | 0.71 |
| Brick, paving | 4,246 | 2.12 | Lime, quick, shaken | 1,485 | 0.70 |
| Block, paving | 3,694 | 1.84 | Limestone, solid | 4,400 | 2.20 |
| Bluestone | 2,970 | 1.48 | Limestone, loose | 2,592 | 1.29 |
| Cement, natural | 1,512 | 0.75 | Marble, solid | 4,455 | 2.22 |
| Cement, Portland | 2,430 | 1.21 | Marble, loose | 2,592 | 1.29 |
| Cement, Portland, set | 4,941 | 2.47 | Mortar, set | 2,781 | 1.39 |
| Cement, Rosendale | 1,863 | 0.93 | Mud, dry | 2,430 | 1.21 |
| Cinders | 1,080 | 0.54 | Mud, packed | 3,105 | 1.55 |
| Clay, dry | 1,701 | 0.85 | Mud, wet | 2,916 | 1.45 |
| Clay, wet | 2,970 | 1.48 | Pitch | 1,863 | 0.93 |
| Clay & gravel, dry | 2,700 | 1.35 | Plaster of Paris | 2,646 | 1.32 |
| Coal, anthracite | 1,536 | 0.76 | Powder, blasting | 1,682 | 0.84 |
| Coal, bituminous | 1,275 | 0.64 | Quartz | 4,374 | 2.18 |
| Coke | 837 | 0.42 | Rubbish | 199.8 | 0.09 |
| Concrete, cinders | 2,970 | 1.48 | Sand, dry, loose | 2,619 | 1.30 |
| Concrete, gravel | 4,104 | 2.05 | Sand, wet | 3,186 | 1.59 |
| Concrete, limestone | 4,050 | 2.02 | Sandstone | 4,023 | 2.01 |
| Concrete, sandstone | 3,915 | 1.95 | Slag, blank | 1,890 | 0.94 |
| Concrete, trap rock | 4,185 | 2.09 | Slag, screenings | 2,700 | 1.35 |
| Crushed stone | 2,700 | 1.35 | Slag, machine | 2,592 | 1.29 |
| Earth, dry, loose | 1,890 | 0.94 | Slag, sand | 1,485 | 0.74 |
| Earth, damp, loose | 2,106 | 1.05 | Shale | 4,374 | 2.18 |
| Earth, damp, packed | 2,592 | 1.29 | Slate | 4,725 | 2.31 |
| Earth & gravel, dry | 2,700 | 1.35 | Tar | 1,674 | 0.83 |
| Earth & gravel, wet | 3,240 | 1.62 | Tile | 2,970 | 1.43 |
| Earth & sand, dry | 2,709 | 1.35 | Trap stone | 5,849 | 2.52 |

Steel & Aluminum Gauge, Thickness and Weight

| Gauge | Thickness (inches) | Weight (lbs./ft ²) |
|-----------------------|--------------------|--------------------------------|
| Steel | | |
| 3/8" | 0.375 | 15.320 |
| 1/4" (approx. 3 Ga.) | 0.250 | 10.200 |
| 3/16" (approx. 7 Ga.) | 0.188 | 7.650 |
| 8 Ga. | 0.164 | 6.875 |
| 9 Ga. | 0.149 | 6.250 |
| 10 Ga. | 0.134 | 5.625 |
| 11 Ga. | 0.120 | 5.000 |
| 12 Ga. | 0.105 | 4.375 |
| 13 Ga. | 0.090 | 3.750 |
| 14 Ga. | 0.075 | 3.125 |
| Aluminum | | |
| 3/8" | 0.375 | 5.18 |
| 1/4" | 0.250 | 3.53 |
| 3/16" | 0.188 | 2.65 |
| 5/32" | 0.156 | 2.25 |